

\* ON 5412764

TODC  
POWER SUPPLY

LA H7111-0-0  
REV 1/71

LA H7111-0-0

LINE ITEM	DOCUMENT NUMBER	PART NUMBER	DESCRIPTION	QUANTITY PER VARIATION	
				A	B
	D-AD-7013880-0-0	7013880-00	CHASSIS ASSY WELDMENT	1	1
	D-MD-7418457-0-0	7418457-00	COVER	1	1
	D-UA-5412753-0-0	5412753-00	BATTERY CHARGER TOD	1	1
	C-IA-7014080-0-0	7014080-00	TRANSFORMER ASSY	1	1
	C-IA-7014084-0-0	7014084-0F	CABLE ASSY	1	1
	C-IA-7014058-0-0	7014058-03	POWER CORD ASSY (H7111) 5FEET 24	0	1
		1214032-00	SW TOG 4P 5A ON/NONE/ON	1	1
		1212893-00	FUSE HOLDER, 20A, 300V, PNL MNT	1	1
		1212499-01	BATTERY, 12V 5A LEAD ACID	1	1
	C-IA-7014160-0-0	7014160-00	JUMPER	1	1
		1205303-00	LAMP, PILOT IND DEVICES #1020A	1	1
		9008274-00	FOAM, TAPE 3/8" X 3/8" BLACK	A/R	A/R
		9008264-00	MOUNT, CABLE TIE, ADHESIVE BACKE	1	1
	C-IA-7014058-0-0	7014058-02	POWER CORD ASSY (H7111) 5FEET 12	1	0
		9006902-00	TERM BLOCK 4POS 7/16 SPACING	1	1
		9008527-00	FUSE, SLO BLO 1/8 A, 250V GLASS	1	1
		9007929-00	TERM, RING #5, 6STUD CRIMP 16-2	1	1
		9006021-01	SCREW, PAN, PHIL 6-32X 5/16 SS	3	3
		9007794-01	SCREW, PAN, PHIL 6-32X 11/16SS	2	2
		9006560-00	NUT, KEP 6-32X 5/16AF	2	2
		9006565-00	NUT, KEP 10-32X 3/8 AF	2	2
		1211375-02	CARD GUIDE (2.5") SINGLE RUNG	1	1
		9107810-11	WIRE, STRND, 20AWG, IPVC (UL1430)	A/R	A/R
		9107810-66	WIRE, STRND, 20AWG, IPVC (UL1430)	A/R	A/R
		3612630-00	DECAL, GROUND SIGN PER 3E6 *	1	1
		9007031-00	TIE, CABLE BUNDL, DIA 0- 3/4"=101	1	1
		3614530-00	DECAL, ADH BACK FOR H7111, 115V	1	1
		3614530-01	DECAL, ADH BACK FOR H7111, 230V	0	1
		9107714-00	TUBING, SHRINK 3/32DIA EXP UL	A/R	A/R
		9007801-00	WASHER, LOCK, S.S. #6	3	3

REVISION HISTORY		BASIC PART NO: H7111		DRN: M. DUGGAN	DATE: 29-MAR-77	D I G I T A L	
ENG:	ECO NUMBER	REV	SECTION A OF A	CHK'D: D. MARTEL	DATE: 17-SEP-77	TITLE PARTS LIST	
	INITIAL		SECTION, VARIATION INDEX	DES. ENG.: R. KENNEDY	DATE: 17-SEP-77	DOCUMENT NUMBER	
	K.K.H7111-TW006	F	(A) A, B	RESP. ENG.: J. DREW	DATE: 17-SEP-77	SIZE: CODE:	NUMBER REV
			(B)	MFG. ENG.: E. BLAIR	DATE: 16-SEP-77	K	PL H7111-0-DBP F
			(C)	ASSEMBLY NUMBER:	TOP DOCUMENT NUMBER:	FILE NAME: EDIT #	
			(D)	E-UA-H7111-0-0		Z2984F.PLS 8	
			(E)	"THIS DRAWING AND SPECIFICATIONS HEREIN, ARE THE PROPERTY OF DIGITAL EQUIPMENT CORPORATION AND SHALL NOT BE REPRODUCED OR COPIED OR USED IN WHOLE OR IN PART AS THE BASIS FOR THE MANUFACTURE OR SALE OF ITEMS WITHOUT WRITTEN PERMISSION. COPYRIGHT (C) 1982. DIGITAL EQUIPMENT CORPORATION"			
			(F)				

AUTOMATED BY PRTLST.3P(44)

P A R T S L I S T

SHEET 02 OF 02

LINE	ITEM	DOCUMENT NUMBER	PART NUMBER	DESCRIPTION	QUANTITY PER VARIATION	
					A	B
31	31		9006653-00	WASHER, FLAT, .375 O.D. X .156 I	3	3
32	32		9007651-00	WASHER, LOCK, EXTERNAL TOOTH #10	2	2
33	33		9009255-01	LABEL, POWER SUPPLY, 2-7/8" LG X	1	1
34	34	BLANK			0	0
35	35		3612063-00	LABEL, ADHESIVE I.D. FOR UL C	1	1
36	36		3615596-00	LABEL, BATTERY DISCHARGE WARNING	1	1
37	37		1216542-00	TERM. QUICK .090TAB CRIMP 20-2	4	4
38	38	BLANK		TUBING SHRINK 1/8 DIA. EXP UL	-	A/R
39	39		3613211-01	DECAL, CLEAR PREPRINTED CSA 1-1/4	1	1
40	40		9010164-00	WASHER, FLAT, .380 OD X .203 ID	4	4
41	41		9107254-00	TUBING SHRINK 3/16 DIA. EXP UL	A/R	A/R
42	42	BLANK		*** THIS ITEM IS NOT USED ***	-	-

\*\*\*\*\* RELEASABLE \*\*\*\*\*

D	I	G	I	T	A	L	TITLE	SECTION A OF A	SIZE	CODE	DOCUMENT NUMBER	RE
							TDC POWER SUPPLY		K	PL	H7111-0-DBP	F

This document contains confidential proprietary information of DEC. This information shall not be disclosed to persons outside the employ of DEC, except by DEC personnel so authorized by DEC, and only for use by such other persons in the design, production or manufacture of products for DEC. Copyright © Digital Equipment Corporation.

DIGITAL EQUIPMENT CORPORATION MAYNARD, MASSACHUSETTS						
ENGINEERING SPECIFICATION				DATE 3/10/77		
TITLE H7111 Engineer Specification						
REVISIONS						
REV	DESCRIPTION	CHG NO	ORIG	DATE	APPD BY	DATE
<p>1.0 <u>DESCRIPTION</u></p> <p>This unit has a stepdown transformer, regulator board and a 5 Amp hour sealed lead acid battery. The function of this unit is to provide uninterrupted power to a time of day clock. The space required is 3 1/2" in a standard 19" rack by 6" deep.</p> <p>2.0 <u>ELECTRICAL</u></p> <p>2.1 Inputs: (Ref. DEC Std. 002,123,102)</p> <p>2.1.1 Current: 0.1 Amp Max RMS</p> <p>2.1.2 Voltage: 90 to 128V RMS (H7111A) 180 to 256V RMS (H7111B)</p> <p>2.1.3 Frequency: 47 to 63 Hz</p> <p>2.1.4 Protection: 1/8 Amp slow blow fuse</p> <p>2.2 Outputs</p> <p>2.2.1 5VDC <math>\pm 5\%</math> 0 to 25 MA</p> <p>2.2.2 BAT DCLO (Battery voltage Low) High State 4 to 4.5 VDC Low State less than 0.4VDC sink 4 Ma Max.</p> <p>2.2.3 Connections: 6 Pin universal mate-n-lok. Connector Pin 2 is +5, Pin 4 is ground and Pin 6 is BAT DCLO.</p> <p>2.2.4 Timing: See timing diagram</p> <p>3.0 <u>ENVIRONMENTAL</u></p> <p>3.1 Class C Ref. DEC Std. 102</p>						
ENG <i>R. Kennedy</i>	APPD <i>R. Kennedy</i>	DATE 3/24/77	SIZE A	CODE SP	NUMBER H7111-0-4	REV

DEC 16-(392)-1079A-R03  
DRA 107A

SHEET 1 OF 3

ENGINEERING SPECIFICATION				CONTINUATION SHEET		
TITLE H711 Engineer Specification						
<p>4.0 <u>Mechanical:</u></p> <p>4.1 Size 21" by 3 1/2" high by 4 1/2" deep.</p> <p>4.2 Weight: 5 lbs. MAX</p>						
SIZE A	CODE SP	NUMBER H7111-0-4	REV			

DEC FORM NO DEC 16-(381)-1022-N370  
DRA 108

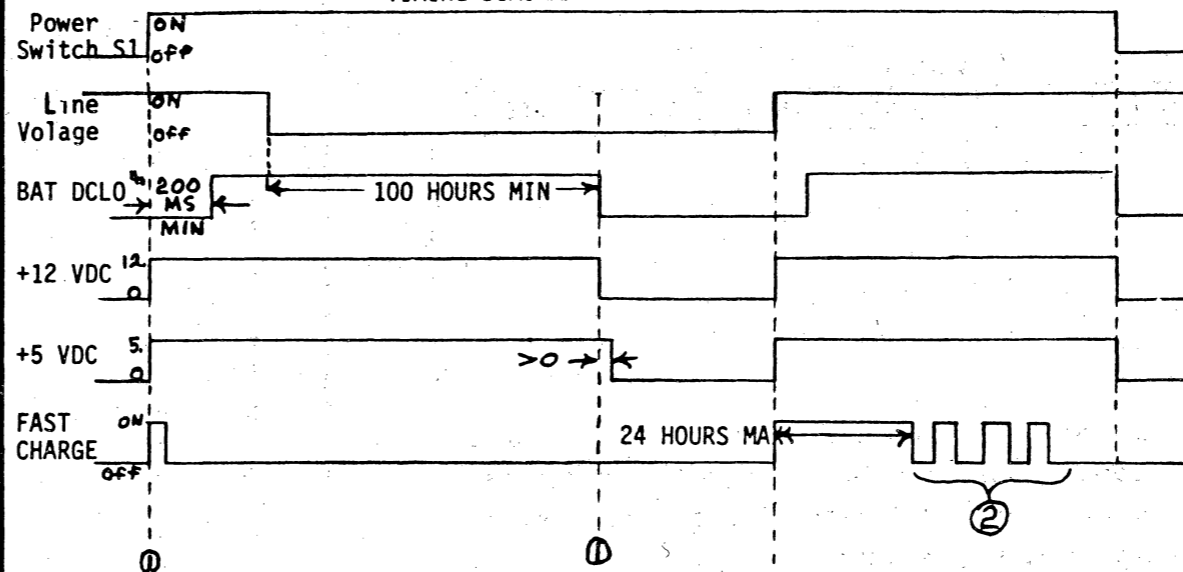
SHEET 2 OF 3

ENGINEERING SPECIFICATION

CONTINUATION SHEET

TITLE H7111 Engineering Specification

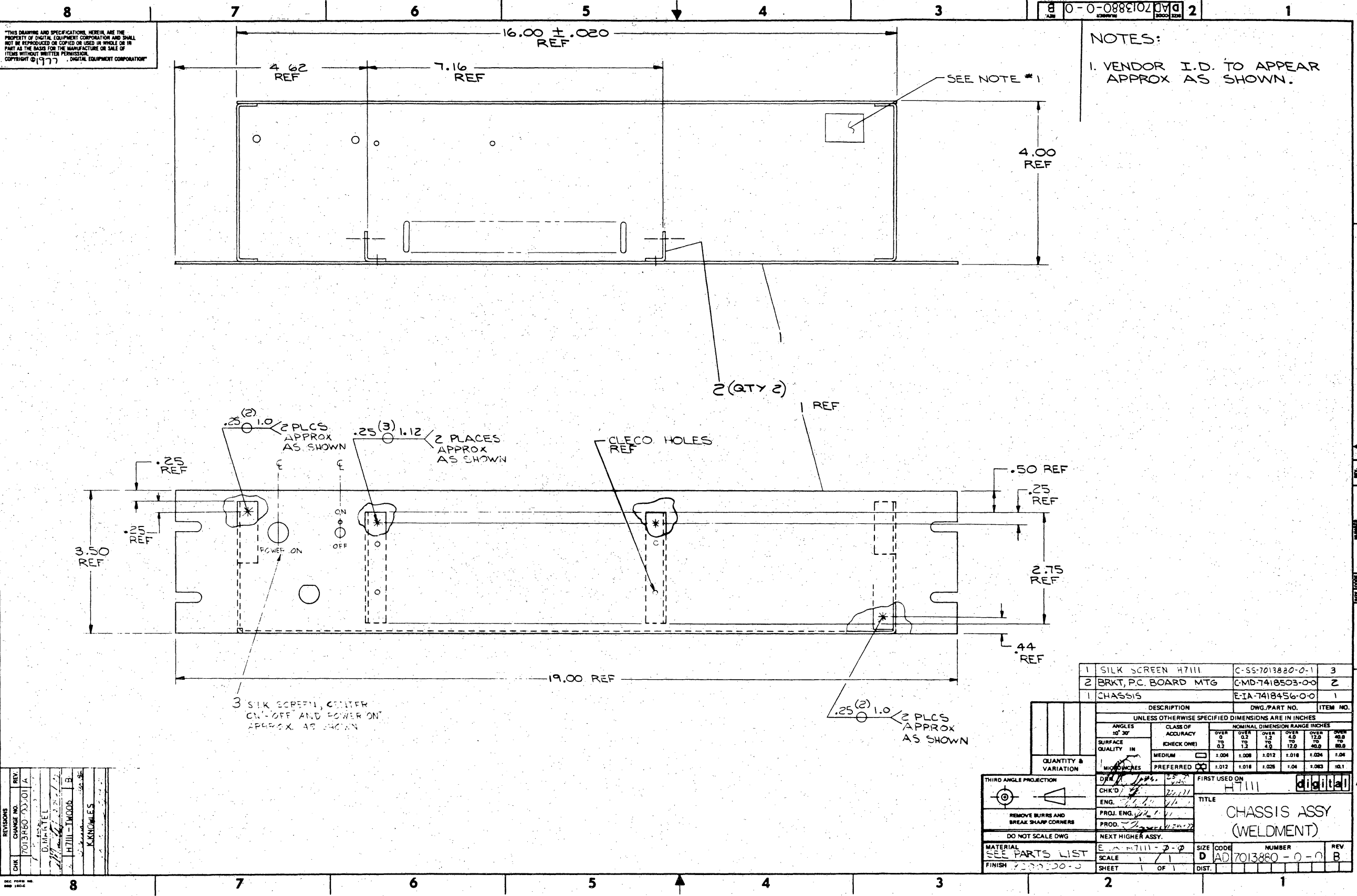
TIMING DIAGRAM



Note ① Assume battery ~~was~~ fully charged (90% capacity).

Note ② Fast charge may cycle until battery charge is topped off at about 125% capacity.

SIZE	CODE	NUMBER	REV
A	SP	H7111-0-4	



"THIS DRAWING AND SPECIFICATIONS HEREIN ARE THE PROPERTY OF DIGITAL EQUIPMENT CORPORATION AND SHALL NOT BE REPRODUCED OR COPIED OR USED IN WHOLE OR IN PART AS THE BASIS FOR THE MANUFACTURE OR SALE OF ITEMS WITHOUT WRITTEN PERMISSION. COPYRIGHT © 1977 - DIGITAL EQUIPMENT CORPORATION"

AD 7013880-0-0-B

NOTES:  
1. VENDOR I.D. TO APPEAR APPROX AS SHOWN.

1	SILK SCREEN H7111	C-55-7013880-0-1	3
2	BRKT, P.C. BOARD MTG	CMD-7418503-0-0	2
1	CHASSIS	E-1A-7418456-0-0	1

DESCRIPTION	DWG. PART NO.	ITEM NO.					
UNLESS OTHERWISE SPECIFIED DIMENSIONS ARE IN INCHES							
ANGLES 10° 30°	CLASS OF ACCURACY	NOMINAL DIMENSION RANGE INCHES					
SURFACE QUALITY IN MICROINCHES	(CHECK ONE)	OVER 0 TO 0.2	OVER 0.2 TO 1.2	OVER 1.2 TO 4.0	OVER 4.0 TO 12.0	OVER 12.0 TO 40.0	OVER 40.0 TO 100.0
		MEDIUM	<input type="checkbox"/> ±.004	<input type="checkbox"/> ±.008	<input type="checkbox"/> ±.012	<input type="checkbox"/> ±.018	<input type="checkbox"/> ±.024
QUANTITY & VARIATION	PREFERRED	<input checked="" type="checkbox"/> ±.012	<input type="checkbox"/> ±.018	<input type="checkbox"/> ±.028	<input type="checkbox"/> ±.04	<input type="checkbox"/> ±.063	<input type="checkbox"/> ±0.1

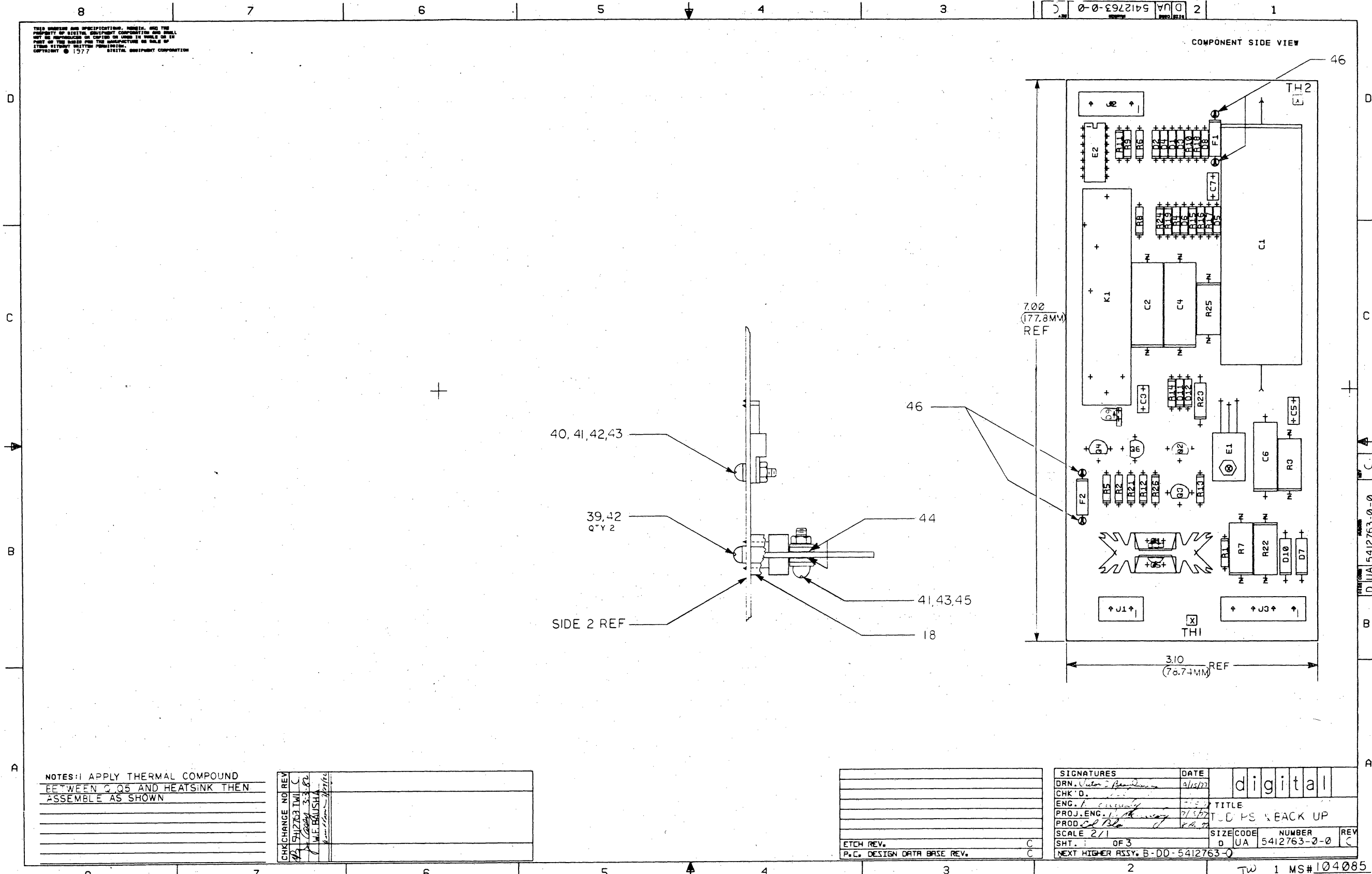
THIRD ANGLE PROJECTION	DRAWN BY: [Signature]	DATE: 11-11-68	FIRST USED ON: H7111
REMOVE BURRS AND BREAK SHARP CORNERS	CHK'D BY: [Signature]	DATE: 11-11-68	TITLE: CHASSIS ASSY (WELDMENT)
DO NOT SCALE DWG	PROJ. ENG. BY: [Signature]	DATE: 11-11-68	PROD. BY: [Signature]
MATERIAL SEE PARTS LIST	NEXT HIGHER ASSY:	SIZE: D	CODE: AD 7013880-0-0
FINISH: [Symbol]	SCALE: 1/1	NUMBER: B	REV: B

A

A



THIS DRAWING AND SPECIFICATIONS, HEREIN, ARE THE PROPERTY OF DIGITAL EQUIPMENT CORPORATION AND SHALL NOT BE REPRODUCED OR COPIED IN WHOLE OR IN PART FOR THE PURPOSES OF THE MANUFACTURE OR SALE OF ITEMS WITHOUT WRITTEN PERMISSION.  
 COPYRIGHT © 1977 DIGITAL EQUIPMENT CORPORATION



NOTES: 1 APPLY THERMAL COMPOUND BETWEEN C Q5 AND HEATSINK THEN ASSEMBLE AS SHOWN

CHK CHANGE NO	REV
42	5412763 IWI C
41	5412763 IWI C
40	5412763 IWI C
39	5412763 IWI C
38	5412763 IWI C
37	5412763 IWI C
36	5412763 IWI C
35	5412763 IWI C
34	5412763 IWI C
33	5412763 IWI C
32	5412763 IWI C
31	5412763 IWI C
30	5412763 IWI C
29	5412763 IWI C
28	5412763 IWI C
27	5412763 IWI C
26	5412763 IWI C
25	5412763 IWI C
24	5412763 IWI C
23	5412763 IWI C
22	5412763 IWI C
21	5412763 IWI C
20	5412763 IWI C
19	5412763 IWI C
18	5412763 IWI C
17	5412763 IWI C
16	5412763 IWI C
15	5412763 IWI C
14	5412763 IWI C
13	5412763 IWI C
12	5412763 IWI C
11	5412763 IWI C
10	5412763 IWI C
9	5412763 IWI C
8	5412763 IWI C
7	5412763 IWI C
6	5412763 IWI C
5	5412763 IWI C
4	5412763 IWI C
3	5412763 IWI C
2	5412763 IWI C
1	5412763 IWI C

ETCH REV.	C
P.C. DESIGN DATA BASE REV.	C

SIGNATURES	DATE	TITLE
DRN. <i>Victor J. Bandiera</i>	3/15/77	digital
CHK'D.		
ENG. <i>J. Conway</i>	7/15/77	
PROJ. ENG. <i>J. Conway</i>	7/15/77	TLC PS & BACK UP
PROD. <i>Bl...</i>		
SCALE 2/1		
SHT. 1 OF 3		
NEXT HIGHER ASSY. B-DD-5412763-0		

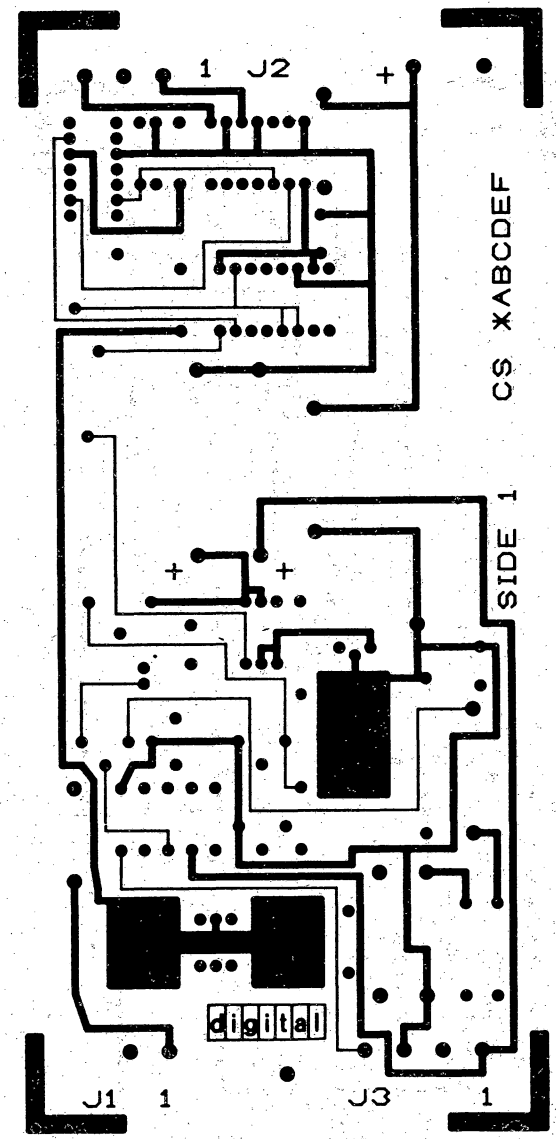
TW 1 MS# 104085

THIS DRAWING, SPECIFICATIONS, HEREIN, ARE THE PROPERTY OF DIGITAL EQUIPMENT CORPORATION, AND SHALL NOT BE REPRODUCED OR COPIED OR USED IN WHOLE OR IN PART AS THE BASIS FOR THE MANUFACTURE OR SALE OF ITEMS WITHOUT WRITTEN PERMISSION. DIGITAL EQUIPMENT CORPORATION. COPYRIGHT 1977.

DUA5412763-0-0 2

D  
C  
B  
A

D  
C  
B  
A



VIEWED FROM SIDE 1

REVISIONS		
CHK	CHANGE NO	REV

TITLE	SIZE CODE	NUMBER	REV.
TOD FS : BACK UP	D UA	5412763 -0-0	C
SCALE 2:1	SHEET 2 OF 3	DIST	

DEC FORM NO 090 117

8

7

6

5

4

3

2

1

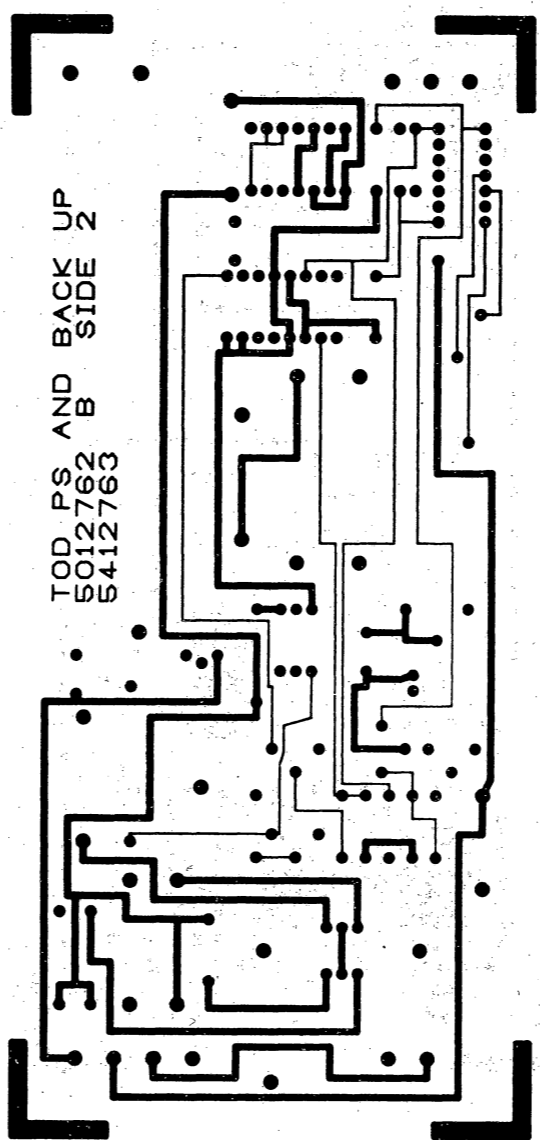
DUA5 112763 -0-0 C

THIS DRAWING AND SPECIFICATION HEREIN ARE THE PROPERTY OF DIGITAL EQUIPMENT CORPORATION AND SHALL NOT BE REPRODUCED OR COPIED OR USED IN WHOLE OR IN PART AS THE BASIS FOR THE MANUFACTURE OR SALE OF ITEMS WITHOUT WRITTEN PERMISSION. COPYRIGHT © DIGITAL EQUIPMENT CORPORATION.

DUA5412763-0-0 2

D  
C  
B  
A

D  
C  
B  
A



TOD PS AND BACK UP  
5012762 B  
5412763

VIEWED FROM SIDE

REVISIONS		
CHK	CHANGE NO.	REV.

TITLE	SIZE CODE	NUMBER	REV.
TOD PS & BACK UP	DUA5412763	-0-0	C
SCALE 2:1	SHEET 3 OF 3	DIST	

DEC FORM NO 290 117

8 7 6 5 4 3 2 1

DUA5412763-0-0 C

DIGITAL EQUIPMENT CORPORATION PARTS LIST				QUANTITY / VARIATION												NOTES:
MADE BY K. DAVIS DATE 6/10/77		CHECKED <i>[Signature]</i> DATE 8/10/77		5412763-0-0												
ENG Bob Kennedy DATE 8/8/77		PROD <i>[Signature]</i> DATE 8 Aug 77														
SECTION 1																
ISSUED SECTION 1																
ITEM NO.	DRAWING NO.	PART NO.	DESCRIPTION													REF DESIGNATION
1	D-MD-5012762-0-0	5012762	ETCH BOARD													
2		1002781-00	CAP., 100 UF, 25V, 20% ALEL													C2, C4
3		1001610-01	CAP., .01 UF, 100V DISC													C3
4		1010031-08	CAP., 1.5 UF, 50V, 10% MP													C6
5		1010274-00	CAP., .22 UF, 50, 10% CER													C5, C7
6		1011607-00	CAP., 1900 UF, 40V AL EL													C1
7		1100122-00	DIODE, 1N748AVZ, 3.9V, 5%													D10
8		1105796-00	DIODE, 1N4004, 400V, 1A													D1 THRU D6, D11, D12
9		1110925-00	DIODE, 1TTZ429VZ, 5.1V, 2%													D8
10		1104860-00	DIODE, 1N746A, 3.3V, 400MV, 5%													D7
11		1110864-00	LED, 2MCD, 10 MA													D9
12		1203193-00	RELAY, REED, 12V, 1A, SPST													K1
13		1209159-00	FUSE, .500A, 125V													F1
14		1211751-00	FUSE, 2A, 125V													F2
15		1212297-00	HEADER, UNIVERSAL (2 PIN)													J1
16		1212297-01	HEADER, UNIVERSAL (4 PIN)													J3
17		1212297-03	HEADER, UNIVERSAL (3 PIN)													J2
18		1213921-02	HEAT SINK, ALUMNUM 2" HIGH													
19		1305253-00	RES., 7.15K, 1/4W, 1%													R15
20		1301422-00	RES., 7.5K, 1/4W, 5%													R17
21		1302391-00	RES., 20K, 1/4W, 5%													R5, R6
E.C.O. NO.																
THIS DRAWING AND SPECIFICATIONS, HEREIN, ARE THE PROPERTY OF DIGITAL EQUIPMENT CORPORATION AND SHALL NOT BE REPRODUCED OR COPIED OR USED IN WHOLE OR IN PART AS THE BASIS FOR THE MANUFACTURE OR SALE OF ITEMS WITHOUT WRITTEN PERMISSION. COPYRIGHT © 1977 DIGITAL EQUIPMENT CORPORATION				TITLE TOD PS & BACK UP				ASSY NO. D-UA-5412763-0-0		SIZE B	CODE PL	NUMBER 5412763-0-0		REV. B		
				SHEET 1 OF 3				INSERTION PARTS LIST DATA BASE REV C								

DIGITAL EQUIPMENT CORPORATION PARTS LIST				QUANTITY / VARIATION										NOTES:						
MADE BY K. DAVIS DATE 6/10/77		CHECKED <i>[Signature]</i> DATE 8/10/77		SECTION 1																
ENG Bob Conely (1780) DATE 8 Aug 77		PROD Ed Allen DATE 8 Aug 77		ISSUED SECTION 1																
ITEM NO.	DRAWING NO.	PART NO.	DESCRIPTION	5412263-0-0																REF DESIGNATION
22		1303177-00	RES., 2.4K, 1/4W, 5%	2																R12, R21
23		1305114-00	RES., 3.48K, 1/4W, 1%	5																R2, R9, R10, R18, R24
24		1300479-00	RES., 10K, 1/4W, 5%	2																R13, R26
25		1304870-00	RES., 6.81K, 1/4W, 1%	3																R4, R8, R16
26		1305425-00	RES., 309K, 1/4W, 1%	1																R14
27		1309417-00	RES., 27.4K, 1/4W, 1%	2																R11, R19
28		1300291-00	RES., 300, 1/2W, 5%	1																R23
29		1312466-03	RES., 13, 1W, 1%	1																R7
30		1302950-00	RES., 1.2K, 1W, 10%	1																R22
31		1300420-00	RES., 2.2K, 1W, 10%	1																R25
32		1300368-00	RES., 1K, 1W, 5%	1																R3
33		1302858-00	RES., 100, 1/4W, 1%	1																R1
34		1510233-00	TRANS., 2N5460	1																Q6
35		1510705-00	TRANS., A05	3																Q2, Q3, Q4
36		1512652-00	TRANS., 2N6490	2																Q1, Q5
37		1912108-00	I.C., LM339	1																E2
38		1912536-00	I.C., DEC 7805	1																E1
39		9009236-01	SCR., PH HD 4-40 SELF TAP	2																
40		9006011-01	SCR., PH PAN HD 4-40 X .38	1																
41		9009769-00	WASHER, RECTANGULAR	3																
42		9006658-00	WASHER, FLAT #4	3																

E.C.O. NO.

"THIS DRAWING AND SPECIFICATIONS, HEREIN, ARE THE PROPERTY OF DIGITAL EQUIPMENT CORPORATION AND SHALL NOT BE REPRODUCED OR COPIED OR USED IN WHOLE OR IN PART AS THE BASIS FOR THE MANUFACTURE OR SALE OF ITEMS WITHOUT WRITTEN PERMISSION. COPYRIGHT © 1977 DIGITAL EQUIPMENT CORPORATION"

TITLE  
TOD PS & BACK UP

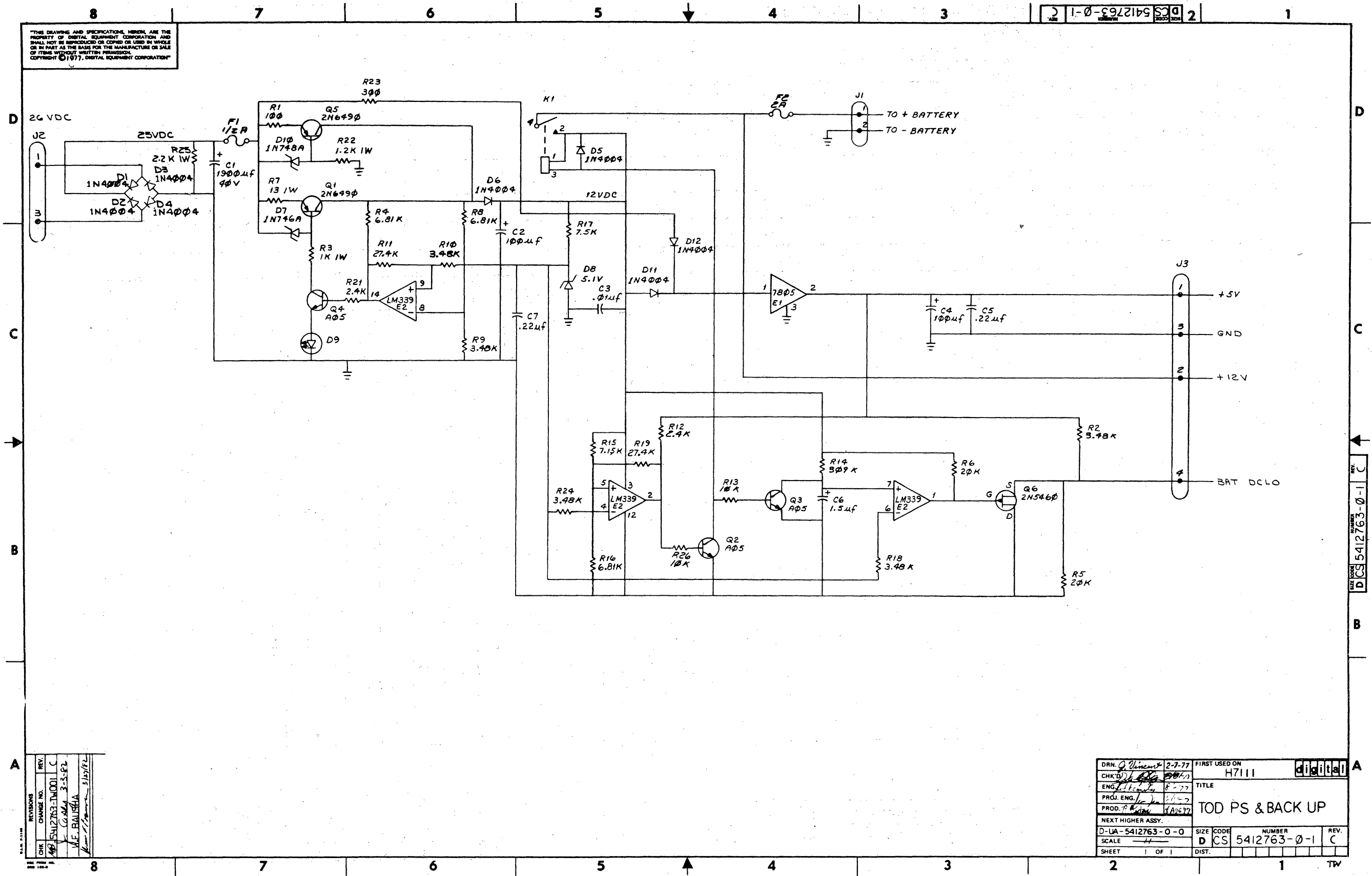
ASSY NO.  
D-UA-5412763-0-0  
SHEET 2 OF 3

SIZE CODE NUMBER  
B PL 5412763-0-0  
INSERTION PARTS LIST DATA BASE REV C

REV.  
B



"THIS DRAWING AND SPECIFICATIONS, HEREIN, ARE THE PROPERTY OF DIGITAL EQUIPMENT CORPORATION AND SHALL NOT BE REPRODUCED OR COPIED OR USED IN WHOLE OR IN PART AS THE BASIS FOR THE MANUFACTURE OR SALE OF ITEMS WITHOUT WRITTEN PERMISSION. COPYRIGHT © 1977, DIGITAL EQUIPMENT CORPORATION"



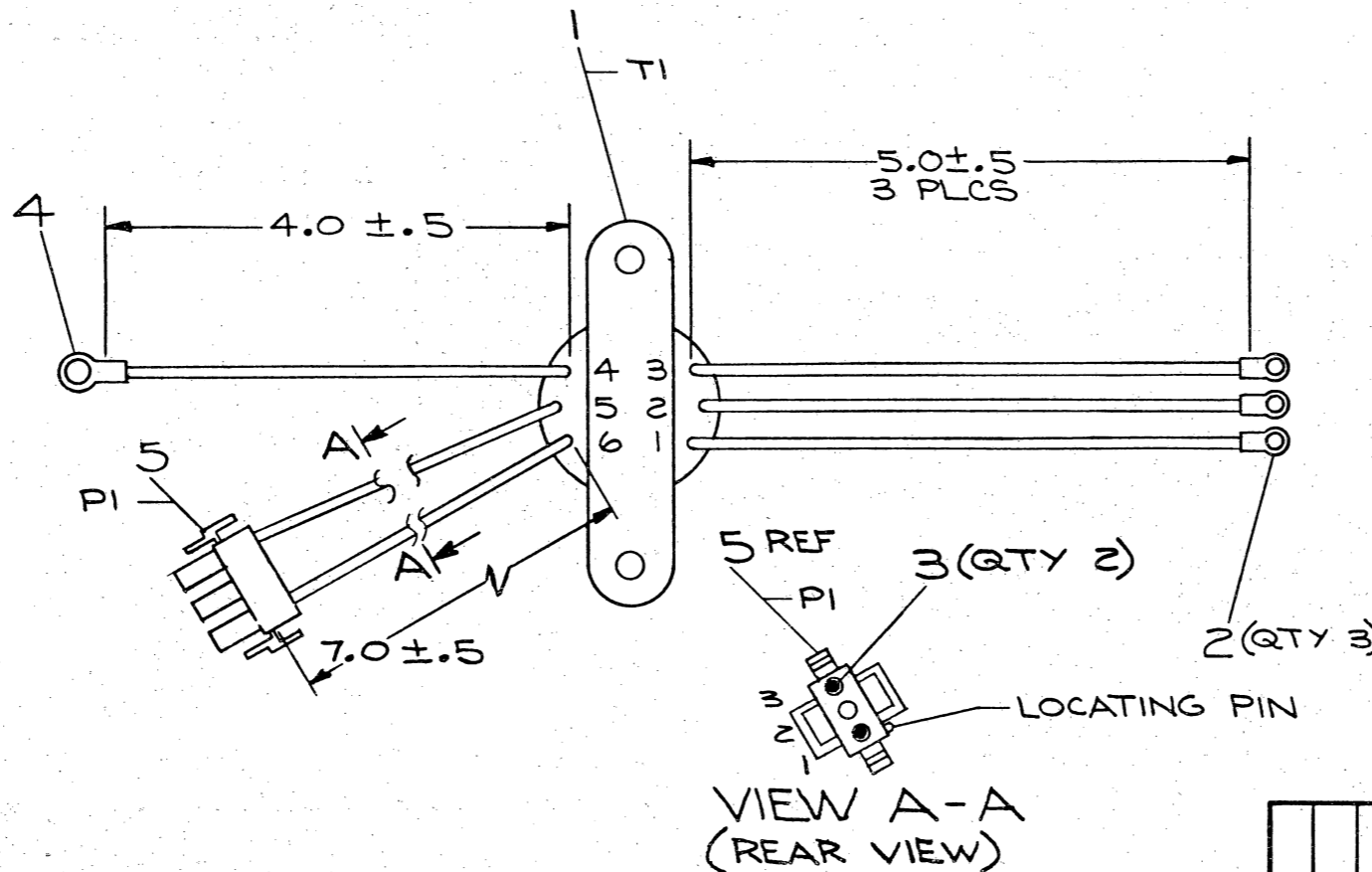
REV.	DATE	BY	CHKD.
1	3-3-77	J.E. BAUSCH	
2	3-12-77		

DRN. J. Vincent	2-7-77	FIRST USED ON	H7111	digital
CHK'D. J. Vincent	3-3-77	TITLE		
ENG. J. Vincent	3-3-77	TOD PS & BACK UP		
PROD. J. Vincent	3-3-77			
NEXT HIGHER ASSY.		SIZE	CODE	NUMBER
D-LA-5412763-0-0		D	CS	5412763-0-1
SCALE	1:1	DIST.		REV.
SHEET	1 OF 1			C

"THIS DRAWING AND SPECIFICATIONS, HEREIN, ARE THE PROPERTY OF DIGITAL EQUIPMENT CORPORATION AND SHALL NOT BE REPRODUCED OR COPIED OR USED IN WHOLE OR IN PART AS THE BASIS FOR THE MANUFACTURE OR SALE OF ITEMS WITHOUT WRITTEN PERMISSION. COPYRIGHT © 1977 DIGITAL EQUIPMENT CORPORATION"

### WIRE TABLE

ITEM NO	DESCRIPTION		FROM		TO		REMARKS	WIRE LENGTH (REF)
	AWG	COLOR	CONN	WITH	CONN	WITH		
1	*18	WHT	TI-1	—	—	2		5.0±.5
		BLK	TI-2	—	—	2		5.0±.5
		RED	TI-3	—	—	2		5.0±.5
		GRN/YEL	TI-4	—	—	4		4.0±.5
		BLU	TI-5	—	PI-3	3 & 5		7.0±.5
	*18	BLU	TI-6	—	PI-1	3 & 5		7.0±.5



1	CONN, PLUG (3 SKT)	1212167-00	5
1	TERM, RING #10 HOLE	9007930-00	4
2	CONTACT, SKT (14-20 AWG)	1212170-00	3
3	TERM, RING TONGUE #6	9007929-00	2
1	XMFR, POWER (120, 240)	1613975-00	1

DESCRIPTION	DWG./PART NO.	ITEM NO.					
UNLESS OTHERWISE SPECIFIED DIMENSIONS ARE IN INCHES							
ANGLES ±0° 30'	CLASS OF ACCURACY (CHECK ONE)	NOMINAL DIMENSION RANGE INCHES					
		OVER 0 TO 0.2	OVER 0.2 TO 1.2	OVER 1.2 TO 4.0	OVER 4.0 TO 12.0	OVER 12.0 TO 40.0	OVER 40.0 TO 80.0
SURFACE QUALITY IN MICROINCHES	MEDIUM	±.004	±.008	±.012	±.016	±.024	±.04
	PREFERRED	±.012	±.018	±.025	±.04	±.063	±.1

THIRD ANGLE PROJECTION	DR. <i>[Signature]</i>	FIRST USED ON	H7111
REMOVE BURRS AND BREAK SHARP CORNERS	CHK. <i>[Signature]</i>	TITLE	XMFR ASSY
DO NOT SCALE DWG	ENG. <i>[Signature]</i>	SIZE	C
MATERIAL SEE PARTS LIST	PROJ. ENG. <i>[Signature]</i>	CODE	IA
FINISH <i>ss</i>	PROD. <i>[Signature]</i>	NUMBER	7014080-0-0
	NEXT HIGHER ASSY.	REV.	

REV.	CHANGE NO.	REVISIONS

REV. NUMBER 7014080-0-0



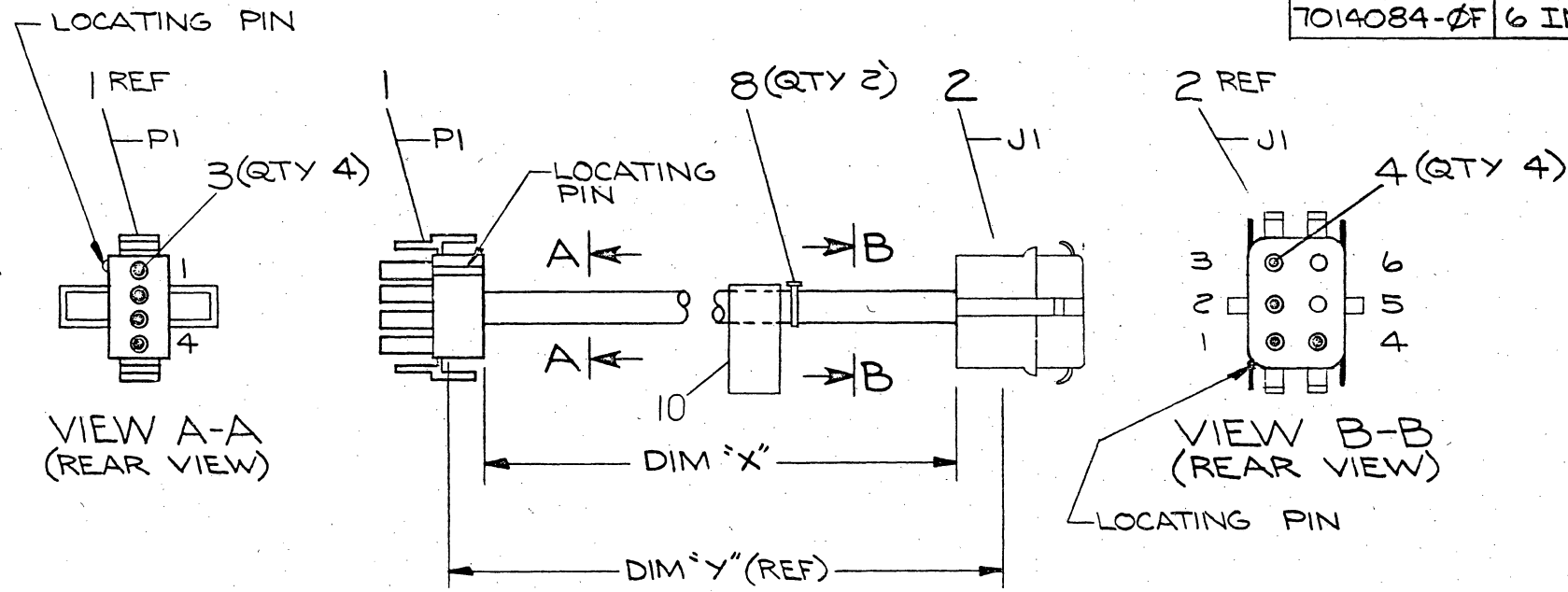
"THIS DRAWING AND SPECIFICATIONS, HEREIN, ARE THE PROPERTY OF DIGITAL EQUIPMENT CORPORATION AND SHALL NOT BE REPRODUCED OR COPIED OR USED IN WHOLE OR IN PART AS THE BASIS FOR THE MANUFACTURE OR SALE OF ITEMS WITHOUT WRITTEN PERMISSION. COPYRIGHT © 1977 DIGITAL EQUIPMENT CORPORATION"

### WIRE TABLE

ITEM NO	DESCRIPTION		FROM		TO		REMARKS
	AWG	COLOR	CONN	WITH	CONN	WITH	
6	#18	RED	PI-1	1 & 3	J1-1	2 & 4	
5	#18	BLK	PI-3	1 & 3	J1-3	2 & 4	
7	#18	GRY	PI-4	1 & 3	J1-4	2 & 4	
9	#18	BRN	PI-2	1 & 3	J1-2	2 & 4	

### LEGEND

NUMBER	DIM "X" VARIATION	DIM "Y" (PRECUT) REF
7014084-0	6 IN ± .5 IN	7 IN ± .5 IN



CAUTION: OFF SHEET PARTS LIST  
SEE K-PL-7014084-0-DBP (Z3002)

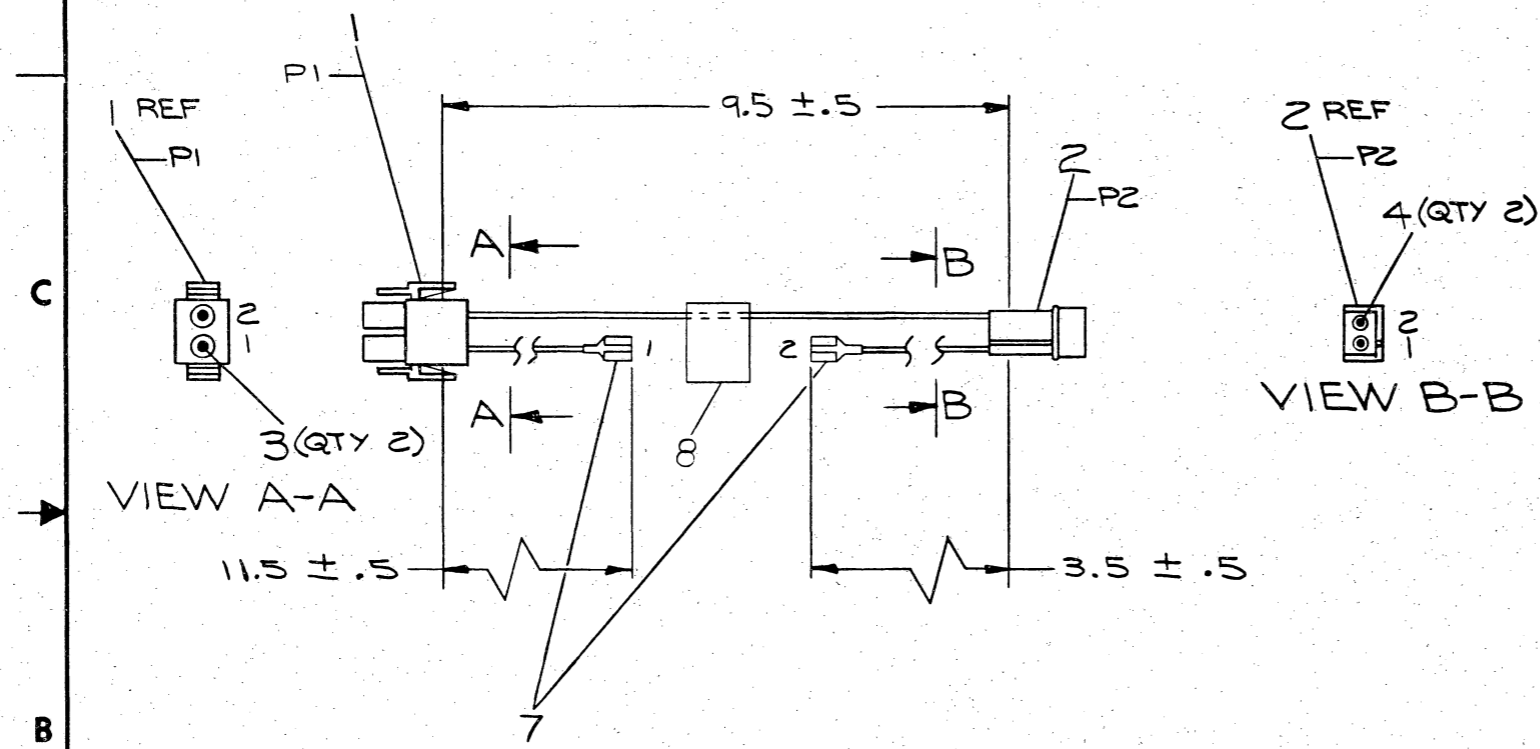
REV.	CHANGE NO.	DESCRIPTION
A	1	7014084 - T2001
		TH. KNOWLES 26 AUG 81
		K. KNOWLES 26 AUG 81

QUANTITY & VARIATION	DESCRIPTION	DWG./PART NO.	ITEM NO.			
	UNLESS OTHERWISE SPECIFIED DIMENSIONS ARE IN INCHES					
	ANGLES ±0° 30'	CLASS OF ACCURACY (CHECK ONE)				
	SURFACE QUALITY IN MICROINCHES	NOMINAL DIMENSION RANGE INCHES				
		OVER 0 TO 0.2	OVER 0.2 TO 1.2	OVER 1.2 TO 4.0	OVER 4.0 TO 12.0	OVER 12.0 TO 40.0
		MEDIUM <input type="checkbox"/>	±.004 ±.008 ±.012 ±.016 ±.024 ±.04			
		PREFERRED <input type="checkbox"/>	±.012 ±.016 ±.025 ±.04 ±.063 ±0.1			
THIRD ANGLE PROJECTION	DRN: [Signature]	FIRST USED ON	H7111			
REMOVE BURRS AND BREAK SHARP CORNERS	CHK'D: [Signature]	TITLE	CABLE ASSY (H7111)			
DO NOT SCALE DWG	PROJ. ENG: [Signature]					
	PROD: [Signature]					
MATERIAL SEE PARTS LIST	E-UA-H7111-0-0	SIZE CODE	C IA			
FINISH	SCALE NONE	NUMBER	7014084-0-0			
	SHEET 1 OF 1	REV.	A			

REV. A  
NUMBER 7014084-0-0  
SIZE CODE C IA

"THIS DRAWING AND SPECIFICATIONS, HEREIN, ARE THE PROPERTY OF DIGITAL EQUIPMENT CORPORATION AND SHALL NOT BE REPRODUCED OR COPIED OR USED IN WHOLE OR IN PART AS THE BASIS FOR THE MANUFACTURE OR SALE OF ITEMS WITHOUT WRITTEN PERMISSION. COPYRIGHT © 1977, DIGITAL EQUIPMENT CORPORATION"

WIRE TABLE							
ITEM NO	DESCRIPTION		FROM		TO		REMARKS
	AWG	COLOR	CONN	WITH	CONN	WITH	
5	*18	BLK	P1-2	1 & 3	P2-2	2 & 4	
6	*20	RED	P1-1	1 & 3	1	7	
6	*20	RED	2	7	P2-1	2 & 4	

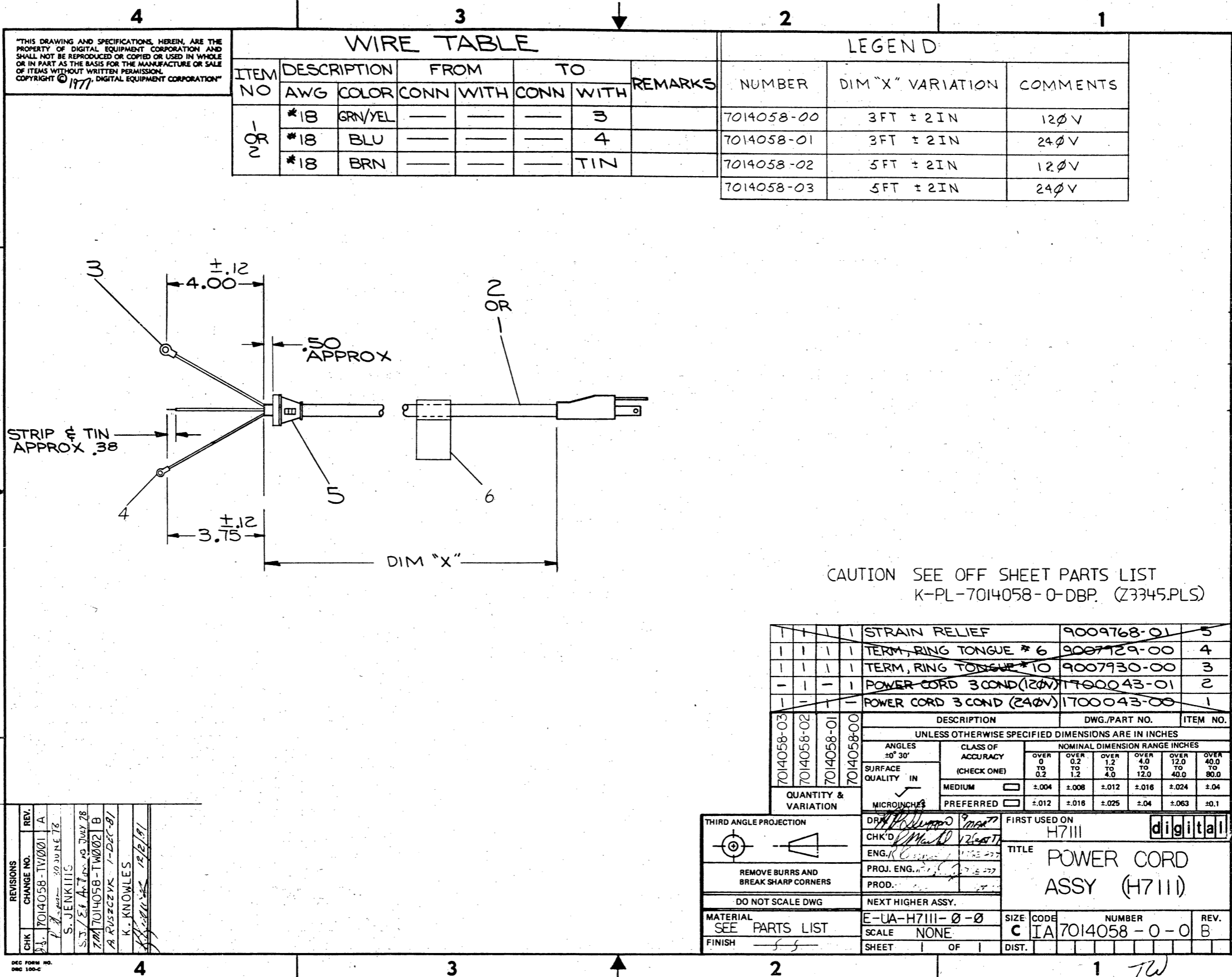


CAUTION SEE OFF SHEETS PARTS LIST K-FL-7014160-0-DBP (Z2987D) PLS

REV.	CHG. NO.	DESCRIPTION
1	H711-C0001	REVISED
2	B-KELINEL	REVISED
3	C-7014160-C0001	REVISED
4	J-DREW	REVISED
5	C-7014160-TW002	REVISED
6	D-7014160-TW003	REVISED
7	K-KNOWLES	REVISED

DESCRIPTION	DWG./PART NO.	ITEM NO.
UNLESS OTHERWISE SPECIFIED DIMENSIONS ARE IN INCHES		
ANGLES ±0° 30'	CLASS OF ACCURACY (CHECK ONE)	NOMINAL DIMENSION RANGE INCHES
SURFACE QUALITY IN	MEDIUM <input type="checkbox"/>	OVER 0 TO 0.2
MICROINCHES	PREFERRED <input type="checkbox"/>	OVER 0.2 TO 1.2
QUANTITY & VARIATION		OVER 1.2 TO 4.0
THIRD ANGLE PROJECTION	DRN <i>[Signature]</i>	OVER 4.0 TO 12.0
REMOVE BURRS AND BREAK SHARP CORNERS	CHK'D <i>[Signature]</i>	OVER 12.0 TO 40.0
DO NOT SCALE DWG	ENG. <i>[Signature]</i>	OVER 40.0 TO 80.0
MATERIAL SEE PARTS LIST	PROJ. ENG. <i>[Signature]</i>	
FINISH <i>[Symbol]</i>	NEXT HIGHER ASSY.	
	FIRST USED ON H7111	
	TITLE JUMPER (H7111)	
	SIZE CODE C	
	NUMBER IA 7014160-0-0	
	SHEET 1 OF 1	
	DIST.	

REV. D  
NUMBER  
C IA 7014160-0-0



"THIS DRAWING AND SPECIFICATIONS, HEREIN, ARE THE PROPERTY OF DIGITAL EQUIPMENT CORPORATION AND SHALL NOT BE REPRODUCED OR COPIED OR USED IN WHOLE OR IN PART AS THE BASIS FOR THE MANUFACTURE OR SALE OF ITEMS WITHOUT WRITTEN PERMISSION. COPYRIGHT © 1977, DIGITAL EQUIPMENT CORPORATION"

ITEM NO	DESCRIPTION		FROM		TO		REMARKS
	AWG	COLOR	CONN	WITH	CONN	WITH	
2 OR	*18	GRN/YEL	---	---	---	3	
	*18	BLU	---	---	---	4	
	*18	BRN	---	---	---	TIN	

NUMBER	DIM "X" VARIATION	COMMENTS
7014058-00	3 FT ± 2 IN	12ØV
7014058-01	3 FT ± 2 IN	24ØV
7014058-02	5 FT ± 2 IN	12ØV
7014058-03	5 FT ± 2 IN	24ØV

1	1	1	1	1	STRAIN RELIEF	9009768-01	5
1	1	1	1	1	TERM, RING TONGUE #6	9007729-00	4
1	1	1	1	1	TERM, RING TONGUE #10	9007930-00	3
-	1	-	-	-	POWER CORD 3 COND (12ØV)	1700043-01	2
1	-	1	-	-	POWER CORD 3 COND (24ØV)	1700043-00	1

QUANTITY & VARIATION	DESCRIPTION	DWG./PART NO.	ITEM NO.	UNLESS OTHERWISE SPECIFIED DIMENSIONS ARE IN INCHES						
				ANGLES ±0° 30'		CLASS OF ACCURACY (CHECK ONE)		NOMINAL DIMENSION RANGE INCHES		
7014058-03 7014058-02 7014058-01 7014058-00	SURFACE QUALITY IN	MICROINCHES	MEDIUM <input type="checkbox"/>	OVER 0 TO 0.2	OVER 0.2 TO 1.2	OVER 1.2 TO 4.0	OVER 4.0 TO 12.0	OVER 12.0 TO 40.0	OVER 40.0 TO 80.0	
				±.004	±.008	±.012	±.016	±.024	±.04	
			PREFERRED <input type="checkbox"/>	±.012	±.016	±.025	±.04	±.063	±.1	

THIRD ANGLE PROJECTION	DRN <i>[Signature]</i>	FIRST USED ON H7111	<b>digital</b>
REMOVE BURRS AND BREAK SHARP CORNERS	CHK'D <i>[Signature]</i>	TITLE POWER CORD ASSY (H7111)	
DO NOT SCALE DWG	ENG. <i>[Signature]</i>	SIZE CODE E-UA-H7111-Ø-Ø	NUMBER 7014058-0-0
MATERIAL SEE PARTS LIST	PROJ. ENG. <i>[Signature]</i>	SCALE NONE	REV. B
FINISH <i>[Signature]</i>	PROD. <i>[Signature]</i>	SHEET OF	DIST.

REV.	CHANGE NO.	DATE	BY	REVISIONS
A	1	30 JUNE 78	S. JENKINS	7014058-TW001
B	2	19 JULY 78	S. J. / E. A.	7014058-TW002
		7-DEC-81	A. RUSZCZYK	7014058-TW003
		12/2/81	K. KNOWLES	7014058-TW004