

REVISIONS				
REV	DESCRIPTION	DRFTG	APP BY	DATE
06	PER ECO 10465	ANGZE B		10/28/80
07	PER ECO 12363A	JM PL		5/21/81

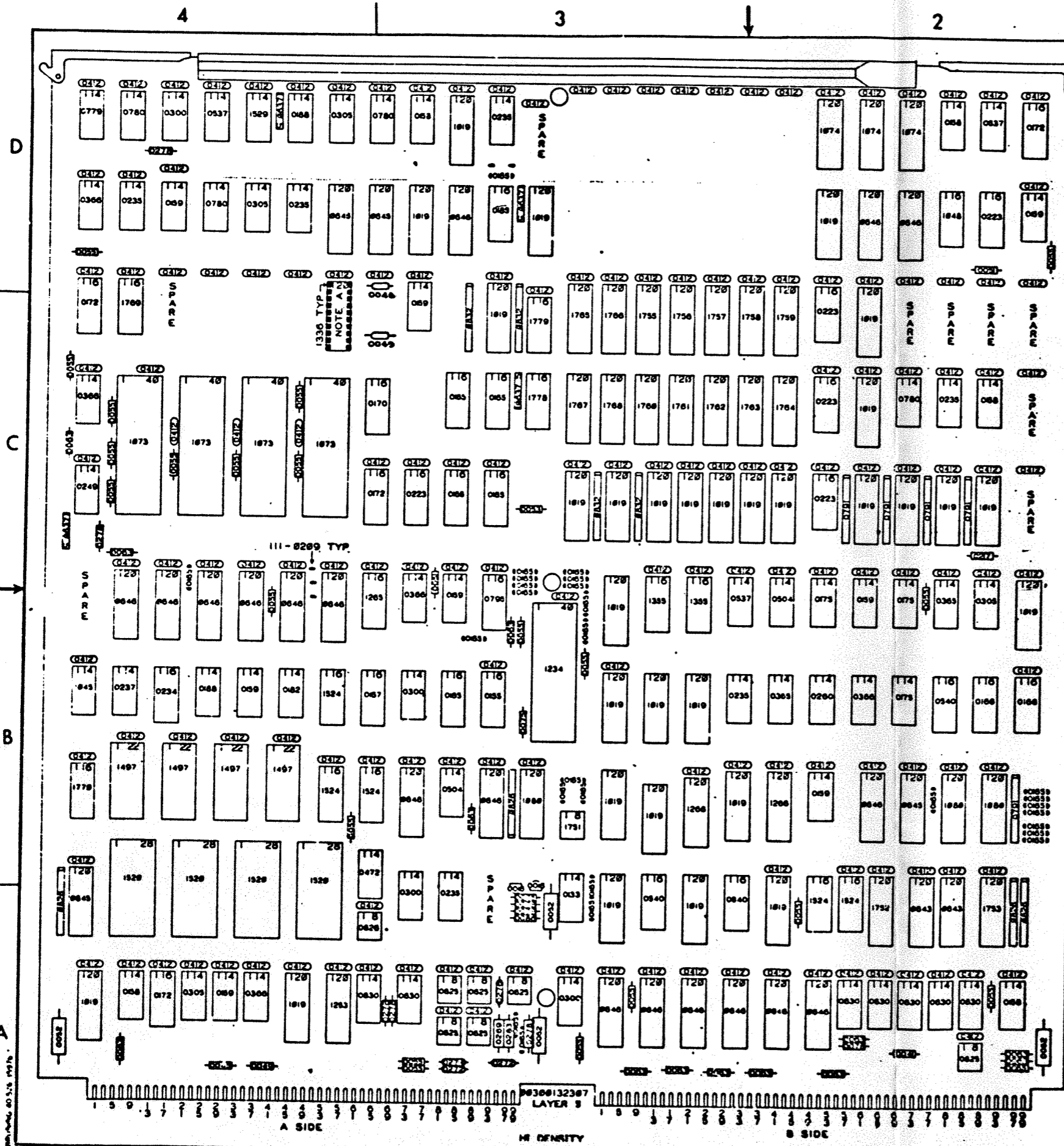
107000949 -03
 0030013.23 -08
 001001624 -07

NOTE:
 SFE 001001624
 PG.14

FIRST USED ON	DRAWN
005012066-U	A. BLODGETT
005012067-T	CHECKED
005012785-T	W. H. H. / 10/28/80
005012786-T	ENGINEER
005012787-T	APPROVED
	R.A.
	FIRST USED ON
	SCALE
	CODE ID#

DATA GENERAL CORPORATION			
WESTBORO, MASS. 01581			
TITLE			
IPL			
NOVA 4 CPU			
SIZE	CODE	DRAWING NUMBER	REV
C	016	000677	07

REVISIONS				
REV	DESCRIPTION	DRFTG	APP BY	DATE



NOTE A:
 1. INSTALL IN LOCATION 14AM PER-005 REQUIREMENTS 100 PT. NO.
 2. REMOVE SOCKETS (111-1336) PRIOR TO INSERTION OF APPROPRIATE 100 PART PER TABLE I.

TABLE I

005012007	1754
005012785	1788
005012787	1798
005012788	1789

THIS DRAWING AND SPECIFICATION, WHETHER AND THE PROPERTY OF DATA GENERAL CORPORATION OR NOT, IS NOT TO BE REPRODUCED OR COPIED OR USED IN WHOLE OR IN PART AS THE BASIS FOR MANUFACTURE OR SALE OF ITEMS WITHOUT WRITTEN PERMISSION.

DRAWN	A BLODGETT	10/28/60
CHECKED	<i>[Signature]</i>	11/15/60
ENGINEER		
APPROVED	<i>[Signature]</i>	
FIRST USED ON		
SCALE		CCODE IDENT

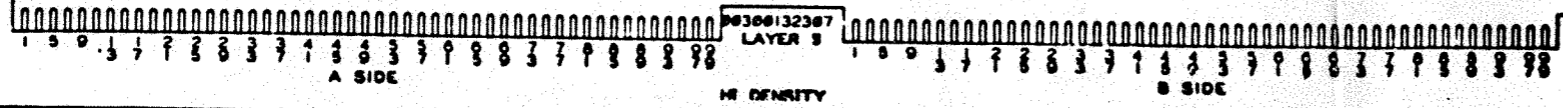
DATA GENERAL CORPORATION
 WESTBORO, MASS. 01581

TITLE
 IPL

NOVA 4 CPU

SIZE	CODE	DRAWING NUMBER	REV
C	016	000677	07

DRAWING NO. 5, 5, 1975



4

3

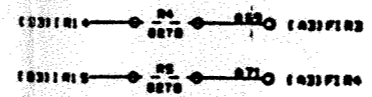
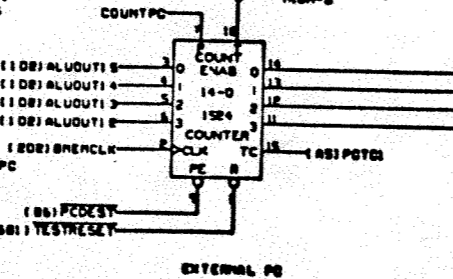
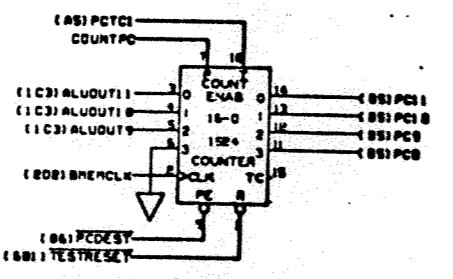
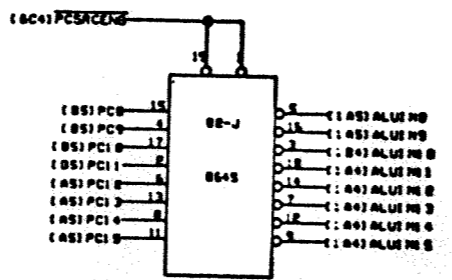
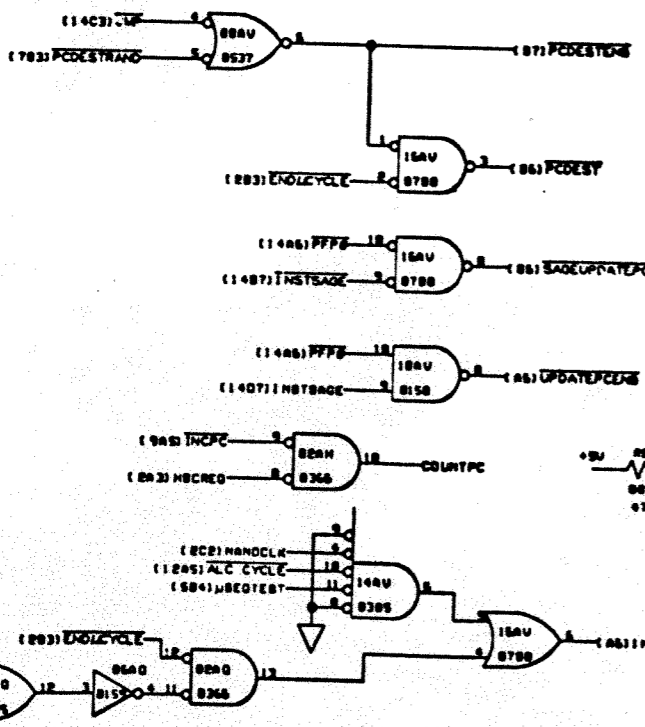
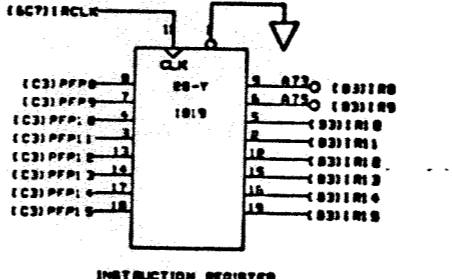
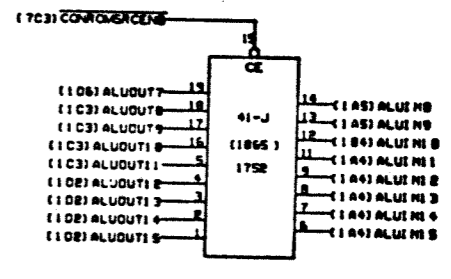
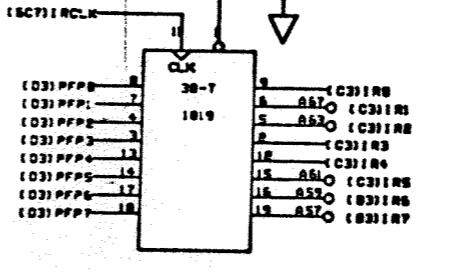
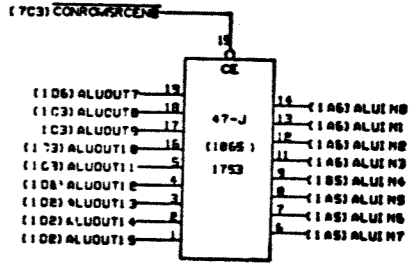
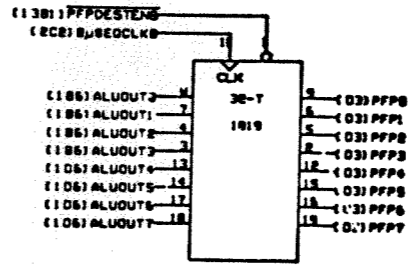
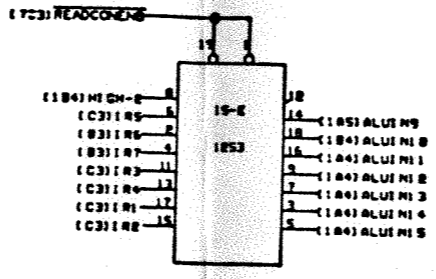
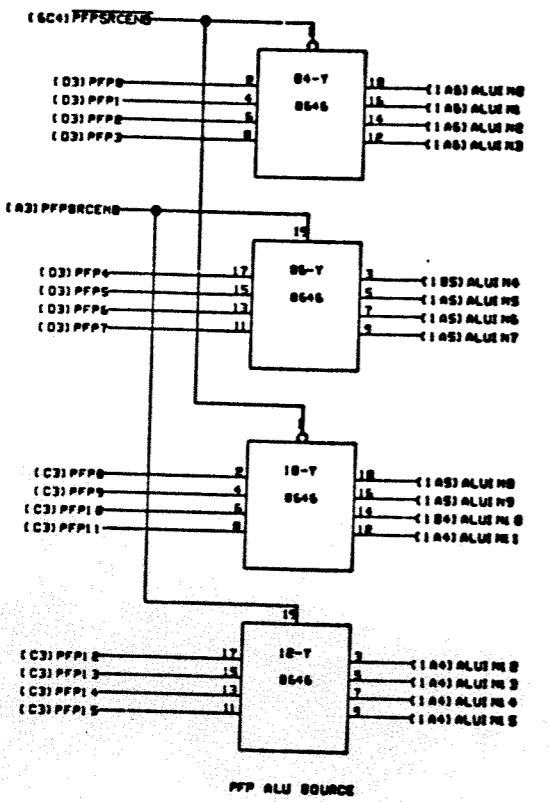
2

1

SHEET 2 OF 2

THIS DRAWING AND SPECIFICATION, HEREIN, ARE THE PROPERTY OF DATA GENERAL CORPORATION AND SHALL NOT BE REPRODUCED OR COPIED OR USED IN WHOLE OR IN PART AS THE BASIS FOR MANUFACTURE OR SALE OF THIS PRODUCT WITHOUT PERMISSION OF DATA GENERAL CORPORATION.

REVISIONS				
REV	DESCRIPTION	DRFT	APP BY	DATE

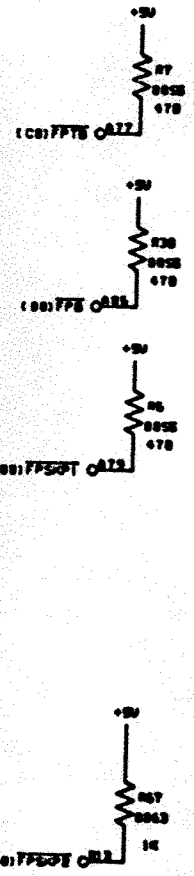
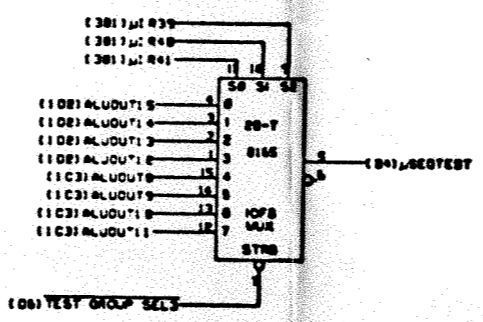
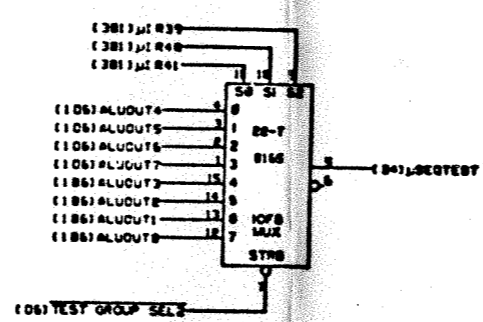
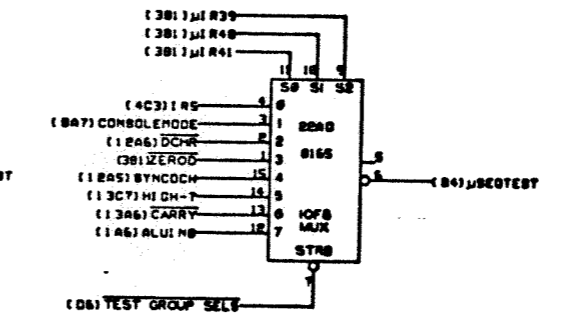
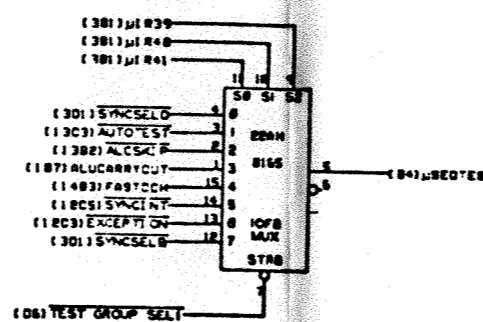
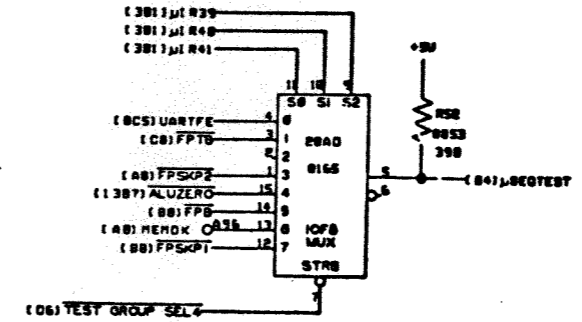
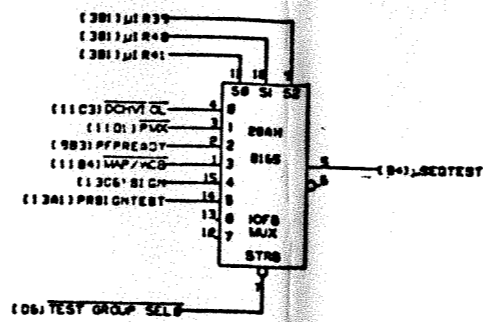
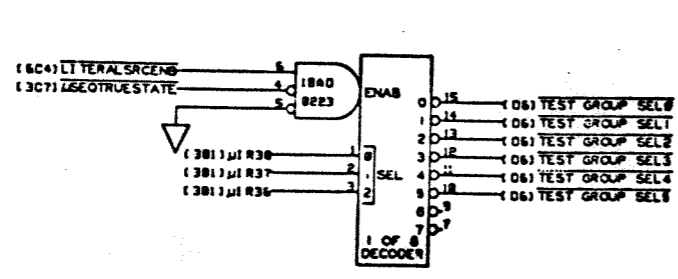


IPC_CONSOLE ROM_PFP_SRC_PFP_DEST_IR

DRAWN	DATA GENERAL CORPORATION WESTBORO, MASSACHUSETTS 01581
CHECKED	TITLE
ENGINEER	OGC NOVA
APPROVED	SIZE CODE DRAWING NUMBER REV
FIRST USED ON	001001624 07

THE ENGINE AND SPECIFICATIONS, HEREIN, ARE THE PROPERTY OF DATA GENERAL CORPORATION AND SHALL NOT BE REPRODUCED OR COPIED IN WHOLE OR IN PART OR BE USED FOR MANUFACTURE OR SALE OF ITEMS WITHOUT WRITTEN PERMISSION.

REVISIONS			
REV	DESCRIPTION	DRFTS	APP BY DATE



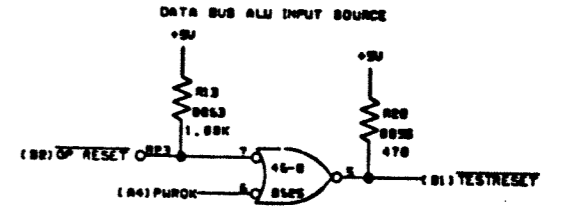
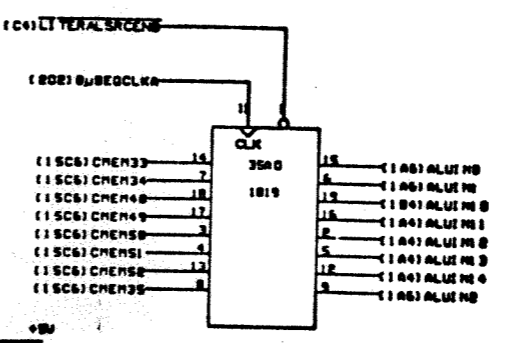
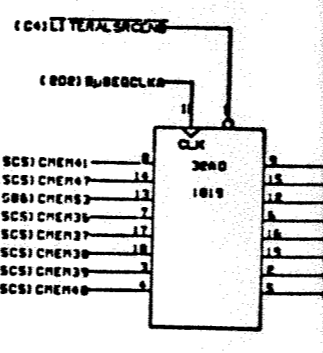
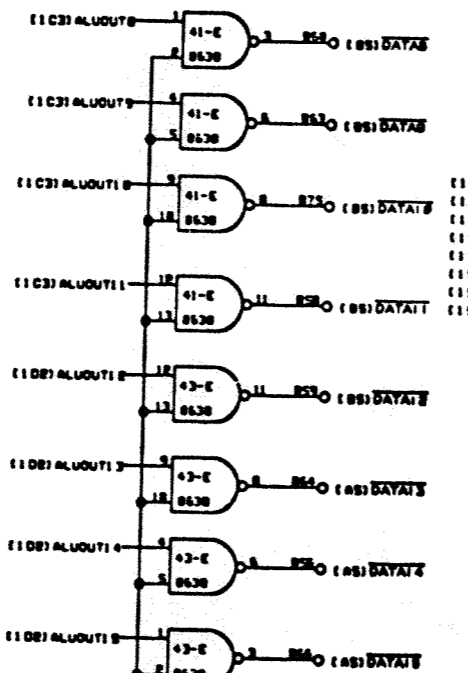
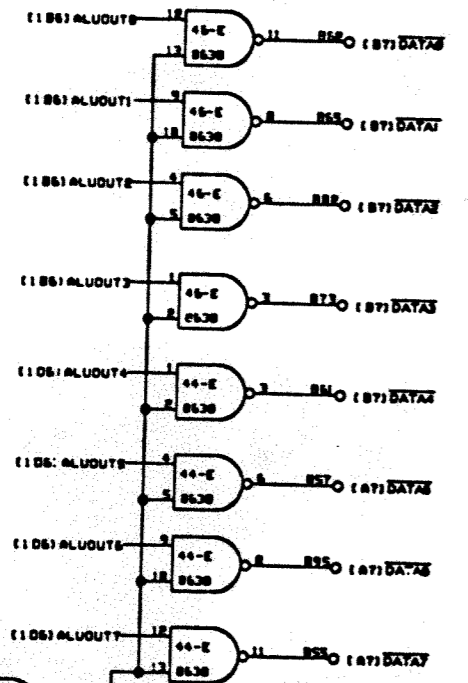
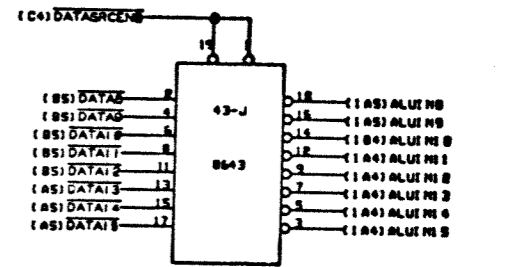
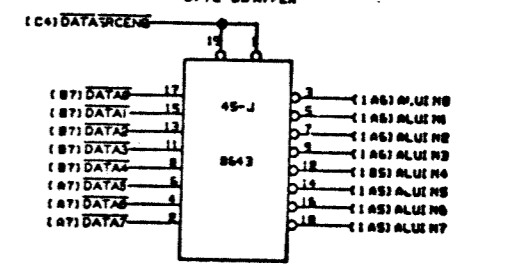
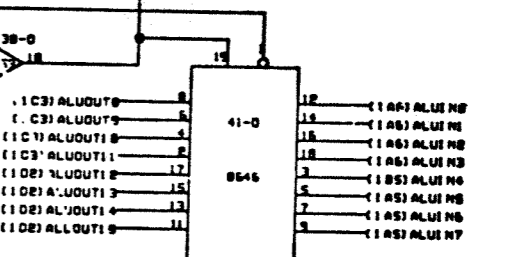
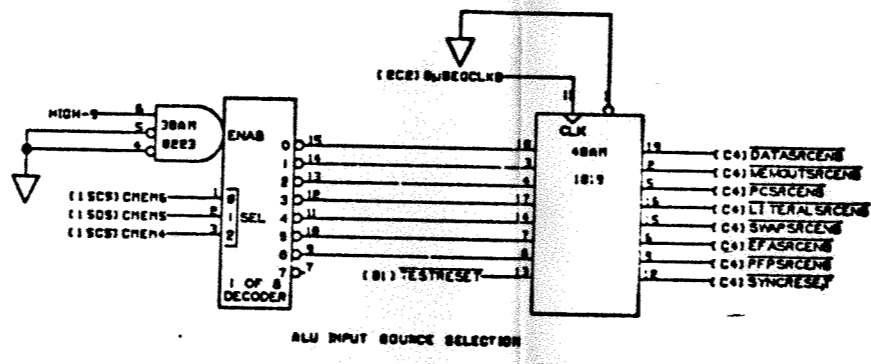
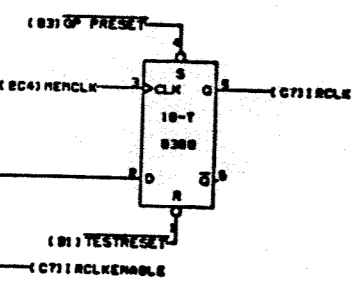
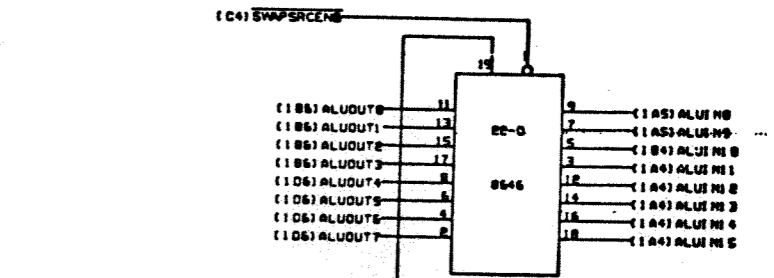
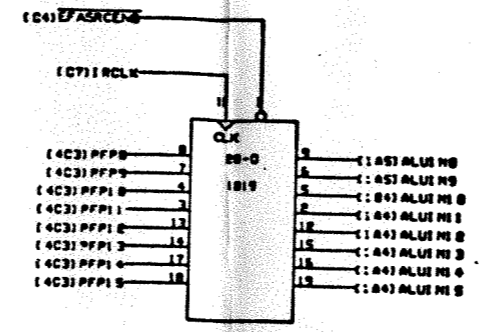
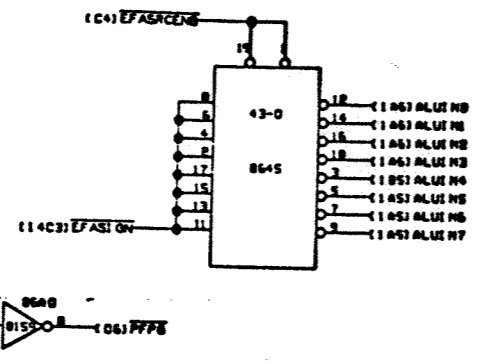
NOTE: TEST SELECTED BY THE SIGNAL TEST GROUP SEL# ARE NEGATIVE ASSERTED ALL OTHER TESTS ARE POSITIVE ASSERTED

DGC TEST MUX AND TEST CONDITIONS

DRAWN		DATA GENERAL CORPORATION WESTBORD, MASSACHUSETTS 01581 TITLE DGC NOVA SIZE CODE DRAWING NUMBER REV 0 001001624 07
CHECKED		
ENGINEER		
APPROVED		
FIRST USED ON		

THIS DRAWING AND SPECIFICATIONS, HEREIN, ARE THE PROPERTY OF DATA GENERAL CORPORATION AND SHALL NOT BE REPRODUCED OR COPIED OR USED IN WHOLE OR IN PART AS THE BASIS FOR MANUFACTURE OR SALE OF THIS OR ANY OTHER PRODUCT.

REVISIONS				
REV	DESCRIPTION	DRFTS	APP BY	DATE

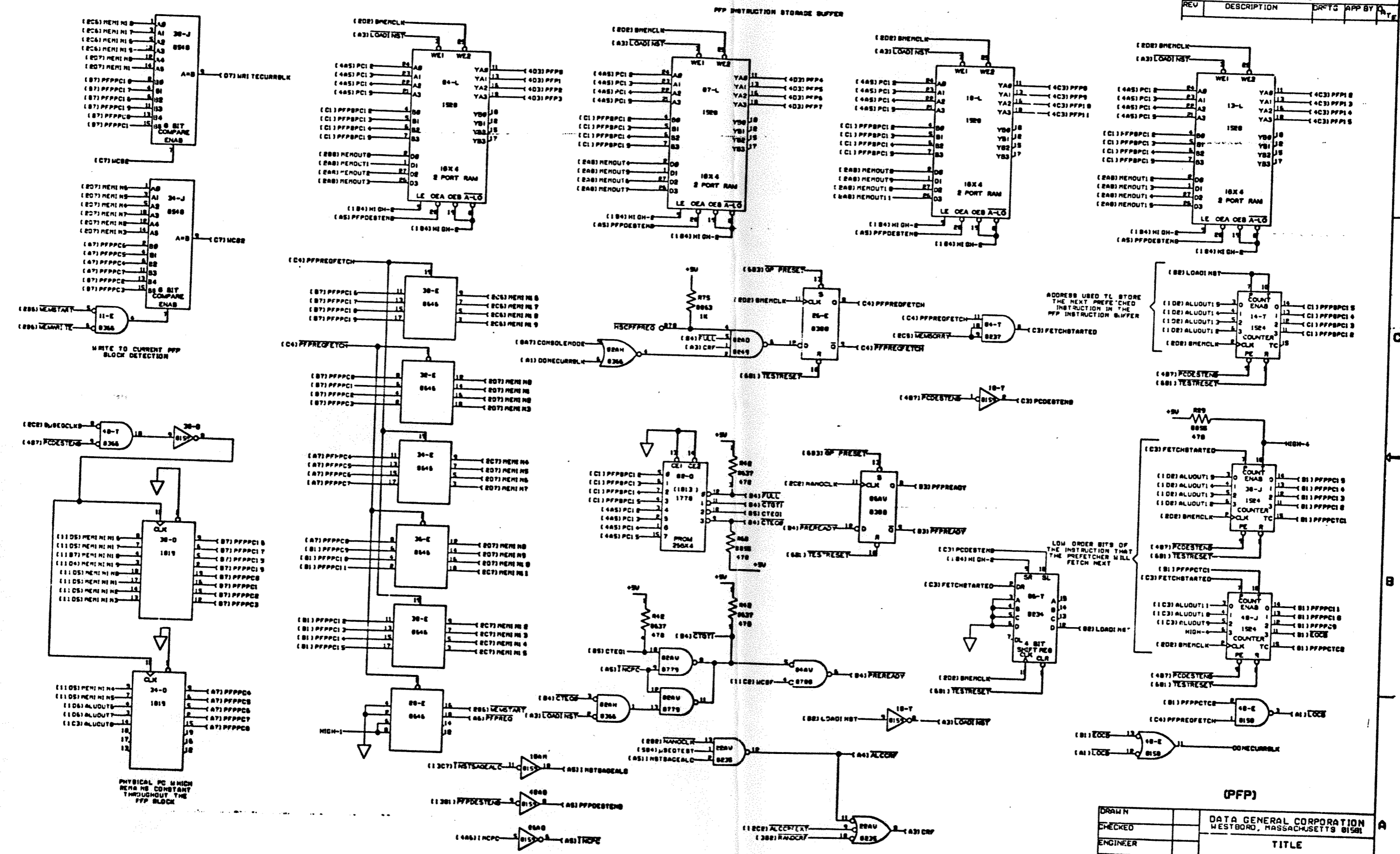


(SWAP AND VARIOUS DIR. ENABLE DECODES)

DRAWN	DATA GENERAL CORPORATION NESTOORD, MASSACHUSETTS 01581
CHECKED	TITLE
ENGINEER	DGC NOVA
APPROVED	SIZE CODE DRAWING NUMBER REV
FIRST USED ON	0 001001624 07
	1 SHEET 6096

THIS DRAWING AND SPECIFICATIONS, HEREIN, ARE THE PROPERTY OF DATA GENERAL CORPORATION AND SHALL NOT BE REPRODUCED OR COPIED IN WHOLE OR IN PART, OR THE DATA FOR MANUFACTURE OR SALE OF THIS PRODUCT WITHOUT PERMISSION BY DATA GENERAL CORPORATION.

REVISIONS				
REV	DESCRIPTION	DATE	APP BY	CHK BY



WRITE TO CURRENT PFP BLOCK DETECTION

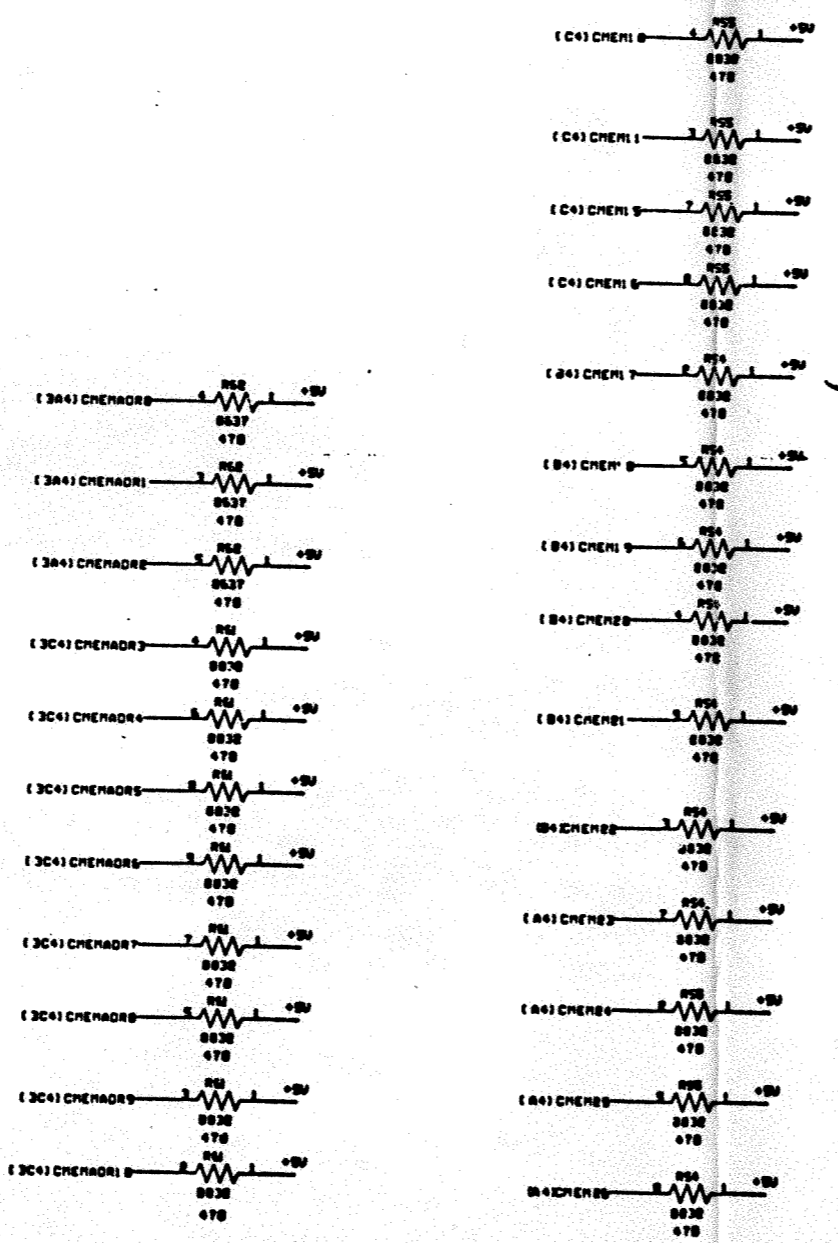
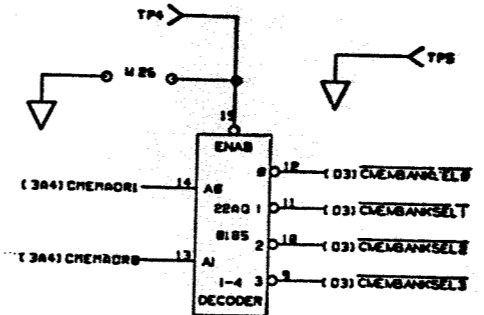
ADDRESS USED TO STORE THE NEXT PREFETCHED INSTRUCTION IN THE PFP INSTRUCTION BUFFER

PHYSICAL PC WHICH REMAINS CONSTANT THROUGHOUT THE PFP BLOCK

DRAWN		DATA GENERAL CORPORATION WESTBORO, MASSACHUSETTS 01581	
CHECKED		TITLE	
ENGINEER		DGC NOVA	
APPROVED		BIZ CODE	DRAWING NUMBER
FIRST USED ON			00100162407
		REV	
			1 SHEET 9 OF 16

THIS DRAWING AND SPECIFICATIONS, HEREIN, ARE THE PROPERTY OF DATA GENERAL CORPORATION AND SHALL NOT BE REPRODUCED OR COPIED IN WHOLE OR IN PART AS THE BASIS FOR MANUFACTURE OR SALE OF THIS PRODUCT WITHOUT PERMISSION.

REVISIONS				
REV	DESCRIPTION	DRAFTS	APP BY	DATE

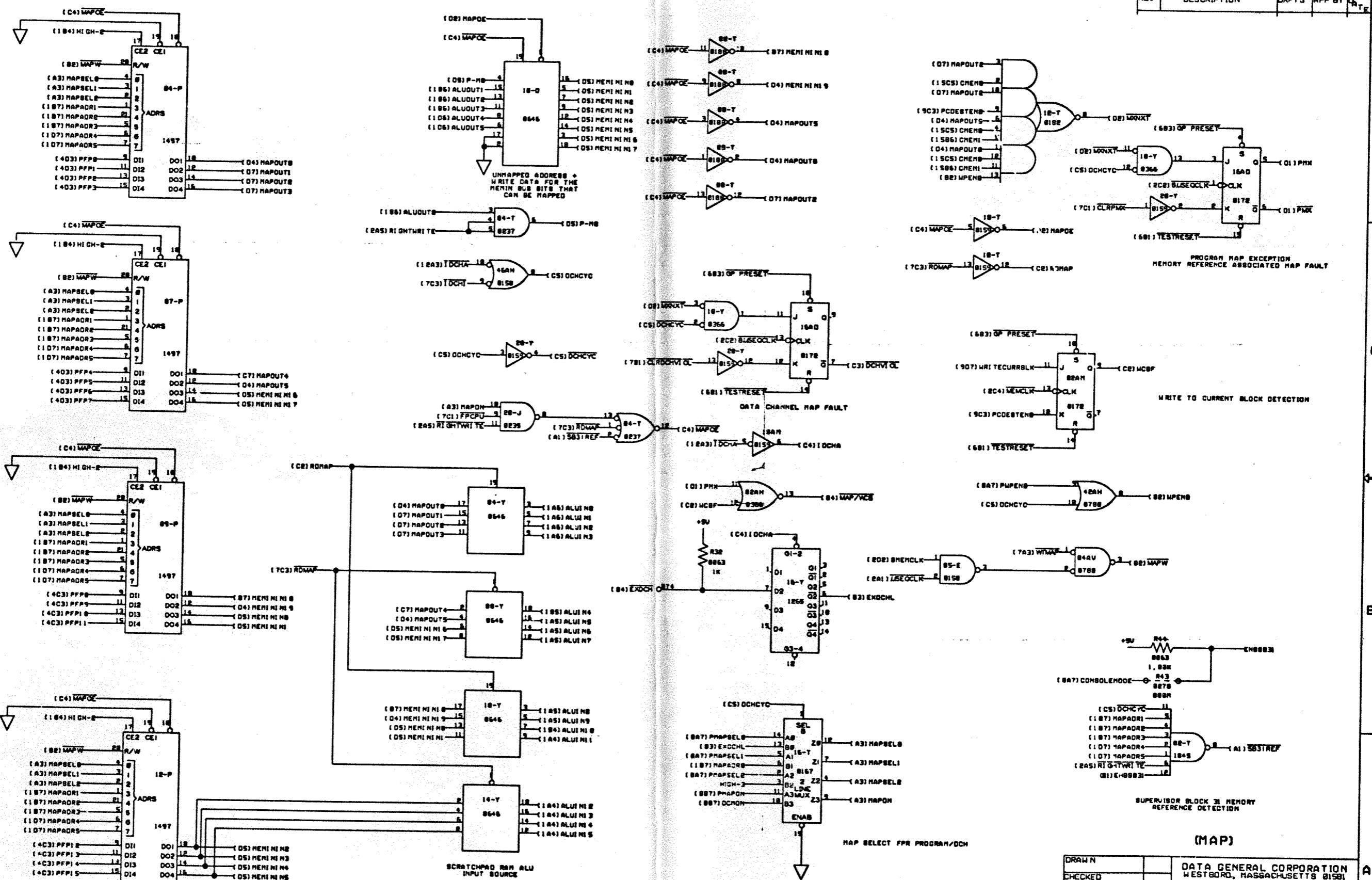


(CONTROL ROMARRAY)

DRAWN		DATA GENERAL CORPORATION WESTBORO, MASSACHUSETTS 01581	
CHECKED		TITLE	
ENGINEER		DGC NOVA	
APPROVED		SIZE CODE	DRAWING NUMBER
FIRST USED ON		0	001001624 07
		REV	
		1 SHEET 1016	

THIS DRAWING AND SPECIFICATION, HEREIN, ARE THE PROPERTY OF DATA GENERAL CORPORATION AND SHALL NOT BE REPRODUCED OR COPIED OR USED IN WHOLE OR IN PART AS THE BASIS FOR MANUFACTURE OR SALE OF THIS PRODUCT WITHOUT WRITTEN PERMISSION.

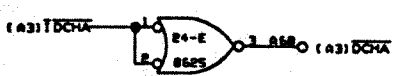
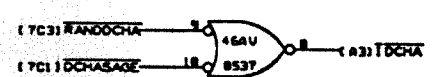
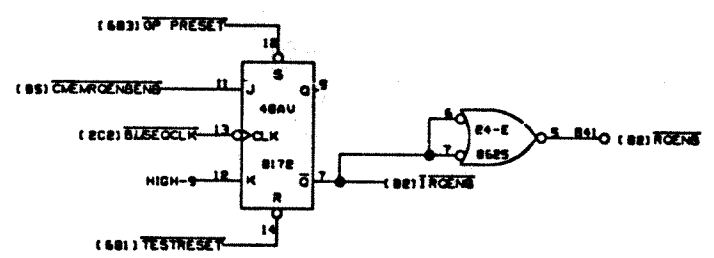
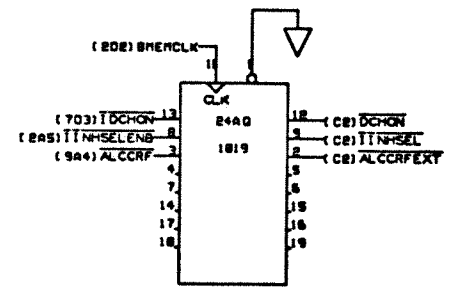
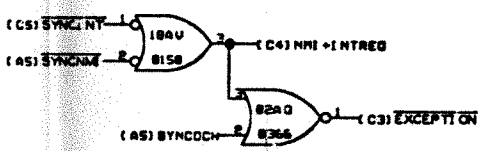
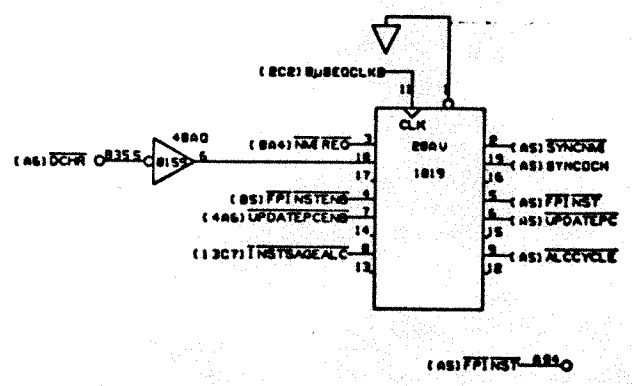
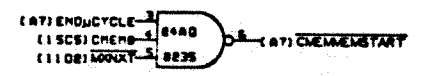
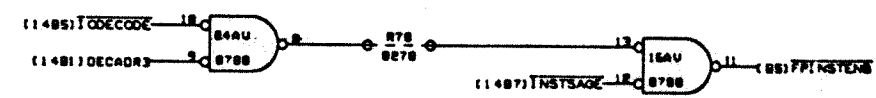
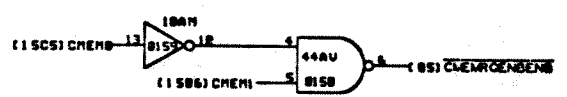
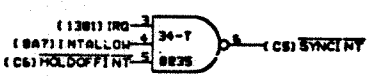
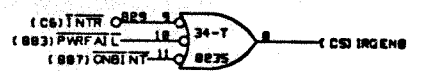
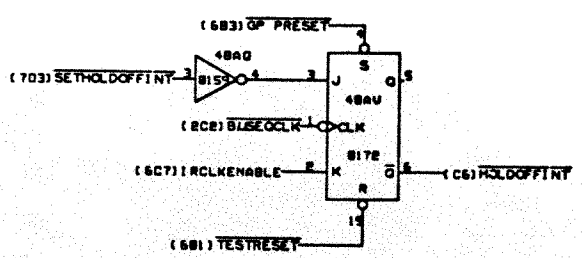
REVISIONS				
REV	DESCRIPTION	DRFTG	APP BY	DATE



DRAWN		DATA GENERAL CORPORATION WESTBORO, MASSACHUSETTS 01581 TITLE DGC NOVA SIZE CODE DRAWING NUMBER REV 0 001001624 07
CHECKED		
ENGINEER		
APPROVED		
FIRST USED ON		

THIS DRAWING AND SPECIFICATIONS, HEREIN, ARE THE PROPERTY OF DATA GENERAL CORPORATION AND SHALL NOT BE REPRODUCED OR COPIED OR USED IN WHOLE OR IN PART AS THE BASIS FOR MANUFACTURE OR SALE OF ANY UNLESS WRITTEN PERMISSION IS OBTAINED FROM DATA GENERAL CORPORATION.

REVISIONS				
REV	DESCRIPTION	DRFTG	APP BY	DATE

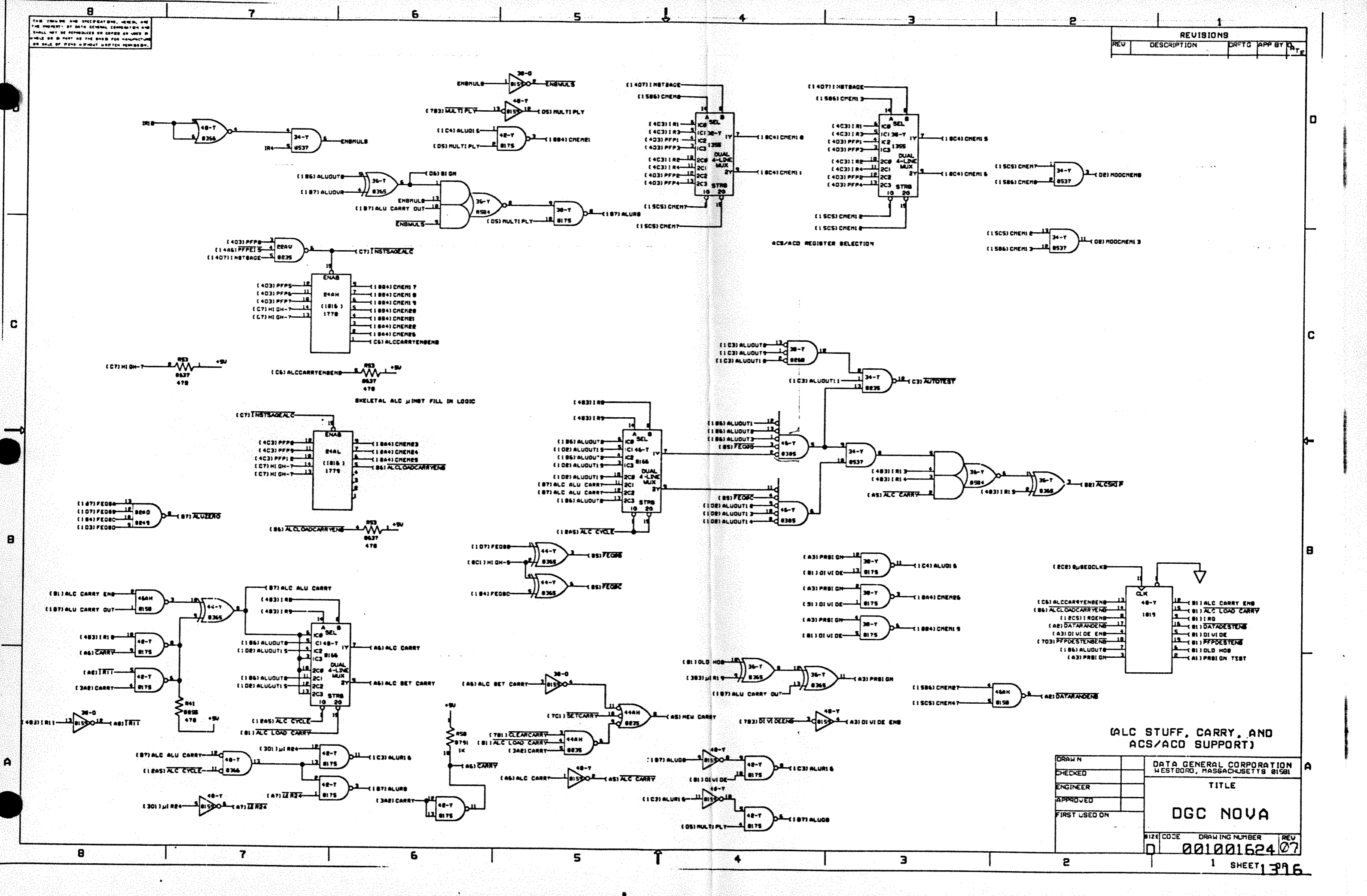


MEMORY CONTROL,
DATA CHANNEL LOGIC,
INTERRUPT LOGIC

DRAWN	DATA GENERAL CORPORATION WESTBORO, MASSACHUSETTS 01581		
CHECKED	TITLE		
ENGINEER	OGC NOVA		
APPROVED	SIZE CODE	DRAWING NUMBER	REV
FIRST USED ON	0	001001624	07

THIS DRAWING AND SPECIFICATIONS, HEREIN, AND THE PROPERTY OF DATA GENERAL CORPORATION AND SHALL NOT BE REPRODUCED OR COPIED IN WHOLE OR IN PART AS THE BASIS FOR MANUFACTURE OR SALE OF ITEMS WITHOUT WRITTEN PERMISSION.

REVISIONS			
REV	DESCRIPTION	DRAFT	APP BY

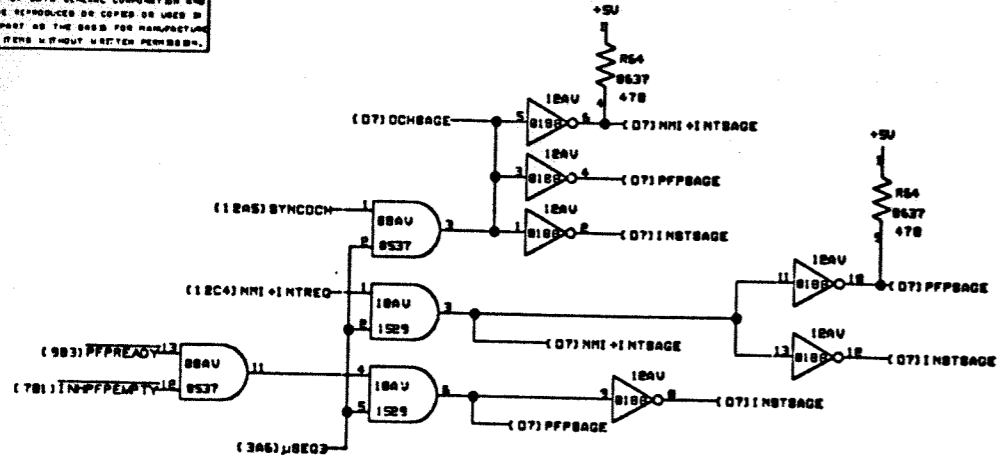


(ALC STUFF, CARRY, AND ACS/ACD SUPPORT)

DRAWN		DATA GENERAL CORPORATION WESTBORO, MASSACHUSETTS 01581
CHECKED		
ENGINEER		
APPROVED		
FIRST USED ON		TITLE
		DGC NOVA
		SIZE CODE
		DRAWING NUMBER
		REV
		001001624 07
		1 SHEET
		1396

THE DRAWING AND SPECIFICATION HEREIN ARE THE PROPERTY OF DATA GENERAL CORPORATION AND SHALL NOT BE REPRODUCED OR COPIED OR USED IN WHOLE OR IN PART AS THE BASIS FOR MANUFACTURE OR SALE OF ITEMS WITHOUT WRITTEN PERMISSION.

REVISIONS				
REV	DESCRIPTION	DRFTG	APP BY	DATE



BASE PRIORITY LOGIC
 1 DCH
 2 INTERRUPT OR NMI
 3 PFP EMPTY
 4 INSTRUCTIONS

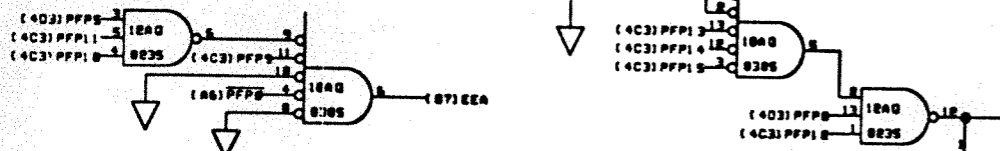
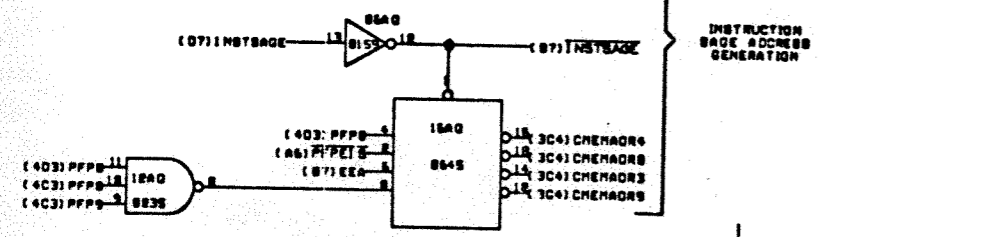
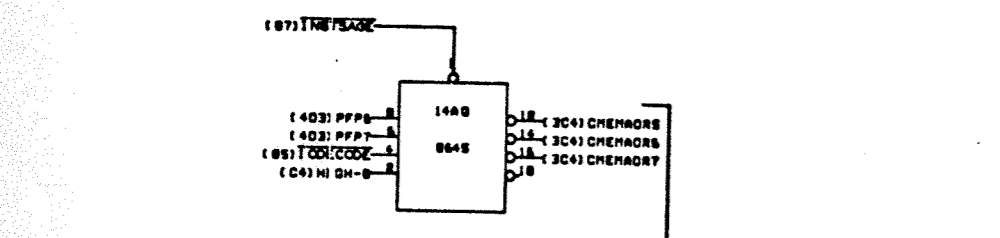
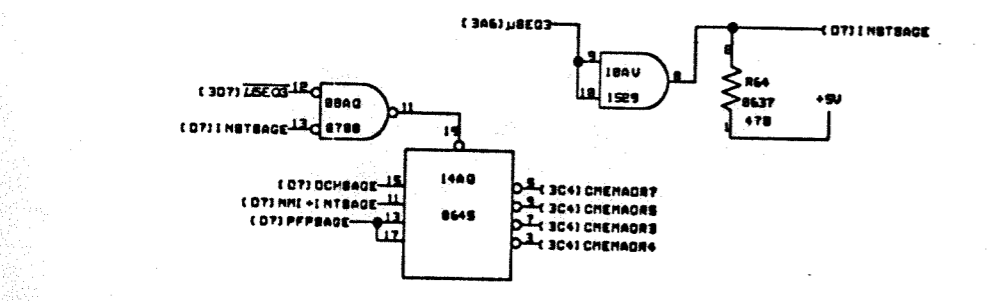
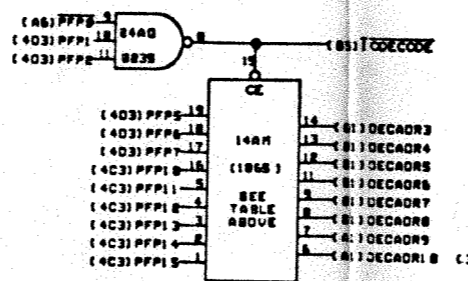
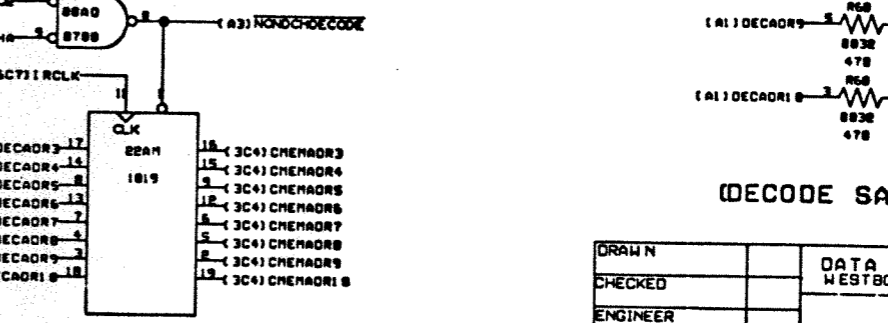
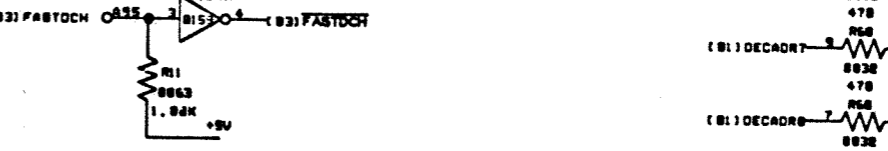
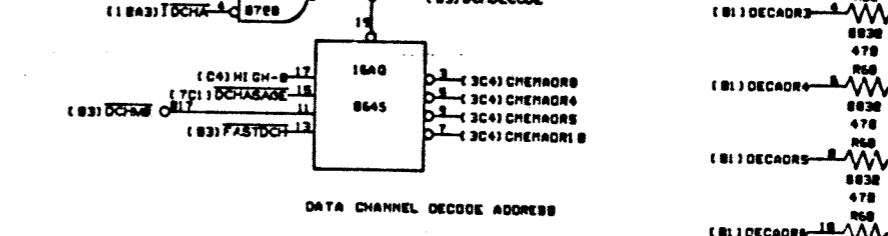
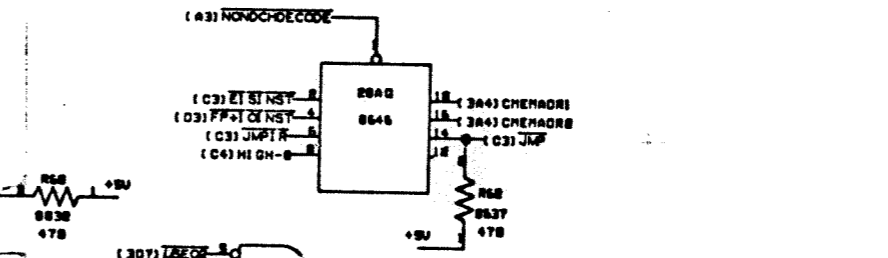
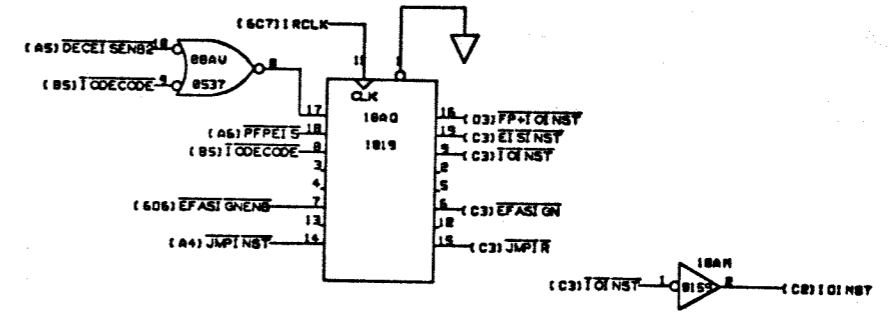


TABLE		
88581867	-	175A
88581795	-	176B
88581797	-	179B
88581795	-	179B

I/O DECODE PROGRAM



MEMORY REFERENCE DECODE PROGRAM

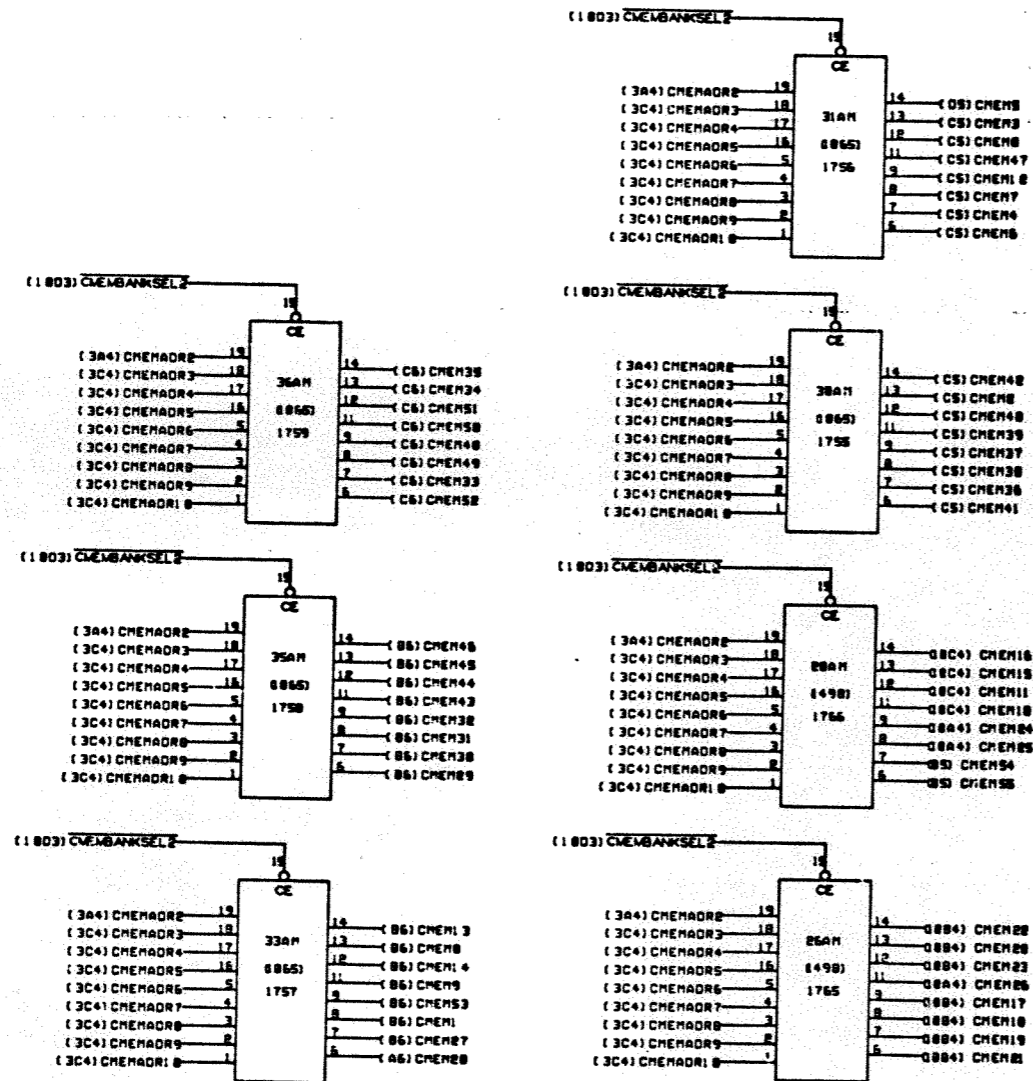


(DECODE SAGE)

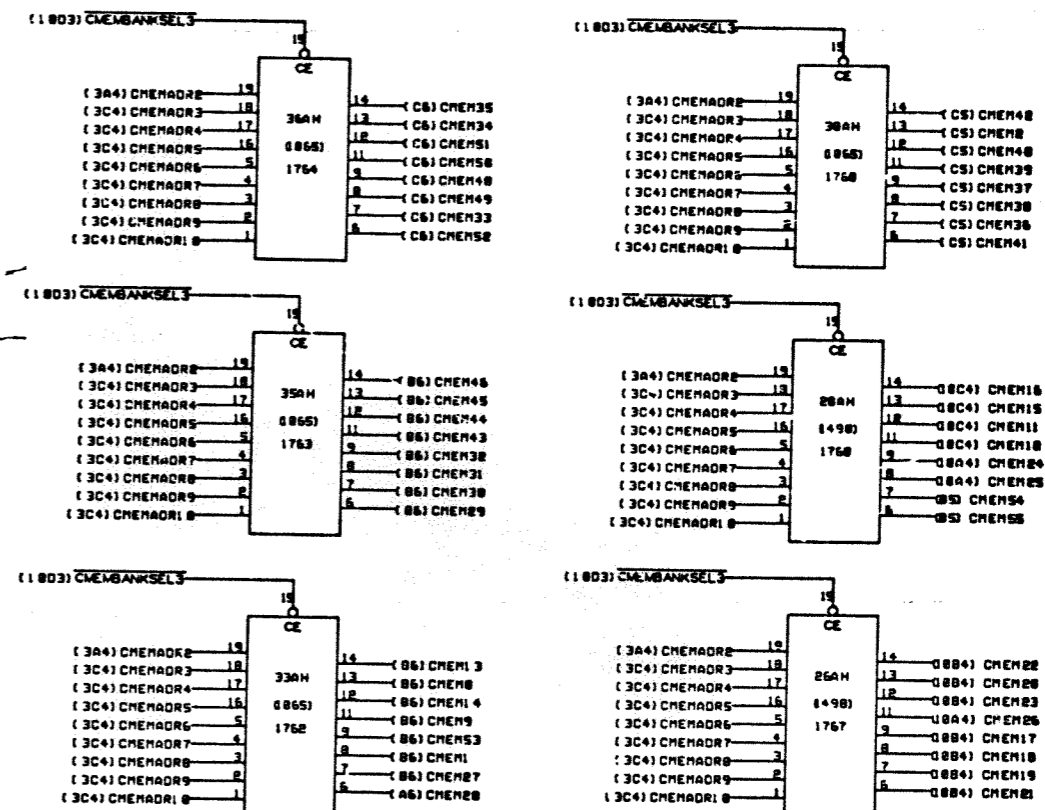
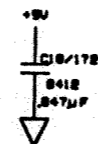
DRAWN		DATA GENERAL CORPORATION WESTBORO, MASSACHUSETTS 01581
CHECKED		
ENGINEER		
APPROVED		
FIRST USED ON		TITLE
		DGC NOVA
		SIZE CODE
		DRAWING NUMBER
		REV
		001001624 07
		1 SHEET 14 OF 16

THIS DRAWING AND SPECIFICATIONS, HEREIN, ARE THE PROPERTY OF DATA GENERAL CORPORATION AND SHALL NOT BE REPRODUCED OR COPIED OR USED IN WHOLE OR IN PART AS THE BASIS FOR MANUFACTURE OR SALE OF ITEMS WITHOUT WRITTEN PERMISSION.

REVISIONS			
REV	DESCRIPTION	DRFTG	APP BY



CONTROL MEMORY ADDRESSES 2800 TO 2777



CONTROL MEMORY CONTROL RAM ADDRESSES 3000 TO 3777

(CONTROL ROMARRAY)

DRAWN		DATA GENERAL CORPORATION WESTBORO, MASSACHUSETTS 01581
CHECKED		TITLE
ENGINEER		DGC NOVA
APPROVED		
FIRST USED ON		
B12 CODE	DRAWING NUMBER	REV
0	001001624	07

THIS DRAWING AND SPECIFICATIONS, HEREIN, ARE THE PROPERTY OF DATA GENERAL CORPORATION AND SHALL NOT BE REPRODUCED OR COPIED OR USED IN WHOLE OR IN PART AS THE BASIS FOR MANUFACTURE OR SALE OF ITEMS WITHOUT WRITTEN PERMISSION.

REVISIONS				
REV	DESCRIPTION	DRAFTS	APP BY	DATE

- A001 O GND
- A002 O GND
- A003 O +5V
- A004 O +5V
- A005 O MEMWRITE
- A006 O MEMOUT0
- A007 O MCSREG
- A008 O MEMOUT1
- A009 O +15V
- A010 O MEMOUT3
- A011 O MEMOUT10
- A012 O MEMOUT8
- A013 O GND
- A014 O MEMOUT4
- A015 O MEMOUT14
- A016 O MEMOUT5
- A017 O MEMOUT11
- A018 O MEMOUT7
- A019 O MEMOUT15
- A020 O MEMOUT6
- A021 O MEMOUT9
- A022 O MEMOUT13
- A023 O GND
- A024 O MEMOUT8
- A025 O MEMOUT18
- A026 O MEMWAIT
- A027 O GND
- A028 O GND
- A029 O 84CLK
- A030 O GND
- A031 O WSKO
- A032 O 820CLK
- A033 O INTA
- A034 O GND
- A035 O DAT18
- A036 O 8MEMCLK
- A037 O DAT1A
- A038 O GND
- A039 O DS3
- A040 O 5MHzCLK
- A041 O DATOC
- A042 O ENB10CLK
- A043 O CLR

- A051 O MEMSORY
- A052 O STRT
- A053 O DAT1C
- A054 O MEMSTART
- A055 O DAT08
- A056 O INT
- A057 O DAT0A
- A058 O IR0
- A059 O DCHA
- A060 O IRS
- A061 O DS4
- A062 O IR0
- A063 O DS3
- A064 O GND
- A065 O DS2
- A066 O IR1
- A067 O DST
- A068 O FIR3
- A069 O IORST
- A070 O FIR4
- A071 O DS0
- A072 O IR0
- A073 O IOPL0
- A074 O IR0
- A075 O FPCPU
- A076 O FPTS
- A077 O FPMEM
- A078 O FFSKPT
- A079 O SEL0
- A080 O CLEAR0END
- A081 O SEL0
- A082 O ITT0
- A083 O FFINST
- A084 O TTOUT
- A085 O FFB
- A086 O LCLK
- A087 O READERRUN
- A088 O 50MHz
- A089 O FPABORT
- A090 O PSCLK
- A091 O TTIN
- A092 O FASTOCH
- A093 O MEMOK
- A094 O +5V
- A095 O +5V
- A096 O GND
- A097 O GND

- 0001 O GND
- 0002 O GND
- 0003 O +5V
- 0004 O +5V
- 0005 O GND
- 0006 O MEMIN9
- 0007 O MEMIN8
- 0008 O MEMIN7
- 0009 O MEMIN6
- 0010 O GND
- 0011 O MEMIN0
- 0012 O FFSKPT
- 0013 O MEMIN1
- 0014 O MEMIN0
- 0015 O DCHM0
- 0016 O MEMIN3
- 0017 O GND
- 0018 O MEMIN7
- 0019 O GND
- 0020 O MEMIN6
- 0021 O GPRESET
- 0022 O MEMIN5
- 0023 O GPRESET
- 0024 O MEMIN4
- 0025 O MEMIN0
- 0026 O INTA
- 0027 O MEMIN0
- 0028 O MEMIN0
- 0029 O MEMIN0
- 0030 O MEMIN0
- 0031 O MEMIN0
- 0032 O MEMIN0
- 0033 O MEMIN0
- 0034 O MEMIN0
- 0035 O MEMIN0
- 0036 O MEMIN0
- 0037 O MEMIN0
- 0038 O MEMIN0
- 0039 O MEMIN0
- 0040 O MEMIN0
- 0041 O MEMIN0
- 0042 O MEMIN0
- 0043 O MEMIN0
- 0044 O MEMIN0
- 0045 O MEMIN0
- 0046 O MEMIN0
- 0047 O MEMIN0
- 0048 O MEMIN0
- 0049 O MEMIN0
- 0050 O MEMIN0

- 0051 O CONRSTH
- 0052 O CONRSTL
- 0053 O PWRFAIL
- 0054 O DATA7
- 0055 O DATA14
- 0056 O DATA3
- 0057 O DATA11
- 0058 O DATA10
- 0059 O DATA6
- 0060 O DATA4
- 0061 O DATA7
- 0062 O DATA9
- 0063 O DATA13
- 0064 O DATA1
- 0065 O DATA18
- 0066 O GND
- 0067 O GND
- 0068 O GND
- 0069 O GND
- 0070 O DATA3
- 0071 O EXOCH
- 0072 O DATA0
- 0073 O -11V
- 0074 O PM ROK
- 0075 O GND
- 0076 O DATA2
- 0077 O INHSEL
- 0078 O FFPREG
- 0079 O +15V
- 0080 O +15V
- 0081 O GND
- 0082 O +15V
- 0083 O GND
- 0084 O GND
- 0085 O DATA8
- 0086 O +5V
- 0087 O +5V
- 0088 O GND
- 0089 O GND
- 0090 O GND
- 0091 O GND
- 0092 O GND
- 0093 O GND
- 0094 O GND
- 0095 O GND
- 0096 O GND
- 0097 O GND
- 0098 O GND
- 0099 O GND
- 0100 O GND

DRAWN		DATA GENERAL CORPORATION WESTBORO, MASSACHUSETTS 01581	
CHECKED		TITLE	
ENGINEER		DGC NOVA	
APPROVED		SIZE CODE	DRAWING NUMBER
FIRST USED ON		0	001001624 07
		1 SHEET 1816	