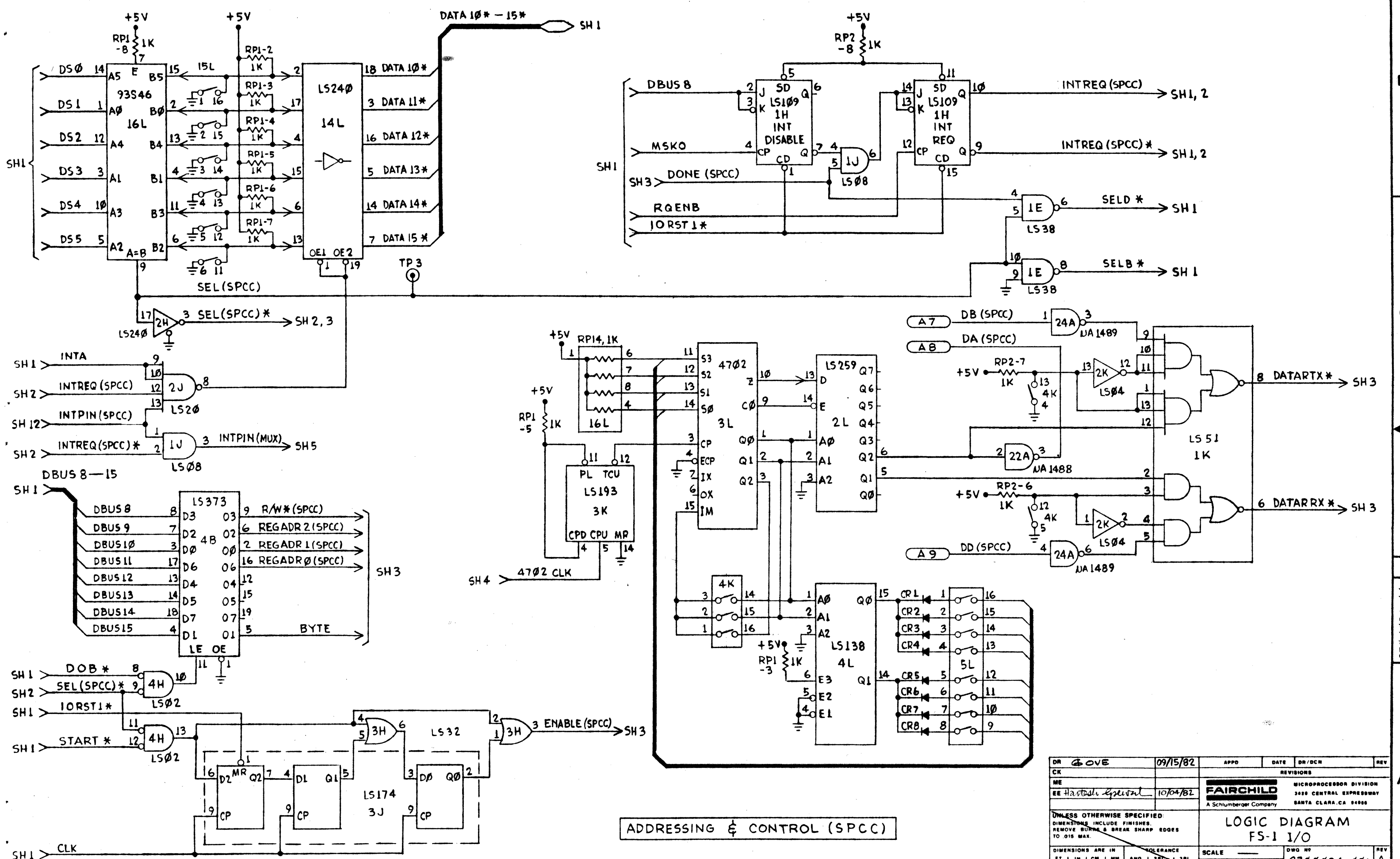


(O.C.) = OPEN COLLECTOR OUTPUT

DR	DOVE	09/15/82	APPD	DATE	DR/DCN	REV
CK						
ME						
EE	Hortelsk Epluat	10/04/82				
UNLESS OTHERWISE SPECIFIED: DIMENSIONS INCLUDE FINISHES. REMOVE BURRS & BREAK SHARP EDGES TO 015 MAX.			FAIRCHILD MICROPROCESSOR DIVISION 3420 CENTRAL EXPRESSWAY SANTA CLARA, CA 95050 A Schlumberger Company			
DIMENSIONS ARE IN			TOLERANCE		SCALE	
FT	IN	CM	MM	ANG	2PL	3PL
SHEET 1 OF 17			DWG NO		REV	
			8700094-001		A	

I/O BUS INTERFACE

8700094-001



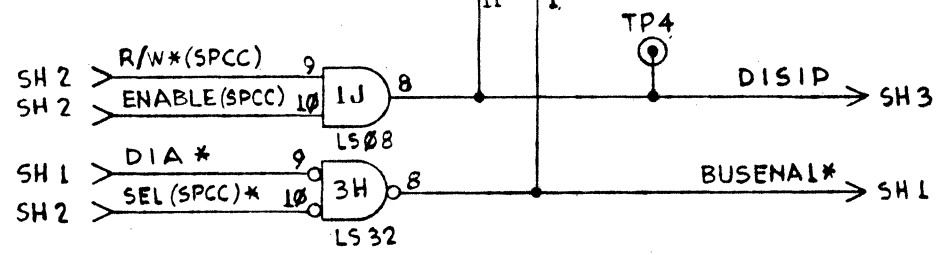
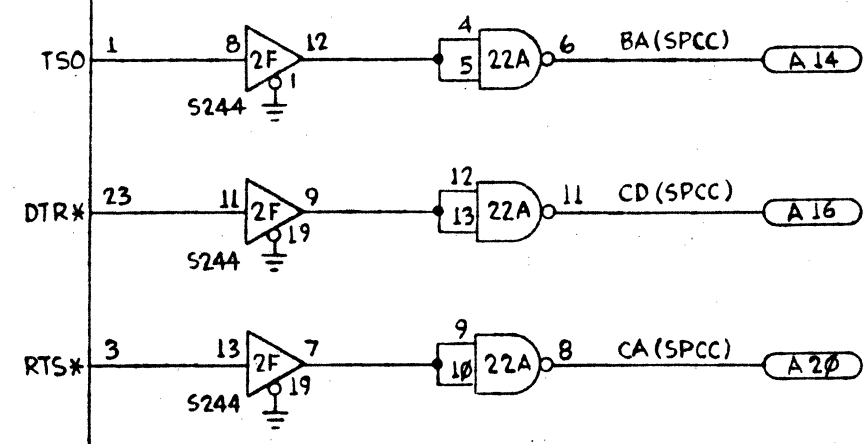
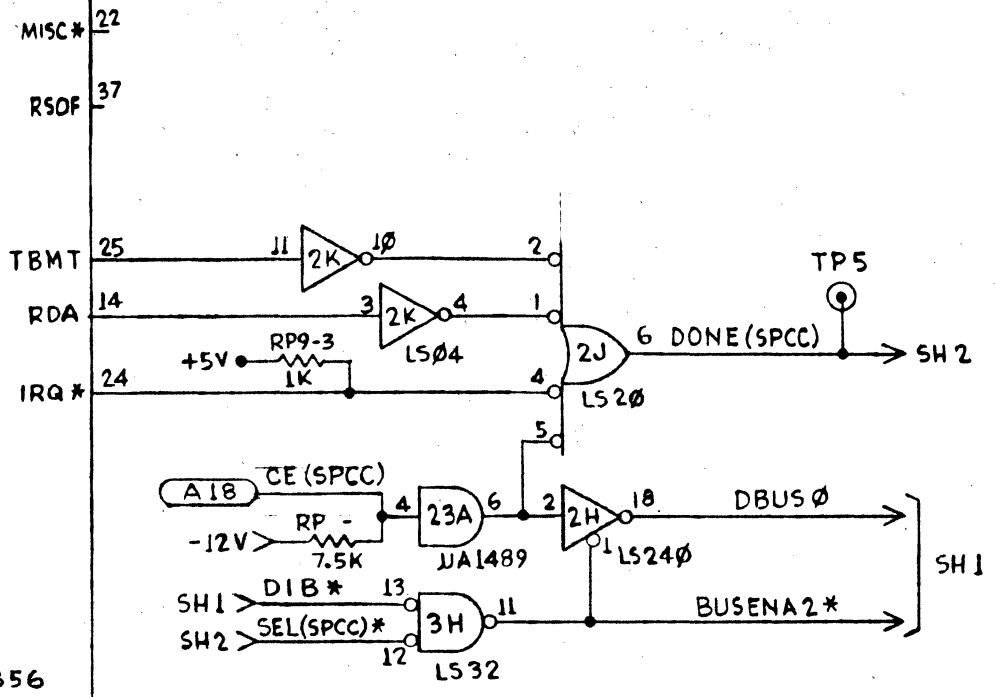
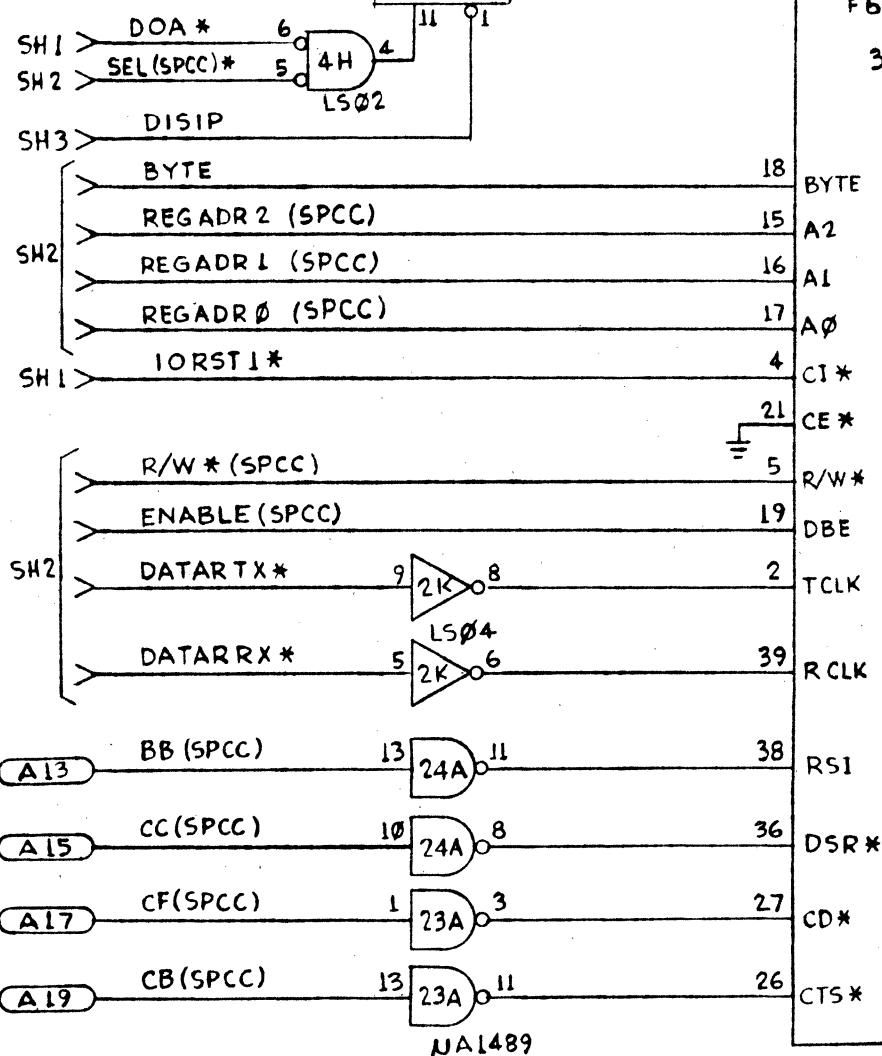
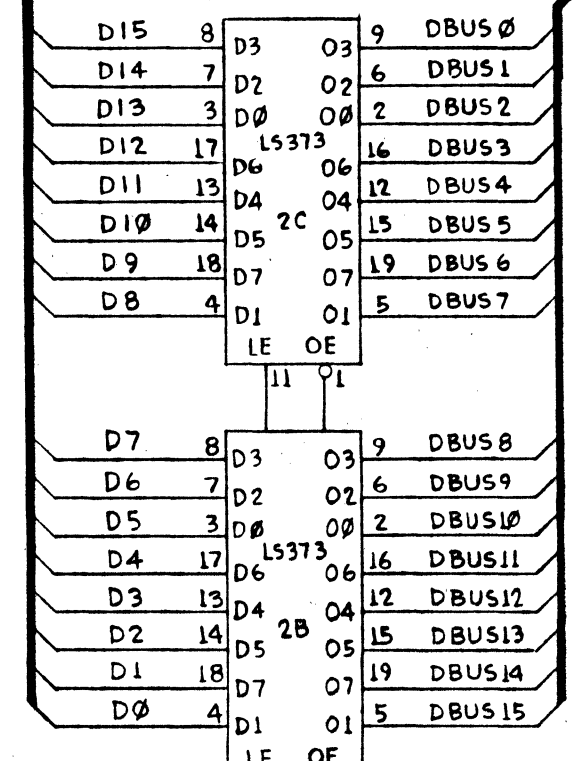
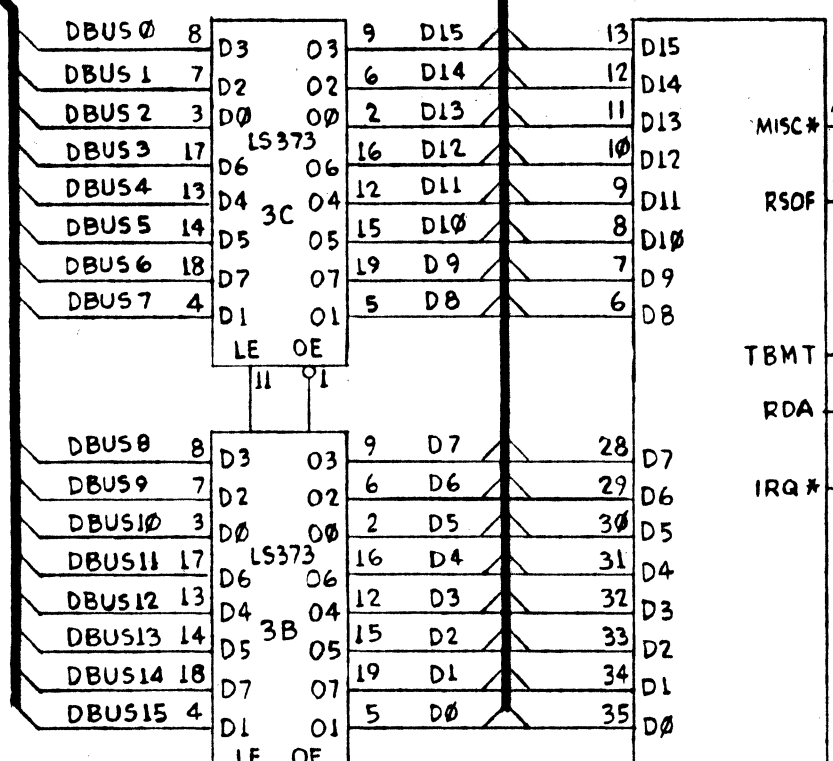
ADDRESSING & CONTROL (SPCC)

DR	GOVE	09/15/82	APPO	DATE	DR/DCN	REV
CK						
ME						
EE	Hartshorn	10/04/82				
UNLESS OTHERWISE SPECIFIED: DIMENSIONS INCLUDE FINISHES. REMOVE BURRS & BREAK SHARP EDGES TO .015 MAX.			FAIRCHILD MICROPROCESSOR DIVISION 3425 CENTRAL EXPRESSWAY SANTA CLARA, CA 95050 A Schlumberger Company			
LOGIC DIAGRAM FS-1 I/O			SCALE _____ DWG NO _____			
DIMENSIONS ARE IN _____ TOLERANCE _____			SHEET 2 OF 17 8700094-001 A			

8700094-001

SH1 DBUS 0-15

DBUS 0-15 SH1

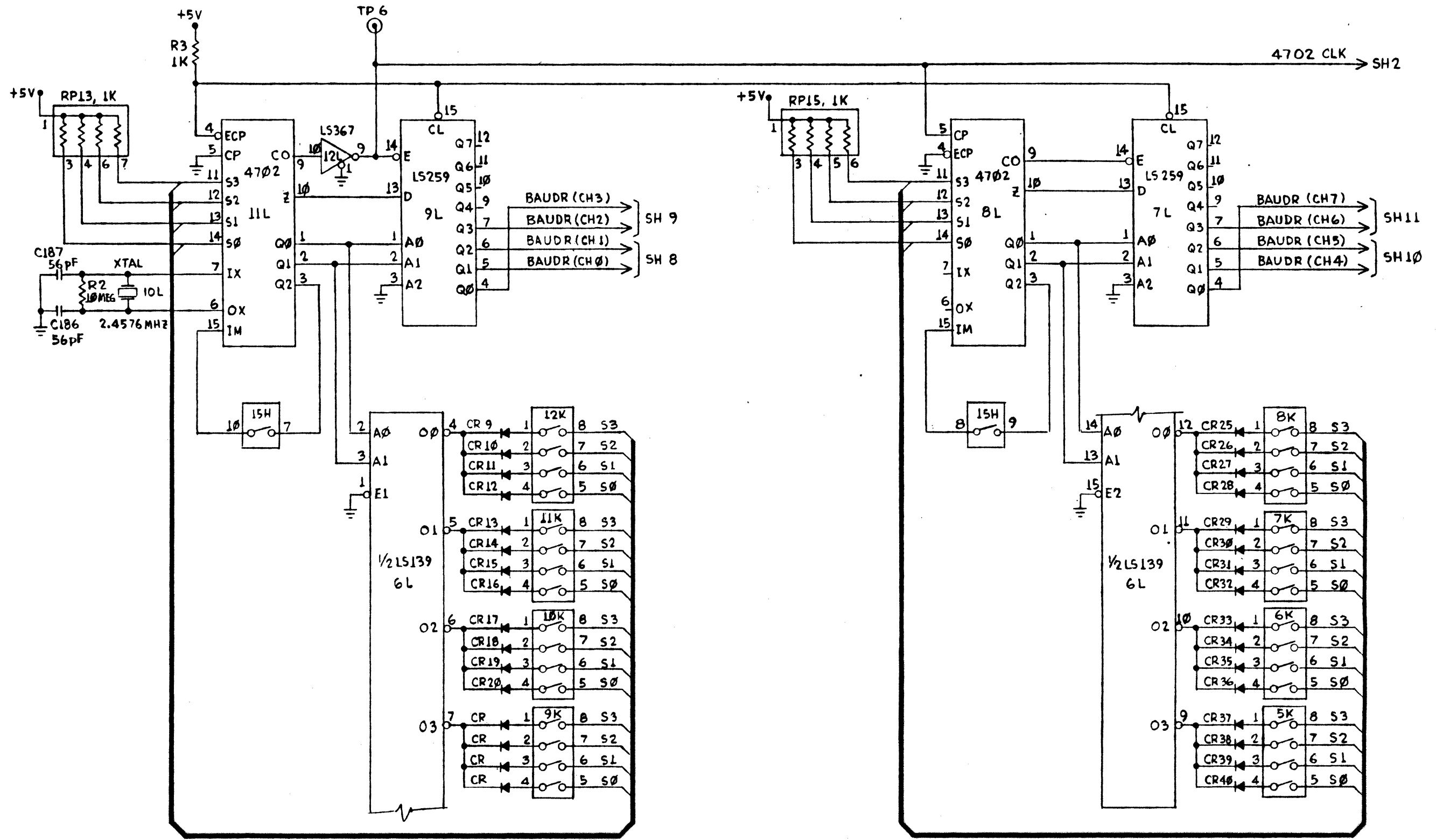


DATA PATH (SPCC)

DR	GOVE	09/15/82	APPD	DATE	DR/DCN	REV
CK			REVISIONS			
ME			FAIRCHILD MICROPROCESSOR DIVISION			
EE	<i>Harish Gupta</i>	10/04/82	3030 CENTRAL EXPRESSWAY SANTA CLARA, CA 95050			
UNLESS OTHERWISE SPECIFIED: DIMENSIONS INCLUDE FINISHES. REMOVE BURRS & BREAK SHARP EDGES TO 015 MAX.			LOGIC DIAGRAM FS-1 I/O			
DIMENSIONS ARE IN		TOLERANCE		SCALE	DWG NO	REV
FT	IN	CM	MM	AND	3PL	3PL
				SHEET 3 OF 17	8700094-001A	

D
C
B
A

8700094-001

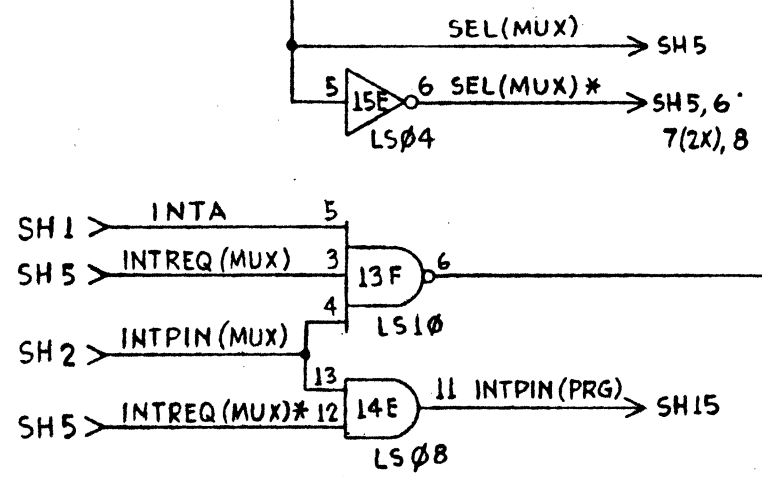
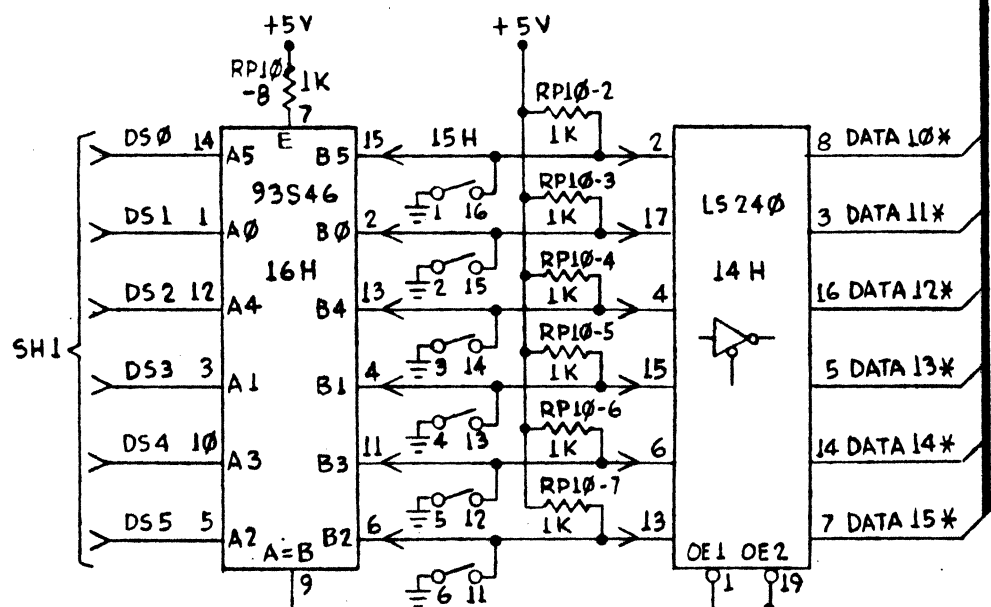


BAUD RATE GENERATOR (MUX, CH0-7)

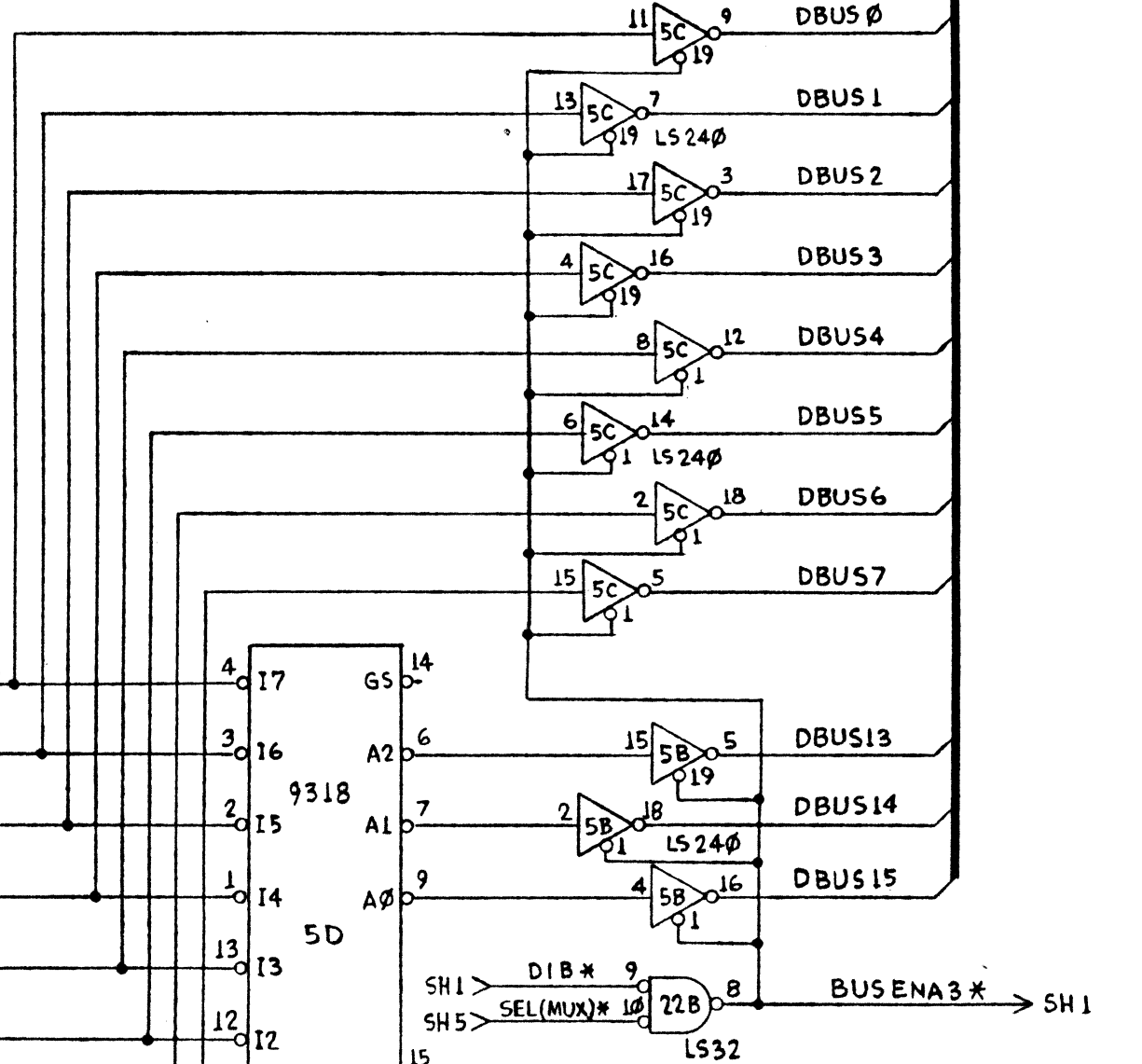
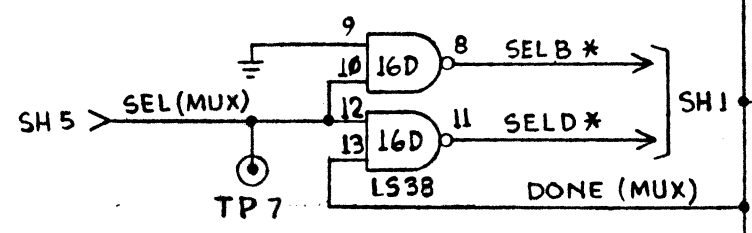
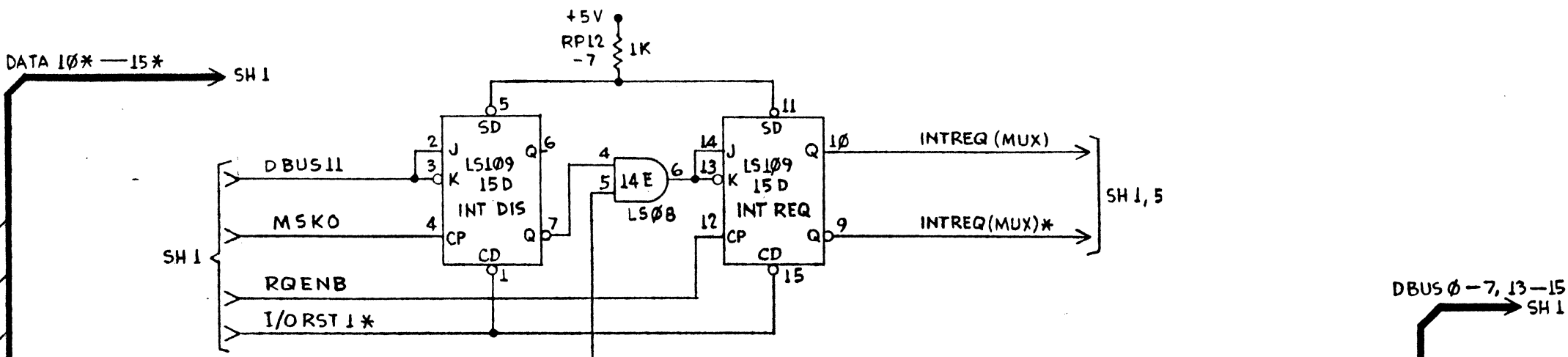
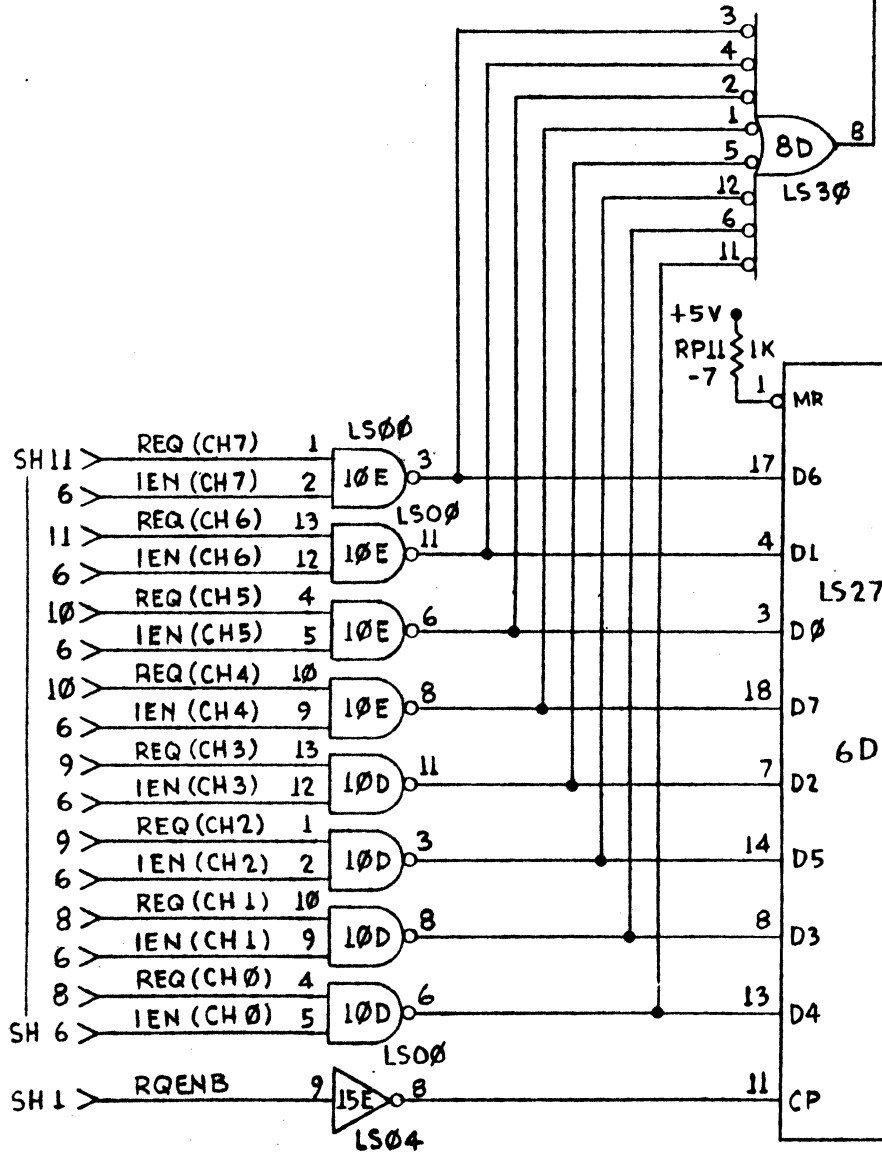
DR	DOVE	09/15/82	APPD	DATE	DR/DCN	REV
CR			REVISIONS			
ME			MICROPROCESSOR DIVISION			
EE	Hartshorn	10/04/82	3420 CENTRAL EXPRESSWAY			
			SANTA CLARA, CA 95050			
UNLESS OTHERWISE SPECIFIED: DIMENSIONS INCLUDE FINISHES. REMOVE BURRS & BREAK SHARP EDGES TO .015 MAX.			LOGIC DIAGRAM FS-1 I/O			
DIMENSIONS ARE IN		TOLERANCE	SCALE	DWG NO	REV	
FT	IN	CM	MM	ANG	3PL	3PL
			SHEET 4 OF 17	8700094-001	A	

8700094-001

D
C
B
A

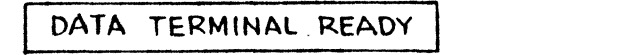
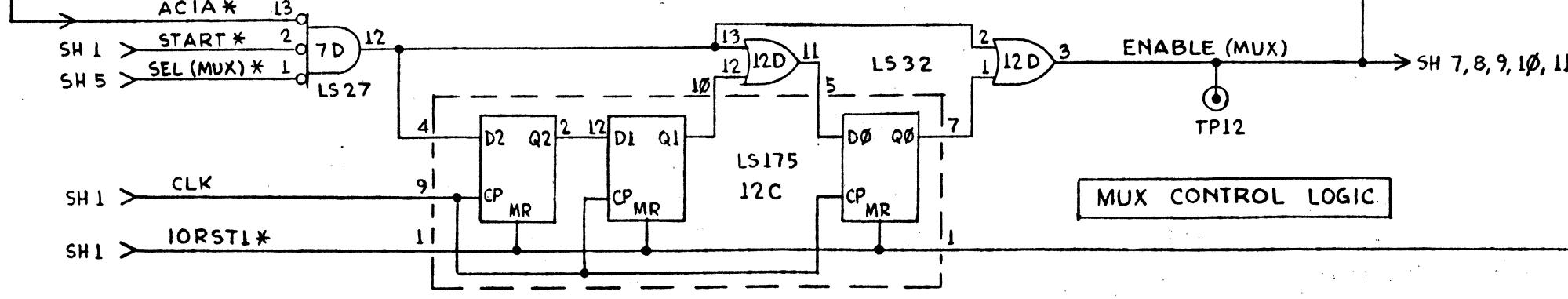
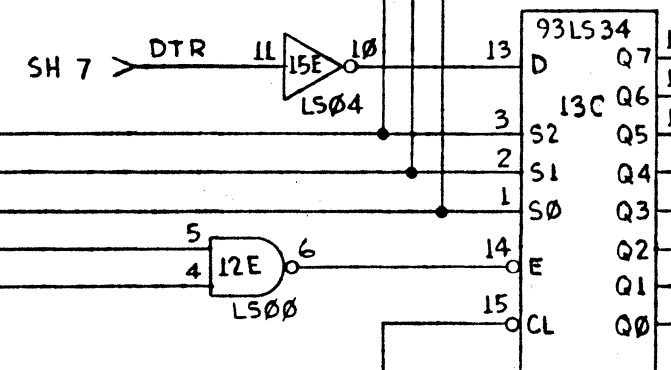
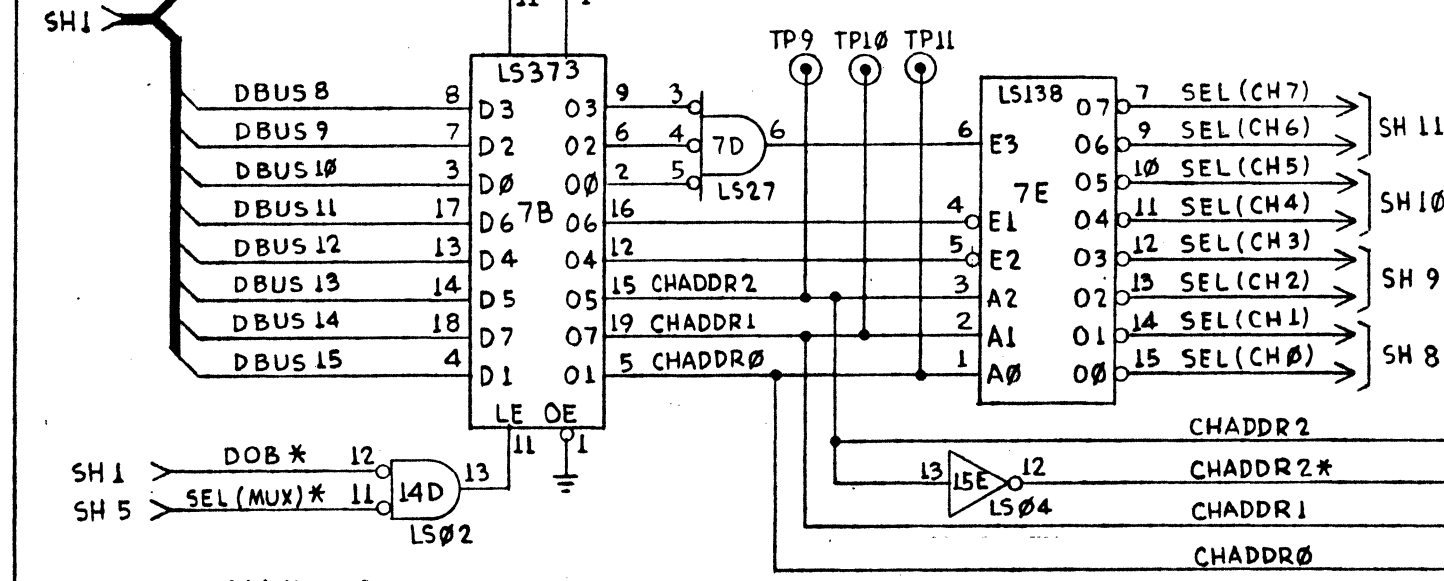
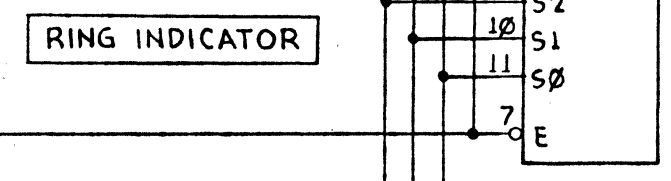
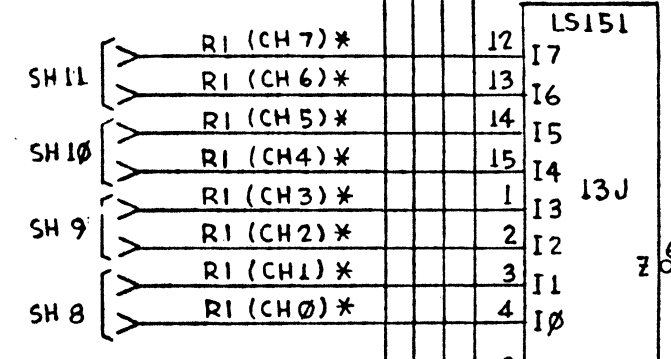
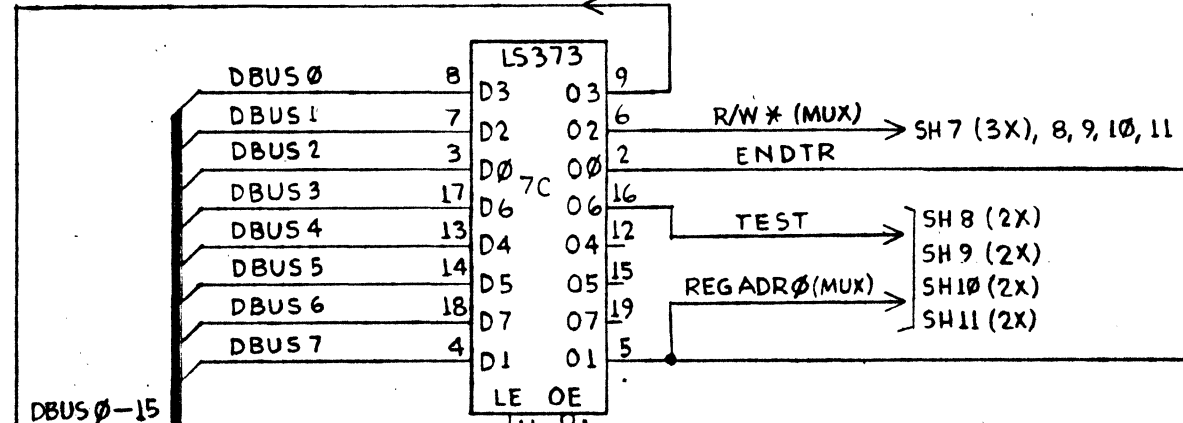
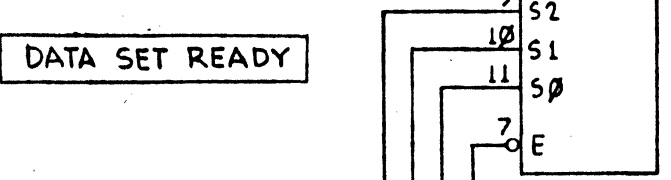
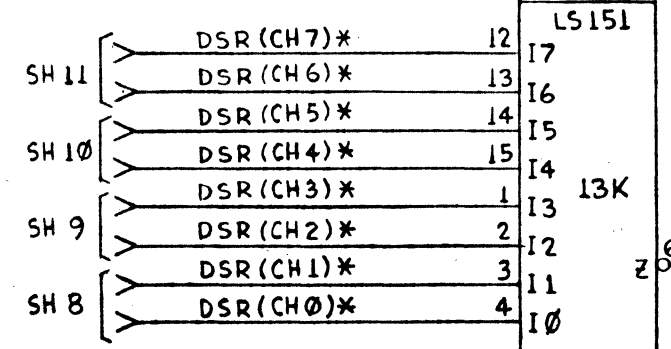
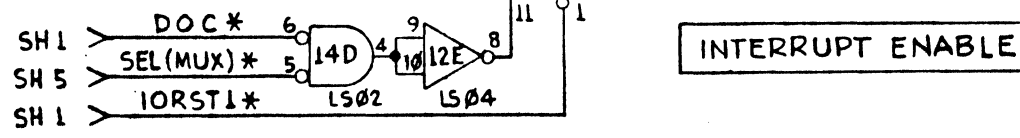
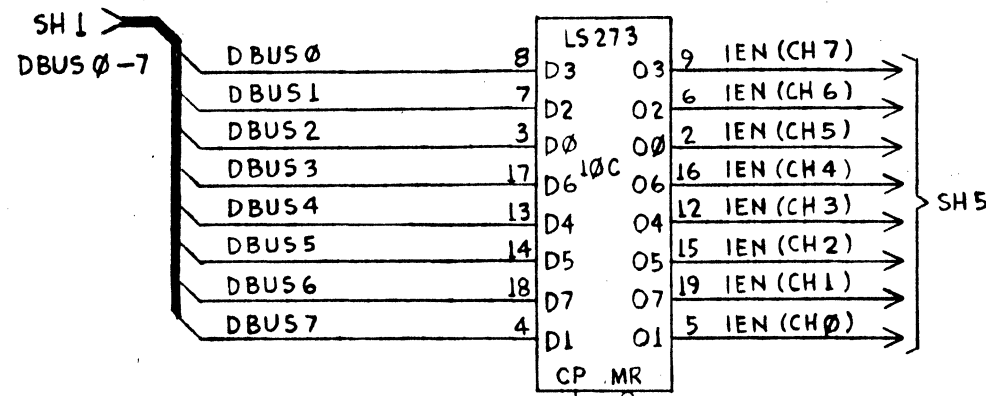


DEVICE DECODE &
 INTERRUPT REQUEST ARBITRATION



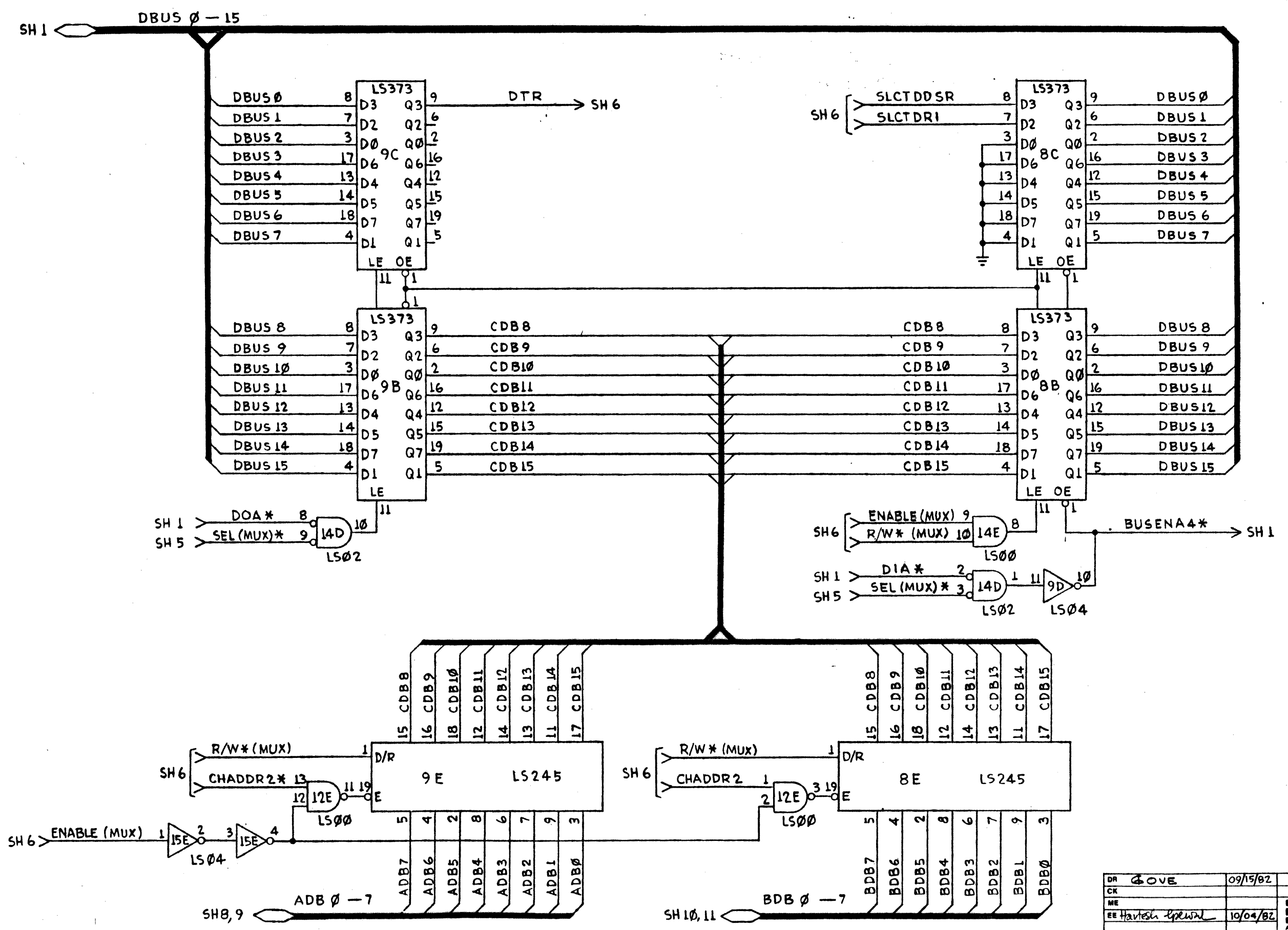
DR	DOVE	09/15/82	APPD	DATE	DR/DCR	REV
CK						
ME						
EE	Hatched Special	10/04/82				
UNLESS OTHERWISE SPECIFIED: DIMENSIONS INCLUDE FINISHES. REMOVE BURRS & BREAK SHARP EDGES TO .015 MAX.			FAIRCHILD MICROPROCESSOR DIVISION 3420 CENTRAL EXPRESSWAY A Schumacher Company SANTA CLARA, CA 95050			
DIMENSIONS ARE IN FT IN CM MM ANG SPL SPL			SCALE		DWG NO	REV
SHEET 5 OF 17					8700094-001A	

LOGIC DIAGRAM
 FS-1 I/O



DR	GOVE	09/15/82	APPD	DATE	DR/DCM	REV
CK			REVISIONS			
ME			FAIRCHILD MICROPROCESSOR DIVISION			
EE	Hartshorn	10/04/82	3430 CENTRAL EXPRESSWAY			
			SANTA CLARA, CA 95050			
UNLESS OTHERWISE SPECIFIED: DIMENSIONS INCLUDE FINISHES. REMOVE BURRS & BREAK SHARP EDGES TO .015 MAX.						
DIMENSIONS ARE IN			TOLERANCE	SCALE	DWG NO	REV
FT	IN	CM	MM	ANG	DPS	SPL
SHEET 6 OF 17					8700094-001	A

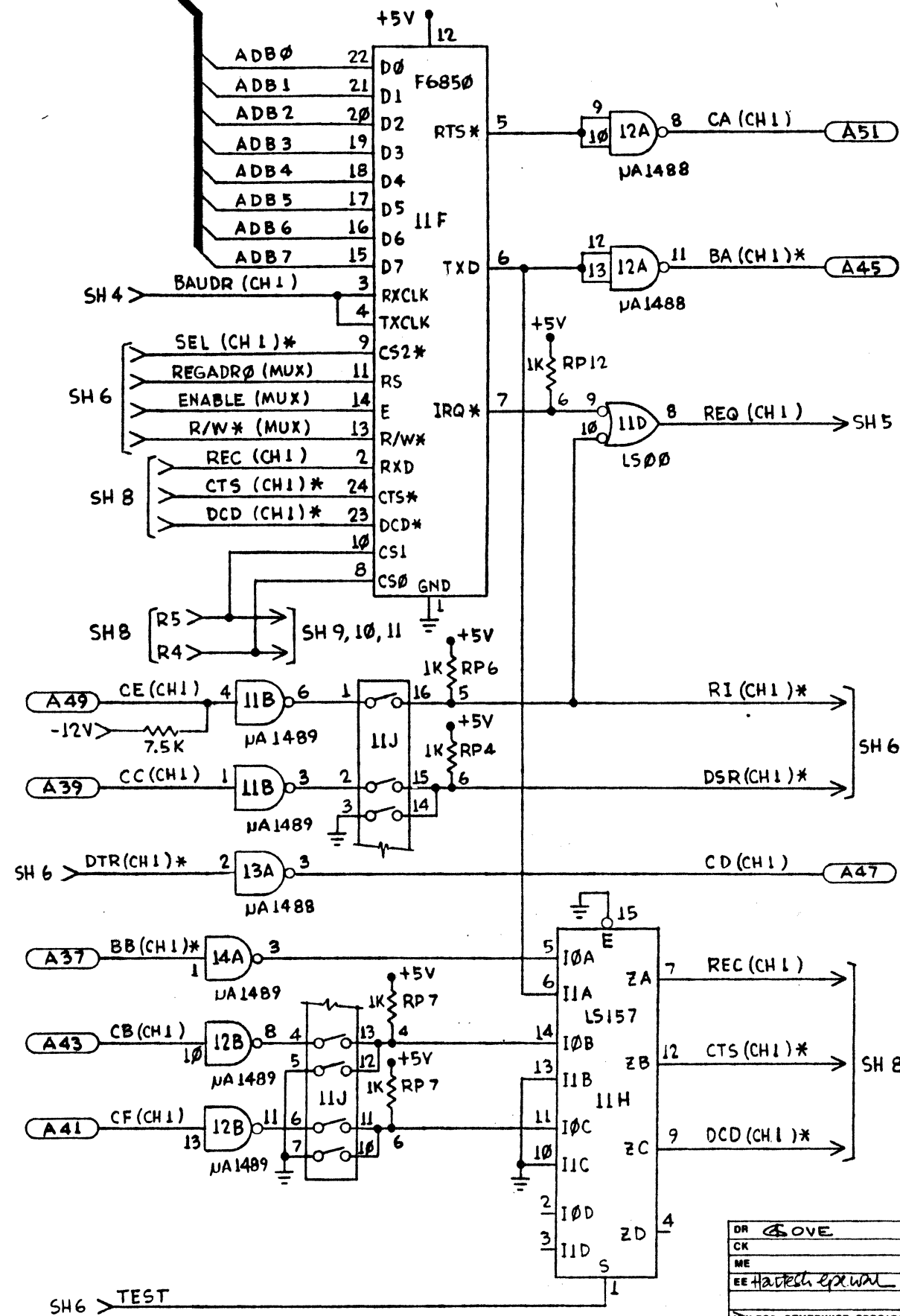
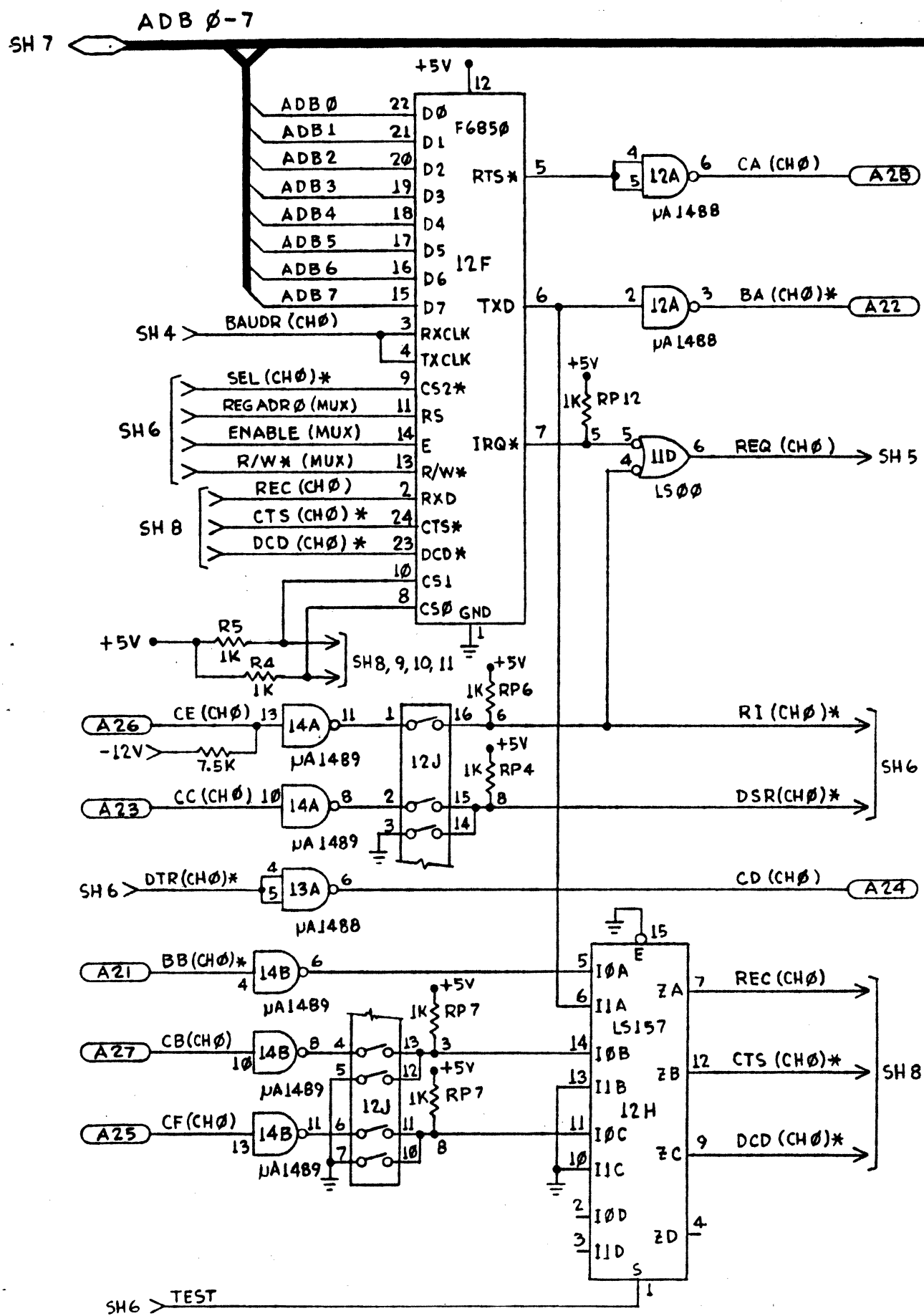
LOGIC DIAGRAM
FS-1 J/O



ACIA DATA, STATUS, CONTROL PATH

DR	GOVE	09/15/82	APPD	DATE	DR/DCN	REV
CK						
ME						
EE	Havesh Upwal	10/04/82				
UNLESS OTHERWISE SPECIFIED: DIMENSIONS INCLUDE FINISHES. REMOVE BURRS & BREAK SHARP EDGES TO .015 MAX.			FAIRCHILD MICROPROCESSOR DIVISION 3020 CENTRAL EXPRESSWAY SANTA CLARA, CA 95050 A Schlumberger Company			
DIMENSIONS ARE IN			TOLERANCE		SCALE	
FT	IN	CM	MM	ANG	2PL	3PL
SHEET 7 OF 17			8700094-001		A	

D
C
B
8700094-001



DR	DOVE	09/15/82	APPD	DATE	DR/DCN	REV
CK						
ME						
EE	Harshbarger	10/04/82				
UNLESS OTHERWISE SPECIFIED: DIMENSIONS INCLUDE FINISHES. REMOVE BURRS & BREAK SHARP EDGES TO .015 MAX.			FAIRCHILD MICROPROCESSOR DIVISION 3425 CENTRAL EXPRESSWAY SANTA CLARA, CA 95050 A Schlumberger Company			
DIMENSIONS ARE IN			TOLERANCE		SCALE	
FT	IN	CM	MM	ANG	2PL	SPL
SHEET 8 OF 17			8700094-001		REV A	

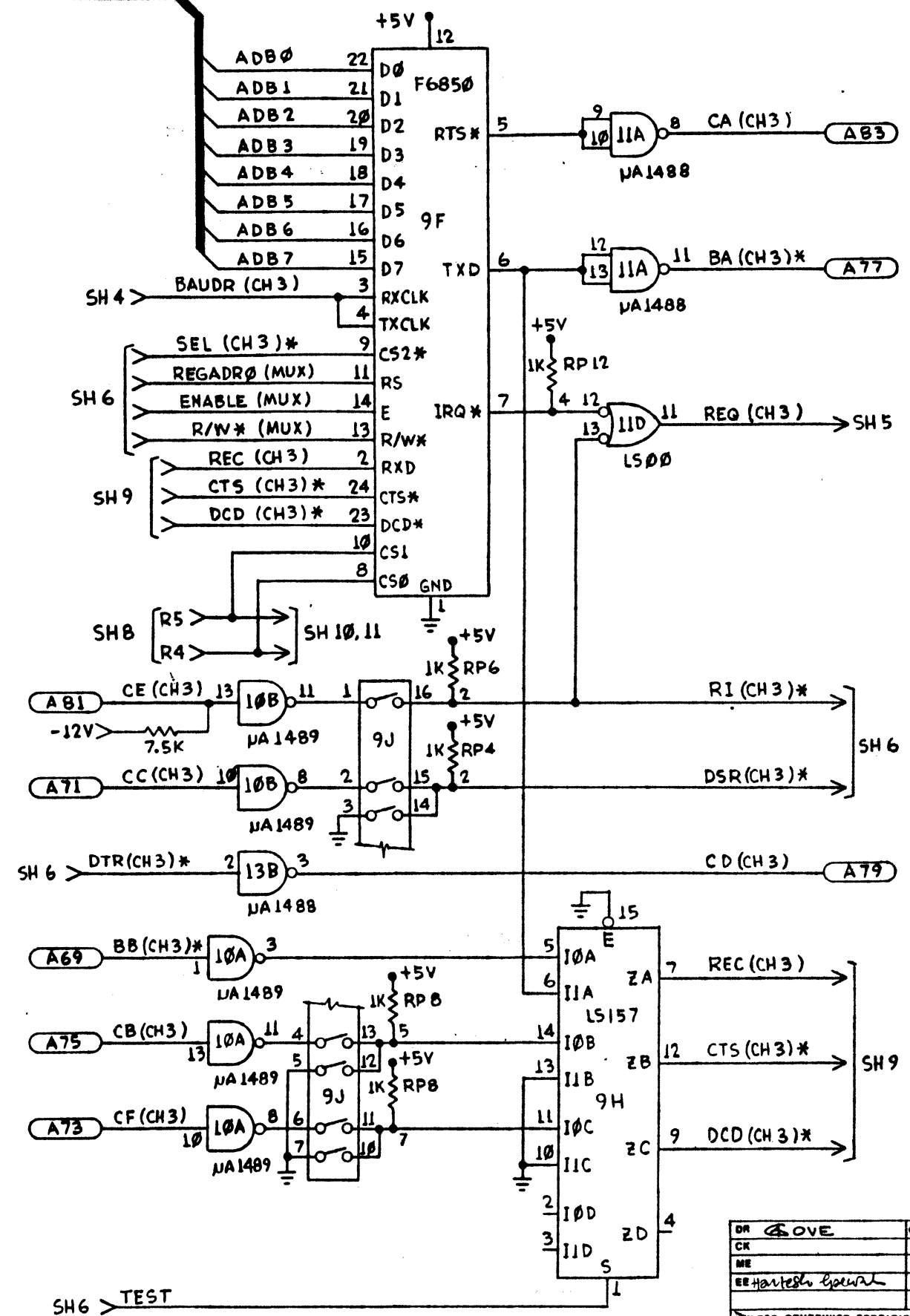
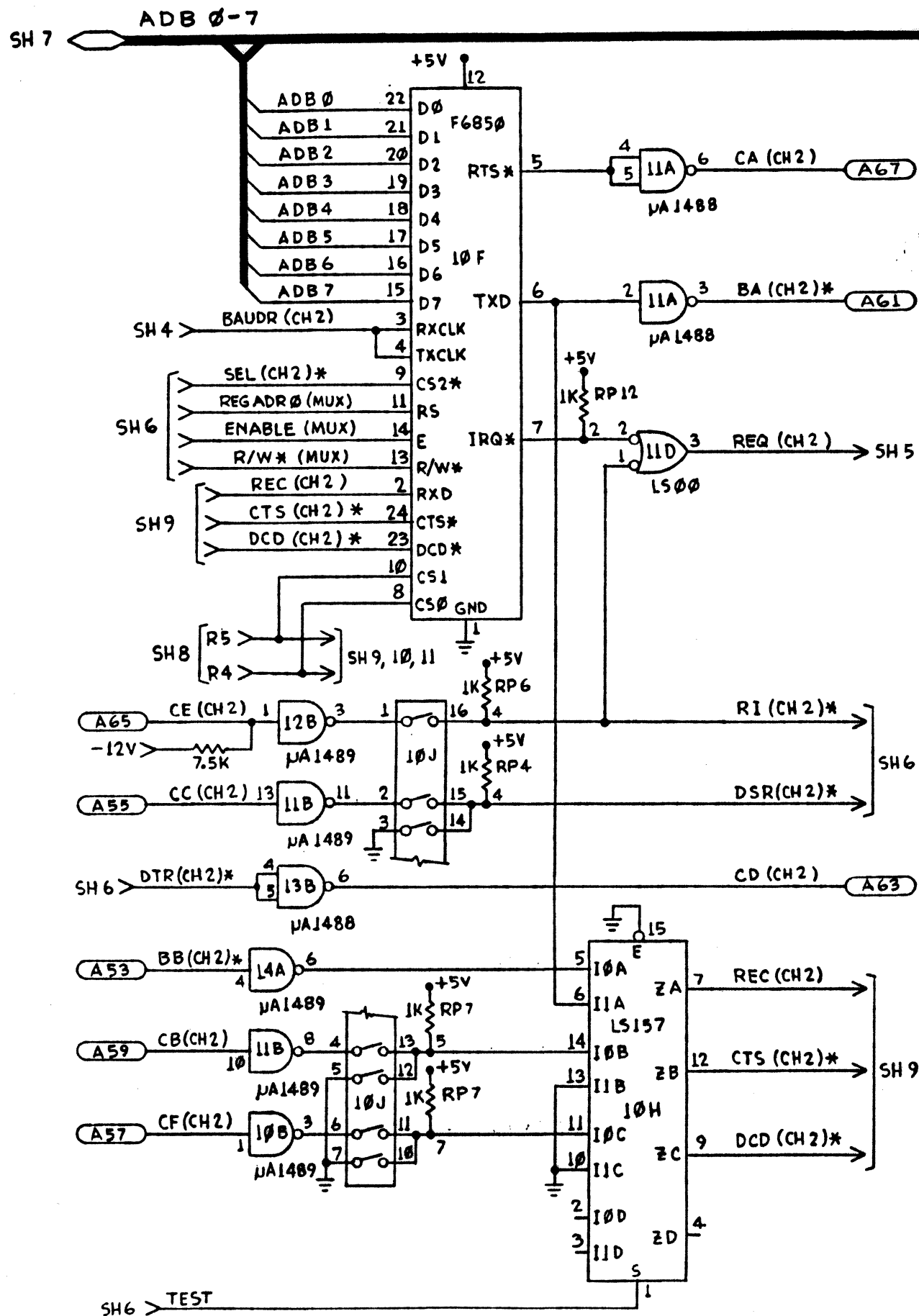
D

C

B

A

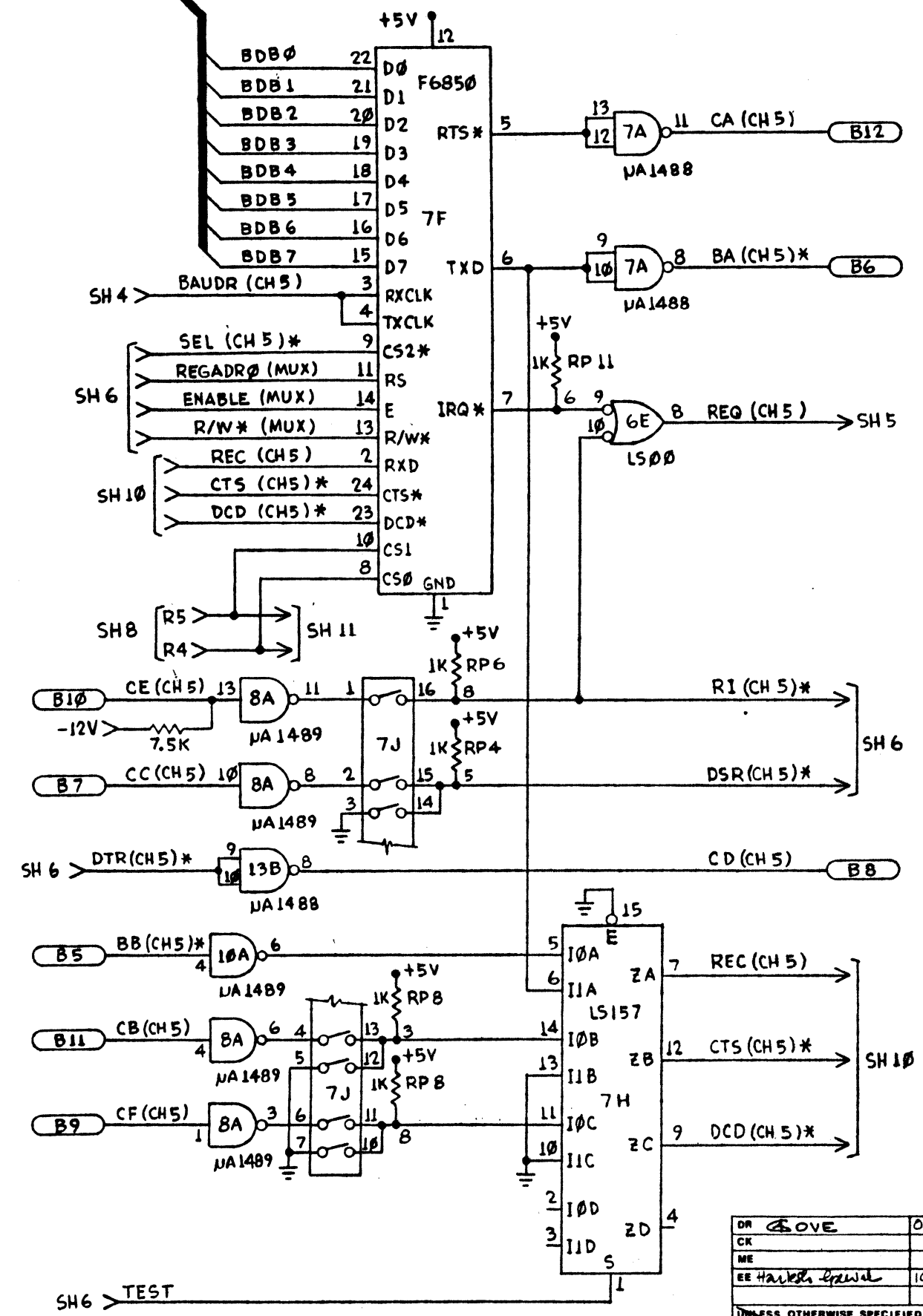
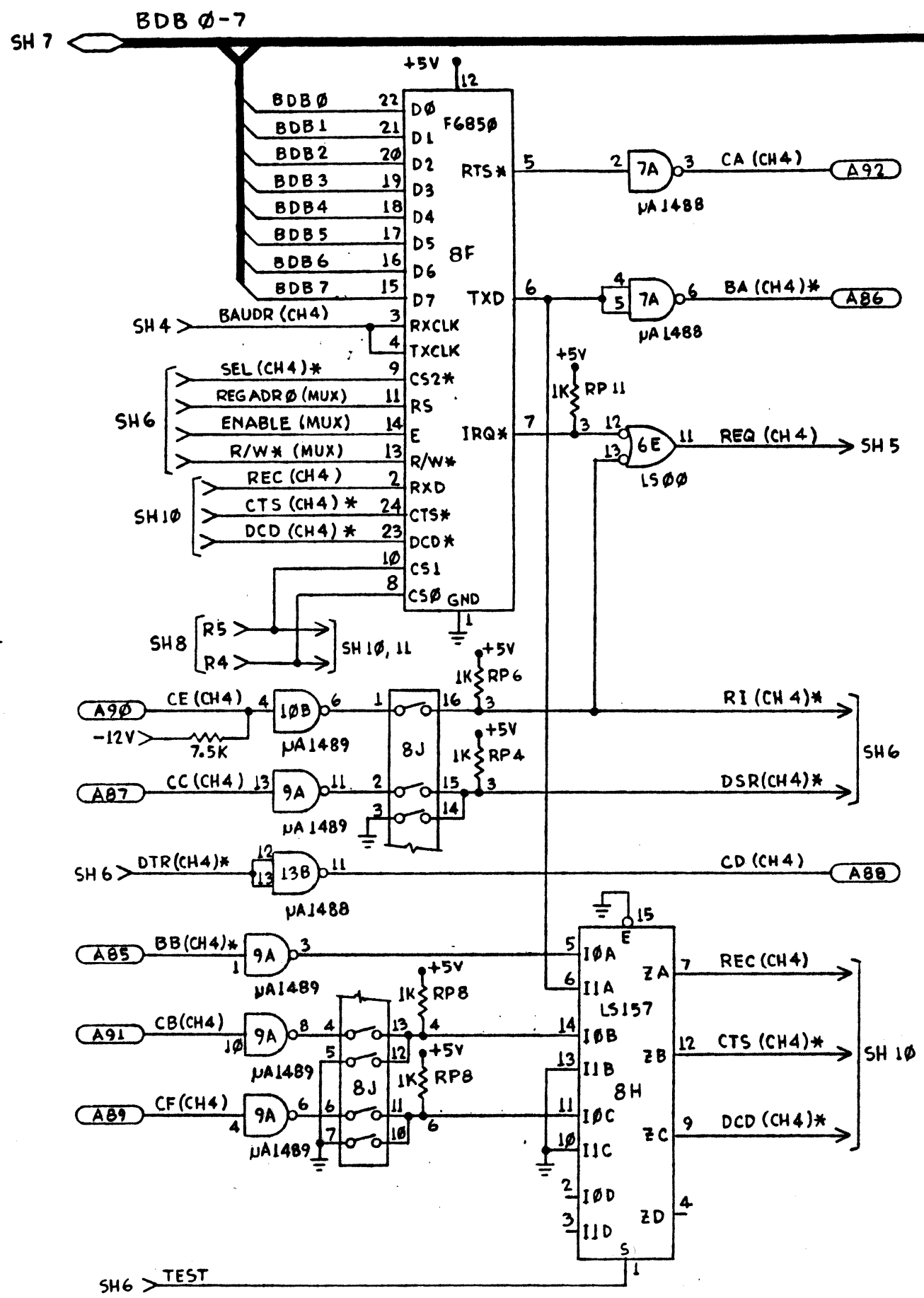
8700094-001



DR	GOVE	09/15/02	APPD	DATE	DR/DCN	REV
CK						
ME						
EE	Hartesh Kumar	10/04/02				
UNLESS OTHERWISE SPECIFIED: DIMENSIONS INCLUDE FINISHES. REMOVE BURRS & BREAK SHARP EDGES TO 0.10 MAX.			FAIRCHILD MICROPROCESSOR DIVISION 3020 CENTRAL EXPRESSWAY SANTA CLARA, CA 95050 A Schlumberger Company			
DIMENSIONS ARE IN			TOLERANCE			SCALE
FT	IN	CM	MM	ANG	ZPL	3PL
SHEET 9 OF 17			8700094-001			REV

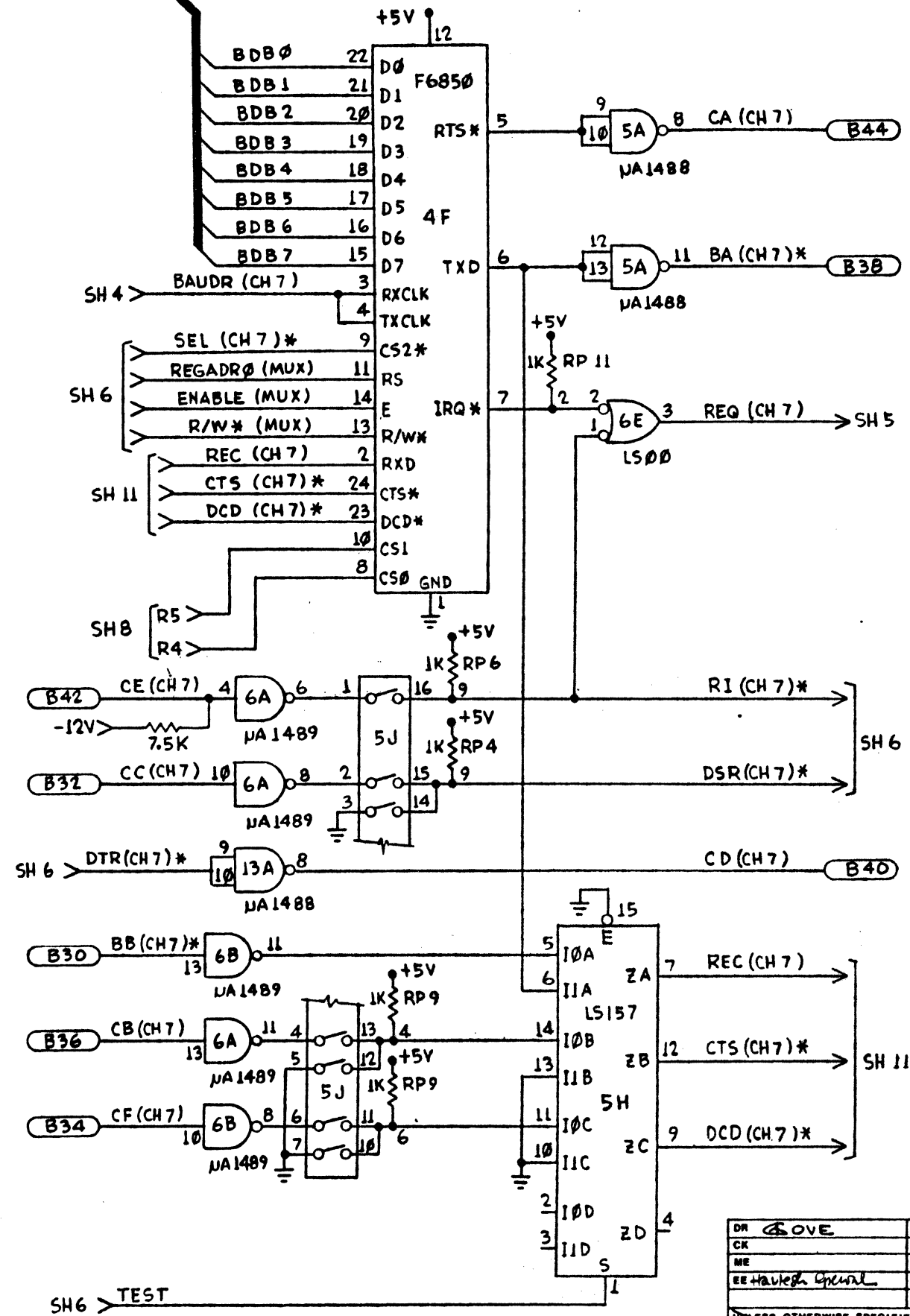
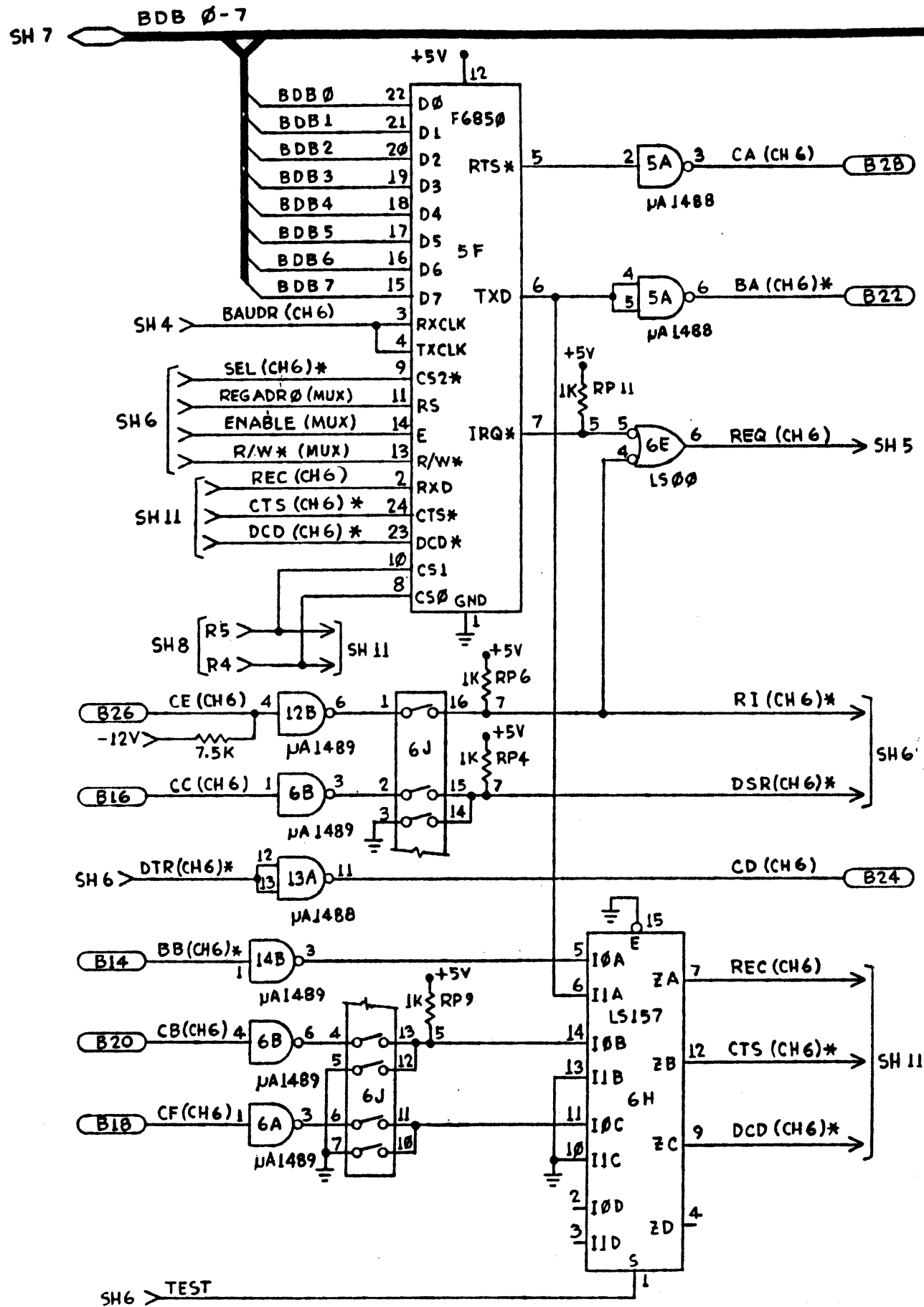
D
C
B
A

8700094-001

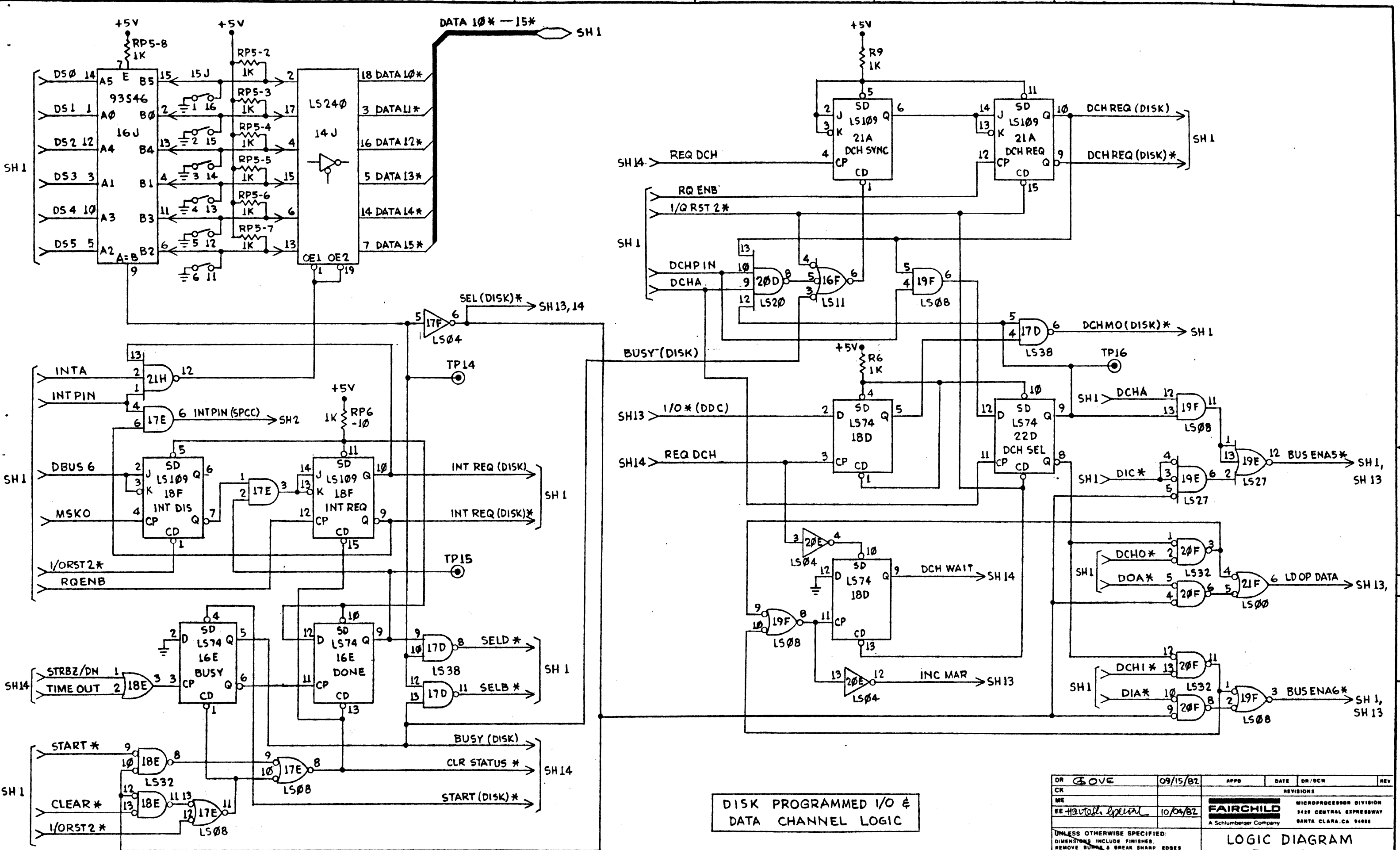


DR	DOVE	09/15/82	APPD	DATE	DR/DCN	REV
CK			REVISIONS			
ME			MICROPROCESSOR DIVISION			
EE	Harkins	10/04/82	2420 CENTRAL EXPRESSWAY			
			SANTA CLARA, CA 95050			
UNLESS OTHERWISE SPECIFIED: DIMENSIONS INCLUDE FINISHES. REMOVE BURRS & BREAK SHARP EDGES TO .015 MAX.						
DIMENSIONS ARE IN			TOLERANCE		SCALE	
FT	IN	CM	MM	ANG	SPL	DWG NO
SHEET 10 OF 17						8700094-001
LOGIC DIAGRAM						REV
FS-1 I/O						A

8700094-001



DR <u>GOVE</u>	09/15/82	APPD	DATE	DR/DCR	REV
CK		REVISIONS			
ME		FAIRCHILD MICROPROCESSOR DIVISION			
EE <u>Havighorn</u>	10/04/82	3420 CENTRAL EXPRESSWAY SANTA CLARA, CA 95050			
UNLESS OTHERWISE SPECIFIED: DIMENSIONS INCLUDE FINISHES. REMOVE BURRS & BREAK SHARP EDGES TO .015 MAX.					
DIMENSIONS ARE IN		TOLERANCE	SCALE	DWG NO	REV
FT	IN	MM	ANG	3PL	SPL
SHEET 11 OF 17				8700094-001	A

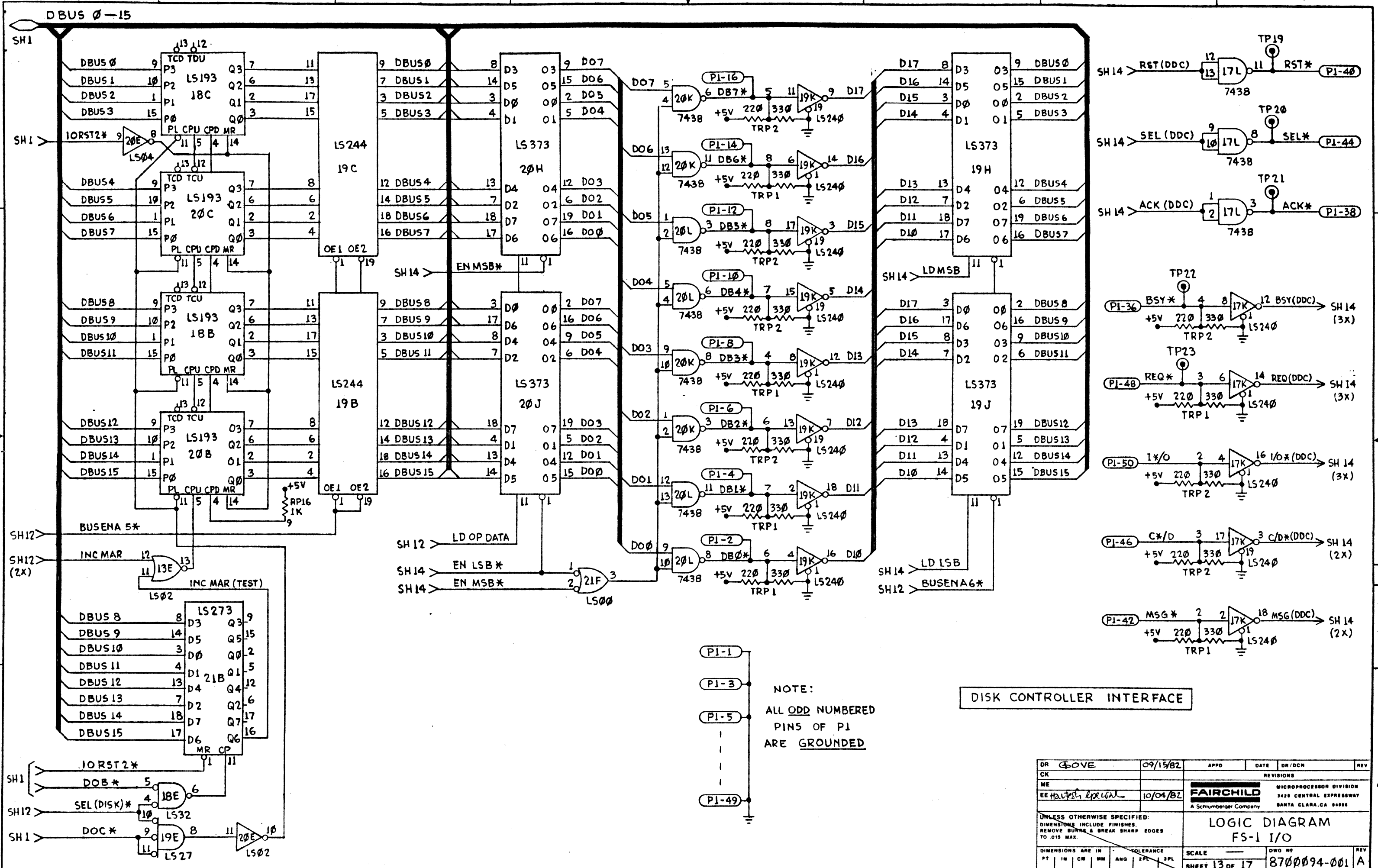


DISK PROGRAMMED I/O &
DATA CHANNEL LOGIC

DR GOVE	09/15/82	APPD	DATE	DR/DCN	REV
CK		REVISIONS			
ME		FAIRCHILD MICROPROCESSOR DIVISION			
EE <i>Havash</i>	10/04/82	3420 CENTRAL EXPRESWAY SANTA CLARA, CA 95050			
A Schumberger Company					
UNLESS OTHERWISE SPECIFIED: DIMENSIONS INCLUDE FINISHES. REMOVE BURRS & BREAK SHARP EDGES TO .015 MAX.					
DIMENSIONS ARE IN			TOLERANCE		
PT	IN	CM	MM	ANG	3PL 3PL
SCALE				DWO 89	REV
SHEET 12 OF 17				8700094-001	A

D
C
B
A

8700094-001



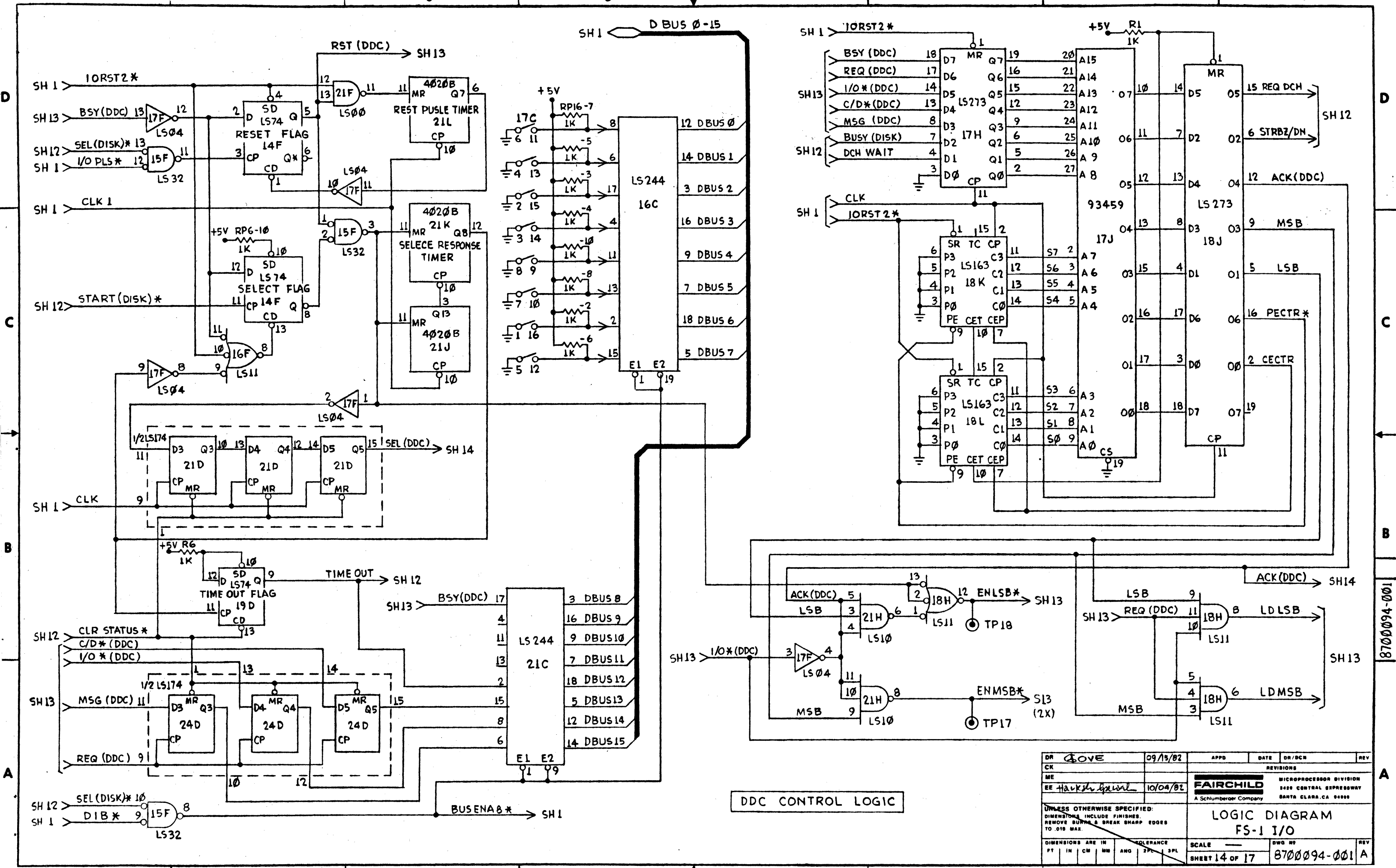
PI-1
PI-3
PI-5
...
PI-49

NOTE:
ALL ODD NUMBERED
PINS OF PI
ARE GROUND

DISK CONTROLLER INTERFACE

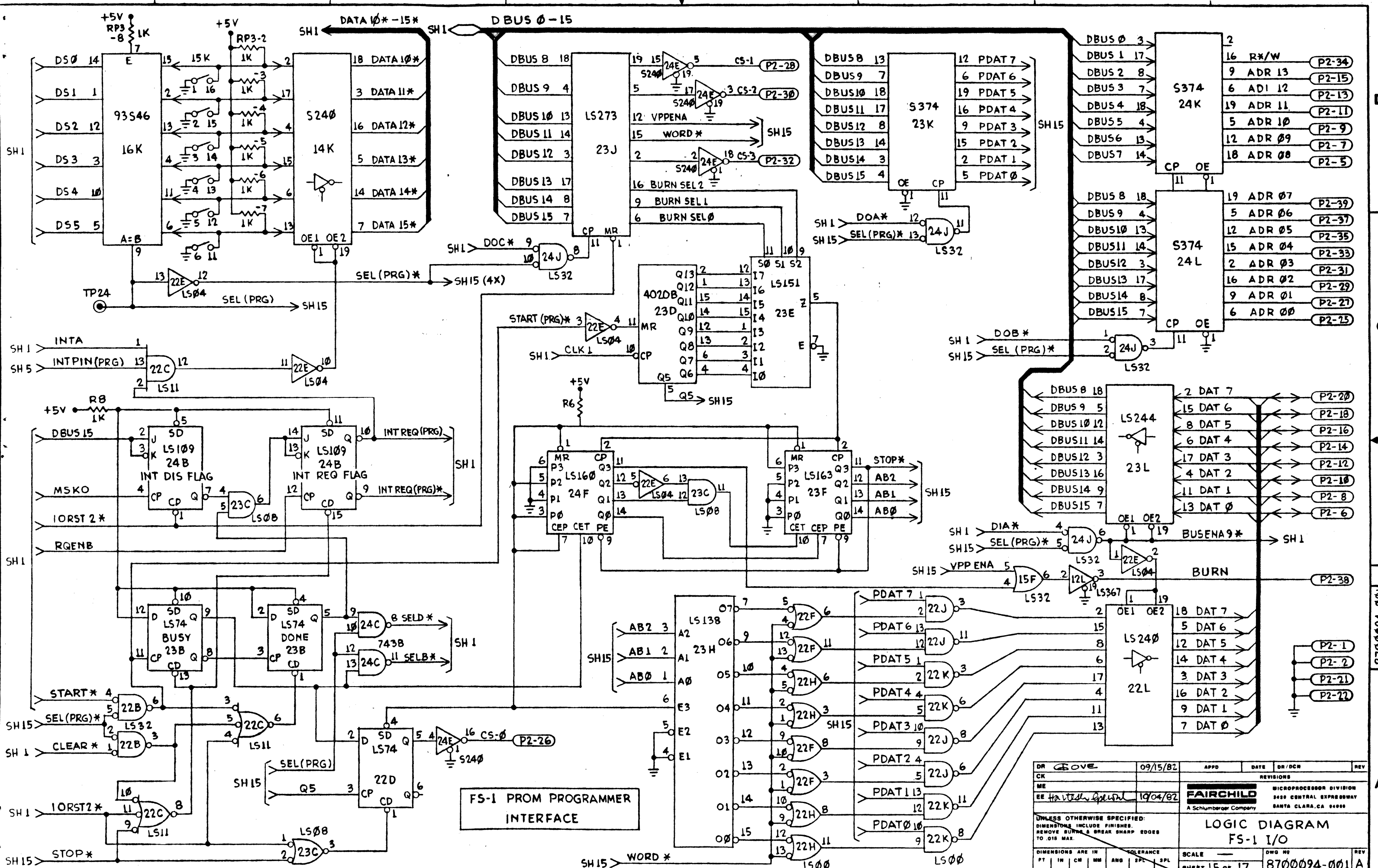
DR	DOVE	09/15/82	APPD	DATE	DR/DCN	REV
CK			REVISIONS			
ME			MICROPROCESSOR DIVISION			
EE	Hartshorn	10/04/82	3420 CENTRAL EXPRESSWAY			
			SANTA CLARA, CA 95050			
UNLESS OTHERWISE SPECIFIED: DIMENSIONS INCLUDE FINISHES. REMOVE BURRS & BREAK SHARP EDGES TO .015 MAX.			LOGIC DIAGRAM FS-1 I/O			
DIMENSIONS ARE IN FT IN CM MM ANG 2PL 3PL			SCALE	DWG NO	REV	
			SHEET 13 OF 17	8700094-001	A	

8700094-001



DDC CONTROL LOGIC

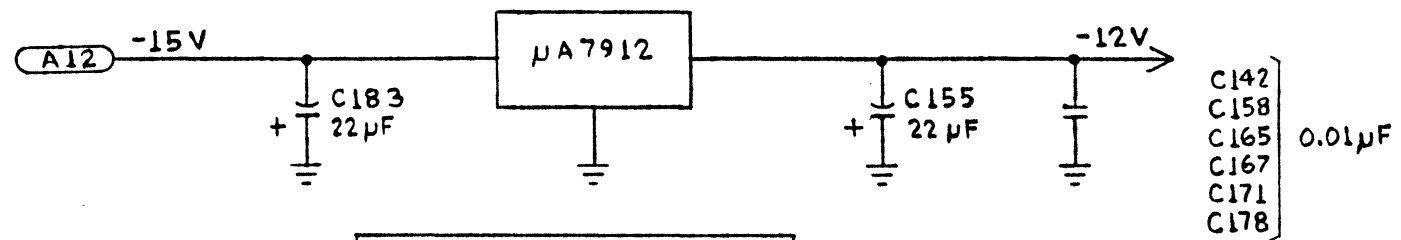
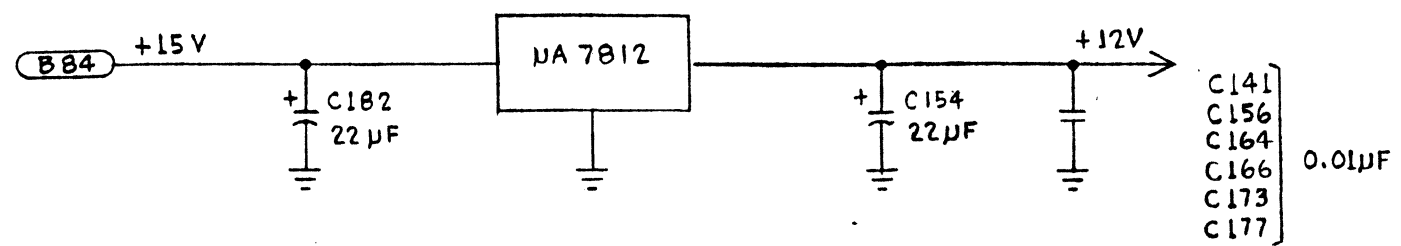
DR	DOVE	09/15/82	APPD	DATE	DR/DCN	REV
CK						
ME						
EE	Havskov	10/04/82				
UNLESS OTHERWISE SPECIFIED: DIMENSIONS INCLUDE FINISHES. REMOVE BURRS & BREAK SHARP EDGES TO .015 MAX.			FAIRCHILD MICROPROCESSOR DIVISION 3430 CENTRAL EXPRESSWAY SANTA CLARA, CA 95050 A Schlumberger Company			
LOGIC DIAGRAM FS-1 I/O			SCALE: _____ DWG NO: 8700094-001 REV: A			
DIMENSIONS ARE IN _____ TOLERANCE _____			SHEET 14 OF 17 8700094-001 A			



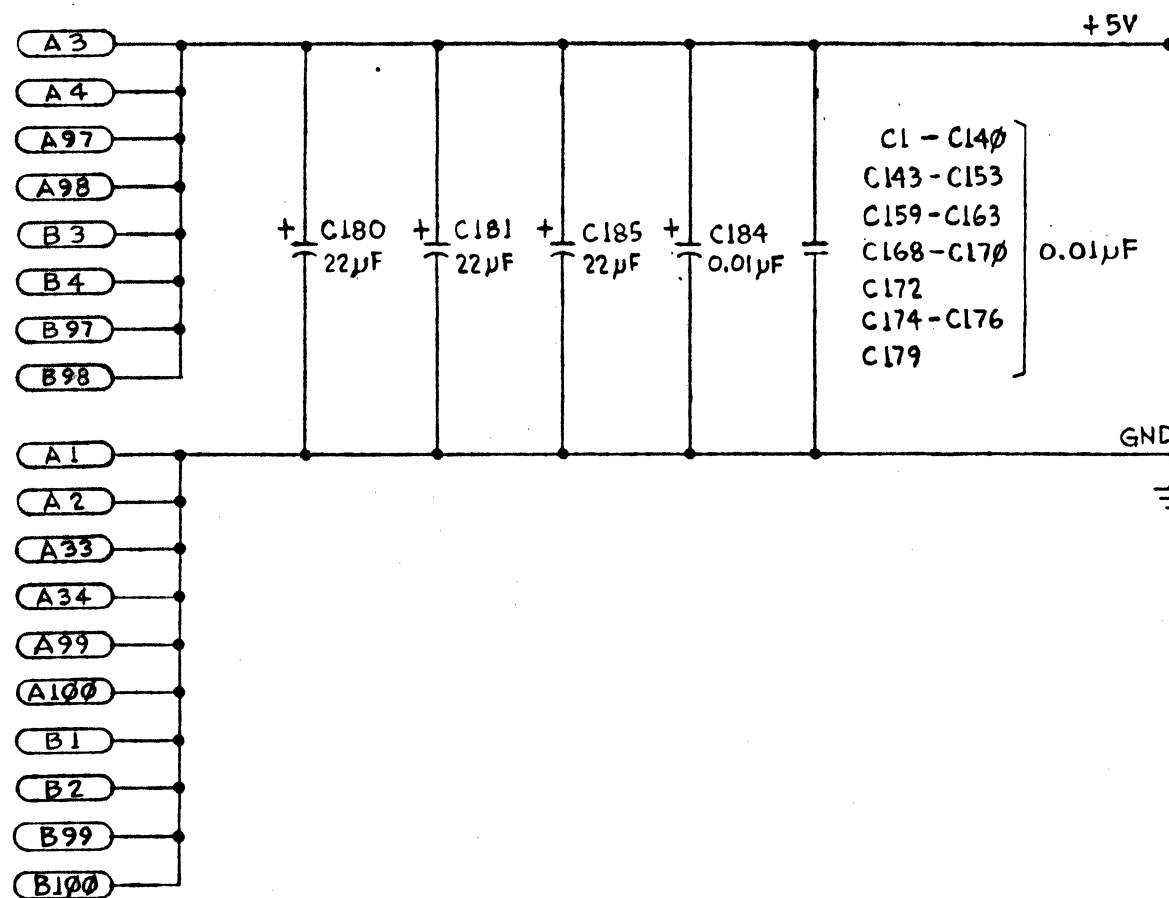
FS-1 PROM PROGRAMMER
INTERFACE

DR	GOVE	09/15/82	APPD	DATE	DR/DCN	REV
CK					REVISIONS	
ME						
EE	Harold E. ...	10/04/82				
UNLESS OTHERWISE SPECIFIED: DIMENSIONS INCLUDE FINISHES. REMOVE BURRS & BREAK SHARP EDGES TO .015 MAX.			FAIRCHILD MICROPROCESSOR DIVISION 3030 CENTRAL EXPRESSWAY SANTA CLARA, CA 95050 A Schumacher Company			
DIMENSIONS ARE IN FT IN CM MM ANG TPL SPL			TOLERANCE ANG SPL SPL		SCALE DWG NO 8700094-001 A REV SHEET 15 OF 17	

8700094-001

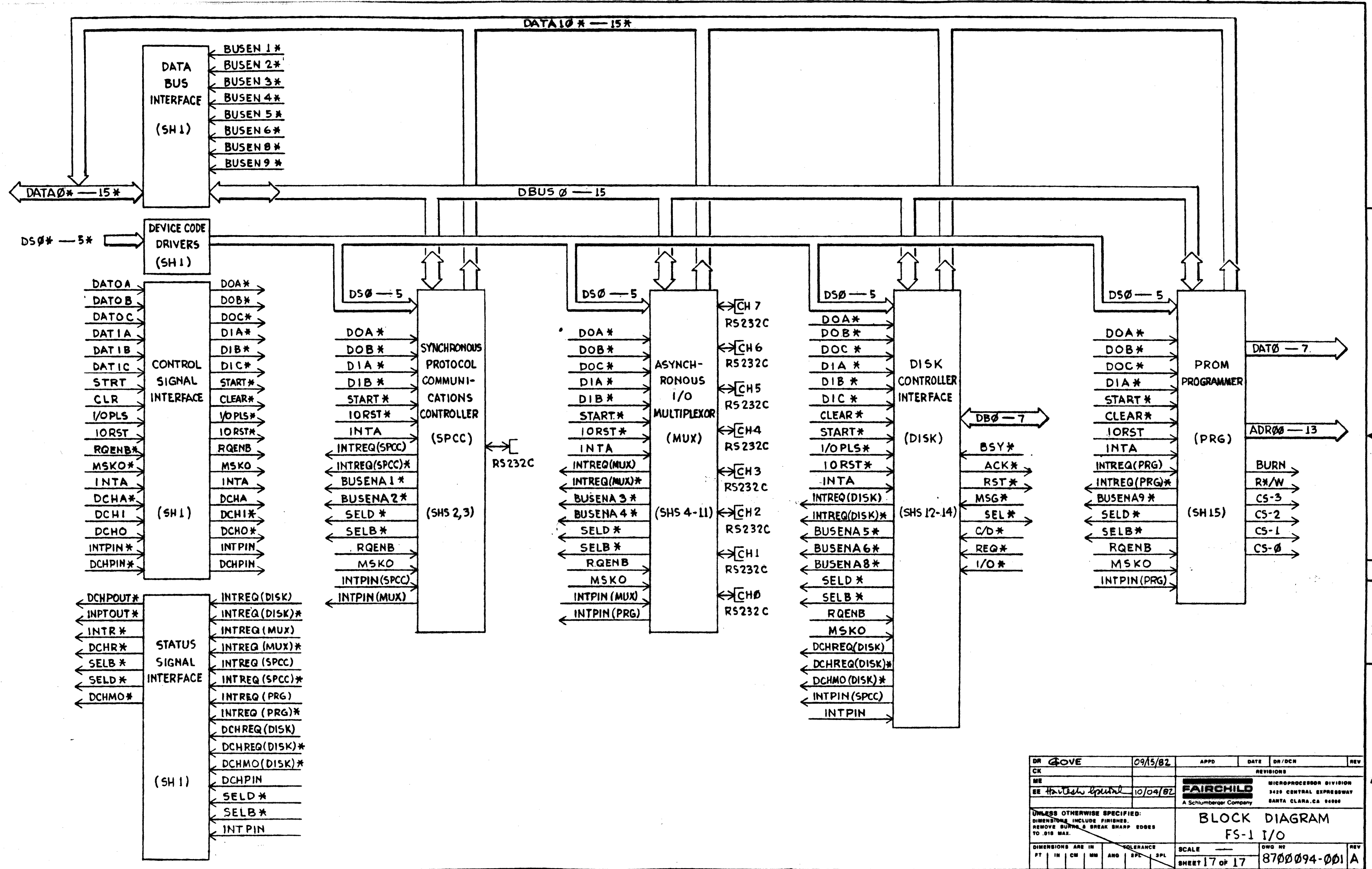


VOLTAGE REGULATORS



- NOTES: UNLESS OTHERWISE SPECIFIED
1. RESISTOR VALUES IN OHMS, 1/4W, 5%
 2. CAPACITOR VALUES IN MICROFRADS, $\pm 2\%$
 3. $\mu A 7812$ & $\mu A 7912$ ARE IN TYPE TO-220 PACKAGE

DR	GOVE	09/15/82	APPD	DATE	DR/DCN	REV
CK						
ME						
EE	<i>Hartshorn</i>	10/04/82	FAIRCHILD	MICROPROCESSOR DIVISION 9400 CENTRAL EXPRESSWAY SANTA CLARA, CA 95050		
UNLESS OTHERWISE SPECIFIED: DIMENSIONS INCLUDE FINISHES. REMOVE BURRS & BREAK SHARP EDGES TO .015 MAX.				LOGIC DIAGRAM FS-1 I/O		
DIMENSIONS ARE IN				TOLERANCE	SCALE	DWG NO
PT	IN	CM	MM	ANG	ZPL	SPL
				SHEET 16 OF 17		8700094-001 A



DR	GOVE	09/15/82	APPD	DATE	DR/DCN	REV
CK						
ME						
EE	Harold K... [Signature]	10/09/82	FAIRCHILD	MICROPROCESSOR DIVISION 3425 CENTRAL EXPRESSWAY SANTA CLARA, CA 95050		
UNLESS OTHERWISE SPECIFIED: DIMENSIONS INCLUDE FINISHES. REMOVE BURRS & BREAK SHARP EDGES TO 0.10 MAX.						
DIMENSIONS ARE IN				TOLERANCE	SCALE	DWG NO
FT	IN	CM	MM	ANG	SPL	SPL
SHEET 17 OF 17						8700094-001 A

BLOCK DIAGRAM
FS-1 I/O

8700094-001