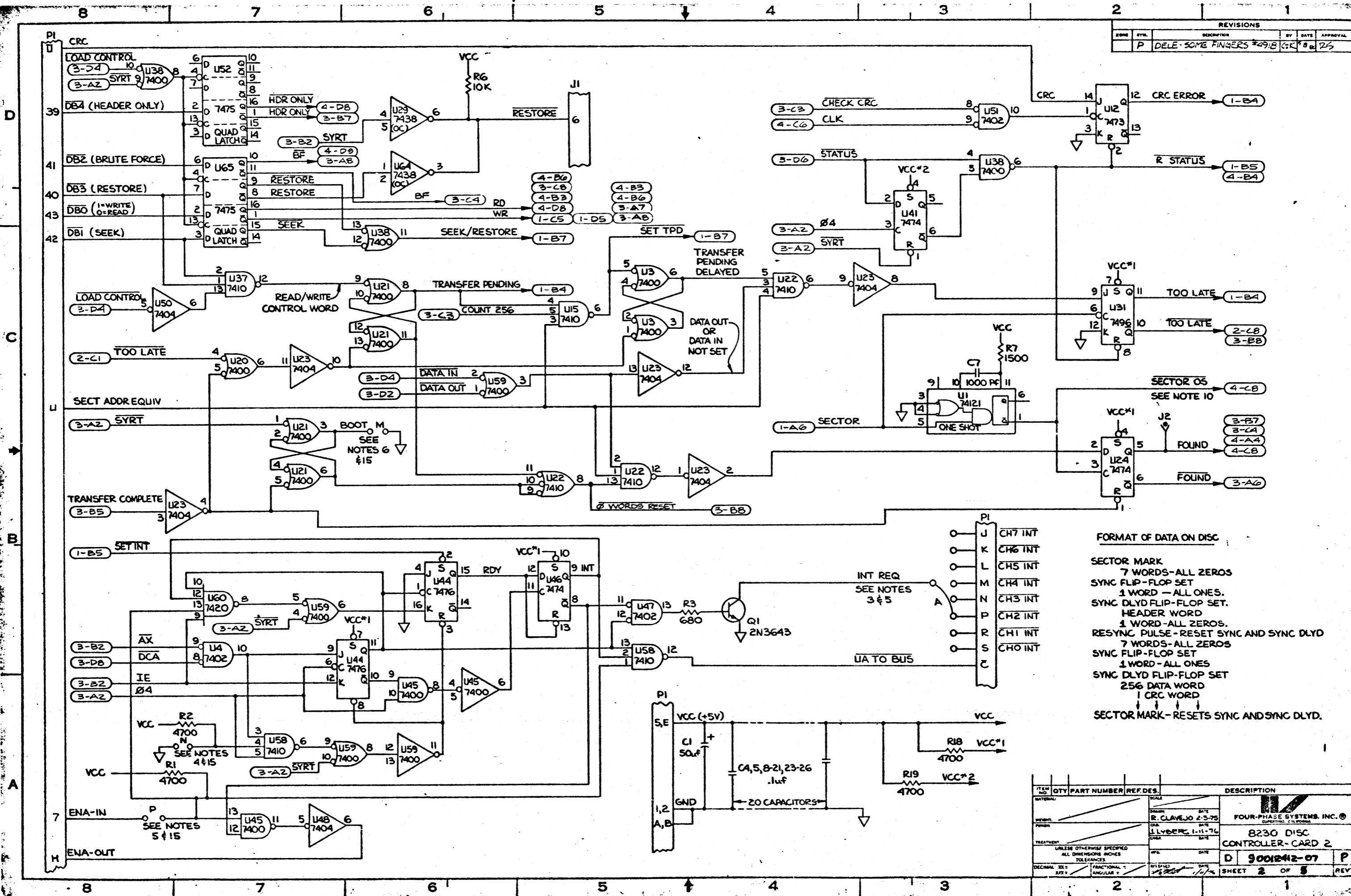


REVISIONS				
REV	BY	DATE	DESCRIPTION	APPROVAL
P	DELE	SOME FINGERS	2/29/8	GK B 2/5



FORMAT OF DATA ON DISC

SECTOR MARK
7 WORDS-ALL ZEROS

SYNC FLIP-FLOP SET
1 WORD - ALL ONES.

SYNC DLYD FLIP-FLOP SET.
HEADER WORD
1 WORD-ALL ZEROS.

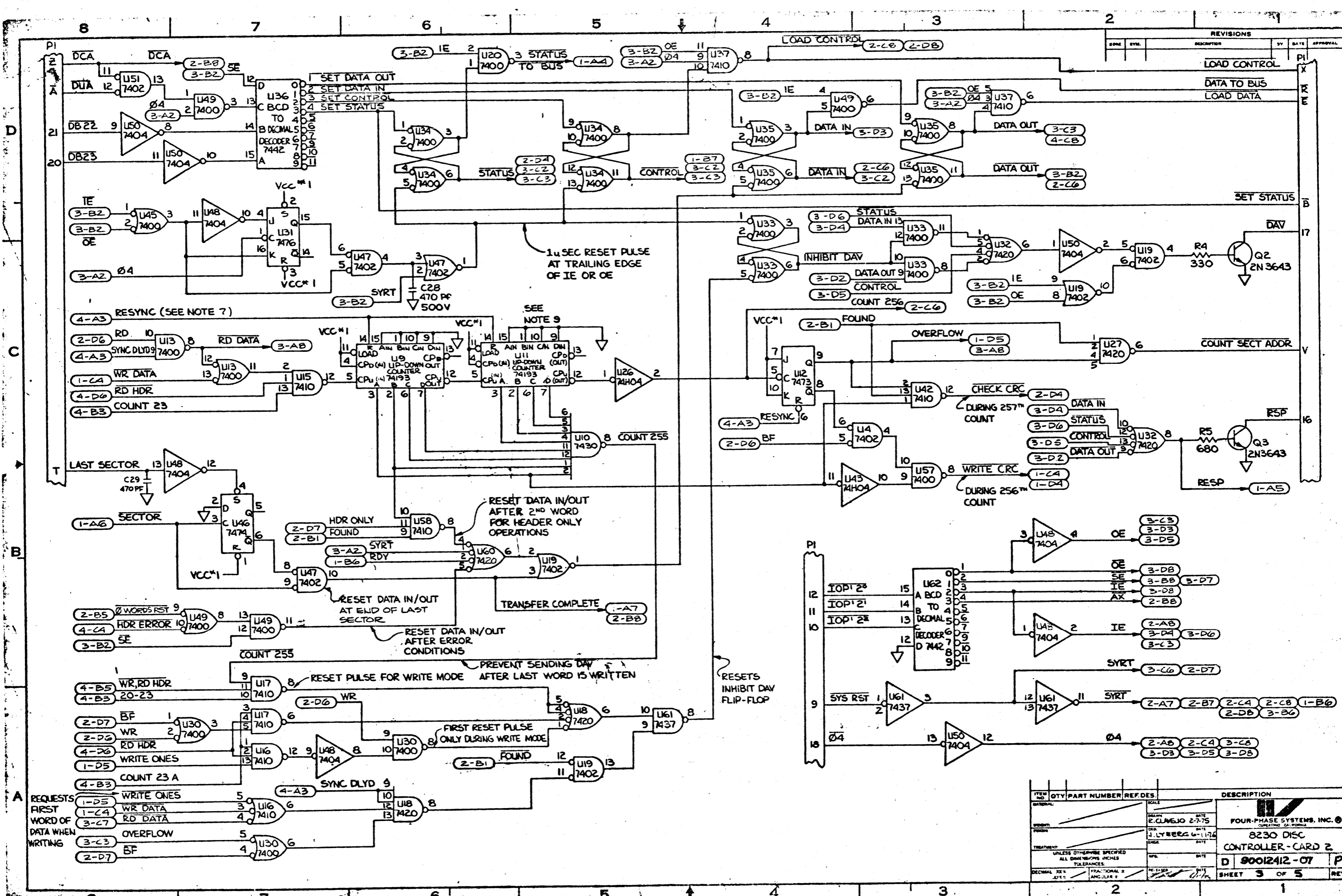
RESYNC PULSE-RESET SYNC AND SYNC DLYD
7 WORDS-ALL ZEROS

SYNC FLIP-FLOP SET
1 WORD - ALL ONES

SYNC DLYD FLIP-FLOP SET
256 DATA WORD
1 CRC WORD

SECTOR MARK-RESETS SYNC AND SYNC DLYD.

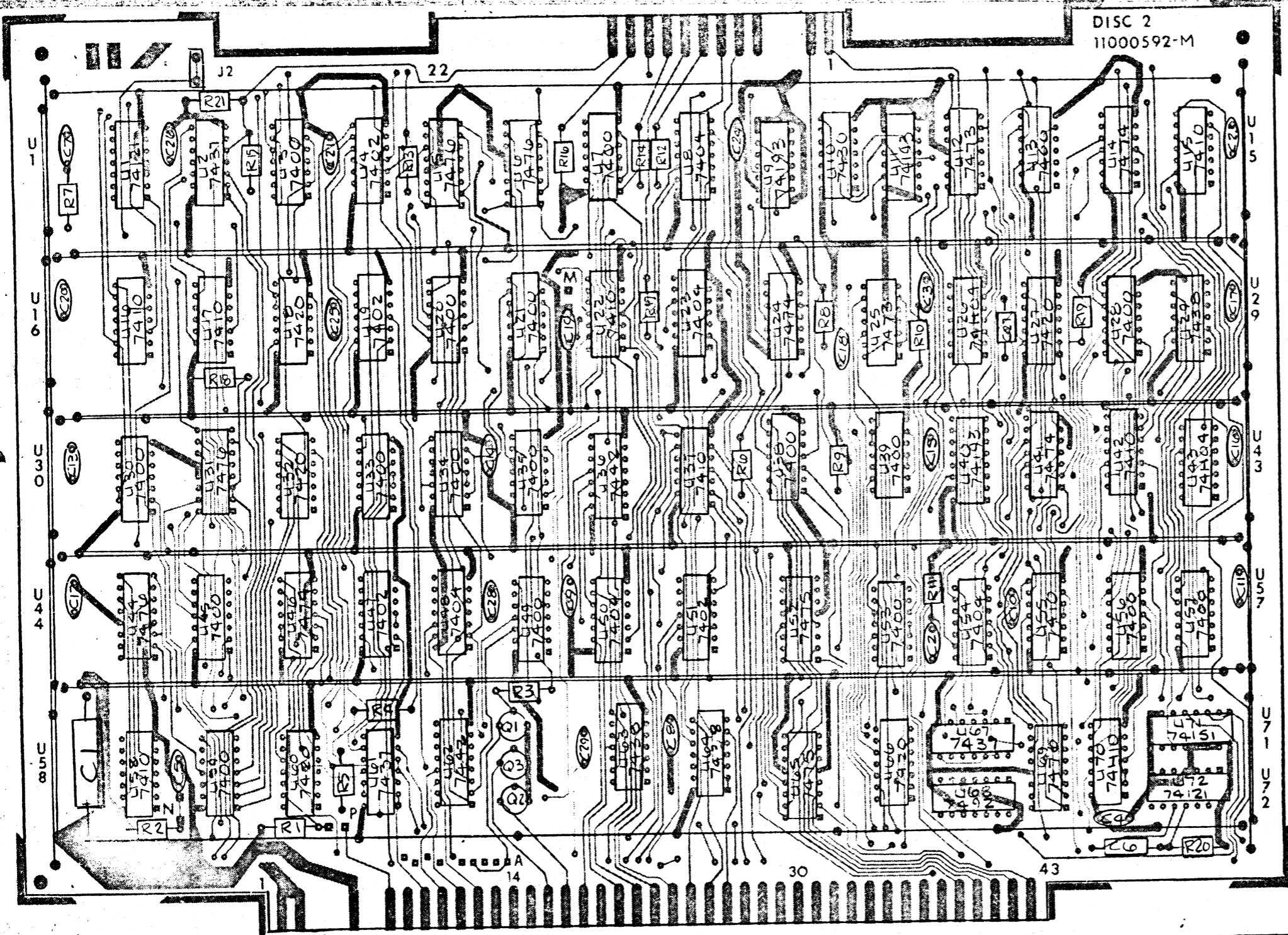
ITEM NO	QTY	PART NUMBER	REF. DES.	DESCRIPTION
				FOUR-PHASE SYSTEMS, INC. ©
				8230 DISC
				CONTROLLER-CARD 2
				D 9001242-07 P
				SHEET 2 OF 5 REV



REVISIONS				
ZONE	SYL	DESCRIPTION	BY	DATE

ITEM NO.	QTY	PART NUMBER	REF. DES.	DESCRIPTION

DRAWN: E. CLINEJO CHECKED: J. LYBERG DATE: 2-7-75 SCALE: 1:1 UNLESS OTHERWISE SPECIFIED ALL DIMENSIONS IN INCHES TOLERANCES:	FOUR-PHASE SYSTEMS, INC. 8230 DISC CONTROLLER - CARD 2 D 90012412-07 P SHEET 3 OF 5 REV.
--	--




15. THIS CARD IS NORMALLY SUPPLIED WITH TRACES INSTEAD OF JUMPER WIRES AT THE FOLLOWING LOCATIONS:

JUMPER-COLOR	JUMPERED WITH TRACE	FUNCTION PERFORMED
RED	A TO P1-P	INTERRUPT LEVEL 2
WIRE	N	GENERATE A UNIT ADDRESS

IF A DIFFERENT CONFIGURATION IS REQUIRED THE REQUIRED JUMPER TRACES MUST BE CUT, AND THE APPROPRIATE RED JUMPER WIRES MUST BE ADDED.

16. IF REQUIRED, ADD LINE FILTER CAPACITORS AS SHOWN ON REWORK INSTRUCTION PER PCO 1220.

DRAW ROBIN 5-13-77	DATE 5-13-77	 FOUR-PHASE SYSTEMS, INC. CUPERTINO, CALIFORNIA
CHECKED <i>New Lines</i> 5-13-77	ENGINEER	
MFG C Houck 5-11-77		8230 DISC CONTROLLER CARD 2
RELEASED Christopherson 5/16/77	SHEET 5 OF 5	90012412-07 P REV