

MANUAL IDENTIFICATION

Model Number: 64500S
 Date Printed: October 1982
 Part Number: 64500-90910

This supplement contains important information for correcting manual errors and for adapting the manual to instruments containing improvements made after the printing of the manual.

To use this supplement:

Make all ERRATA corrections.

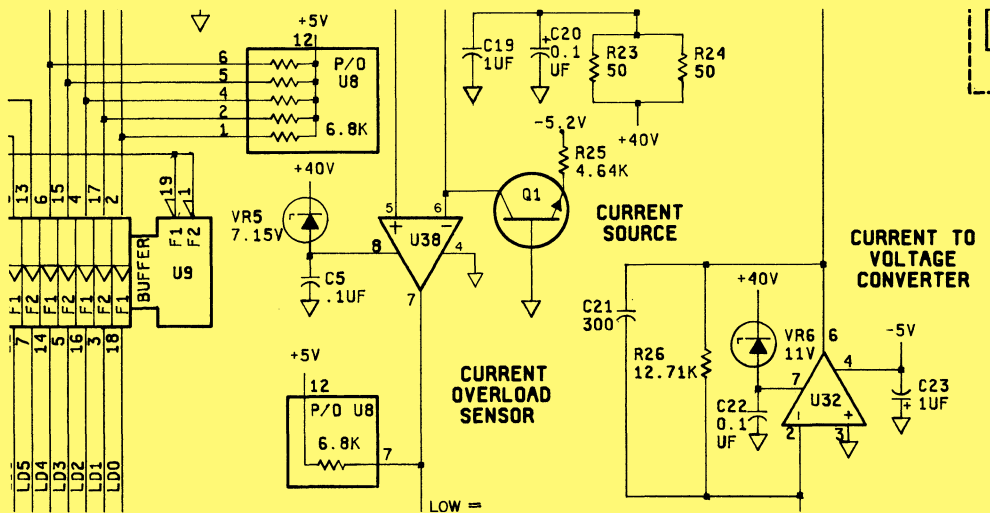
Make all appropriate serial number related changes indicated in the tables below.

Serial Prefix or Number	Make Manual Changes	Serial Prefix or Number	Make Manual Changes
2239A	1		

CHANGE 1

Page 6-6, Replaceable Parts List,
 Change: W1, HP Part No. 8120-3346 to 8120-4336, CD=7.

Page 8-11, Figure 8-2, Prom Programmer Schematic,
 Change: Make changes to U38 as shown below.



NOTE

Manual change supplements are revised as often as necessary to keep manuals as current and accurate as possible. Hewlett-Packard recommends that you periodically request the latest edition of this supplement. When requesting copies quote the manual identification information from your supplement, or the model number and print date from the title page of the manual.

SERVICE MANUAL CHANGES

MANUAL IDENTIFICATION

Model Number: 64500S
 Date Printed: October 1982
 Part Number: 64500-90910

This supplement contains important information for correcting manual errors and for adapting the manual to instruments containing improvements made after the printing of the manual.

To use this supplement:

Make all ERRATA corrections.

Make all appropriate serial number related changes indicated in the tables below.

Serial Prefix or Number	Make Manual Changes	Serial Prefix or Number	Make Manual Changes
2237A	ERRATA		

▲ NEW ITEM

ERRATA

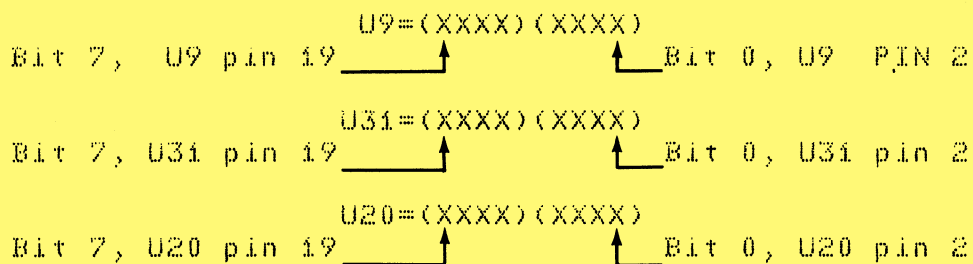
Title page,

Change: Change the serial prefix number from 2237A to 2239A.

Section IV,

Page 4-5,

Change: Add ARROWS as shown;



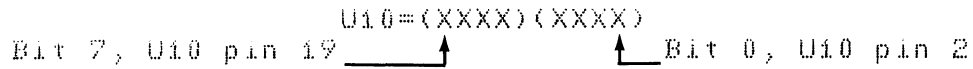
NOTE

Manual change supplements are revised as often as necessary to keep manuals as current and accurate as possible. Hewlett-Packard recommends that you periodically request the latest edition of this supplement. When requesting copies quote the manual identification information from your supplement, or the model number and print date from the title page of the manual.



Page 4-5,

Change: Add ARRDWs as shown;



Section VI,

Page 6-6, table 6-2, Replaceable Parts List,

Change: Change XU33 part number and description to;

***** XU33, 16 Pin Socket, HP Part No. 1200-0607, CD=3

Delete: Lable Warning from parts list.

Section VII

Page 7-1, CHANGE 1,

Change: Service Note Number from 655025-2 to 64500S-2.

Pages 7-2 and 7-4,

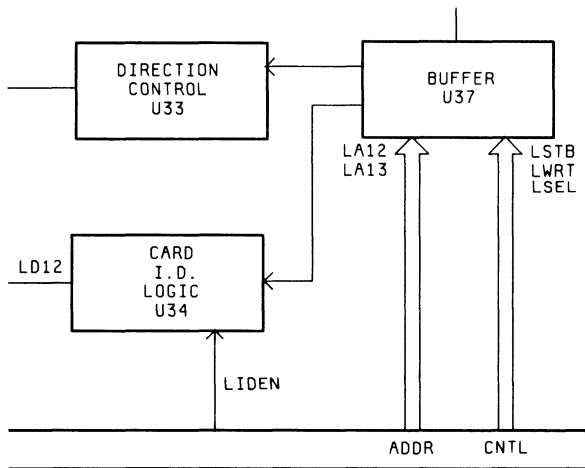
Change: The figures 7-2 and 7-3 descriptions are interchanged.

Section VIII,

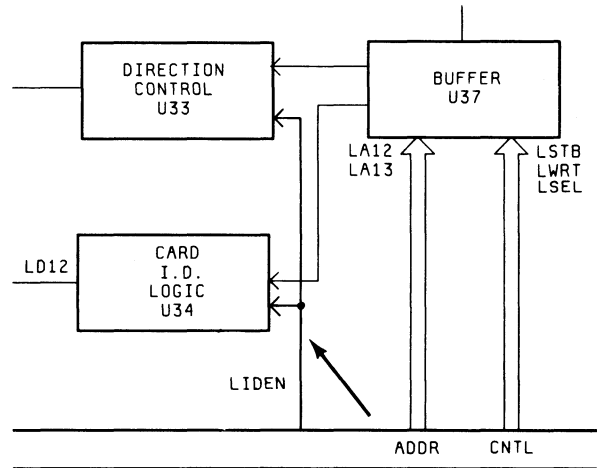
Page 8-2, Figure 8-1, Block Diagram,

Change: Make changes as shown below to the Block Diagram.

Before:

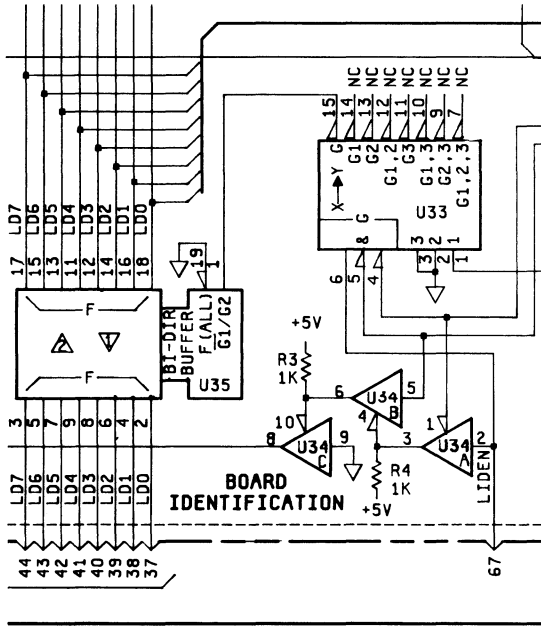


After:



Page 8-11, figure 8-2,
Change: Make changes to the Board ID Logic on the schematic
as shown below.

Before:



After:

