

TABLE OF CONTENTS

TABLE OF CONTENTS

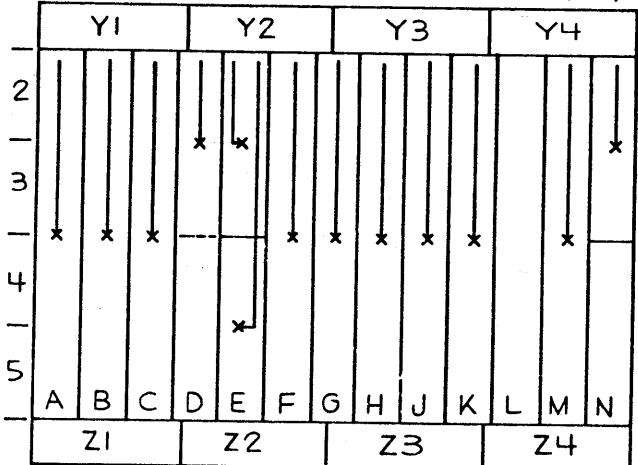
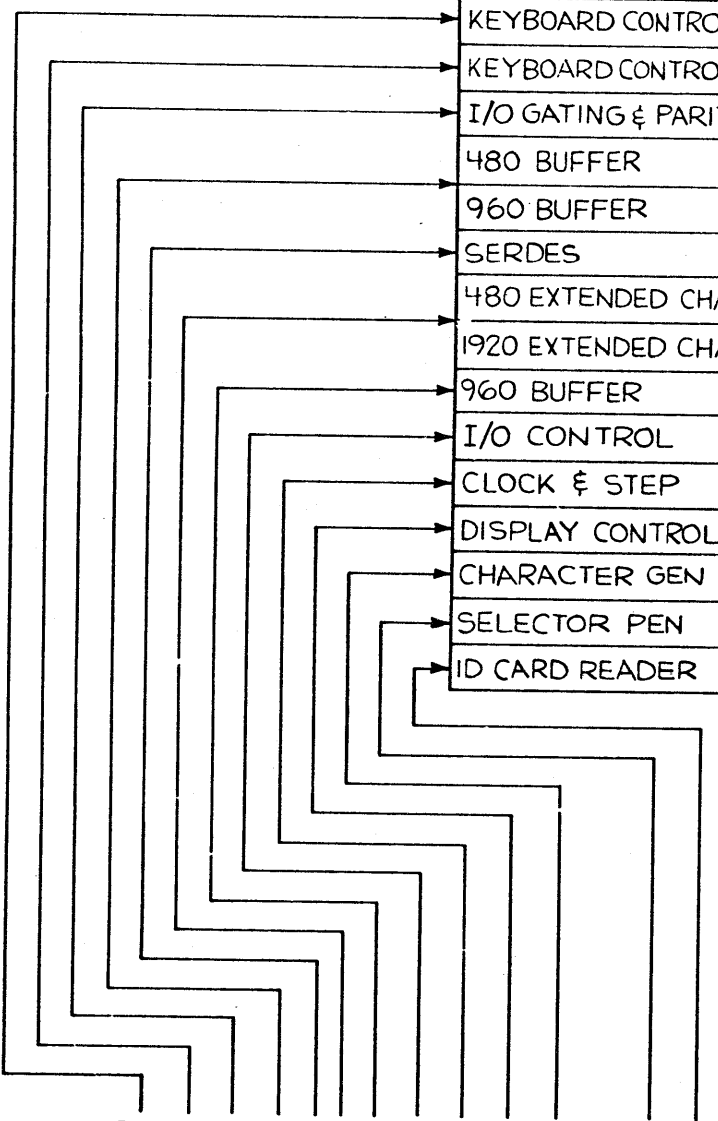
REPORT NUMBER 000000					REPORT DATE 06JAN76					REPORT NUMBER 000000					REPORT DATE 06JAN76						
VOL 1 M/T 32771 SERIAL 99988888					MAX PACK LOGIC					VOL 1 M/T 32771 SERIAL 99988888					MAX PACK LOGIC						
LOGIC	NUMBER	DESCRIPTION	PART NUMBER	EC NUMBER	FEATURE	BM	LOGIC	NUMBER	DESCRIPTION	PART NUMBER	EC NUMBER	FEATURE	BM	LOGIC	NUMBER	DESCRIPTION	PART NUMBER	EC NUMBER	FEATURE	BM	
SYSTEMS DIAGRAMS										SYSTEMS DIAGRAMS											
AA115		SOCKET LISTING	0001832870	000741246	0002565025		MC071	2	LINE BUFFER & CHAR. GEN.	0001823823	000718541	0002565025									
KA011		I/O CONTROL	0001823849	000717946	0002565025		MC091	1	LINE BUFFER & CHAR. GEN.	0001823826	000717946	0002565025									
KA031		I/O CONTROL	0001823090	000717946	0002565025		MC091	2	LINE BUFFER & CHAR. GEN.	0001823828	000717946	0002565025									
KA051		I/O CONTROL	0001823095	000717946	0002565025		MC121		1920 LINE BUFFER	0001823831	000717946	0002565025									
KA071		I/O CONTROL	0001823100	000717946	0002565025		MG011		I/O GATING AND PARITY	0001823835	000717492	0002565025									
KA111		I/O CONTROL	0001824194	000717946	0002565025		MG041			0001823840	000717946	0002565025									
KA121		SERDES/SPECIAL CIRCUITS	0001823103	000717492	0002565025		YA011			0002577870	000741690										
KF011		CLOCK AND STEP CONTROL	0001823105	000717946	0002565025		YA011	2	POWER DIST & ANALOG	0002564997	000739999	0002565025									
KF031		CLOCK AND STEP CONTROL	0001823112	000717946	0002565025		YA012		SYS DIAG 48C DISPL UNIT 60H2	0002481234	000741722	0002565025									
KF051		CLOCK AND STEP CONTROL	0001823118	000717946	0002565025		YA012	2	SYS DIAG 19C DISPL UNIT 60H2	0002481235	000741722	0002565025									
KF111		DISPLAY CONTROL	0001823123	000717946	0002565025		YA012	3		0001898007	000741722	0002565025									
KF131		DISPLAY CONTROL	0001823127	000717946	0002565025		YA013		SYS DIAG 48C DISPL UNIT 50H2	0002481238	000741722	0002565025									
KF141		DISPLAY CONTROL	0001823132	000717946	0002565025		YA013	1	SYS DIAG 19C DISPL UNIT 50H2	0002481236	000741722	0002565025									
KF171		DISPLAY CONTROL	0001823139	000717946	0002565025		YA013	3		0001898006	000741722	0002565025									
KF201		CONNECTOR PAGE	0001823146	000717946	0002565025		YF672		SYSTEMS DIAGRAM	0002611043	000717665	0002565025									
KM011		KEYBOARD CONTROLS /1	0001823152	000717946	0002565025		ZZ011	1	COMPONENT LOCATION	0002564995	000741722	0002565025									
KM031		KEYBOARD CONTROLS /1	0001823756	000717946	0002565025		ZZ011	2		0002577869	000741690	0002565025									
KM051		KEYBOARD CONTROLS /1	0001823758	000717946	0002565025		ZZ012		COMPONENT LOCATION	0002564993	000717142	0002565025									
KM111		KEYBOARD CONTROLS /2	0001823761	000717946	0002565025		ZZ101		3277 MOD 1&2 FEATURE	0001564041	000741246	0002565025									
KM141		KEYBOARD CONTROLS /2	0001823766	000717946	0002565025																
KM161		KEYBOARD CONTROLS /2	0001824193	000717946	0002565025																
KR011		CARD READER	0001823769	000717946	0002565025																
KR041		CARD READER	0001823770	000717492	0002565025																
KR061		CARD READER	0001823771	000717946	0002565025																
KR201		KEYBOARD INTERFACE FOR CR	0001823772	000716959	0002565025																
KT011			0001823774	000717946	0002565025																
KT031		ANR 19/48 LP CTRL	0001823776	000717946	0002565025																
KT051		ANR 19/48 LP CTRL	0001823780	000717946	0002565025																
KT101		SELECTOR PEN INTERFACE LINES	0001823783	000717492	0002565025																
MB011		960 STOR & GATE	0001823785	000717473	0002565025																
MB041		960 STOR & GATE	0001823789	000717946	0002565025																
MB111		960 STOR & GATE	0001823792	000717473	0002565025																
MB131	1	960 STOR & GATE	0001823795	000717946	0002565025																
MB131	2	960 STOR & GATE	0001823799	000717946	0002565025																
MB151	1	960 STOR & GATE	0001823801	000717946	0002565025																
MB151	2	960 STOR & GATE	0001823802	000717946	0002565025																
MC011	1	LINE BUFFER & CHAR. GEN.	0001823804	000717946	0002565025																
MC011	2	LINE BUFFER & CHAR. GEN.	0001823810	000718541	0002565025																
MC031	1	LINE BUFFER & CHAR. GEN.	0001823811	000717946	0002565025																
MC031	2	LINE BUFFER & CHAR. GEN.	0001823813	000718541	0002565025																
MC051	1	LINE BUFFER & CHAR. GEN.	0001823816	000717492	0002565025																
MC051	2	LINE BUFFER & CHAR. GEN.	0001823818	000718541	0002565025																
MC071	1	LINE BUFFER & CHAR. GEN.	0001823821	000717946	0002565025																

CARD DESCRIPTION	WHERE USED	CARD TYPE	LOGIC PAGE GROUP	CARD LOC	CARD PART NUMBERS												
					BASE EC 717492	OPT #1 EC 718556	MAND NO. 1 (CARD READER FEATURE ONLY) EC 718958	OPT NO. 4 EC 739072	OPT NO. 5 EC 739065	OPT NO. 6 EC 739066	OPT NO. 7 EC 739071	OPT NO. 8 EC 739268	OPT NO. 10 EC 746050	OPT NO. 11 EC 747009	PRODUCTION PRACTICE		
KEYBOARD CONTROL #2	KEYBOARD ADAPTER	9072	KM1XX	A2 *	8522128	8522001	NOTE [1]										
KEYBOARD CONTROL #1	KEYBOARD ADAPTER	9069	KMOXX	B2 *	8521178	8522852				8524282					8564132	8564143	8564143
I/O GATING & PARITY	ALL MACHINES	9066	MGOXX	C2	8521992	←											8524282
480 BUFFER	MOD 1 ONLY	9057	MBXXX	D2	8521862	←											8523648
960 BUFFER	MOD 2 ONLY	9065			8521863	←											
SERDES	ALL MACHINES	L514	KA1XX	E2 *	8522013	←											8521863
480 EXTENDED CHAR	MOD 1 EXT CHAR	2231	MCXXX	E4	8521437	←											8524314
960 EXTENDED CHAR	MOD 2 EXT CHAR	2227			8521436	←											
960 BUFFER	MOD 2 ONLY	9065	MBXXX	F2	8521863	←											8524301
I/O CONTROL	ALL MACHINES	9068	KAOXX	G2 *	8522109	8522151	←		8523664								8521863
CLOCK & STEP	ALL MACHINES	9071	KFOXX	H2 *	8521981	8522825	←					8323649					8523664
DISPLAY CONTROL	ALL MACHINES	9067	KFIXX	J2 *	8522014	8522836	←										8524604
CHARACTER GEN	SEE PAGE ZZ101		MCXXX	K2 *													8522836
SELECTOR PEN	EXTENDED BOARD	9088	KTOXX	M2	8521505	←								*			*
ID CARD READER	EXTENDED BOARD	2229	KROXX	N2	8522108	←	8523257	←									8521505
																	8565013

\* REFER TO "ZZ" PAGES FOR INTERCHANGEABLE CARDS FOR FEATURES AND RPQ'S

EXPLANATION OF LOGIC USE

THIS SYSTEMS DIAGRAMS VOLUME CONTAINS ALL THE LOGIC REQUIRED FOR ANY FEATURE COMBINATION OF 3277 DISPLAYS. THE VOLUME IS BROKEN DOWN INTO THE LOGIC GROUPS SHOWN ABOVE. THE WHITE PAGES ARE BASE MOD 2. IF A CARD READER OR SELECTOR PEN IS IN THE MACHINE, THE BLUE KR & KT PAGES SHOULD BE CONSIDERED PART OF THE LOGIC. IF THE MACHINE IS A MOD 1, THE YELLOW MB PAGES SHOULD BE CONSIDERED A REPLACEMENT FOR THE WHITE MB PAGES. IF THE MACHINE HAS AN EXTENDED CHARACTER SET, THE GREEN MC PAGES SHOULD BE CONSIDERED A REPLACEMENT FOR THE WHITE MC PAGES.



NOTES  
[1] CARD TYPE 9072 P/N 8523623 (FOR W.T. ONLY) OR EC 747009 INSTALLED

BOARD PART NO.	BOARD DESCRIPTION
2625204	BASE W/O FEAT EXT
2625206	BASE WITH FEAT EXT
2625208	EXT CHAR SET W/O FEAT
2625210	EXT CHAR SET WITH FEAT

SEE EC HISTORY		DRAWING TITLE	
JUN77	746050	3277 SOCKET LIST	
JAN78	747009	MACH 3277	
MAY78	747514	PART NO 1832870	
D		CLASSIFICATION	
		IBM CORP	

AA115

AA115

COMPONENT & CONNECTOR LOCATIONS

TITLE	MOD 1	MOD 2
ANALOG CARD	01B/A2	01C/A1
AUDIBLE ALARM	01C/DS1	01C/DS1
LVPS	01B/PS1	01D/PS1
HVPS	01B/PS2	01C/PS1
-12V REG CARD	01B/VRI	01D/VRI
VOLTAGE DIST CARD	01C/Z1	01C/TBI
SECURITY KEY LOCK	01C/S1	01C/S1
CONTROL UNIT I/O CONN	01S/J4	01S/J4
KEYBOARD CONN	01S/J1	01S/J1
CARD READER CONN	01S/J2	01S/J2

ANALOG CARD

SIGNAL	BD CONN 01A-A1(Z3)	I/O CONN			PIN
		MOD 1	MOD 2		
+VIDEO DATA OUT	H6C04				P4-12
+HI INTENSITY	J6E02				P4-15
+HORIZ SYNC	J6D04				P4-14
-BUMP DISPLAY	H6E04				P4-8
+VERTICAL RETRACE	J6B04				P4-10
-SOUND ALARM	K6A04	TO ANAL CD	01B/A2	01C/A1	P4-16
		TO ALARM			P4-19
+SWITCHED 5V	H6B02	IN			P4-11
		OUT			P4-20
-POR	K6B02				P4-21
-12V	J6C04				P3-5
+34V	K6B04				P3-6
+8V	J6A04				P3-4
+RELAY COIL	J6E04	01C/ZPI	01C/TBI		3
-SECURITY KEY	H6A02				---
	J6B02				---
	H6C02				---
-SECURITY KEY GND		01C/S1			---

KEYBOARD WITH & WITHOUT CARD READER

SIGNAL	BD CONN - 01A-A1		I/O CONN 01S/J1	KYBD PIN - KBI	
	KYBD (Z1)	CD RDR (Z4)		TYPE A	TYPE B
+KYBD BIT 0	A6D04	L6B04	1	D	B05
+KYBD BIT 1	A6E04	L6C04	2	E	B06
+KYBD BIT 2	B6A04	L6D04	3	F	D13
+KYBD BIT 3	B6B04	L6E04	4	H	B08
+KYBD BIT 4	B6C04	M6A04	5	J	B09
+KYBD BIT 5	B6D04	M6B04	18	K	B10
+KYBD BIT 6	B6E04	M6C04	6	L	B13
+KYBD BIT 7	C6A04	M6D04	7	M	B12
+KYBD PARITY BIT	C6B04	M6E04	8	N	B04
+ALPHA SHIFT	A6D02	L6B02	14	T	D05
-KYBD STROBE	C6B02	M6E02	9	R	B02
	C6C04	N6A04			
+NUMERIC SHIFT	B6B02	L6E02	16	S	D06
-KYBD RESET	C6D04	N6B04	22	C	D12
-POR TYPE B KYBD	C6A02	M6D02	19	SPARE	SPARE
+DE UP SHIFT	B6A02	L6D02	15	U	D04
+FF ENABLE	B6C02	M6A02	17	P	D11
+KYBD TUNE	C6E02		10	AUD FDBK SIGNAL	
+CHAR RDY DEC		N6C02			

POWER DISTRIBUTION

SIGNAL	TERMINAL		I/O CONN 01S/J1	KYBD PIN - KBI	
	MOD 1 01A/TBI	MOD 2 01C/TBI		TYPE A	TYPE B
+8V	2	23	24	W,V	D03
			25	AUDIBLE FDBK	
-12V	4	19	13	Z	D02
DC RTN	6	22	11	X,Y	D08
			12	AUDIBLE FDBK	

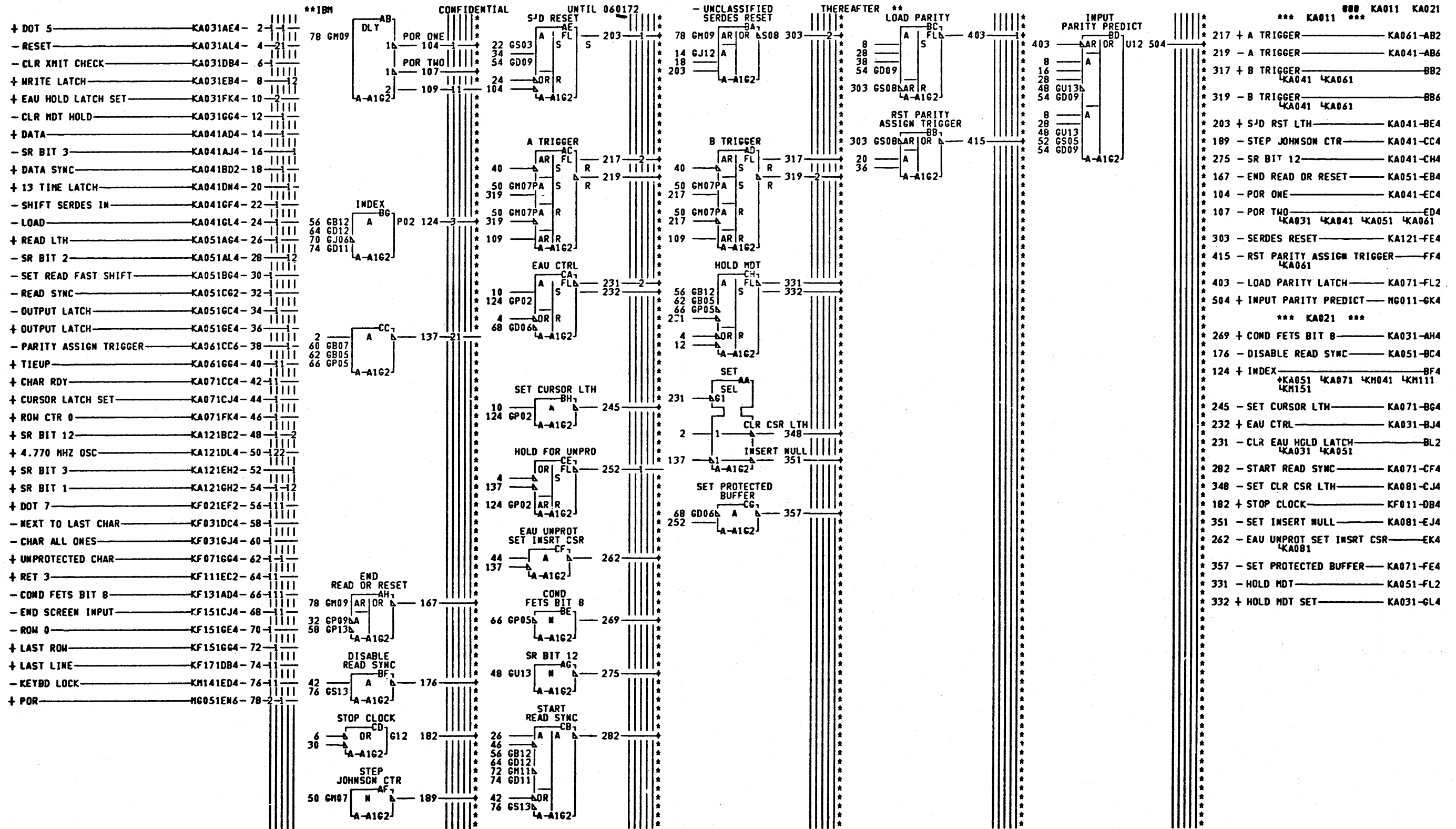
COAX

SIGNAL	BD CONN PIN
DATA	01A-A1E2D07
GND	01A-A1E2D08

LIGHT PEN CONNECTOR

SIGNAL	BD SIDE 01A-A1	LIGHT PEN SIDE
-LP SW OPEN	MIC13	B05
	NIB11	
-LP SW CLOSED	LIB11	B08
	LIE13	
-LP STRIKE(SIGNAL)	LIB13	B03
+12V LP	LIC13	B02
-6V LP	MIDI3	B09
GND	MIB13	B07
	MIA11	

SEE EC HISTORY		DRAWING TITLE	
JUN 77	746050	3277-MOD 1/2 CONN CABLE REF GUIDE	
JAN 78	747009	MACH	3277
MAY 78	747514	PART NO	1832870
D		CLASSIFICATION	IBM CORP

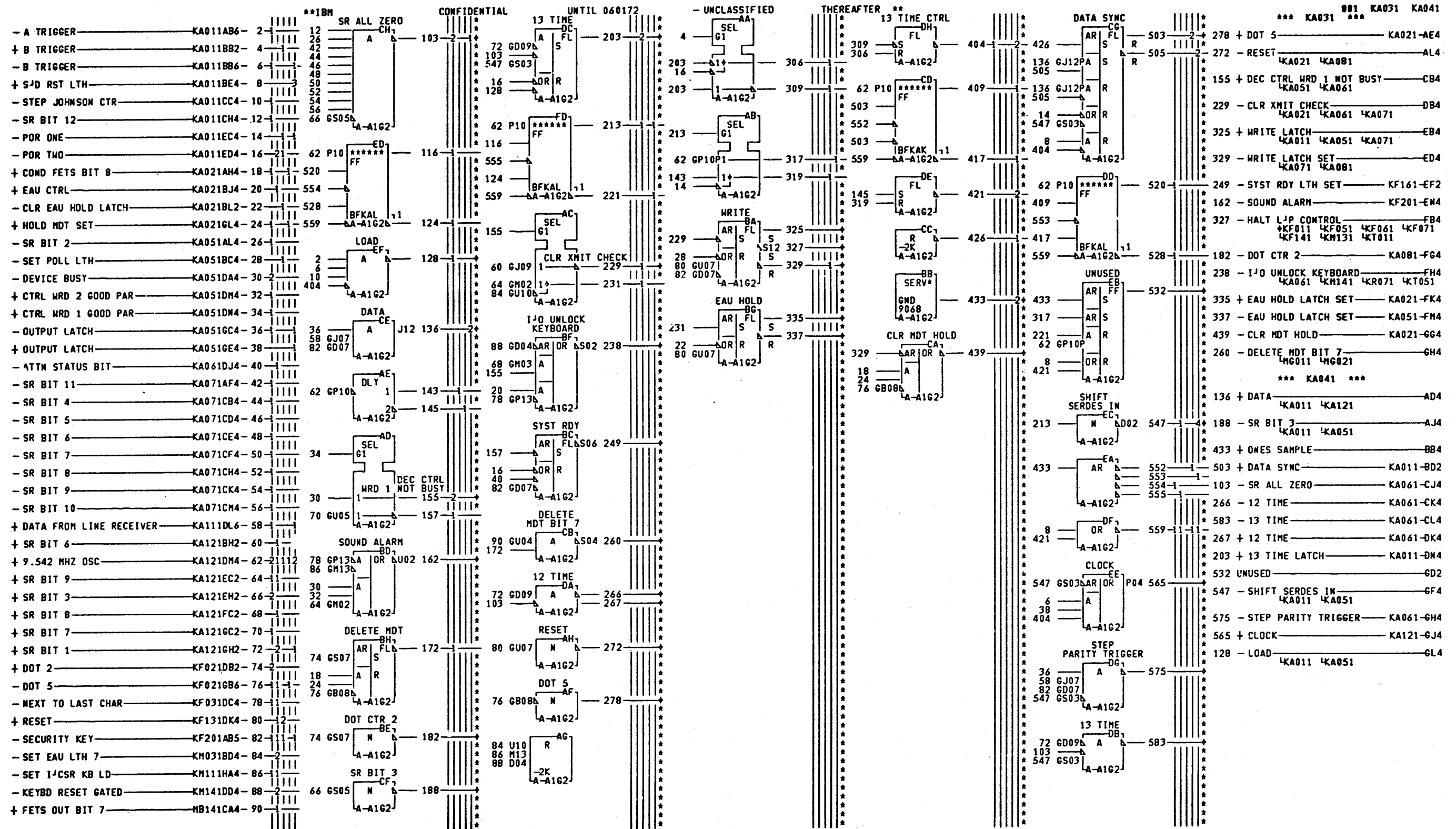


LOC. TYPE  
A-1G2 9068

PAGE VER EC LEV  
KA011 000 717946  
KA021 000 717946

I/O CONTROL			
-E.C.-HISTORY-		C-MACH.3277	
717473	716959	FRAME 01	KA011
717492		IBN CORP.SDD	KA021
DATE	LAST EC	P.N.	1823849 000
08-05-72	717946		

KA011  
KA021  
000



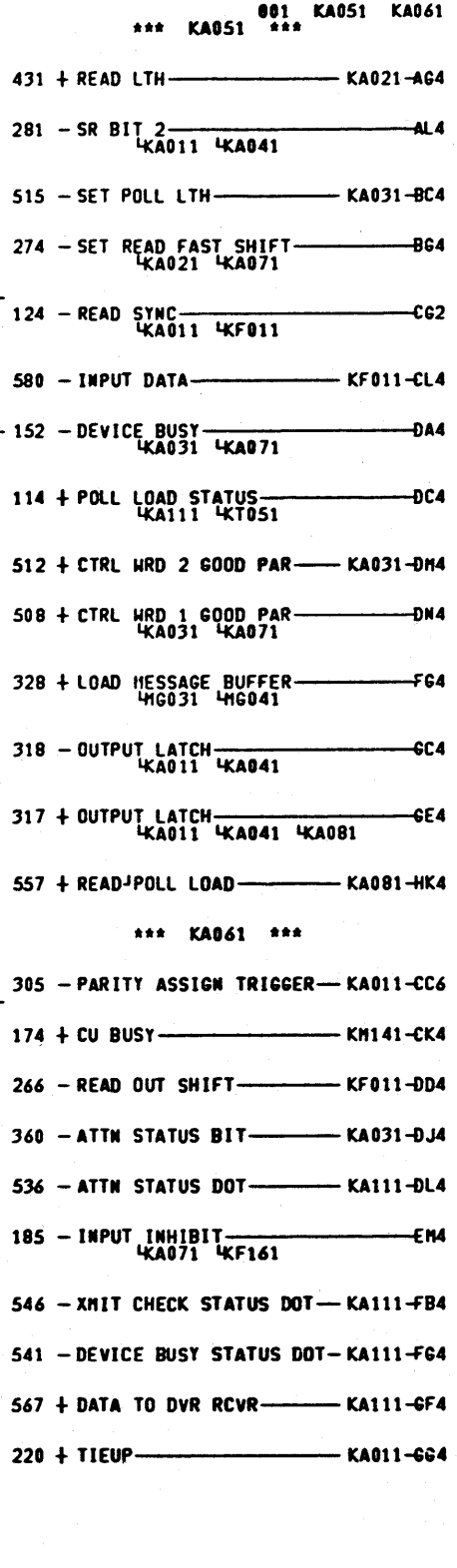
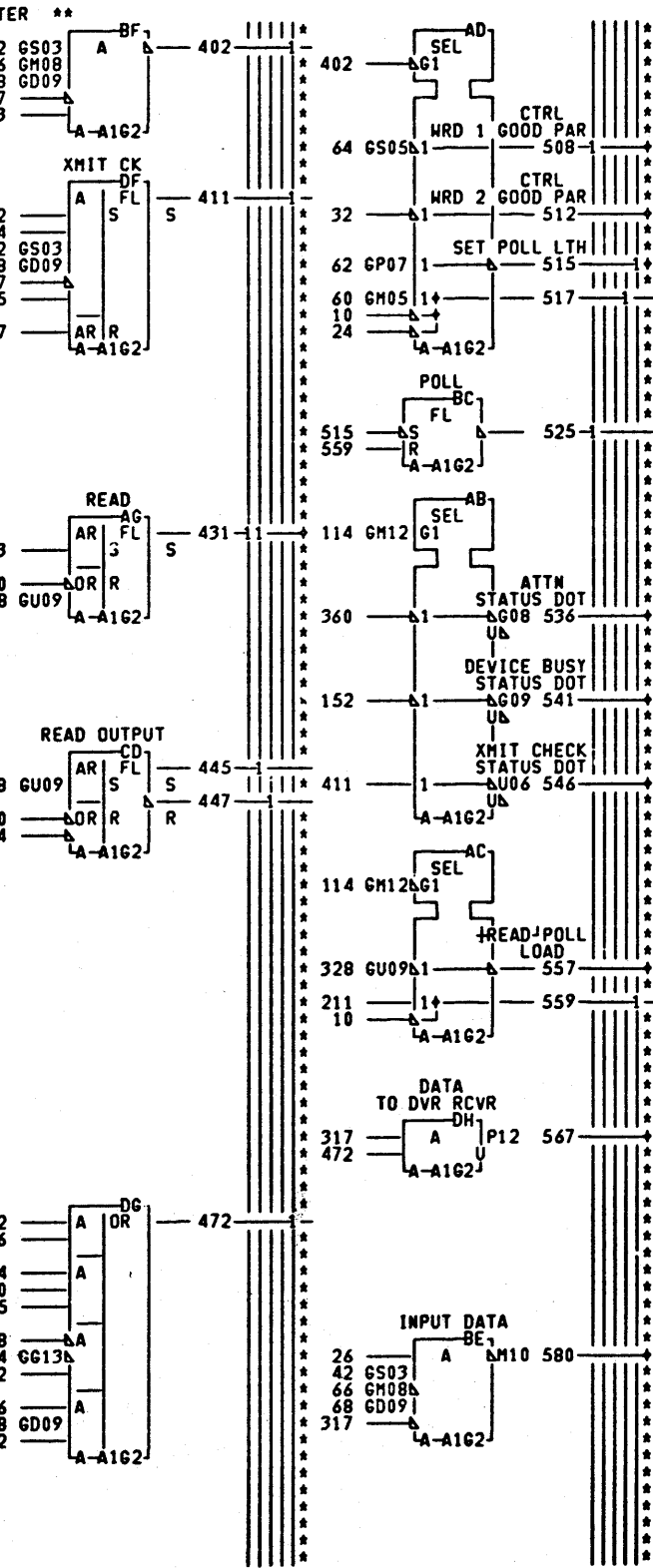
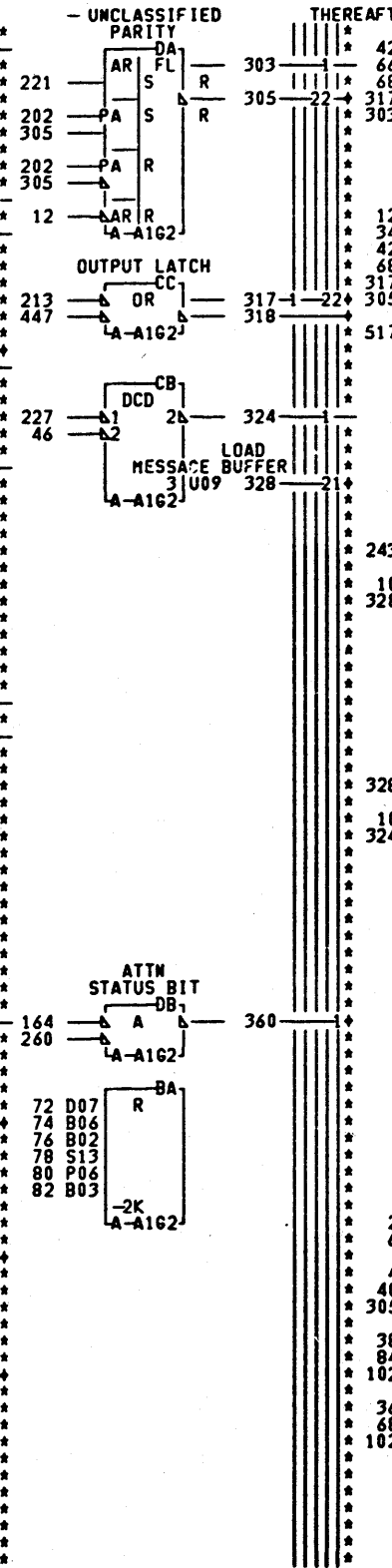
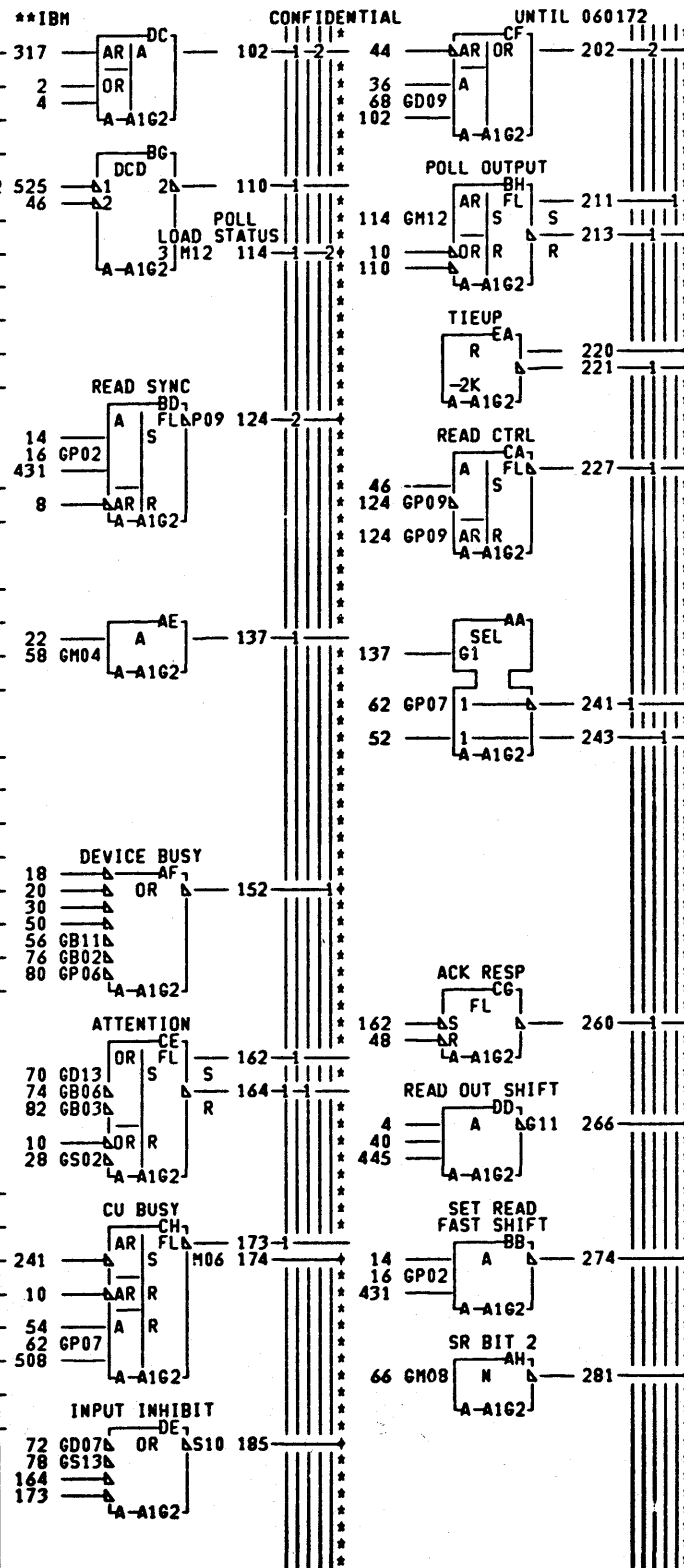
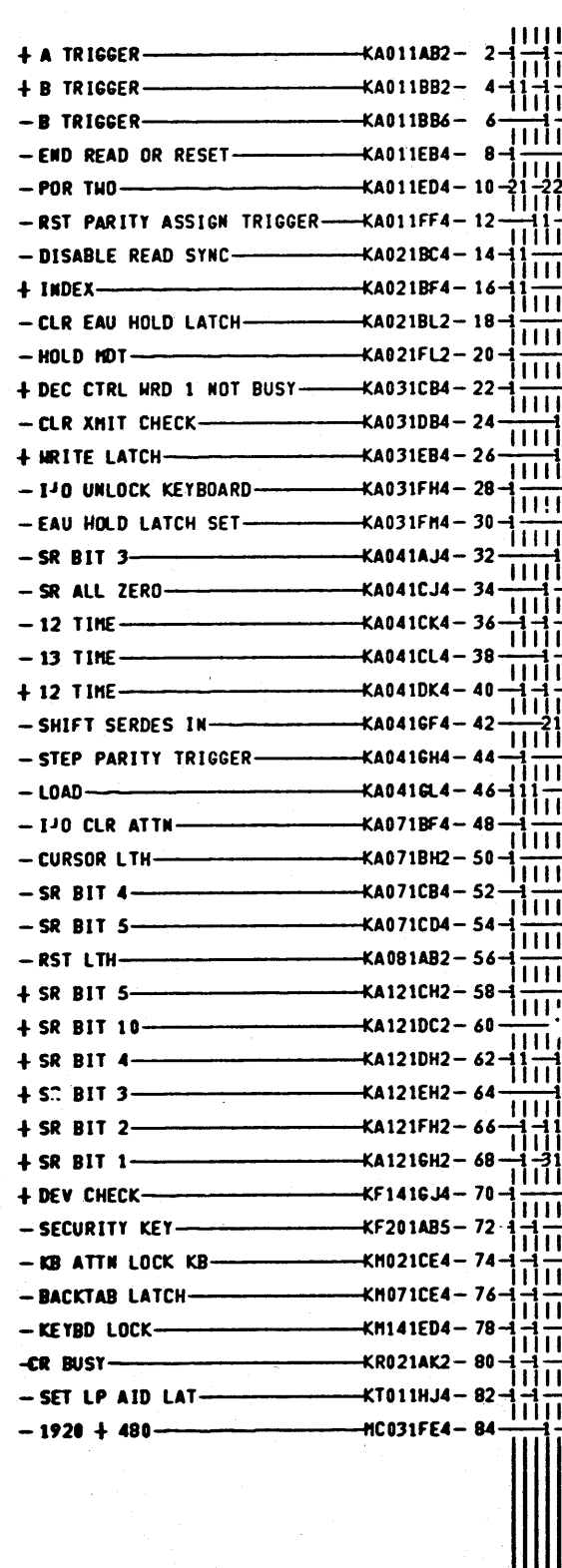
A.SIM TO PN 1563732 EC 717946  
 B.SIM TO PN 1563733 EC 717946

LOC. TYPE  
 A-A1G2 9868

PAGE VER EC LEV  
 KA031 001 717946  
 KA041 001 717946

KA031  
 KA041  
 001

I/O CONTROL			
E.C. HISTORY	C-MACH.3277	FRAME	01 KA031
717473		IBN CORP.SDD	KA041
716959			
717492			
DATE LAST EC	P.M. 1823090		001
08-05-72 717946			



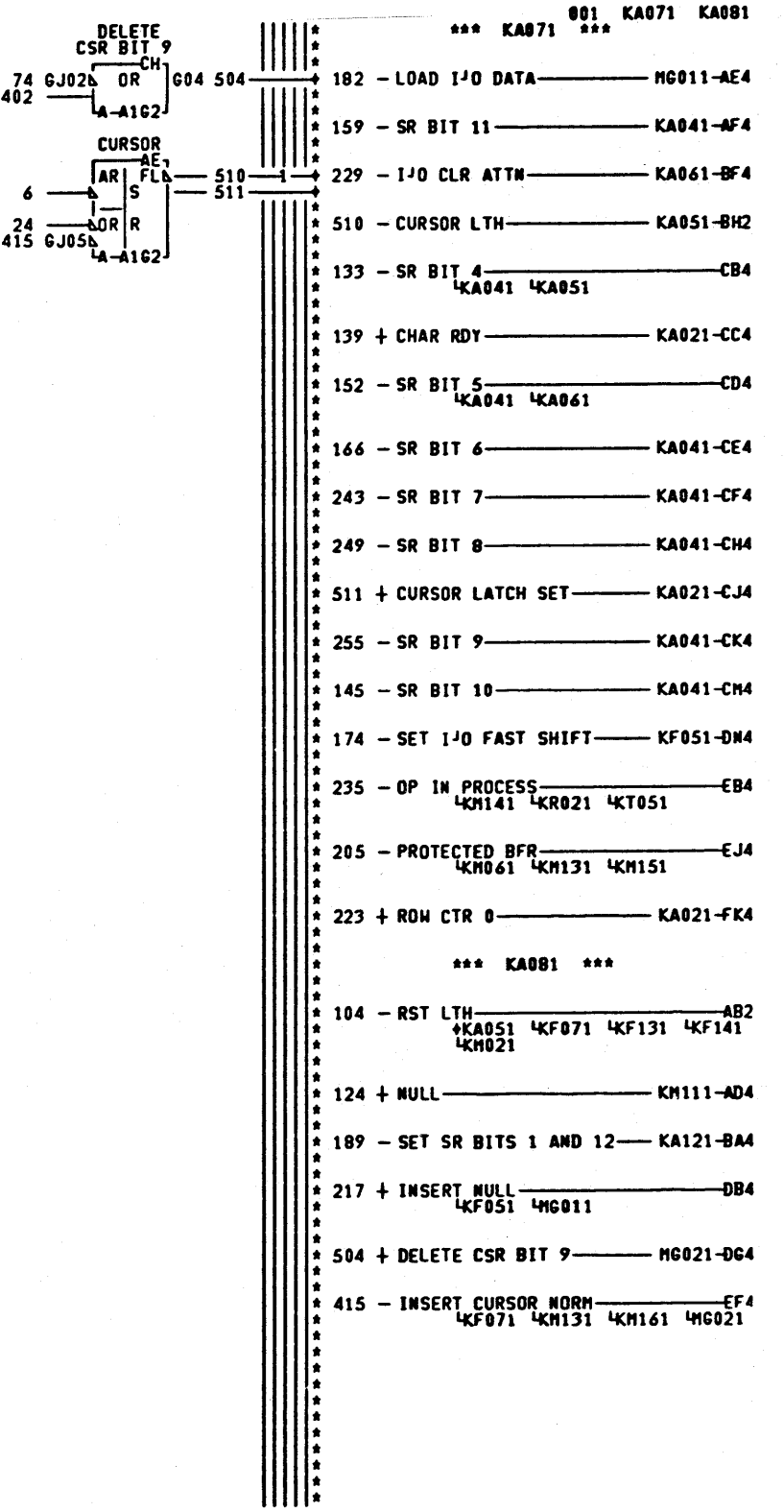
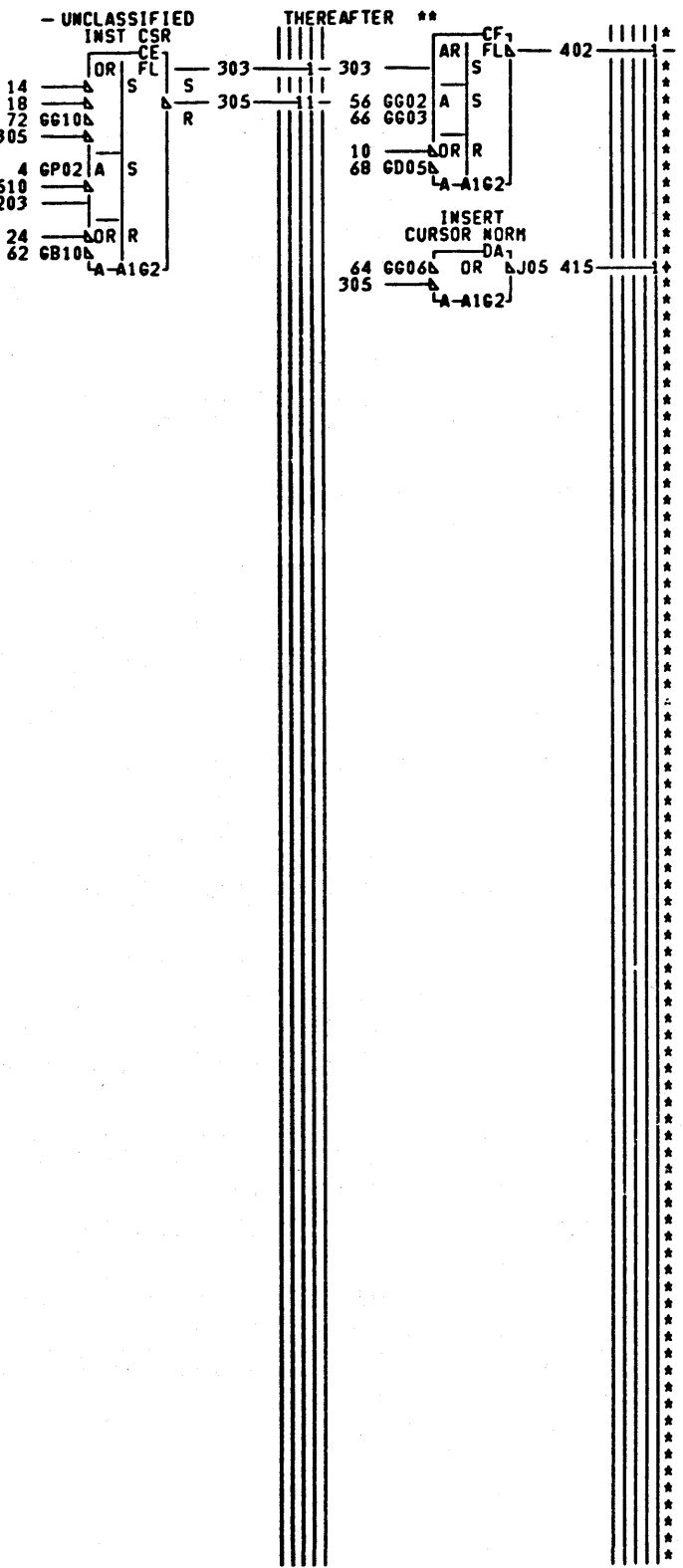
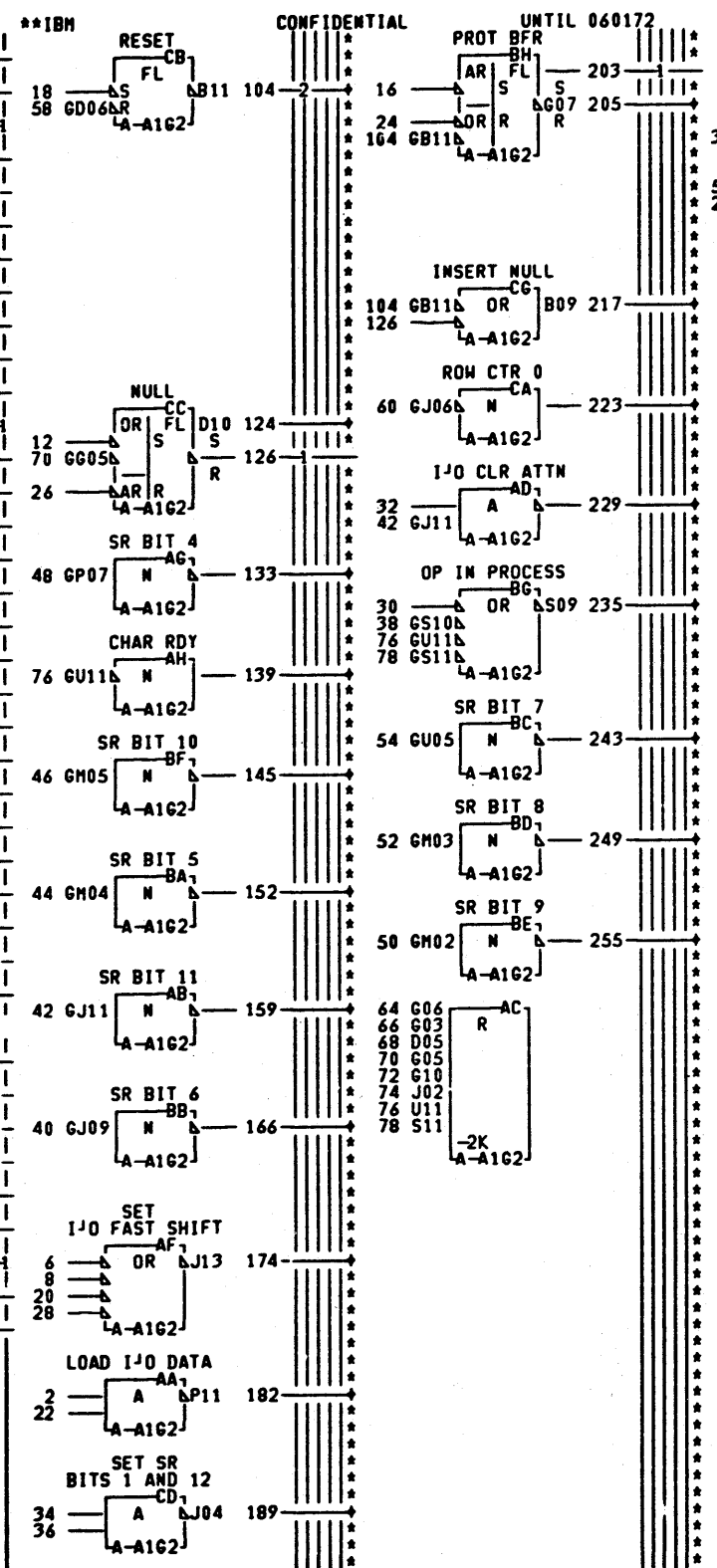
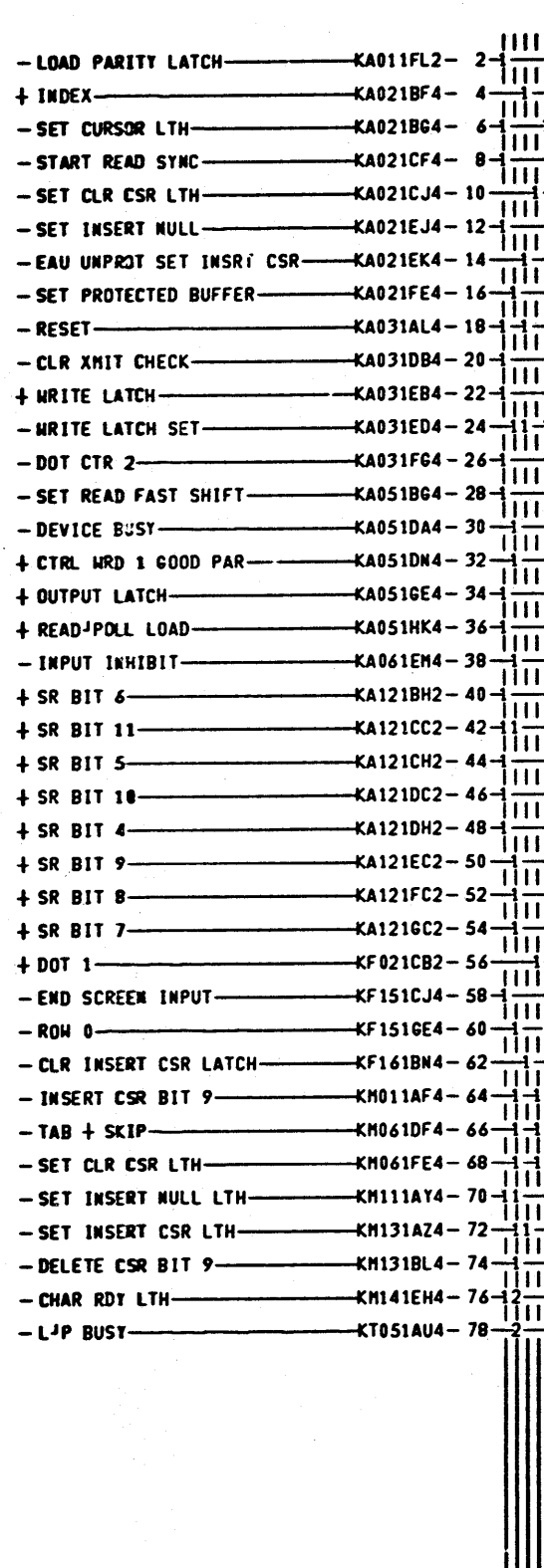
A.SIM TO PN 1563734 EC 717945  
 B.SIM TO PN 1563735 EC 717946

LOC. TYPE  
 A-A162 9068

PAGE VER EC LEV  
 KA051 001 717946  
 KA061 001 717946

KA051  
 KA061  
 001

I/O CONTROL			
E.C. HISTORY	C-MACH.3277		
717473		FRAME 01	KA051
716959		IBH CORP.SDD	KA061
717492			
DATE LAST EC	P.N. 1823095		001
08-05-72 717946			



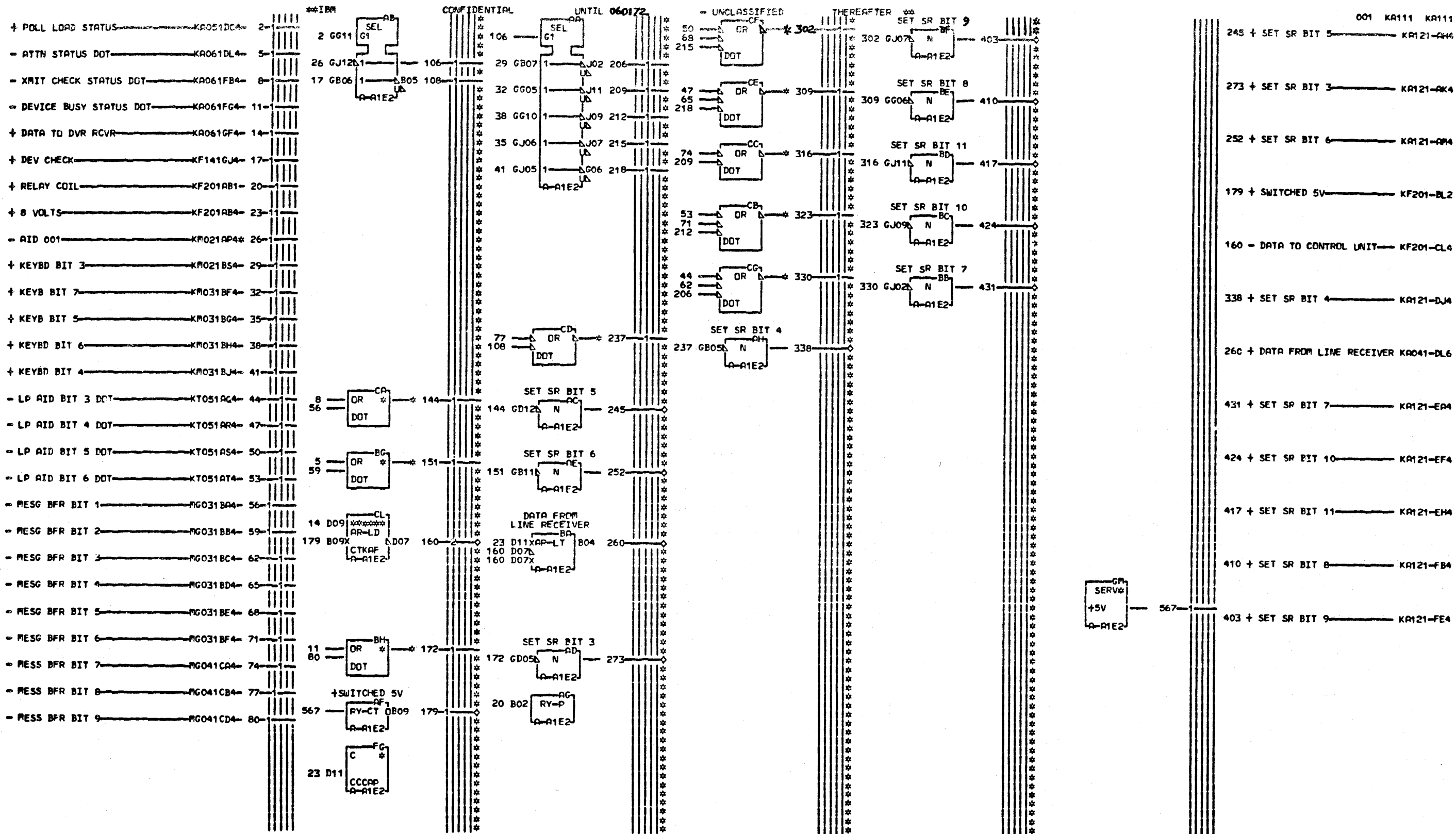
A.SIM TO PM 1563736 EC 717492

LOC. TYPE  
A-A162 9068

PAGE VER EC LEV  
KA071 001 717492  
KA081 000 717946

KA071  
KA081  
001

I/O CONTROL			
E.C. HISTORY	C	MACH.3277	
717473			
716959		FRAME 01	KA071
717492		IBM CORP.SDD	KA081
DATE	LAST EC	P.N. 1823100	001
08-05-72	717946		



\*\*IBM

CONFIDENTIAL UNTIL 060172

UNCLASSIFIED THEREAFTER

001 KA111 KA111

EDGE CONN.	A-A1E2B05	A-A1E2J02
26 RESISTOR	302 RESISTOR	
A-A1E2J12	A-A1E2J07	
144 RESISTOR	309 RESISTOR	
A-A1E2D12	A-A1E2G06	
151 RESISTOR	316 RESISTOR	
A-A1E2B11	A-A1E2J11	
172 RESISTOR	323 RESISTOR	
A-A1E2D05	A-A1E2J09	
237 RESISTOR	330 RESISTOR	

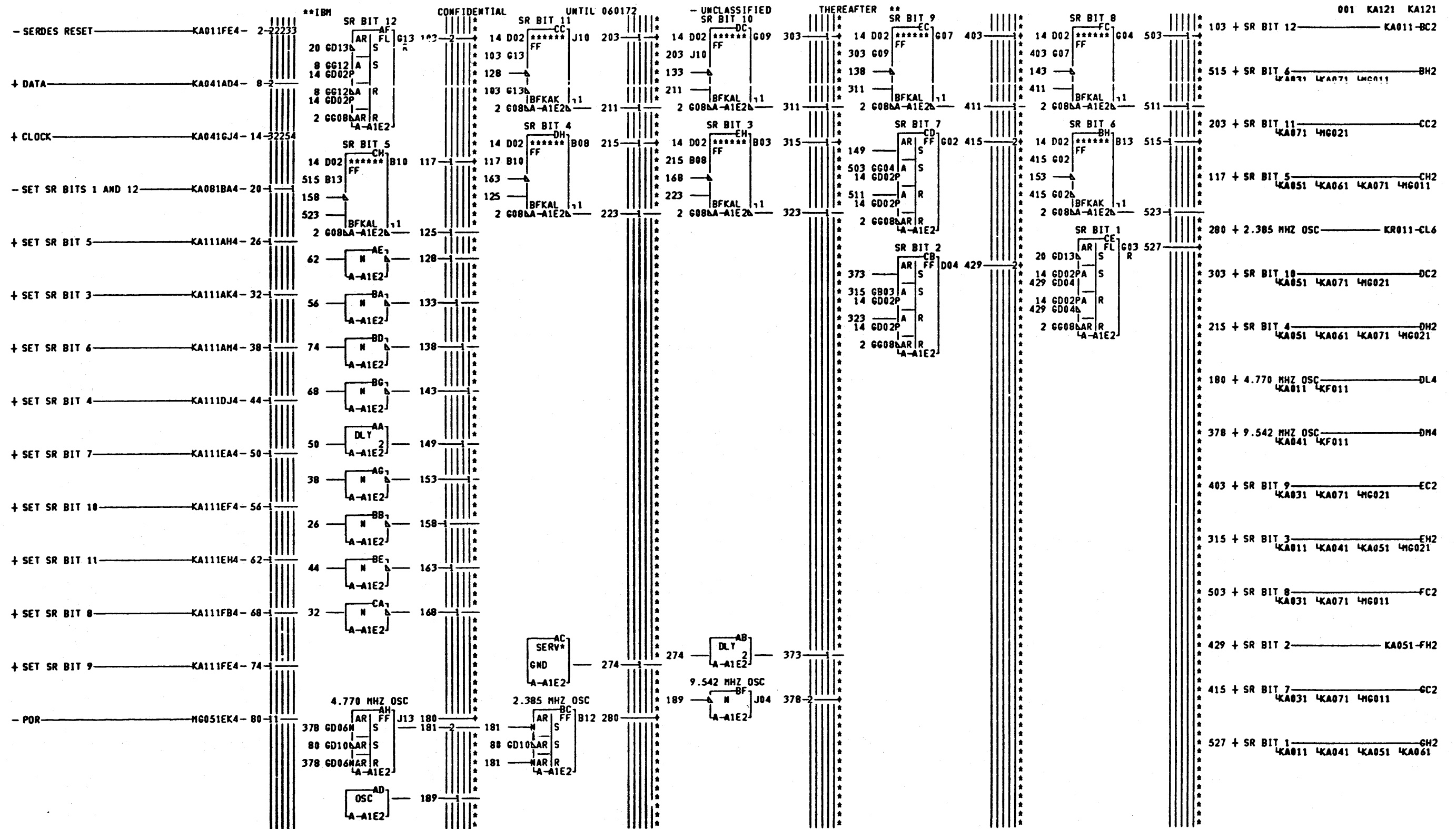
LOC. TYPE  
A-A1E2 L514

PAGE VER EC LEV  
KA111 001 717946

KA111  
KA111  
001 SIM TO PN 1563738 EC 717946

E-C-HISTORY		D-RACH#3277	
717473		FRAME	01 KA111
716959		IBA CORP#KN	KA111
717492		DATE LAST EC	08-05-72 717946
		Pa#	1824194 001



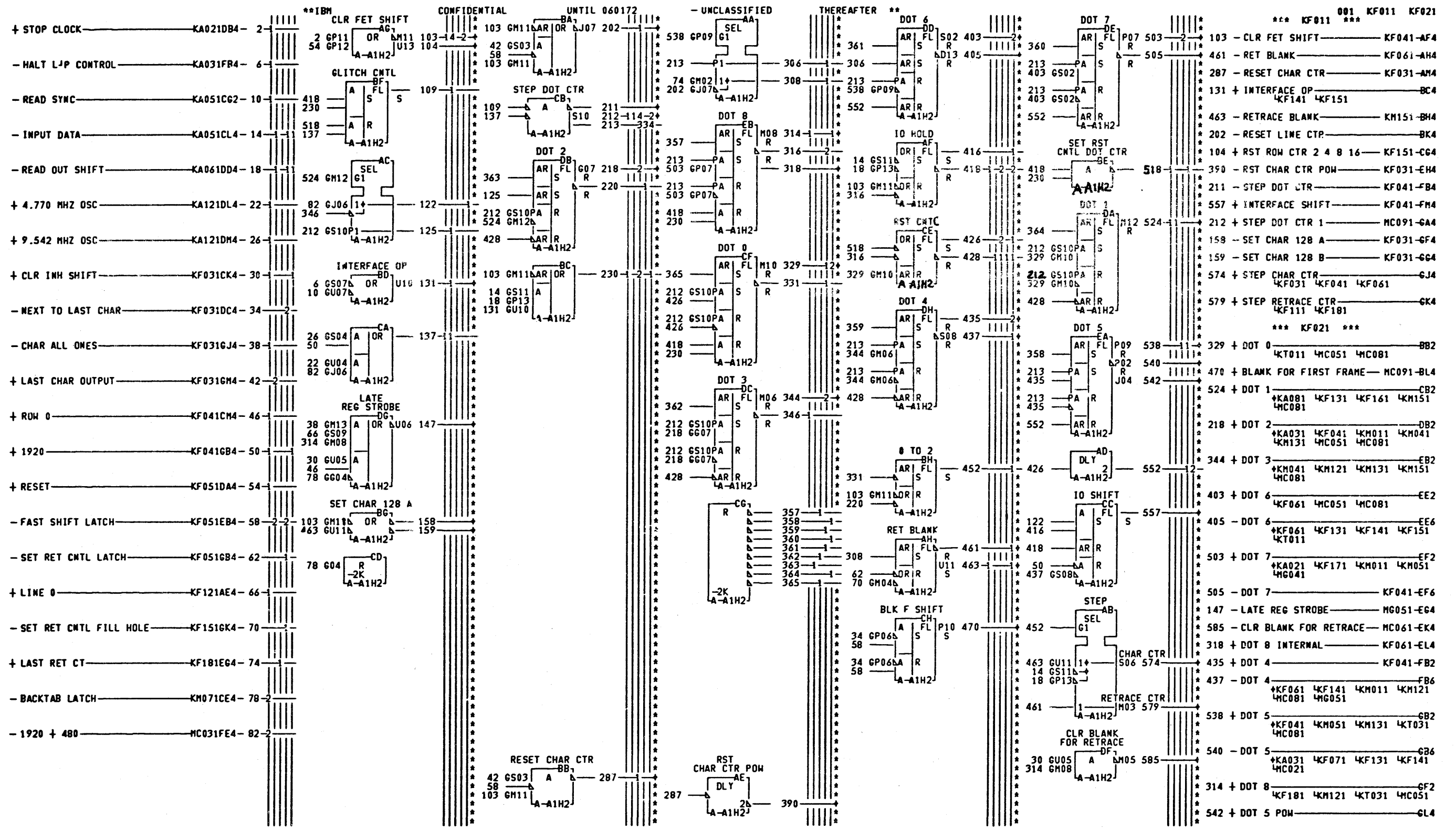


LOC. TYPE  
A-A1E2 LS14

PAGE VER EC LEV  
KA121 001 717492

KA121  
KA121  
001 SIM TO PN 1563739 EC 717492

SERDES J SPECIAL CIRCUITS		
E.C. HISTORY	C-MACH. 3277	
717473		
716959	FRAME 01	KA121
DATE LAST EC	IBM CORP. KW	KA121
06-01-72 717492	P.N. 1823103	001



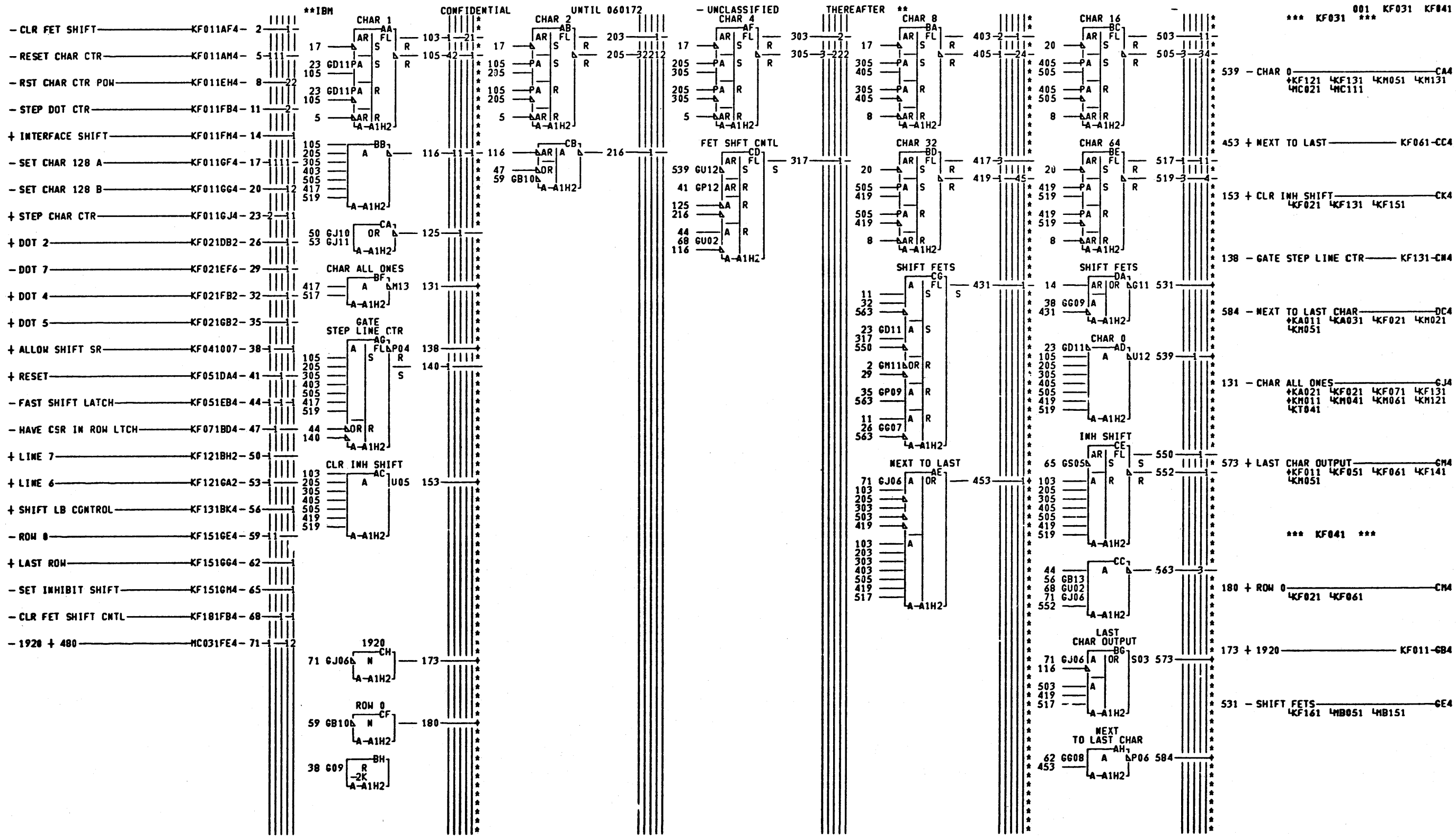
A.SIM TO PM 1563740 EC 717946  
 B.SIM TO PM 1563741 EC 717946

LOC. TYPE  
 A-A1H2 9071

PAGE VER EC LEV  
 KF811 001 717946  
 KF921 001 717946

KF011  
 KF021  
 001

CLOCK AND STEP CONTROL			
-E C -HISTORY-	C	MACH.3277	
717473			
716959	FRAME	01	KF011
717492			
DATE	LAST EC	IBH CORP.KN	KF021
08-05-72	717946	P.N. 1823105	001



A-SIM TO PM 1563742 EC 717946

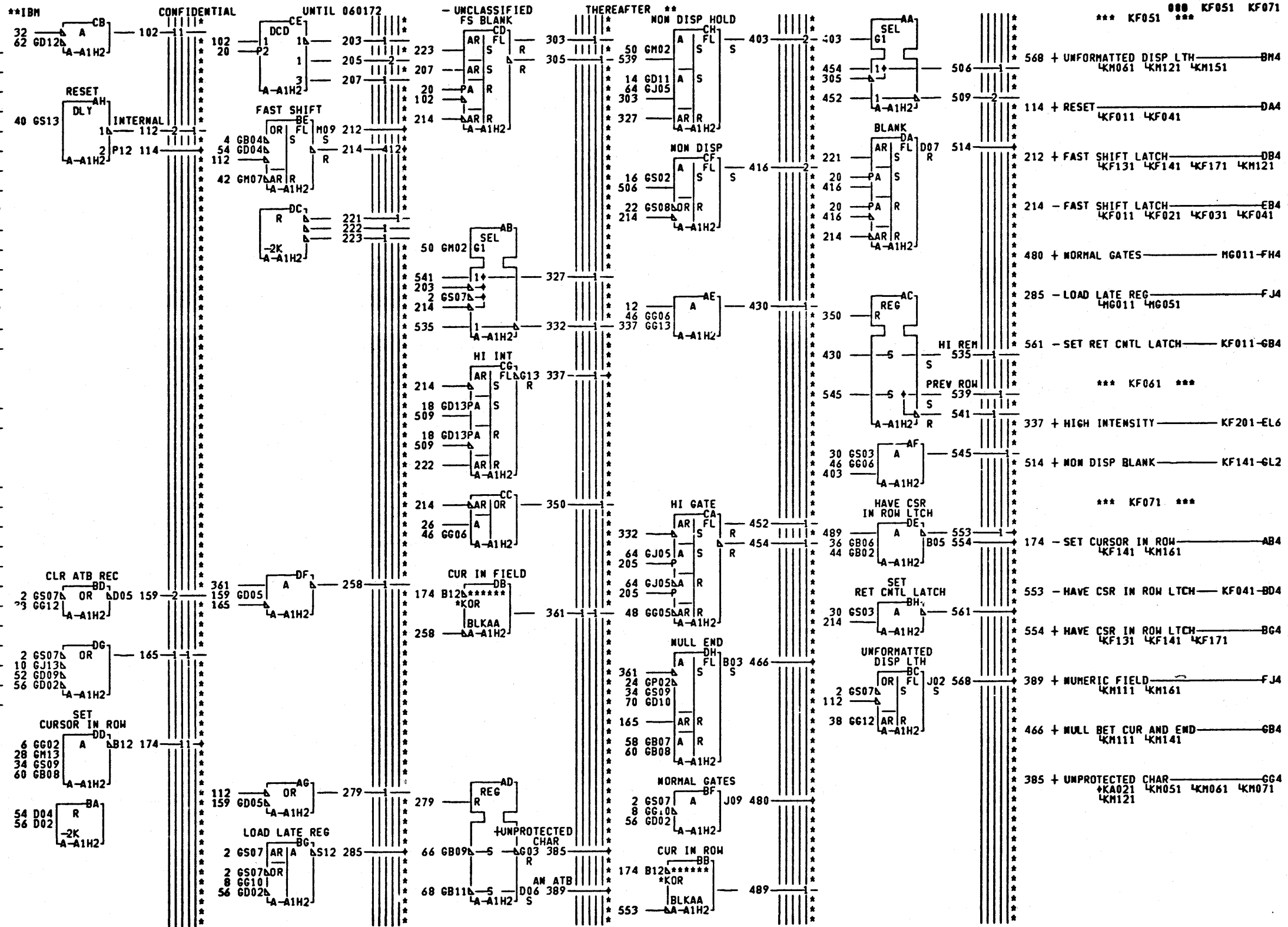
LOC. TYPE  
A-A1H2 9071

PAGE VER EC LEV  
KF031 001 717946  
KF041 000 717946

KF031  
KF041  
001

CLOCK AND STEP CONTROL		
-E.C.-HISTORY	C-MACH.3277	
717473		
716959	FRAME 01	KF031
717492		
DATE	LAST EC	IBN CORP.KN
08-05-72	717946	P.N. 1823112
		001

- WRITE LATCH SET KA031FB4- 2-22111
- SET I/O FAST SHIFT KA071DN4- 4
- RST LTH KA081AB2- 6
- + INSERT NULL KA081DB4- 8
- INSERT CURSOR NORM KA081EF4- 10
- RET BLANK KF011AH4- 12
- + STEP CHAR CTR KF011GJ4- 14
- + DOT 6 KF021EE2- 16
- DOT 6 KF021EE6- 18
- + DOT 8 INTERNAL KF021EL4- 20
- DOT 4 KF021FB6- 22
- DOT 5 KF021GB6- 24
- + NEXT TO LAST KF031CC4- 26
- CHAR ALL ONES KF031GJ4- 28
- + LAST CHAR OUTPUT KF031GH4- 30
- + ROW 0 KF041CH4- 32
- + LINE 0 KF121AE4- 34
- + LINE CTR CYCLE KF131DB4- 36
- + CLR ATB REG KF131DD4- 38
- + RESET KF131DK4- 40
- END SCREEN INPUT KF151CJ4- 42
- COND ROW CTR CLR KF151DL4- 44
- + LAST LINE KF171DB4- 46
- RETRACE 6 KF181BG4- 48
- + LAST RET CT KF181EG4- 50
- F Q INSERT BIT 9 KM011AG4- 52
- SET KB FAST SHIFT KM041GN4- 54
- LOAD LATE REG GT KM131BH4- 56
- + FETS OUT BIT 8 MB141BD4- 58
- + FETS OUT BIT 9 MB141CB4- 60
- BIT 8 FROM LINE BUFFER MC021BL4- 62
- + NON DIS OR HI INTEN. MC081GB4- 64
- ATTB REG BIT 2 MG031CA4- 66
- ATTB REG BIT 3 MG031CB4- 68
- + NULL IN FETS MG041EA4- 70

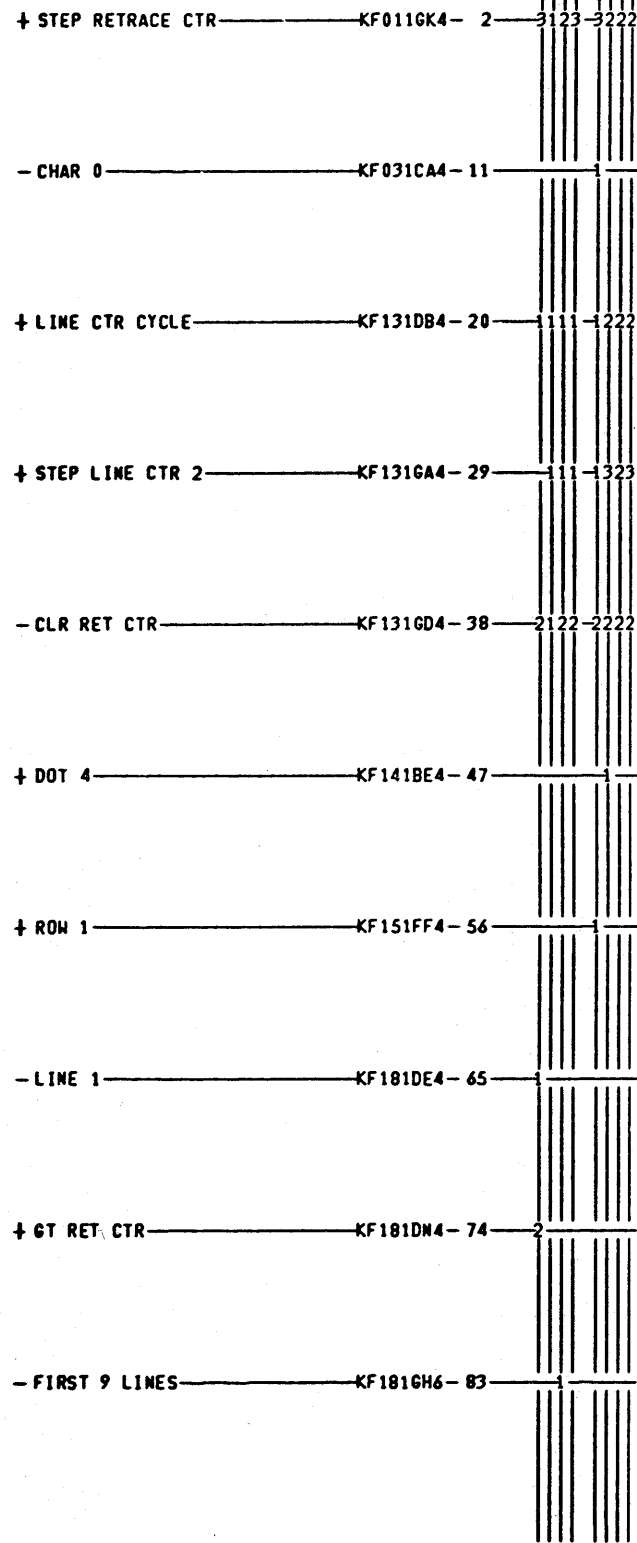


KF051  
KF071  
000

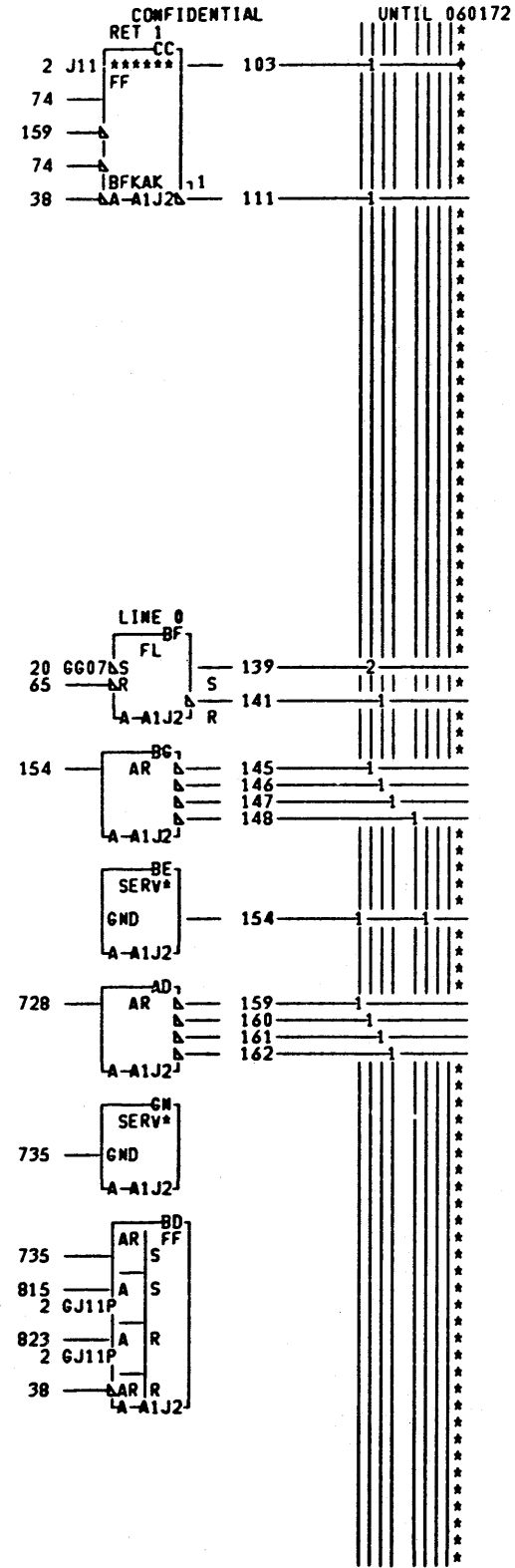
LOC. TYPE  
A-A1H2 9071

PAGE VER EC LEV  
KF051 000 717946  
KF061 000 717946  
KF071 000 717946

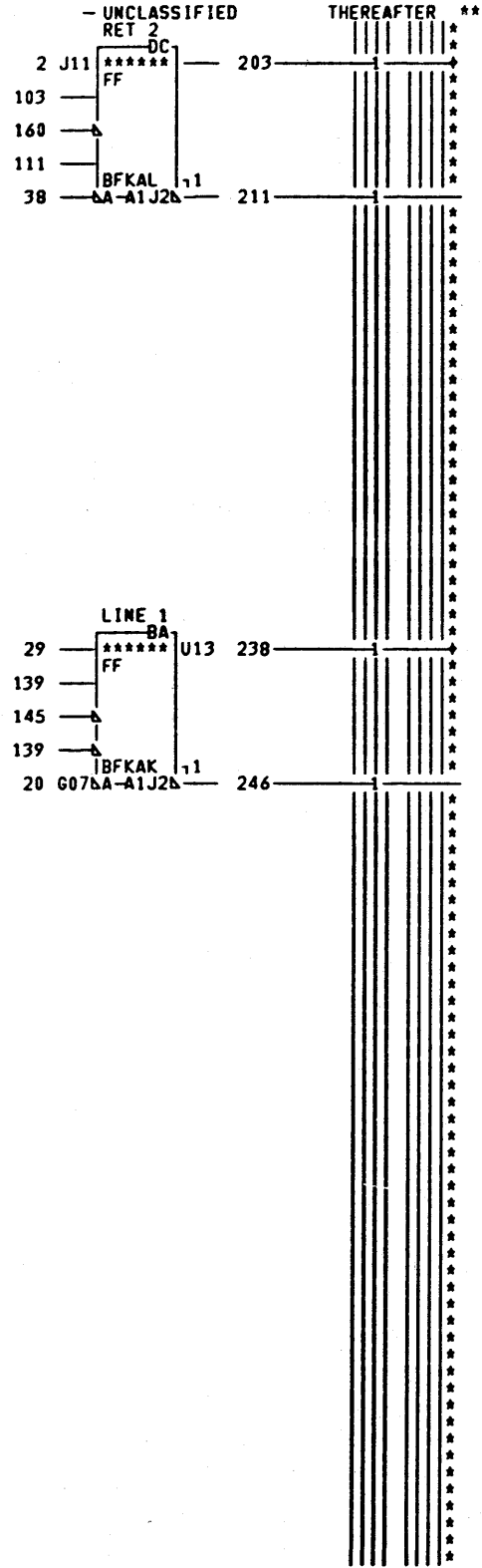
CLOCK AND STEP CONTROL			
E.C. HISTORY	C-MACH.3277		
717473		FRAME	01 KF051
716959		IBH CORP.KN	KF071
717492			
DATE	LAST EC	P.N.	1823118 000
08-05-72	717946		



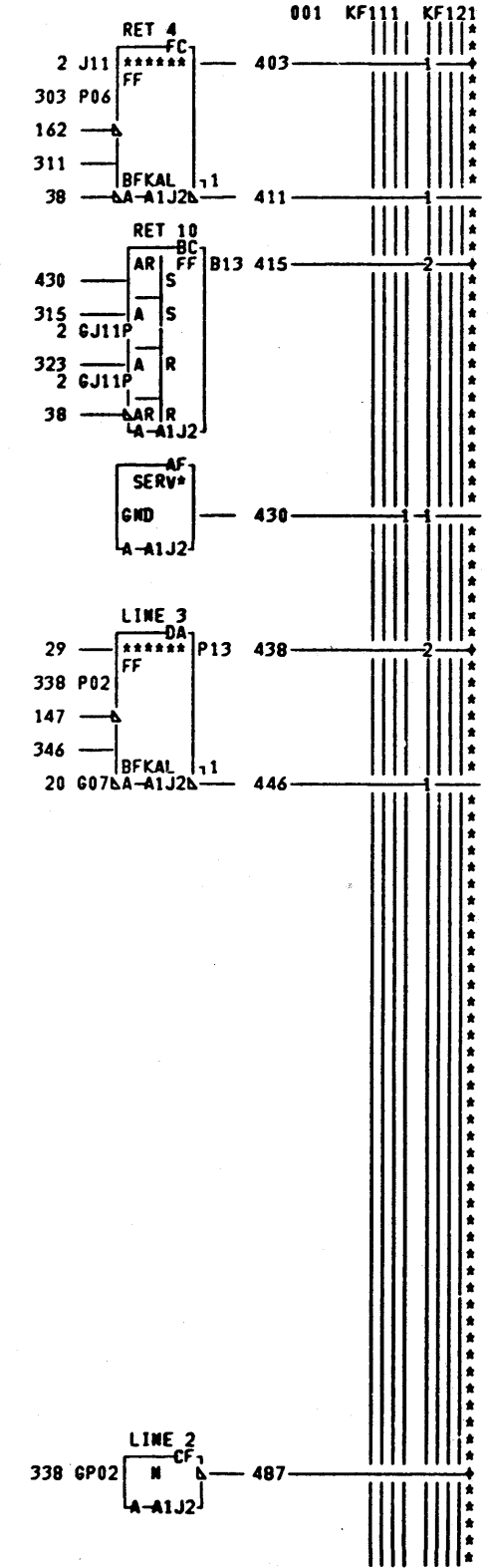
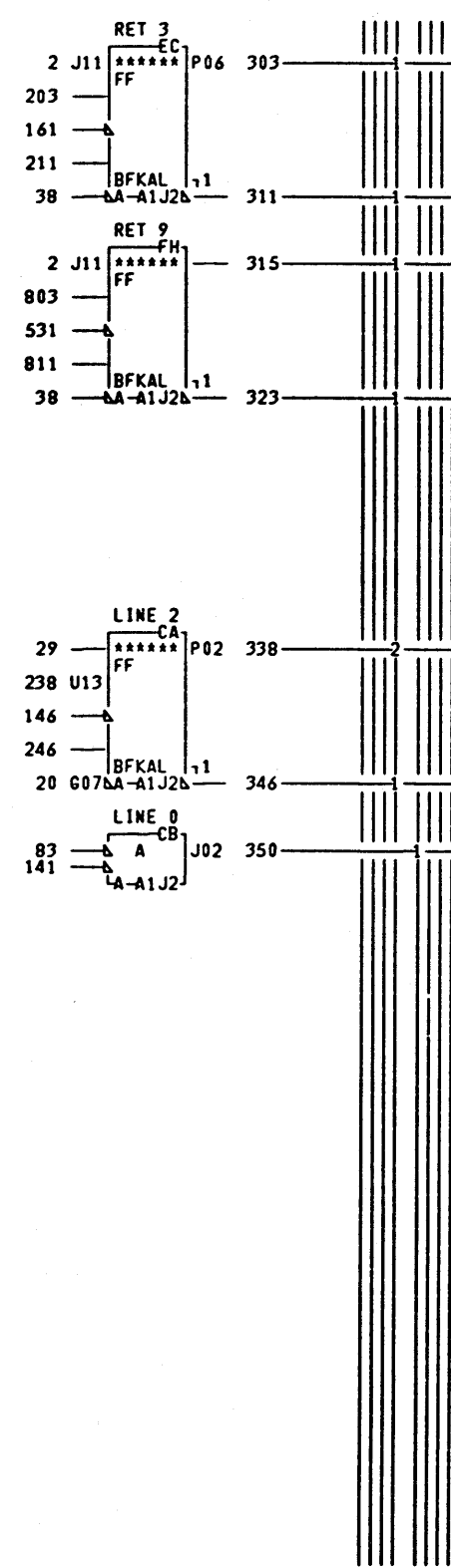
PAGE B.SIM TO PN 1563748 EC 717946  
 01 OF 02  
 KF111  
 KF121  
 001



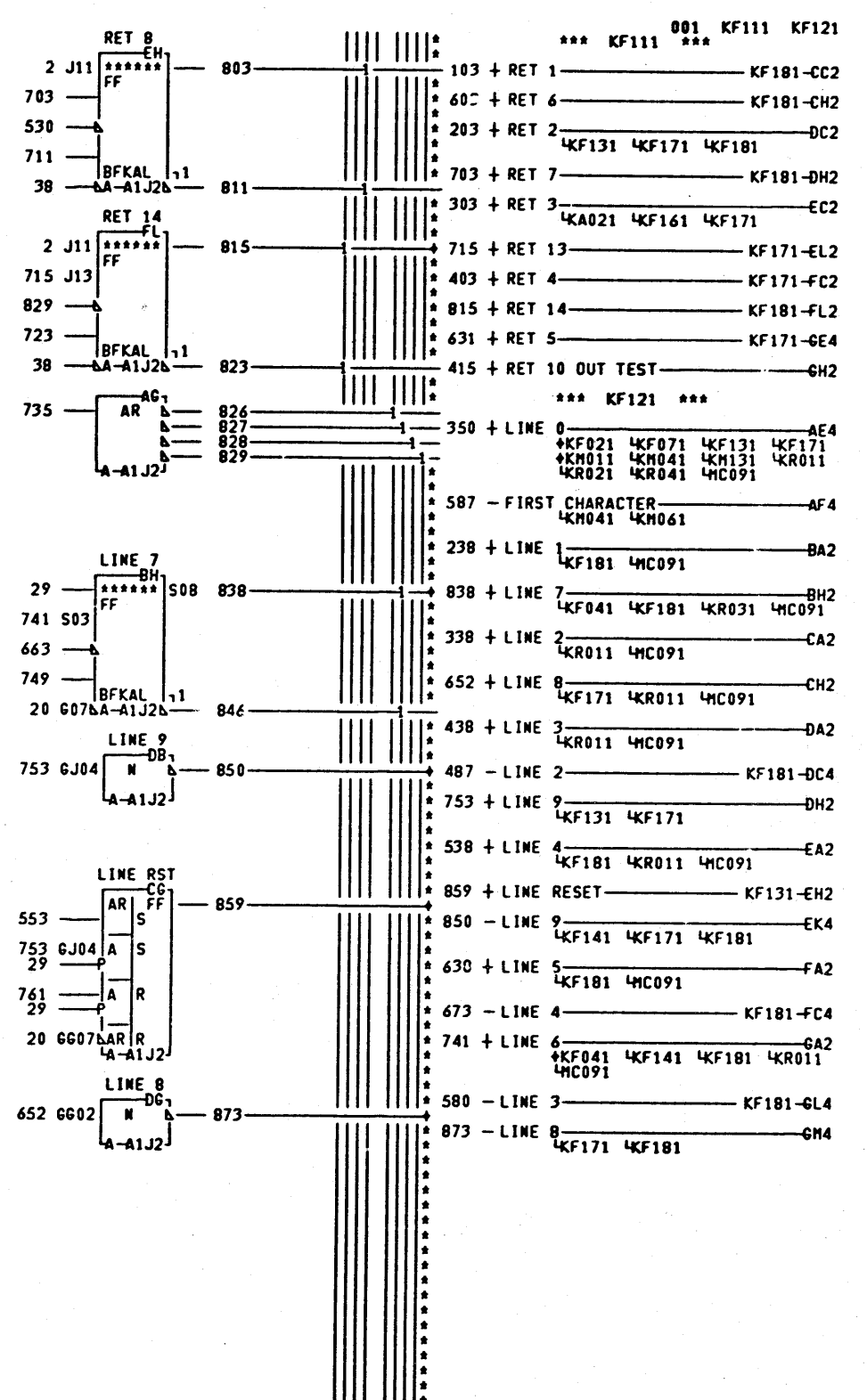
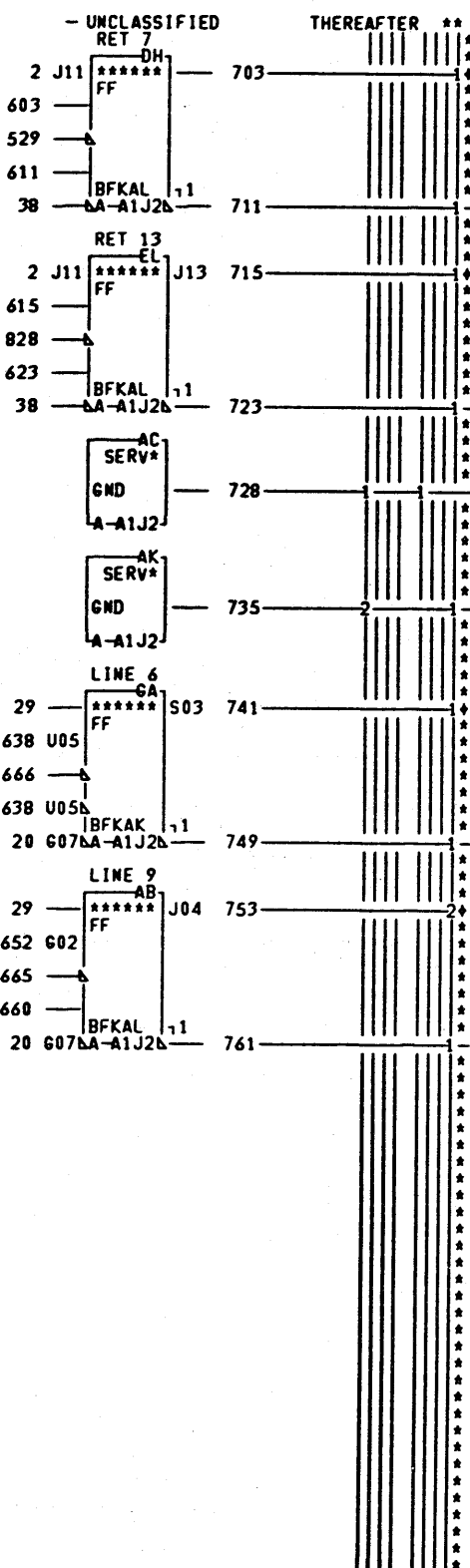
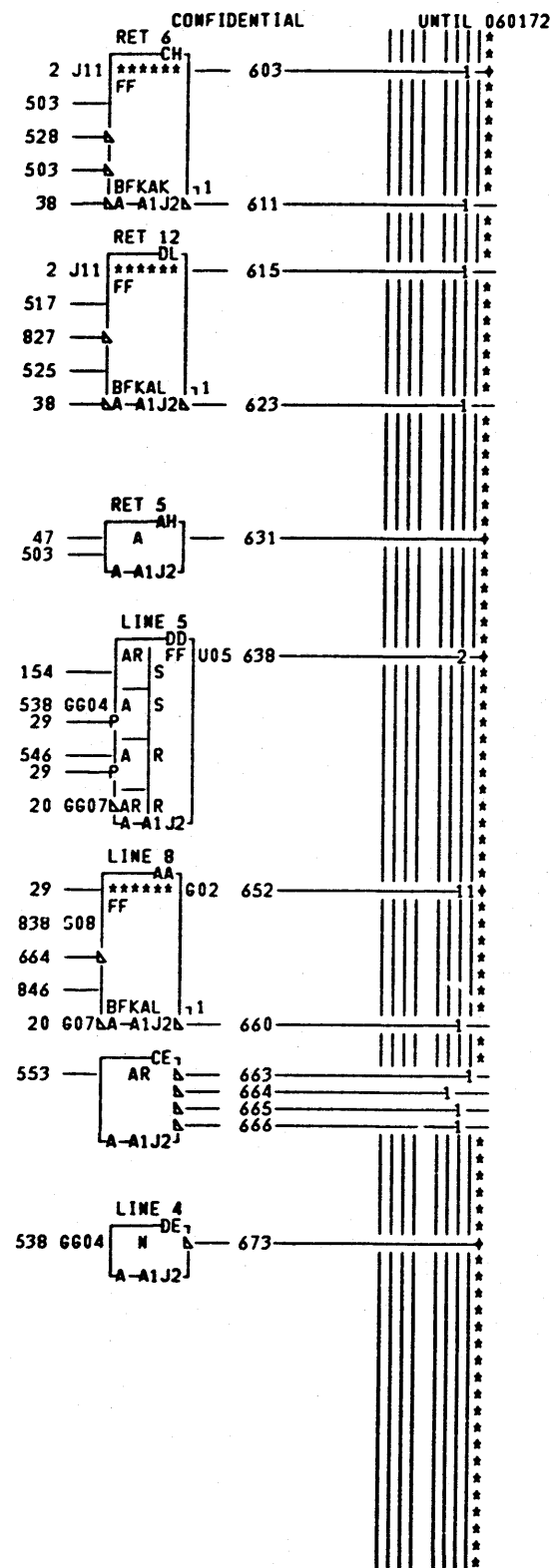
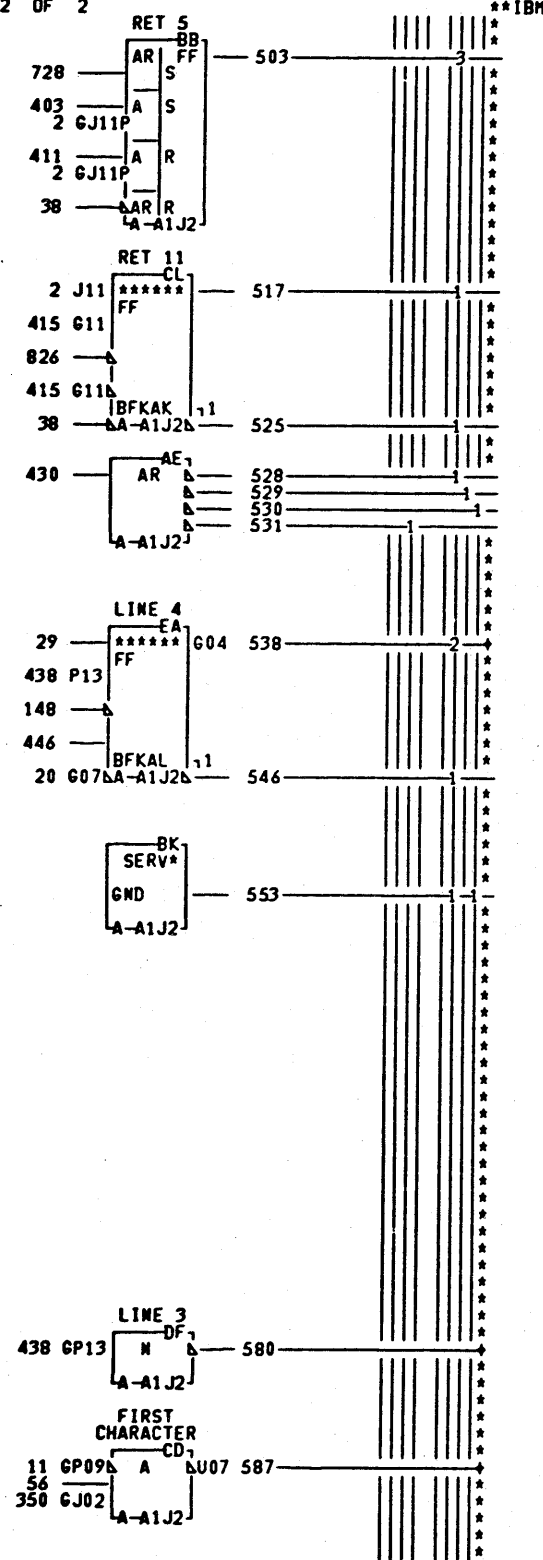
LOC. TYPE  
 A-1J2 9067

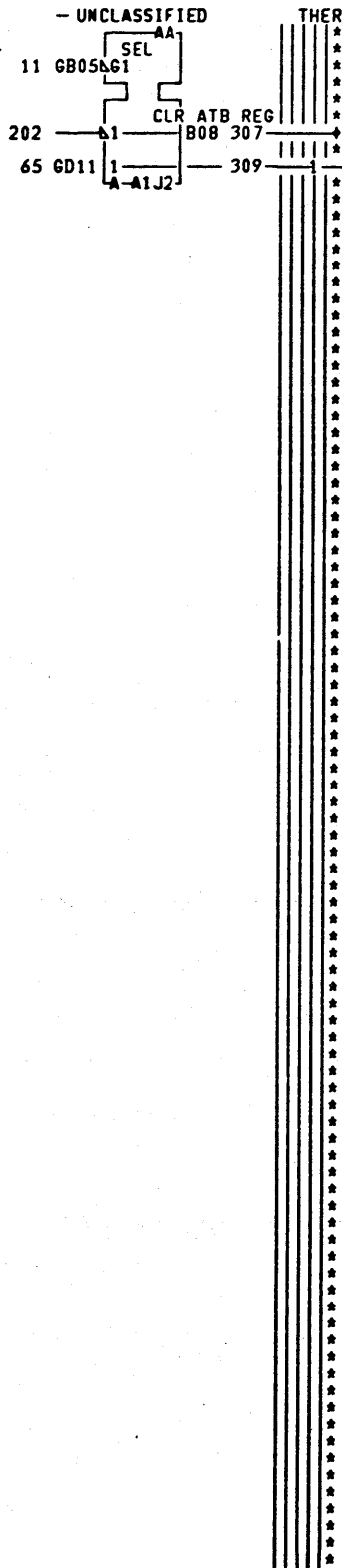
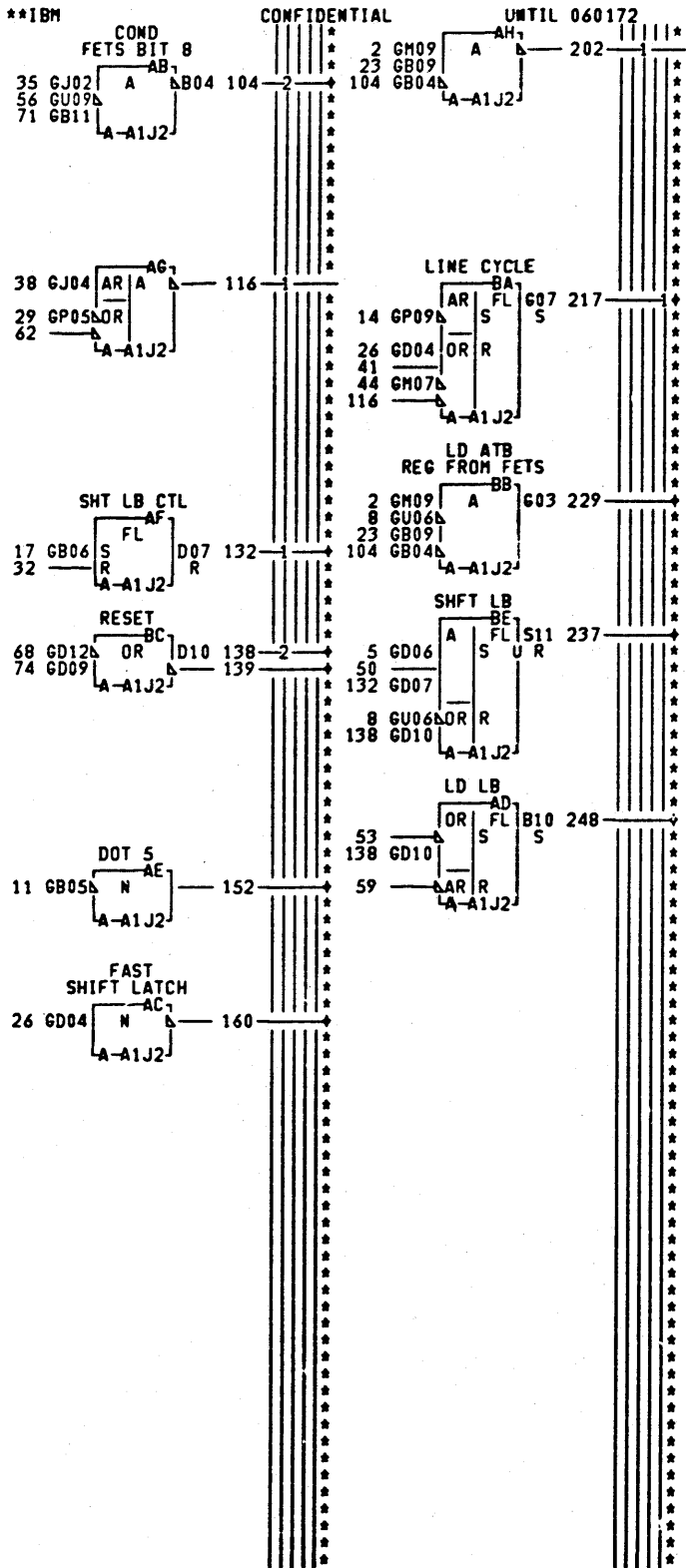
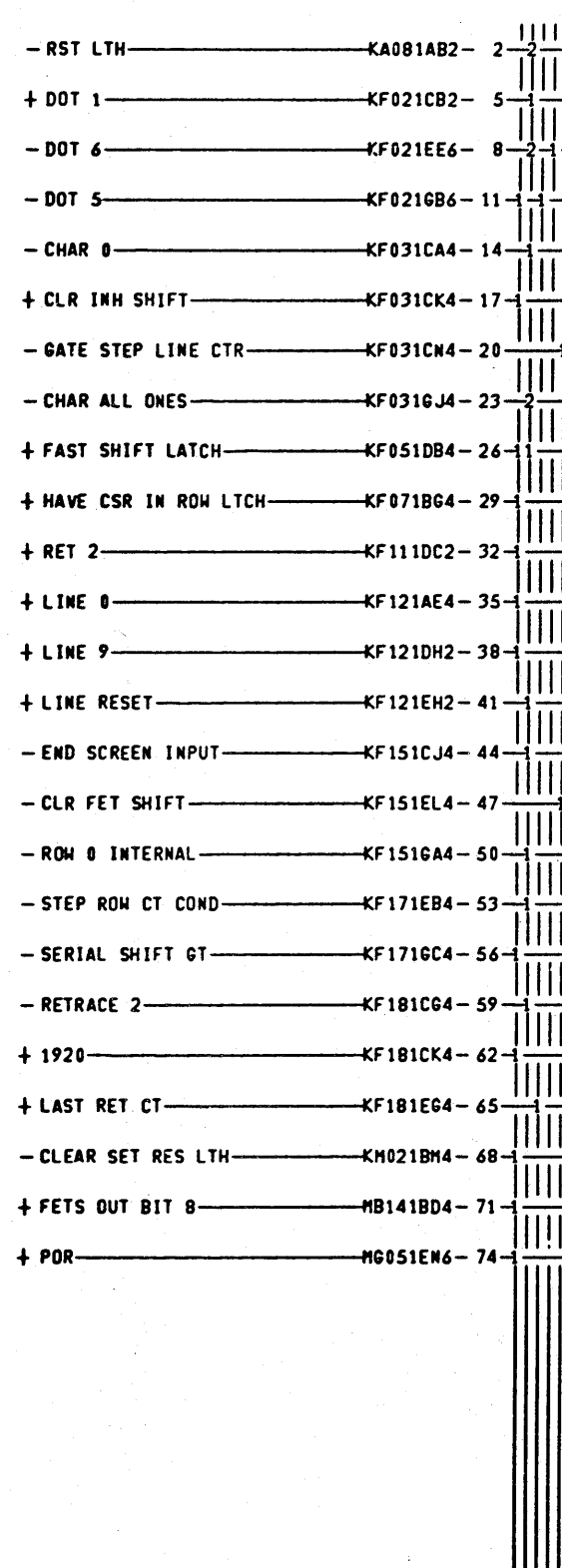


PAGE VER EC LEV  
 KF111 000 717492  
 KF121 001 717946



DISPLAY CONTROL		PAGE
-E.C.-HISTORY-C-MACH.3277		01
717473	FRAME 01	02
717492	IBM CORP.KN	KF111
DATE LAST EC	P.N. 1823123	KF121
08-05-72 717946		001





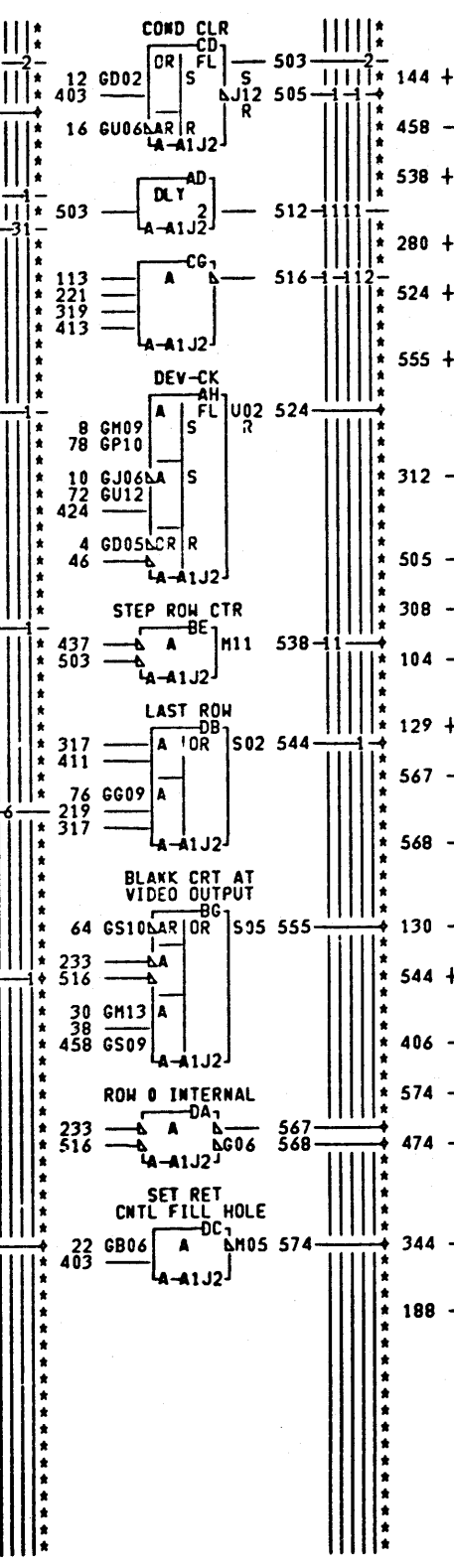
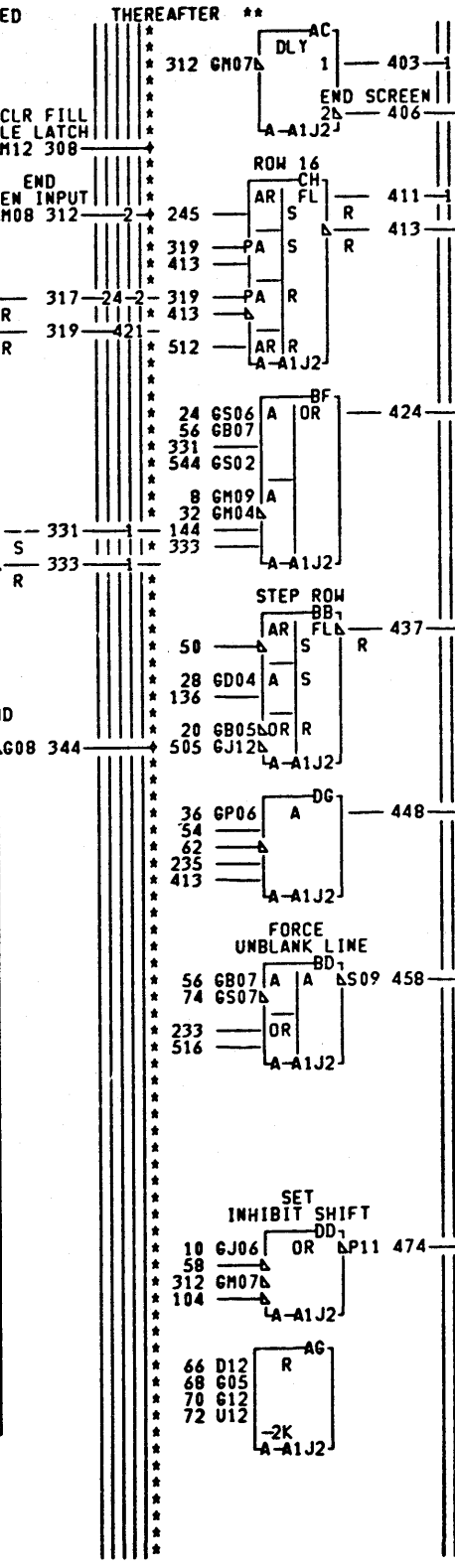
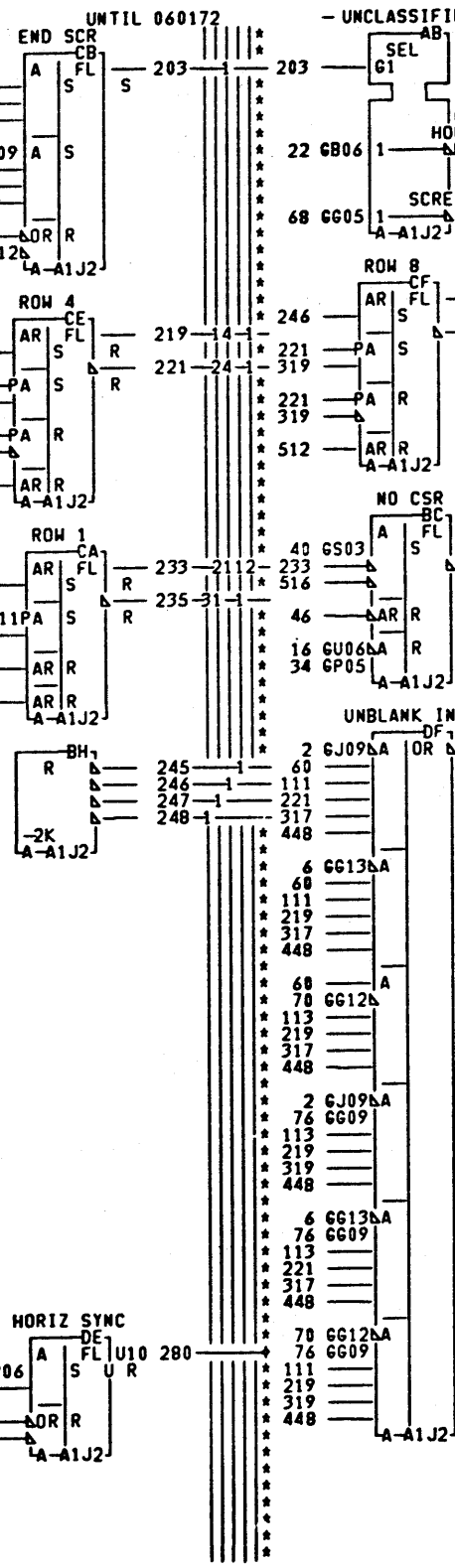
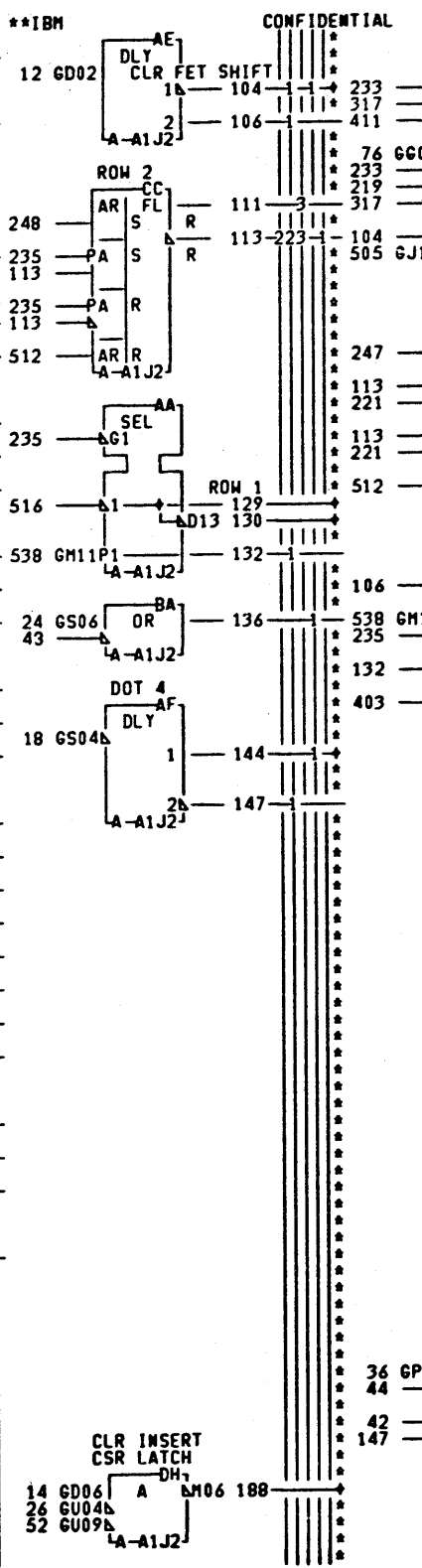
LOC. TYPE  
A-A1J2 9067

PAGE VER EC LEV  
KF131 000 717946

DISPLAY CONTROL			
-E.C.-HISTORY	-C-MACH.3277		
717473		FRAME 01	KF131
717492		IBM CORP.KN	KF131
DATE	LAST EC	P.N.	
08-05-72	717946	1023127	000

KF131  
KF131  
000

- SYST RDY LTH SET KA031EF2- 2  
 - HALT L/P CONTROL KA031FB4- 4  
 - INPUT INHIBIT KA061EM4- 6  
 - RST LTH KA081AB2- 8  
 + INTERFACE OP KF011BC4- 10  
 + RST ROW CTR 2 4 8 16 KF011CG4- 12  
 + DOT 1 KF021CB2- 14  
 - DOT 6 KF021EE6- 16  
 - DOT 4 KF021FB6- 18  
 - DOT 5 KF021GB6- 20  
 + CLR INH SHIFT KF031CK4- 22  
 + LAST CHAR OUTPUT KF031GM4- 24  
 - SHIFT FETS KF041GE4- 26  
 + FAST SHIFT LATCH KF051DB4- 28  
 + MON DISP BLANK KF061GL2- 30  
 - SET CURSOR IN ROW KF071AB4- 32  
 + HAVE CSR IN ROW LTH KF071BG4- 34  
 + RET 3 KF111EC2- 36  
 - LINE 9 KF121EK4- 38  
 + LINE 6 KF121GA2- 40  
 - FAST SHIFT LATCH KF131AF4- 42  
 + DOT 5 KF131BF4- 44  
 - RESET KF131EK4- 46  
 - RET 5 KF171CF4- 48  
 - STEP ROW CT COND KF171EB4- 50  
 - SERIAL SHIFT GT KF171GC4- 52  
 - STEP RET CTR KF181BL4- 54  
 + LP LINE KF181CD4- 56  
 - RETRACE 2 KF191CG4- 58  
 + 1920 KF181CK4- 60  
 - FIRST 9 LINES KF181GH6- 62  
 - SECURITY KEY KF201AB5- 64  
 - CLEAR SET RES LTH KM021BH4- 66  
 - FILL HOLE KM041FJ4- 68  
 - INSERT MODE KM121AM4- 70  
 + ALLOW CSR CK KM151EG4- 72  
 - DRAW BARS KT051AL4- 74  
 - 1920 + 480 HC031FE4- 76  
 + P CHK BFR HG041EB4- 78



001 KF141 KF161  
 \*\*\* KF141 \*\*\*  
 144 + DOT 4 KF111-BE4  
 458 - FORCE UNBLANK LINE MC021-EL4  
 538 + STEP ROW CTR KF201-GC4  
 280 + HORIZ SYNC KF201-GC4  
 524 + DEV CHECK KA061 KA111  
 555 + BLANK CRT AT VIDED OUTPUT MC091  
 \*\*\* KF151 \*\*\*  
 312 - END SCREEN INPUT CJA  
 KA011 KA021 KA081 KF051  
 KF131 KM111 KR071  
 505 - COND ROW CTR CLR KF071-DL4  
 308 - CLR FILL HOLE LATCH KM041-DH4  
 104 - CLR FET SHIFT KF131 KF171  
 129 + ROW 1 KF121-FF4  
 567 - ROW 0 INTERNAL KA4  
 KF131 KF181  
 568 - ROW 0 KA021 KA071 KF041 KM011  
 KM071 KT041 MC021 MC111  
 130 - ROW 1 KM131-GF4  
 544 + LAST ROW KA021 KF031 KM051  
 406 - END SCREEN KF171-GH4  
 574 - SET RET CNTL FILL HOLE KF011-GK4  
 474 - SET INHIBIT SHIFT KF041-GH4  
 \*\*\* KF161 \*\*\*  
 344 - UNBLANK IND MC081 MC091  
 188 - CLR INSERT CSR LATCH KA081-BN4

A.SIM TO PN 1563750 EC 717492  
 B.SIM TO PN 1563751 EC 717946

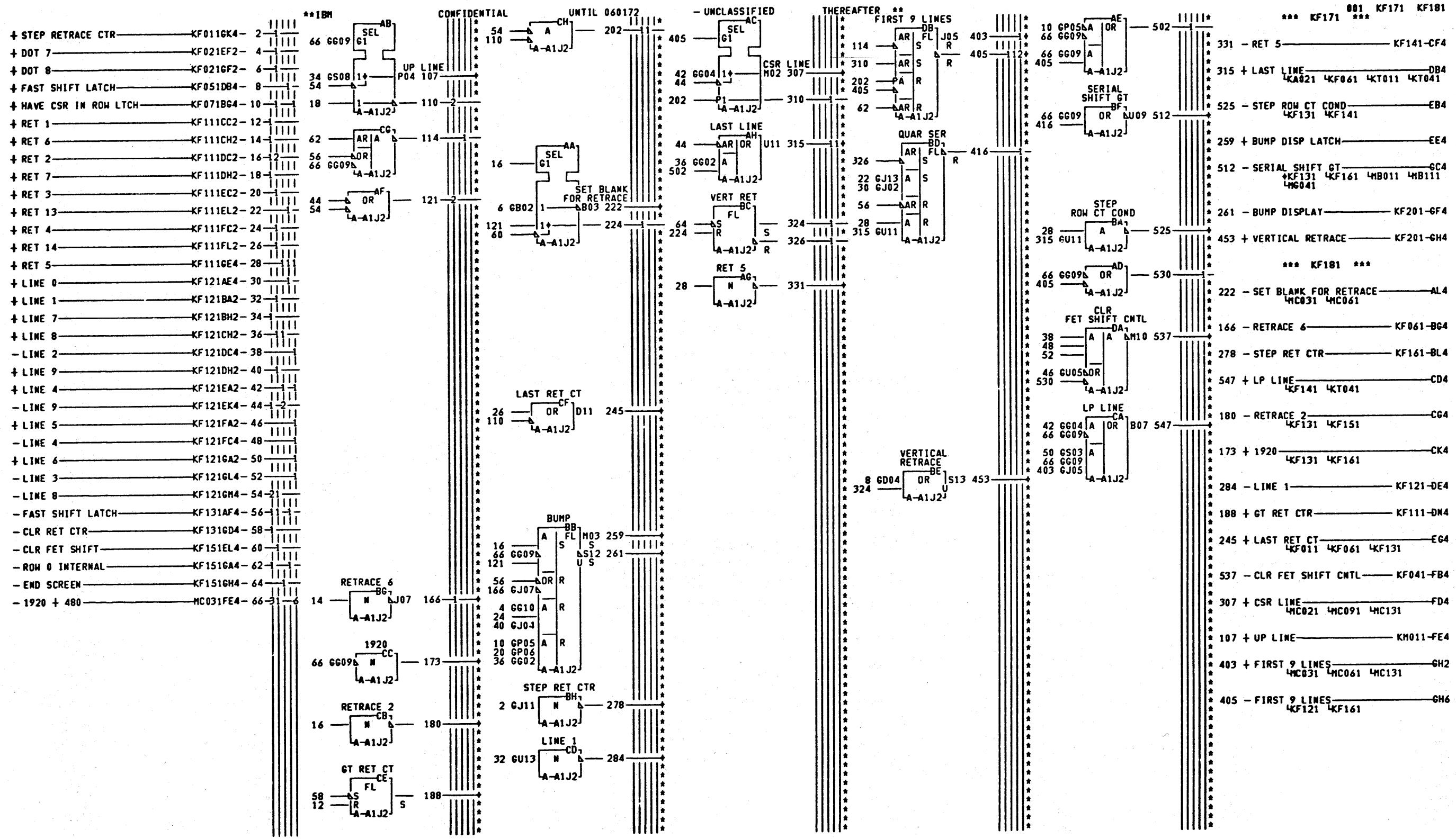
LOC. TYPE  
 A-A1J2 9867

PAGE VER EC LEV  
 KF141 001 717492  
 KF151 001 717946  
 KF161 000 717473

DISPLAY CONTROL			
-E.C.-HISTORY-	C	MACH.3277	
717473		FRAME	01 KF141
716959		IBM CORP.KN	KF161
717492		P.N.	1823132 001
DATE	LAST EC		
08-05-72	717946		

KF141  
 KF161  
 001





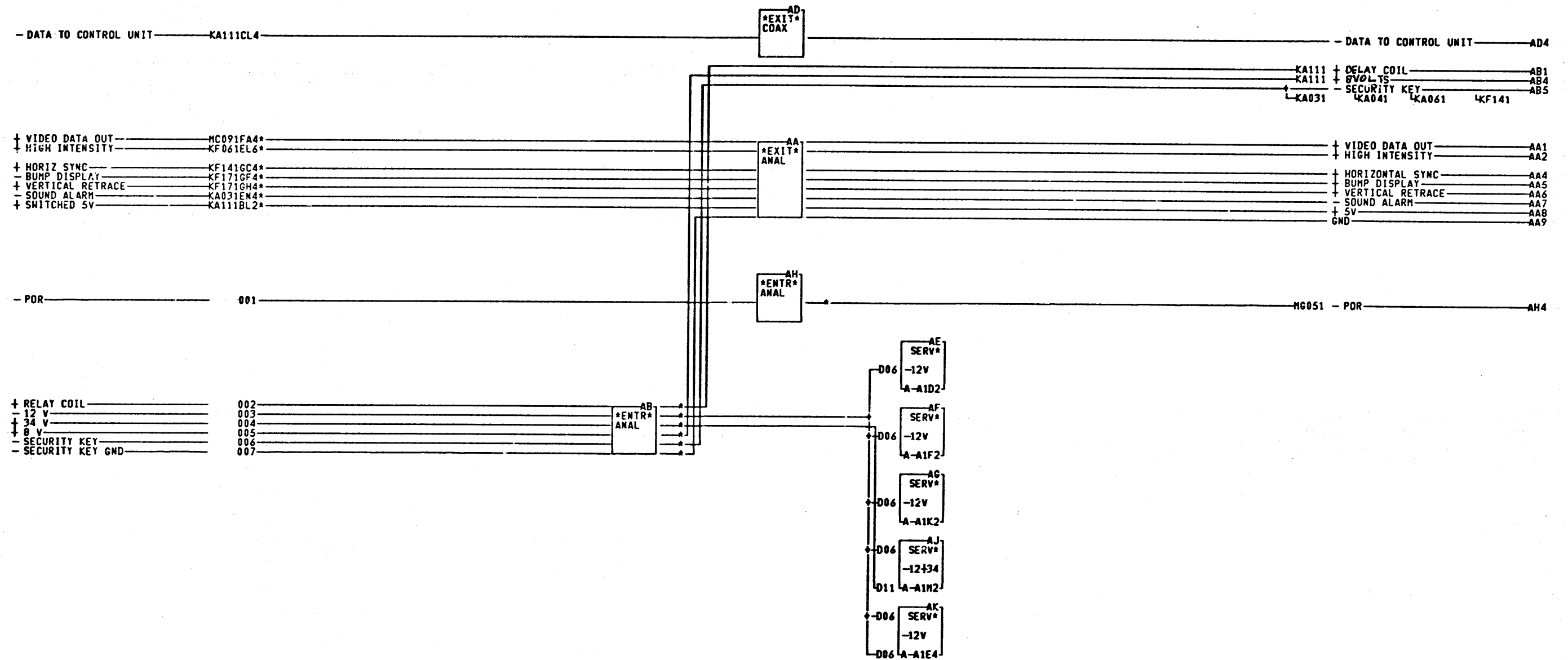
A.SIM TO PN 1563753 EC 717946  
 B.SIM TO PN 1563754 EC 717473

LOC. TYPE  
 A-A1J2 9067

PAGE VER EC LEV  
 KF171 001 717946  
 KF181 001 717473

DISPLAY CONTROL		
E.C. HISTORY	C-MACH.3277	
717473		
717492	FRAME 01	KF171
DATE LAST EC	IBM CORP.KN	KF181
08-05-72 717946	P.N. 1823139	001

KF171  
 KF181  
 001



K  
F  
2  
0  
1

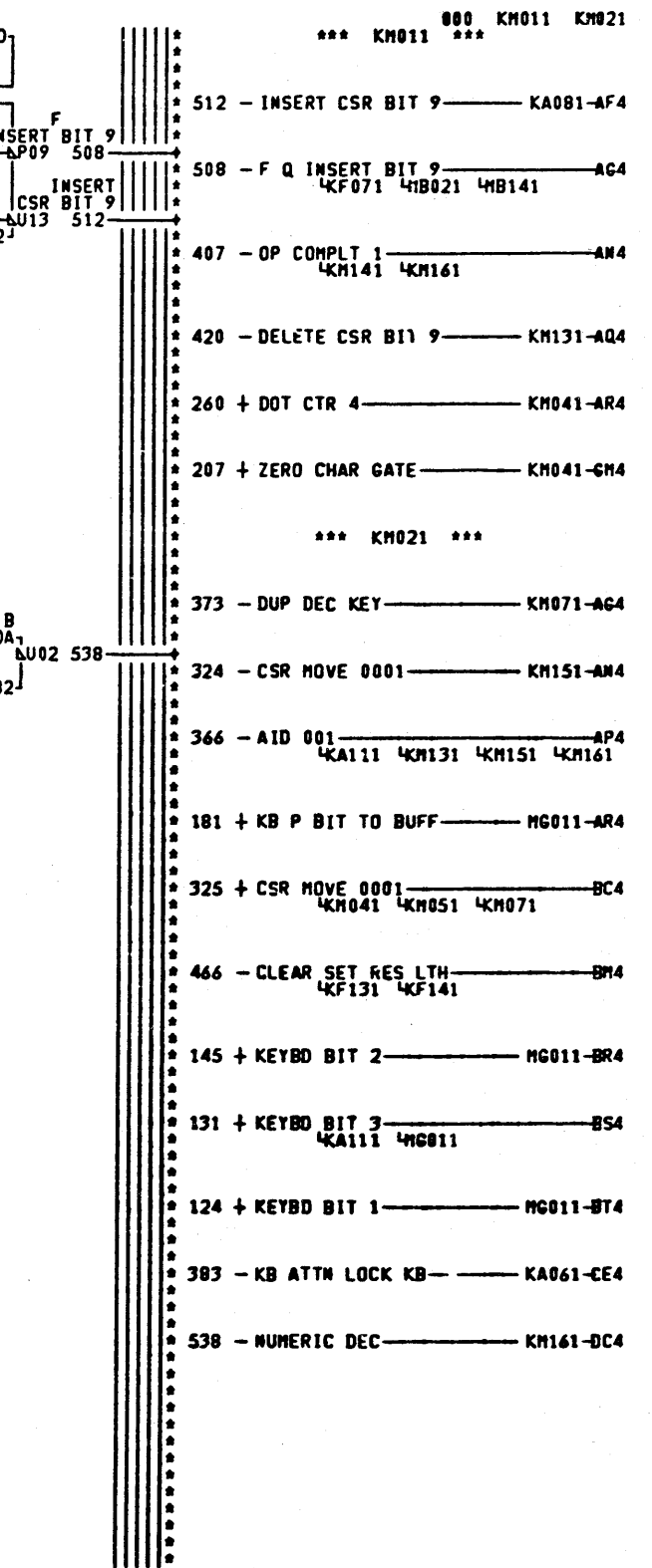
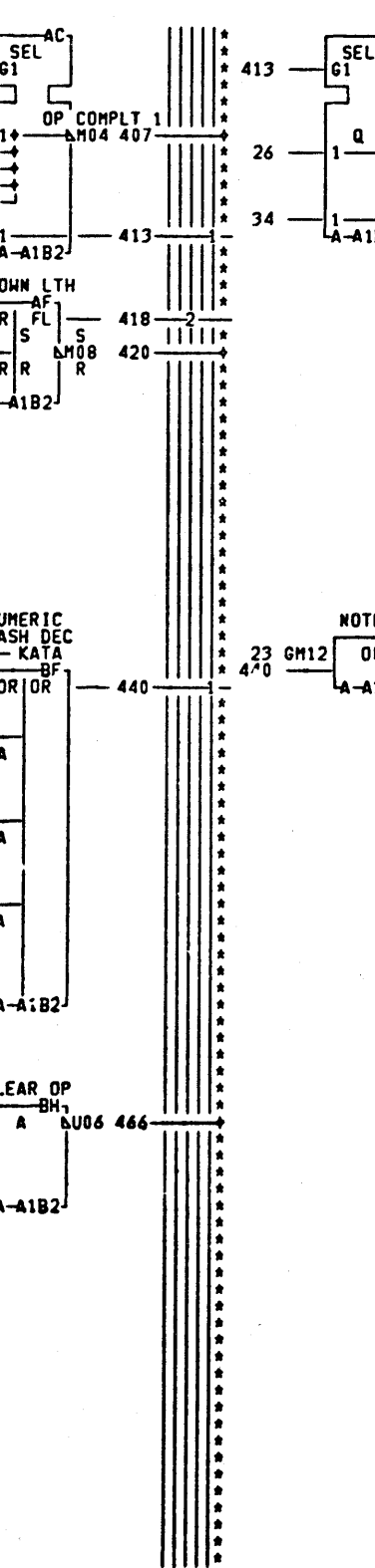
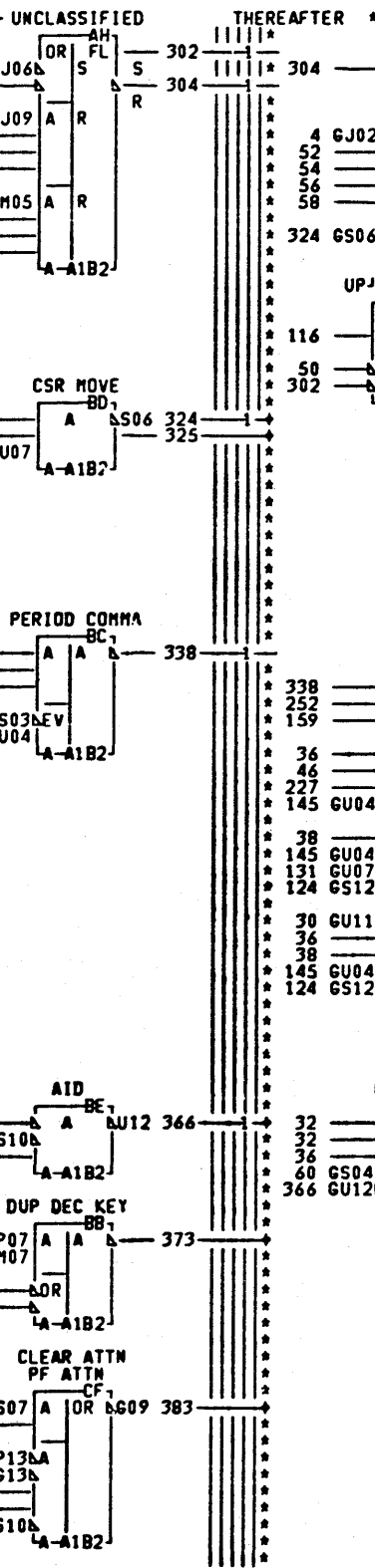
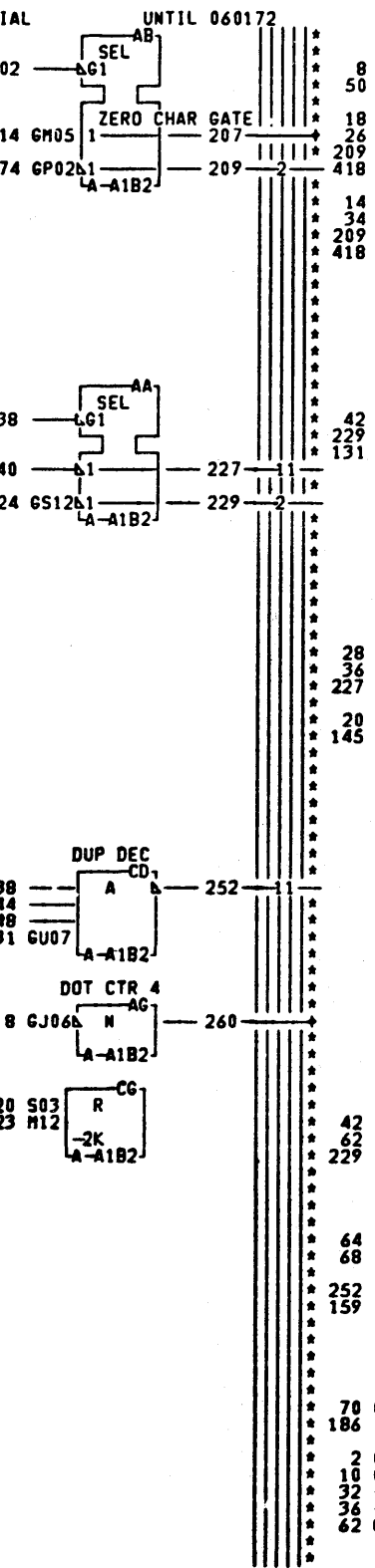
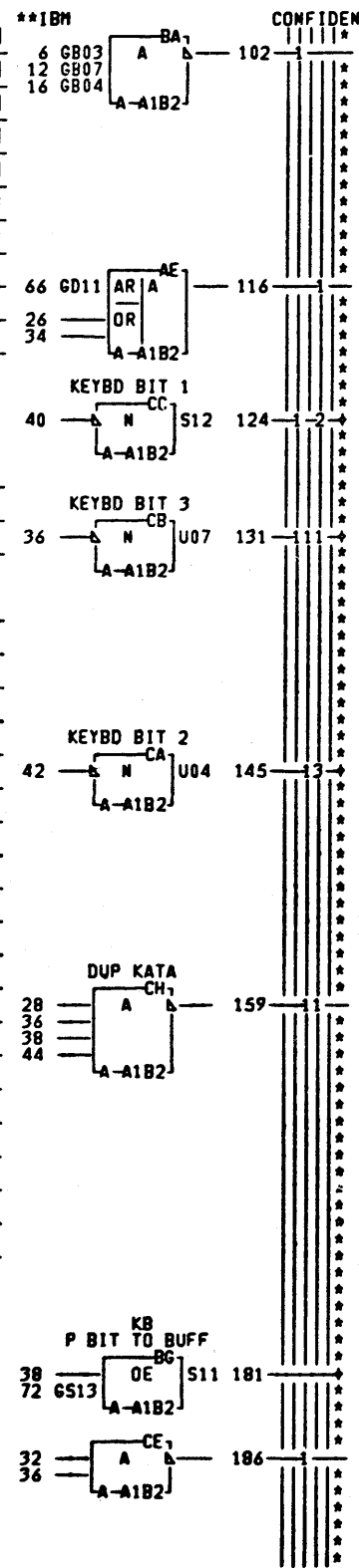
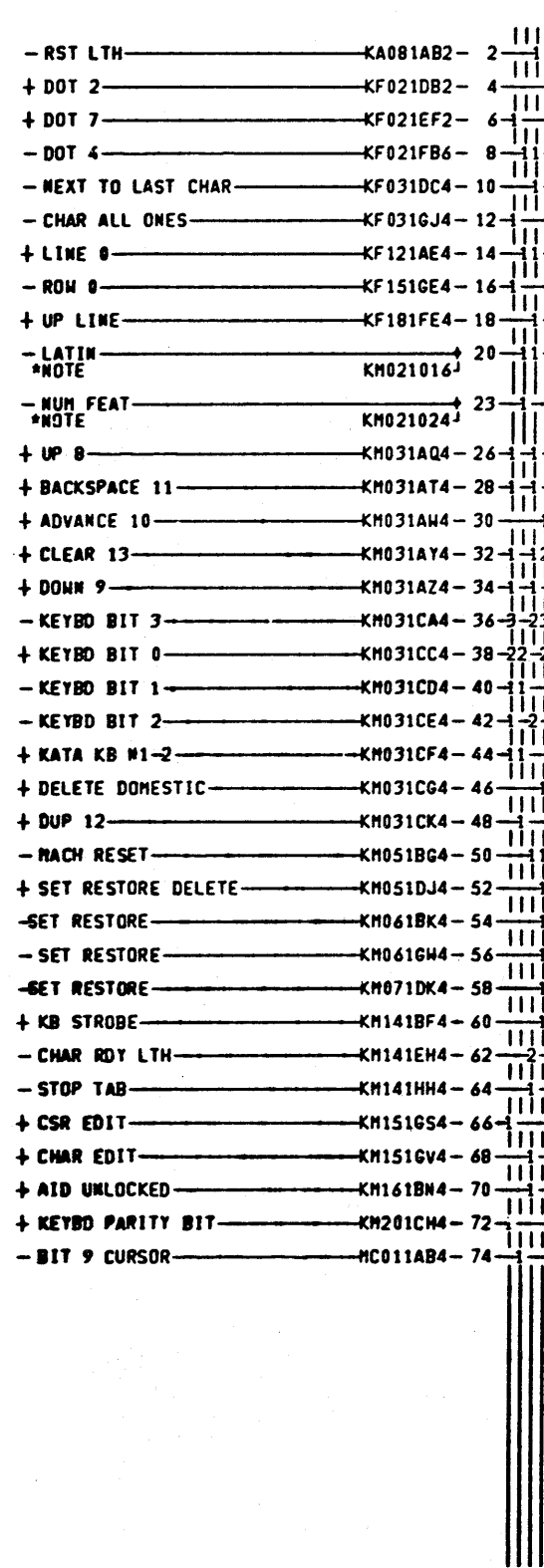
001 SIM TO PN 1563755 EC 717946

KA031EN4	01A-A1H6E04	AB5 A-A1H6A02
01A-A1K6A04	KF171GH4	AB6 A-A1J6B02
KA111BL2	01A-A1J6B04	01A-A1H6C02
01A-A1H6B02	MC091FA4	AH4 A-A1K6B02
KF061EL6	01A-A1H6C04	
01A-A1J6E02	AB1 A-A1J6E04	
KF141GC4	AB2 A-A1J6C04	
01A-A1J6D04	AB3 A-A1K6B04	
KF171GF4	AB4 A-A1J6A04	

LOC. TYPE

CONNECTOR PAGE	
-E.C.-HISTORY-	C MACH.3277
717473	FRAME 01
716959	IBM CORP. SDD
717492	P.N. 1823146
DATE	LAST EC
08-05-72	717946

K  
F  
2  
0  
1



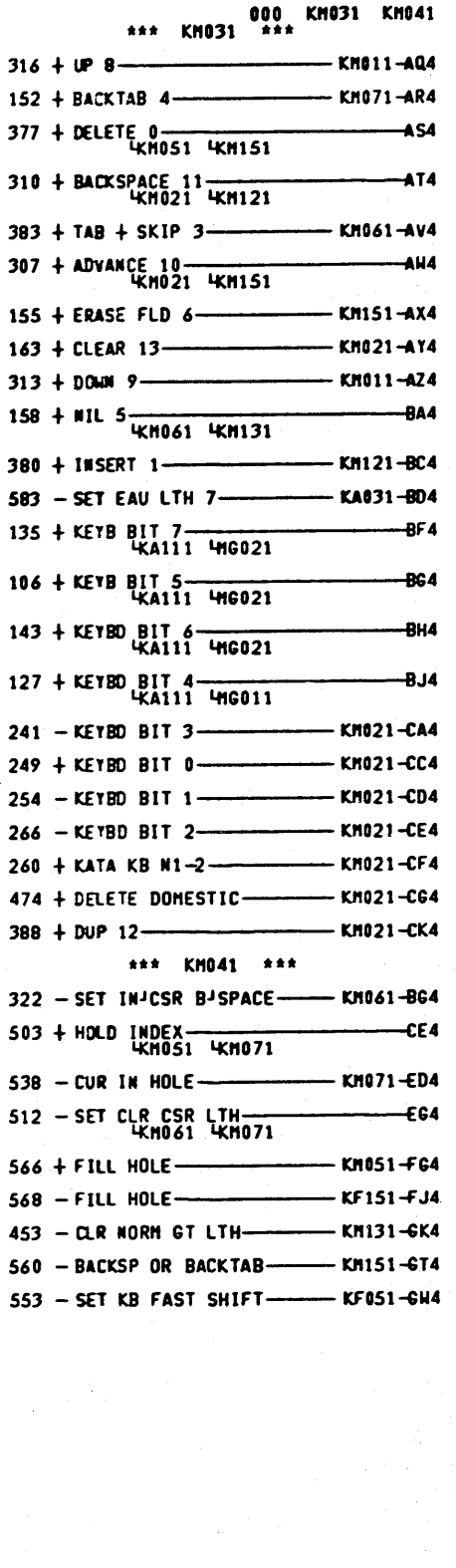
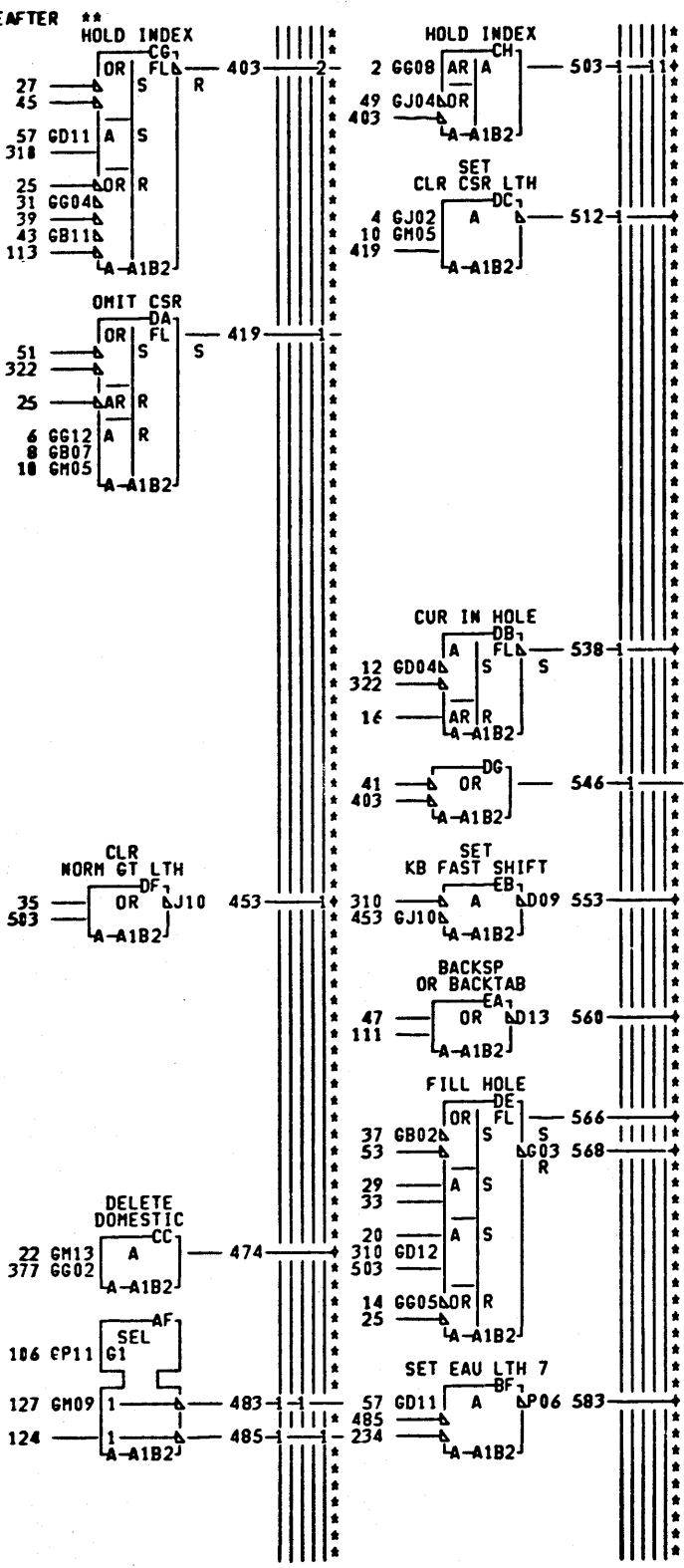
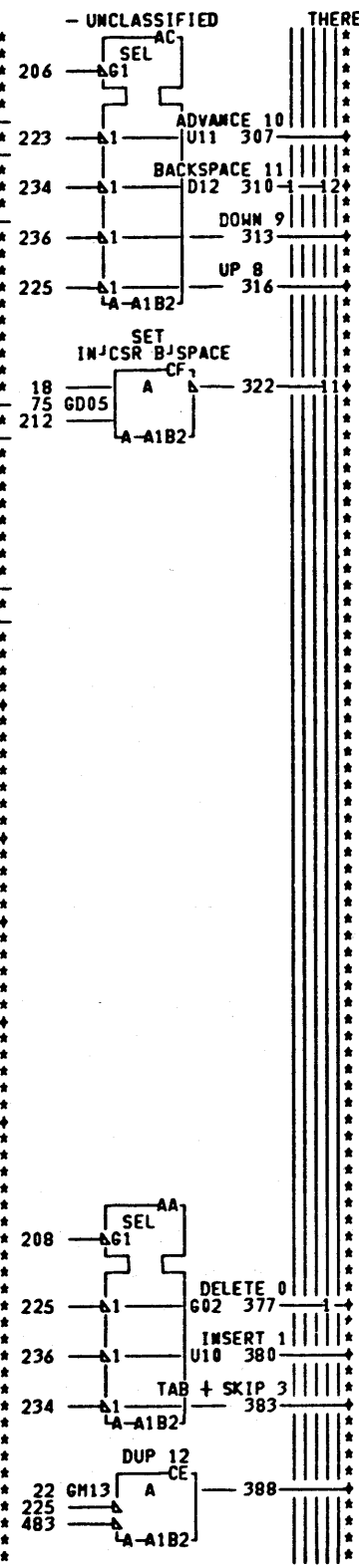
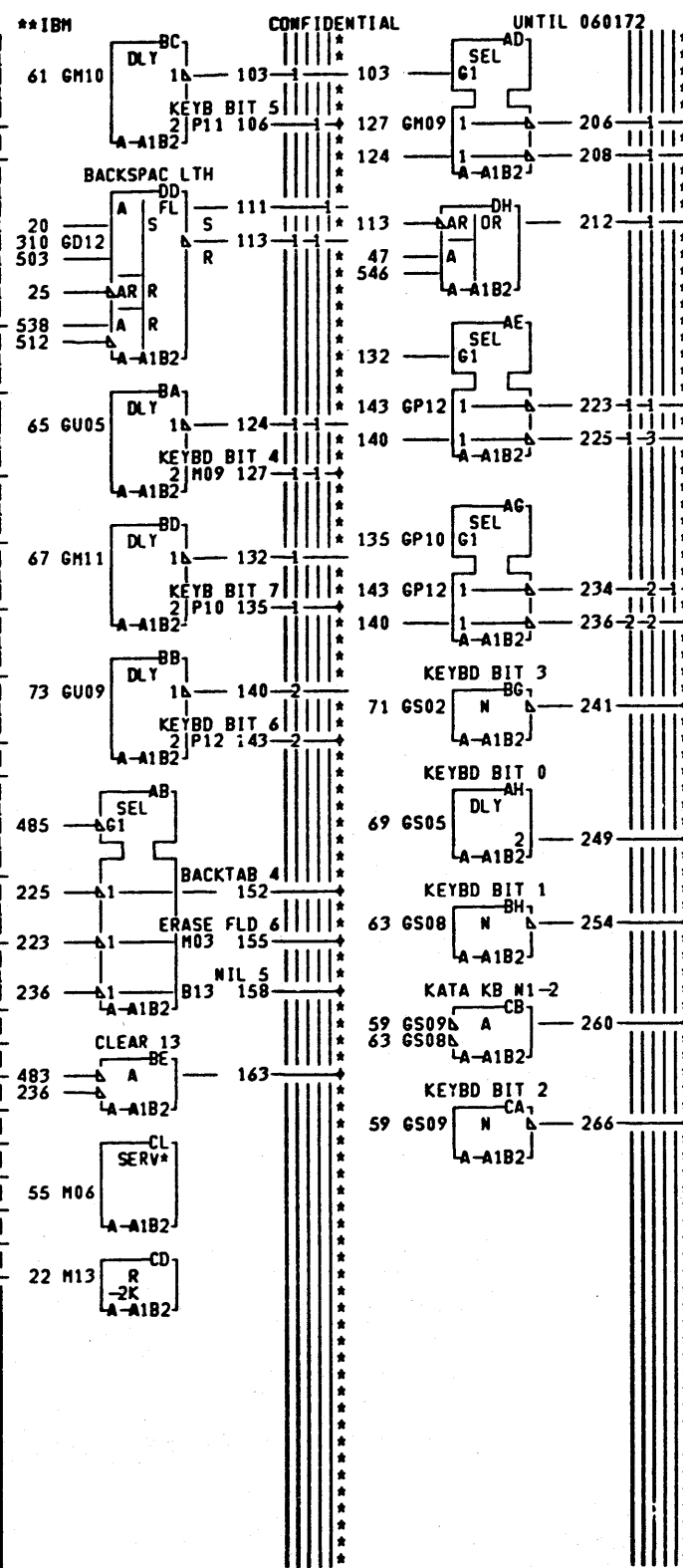
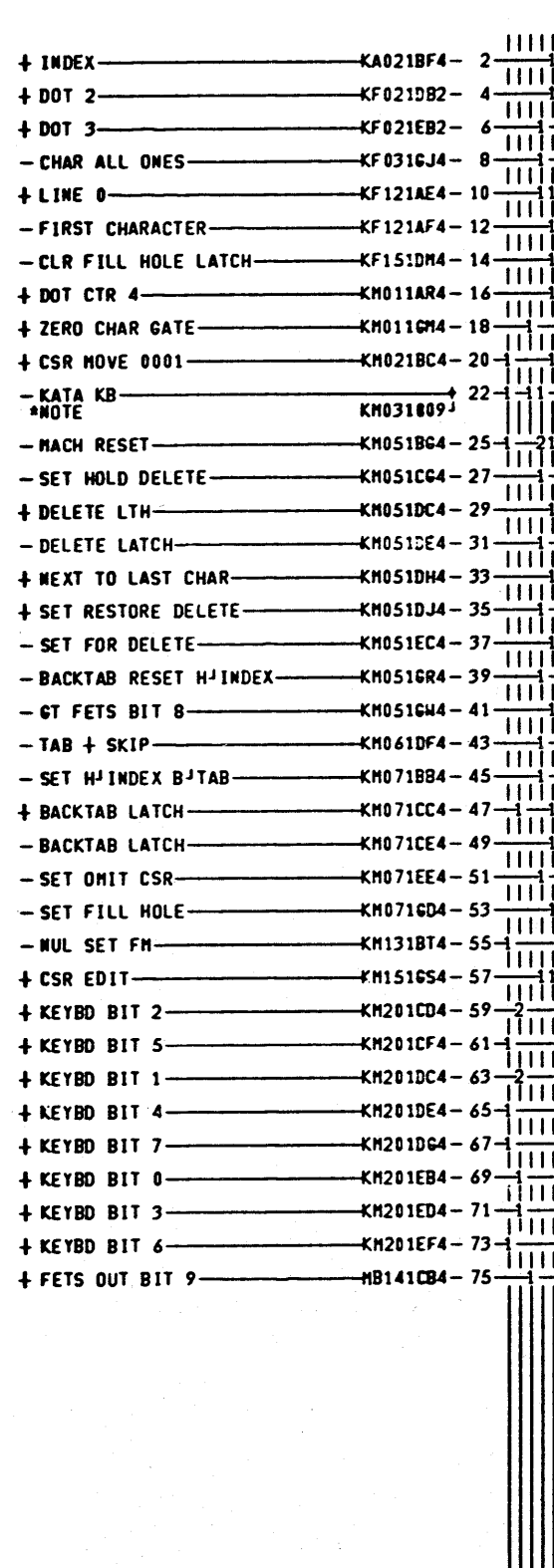
B-NOTE - SEE REFERENCE PAGE 22181 FOR KEYBOARD FEATURE JUMPERS

LOC. TYPE A-A1B2 9069

PAGE VER EC LEV KM011 000 717946 KM021 000 717946

KEYBOARD CONTROLS #1			
E.C. HISTORY	CMCH.3277		
717473		RAHE 01	KM011
716959			
717492		IBN CORP.KN	KM021
DATE	LAST EC	P.N. 1823152	000
08-05-72	717946		

KM011  
KM021  
000



A. NOTE SEE REFERENCE PAGE Z2101 FOR KEYBOARD FEATURE JUMPERS

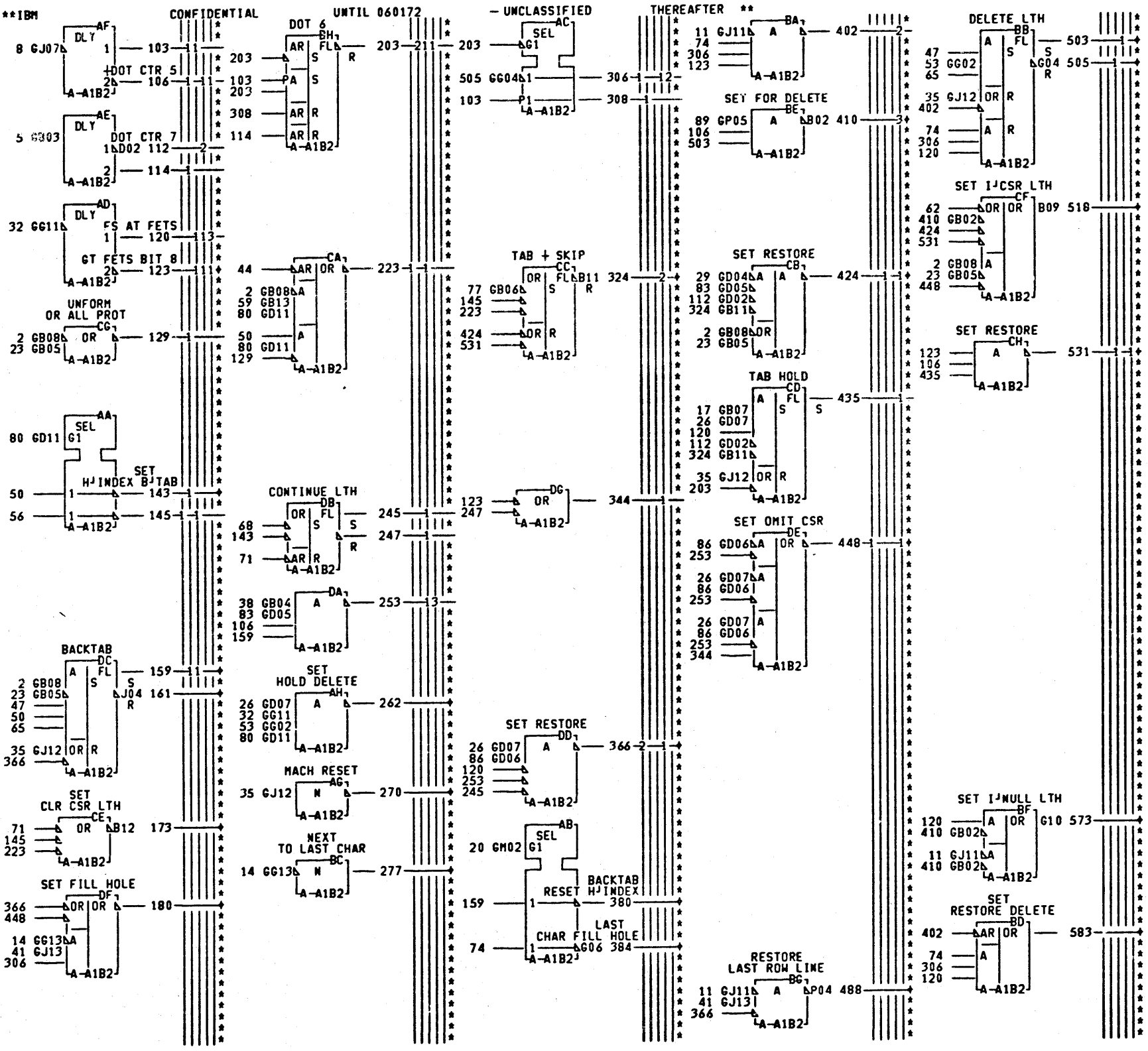
LOC. TYPE A-A1B2 9069

PAGE VER EC LEV  
 KM031 000 717946  
 KM041 000 717946

KEYBOARD CONTROLS J1			
E.C. HISTORY	C	MACH. 3277	
717473			
717492		FRAME 01	KM031
DATE	LAST EC	IBM CORP. KW	KM041
08-05-72	717946	P.N. 1823756	000

KM031  
 KM041  
 000

- PROTECTED BFR — KA071EJ4 — 2-21-1  
 + DOT 7 — KF021EF2 — 5-1-1  
 + DOT 5 — KF021GB2 — 8-1-1  
 - CHAR 0 — KF031CA4 — 11-1-1  
 - NEXT TO LAST CHAR — KF031DC4 — 14-1-1  
 - CHAR ALL ONES — KF031GJ4 — 17-1-1  
 + LAST CHAR OUTPUT — KF031GM4 — 20-1-1  
 + UNFORMATTED DISP LTH — KF051BM4 — 23-1-1  
 + UNPROTECTED CHAR — KF071GG4 — 26-1-1  
 - FIRST CHARACTER — KF121AF4 — 29-1-1  
 - COND FETS BIT 8 — KF131AD4 — 32-1-1  
 + RESET — KF131DK4 — 35-1-1  
 - ROW 0 — KF151GE4 — 38-1-1  
 + LAST ROW — KF151GG4 — 41-1-1  
 - DUP DEC KEY — KM021AG4 — 44-1-1  
 + CSR MOVE 0001 — KM021BC4 — 47-1-1  
 + BACKTAB 4 — KM031AR4 — 50-1-1  
 + DELETE 0 — KM031AS4 — 53-1-1  
 + TAB + SKIP 3 — KM031AV4 — 56-1-1  
 + MIL 5 — KM031BA4 — 59-1-1  
 - SET IN CSR BSPACE — KM041BG4 — 62-1-1  
 + HOLD INDEX — KM041CE4 — 65-1-1  
 - CUR IN HOLE — KM041ED4 — 68-1-1  
 - SET CLR CSR LTH — KM041EG4 — 71-1-1  
 + FILL HOLE — KM041FG4 — 74-1-1  
 - SET TAB NUM SKIP — KM111HE4 — 77-1-1  
 + CSR EDIT — KM151GS4 — 80-1-1  
 + FETS OUT BIT 9 — MB141CB4 — 83-1-1  
 + LATE REG BIT 8 — MG061CF2 — 86-1-1  
 + LATE REG BIT 9 — MG061CH2 — 89-1-1



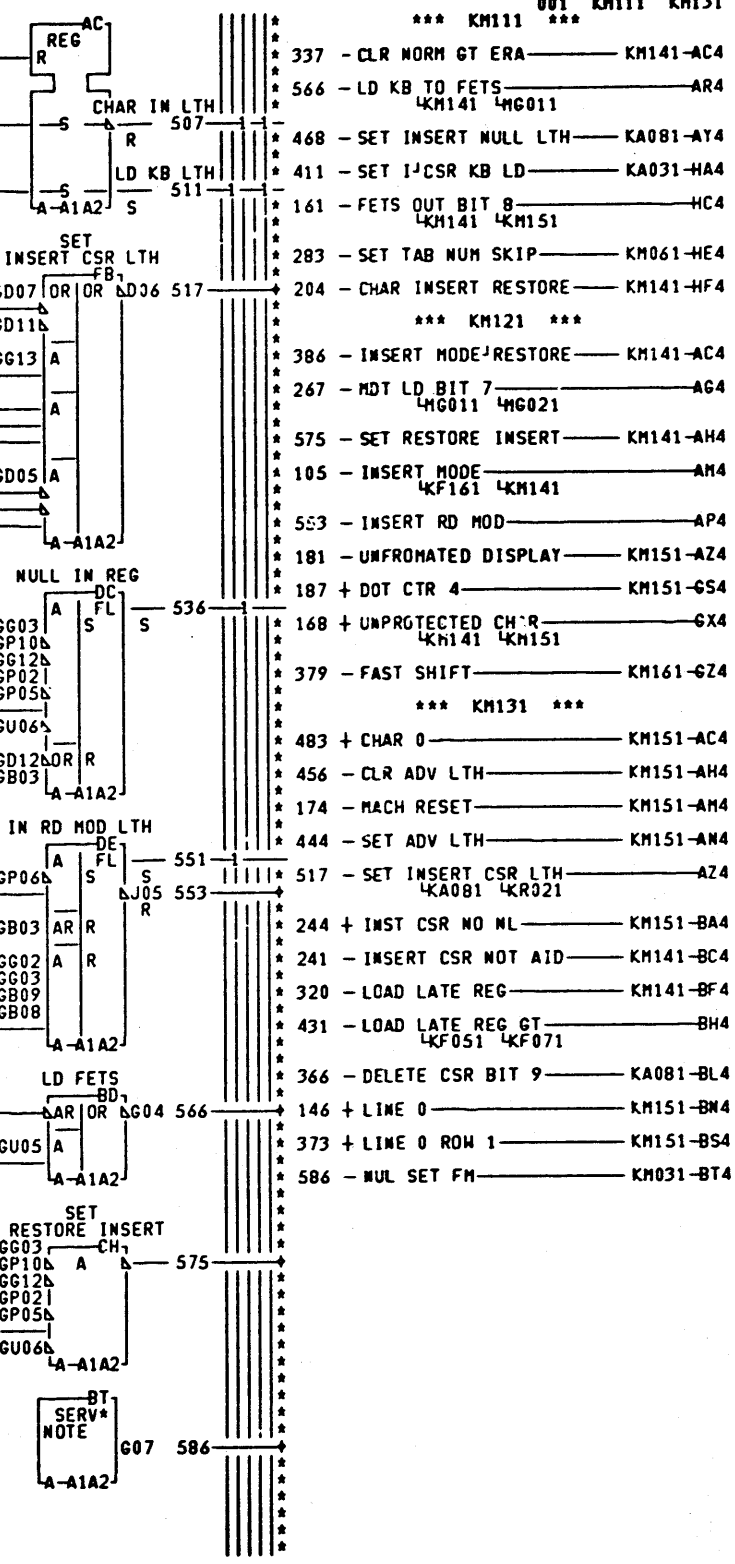
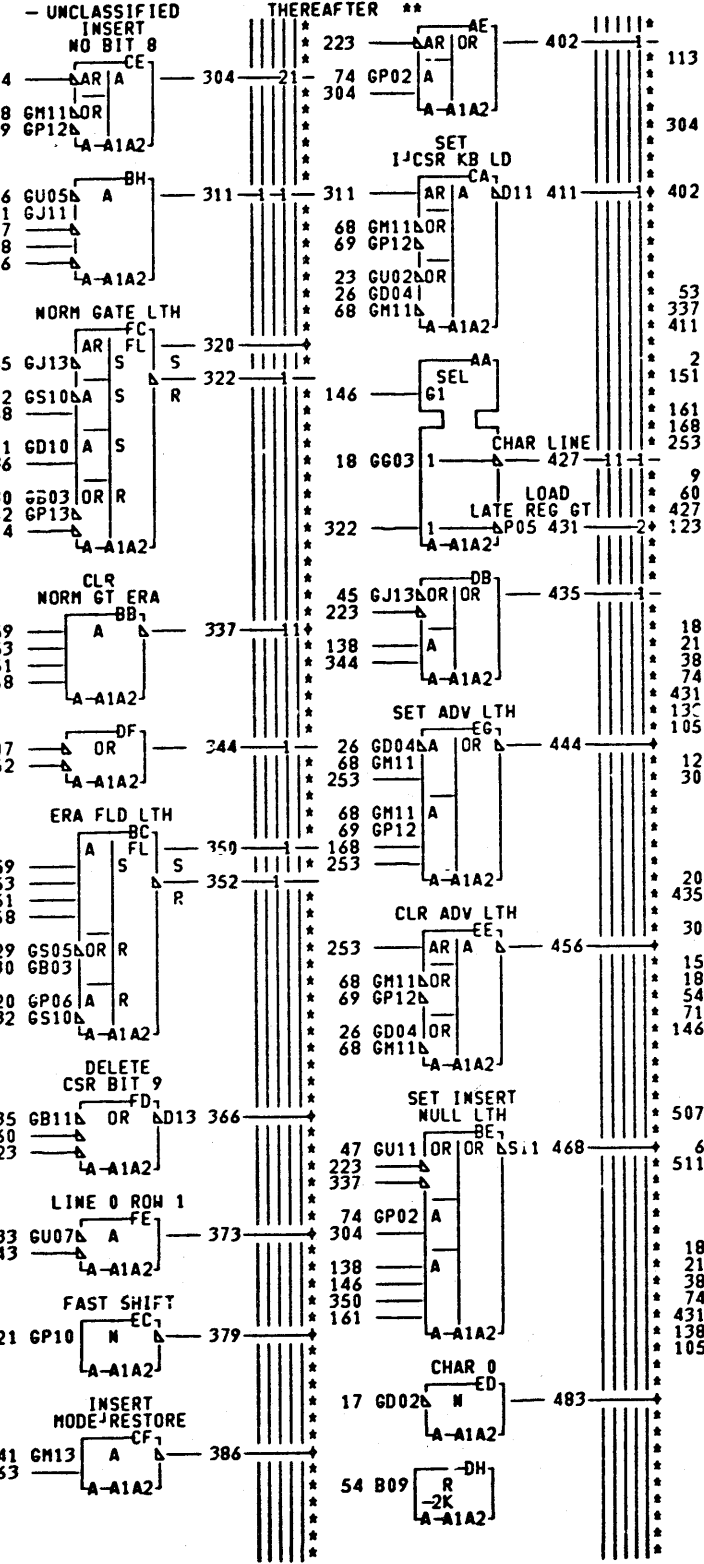
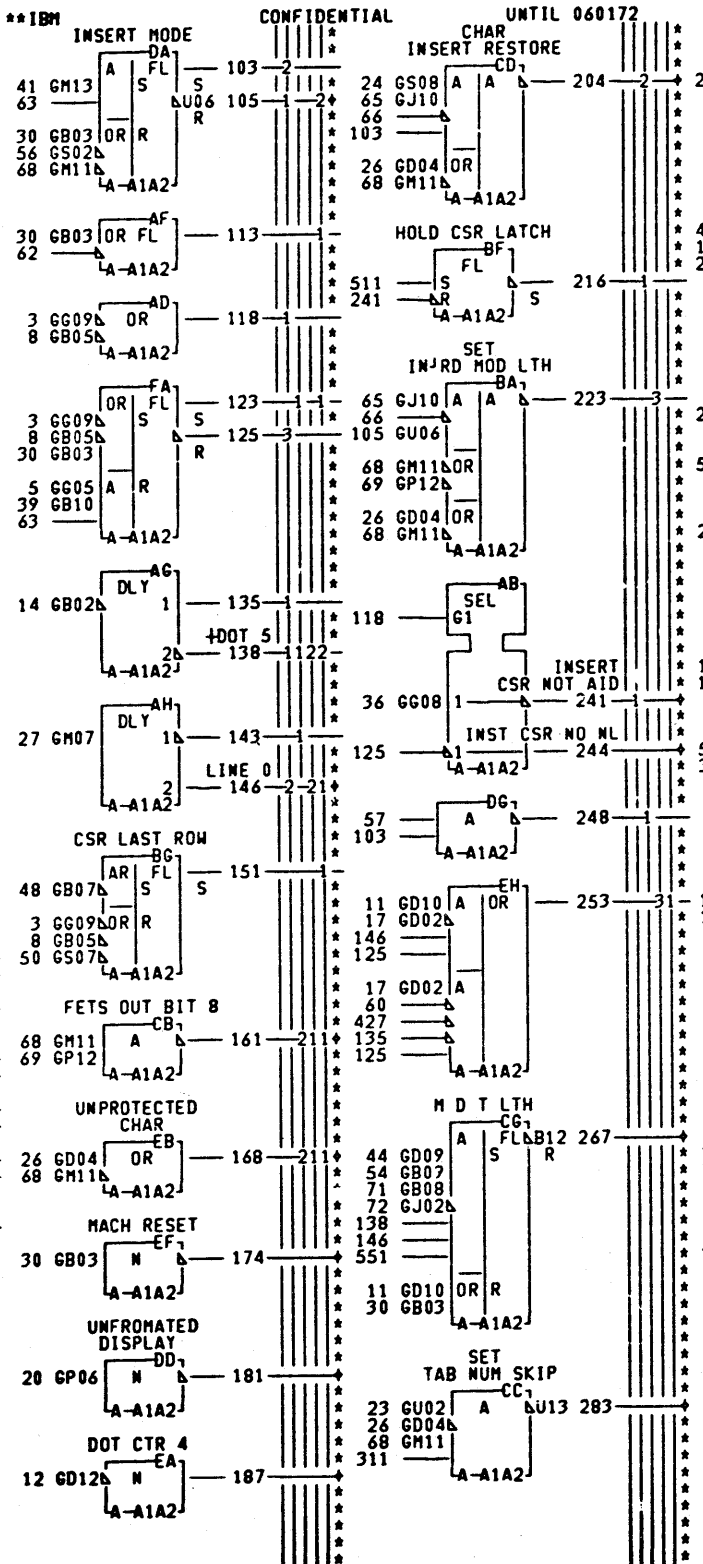
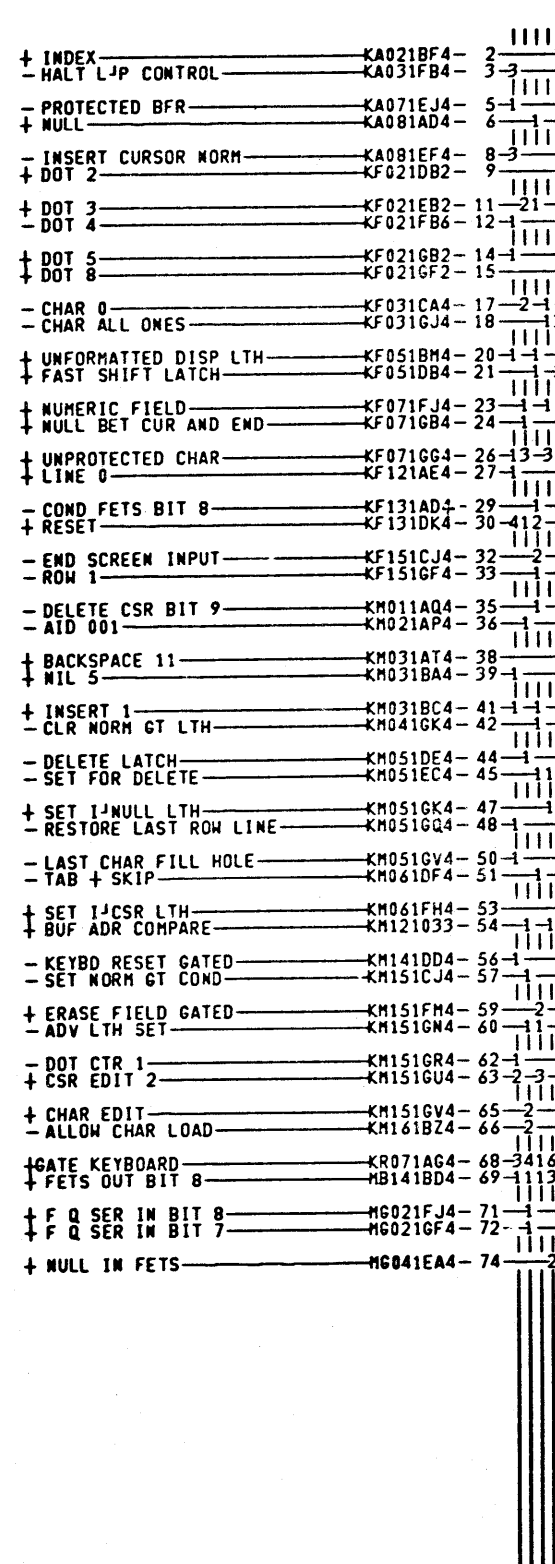
\*\*\* KM051 \*\*\*  
 270 - MACH RESET — KM011 KM041 — BG4  
 262 - SET HOLD DELETE — KM041-CC4  
 503 + DELETE LTH — KM041-DC4  
 505 - DELETE LATCH — KM041 — DE4  
 277 + NEXT TO LAST CHAR — KM041-DH4  
 583 + SET RESTORE DELETE — KM011 KM041 — DJ4  
 410 - SET FOR DELETE — KM041 KM121 KM131 — EC4  
 573 + SET I'NULL LTH — KM111-GK4  
 488 - RESTORE LAST ROW LINE — KM111-GQ4  
 380 - BACKTAB RESET W'INDEX — KM041-GR4  
 384 - LAST CHAR FILL HOLE — KM111-GV4  
 123 - GT FETS BIT 8 — KM041-GW4  
 \*\*\* KM061 \*\*\*  
 424 - SET RESTORE — KM011-BK4  
 324 - TAB + SKIP — KA081 KM041 KM111 — DF4  
 173 - SET CLR CSR LTH — KA081-FE4  
 518 + SET I'CSR LTH — KM131-FH4  
 531 - SET RESTORE — KM011-GW4  
 \*\*\* KM071 \*\*\*  
 143 - SET H'INDEX B'TAB — KM041-BB4  
 159 + BACKTAB LATCH — KM041-CC4  
 161 - BACKTAB LATCH — KA051 KF021 KM041 — CE4  
 366 - SET RESTORE — KM011-DK4  
 448 - SET OMIT CSR — KM041-EE4  
 180 - SET FILL HOLE — KM041-GD4

LOC. TYPE A-1B2 9069

PAGE VER-EC LEV  
 KM051 000 717946  
 KM061 000 717946  
 KM071 000 717946

KEYBOARD CONTROLS J1			
-E.C.-HISTORY	C-MACH.3277		
717473		FRAME 01	KM051
716959			
717492		IBM CORP. KM	KM071
DATE LAST EC		P.N. 1823758	000
88-05-72	717946		

KM051  
 KM071  
 000



- \*\*\* KM111 \*\*\*
- 001 KM111 KM131
- 337 - CLR NORM GT ERA KM141-AC4
- 566 - LD KB TO FETS KM141-MG011 AR4
- 468 - SET INSERT NULL LTH KA081-AY4
- 411 - SET IJCSR KB LD KA031-HA4
- 161 - FETS OUT BIT 8 KM141-KM151 HC4
- 283 - SET TAB NUM SKIP KM061-HE4
- 204 - CHAR INSERT RESTORE KM141-HF4
- \*\*\* KM121 \*\*\*
- 386 - INSERT MODE RESTORE KM141-AC4
- 267 - MDT LD BIT 7 KM011-MG021 AG4
- 575 - SET RESTORE INSERT KM141-AH4
- 105 - INSERT MODE KM161-KM141 AH4
- 553 - INSERT RD MOD AP4
- 181 - UNFORMATTED DISPLAY KM151-AZ4
- 187 + DOT CTR 4 KM151-GS4
- 168 + UNPROTECTED CHAR KM141-KM151 GX4
- 379 - FAST SHIFT KM161-GZ4
- \*\*\* KM131 \*\*\*
- 483 + CHAR 0 KM151-AC4
- 456 - CLR ADV LTH KM151-AH4
- 174 - MACH RESET KM151-AH4
- 444 - SET ADV LTH KM151-AH4
- 517 - SET INSERT CSR LTH KM081-KR021 AZ4
- 244 + INST CSR NO NL KM151-BA4
- 241 - INSERT CSR NOT AID KM141-BC4
- 320 - LOAD LATE REG KM141-BF4
- 431 - LOAD LATE REG GT KM141-BH4
- 366 - DELETE CSR BIT 9 KA081-BL4
- 146 + LINE 0 KM151-BM4
- 373 + LINE 0 ROW 1 KM151-BS4
- 586 - MUL SET FM KM031-BT4

A.SIM TO PN 1563763 EC 717946  
 B.SIM TO PN 1563764 EC 717946  
 C.NOTE SEE REFERENCE PAGE Z2102  
 IF RPQ AB3953 INSTALLED  
 SIM TO PN 1563765 EC 717946

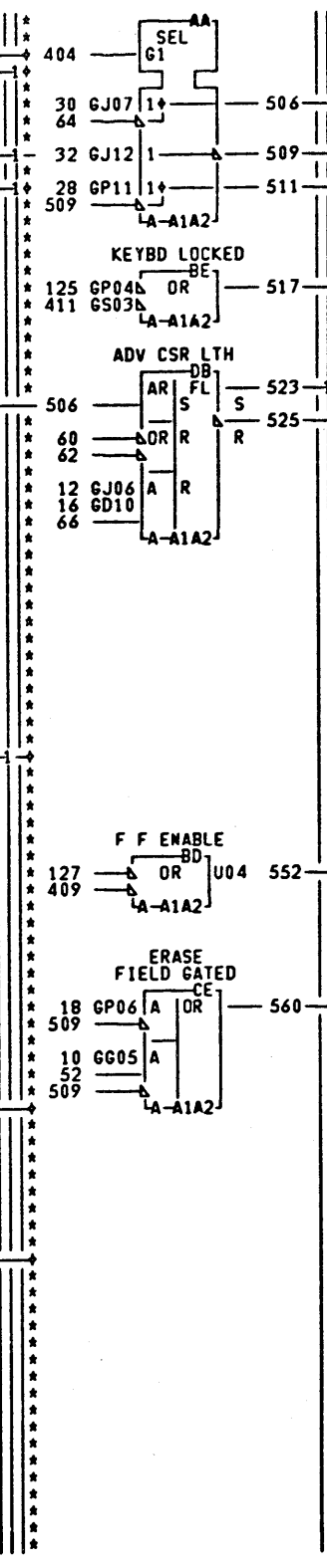
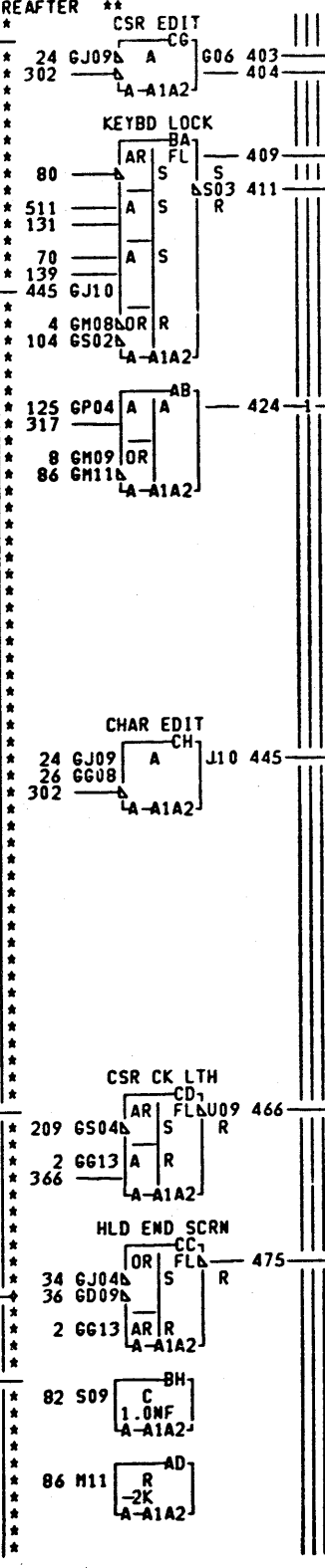
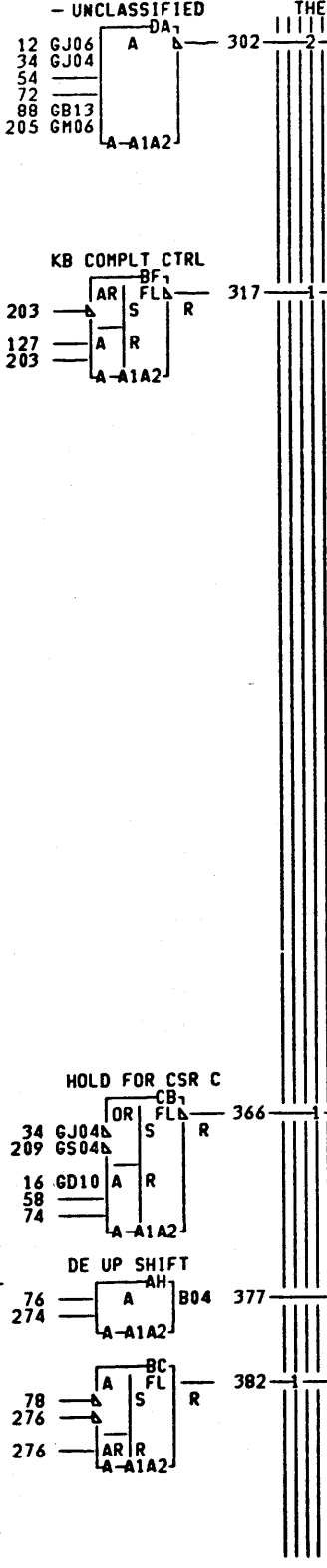
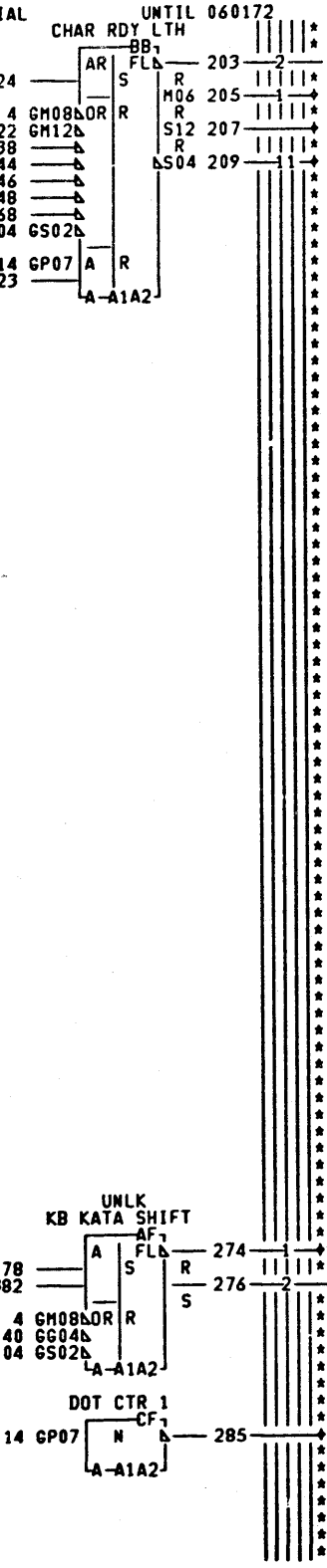
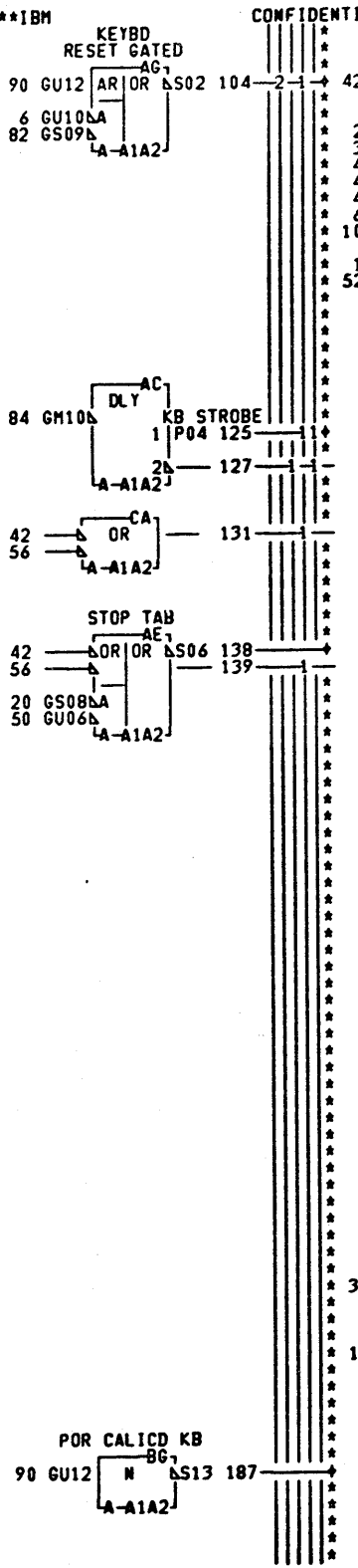
KM111  
 KM131  
 001

LOC. TYPE  
 A-A1A2 9072

PAGE VER EC LEV  
 KM111 001 717946  
 KM121 001 717946  
 KM131 001 717946

KEYBOARD CONTROLS J2		
- E.C. HISTORY	- C.MACH.3277	
717473	FRAME 01	KM111
716959	IBM CORP.KM	KM131
717492		
DATE LAST EC	P.N. 1823761	001
08-05-72 717946		

+ INDEX KA021BF4- 2  
 - I/O UNLOCK KEYBOARD KA031FH4- 4  
 + CU BUSY KA061CK4- 6  
 - OP IN PROCESS KA071EB4- 8  
 - PROTECTED BFR KA071EJ4- 10  
 - RETRACE BLANK KF011BH4- 12  
 + DOT 1 KF021CB2- 14  
 + DOT 3 KF021EB2- 16  
 + UNFORMATTED DISP LTH KF051BH4- 18  
 + NULL BET CUR AND END KF071GB4- 20  
 - OP COMPLT 1 KM011AN4- 22  
 - CSR MOVE 0001 KM021AN4- 24  
 - AID 001 KM021AP4- 26  
 + DELETE 0 KM031AS4- 28  
 + ADVANCE 10 KM031AH4- 30  
 + ERASE FLD 6 KM031AX4- 32  
 - BACKSP OR BACKTAB KM041GT4- 34  
 - DELETE LATCH KM051DE4- 36  
 - CLR NORM GT ERA KM111AC4- 38  
 - LD KB TO FETS KM111AR4- 40  
 - FETS OUT BIT 8 KM111HC4- 42  
 - CHAR INSERT RESTORE KM111HF4- 44  
 - INSERT MODE RESTORE KM121AC4- 46  
 - SET RESTORE INSERT KM121AH4- 48  
 - INSERT MODE KM121AM4- 50  
 - UNFORMATED DISPLAY KM121AZ4- 52  
 + DOT CTR 4 KM121GS4- 54  
 + UNPROTECTED CHAR KM121GX4- 56  
 + CHAR 0 KM131AC4- 58  
 - CLR ADV LTH KM131AH4- 60  
 - MACH RESET KM131AM4- 62  
 - SET ADV LTH KM131AN4- 64  
 + INST CSR NO NL KM131BA4- 66  
 - INSERT CSR NOT AID KM131BC4- 68  
 - LOAD LATE REG KM131BF4- 70  
 + LINE 0 KM131BN4- 72  
 + LINE 0 ROW 1 KM131BS4- 74  
 + DE UP SHIFT KM161BL4- 76  
 + LATIN OR KATA SHIFT KM161BT4- 78  
 - LOCK KB PF OR NUMERIC KM161BV4- 80  
 - KEYBD RESET KM201CM4- 82  
 - KEYBD STROBE KM201EH4- 84  
 + GATE KEYBOARD KR071AG4- 86  
 + FETS OUT BIT 9 MB141CB4- 88  
 + POR MG051EM6- 90



\*\*\* KM141 \*\*\*  
 001 KM141 KM151  
 125 + KB STROBE KM021-BF4  
 274 - UNLK KB KATA SHIFT KM161-CN4  
 104 - KEYBD RESET GATED KA031 KM121  
 411 - KEYBD LOCK KA061 ED4  
 209 - CHAR RDY LTH KA071 KM021 EH4  
 552 + F F ENABLE KM201 KR201 FB4  
 517 + KEYBD LOCKED KM161-FD4  
 205 + CHAR RDY DEC KR201-FF4  
 138 - STOP TAB KM021-HH4  
 187 - POR CALICD KB KM201 KR201 HJ4  
 377 + DE UP SHIFT KM201 KR201 HL4  
 207 + KB TUNE KM201-HT4  
 \*\*\* KM151 \*\*\*  
 475 - SET NORM GT COND KM121-CJ4  
 466 + ALLOW CSR CK KF141-EG4  
 560 + ERASE FIELD GATED KM111-FH4  
 525 - ADV LTH SET KM131-GN4  
 285 - DOT CTR 1 KM111 KM121 GR4  
 403 + CSR EDIT KM011 KM031 KM041 KM051 GS4  
 404 + CSR EDIT 2 KM111 KM121 KM131 GU4  
 445 + CHAR EDIT KM021 KM111 KM161 GV4

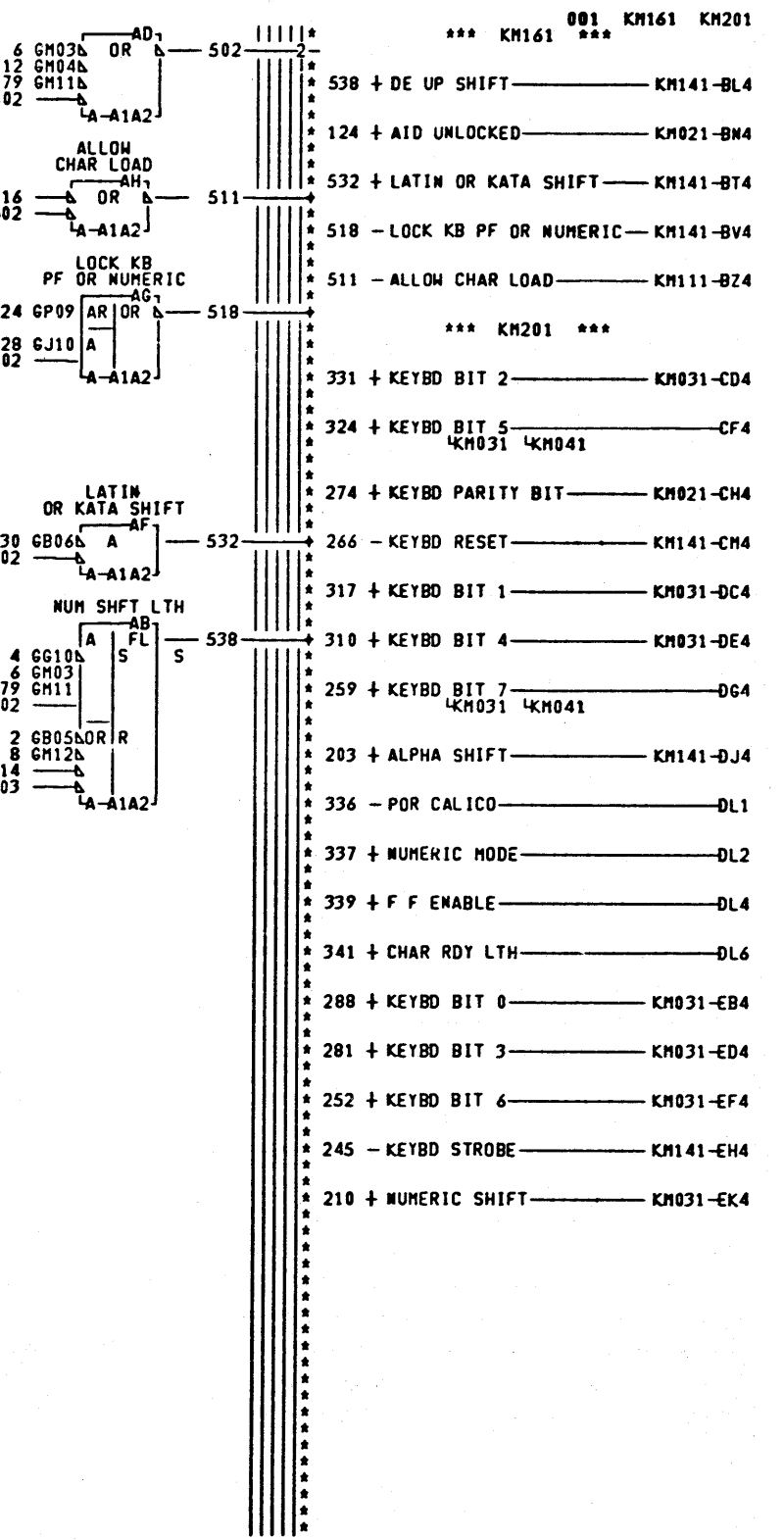
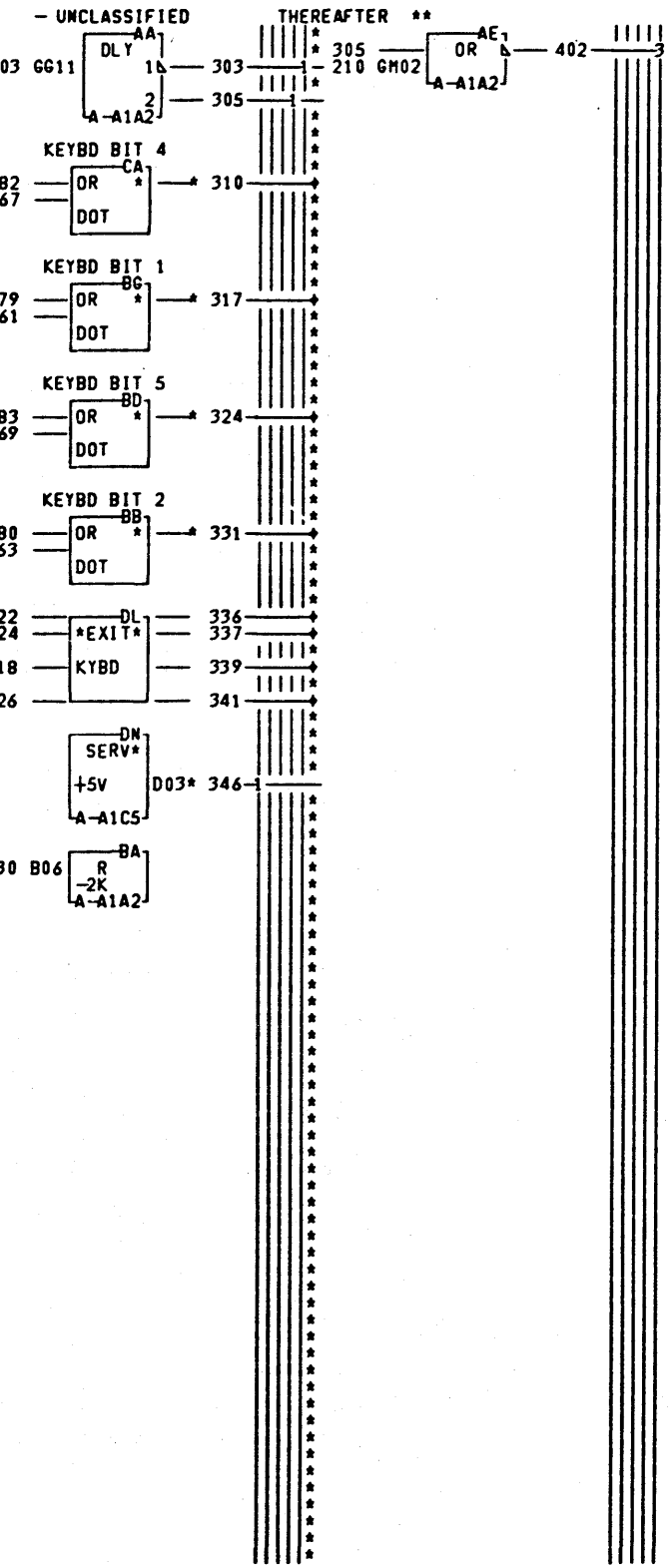
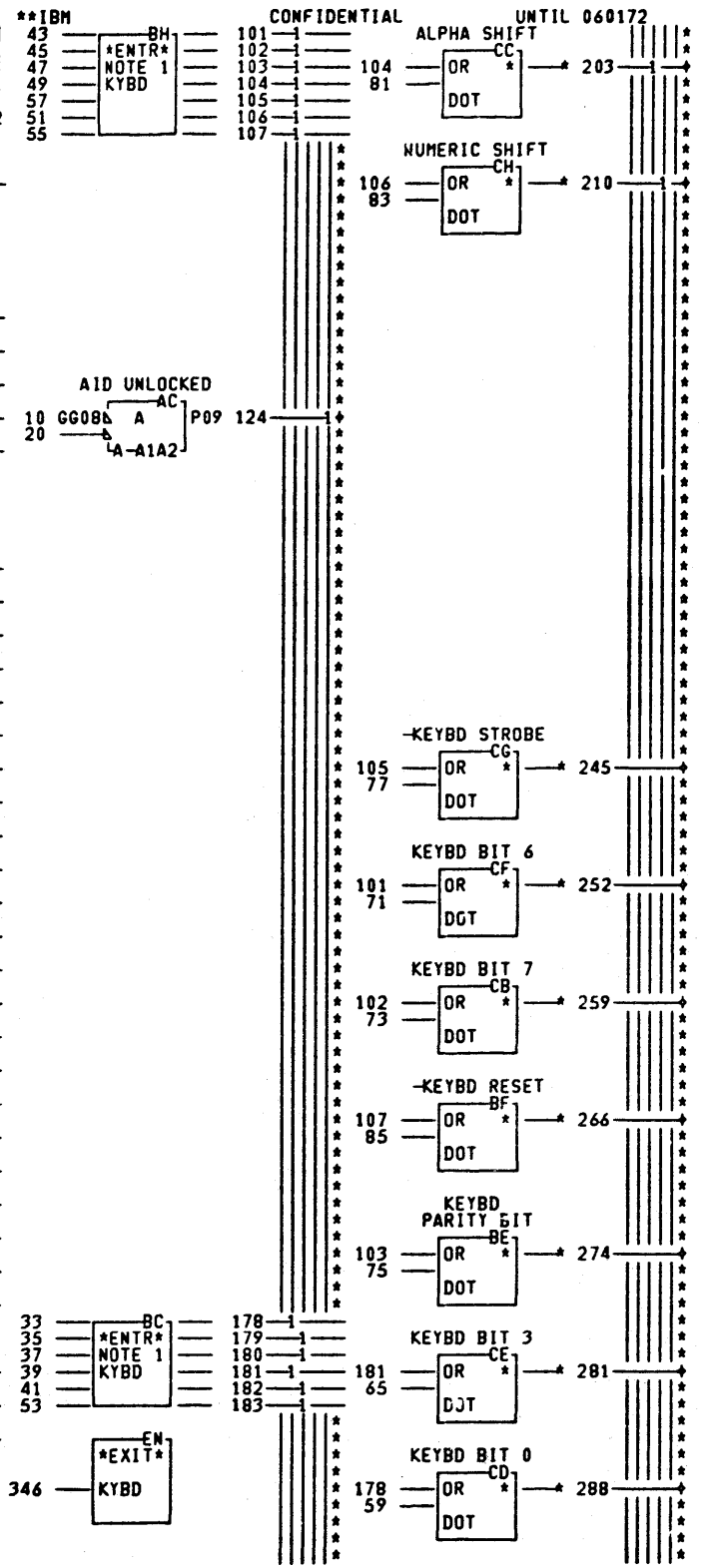
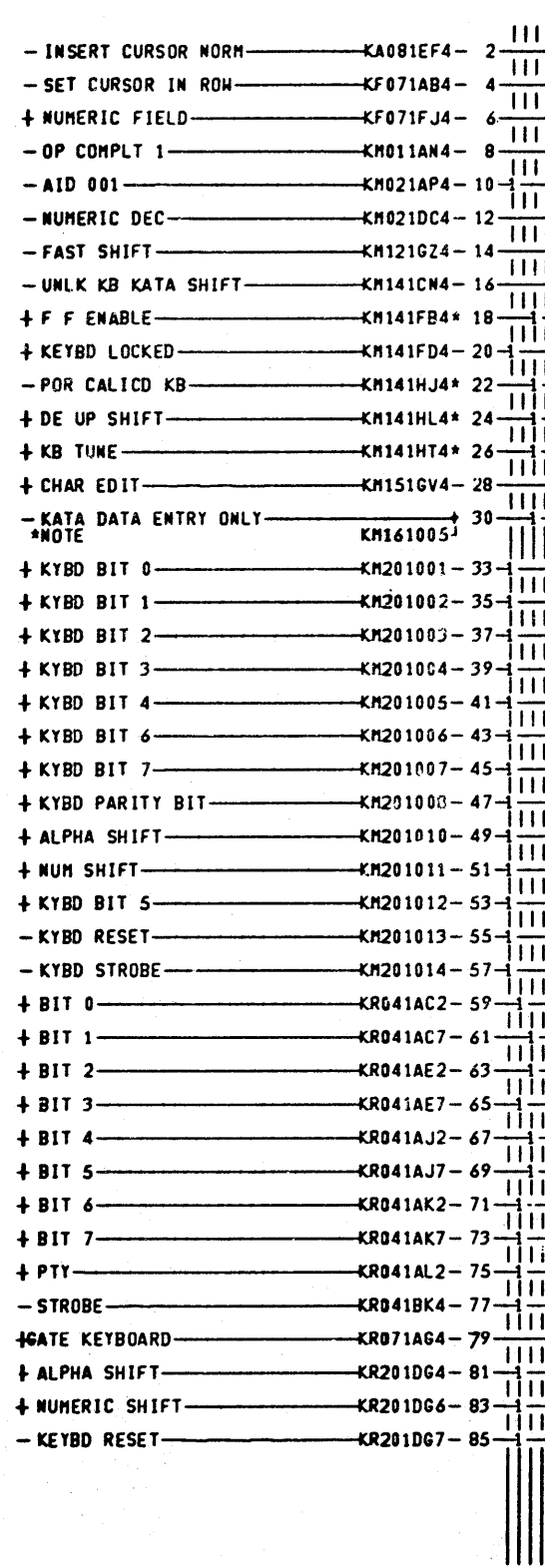
A.NOTE SEE REFERENCE PAGE  
 Z2101 FOR KEYBOARD FEATURE  
 JUMPERS.  
 SIM TO PN 1563766 EC 717946

KM141  
 KM151  
 001

LOC. TYPE  
 A-A1A2 9072

PAGE VER EC LEV  
 KM141 001 717946  
 KM151 000 717946

KEYBOARD CONTROLS J2		LOGIC INTERFACE	
-E-C-HISTORY-C-MACH.3277		FRAME 01 KM141	
717473		716959	
717492		717492	
DATE LAST EC		IBM CORP.KM KM151	
08-05-72 717946		P.N. 1823766 001	



A.SIM TO PM 1563768 EC 717946  
 B.NOTE 1 Z1 SOCKET FOR KYBD  
 W/O CARD READER  
 SIM TO PM 1563769 EC 717946

KM161  
 KM201  
 001

EDGE CONN.

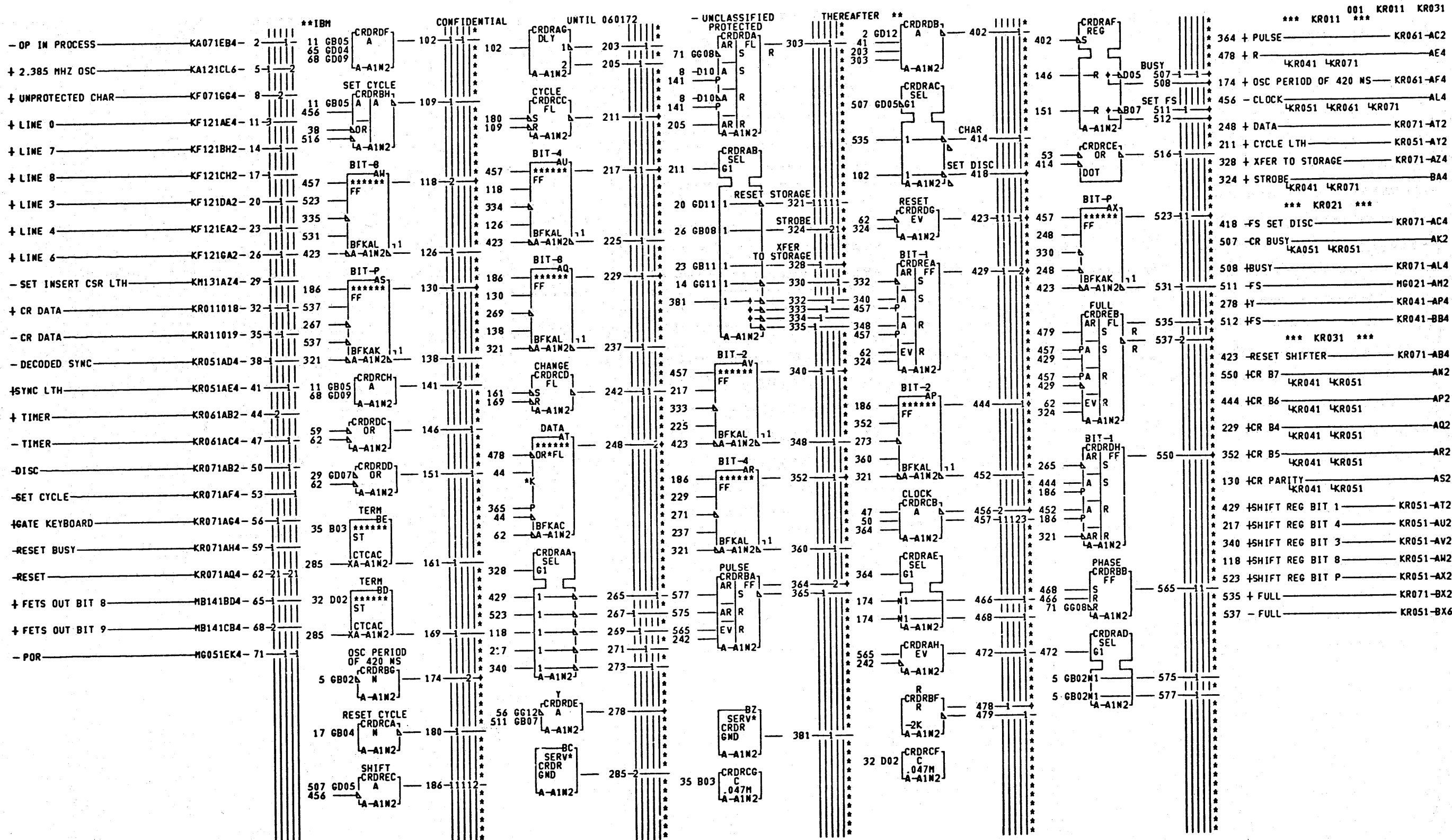
18 A-A1B6C02	252 A-A1B6E04	324 A-A1B6D04
22 A-A1C6A02	259 A-A1C6A04	331 A-A1B6A04
24 A-A1B6A02	266 A-A1C6D04	346 A-A1C6C02
26 A-A1C6E02	01A-A1N6B04	
203 A-A1A6D02	274 A-A1C6B04	
01A-A1L6B02	281 A-A1B6B04	
210 A-A1B6B02	288 A-A1A6D04	
01A-A1L6E02	310 A-A1B6C04	
245 A-A1C6C04	317 A-A1A6E04	

LOC. TYPE  
 A-A1A2 9072

PAGE VER EC LEV  
 KM161 001 717946  
 KM201 001 717946

KEYBOARD CONTROLS J2			
LOGIC INTERFACE			
-E.C.-HISTORY-C1MACH.3277			
717473	FRAME	01	KM161
716959			
717492			
DATE	LAST EC	IBN CORP.KM	KM201
08-05-72	717946	P.N. 1824193	001



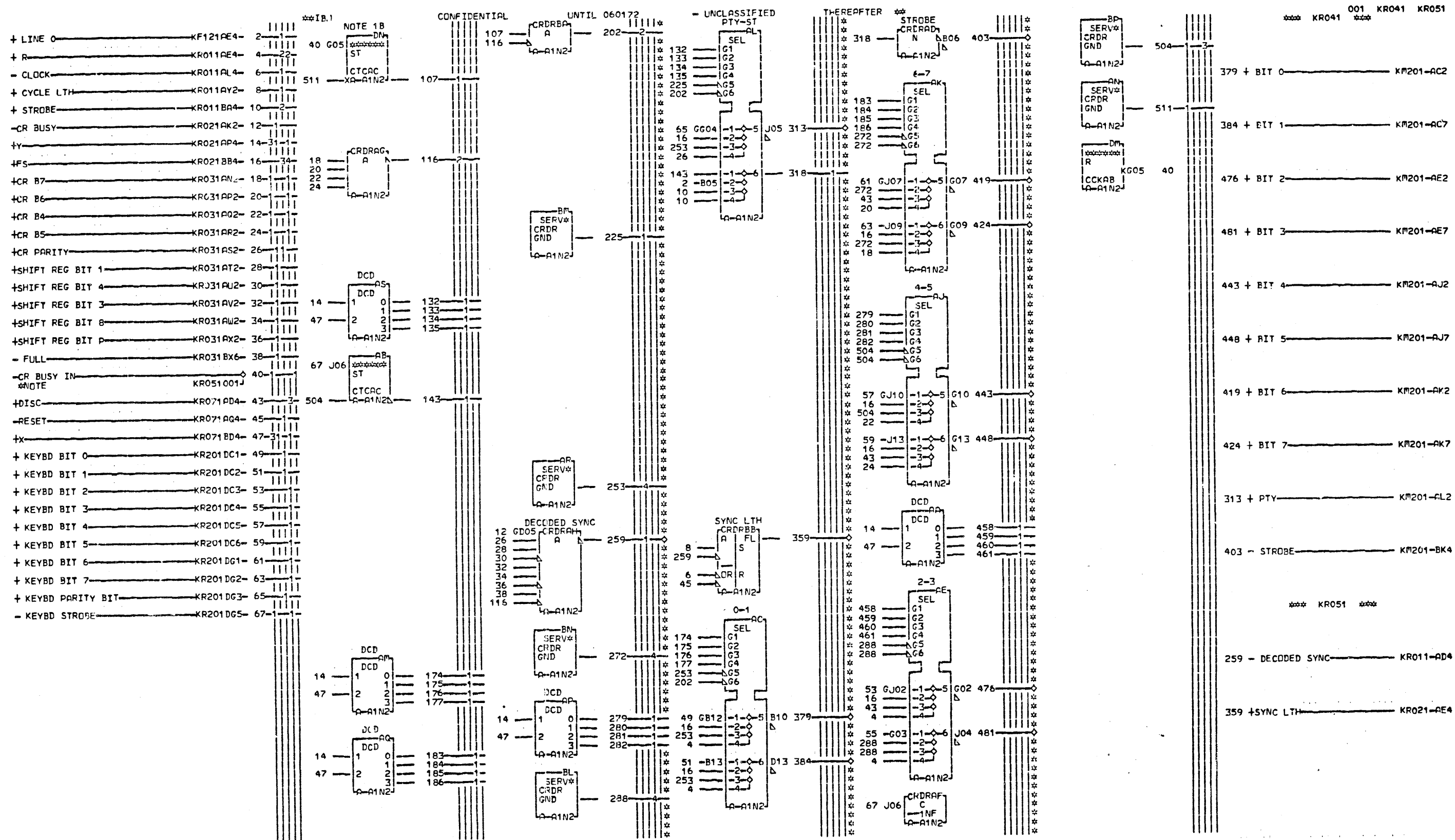


LOC. TYPE  
A-A1N2 2229

PAGE VER EC LEV  
KR011 001 717492  
KR021 001 717946  
KR031 001 717492

CARD READER			
-E.C.-HISTORY-		C-MACH.3277	
717473	FRAME	01	KR011
716959	IBM CORP.SDD		KR031
717492			
DATE	LAST EC		
08-05-72	717946	P.N.	1823769 001

KR011  
KR031  
001



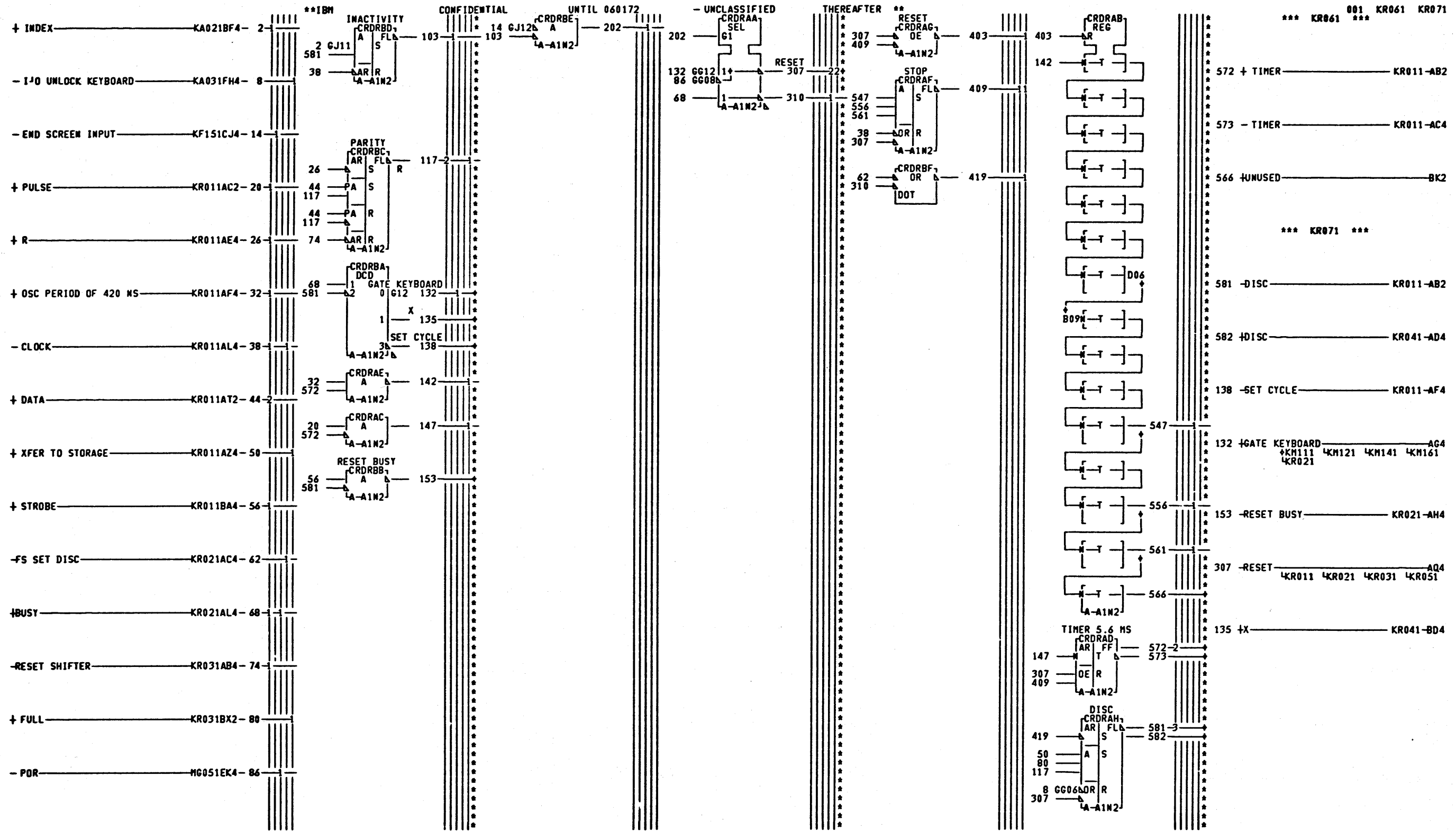
B. NOTE SEE REFERENCE PAGE  
Z2101 FOR CARD READER  
FEATURE JUMPER

LOC. TYPE  
A-A1N2 2229

PAGE VER EC LEV  
KR041 001 717492  
KR051 001 717492

CARD READER			
E.C. HISTORY	MACH. 3277		
717473		FRAME 01	KR041
716959		IBM CORP. SDD	KR051
DATE LAST EC		P.N. 1823770	001
06-01-72	717492		

KR041  
KR051  
001

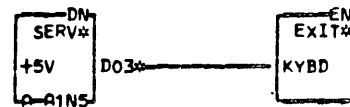
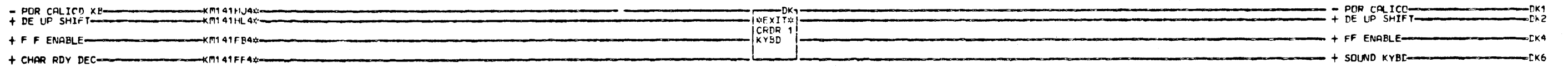
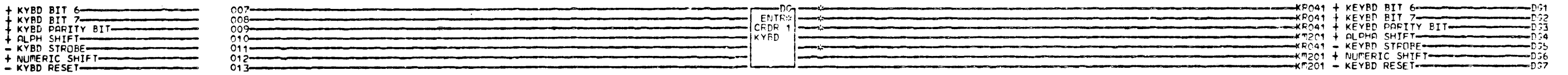
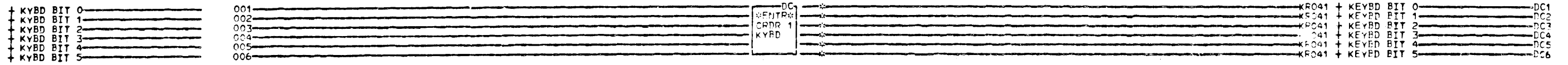


LOC. TYPE  
A-1N2 2229

PAGE VER EC LEV  
KR061 001 717492  
KR071 001 717946

CARD READER			
E.C. HISTORY	C-MACH.3277		
717473			
714959	FRAME 01		KR061
717492			
DATE LAST EC	IBM CORP.		KR071
08-05-72 717946	P.N. 1823771		001

KR061  
KR071  
001



NOTE 1. 24 SOCKET FOR KYBD WITH CARD READER

KR201  
001

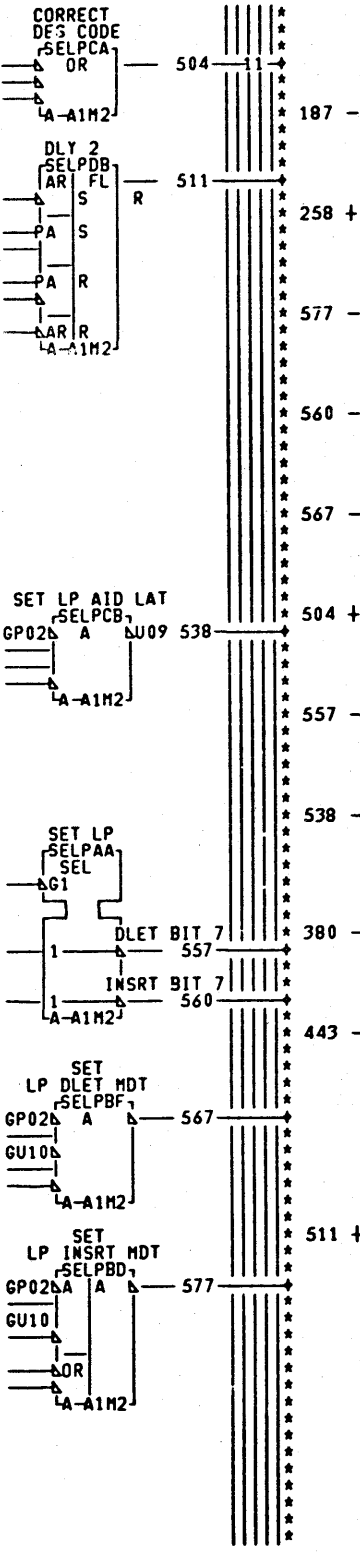
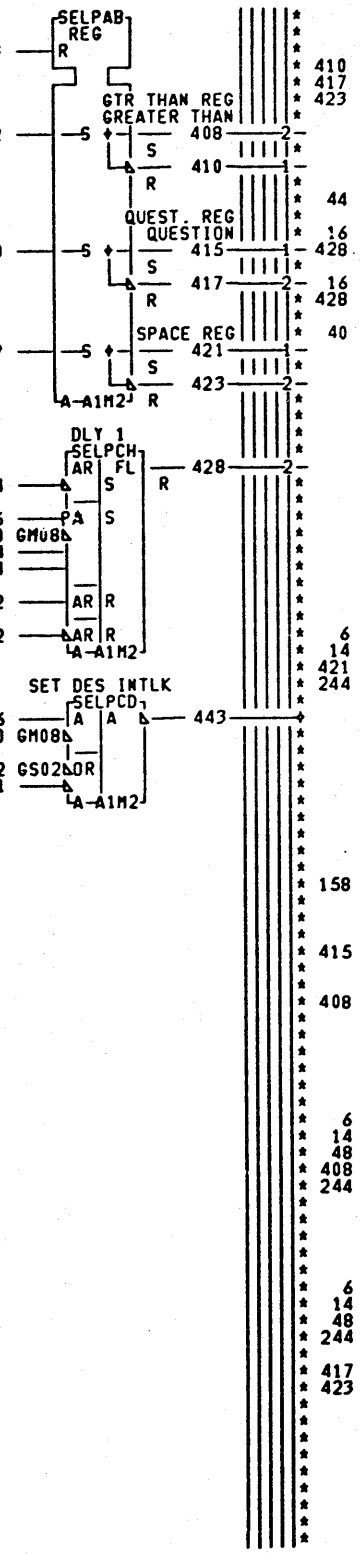
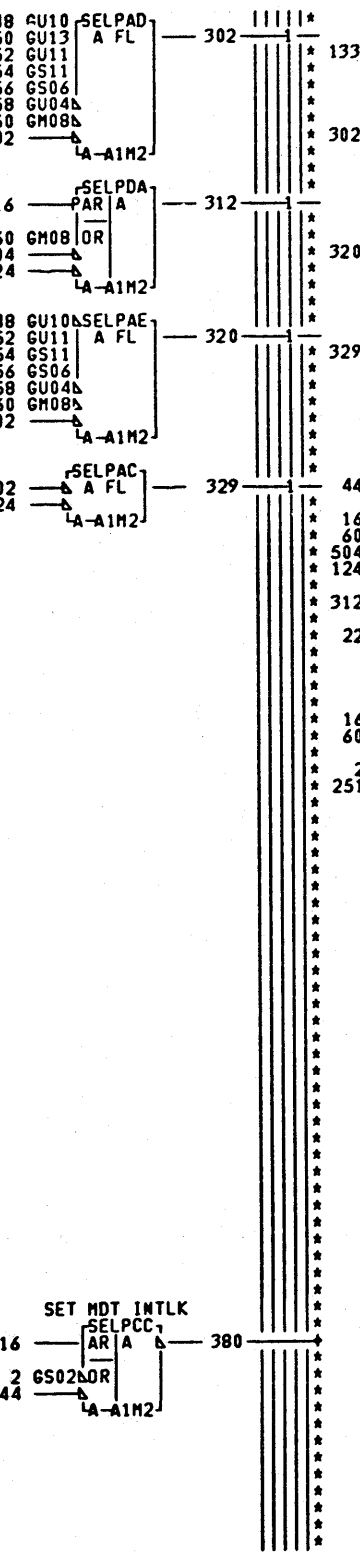
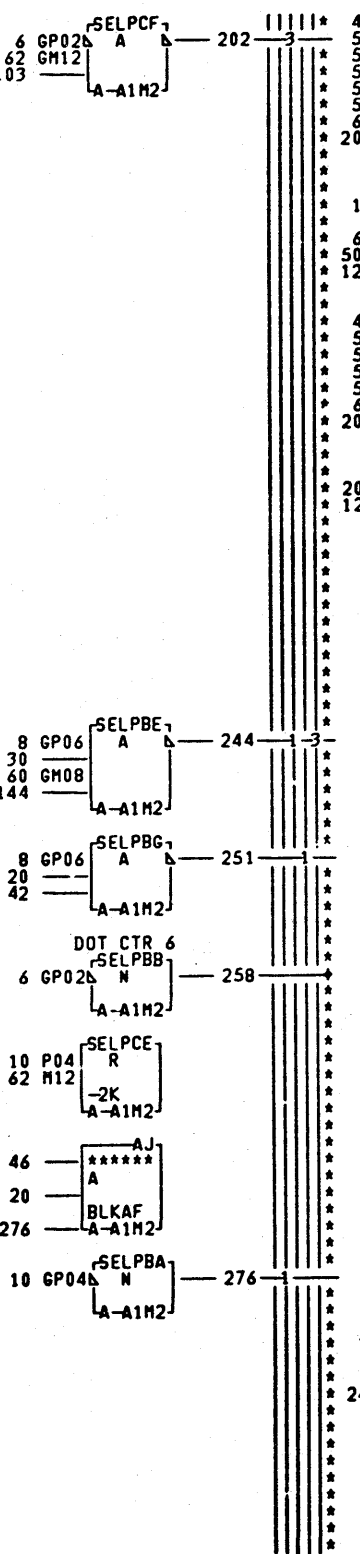
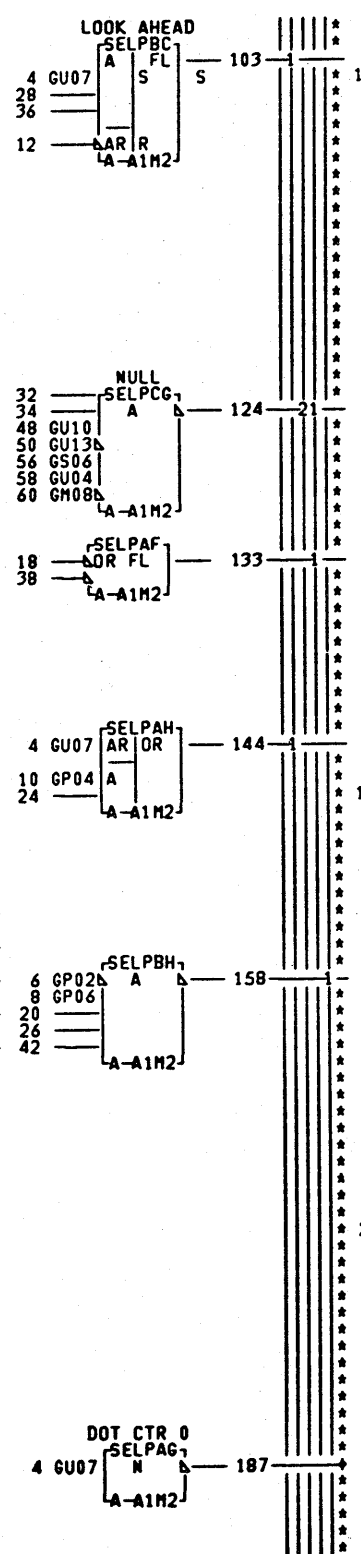
KM141FB4	DC2 A-A1L6C04	01A-A1M3E02
01A-A1M6A02	DC3 A-A1L6D04	DN4 A-A1N6A02
KM141FF4	DC4 A-A1L6E04	
01A-A1N6C02	DC5 A-A1M6A04	
KM141HJ4	DC6 A-A1M6B04	
01A-A1M6D02	DC1 A-A1M6C04	
KM141HL4	DC2 A-A1M6D04	
01A-A1L6D02	DC3 A-A1M6E04	
DC1 A-A1L6B04	DC5 A-A1N6A04	

LOC. TYPE

KEYBOARD INTERFAC. FOR CR	
E.C. HISTORY 717473	A. MACH. 3277
DATE LAST EC 02-18-72	716959
FRAME 01	IBF CORP. KN
P.N. 1823772	

KR201  
001

- HALT LP CONTROLS KA031FB4- 2  
 + DOT 0 KF021BB2- 4  
 - DOT 6 KF021EE6- 6  
 + LAST LINE KF171DB4- 8  
 - 19SR OR 48 SR CONN KT011002- 10  
 - DOT CTR 8 KT031AC4- 12  
 - MDT INTLK SET KT031BB4- 14  
 + DOT CTR 8 KT031BC4- 16  
 - ADD 1 FS KT041AP4- 18  
 + STRIKE LAT KT041AR4- 20  
 - STRIKE LAT KT041AS4- 22  
 + DES INTLK SET KT041AT4- 24  
 - DES INTLK SET KT041AU4- 26  
 + FS ON LINE 5 KT041BB4- 28  
 - CHAR ALL ONES OR ROW 0 KT041BH4- 30  
 - BIT 4 LB KT051AA4- 32  
 - BIT 5 LB KT051AB4- 34  
 + BITS 4 AND 5 SPD KT051AE4- 36  
 - RESET KT051AZ4- 38  
 - LP CTR 0 KT061AS4- 40  
 + LP CTR 0 KT061AT4- 42  
 + V KT061AU4- 44  
 + LP CTR 1 KT061AY4- 46  
 - PRE ROS BIT 7 MC021BA4- 48  
 + BIT 6 FROM LINE BUFFER MC021BB4- 50  
 + BIT 5 FROM LINE BUFFER MC021BC4- 52  
 + BIT 4 FROM LINE BUFFER MC021BD4- 54  
 - PRE ROS BIT 3 MC021BE4- 56  
 - PRE ROS BIT 2 MC021BF4- 58  
 + BIT 8 FROM LINE BUFFER MC021BG4- 60  
 + LMR CASE BIT 1 LB MC111BL6- 62



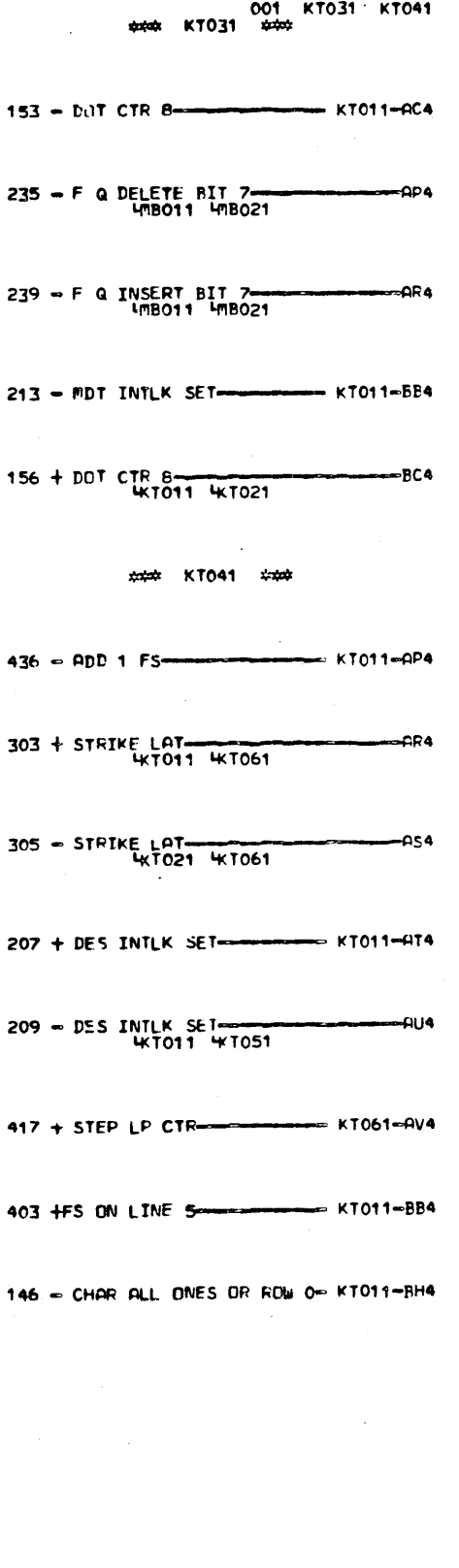
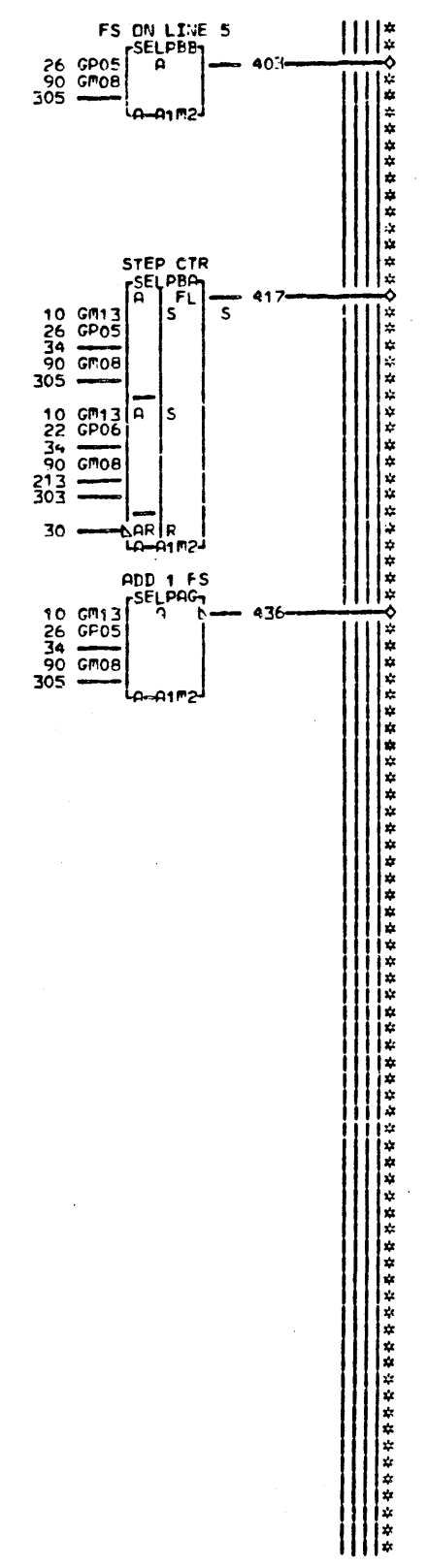
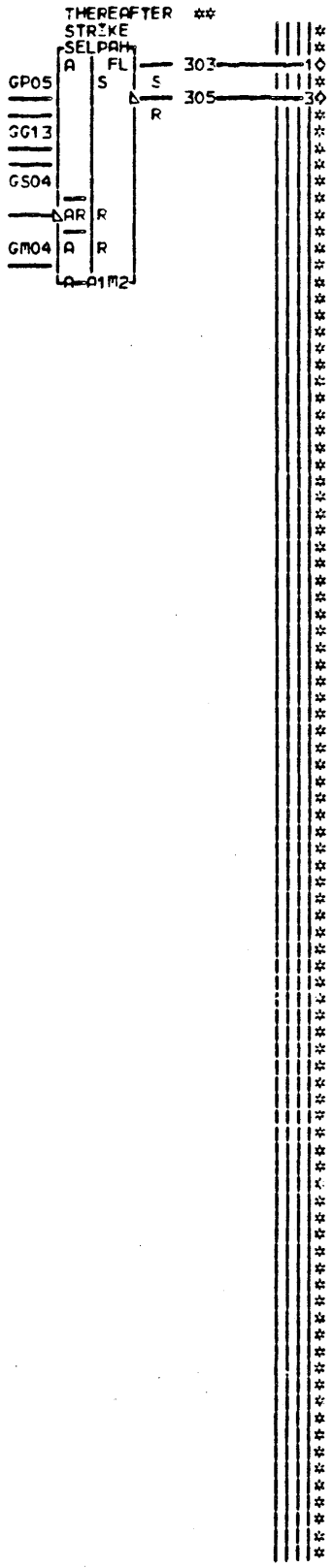
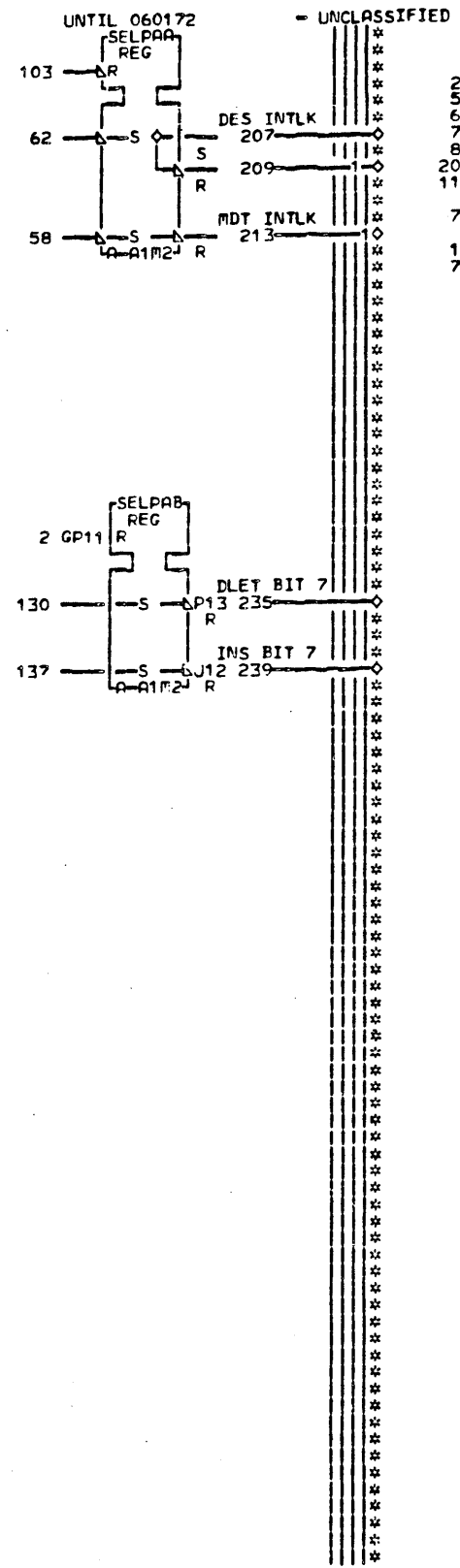
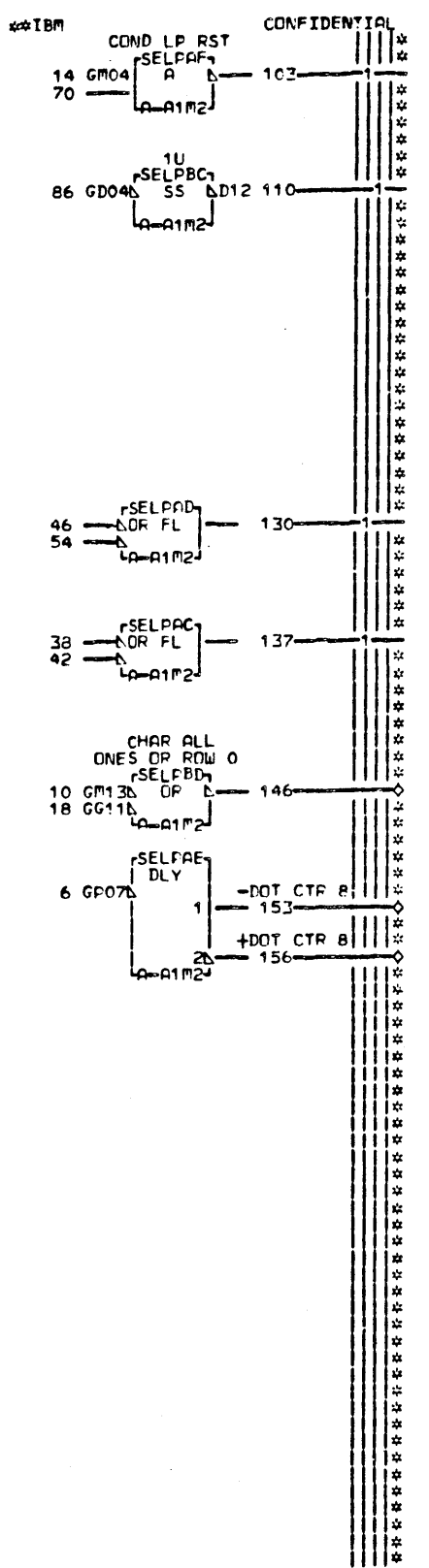
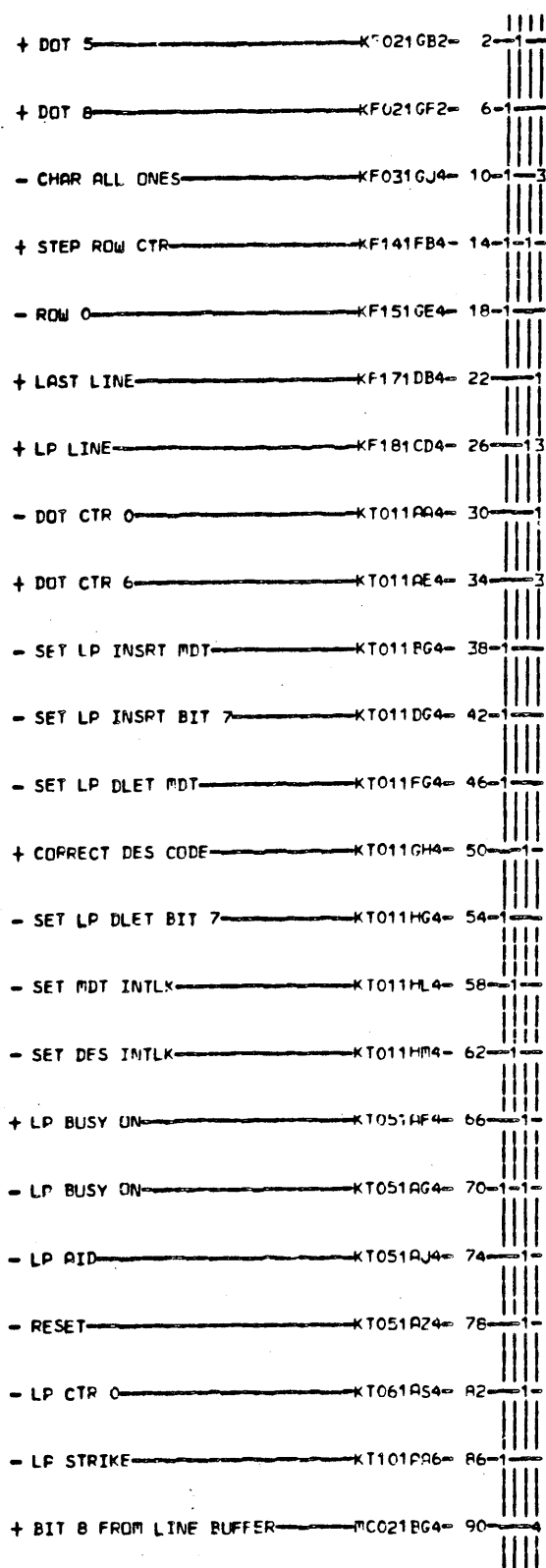
\*\*\* KT011 A15 KT011 KT021 \*\*\*  
 187 - DOT CTR 0 KT041-AA4  
 258 + DOT CTR 6 KT041-AE4  
 577 - SET LP INSRT MDT KT031-BG4  
 560 - SET LP INSRT BIT 7 KT031-DG4  
 567 - SET LP DLET MDT KT031-FG4  
 504 + CORRECT DES CODE KT041-GH4  
 557 - SET LP DLET BIT 7 KT031-HG4  
 538 - SET LP AID LAT HJ4  
 KA061 KT051  
 380 - SET MDT INTLK KT031-HL4  
 443 - SET DES INTLK KT041-HM4  
 \*\*\* KT021 \*\*\*  
 511 +DRAW BAR SR 1 KT051-BF2

LOC. TYPE  
A-A1M2 9088

PAGE VER EC LEV  
KT011 A15 717946  
KT021 A15 717946

ANR 19J48 LP CTRL		
-E.C.-HISTORY- 717473 716959	C MACH.3277	
DATE 08-05-72	LAST EC 717946	FRAME 01 IBN CORP.KN P.N. 1823774
		KT011 KT021 A15

KT011  
KT021  
A15

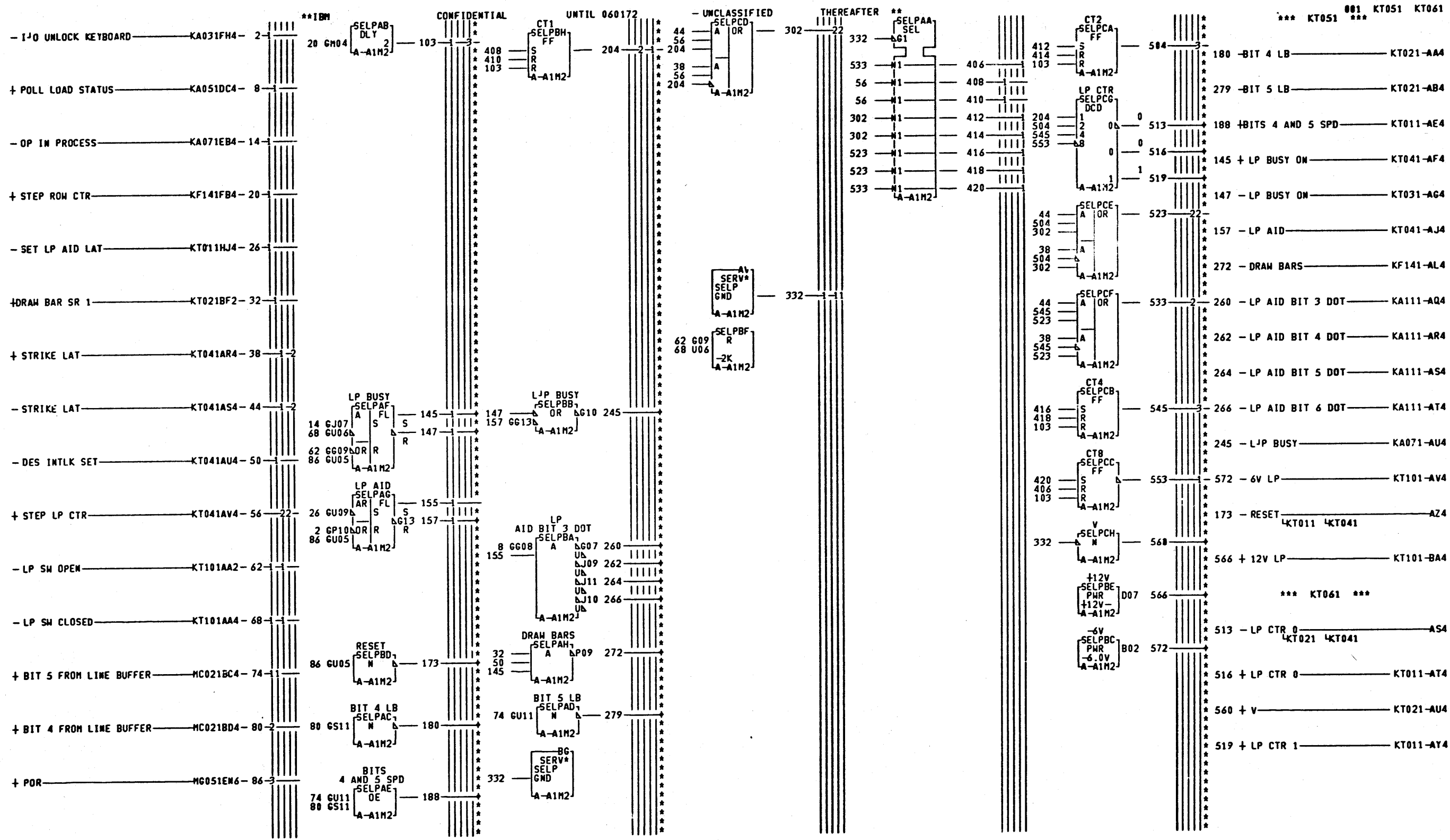


LOC. TYPE  
A-A1M2 9088

PAGE VER EC LEV  
KT031 001 717473  
KT041 001 717946

KT031  
KT041  
001

ANR 19J48 LP CTRL			
E-C-HISTORY	MACH	3277	
717473	FRAME	01	KT031
	IBM CORP	KN	KT041
DATE LAST EC	P.No	1823776	001
08-05-72	717946		



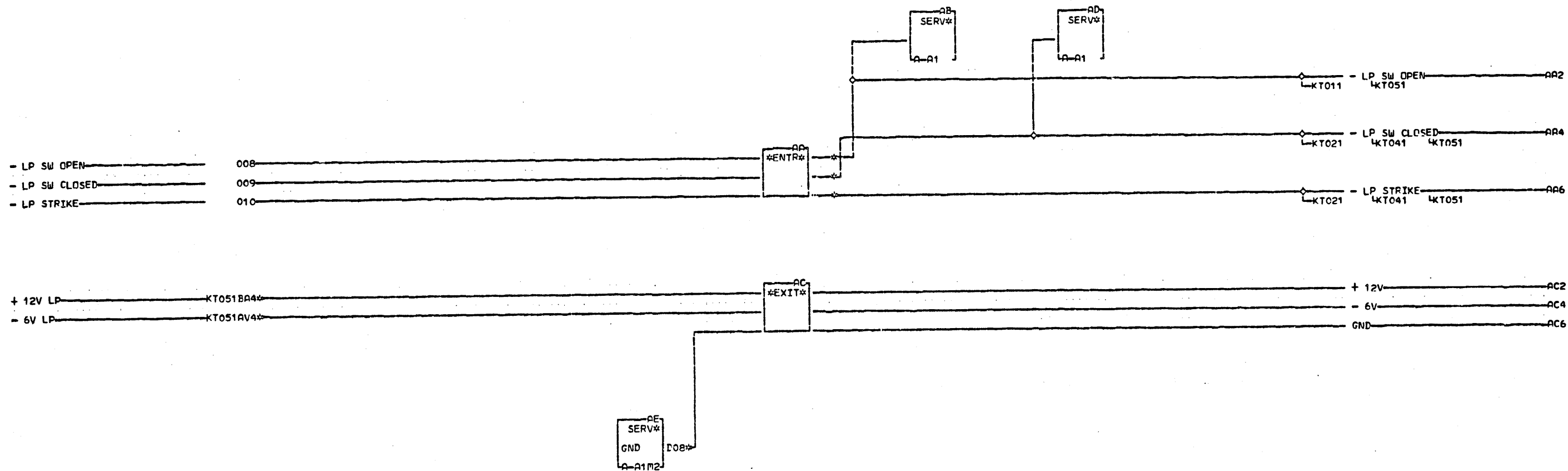
001 KT051 KT061  
 \*\*\* KT051 \*\*\*

LOC. TYPE  
 A-A1M2 9088

PAGE VER EC LEV  
 KT051 001 717946  
 KT061 001 717473

AMR 19J48 LP CTRL			
-E.C.-HISTORY-		C-MACH.3277	
717473		FRAME	01 KT051
716959		IBM CORP.	KN KT061
717492			
DATE	LAST EC	P.N.	1023780 001
08-05-72	717946		

KT051  
 KT061  
 001



K  
T  
1  
0  
1  
001

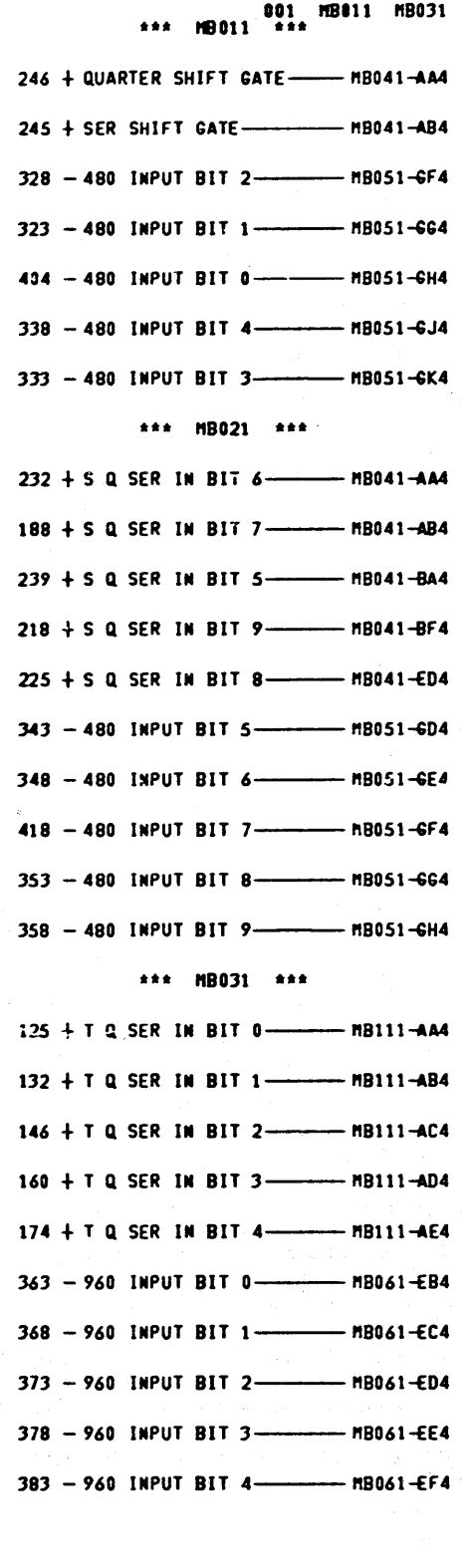
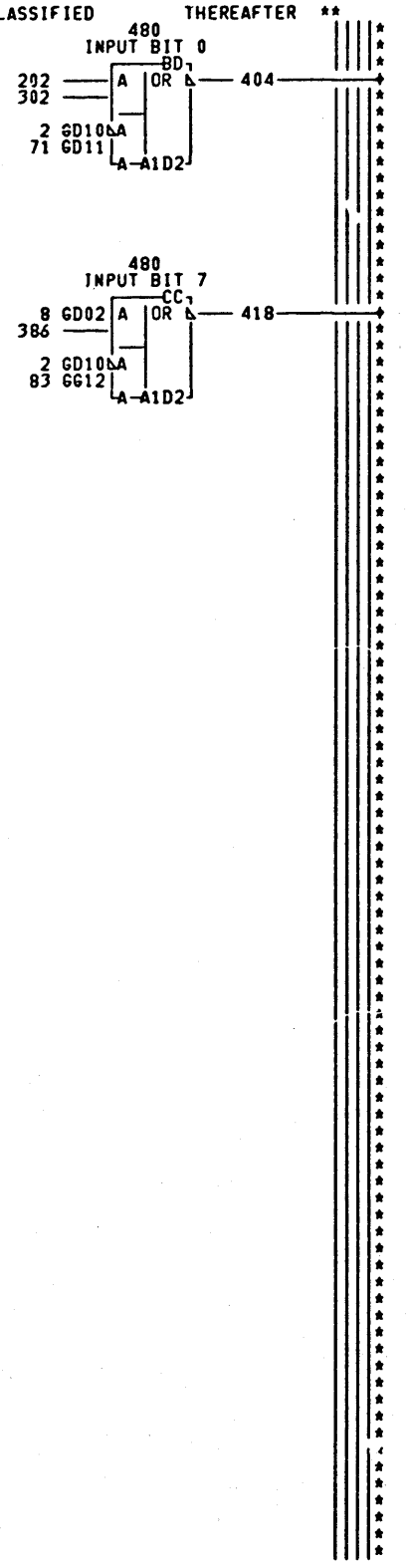
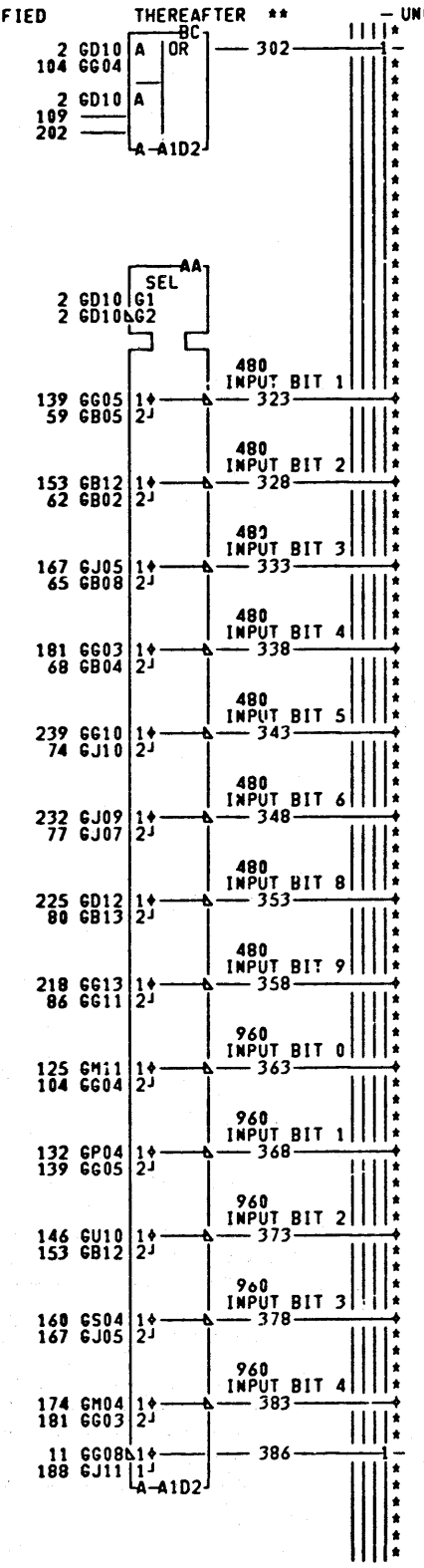
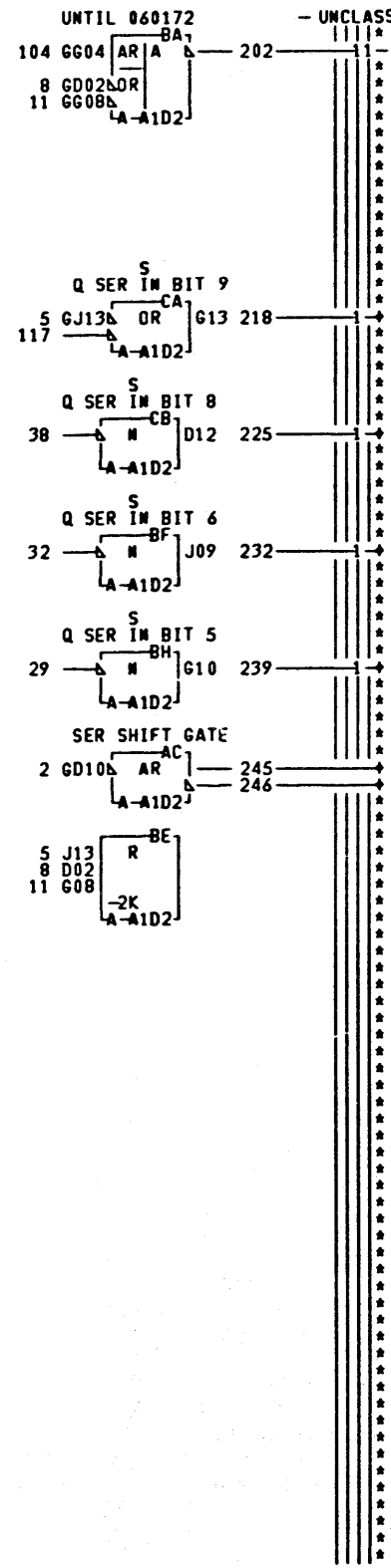
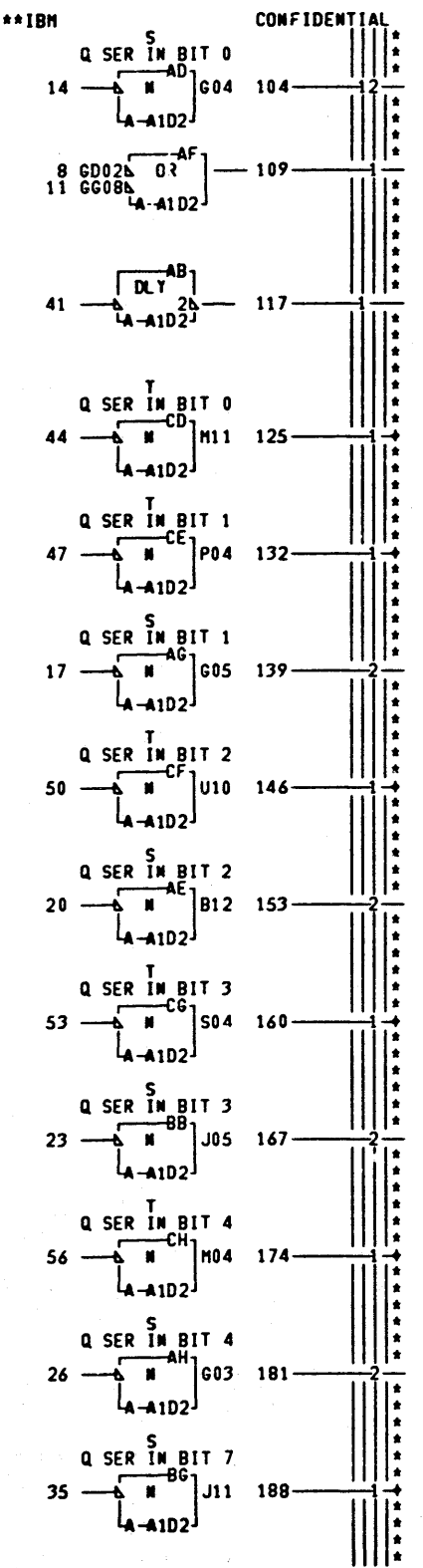
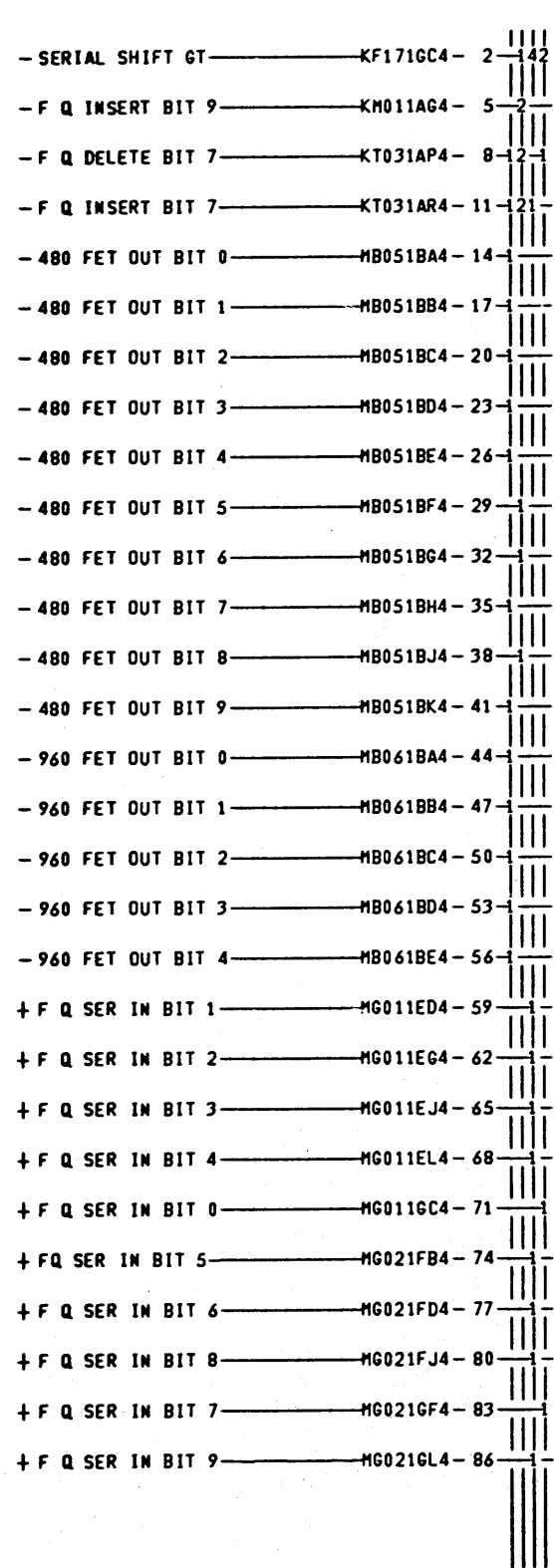
KT051AV4 AE4 A-A1M1B13  
 01A-A1M1D13 01A-A1M1A11  
 KT051BA4  
 01A-A1L1C13  
 AA2 A-A1M1C13  
 01A-A1N1B11  
 AA4 A-A1L1E13  
 01A-A1L1B11  
 AA6 A-A1L1B12

LOC. TYPE

SELECTOR PEN INTERFACE LINES	
E.C. HISTORY 7:7473	B. MACH. 3277
DATE 06-01-72	LAST EC 717492
IB® CORP. SDD	FRAME 01
P.N. 1823783	

K  
T  
1  
0  
1





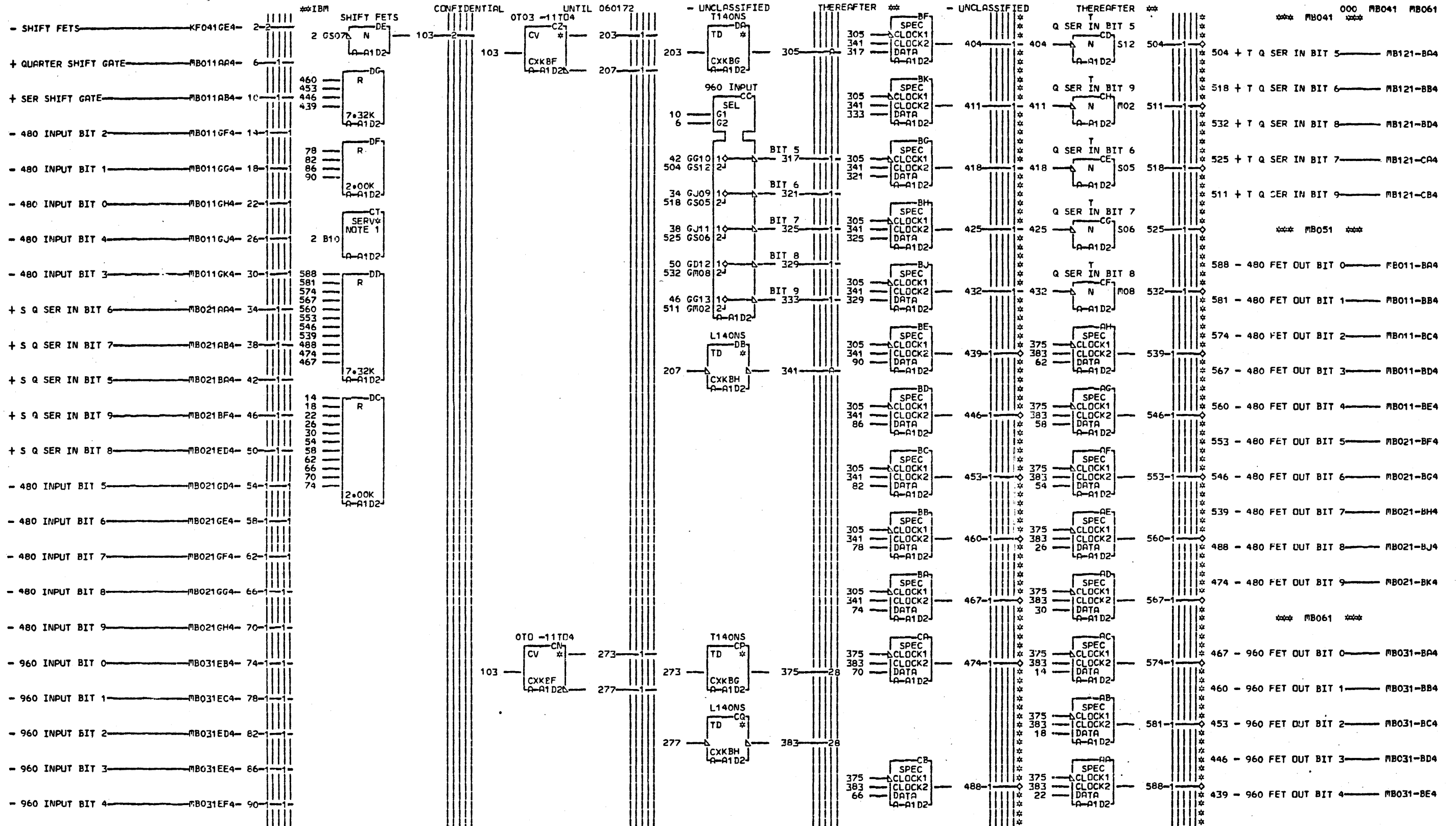
A.SIM TO PM 1563770 EC 717473  
 B.SIM TO PM 1563771 EC 717473

LOC. TYPE  
 A-A1D2 9065

PAGE VER EC LEV  
 MB011 001 717473  
 MB021 001 717473  
 MB031 000 717473

MB011  
 MB031  
 001

960 STOR + GATE		
-E.C.-HISTORY-		C-MACH.3277
DATE	LAST EC	FRAME 01 MB011
01-21-72	717473	IBM CORP.KM MB031
		P.N. 1823785 001



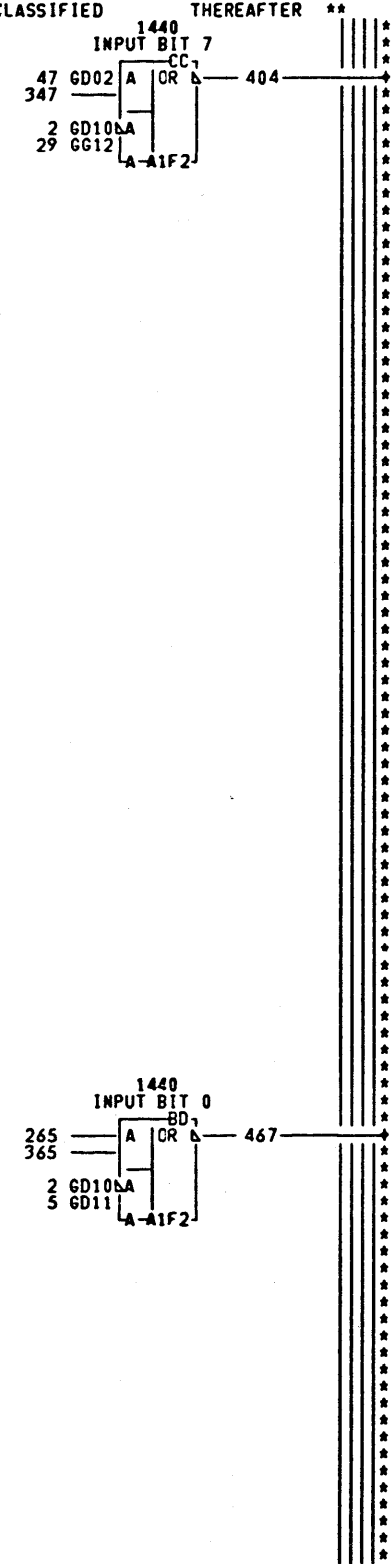
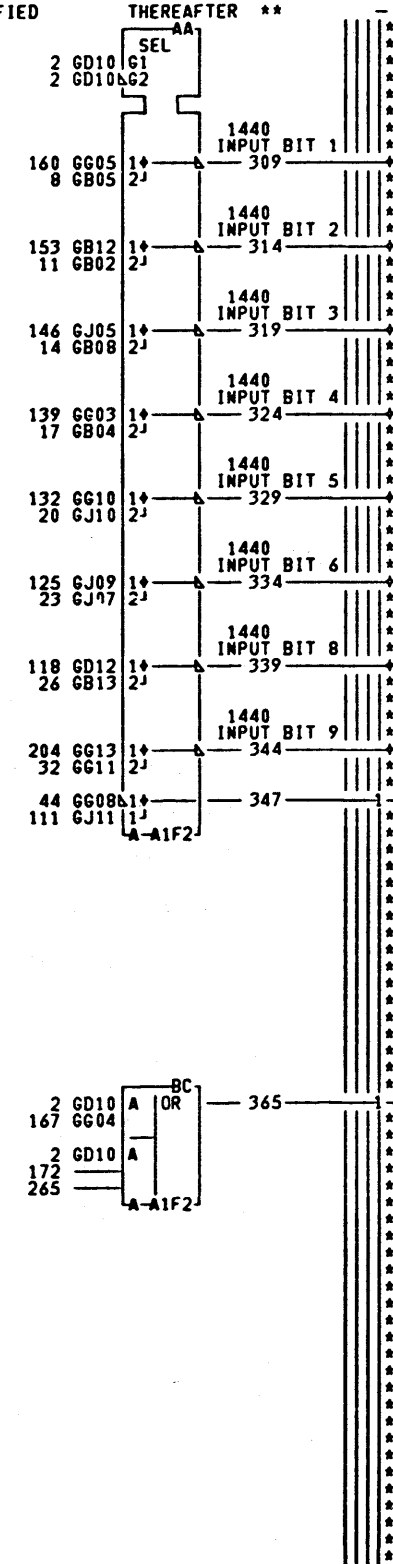
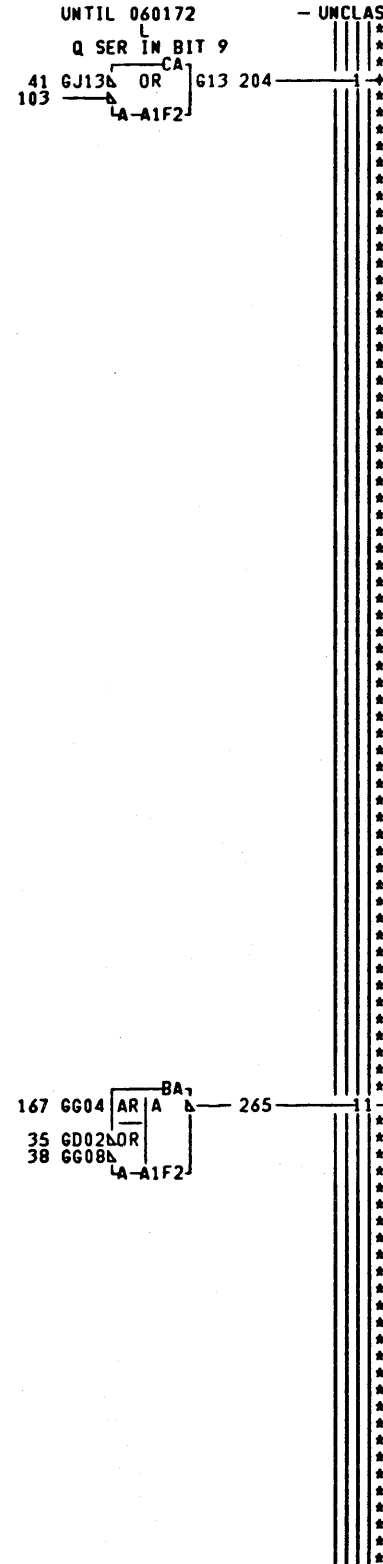
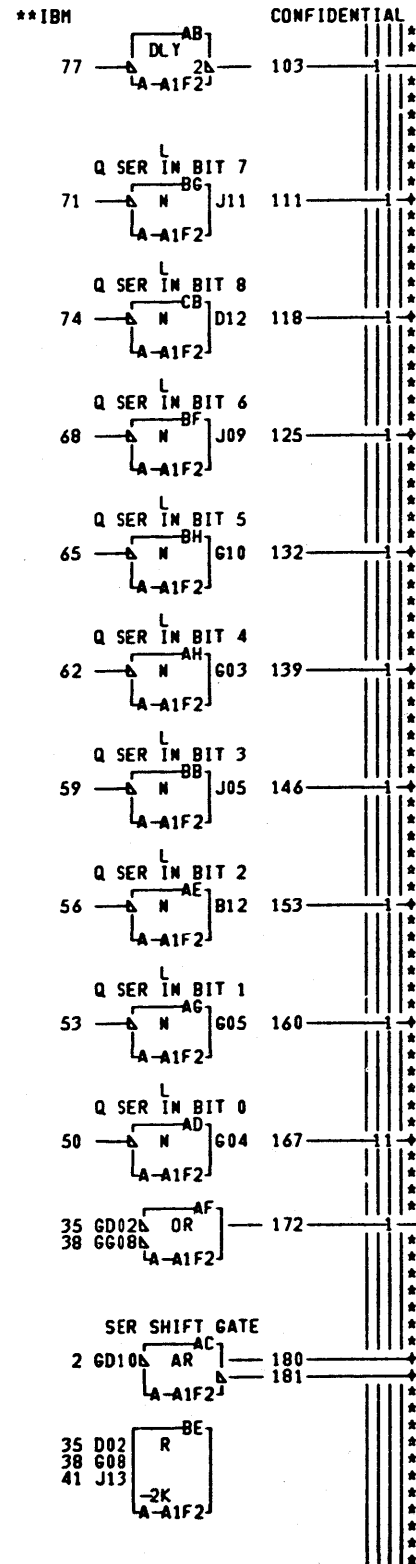
LOC. TYPE  
A-A1D2 9065

PAGE VER EC LEV  
MB041 000 717492  
MB051 000 717946  
MB061 000 717492

960 STOR + GATE		
E.C. HISTORY	B. MACH. 3277	
717473	717492	FRAME 01 MB041
DATE	LAST EC	IBM CORP. KN MB061
08-05-72	717946	P.N. 1823789 000

MB041  
MB061  
000

- SERIAL SHIFT GT — K F 1 7 1 C C 4 — 2 — 42  
 + T Q SER IN BIT 0 — M B 0 3 1 A A 4 — 5  
 + T Q SER IN BIT 1 — M B 0 3 1 A B 4 — 8  
 + T Q SER IN BIT 2 — M B 0 3 1 A C 4 — 11  
 + T Q SER IN BIT 3 — M B 0 3 1 A D 4 — 14  
 + T Q SER IN BIT 4 — M B 0 3 1 A E 4 — 17  
 + T Q SER IN BIT 5 — M B 0 4 1 B A 4 — 20  
 + T Q SER IN BIT 6 — M B 0 4 1 B B 4 — 23  
 + T Q SER IN BIT 8 — M B 0 4 1 B D 4 — 26  
 + T Q SER IN BIT 7 — M B 0 4 1 C A 4 — 29  
 + T Q SER IN BIT 9 — M B 0 4 1 C B 4 — 32  
 SPARE — M B 1 1 1 0 0 2 — 35-21  
 SPARE — M B 1 1 1 0 0 4 — 38-21  
 SPARE — M B 1 2 1 0 0 7 — 41-11  
 SPARE — M B 1 2 1 0 0 8 — 44  
 SPARE — M B 1 2 1 0 0 9 — 47  
 -1440 FET OUT BIT 0 — M B 1 5 1 B A 4 — 50  
 -1440 FET OUT BIT 1 — M B 1 5 1 B B 4 — 53  
 -1440 FET OUT BIT 2 — M B 1 5 1 B C 4 — 56  
 -1440 FET OUT BIT 3 — M B 1 5 1 B D 4 — 59  
 -1440 FET OUT BIT 4 — M B 1 5 1 B E 4 — 62  
 -1440 FET OUT BIT 5 — M B 1 5 1 B F 4 — 65  
 -1440 FET OUT BIT 6 — M B 1 5 1 B G 4 — 68  
 -1440 FET OUT BIT 7 — M B 1 5 1 B H 4 — 71  
 -1440 FET OUT BIT 8 — M B 1 5 1 B J 4 — 74  
 -1440 FET OUT BIT 9 — M B 1 5 1 B K 4 — 77



000 MB111 MB121  
 \*\*\* MB111 \*\*\*  
 181 + QUARTER SHIFT GATE — AA4  
 M B 1 3 1 M B 1 4 1  
 180 + SER SHIFT GATE — AB4  
 M B 1 3 1 M B 1 4 1  
 167 + L Q SER IN BIT 0 — MB131-BC4  
 153 + L Q SER IN BIT 2 — MB131-BD4  
 160 + L Q SER IN BIT 1 — MB131-CB4  
 139 + L Q SER IN BIT 4 — MB131-DE4  
 146 + L Q SER IN BIT 3 — MB131-EG4  
 314 -1440 INPUT BIT 2 — MB151-GF4  
 309 -1440 INPUT BIT 1 — MB151-GG4  
 467 -1440 INPUT BIT 0 — MB151-GH4  
 324 -1440 INPUT BIT 4 — MB151-GJ4  
 319 -1440 INPUT BIT 3 — MB151-GK4  
 \*\*\* MB121 \*\*\*  
 125 + L Q SER IN BIT 6 — MB141-AA4  
 111 + L Q SER IN BIT 7 — MB141-AB4  
 132 + L Q SER IN BIT 5 — MB141-BA4  
 204 + L Q SER IN BIT 9 — MB141-BF4  
 118 + L Q SER IN BIT 8 — MB141-ED4  
 329 -1440 INPUT BIT 5 — MB151-GD4  
 334 -1440 INPUT BIT 6 — MB151-GE4  
 404 -1440 INPUT BIT 7 — MB151-GF4  
 339 -1440 INPUT BIT 8 — MB151-GG4  
 344 -1440 INPUT BIT 9 — MB151-GH4

MB111  
 MB121  
 000

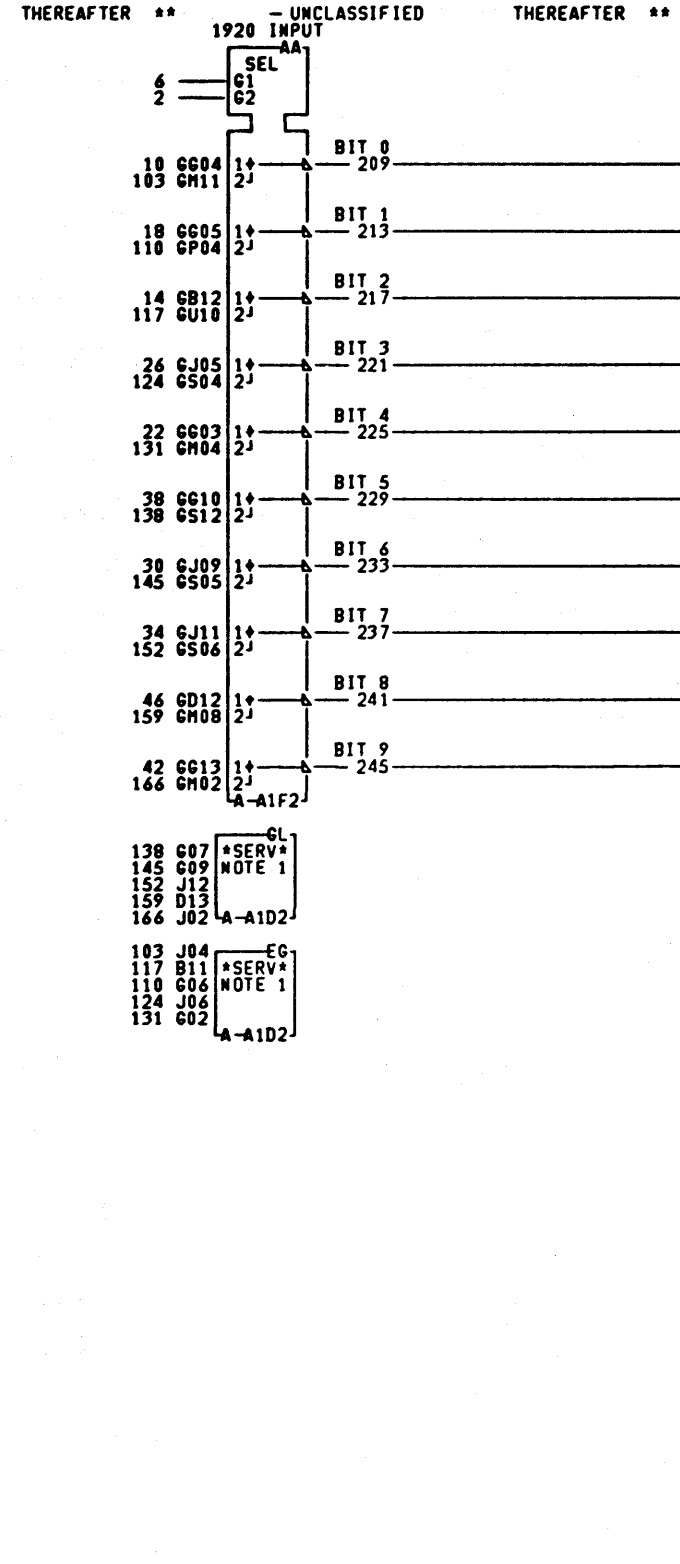
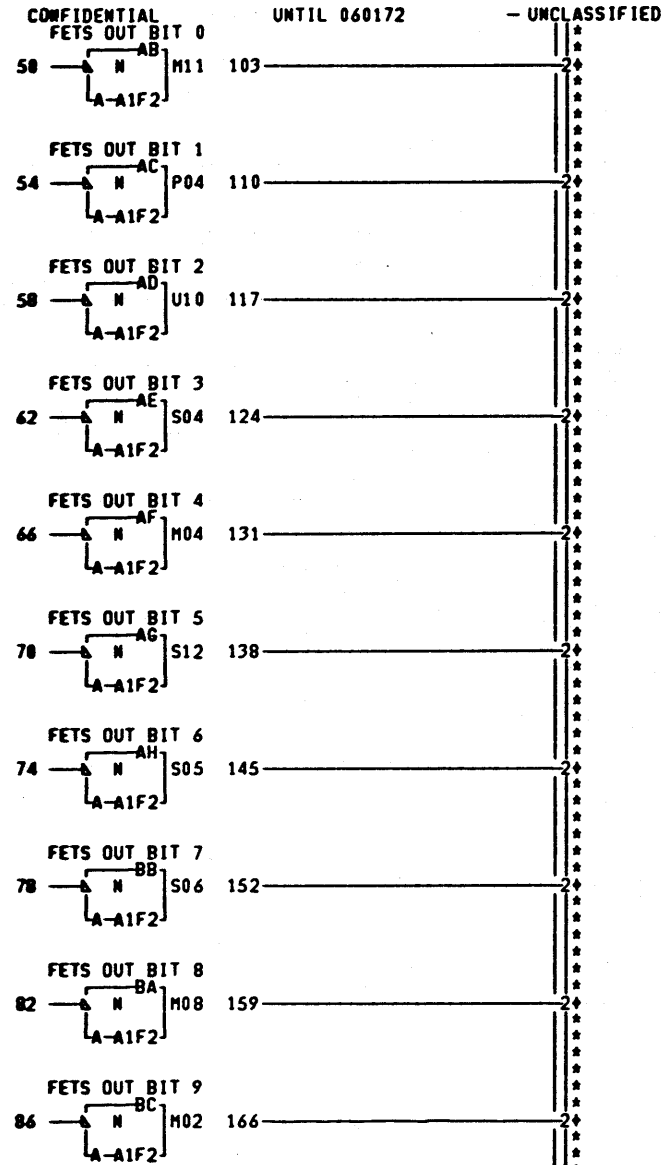
LOC. TYPE  
 A-1F2 9065

PAGE VER EC LEV  
 MB111 000 717473  
 MB121 000 717473

960 STOR + GATE		
-E.C.-HISTORY-		C-MACH.3277
DATE	LAST EC	FRAME 01 MB111
01-21-72	717473	IBM CORP.KN MB121
		P.N. 1823792 000

+ QUARTER SHIFT GATE — MB111AA4 — 2  
 + SER SHIFT GATE — MB111AB4 — 6  
 + L Q SER IN BIT 0 — MB111BC4 — 10  
 + L Q SER IN BIT 2 — MB111BD4 — 14  
 + L Q SER IN BIT 1 — MB111CB4 — 18  
 + L Q SER IN BIT 4 — MB111DE4 — 22  
 + L Q SER IN BIT 3 — MB111EG4 — 26  
 + L Q SER IN BIT 6 — MB121AA4 — 30  
 + L Q SER IN BIT 7 — MB121AB4 — 34  
 + L Q SER IN BIT 5 — MB121BA4 — 38  
 + L Q SER IN BIT 9 — MB121BF4 — 42  
 + L Q SER IN BIT 8 — MB121ED4 — 46  
 -1920 FET OUT BIT 0 — MB161BA4 — 50  
 -1920 FET OUT BIT 1 — MB161BB4 — 54  
 -1920 FET OUT BIT 2 — MB161BC4 — 58  
 -1920 FET OUT BIT 3 — MB161BD4 — 62  
 -1920 FET OUT BIT 4 — MB161BE4 — 66  
 -1920 FET OUT BIT 5 — MB161BF4 — 70  
 -1920 FET OUT BIT 6 — MB161BG4 — 74  
 -1920 FET OUT BIT 7 — MB161BH4 — 78  
 -1920 FET OUT BIT 8 — MB161BJ4 — 82  
 -1920 FET OUT BIT 9 — MB161BK4 — 86

\*\*IBM



\*\*\* MB131 001 MB131 MB141 \*\*\*  
 103 + FETS OUT BIT 0 — AA4  
 110 + FETS OUT BIT 1 — AB4  
 117 + FETS OUT BIT 2 — AC4  
 124 + FETS OUT BIT 3 — AD4  
 131 + FETS OUT BIT 4 — AE4  
 209 -1920 INPUT BIT 0 — MB161-EB4  
 213 -1920 INPUT BIT 1 — MB161-EC4  
 217 -1920 INPUT BIT 2 — MB161-ED4  
 221 -1920 INPUT BIT 3 — MB161-EE4  
 225 -1920 INPUT BIT 4 — MB161-EF4  
 \*\*\* MB141 \*\*\*  
 138 + FETS OUT BIT 5 — BA4  
 145 + FETS OUT BIT 6 — BB4  
 159 + FETS OUT BIT 8 — BD4  
 152 + FETS OUT BIT 7 — CA4  
 166 + FETS OUT BIT 9 — CB4  
 229 -1920 INPUT BIT 5 — MB161-GC4  
 233 -1920 INPUT BIT 6 — MB161-GD4  
 237 -1920 INPUT BIT 7 — MB161-GE4  
 241 -1920 INPUT BIT 8 — MB161-GF4  
 245 -1920 INPUT BIT 9 — MB161-GG4

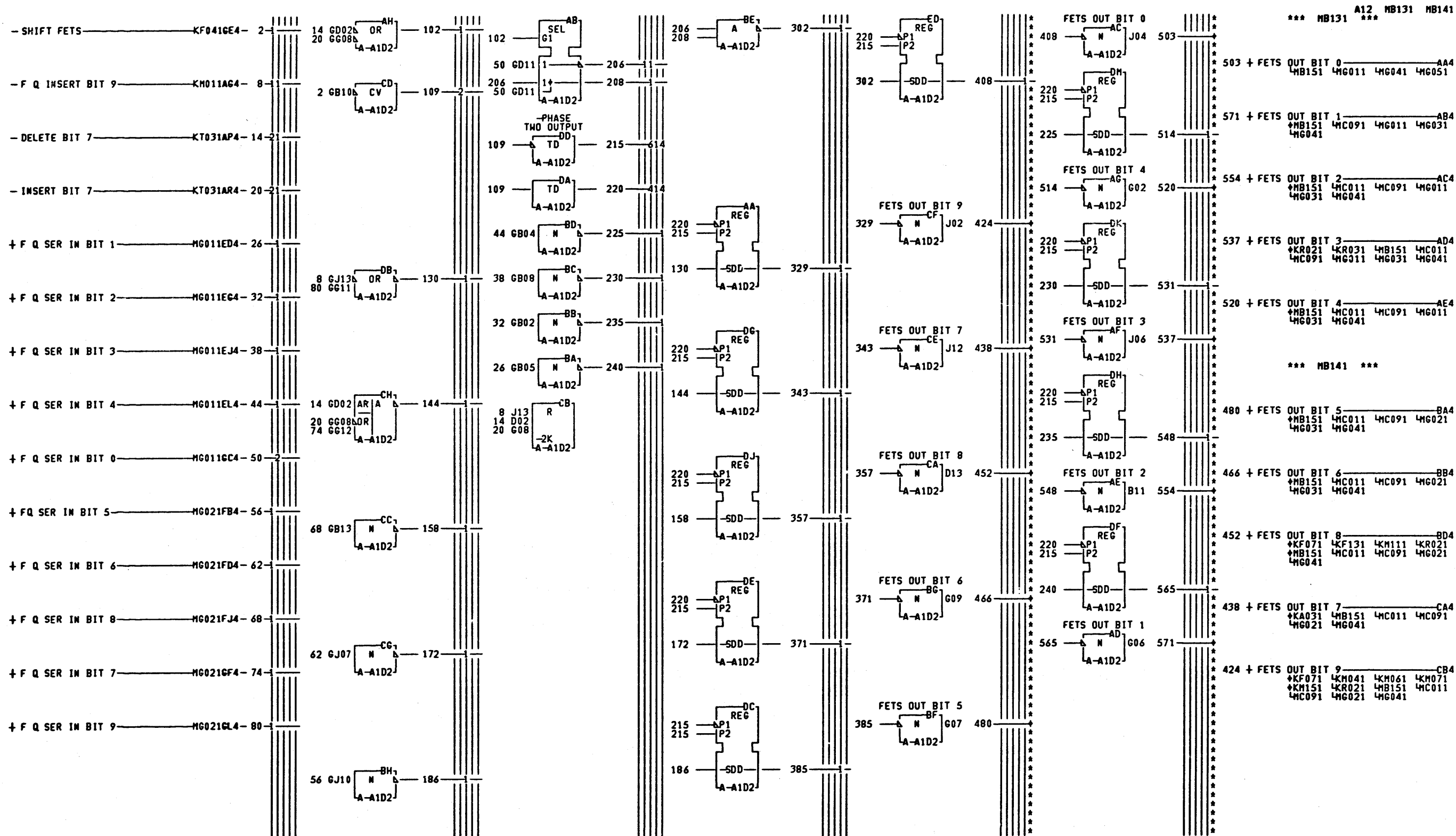
A.NOTE 1 FOR 480 FORMAT  
 SIM TO PM 1563778 EC 717473  
 B.NOTE 1 FOR 480 FORMAT

LOC. TYPE  
 A-1F2 9065

PAGE VER EC LEV  
 MB131 001 717473  
 MB141 000 717946

MB131  
 MB141  
 001

960 STORE + GATE		
-E.C.-HISTORY- 717473	C-MACH.3277	
DATE 08-05-72	LAST EC 717946	FRAME 01 MB131 IBM CORP.PD MB141 P.M. 1823795 001



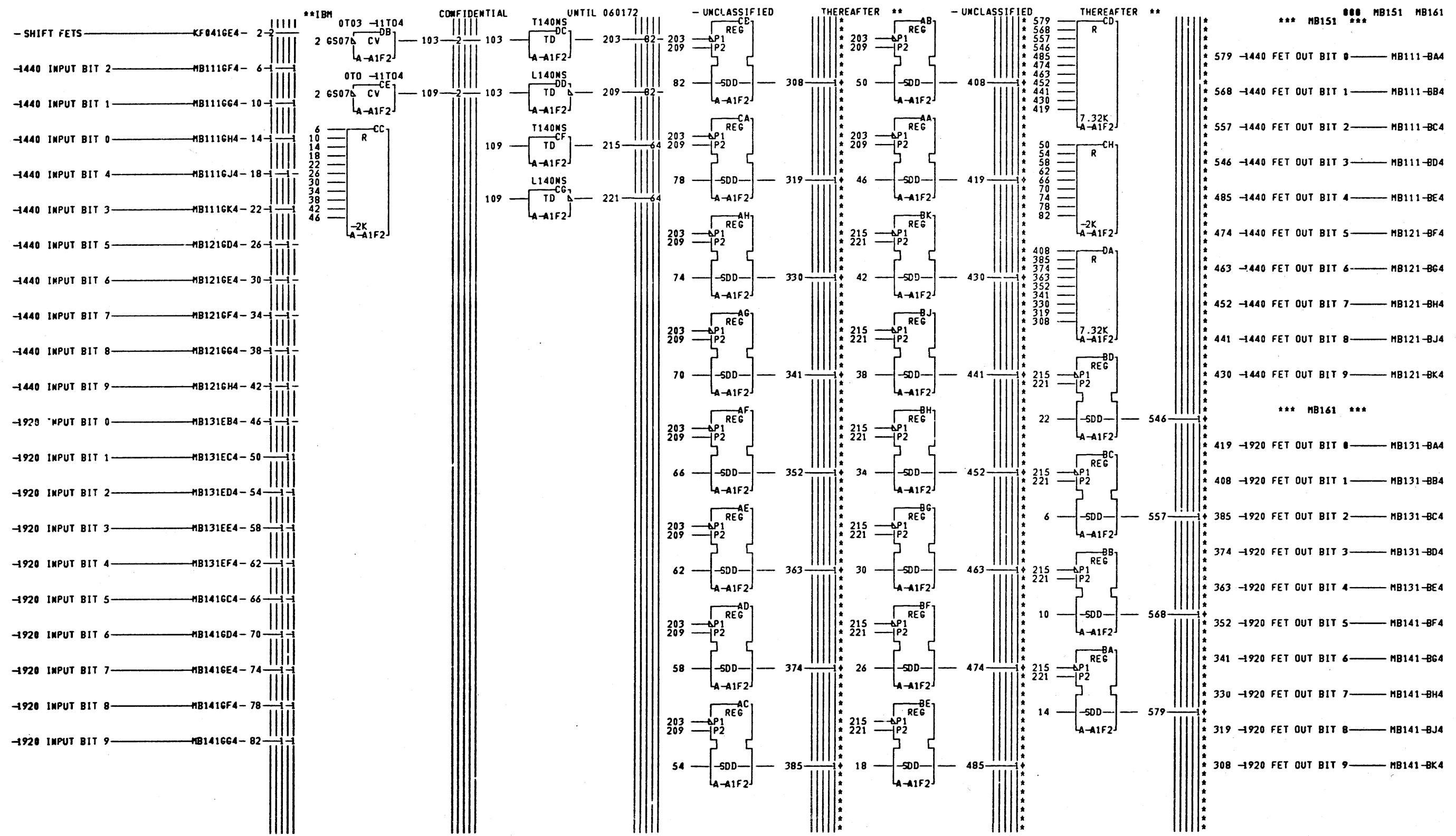
A-SIM TO PN 1563778 EC 717473  
 B-SIM TO PN 1563779 EC 717946

LOC. TYPE  
 A-A1D2 9057

PAGE VER EC LEV  
 MB131 A12 717946  
 MB141 A12 717946

480 STORAGE BITS 0-4			
-E.C.-HISTORY-		C-NACH.3277	
717473		FRAME 01	MB131
717492		IBN CORP.KM	MB141
DATE LAST EC		P.N. 1823799	A12
88-85-72	717946		

MB131  
 MB141  
 A12



MB151  
 MB161  
 000

LOC. TYPE  
 A-A1F2 9065

PAGE VER EC LEV  
 MB151 000 717946  
 MB161 000 717492

960 STOR + GATE			
-E.C. HISTORY-		C-MACH.3277	
717473		FRAME 01	MB151
717492		IBN CORP.PD	MB161
DATE	LAST EC	P.N.	1823801 000
08-05-72	717946		

\*\*IBM

CONFIDENTIAL

UNTIL 060172

- UNCLASSIFIED

THEREAFTER \*\*

- UNCLASSIFIED

THEREAFTER \*\*

002 MB151 MB161

- SHIFT FETS ——— KF041CE4- 2-3
- SERIAL SHIFT GT ——— KF171CC4- 9-2
- + FETS OUT BIT 0 ——— MB131AA4- 16-
- + FETS OUT BIT 1 ——— MB131AB4- 23-
- + FETS OUT BIT 2 ——— MB131AC4- 30-
- + FETS OUT BIT 3 ——— MB131AD4- 37-
- + FETS OUT BIT 4 ——— MB131AE4- 44-
- + FETS OUT BIT 5 ——— MB141BA4- 51-
- + FETS OUT BIT 6 ——— MB141BB4- 58-
- + FETS OUT BIT 8 ——— MB141BD4- 65-
- + FETS OUT BIT 7 ——— MB141CA4- 72-
- + FETS OUT BIT 9 ——— MB141CB4- 79-

108 D11 AH  
 109 B05 \*SERV\*  
 110 B04 NOTE 1  
 111 B13  
 112 G11  
 A-A1F2

AC B11 108  
 \*SERV\* D04 109  
 NOTE 1 B04 110  
 B08 111  
 B02 112  
 A-A1D4

AF  
 \*SERV\*  
 NOTE 1  
 2 B07  
 A-A1D5

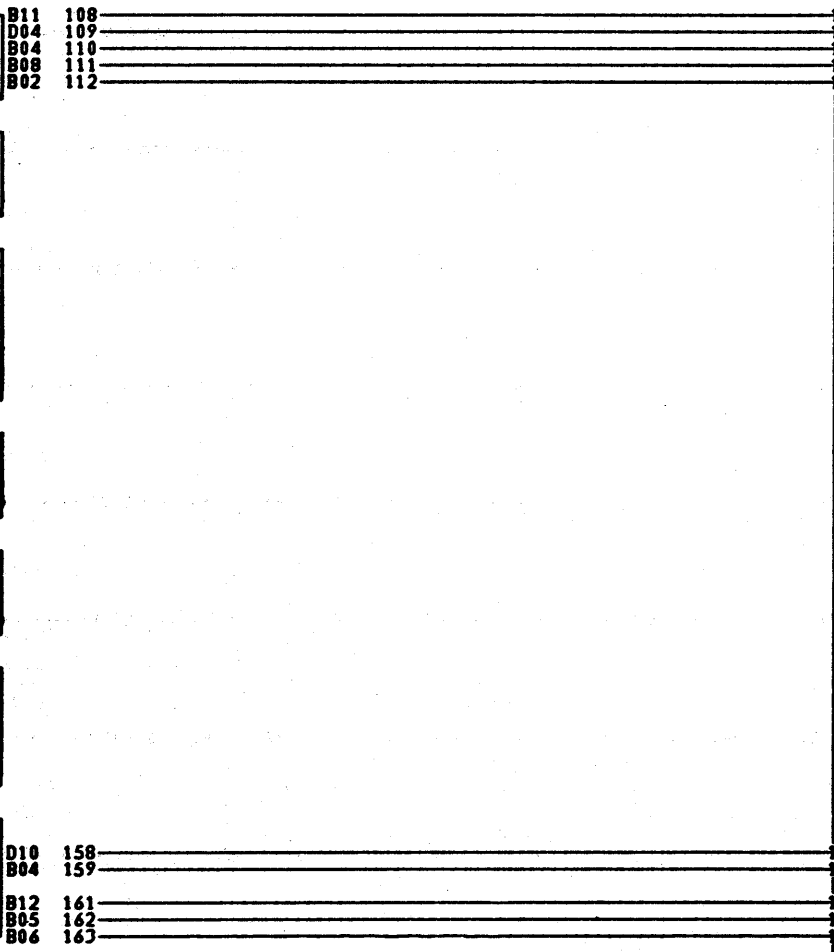
16 M11 AE  
 23 P04 \*SERV\*  
 38 U10 NOTE 1  
 37 S04  
 44 M04  
 51 S12  
 58 S05  
 72 S06  
 65 M08  
 79 M02  
 A-A1F2

AD  
 \*SERV\*  
 NOTE 1  
 9 D10  
 A-A1F2

AC  
 \*SERV\*  
 NOTE 1  
 9 D10  
 A-A1D2

AB  
 \*SERV\*  
 NOTE 1  
 158 B02  
 159 B08  
 161 J10  
 162 J07  
 163 G12  
 A-A1F2

AA  
 \*SERV\*  
 NOTE 1  
 D10 158  
 B04 159  
 B12 161  
 B05 162  
 A-A1D5 B06 163



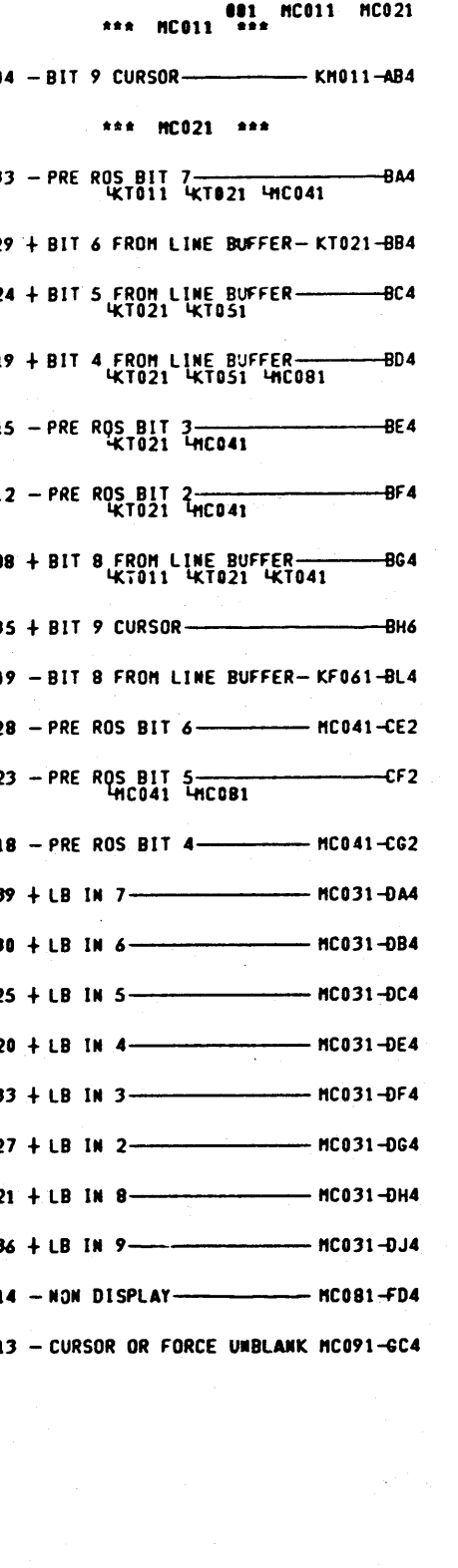
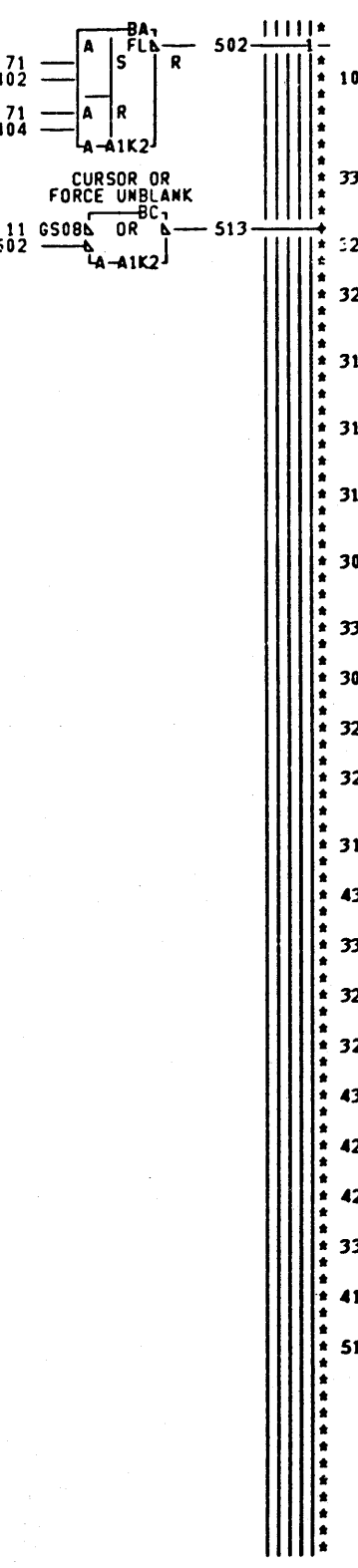
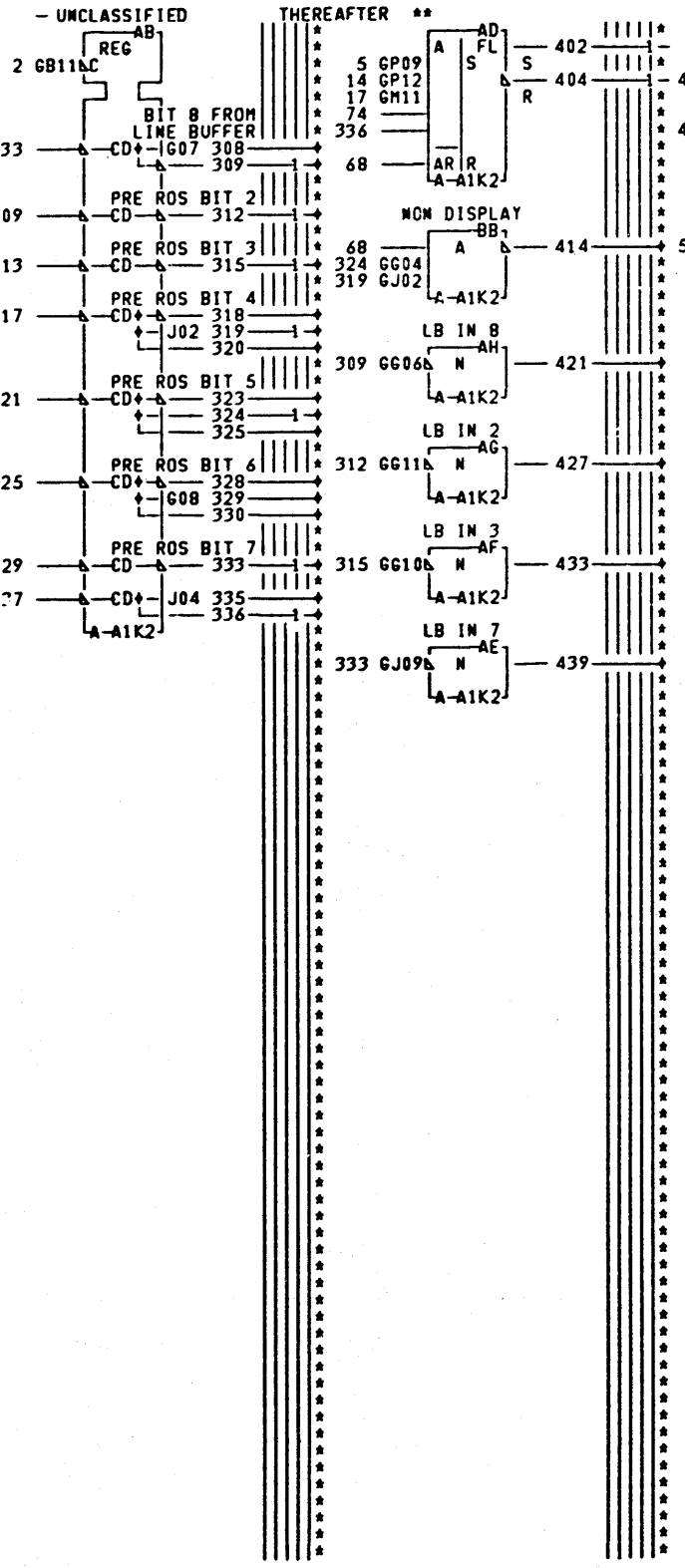
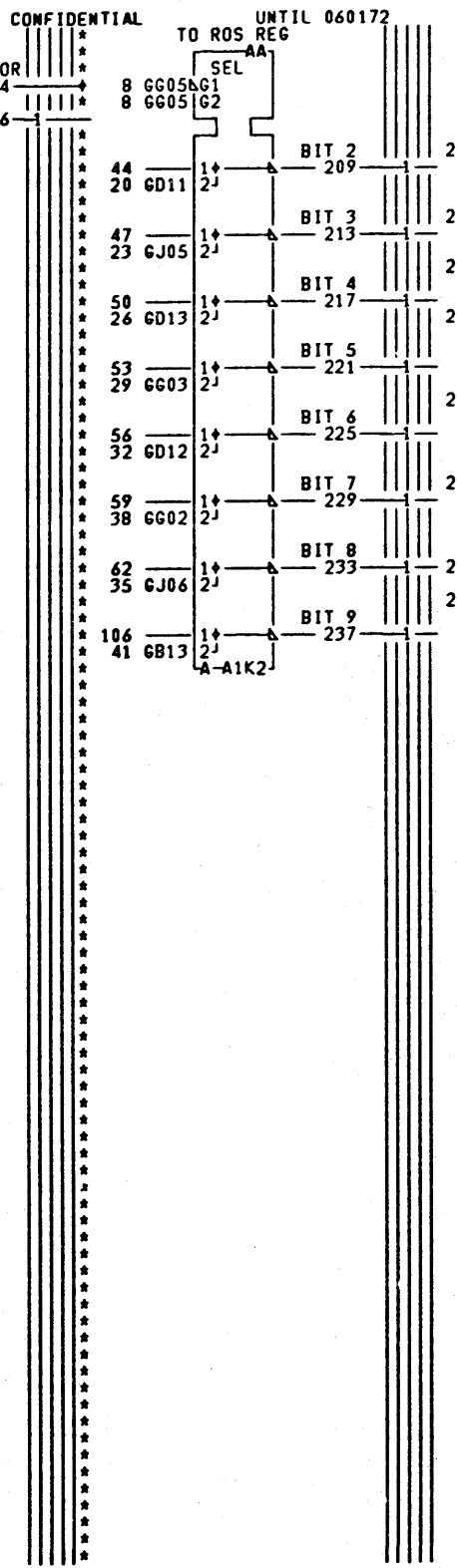
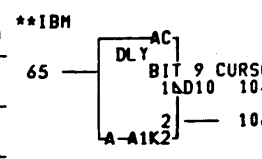
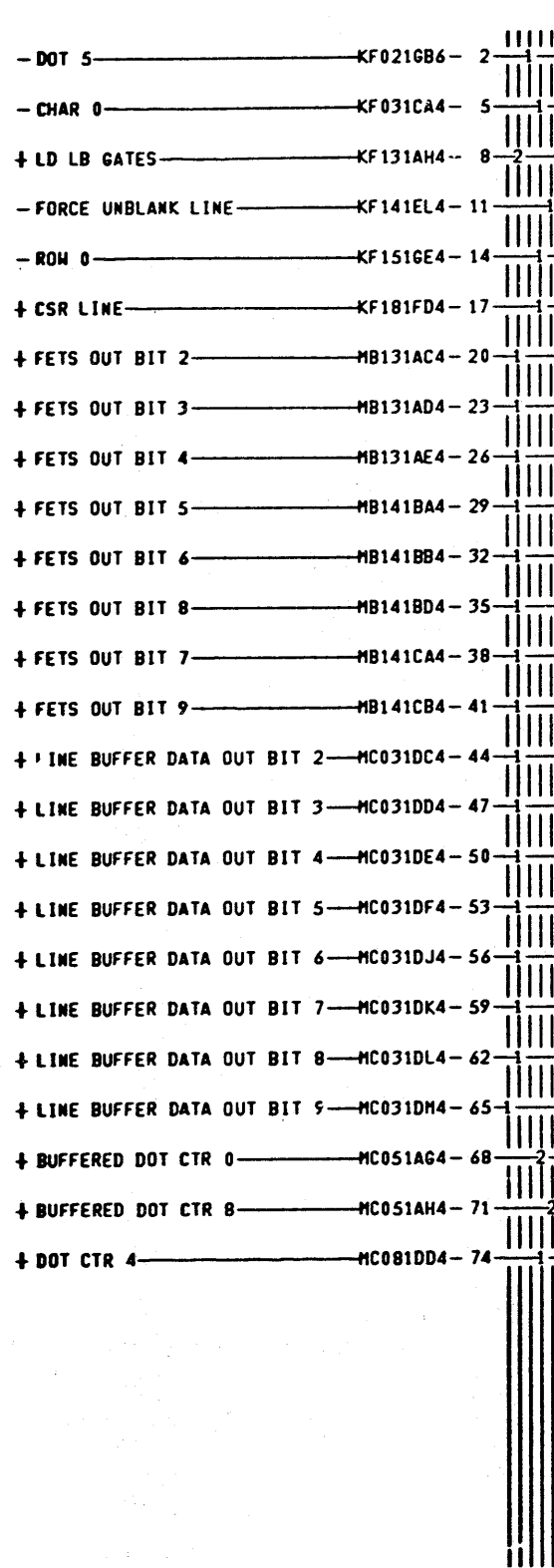
A. NOTE 1 FOR 1920 FORMAT  
 SIM TO PN 1563780 EC 717946  
 B. SIM TO PN 1563781 EC 717473

MB151  
 MB161  
 002

LOC. TYPE

PAGE VER EC LEV  
 MB151 002 717946  
 MB161 002 717473

REF 1920 BOARD WIRING			
-E.C. HISTORY-		C-MACH. 3277	
717473	FRAME	01	MB151
DATE	LAST EC	IBM CORP. SDD	MB161
00-11-72	717946	P.N. 1823802	002



A. NOTE SEE REFERENCE PAGE ZZ101 FOR CHARACTER GENERATOR CARDS  
 B. NOTE SEE REFERENCE PAGE ZZ101 FOR CHARACTER GENERATOR CARDS  
 SIM TO PH 1563783 EC 717946

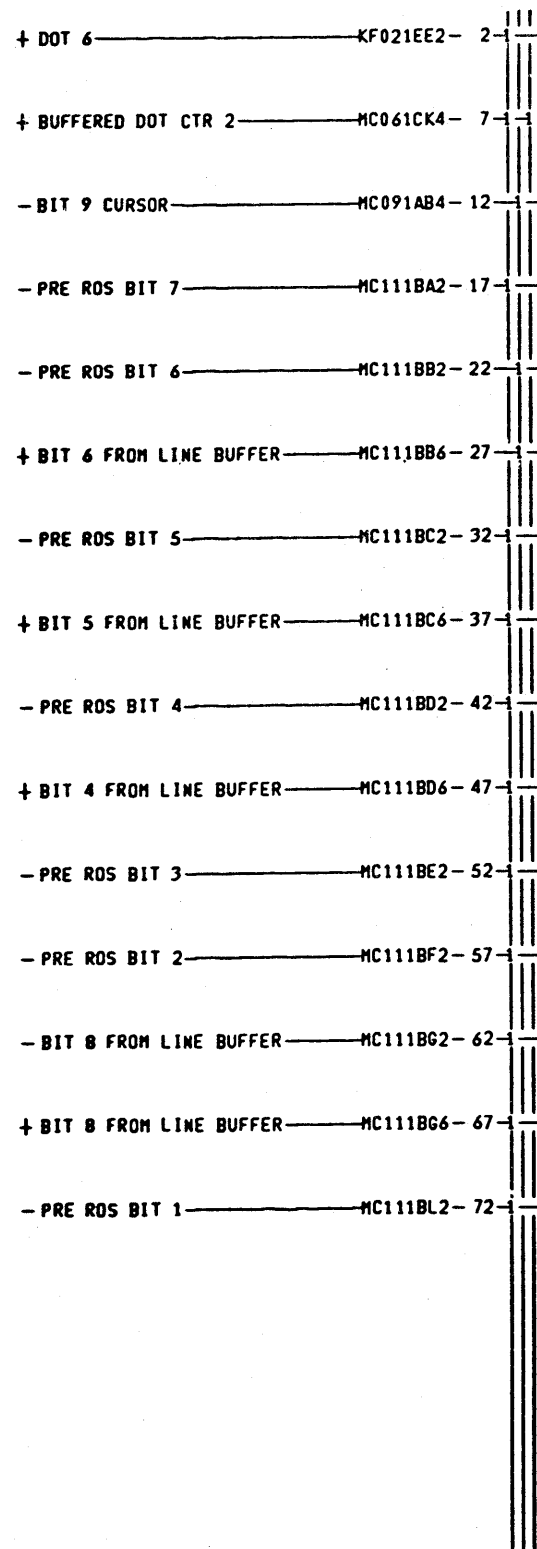
MC011  
 MC021  
 001

LOC. TYPE  
 A-A1K2 9070

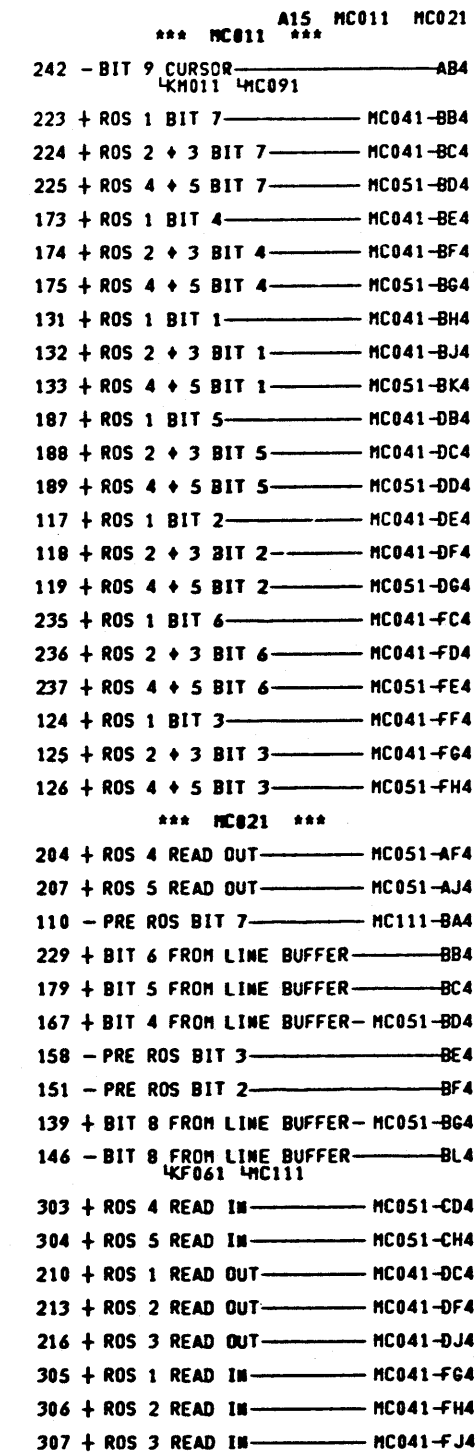
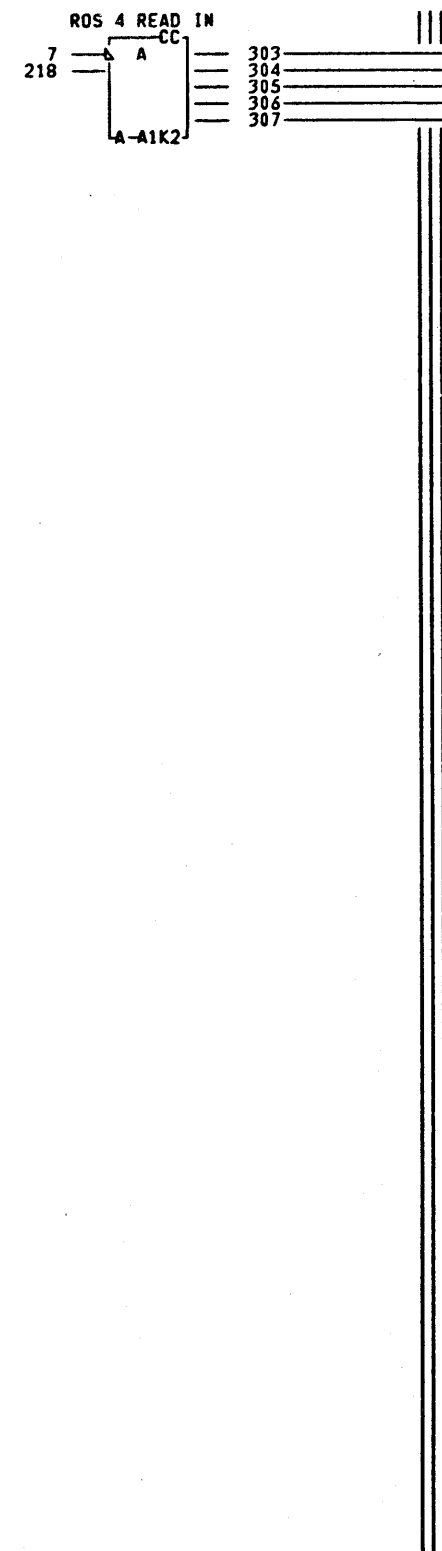
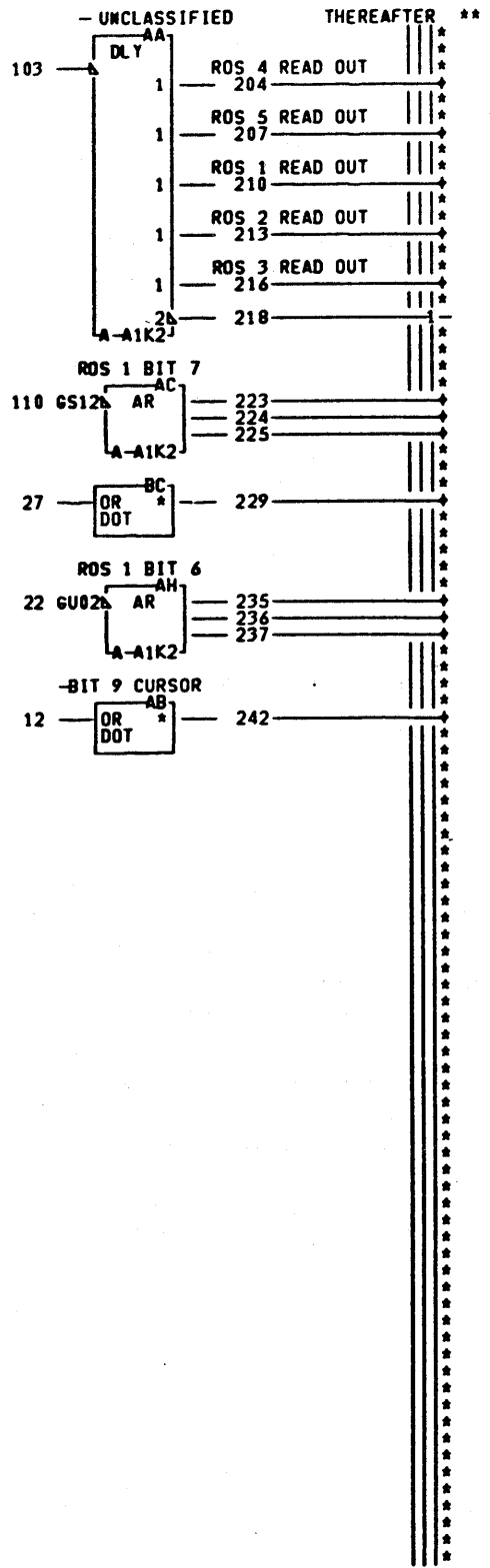
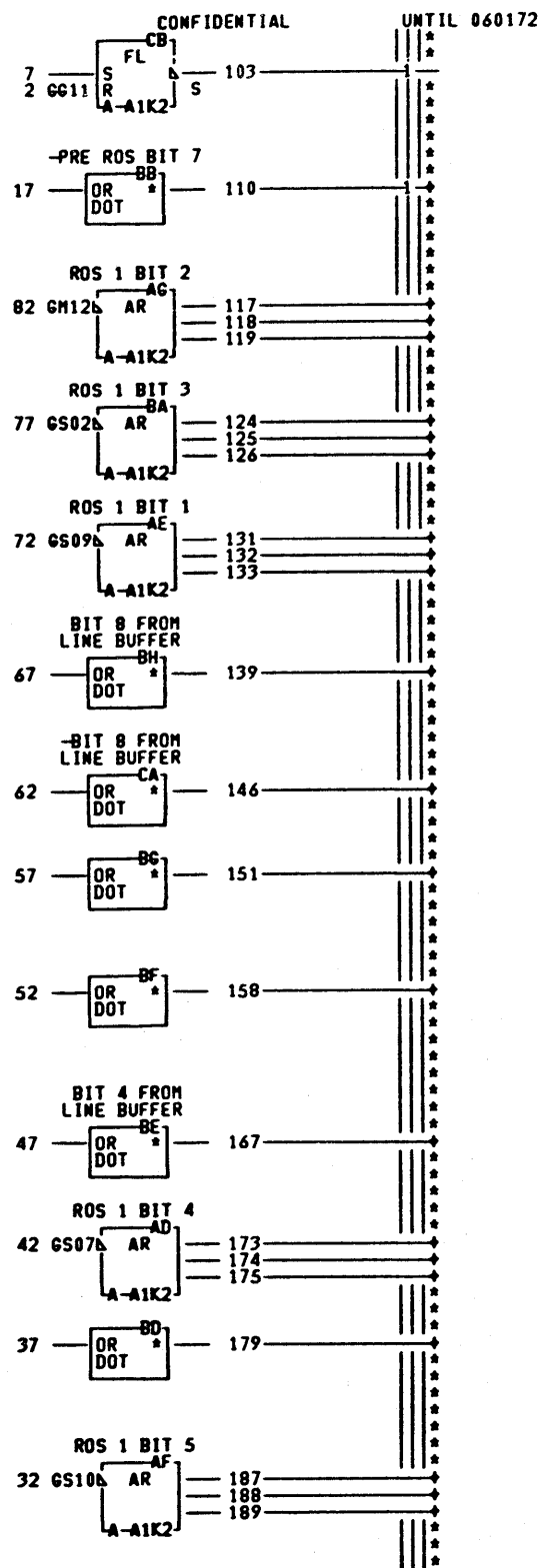
PAGE VER EC LEV  
 MC011 000 717492  
 MC021 001 717946

LINE BUFFER + CHAR. GEN.		
E.C. HISTORY	C.MACH. 3277	
717473		
717492	FRAME 01	MC011
DATE LAST EC	IBH CORP. KM	MC021
08-05-72 717946	P.N. 1823804	001





\*\*IBM

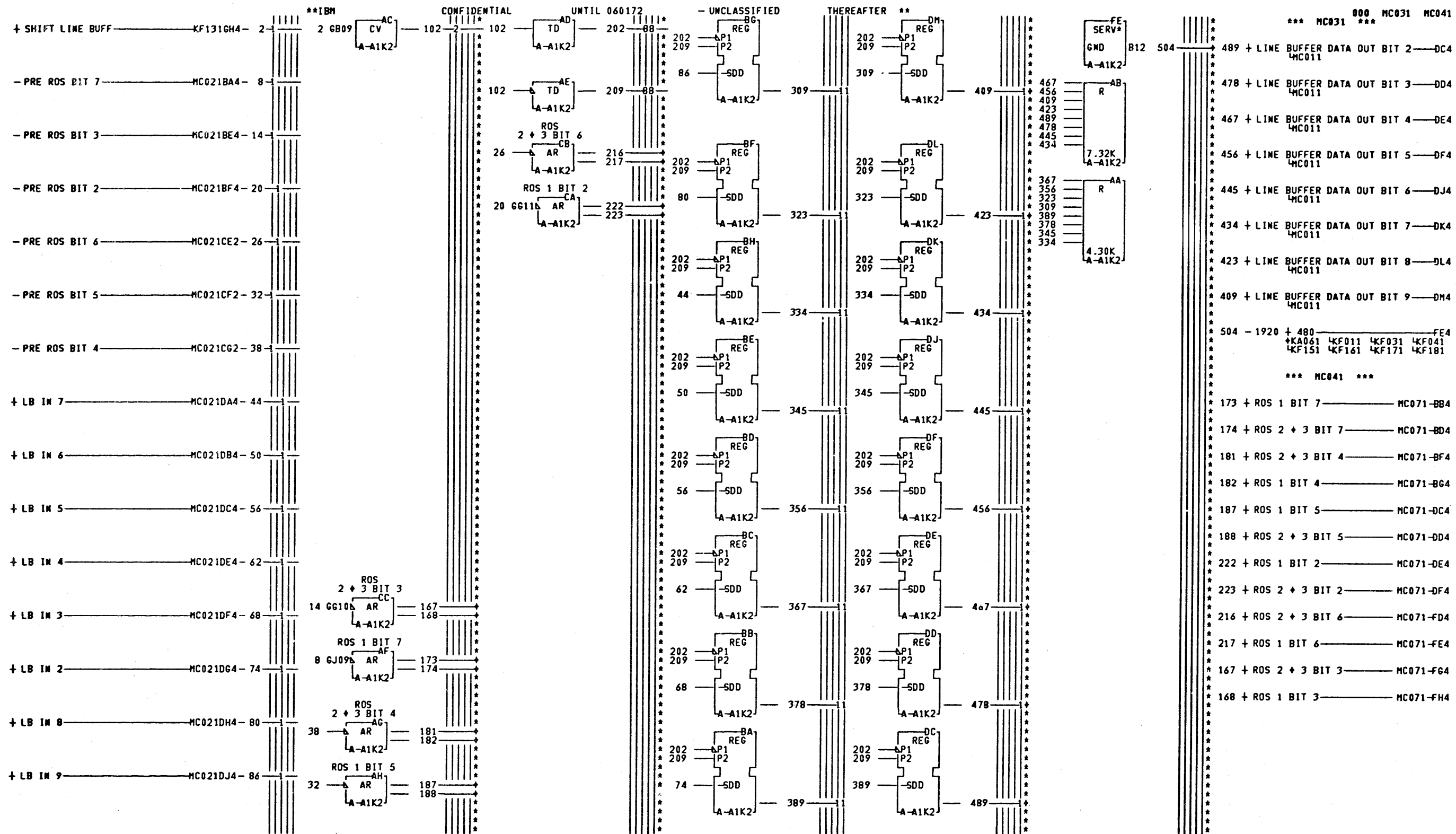


A. NOTE SEE REFERENCE PAGE Z2101 FOR CHARACTER GENERATOR CARDS.  
 SIM TO PN 1563782 EC 717492  
 B. SEE REFERENCE PAGE Z2101 FOR CHARACTER GENERATOR CARDS.  
 MC011 SIM TO PN 1563783 EC 717946  
 MC021  
 A15

LOC. TYPE  
 A-1K2 9123

PAGE VER EC LEV  
 MC011 005 718541  
 MC021 A15 718541

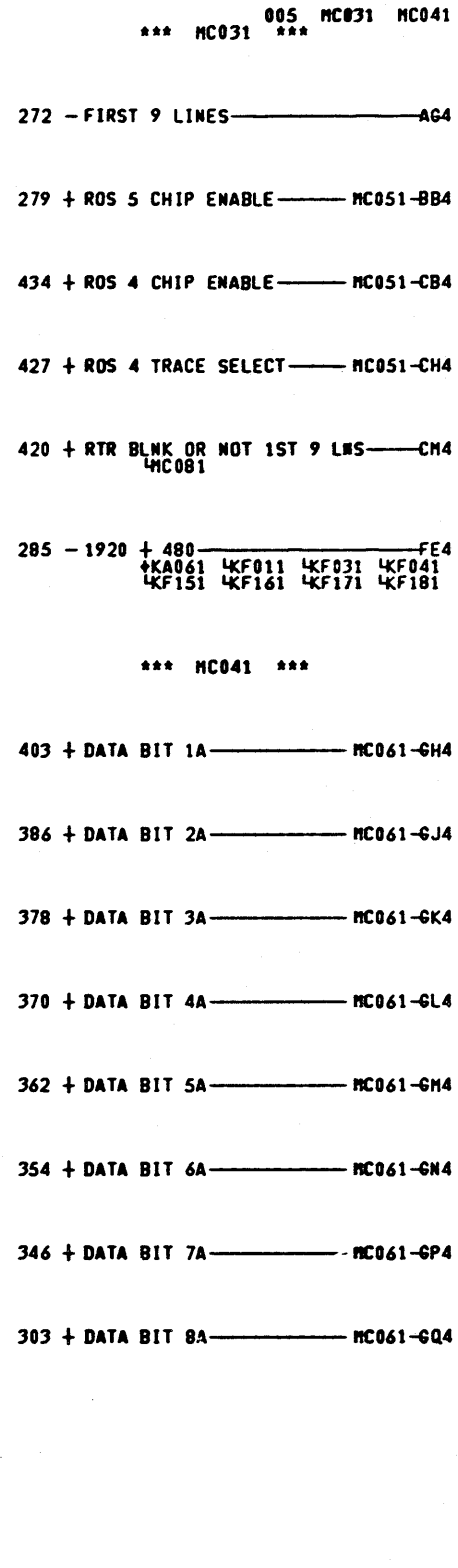
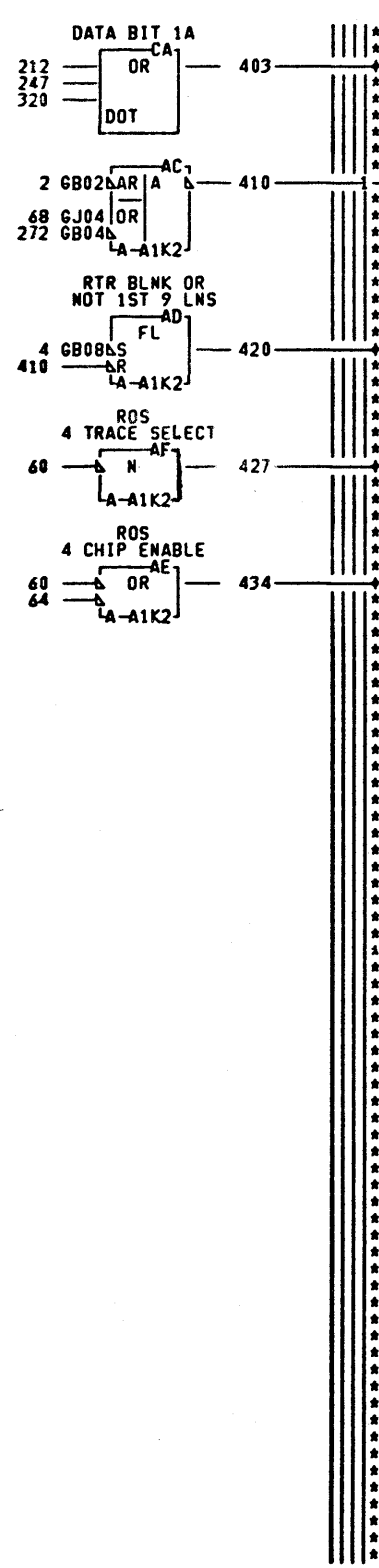
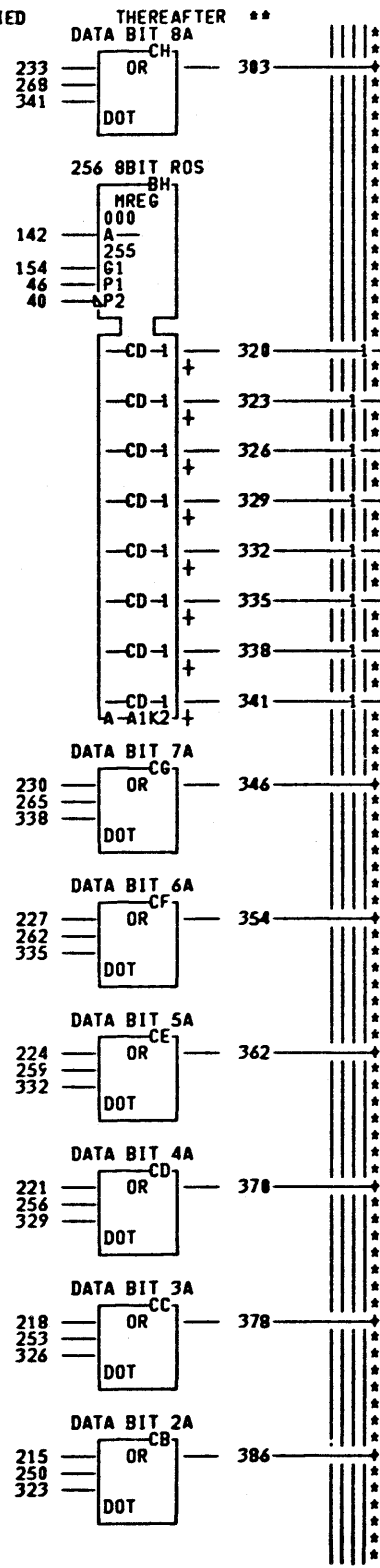
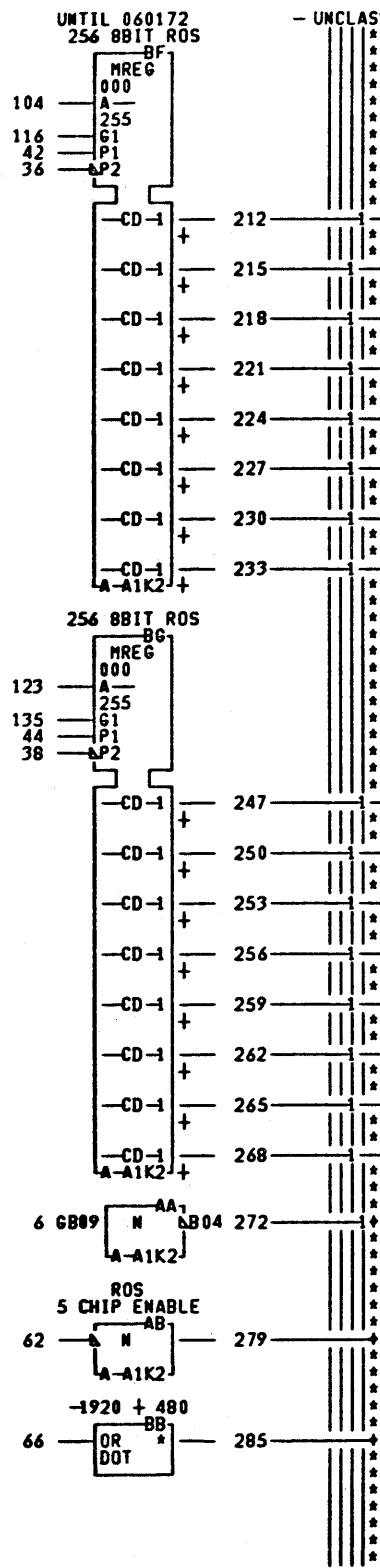
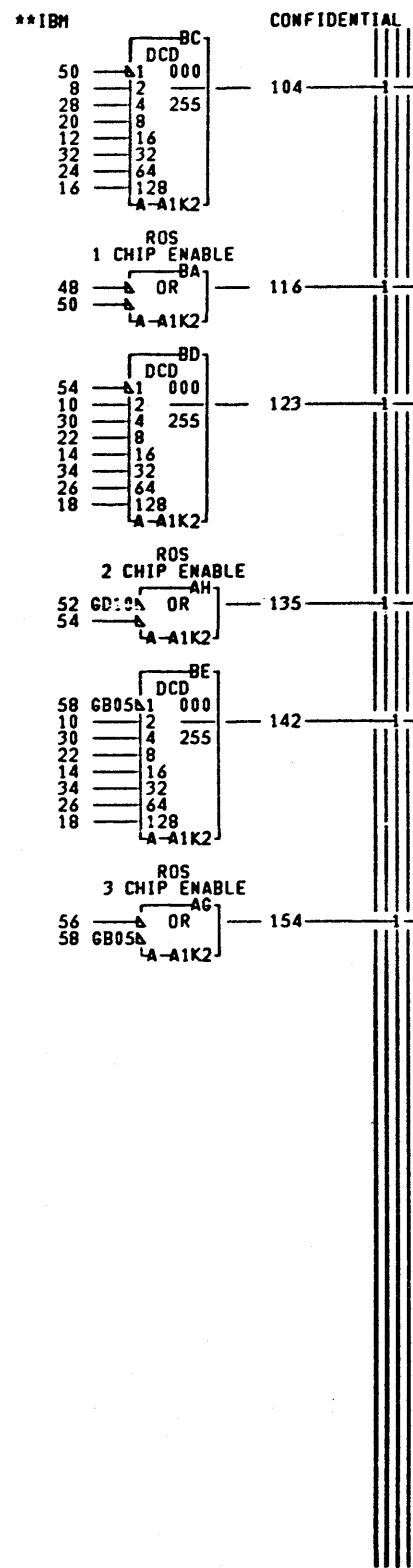
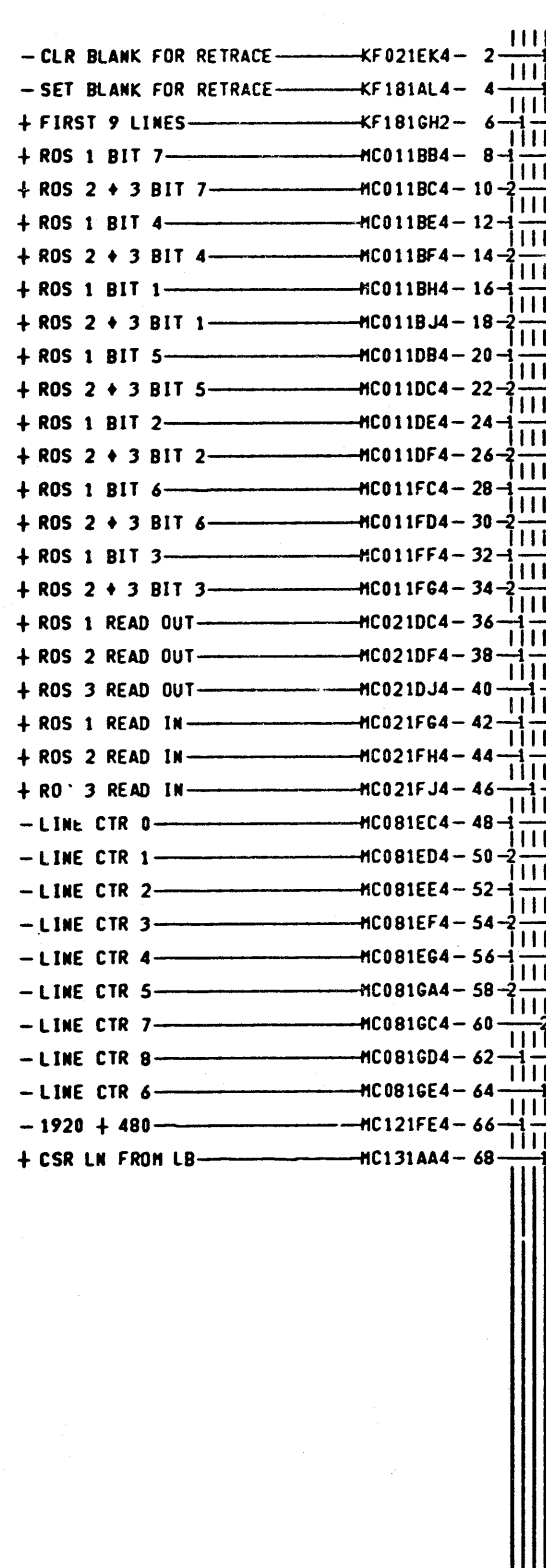
480 + 1920 CHAR. GEN.  
 KATAKANA OR EXTENDED CHAR SET  
 -E.C.-HISTORY-C-MACH.3277  
 717473  
 717492  
 717946  
 DATE LAST EC  
 10-02-72 718541  
 FRAME 01 MC011  
 IBM CORP. SDD MC021  
 P.N. 1023810 A15



A. NOTE SEE REFERENCE PAGE Z101 FOR CHARACTER GENERATOR CARDS  
 B. NOTE SEE REFERENCE PAGE Z101 FOR CHARACTER GENERATOR CARDS  
 MC031  
 MC041  
 000

LOC. TYPE  
 A-A1K2 9070  
 PAGE VER EC LEV  
 MC031 000 717492  
 MC041 000 717946

LINE BUFFER + CHAR. GEN.		
-E.C. HISTORY-	C-MACH.3277	
717473	FRAME 01	MC031
717492	IBM CORP.KN	MC041
DATE LAST EC	P.N. 1823811	000
08-05-72 717946		

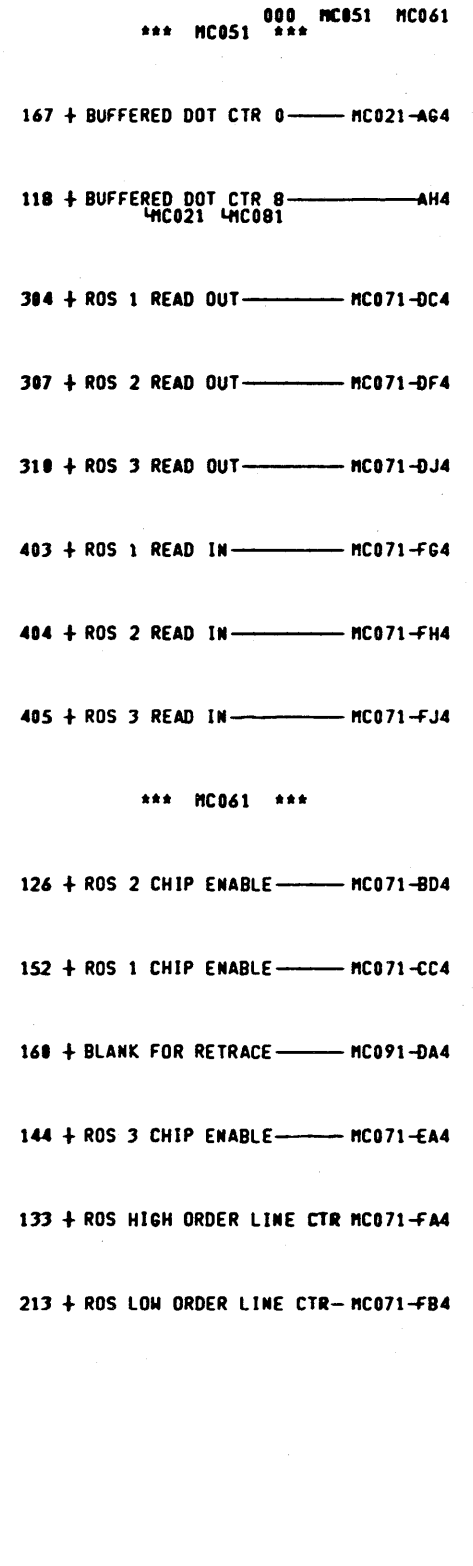
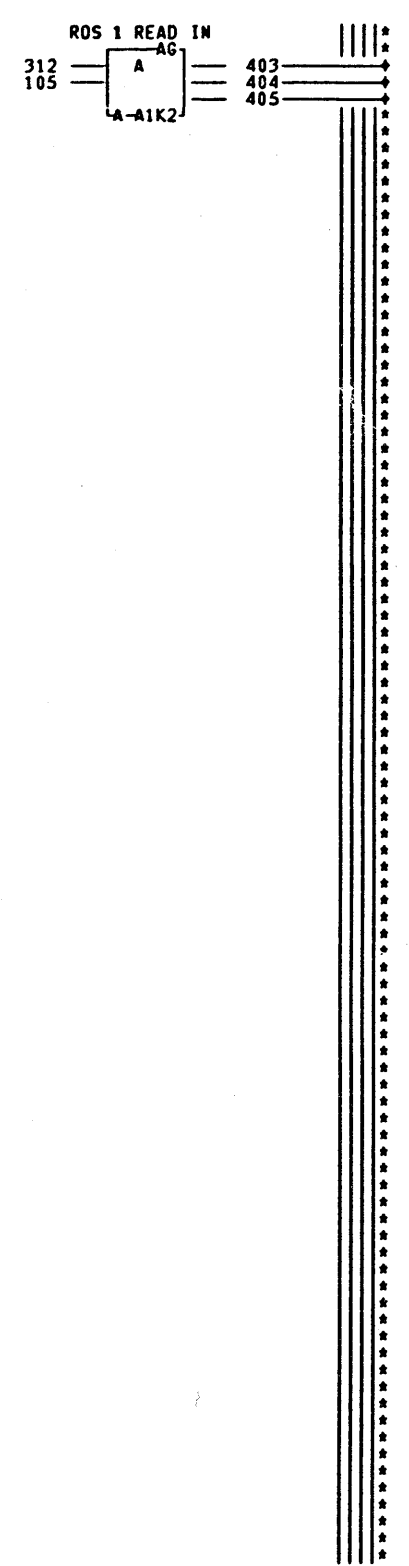
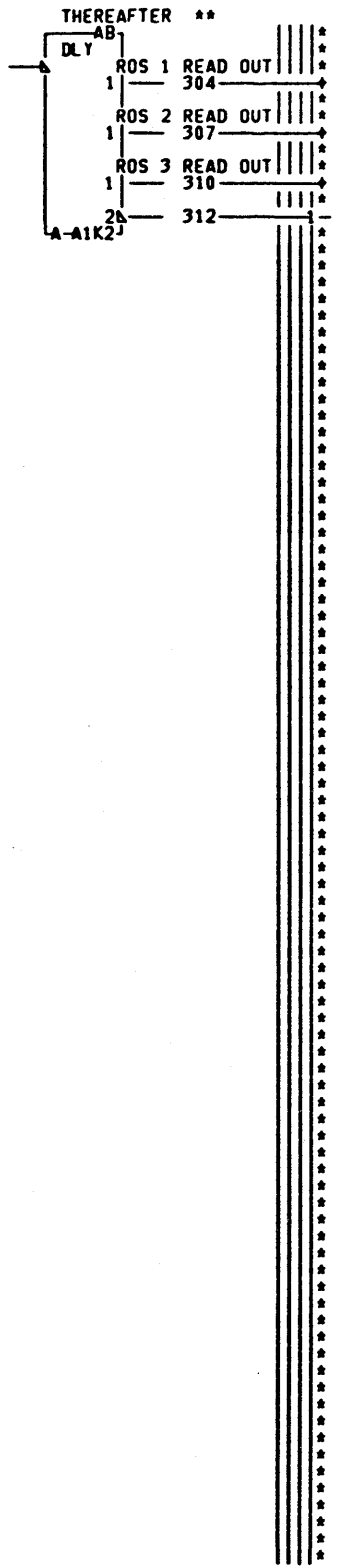
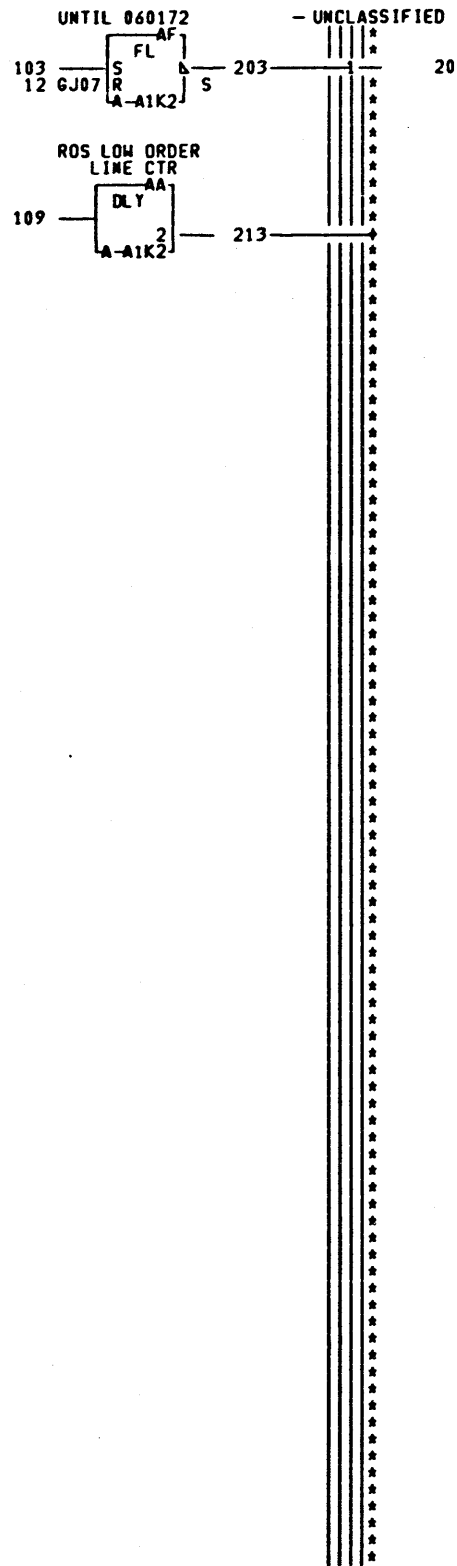
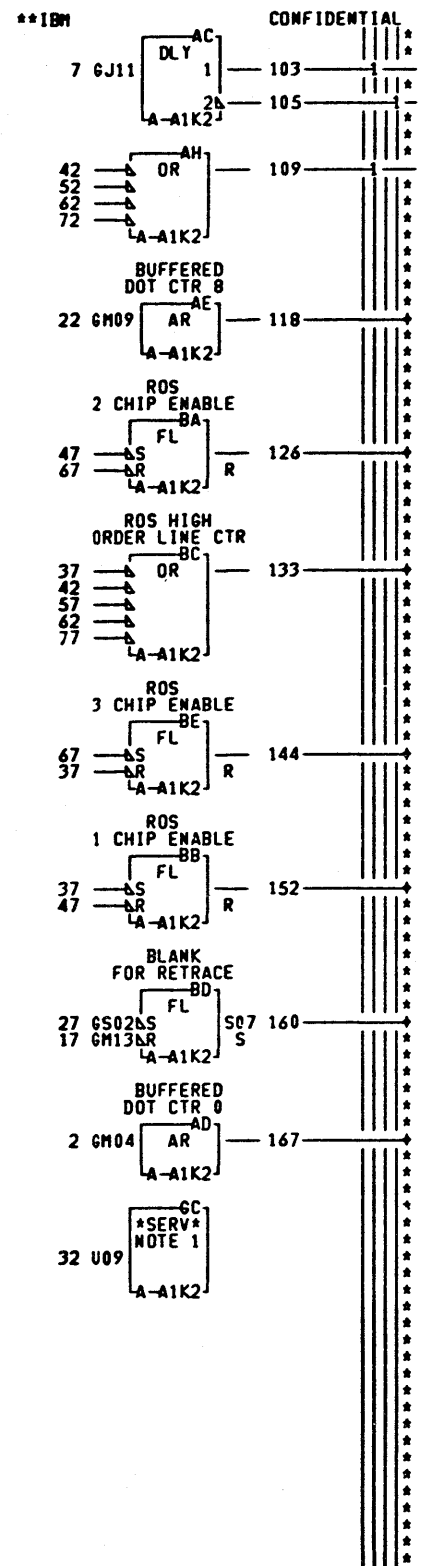
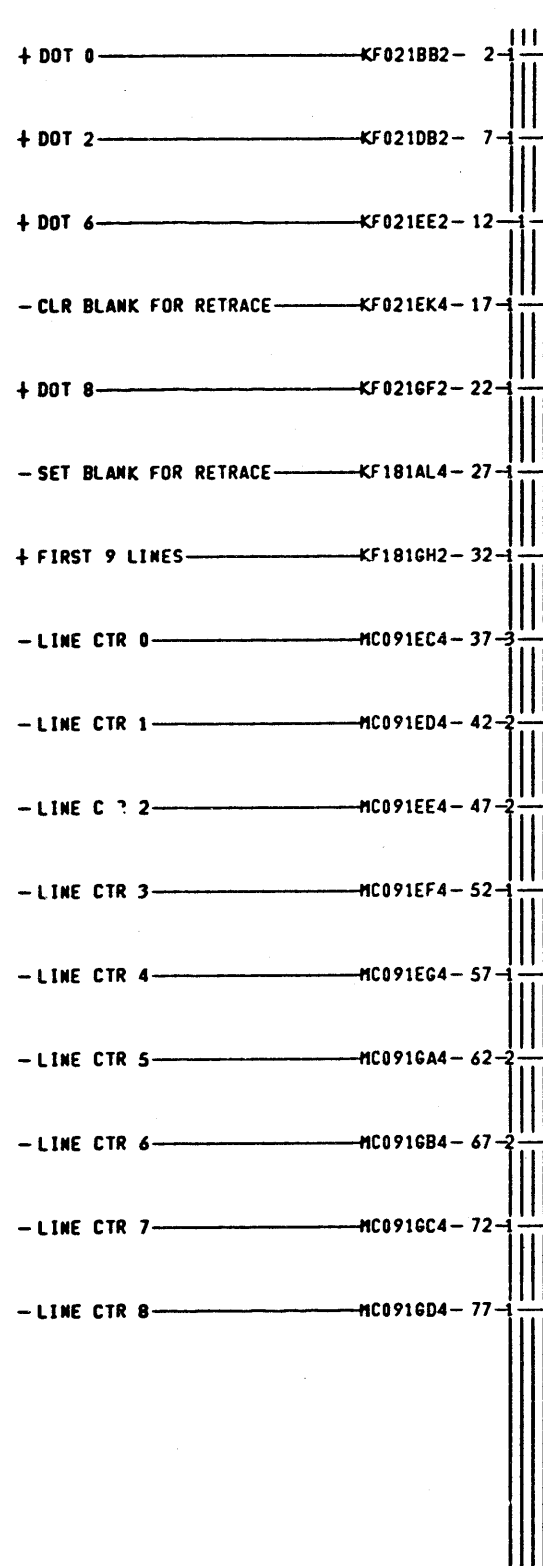


**A.NOTE** SEE REFERENCE PAGE 77101 FOR CHARACTER GENERATOR CARDS.  
**B.NOTE** SEE REFERENCE PAGE 77101 FOR CHARACTER GENERATOR CARDS.  
**MC031** SIM TO PM 1563784 EC 717492  
**MC041** SIM TO PM 1563785 EC 717946  
**005**

**LOC. TYPE**  
**A-A1K2 9123**

**PAGE VER EC LEV**  
**MC031 005 718541**  
**MC041 005 718541**

LINE BUFFER + CHAR. GEN.			
-E.C.-HISTORY-C1MACH.3277			
717473	FRAME	01	MC031
717492	IBM CORP.SDD		MC041
717946	P.N.	1823813	005
DATE	LAST EC		
10-02-72	718541		

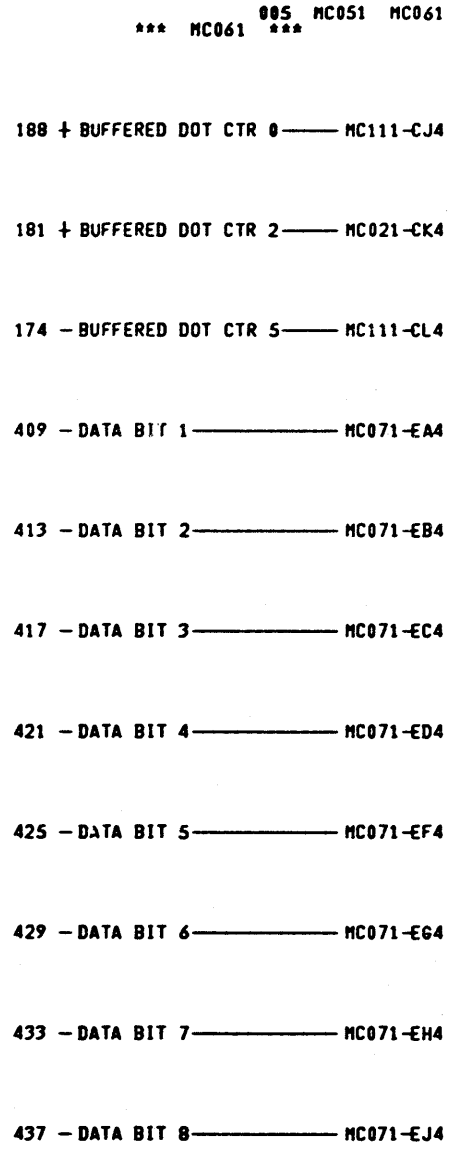
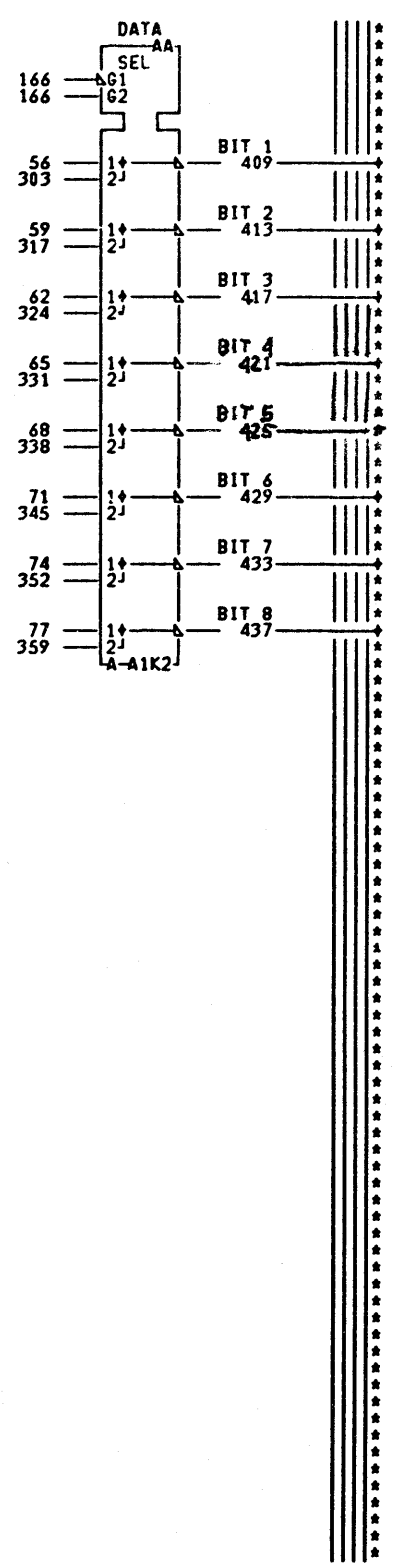
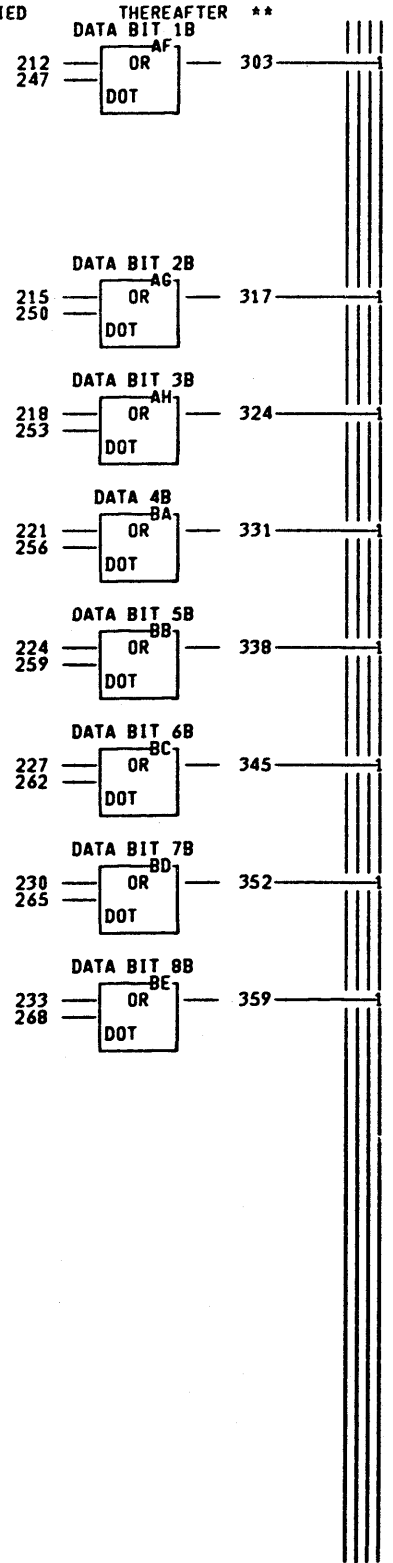
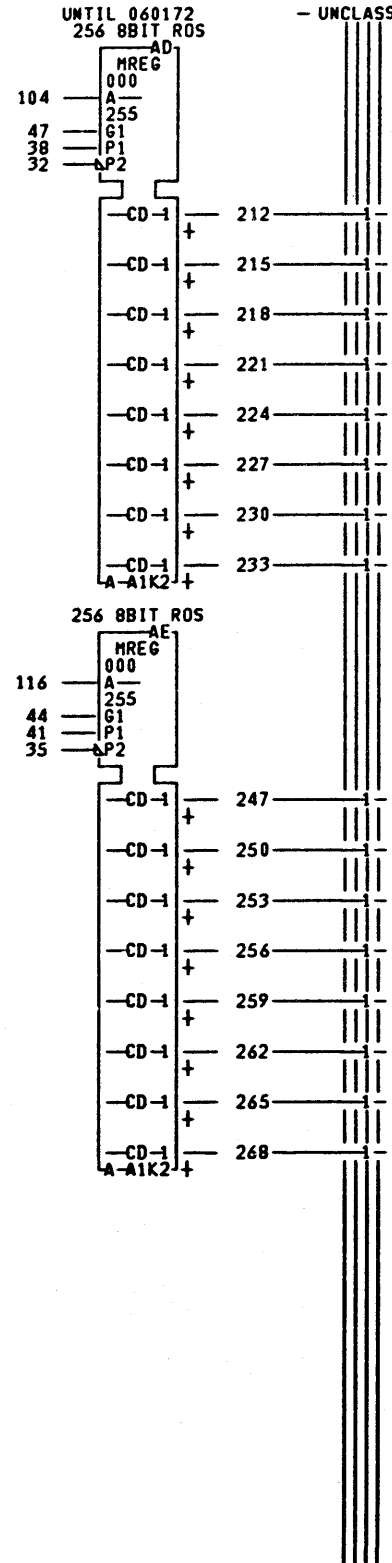
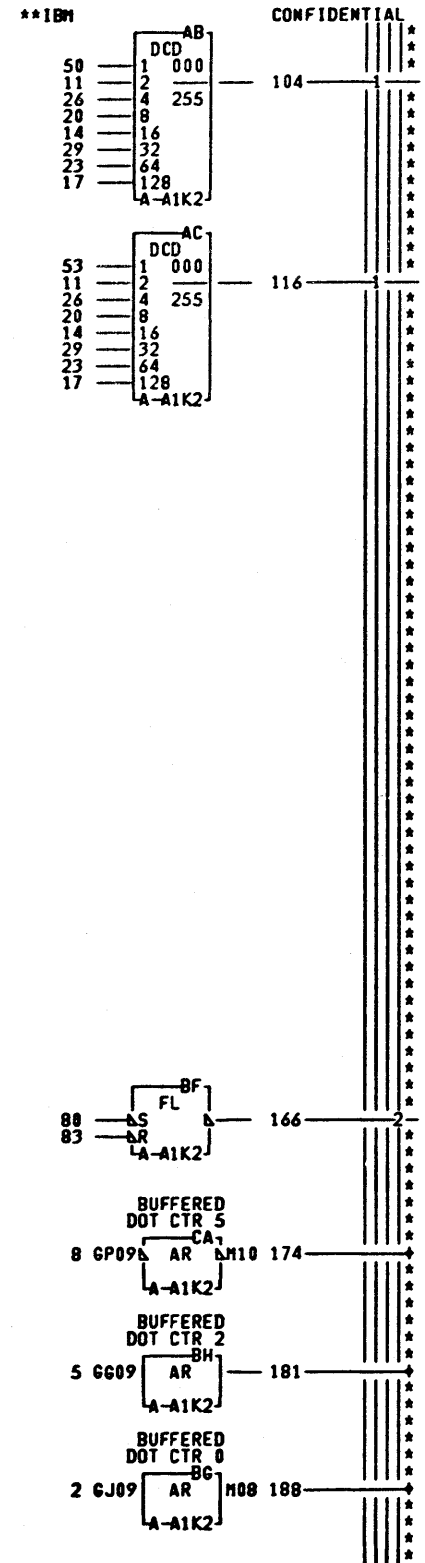
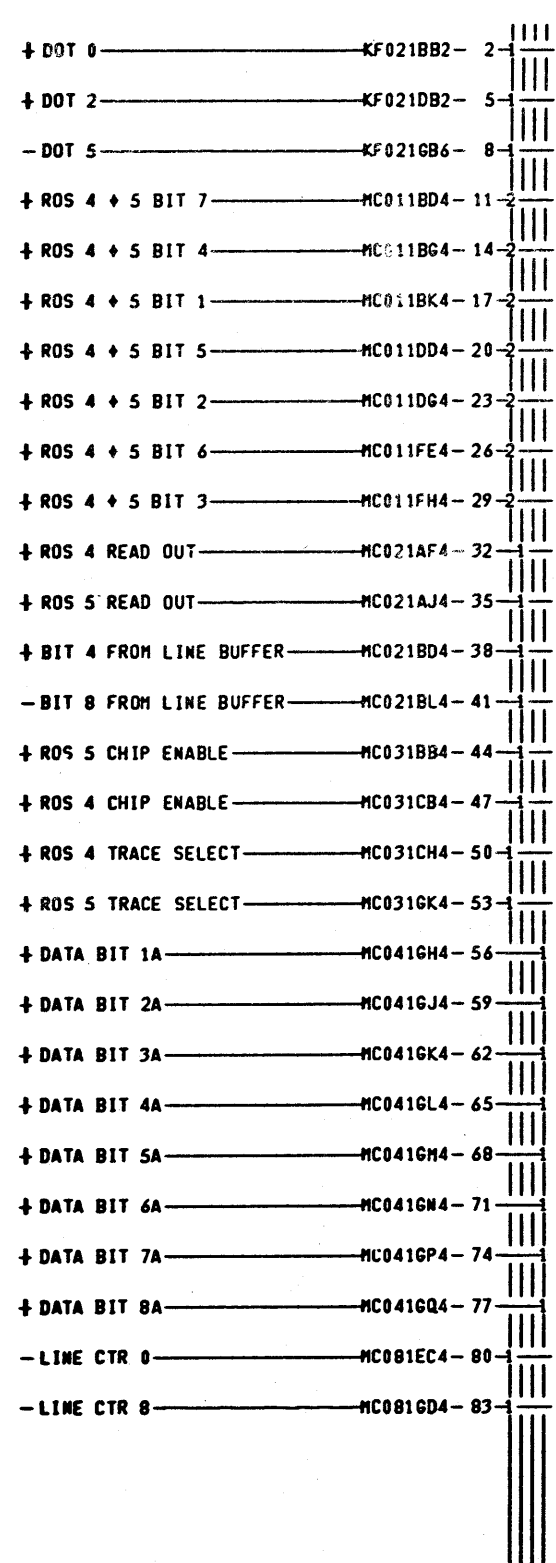


A. NOTE SEE REFERENCE PAGE ZZ101 FOR CHARACTER GENERATOR CARDS  
 B. NOTE 2 SEE REFERENCE PAGE ZZ101 FOR CHARACTER GENERATOR CARDS  
 MC051  
 MC061  
 000

LOC. TYPE  
 A-A1K2 9070

PAGE VER EC LEV  
 MC051 000 717492  
 MC061 000 717492

LINE BUFFER + CHAR. GEN.		
-E.C.-HISTORY—C-MACH.3277 717473		
FRAME 01	MC051	
DATE LAST EC	IBM CORP.KM	MC061
06-01-72 717492	P.N. 1823816	000

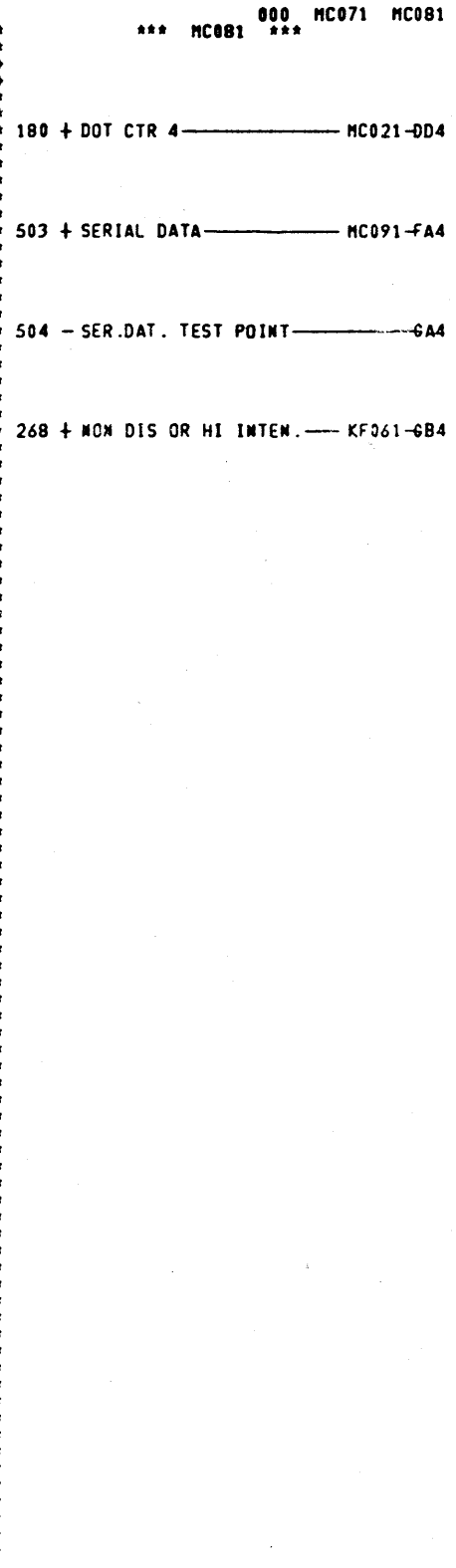
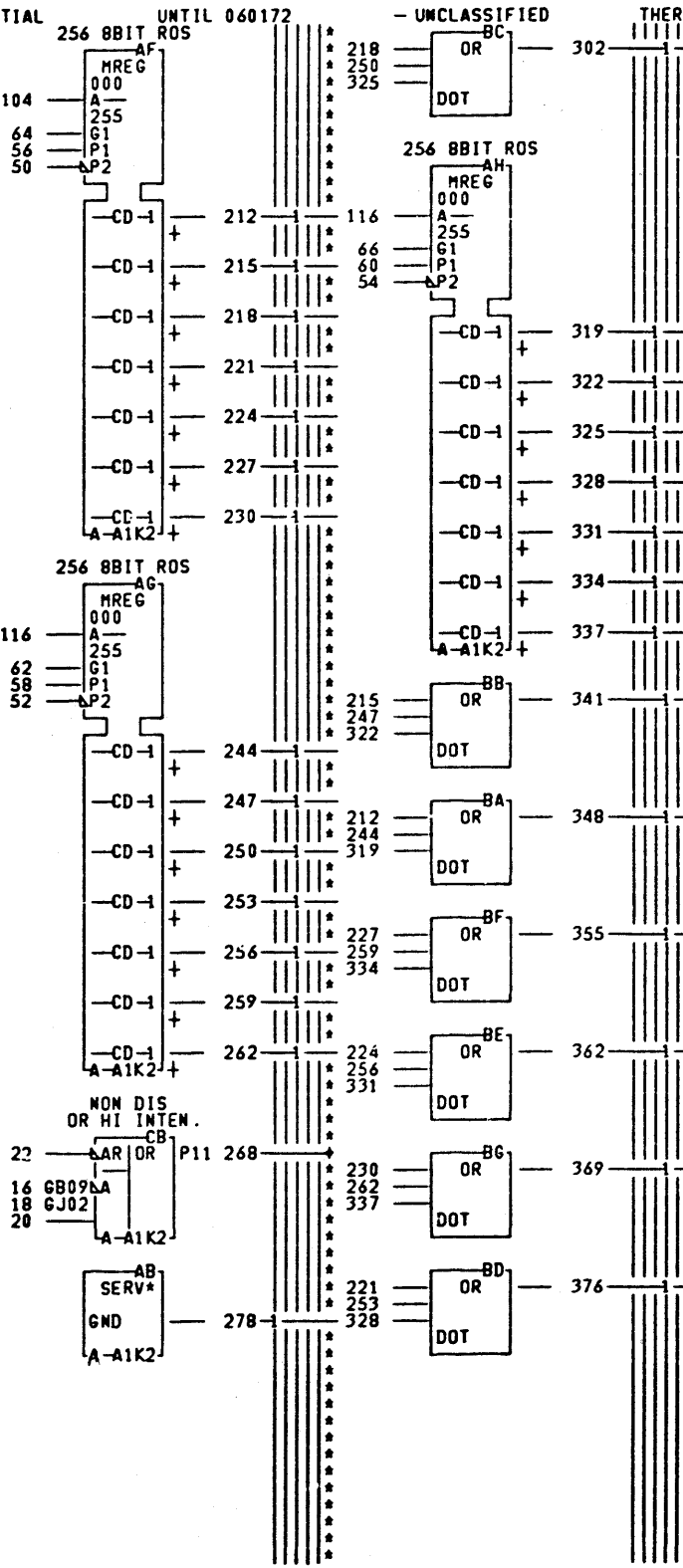
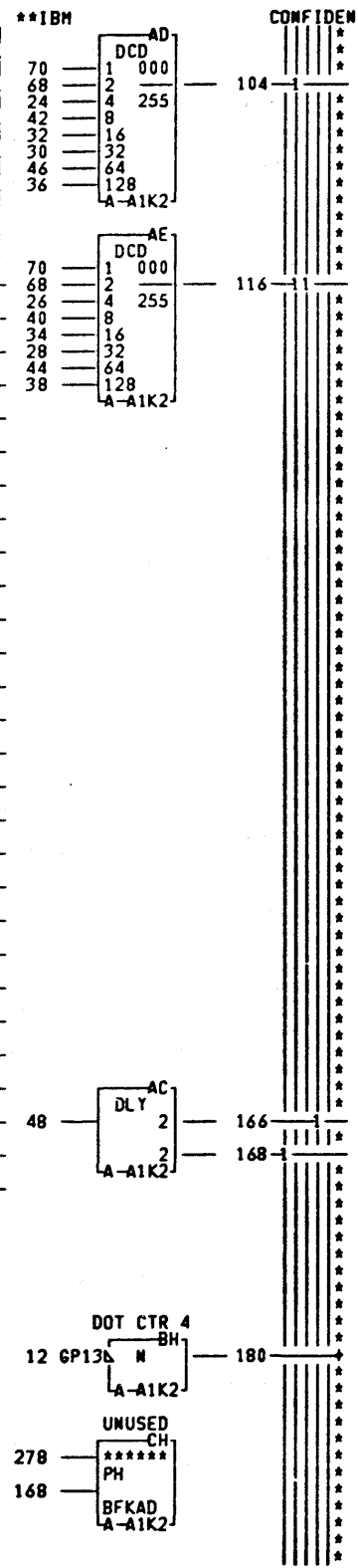
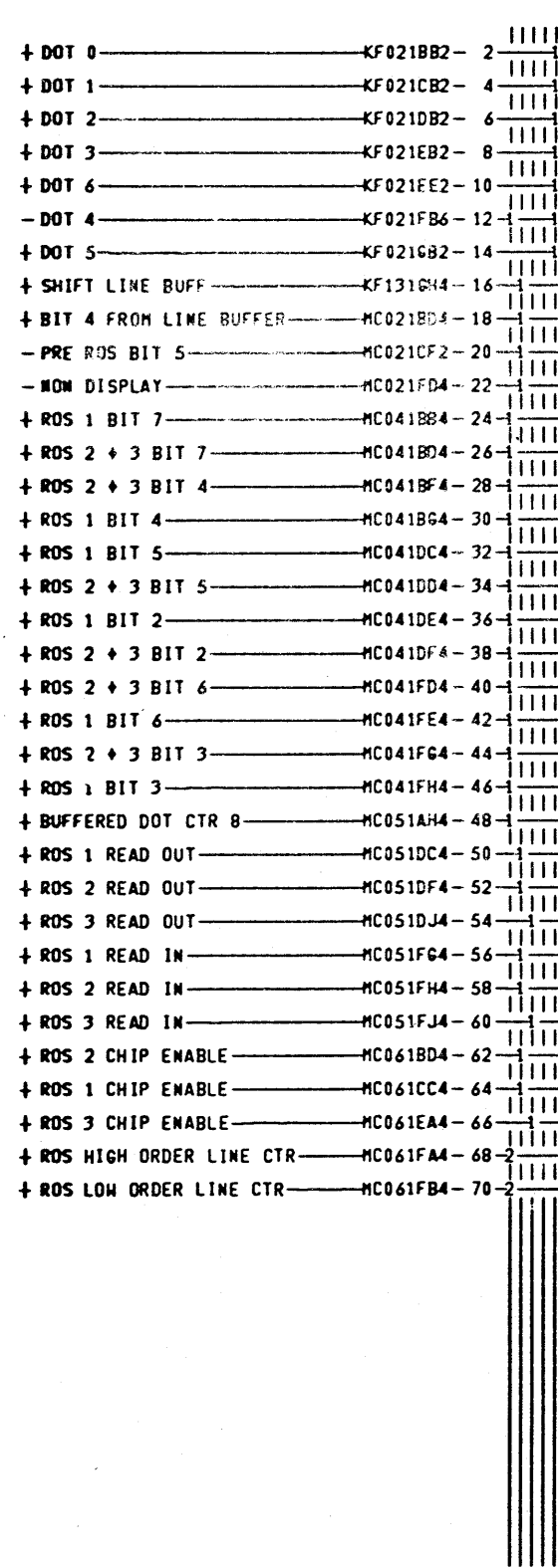


A.NOTE SEE REFERENCE PAGE Z7101 FOR CHARACTER GENERATOR CARDS.  
 SIM TO PM 1563786 EC 717492  
 B.NOTE SEE REFERENCE PAGE Z7101 FOR CHARACTER GENERATOR CARDS.  
 SIM TO PM 1563787 EC 717492  
 MC051  
 MC061  
 005

LOC. TYPE  
 A-A1K2 9123

PAGE VER EC LEV  
 MC051 005 718541  
 MC061 005 718541

480 + 1920 CHAR. GEN. KATAKANA OR EXTENDED CHAR SET -E.C.-HISTORY-C-MACH.3277		
717473	FRAME 01	MC051
717492		
717946	IBM CORP.SDD	MC061
DATE 10-02-72	LAST EC 718541	P.N. 1823818 005



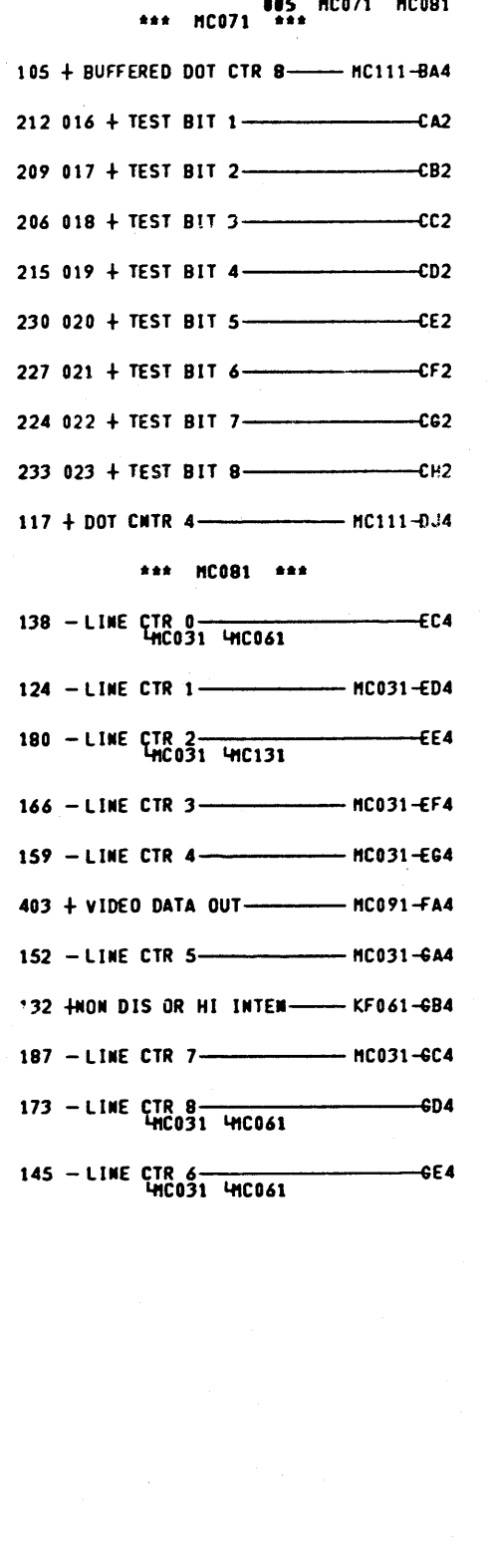
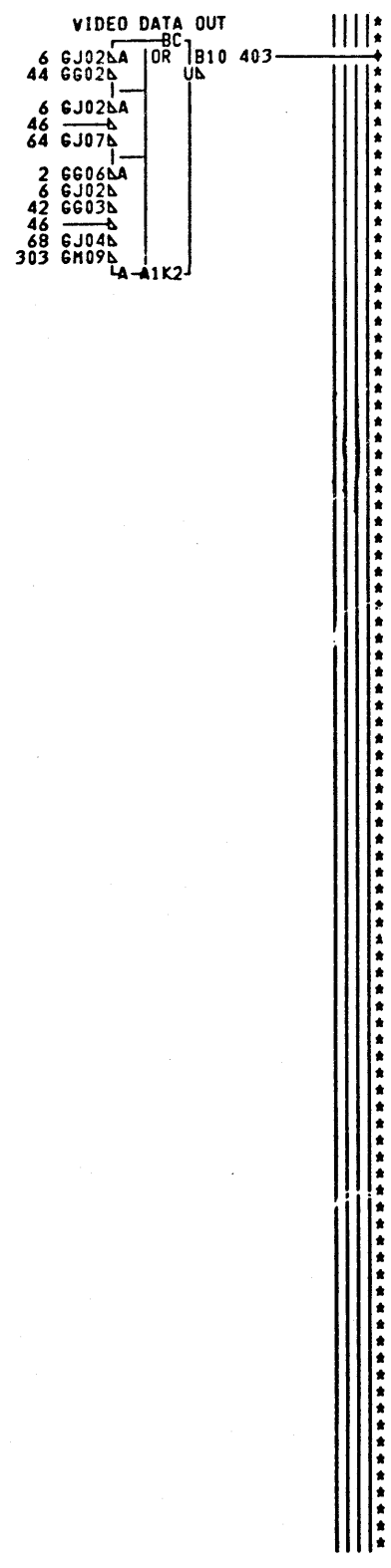
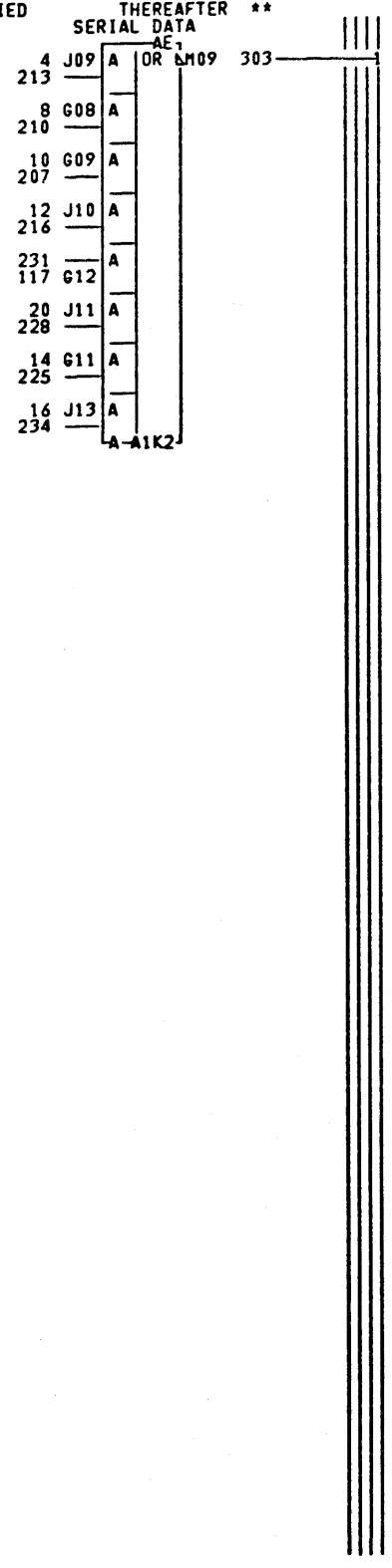
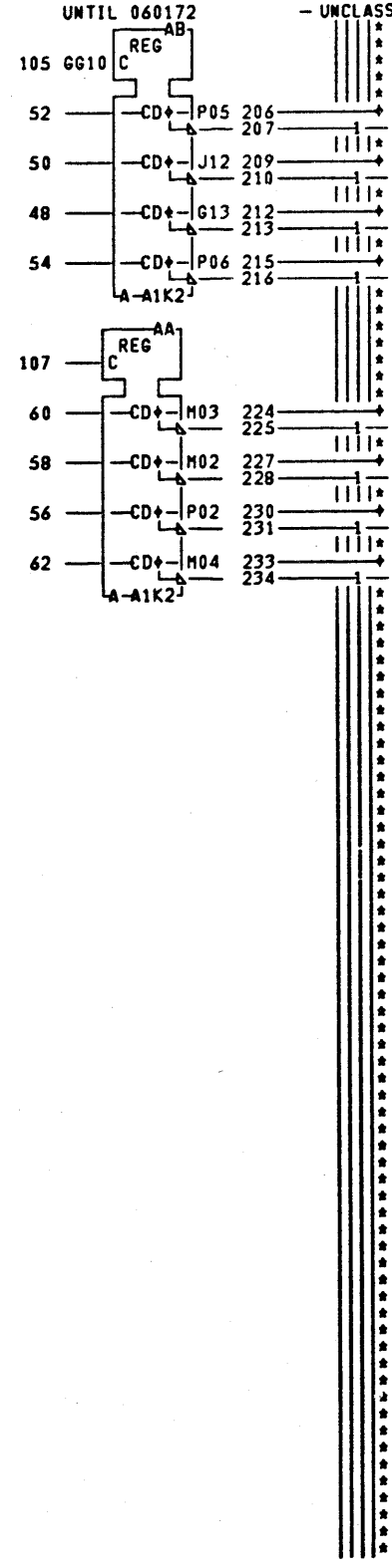
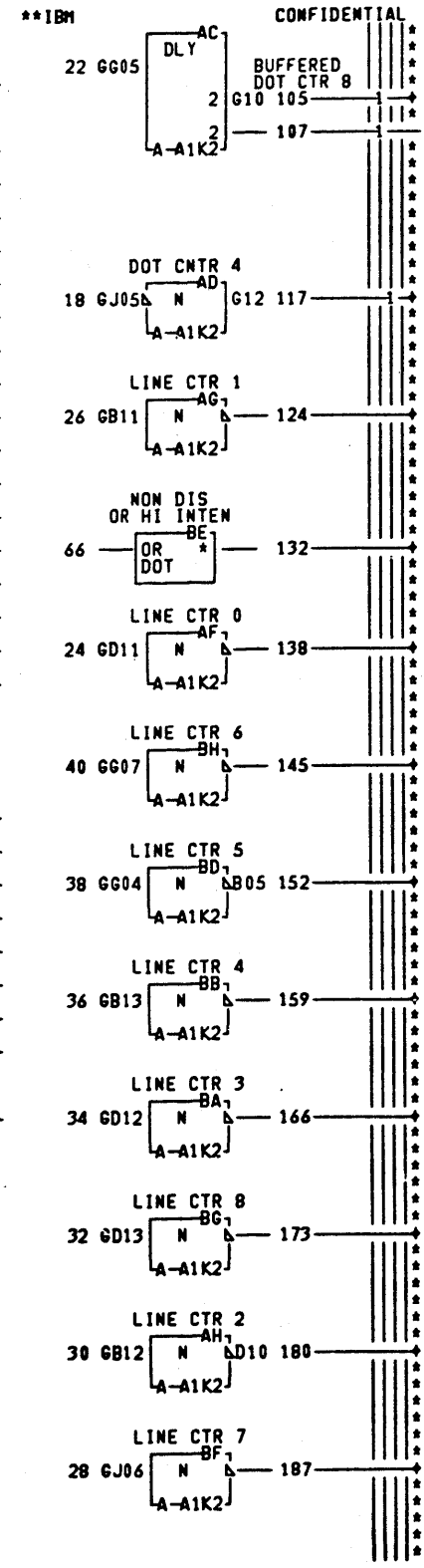
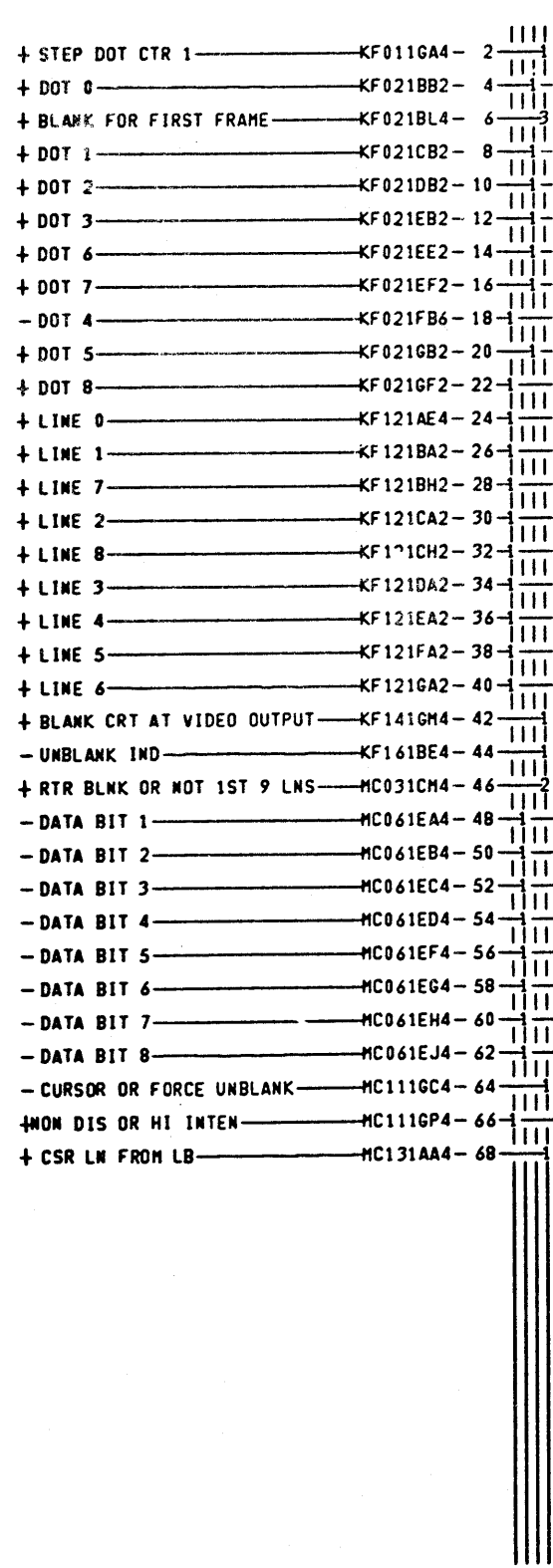
A. NOTE SEE REFERENCE PAGE ZZ101 FOR CHARACTER GENERATOR CARDS  
 B. NOTE SEE REFERENCE PAGE ZZ101 FOR CHARACTER GENERATOR CARDS

MC071  
 MC081  
 000

LOC. TYPE  
 A-A1K2 9070

PAGE VER EC LEV  
 MC071 000 717492  
 MC081 000 717946

LINE BUFFER + CHAR. GEN.	
-E.C.-HISTORY- 717473 717492	C-MACH.3277 FRAME 01 IBN CORP.KM P.N. 1823821
DATE 88-05-72	LAST EC 717946
	000



A.NOTE SEE REFERENCE PAGE ZZ101 FOR CHARACTER GENERATOR CARDS.  
 SIM TO PM 1563788 EC 717492  
 B.NOTE SEE REFERENCE PAGE ZZ101 FOR CHARACTER GENERATOR CARDS.  
 SIM TO PM 1563789 EC 717946  
 MC071  
 MC081  
 005

LOC. TYPE  
 A-A1K2 9123

PAGE VER EC LEV  
 MC071 005 718541  
 MC081 005 718541

480 + 1920 CHAR. GEN. KATAKANA OR EXTENDED CHAR SET	FRAME 01	MC071
-E.C.-HISTORY-C-MACH.3277	IBM CORP.KN	MC081
717473	DATE	LAST EC
716959	10-02-72	718541
717492	P.N.	1823823
717946		005

\*\*IBM

CONFIDENTIAL

UNTIL 060172

- UNCLASSIFIED THEREAFTER \*\*

000 MC091 MC091

+ STEP DOT CTR 1 ——— KF011GA4 — 2—

+ BLANK FOR FIRST FRAME ——— KF021BL4 — 7—

+ LINE 0 ——— KF121AE4 — 12—

+ LINE 1 ——— KF121BA2 — 17—

+ LINE 7 ——— KF121BH2 — 22—

+ LINE 2 ——— KF121CA2 — 27—

+ LINE 8 ——— KF121CH2 — 32—

+ LINE 3 ——— KF121DA2 — 37—

+ LINE 4 ——— KF121EA2 — 42—

+ LINE 5 ——— KF121FA2 — 47—

+ LINE 6 ——— KF121GA2 — 52—

+ BLANK CRT AT VIDEO OUTPUT ——— KF141GM4 — 57—

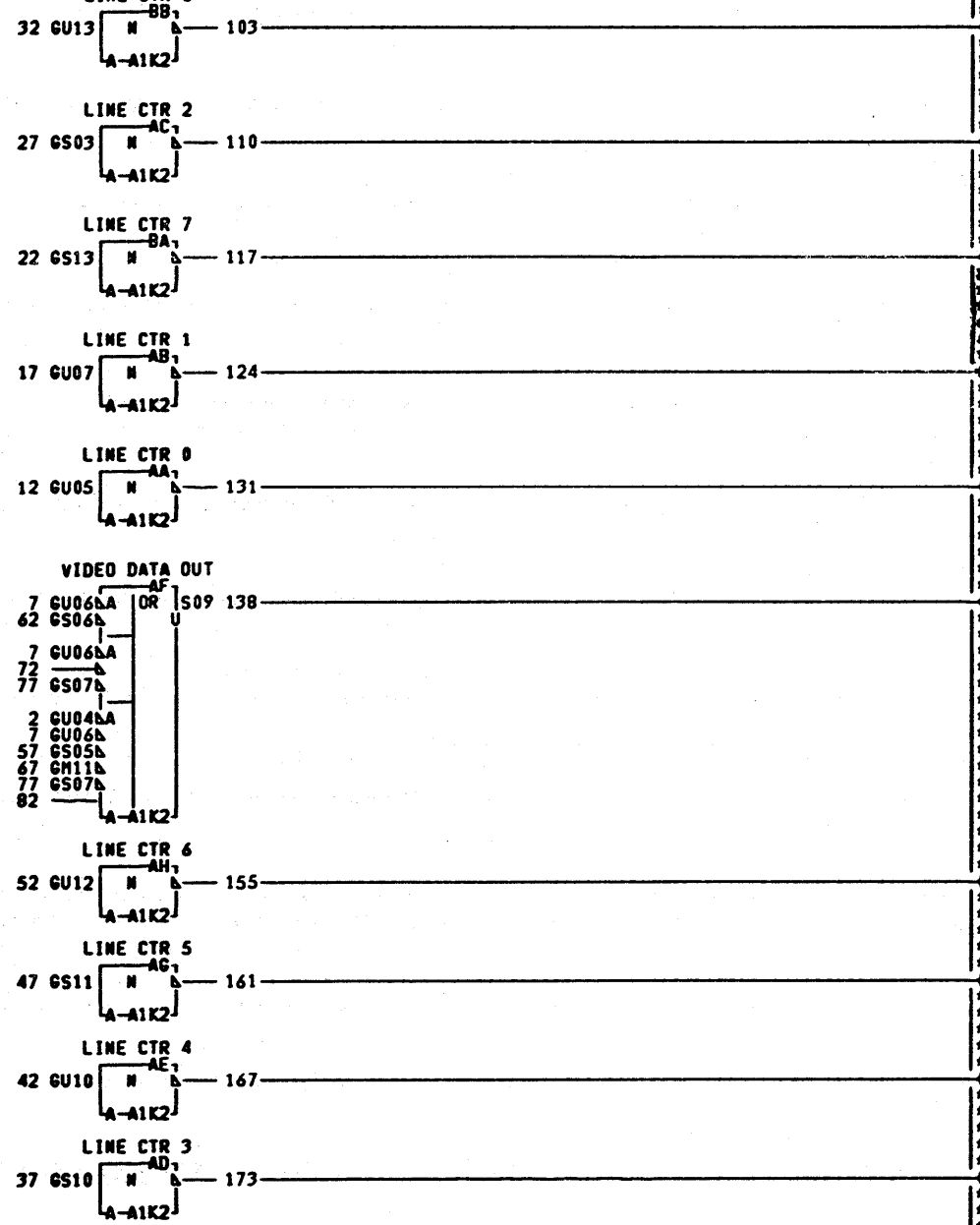
- UNBLANK IND ——— KF161BE4 — 62—

+ CSR LINE ——— KF181FD4 — 67—

- CURSOR OR FORCE UNBLANK ——— MC021GC4 — 72—

+ BLANK FOR RETRACE ——— MC061DA1 — 77—

+ SERIAL DATA ——— MC081FA4 — 82—



131 - LINE CTR 0 ——— MC061-EC4

124 - LINE CTR 1 ——— MC061-ED4

110 - LINE CTR 2 ——— MC061-EE4

173 - LINE CTR 3 ——— MC061-EF4

167 - LINE CTR 4 ——— MC061-EG4

138 + VIDEO DATA OUT ——— KF201-FA4

161 - LINE CTR 5 ——— MC061-GA4

155 - LINE CTR 6 ——— MC061-GB4

117 - LINE CTR 7 ——— MC061-GC4

103 - LINE CTR 8 ——— MC061-GD4

A: NOTE SEE REFERENCE PAGE  
ZZ101 FOR CHARACTER GENERATOR  
CARDS

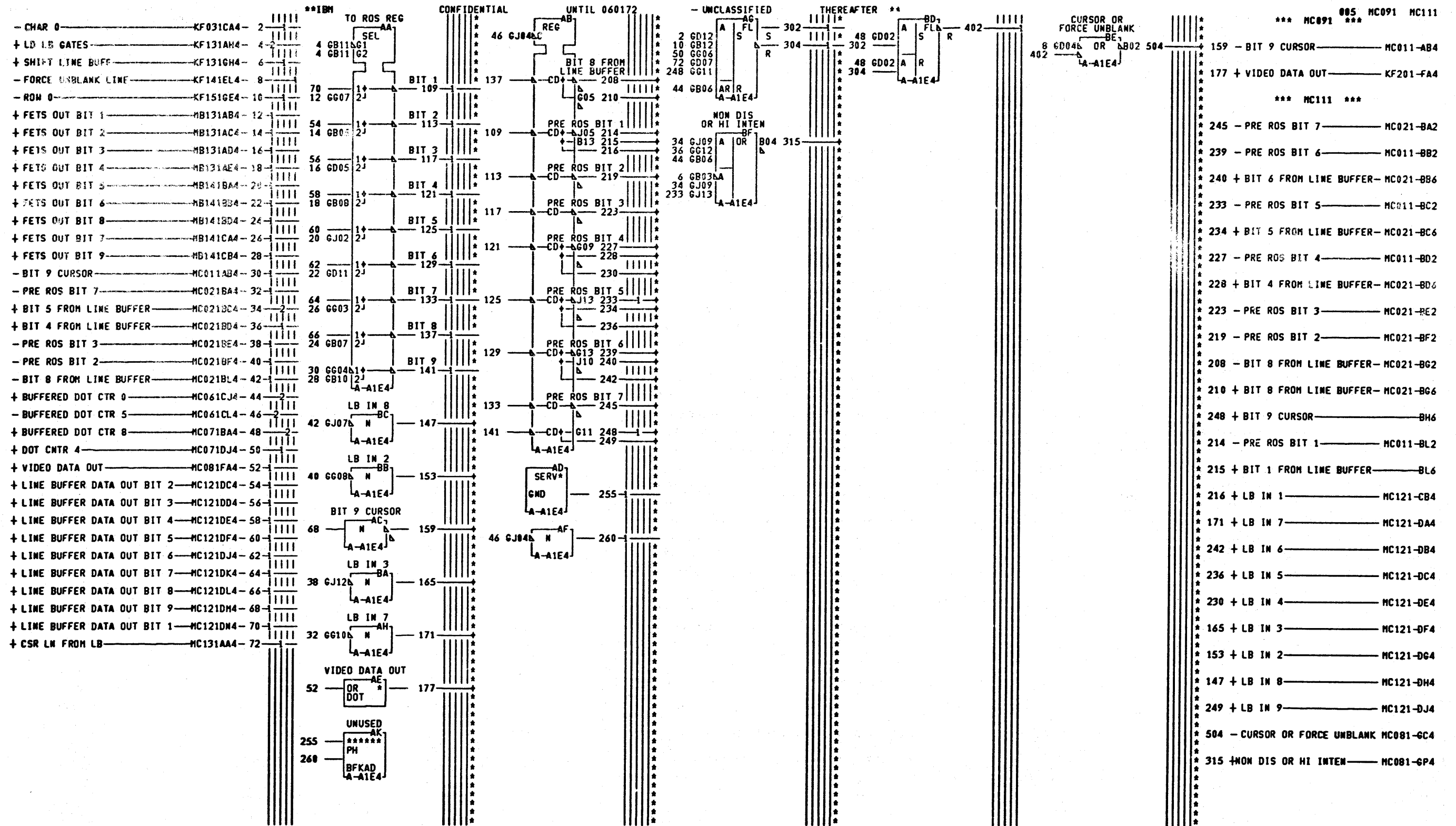
LOC. TYPE  
A-A1K2 9070

PAGE VER EC LEV  
MC091 000 717946

MC091  
MC091  
000

LINE BUFFER + CHAR. GEN.			
-E.C.-HISTORY-		C-MACH.3277	
717473			
717492		FRAME 01	MC091
		IBM CORP.KN	MC091
DATE LAST EC		P.N. 1823826	000
08-05-72	717946		





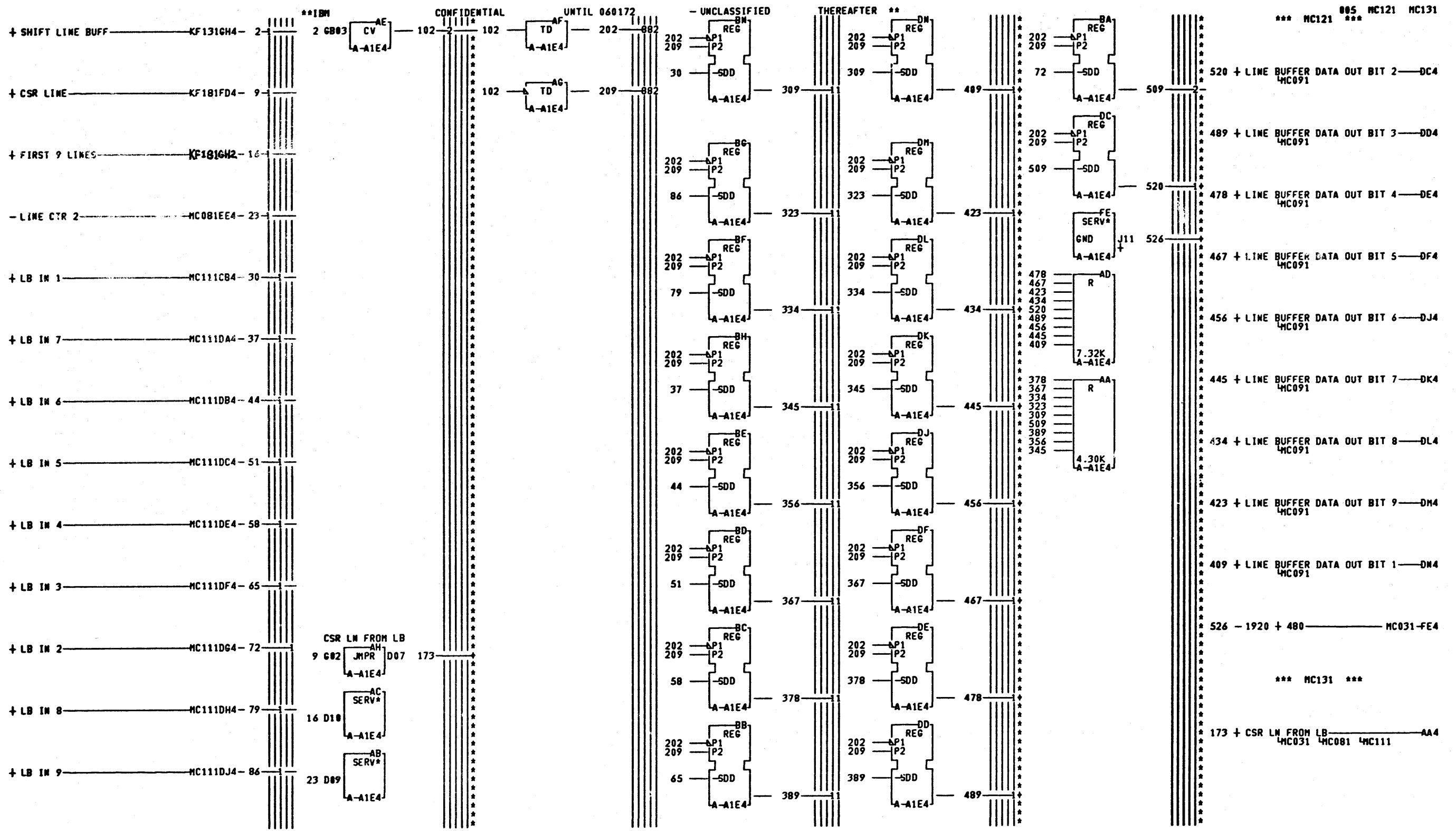
A. NOTE SEE REFERENCE PAGE ZZ101 FOR CHARACTER GENERATOR CARDS.  
 B. NOTE SEE REFERENCE PAGE ZZ101 FOR CHARACTER GENERATOR CARDS.

MC091  
 MC111  
 005

LOC. TYPE  
 A-A1E4 2227

PAGE VER EC LEV  
 MC091 005 717946  
 MC111 005 717946

LINE BUFFER + CHAR. GEN.	
-E.C.-HISTORY- 717473 716959 717492	C-NACH.3277 FRAME 01 MC091 IBN CORP.SDD MC111 P.N. 1023028 005
DATE LAST EC 08-05-72 717946	



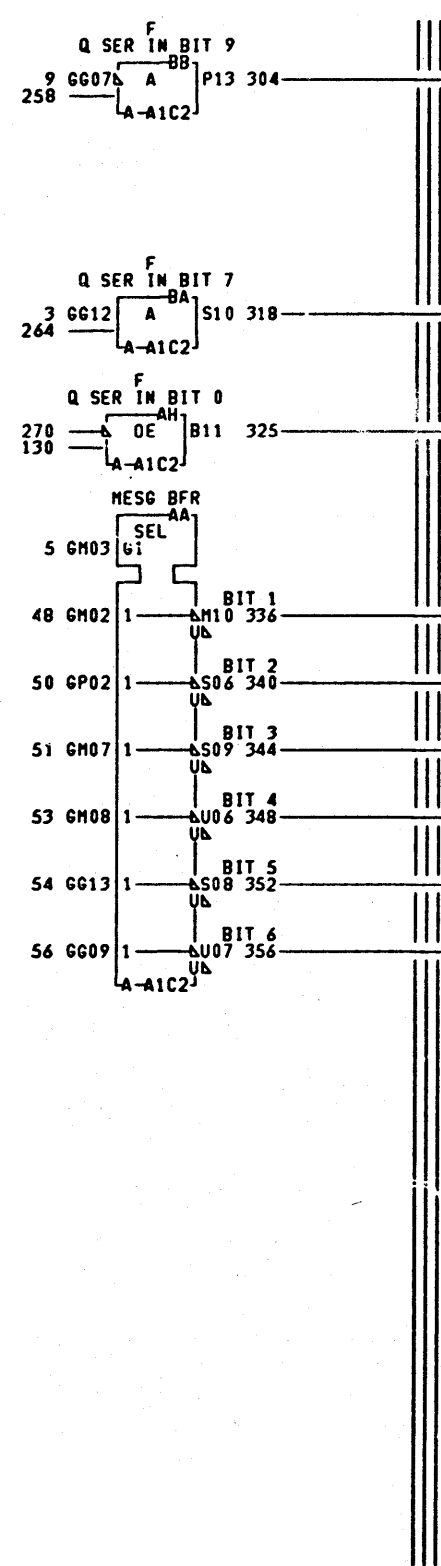
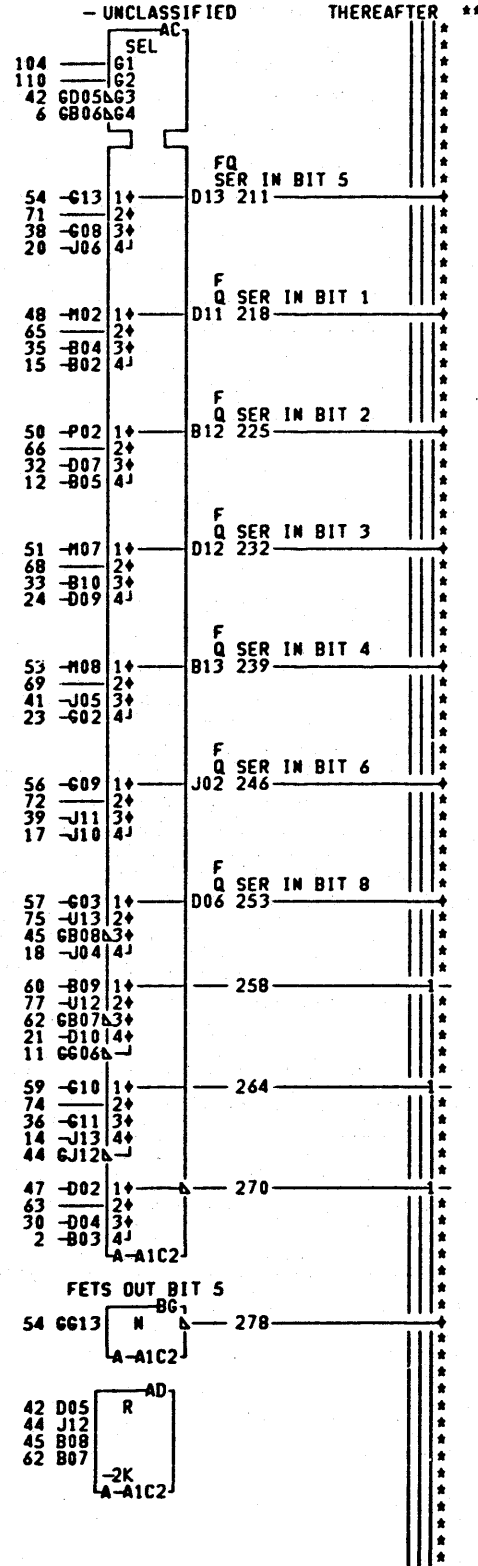
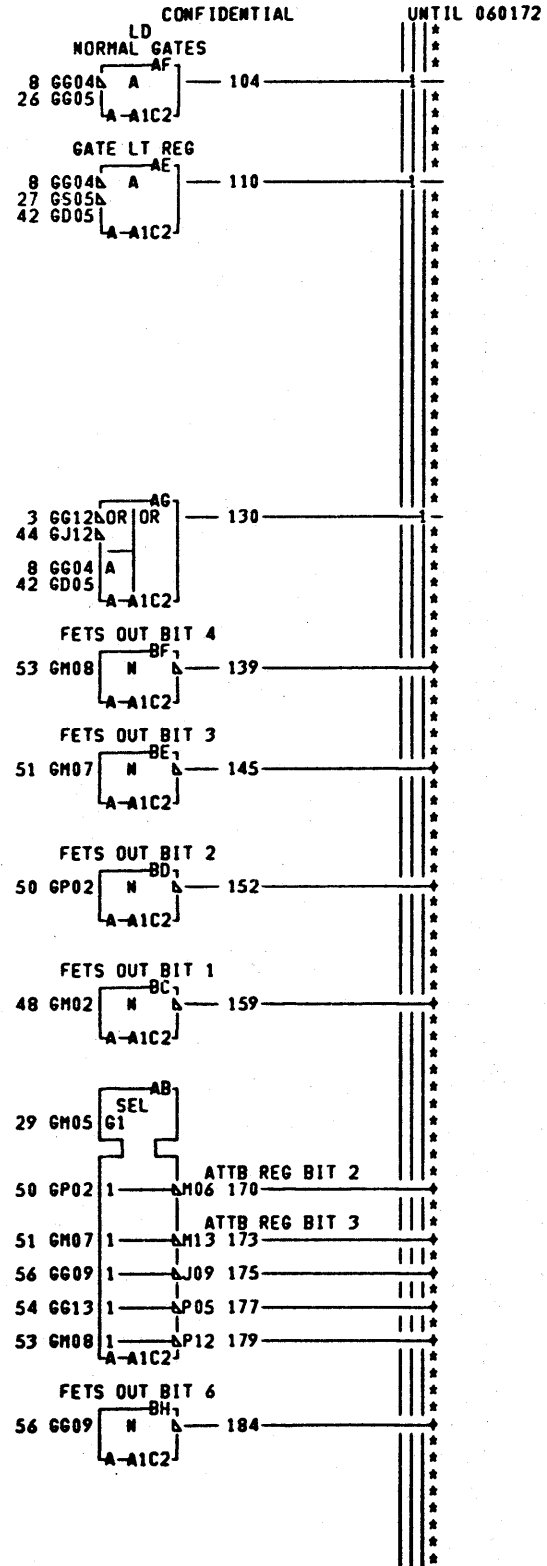
A.NOTE SEE REFERENCE PAGE ZZ101 FOR CHARACTER GENERATOR CARDS.  
 B.NOTE SEE REFERENCE PAGE ZZ101 FOR CHARACTER GENERATOR CARDS.  
 MC121  
 MC131  
 005

LOC. TYPE A-A1E4 2227  
 PAGE VER EC LEV  
 MC121 005 717946  
 MC131 005 717492

1920 LINE BUFFER EXTENDED CHAR SETS		
E.C. HISTORY	C	MACH.3277
717473		
716959	FRAME	01 MC121
717492	IBM CORP.	SDD MC131
DATE LAST EC	P.N.	1823831 005
08-05-72	717946	

+ INPUT PARITY PREDICT KA011GK4- 2-111  
 - DELETE MDT BIT 7 KA031GH4- 3-1-1  
 + LOAD MESSAGE BUFFER KA051FG4- 5-1-1  
 - LOAD I/O DATA KA071AE4- 6-1-1  
 + INSERT NULL KA081DB4- 8-3-111  
 - DELETE CSR BIT 9 KA081DG4- 9-1-1  
 + INSERT CURSOR NORM KA081EF4- 11-1-1  
 - SR BIT 6 KA121BH2- 12-1-1  
 + SR BIT 11 KA121CC2- 14-1-1  
 - SR BIT 5 KA121CH2- 15-1-1  
 + SR BIT 10 KA121DC2- 17-1-1  
 - SR BIT 4 KA121DH2- 18-1-1  
 + SR BIT 9 KA121EC2- 20-1-1  
 - SR BIT 3 KA121EH2- 21-1-1  
 + SR BIT 8 KA121FC2- 23-1-1  
 - SR BIT 7 KA121GC2- 24-1-1  
 + NORMAL GATES KF051FH4- 26-1-1  
 - LOAD LATE REG KF051FJ4- 27-1-1  
 + LD ATB REG FROM FETS KF131DE4- 29-1-1  
 - KB P BIT TO BUFF KM021AR4- 30-1-1  
 + KEYBD BIT 2 KM021BR4- 32-1-1  
 - KEYBD BIT 3 KM021BS4- 33-1-1  
 + KEYBD BIT 1 KM021BT4- 35-1-1  
 - KEYB BIT 7 KM031BF4- 36-1-1  
 + KEYB BIT 5 KM031BG4- 38-1-1  
 - KEYBD BIT 6 KM031BH4- 39-1-1  
 + KEYBD BIT 4 KM031BJ4- 41-1-1  
 - LD KB TO FETS KM111AR4- 42-2-2  
 - MDT LD BIT 7 KM121AG4- 44-1-2  
 - FS KR021AM2- 45-2-2  
 + FETS OUT BIT 0 MB131AA4- 47-1-1  
 - FETS OUT BIT 1 MB131AB4- 48-1-1  
 + FETS OUT BIT 2 MB131AC4- 50-2-11  
 - FETS OUT BIT 3 MB131AD4- 51-2-11  
 + FETS OUT BIT 4 MB131AE4- 53-2-11  
 - FETS OUT BIT 5 MB141BA4- 54-1-21  
 + FETS OUT BIT 6 MB141BB4- 56-2-11  
 - FETS OUT BIT 8 MB141BD4- 57-1-1  
 + FETS OUT BIT 7 MB141CA4- 59-1-1  
 - FETS OUT BIT 9 MB141CB4- 60-1-1  
 - FS MG021O32- 62-2-2  
 + LATE REG BIT 0 MG051EA2- 63-1-1  
 + LATE REG BIT 1 MG051EB2- 65-1-1  
 - LATE REG BIT 2 MG051EC2- 66-1-1  
 + LATE REG BIT 3 MG051ED2- 68-1-1  
 - LATE REG BIT 4 MG061CA2- 69-1-1  
 + LATE REG BIT 5 MG061CB2- 71-1-1  
 - LATE REG BIT 6 MG061CD2- 72-1-1  
 + LATE REG BIT 7 MG061CE2- 74-1-1  
 - LATE REG BIT 8 MG061CF2- 75-1-1  
 + LATE REG BIT 9 MG061CH2- 77-1-1

\*\*IBM



\*\*\* MG011 001 MG011 MG031 \*\*\*  
 218 + F Q SER IN BIT 1 MB011-ED4  
 225 + F Q SER IN BIT 2 MB011-EG4  
 232 + F Q SER IN BIT 3 MB011-EJ4  
 239 + F Q SER IN BIT 4 MB011-EL4  
 325 + F Q SER IN BIT 0 MB011-GC4  
 \*\*\* MG021 \*\*\*  
 211 + FQ SER IN BIT 5 MB021-FB4  
 246 + F Q SER IN BIT 6 MB021-FD4  
 253 + F Q SER IN BIT 8 FJ4  
 KM121 MB021  
 318 + F Q SER IN BIT 7 GF4  
 KM121 MB021  
 304 + F Q SER IN BIT 9 MB021-GL4  
 \*\*\* MG031 \*\*\*  
 159 - FETS OUT BIT 1 AA4  
 MG041 MG051  
 152 - FETS OUT BIT 2 AB4  
 MG041 MG051  
 145 - FETS OUT BIT 3 AC4  
 MG041 MG051  
 139 - FETS OUT BIT 4 AD4  
 MG041 MG061  
 278 - FETS OUT BIT 5 AE4  
 MG041 MG061  
 184 - FETS OUT BIT 6 AF4  
 MG041 MG061  
 336 - MSG BFR BIT 1 KA111-BA4  
 340 - MSG BFR BIT 2 KA111-BB4  
 344 - MSG BFR BIT 3 KA111-BC4  
 348 - MSG BFR BIT 4 KA111-BD4  
 352 - MSG BFR BIT 5 KA111-BE4  
 356 - MSG BFR BIT 6 KA111-BF4  
 170 - ATTB REG BIT 2 KF071-CA4  
 173 - ATTB REG BIT 3 KF071-CB4  
 179 - ATTB REG BIT 4 CD4  
 177 - ATTB REG BIT 5 CE4  
 175 - ATTB REG BIT 6 CF4

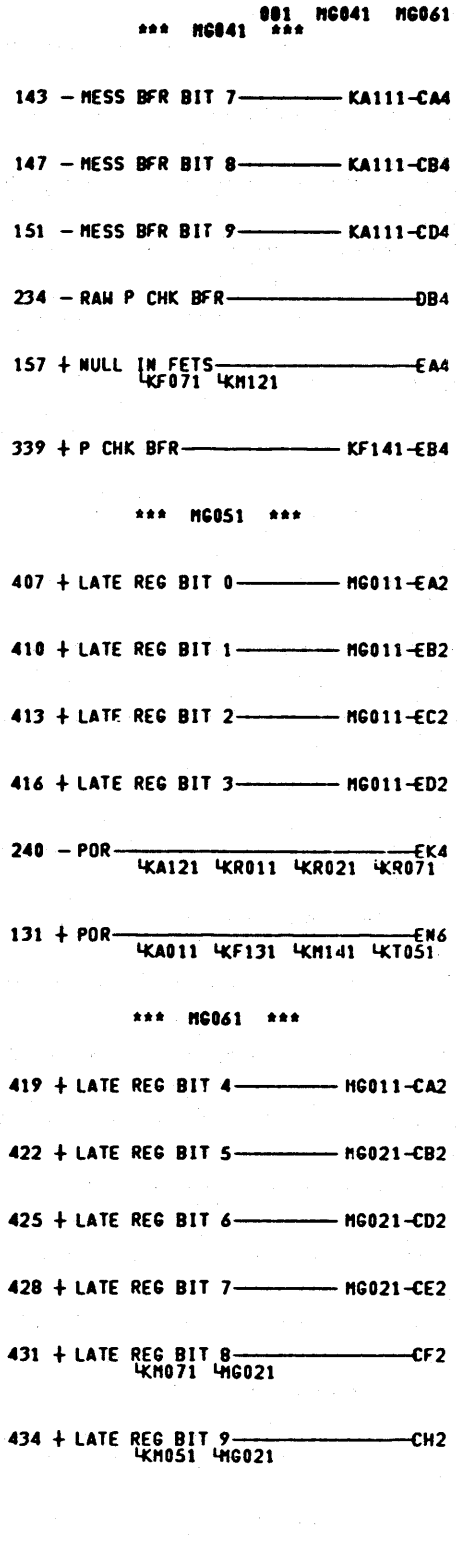
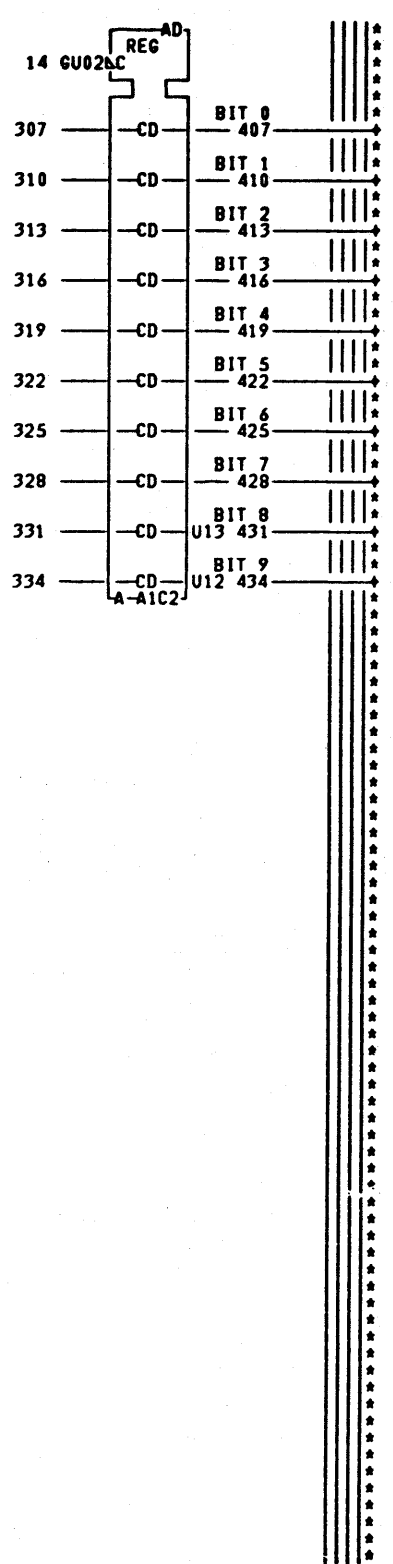
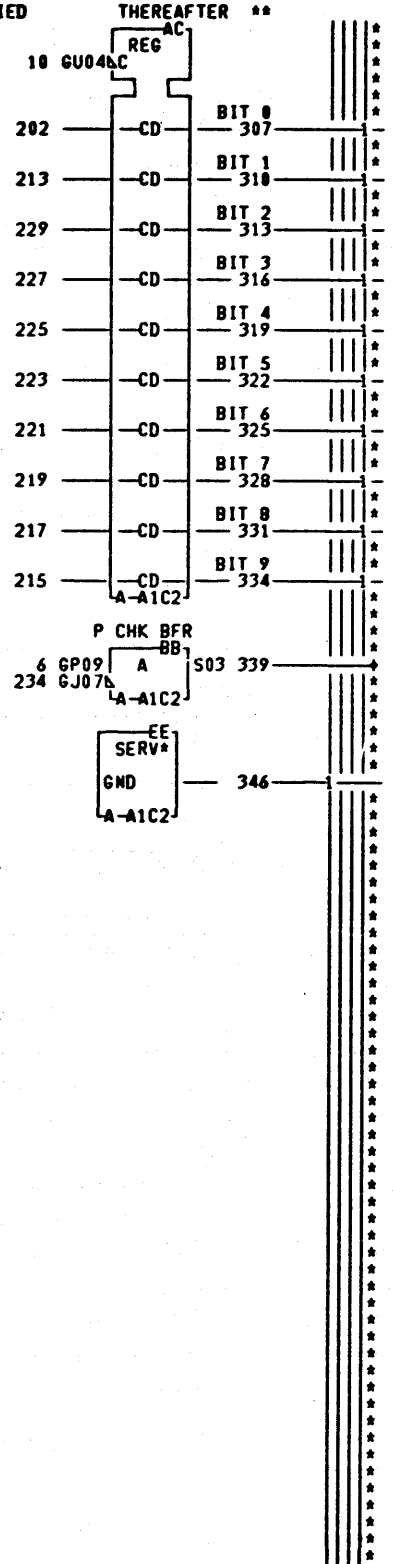
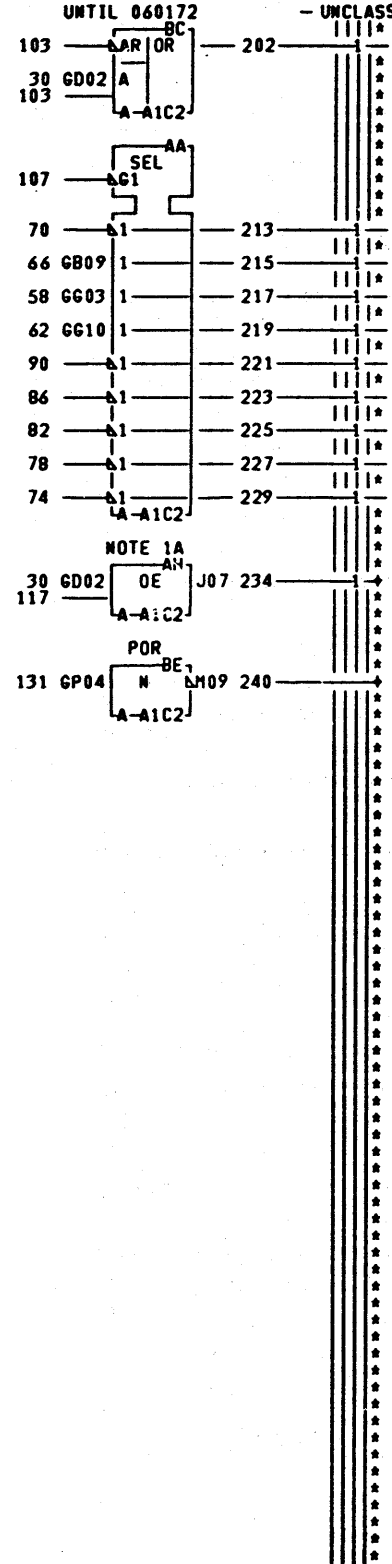
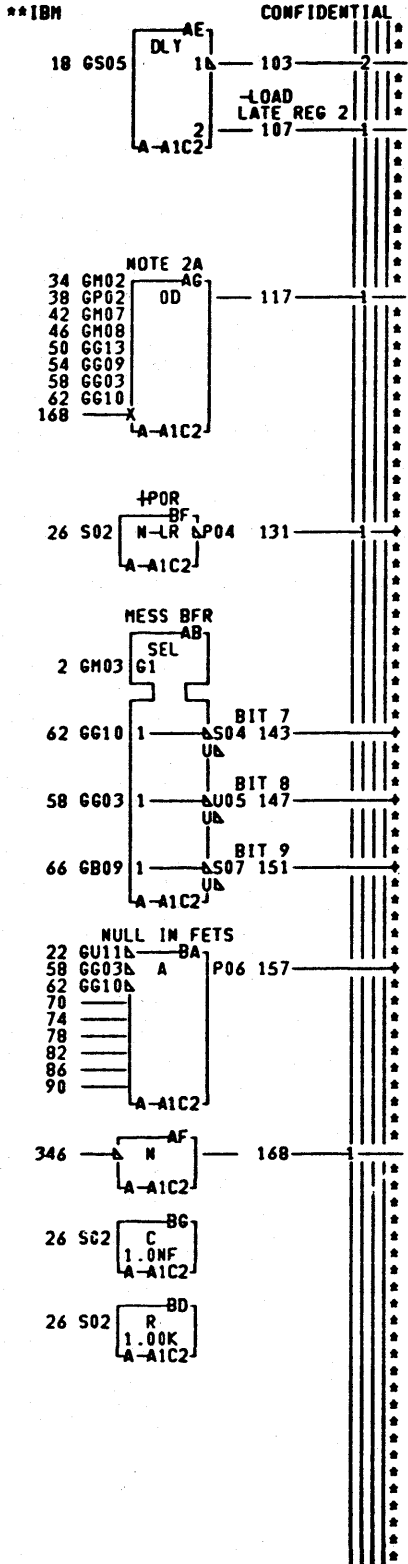
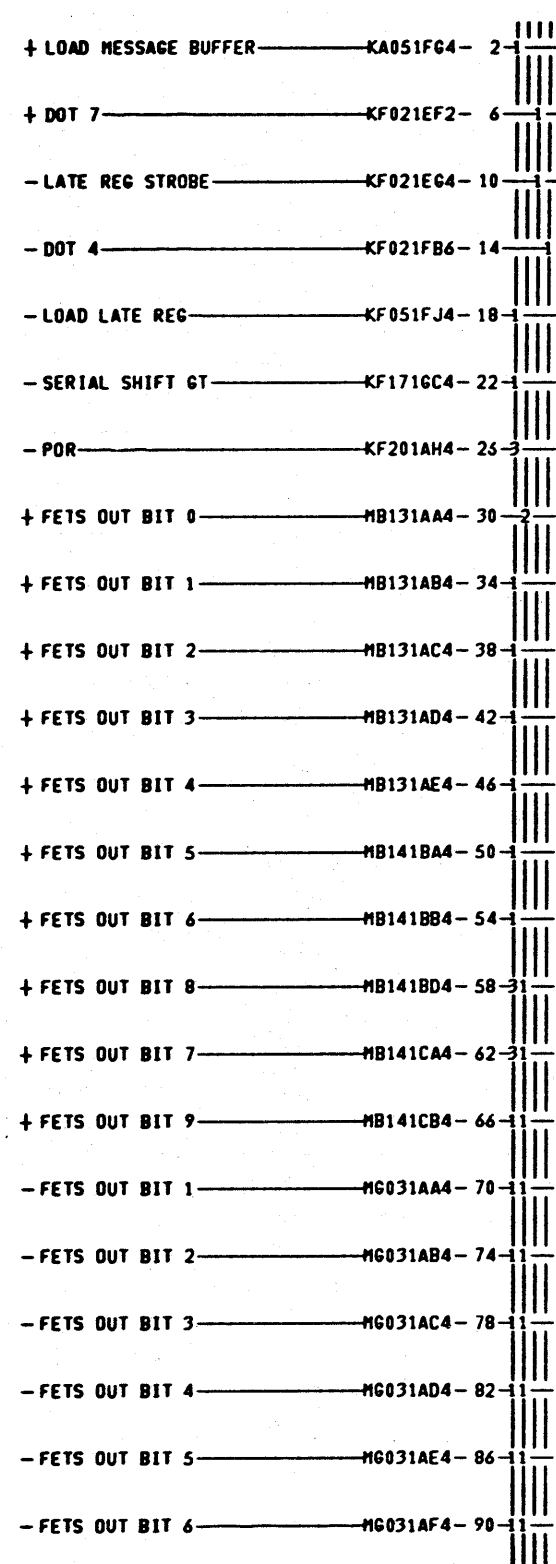
B.SIM TO PM 1563792 EC 717473

MG011  
 MG031  
 001

LOC. TYPE  
 A-A1C2 9066

PAGE VER EC LEV  
 MG011 000 717492  
 MG021 001 717492  
 MG031 000 717473

I/O GATING AND PARITY			
-E.C.-HISTORY-717473		C-MACH.3277	
DATE	LAST EC	FRAME	01 MG011
06-01-72	717492	IBN CORP.KN	MG031
P.N. 1823835			001



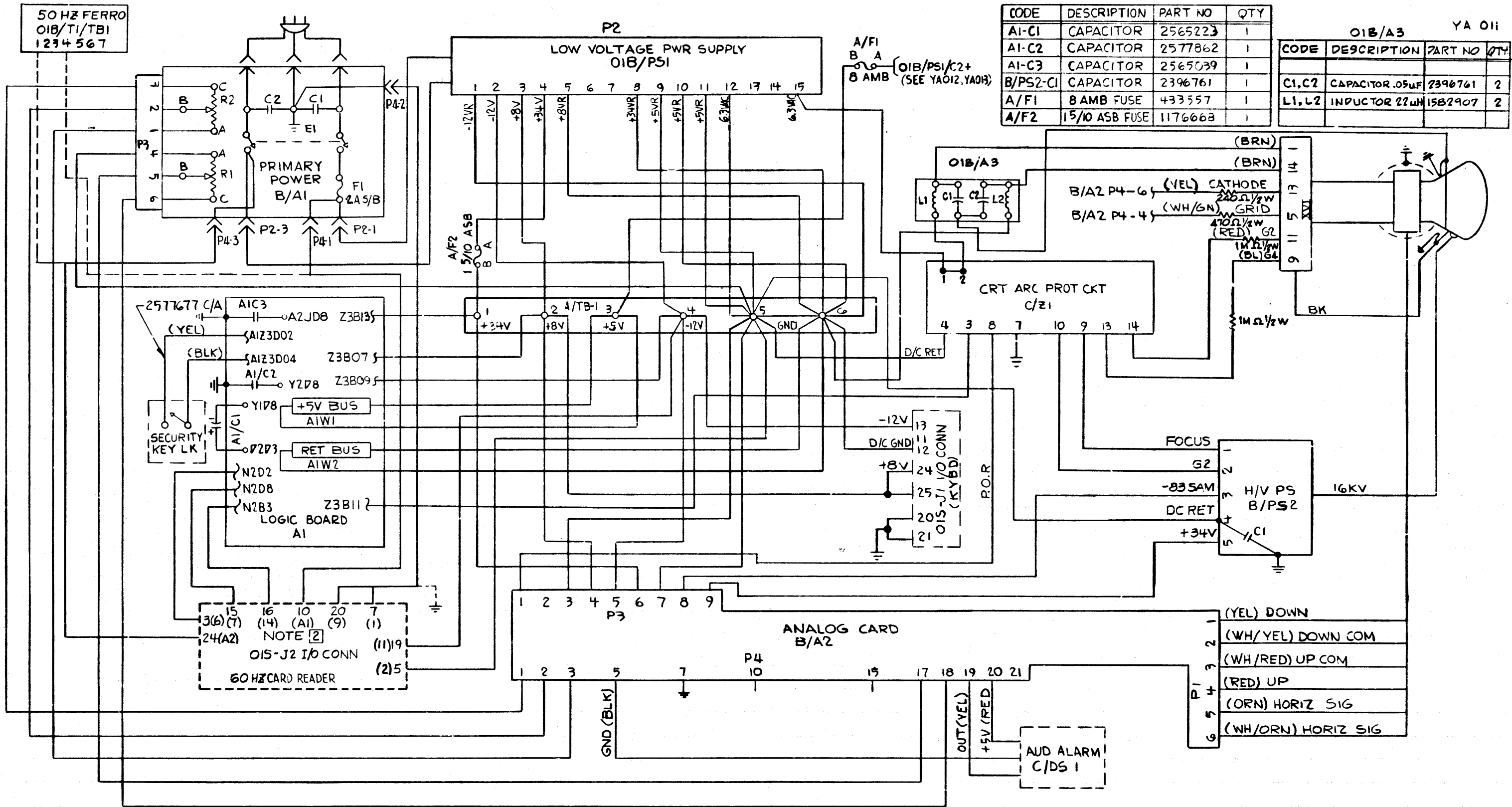
A.SIM TO PN 1563794 EC 717946  
 B.SIM TO PN 1563795 EC 717946

LOC. TYPE  
 A-A1C2 9066

PAGE VER EC LEV  
 MG041 001 717946  
 MG051 001 717946  
 MG061 000 717473

MG041  
 MG061  
 001

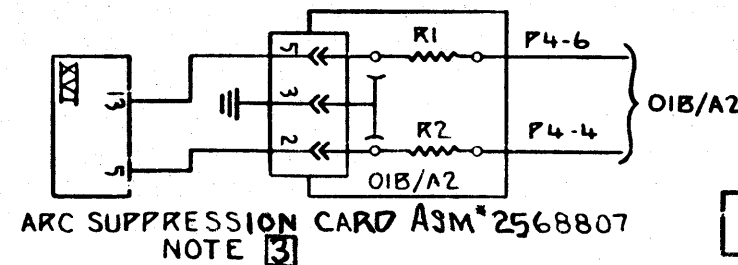
I/O GATING AND PARITY			
E.C. HISTORY	C-MACH.3277		
717473			
716959	FRAME 01		MG041
717492			
DATE	LAST EC	IBM CORP.SDD	MG061
08-05-72	717946	P.N. 1823840	001



NOTES:

- 1 WHEN KEYBD FEAT IS NOT ATTACHED TO DISPLAY LOAD RESIS 2577676 REF MOUNTS TO B/TBI-2 & 6; AND 2577679 REF MOUNTS TO B/TBI-3 & 6.
- 2 THE 50 HZ CARD READER RECEIVES IT'S POWER FROM FERRO OIB/TI/TBI-1 & 4 NOT THRU PRIME POWER OIB/A1/P4 CONN POS 1 & 9 TIE DIRECTLY TO FR. GND ON GUSSET. NUMBERS IN PARENTHESIS REPRESENT THE 50 HZ CONNECTOR POSITIONS

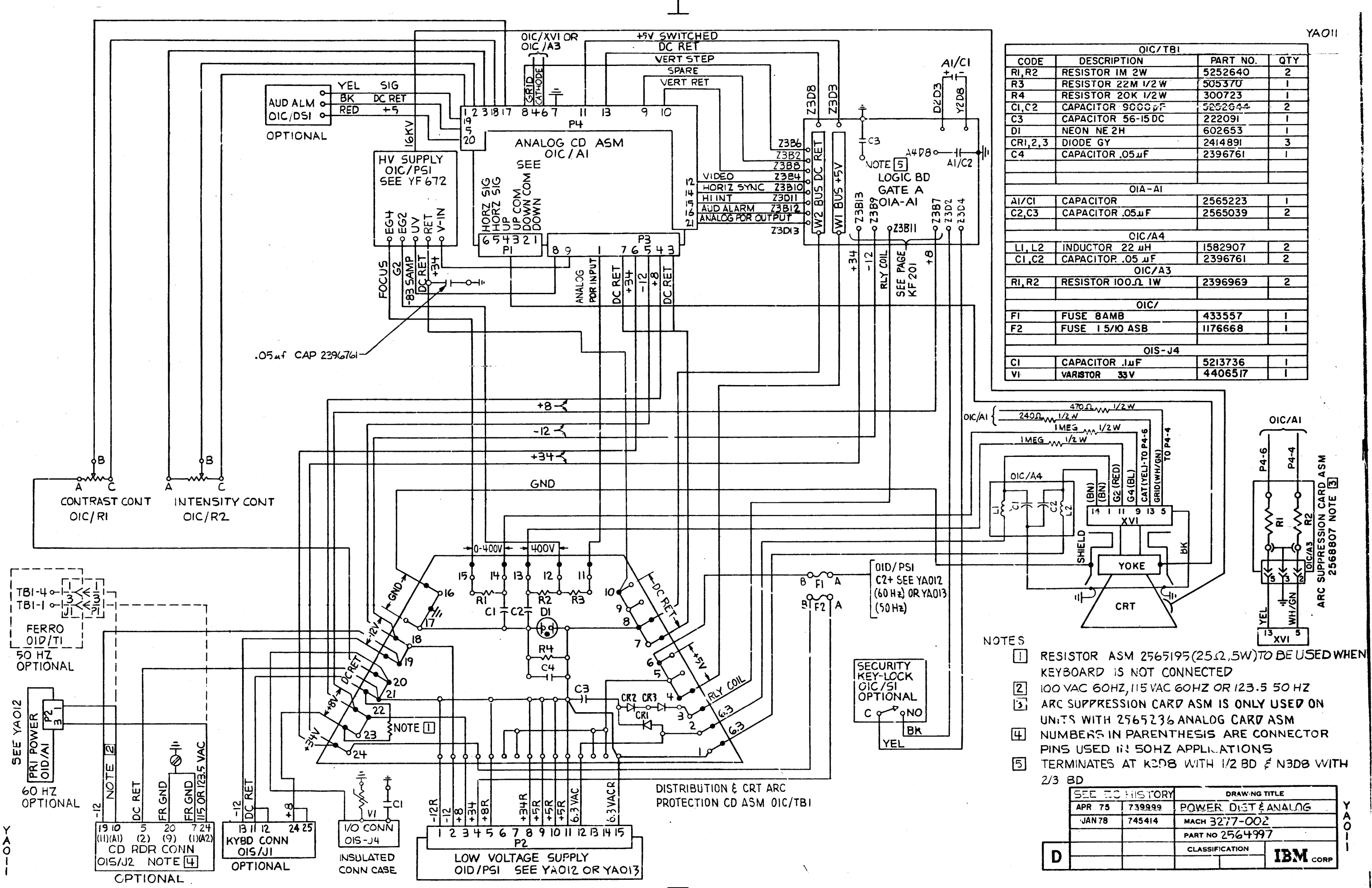
- 3 ARC SUPPRESSION CARD ASM IS ONLY USED ON UNITS WITH 2565236 ANALOG CARD ASM.



THIS DOCUMENT IS THE PROPERTY OF IBM. ITS USE IS AUTHORIZED ONLY FOR RESPONDING TO A REQUEST FOR QUOTATION OR FOR THE PERFORMANCE OF WORK FOR IBM. ALL QUESTIONS MUST BE REFERRED TO THE IBM PURCHASING DEPARTMENT.

SEE EC HISTORY		DRAWING TITLE	
AUG73	738401	POWER DIST	
MAR74	739952	MACH	
3FEB75	741722	PART NO 2577870	
MAY75	741690	CLASSIFICATION	IBM CORP

YA 011



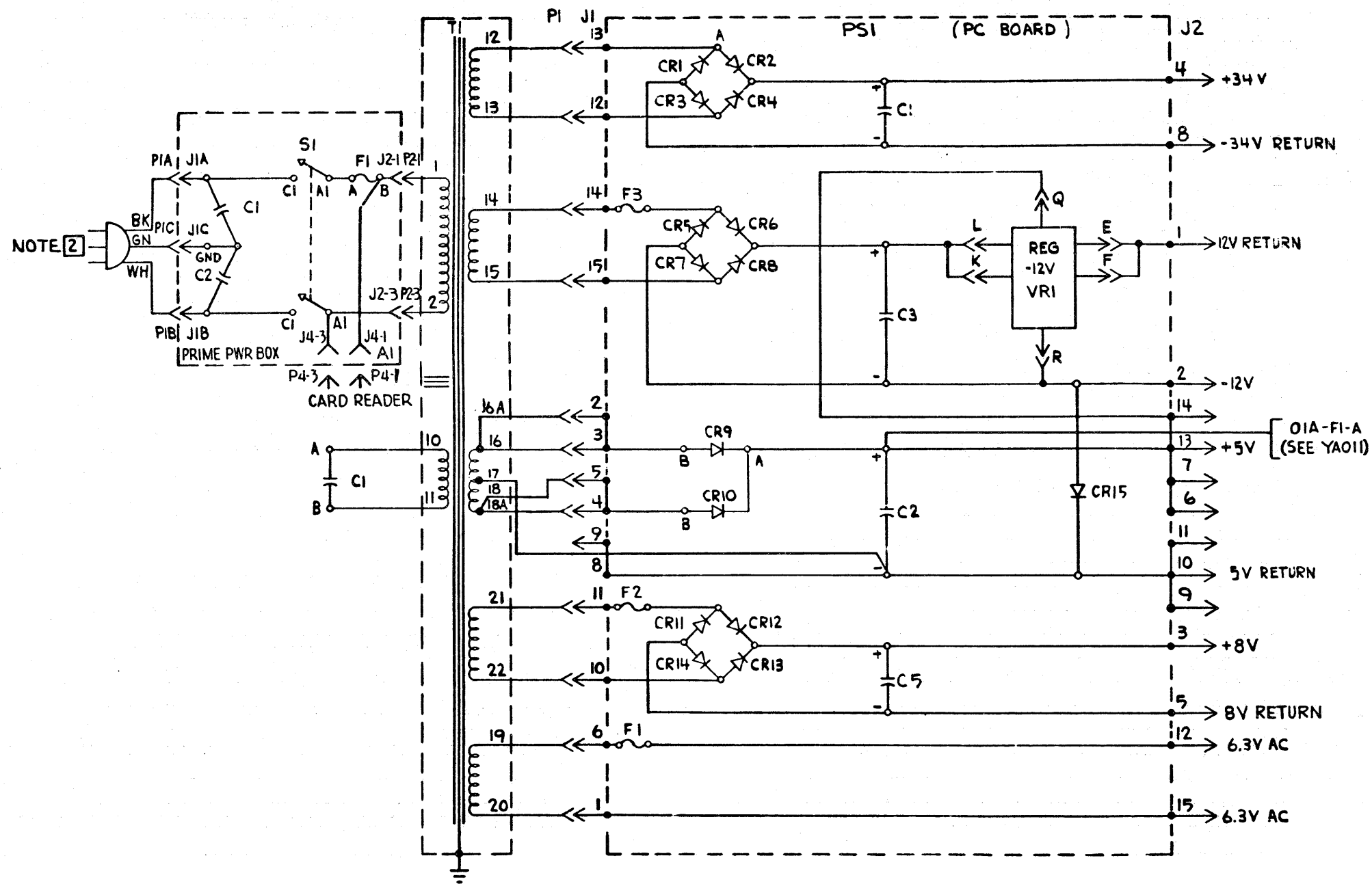
OIC/TB1			
CODE	DESCRIPTION	PART NO.	QTY
R1,R2	RESISTOR 1M 2W	5252640	2
R3	RESISTOR 22M 1/2 W	505370	1
R4	RESISTOR 20K 1/2W	300723	1
C1,C2	CAPACITOR 9000 pF	5252644	2
C3	CAPACITOR 56-15 DC	222091	1
D1	NEON NE 2H	602653	1
CR1,2,3	DIODE GY	2414891	3
C4	CAPACITOR .05 μF	2396761	1
OIA-A1			
A1/C1	CAPACITOR	2565223	1
C2,C3	CAPACITOR .05 μF	2565039	2
OIC/A4			
L1,L2	INDUCTOR 22 μH	1582907	2
C1,C2	CAPACITOR .05 μF	2396761	2
OIC/A3			
R1,R2	RESISTOR 100 Ω 1W	2396969	2
OIC/			
F1	FUSE 8AMB	433557	1
F2	FUSE 1 5/10 ASB	1176668	1
OIS-J4			
C1	CAPACITOR .1 μF	5213736	1
V1	VARIATOR 33V	4406517	1

- NOTES
- RESISTOR ASM 2565195 (25 Ω, .5W) TO BE USED WHEN KEYBOARD IS NOT CONNECTED
  - 100 VAC 60HZ, 115 VAC 60HZ OR 123.5 50 HZ
  - ARC SUPPRESSION CARD ASM IS ONLY USED ON UNITS WITH 2565236 ANALOG CARD ASM
  - NUMBERS IN PARENTHESIS ARE CONNECTOR PINS USED IN 50HZ APPLICATIONS
  - TERMINATES AT K2D8 WITH 1/2 BD & N3D8 WITH 2/3 BD

SEE EC HISTORY		DRAWING TITLE	
APR 75	739999	POWER DIST & ANALOG	
JAN 78	745414	MACH 3277-002	
		PART NO 2564997	
D		CLASSIFICATION	IBM CORP

YA011

# REFERENCE DRAWING



CODE	DESCRIPTION	PART NO
PSI	PRINTED CIRCUIT BOARD ASM	2481185
VR1	REGULATOR CARD -12V	2481207
PSIC1	CAPACITOR 7.2K $\mu$ F 40V	5712125
PSIC2	CAPACITOR 240K $\mu$ F 7.5V	5252526
PSIC3	CAPACITOR 3.1K $\mu$ F 25V	483107
PSIC5	CAPACITOR 60K $\mu$ F 10V	5252514
AIC1&AIC2	CAPACITOR, FILTER .01 $\mu$ F	737805
C1	CAPACITOR, AC 4 $\mu$ F 660VAC	2582939
CR1-CR8, CR15	DIODE 1/4 MP 180V	5214324
CR9&CR10	DIODE 10AMP 150V	598479
CR11-CR14	DIODE 3AMP 100V	1149212
AIF1, PSIF1	FUSE 2 AMP SB 125V	332009
PSIF2	FUSE 5AMP SB 125V	512137
PSIF3	FUSE 2 AMP SB 125V	332009
SI	SWITCH	5252626
TI	FERRO, 60 HZ	NOTE [2]

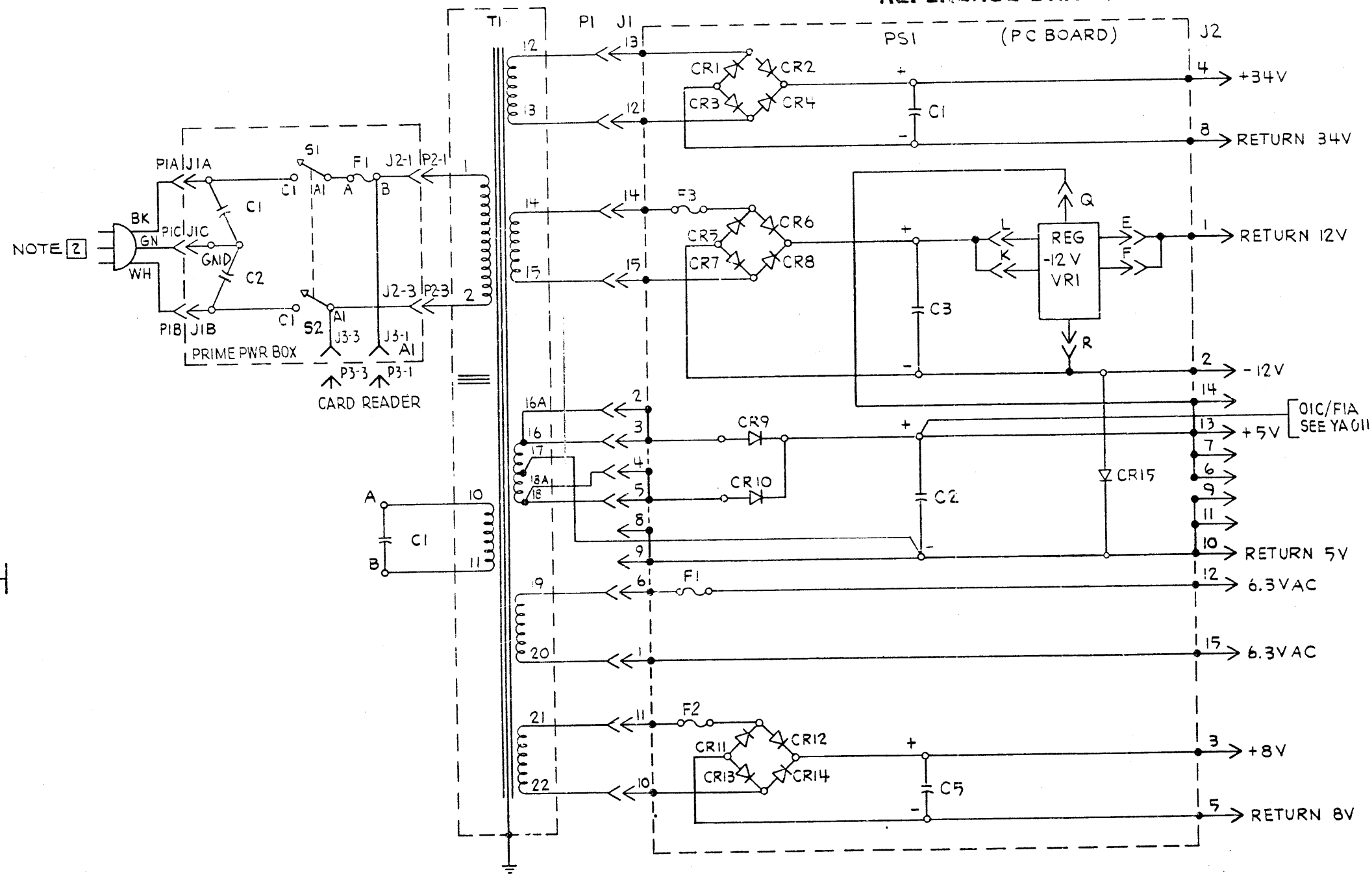
**NOTES**

- 1 ALL POWER UNITS IN 01D/ ZONE
- 2 THIS WIRING DIAGRAM PERTAINS TO 115 VAC 1 $\phi$  60HZ UNITS (FERRO P/N 2582999), OR 100VAC 1 $\phi$  60HZ JAPAN UNITS (FERRO P/N 4119307).

EC HISTORY		DRAWING TITLE	
SEE EC	HISTORY	SYS DIAG 48C DISPL UNIT 60HZ	
16 JUL 73	739 021	MACH	
3 FEB 75	741722	PART NO 2481234	
D	CLASSIFICATION		IBM CORP
	N/A 10/70		

YA012

# REFERENCE DRAWING



CODE	DESCRIPTION	PART NO
PS1	PRINTED CIRCUIT BOARD ASM	2481185
VR1	REGULATOR CARD-12V	2481207
PS1C1	CAPACITOR, 7.2K μF 40V	5712125
PS1C2	CAPACITOR, 240K μF 7.5V	5252526
PS1C3	CAPACITOR, 3.1K μF 25V	483107
PS1C5	CAPACITOR, 60K μF 10V	5252514
A1C1 & A1C2	CAPACITOR, FILTER .01 μF	737805
C1	CAPACITOR, 4 μF 660V AC	2582939
CR1-CR8, CR15	DIODE, 1 AMP 180V	5214324
CR9 & CR10	DIODE, 10 AMP 150V	593479
CR11-CR14	DIODE, 3 AMP 100V	1149212
A1F1, PS1F1	FUSE, 2 AMP SB 125 V	332009
PS1F2	FUSE, 5 AMP SB 125 V	512137
PS1F3	FUSE, 2 AMP SB 125 V	332009
S1 & S2	SWITCH, 10 AMP 125/250V	5252566
T1	FERRO, 60 HZ	NOTE [2]

### NOTES

- ALL POWER UNITS IN O1D/ ZONE
- [2] THIS WIRING DIAGRAM PERTAINS TO 115 VAC 1Ø 60HZ UNITS (FERRO P/N 2582999), OR 100VAC 1Ø 60HZ JAPAN UNITS (FERRO P/N 4119307).

Y  
A  
O  
2

EC HISTORY		DRAWING TITLE	
SEE EC HISTORY		CKT. DIAG. 19C DISPL. UNIT	
16 JUL 73	739021	MACH	
3 FEB 75	741722	PART NO 2481235	
		CLASSIFICATION	
		10/16/76 10/16/76 OCT 78	

IBM



# REFERENCE DRAWING

YA 012

TABLE 1

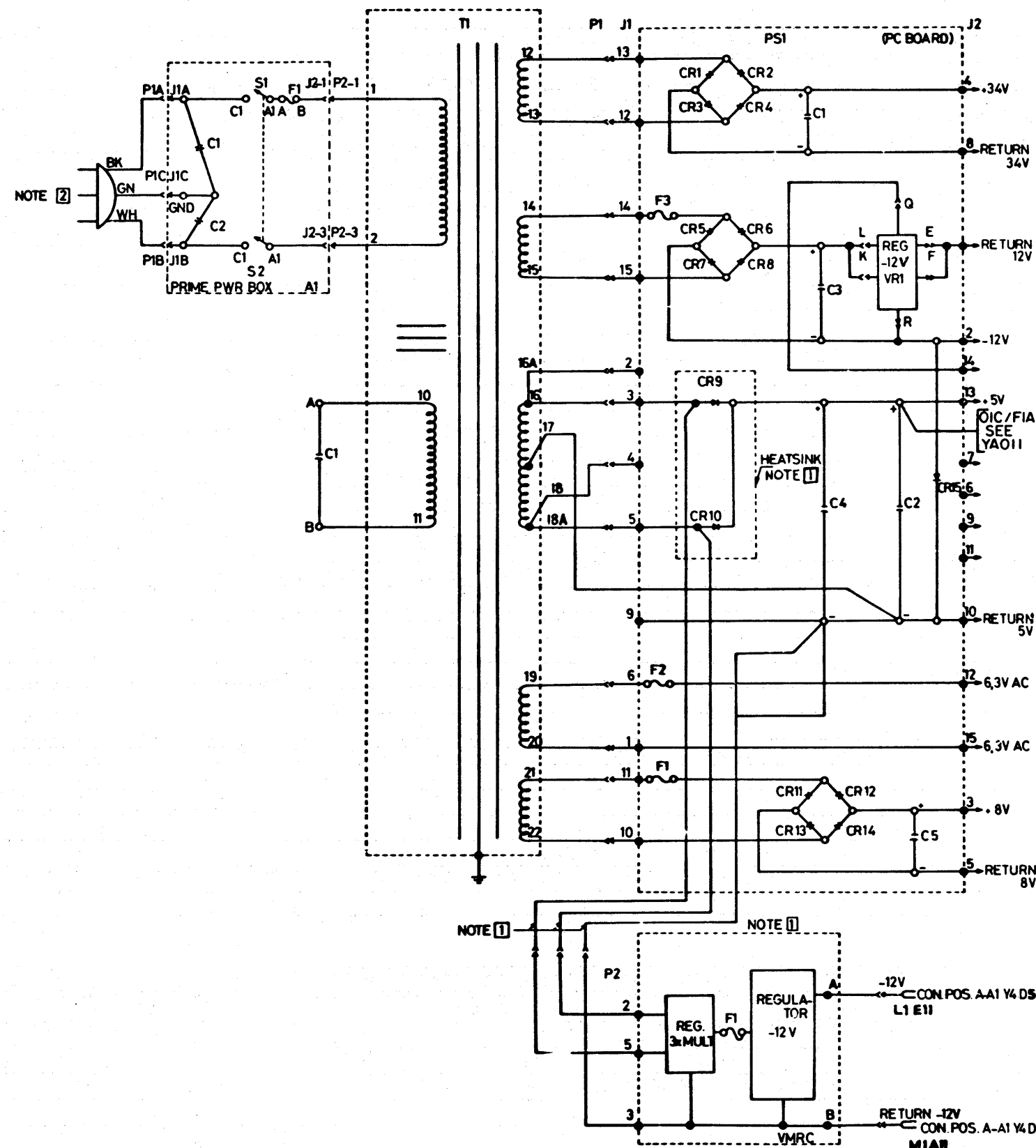
CODE	DISCRIPTION	PART N°	
PS1	PRINTED CIRCUIT BD ASM	2481180	MODEL 2
		2481185	MODEL 1
VR1	REGULATOR CARD -12V	2481207	
PS1C1	CAPACITOR 7.2K UF 40V	5712125	
PS1C2	CAPACITOR 240K UF 75V	5252526	
PS1C3	CAPACITOR 3.1K UF 25V	483107	
PS1C4	CAPACITOR 100K UF 6V NOTE [1]	5709381	
PS1C5	CAPACITOR 60K UF 10V	5252514	
A1C1 & A1C2	CAPACITOR FILTER 0.1 UF	737805	
C1	CAPACITOR 4 UF 660 VAC	2582939	
CR1-CR8 CR15	DIODE 1AMP 180V	5214324	
CR9 & CR10	DIODE 10AMP 150V	598479	
CR11 & CR14	DIODE 3AMP 100V	1149212	
A1F1	FUSE SEE TABLE 2		
PS1F1	FUSE 2AMP SB 125V	332009	
PS1F2	FUSE 5AMP SB 125V	512137	
PS1F3	FUSE 2AMP SB 125V	332009	
SI & S2	SWITCH 10AMP 25/250V	5252566	
T1	FERRO SEE TABLE 2		
VMRC	CARD ASM NOTE [1]	5143821	
VMRC F1	FUSE 0.6AMP 250V	855230	

TABLE 2

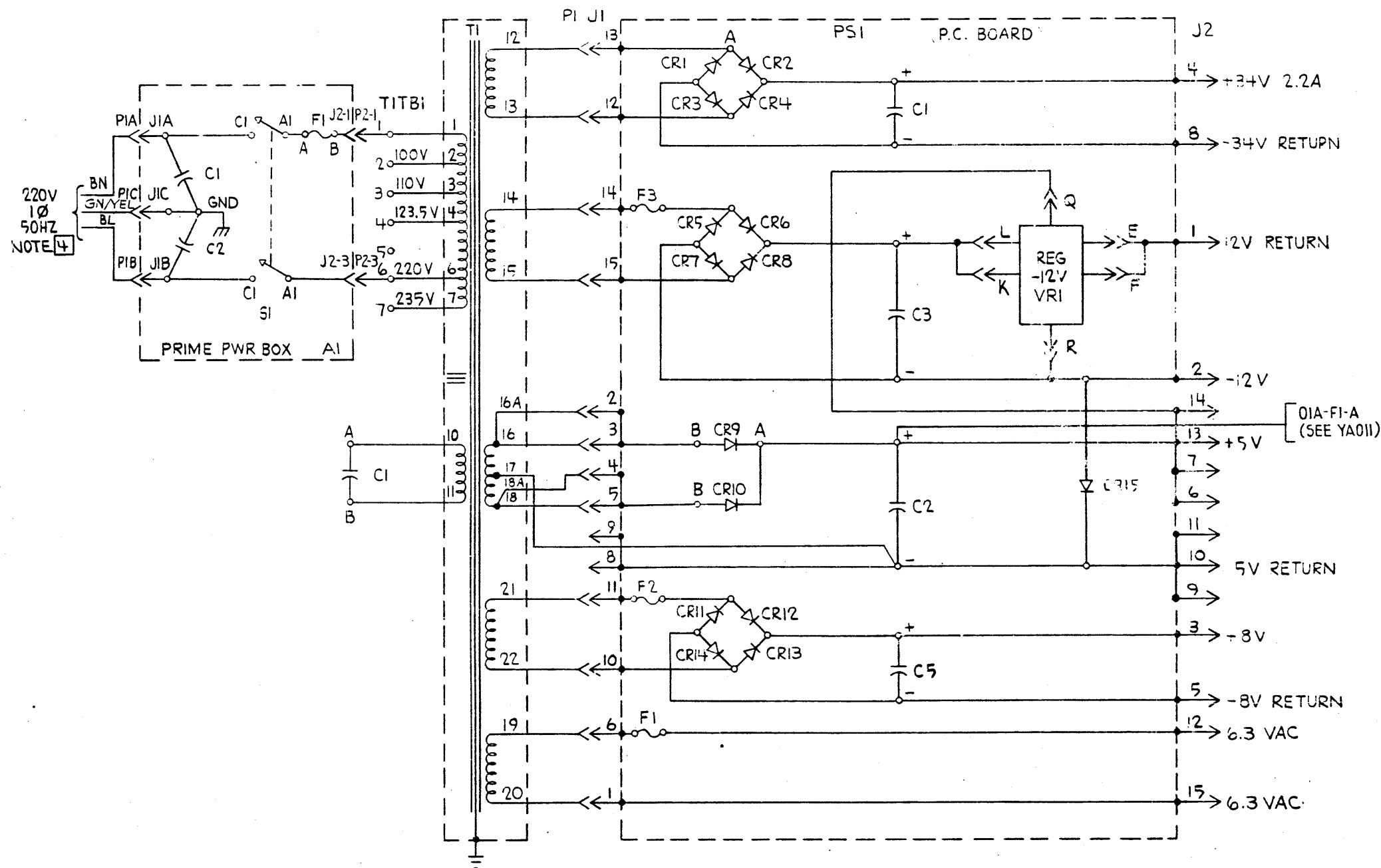
FREQ	MODEL	T1 FERRO P/N	VOLTAGE	A1F1 FUSE P/N
60 HZ	1	2582 999	115	332009 2 AMP SB 125V
		4119 307	100 NOTE [5]	
	2	2582 997	115	361755 25 AMP SB 125V
		4119 306	100 NOTE [5]	5213151 25 AMP SB 125V

NOTES:

- [1] MODEL 2 ONLY
- 2
- 3 PS1, T1 AND A1 PWR UNIT IN OIC/ZONE
- 4 VMRC IN OIC/ZONE
- [5] JAPAN UNITS 100VAC 1ϕ 60HZ



# REFERENCE DRAWING



CODE	DESCRIPTION	PART NO
PSI	PRINTED CIRCUIT BOARD ASM	2481185
VRI	REGULATOR CARD-12V	2481207
PSIC1	CAPACITOR 7.2K UF 40V	5712125
PSIC2	CAPACITOR 240K UF 7.5V	5252526
PSIC3	CAPACITOR 3.1K UF 25V	483107
PSIC5	CAPACITOR 60K UF 10V	5252514
AIC1 & AIC2	CAPACITOR, FILTER .01UF	737805
C1	CAPACITOR, AC 4UF, 660VAC	2582939
CR1-CR8, CR15	DIODE 1AMP 180V	5214324
CR9 & CR10	DIODE 10AMP 150V	598479
CR11-CR14	DIODE 3AMP 100V	1149212
PSIF1	FUSE 2AMP SB125 V	332009
PSIF2	FUSE 5AMP SB 125 V	512137
PSIF3	FUSE 2AMP SB125 V	332009
AIF1	FUSE 1AMP SB 250 V	NOTE [2]
	FUSE 2AMP SB 125 V	NOTE [3]
SI	SWITCH	5252626
TI	FERRO, 50HZ	4119272

NOTES

- 1 ALL POWER UNITS IN 01D/ZONE
- 2 FUSE 303549 IS REQUIRED WHEN THE UNIT IS WIRED FOR 220V OR 235V
- 3 FUSE 332009 IS REQUIRED WHEN THE UNIT IS WIRED FOR 100V, 110V OR 123.5V

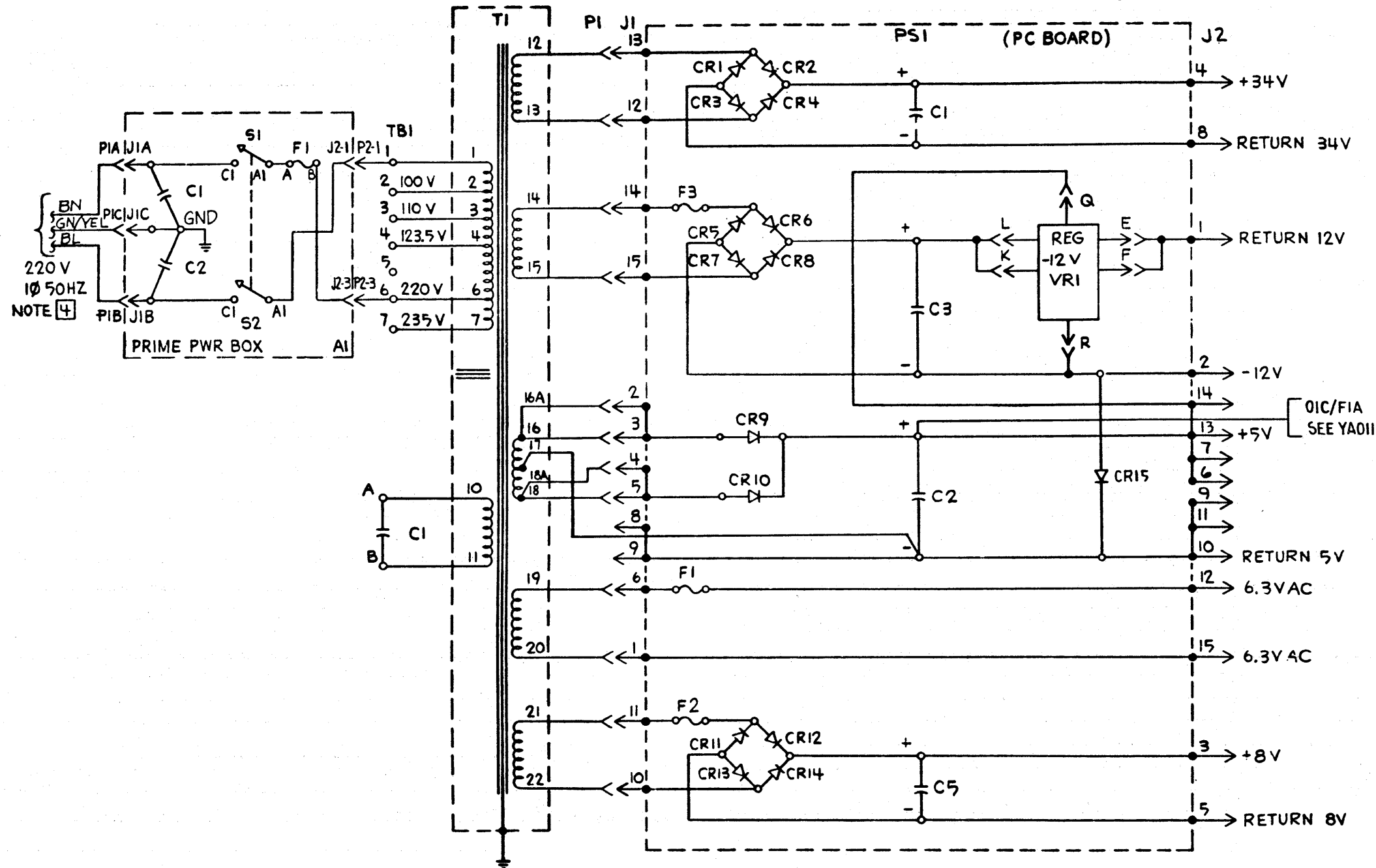
[4] THE INPUT COLOR CODING FOR 100 VAC 1Ø 50HZ JAPAN UNITS IS BK, WH, GN/YEL

Y  
A  
O  
1  
B

EC HISTORY		DRAWING TITLE	
10 OCT 71	716727	SYS DIAG 48C DISPL UNIT 50 HZ	
5 MAY 72	717675	MACH	
9 FEB 73	738312	PART NO 2481238	
16 JUL 73	739021	CLASSIFICATION	
3 FEB 75	741722	WJL 1/K/n	WAM v/ish

**D** **IBM** CORP

REFERENCE DRAWING



CODE	DESCRIPTION	PART NO
PS1	PRINTED CIRCUIT BOARD ASM	2481185
VR1	REGULATOR CARD -12V	2481207
PSIC1	CAPACITOR, 7.2K UF 40V	5712125
PSIC2	CAPACITOR, 240K UF 7.5V	5252526
PSIC3	CAPACITOR, 3.1K UF 25V	483107
PSIC5	CAPACITOR, 60 K UF 10V	5252514
AIC1 & AIC2	CAPACITOR, FILTER .01UF	737805
C1	CAPACITOR, 4 UF 660VAC	2582939
CR1-CR8, CR15	DIODE, 1AMP 180 V	5214324
CR9 & CR10	DIODE, 10 AMP 150V	598479
CR11-CR14	DIODE, 3 AMP 100V	1149212
PSIF1	FUSE, 2AMP SB 125 V	332009
PSIF2	FUSE, 5AMP SB 125 V	512137
PSIF3	FUSE, 2AMP SB 125 V	332009
AIF1	FUSE, 1AMP SB 250 V	NOTE [2]
	FUSE, 2AMP SB 125 V	NOTE [3]
S1 & S2	SWITCH, 10AMP 125/250V	5252566
T1	FERRO, 50 HZ	4119272

NOTES

- 1 ALL POWER UNITS IN O/D/ZONE
- 2 FUSE 303549 IS REQUIRED WHEN THE UNIT IS WIRED FOR 220V OR 235V
- 3 FUSE 332009 IS REQUIRED WHEN THE UNIT IS WIRED FOR 100V, 110V, OR 123.5V

[4] THE INPUT CABLE COLOR CODING FOR 100VAC 1Ø 50HZ JAPAN UNITS IS BK,WH,GN/YEL

EC HISTORY		DRAWING TITLE	
SEE EC	HISTORY	CKT DIAG 19C DISPL UNIT 50HZ	
16 JUL 73	739021	MACH	
3 FEB 75	741722	PART NO 2481236	
		CLASSIFICATION	IBM CORP
		W/L 1/k/h/1/4/1/15/1	

D

REFERENCE DRAWING

P/N-1898006

YA013

TABLE 2

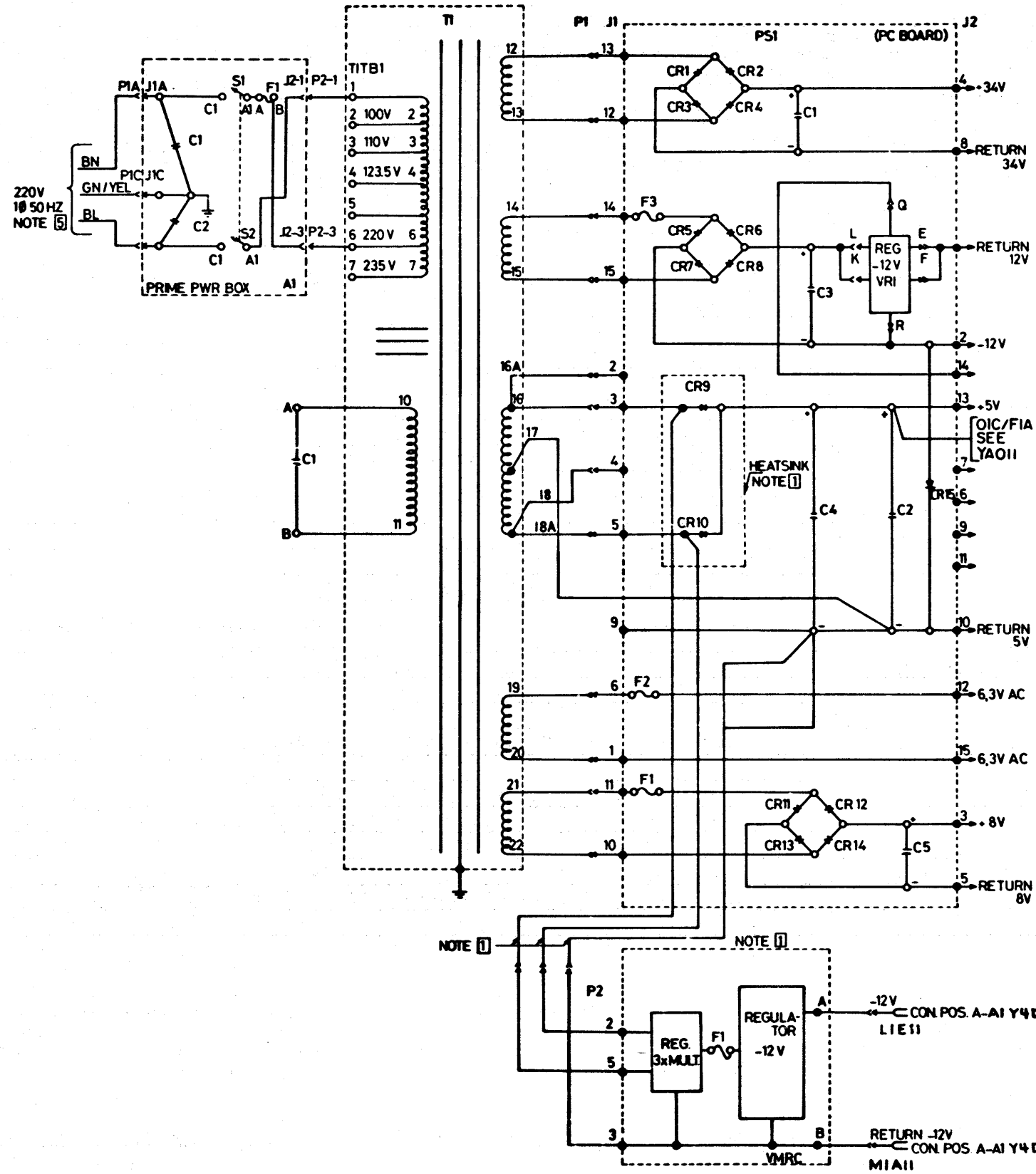
CODE	DESCRIPTION	PART NO	
PS1	PRINTED CIRCUIT BD ASM	2481180	MODEL 2
		2481185	MODEL 1
VR1	REGULATOR CARD -12V	2481207	
PS1 C1	CAPACITOR 72K UF 40V	5712125	
PS1 C2	CAPACITOR 240K UF 75V	5252526	
PS1 C3	CAPACITOR 3.1K UF 25V	483107	
PS1 C4	CAPACITOR 100K UF 6V	5709381	
PS1 C5	CAPACITOR 60K UF 10V	5252514	
A1C1 & A1C2	CAPACITOR FILTER 01 UF	737805	
C1	CAPACITOR 4UF 660V AC	2582989	
CR1-CR8, CR15	DIODE 1AMP 180V	5214324	
CR9 & CR10	DIODE 10AMP 50V	598479	
CR11-CR14	DIODE 3AMP 100V	114922	
PS1 F1	FUSE 2 AMP SB 125V	332009	
PS1 F2	FUSE 5 AMP SB 125 V	512137	
PS1 F3	FUSE 2 AMP SB 125 V	332009	
A1 F1	FUSE SEE TABLE 2		
PS1 S1 & S2	SWITCH 10AMP 25/250 V	5252566	
T1	FERRO SEE TABLE 2		
VMRC	CARD ASM NOTE 1	5143821	
VMRC F1	FUSE 0.6AMP 250 V	855230	

NOTES:

- 1 MODEL 2 ONLY
- 2
- 3 PS1, T1 AND A1 PWR UNIT IN OIC/ZONE
- 4 VMRC IN OIC/ZONE
- 5 THE INPUT CABLE COLOR CODING FOR 100VAC 10 50HZ JAPAN UNITS IS BK, WH, GN/YEL

TABLE 2

FREQ	MODEL	T1 FERRO P/N	VOLTAGE	A1F1 FUSE P/N
50HZ	1	4119272	100 NOTE 5	2 AMP SB
			110	332009
			123,5	125 V
			220	1 AMP SB
50HZ	2	4119271	100 NOTE 5	2.8 AMP SB
			110	5213152
			123,5	125V
			220	15 AMP SB
			235	1176668
				250V

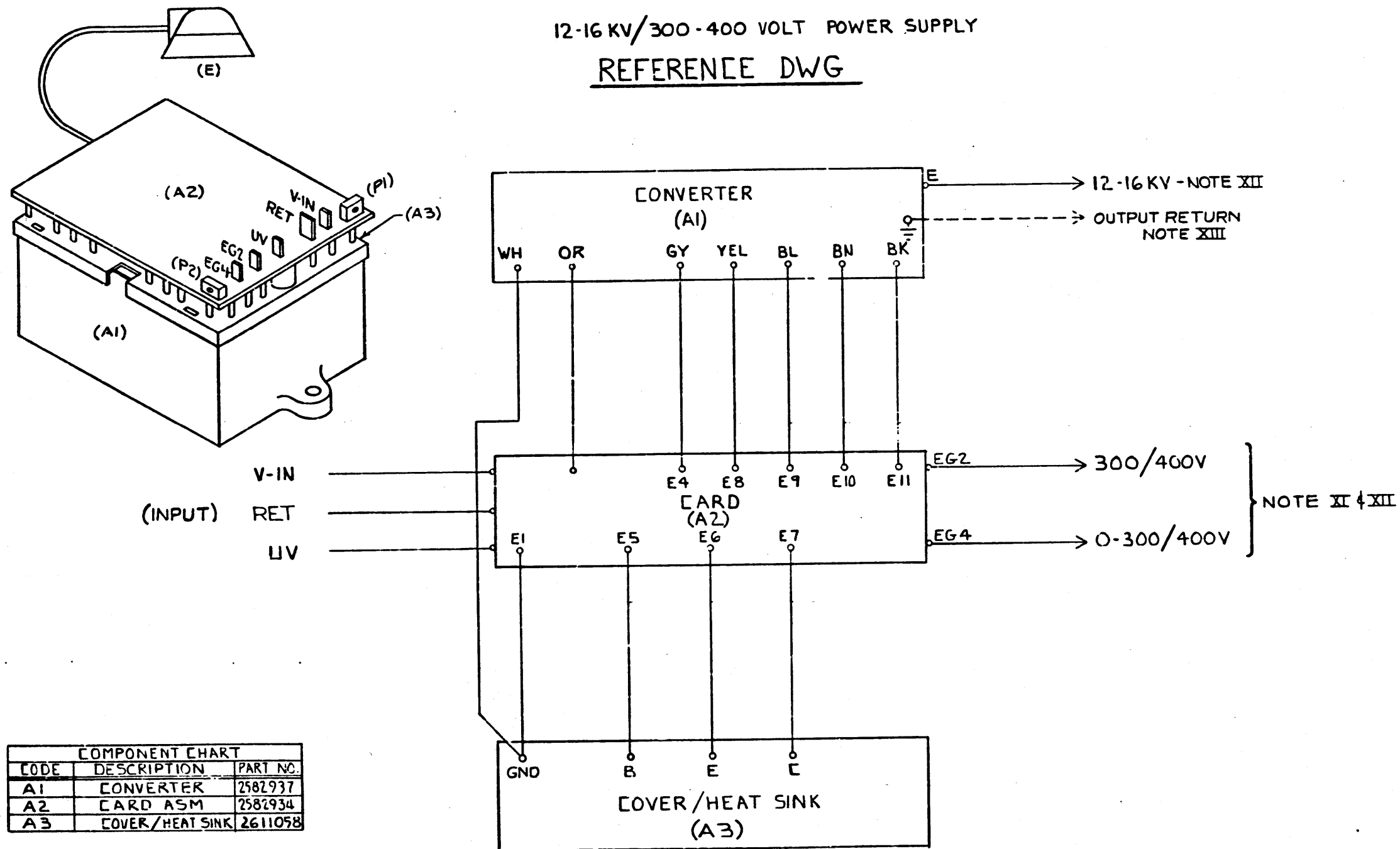


NOTE 1

NOTE 1

DATE	EC NO	DATE	EC NO	TITLE
SEP74	740392			CRT DIAG 3277 DISPL UNIT 50HZ
FEB76	741722			IBM VER 006
				PART NO 1898006 PAGE YA 013

12-16 KV/300-400 VOLT POWER SUPPLY  
REFERENCE DWG



COMPONENT CHART		
CODE	DESCRIPTION	PART NO.
A1	CONVERTER	2582937
A2	CARD ASM	2582934
A3	COVER/HEAT SINK	2611058

NOTE:

- X THIS SUPPLY IS NOT TO BE REPAIRED IN THE FIELD
- XI EXTERNAL SUPPRESSION NETWORKS MUST BE PROVIDED BY USER TO PREVENT SUPPLY DAMAGE IN CASE OF THE LOAD (CRT) ARCING BETWEEN THE HIGH & LOW VOLTAGE LEVELS

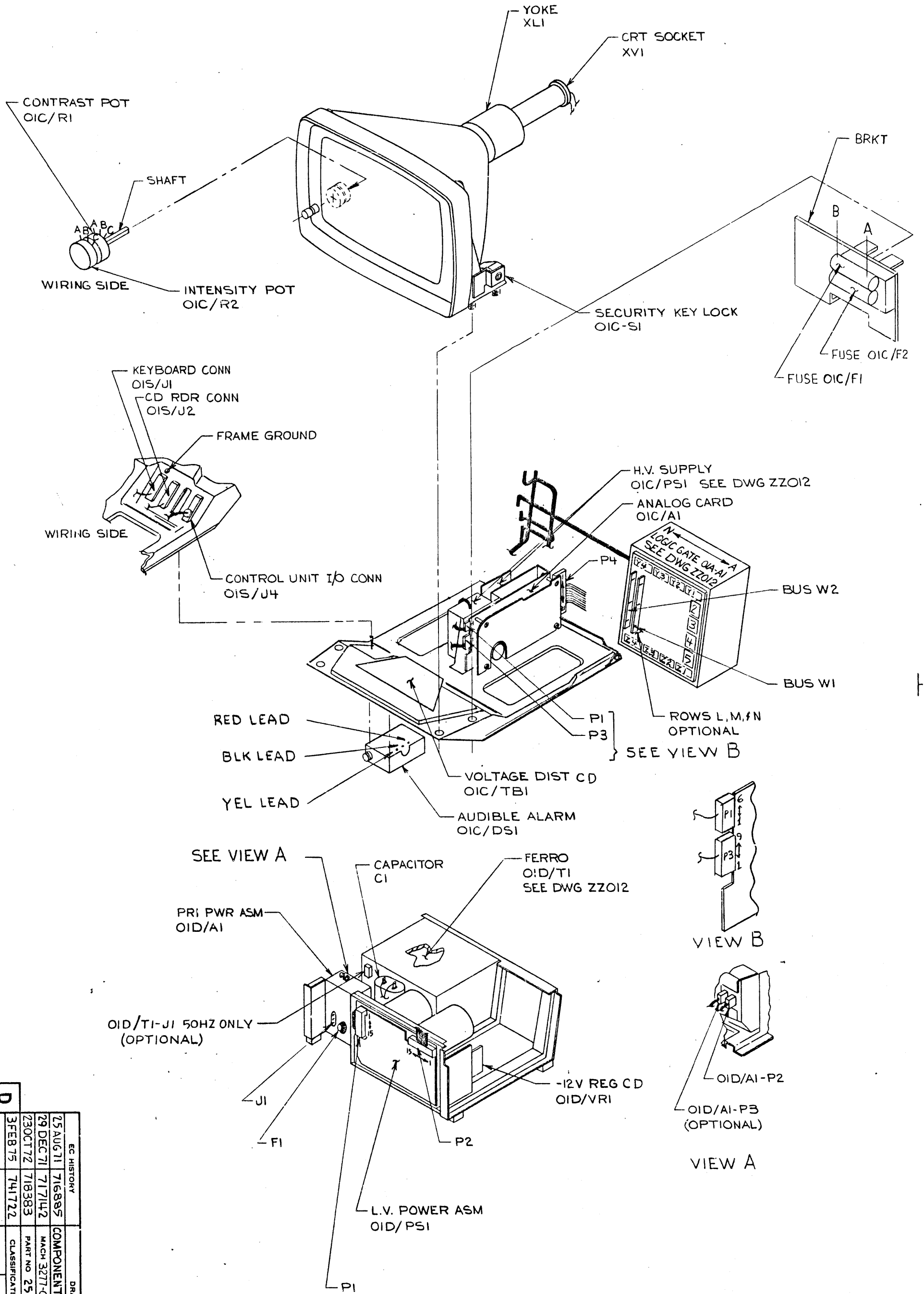
- XII P1-HIGH VOLTAGE ADJUSTMENT (12-16KV)  
-DO NOT FIELD AJUST.  
P2-EG4 VOLTAGE ADJUSTMENT (0-300/400V)  
- FOCUS ADJUSTMENT.
- XIII OUTPUT RETURN PATH IS THRU CHASSIS OF SUPPLY, CONVERTER CASE MUST BE GROUNDED

THIS DOCUMENT IS THE PROPERTY OF IBM. ITS USE IS AUTHORIZED ONLY FOR RESPONDING TO A REQUEST FOR QUOTATION OR FOR THE PERFORMANCE OF WORK FOR IBM. ALL QUESTIONS MUST BE REFERRED TO THE IBM PURCHASING DEPARTMENT.

RELEASED FOR ASM 2611025 (REF.)

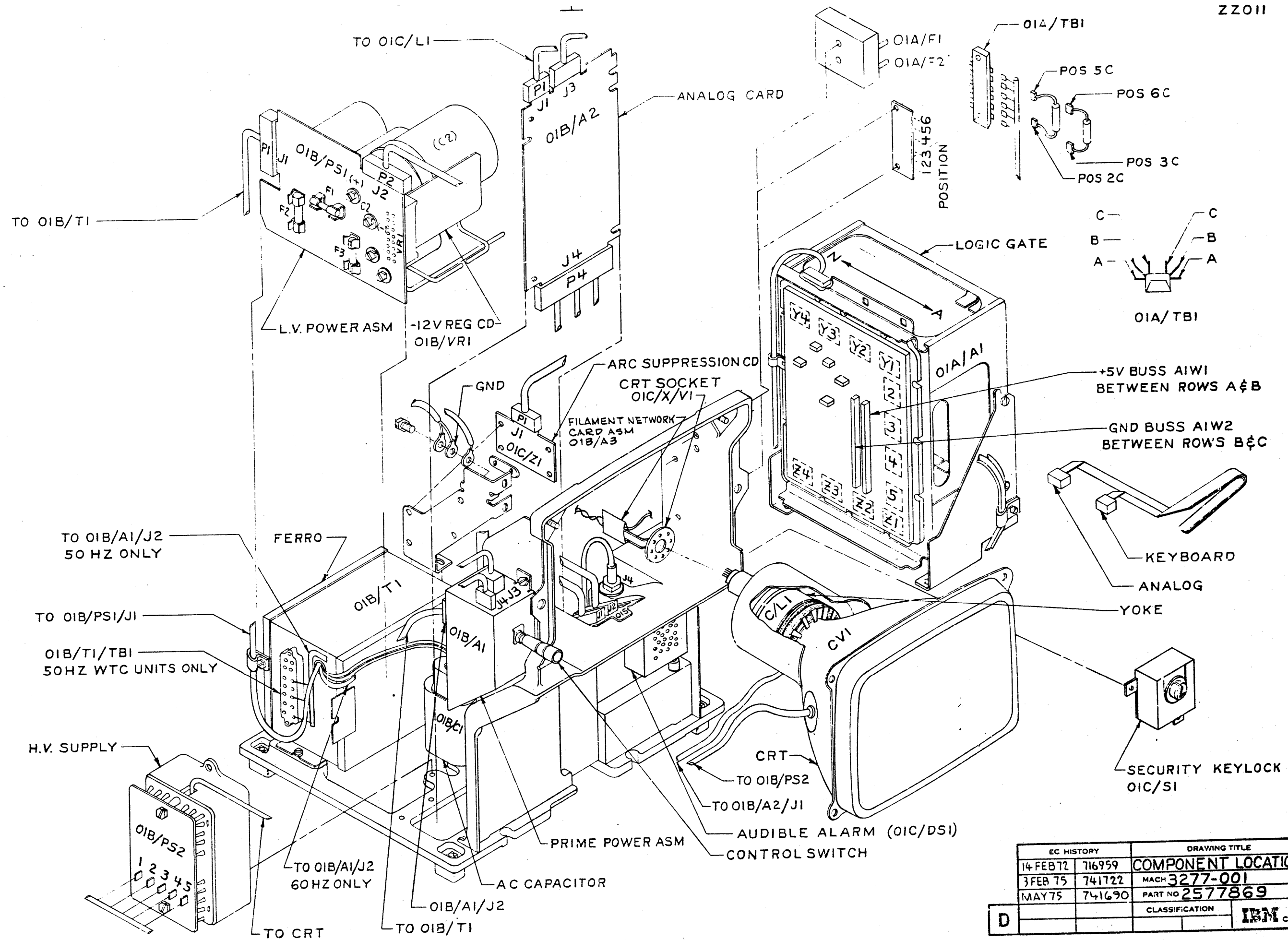
SEE EC HISTORY		DRAWING TITLE	
3 OCT 72	718306	SYSTEMS DIAGRAM	
29 OCT 72	718307	MACH	
11 JAN 73	738051	PART NO 2611043	
CLASSIFICATION		IBM CORP	
D		10-1046	

T



FOR 3277-002 ONLY

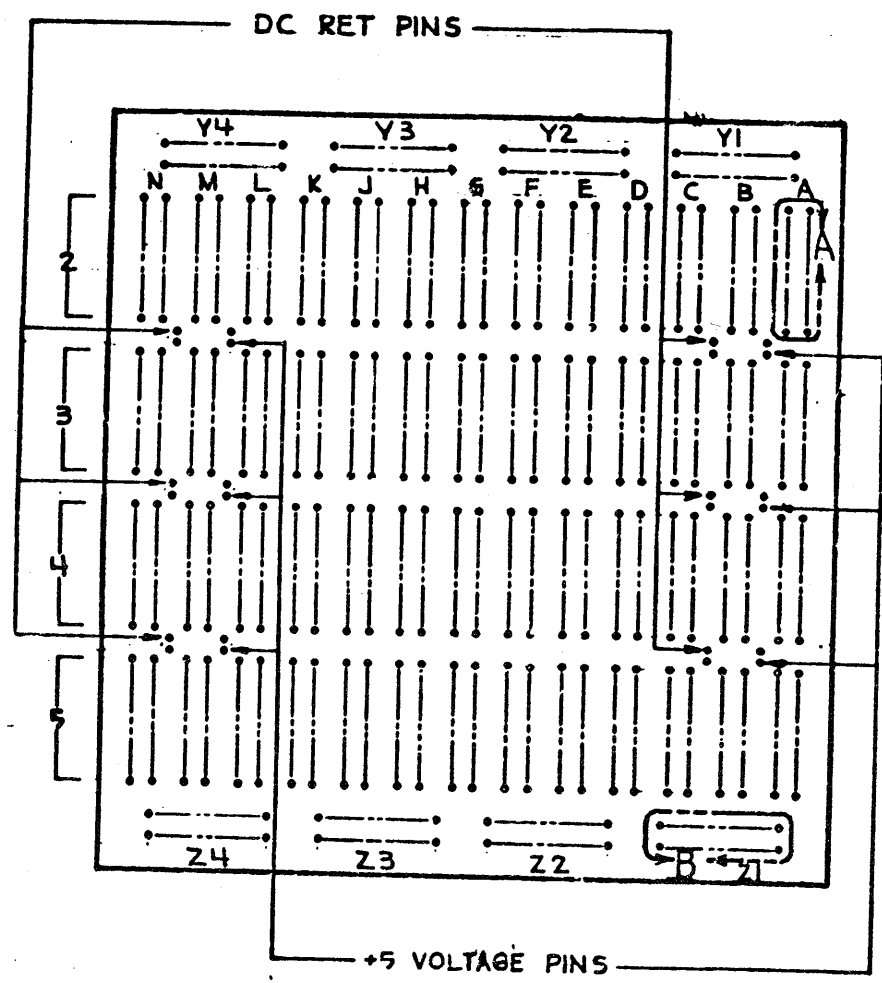
D	3 FEB 75	741722	CLASSIFICATION
	23 OCT 72	718383	PART NO 2564995
	29 DEC 71	717142	MACH 3277-002
	25 AUG 71	716885	COMPONENT LOCATION
			DRAWING TITLE
			IBM CORP



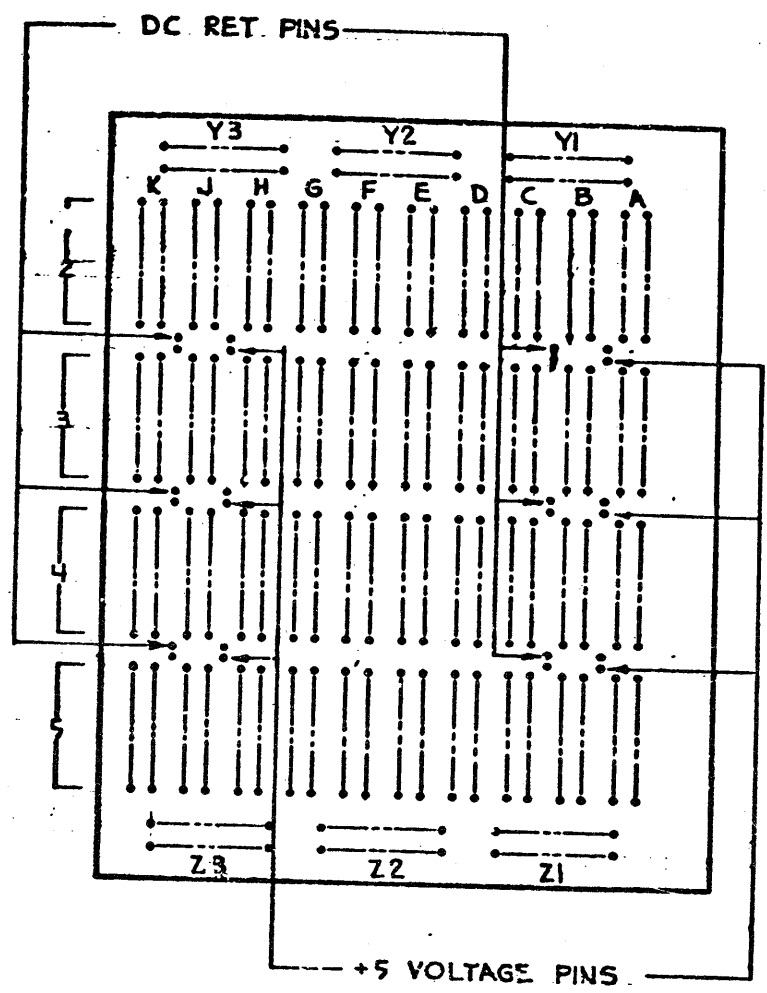
EC HISTORY		DRAWING TITLE	
14 FEB 72	716959	COMPONENT LOCATION	
3 FEB 75	741722	MACH 3277-001	
MAY 75	741690	PART NO 2577869	
D		CLASSIFICATION	IBM CORP

ZZ011

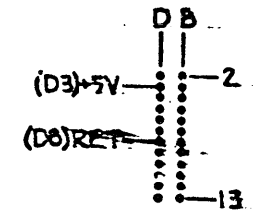
ZZ011



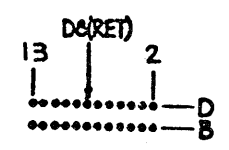
2/3 BD PIN SIDE LAYOUT



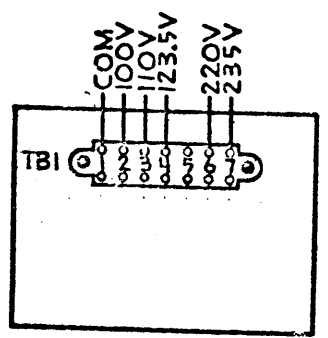
1/2 BD PIN SIDE LAYOUT



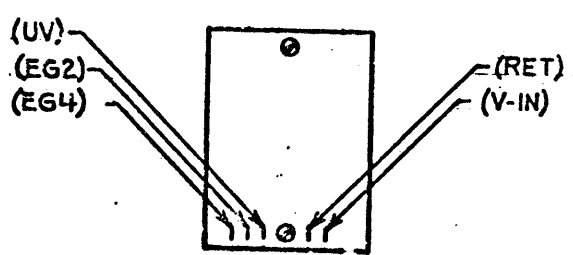
DETAIL A  
VERTICAL SOCKET  
TYP PIN LAYOUT



DETAIL B  
HORIZONTAL SOCKET  
TYP PIN LAYOUT



50 HZ FERRO  
SEE ZZ 011



HV SUPPLY  
(CABLE SIDE)  
SEE ZZ 011

Z  
Z  
0  
1  
2

Z  
Z  
0  
1  
2

EC HISTORY		DRAWING TITLE	
25 AUG 71	716335	COMPONENT LOCATION	
29 DEC 71	717142	MACH 3213 #3277	
7 AUG 72	718098	PART NO 2564993	
D		CLASSIFICATION	DM CORP

T



TABLE 1  
CHARACTER GENERATOR CARD

THE FOLLOWING LIST DESCRIBES THE PART NUMBER CARD TO BE IN THE A-AI K2 CARD SOCKET DEPENDING ON THE FEATURE OR RPQ REQUIRED:

MACHINE TYPE	LANGUAGE	CARD TYPE	LATEST P/N (852)	EQUIVALENT P/N (852)
MOD I MONO CASE	U.S. ENGLISH	9058	4302	0576
	USAC II A	9103	4305	0584
	USAC II B	9104	4306	0585
	U.K. ENGLISH	9102	4304	0583
	GERMAN	9101	4303	0582
	SWD/FIN	W068	4307	1455
	NOR/DEN	W069	4308	1456
	SPANISH	W070	4309	1457
	PORT/BRAZIL	W072	4311	1459
	MOD II MONO CASE	U.S. ENGLISH	9070	4289
USAC II A		9098	4292	0580
USAC II B		9099	4293	0581
U.K. ENGLISH		9097	4291	0579
GERMAN		9096	4290	0578
SWD/FIN		W075	4294	1462
NOR/DEN		W076	4295	1463
SPANISH		W077	4296	1464
PORT/BRAZIL		W079	4298	1466
MOD I & II DUAL CASE		U.S. ENGLISH	4710	1708
	U.K. ENGLISH	4711	1709	_____
	KATA KANA	9123	1707	_____
	AUS/GER	4712	1710	_____
	BEL/FRANCE	4713	1711	_____
	DEN/NOR	X415	1854	_____
	FIN/SWD	X416	1855	_____
	ITALY	X417	1858	_____
	SPANISH	X418	1856	_____
	PORT/BRAZIL	X419	1857	_____

TABLE 2  
INTERCHANGEABLE CARDS

THE FOLLOWING CARDS CAN BE USED INTERCHANGEABLY ONLY THE LATEST P/N IS SHOWN IN THE LOGIC. THESE CARDS ARE IDENTICAL IN LOGIC

TYPE NO.	LATEST P/N	EQUIVALENT P/N	EQUIVALENT P/N
9067	8522836	8522014	_____
9068	8523664	8522151	8522109
L514	8527302	8522013	_____
9069	8524282	8522852	_____
9069	_____	8524282	8523647
9072	8564143	8522001	8563039
9072	8564143	8523633	8523616
9072	8564143	8527296	8528262
9072	8564143	8564132	_____
9066	8523648	8521992	_____
9071	8524604	8523649	_____
9071	8524604	8523617	_____
9071	8524604	8522825	8521981
2229	8565013	8523257	_____

NOTE 1  
NOTES 1 & 2  
NOTE 1  
NOTE 2  
NOTE 1 & 2  
NOTE 1 & 2  
NOTE 1 & 2  
NOTE 1  
NOTE 1  
NOTES 1  
NOTES 1 & 2  
NOTES 2

TABLE 3  
KEYBOARD FEATURE JUMPER

THE FOLLOWING LIST DESCRIBES THE JUMPERS REQUIRED ON THE A-AI BOARD DEPENDING ON THE PARTICULAR KEYBOARD CONFIGURATION. THESE JUMPERS ARE NO. 30 BLACK WIRE (P/N 811695)

FEATURE NAME	FEATURE B/M	JUMPER REQUIRED
KATAKANA LANG	2568804	ADD A2B06 TO A2D08 B4B13 TO B3D08
NUMERIC LOCK FOR: U.S. ENGLISH U.K. ENGLISH KATAKANA	2568694	ADD B4B12 TO B4D08 REMOVE (IF IN)- B5B03 TO B5D08
NUMERIC LOCK FOR: GERMAN FRENCH ITALIAN	2568696	ADD B4B12 TO B4D08 B5B03 TO B5D08
BI-KEY TPWR KATAKANA LANG KEYBOARD	1655177	ADD A4B02 TO A5D08 A3B11 TO A3D08

NOTE 3

CARD READER FEATURE JUMPERS

[FEATURE NO. 4600 WITH 2706]  
IF A CARD READER IS INSTALLED IN A MACHINE WITH THE KATAKANA LANGUAGE FEATURE, A JUMPER IS REQUIRED ON THE A-AI BOARD BETWEEN N2D05 AND N3B05 USING NO. 30 BLACK WIRE (P/N 811695)

[FEATURE NO. 4600 IN ANY 3277 MACHINE]  
IF A CARD READER IS INSTALLED IN ANY 3277 MACHINE, A RESISTOR ASM. P/N 2568741 IS REQUIRED ON THE A-AI BOARD BETWEEN N2D03 AND N2J06

APL FEATURE MACHINES

THE CAPACITOR ASSEMBLY PART NUMBER 1746712 ON THE A-AI BOARD IS BETWEEN J2B04 AND K2D08

NOTES

- 1 THE "LATEST" P/N IS INTERCHANGEABLE FOR THE "EQUIVALENT" P/N, BUT THE "EQUIVALENT" IS NOT INTERCHANGEABLE FOR THE "LATEST"
- 2 EQUIVALENT PART NO. ARE INTERCHANGEABLE
- 3 THESE JUMPERS ARE ONLY TO BE ADDED FOR KATAKANA MACHINES HAVING NUMERIC LOCK FEATURE INSTALLED (BM 2568694), AND ONLY WHEN USING THE KATAKANA TYPEWRITER KEYBOARD (BM 1655177) WITH RE-WORK ACCOMPLISHED PER EC 310088G

SEE EC HISTORY		DRAWING TITLE	
JUN77	746050	3277 MOD 1 & 2 FEATURE	
JAN78	747009	MACH 3270	
MAY78	747514	PART NO 1564041	
D		CLASSIFICATION	IBM CORP

Z  
I  
O  
I

T