

Systems Reference Library

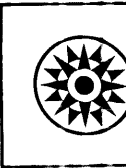
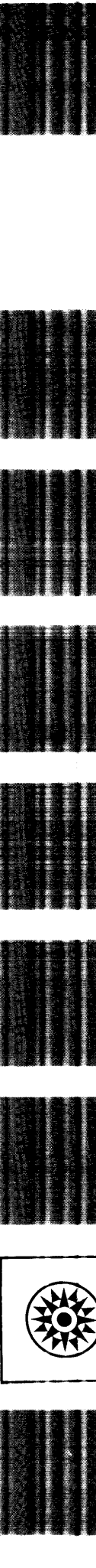
IBM System / 360 Model 65

Functional Characteristics

This manual presents the organization, characteristics, functions and features unique to the IBM System/360 Model 65. Major areas described are system structure, generalized information flow, standard and optional features, instruction timings, and the system control panel.

Descriptions of specific input/output devices used with the IBM System/360 Model 65 appear in separate publications. Configurations for the IBM 2065 Processing Unit and I/O devices are available. See *IBM System/360 Bibliography*, Form A22-6822.

It is assumed that the reader has a knowledge of the System/360 as defined in the *IBM System/360 Principles of Operation*, Form A22-6821 and the *IBM System/360 System Summary*, Form A22-6810.



Fourth Edition (September 1968)

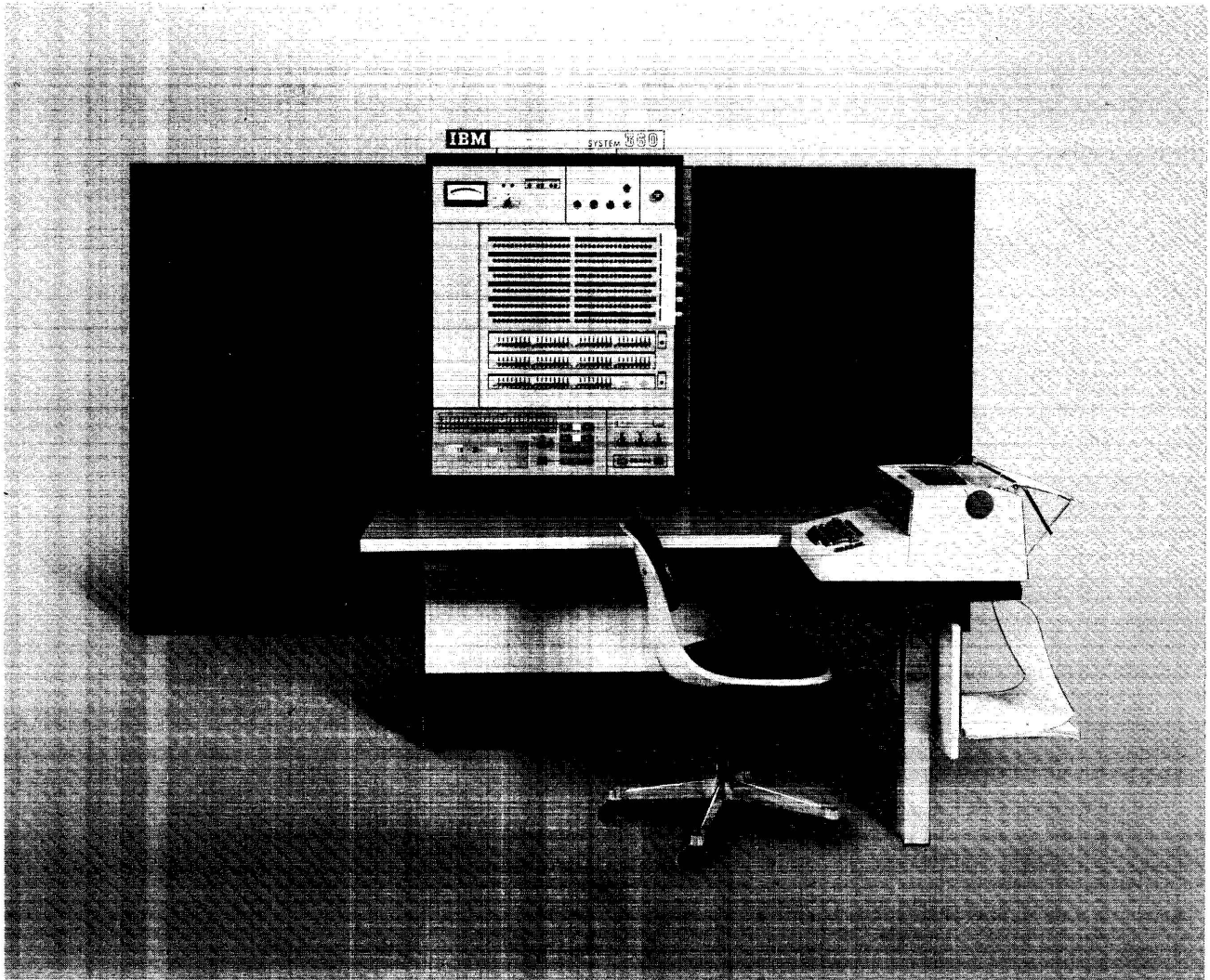
This is a major revision of, and obsoletes, A22-6884-0, -1, and -2, and Technical Newsletters N22-0211-1, N27-2909, N27-2916, N27-2919, and N27-2924. The entire sections headed "System Control Panel" and "Instruction Times" have been rewritten to reflect changes in the system. In addition, a summary of system control panel controls and indicators has been added as Appendix B, information on the 2365 Processor Storage Model 13, which is used exclusively in multiprocessing systems, has been added, and the references to the Shared Storage feature have been removed. Other changes to the text are indicated by a vertical line to the left of the change; revised illustrations are denoted by the symbol ● to the left of the caption.

Changes are periodically made to the specifications herein; before using this publication in connection with the operation of IBM systems, refer to the latest System/360 SRL Newsletter, Form N20-0360, for the editions that are applicable and current.

Copies of this and other IBM publications can be obtained through IBM Branch Offices. Address comments concerning the contents of this publication to:
IBM Corporation, Product Publications, Dept. 520, Kingston, New York 12401

Contents

System Description	5	System Control Panel	13
2365 Processor Storage Models 1 and 2	5	Operator Controls	13
2361 Core Storage	7	Operator Intervention Controls	16
2065 Processing Unit	8	Roller Indicators	18
Arithmetic-Logic Unit	8	Customer Engineering Control	19
Local Store	8	Key Switch and Meters	19
General Registers	8	Instruction Times	20
Floating-Point Registers	8	Introduction	20
Read Only Storage	8	Timing Considerations	20
Storage Control Unit	10	Timing Assumptions	20
Checking	10	Legends	20
Channels	10	Legends for Instructions with Multiple Timing	
2860 Selector Channel	10	Formulas	20
Channel-to-Channel Feature	10	Legends for Instructions with Single Timing	
2870 Multiplexer Channel	10	Formulas	21
System Control Panel	11	Average Instruction Times	22
Interruption Times	11	Detailed VFL Instruction Times (Models H, I, IH, J)	27
External Interruption	11	Timing Addenda for Operations with IBM 2361 Large	
Supervisor Call Interruption	11	Capacity Storage	28
Program Interruption	11	Instruction Fetch from LCS	28
Machine Check Interruption	11	Operand Fetches and Stores	28
I/O Interruption	11	Effect of change to Floating Point Feature	29
Relationship of Model 65 to other models of IBM		Appendix A. Multiprocessing System	30
System/360	12	Introduction	30
Model-Dependent Functions	12	Multisystem Feature	32
Instruction Execution	12	2365 Processor Storage Model 13	34
Machine-Check Interruption	12	Instruction Timing	34
Instruction-Length Code	12	Appendix B. Summary of System Control Panel	
		Controls and Indicators	35
		Index	38



IBM System/360 Model 65

The IBM System/360 Model 65 is part of a series of distinguished, compatible, high performance data processing systems. The Model 65 provides the reliability, convenience, and confidence demanded by large scale business and scientific computation.

The Model 65 includes the advantages, characteristics and functional logic established for the System/360, as defined in the *IBM System/360 Principles of Operation*, Form A22-6821.

Major components comprising a System/360 Model 65 consist of an IBM 2065 Processing Unit, IBM 2365 Processor Storage, IBM 2361 Core Storage, IBM 2860 Selector Channels and IBM 2870 Multiplexer Channel. Input/output (I/O) devices are attached to the channels through control units (Figure 1).

There are five models of the Model 65: G65, H65, I65, IH65, and J65. These models differ only in the amount of 2365 Processor Storage required with a 2065 Processing Unit. The significant differences are:

IBM System/360 Model	Processing Unit Model	Description
G65	2065G	Requires one 2365 Processor Storage Model 1 (131, 072 bytes of storage)
H65	2065H	Requires one 2365 Processor Storage Model 2 (262, 244 bytes of storage)
I65	2065I	Requires two 2365 Processor Storage Model 2 (524, 288 bytes of storage)
IH65	2065IH	Requires three 2365 Processor Storage Model 2 (786, 432 bytes of storage)
J65	2065J	Requires four 2365 Processor Storage Model 2 (1,048, 576 bytes of storage)

Outline configurations of the Model 65's, produced by the various combinations of a 2365 Processor Storage and a 2065 Processing Unit are shown in Figure 2.

The system control panel is located at one end of the 2065 Processing Unit. One or two optional IBM 1052 Printer-Keyboards may be placed adjacent to the 2065 Processing Unit reading board, to serve as an operator's console.

The standard features for an System/360 Model 65 include:

- Universal Instruction Set
- Interval Timer
- Storage Protection (both fetch and store)

Optional features for any System/360 Model 65 include:

- 2361 Core Storage (Model 1 and 2)
- 1052 Printer-Keyboard Model 7 Attachment (max of 2)
- Channel-to-Channel Feature
- Direct Control Feature
- 2870 Multiplexer Channel
- 7070/7074 Compatibility Feature (Models H65, I65, IH65, and J65 only)
- Emergency Power-Off Control (for interconnected units)
- 7080 Compatibility Feature (Models H65, I65, IH65, and J65 only)
- 7090/7040/7044/7090/7094II Compatibility Feature (Models I65, IH65, and J65 only)
- Multiprocessing System (two 2065 Model I's, IH's, or J's, each with Multisystem and Direct Control features, and from two to four 2365 Processor Storage Model 13's)

The multiprocessing features provide a means of interconnecting two Model 65 systems so that the main storage of each processing unit is accessible to the other. The 2365 Processor Storage Model 13's are used in multiprocessing systems only; they are basically the same as 2365 Model 2's except that they have a double BCU/storage interface which enables the storage to be shared by both processing units in the system. (2365-2's can be connected to 2365-13's at the customer's location.) All main storage of both systems is shared and is considered as a single unit when the systems are operating as a single system in a shared storage environment. All I/O units may be attached to either or both processing units. The multiprocessing features are noted in Figure 1 and are described in Appendix A.

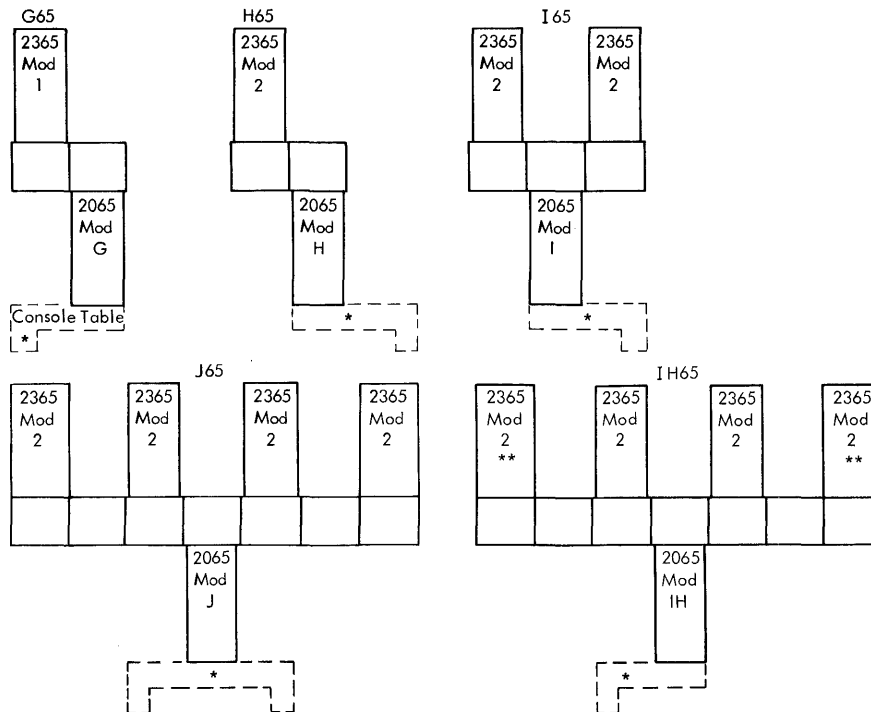
A variety of control units and input/output devices are available for use with the Model 65. Descriptions of specific input/output devices appear in separate publications. Configurations for the I/O devices and systems components are also available. See *IBM System/360 Bibliography*, Form A22-6822.

2365 PROCESSOR STORAGE MODELS 1 AND 2

The 2365 Processor Storage Models 1 and 2, is the main storage for the Model 65. Model 1 has a storage capacity of 262,144 bytes.

Each 2365 Processor Storage has a basic 750 ns storage cycle, with access to eight bytes (doubleword) in parallel. A store function is possible on a byte basis and any number or combinations up to eight contiguous bytes can be stored in one storage cycle. Byte locations are consecutively numbered starting with zero. An addressing exception is recognized when any part of an operand is located beyond the maximum available main storage capacity.

Each 2365 Model 2 contains two independent storage sections, each with its own address and storage buffer



*L-shaped console table may bend to either the left or the right (option). U-shaped console table, as shown for Model J65, is provided on any model that attaches two 1052-7's.

**Third 2365 Mod 2 can be in either end position.

Figure 2. 2065 Processing Unit and 2365 Processor Storage Configurations

registers. Each section can access a doubleword (eight bytes) in parallel and has 131,072 bytes of storage organized into 16,384 doublewords. One section contains even-numbered doublewords while the other section contains odd-numbered doublewords (Figure 3).

The two storage sections are two-way interleaved. With interleaving, the two storage sections operate in an overlapped manner for improved sequential access. This means that two sequential (odd-even) storage doublewords (16 bytes) can be referenced (overlapped) at the same time. With interleaving, an effective sequential access rate of 400 ns per storage word (eight bytes) is possible.

In addition to the two-way interleaving (overlap) within a single 2365 Model 2, storage accesses to any two 2365's or 2361's can be overlapped. The main storage unit, 2365 Processor Storage, or 2361 Core Storage used with the system, operate independently of each other. The Storage units are related only in that they serve the common function of main storage and are assigned storage addresses that are contiguous from one unit to the next. Because each storage unit is independent, the access of information within the address range of each unit can be overlapped.

2361 CORE STORAGE

The 2361 Core Storage is a large capacity direct access core storage unit. It has a basic 8-usec storage cycle, with access to two words (eight bytes) in parallel. The data access time (doubleword) is 3.6 usec. The remaining time is overlapped with execution and no further delay will occur unless the same storage unit is addressed during the remaining 4.4 usec. When the 2065 Processor addresses 2361 Storage, overlapped I/O references to 2365 Processor Storage are allowed. The reverse is also true.

The 2361 is an extension of the main (processor) storage; addresses are contiguous with the 2365 Processor Storage addresses. The 2361 Model 1 has a storage capacity of 1,048, 576 bytes and the Model 2 a storage capacity of 2,097, 152 bytes.

A 2361 Core Storage can be shared with a System/360 Model 50, another Model 65, or a Model 75. When shared, 2361 addresses are an extension of the addresses of the larger of the two processor storages involved. Storage protection is a standard feature.

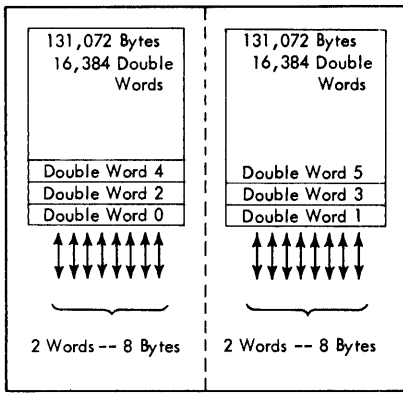


Figure 3. 2365 Processor Storage Model 2 Two-way Interleaving

The 2361's can be specified for two-way interleaving. Interleaving provides an addressing scheme between two 2361's that permits the overlapping of read/write storage cycles in sequential operations. A sequential access rate of 4 usec per doubleword is possible and sequential access speeds of 2 megabytes (two million bytes) per second are possible.

One 2361 Model 1 or four 2361 Model 2's, without interleaving, can be used with Model 65. Two 2361 Model 1's or two or four 2361 Model 2's, with interleaving, can be used with Model 65. 2361's not equipped for two-way interleaving cannot be intermixed with 2361's equipped for interleaving.

During the time a channel is transferring data at high speed to or from a 2361, the CPU may not be able to access that 2361 or any other attached 2361 if two-way interleaving is not used.

2065 PROCESSING UNIT

The 2065 Processing Unit is the central processing unit (CPU) for all Model 65's. The 2065 Processing Unit consists of data registers, interconnecting data paths and sequence controls. These facilities provide for addressing main storage (2365 Processor Storage), for fetching instructions in the desired order, and for initiating the communications between main storage and external devices (Figure 4).

The basic data path, with two arithmetic registers, allows for high speed and simplified implementation of the System/360 instruction set. In addition, an instruction buffer permits high-speed instruction preparation and overlap of most instruction fetch time.

The Model 65 is provided with the universal instruction set. The universal instruction set includes the standard instruction set, plus the instruction of the decimal feature, the floating-point feature, and the storage protect feature.

All instruction descriptions appear in *IBM System/360 Principles of Operation*. Timing information for each of the instructions is found in the instruction timing section of this manual.

The 2065 Processing Unit contains the following major logical parts:

- Arithmetic-logic units
- Local store
 - General registers
 - Floating-point registers
- Read-only storage
- Storage control unit

Arithmetic-Logic Unit

Two working arithmetic registers allow for high speed and simplified implementation of the arithmetic and logic operations. A parallel adder is a 60-bit wide binary adder used to facilitate handling of the long floating-point operations. The serial adder is an eight-bit decimal adder, also used as a binary adder. In addition, the logical functions OR, AND, and Exclusive OR can be effected.

Local Store

Local store is a small high-speed storage unit providing registers for general machine working storage plus the general and floating-point registers. Only the general and floating-point registers are addressable by the main program.

General Registers

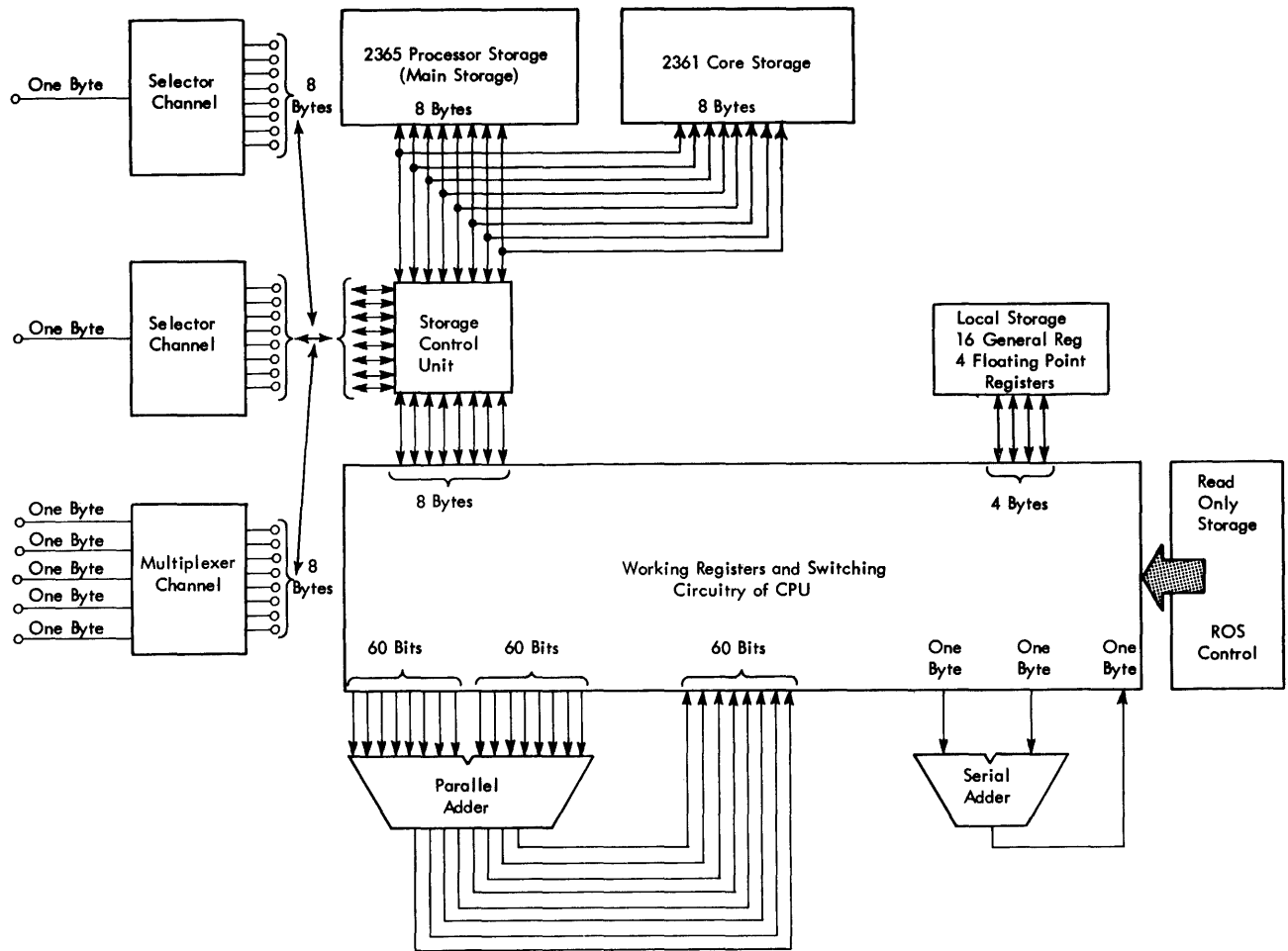
The general registers are used in address arithmetic and indexing, and as accumulators in fixed-point arithmetic and logical operations. The general-purpose registers have a capacity of one word (32 bits plus four parity bits). For some operations two adjacent registers can be coupled together providing a doubleword capacity. The general registers are implemented in local store and have a cycle time of 0.2 usec per four bytes.

Floating-Point Registers

Four floating-point registers are available for floating-point operations. These registers are two words (eight bytes) in length and can contain either a short (one-word) or a long (two-word) precision floating-point operand. The floating-point registers are implemented in local store and have a cycle time of 0.2 usec per four bytes.

Read Only Storage

The control function of the Model 65 is achieved by the use of a read only storage (ROS). The ROS is self-addressable, and contains predetermined information of a non-destructive nature used to control the functions of data flow and instruction execution. ROS is not directly addressable by the main program. Modification of the



	Data Width	Access/Speed/Rate	Comment
2365 Processor storage	8 bytes	0.75 microsecond storage cycle	All models
2361 Core Storage	8 bytes	8 microsecond storage cycle	All models
General registers	1 word	200 nanoseconds	16 General registers
Floating-point registers	2 words	200 nanoseconds/word	4 Floating-point registers
Parallel adder	60 bits	200 nanoseconds	
Serial adder	1 byte	200 nanoseconds	
Basic machine cycle		200 nanoseconds	
2860 selector channel	1 byte	1.3 million bytes/sec	8 bytes to storage
2870 Multiplexer channel	1 byte	110 kb to 670 kb	8 bytes to storage
Burst mode	1 byte	110 kb*	
Multiplexer mode	1 byte	110 kb*	
Selector subchannel	1 byte	180 kb, each (reduced to 100 kb on 4th subchannel)	

*Reduced by activity on selector subchannels

Figure 4. Model 65 Data Flow Diagram and System Statistics.

unit is made by physically changing a portion of the ROS unit.

Storage Control Unit

The storage control unit handles all processor and channel references to main storage (2365 Processor Storage and 2361 Core Storage). The storage control unit operates in parallel with and is effectively independent of both the processor and all channels. Its function is to handle all requests for use of storage and to determine action to be taken in case of simultaneous requests either between channels or between channels and the processor (Figure 4). It is designed to minimize the number of storage references made by the channels or processor and to permit overlap of storage references, whenever possible.

Checking

Extensive checking capability is built into all units of the Model 65 based largely on a byte parity check. All data transfers are checked for correct parity both within and between units of the system. All storage references in either the 2365 Processor or 2361 Core Storage are checked for proper parity within the unit itself.

The 2065 Processing Unit includes checking of data transfers, arithmetic functions, as well as performing a parity check of the ROS control words.

The 2860 Selector Channel and 2870 Multiplexer Channel check parity of data transfers, and check the correctness of its arithmetic function.

CHANNELS

Channels provide the data paths and direct control for I/O control units and the I/O devices attached to the control units. Channels relieve the CPU of the task of communicating directly with the I/O devices and permit data processing to proceed concurrently with I/O operations.

Data is transferred one byte at a time between an I/O device and a channel. Data transfers between a channel and the storage control unit are parallel by eight bytes for both selector and multiplexer channels (Figure 4).

A standard I/O interface provides a uniform method of attaching I/O control units to all channels, making the Model 65 adaptable to a broad spectrum of applications.

The 2860 Selector Channel and the 2870 Multiplexer Channel are available for the Model 65.

2860 Selector Channel

The 2860 Selector Channel provides for the attachment and control of burst mode I/O control units and associated devices. The 2860 is available in three models:

- Model 1—provides one selector channel
- Model 2—provides two selector channels
- Model 3—provides three selector channels

Two 2860's in any combination of models can be attached to the processing unit. At least one 2860 (any model) or 2870 is required.

The selector channel permits data rates of 1.3 million bytes per second. I/O operations are overlapped with processing and depending on the data rate, all selector channels can operate concurrently. A full set of channel control and buffer registers permits each channel to operate with minimal interference.

A maximum of eight control units can be attached to each selector channel. Each channel may have more than one unit connected to it, but only one device per channel may transfer data at any given time.

Channel-to-Channel Feature

A channel-to-channel adapter is available as an optional feature. The adapter permits the communication between two System/360 channels, thus providing the capability for interconnection of two processing units within the System/360. The adapter uses one control unit position on each of the two channels. Only one of the two connected channels requires the feature. There can be a maximum of one channel-to-channel adapter per channel.

2870 Multiplexer Channel

The 2870 Multiplexer Channel provides for the attachment of a wide range of low to medium speed I/O control units and associated devices. One 2870 Multiplexer Channel can be attached to the Model 65.

The multiplexer channel provides up to 196 subchannels, including four selector subchannels. The basic multiplexer channel has 192 subchannels; it can attach eight control units and can address 192 I/O devices. The basic multiplexer channel can overlap the operation of several I/O devices in multiplex mode or operate a single device in burst mode. One to four selector subchannels are optional with a 2870. Each selector subchannel can operate one I/O device concurrently with the basic multiplexer channel. Each selector subchannel permits attachment of eight control units for devices having a data rate not exceeding 180 kb. Regardless of the number of control units attached, a maximum of 16 I/O devices can be attached to a selector subchannel.

The maximum aggregate data rate for the multiplexer channel ranges from 110 to 670 kb depending on the number of selector subchannels installed. Selector subchannels 1-3 may each operate concurrently at up to 180 kb; selector subchannel 4 has a maximum data-rate of 100 kb. Each selector subchannel in operation diminishes the basic multiplexer channel's maximum data-rate of 110 kb; the relationship to maximum data-rates for concurrent selector subchannel operations is shown in the following table:

Basic Multiplexer Channel	Selector Subchannels				Aggregate Data Rate
	1st	2nd	3rd	4th	
110kb					110kb
88kb	180kb				268kb
66kb	180kb	180kb			426kb
44kb	180kb	180kb	180kb		584kb
30kb	180kb	180kb	180kb	100kb	670kb

Note: The 180 kb maximum data-rate for selector subchannels pertains to attachment of magnetic tape devices; timing factors other than data-rates may preclude attachment of direct access storage devices having lesser data-rates.

Channel-to-Channel Adapter Connection to 2870

The 2870 may be connected to another system channel for channel-to-channel interconnection of two System/360 channels. The channel-to-channel adapter however, is installed on the other channel, not on the 2870.

2870 Priority

When both 2860 and 2870 channels are installed, the 2870 is connected to the end of the channel cable. When the 2870 operates concurrently with one or more 2860 channels, however, the 2860 channels 1 and 2 have priority over the 2870 channels.

SYSTEM CONTROL PANEL

The system control panel, located at one end of the 2065 Processing Unit, provides the switches, the keys and the lights necessary to operate, monitor and control the Model 65. The need for operator manipulation of manual controls is held to a minimum by the system design and the governing supervisory program.

The operator control section of the system control panel can be duplicated once to provide a remote operator control panel that may be mounted on a 2150 Console or a 2250 Display Unit Model 1. An optional console

typewriter input/output function can be provided by a 1052 Printer-Keyboard mounted either adjacent to the console table reading board or on a 2150 Console.

A detailed description of operator functions provided by the switches, keys and lights of the control panel is located in the system control panel section of this manual.

INTERRUPTION TIMES

Interruption times vary for the class of interruption and the type of instruction being executed at the time of the interruption.

External Interruption

External interruption time is 3.15 usec; it extends from the time the external interruption is discovered and honored to the next instruction.

Supervisor Call Interruption

Supervisor Call Interruption time is 3.95 usec, including instruction time; it extends from the time Supervisor Call interruption is discovered and honored to the next instruction.

Program Interruption

Program interruption time is equal to or less than 3.15 usec; it extends from the time the program interruption is discovered and honored to the next instruction.

Machine Check Interruption

Machine check interruption time is 50 usec, including scan out and reset time; it extends from the time the machine check interruption is discovered to the next instruction.

I/O Interruption

The I/O interruption time is 4.65 usec (average); it extends from the time the CPU takes a pending interruption from the channel to the storing of the old PSW and the CSW.

Relationship of Model 65 to Other Models of IBM System/360

MODEL-DEPENDENT FUNCTIONS

The compatibility rule of System/360 does not apply to a number of detail functions for which neither the frequency of occurrence nor usefulness of results warrants identical action on all models. These functions are concerned with the handling of invalid programs and machine malfunctions, and are explicitly identified in *System/360 Principles of Operation*, Form A22-6821, in the section "Functions that May Differ Among Models." Whenever model dependency exists, the definition of System/360 allows choice in implementation or specifies that the operation is unpredictable. The intent is that the user should ignore results that are defined as unpredictable and should not base his program on any function where choice in implementation is permitted.

Considering any particular installation and operation, the operation normally is not truly unpredictable; the action may depend on the particular system components or on the input data. The purpose of this section is to describe how some of the model-dependent functions are performed on the Model 65.

It should be noted, however, that writing a program on the basis of information contained in this section is in violation of the rules of compatibility of System/360. If a program relies on a function that is model dependent, it may not run on another model of System/360. Even if the program takes into account the model-dependent operation of all other models of System/360, difficulties may be encountered if and when new models of System/360 are introduced. Furthermore, a mandatory engineering change may in some instances require a change in the execution of a model-dependent function in a machine installed in a customer's office, and hence may require changes in a program making use of such model-dependent information.

INSTRUCTION EXECUTION

The Diagnose instruction is used for compatibility feature operation and for maintenance purposes. When the Model

65 is equipped with a compatibility feature, the I_2 field of the Diagnose instruction can be coded to allow entry into Emulator mode. When $I_2 = 02$, the Diagnose instruction becomes an Enter Emulator Mode instruction. Further information on use of the Diagnose instruction with the compatibility feature is described in the following publications: *IBM System/360 Special Feature Description, 709/7040/7044/7090/7094II Compatibility Feature for System/360 Models 65 and 67*, Form A27-2715; *IBM System/360 Special Feature Description, 7074 Compatibility Feature for System/360 Models 50 and 65*, Form A27-2717; and *IBM System/360 Special Feature Description, 7080 Compatibility Feature for System/360 Model 65*, Form A27-2716.

MACHINE-CHECK INTERRUPTION

For a machine-check interruption, the old PSW is stored at location 48 with a zero interruption code. The state of the CPU is scanned out into the CPU diagnostic scan-out area, which is 22 doublewords (176 bytes) in size and starts at location 128; the channel scan-out area is three doublewords in size, starting at location 304.

INSTRUCTION-LENGTH CODE

When the instruction-length code in the program old PSW is zero, the exception was not necessarily caused by the last instruction executed. Interruptions that cause a zero instruction-length code to be set in the program old PSW are referred to as imprecise program interruptions, and the exceptions causing such interrupts are referred to as imprecise exceptions. By contrast, a program interruption associated with a non-zero instruction-length code, and the corresponding exception, are referred to as precise. In the Model 65, an imprecise program exception can occur only when a protection check (store only) is encountered.

Operational control of IBM System/360 Model 65 is centralized in the system control panel on the 2065 Processing Unit (frontispiece). The control panel contains indicators, switches, keys, and register displays for the operator's use. The operator control section of the system control panel can be duplicated once to provide a remote operator control panel that may be mounted on a 2150 Console or a 2250 Display Unit Model 1. An optional console typewriter I/O function can be provided by an additional 1052 Printer-Keybaord.

The control panel is used to:

1. Turn system control on and off.
2. Reset the system.
3. Initial Program load information (IPL).
4. Store, display, and alter information in storage, registers, and program status word (PSW).
5. Provide operator-to-machine communication (in conjunction with the 1052).
6. Permit operator intervention.
7. Perform customer engineering (CE) maintenance.

The system control panel (Figure 5) contains the switches and indicators necessary to operate and control the system. Switches and indicators are also provided for operator intervention and for customer engineering operations.

The operator control sections (sections G and C) are located in the lower- and upper-right portions of the system control panel. For monitor control operations, an identical control section can be provided on an IBM 2150 Operator's Console. Operator control sections are the same throughout the System/360 line, providing operations with compatibility between machines. These sections are described both in this section and in the *IBM System/360 Principles of Operation* manual.

Operator intervention controls and indicators are located in sections E and F of the system control panel. These are also described both in this section and in the *IBM System/360 Principles of Operation* manual. Appendix B summarizes all system control panel controls and indicators.

The customer engineer uses all controls and indicators; however, many of the controls and indicators located in sections A, B, E, and F are intended primarily for customer engineering use and are not functionally described in this publication.

Through use of the control panel, the operator can perform the following important system functions:

1. Reset the system.
2. Store and display information in storage, in registers, and in the PSW.
3. Load initial program information.

These functions are described in the *IBM System/360 Principles of Operation* manual.

OPERATOR CONTROLS

The main functions provided by the operator controls are the control and indication of power, initial program loading, operator-to-machine communication (by external interruption), and indication of system status.

Operator controls and indicators are as follows:

<u>Name</u>	<u>Panel</u>	<u>Type</u>
EMERGENCY PULL	C	Pull switch
POWER ON	G	Pushbutton, backlighted
POWER OFF	G	Pushbutton
LOAD UNIT	G	Rotary switches (3)
LOAD	G	Pushbutton
INTERRUPT	G	Pushbutton
SYSTEM	G	Light
MANUAL	G	Light
WAIT	G	Light
TEST	G	Light
LOAD	G	Light

Notes:

1. Operator intervention controls are described later in this section.
2. All pushbuttons have momentary action.

EMERGENCY PULL Switch

Pulling this switch turns off all power beyond the power-entry terminal on every unit that is part of the system or that can be switched onto the system; therefore, the switch controls the system proper and all off-line and shared control units and I/O devices.

The switch latches in the out position and can be restored to its normal position by maintenance personnel only.

When the EMERGENCY PULL switch is in the out position, the POWER ON pushbutton is ineffective.

POWER ON Pushbutton

Pressing this pushbutton initiates the power-on sequence of the system.

As part of the power-on sequence, a system reset is performed in such a manner that the system performs no instructions or I/O operations until explicitly directed. The contents of main storage are preserved.

The POWER ON pushbutton is backlit (white light) to indicate when the power-on sequence is completed. Any abnormal power condition causes the light to change from white to red. The pushbutton is effective only when the EMERGENCY PULL switch is in the normal (in) position.

POWER OFF Pushbutton

Pressing this pushbutton initiates the power-off sequence of the system.

The contents of main storage (but not the controls in storage associated with the protection feature) are preserved, provided the CPU is in the stopped state. The pushbutton is effective while power is on the system. There is a 5-second delay between depression of the button and the removal of power.

INTERRUPT Pushbutton

Pressing this pushbutton requests an external interruption. The interruption is taken when not masked off and when the CPU is not stopped. Otherwise, the interruption request remains pending. Bit 25 in the interruption-code portion of the current PSW is made 1 to indicate that the INTERRUPT pushbutton is the source of the external interruption. (See Appendix B for the PSW format.) The pushbutton is effective while power is on the system.

LOAD UNIT Switches

Three rotary switches provide the 11 rightmost I/O address bits used for initial program loading. The leftmost rotary switch has eight positions, labeled 0–7. These positions are used for the channel address. The middle (16-position) rotary switch, labeled 0–F hexadecimal, is for the control unit address. The rightmost (16-position) rotary switch is for the device address. These switches may be set without disturbing CPU operations. The actual IPL does not start until the LOAD pushbutton is pressed.

LOAD Pushbutton

Pressing this pushbutton starts initial program load. The control is effective while power is on in the system. Loading is from the I/O unit specified in the three LOAD UNIT switches. Pressing the LOAD pushbutton first causes a system reset and then loads the first 24 bytes of information from the load unit into the first 24 bytes of main storage. Note that the LOAD pushbutton is normally used when the CPU is in the stopped state.

SYSTEM Light

This light is on when the CPU cluster meter or customer engineering meter is running.

MANUAL Light

This light is on while the CPU is in the stopped state. Several manual controls are effective only while the CPU is stopped (the MANUAL light is on). Press START to exit from this state (to resume processing).

WAIT Light

This light is on while the CPU is in the wait state; in this state, bit 14 of the current PSW is a 1 (see Appendix B for PSW format). To exit from wait state (to resume instruction processing), an interruption (normally external or I/O or an IPL must be provided).

Note: The states indicated by the WAIT and MANUAL lights are mutually independent. The wait state is program-initiated and is terminated by an IPL or an interruption, whereas, the manual state is initiated and terminated by the operator. The status of the SYSTEM light is a function of the running condition of the cluster meter; the SYSTEM light is on while the cluster meter is running. The following table shows the possible configurations of the three lights while power is on:

SYSTEM Light	MANUAL Light	WAIT Light	CPU State	I/O State
Off	Off	Off	*	*
Off	Off	On	Wait	Not working
Off	On	Off	Stopped	Not working
Off	On	On	Stopped, Wait	Not working
On	Off	Off	Running	Undetermined
On	Off	On	Wait	Working
On	On	Off	Stopped	Working
On	On	On	Stopped, Wait	Working

* Abnormal condition

LOAD Light

This light is on during initial program loading; it is turned on when the LOAD pushbutton is pressed and is turned off after loading of the new PSW is completed successfully.

TEST Light

This light is on when a manual control is not in its normal position or when a maintenance function is being performed for CPU, channels, or storage.

Any abnormal switch setting on the system control panel or on any separate maintenance panel for the CPU, storage, or channels that can affect the normal operation of a program causes the TEST light to be on. (The TEST light does not reflect the state of marginal voltage controls.)

The normal position for all rotary switches is straight up; for all toggle switches, the normal position is straight out. When not in their normal positions, the following switches cause the TEST light to be on:

ADDRESS COMPARE STOP
DEFEAT INTERLEAVING
PULSE MODE
CPU CHECK
REPEAT INSN
REPEAT ROS ADDRESS
CE Mode Key
TEST MODE: ROS/PROC/FLT
RATE
DISABLE INTERVAL TIMER
STOP ON STORAGE CHECK

Note that certain functions under control of the Diagnose instruction, certain circuit breaker conditions, and certain thermal conditions may also turn on the TEST light.

OPERATOR INTERVENTION CONTROLS

Sections F and E of the system control panel contain the controls required for the operator to intervene in normal programmed system operations. These controls are intermixed with the customer engineering controls. Only the operator intervention controls on these panels are described in this section.

Operator intervention controls provide the system reset and the store and display functions.

START Pushbutton

This pushbutton provides a means of starting the CPU in the Process, Instruction Step, Single Cycle, or Single Cycle Storage Inhibit mode, depending on the position of the RATE switch.

1. If this switch is pressed after a normal halt, instruction processing continues as though no halt had occurred. Pending interruptions are taken after execution of the first instruction.
2. If the pushbutton is pressed after an abnormal halt or system reset, the results will not necessarily be predictable.
3. The type of operation executed by the START pushbutton depends on the position of the RATE switch (described later in this section).

STOP Pushbutton

This pushbutton provides the capability of completely terminating machine operations without destroying the machine environment.

1. The CPU proceeds to the end of the machine instruction being executed at the time the STOP command is recognized.
2. All waiting interruptions not masked off are executed.
3. All I/O operations in process are allowed to be completed.
4. The CPU is placed in the stopped state.
5. The operator can continue normal program operation by pressing the START pushbutton, or he can execute certain manual operations (e.g., an instruction-step operation).

RATE Switch

This rotary switch, which selects the rate at which instructions are executed, has four positions: PROCESS, INSN STEP (instruction step), SINGLE CYCLE, and SINGLE CYCLE STORAGE INHIBIT.

Pressing the START pushbutton with the RATE switch in the PROCESS position causes the system to operate at the normal clock speed of 200ns.

With the RATE switch set to the INSN STEP position, the system executes one complete machine instruction for each depression of the START pushbutton. (The interval timer is disabled during Instruction Step mode.)

1. Any machine instruction can be executed in this mode. Interruptions are executed after the instruction is completed.
2. The stop point is identical with that achieved by the STOP pushbutton.
3. When I/O operations are started, they are completed to the interruption point.
4. The TEST light is on when RATE switch is in the INSN STEP position.

With the RATE switch set to the SINGLE CYCLE position, each depression of the START pushbutton advances the CPU by one 200ns machine cycle.

1. When the instruction being single-cycled uses asynchronous devices, it single-cycles through all CPU functions of the instruction to the initiation point of the asynchronous operation. The asynchronous operation starts on the next depression of the START pushbutton and runs to the completion point in a normal manner.
2. If the asynchronous device initiates an interruption request during a single-cycle operation it is not automatically executed. The interruption is divided into single operations. More than one depression of the START pushbutton is required to complete the transfer of PSW's.
3. During CPU storage cycles, more than one clock pulse is taken for each depression of the START pushbutton.
4. The TEST light is on when RATE switch is in the SINGLE CYCLE position.

The SINGLE CYCLE INHIBIT position is for customer engineering functions.

SYSTEM RESET Pushbutton

This pushbutton resets the on-line channels, control units, and CPU controls, including machine checks, to their initial state.

1. The pushbutton is active in all modes of operation.
2. All check indicators are reset.
3. The data flow registers are not reset.
4. A system reset does not affect equipment in off-line channel operations.
5. The CPU is placed in the stopped state.
6. Since a system reset can occur in the middle of an operation, the contents of the PSW and of result registers and storage locations are unpredictable.

CHECK RESET Pushbutton

This pushbutton provides a means of resetting all check indicators in the CPU to the nonerror state.

1. Pressing the pushbutton resets all CPU check triggers and latches to the no-check state (it is a subset of the SYSTEM RESET pushbutton).
2. This reset clears all CPU logic check indicators on the system control panel.
3. If the CPU is stopped because of a machine check, processing continues when the check indicators are reset. In this case, results are not predictable.

STORAGE SELECT Switch

This toggle switch provides a means of selecting the storage unit that is to be addressed by the ADDRESS keys when used with the DISPLAY or the STORE pushbutton.

1. The MAIN position selects the main storage for addressing when storing or displaying.
2. The LOCAL position selects the local store for addressing when storing or displaying.
3. The MAIN BYTE position selects the main storage for addressing when storing or displaying but causes only the byte addressed by the three low-order ADDRESS keys to be stored.

ADDRESS Switches

These 24 toggle switches provide a means of manually selecting an addressable location in storage.

1. The 24 switches are arranged in hexadecimal groups to permit storage addressing.
2. Correct parity is generated automatically.
3. Switches 2 through 20 are used with the ADDRESS COMPARE switch to select an address for an address compare stop or an address compare sync.
4. Switches 0 through 11 are used for selection of ROS address and for a ROS compare sync. The sync pulse is provided whenever the ROS address compares successfully with the configuration placed in these switches.

DATA Switches

These 64 toggle switches provide a means of manually entering data into the location selected by the STORAGE SELECT switch and the ADDRESS switches.

1. The 64 switches are arranged in hexadecimal groups to permit data entry.
2. Correct parity is generated automatically.
3. Switches 53 through 63 are used as a count when the pulse mode count function is being performed.

STORE Pushbutton

This pushbutton provides a means of storing information into any address in the storage specified by the STORAGE SELECT toggle switch.

1. The contents of the DATA switches are placed in the location specified by the ADDRESS switches and the STORAGE SELECT switch.
2. Correct parity is generated automatically.
3. If the STORAGE SELECT switch is in the MAIN position, the entire contents of the DATA keys are stored in the main storage.
4. If the STORAGE SELECT switch is in the LOCAL position, the five low-order ADDRESS switches specify the local store location in which the contents of the right half of the configuration in the DATA switches will be stored. ADDRESS switch 19, when in the 0 position, permits storing in the general-purpose registers; when in the 1 position, switch 19 permits storing into the floating-point registers. The specific address is determined by the five low-order ADDRESS switches. ADDRESS switches 19 and 20, when set to 1's, address the working register (a local storage register not accessible under program control).
5. If the STORAGE SELECT switch is in the MAIN BYTE position, the byte of data in the DATA switches specified by the three low-order bits of the ADDRESS switches is stored in main storage at the address specified by the ADDRESS keys.
6. The machine must be in a stopped state for this pushbutton to function.

DISPLAY Pushbutton

This pushbutton is pressed to display information in the location specified by the STORAGE SELECT switch and the ADDRESS switches.

1. If the STORAGE SELECT switch is in the MAIN BYTE or MAIN position, the information in main storage at the address specified by the ADDRESS switches is displayed in the ST and AB registers. (See "Roller Indicators.")
2. If the STORAGE SELECT switch is in the LOCAL position, the information in the local store is displayed in the T-register. (See "Roller Indicators.") The machine must be in a stopped state for this pushbutton to function.

ADDRESS COMPARE STOP Switch

This toggle switch provides a machine stop on a CPU storage compare.

1. In the center (normal) position, a synchronizing pulse (for CE use) is provided whenever the storage address bus compares successfully with bits 2 through 20 of the ADDRESS keys.
2. In the down (stop) position, the machine stops at the end of the instruction in progress whenever the storage address bus compares successfully with bits 2 through 20 of the ADDRESS keys.
3. The TEST light is on whenever this switch is in the down position.

PSW RESTART Pushbutton

This pushbutton switch provides a method to restart programs by loading a new PSW from the contents of storage locations 0–7.

1. With the machine in the stopped or reset state, pressing this pushbutton causes a new PSW to be fetched from storage locations 0-7.
2. The CPU continues processing after the new PSW is fetched if the RATE switch is in the PROCESS position.

SET IC Pushbutton (Instruction Counter)

This pushbutton is pressed to enter an address into the instruction address of the current PSW.

1. This pushbutton sets bits 40-63 of the current PSW to the value specified in the ADDRESS switches. The CPU is reset to the start of an I-fetch at that address. The instruction at the specified location is then fetched and loaded into the instruction buffer, and the instruction counter is updated. The machine then returns to the stopped state.
2. The machine must be in the stopped state for this pushbutton to function.

Note: The instruction address is displayed in the D-register when the CPU is in the stopped state. (See “Roller Indicators”.) The new address contained in the instruction counter is one or two doublewords more than the instruction address contained in the address switches.

CPU CHECK Switch

This toggle switch provides a means of controlling the system when a machine check is encountered.

1. With this switch in the PROC position, the CPU stops when a machine check is detected. Also, the machine status is logged to storage and an interrupt trap is initiated if the machine check mask in the PSW is a 1. If the machine check mask in the PSW is a 0, the check is ignored except that the check triggers are turned on.

2. With this switch in the STOP position, the check triggers are set when a machine check is detected. The CPU stops and no logout occurs. If the CHECK RESET pushbutton is pressed, the operation is resumed, but the results are not predictable.
3. With this switch in the DSAB position, the check triggers are set when a machine check is detected. Logout, interruption, and termination do not occur. The check triggers can be reset by pressing the CHECK RESET pushbutton or by a system reset.
4. The TEST light is on whenever this switch is in the STOP or the DSAB position.

LOG OUT Pushbutton

This pushbutton provides a means of logging the machine status into storage.

1. Pressing this pushbutton causes the machine status to be stored in fixed locations in main storage.
2. This pushbutton is inactive under a normal processing condition. Logout is the process of storing the status of most of the CPU indicators and registers in main storage. The logout area occupies 44 words or 176 bytes of main storage, starting at byte 128.

STOP ON STORAGE CHECK Switch

This switch provides a means of inhibiting storage accesses when a storage check occurs so that the indicators will not be changed. Storage checks resulting from accesses by channels and other processors also cause a stop. The switchable indicators (rollers) are checked to determine the error and the address of the failing main storage word.

This switch should be operated with the CPU CHECK switch in the STOP position. The storage-stop state caused by a storage check is different from the stopped state.

The TEST light is on whenever this switch is in the down position.

STORAGE INDICATE Switch

Information from a maximum of eight storage arrays (Model J65; two 128K byte storage arrays per 2365) can be displayed by the roller indicators. Depending on the setting of this switch, information from storage arrays 1 through 4 or from storage arrays 5 through 8 is displayed.

ROLLER INDICATORS

Section E contains six rows of 36 indicator lights. Above each row of lights is an opening, and behind each opening is a roller that can be positioned to indicate the significance of the related indicator lights for various operations. Each roller is manually placed in one of six positions by a positioning knob at the right side of panel E (Figure 1). The

significance of each roller position is indicated by the printing on the face of the panel located beside the related positioning knob.

In the display main storage operation, the contents of the addressed main storage locations are displayed in the ST and AB registers. For this operation, the ST register is identified on roller 1, position 3 and roller 2, position 3. The AB register is identified on roller 3, position 3 and roller 4, position 3.

In the display local storage operation, the contents of the addressed register are displayed in the T-register. The T-register is identified on roller 2, position 3.

When the CPU is in the wait or stopped state, all but two parts of the current PSW are identified on roller 4, position 1. The two exceptions are: (1) the instruction address, which is displayed in the D-register (roller 1, position 2), and (2) the instruction length code (ILC), which is displayed in E-register positions 0 and 1 (roller 5, position 3).

CUSTOMER ENGINEERING CONTROL

The ROS (read-only storage) TRANSFER and the RE-START FLT I/O pushbuttons, as well as all lever switches except STORAGE SELECT, are principally for customer engineering use. All switches and lights and the meter in sections A and B are for customer engineering use only.

KEY SWITCH AND METERS

The customer usage meter and CE meter are on section F of the system control panel. The CE key switch determines which of these meters is to be run while the system is in operation, i.e., initiating, executing, or completing instructions, including I/O and assignable unit operations. The SYSTEM light, located on section G, indicates when the system is in operation. The TEST light is turned on when the key switch is in the CE meter position. (Other conditions that turn on this light are listed in the TEST light description earlier in this section.)

Instruction Times

INTRODUCTION

Two types of instruction times are listed in this section: the average times for all instructions executed by the Model 65, and the detailed times for all variable field length (VFL) instructions executed by the Model 65. All symbols used in these lists are defined in the Legends description, which precedes the lists. Standard IBM System/360 instruction timing formula legends have been used.

The times within each listing are provided for instruction execution when instructions and data are located in IBM 2365 Processor Storage. Additional time must be added if the instructions and data are located in IBM 2361 large capacity storage (LCS); the additional times are given in the last part of this section.

Unless otherwise noted, all times in this section are in microseconds. Complete information on each instruction is presented in the publication *IBM System/360 Principles of Operation*, Form A22-6821.

Timing Considerations

Unless otherwise noted, the following conditions were used in the development of the instruction-time listings:

1. The time required for indexing by a base register is included in the times given. For those instructions that can be double-indexed (indicated by one or two asterisks in the Instruction column on the list of average instruction times, an additional 0.2 usec (two asterisks), 0.10 usec (Model G-one asterisk) or 0.15 usec (Models II, I, J - one asterisk) must be added to the times given in the table.
2. In all arithmetic operations, positive and negative operands are equally probable.
3. Each bit location has equal probability of containing bit values 0 or 1, and each bit location is independent of other bit locations.
4. Addresses for unsuccessful branches are valid unprotected storage locations.
5. Decimal data may contain digit values 0-9 in each digit position with equal probability. When either the multiplier of a Multiply Decimal instruction or the divisor of a Divide Decimal instruction contains the digits 5 or 6 in each position, the resulting instruction time will be slower than average (worst case). An incremental decrease in instruction time is realized as the digits descend from 5 to 0 or ascend from 6 to 9.
6. Instructions may start on even or odd halfwords with equal probability.
7. Interruptions are not reflected in these timings.
8. All timings provided include both decoding and execution times for instructions.

Timing Assumptions

Unless otherwise noted, the following assumptions were used in the development of the instruction-time listings:

1. For the Add Decimal (AP) and Subtract Decimal (SP) instructions, the first operand (i.e., the destination field) is assumed to be equal to or greater than the length of the second operand (i.e., the source field).
2. In the Edit and Mark (EDMK) instruction, an address is stored once; i.e., this instruction is used with a single field, or a line with only one numeric field is employed rather than a complete print line.
3. For a multiprocessing system, refer to the "Instruction Timing" portion of Appendix A for additional timing considerations.
4. The instruction times for floating-point instructions depend on both the number of hexadecimal digits that are preshifted and post-shifted, and on the number of times the result is recomplemented. The floating-point instruction times given in this section are a weighted average of these variables.
5. For the Pack (PACK), Unpack (UNPK) and Move with Offset (MVO) instructions, it is assumed that no overflow field occurs.
6. In Models IH65 and J65, add 50 ns to instruction times (RX, RS, SI, and SS formats) given for each reference to third and fourth storage elements for cable delay (see Figure 2).

LEGENDS

Legends for Instructions with Multiple Timing Formulas

Legends A₁ to A₄ are timing formulas for the Store Multiple or Load Multiple instruction, depending upon quantity of general registers and the position of doubleword boundaries:

- A₁: Use if the number of registers is 2, and if the operand lies on doubleword boundaries.
- A₂: Use if the number of registers is > 2 and even, and if the operand lies on doubleword boundaries.
- A₃: Use if the number of registers is even, and if the operand does not lie on doubleword boundaries.
- A₄: Use if the number of registers is odd.

Legends E₅ and E₆ are timing formulas to use for the Execute instruction, depending upon instruction length code and varying conditions:

E₅: Use if subject instruction is a successful branch.
 E₆: Use if subject instruction is not a successful branch.
 Legends V₁ to V₆ are timing formulas to use for the Move instruction, depending upon the location of operand fields:

- V₁: Use if first and second operand fields start and end on doubleword boundaries.
- V₂: Use if first and second operand fields start at corresponding byte addresses within doublewords, but do not lie on doubleword boundaries.
- V₃: Use if first and second operand fields do not start at corresponding byte addresses within doublewords or if $N < 8$.
- V₅: Use if $N_1 \leq N_2$
- V₆: Use if $N_1 > N_2$

Note: A byte address of a doubleword can have the value 0, 1, 2, 3, 4, 5, 6, or 7. A doubleword (8 bytes) must have an address that is a multiple of the number 8, but the four low-order bits of the binary address of a byte within a doubleword can have any value 0 to 7.

Legends for Instructions with Single Timing Formulas

- B = Total number of bytes of the first operand which are processed. Applies to instructions with a single length field.
- E = Time for the subject instruction which is executed by the Execute instruction.
- ED = External Delay.
- F₁ = 1 if the branch operation is successful.
= 0 otherwise.
- G₁ = 1 if an overflow interruption occurs (PSW bit 36=1) or fixed point divide interruption occurs.
= 0 otherwise.
- G₃ = 0 if operand to be converted is positive.
= 1 otherwise.
- GR = Number of general registers loaded or stored.
- M = Greater of N₁ or N₂.
- MK = Number of times the mark address is stored in the Edit and Mark instruction.
- N = Total number of bytes in the first operand for those instruction with a single length field.
- N₁ = Total number of bytes in the first operand (destination).
- N₂ = Total number of bytes in the second operand (source).
- N₃ = Total number of bytes which overlap between the first and second operands. N₃ = 0 for nonoverlapping fields, or for overlapping fields where the address of the second operand is greater than or equal to the first operand address.
- N₆ = Number of bytes of the field which lie outside of that part of the field bounded by doublewords.

- NWBB₁ = Number of word boundary crossovers for that part of the first operand processed.
- NWBB₂ = Number of word boundary crossovers for that part of the second operand processed.
- NWBL₁ = Number of word boundary crossovers for the first operand.
- NWBL₂ = Number of word boundary crossovers for the second operand.
- NWBL₁L₂ = Number of word boundary crossovers for that part of the first operand which consists of N₂ bytes of high-order zeros.
- q₄ = Quotient found by dividing by 4 the number of positions to be shifted.
- QS = Smaller of N₁ - 8 or N₁ - N₂.
- r₄ = Remainder after dividing by 4 the number of positions to be shifted.
- S₁ = 1 if r₄ = 3, or if q₄ = 0
= 2 if r₄ = 3, and q₄ = 0
= 0 otherwise.
- S₂ = -1 if r₄ = 0
= 1 if r₄ = 1, and q₄ = 0
= 0 otherwise.
- S₃ = 0 if r₄ = 0, and q₄ ≠ 0
= 1 if r₄ = 0, and q₄ = 0
= 3 if r₄ = 1
= 5 if r₄ = 2 or 3
- S₄ = 0 if r₄ = 0
= 4 if q₄ = 0 and r₄ = 1, or if q₄ ≠ 0 and r₄ = 2
= 3 if q₄ = 0 and r₄ = 2, or if q₄ ≠ 0 and r₄ = 3
= 2 if q₄ = 0 and r₄ = 3
= 5 if q₄ ≠ 0 and r₄ = 1
- T₁ = 1 if the result field is recomplemented (i.e., changes sign).
= 0 otherwise
- T₂ = 1 if the result field is zero.
= 0 otherwise.
- T₃ = 1 if N₂ < 1/2 (N₁ + 1)
= 0 otherwise.
- T₆ = 0 if N₂ ≥ 4
= 1 otherwise
- T₇ = 0 if N₁ ≤ 8
= 1 otherwise.
- T₈ = 0 if fields do not overlap.
= 1 otherwise.
- T₉ = 0 if any non-zero function byte is found.
= 1 otherwise.
- T₁₂ = 1 if R₁ field of the Execute instruction is not zero.
= 0 otherwise.
- U₁ = Select out delay plus device delay.
- U₂ = Device delay for HALT I/O sequence.
- W = Total number of doublewords in the first operand for those instructions with a single length field.

AVERAGE INSTRUCTION TIMES

<u>Instruction</u>	<u>Form</u>	<u>Mnem</u>	<u>Model G Timing (usec)</u>	<u>Models H, I, IH, and J Timing (usec)</u>
Add	RR	AR	0.65	0.65
Add*	RX	A	1.50	1.40
Add Decimal	SS	AP	$3.6+0.2M+0.2N_1+0.1N_2+T_1 (2.0+0.4N_1)+1.2T_2$	$3.4+0.2M+0.2N_1+0.1N_2+T_1 (2.0+0.4N_1)+1.2T_2$
Add Halfword*	RX	AH	1.90	1.80
Add Logical	RR	ALR	0.65	0.65
Add Logical*	RX	AL	1.50	1.40
Add Normalized Long	RR	ADR	1.72	1.72
Add Normalized Long*	RX	AD	2.55	2.45
Add Normalized Short	RR	AER	1.68	1.68
Add Normalized Short*	RX	AE	2.53	2.43
Add Unnormalized Long	RR	AWR	1.65	1.65
Add Unnormalized Long*	RX	AW	2.50	2.40
Add Unnormalized Short	RR	AUR	1.64	1.64
Add Unnormalized Short*	RX	AU	2.48	2.38
AND	RR	NR	1.25	1.25
AND*	RX	N	2.10	2.00
AND	SI	NI	1.96	1.73
AND	SS	NC	$3.0+0.5N+.2N_3$	$2.8+0.5N+0.2N_3$
Branch and Link	RR	BALR	1.25	1.20
Branch and Link*	RX	BAL	1.25	1.20
Branch on Condition	RR	BCR	$0.7+0.5F_1$	$0.7+0.4F_1$
Branch on Condition*	RX	BC	$0.8+0.4F_1$	$0.8+0.3F_1$
Branch on Count	RR	BCTR	$1.08+0.17F_1$	$0.98+0.17F_1$
Branch on Count**	RX	BCT	1.25	1.15
Branch on Index High	RS	BXH	$1.6-0.2F_1$	$1.6-0.2F_1$
Branch on Index Low or Equal	RS	BXLE	$1.6-0.2F_1$	$1.6-0.2F_1$
Compare	RR	CR	0.65	0.65
Compare*	RX	C	1.50	1.40

*When double-indexed, add 0.10 usec (Model G) or 0.15 usec (Model H, I, IH, or J).

**When double-index, add 0.2 usec.

<u>Instruction</u>	<u>Form</u>	<u>Mnem</u>	<u>Model G Timing (usec)</u>	<u>Models H, I, IH, and J Timing (usec)</u>
Compare Decimal	SS	CP	$3.67+0.2M+0.13N_1+0.1N_2$	$3.47+0.2M+0.13N_1+0.1N_2$
Compare Halfword*	RX	CH	1.90	1.80
Compare Logical	RR	CLR	0.65	0.65
Compare Logical*	RX	CL	1.50	1.40
Compare Logical	SI	CLI	1.50	1.40
Compare Logical	SS	CLC	$3.1+0.4B$	$2.9+0.4B$
Compare Long	RR	CDR	1.26	1.26
Compare Long*	RX	CD	2.10	2.00
Compare Short	RR	CER	1.24	1.24
Compare Short*	RX	CE	2.08	1.98
Convert to Binary*	RX	CVB	$7.7+0.2G_3+0.2G_1$	$7.6+0.2G_3+0.2G_1$
Convert to Decimal*	RX	CVD	$8.98+0.4G_3$	$8.65+0.4G_3$
Divide	RR	DR	$8.45+0.15G_1$	$8.45+0.15G_1$
Divide*	RX	D	$8.80+0.15G_1$	$8.70+0.15G_1$
Divide Decimal	SS	DP	$6.15+4.6N_1-4.7N_2+2.2N_2(N_1-N_2)+0.6T_6+1.2T_7QS$	$5.95+4.5N_1-4.7N_2+2.2N_2(N_1-N_2)+0.6T_6+1.2T_7QS$
Divide Long	RR	DDR	13.35	13.35
Divide Long*	RX	DD	14.20	14.10
Divide Short	RR	DER	6.55	6.55
Divide Short*	RX	DE	7.40	7.30
Edit	SS	ED	$3.40+0.7N+0.1N_2$	$3.20+0.63N+0.1N_2$
Edit and Mark	SS	EDMK	$3.40+0.63N+0.1N_2+1.2MK$	$3.20+0.63N+0.1N_2+1.2MK$
Exclusive OR	RR	XR	1.25	1.25
Exclusive OR*	RX	X	2.10	2.00
Exclusive OR	SI	XI	1.96	1.73
Exclusive OR	SS	XC	$3.0+0.5N+0.2N_3$	$2.8+0.5N+0.2N_3$
Execute*	RX	EX	$E_5 = 1.55+E$ $E_6 = 2.8+E+0.4T_{12}$	$E_5 = 1.45+E$ $E_6 = 2.6+E+0.4T_{12}$
Halt I/O	SI	HIO	$1.5+U_1+U_2$	$1.4+U_1+U_2$
Halve Long	RR	HDR	1.25	1.25

*When double-index, add 0.10 usec (Model G) or 0.15 usec (Model H, I, IH, or J)

<u>Instruction</u>	<u>Form</u>	<u>Mnem</u>	<u>Model G Timing (usec)</u>	<u>Models H, I, IH, and J Timing (usec)</u>
Halve Short	RR	HER	1.05	1.05
Insert Character*	RX	IC	1.50	1.40
Insert Storage Key	RR	ISK	2.85	2.85
Load	RR	LR	0.65	0.65
Load*	RX	L	1.30	1.20
Load Address*	RX	LA	0.75	0.75
Load and Test	RR	LTR	0.65	0.65
Load and Test Long	RR	LTDR	1.05	1.05
Load and Test Short	RR	LTER	0.85	0.85
Load Complement	RR	LCR	0.65	0.65
Load Complement Long	RR	LCDR	1.05	1.05
Load Complement Short	RR	LCER	0.85	0.85
Load Halfword*	RX	LH	1.50	1.40
Load Long	RR	LDR	1.23	1.05
Load Long*	RX	LD	1.50	1.40
Load Multiple	RS	LM	A ₁ = 1.50 A ₂ = 0.9+0.4GR A ₃ = 1.3+0.4GR A ₄ = 1.1+0.4GR	A ₁ = 1.40 A ₂ = 0.8+0.3GR A ₃ = 1.2+0.3GR A ₄ = 1.0+0.3GR
Load Negative	RR	LNR	0.95	0.95
Load Negative Long	RR	LNDR	1.05	1.05
Load Negative Short	RR	LNER	0.85	0.85
Load Positive	RR	LPR	0.95	0.95
Load Positive Long	RR	LPDR	1.05	1.05
Load Positive Short	RR	LPER	0.85	0.85
Load PSW	SI	LPSW	2.40	2.20
Load Short	RR	LER	0.65	0.65
Load Short*	RX	LE	1.30	1.20
Move	SI	MVI	1.56	1.33
Move	SS	MVO	V ₁ = 2.2+1.6W V ₂ = 3.3+0.2N+0.2N ₆ V ₃ = 3.13+0.38N+0.2N ₃	V ₁ = 2.0+1.4W V ₂ = 3.1+0.2N+0.2N ₆ V ₃ = 2.93+0.38N+0.2N ₃
Move Numerics	SS	MVN	3.0+0.5N+0.2N ₃	2.8+0.5N+0.2N ₃

*When double-index, add 0.10 usec (Model G) or 0.15 usec (Model H, I, IH, or J).

<u>Instruction</u>	<u>Form</u>	<u>Mnem</u>	<u>Model G Timing (usec)</u>	<u>Models H, I, IH and J Timing (usec)</u>
Move with Offset	SS	MVO	$3.13+0.27N_1+0.3N_2+0.4N_3$, If $N_1 \geq N_2$	$2.93+0.27N_1+0.3N_2+0.4N_3$, If $N_1 \geq N_2$
Move Zones	SS	MVZ	$3.0+0.5N+0.2N_3$	$2.8+0.5N+0.2N_3$
Multiply	RR	MR	4.45	4.45
Multiply*	RX	M	4.90	4.80
Multiply Decimal	SS	MP	$3.97+3.5N_1-2.9N_2+1.0N_2(N_1-N_2)$	$3.77+3.4N_1-2.9N_2+1.0N_2(N_1-N_2)$
Multiply Halfword*	RX	MH	5.10	5.00
Multiply Long	RR	MDR	7.25	7.25
Multiply Long*	RX	MD	7.70	7.60
Multiply Short	RR	MER	4.05	4.05
Multiply Short*	RX	ME	4.50	4.40
OR	RR	OR	1.25	1.25
OR*	RX	O	2.10	2.00
OR	SI	OI	1.96	1.73
OR	SS	OC	$3.0+0.5N+0.2N_3$	$2.8+0.5N+0.2N_3$
Pack	SS	PACK	$3.07+0.27N_1+0.2N_2$, If $N_1 > \frac{N_2+1}{2}$	$2.87+0.27N_1+0.2N_2$, If $N_1 > \frac{N_2+1}{2}$
Read Direct	SI	RDD	$2.80+ED$	$2.70+ED$
Set Program Mask	RR	SPM	0.85	0.85
Set Storage Key	RR	SSK	1.8	1.8
Set System Mask	SI	SSM	1.90	1.80
Shift Left Double	RS	SLDA	$0.9+0.4q_4+0.25_3$	$0.9+0.4q_4+0.25_3$
Shift Left Double Logical	RS	SLDL	$0.9+0.4q_4+0.2S_3$	$0.9+0.4q_4+0.2S_3$
Shift Left Single	RS	SLA	$0.7+0.2q_4+0.2S_1$	$0.7+0.2q_4+0.2S_1$
Shift Left Single Logical	RS	SLL	$0.7+0.2q_4+0.2S_1$	$0.7+0.2q_4+0.2S_1$
Shift Right Double	RS	SRDA	$0.9+0.4q_4+0.2S_4$	$0.9+0.4q_4+0.2S_4$
Shift Right Double Logical	RS	SRDL	$0.9+0.4q_4+0.2S_4$	$0.9+0.4q_4+0.2S_4$
Shift Right Single	RS	SRA	$0.9+0.2q_4+0.2S_2$	$0.9+0.2q_4+0.2S_2$
Shift Right Single Logical	RS	SRL	$0.9+0.2q_4+0.2S_2$	$0.9+0.2q_4+0.2S_2$
Start I/O	SI	SIO	$1.50+U_1$	$1.40+U_1$

*When double-indexed, add 0.10 usec (Model G) or 0.15 (Model H, I, IH, or J)

<u>Instruction</u>	<u>Form</u>	<u>Mnem</u>	<u>Model G Timing (usec)</u>	<u>Models H, I, IH, and J Timing (usec)</u>
Store*	RX	ST	1.16	0.93
Store Character*	RX	STC	1.56	1.33
Store Halfword*	RX	STH	1.96	1.73
Store Long*	RX	STD	1.16	0.93
Store Multiple	RS	STM	A ₁ =1.56 A ₂ =0.76+0.4GR A ₃ =1.56+0.4GR A ₄ =1.16+0.4GR	A ₁ =1.33 A ₂ =0.53+0.2GR A ₃ =1.33+0.2GR A ₄ =0.93+0.2GR
Store Short*	RX	STE	1.16	0.93
Subtract	RR	SR	0.65	0.65
Subtract*	RX	S	1.50	1.40
Subtract Decimal	SS	SP	3.6+0.2M+0.2N ₁ + 0.1N ₂ +T ₁ (2.0+0.4N ₁) +1.2T ₂	3.4+0.2M+0.2N ₁ + 0.1N ₂ +T ₁ (2.0+0.4N ₁) +1.2T ₂
Subtract Halfword*	RX	SH	1.90	1.80
Subtract Logical	RR	SLR	0.65	0.65
Subtract Logical*	RX	SL	1.50	1.40
Subtract Normalized Long	RR	SDR	1.72	1.72
Subtract Normalized Long*	RX	SD	2.55	2.45
Subtract Normalized Short	RR	SER	1.68	1.68
Subtract Normalized Short*	RX	SE	2.53	2.43
Subtract Unnormalized Long	RR	SWR	1.65	1.65
Subtract Unnormalized Long*	RX	SW	2.50	2.40
Subtract Unnormalized Short	RR	SUR	1.64	1.64
Subtract Unnormalized Short*	RX	SU	2.48	2.38
Supervisor Call	RR	SVC	4.15	3.75
Test and Set	SI	TS	1.90	1.80
Test Channel	SI	TCH	1.50+U ₁	1.40+U ₁
Test I/O	SI	TIO	1.50+U ₁	1.40+U ₁
Test Under Mask	SI	TM	1.70	1.60
Translate	SS	TR	2.14+1.88N	1.94+1.78N
Translate and Test	SS	TRT	4.3+1.3B-1.0T ₉	4.1+1.2B-1.0T ₉

*When double-indexed, add 0.10 usec (Model G) or 0.15 usec (Model H, I, IH, or J)

<u>Instruction</u>	<u>Form</u>	<u>Mnem</u>	<u>Model G Timing (usec)</u>	<u>Models H, I, IH, and J Timing (usec)</u>
Unpack	SS	UNPK	$3.0+0.4N_1+0.1N_2+0.2T_3, \text{if } \frac{N_1+1}{2} \geq N_2$	$2.8+0.4N_1+0.1N_2+0.2T_3, \text{if } \frac{N_1+1}{2} \geq N_2$
Write Direct	SI	WRD	2.3	2.2
Zero and Add	SS	ZAP	$3.70+0.2M+0.1N_1+0.1N_2+0.72T_8+1.2T_2$	$3.50+0.2M+0.1N_1+0.1N_2+0.72T_8+1.2T_2$

DETAILED VFL INSTRUCTION TIMES, (MODELS H, I, IH, and J)

The following timing formulas are for VFL instructions (i.e., instructions that contain an “L” field). All times are given in terms of word boundary crossovers and the operand addresses. The term “word boundary” specifies the boundary between two physical words. A physical word is the amount of information fetched in a single storage cycle. (This is 64 bits for all Model 65’s.) Thus, the number of word boundary crossovers is one less than the number of doublewords spanned by the field.

<u>Instruction</u>	<u>Mnemonic</u>	<u>Formula</u>
Add Decimal	AP	$3.75+0.2M+1.6NWBL_1+0.8NWBL_2+T_1(2.2+2N_1+1.6NWBL_1)+1.2T_2$
AND	NC	$3.16+0.2N+1.6NWBL_1+0.8NWBL_2+0.2N_3$
Compare Decimal	CP	$3.75+0.2M+1.00NWBL_1+0.8NWBL_2$
Compare Logical	CLC	$3.16+0.2B+0.8NWBB_1+0.8NWBB_2$

Note: The Compare Logical operation is terminated when an unequal condition is found.

Divide Decimal	DP	$6.2+4.4N_1-4.8N_2+2.20N_2(N_1-N_2)+0.8NWBL_1+0.8NWBL_2+0.6T_6+1.2T_7+Q_8$
Edit	ED	$3.57+0.43N+1.6NWBL_1+0.8NWBL_2$
Edit and Mark	EDMK	$3.56+0.43N+1.6NWBL_1+1.2NWBL_2+1.2MK$
Exclusive OR	XC	$3.16+0.2N+1.6NWBL_1+0.8NWBL_2+0.2N_3$
Move Characters	MVC	$V_1 : 2.0+1.4W$ $V_2 : 3.36+0.8NWBL_1+0.8NWBL_2+0.1N$ $V_3 : 3.16+0.6NWBL_1+0.8NWBL_2+0.2N_3+0.2N$
Move Numerics	MVN	$3.16+0.2N+1.6NWBL_1+0.8NWBL_2+0.2N_3$
Move with Offset	MVO	$V_5 : 3.2+0.4N_1+0.6NWBL_1+0.8NWBL_2+0.4N_3$ $V_6 : 3.2+0.4N_2+0.2(N_1-N_2)+0.6NWBL_1+0.8NWBL_2+0.4N_3$
Move Zones	MVZ	$3.16+0.2N+1.6NWBL_1+0.8NWBL_2+0.2N_3$
Multiply Decimal	MP	$4.12+3.4N_1-3.2N_2+1.0N_2(N_1-N_2)+0.8NWBL_2+1.6NWBL_1L_2$
OR	OC	$3.16+0.2N+1.6NWBL_1+0.8NWBL_2+0.2N_3$
Pack	PACK	$3.11+0.2N_1+0.1N_2+0.6NWBL_1+0.8NWBL_2$
Subtract Decimal	SP	$3.75+0.2M+1.6NWBL_1+0.8NWBL_2+T_1(2.2+0.6NWBL_1)+1.2T_2$
Translate	TR	$2.4+1.6N+1.4NWBL_1$
Translate and Test	TRT	$3.6+1.0N+1.8NWBB_1-1.0T_9$
Unpack	UNPK	$3.16+0.2N_1+1.6NWBL_1+1.6NWBL_2+0.2T_3$
Zero and Add	ZAP	$3.75+0.2M+0.8NWBL_1+0.8NWBL_2+.072T_3+1.2T_2$

TIMING ADDENDA FOR OPERATIONS WITH IBM 2361 LARGE CAPACITY STORAGE

Whenever the Model 65 references 2361 large capacity storage (LCS), additional time must be added to the previously listed instruction times (average and detailed VFL). Because of overlap and of interleaving where data, addresses, and location of instructions affect performances, only approximate (average) times can be described. The times to be added are calculated as shown in the following paragraphs; all times are in microseconds.

Instruction Fetch from LCS

When the instruction word is in LCS, add the following time (B):

- B = $2.75 + 1/2(8.00 - A) + C$ if interleaved,
 = $2.75 + 8.00 - A$ if not interleaved,
 where: (1) B must be ≥ 2.75 usec.
 (2) $A \geq 3.5$ usec = Difference in time between two LCS storage references made within 8 usec of each other.
 (3) C = 0.25 usec if the difference in time between two LCS references is 3.50 usec, or
 C = 0.13 usec if the difference in time between two LCS references is 3.75 usec

The average added instruction times per format are:

<u>Format</u>	<u>Time</u>
RR	B/4
RX, RS, SI	B/2
SS	3B/4

Operand Fetches and Stores

For operand fetches and stores, add the applicable time:

1. RX Format: Add B
2. RS Format (Multiple Load and Multiple Store):
 - a. Add B + 3.00 (n-1) if interleaved
 - b. Add B + 7.00 (n-1) if not interleaved
3. SI Format:
 - a. Add B (Test Under Mask, Compare Logical, and Move)
 - b. Add B + 800 (AND, OR, or Exclusive OR)
4. SS Format (Compare Decimal and Compare Logical):
 - a. If one 64-bit word is fetched from LCS, add B

- b. If both operands are fetched from LCS, add 5.00 + B if interleaved, or add 7.00 + B if not interleaved. Also, add B for each referenced operand that crosses a doubleword boundary.
5. SS Format (Pack, Unpack, Move with Offset, Zero and Add, Add Decimal, Subtract Decimal, Move Numerics, Move Zones, AND, OR, and, where both operands are not on doubleword boundaries, Move):
 - a. If a source fetch is made to LCS, add B.
 - b. If a destination fetch (and store) is made to LCS, add:
 (6.00-0.25) (number of bytes processed in 64-bit word) + B.
 - c. If both a source and destination fetch are made to LCS, add:
 10.00 + B if interleaved, or
 12.00 + B if not interleaved.
 - d. For the source operand across doubleword boundaries, add B for each such additional LCS reference.
 - e. For the destination operand across doubleword boundaries, add 8.00 + B for each such additional LCS reference.
6. SS Format (Decimal Multiply, Decimal Divide, Translate, Translate and Test, Edit, and Edit and Mask; fields of approximately 8 bytes or more are assumed):
 - a. If only a source fetch is made to LCS, add 2.75 usec.
 - b. If a destination fetch is made to LCS, add 2.75 usec for Multiply, Divide, Translate, and Translate and Test. Also add 10.00 usec for each multiplicand, divisor, or translated byte, and add 2.75 usec for each referenced operand that crosses a doubleword boundary.
 - c. If both source and destination are located in LCS, add 2.75 usec to item 3b above.
7. SS Format (Move, with both operands aligned and doubleword boundaries):
 - a. If either source reference or destination reference (not both) is LCS, add:
 B + 3.00 (n-1) if interleaved
 B + 6.00 (n-1) if non-interleaved
 - b. If both the source and destination reference are LCS, add:
 B + 6.00 + 10.00 (n-1) if interleaved
 B + 7.00 + 14.00 (n-1) if non-interleaved
 Where n = number of doublewords.

EFFECT OF CHANGE TO FLOATING-POINT FEATURE

Installation of the floating-point change modifies the average time of eight instructions. Instruction times for floating-point instructions depend on the number of hexadecimal digits that are preshifted and postshifted, as well as on the number of times the result is recomplemented. Each of the floating-point instruction times listed is an average of actual execution times which are data-dependent.

<u>Instruction</u>	<u>Form</u>	<u>Mnem</u>	<u>G65</u>	<u>H, I, IH, J65</u>
Add Unnormalized Long	RR	AWR	1.75	1.75
Add Unnormalized Long*	RX	AW	2.60	2.50
Halve Long	RR	HDR	1.2+0.4NC +0.6 UF	1.2+0.4NC +0.6 UF
Halve Short	RR	HER	1.2+0.4NC +0.6 UF	1.2+0.4NC +0.6 UF
Multiply Long	RR	MDR	7.65	7.65
Multiply Long*	RX	MD	8.10	8.00
Subtract Unnormalized Long	RR	SWR	1.75	1.75
Subtract Unnormalized Long*	RX	SW	2.60	2.50

where UF = 1 if underflow occurs
 = 0 otherwise
 NC = number of normalization cycles
 *Add 0.15 usec when double indexed.

Without the floating-point change, the times given earlier in this section under "Average Times" apply. The above times should be used when this change is installed.

Appendix A. Multiprocessing System

INTRODUCTION

The Model 65 multiprocessing system comprises two 2065 CPU's and from two to four 2365-13 processor storage units; this provides a system main storage capacity of 524, 288 (524K), 786, 432 (786K), or 1,048, 576 (1,048K) bytes, which can be allocated in increments of 262,144 (262K) bytes. The model of CPU's used in a multiprocessing system is determined by the number of storage units in the system, as follows:

<u>Number of 2365-13's</u>	<u>CPU Models Used</u>
Two	Two 2065I's
Three	Two 2065IH's
Four	Two 2065J's

A multisystem feature and a direct control feature are required on each CPU. An IBM 2361 Core Storage cannot be attached in a multiprocessing system.

The multisystem features provide shared-storage, shared-I/O, and floating-storage addressing capabilities to the system. One configuration control panel is added to the system. This panel contains manual controls for storage and I/O control unit allocation, prefixing, mode selection, and floating addressing. In addition, the feature provides CPU mode control (modification of the direct control features) and modifies the Set System Mask instruction. Each shared storage feature consists primarily of a double BCU-storage interface. A priority scheme determines which BCU is to have access to the storage unit and ensures that neither BCU is allowed two successive references to a particular storage unit if the other BCU is waiting for access.

In a basic Model 65 system, the CPU and all 2365-2 storage units are attached to a series of frames called a wall. When processor storage is shared, both CPU's and all storage units are arranged on a continuous wall (Figure 6). Note that the configuration control panel is located on the front of the center frame.

Input/Output

Up to seven channels (one 2870 and six 2860's) can be attached to each CPU. All I/O units attachable to the basic Model 65 system are attachable in the multiprocessing system. However, the total number of shared I/O units in a multiprocessing system cannot exceed the total number of units attachable in a basic Model 65 system.

The two-channel switch feature of the control units and the channel-to-channel adapter feature of the 2860 selector channels may interconnect the two systems for

shared I/O units. A remote switch attachment feature is required on all I/O units having the two-channel switch feature. These remote switches comprise the I/O allocation switches on the configuration control panel. To maximize data throughout, a 2820 Storage Control, if installed, should attach to the highest-priority channel.

Modes

Three operating modes are selectable at the configuration control panel: Multisystem, Mod 65, and Partitioned. The basic difference between these modes is in the CPU-to-CPU communications.

In Multisystem mode, direct CPU-to-CPU communication is enabled via the multisystem direct control interface. Also, the Set System Mask instruction causes an interruption in this mode.

Mod 65 mode enables CPU-to-CPU communications via the basic direct control interface if the DISABLE DIRECT CONTROL switch is in the center (enable) position. If this switch is in the down (disable) position, a Read or Write Direct instruction will cause an operation exception. The Set System Mask instruction is executed in this mode as described in *IBM System/360 Principles of Operation*. Note that the normal direct control signal and data lines may or may not be connected between the two CPU's in the system; depending on the system configuration, these lines could be connected for direct control with an external device.

In Partitioned mode, multisystem direct communications between CPU's is disabled. However, direct control timing signals 4-7 are enabled (bits 12-15 in the I₂ field of Read and Write Direct are used) if the ENABLE DIRECT CONTROL switch is in the center position; if the switch is in the down position, Read and Write Direct are no-op'ed. Normal Set System Mask operations are enabled in this mode.

In all three modes, the multisystem feature enables operation of the I/O and storage allocation switches, the floating address switches, and the prefix switches.

Compatibility Features

All compatibility features (emulators) available for the basic Model 65 can be installed. For emulation on a Model 65 within the multiprocessing system, those portions of the system required for emulation must be partitioned out of the system environment; i.e., the 2065 with the compatibility feature, the appropriate amount of storage, and the required I/O units must be partitioned as

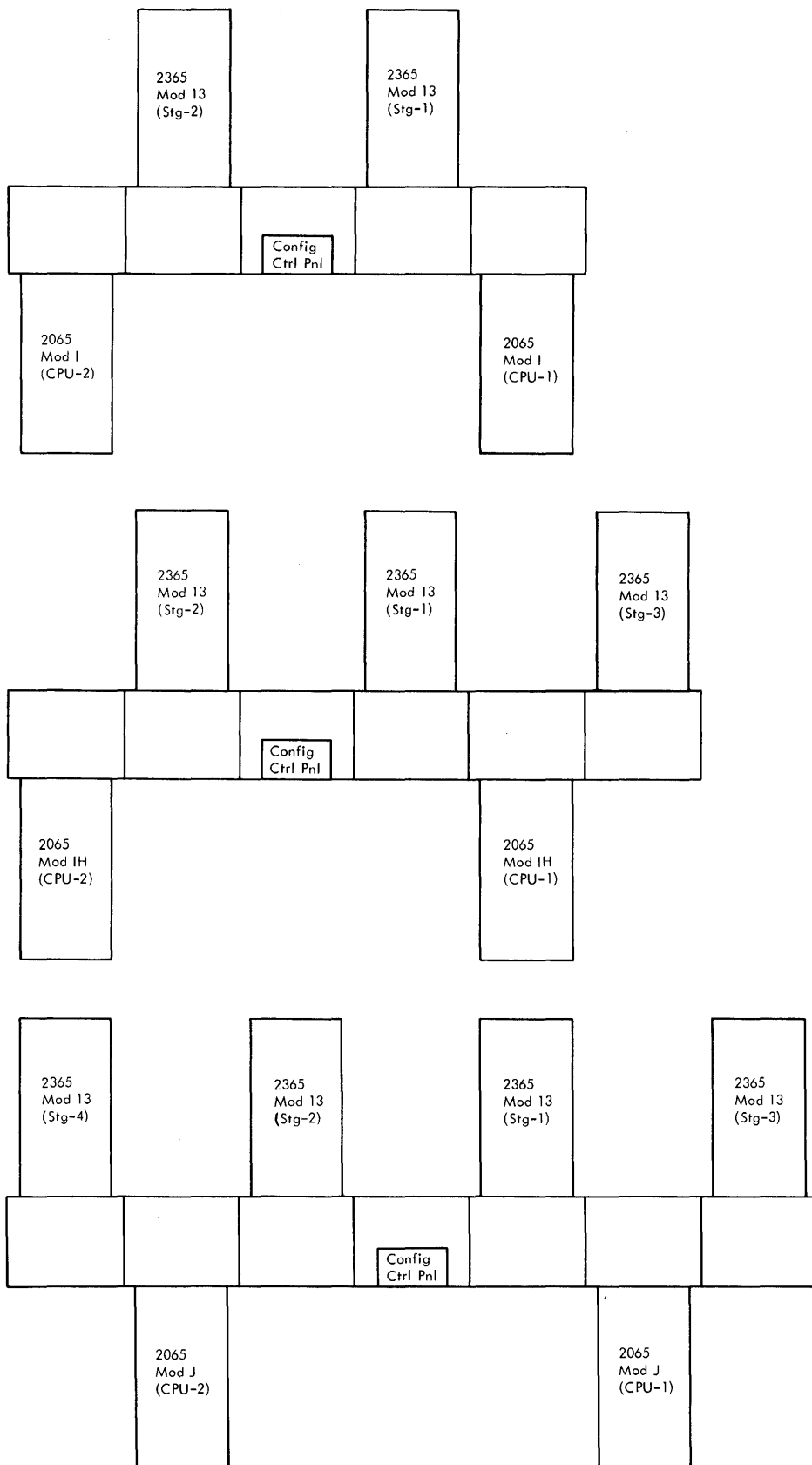


Figure 6. Multiprocessing System Outline Configurations

a separate system. Access time is minimized by partitioning into the emulating system storage units that are physically closest to the CPU.

Power Control

Additional power control functions are added by the multisystem feature for safety and for convenience of the operator. The POWER ON pushbutton on the system control panel of either CPU turns on power for that CPU and for all shared and nonshared units controlled by that CPU. The POWER OFF pushbutton removes power from that CPU and from all nonshared units controlled by that CPU; also, power is removed from all shared units if power has been turned off at the other CPU.

Metering

The 2365-13 Storage Units have customer usage meters. The meter records usage when the storage unit is conditioned for operation and is receiving the signal that either CPU is recording time. The storage unit is conditioned from each CPU by the Enable position of the appropriate Storage Allocation switch on the configuration control panel. Metering in the 2065 is unchanged.

MULTISYSTEM FEATURE

Multisystem Direct Control

The multisystem feature modifies the basic direct control feature to provide predefined signals for CPU-to-CPU communication in Multisystem mode only.

The modification adds one machine- and four program-generated signals to the basic direct control feature interface.

Direct control signals 0-3 are not used in Multisystem mode. Instead, bits 8-11 in the I₂ field of the Write Direct instruction are redefined to provide the new multisystem signals as follows:

I ₂ Field Bit	External Interrupt Bit	Name of Signal Received*
8, 9 = 00	--	No signal
= 01	--	System Reset
= 10	--	External Start
= 11	--	Log I/O Interrupts
10	--	--(Reserved)
11 = 1	27	System Call
12-15	28-31	Direct Control signals 4-7

*Signals received by other CPU if both CPU's are in Multisystem mode.

If either CPU in the multiprocessing system is not in Multisystem mode, bits 8-11 of the Write Direct instruction are effectively ignored.

The Read Direct instruction is not used to generate multisystem signals; however, if this instruction is used

in Multisystem mode to generate direct control signals, bits 8-11 are ignored.

Bits 12-15 of both direct control instructions are unchanged and remain under control of the ENABLE DIRECT CONTROL switch on the 2065 operator's panels. Program interruptions will not occur on direct control instructions if the ENABLE DIRECT CONTROL switch is in the down (disable) position and Multisystem or Partitioned mode is active.

In addition to the multisystem signals generated by the Write Direct instruction, one signal (Malfunction Alert) is machine-generated. All multisystem signals are described in the following paragraphs.

Malfunction Alert

This signal is generated by a CPU when one of the following conditions occurs:

1. A machine check is detected and the machine check mask bit is a 1.
2. CPU power is turned off.
3. A system hang-up occurs and the machine check mask bit is a 1.

The Malfunction Alert can externally interrupt the receiving CPU, setting bit 26 in the external interruption old PSW. The receiving CPU is interrupted if its external interruption mask bit is a 1, regardless of the setting of the Direct Control switch. The failing CPU immediately stops processing if its machine check mask bit is a 1.

System Reset

When a System Reset signal is received, the storage selection reference already granted priority by the BCU of the receiving CPU is allowed to finish. New priority assignments are blocked for a period of 32 to 48ms, after which the receiving CPU is reset, as are all storage units, channels, I/O control units, and devices allocated to and on-line for that CPU. At the completion of this reset, the receiving CPU is placed in the stopped state (MANUAL indicator lit).

External Start

Either CPU can be started (or restarted) in the same manner as by the depression of PSW RESTART by receiving an External Start signal from the other CPU. This signal does not reset the receiving CPU. The external start operation begins immediately if the receiving CPU is in the Wait or Stopped state; otherwise, the start operation begins when execution of the current operation is ended. If an external system reset operation is in progress, the external start is executed when the reset is finished.

The external start operation initiates retrieval of the initial-program-loading PSW from effective location zero (the permanent storage area address is determined by the

prefix and storage allocation switches on the configuration control panel). Instruction execution starts from the instruction addressed by the fetched PSW, ending the external start. No I/O operations are initiated during external starting, and the old PSW is not stored.

Log I/O Interruptions

If any I/O interruptions are pending in the receiving CPU, this signal causes a CSW to be stored into location 6410 and causes the channel and I/O device addresses to be stored into locations 5810 and 5910 in the old PSW. Normal I/O interruption action and priority are observed. The I/O interruption mask bits are ignored.

Since no attempt is made to synchronize the log operation with CPU activity, the receiving CPU should be in the Wait state with all channel interruptions masked off, or results may be inconsistent. Any activity except I/O is overridden. No external interrupts are caused in the receiving processor. Following a Log I/O Interrupt operation no other signal should be issued between CPU's except another Log I/O Interrupt or System Reset.

A period of 5usec should be allowed between the initiation of Log I/O Interrupt and the interrogation of results in core storage. Another Log I/O Interrupt signal should not be issued until the previous Log I/O Interrupt operation has completed logging of the interrupt. A logout will not occur unless an interruption has occurred or is pending. The system must be reset before further action can be initiated.

System Call

This signal causes an external interruption in the receiving CPU if that CPU is in Multisystem mode and is enabled for external interruptions with the external interruption mask bit set to 1. Bit 27 of the external interruption old PSW is set to 1.

Configuration Control Panel

Processor mode, prefixing, floating addressing, storage allocation, and I/O control unit allocation for both CPU's are all controllable from the configuration control panel. A Processor Mode switch and a Prefix switch are provided for each CPU. A Floating Address switch controls the address range of each storage unit. With each Floating Address switch are two Storage Allocation switches, one associated with each CPU.

Processor Mode Switch

The Processor Mode switch for each CPU determines the mode in which that particular CPU is to operate. Changes in this switch that involve Multisystem mode are sampled only when the CPU is stopped. A change in mode involving

Mod/65 mode becomes effective immediately. Each switch can select one of three possible modes: Multisystem, Partitioned, or Mod/65. For a normal multisystem environment to exist, both Mode switches should be in the Multisystem position. The setting of these switches does not affect the function of other switches on the configuration control panel.

Storage Allocation Switches

A Storage Allocation switch for each CPU is associated with each 2365-13 Storage Unit. The storage unit is accessible to the CPU to which the switch refers only when the switch is in the Enable position. If both switches associated with a particular storage unit are set to Disable, the storage unit is logically removed from the entire system, regardless of the setting of either Processor Mode switch.

Allocation of storage is in increments of 262,144 bytes. At least one storage unit must be allocated to a CPU for it to operate as an independent system.

Both CPU's can share any or all storage units in any CPU mode. Active storage can be assigned as a contiguous block, and any storage unit can be logically removed from the system.

I/O Control Unit Allocation Switches

Two groups of I/O Control Unit Allocation switches are provided on the configuration control panel, one group per CPU. All dual-channel interface I/O control units in the multiprocessing system will have one allocation switch per CPU. With these switches, an I/O control unit can be allocated to either or both CPU's or can be partitioned out of the system. A change in the status of an allocation switch becomes effective when that CPU is in the stopped or wait state.

Prefix Switches

A Prefix toggle switch for each CPU is located on the configuration control panel. Each switch has two positions: Enable and Disable. A change in the status of a Prefix switch becomes effective only when the associated CPU is restarted (via LOAD pushbutton or External Start signal). Once prefixing is enabled, all CPU and channel references to locations within the lowest 4,096 bytes of storage allocated to that CPU are relocated to corresponding locations within the highest 4,096 bytes. Also, CPU storage references to the highest 4,096 bytes are relocated to the lowest 4,096 bytes; this reverse prefixing is not performed for channel references.

Floating Address and Storage Allocation Switches, Valid Addressing Indicators

One Floating Address switch is provided per 2365-13. Each switch can assign any one of the four possible blocks of addresses to the associated 2365-13:

<u>Switch Label</u>	<u>Address Block</u>
0 to 262K	0 to 262, 143
262K to 524K	262, 144, to 524, 287
524K to 786K	524, 288 to 786, 431
786K to 1048K	786, 432 to 1,048, 575

Thus, any 2365-13 in the system can be assigned any block of these addresses.

Two Storage Allocation switches, one per CPU, are associated with each Floating Address switch. Each Storage Allocation switch enables or disables operation of the associated CPU with one 2365-13. The blocks of addresses assigned to the 2365-13's allocated to each CPU should be contiguous; nonprefixed storage references to units in the power-down or disabled condition will result in an Invalid Address exception.

Duplicate addressing can exist if two Floating Address switches are set identically and both associated storage units are allocated to one or both CPU's. Two Valid Addressing indicators, one per CPU, are located on the configuration panel. When an indicator is lit, duplicate addressing does not exist for the associated CPU. When an indicator is off, duplicate addressing does exist, and all memory requests from the associated CPU are blocked until the situation is resolved. The Floating Address switches are not interlocked by CPU mode. Varying these switches for enabled storage units while either CPU is running may produce unpredictable results or machine checks.

Set System Mask Instruction

A Set System Mask instruction decoded in a CPU that is in Multisystem mode causes a multisystem program interruption if no other program interruptions are present. The instruction is suppressed, and an interruption code of 0012 (hexadecimal) is stored in the program old PSW. This instruction operates as defined in *IBM System/360 Principles of Operation* when the CPU is in Partitioned or Mod/65 mode.

2365 PROCESSOR STORAGE MODEL 13

Each 2365-13 is basically the same as a 2365-2 except that it provides a double BCU/storage interface. A priority scheme determines which CPU will have access to the storage unit and ensures that neither CPU will be allowed two successive references to a particular storage unit if the other CPU is waiting for access. Each shared storage unit has a customer usage meter.

If a CPU "hangs up" in Multisystem mode (i.e., fails to complete any instruction) for a period of 102-108ms, a machine check is forced. The CPU is restrictively reset to allow a logout to be attempted. The logout contains a bit indicating that a system hang-up condition has occurred. A malfunction alert is issued to the other processor. Excessive duration of the Read Direct instruction may result in a hang-up condition being sensed. To sense a hang-up condition, the interval timer must be active.

INSTRUCTION TIMING

If prefixing is enabled for a CPU, add 200ns for each storage reference to a permanent storage area (upper 4,096 bytes and lower 4,096 bytes of storage allocated to that CPU).

The extra cable length and priority circuits cause a performance degradation on a shared storage system. This occurs on every storage reference, regardless of the CPU mode of operation. The time added to each storage reference will not exceed the following figures:

<u>Storage</u>	<u>Time per Reference (in ns)</u>	
	<u>CPU1</u>	<u>CPU2</u>
1	30	65
2	65	30
3	30	100
4	100	30

Placement of the CPU's and storage units is shown in Figure 6.

Appendix B. Summary of System Control Panel Controls and Indicators

<u>Panel</u>	<u>Switch/Indicator Name</u>	<u>Type*</u>	<u>Function</u>
A	All	—	For customer engineer use.
B	All	—	For customer engineer use.
C	EMERGENCY PULL	PS	When pulled, this switch initiates emergency off in the system.
D	--	—	For expansion.
E	Roller Switches and Indicators	—	There are six 6-position roller switches and 36 indicators associated with each switch. The roller indicators are tested between positions of the switch. Position 6 of roller 6 is used to test the remaining indicators on the system control panel and on the 2150 console.
E	DATA 0—31, DATA 32—63	TGL	These 64 switches, in hexadecimal groups, permit manual entry of data. Correct parity is generated automatically.
E	ADDRESS	TGL	These 24 switches, in hexadecimal groups, select an addressable location in storage. Correct parity is generated automatically.
E	STOR CHK	IND	Indicates an error in the storage units.
E	PROC CHK	IND	Indicates an error in the CPU.
F	TEST MODE REPEAT	TGL	For customer engineer use; should be in center position for normal CPU operation.
	ROS/PROC/FLT	TGL	For customer engineer uses; the PROC position does not affect CPU operation and is the normal position of this switch.
F	STORAGE INDICATE	TGL	Selects the storage arrays (1 through 4 or 5 through 8) that will have information displayed by roller switch indicators.
F	FREQUENCY ALTERATION	TGL	For customer engineer use; effective only when the CE key switch is in the CE position.
F	DEFEAT INTERLEAVING	TGL	For customer engineer use; PROC is the normal position.
F	STOP ON STORAGE CHECK	TGL	For customer engineer use; should be in center position for normal operation.
F	DISABLE INTERVAL TIMER	TGL	For customer engineer use; should be in center position for normal operation.
F	STORAGE SELECT MAIN	TGL —	Normal position; selects main storage for storing or displaying data.
	LOCAL	—	Selects local storage for storing or displaying data.
	MAIN BYTE	—	Same as normal position except that byte selected is the only byte affected by a manual store operation.
F	ADDRESS COMPARE STOP	TGL	Stops processing when storage address agrees with bits 2 through 20 of ADDRESS switches. Should be in center position for normal operation.

<u>Panel</u>	<u>Switch/Indicator Name</u>	<u>Type*</u>	<u>Function</u>
F	CPU CHECK PROC	TGL —	This is the normal position. If the PSW machine mask is a 1, the CPU stops on detection of a CPU check, and the status is logged into main storage. If the mask is 0, the result is the same as if the switch is in the DSAB position.
	DSAB	—	The CPU does not stop on detection of a machine check, but the check trigger is set.
	STOP	—	The CPU stops on detection of a machine check, but there is no log-in of data.
F	PULSE MODE	TGL	For customer engineer use; should be in PROC position for normal CPU operation.
F	REPEAT INSN	TGL	For customer engineer use; should be in PROC position for normal CPU operations.
F	REPEAT ROS ADDRESS	TGL	For customer engineer use; should be in center position for normal operation.
F	RATE INSN STEP	RTY —	CPU executes on machine instruction for each depression of START pushbutton.
	PROCESS	—	Does not affect CPU operation; CPU operates at normal clock speed.
	SINGLE CYCLE	—	CPU advances by minimum clock amount for each depression of START pushbutton; all CPU operations are as in PROC position.
	SINGLE CYCLE STORAGE INHIBIT	—	Same as SINGLE CYCLE position without storage references.
F	SYSTEM RESET	PB	Resets on-line channels, control units, and CPU controls (including machine checks) to their initial state.
F	CHECK RESET	PB	Resets all CPU and storage check triggers.
F	PSW RESTART	PB	Loads a PSW from main storage address zero and starts processing.
F	ROS TRANSFER	PB	For customer engineer use.
F	SET IC	PB	Enters an address from ADDRESS switches into active (current) PSW.
F	STORE	PB	Enters data into storage location specified by STORAGE SELECT switch and ADDRESS switches.
F	DISPLAY	PB	Displays data specified by STORAGE SELECT switch and ADDRESS switches.
F	START	PB	Starts CPU operating in mode selected by RATE switch.
F	STOP	PB	Terminates CPU operation without changing environment.
F	RESTART FLT I/O	PB	For customer engineer use.
F	LOG OUT	PB	Stores CPU status in fixed locations in main storage.

<u>Panel</u>	<u>Switch/Indicator Name</u>	<u>Type*</u>	<u>Function</u>
F	Elapsed Time Meters	—	Indicate CPU running time. The process meter shows customer elapsed time; the CE meter shows customer engineer elapsed time.
F	Key Switch	—	Determines which elapsed time meter will be used to record time.
G	POWER ON	PB/IND	Initiates power on in the CPU and in selected system units. It is backlighted.
G	POWER OFF	PB	Initiates power off in the CPU and in selected system units.
G	LOAD UNIT	RTY	These three switches select the I/O units used by a load operation.
G	INTERRUPT	PB	Causes an external interruption in system and sets bit 25 of interruption code to a 1.
G	LOAD	PB	Resets system and starts a load operation.
G	SYSTEM	IND	Indicates a CPU elapsed time meter is running.
G	MANUAL	IND	Indicates that CPU is in the stopped state.
G	WAIT	IND	Indicates that CPU is in the wait state.
G	TEST	IND	Indicates that a switch on panel F is not in normal operating position or that a channel is in test mode.
G	LOAD	IND	Indicates that a CPU load operation is in progress. A successful load turns off the indicator.

*Abbreviations:

IND	—	Indicator
PB	—	Pushbutton Switch
PS	—	Pull Switch
RTY	—	Rotary Switch
TGL	—	Toggle Switch

- ADDRESS COMPARE STOP Pushbutton 18
- ADDRESS Switches 17
- Arithmetic-Logic Unit, 2065 8
- Attachment Capability of Model 65 6
- Average Instruction Times 22

- Channels 10
- Channel-to-Channel Adapter 10
- CHECK RESET Pushbutton 17
- Checking 10
- Compatibility Features 5, 6, 12, 30
- Configuration Control Panel (Multisystem Feature) 33
- Configurations:
 - Outline 7, 31
 - System 6
- Configurator 6
- Control Panel:
 - Configuration 33
 - System 11, 13, 35
- Core Storage (2361) 7
- CPU CHECK Switch 18
- Customer Engineering Controls 19

- Data Flow in Model 65 9
- DATA Switches 17
- Detailed VFL Instruction Times 27
- Diagnose Instruction (Compatibility Feature) 12
- DISPLAY Pushbutton 17

- Effect of Floating Point Change (Timing) 29
- EMERGENCY PULL Switch 13
- External Interruption 11
- External Start (Multisystem Signal) 32

- Features for Model 65 5
- Floating Address Switches 33
- Floating-Point Registers, 2065 8
- Four-Way Interleaving 8

- General Registers, 2065 8

- Imprecise Program Interruption 12
- Indicators, Roller 18
- Instruction:
 - Average Times 23
 - Detailed VFL Times 27
 - Diagnose 12
 - Length Code 12
 - Timing Assumptions and Considerations 20
 - Timing Addenda for Operations with 2361 LCS 28
 - Timing, Multisystem Feature 34
- Instruction Fetch from LCS (Timing) 28
- Interleaving, Storage 7, 8
- INTERRUPT Pushbutton 14
- Interruption Times 11
- I/O Control Unit Allocation Switches 33
- I/O Interruption 11

- Key Switch, System Control Panel 19

- LCS (Large Capacity Storage) 5
- Legends, Timing 20
- LOAD Light 14
- LOAD Pushbutton 14
- LOAD UNIT Switches 14
- Local Store, 2065 8
- Log I/O Interruptions (Multisystem Signal) 33
- LOG OUT Pushbutton 18

- Machine Check Interruption 11, 12
- Malfunction Alert (Multisystem Signal) 32
- MANUAL Light 14
- Metering 19, 32
- Model-Dependent Functions 12
- Modes (Multiprocessing System) 30
- Multiplexer Channel (2870) 10
- Multiprocessing System:
 - Compatibility Features 30
 - Input/Output 30
 - Instruction Timing 34
 - Introduction 30
 - Metering 32
 - Modes 30
 - Multisystem Feature 32
 - Outline Configurations 31
 - Power Control 32
 - 2365 Model 13 5, 6, 34
- Multisystem Feature:
 - Configuration Control Panel 33
 - Direct Control 32
 - Set System Mask Instruction 34

- Operand Fetches and Stores (LCS Timing) 28
- Operator Controls, System Control Panel 13
- Operator Intervention Controls, System Control Panel 16

- Power Control (Multisystem Feature) 32
- POWER OFF Pushbutton 14
- POWER ON Pushbutton 13
- Prefix Switches 33
- Processing Unit (2065) 8
- Processor Mode Switch 33
- Processor Storage (2365) 5
- Program Interruption 11
- PSW RESTART Pushbutton 18

- RATE Switch 16
- Read Only Storage, 2065 8
- Registers, General and Floating Point 8
- Relationship of Model 65 to Other System/360 Models 12
- Roller Indicators 18

- Selector Channel (2860) 10
- SET IC Pushbutton 18
- Set System Mask Instruction (Multisystem Mode) 34
- Size of Processor Storage per 2065 Model 5
- START Pushbutton 10
- STOP ON STORAGE CHECK Switch 18
- STOP Pushbutton 16

Storage:		Timing, Instruction:	
Control Unit (2065)	10	Assumptions	20
Core (2361)	5	Average	22
Local	8	Considerations	20
Processor:		Detailed VFL	27
2365 Models 1 and 2	5, 6	Floating-Point Change Effect	29
2365 Model 13	5, 6, 34	Introduction	20
Read Only	8	Legends	20
Storage Allocation Switches	33	Multiprocessing System	34
STORAGE INDICATE Switch	18	2361 LCS Addenda	28
STORAGE SELECT Switch	17	Two-Way Interleaving	8
STORE Pushbutton	17	Universal Instruction Set	8
Summary of System Control Panel Controls and Indicators	35	Valid Addressing Indicators	33
Supervisor Call Interruption	11	VFL Instructions, Detailed Times	27
System Call (Multisystem Signal)	33	WAIT Light	14
System Control Panel:		2065 Processing Unit	8
Description	11, 13	2361 Core Storage (LCS):	
Figure	15	Description	7
Summary	35	Timing	27
System Description	5	2365 Processor Storage:	
SYSTEM Light	14	Models 1 and 2	5, 6
System Reset (Multisystem Signal)	32	Model 13	5, 6, 34
SYSTEM RESET Pushbutton	17	2860 Selector Channel	10
System Statistics	9	2870 Multiplexer Channel	10
TEST Light	14		
Times, Interruption	11		

READER'S COMMENT FORM

IBM System/360 Model 65
Functional Characteristics

Form A22-6884-3

- How did you use this publication?

As a reference source
As a classroom text
As.....

- Based on your own experience, rate this publication . . .

As a reference source:

Very	Good	Fair	Poor	Very
Good				Poor

As a text:

Very	Good	Fair	Poor	Very
Good				Poor

- What is your occupation?

- We would appreciate your other comments; please give specific page and line references where appropriate. If you wish a reply, be sure to include your name and address.

• Thank you for your cooperation. No postage necessary if mailed in the U.S.A.

YOUR COMMENTS PLEASE...

This SRL manual is part of a library that serves as a reference source for systems analysts, programmers and operators of IBM systems. Your answers to the questions on the back of this form, together with your comments, will help us produce better publications for your use. Each reply will be carefully reviewed by the persons responsible for writing and publishing this material. All comments and suggestions become the property of IBM.

Please note: Requests for copies of publications and for assistance in utilizing your IBM system should be directed to your IBM representative or to the IBM sales office serving you locality.

fold

fold

FIRST CLASS
PERMIT NO. 116
KINGSTON, N.Y.

BUSINESS REPLY MAIL
NO POSTAGE STAMP NECESSARY IF MAILED IN THE UNITED STATES



POSTAGE WILL BE PAID BY ...

IBM CORPORATION
NEIGHBORHOOD ROAD
KINGSTON, N.Y. 12401

ATTENTION: PRODUCT PUBLICATIONS, DEPT. 520
BUILDING 960

fold

fold



International Business Machines Corporation
Data Processing Division
112 East Post Road, White Plains, N.Y. 10601
[USA Only]

IBM World Trade Corporation
821 United Nations Plaza, New York, New York 10017
[International]



International Business Machines Corporation
Data Processing Division
112 East Post Road, White Plains, N.Y. 10601
[USA Only]

IBM World Trade Corporation
821 United Nations Plaza, New York, New York 10017
[International]