

VOLUME 044 MACHINE 3705- -0080232 MODEL M81 SYSTEM 0002904 MODE

BOX SHIP 81/12/11

LOGIC TYPE -0- SYSTEMS DIAGRAMS

PAGE NUM	SH	TITLE	PART NUM	EC NUM	FEATURE B/M OR B/MS
AA000		BINDER TAB VOL 44	0008496500	322577	.W. 0001862344
MM000		MEMORY	0008550045	344616	.W. 0001862344
MM010		MEMORY	0008550046	344616	.W. 0001862344
MM021		MEMORY	0008550000	344860	.W. 0001862344
MM151		MEMORY	0008550001	344270	.W. 0001862344
MM351		MEMORY	0008550002	344270	.W. 0001862344
MM352		MEMORY	0008550003	344276	.W. 0001862344
MM353		MEMORY	0008550004	344276	.W. 0001862344
MM354		MEMORY	0008550005	344276	.W. 0001862344
MM355		MEMORY	0008550006	344276	.W. 0001862344
MM356		MEMORY	0008550007	344276	.W. 0001862344
MM357		MEMORY	0008550008	344276	.W. 0001862344
MM358		MEMORY	0008550009	344276	.W. 0001862344
MM359		MEMORY	0008550010	344276	.W. 0001862344
MM360		MEMORY	0008550011	344276	.W. 0001862344
MM361		MEMORY	0008550012	344276	.W. 0001862344
MM371		MEMORY	0008550013	344270	.W. 0001862344
MM372		MEMORY	0008550014	344276	.W. 0001862344
MM373		MEMORY	0008550015	344276	.W. 0001862344
MM374		MEMORY	0008550016	344276	.W. 0001862344
MM375		MEMORY	0008550017	344276	.W. 0001862344
MM376		MEMORY	0008550018	344276	.W. 0001862344
MM377		MEMORY	0008550019	344276	.W. 0001862344
MM378		MEMORY	0008550020	344276	.W. 0001862344
MM379		MEMORY	0008550021	344276	.W. 0001862344
MM380		MEMORY	0008550022	344276	.W. 0001862344
MM381		MEMORY	0008550023	344276	.W. 0001862344
MM451		MEMORY	0008550024	344276	.W. 0001862344
MM452		MEMORY	0008550025	344276	.W. 0001862344
MM453		MEMORY	0008550026	344276	.W. 0001862344
MM454		MEMORY	0008550027	344276	.W. 0001862344
MM455		MEMORY	0008550028	344616	.W. 0001862344
MM456		MEMORY	0008550029	344276	.W. 0001862344
MM461		MEMORY	0008550030	344276	.W. 0001862344
MM462		MEMORY	0008550031	344276	.W. 0001862344
MM463		MEMORY	0008550032	344276	.W. 0001862344
MM464		MEMORY	0008550033	344276	.W. 0001862344
MM465		MEMORY	0008550034	344616	.W. 0001862344
MM651		MEMORY	0008550035	344276	.W. 0001862344
MM652		MEMORY	0008550036	344276	.W. 0001862344
MM751		MEMORY	0008550037	344276	.W. 0001862344
MM752		MEMORY	0008550038	344276	.W. 0001862344

VOLUME 044 MACHINE 3705- -0080232 MODEL M81 SYSTEM 0002904 MODE BOX SHIP 81/12/11

LOGIC TYPE -0- SYSTEMS DIAGRAMS

PAGE NUM	SH	TITLE	PART NUM	EC NUM	FEATURE B/M OR B/MS
MM753		MEMORY	0008550039	344276	.W. 0001862344
MM754		MEMORY	0008550040	344276	.W. 0001862344
MM761		MEMORY	0008550041	344276	.W. 0001862344
MM762		MEMORY	0008550042	344276	.W. 0001862344
MM763		MEMORY	0008550043	344276	.W. 0001862344
MM764		MEMORY	0008550044	344276	.W. 0001862344

TOTAL PART NUMBERS THIS VOLUME 48

8550045 C

3705-80 MEMORY BOARD SOCKET LIST
(01A-B2 BOARD) P/N 1862340

CARD PLUG CHART

CARD P/N	SOCKET	CARD CODE	FUNCTION	ALD PAGES	TOP CARD CONN REQ'D(TCC)	PHYS DESCRIPTION
8254650	C2	CG02	MAJOR CNTL	MM451-MM456	C2	4WX3H-TCC
8254599	D2	CG01	DATA FLOW	MM351-MM361	D2	4WX3H-TCC
8254599	E2	CG01	DATA FLOW	MM371-MM381	E3	4WX3H-TCC
8254651	F2	CG03	ECC & SECONDARY CNTL	MM461-MM464	N/A	4WX2H
8254598	R2	CG00	MST/VTL VOLTAGE CONVERTERS	MM751-MM754	N/A	4WX2H
8254598	S2	CG00	MST/VTL VOLTAGE CONVERTERS	MM761-MM764	N/A	4WX2H
8634681	T2		128K BYTES MEM	MM651	N/A	4WX3H
8634691	U2		128K BYTES MEM	MM652	N/A	4WX3H

LOGIC CABLE PLUG CHART

CABLE P/N	FROM	TO	FUNCTION	MEMORY PAGE	PLUGS INTO
5802143	01A-B2 B3	01A-B4 A4	CNTL	MM151	BOARD
5802875	01A-B2 B4	01A-B3 V4	CNTL	MM151	BOARD
5802139	01A-B2 C2	01A-B4 B2	ADDRESS	MM451	TCC
5802139	01A-B2 D2	01A-B4 A3	STORE/SENSE BYTE 0	MM351	TCC
5802139	01A-B2 E3	01A-B4 A2	STORE/SENSE BYTE 1	MM371	TCC

SPECIAL PIN SIDE

SEE PAGE MM021 FOR VOLTAGE CABLE WIRE TO PIN CONNECTION
SEE PAGE MM465 FOR MEMORY INDICATORS PLUGGED INTO THE 01A-B2A5 POSITION (PIN SIDE).

NAME			DATE	CHANGE NO
3705-80 MEMORY			SEP80	344276
BOARD SOCKET LIST			MAR81	344616
DESIGN			DATE	CHANGE NO
JSL	SEP80	SHT 1 OF 1		
CHECK			DATE	CHANGE NO
JSL	SEP80			
APPRO			DATE	CHANGE NO
JSL	SEP80			

THIS DOCUMENT IS THE PROPERTY OF IBM. ITS USE IS AUTHORIZED ONLY FOR RESPONDING TO A REQUEST FOR QUOTATION OR FOR THE PERFORMANCE OF WORK FOR IBM. ALL QUESTIONS MUST BE REFERRED TO THE IBM PURCHASING DEPARTMENT.
 IBM CORPORATION, P.O. BOX 217, ARMONK, N.Y. 10504-0217
 MODEL 3705-80-1224
 MODEL 3705-80-1224
 MODEL 3705-80-1224

PART NO
8550045
LOGIC PG NO
MM010

8550045 C

3705-80 MEMORY LOGIC INDEX

THIS DOCUMENT IS THE PROPERTY OF IBM. ITS USE IS AUTHORIZED ONLY FOR RESPONDING TO A REQUEST FOR QUOTATION OR FOR THE PERFORMANCE OF WORK FOR IBM. ALL QUESTIONS MUST BE REFERRED TO THE IBM PURCHASING DEPARTMENT.

IBM

NAME	3705-80	MEMORY	DATE	CHANGE NO
LOGIC INDEX	SEP80	SHT 1 OF 1	SEP80	344276
DESIGN	JSL		MAR81	344816
DETAIL				
CHECK				
APPRO	JSL	SEP80	MUST CONFORM TO ENG SPEC	DEVELOPMENT NO
	JSL	SEP80		LOGIC PG NO
				MM000

SPECIAL

SYSTEM PAGE	CARD PAGE	SOCKET	FUNCTION
MM000			MEMORY LOGIC INDEX
MM010			PLUG CHART
MM021			SERV AND VOLTAGE CABLE WIRING
MM151		B3/B4	CONTRL CABLE CONNECTIONS
MM465		A5	LED'S ON PIN SIDE OF MEMORY BOARD

DATA FLOW

SYSTEM PAGE	CARD PAGE	SOCKET	FUNCTION
MM351	CG011	02	STORE/SENSE TCC BYTE 0
2	2	02	ECC BIT CORRECTION 0/2
3	3	02	TERM BYTE 0
4	4	02	DIAG. REG BYTE 0/2
5	5	02	DATA AND COR'ED BYTE 2
6	6	02	DATA AND COR'ED BYTE 0
7	7	02	ECC CK AND SYNDROME GEN
8	8	02	CCU PARITY GEN 0 AND 2
9	9	02	CCU SENSE BYTE 0
60	A	02	DATA TO MEM BYTE 2
61	B	02	DATA TO MEM BYTE 0
MM371	CG011	E2	STORE/SENSE TCC BYTE 1
2	2	E2	ECC BIT CORRECTION 1/3
3	3	E2	TERM. BYTE 1
4	4	E2	DIAG. REG BYTE 1/3
5	5	E2	DATA AND COR'ED BYTE 3
6	6	E2	DATA AND COR'ED BYTE 1
7	7	E2	ECC CK AND SYNDROME GEN
8	8	E2	CCU PARITY GEN 1 AND 3
9	9	E2	CCU SENSE BYTE 1
80	A	E2	DATA TO MEM BYTE 3
81	B	E2	DATA TO MEM BYTE 1

PRIMARY CONTROL CARD

SYSTEM PAGE	CARD PAGE	SOCKET	FUNCTION
MM451	CG021	C2	CONNECTOR - SAR
2	2	C2	REFRESH ADDR/SAR ADDR
3	3	C2	DELAY LINE CLOCK AND MEMORY CNTL
4	4	C2	REFRESH CNTL
5	5	C2	MISC CNTL
6	6	C2	DATA AND DIAG CNTL, ETC.

SECONDARY CONTROL CARD

SYSTEM PAGE	CARD PAGE	FUNCTION
MM461	CG031	F2 ECC BYTE/BIT ERROR DECODE
2	2	F2 ECC CORRECTABLE ERROR DECODE
3	3	F2 CHECK REGISTERS
4	4	F2 LED DVR'S FOR ERRORS

MEMORY CARDS

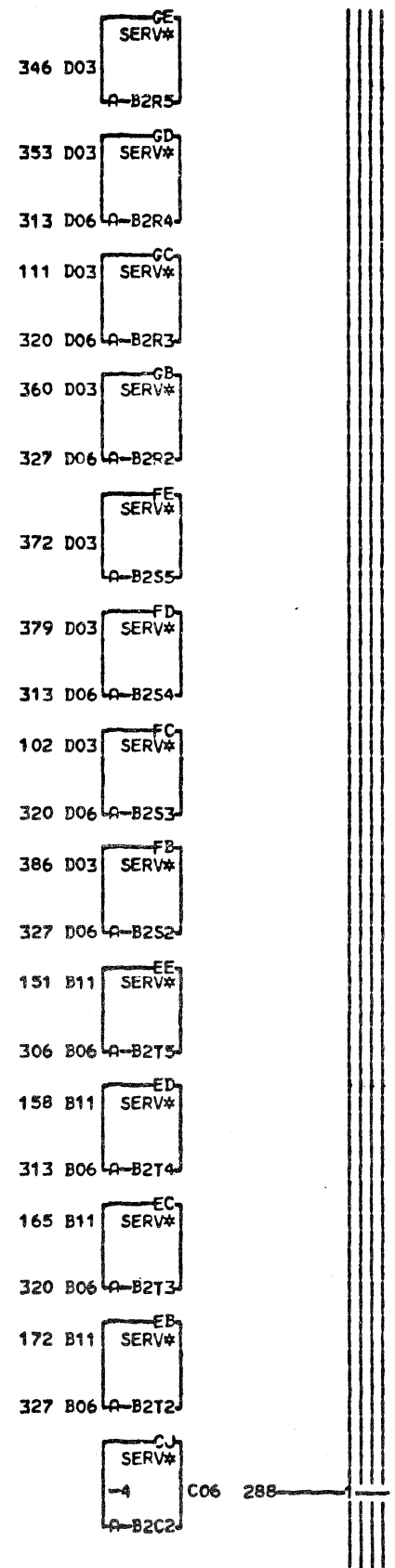
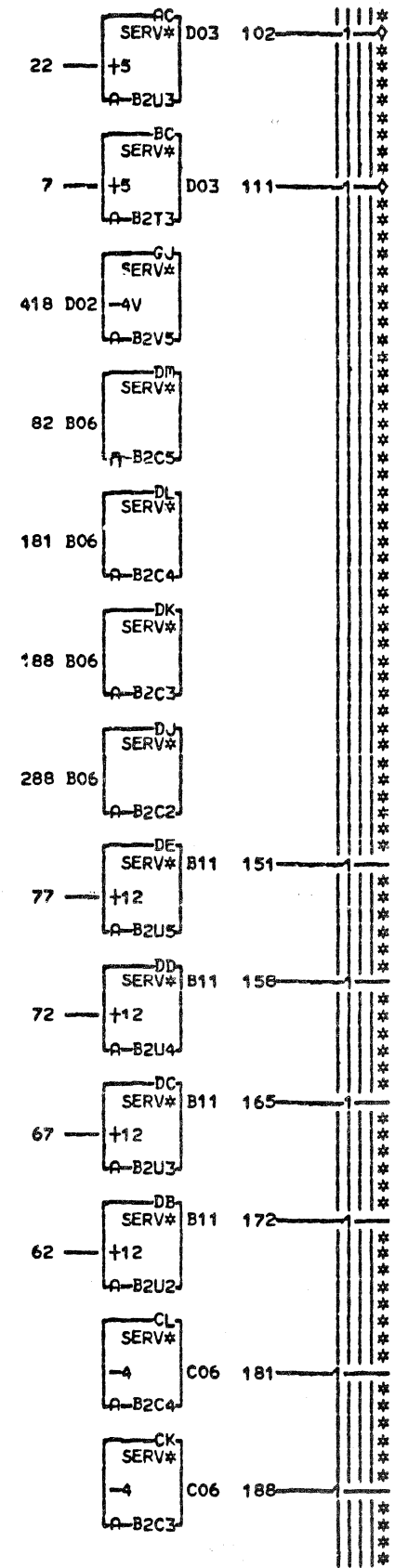
MM651	T2	MEMORY CARD LOW 128K BYTES
MM652	U2	MEMORY CARD HIGH 128K BYTES

MST TO VTL/VTL TO MST CONVERTERS

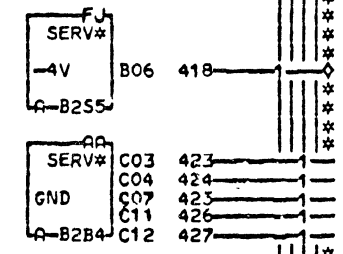
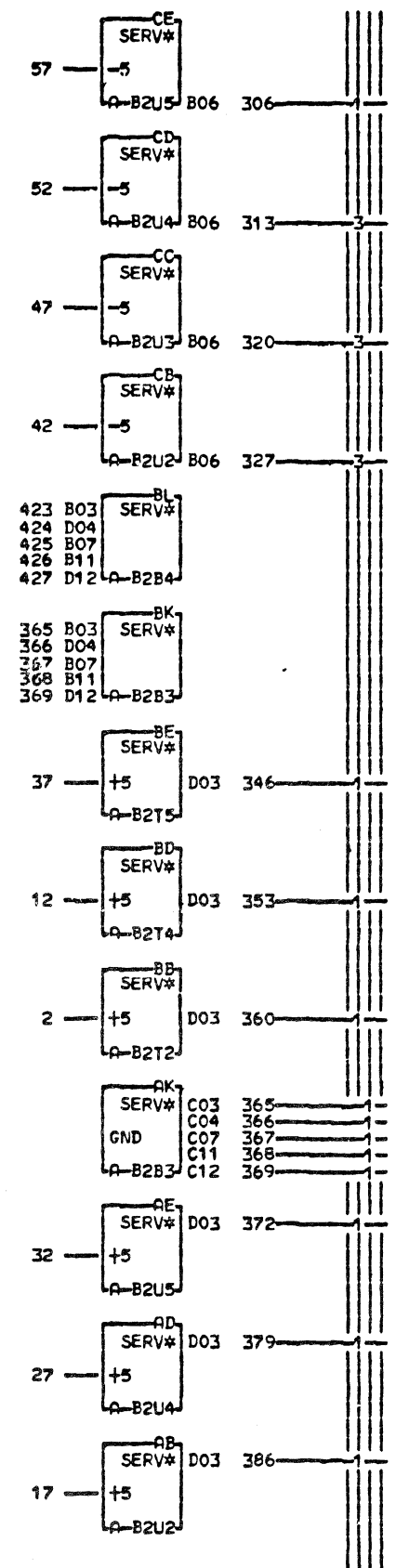
SYSTEM PAGE	CARD PAGE	FUNCTION
MM751	CG001	R2 MEMORY BUS DVR/RCV CONVERTERS BYTE 2
2	2	R2 MEMORY BUS DVR/RCV CONVERTERS C1-C4
3	3	R2 MEMORY BUS DVR/RCV CONVERTERS BYTE 3
4	4	R2 CONVERTED ADDR'S AND SPECIAL BITS TO MEM
MM761	CG001	S2 MEMORY BUS DVR/RCV CONVERTERS BYTE 0
2	2	S2 MEMORY BUS DVR/RCV CONVERTERS C5-C8
3	3	S2 MEMORY BUS DVR/RCV CONVERTERS BYTE 1
4	4	S2 CONVERTED ADDR'S AND SPECIAL BITS TO MEM

IBM CONFIDENTIAL
PART NO
8550046
LOGIC PG NO
MM000

VOL CAB WIRE 1 TO T2D03 YZ836-MM021001- 2
 VOL CAB WIRE 5 TO T3D03 YZ836-MM021002- 7
 VOL CAB WIRE 9 TO T4D03 YZ836-MM021003- 12
 VOL CAB WIRE 2 TO U2D03 YZ836-MM021004- 17
 VOL CAB WIRE 6 TO U3D03 YZ836-MM021005- 22
 VOL CAB WIRE 10 TO U4D03 YZ836-MM021006- 27
 VOL CAB WIRE 14 TO U5D03 YZ836-MM021007- 32
 VOL CAB WIRE 13 TO T5D03 YZ836-MM021008- 37
 VOL CAB WIRE 3 TO U2B06 YZ836-MM021009- 42
 VOL CAB WIRE 7 TO U3B06 YZ836-MM021010- 47
 VOL CAB WIRE 11 TO U4B06 YZ836-MM021011- 52
 VOL CAB WIRE 15 TO U5B06 YZ836-MM021012- 57
 VOL CAB WIRE 4 TO U2B11 YZ836-MM021013- 62
 VOL CAB WIRE 8 TO U3B11 YZ836-MM021014- 67
 VOL CAB WIRE 12 TO U4B11 YZ836-MM021015- 72
 VOL CAB WIRE 16 TO U5B11 YZ836-MM021016- 77
 - 4V TO LED S-MM465BL4- 82



LOC. TYPE

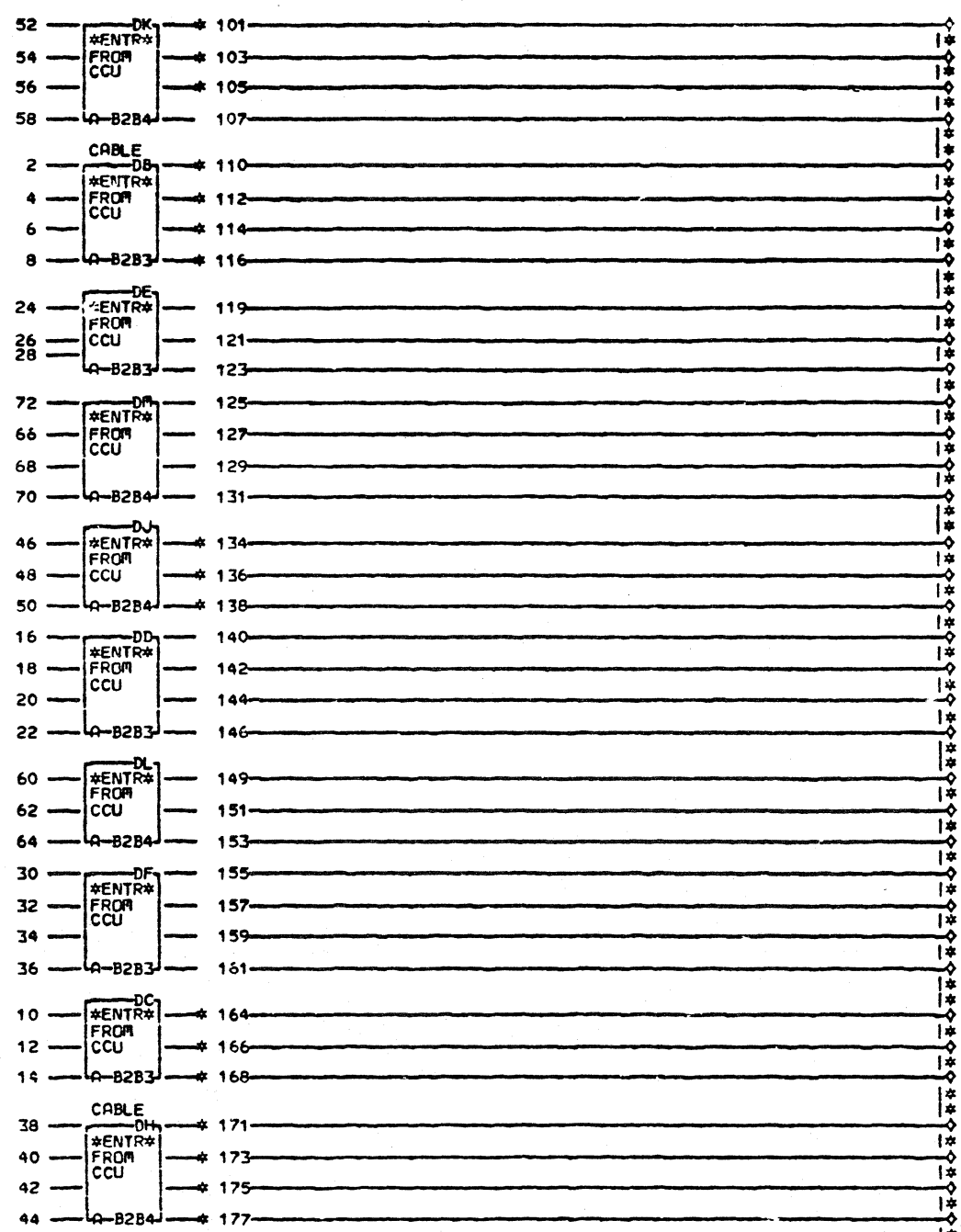


000 MM021
 102 + 5 VOLTS-MM652-AC2
 111 + 5 VOLTS-MM651-BC4
 418 - 4V WIRE 113-YZ859-FJ4

MM021
 000

SERV WIRING	
E.C. HISTORY	E. MACH. 3705
344276	FRAME 01
344616	IBM CORP. SCD
344828	MM021
DATE LAST EC	P.N. 855000
06-29-81 344860	000

+ MEM RESET UNUSED AM001DB1- 2
 + STORE NEW AM001DB3- 4
 + RESET AM001DB5- 6
 - ALLOW SET MEMORY DIAG REG AM001DB7- 8
 + RESET MEMORY DIAG REG AM001DC2- 10
 + BAD ADDRESS UNUSED AM001DC4- 12
 + CABLE PLUGGED IN UNUSED AM001DC6- 14
 UNUSED AM001DD1- 16
 UNUSED AM001DD3- 18
 UNUSED AM001DD5- 20
 UNUSED AM001DD7- 22
 UNUSED AM001DE2- 24
 UNUSED AM001DE4- 26
 UNUSED AM001DE6- 28
 UNUSED AM001DF1- 30
 UNUSED AM001DF3- 32
 UNUSED AM001DF5- 34
 UNUSED AM001DF7- 36
 + REFRESH DOUBLETIME AM003DH1- 38
 - C TIME TO MEM AM003DH3- 40
 - MEM STORE NEW TIME TO MEM AM003DH5- 42
 + OSC OUTPUT TO MEM AM003DH7- 44
 + ACTIVE CLOCK STEP GATED AM003DJ2- 46
 + LAMP TEST TO MEM AM003DJ4- 48
 - LATCHED STORE TO MEM AM003DJ6- 50
 + RESET MACHINE CHECK AM003DK1- 52
 + RD CALL WR CALL PULSE TO MEM AM003DK3- 54
 - GATE DOUBLE BIT ERR LATCH AM003DK5- 56
 UNUSED AM003DK7- 58
 UNUSED AM003DL2- 60
 UNUSED AM003DL4- 62
 UNUSED AM003DL6- 64
 UNUSED MM151001- 66
 UNUSED MM151002- 68
 UNUSED MM151003- 70
 - REFRESH PEND IF CK STEP MM456CB2- 72



000 MM151

110 + MEM RESET UNUSED DB1
 112 + STORE NEW DB3
 LMM452 LMM453 LMM456
 114 + RESET DB5
 LMM455 LMM463
 116 - ALLOW SET MEM DIAG REG MM456-DB7
 164 + RESET MEM DIAG REG DC2
 LMM354 LMM374 LMM456
 166 + BAD ADDRESS UNUSED DC4
 168 + CABLE PLUGGED IN UNUSED DC6
 140 SPARE DD1
 142 SPARE DD3
 144 SPARE DD5
 146 SPARE DD7
 119 SPARE DE2
 121 SPARE DE4
 123 SPARE DE6
 155 SPARE DF1
 157 SPARE DF3
 159 SPARE DF5
 161 SPARE DF7
 171 + REFRESH DOUBLE TIME DH1
 LMM454 LMM463
 173 - C TIME TO MEM MM454-DH3
 175 - MEM STORE NEW TIME TO MEM DH5
 LMM360 LMM361 LMM380 LMM381
 LMM452 LMM453 LMM455 LMM456
 LMM463 LMM752 LMM762
 177 + OSC OUTPUT TO MEM MM454-DH7
 134 + ACTIVE CLOCK STEP GATED MM454-DJ2
 136 + LAMP TEST TO MEM MM464-DJ4
 138 - LATCHED STORE TO MEM DJ6
 LMM452 LMM453
 101 + RESET MACHINE CHECK MM463-DK1
 103 + RD WR CALL MM453-DK3
 105 - REMEMBER DOUBLE BIT ERR MM463-DK5
 107 SPARE DK7
 149 SPARE DL2
 151 SPARE DL4
 153 SPARE DL6
 125 - REFRESH PENDING IF CLK STEP DM1
 LAM003
 127 SPARE DR3
 129 SPARE DR5
 131 SPARE DR7

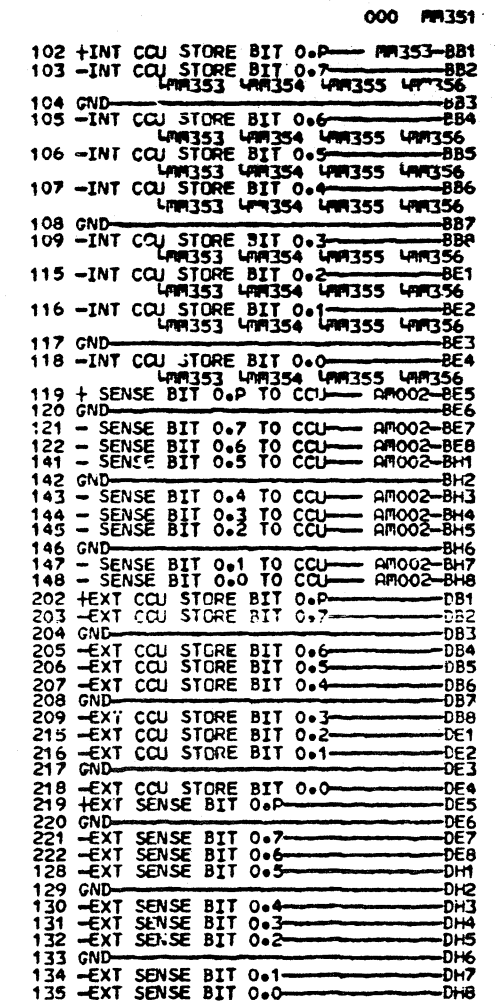
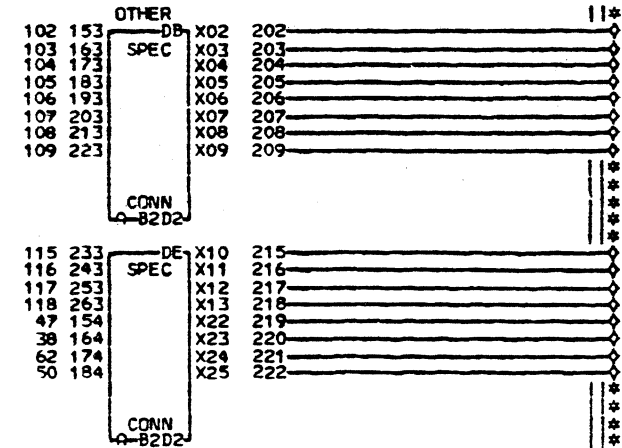
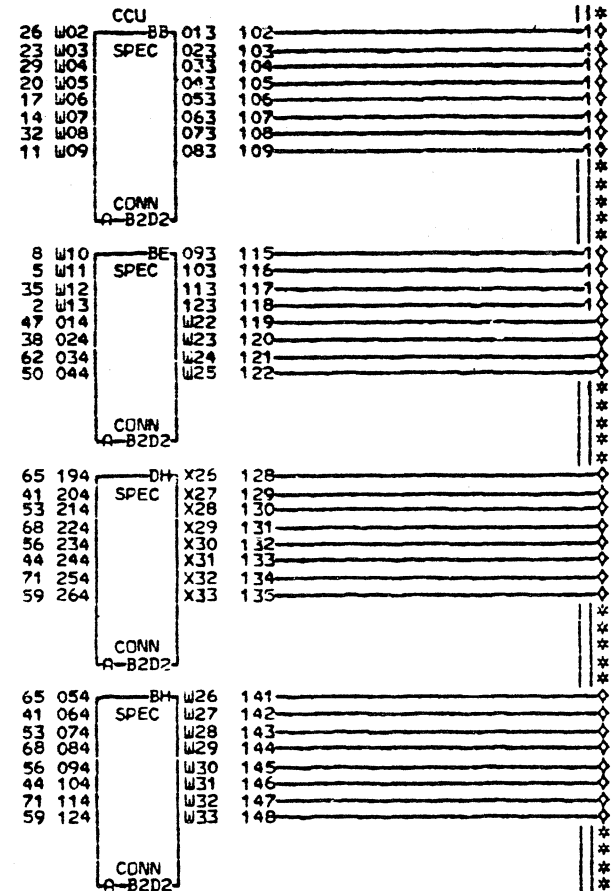
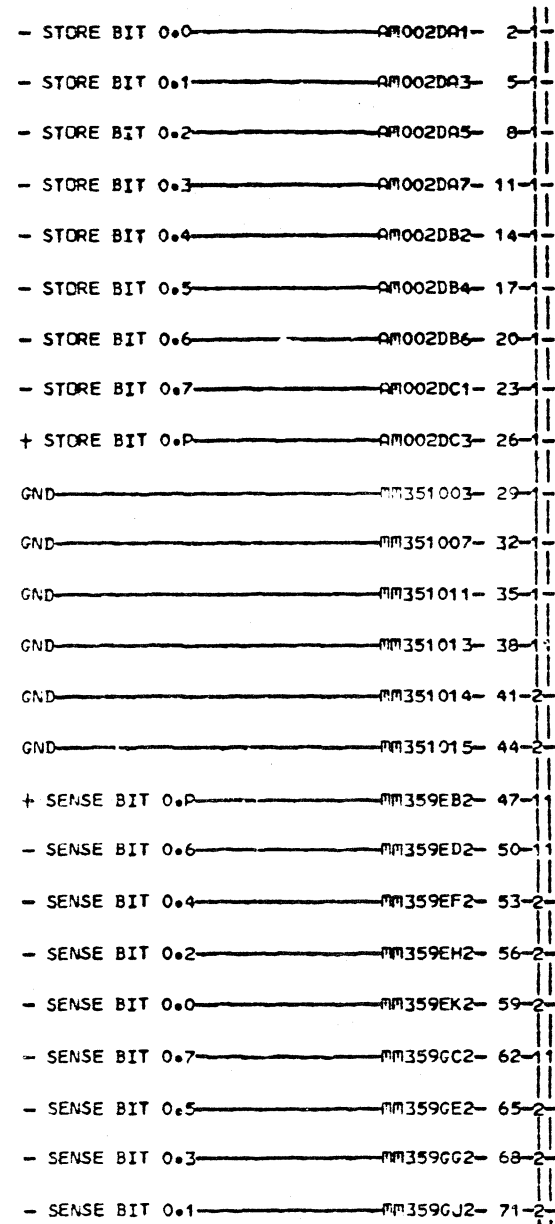
EDGE CONN. 138 A-B2B4B10

101	A-B2B4B08	164	A-B2B3D07
103	A-B2B4D07	166	A-B2B3D09
105	A-B2B4B06	168	A-B2B3D10
110	A-B2B3D02	171	A-B2B4B13
112	A-B2B3D03	173	A-B2B4D11
114	A-B2B3D05	175	A-B2B4D10
116	A-B2B3D06	177	A-B2B4D09
134	A-B2B4D13		
136	A-B2B4B09		

MM151
000

LOC. TYPE

CONTROL CABLE CONNECTIONS	
E.C. HISTORY 344276	E. PACH. 3705
DATE 10-14-80	LAST EC 344270
FRAPPE 01	IBM CORP. SCD MM151
P.No. 8550001	000

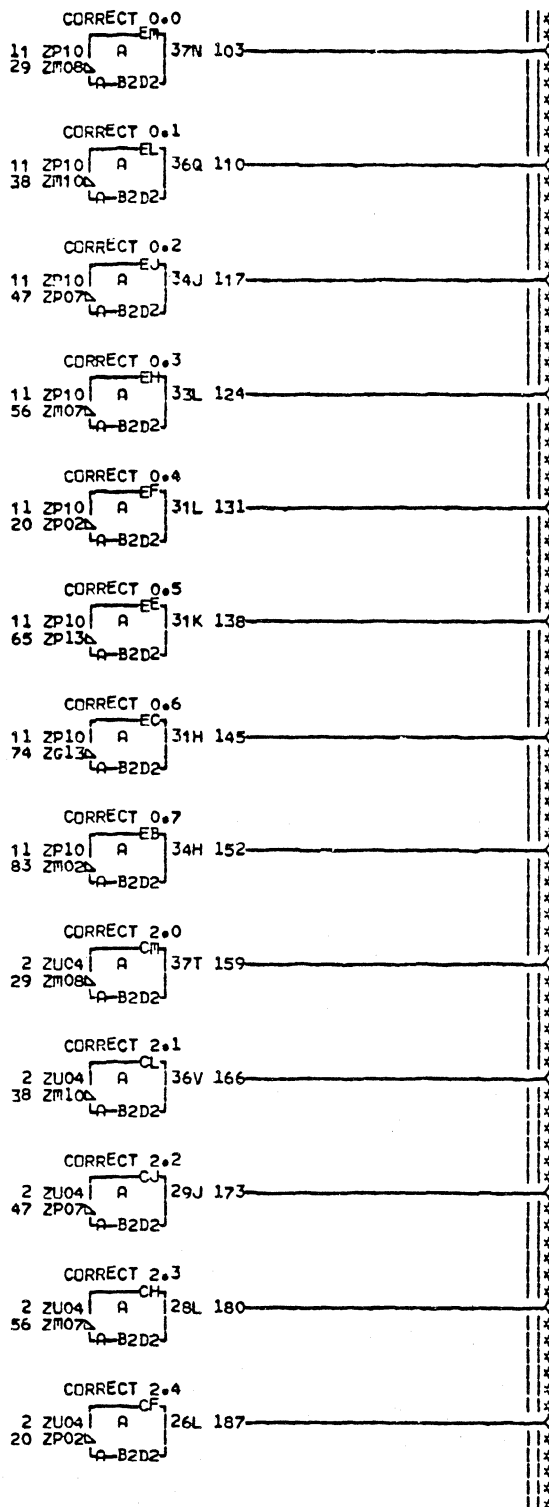


LOC. TYPE
A-B2D2 CG01

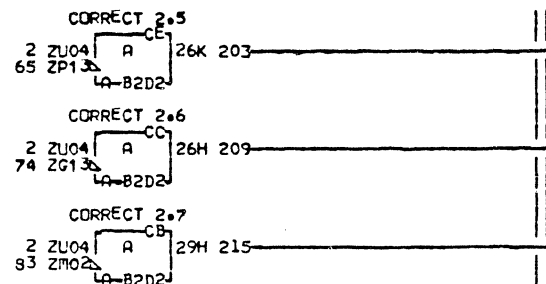
MM351
000

STORE/SENSE TCC	MM351
BYTE 0	
E.C. HISTORY	E. MACH. 3705
344276	
FRAME	01
DATE	10-14-80
LAST EC	344270
IBR CORP. SCD	MM351
P.N. 8550002	000

+ BYTE 2 ERR OR FORCE ERR MM358CF4- 2-53
 + BYTE 0 ERR OR FORCE ERR MM358CG4- 11-8
 - BIT 4 ERR MM461E80- 20-2
 - BIT 0 ERR MM461EB4- 29-2
 - BIT 1 ERR MM461EB5- 38-2
 - BIT 2 ERR MM461EB7- 47-2
 - BIT 3 ERR MM461EH3- 56-2
 - BIT 5 ERR MM461EH6- 65-1
 - BIT 6 ERR MM461EH8- 74-1
 - BIT 7 ERR MM461EH9- 83-1



LOC. TYPE
A-B2D2 CG01



000 MM352

215 + CORRECT 2.7 MM355-CB2
 209 + CORRECT 2.6 MM355-CC2
 203 + CORRECT 2.5 MM355-CE2
 187 + CORRECT 2.4 MM355-CF2
 180 + CORRECT 2.3 MM355-CH2
 173 + CORRECT 2.2 MM355-CJ2
 166 + CORRECT 2.1 MM355-CL2
 159 + CORRECT 2.0 MM355-CM2
 152 + CORRECT 0.7 MM356-EB2
 145 + CORRECT 0.6 MM356-EC2
 138 + CORRECT 0.5 MM356-EE2
 131 + CORRECT 0.4 MM356-EF2
 124 + CORRECT 0.3 MM356-EH2
 117 + CORRECT 0.2 MM356-EJ2
 110 + CORRECT 0.1 MM356-EL2
 103 + CORRECT 0.0 MM356-EM2

MM352
000

ECC BIT COR 0.2	
E.C. HISTORY	E. MACH. 3705
DATE	LAST EC
08-29-80	344276
FRAME	01
IBR CORP.	MM352
P.N.	8550003 000

+INT CCU STORE BIT 0.0 MM351BB1- 2-
 -INT CCU STORE BIT 0.7 MM351BB2- 12-
 -INT CCU STORE BIT 0.6 MM351BB4- 22-
 -INT CCU STORE BIT 0.5 MM351BB5- 32-
 -INT CCU STORE BIT 0.4 MM351BB6- 42-
 -INT CCU STORE BIT 0.3 MM351BB8- 52-
 -INT CCU STORE BIT 0.2 MM351BE1- 62-
 -INT CCU STORE BIT 0.1 MM351BE2- 72-
 -INT CCU STORE BIT 0.0 MM351BE4- 82-

BYTE 0
 CCU PARITY ERR
 141 EV 13 104
 122
 117
 117
 117
 117
 127
 137
 142
 132
 132
 132
 132
 132
 132
 132
 132
 132

LOC. TYPE
A-B2D2 CG01

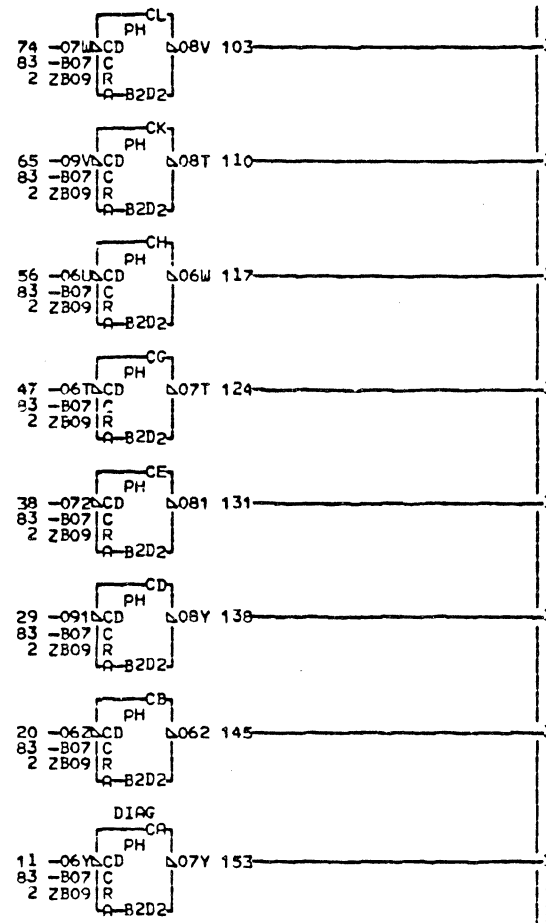
mm353
000

TERM BYTE 0	
-E.C.-HISTORY-	E-MACH.3705
DATE LAST EC	FRAME 01
00-29-80 344276	IBN CORP. MM353
	P.N. 8550004 000

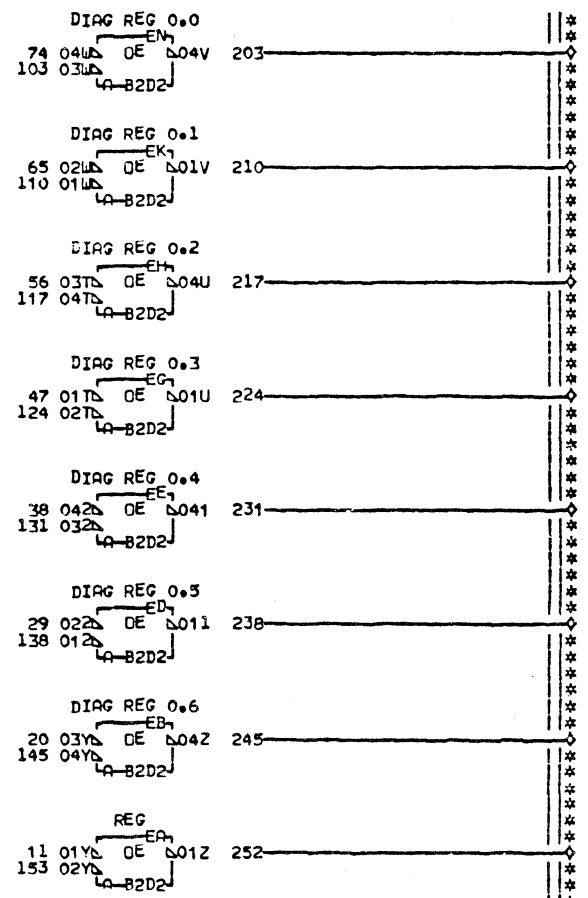
```

+ RESET MEM DIAG REG MM1510C2- 2-8-1
-INT CCU STORE BIT 0.7 MM351BB2- 11-1
-INT CCU STORE BIT 0.6 MM351BB4- 20-1
-INT CCU STORE BIT 0.5 MM351BB5- 29-1
-INT CCU STORE BIT 0.4 MM351BB6- 38-1
-INT CCU STORE BIT 0.3 MM351BB8- 47-1
-INT CCU STORE BIT 0.2 MM351BE1- 56-1
-INT CCU STORE BIT 0.1 MM351BE2- 65-1
-INT CCU STORE BIT 0.0 MM351BE4- 74-1
+ SET DIAG REG MM456EL2- 83-8

```



LOC. TYPE
A-B2D2 CG01



000 MM354

```

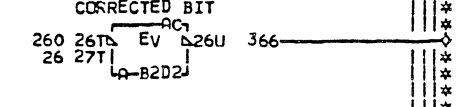
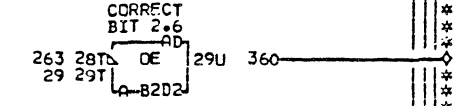
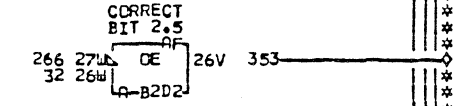
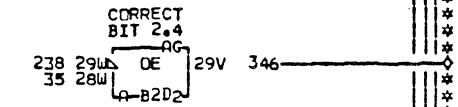
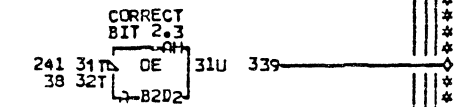
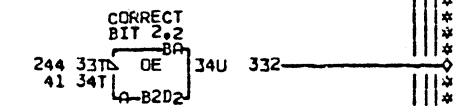
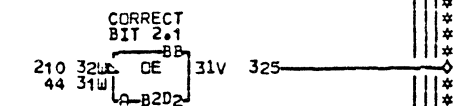
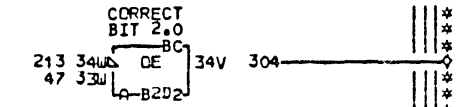
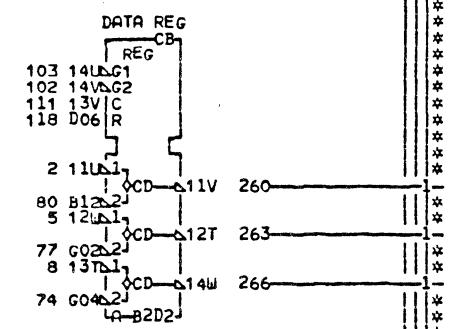
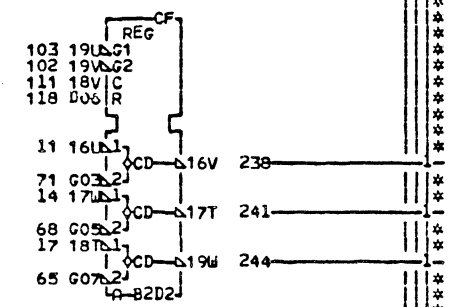
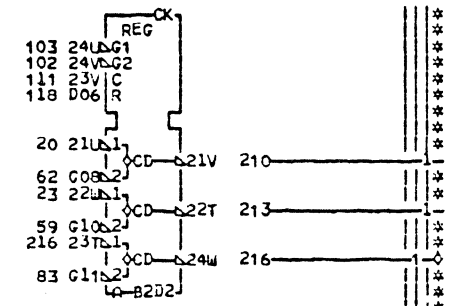
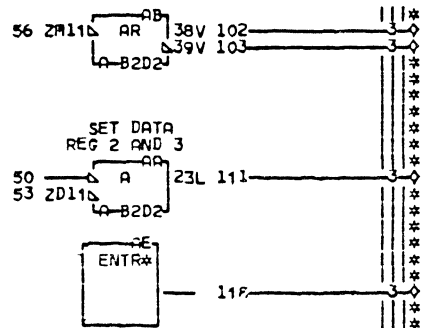
252 - DIAG REG 0.7 MM360 MM361 EA2
245 - DIAG REG 0.6 MM360 MM361 EB2
238 - DIAG REG 0.5 MM360 MM361 ED2
231 - DIAG REG 0.4 MM360 MM361 EE2
224 - DIAG REG 0.3 MM360 MM361 EG2
217 - DIAG REG 0.2 MM360 MM361 EH2
210 - DIAG REG 0.1 MM360 MM361 EK2
203 - DIAG REG 0.0 MM360 MM361 EN2

```

MM354
000

DIAG REG BYTE 0.2	
E.C. HISTORY	E. MACH. 3705
FRAME	01
DATE LAST EC	IBM CORP. MM354
08-29-80 344276	P.N. 8550005 000

-INT CCU STORE BIT 0.7 MM351BB2- 2
 -INT CCU STORE BIT 0.6 MM351BB4- 5
 -INT CCU STORE BIT 0.5 MM351BB5- 8
 -INT CCU STORE BIT 0.4 MM351BB6- 11
 -INT CCU STORE BIT 0.3 MM351BB8- 14
 -INT CCU STORE BIT 0.2 MM351BE1- 17
 -INT CCU STORE BIT 0.1 MM351BE2- 20
 -INT CCU STORE BIT 0.0 MM351BE4- 23
 + CORRECT 2.7 MM352CB2- 26
 + CORRECT 2.6 MM352CC2- 29
 + CORRECT 2.5 MM352CE2- 32
 + CORRECT 2.4 MM352CF2- 35
 + CORRECT 2.3 MM352CH2- 38
 + CORRECT 2.2 MM352CJ2- 41
 + CORRECT 2.1 MM352CL2- 44
 + CORRECT 2.0 MM352CM2- 47
 - TIE UP MM360AL2- 50
 - SET DATA REG 2 AND 3 MM456DE2- 53
 - GATE CCU 2 AND 3 TO DATA REG MM456DH6- 56
 - MEM SENSE BIT 2.0 MM751DA6* 59
 - MEM SENSE BIT 2.1 MM751DB6* 62
 - MEM SENSE BIT 2.2 MM751DD6* 65
 - MEM SENSE BIT 2.3 MM751DF6* 68
 - MEM SENSE BIT 2.4 MM751DH6* 71
 - MEM SENSE BIT 2.5 MM751DK6* 74
 - MEM SENSE BIT 2.6 MM751DM6* 77
 - MEM SENSE BIT 2.7 MM751DN6* 80
 - MEM SENSE BIT C.3 MM752DA6* 83



000 MM355
 111 + SET DATA REG 2 AND 3 MM358-AA2
 118 + CARD TEST RESET MM356 MM358
 102 GATE LOWER MM358-AH2
 103 GATE UPPER MM358-AH6
 216 - DATA REG BIT C.3 MM357-CK8
 366 + CORRECT BIT 2.7 MM357 MM359 MM360 EB2
 360 + CORRECT BIT 2.6 MM357 MM359 MM360 EC2
 353 + CORRECT BIT 2.5 MM357 MM359 MM360 ED2
 346 + CORRECT BIT 2.4 MM357 MM359 MM360 EF2
 339 + CORRECT BIT 2.3 MM357 MM359 MM360 EG2
 332 + CORRECT BIT 2.2 MM357 MM359 MM360 EH2
 325 + CORRECT BIT 2.1 MM357 MM359 MM360 EK2
 304 + CORRECT BIT 2.0 MM357 MM359 MM360 EL2

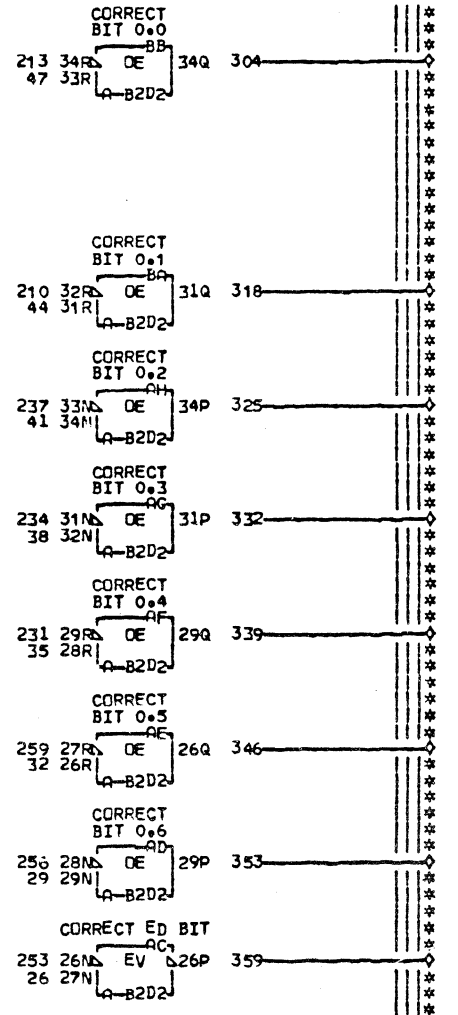
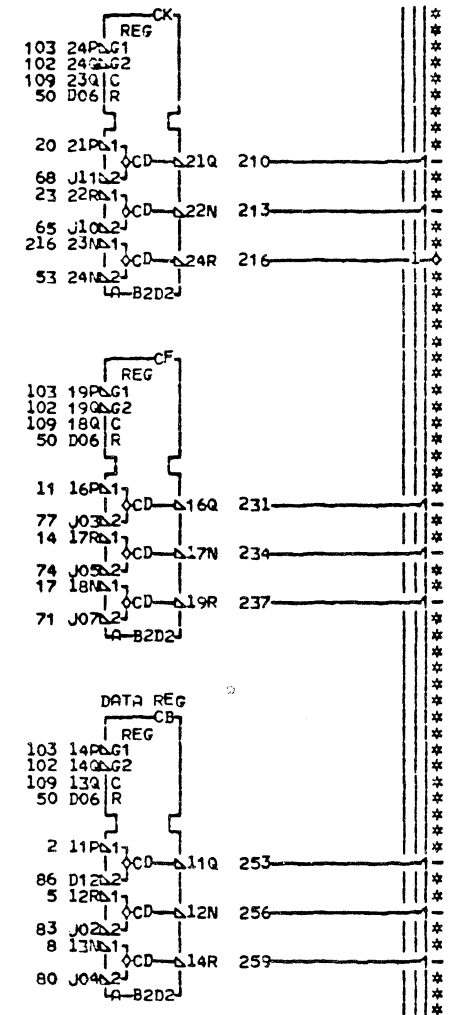
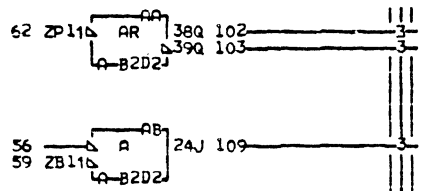
EDGE CONN.
 59 RESISTOR A-B2D2G03
 A-B2D2G10 74 RESISTOR A-B2D2G04
 62 RESISTOR 77 RESISTOR A-B2D2G02
 A-B2D2G08 80 RESISTOR A-B2D2G07
 65 RESISTOR 80 RESISTOR A-B2D2B12
 A-B2D2G07 83 RESISTOR A-B2D2G11
 68 RESISTOR A-B2D2G05
 A-B2D2G05 71 RESISTOR

LOC. TYPF
 A-B2D2 CG01

MM355
 000

DATA AND COR BYTE 0/2			
-E.C.-HISTORY-		E-MACH.3705	
DATE	LAST EC	FRAME	01
08-29-80	344276	I3M CORP.	MM355
		P.N. 8550006	000

-INT CCU STORE BIT 0.7 MM351BB2- 2
 -INT CCU STORE BIT 0.6 MM351BB4- 5
 -INT CCU STORE BIT 0.5 MM351BB5- 8
 -INT CCU STORE BIT 0.4 MM351BB6- 11
 -INT CCU STORE BIT 0.3 MM351BB8- 14
 -INT CCU STORE BIT 0.2 MM351BE1- 17
 -INT CCU STORE BIT 0.1 MM351BE2- 20
 -INT CCU STORE BIT 0.0 MM351BE4- 23
 + CORRECT 0.7 MM352EB2- 26
 + CORRECT 0.6 MM352EC2- 29
 + CORRECT 0.5 MM352EE2- 32
 + CORRECT 0.4 MM352EF2- 35
 + CORRECT 0.3 MM352EH2- 38
 + CORRECT 0.2 MM352EJ2- 41
 + CORRECT 0.1 MM352EL2- 44
 + CORRECT 0.0 MM352EM2- 47
 + CARD TEST RESET MM355AE4- 50
 SPARE MM356011- 53
 - TIE UP MM360AL2- 56
 - SET DATA REG 0 AND 1 MM456DF2- 59
 - GATE CCU 0 AND 1 TO DATA REG MM456DJ6- 62
 - MEM SENSE BIT 0.0 MM761DA6* 65
 - MEM SENSE BIT 0.1 MM761DB6* 68
 - MEM SENSE BIT 0.2 MM761DD6* 71
 - MEM SENSE BIT 0.3 MM761DF6* 74
 - MEM SENSE BIT 0.4 MM761DH6* 77
 - MEM SENSE BIT 0.5 MM761DK6* 80
 - MEM SENSE BIT 0.6 MM761DM6* 83
 - MEM SENSE BIT 0.7 MM761DN6* 86



000 MM356
 216 SPARE CK8
 359 + CORRECT BIT 0.7 EB2
 353 + CORRECT BIT 0.6 EC2
 346 + CORRECT BIT 0.5 ED2
 339 + CORRECT BIT 0.4 EF2
 332 + CORRECT BIT 0.3 EG2
 325 + CORRECT BIT 0.2 EH2
 318 + CORRECT BIT 0.1 EK2
 304 + CORRECT BIT 0.0 EL2

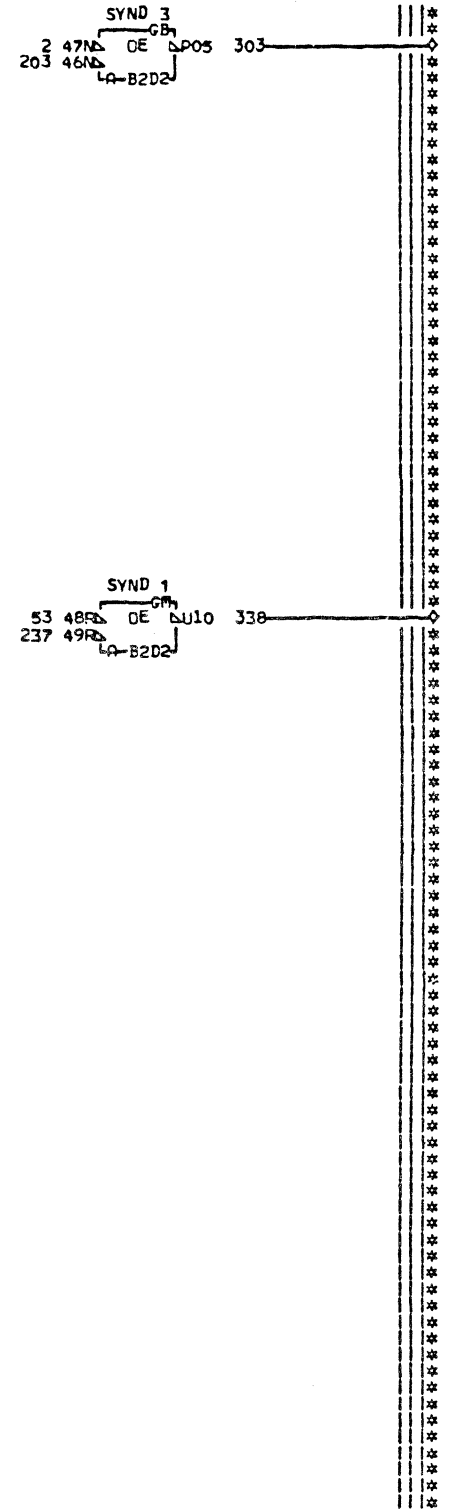
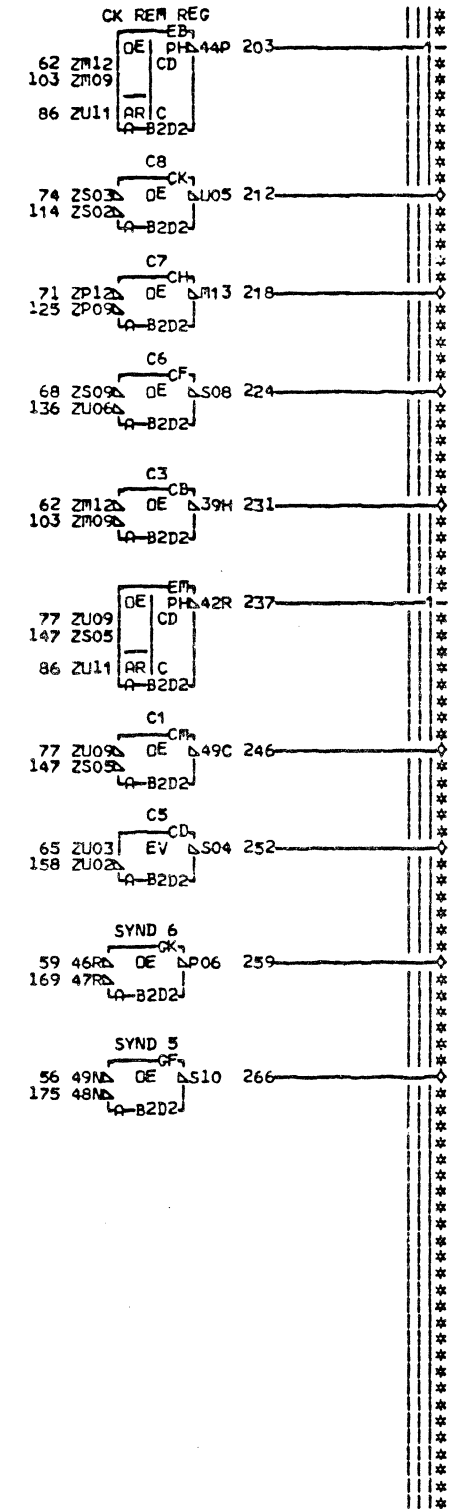
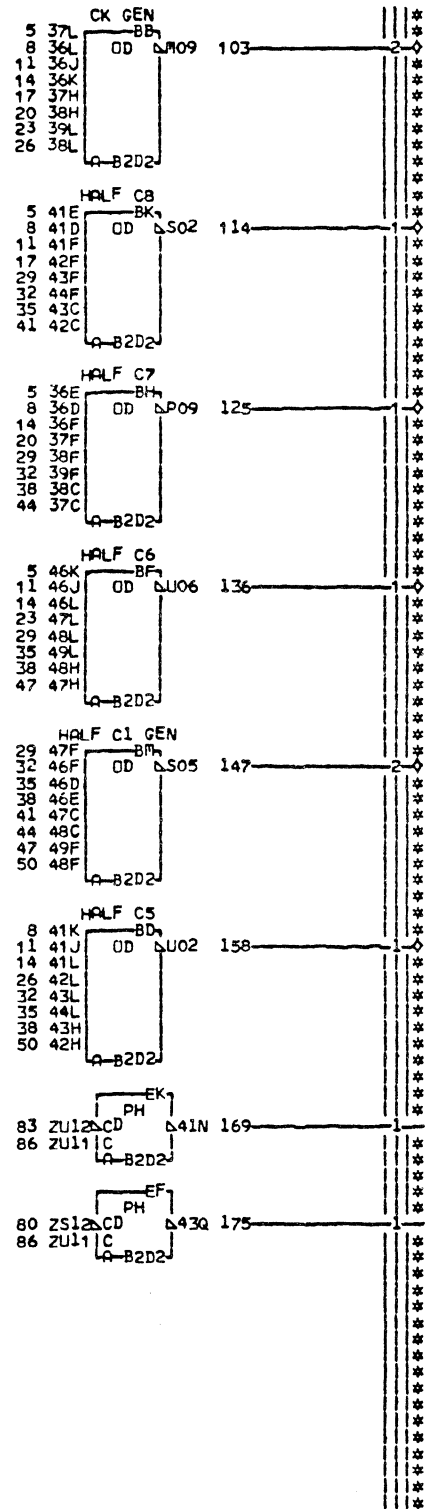
EDGE CONN.
 65 RESISTOR A-B2D2J03
 A-B2D2J10 RESISTOR
 68 RESISTOR A-B2D2J04
 A-B2D2J11 RESISTOR
 71 RESISTOR A-B2D2J02
 A-B2D2J07 RESISTOR
 74 RESISTOR A-B2D2J05
 A-B2D2J05 RESISTOR
 77 RESISTOR A-B2D2D12

LOC. TYPE
 A-B2D2 CG01

MM356
 000

DATA AND COR BYTE 0
 -E.C.-HISTORY-E.MACH.3705
 FRAME 01
 IBM CORP. MM356
 DATE LAST EC 08-29-80 344276
 P.No. 8550007 000

- DAA REG BIT C.3 MM355CK8- 2-1-1
 + CORECT BIT 2.7 MM355EB2- 5-4
 + CORECT BIT 2.6 MM355EC2- 8-4
 + CORECT BIT 2.5 MM355ED2- 11-4
 + CORECT BIT 2.4 MM355EF2- 14-4
 + CORECT BIT 2.3 MM355EG2- 17-2
 + CORECT BIT 2.2 MM355EH2- 20-2
 + CORECT BIT 2.1 MM355EK2- 23-2
 + CORECT BIT 2.0 MM355EL2- 26-2
 + CORECT BIT 0.7 MM356EB2- 29-4
 + CORECT BIT 0.6 MM356EC2- 32-4
 + CORECT BIT 0.5 MM356ED2- 35-4
 + CORECT BIT 0.4 MM356EF2- 38-4
 + CORECT BIT 0.3 MM356EG2- 41-2
 + CORECT BIT 0.2 MM356EH2- 44-2
 + CORECT BIT 0.1 MM356EK2- 47-2
 + CORECT BIT 0.0 MM356EL2- 50-2
 - DAM REG BIT C.1 MM358BB2- 53-1
 - DAM REG BIT C.5 MM358BB5- 56-1
 - DAM REG BIT C.6 MM358BB8- 59-1
 - HAE C5 MM377BB4- 62-2
 HALF C5 MM377BD4- 65-1
 - HAE C6 MM377BF4- 68-1
 - HAE C7 MM377BH4- 71-1
 - HAE C8 MM377BK4- 74-1
 - HAE C1 GEN MM377BM4- 77-2
 - C5 0 MEM MM377CD2- 80-1
 - C6 0 MEM MM377CF2- 83-1
 +SETCC1 PARITY AND D.C. REM REG MM455BB2- 86-2-2

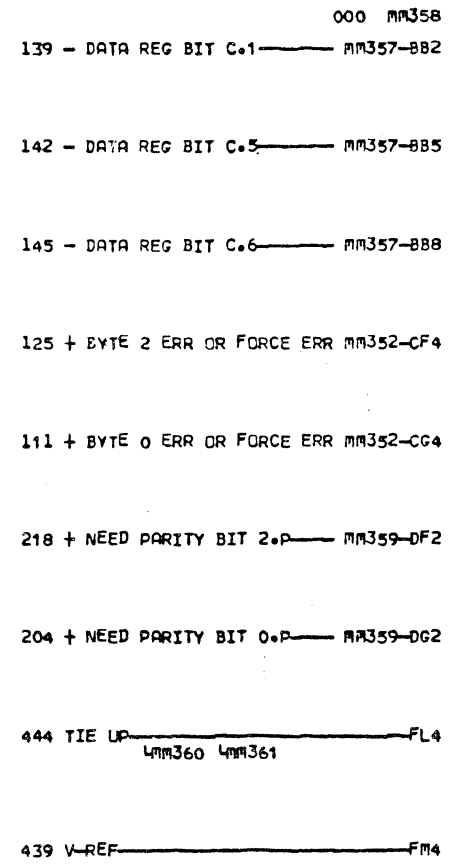
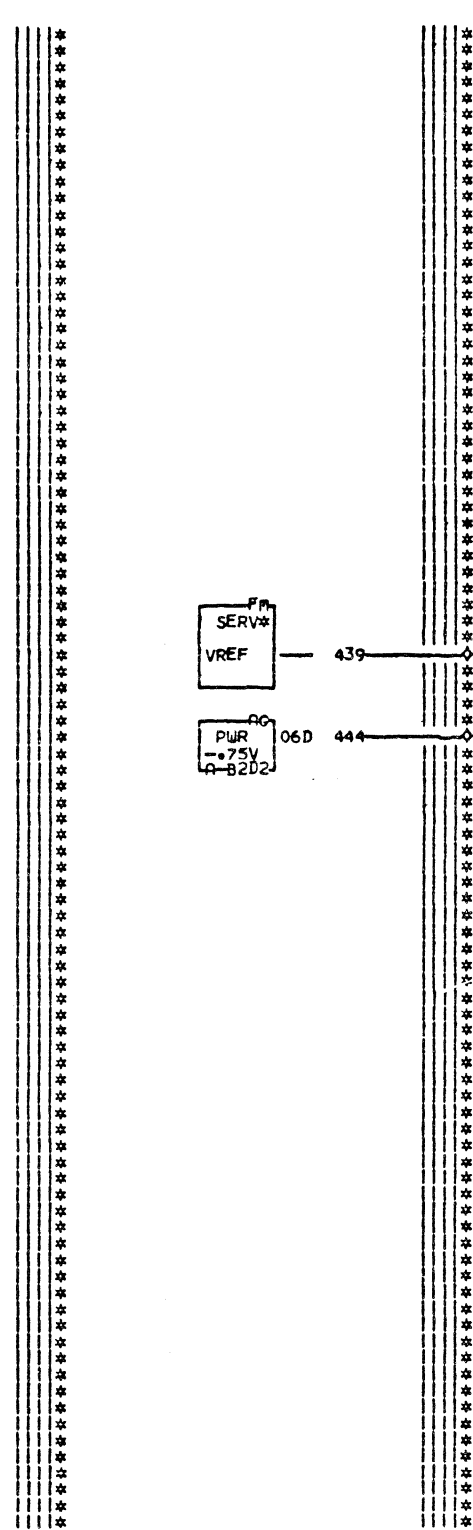
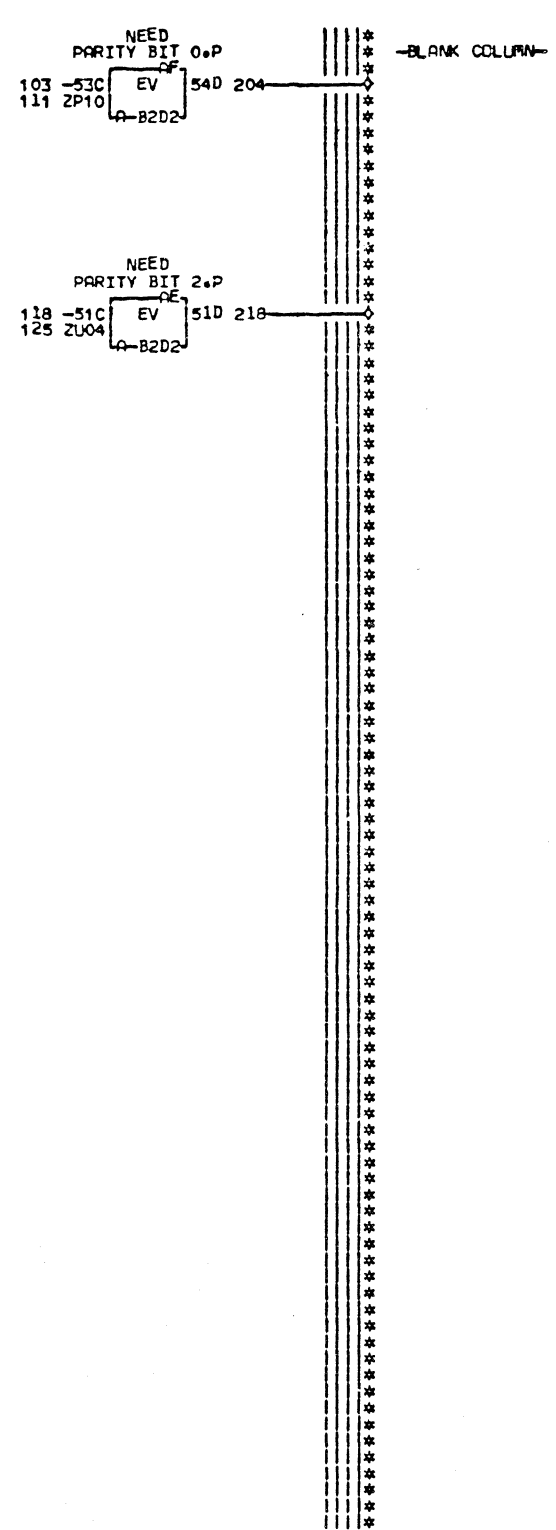
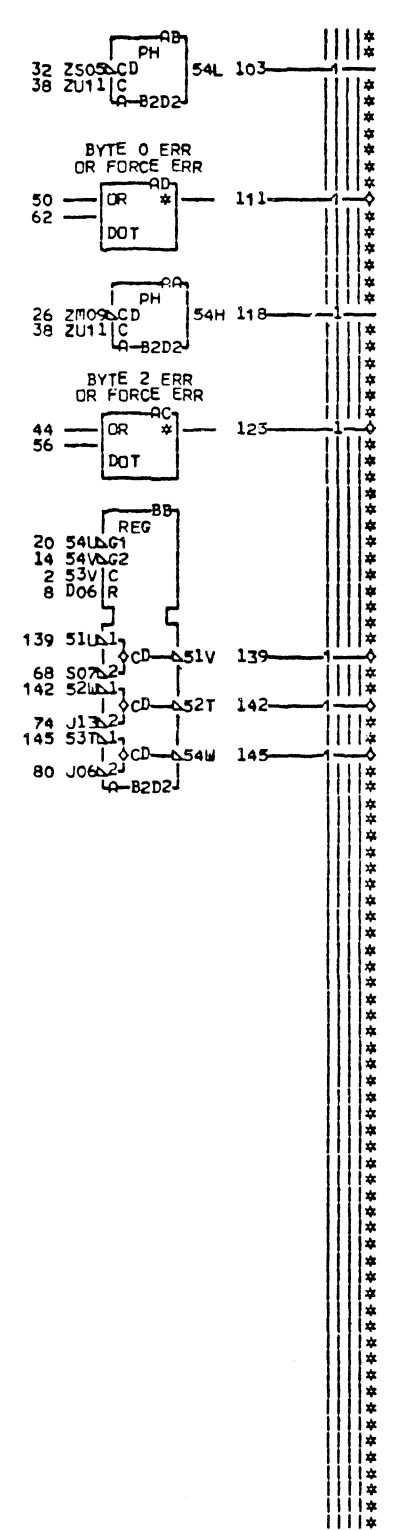
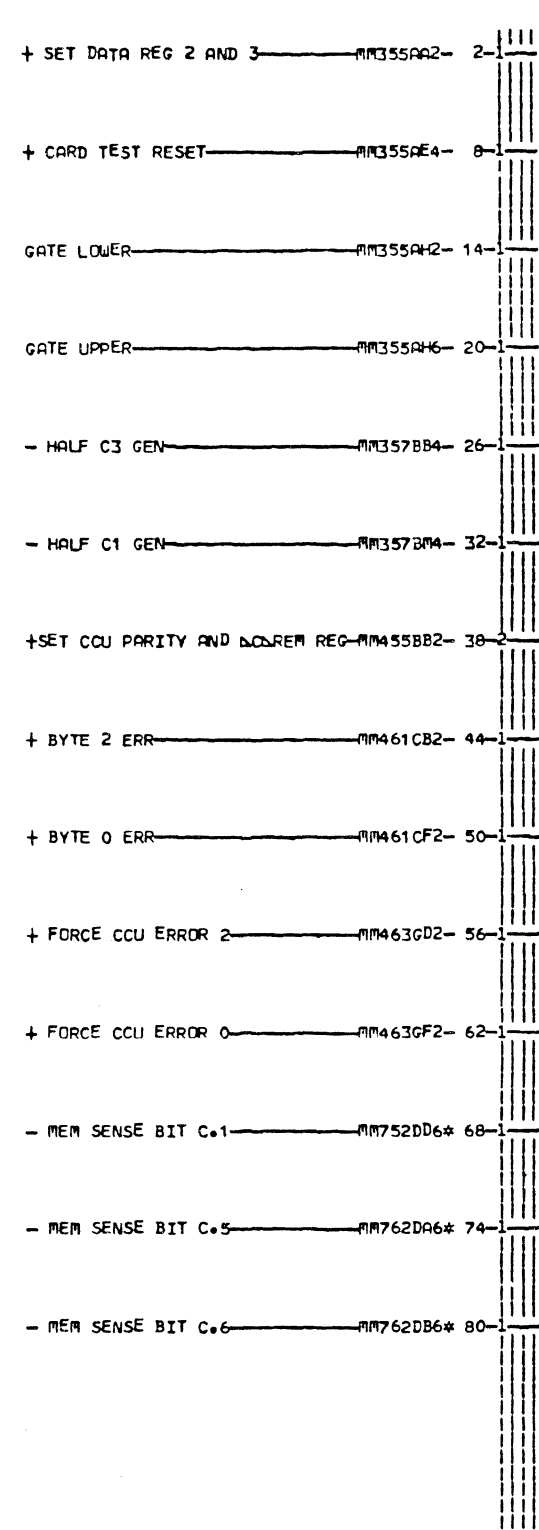


103 - HALF C3 GEN MM358 BB4
 158 - HALF C5 MM377-BD4
 136 - HALF C6 MM377-BF4
 125 - HALF C7 MM377-BH4
 114 - HALF C8 MM377-BK4
 147 - HALF C1 GEN MM377-BM4
 231 - C3 TO MEM MM360-CB2
 252 - C5 TO MEM MM361-CD2
 224 - C6 TO MEM MM361-CF2
 218 - C7 TO MEM MM377-CH2
 212 - C8 TO MEM MM377-CK2
 246 - C1 TO MEM MM360-CM2
 303 - SYND 3 MM461 MM462 GB2
 266 - SYND 5 MM461 MM462 GF2
 259 - SYND 6 MM461 MM462 GK2
 338 - SYND 1 MM461 MM462 GM2

LOC. TYPF
 A-B2D2 CG01

MM357
 000

ECC CK AND SYND GEN			
E.C. HISTORY		E-MACH. 3705	
DATE	LAST EC	IBN CORP.	MM357
08-29-80	344276	P.N. 8550008	000

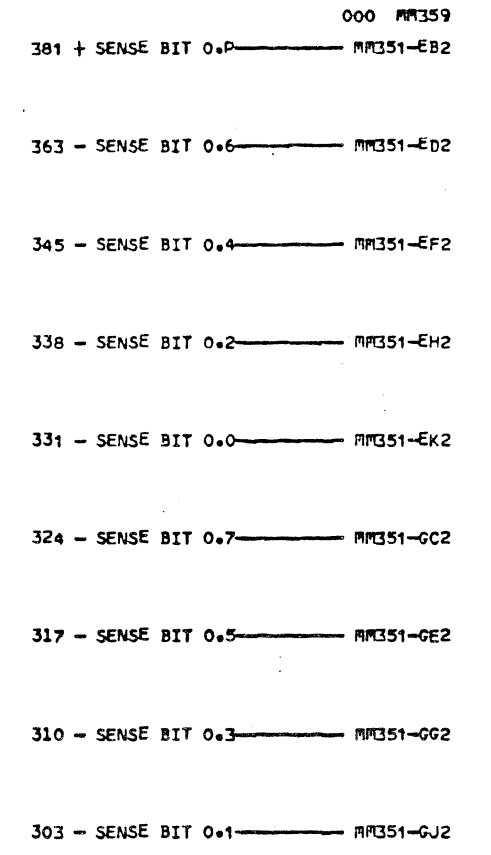
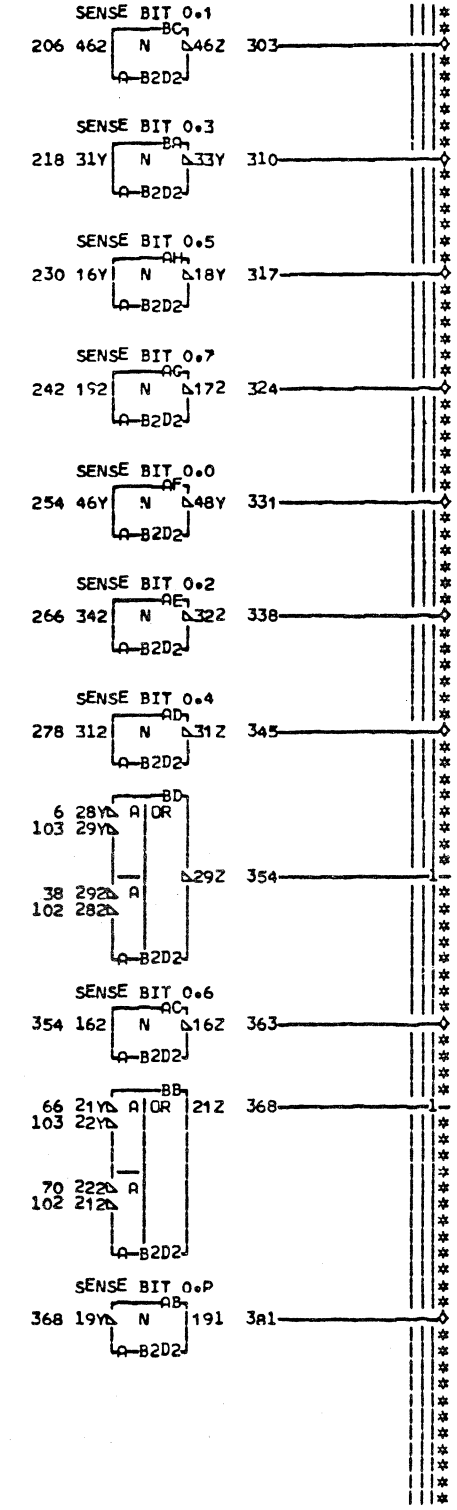
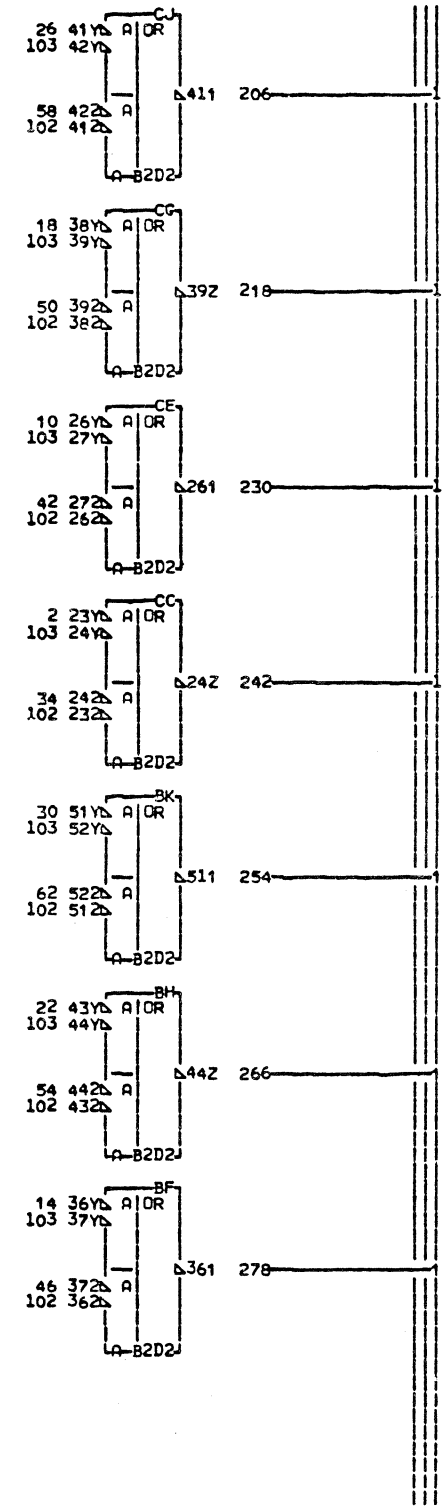
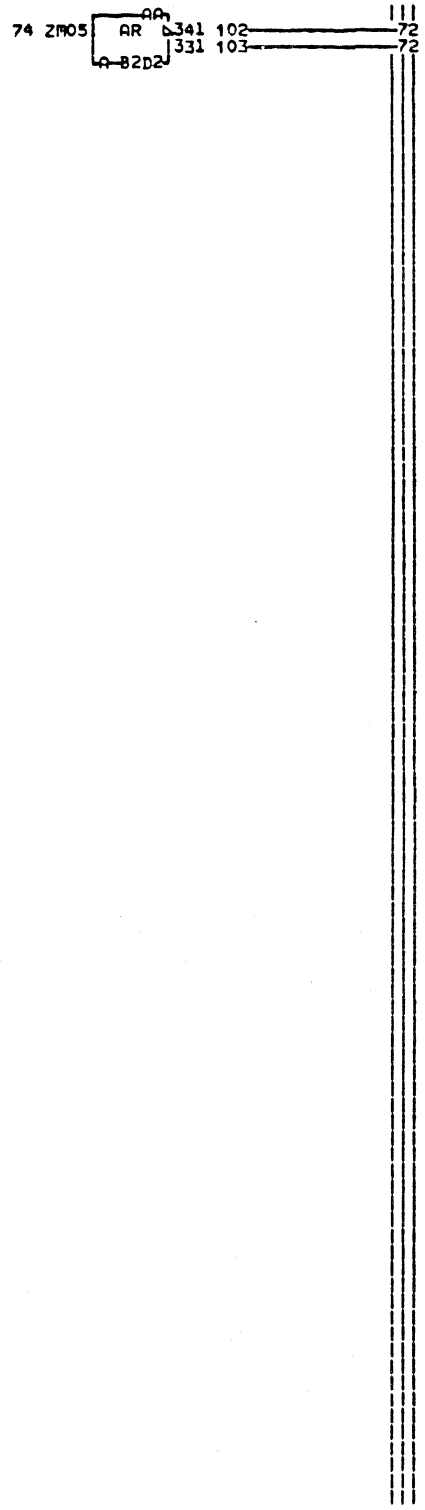
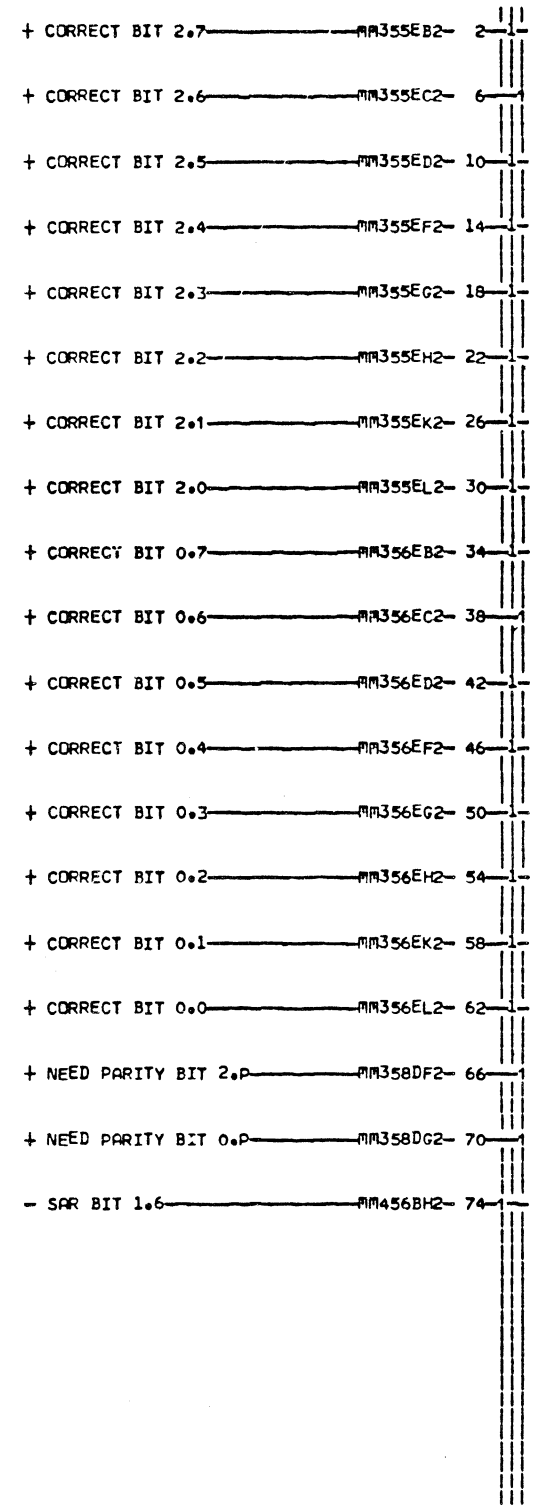


EDGE CONN.
 68 RESISTOR A-B2D2S07
 74 RESISTOR A-B2D2J13
 80 RESISTOR A-B2D2J06

LOC. TYPE
 A-B2D2 CG01

MM358
 000

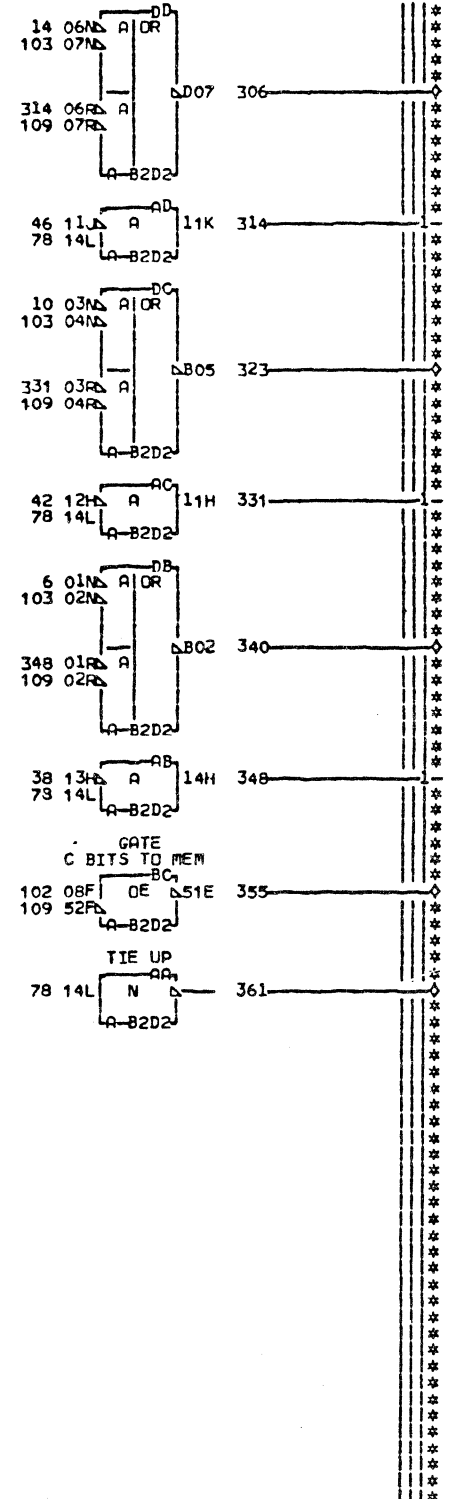
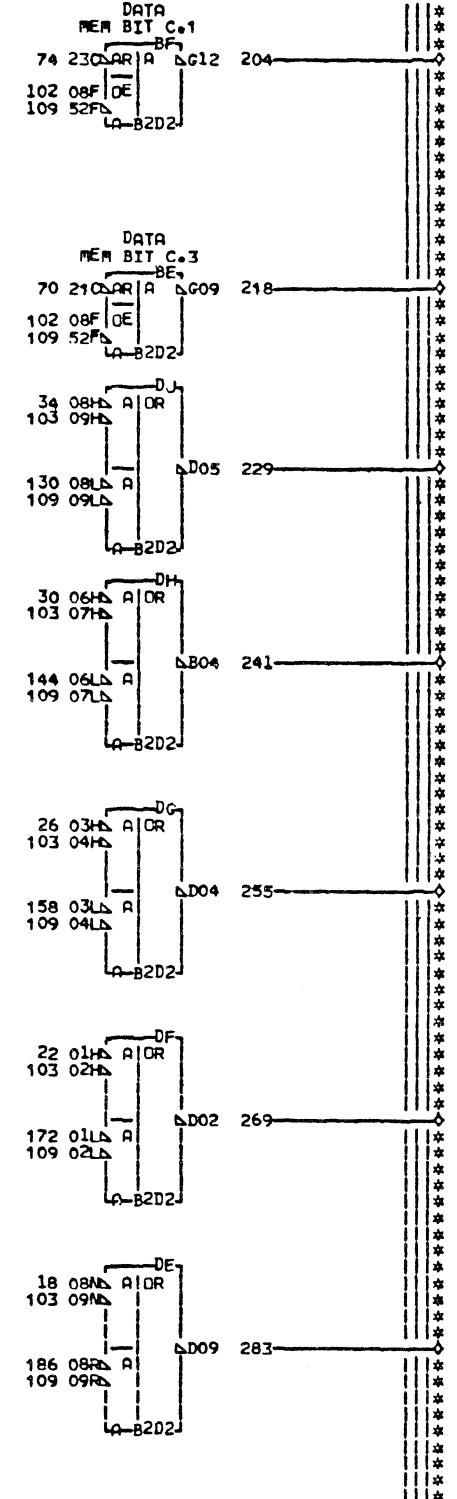
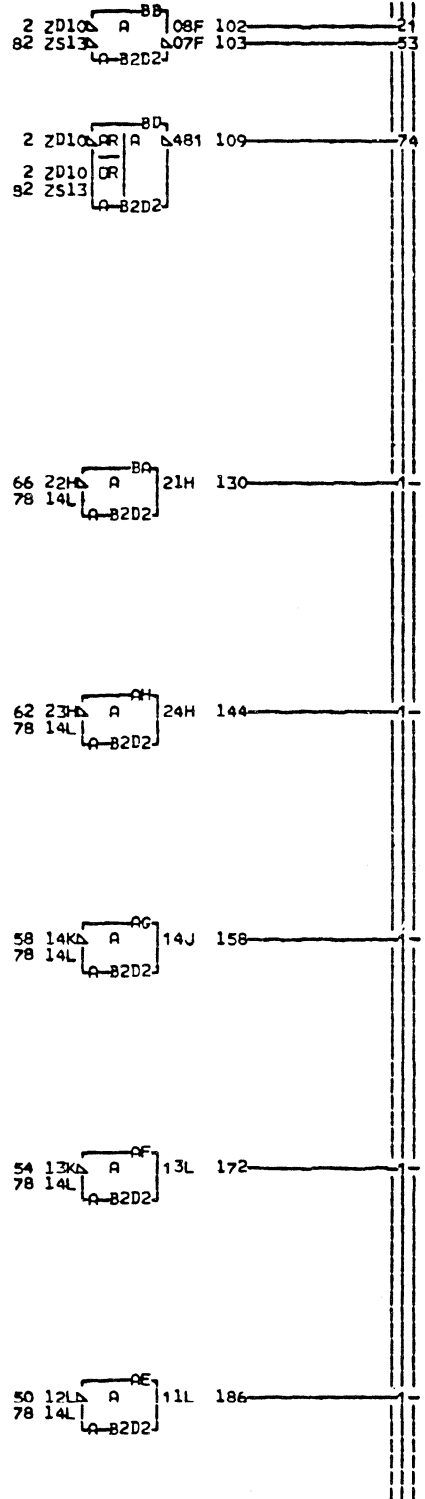
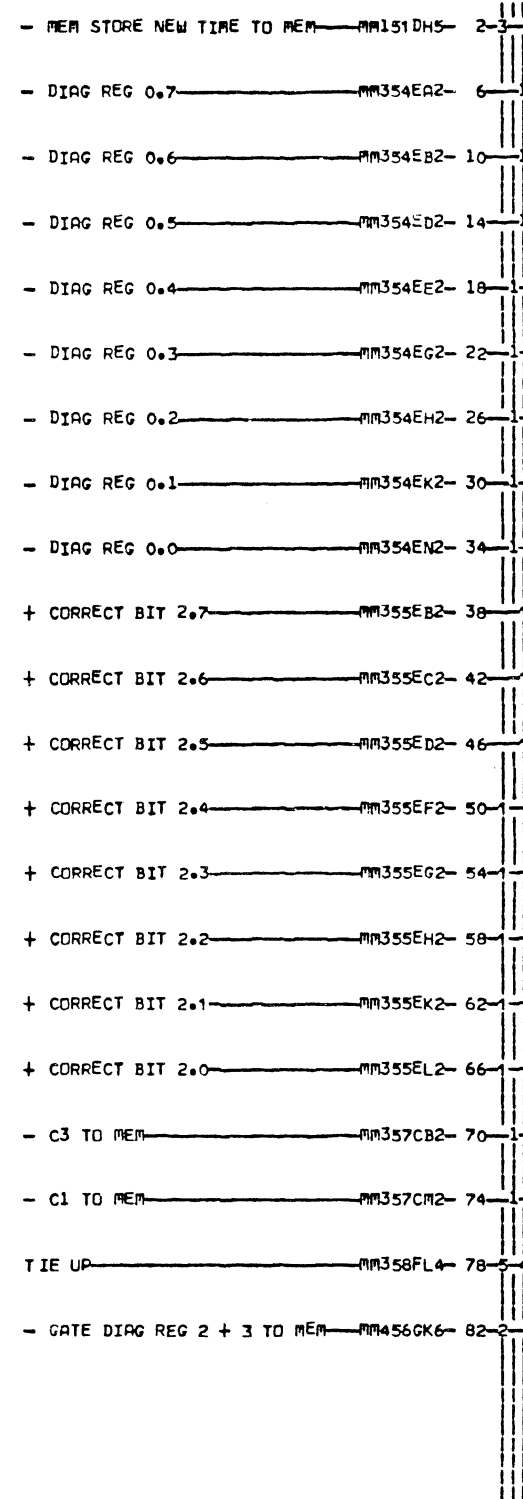
CCI PARITY GEN 0 AND 2	
E.C. HISTORY	E-MACH. 3705
DATE LAST EC	FRAME 01
08-29-80 344276	IBM CORP. MM358
	P.N. 8550009 000



MM359
000

1 DC. TYDF
A-B2D2 CG01

CCU SENSE BYTE 0	
E.C. HISTORY	E. MACH. 3705
DATE	LAST EC
08-29-80	344276
FRAME	01
IBM CORP.	MM359
P.N. 8550010	000



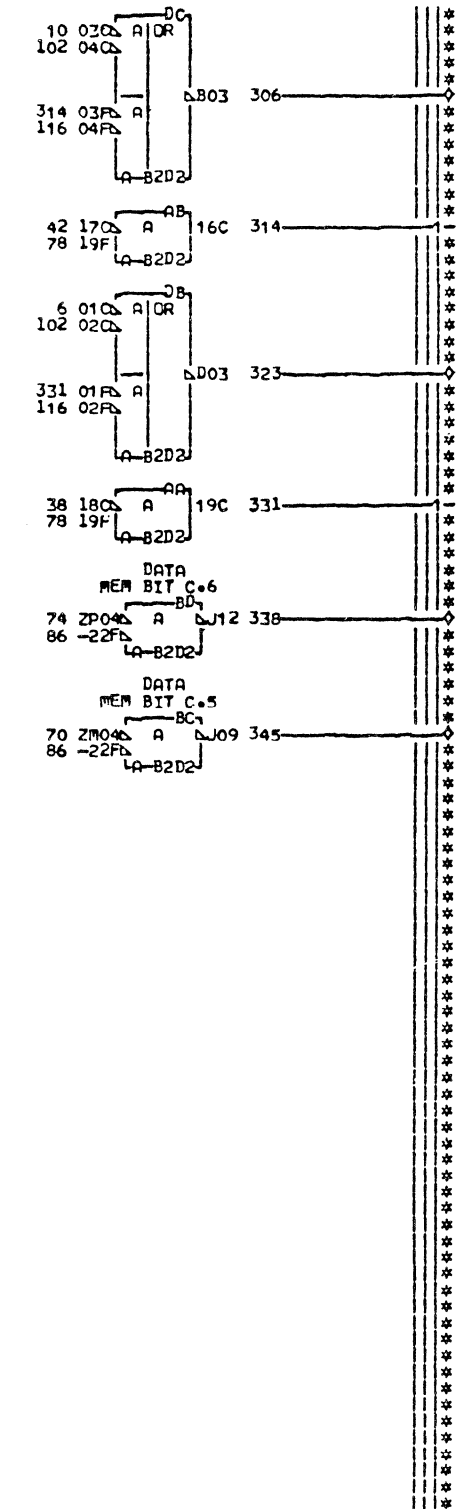
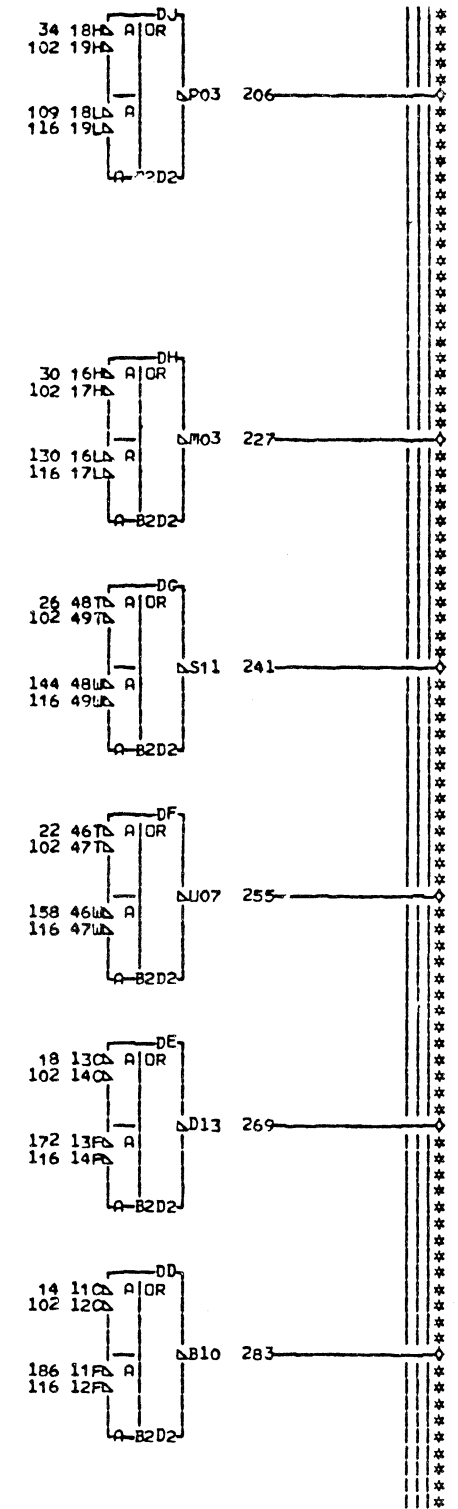
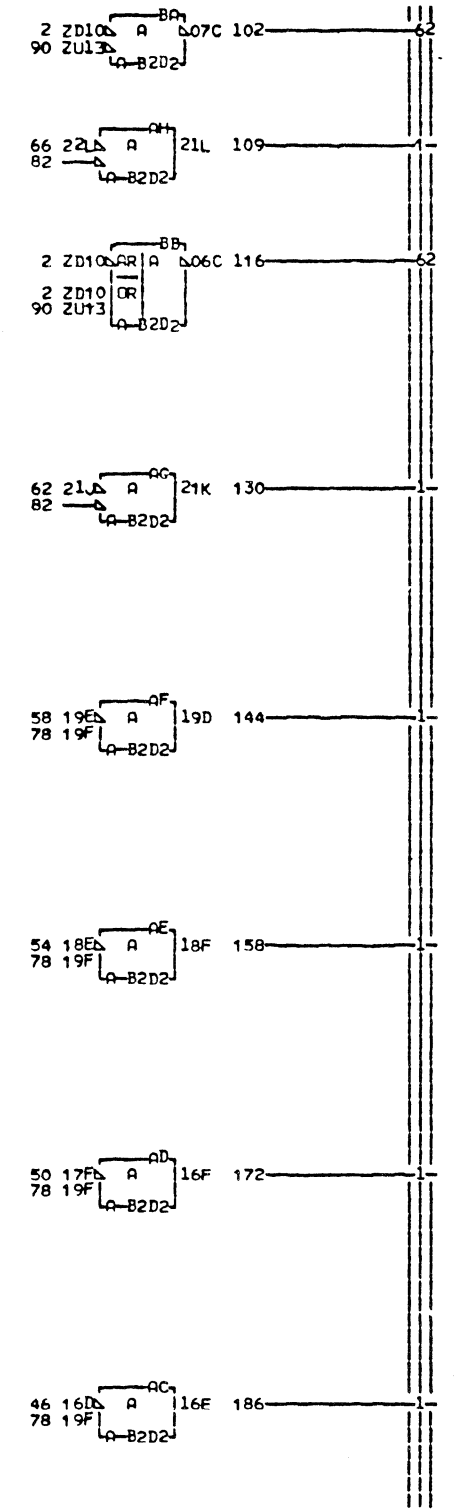
- 000 MM360
- 361 - TIE UP AL2
- MM355 MM356 MM361
- 355 - GATE C BITS TO MEM MM361-CX2
- 340 - DATA MEM BIT 2.7 MM751-DB6
- 323 - DATA MEM BIT 2.6 MM751-DC6
- 306 - DATA MEM BIT 2.5 MM751-DD6
- 283 - DATA MEM BIT 2.4 MM751-DE6
- 269 - DATA MEM BIT 2.3 MM751-DF6
- 255 - DATA MEM BIT 2.2 MM751-DG6
- 241 - DATA MEM BIT 2.1 MM751-DH6
- 229 - DATA MEM BIT 2.0 MM751-DJ6
- 218 - DATA MEM BIT C.3 MM752-DK6
- 204 - DATA MEM BIT C.1 MM752-DL6

MM360
000

LDC. TYPF
A-B2D2 CG01

DATA TO MEM BYTE 2	
E.C. HISTORY	E. MACH. 3705
	FRAME 01
DATE LAST EC	IBM CORP. MM360
08-29-80 344276	P.N. 8550011 000

- MEM STORE NEW TIME TO MEM MM151DH5- 2-3
 - DIAG REG 0.7 MM354EA2- 6
 - DIAG REG 0.6 MM354EB2- 10
 - DIAG REG 0.5 MM354ED2- 14
 - DIAG REG 0.4 MM354EE2- 18
 - DIAG REG 0.3 MM354EG2- 22
 - DIAG REG 0.2 MM354EH2- 26
 - DIAG REG 0.1 MM354EK2- 30
 - DIAG REG 0.0 MM354EN2- 34
 + CORRECT BIT 0.7 MM356EB2- 38
 + CORRECT BIT 0.6 MM356EC2- 42
 + CORRECT BIT 0.5 MM356ED2- 46
 + CORRECT BIT 0.4 MM356EF2- 50
 + CORRECT BIT 0.3 MM356EG2- 54
 + CORRECT BIT 0.2 MM356EH2- 58
 + CORRECT BIT 0.1 MM356EK2- 62
 + CORRECT BIT 0.0 MM356EL2- 66
 - C5 TO MEM MM357CD2- 70
 - C6 TO MEM MM357CF2- 74
 TIE UP MM358FL4- 78-2
 - TIE UP MM360AL2- 82-2
 - GATE C BITS TO MEM MM360CK2- 86-2
 - GATE DIAG REG 0 + 1 TO MEM MM456GL6- 90-2



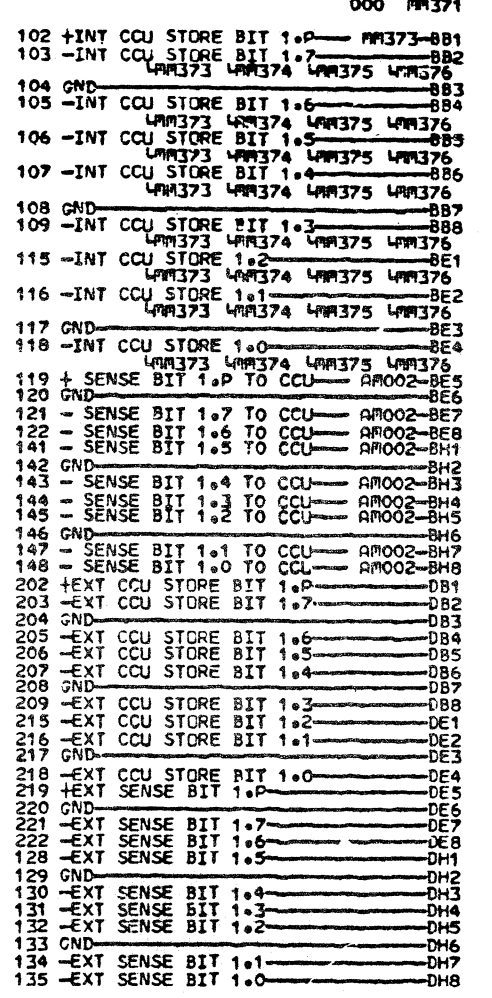
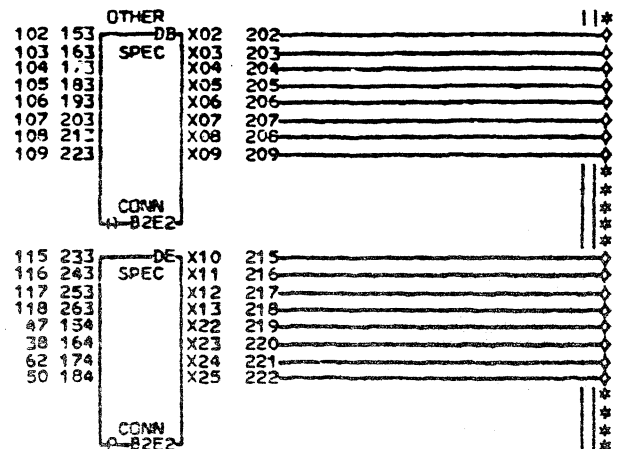
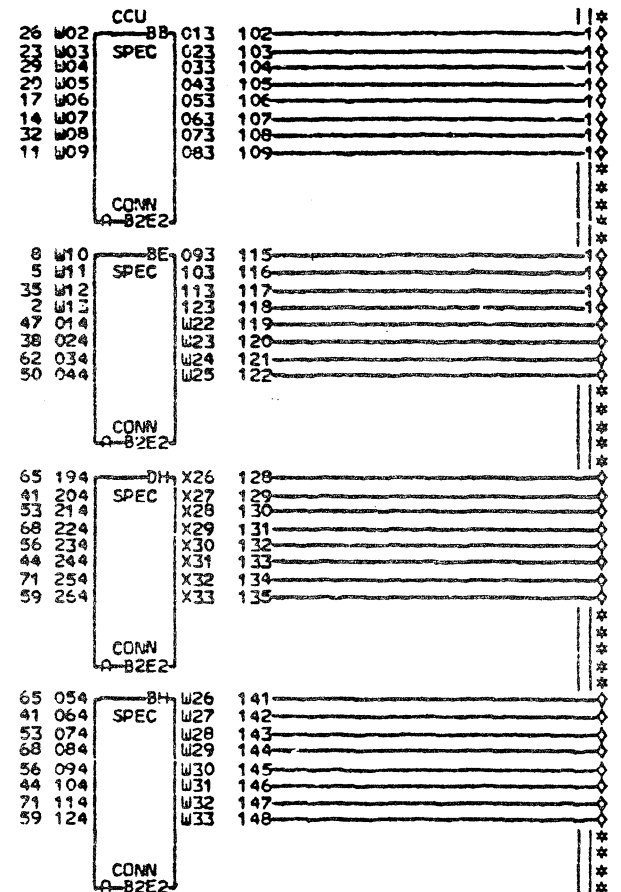
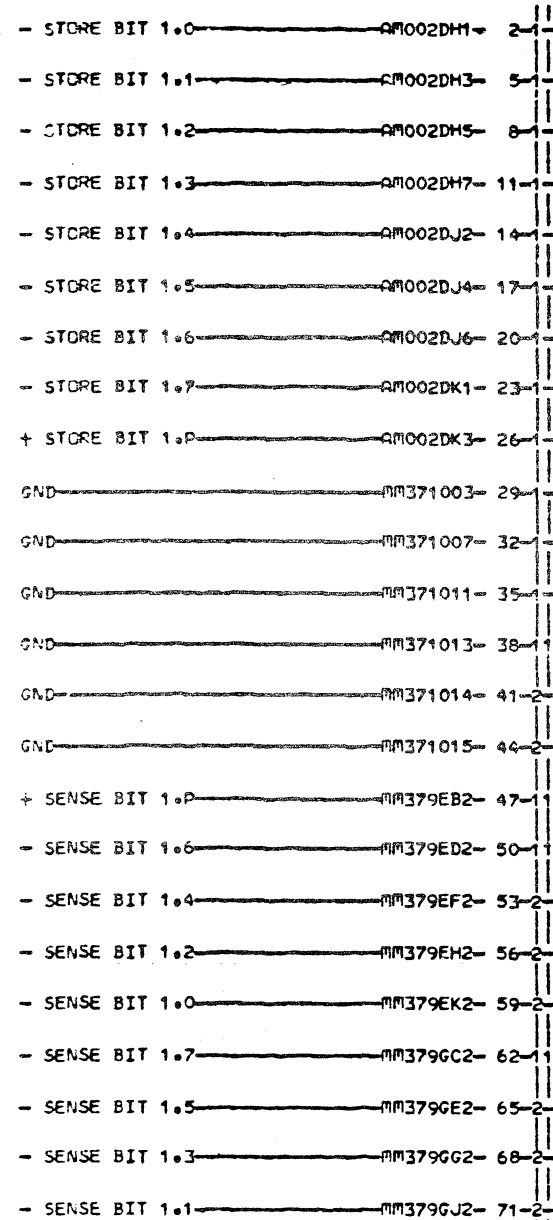
000 MM361

323 - DATA MEM BIT 0.7 MM761-DB6
 306 - DATA MEM BIT 0.6 MM761-DC6
 283 - DATA MEM BIT 0.5 MM761-DD6
 269 - DATA MEM BIT 0.4 MM761-DE6
 255 - DATA MEM BIT 0.3 MM761-DF6
 241 - DATA MEM BIT 0.2 MM761-DG6
 227 - DATA MEM BIT 0.1 MM761-DH6
 206 - DATA MEM BIT 0.0 MM761-DJ6
 345 - DATA MEM BIT C.5 MM762-DK6
 338 - DATA MEM BIT C.6 MM762-DL6

MM361
000

INC. TYPE
A-B2D2 CG01

DATA TO MEM BYTE 0			
E.C.-HISTORY		E.MACH.3705	
	FRAME	01	
DATE	LAST EC	IBM CORP.	MM361
08-29-80	344276	P.N. 8550012	000

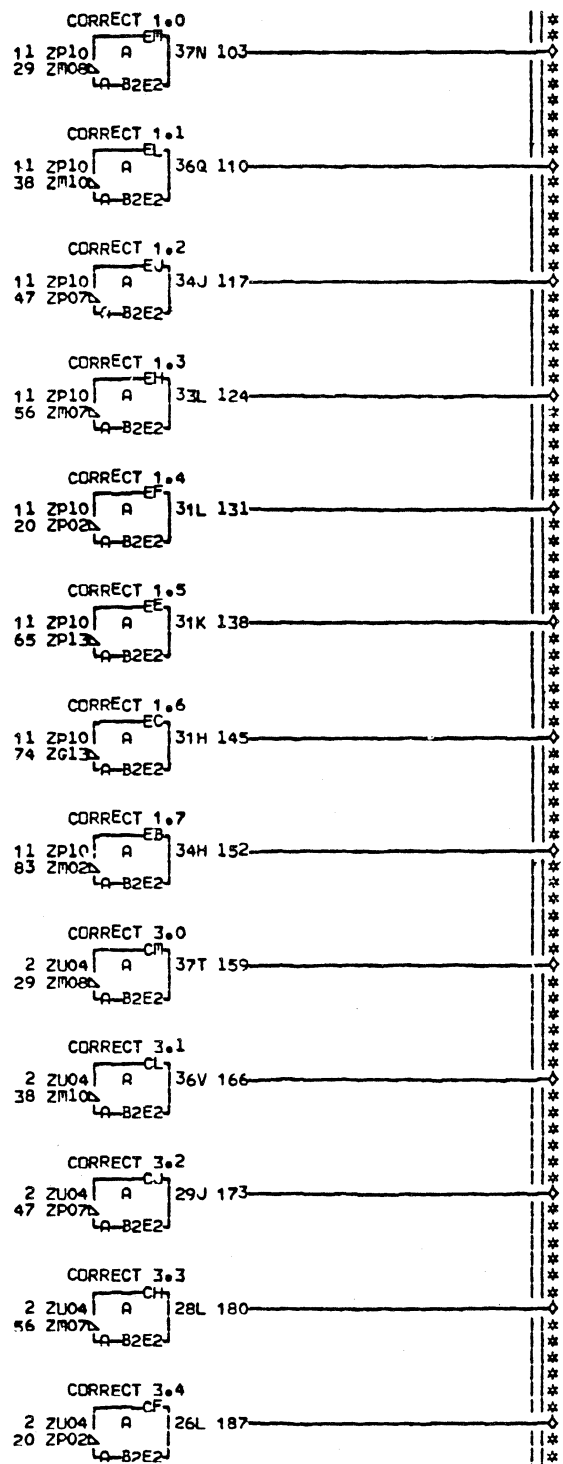


LDC. TYPE
A-B2E2 CG01

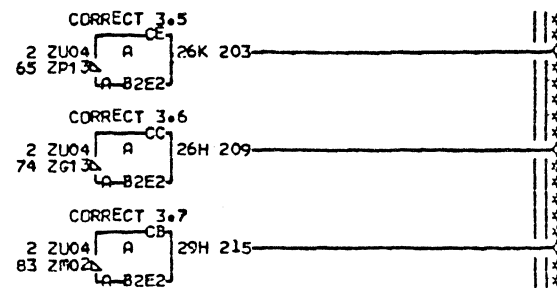
AM371
000

STORE SENSE TCC	
BYTE 1	
E.C. HISTORY	E. MACH. 3705
344276	
DATE LAST EC	IBP CORP. SCD
10-14-80 344270	P.No. 8550013
	000

+ BYTE 3 OR FORCE ERR MM378CF4- 2-53
 + BYTE 1 OR FORCE ERR MM378CG4- 11-8
 - BIT 4 ERR MM461EB0- 20-2
 - BIT 0 ERR MM461EB4- 29-2
 - BIT 1 ERR MM461EB5- 38-2
 - BIT 2 ERR MM461EB7- 47-2
 - BIT 3 ERR MM461EH3- 56-2
 - BIT 5 ERR MM461EH6- 65-1
 - BIT 6 ERR MM461EH8- 74-1
 - BIT 7 ERR MM461EH9- 83-1



1 DC TYPE
 A-B2E2 C601



000 MM372
 215 + CORRECT 3.7 MM375-CB2
 209 + CORRECT 3.6 MM375-CC2
 203 + CORRECT 3.5 MM375-CE2
 187 + CORRECT 3.4 MM375-CF2
 180 + CORRECT 3.3 MM375-CH2
 173 + CORRECT 3.2 MM375-CJ2
 166 + CORRECT 3.1 MM375-CL2
 159 + CORRECT 3.0 MM375-CM2
 152 + CORRECT 1.7 MM376-EB2
 145 + CORRECT 1.6 MM376-EC2
 138 + CORRECT 1.5 MM376-EE2
 131 + CORRECT 1.4 MM376-EF2
 124 + CORRECT 1.3 MM376-EH2
 117 + CORRECT 1.2 MM376-EJ2
 110 + CORRECT 1.1 MM376-EL2
 103 + CORRECT 1.0 MM376-EM2

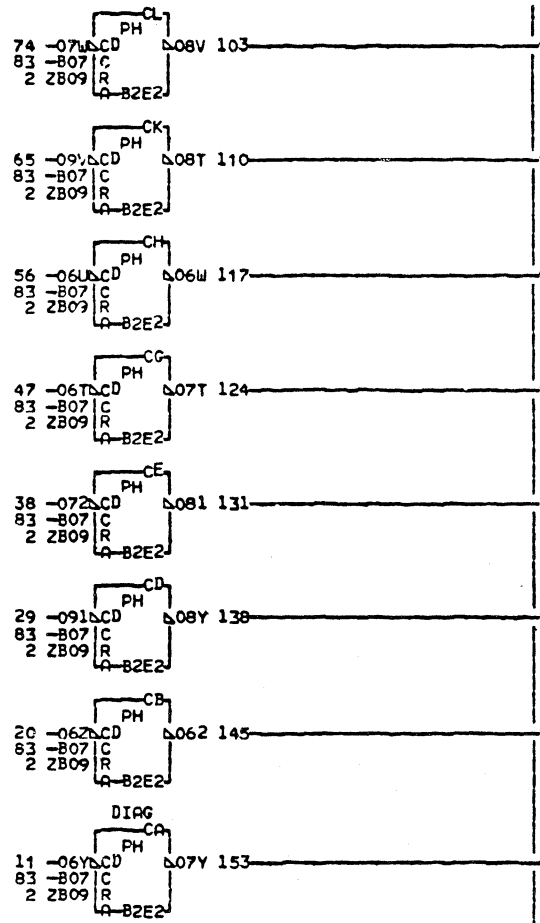
MM372
 000

ECC BIT COR 1.3	
E.C. HISTORY	E. MACH. 3705
DATE LAST EC	FRAME 01
08-29-80 344276	IBA CORP. MM372
	P.N. 8550014 000

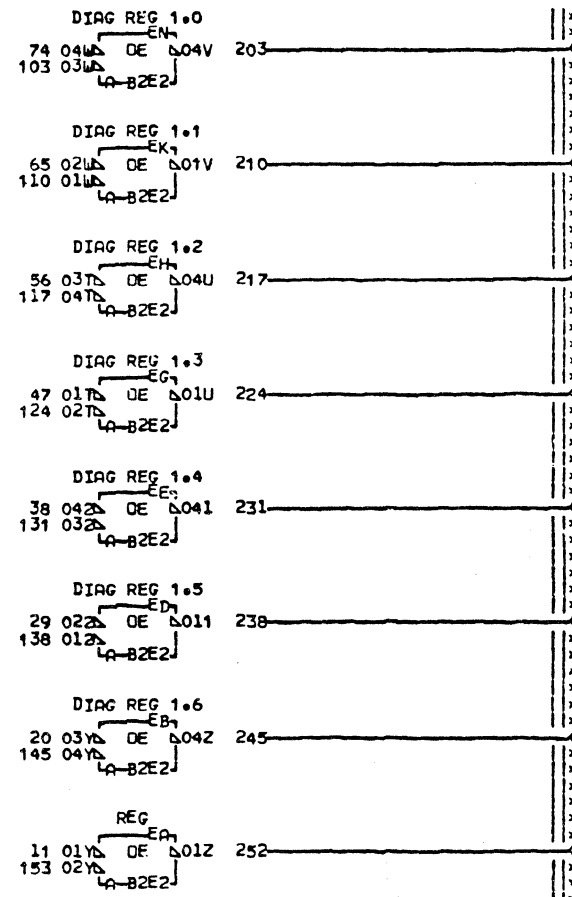

```

+ RESET MEM DIAG REG MM151DC2 2-9
-INT CCU STORE BIT 1.7 MM371BB2 11-1
-INT CCU STORE BIT 1.6 MM371BB4 20-1
-INT CCU STORE BIT 1.5 MM371BB5 29-1
-INT CCU STORE BIT 1.4 MM371BB6 38-1
-INT CCU STORE BIT 1.3 MM371BB8 47-1
-INT CCU STORE 1.2 MM371BE1 56-1
-INT CCU STORE 1.1 MM371BE2 65-1
-INT CCU STORE 1.0 MM371BE4 74-1
+ SET DIAG REG MM456EL2 83-8

```



LOC. TYPE
A-B2E2 CG01



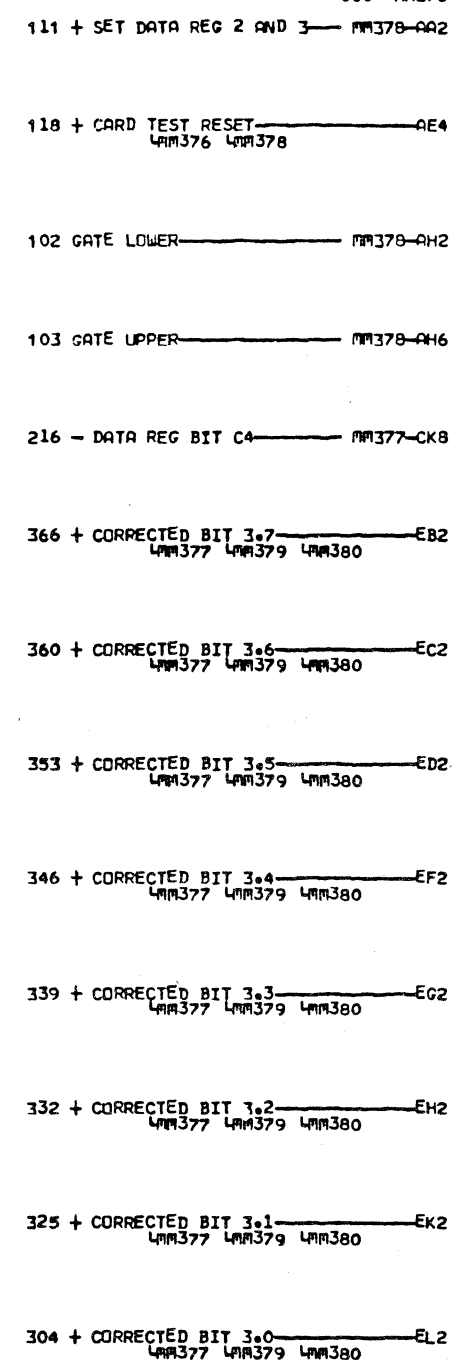
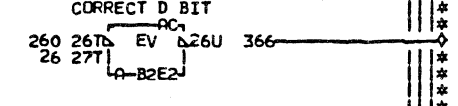
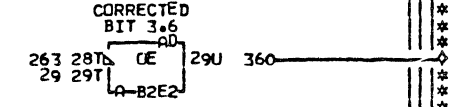
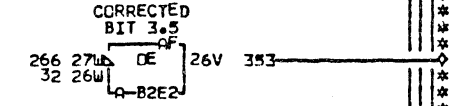
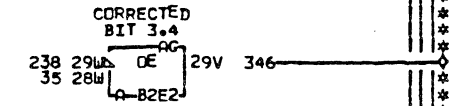
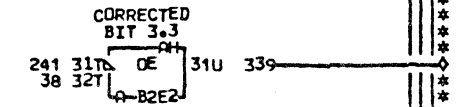
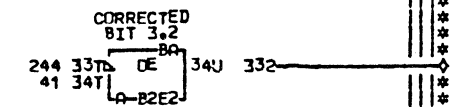
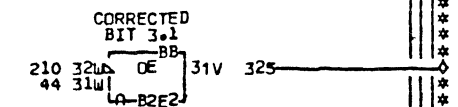
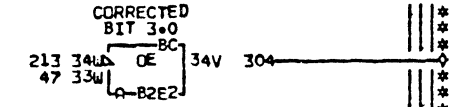
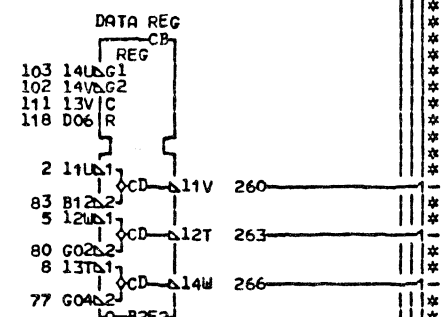
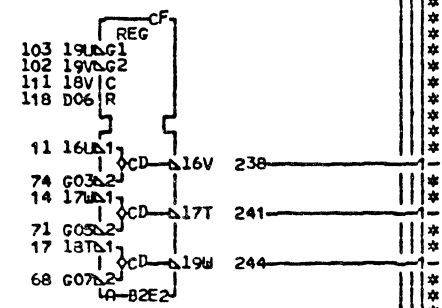
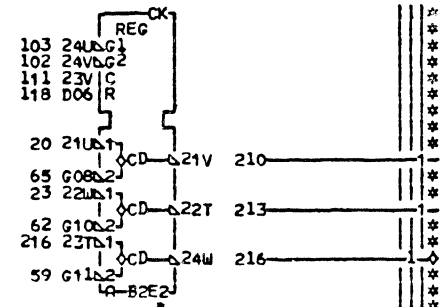
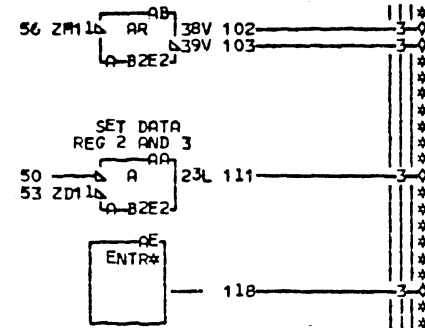
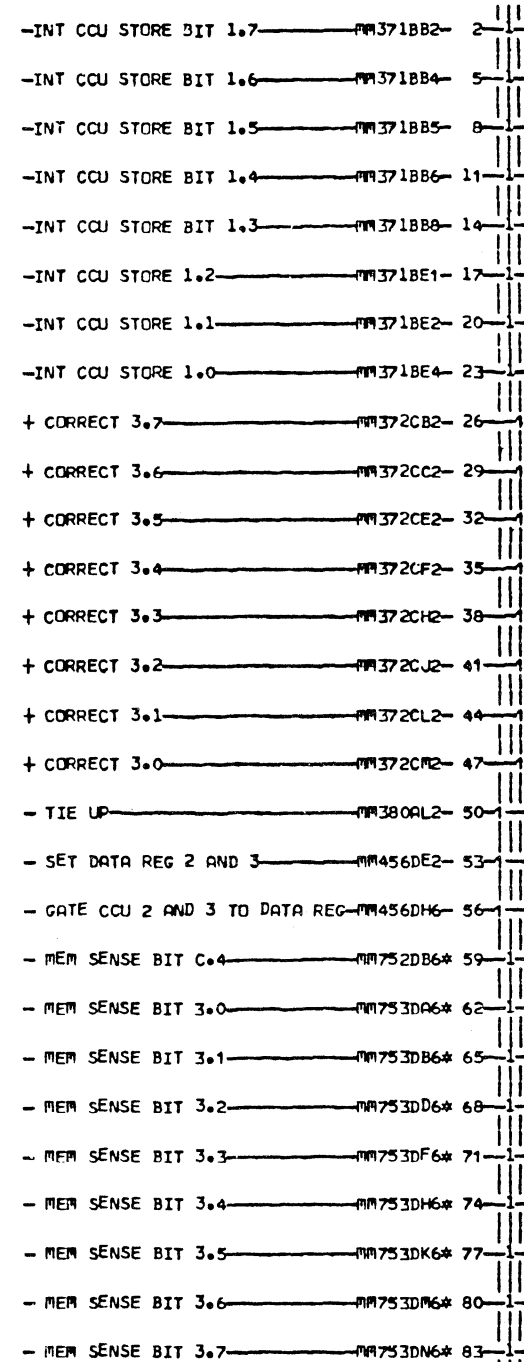
```

000 MM374
252 - DIAG REG 1.7 EA2
245 - DIAG REG 1.6 EB2
238 - DIAG REG 1.5 ED2
231 - DIAG REG 1.4 EE2
224 - DIAG REG 1.3 EG2
217 - DIAG REG 1.2 EH2
210 - DIAG REG 1.1 EK2
203 - DIAG REG 1.0 EN2

```

MM374
000

DIAG REG BYTE 1-3	
E.C. HISTORY	E. MACH. 3705
DATE	LAST EC
08-29-80	344276
FRAME	01
IBM CORP.	MM374
P.N. 8550016	000



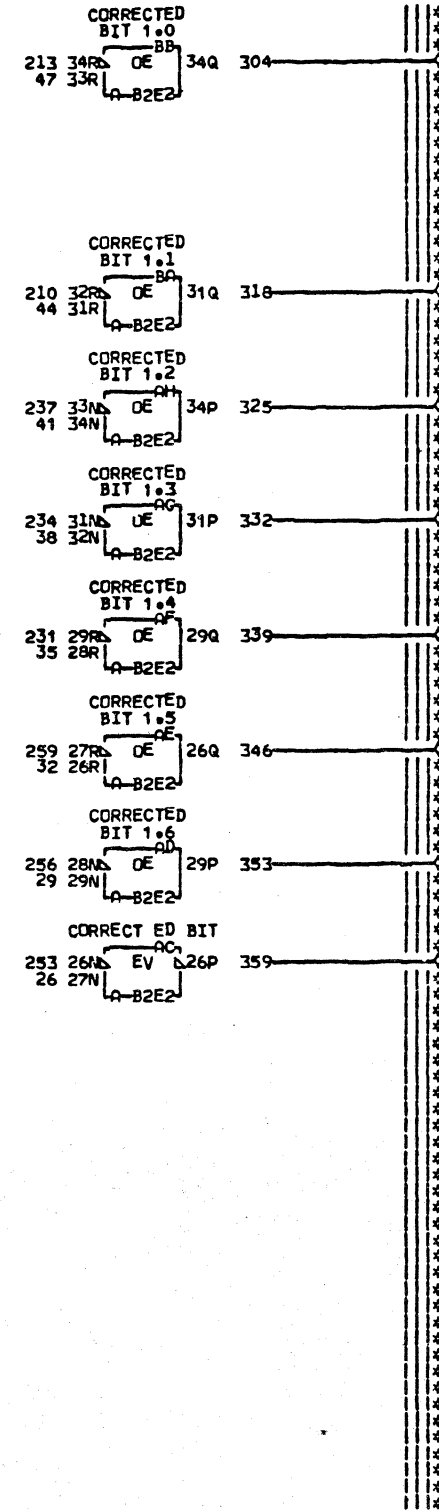
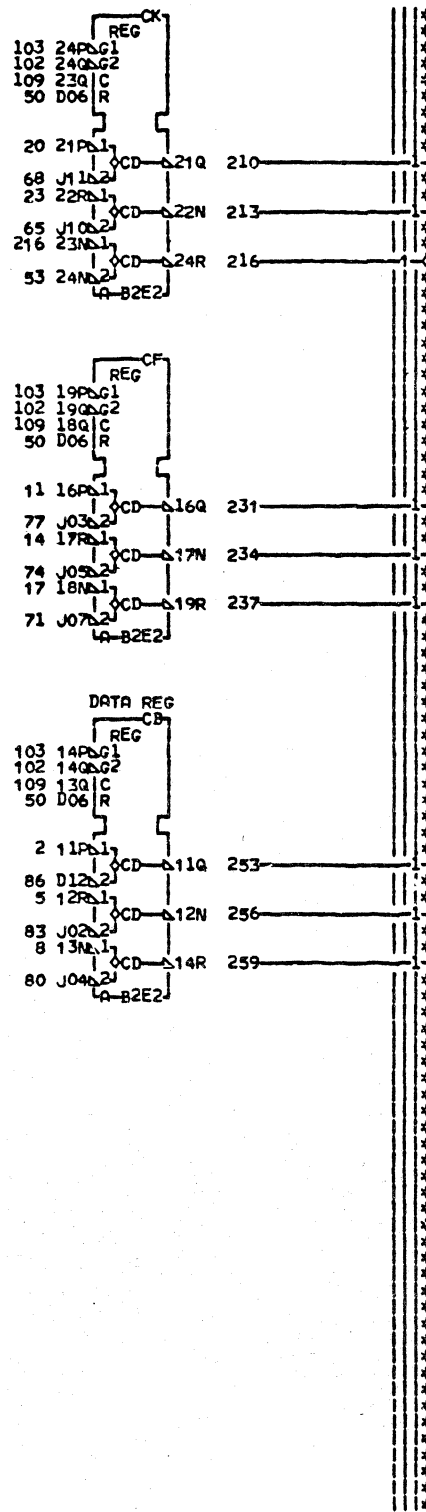
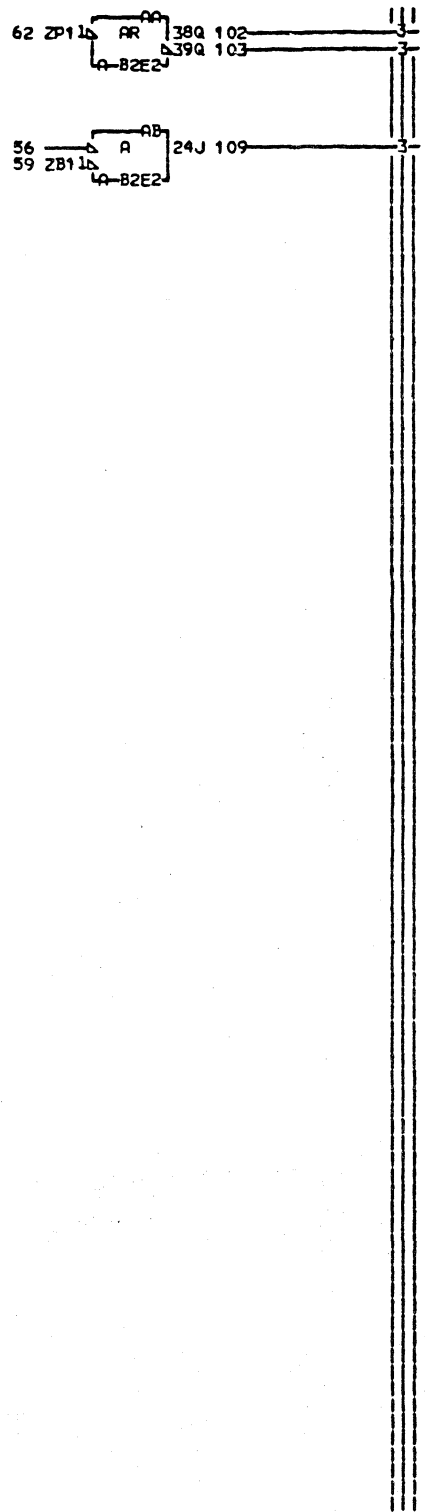
59 RESISTOR A-B2E2G05	74 RESISTOR A-B2E2G03
62 RESISTOR A-B2E2G11	77 RESISTOR A-B2E2G04
65 RESISTOR A-B2E2G10	80 RESISTOR A-B2E2G02
68 RESISTOR A-B2E2G08	83 RESISTOR A-B2E2B12
71 RESISTOR A-B2E2G07	

10C. TYPE
A-B2E2 CG01

MM375
000

DATA AND COR BYTF 3	
E.C. HISTORY	E. MACH. 3705
DATE LAST EC	FRAME 01
08-29-80 344276	IBM CORP. MM375
	P.N. 8550017 000

-INT CCU STORE BIT 1.7 MM371BB2 2
 -INT CCU STORE BIT 1.6 MM371BB4 5
 -INT CCU STORE BIT 1.5 MM371BB5 8
 -INT CCU STORE BIT 1.4 MM371BB6 11
 -INT CCU STORE BIT 1.3 MM371BB8 14
 -INT CCU STORE 1.2 MM371BE1 17
 -INT CCU STORE 1.1 MM371BE2 20
 -INT CCU STORE 1.0 MM371BE4 23
 + CORRECT 1.7 MM372EB2 26
 + CORRECT 1.6 MM372EC2 29
 + CORRECT 1.5 MM372EE2 32
 + CORRECT 1.4 MM372EF2 35
 + CORRECT 1.3 MM372EH2 38
 + CORRECT 1.2 MM372EJ2 41
 + CORRECT 1.1 MM372EL2 44
 + CORRECT 1.0 MM372EM2 47
 + CARD TEST RESET MM375AE4 50
 SPARE MM376011 53
 - TIE UP MM380AL2 56
 - SET DATA REG 0 AND 1 MM456DF2 59
 - GATE CCU 0 AND 1 TO DATA REG MM456DJ6 62
 - MEM SENSE BIT 1.0 MM763DA6* 65
 - MEM SENSE BIT 1.1 MM763DB6* 68
 - MEM SENSE BIT 1.2 MM763DD6* 71
 - MEM SENSE BIT 1.3 MM763DF6* 74
 - MEM SENSE BIT 1.4 MM763DH6* 77
 - MEM SENSE BIT 1.5 MM763DK6* 80
 - MEM SENSE BIT 1.6 MM763DP6* 83
 - MEM SENSE BIT 1.7 MM763DN6* 86



000 MM376

216 SPARE CK8
 359 + CORRECTED BIT 1.7 EB2
 353 + CORRECTED BIT 1.6 EC2
 346 + CORRECTED BIT 1.5 ED2
 339 + CORRECTED BIT 1.4 EF2
 332 + CORRECTED BIT 1.3 EG2
 325 + CORRECTED BIT 1.2 EH2
 318 + CORRECTED BIT 1.1 EK2
 304 + CORRECTED BIT 1.0 EL2

EDGE CONN.
 65 RESISTOR A-B2E2J03
 71 RESISTOR A-B2E2J10
 68 RESISTOR A-B2E2J11
 74 RESISTOR A-B2E2J07
 77 RESISTOR A-B2E2J05
 80 RESISTOR A-B2E2J04
 83 RESISTOR A-B2E2J02
 86 RESISTOR A-B2E2D12

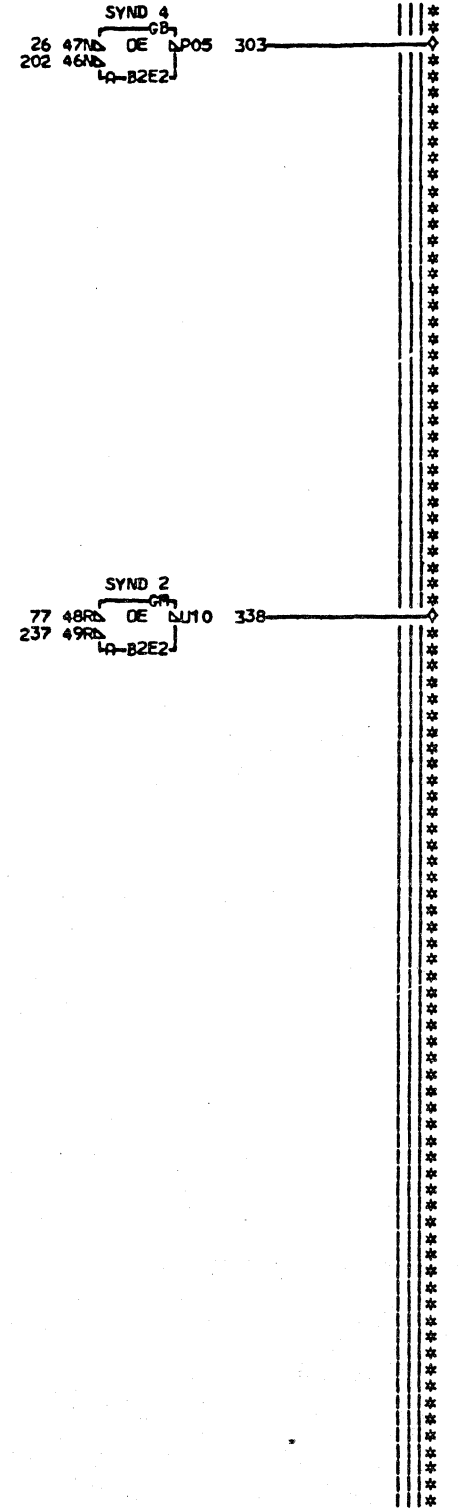
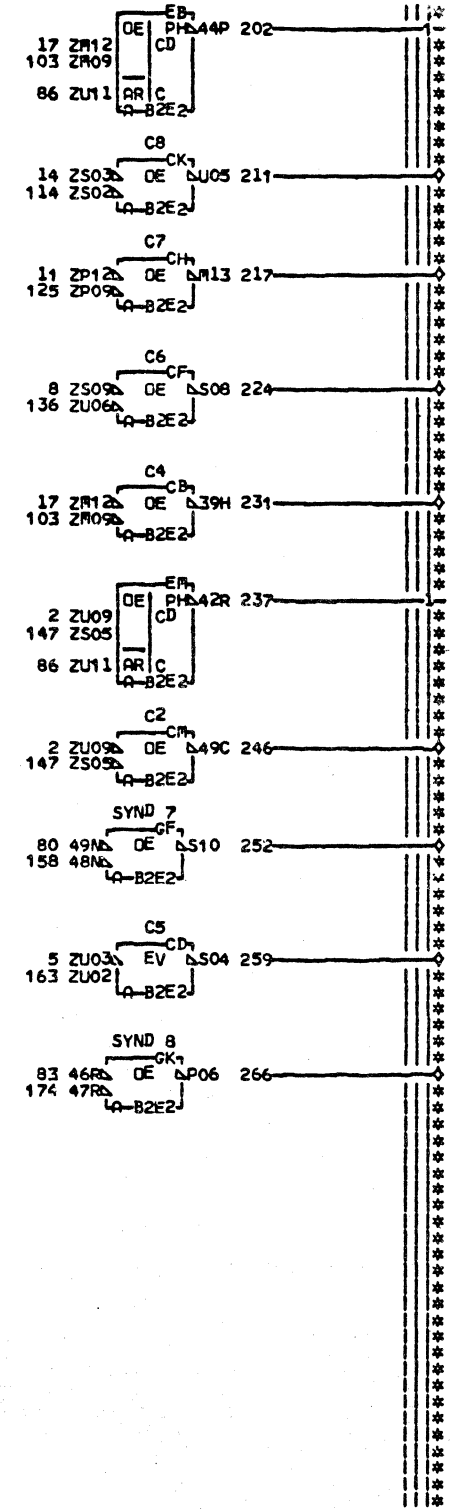
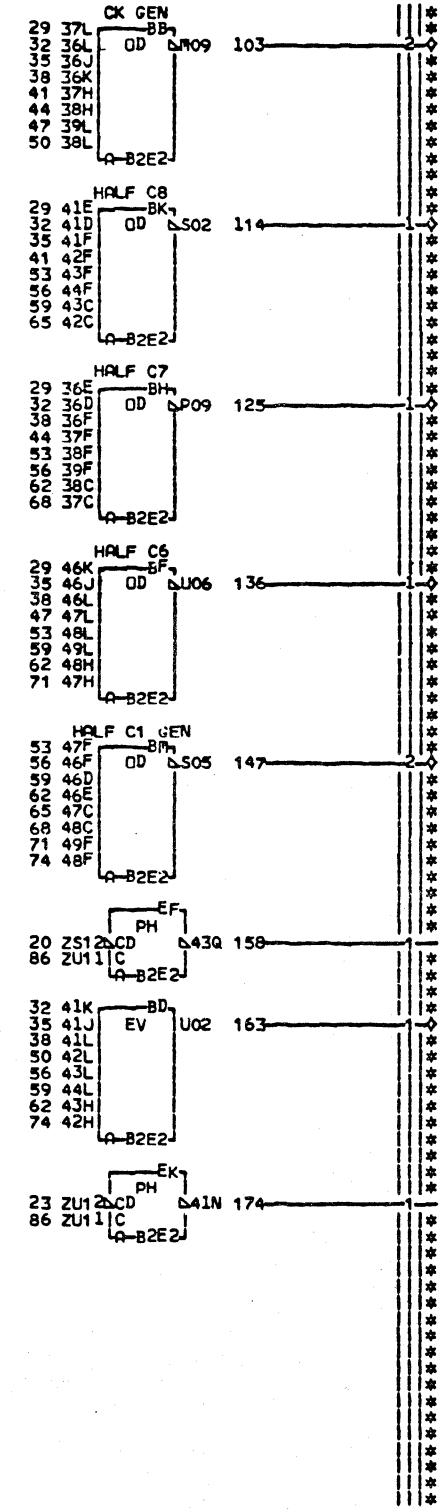
LOC. TYPE
 A-B2E2 C601

MM376
000

DATA AND COR BYTE 1			
E.C. HISTORY		E. MACH. 3705	
		FRAME	01
DATE		IBM CORP.	MM376
08-29-80 344276		P.N. 8550018	000

MM377
000

- HALF C3 GEN MM357BB4- 2-1
 - HALF C5 MM357BD4- 5-1
 - HALF C6 MM357BF4- 8-1
 - HALF C7 MM357BH4- 11-1
 - HALF C8 MM357BK4- 14-1
 - HALF C1 GEN MM357BM4- 17-2
 - C7 TO MEM MM357CH2- 20-1
 - C8 TO MEM MM357CK2- 23-1
 - DATA REG BIT C4 MM375CK8- 26-1
 + CORRECTED BIT 3.7 MM375EB2- 29-4
 + CORRECTED BIT 3.6 MM375EC2- 32-4
 + CORRECTED BIT 3.5 MM375ED2- 35-4
 + CORRECTED BIT 3.4 MM375EF2- 38-4
 + CORRECTED BIT 3.3 MM375EG2- 41-2
 + CORRECTED BIT 3.2 MM375EH2- 44-2
 + CORRECTED BIT 3.1 MM375EK2- 47-2
 + CORRECTED BIT 3.0 MM375EL2- 50-2
 + CORRECTED BIT 1.7 MM376EB2- 53-4
 + CORRECTED BIT 1.6 MM376EC2- 56-4
 + CORRECTED BIT 1.5 MM376ED2- 59-4
 + CORRECTED BIT 1.4 MM376EF2- 62-4
 + CORRECTED BIT 1.3 MM376EG2- 65-2
 + CORRECTED BIT 1.2 MM376EH2- 68-2
 + CORRECTED BIT 1.1 MM376EK2- 71-2
 + CORRECTED BIT 1.0 MM376EL2- 74-2
 - DATA REG BIT C.2 MM378BB2- 77-1
 - DATA REG BIT C.7 MM378BB5- 80-1
 - DATA REG BIT C.8 MM378BB8- 83-1
 + SET CCU PARITY AND DQDRM REG MM455BB2- 86-2



000 MM377

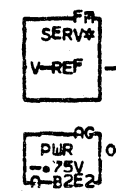
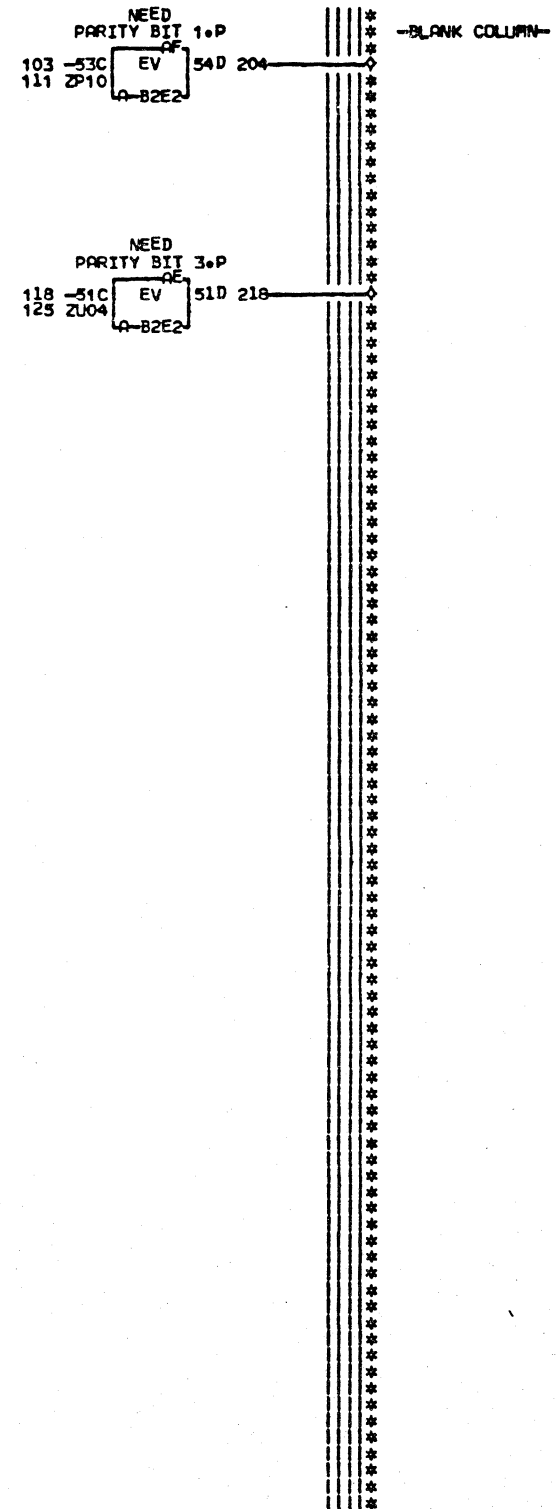
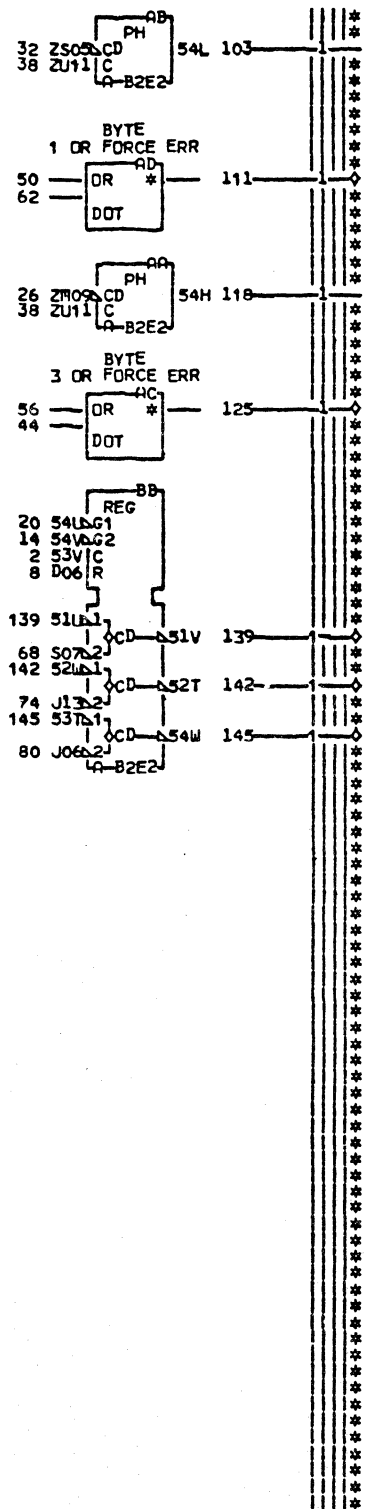
103 - HALF C5 MM357BB4- BB4
 163 HALF C5 MM357BD4-
 136 - HALF C6 MM357BF4-
 125 - HALF C7 MM357BH4-
 114 - HALF C8 MM357BK4-
 147 - HALF C1 GEN MM357BM4- BM4
 231 - C4 TO MEM MM380-CB2
 259 - C5 TO MEM MM357-CD2
 224 - C6 TO MEM MM357-CF2
 217 - C7 TO MEM MM381-CH2
 211 - C8 TO MEM MM381-CK2
 246 - C2 TO MEM MM380-CM2
 303 - SYND 4 MM4461 MM4462- GB2
 252 - SYND 7 MM4461 MM4462- GF2
 266 - SYND 8 MM4461 MM4462- GK2
 338 - SYND 2 MM4461 MM4462- GM2

LOC. TYPE
A-B2E2 CG01

ECC CK AND SYND GEN

-E.C.-HISTORY-E.MACH.3705
 FRAME 01
 DATE LAST EC 08-29-80 344276
 IBM CORP. P.N. 8550019
 MM377 000

+ SET DATA REG 2 AND 3 — MM375AR2 — 2
 + CARD TEST RESET — MM375AE4 — 8
 GATE LOWER — MM375AH2 — 14
 GATE UPPER — MM375AH6 — 20
 - HALF C5 — MM377BB4 — 26
 - HALF C1 GEN — MM377BA4 — 32
 + SET CCU PARITY AND LOAD REM REQ — MM455BB2 — 38
 + BYTE 3 ERROR — MM461CD2 — 44
 + BYTE 1 ERR — MM461CH2 — 50
 + FORCE CCU ERROR 3 — MM463GE2 — 56
 + FORCE CCU ERROR 1 — MM463GH2 — 62
 - MEM SENSE BIT C.2 — MM752DF6* — 68
 - MEM SENSE BIT C.7 — MM762DD6* — 74
 - MEM SENSE BIT C.8 — MM762DF6* — 80



000 MM378

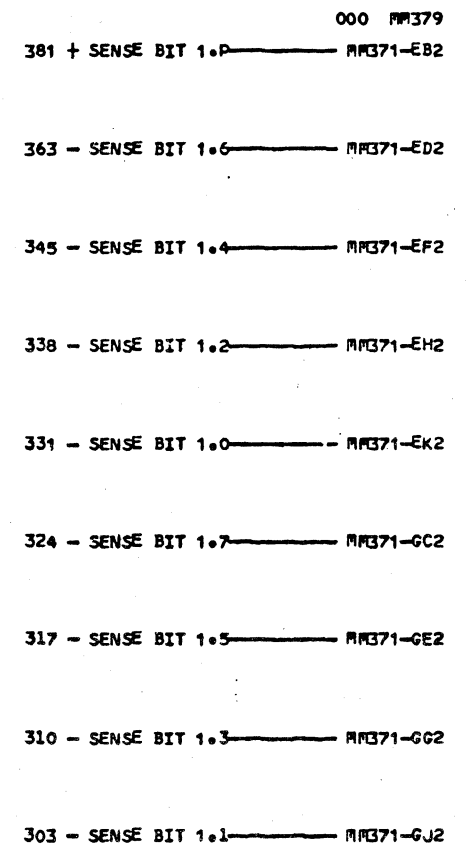
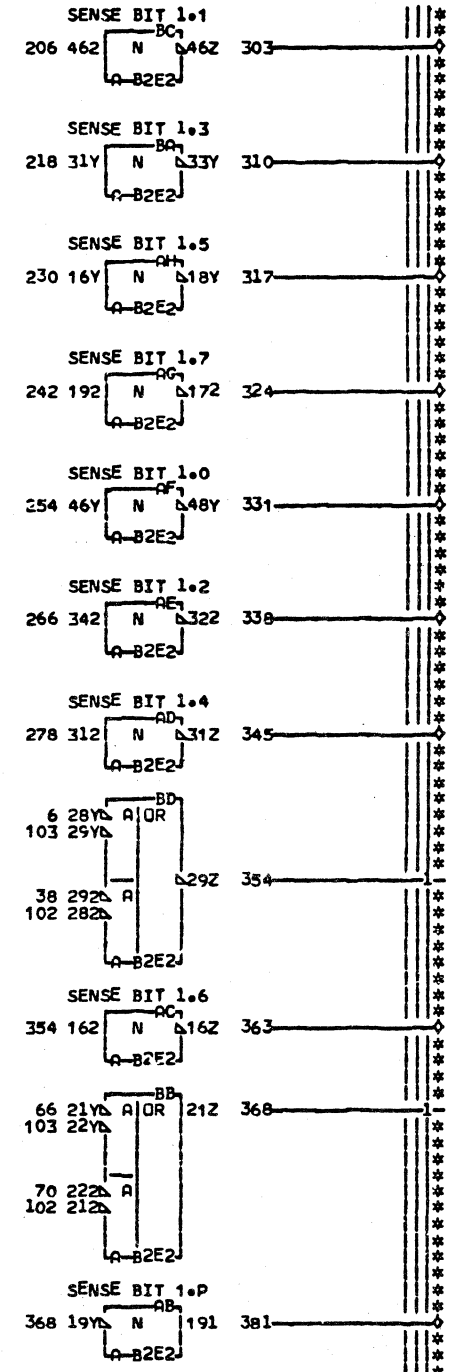
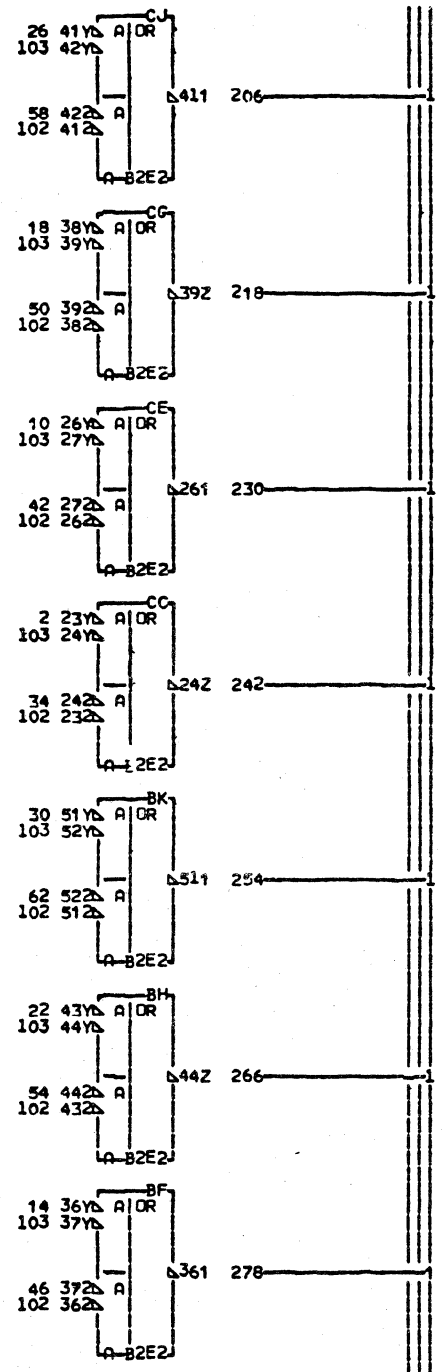
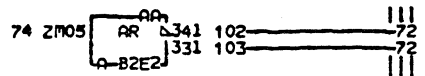
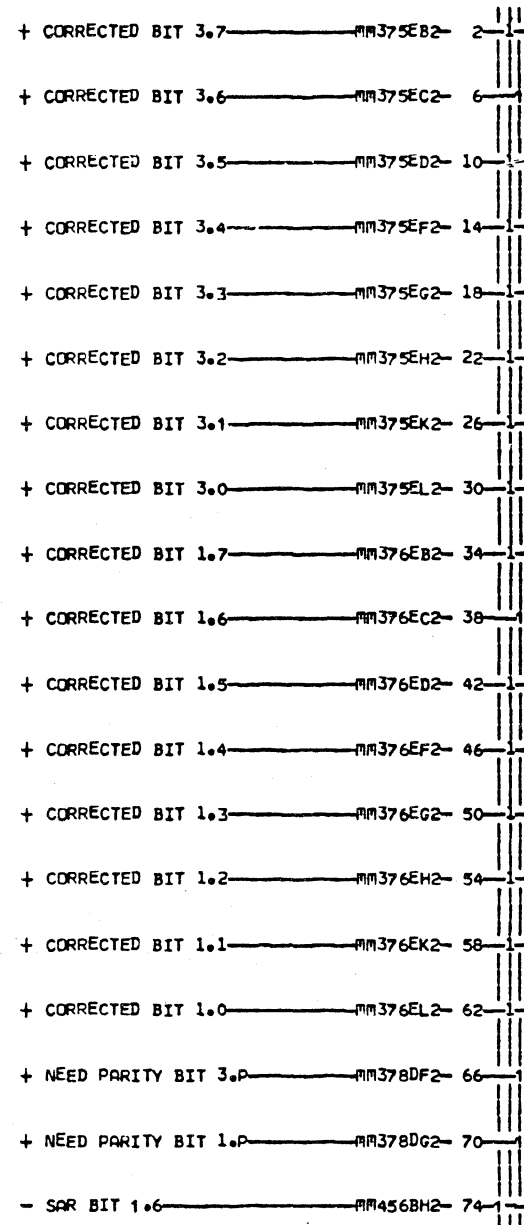
139 - DATA REG BIT C.2 — MM377-BB2
 142 - DATA REG BIT C.7 — MM377-BB5
 145 - DATA REG BIT C.8 — MM377-BB8
 125 + BYTE 3 OR FORCE ERR — MM372-CF4
 111 + BYTE 1 OR FORCE ERR — MM372-CG4
 218 + NEED PARITY BIT 3-P — MM379-DF2
 204 + NEED PARITY BIT 1-P — MM379-DG2
 444 TIE UP — MM380 MM381 — FL4
 439 V-REF — FM4

EDGE CONN.
 68 RESISTOR
 A-B2E2S07
 74 RESISTOR
 A-B2E2J13
 80 RESISTOR
 A-B2E2J06

LOC. TYPE
 A-B2E2 CG01

MM378
 000

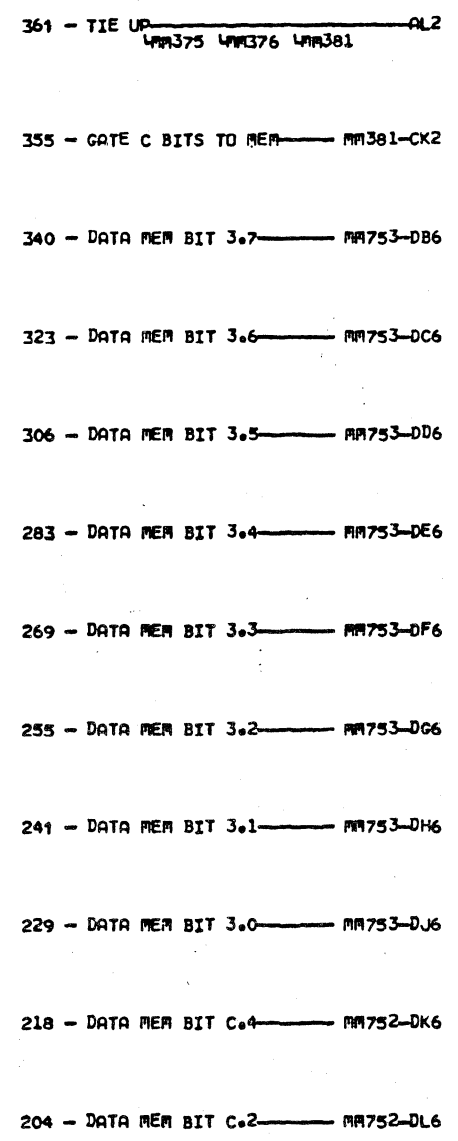
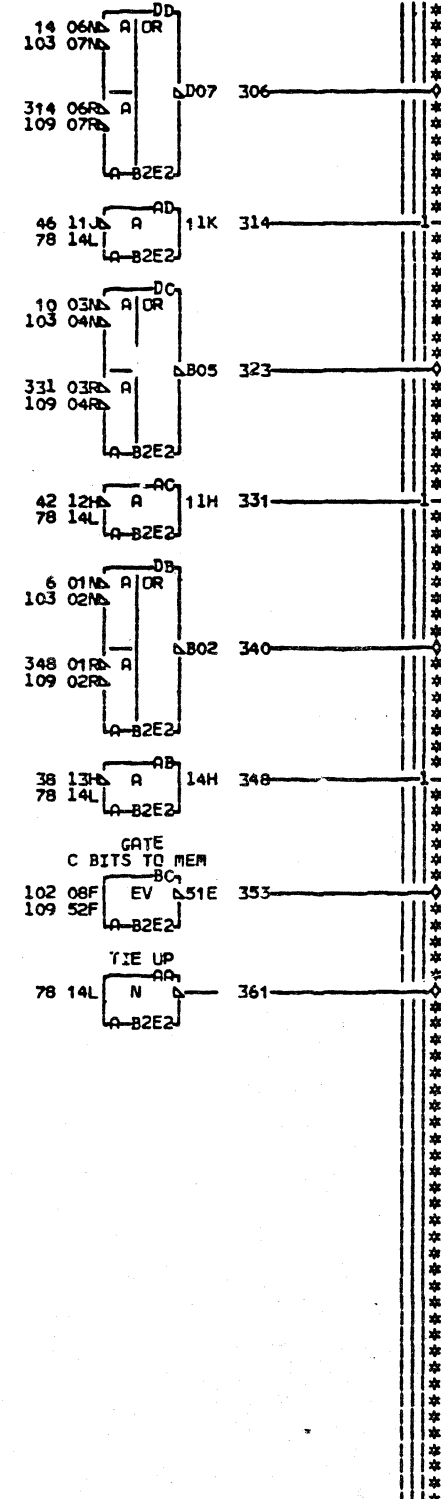
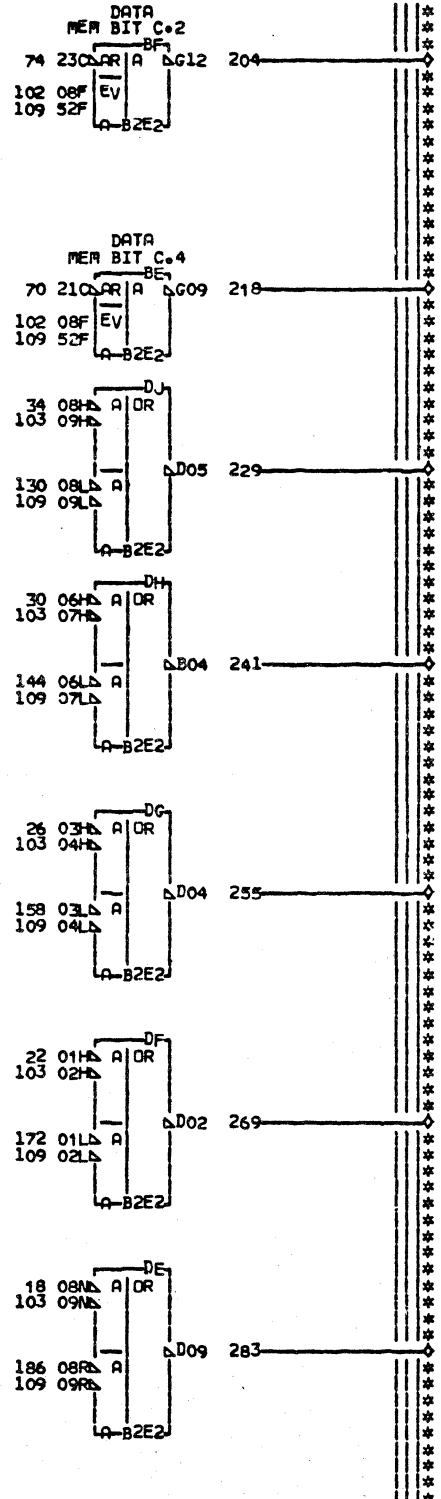
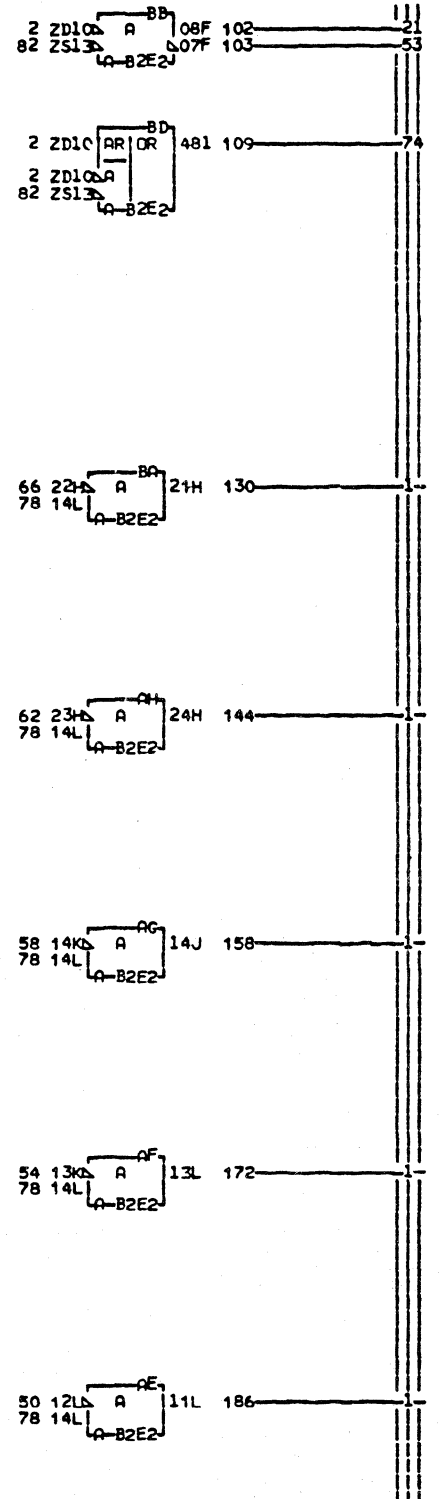
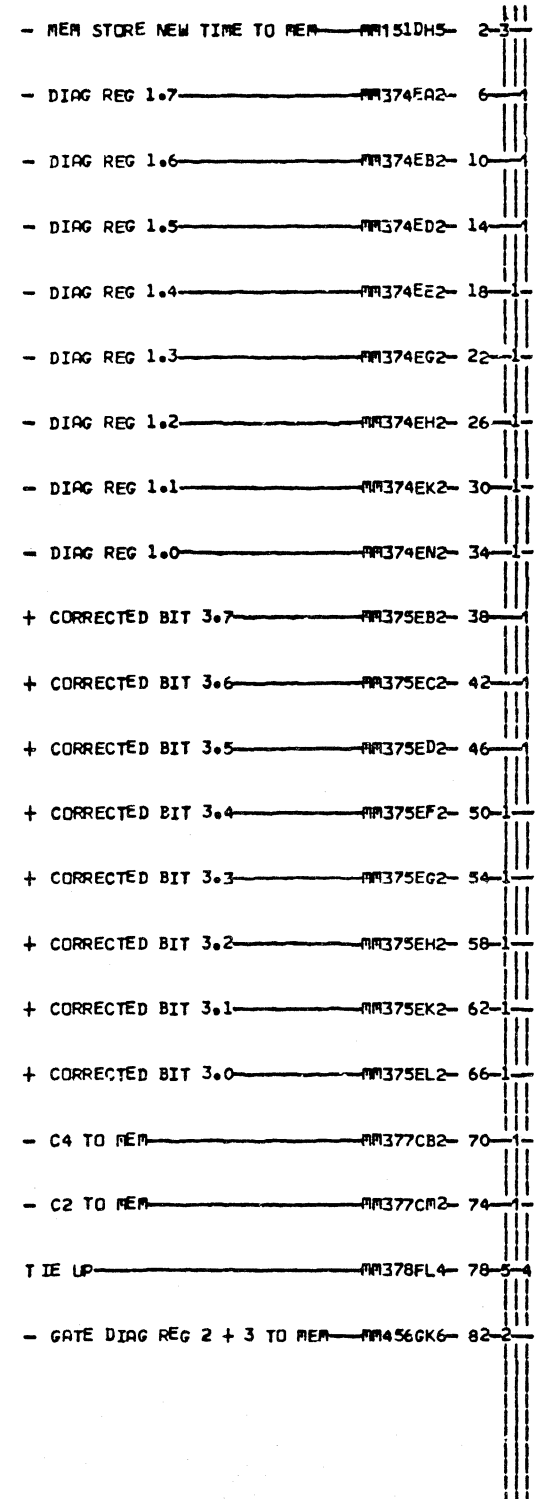
CCU PARITY GEN 1 AND 3	
E.C.-HISTORY	E.MACH.3705
DATE	LAST EC
08-29-80	344276
FRAME	01
IBM CORP.	MM378
P.N. 8550020	000



LOC. TYPE
A-B2E2 Ccn1

MM379
000

CCU SENSE BYTE 1	
E.C. HISTORY	FRACH. 3705
DATE LAST EC	IBR CORP. MM379
08-29-80 344275	P.N. 8550021 000

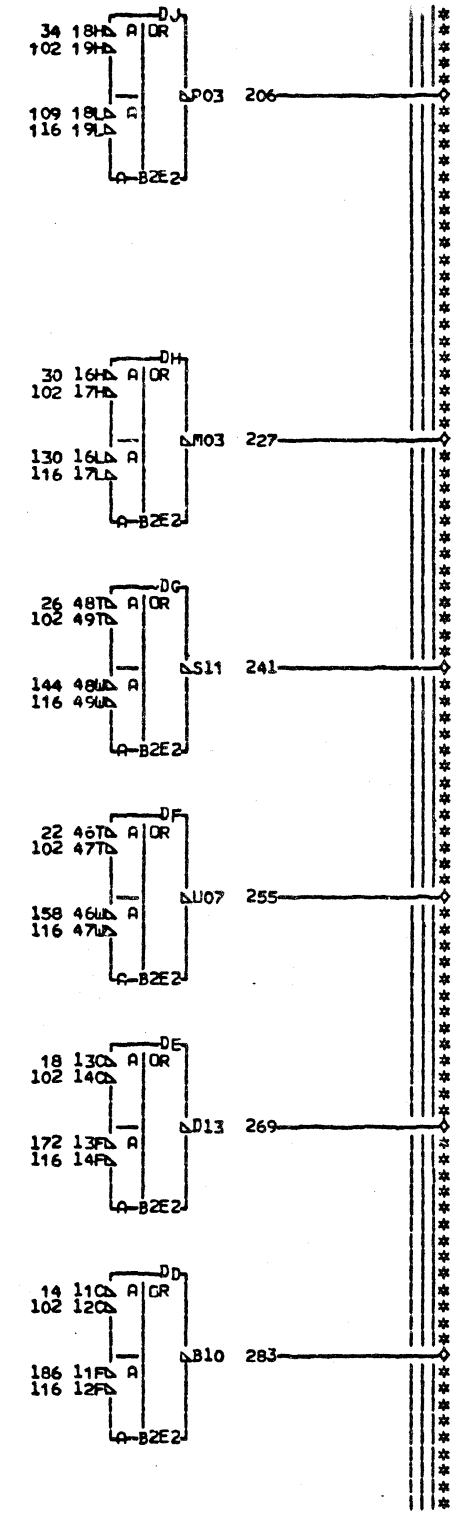
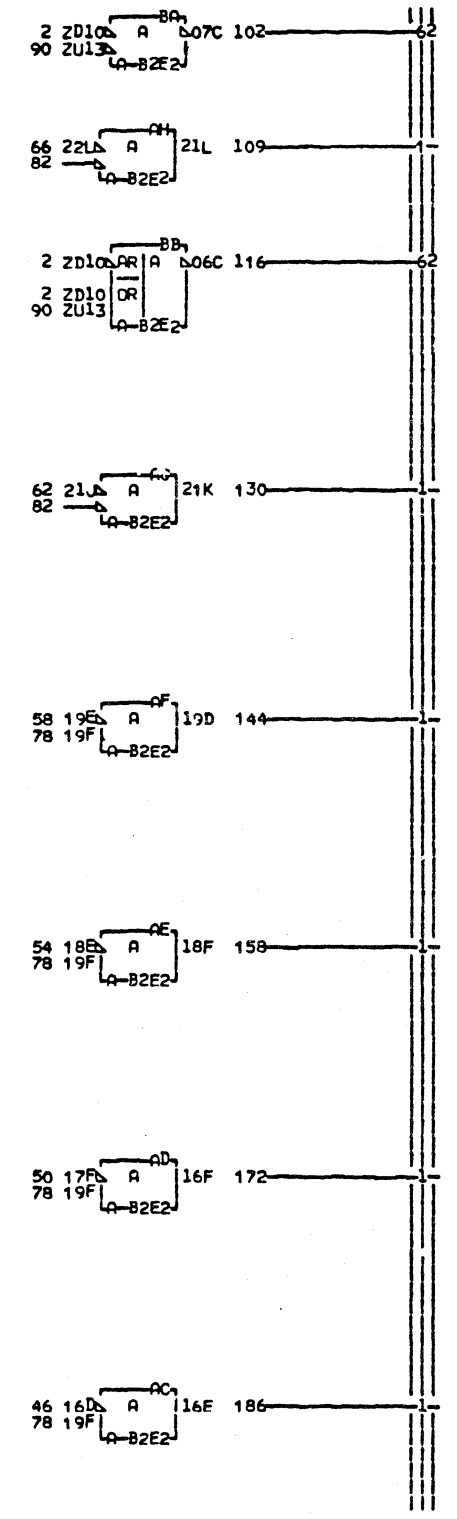


LDC. TYPE A-B2E2 CG01

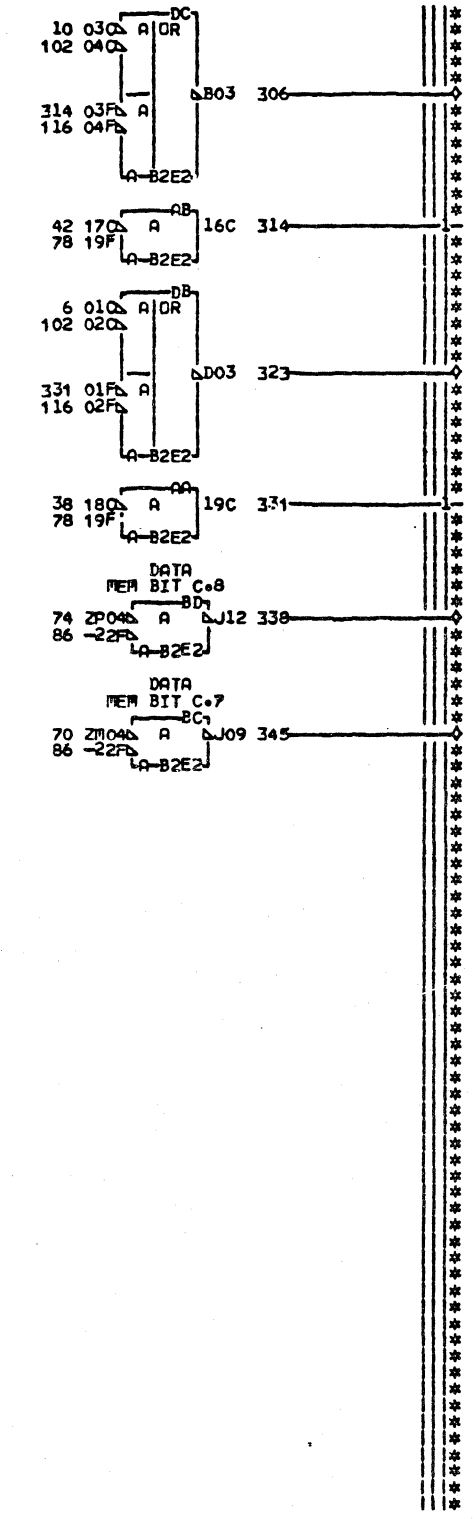
DATA TO MEM BYTE 3			
E.C.-HISTORY	E.MACH.3705		
	FRAME	01	
DATE	LAST EC	IBR CORP.	MM380
08-29-80	344276	P.O.N. 8550022	000

MM380
000

- MEM STORE NEW TIME TO MEM MM151DH5- 2-1
 - DIAG REG 1.7 MM374EH2- 6-1
 - DIAG REG 1.5 MM374EB2- 10-1
 - DIAG REG 1.5 MM374ED2- 14-1
 - DIAG REG 1.4 MM374EE2- 18-1
 - DIAG REG 1.3 MM374EG2- 22-1
 - DIAG REG 1.2 MM374EH2- 26-1
 - DIAG REG 1.1 MM374EK2- 30-1
 - DIAG REG 1.0 MM374EN2- 34-1
 + CORRECTED BIT 1.7 MM376EB2- 38-1
 + CORRECTED BIT 1.6 MM376EC2- 42-1
 + CORRECTED BIT 1.5 MM376ED2- 46-1
 + CORRECTED BIT 1.4 MM376EF2- 50-1
 + CORRECTED BIT 1.3 MM376EG2- 54-1
 + CORRECTED BIT 1.2 MM376EH2- 58-1
 + CORRECTED BIT 1.1 MM376EK2- 62-1
 + CORRECTED BIT 1.0 MM376EL2- 66-1
 - C7 TO MEM MM377CH2- 70-1
 - C8 TO MEM MM377CK2- 74-1
 TIE UP MM378FL4- 78-2
 - TIE UP MM380AL2- 82-2
 - GATE C BITS TO MEM MM380CK2- 86-2
 - GATE DIAG REG 0 + 1 TO MEM MM456GL6- 90-2



LNC. TYPE
 A-B2E2 CG01



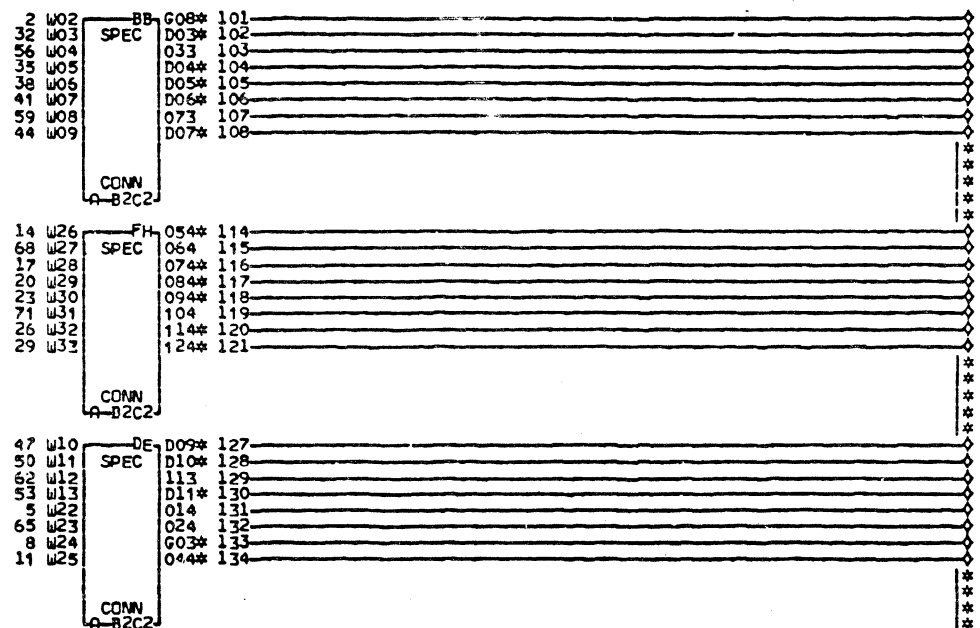
000 MM381

323 - DATA MEM BIT 1.7 MM763-DB6
 306 - DATA MEM BIT 1.6 MM763-DC6
 283 - DATA MEM BIT 1.5 MM763-DD6
 269 - DATA MEM BIT 1.4 MM763-DE6
 255 - DATA MEM BIT 1.3 MM763-DF6
 241 - DATA MEM BIT 1.2 MM763-DG6
 227 - DATA MEM BIT 1.1 MM763-DH6
 206 - DATA MEM BIT 1.0 MM763-DJ6
 345 - DATA MEM BIT C.7 MM762-DK6
 338 - DATA MEM BIT C.8 MM762-DL6

MM381
 000

DATA TO MEM BYTF 1	
E.C. HISTORY	E. MACH. 3705
DATE	LAST EC
08-29-80	344276
FRAME	01
IBM CORP.	MM381
P.N.	8550023 000

+ SAR BIT X.6 TO MEM AM001DG2- 2-1
 UNUSED AM001DG4- 5-1
 + SAR BIT X.7 TO MEM AM001DG6- 8-1
 + SAR BIT 0.0 TO MEM AM001DH2- 11-1
 + SAR BIT 0.1 TO MEM AM001DH4- 14-1
 + SAR BIT 0.2 TO MEM AM001DH6- 17-1
 + SAR BIT 0.3 TO MEM AM001DJ2- 20-1
 + SAR BIT 0.4 TO MEM AM001DJ4- 23-1
 + SAR BIT 0.5 TO MEM AM001DJ6- 26-1
 + SAR BIT 0.6 TO MEM AM001DK2- 29-1
 + SAR BIT 0.7 TO MEM AM001DK4- 32-1
 + SAR BIT 1.0 TO MEM AM001DK6- 35-1
 + SAR BIT 1.1 TO MEM AM001DL2- 38-1
 + SAR BIT 1.2 TO MEM AM001DL4- 41-1
 + SAR BIT 1.3 TO MEM AM001DL6- 44-1
 + SAR BIT 1.4 TO MEM AM001DM2- 47-1
 + SAR BIT 1.5 TO MEM AM001DM4- 50-1
 + SAR BIT 1.6 TO MEM AM001DM6- 53-1
 GND MM451003- 56-1
 GND MM451007- 59-1
 GND MM451011- 62-1
 GND MM451014- 65-1
 GND MM451018- 68-1
 GND MM451022- 71-1



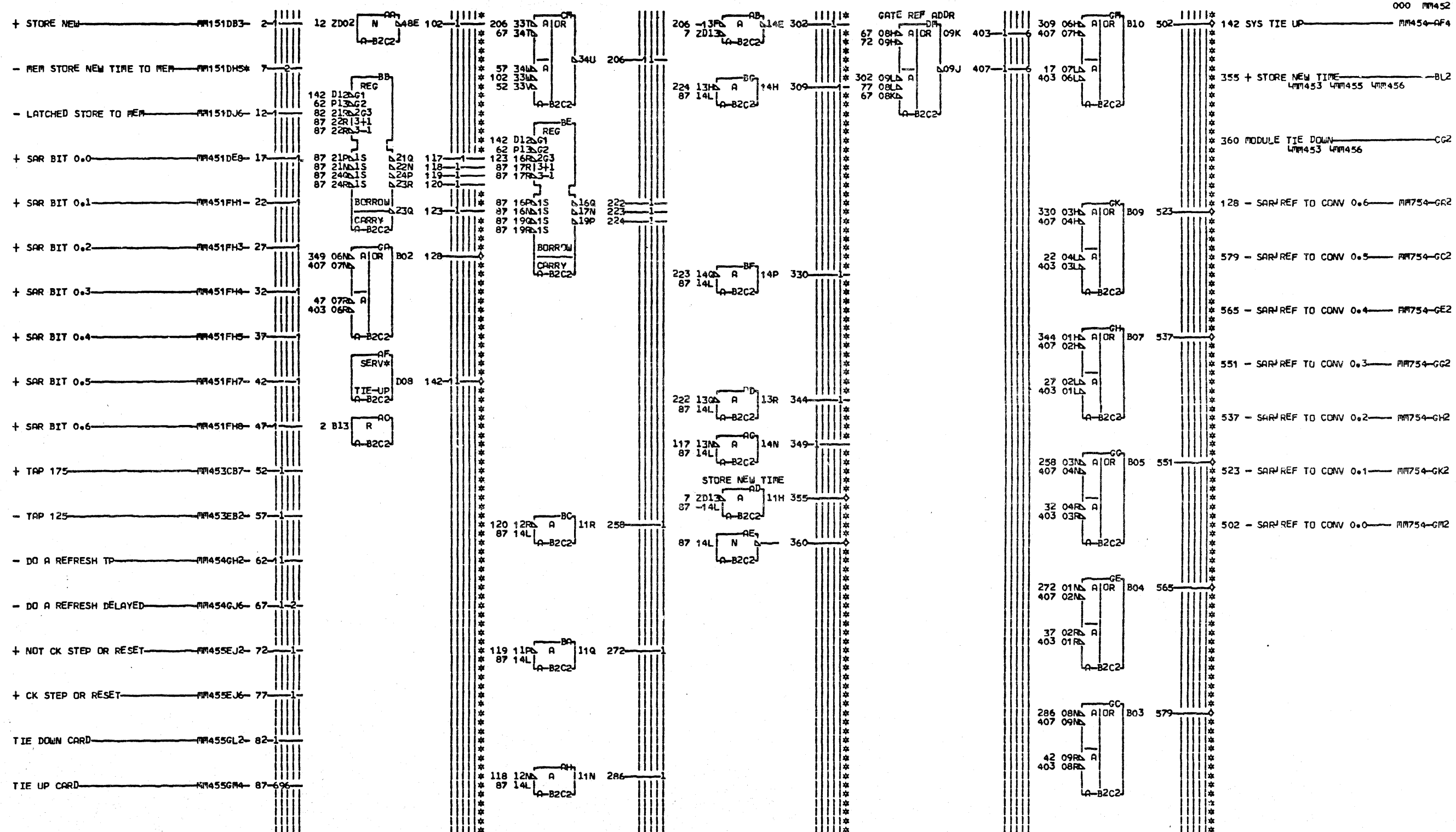
000 MM451
 101 + SAR BIT X.6 MM453 MM463 BB1
 102 + SAR BIT 0.7 MM764-BB2
 103 GND BB3
 104 + SAR BIT 1.0 MM764-BB4
 105 + SAR BIT 1.1 MM764-BB5
 106 + SAR BIT 1.2 MM764-BB6
 107 GND BB7
 108 + SAR BIT 1.3 MM764-BB8
 127 + SAR BIT 1.4 MM764-DE1
 128 + SAR BIT 1.5 MM764-DE2
 129 GND DE3
 130 + SAR BIT 1.6 TP MM455 MM456 DE4
 131 + UNUSED DE5
 132 GND DE6
 133 + SAR BIT X.7 MM754-DE7
 134 + SAR BIT 0.0 MM452-DE8
 114 + SAR BIT 0.1 MM452-FH1
 115 GND FH2
 116 + SAR BIT 0.2 MM452-FH3
 117 + SAR BIT 0.3 MM452-FH4
 118 + SAR BIT 0.4 MM452-FH5
 119 GND FH6
 120 + SAR BIT 0.5 MM452-FH7
 121 + SAR BIT 0.6 MM452-FH8

EDGE CONN.	A-B2C2D06	A-B2C2	A-B2C2D11
101 RESISTOR	108 RESISTOR	120 RESISTOR	133 RESISTOR
A-B2C2G08	A-B2C2D07	A-B2C2	A-B2C2G03
102 RESISTOR	114 RESISTOR	121 RESISTOR	134 RESISTOR
A-B2C2D03	A-B2C2	A-B2C2	A-B2C2
104 RESISTOR	116 RESISTOR	127 RESISTOR	
A-B2C2D04	A-B2C2	A-B2C2D09	
105 RESISTOR	117 RESISTOR	128 RESISTOR	
A-B2C2D05	A-B2C2	A-B2C2D10	
106 RESISTOR	118 RESISTOR	130 RESISTOR	

LDC. TYPE
A-B2C2 CG02

CONNECTOR-SAR	
E.C. HISTORY	E. MACH. 3705
DATE	LAST EC
08-29-60	344276
FRAME	01
IBM CORP. SCD	MM451
P.N. 8550024	000

MM451
000

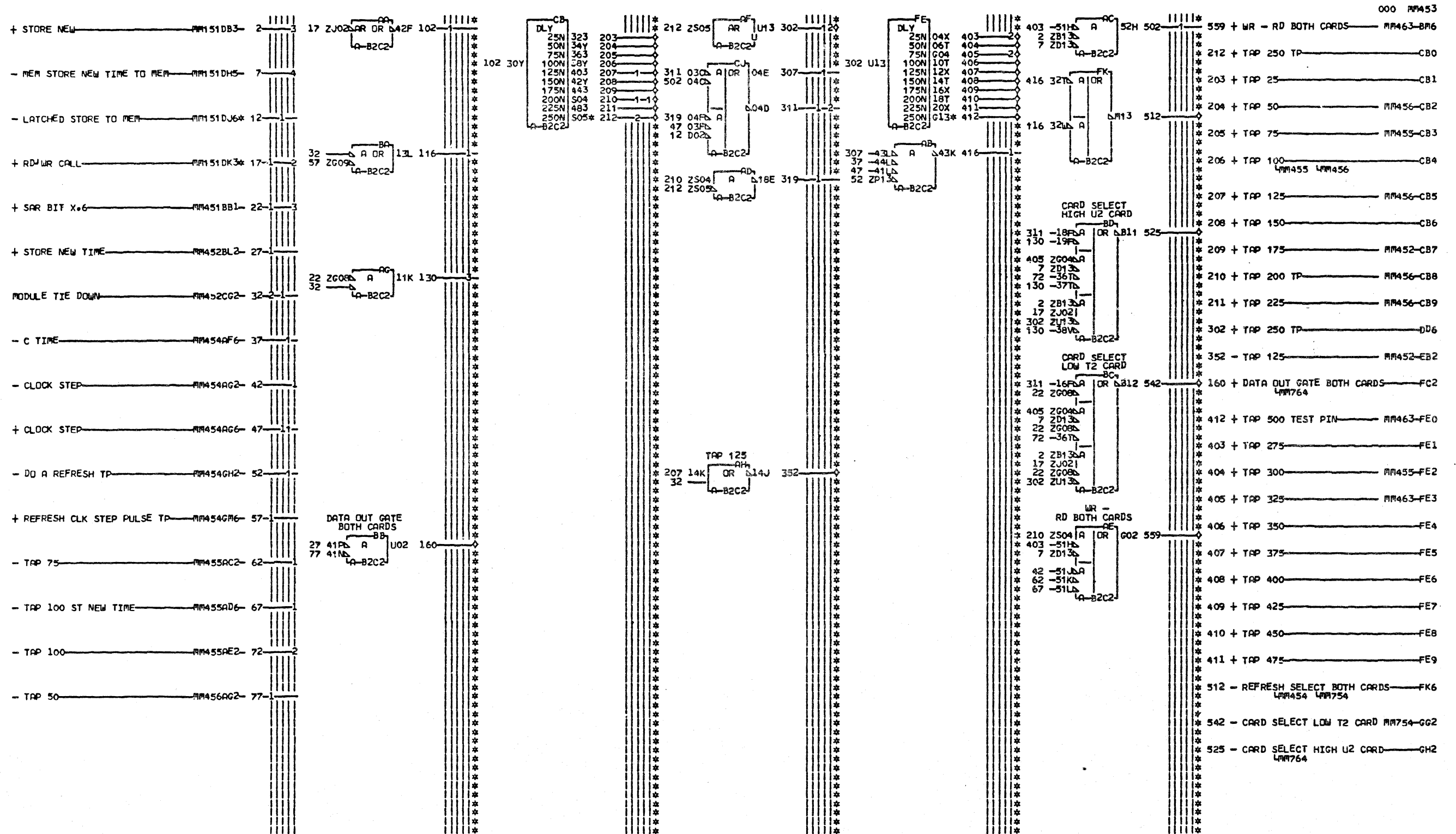


EDGF CONN.
7 PFSTOR
A-B2C2D13

1 DC. Type
A-B2C2 CG02

REFRESH ADDR SAR ANDR	
E.C.-HISTORY	E.MACH.3705
DATE	LAST EC
08-29-80 344276	P.N. 8550025
FRAME 01	MM452
IBM CORP.	000

MM452
000

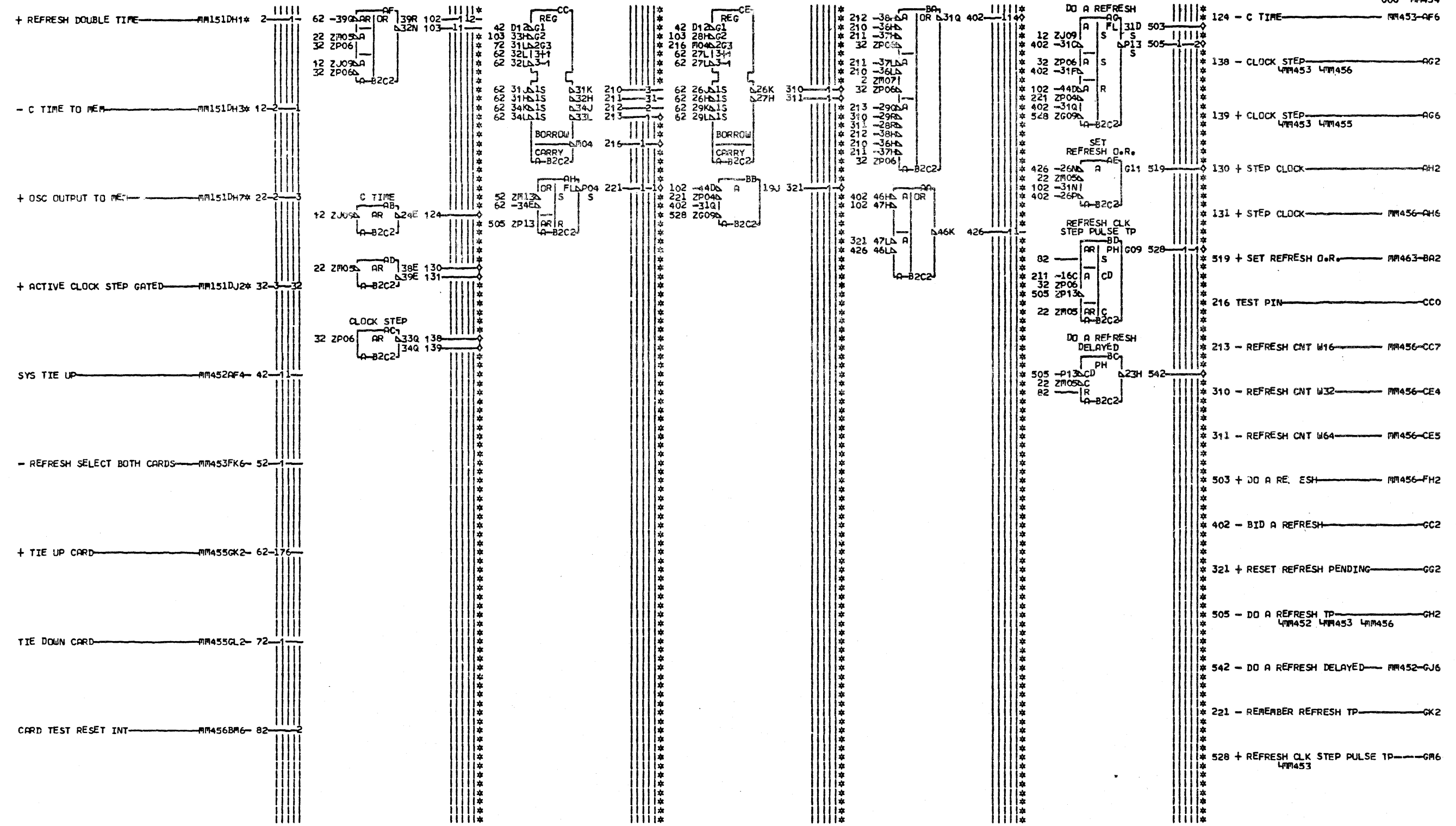


MM453
000

EDGE CONN.
12 RESISTOR
A-B2C2D02
17 RESISTOR
A-B2C2J02
212 RESISTOR
A-B2C2S05
412 RESISTOR
A-B2C2G13

LOC. TYPE
A-B2C2 C602

DELAY LINE CLOCK AND MEMORY CNTL	
E.C. HISTORY - E. MACH. 3705	
FRAME	01
DATE LAST EC	IBR CORP. MM453
08-29-60 344276	P.N. 8550026 000

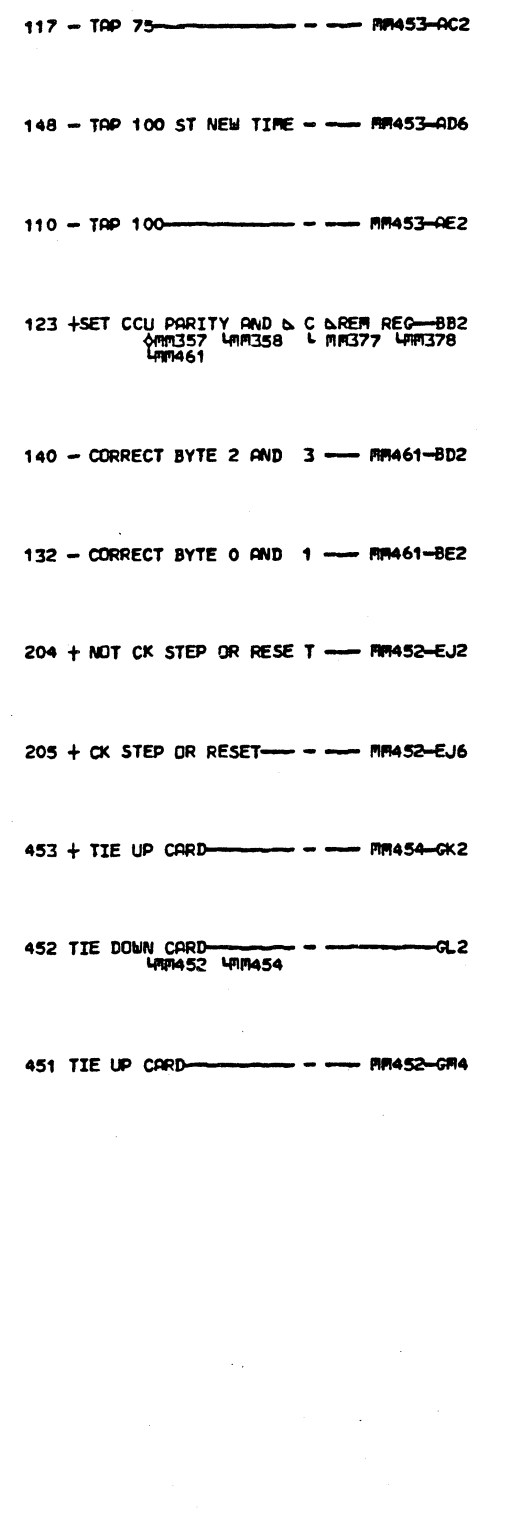
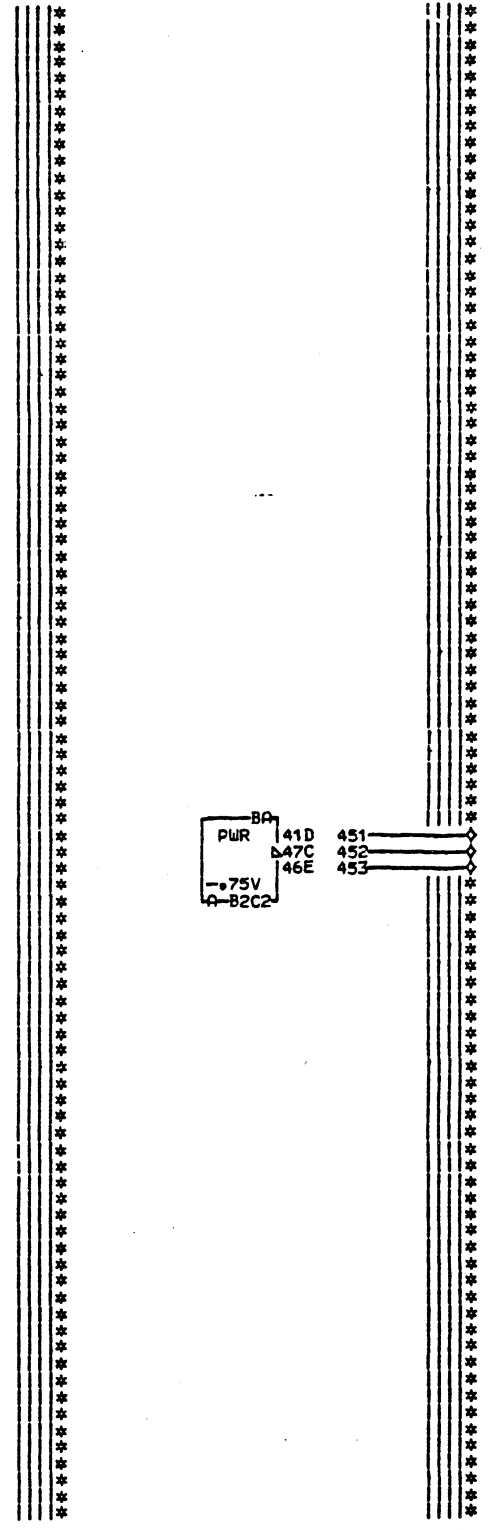
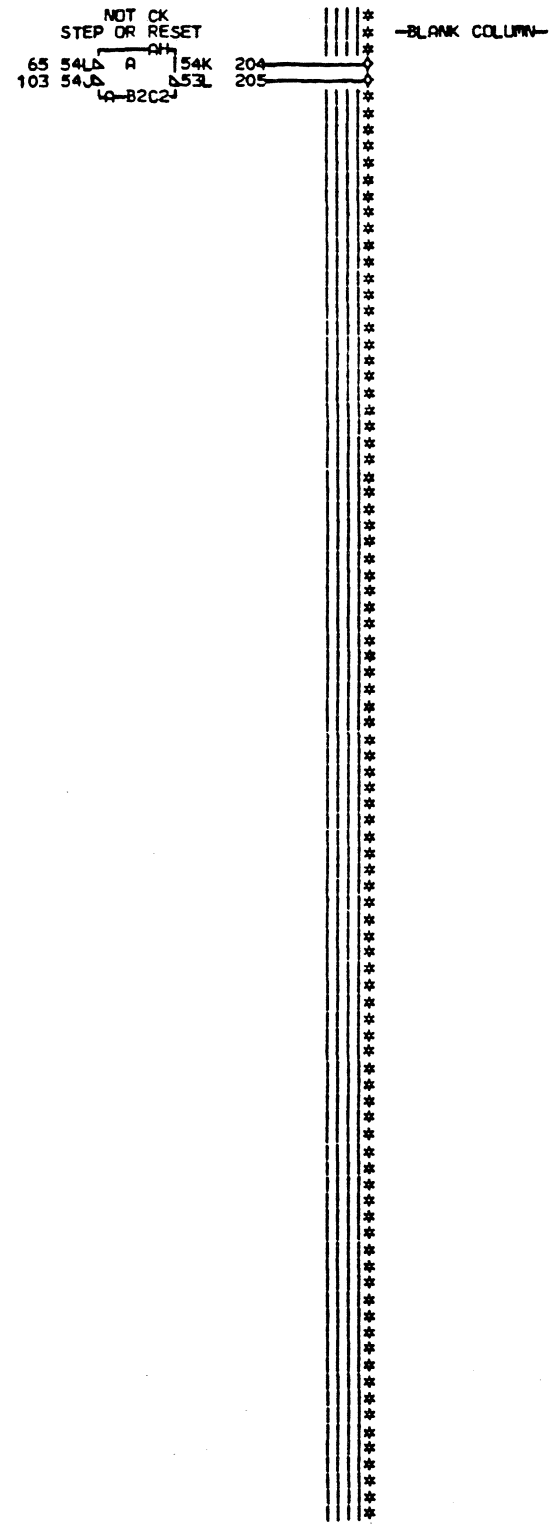
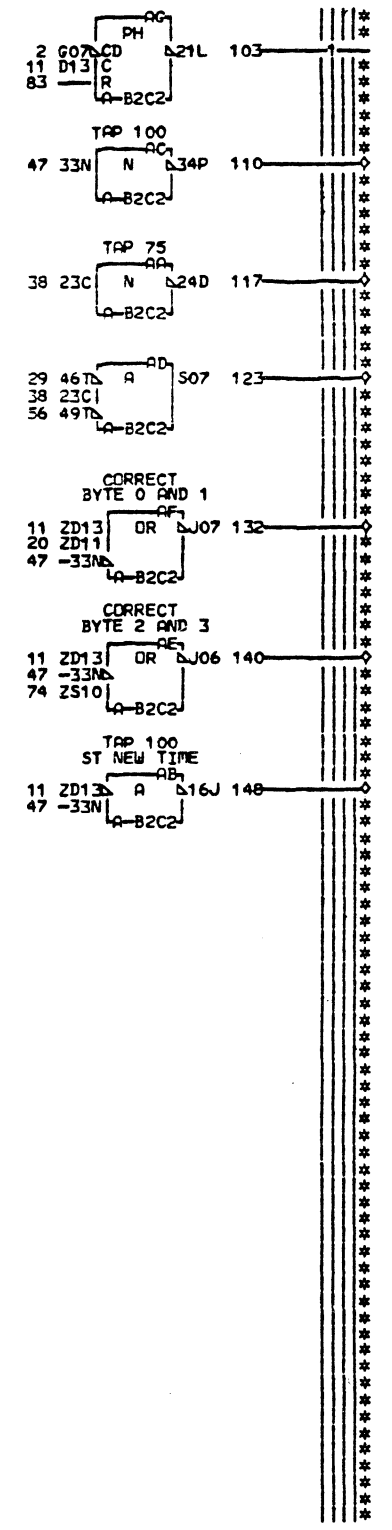
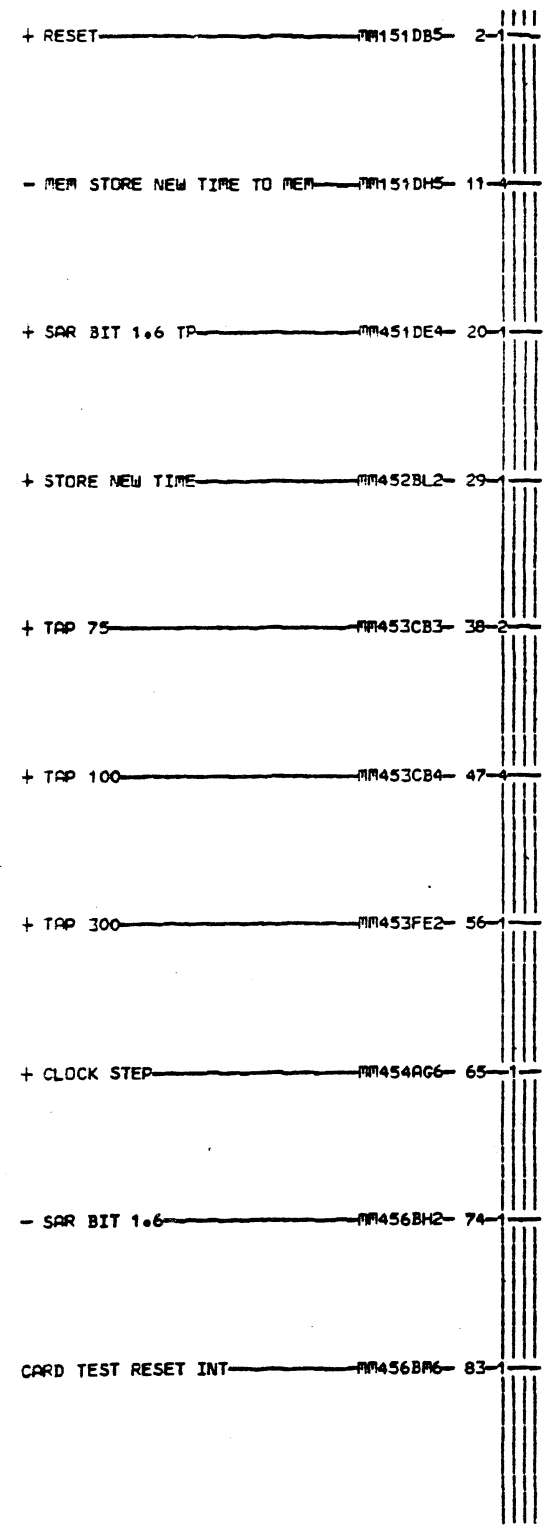


MM454
000

EDGE CONN.
 2 RESISTOR
 A-B2C2M07
 12 RESISTOR
 A-B2C2J09
 22 RESISTOR
 A-B2C2M05
 32 RESISTOR
 A-B2C2P06

LDC. TYPE
 A-B2C2 CG02

REFRESH CNTL			
E.C.-HISTORY	E-MACH.3705	FRAME	01
DATE LAST EC	IBM CORP.	MM454	
08-29-80 344276	P.N. 8550027	000	

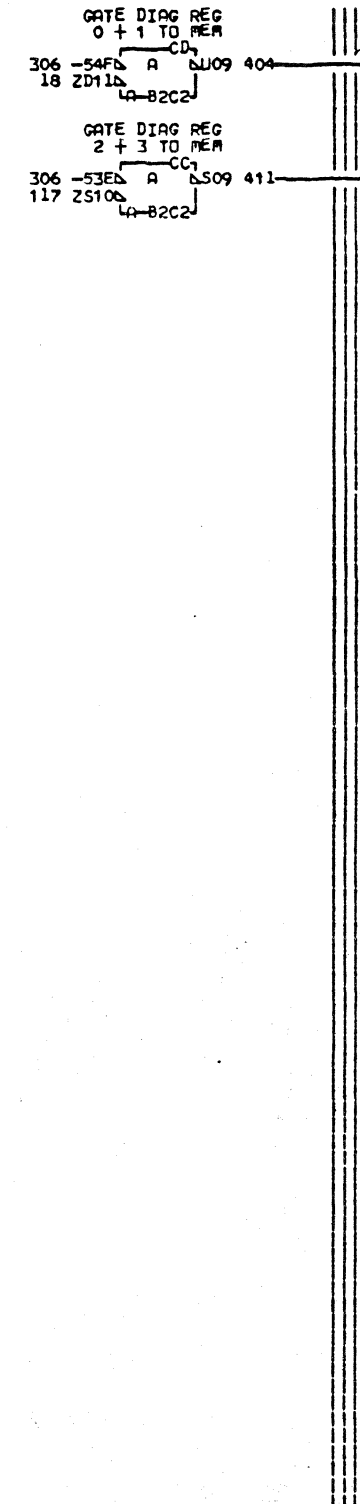
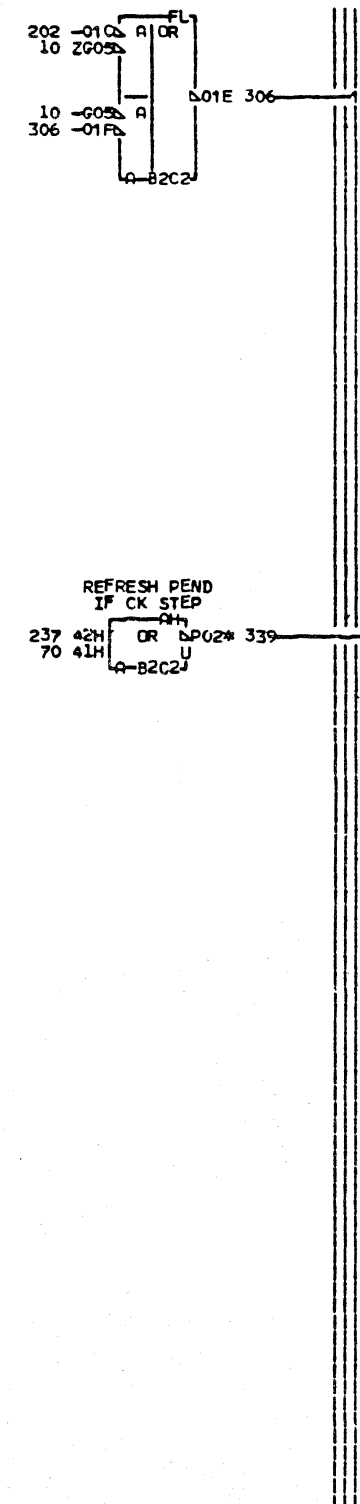
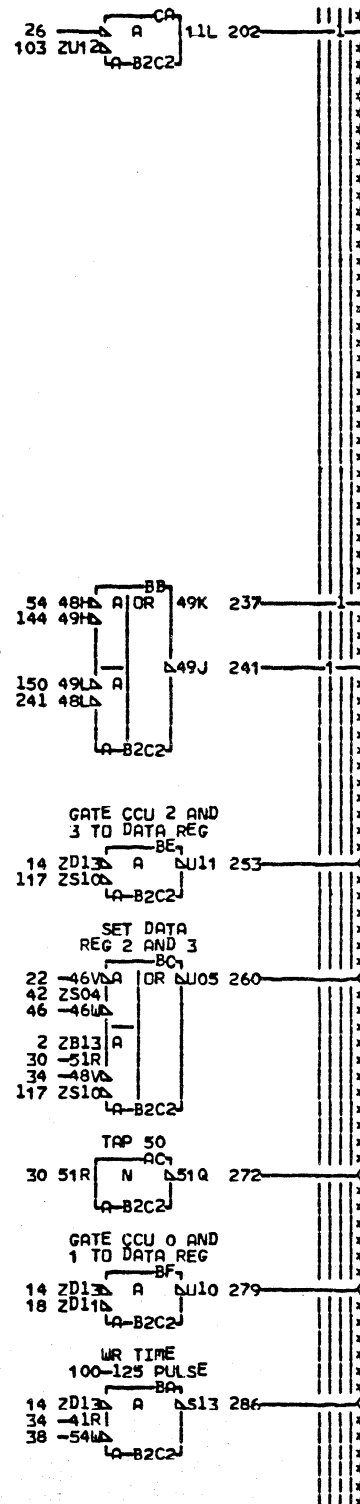
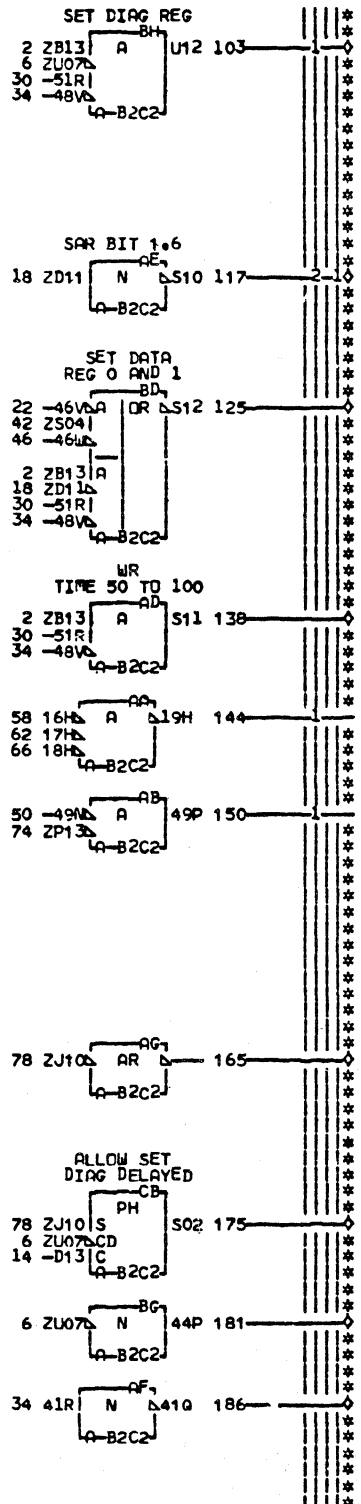


LOC. TYPE
A-B2C2 CG02

MM455
000

MISC CNTRL			
E.C. HISTORY	E. PACH. 3	705	
344276	FRAME	01	
DATE	LAST EC	IBM C O RP.	MM455
02-27-81	344616	P.No. 8 550028	000

+ STORE NEW MM151DB3- 2-31
 - ALLOW SET MEM DIAG REG MM151DB7* 6-3
 + RESET MEM DIAG REG MM151DC2* 10-2
 - MEM STORE NEW TIME TO MEM MM151DH5- 14-13
 + SAR BIT 1+6 TP MM451DE4- 18-21-1
 + STORE NEW TIME MM452BL2- 22-11
 MODULE TIE DOWN MM452CG2- 26-1
 + TAP 50 MM453CB2- 30-32
 + TAP 100 MM453CB4- 34-42
 + TAP 125 MM453CB5- 38-1
 + TAP 200 TP MM453CB8- 42-1
 + TAP 225 MM453CB9- 46-1
 - CLOCK STEP MM454AG2- 50-1
 + STEP CLOCK MM454AH6- 54-1
 - REFRESH CNT W16 MM454CC7- 58-1
 - REFRESH CNT W32 MM454CE4- 62-1
 - REFRESH CNT W64 MM454CE5- 66-1
 + DO A REFRESH MM454FH2- 70-1
 - DO A REFRESH TP MM454GH2- 74-1
 + CARD TEST RESET MM456001- 78-2



000 MM456
 272 - TAP 50 MM453-AG2
 138 + WR TIME 50 TO 100 MM463-BF2
 117 - SAR BIT 1+6 BH2
 LMM359 LMM379 LMM455
 186 - TAP 100 BK2
 165 CARD TEST RESET INT BM6
 LMM454 LMM455
 339 - REFRESH PEND IF CK STEP MM151-CB2
 286 - WR TIME 100-125 PULSE MM463-CK6
 260 - SET DATA REG 2 AND 3 DE2
 LMM355 LMM375
 125 - SET DATA REG 0 AND 1 DF2
 LMM356 LMM376
 253 - GATE CCU 2 AND 3 TO DATA REG DH6
 LMM355 LMM375
 279 - GATE CCU 0 AND 1 TO DATA REG DJ6
 LMM356 LMM376
 181 + ALLOW SET DIAG REG EK2
 103 + SET DIAG REG EL2
 LMM354 LMM374
 175 + ALLOW SET DIAG DELAYED MM463-FC6
 411 - GATE DIAG REG 2 + 3 TO MEM GK6
 LMM360 LMM380
 404 - GATE DIAG REG 0 + 1 TO MEM GL6
 LMM361 LMM381

EDGE CROWN
 RESISTOR
 A-B2C2U07
 10 RESISTOR
 A-B2C2G05
 339 A-B2B4B12

LOC. TYPE
 A-B2C2 CG02

MM456
 000

DATA + DIAG CNTL ETC	
E.C.-HISTORY	E-MACH-3705
DATE LAST EC	FRAME 01
08-29-80 344276	IBM CORP. MM456
	P.N. 8550C29 000

- SYND 3 MM357GB2 2-2

- SYND 5 MM357GF2 9-2

- SYND 6 MM357GK2 16-2

- SYND 1 MM357GA2 23-2

- SYND 4 MM377GB2 30-2

- SYND 7 MM377GF2 37-2

- SYND 8 MM377GK2 44-2

- SYND 2 MM377GM2 51-2

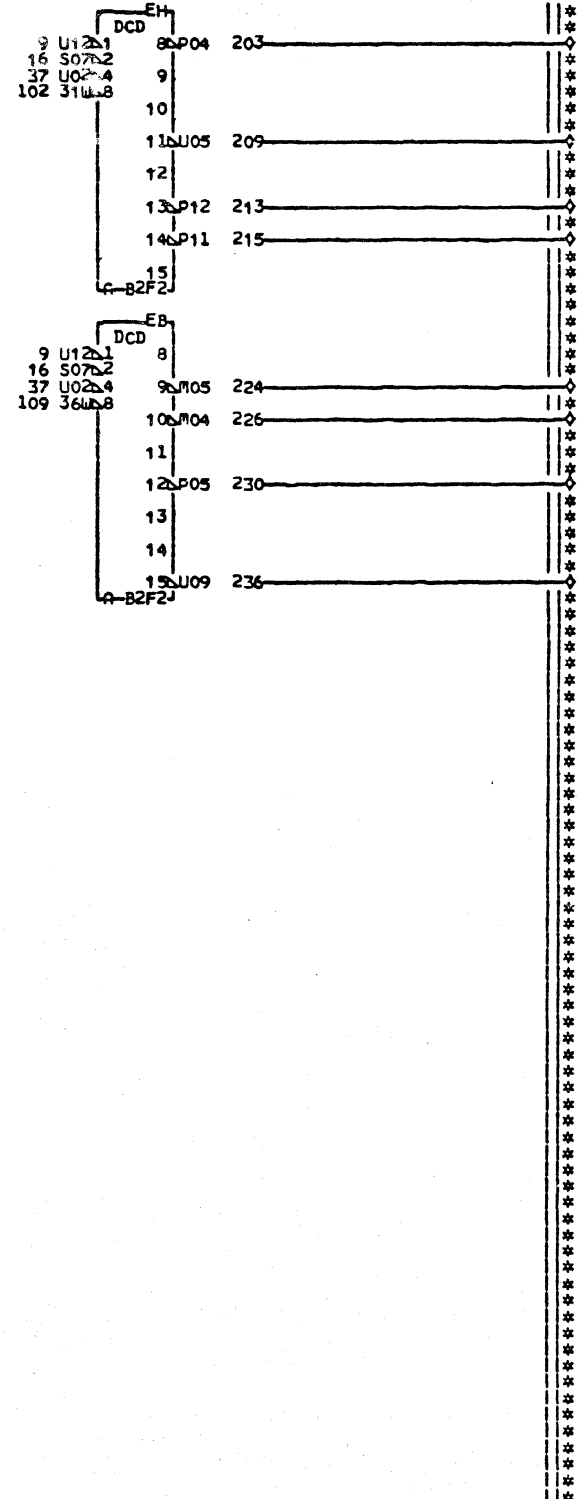
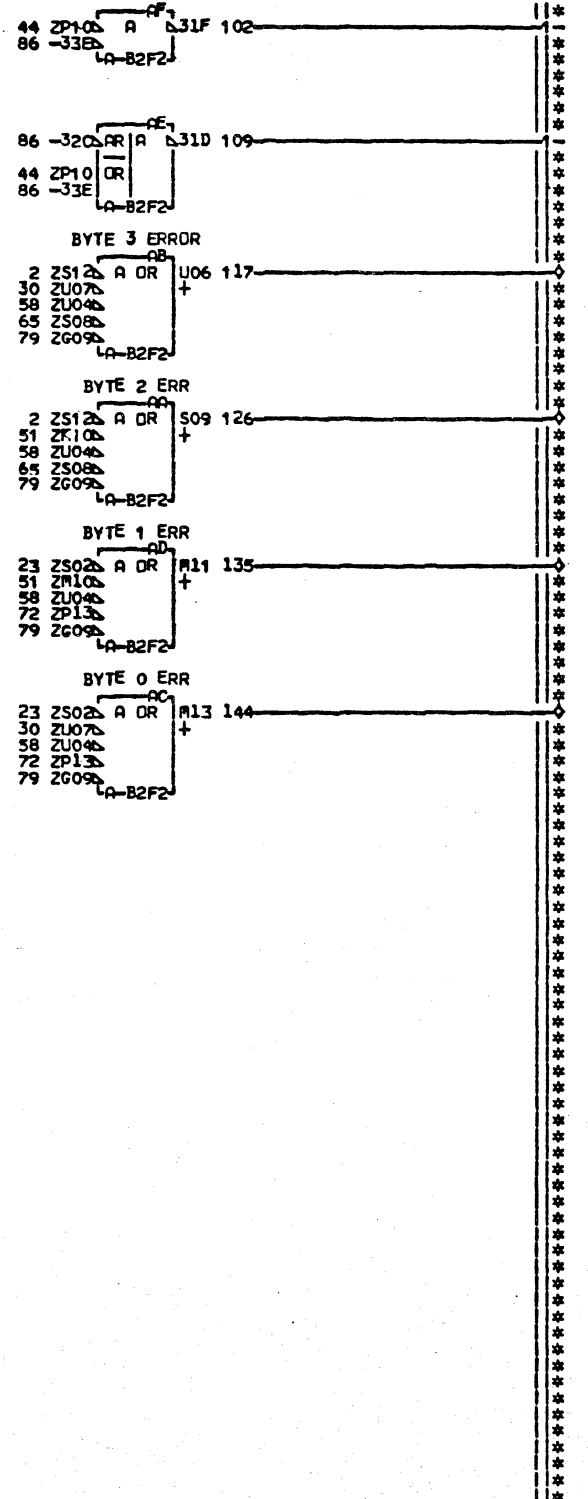
+ SET CCU PARITY AND LOAD REG MM455BB2 58-2

- CORRECT BYTE 2 AND 3 MM455BD2 65-2

- CORRECT BYTE 0 AND 1 MM455BE2 72-2

+ UNCORRECTABLE MM462GA2 79-4

+ FORCE ERROR MM463FB6 86-3



126 + BYTE 2 ERR MM358-CB2

117 + BYTE 3 ERROR MM378-CD2

144 + BYTE 0 ERR MM358-CF2

135 + BYTE 1 ERR MM378-CH2

236 - BIT 4 ERR EBO
MM352 MM372

224 - BIT 0 ERR EB4
MM352 MM372

226 - BIT 1 ERR EB5
MM352 MM372

230 - BIT 2 ERR EB7
MM352 MM372

203 - BIT 3 ERR EH3
MM352 MM372

209 - BIT 5 ERR EH6
MM352 MM372

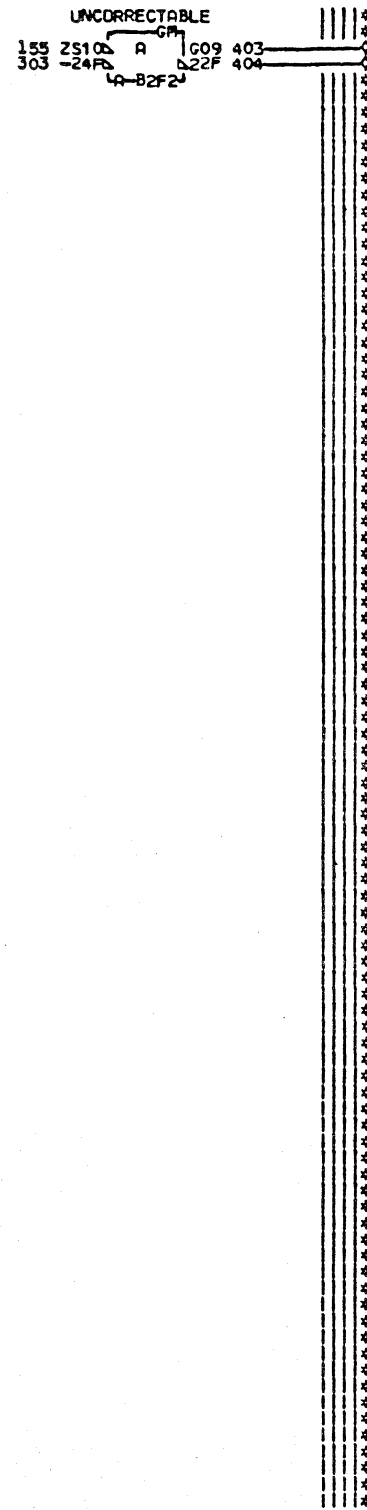
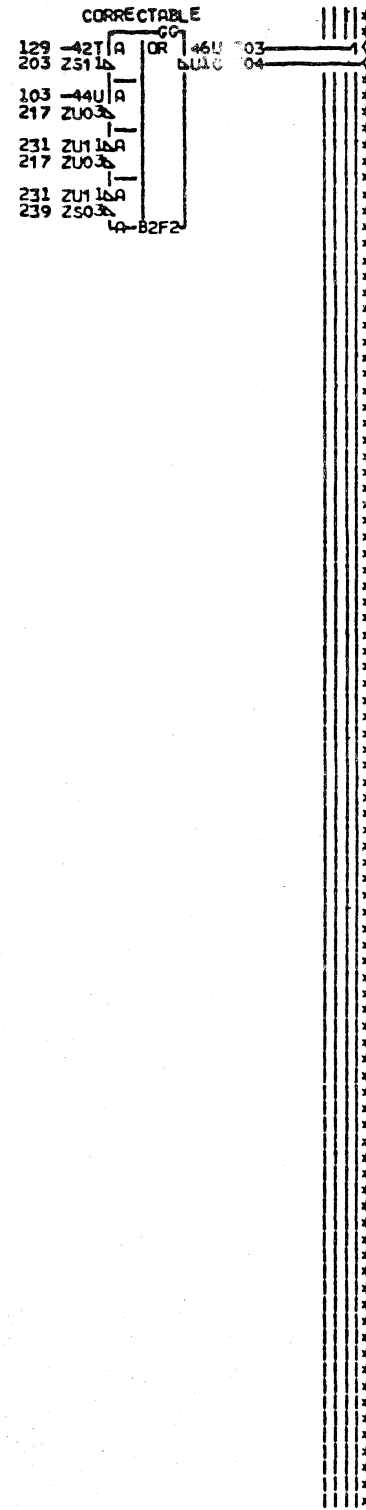
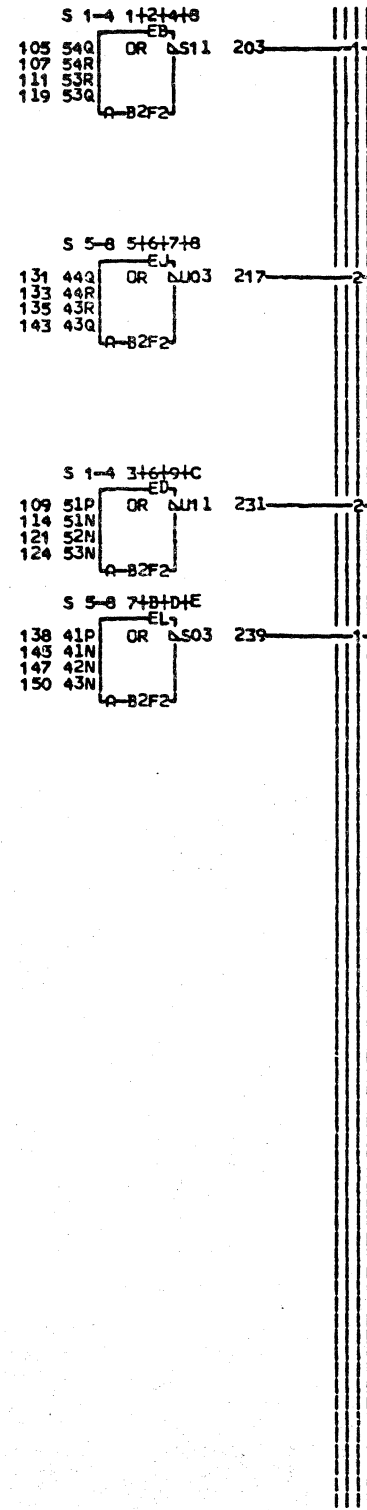
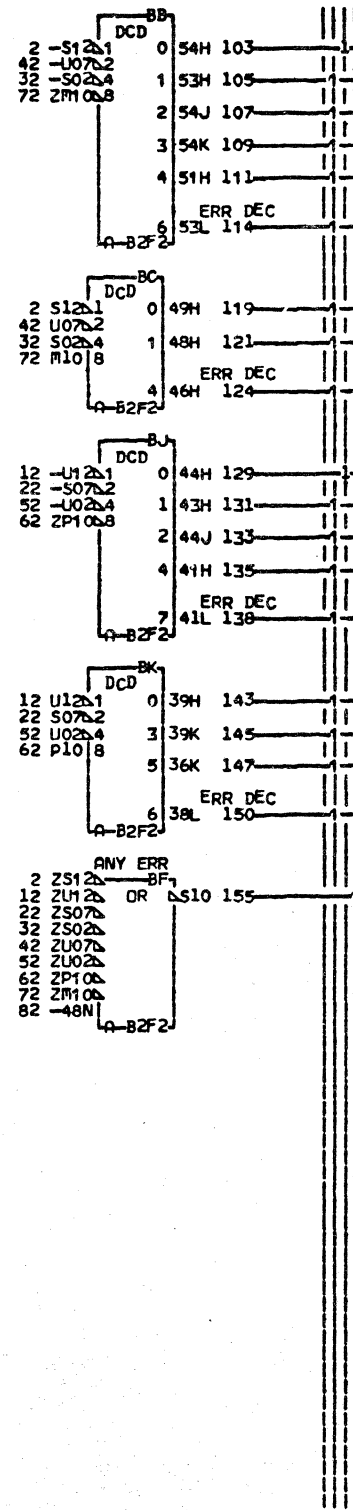
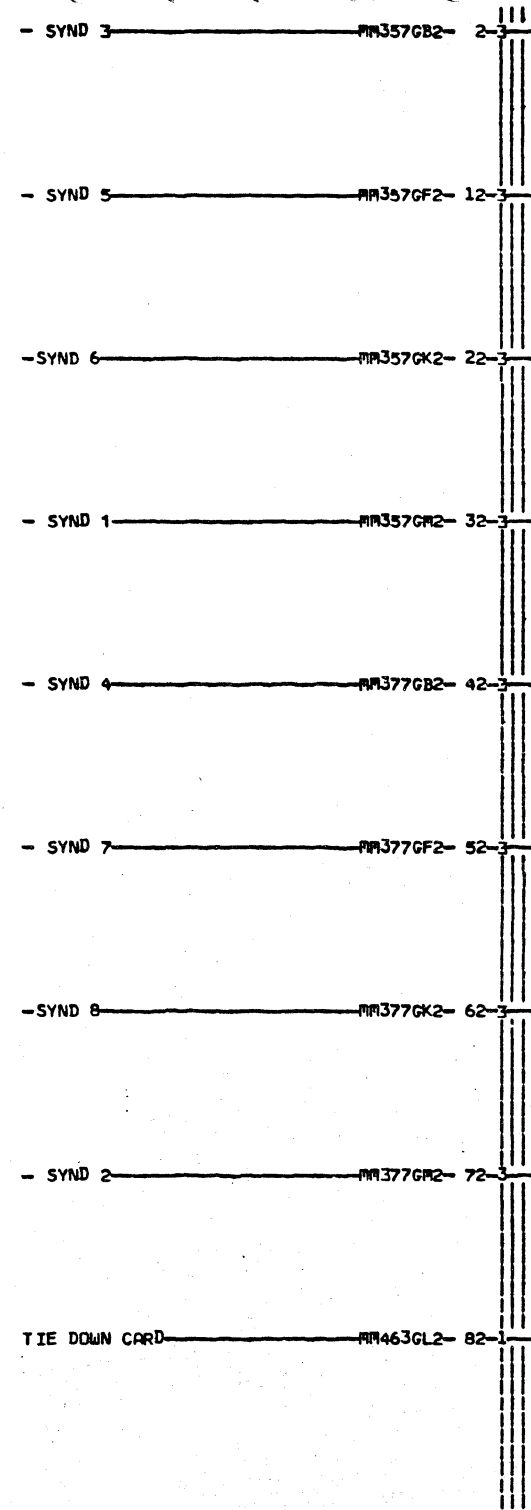
213 - BIT 6 ERR EH8
MM352 MM372

215 - BIT 7 ERR EH9
MM352 MM372

LOC. TYPE
A-B2F2 CG03

MM461
000

ECC BYTE BIT ERROR DFCODE	
E.C. HISTORY	E. MACH. 3705
FRAME	01
DATE LAST EC	IBM CORP. MM461
08-29-80 344276	P.N. 8550030 000

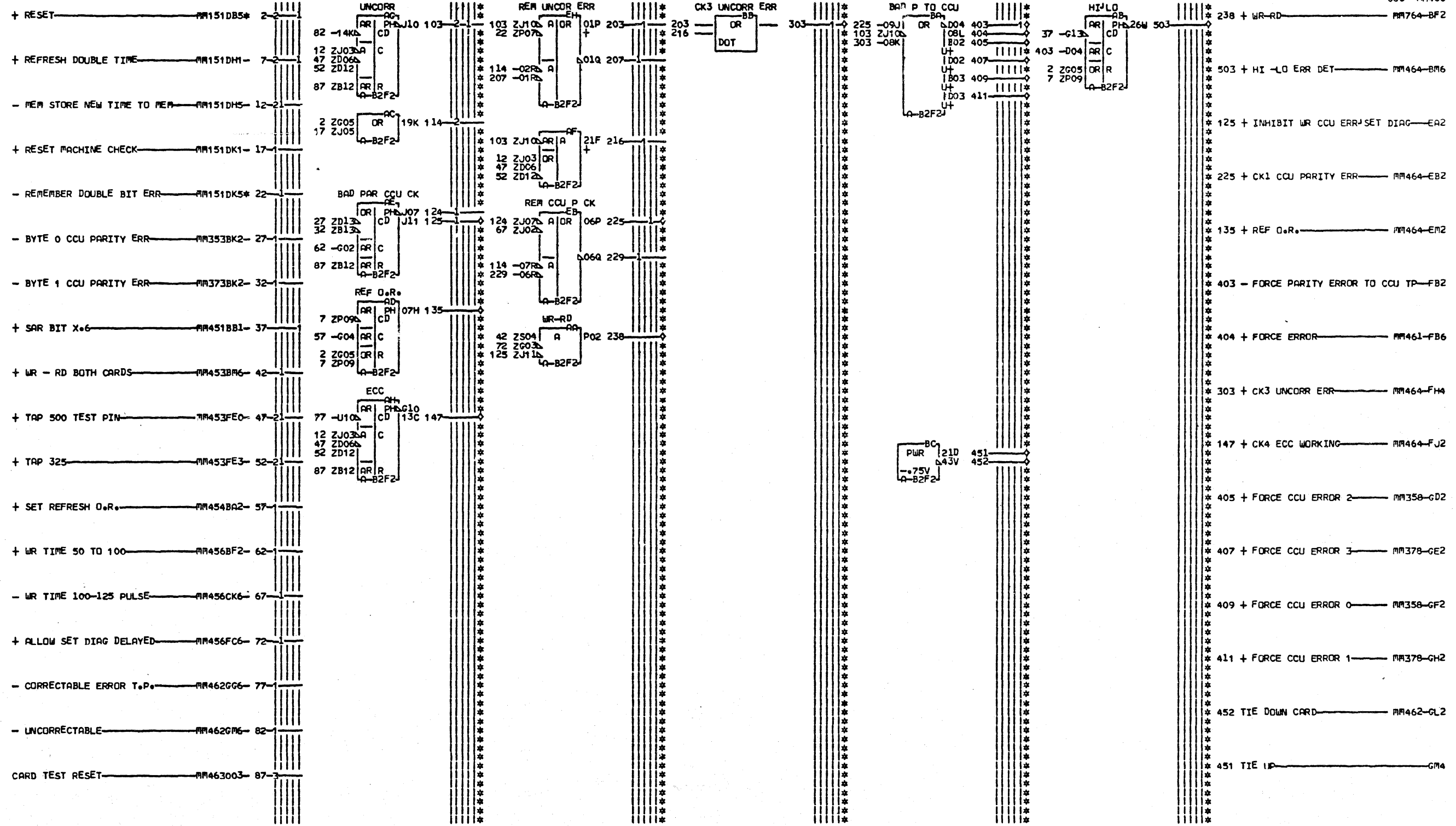


303 + CORRECTABLE ERROR --- GG2
 304 - CORRECTABLE ERROR T.P. --- MM463-GG6
 403 + UNCORRECTABLE --- MM461-GP2
 404 - UNCORRECTABLE --- MM463-GP6

LOC. TYPE
 A-B2F2 CG03

MM462
 000

FCC CORRECTABLE ERROR	
DECODE	
E.C.-HISTORY	F. MACH. 3705
FRAME	01
DATE LAST EC	IBM CORP. MM462
08-29-80 344276	P.N. 8550031 000



EDGE CNM.
2 RESISTOR
A-B2F2G05
22 RESISTOR
A-B2F2P07

LOC. TYPE
A-B2F2 C603

CHECK REGISTER			
E.C. HISTORY	E. MACH.	3705	
	FRAME	01	
DATE	LAST EC	IBM CORP.	MM463
08-29-80	344276	P.N. 8550032	000

MM463
000

+ LAMP TEST TO MEA MM151DJ4* 2-6

+ HI -LO ERR DET MM463BM6 12-

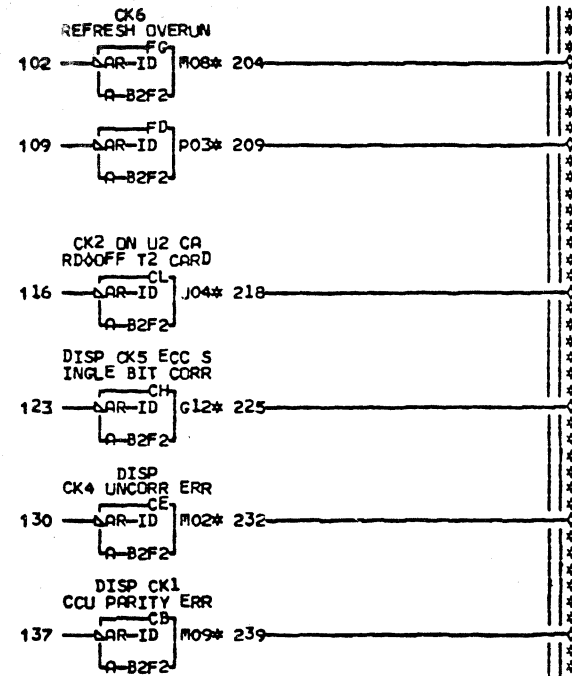
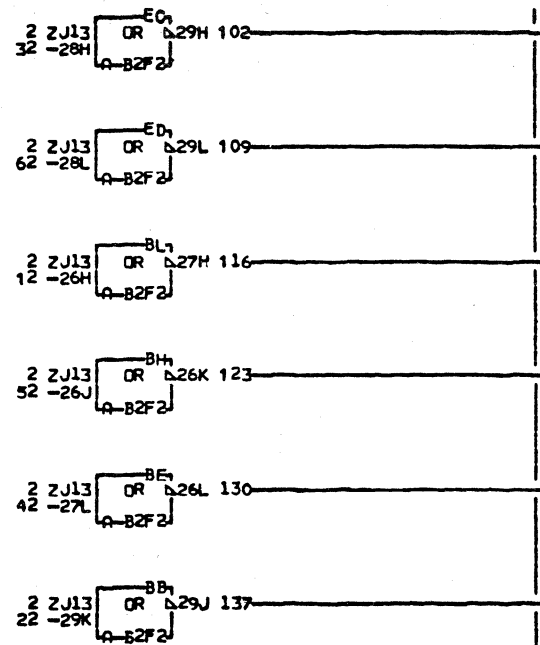
+ CK1 CCU PARITY ERR MM463EB2- 22-

+ REF O.R. MM463EM2- 32-

+ CK3 UNCORR ERR MM463FH4- 42-

+ CK4 ECC WORKING MM463FJ2- 52-

SPARE MM464001- 62-



000 MM464

239 + DISP CK1 CCU PARITY ERR MM465-CB4

232 + DISP CK4 UNCORR ERR MM465-CE4

225 + DISP CK5 ECC SINGLE BIT CORR-CH4 MM465

218 + CK2 ON U2 CARD00FF T2 CARD-CL4 MM465

209 SPARE MM465-FD4

204 + CK6 REFRESH OVERUN MM465-FG4

FDC CONN.
2 RESISTOR
A-B2F2J13
204 A-B205D13
209 A-B205B06
218 A-B205B05
225 A-B205D10
232 A-B205D09
239 A-B205B02

LOC. TYPE
A-B2F2 CG03

MM464
000

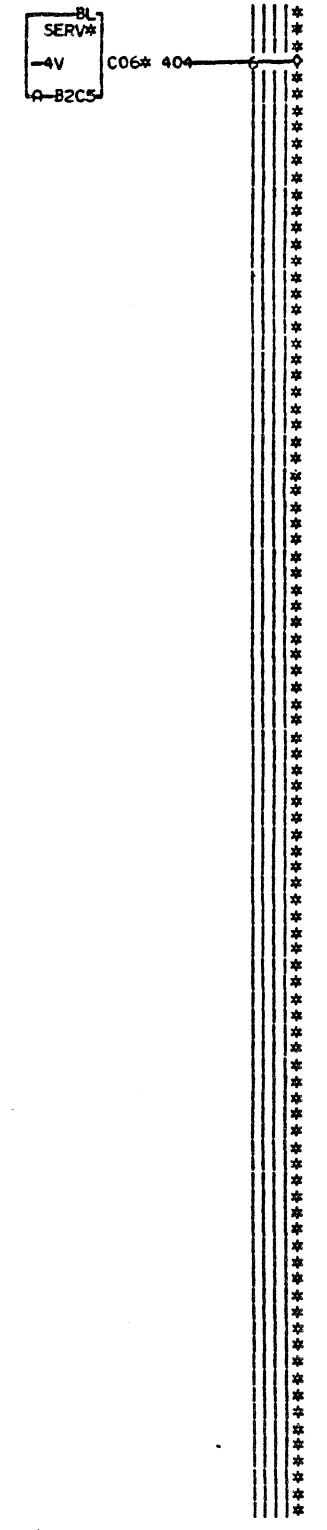
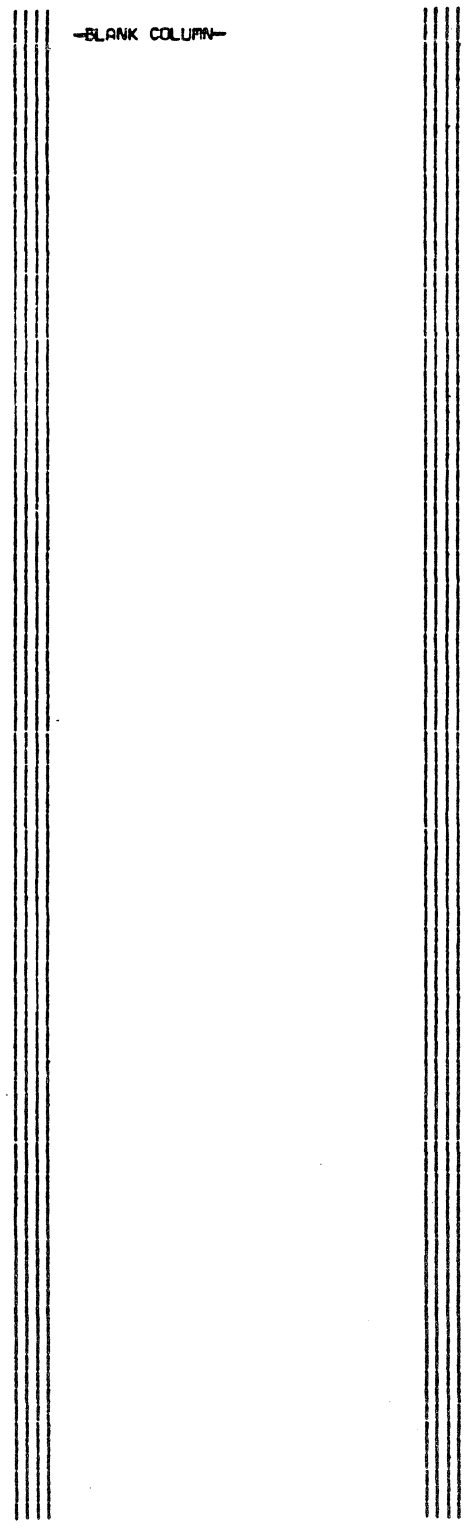
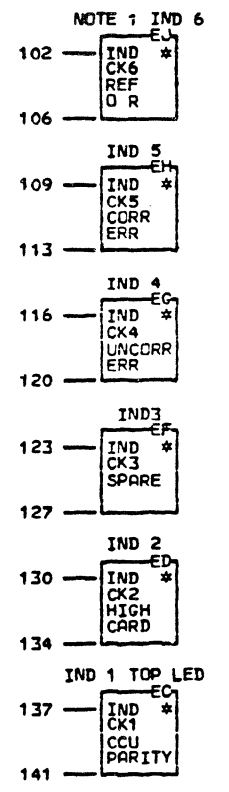
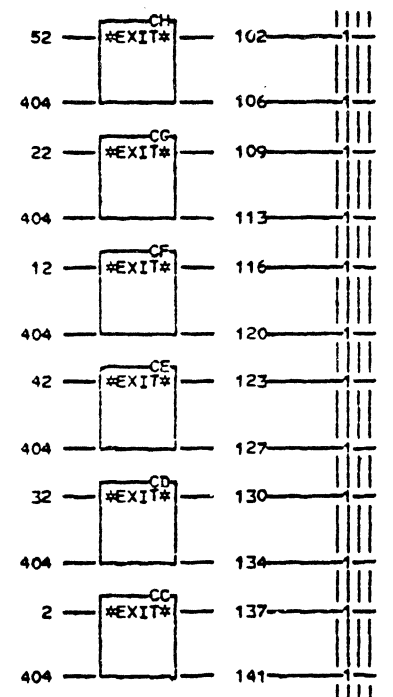
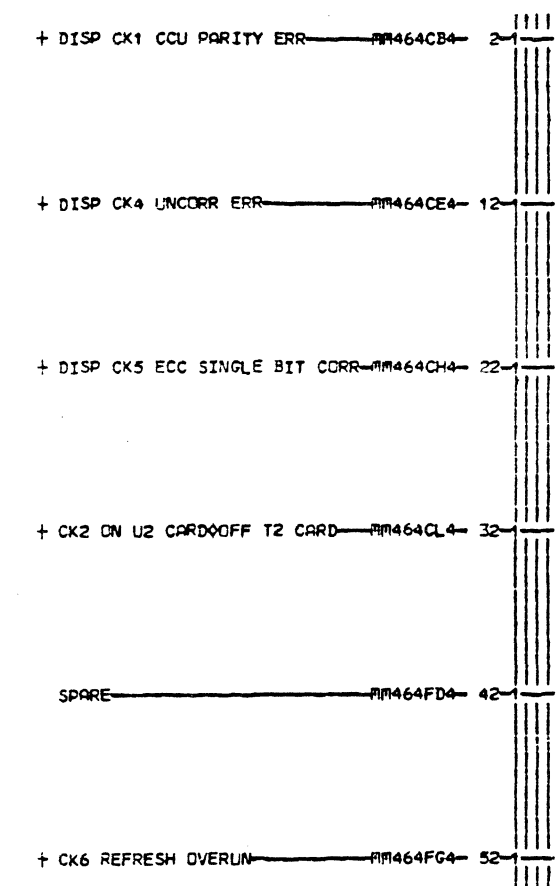
LED DVALS FOR ERRORS

E.C.-HISTORY E-MACH.3705

FRAME 01

DATE LAST EC IBM CORP. MM464
08-29-80 344276 P.No. 8550033 000

404 - 4V TO LED 5 MM021-BL4



NOTE 1. THE REF OVERRUN LIGHT IS INVALID DURING ACTIVE CLOCK STEP. IT MUST BE RESET AFTER LEAVING CLOCK STEP VIA AN IPL OR RESET.

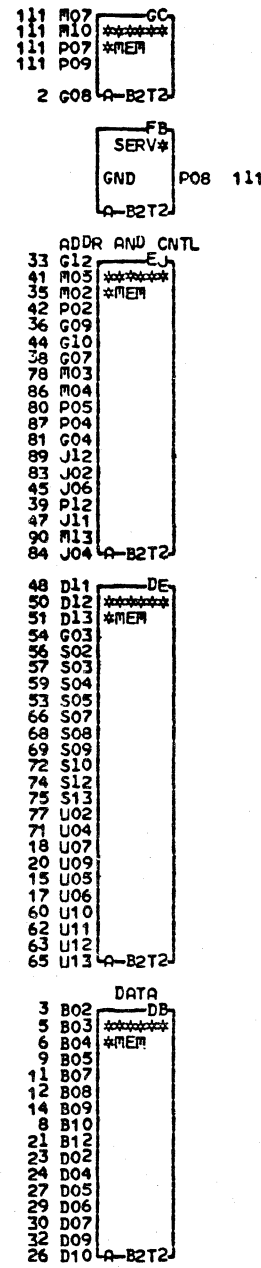
EDGE CONN.
 404 A-B2A5D02
 01A-B2A5D05
 01A-B2A5D06
 01A-B2A5B09
 01A-B2A5B10
 01A-B2A5B13

LOC. TYPE

MM465
 000

LEDS ON PIN SIDE OF MEMORY BOARD		E-C-HISTORY		MACH#3705	
344276		FRAME		01	
DATE		LAST EC		IBM CCRP.SCD	
02-27-81		344616		P.N. 8550034	
				MM465	
				000	

+ 5 VOLTS ----- MM021BC4- 2-1
 - MEM BUS BIT 2.0 ----- MM751CC2- 3-1
 - MEM BUS BIT 2.1 ----- MM751CC3- 5-1
 - MEM BUS BIT 2.2 ----- MM751CC4- 6-1
 - MEM BUS BIT 2.7 ----- MM751CC5- 8-1
 - MEM BUS BIT 2.3 ----- MM751CL2- 9-1
 - MEM BUS BIT 2.4 ----- MM751CL3- 11-1
 - MEM BUS BIT 2.5 ----- MM751CL4- 12-1
 - MEM BUS BIT 2.6 ----- MM751CL5- 14-1
 - MEM BUS BIT C.3 ----- MM752CC2- 15-1
 - MEM BUS BIT C.4 ----- MM752CC3- 17-1
 - MEM BUS BIT C.1 ----- MM752CC4- 18-1
 - MEM BUS BIT C.2 ----- MM752CC5- 20-1
 - MEM BUS BIT 3.0 ----- MM753CC2- 21-1
 - MEM BUS BIT 3.1 ----- MM753CC3- 23-1
 - MEM BUS BIT 3.2 ----- MM753CC4- 24-1
 - MEM BUS BIT 3.7 ----- MM753CC5- 26-1
 - MEM BUS BIT 3.3 ----- MM753CL2- 27-1
 - MEM BUS BIT 3.4 ----- MM753CL3- 29-1
 - MEM BUS BIT 3.5 ----- MM753CL4- 30-1
 - MEM BUS BIT 3.6 ----- MM753CL5- 32-1
 + MEM ADDR 0.0 ----- MM754BA6- 33-1
 + MEM ADDR 0.2 ----- MM754BC6- 35-1
 + MEM ADDR 0.4 ----- MM754BE6- 36-1
 + MEM ADDR 0.6 ----- MM754BG6- 38-1
 - CARD SELECT LOW 128 T2 ----- MM754BJ6- 39-1
 + MEM ADDR 0.1 ----- MM754EB6- 41-1
 + MEM ADDR 0.3 ----- MM754ED6- 42-1
 + MEM ADDR 0.5 ----- MM754EF6- 44-1
 - CHIP SELECT ----- MM754EH6- 45-1
 - REFRESH ----- MM754EK6- 47-1
 - MEM BUS BIT 0.0 ----- MM761CC2- 48-1
 - MEM BUS BIT 0.1 ----- MM761CC3- 50-1
 - MEM BUS BIT 0.2 ----- MM761CC4- 51-1
 - MEM BUS BIT 0.7 ----- MM761CC5- 53-1
 - MEM BUS BIT 0.3 ----- MM761CL2- 54-1
 - MEM BUS BIT 0.4 ----- MM761CL3- 56-1
 - MEM BUS BIT 0.5 ----- MM761CL4- 57-1
 - MEM BUS BIT 0.6 ----- MM761CL5- 59-1
 - MEM BUS BIT C.5 ----- MM762CC2- 60-1
 - MEM BUS BIT C.6 ----- MM762CC3- 62-1
 - MEM BUS BIT C.7 ----- MM762CC4- 63-1
 - MEM BUS BIT C.8 ----- MM762CC5- 65-1
 - MEM BUS BIT 1.0 ----- MM763CC2- 66-1
 - MEM BUS BIT 1.1 ----- MM763CC3- 68-1
 - MEM BUS BIT 1.2 ----- MM763CC4- 69-1
 - MEM BUS BIT 1.7 ----- MM763CC5- 71-1
 - MEM BUS BIT 1.3 ----- MM763CL2- 72-1
 - MEM BUS BIT 1.4 ----- MM763CL3- 74-1
 - MEM BUS BIT 1.5 ----- MM763CL4- 75-1
 - MEM BUS BIT 1.6 ----- MM763CL5- 77-1
 - MEM ADDR 0.7 ----- MM764BA6- 78-1
 - MEM ADDR 1.1 ----- MM764BC6- 80-1
 - MEM ADDR 1.3 ----- MM764BE6- 81-1
 - MEM ADDR 1.5 ----- MM764BG6- 83-1
 + DATA OUT GATE ----- MM764BJ6- 84-1
 - MEM ADDR 1.0 ----- MM764EB6- 86-1
 - MEM ADDR 1.2 ----- MM764ED6- 87-1
 - MEM ADDR 1.4 ----- MM764EF6- 89-1
 - WR + RD TO MEM ----- MM764EH6- 90-1



INC. TYPE

MM651
000

MEMORY CARD LOW 128K			
BYTES			
E.C. HISTORY		E. MACH. 3705	
		FRAME	01
DATE LAST EC		IBM CORP. SCD	MM651
08-29-80 344276		P.N. 8550035	000

+ 5 VOLTS	MM021AC2	2
- MEM BUS BIT 2.0	MM751CC2	3
- MEM BUS BIT 2.1	MM751CC3	5
- MEM BUS BIT 2.2	MM751CC4	6
- MEM BUS BIT 2.7	MM751CC5	8
- MEM BUS BIT 2.3	MM751CL2	9
- MEM BUS BIT 2.4	MM751CL3	11
- MEM BUS BIT 2.5	MM751CL4	12
- MEM BUS BIT 2.6	MM751CL5	14
- MEM BUS BIT C.3	MM752CC2	15
- MEM BUS BIT C.4	MM752CC3	17
- MEM BUS BIT C.1	MM752CC4	18
- MEM BUS BIT C.2	MM752CC5	20
- MEM BUS BIT 3.0	MM753CC2	21
- MEM BUS BIT 3.1	MM753CC3	23
- MEM BUS BIT 3.2	MM753CC4	24
- MEM BUS BIT 3.7	MM753CC5	26
- MEM BUS BIT 3.3	MM753CL2	27
- MEM BUS BIT 3.4	MM753CL3	29
- MEM BUS BIT 3.5	MM753CL4	30
- MEM BUS BIT 3.6	MM753CL5	32
+ MEM ADDR 0.0	MM754BA6	33
+ MEM ADDR 0.2	MM754BC6	35
+ MEM ADDR 0.4	MM754BE6	36
+ MEM ADDR 0.6	MM754BG6	38
+ MEM ADDR 0.1	MM754EB6	39
+ MEM ADDR 0.3	MM754ED6	41
+ MEM ADDR 0.5	MM754EF6	42
- CHIP SELECT	MM754EH6	44
- REFRESH	MM754EK6	45
- MEM BUS BIT 0.0	MM761CC2	47
- MEM BUS BIT 0.1	MM761CC3	48
- MEM BUS BIT 0.2	MM761CC4	50
- MEM BUS BIT 0.7	MM761CC5	51
- MEM BUS BIT 0.3	MM761CL2	53
- MEM BUS BIT 0.4	MM761CL3	54
- MEM BUS BIT 0.5	MM761CL4	56
- MEM BUS BIT 0.6	MM761CL5	57
- MEM BUS BIT C.5	MM762CC2	59
- MEM BUS BIT C.6	MM762CC3	60
- MEM BUS BIT C.7	MM762CC4	62
- MEM BUS BIT C.8	MM762CC5	63
- MEM BUS BIT 1.0	MM763CC2	65
- MEM BUS BIT 1.1	MM763CC3	66
- MEM BUS BIT 1.2	MM763CC4	68
- MEM BUS BIT 1.7	MM763CC5	69
- MEM BUS BIT 1.3	MM763CL2	71
- MEM BUS BIT 1.4	MM763CL3	72
- MEM BUS BIT 1.5	MM763CL4	74
- MEM BUS BIT 1.6	MM763CL5	75
- MEM ADDR 0.7	MM764BA6	77
- MEM ADDR 1.1	MM764BC6	78
- MEM ADDR 1.3	MM764BE6	80
- MEM ADDR 1.5	MM764BG6	81
+ DATA OUT GATE	MM764BJ6	83
- MEM ADDR 1.0	MM764EB6	84
- MEM ADDR 1.2	MM764ED6	86
- MEM ADDR 1.4	MM764EF6	87
- WR + RD TO MEM	MM764EH6	89
- CARD SELECT HIGH 128 U2	MM764EK6	90

111 P07 GC
 111 P10
 111 P07 MEM
 111 P09

2 G08 A-B2U2

FB
 SERV#
 GND POS 111
 A-B2U2

ADDR AND CNTL

33 G12 EJ
 39 M05
 35 M02 MEM
 41 P02
 36 G09
 42 G10
 38 G07
 77 M03
 84 M04
 78 P05
 86 P04
 80 G04
 87 J12
 81 J02
 44 J06
 90 P12
 45 J11
 89 M13
 83 J04 A-B2U2

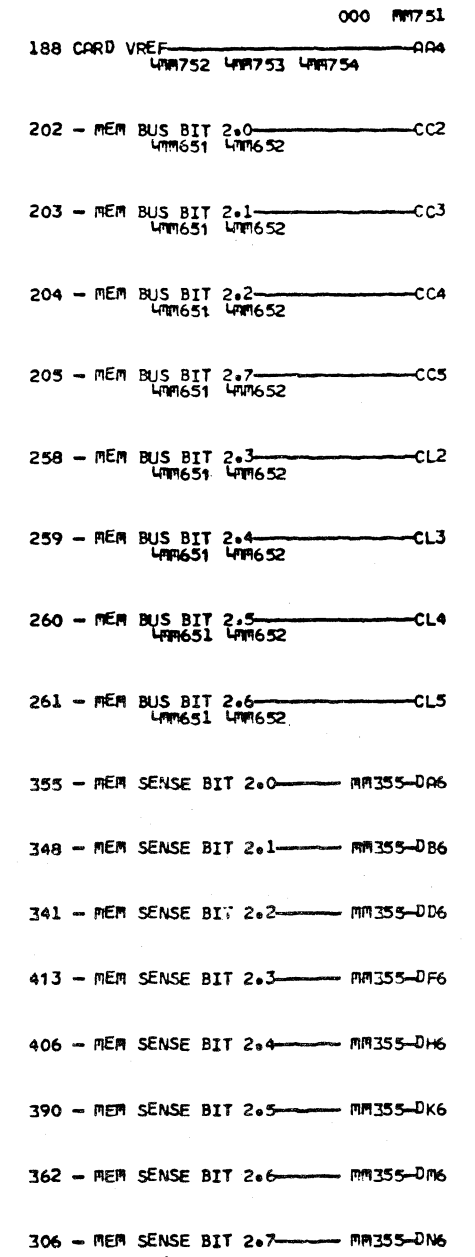
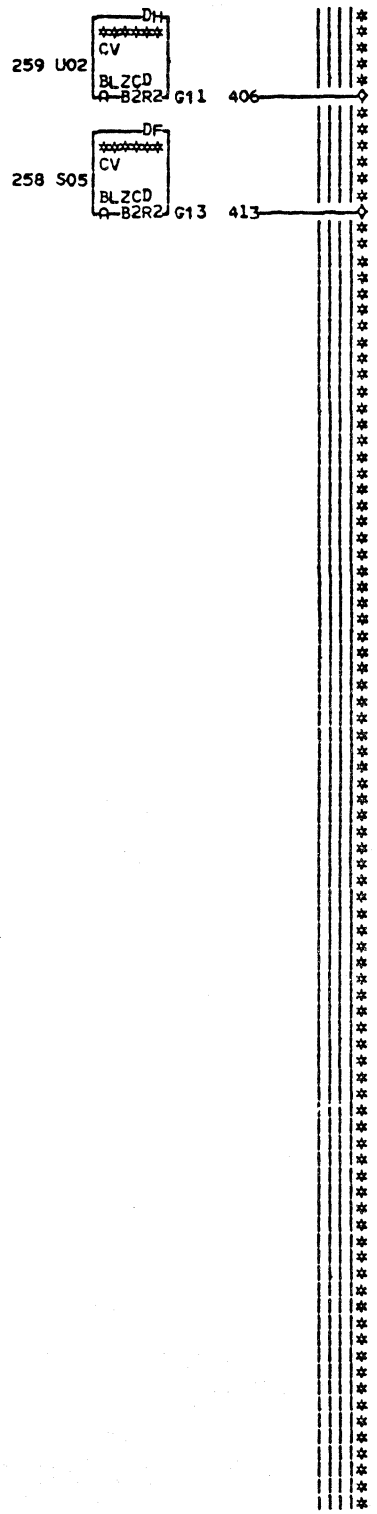
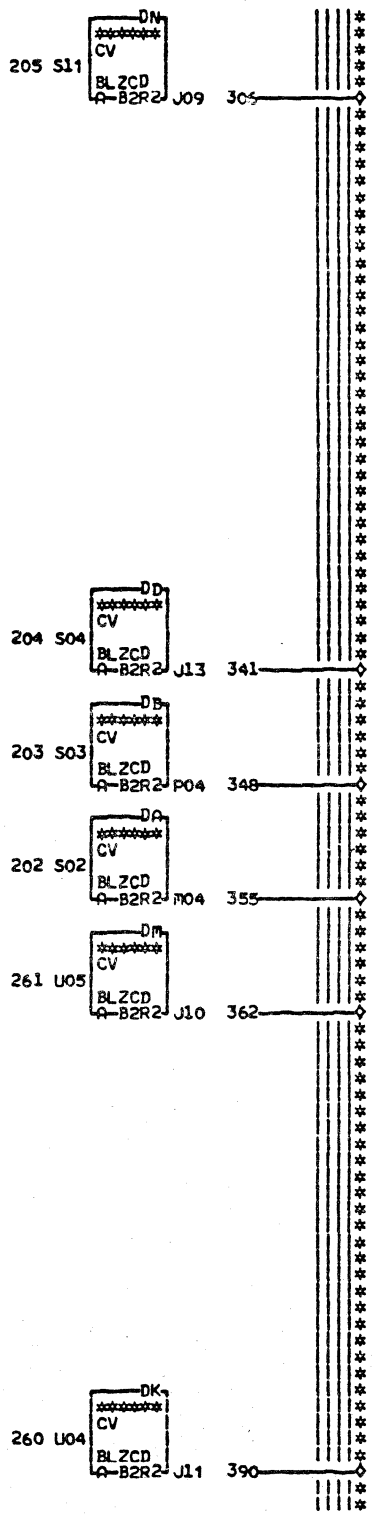
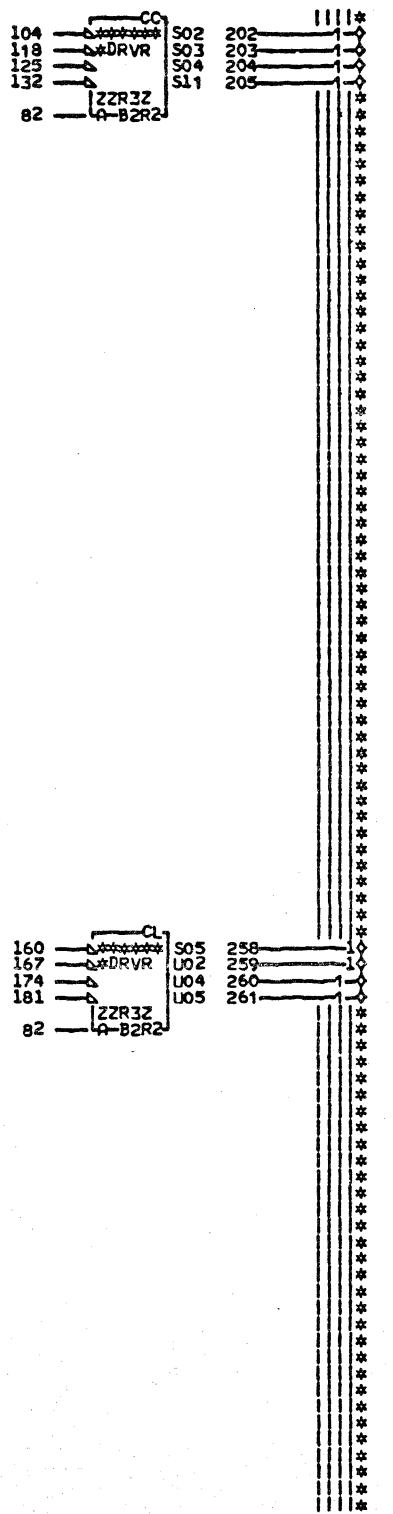
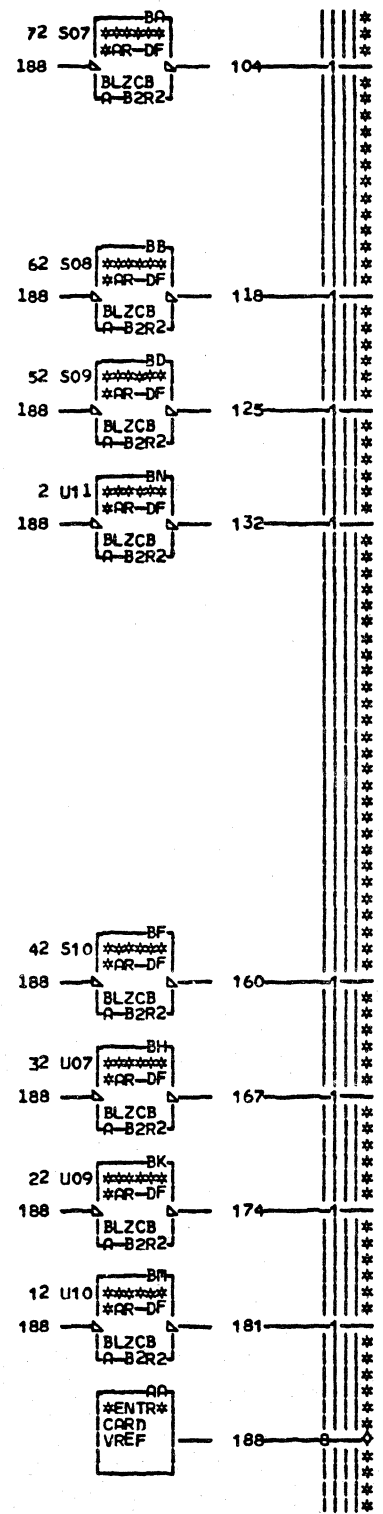
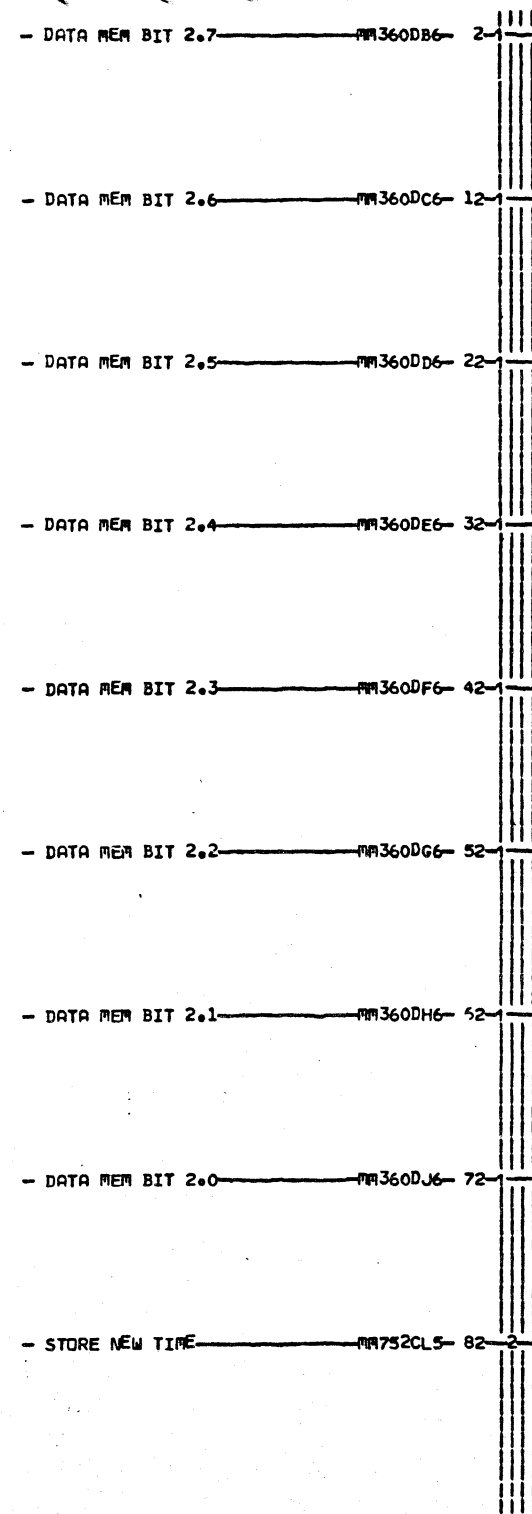
47 D11 DE
 48 D12
 50 D13 MEM
 53 G03
 54 S02
 56 S03
 57 S04
 51 S05
 65 S07
 66 S08
 68 S09
 71 S10
 72 S12
 74 S13
 75 U02
 69 U04
 18 U07
 20 U09
 15 U05
 17 U06
 59 U10
 60 U11
 62 U12
 63 U13 A-B2U2

DATA
 3 B02 DB
 5 B03
 6 B04 MEM
 9 B05
 11 B07
 12 B08
 14 B09
 8 B10
 21 B12
 23 D02
 24 D04
 27 D05
 29 D06
 30 D07
 32 D09
 26 D10 A-B2U2

IDC TYPE

MM652
 000

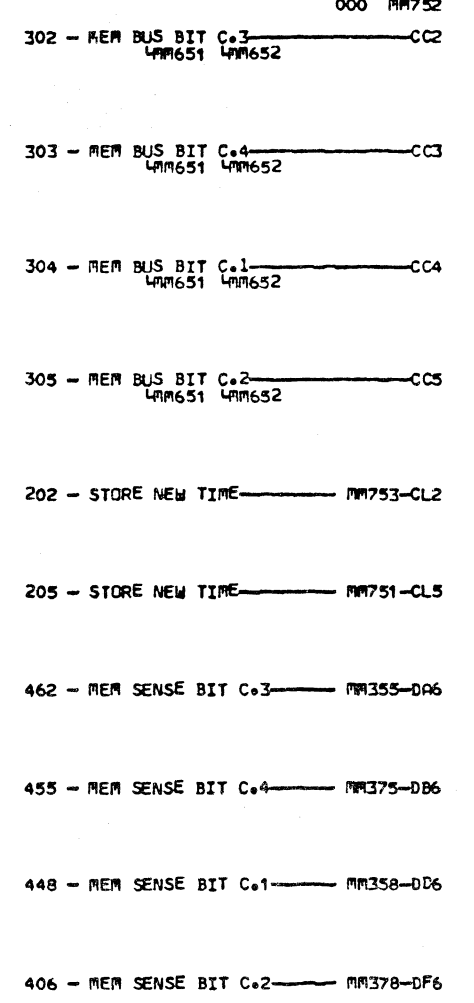
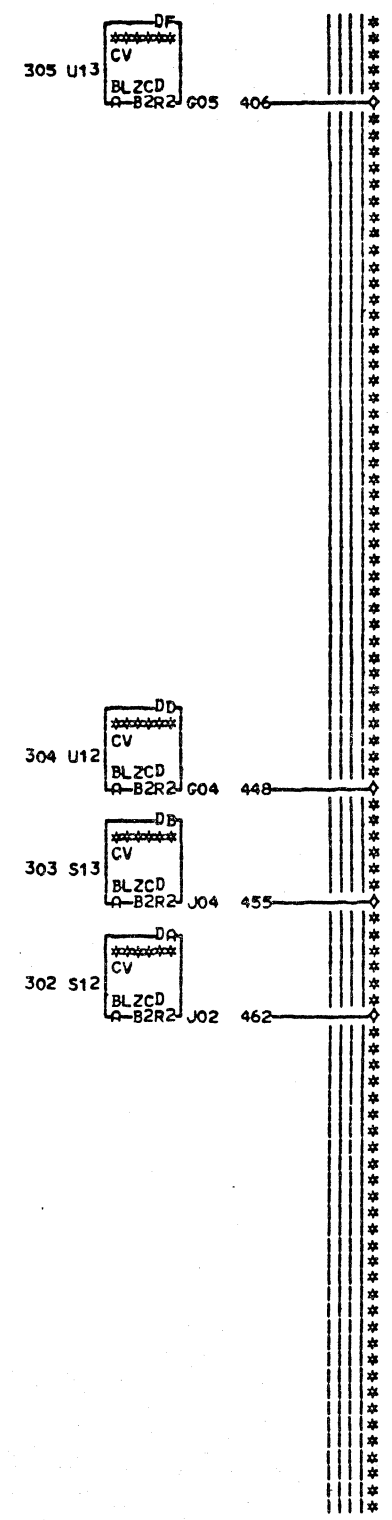
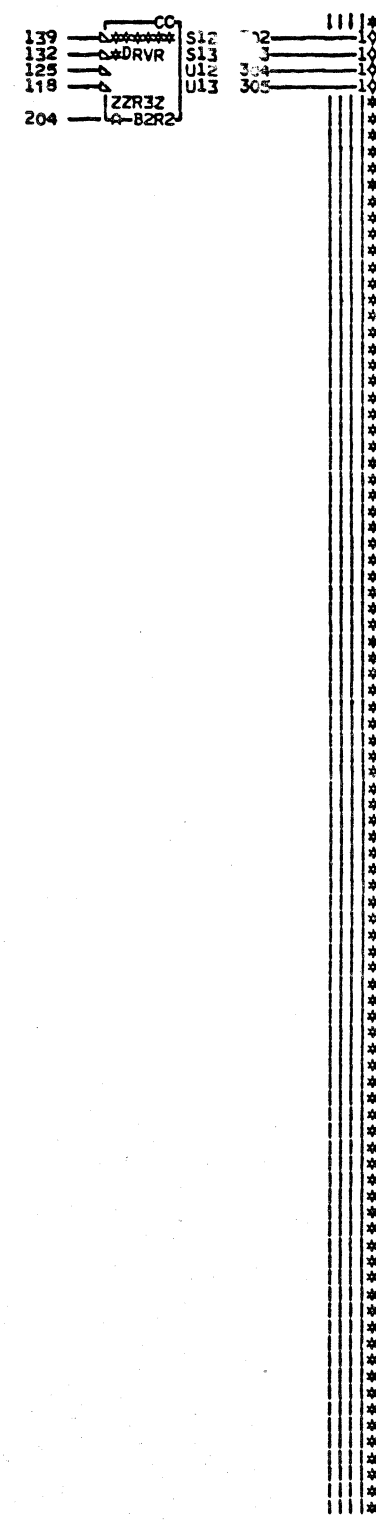
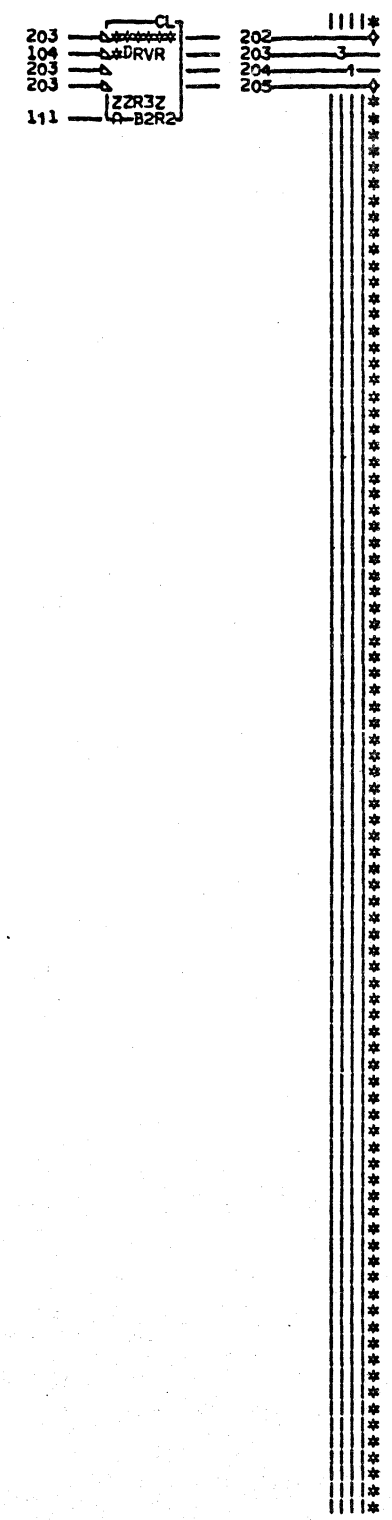
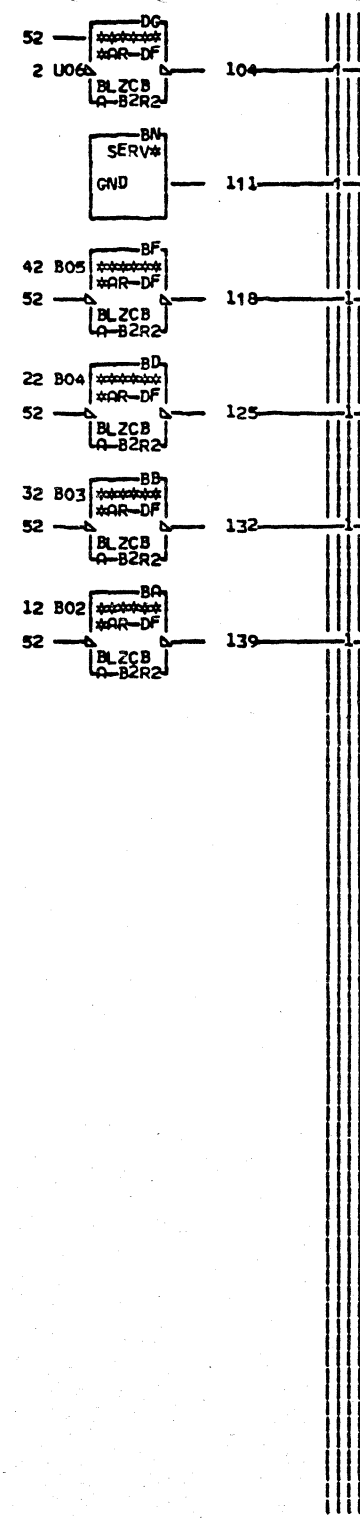
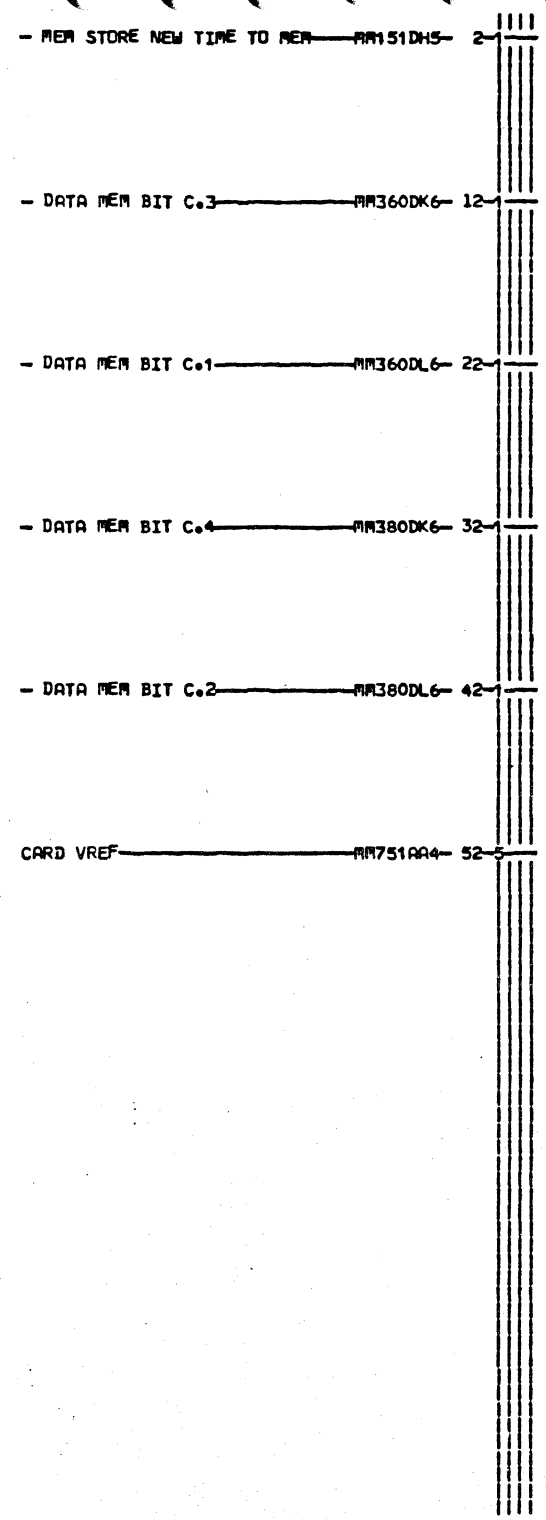
MEMORY CARD HIGH 128K			
BYTES			
E.C. HISTORY E, MACH. 3705			
		FRAME	01
		IBM CORP. SCD	MM652
DATE	LAST EC	P.No.	8550036 000
08-29-80	344276		



LOC. TYPE
 A-B2R2 C600

MM751
 000

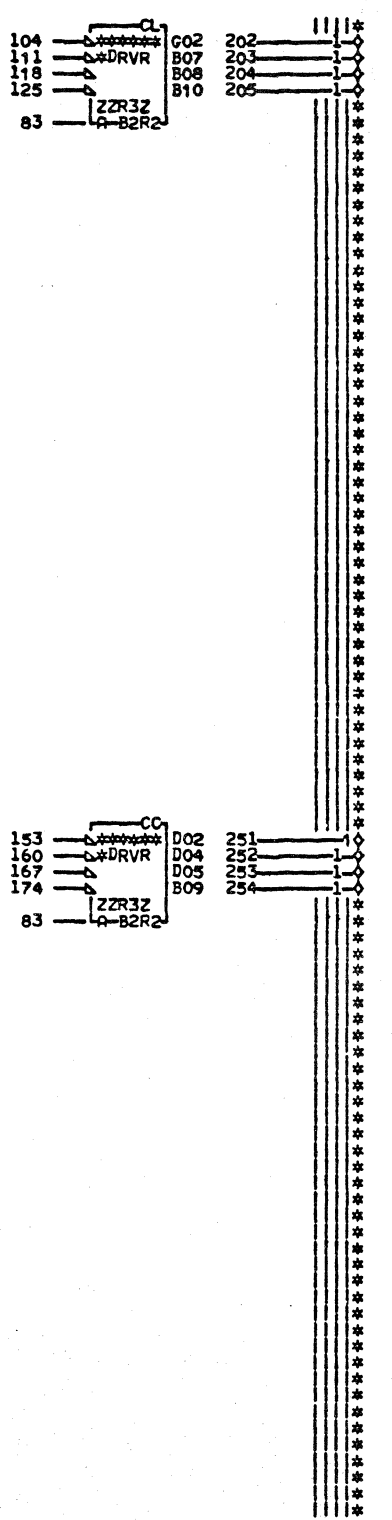
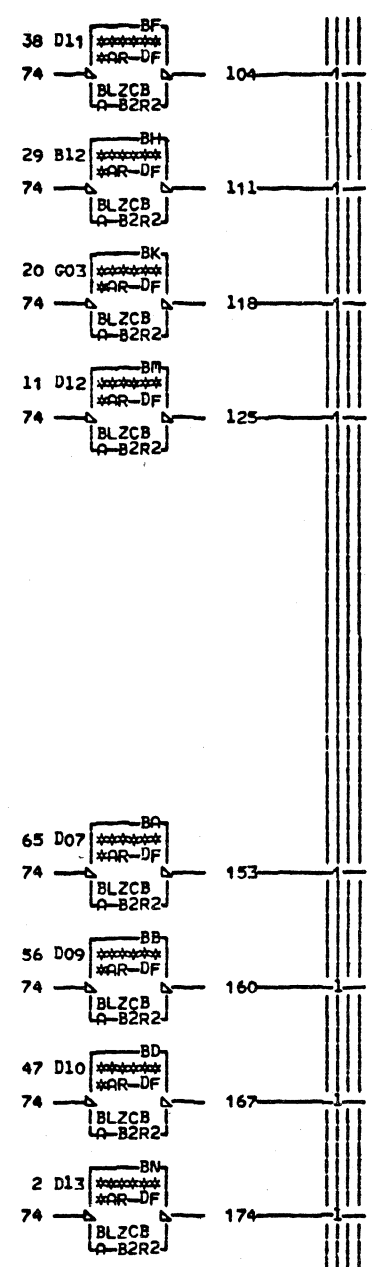
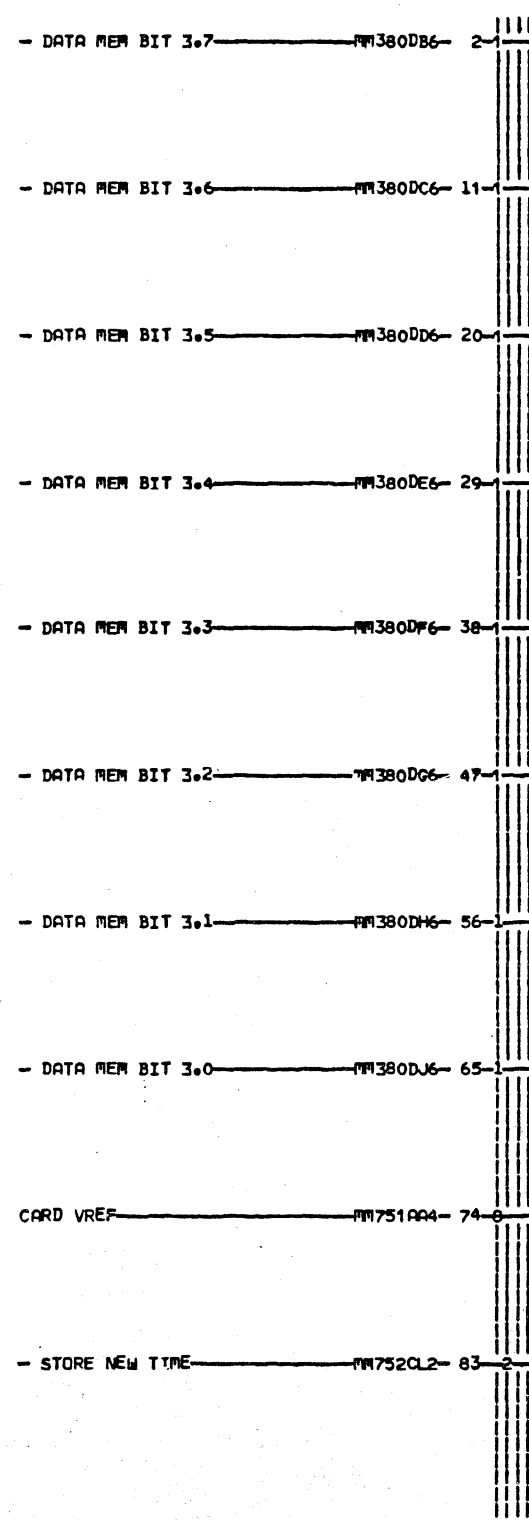
MEMORY BUS DRIVER/RCV
 CONVERTERS BYTE 2
 E.C. HISTORY — P. MACH. 3705
 FRAME 01
 IBM CORP. SCD MM751
 DATE LAST EC 08-29-80 344276 P.No. 8550037 000



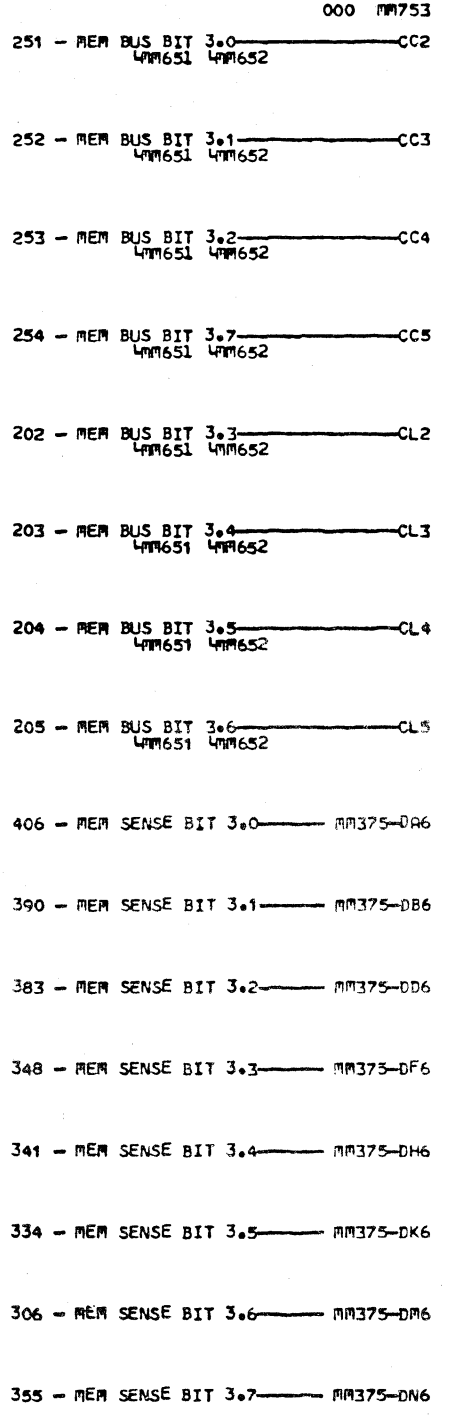
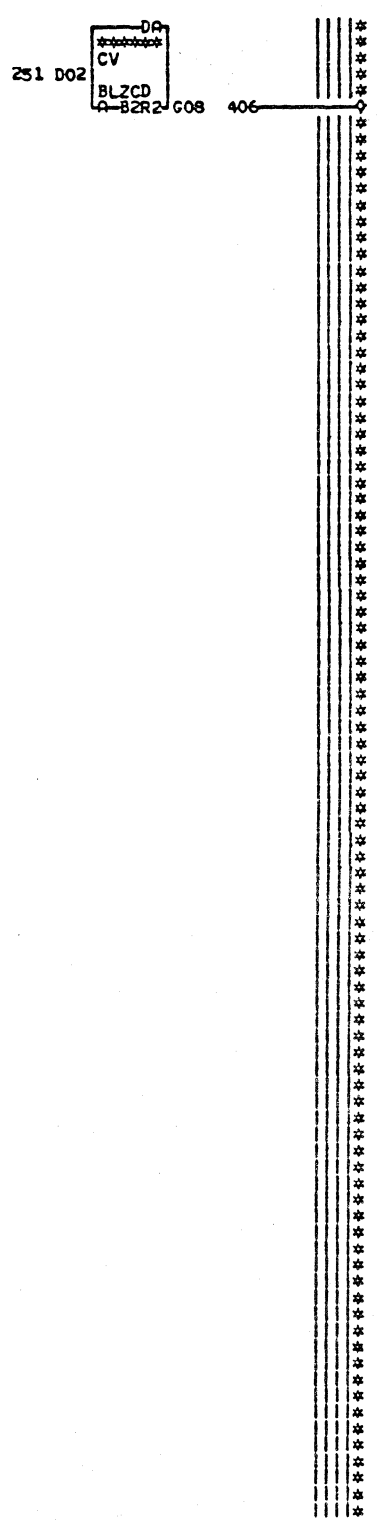
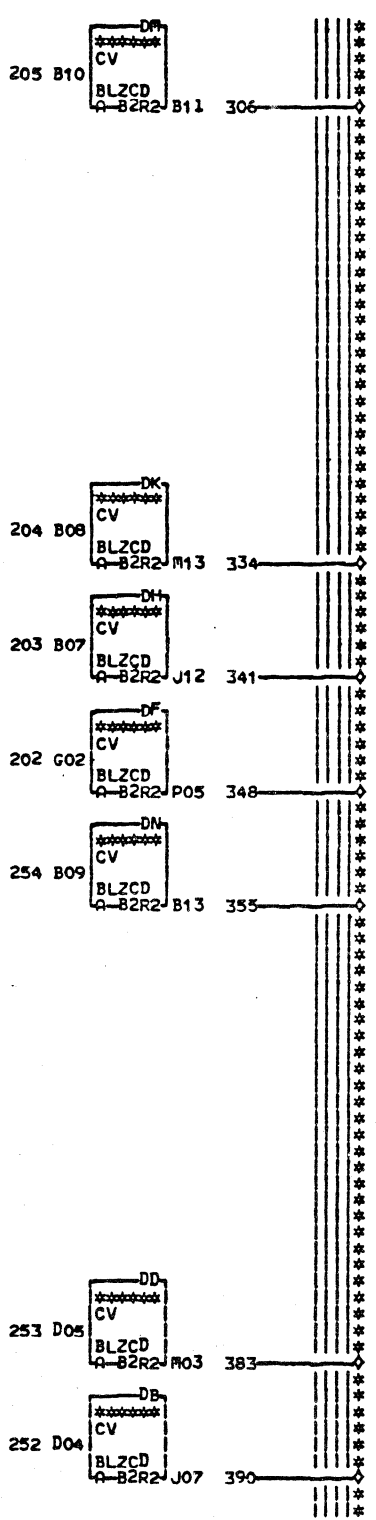
LOC. TYPE
A-B2R2 CG00

MM752
000

MEMORY BUS DRIVER/RCV CONVERTERS C1-C4 E.C. HISTORY E. MACH. 3705	
FRAME	01
IBM CORP. SCD	MM752
DATE LAST EC	08-29-80 344276
P.N.	8550036 000



LDC. TYPE
A-B2R2 CG00



MM753
000

MEMORY BUS DRIVER/RCV CONVERTERS BYTE 3	
E.C. HISTORY — E. MACH. 3705	
DATE	LAST EC
08-29-80	344276
FRAME	01
IBN CORP. SCD	MM753
P. No. 8550039	000

+ SAR BIT X.7 MM451DE7- 2

- SAR/REF TO CONV 0.6 MM452GA2- 10

- SAR/REF TO CONV 0.5 MM452GC2- 18

- SAR/REF TO CONV 0.4 MM452GE2- 26

- SAR/REF TO CONV 0.3 MM452GG2- 34

- SAR/REF TO CONV 0.2 MM452GH2- 42

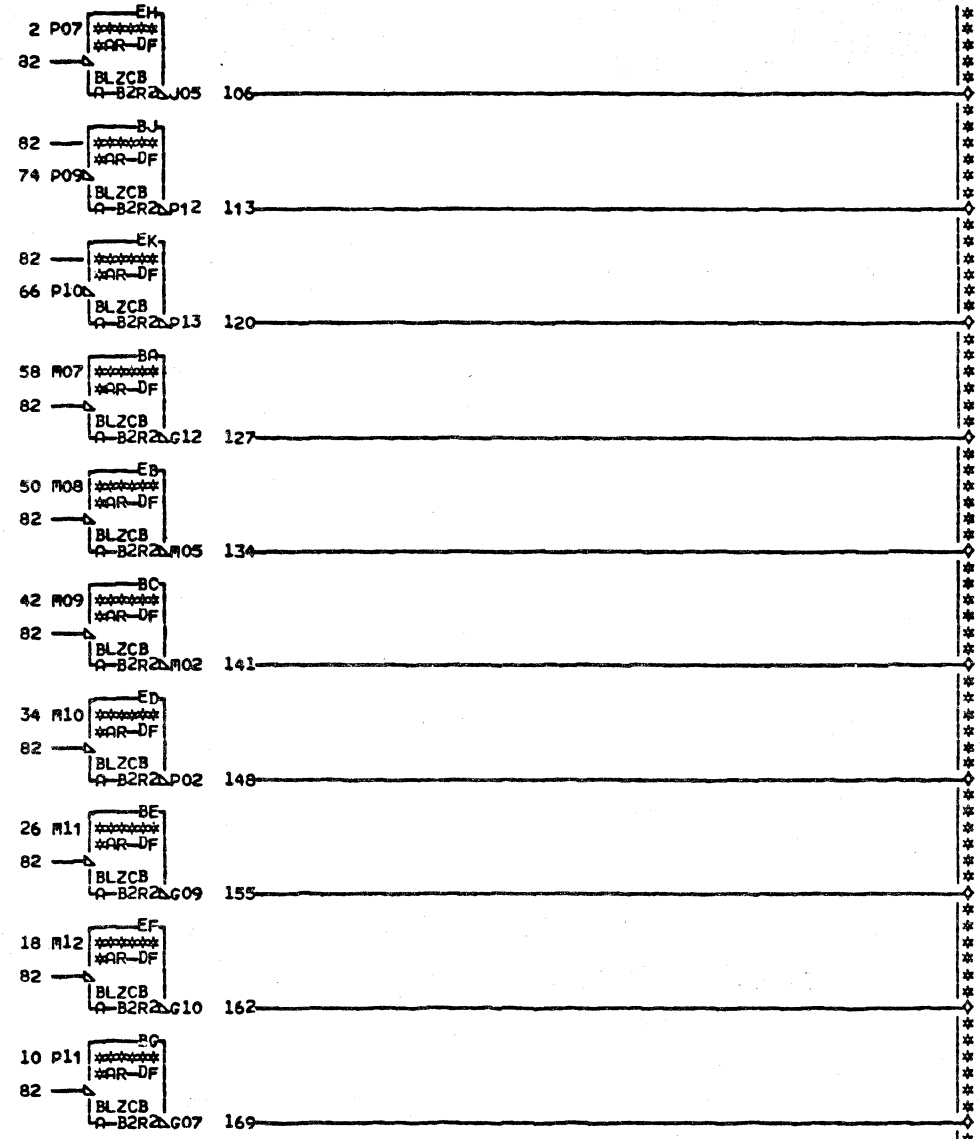
- SAR/REF TO CONV 0.1 MM452GK2- 50

- SAR/REF TO CONV 0.0 MM452GM2- 58

- REFRESH SELECT BOTH CARDS MM453FK6- 66

- CARD SELECT LOW T2 CARD MM453GG2- 74

CARD VREF MM751AA4- 82



127 + MEM ADDR 0.0 MM651 MM652 BA6

141 + MEM ADDR 0.2 MM651 MM652 BC6

155 + MEM ADDR 0.4 MM651 MM652 BE6

169 + MEM ADDR 0.6 MM651 MM652 BG6

113 - CARD SELECT LOW 128 T2- MM651-BJ6

134 + MEM ADDR 0.1 MM651 MM652 EB6

148 + MEM ADDR 0.3 MM651 MM652 ED6

162 + MEM ADDR 0.5 MM651 MM652 EF6

106 - CHIP SELECT MM651 MM652 EH6

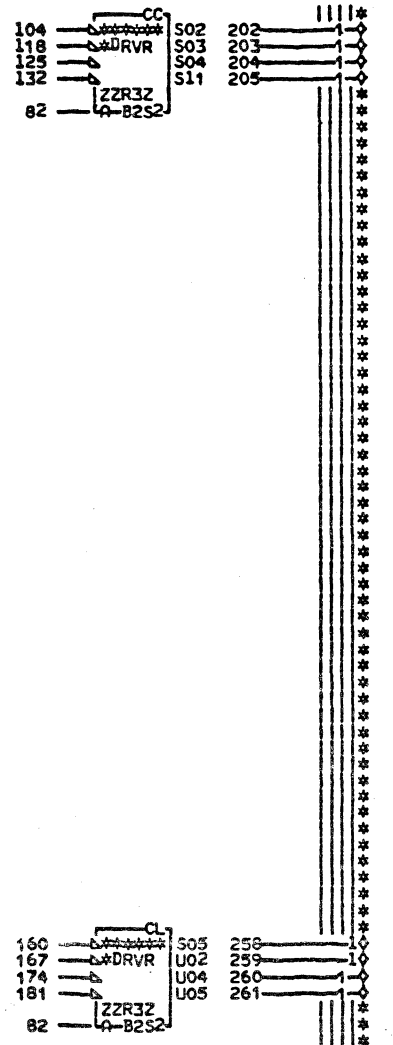
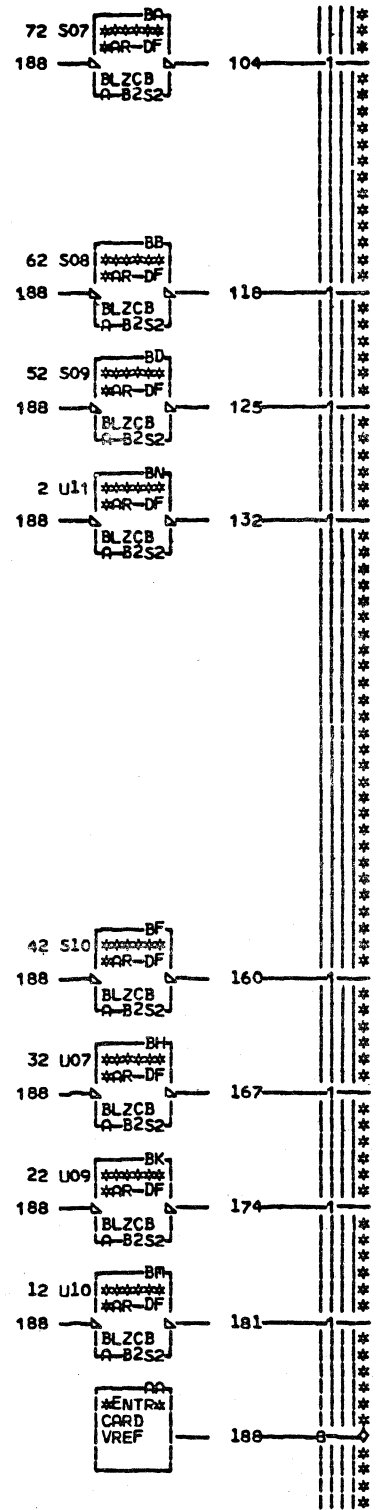
120 - REFRESH MM651 MM652 EK6

LOC. TYPE
A-B2R2 CG00

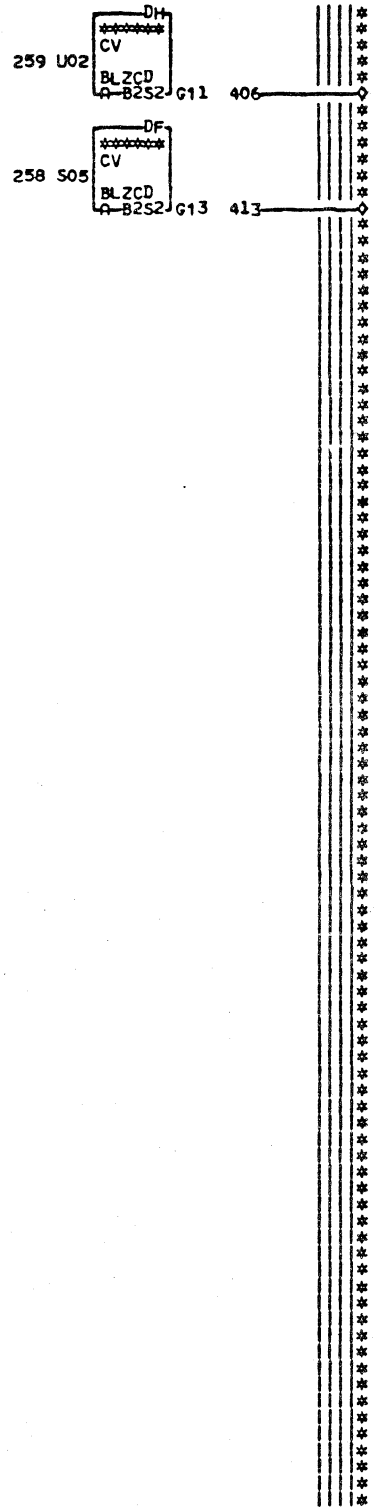
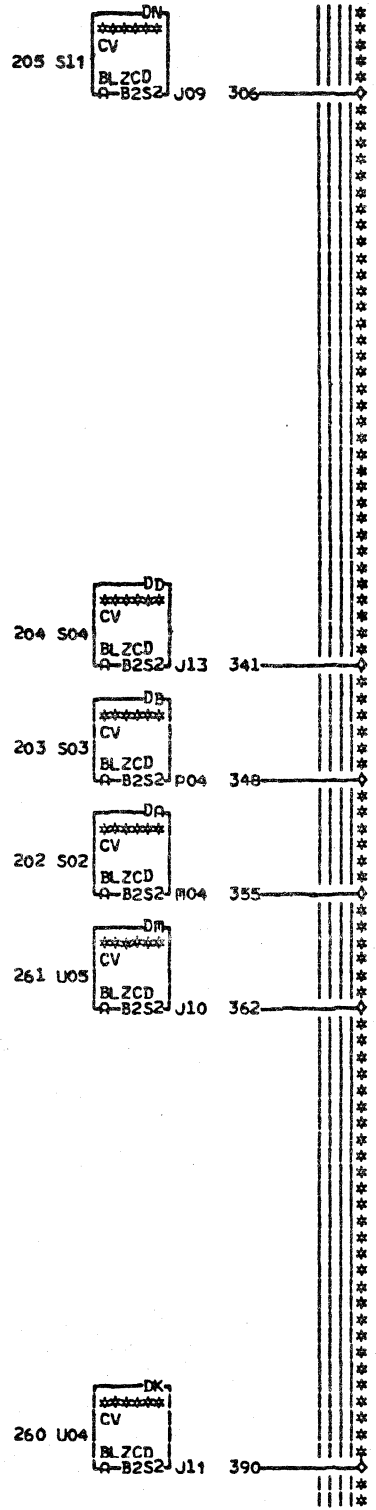
MM754
000

CONVERTED ADDRESS AND SPECIAL BITS TO MEM			
E.C. HISTORY		E. MACH. 3705	
DATE	LAST EC	FRAME	01
08-29-80	344276	IBM CORP.	MM754
		P.N. 8550040	000

- DATA MEM BIT 0.7 — MM361DB6 — 2
 - DATA MEM BIT 0.6 — MM361DC6 — 12
 - DATA MEM BIT 0.5 — MM361DD6 — 22
 - DATA MEM BIT 0.4 — MM361DE6 — 32
 - DATA MEM BIT 0.3 — MM361DF6 — 42
 - DATA MEM BIT 0.2 — MM361DG6 — 52
 - DATA MEM BIT 0.1 — MM361DH6 — 62
 - DATA MEM BIT 0.0 — MM361DJ6 — 72
 - STORE NEW TIME — MM762CL5 — 82



LOC. TYPE
A-B2S2 CG00



000 MM761

188 CARD VREF — MM762 MM763 MM764 — AA

202 — MEM BUS BIT 0.0 — CC2

203 — MEM BUS BIT 0.1 — CC3

204 — MEM BUS BIT 0.2 — CC4

205 — MEM BUS BIT 0.7 — CC5

258 — MEM BUS BIT 0.3 — CL2

259 — MEM BUS BIT 0.4 — CL3

260 — MEM BUS BIT 0.5 — CL4

261 — MEM BUS BIT 0.6 — CL5

355 — MEM SENSE BIT 0.0 — MM356-DA6

348 — MEM SENSE BIT 0.1 — MM356-DB6

341 — MEM SENSE BIT 0.2 — MM356-DD6

413 — MEM SENSE BIT 0.3 — MM356-DF6

406 — MEM SENSE BIT 0.4 — MM356-DH6

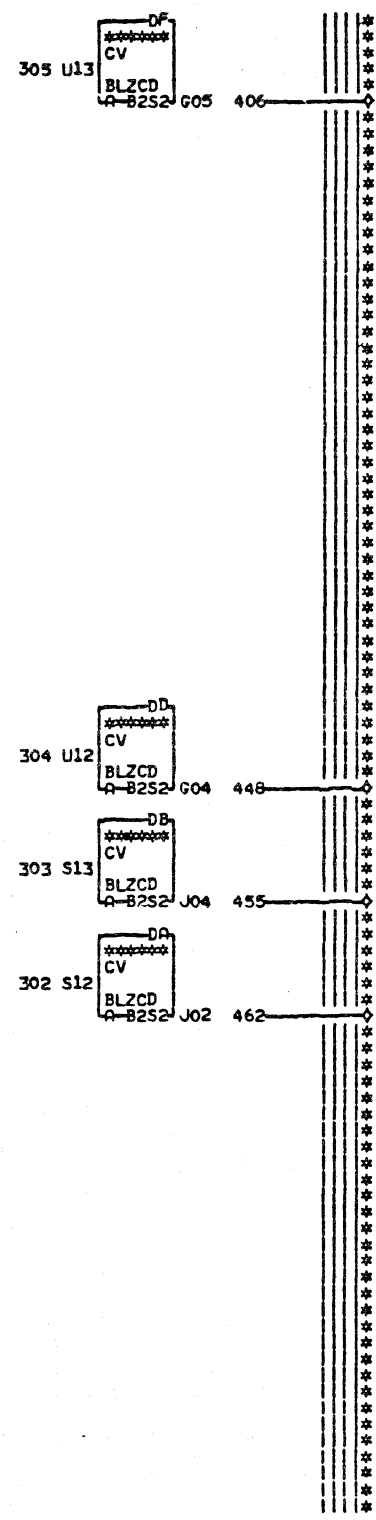
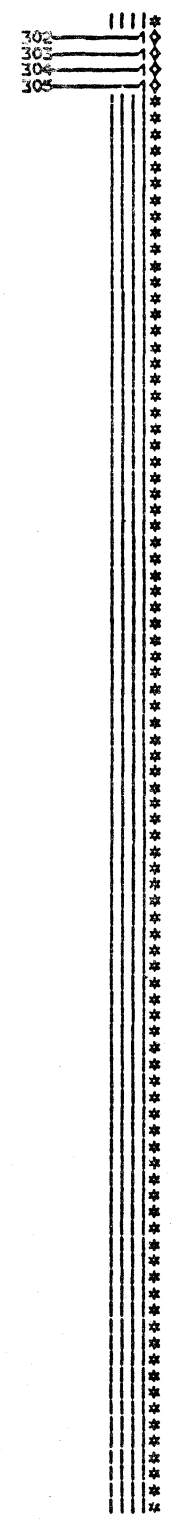
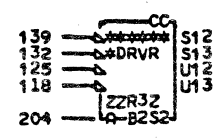
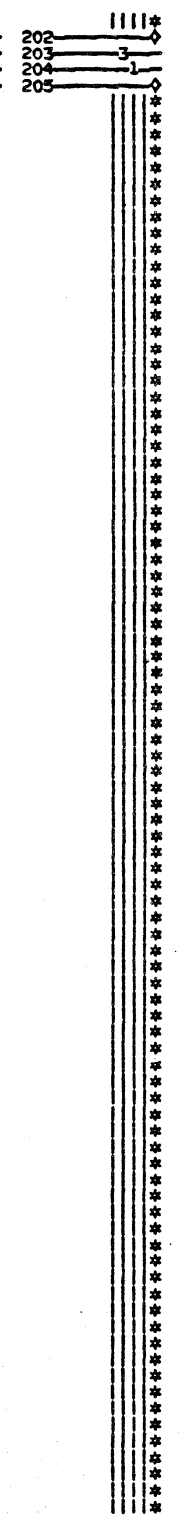
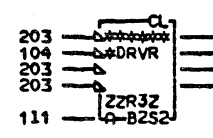
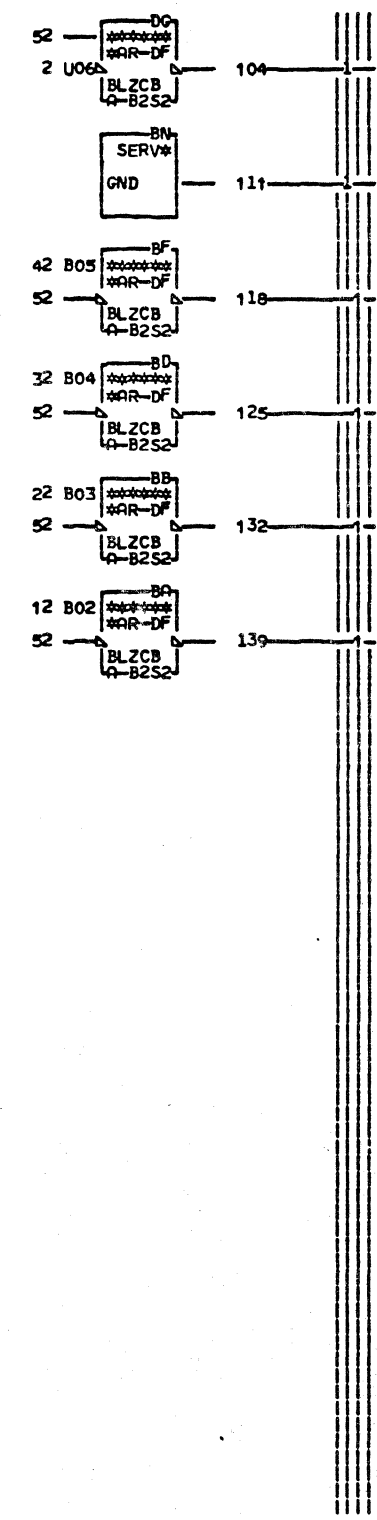
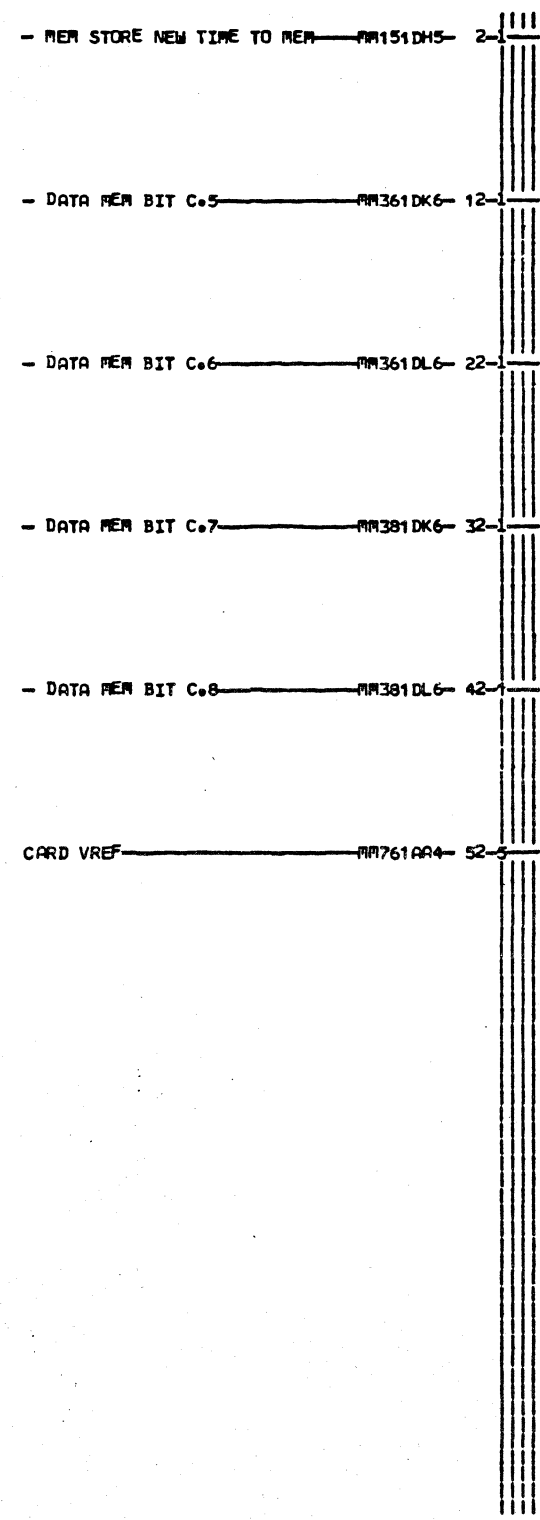
390 — MEM SENSE BIT 0.5 — MM356-DK6

362 — MEM SENSE BIT 0.6 — MM356-DM6

306 — MEM SENSE BIT 2.7 — MM356-DN6

MM761
000

MEMORY BUS DRIVER/RCV	CONVERTERS BYTE 0	E.C.-HISTORY	MACH.3705
		FRAME	01
DATE LAST EC	08-29-80 344276	IBM CORP. SCD	MM761
		P.No. 8550041	000

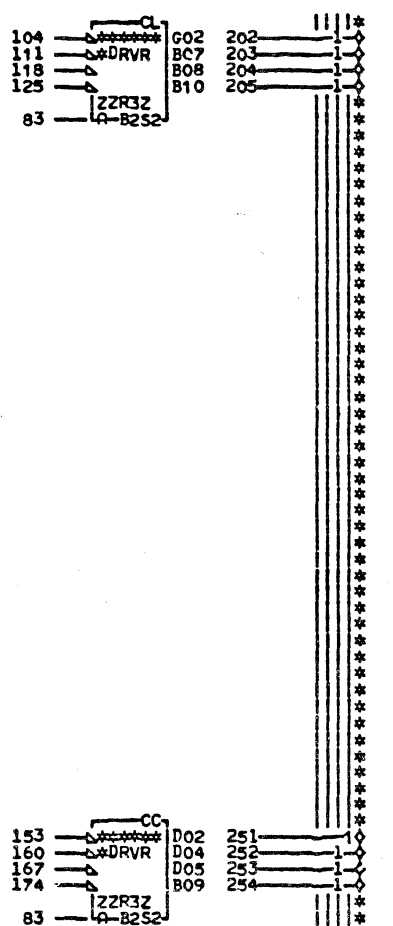
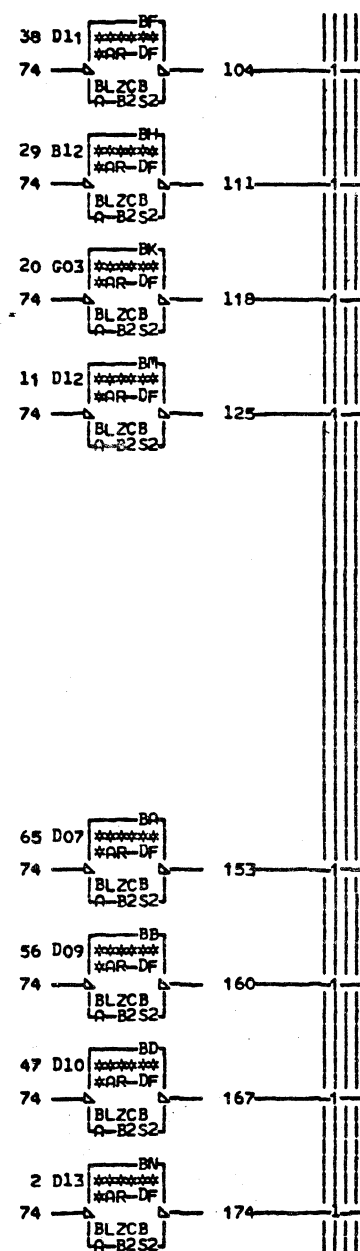


LOC. TYPE
A-B2S2 CG00

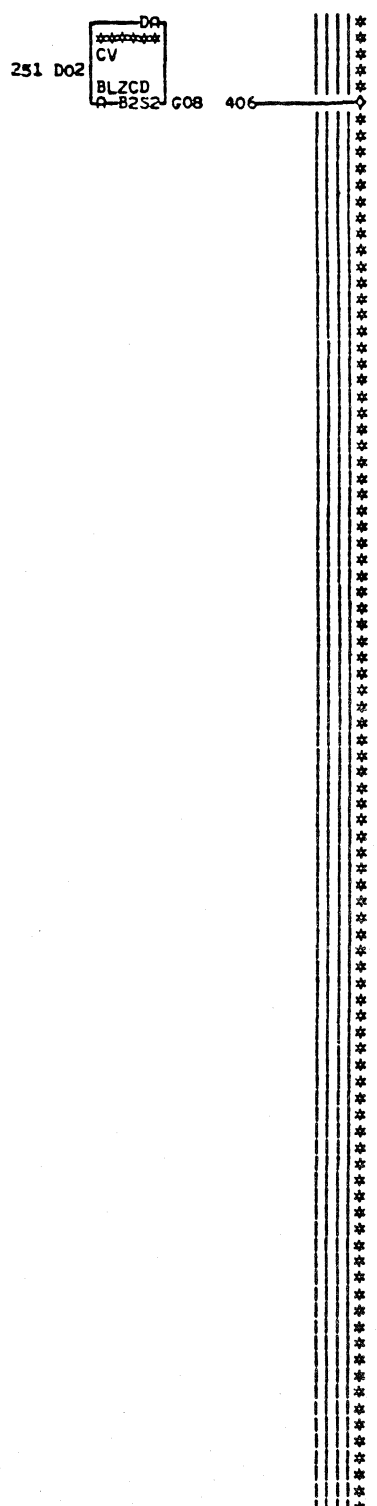
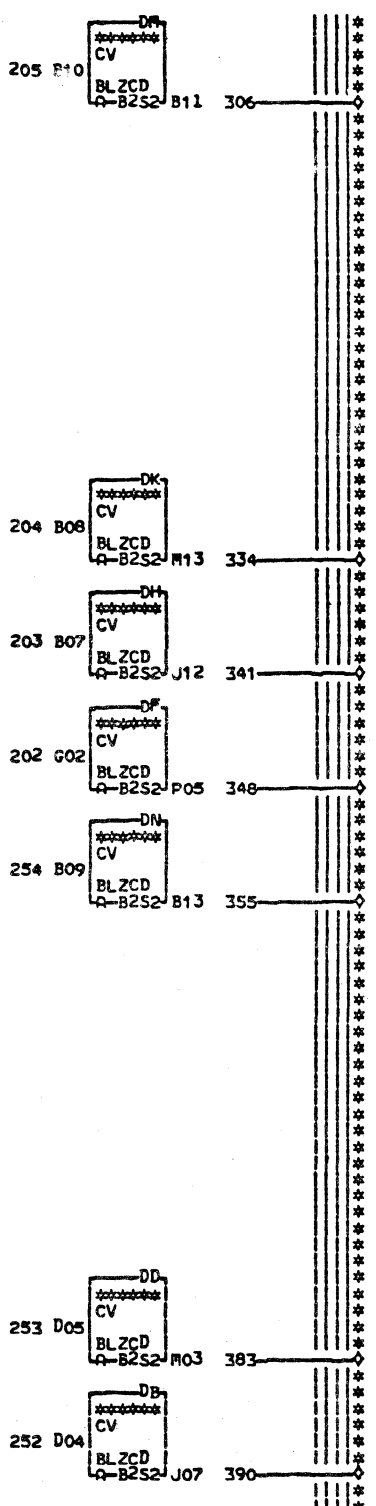
MM762
000

MEMORY BUS DRIVER/RCV CONVERTERS C5-C8 E.C. HISTORY E-MACH.3705	
DATE LAST EC 08-29-80 344276	FRAME 01 IBM CORP. SCD MM762 P.N. 8550042 000

- DATA MEM BIT 1.7 — MM381DB6 — 2
 - DATA MEM BIT 1.6 — MM381DC6 — 11
 - DATA MEM BIT 1.5 — MM381DD6 — 20
 - DATA MEM BIT 1.4 — MM381DE6 — 29
 - DATA MEM BIT 1.3 — MM381DF6 — 38
 - DATA MEM BIT 1.2 — MM381DG6 — 47
 - DATA MEM BIT 1.1 — MM381DH6 — 56
 - DATA MEM BIT 1.0 — MM381DJ6 — 65
 CARD VREF — MM761AA4 — 74
 - STORE NEW TIME — MM762CL2 — 83



LOC. TYPE
A-B2S2 C600



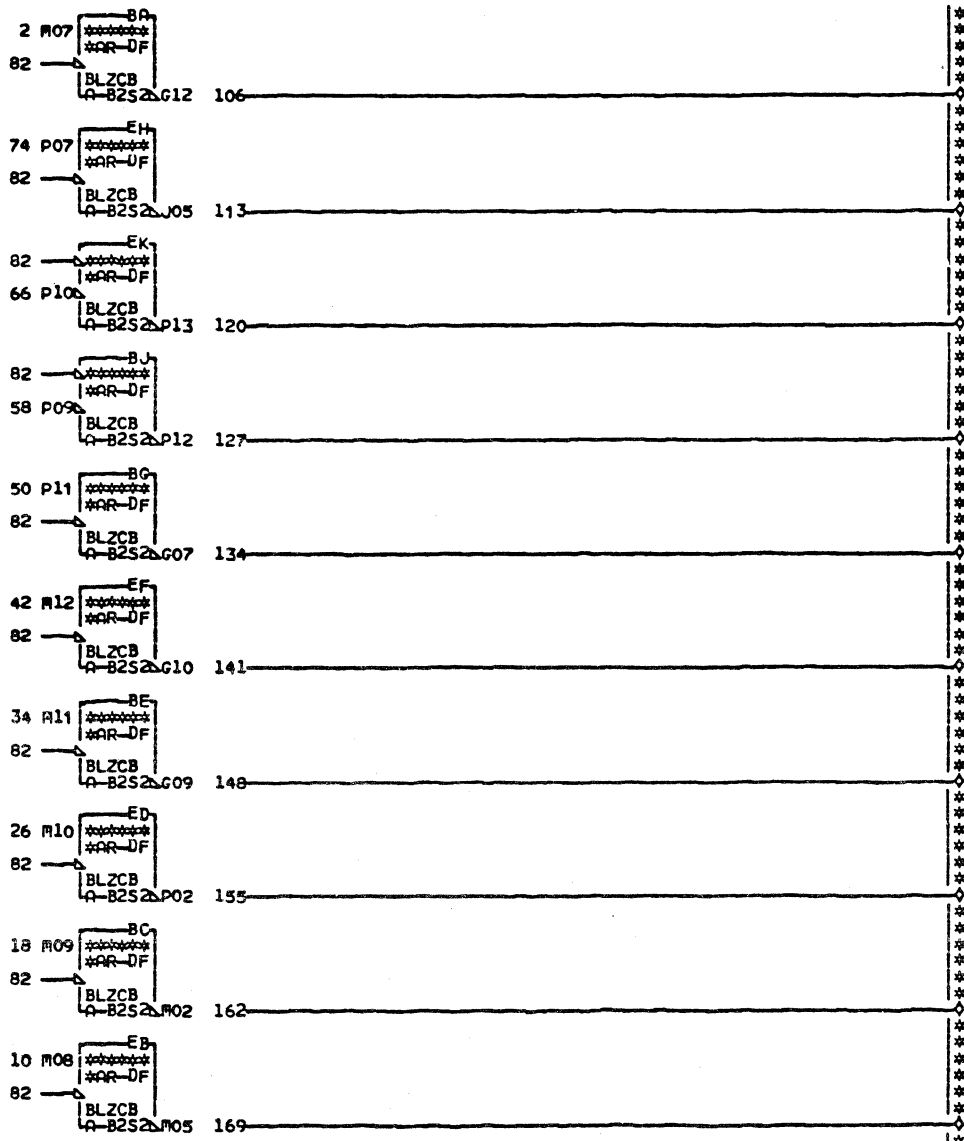
000 MM763

251 - MEM BUS BIT 1.0 — CC2
 252 - MEM BUS BIT 1.1 — CC3
 253 - MEM BUS BIT 1.2 — CC4
 254 - MEM BUS BIT 1.7 — CC5
 202 - MEM BUS BIT 1.3 — CL2
 203 - MEM BUS BIT 1.4 — CL3
 204 - MEM BUS BIT 1.5 — CL4
 205 - MEM BUS BIT 1.6 — CL5
 406 - MEM SENSE BIT 1.0 — MM376-DA6
 390 - MEM SENSE BIT 1.1 — MM376-DB6
 383 - MEM SENSE BIT 1.2 — MM376-DD6
 348 - MEM SENSE BIT 1.3 — MM376-DF6
 341 - MEM SENSE BIT 1.4 — MM376-DH6
 334 - MEM SENSE BIT 1.5 — MM376-DK6
 306 - MEM SENSE BIT 1.6 — MM376-DM6
 355 - MEM SENSE BIT 1.7 — MM376-DN6

MM763
000

MEMORY BUS DRIVER/RCV CONVERTERS BYTE 1	
E.C.HISTORY	E.MACH.3705
FRAME	01
DATE	LAST EC
08-29-80	344276
P.N.	8550043
	000

+ SAR BIT 0.7 MM451BB2- 2
 + SAR BIT 1.0 MM451BB4- 10
 + SAR BIT 1.1 MM451BB5- 18
 + SAR BIT 1.2 MM451BB6- 26
 + SAR BIT 1.3 MM451BB8- 34
 + SAR BIT 1.4 MM451DE1- 42
 + SAR BIT 1.5 MM451DE2- 50
 + DATA OUT GATE BOTH CARDS MM453FC2- 58
 - CARD SELECT HIGH U2 CARD MM453GH2- 66
 + WR-RD MM463BF2- 74
 CARD VREF MM761AA4- 82



000 MM764

106 - MEM ADDR 0.7 MM651 MM652 BA6
 162 - MEM ADDR 1.1 MM651 MM652 EC6
 148 - MEM ADDR 1.3 MM651 MM652 BE6
 134 - MEM ADDR 1.5 MM651 MM652 BG6
 127 + DATA OUT GATE MM651 MM652 BJ6
 169 - MEM ADDR 1.0 MM651 MM652 EB6
 155 - MEM ADDR 1.2 MM651 MM652 ED6
 141 - MEM ADDR 1.4 MM651 MM652 EF6
 113 - WR + RD TO MEM MM651 MM652 EH6
 120 - CARD SELECT HIGH 128 U2 MM652-EK6

LDC. TYPE
A-B2S2 CG00

MM764
000

CONVERTED ADDRES AND SPECIAL BITS TO MEM		E.C. HISTORY		E. MACH. 3705	
DATE	LAST EC	FRAME	01	IBM CORP.	MM764
08-29-80	344276	P.N.	8550044	000	