



Maintenance Library

3803

**Tape Control
Models 1,2 and 3
Parts catalog**

PREFACE

This Parts Catalog (PC), 3803
Tape Control, Models 1,2 and 3
order number S132-0004-4, contains
information released by Engineering
on or before August 2, 1976.

Fifth Edition (August 2, 1976)

This is a major revision of and makes obsolete S132-0004-3. The entire manual has been revised and updated to reflect the latest engineering changes.

Significant changes or additions to the specifications contained in this publication are continually being made. When using this publication in connection with the operation of IBM equipment, contact the local IBM Branch Office for revisions.

Copies of this and other IBM publications can be obtained through IBM Branch Offices.

Send your comments regarding this catalog to the address below.

This manual was prepared by the IBM General Products Division, Engineering Graphics and Publishing, Department E47, San Jose, California 95193.

© Copyright International Business Machines Corporation 1971,
1973, 1976

3803 CONTENTS

ASSEMBLY NAME	FIG.	PAGE	ASSEMBLY NAME	FIG.	PAGE
HOW TO USE THIS PARTS CATALOG		iv	CABLE ASMS AND COMPONENTS (4 SHEETS)	25	40
CATALOG ORGANIZATION			COOLING ASM, GATE	8	28
EXAMPLE OF ORDERING A PART			COVER ASM, FRONT	14	38
FINDING A PART			COVER GROUP, 3803	1	2
			COVER ASM, LOGIC (DOUBLE LATCH)	9	30
			COVER ASM, LOGIC (SINGLE LATCH)	10	31
			COVER ASM, REAR	12	34
GLOSSARY		v	COVER ASM, SIDE	13	36
			FAN ASM, D.C. POWER SUPPLY	4	20
			FINAL ASM, COVER HARDWARE VIEW	2	6
VISUAL INDEXES			FINAL ASM, FRONT VIEW (SHEET 1 OF 3)	3	10
VISUAL INDEX I			FINAL ASM, REAR VIEW (SHEET 2 OF 3)	3	14
(COVER VIEW)		vi	FINAL ASM, GATE VIEW (SHEET 3 OF 3)	3	16
VISUAL INDEX II			GATE ASM, AUXILIARY	7	26
(FINAL ASM VIEW)		vii	METER GROUP, USER	6	24
VISUAL INDEX III			PANEL ASM, C.E.	11	32
(GATE VIEW)		viii	PANEL ASM, OPERATOR	5	22
CATALOG SECTION			NUMERICAL INDEX		X1

HOW TO USE THIS PARTS CATALOG

WHEN ASSEMBLY NAME IS KNOWN

(Use the Contents Page.)

Each assembly is listed, alphabetically, by basic name.

By name, locate the assembly containing the required part.

Each assembly name indicates the figure and page number location within the catalog section.

WHEN ASSEMBLY LOCATION IS KNOWN

(Use the Visual Index.)

The Visual Index illustrates each assembly and mounting location.

Locate the picture of the assembly containing the part.

Each assembly is identified by an item number. See associated list for figure, name, and page number.

WHEN PART NUMBER IS KNOWN

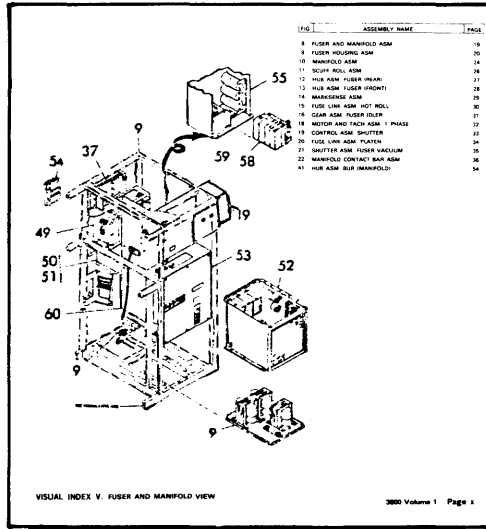
(Use the Numerical Index.)

Located after the Catalog Section (page X1), this index lists all part numbers sequentially shown in the catalog section.

Locate the required part number.

Each part number indicates the figure and item number location in the catalog section.

ASSEMBLY NAME	FIG	PAGE	ASSEMBLY NAME	FIG	PAGE
HOW TO USE THIS PARTS CATALOG					
CATALOG ORGANIZATION					
EXAMPLE OF INCLUDING A PART			AIR GATE ASM DRUM	5	13
INDEXING A PART			ARM ASM COVER LET	7	5
			BALANCING ADJUSTMENT ASM DRUM REAR	11	34
			BALANCING ADJUSTMENT ASM DRUM FRONT	18	35
			BASE ASM TORQUE ARM DRIVE	75	43
			BLOWER AND MOTOR ASM	31	55
			BOND ASM POWER STRAP	61	57
			BRACK (COMPONENT GROUP-H SHEETS)	98	106
			CHARNOG HOUSING ASM	22	46
			CLEANER ASM (2 SHEETS)	12	34
			CONTROLER ASM HEATER	44	86
			COOLING HOUSING ASM	17	31
			CORONA ASM CHARGE	11	42
			CORONA ASM PRECLEAN	66	84
			CORONA HOUSING ASM CHARGE	16	42
			COVER ASM PRINT HEAD FRONT	6	18
			COVER ASM PRINT HEAD TOP	47	89
			COVER ASM PROCESS LEFT FRONT UPPER	72	90
			COVER ASM PROCESS RIGHT FRONT	73	90
			COVER ASM PROCESS LEFT REAR	74	91
			COVER ASM PROCESS RIGHT REAR	75	92
			COVER ASM PUNCH BRUSH	34	54
			COVER GROUP SUBSYSTEM APPROX	1	3
			COVER GROUP PROCESS ASM (2 SHEETS)	2	4
			COVER-ARM ASM CLEANER BRUSH	61	85
			CYCLONE ASM	28	52
			DEVELOPER ASM SCAN START	18	11
			DEVELOPER ASM (2 SHEETS)	7	22
			DEVELOPER MAG MOUNT TSG ASM FRONT	61	89
			DEVELOPER HOUSING ASM	53	74
			DRUM ASM DRIVE	88	86
			DRUM ASM BRUSH	33	54
			DRUM ASM (2 SHEETS)	11	32
			ELECTROMAGNET ASM DEVELOPER	54	75
			FILTER HOUSING ASM AMMUNITION	73	47
			FILTER HOUSING ASM TRANSDUCER SCAVENGER	3	8
			FINAL ASM PROCESS (2 SHEETS)	5	12
			FINAL ASM PROCESS DRUM VIEW (2 SHT)	4	10
			FOLLOWER ASM METERING	62	86
NUMERICAL INDEX					



ITEM NO	PART NUMBER	QTY	DESCRIPTION	NOTE
50	NA	1	PROCESS FINAL ASM	A
51	118424	1	FOR DETAIL BREAKDOWN SEE FIG 3 3 AND 4	A
52	118425	1	FOR DETAIL BREAKDOWN SEE FIG 3 3 AND 4	A
53	118426	1	FOR DETAIL BREAKDOWN SEE FIG 3 3 AND 4	A
54	118427	1	FOR DETAIL BREAKDOWN SEE FIG 3 3 AND 4	A
55	118428	1	FOR DETAIL BREAKDOWN SEE FIG 3 3 AND 4	A
56	118429	1	FOR DETAIL BREAKDOWN SEE FIG 3 3 AND 4	A
57	118430	1	FOR DETAIL BREAKDOWN SEE FIG 3 3 AND 4	A
58	118431	1	FOR DETAIL BREAKDOWN SEE FIG 3 3 AND 4	A
59	118432	1	FOR DETAIL BREAKDOWN SEE FIG 3 3 AND 4	A
60	118433	1	FOR DETAIL BREAKDOWN SEE FIG 3 3 AND 4	A
61	118434	1	FOR DETAIL BREAKDOWN SEE FIG 3 3 AND 4	A
62	118435	1	FOR DETAIL BREAKDOWN SEE FIG 3 3 AND 4	A
63	118436	1	FOR DETAIL BREAKDOWN SEE FIG 3 3 AND 4	A
64	118437	1	FOR DETAIL BREAKDOWN SEE FIG 3 3 AND 4	A
65	118438	1	FOR DETAIL BREAKDOWN SEE FIG 3 3 AND 4	A
66	118439	1	FOR DETAIL BREAKDOWN SEE FIG 3 3 AND 4	A
67	118440	1	FOR DETAIL BREAKDOWN SEE FIG 3 3 AND 4	A
68	118441	1	FOR DETAIL BREAKDOWN SEE FIG 3 3 AND 4	A
69	118442	1	FOR DETAIL BREAKDOWN SEE FIG 3 3 AND 4	A
70	118443	1	FOR DETAIL BREAKDOWN SEE FIG 3 3 AND 4	A
71	118444	1	FOR DETAIL BREAKDOWN SEE FIG 3 3 AND 4	A
72	118445	1	FOR DETAIL BREAKDOWN SEE FIG 3 3 AND 4	A
73	118446	1	FOR DETAIL BREAKDOWN SEE FIG 3 3 AND 4	A
74	118447	1	FOR DETAIL BREAKDOWN SEE FIG 3 3 AND 4	A
75	118448	1	FOR DETAIL BREAKDOWN SEE FIG 3 3 AND 4	A
76	118449	1	FOR DETAIL BREAKDOWN SEE FIG 3 3 AND 4	A
77	118450	1	FOR DETAIL BREAKDOWN SEE FIG 3 3 AND 4	A
78	118451	1	FOR DETAIL BREAKDOWN SEE FIG 3 3 AND 4	A
79	118452	1	FOR DETAIL BREAKDOWN SEE FIG 3 3 AND 4	A
80	118453	1	FOR DETAIL BREAKDOWN SEE FIG 3 3 AND 4	A
81	118454	1	FOR DETAIL BREAKDOWN SEE FIG 3 3 AND 4	A
82	118455	1	FOR DETAIL BREAKDOWN SEE FIG 3 3 AND 4	A
83	118456	1	FOR DETAIL BREAKDOWN SEE FIG 3 3 AND 4	A
84	118457	1	FOR DETAIL BREAKDOWN SEE FIG 3 3 AND 4	A
85	118458	1	FOR DETAIL BREAKDOWN SEE FIG 3 3 AND 4	A
86	118459	1	FOR DETAIL BREAKDOWN SEE FIG 3 3 AND 4	A
87	118460	1	FOR DETAIL BREAKDOWN SEE FIG 3 3 AND 4	A
88	118461	1	FOR DETAIL BREAKDOWN SEE FIG 3 3 AND 4	A
89	118462	1	FOR DETAIL BREAKDOWN SEE FIG 3 3 AND 4	A
90	118463	1	FOR DETAIL BREAKDOWN SEE FIG 3 3 AND 4	A
91	118464	1	FOR DETAIL BREAKDOWN SEE FIG 3 3 AND 4	A
92	118465	1	FOR DETAIL BREAKDOWN SEE FIG 3 3 AND 4	A
93	118466	1	FOR DETAIL BREAKDOWN SEE FIG 3 3 AND 4	A
94	118467	1	FOR DETAIL BREAKDOWN SEE FIG 3 3 AND 4	A
95	118468	1	FOR DETAIL BREAKDOWN SEE FIG 3 3 AND 4	A
96	118469	1	FOR DETAIL BREAKDOWN SEE FIG 3 3 AND 4	A
97	118470	1	FOR DETAIL BREAKDOWN SEE FIG 3 3 AND 4	A
98	118471	1	FOR DETAIL BREAKDOWN SEE FIG 3 3 AND 4	A
99	118472	1	FOR DETAIL BREAKDOWN SEE FIG 3 3 AND 4	A
100	118473	1	FOR DETAIL BREAKDOWN SEE FIG 3 3 AND 4	A

WHEN FIGURE NUMBER IS KNOWN

(Use the ILLUSTRATION.)

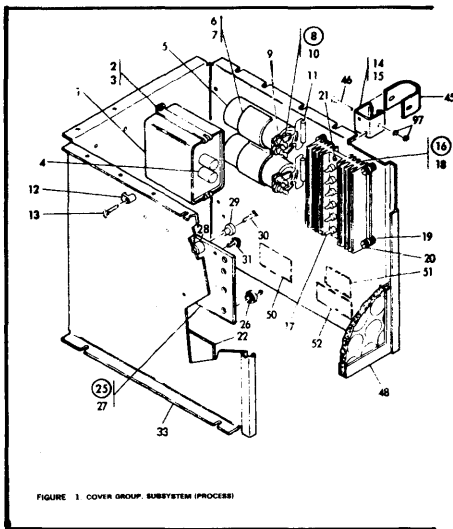
Shown are all parts related to the assembly also how and where they physically mount.

Locate the required part and its item number.

Associated with each illustration is a listing. Locate the item number. The part number, quantity, description and necessary notes are provided.

For associated parts not shown and mounting location see next higher assembly.

For definition of terms used in the listing See Glossary (page iv).



ITEM NO	PART NUMBER	QTY	DESCRIPTION	NOTE
50	NA	1	PROCESS FINAL ASM	A
51	118424	1	FOR DETAIL BREAKDOWN SEE FIG 3 3 AND 4	A
52	118425	1	FOR DETAIL BREAKDOWN SEE FIG 3 3 AND 4	A
53	118426	1	FOR DETAIL BREAKDOWN SEE FIG 3 3 AND 4	A
54	118427	1	FOR DETAIL BREAKDOWN SEE FIG 3 3 AND 4	A
55	118428	1	FOR DETAIL BREAKDOWN SEE FIG 3 3 AND 4	A
56	118429	1	FOR DETAIL BREAKDOWN SEE FIG 3 3 AND 4	A
57	118430	1	FOR DETAIL BREAKDOWN SEE FIG 3 3 AND 4	A
58	118431	1	FOR DETAIL BREAKDOWN SEE FIG 3 3 AND 4	A
59	118432	1	FOR DETAIL BREAKDOWN SEE FIG 3 3 AND 4	A
60	118433	1	FOR DETAIL BREAKDOWN SEE FIG 3 3 AND 4	A
61	118434	1	FOR DETAIL BREAKDOWN SEE FIG 3 3 AND 4	A
62	118435	1	FOR DETAIL BREAKDOWN SEE FIG 3 3 AND 4	A
63	118436	1	FOR DETAIL BREAKDOWN SEE FIG 3 3 AND 4	A
64	118437	1	FOR DETAIL BREAKDOWN SEE FIG 3 3 AND 4	A
65	118438	1	FOR DETAIL BREAKDOWN SEE FIG 3 3 AND 4	A
66	118439	1	FOR DETAIL BREAKDOWN SEE FIG 3 3 AND 4	A
67	118440	1	FOR DETAIL BREAKDOWN SEE FIG 3 3 AND 4	A
68	118441	1	FOR DETAIL BREAKDOWN SEE FIG 3 3 AND 4	A
69	118442	1	FOR DETAIL BREAKDOWN SEE FIG 3 3 AND 4	A
70	118443	1	FOR DETAIL BREAKDOWN SEE FIG 3 3 AND 4	A
71	118444	1	FOR DETAIL BREAKDOWN SEE FIG 3 3 AND 4	A
72	118445	1	FOR DETAIL BREAKDOWN SEE FIG 3 3 AND 4	A
73	118446	1	FOR DETAIL BREAKDOWN SEE FIG 3 3 AND 4	A
74	118447	1	FOR DETAIL BREAKDOWN SEE FIG 3 3 AND 4	A
75	118448	1	FOR DETAIL BREAKDOWN SEE FIG 3 3 AND 4	A
76	118449	1	FOR DETAIL BREAKDOWN SEE FIG 3 3 AND 4	A
77	118450	1	FOR DETAIL BREAKDOWN SEE FIG 3 3 AND 4	A
78	118451	1	FOR DETAIL BREAKDOWN SEE FIG 3 3 AND 4	A
79	118452	1	FOR DETAIL BREAKDOWN SEE FIG 3 3 AND 4	A
80	118453	1	FOR DETAIL BREAKDOWN SEE FIG 3 3 AND 4	A
81	118454	1	FOR DETAIL BREAKDOWN SEE FIG 3 3 AND 4	A
82	118455	1	FOR DETAIL BREAKDOWN SEE FIG 3 3 AND 4	A
83	118456	1	FOR DETAIL BREAKDOWN SEE FIG 3 3 AND 4	A
84	118457	1	FOR DETAIL BREAKDOWN SEE FIG 3 3 AND 4	A
85	118458	1	FOR DETAIL BREAKDOWN SEE FIG 3 3 AND 4	A
86	118459	1	FOR DETAIL BREAKDOWN SEE FIG 3 3 AND 4	A
87	118460	1	FOR DETAIL BREAKDOWN SEE FIG 3 3 AND 4	A
88	118461	1	FOR DETAIL BREAKDOWN SEE FIG 3 3 AND 4	A
89	118462	1	FOR DETAIL BREAKDOWN SEE FIG 3 3 AND 4	A
90	118463	1	FOR DETAIL BREAKDOWN SEE FIG 3 3 AND 4	A
91	118464	1	FOR DETAIL BREAKDOWN SEE FIG 3 3 AND 4	A
92	118465	1	FOR DETAIL BREAKDOWN SEE FIG 3 3 AND 4	A
93	118466	1	FOR DETAIL BREAKDOWN SEE FIG 3 3 AND 4	A
94	118467	1	FOR DETAIL BREAKDOWN SEE FIG 3 3 AND 4	A
95	118468	1	FOR DETAIL BREAKDOWN SEE FIG 3 3 AND 4	A
96	118469	1	FOR DETAIL BREAKDOWN SEE FIG 3 3 AND 4	A
97	118470	1	FOR DETAIL BREAKDOWN SEE FIG 3 3 AND 4	A
98	118471	1	FOR DETAIL BREAKDOWN SEE FIG 3 3 AND 4	A
99	118472	1	FOR DETAIL BREAKDOWN SEE FIG 3 3 AND 4	A
100	118473	1	FOR DETAIL BREAKDOWN SEE FIG 3 3 AND 4	A

GLOSSARY

1 NOTE Part application or interchangeability is indicated by an alphabetic character located after the description in the note column. An explanation of each note character is located at the beginning of each list. Notes apply only to the listing in which they appear.

6 FIELD USE: Parts or assemblies that are not interchangeable either physically or functionally with present production practices, are indicated as field use.

2 NP (NON-PROCURABLE): This entry indicates the part number is non-procurable as an assembly and that all required parts should be ordered individually or the next higher assembly ordered.

7 INDENTURE (*): A dot or a series of dots located before the parts description, indicates the relationship of each part to its next higher assembly.

For example:

3 NR (NOT REPLACEABLE): This entry denotes the part is not recommended for field replacement, and that the next higher assembly must be ordered.

Indenture (No dot) (One dot) (One dot) (Two dot) (Two dot) (Three dot)	Relationship of Parts MAIN ASSEMBLY • Detail parts of main assembly • Sub assembly of main assembly • • Detail parts of one-dot sub assembly • • Sub assembly of one-dot sub assembly • • • Detail parts of two-dot sub assembly
--	--

4 AR (AS REQUIRED): Denotes the quantity varies due to the application of the part.

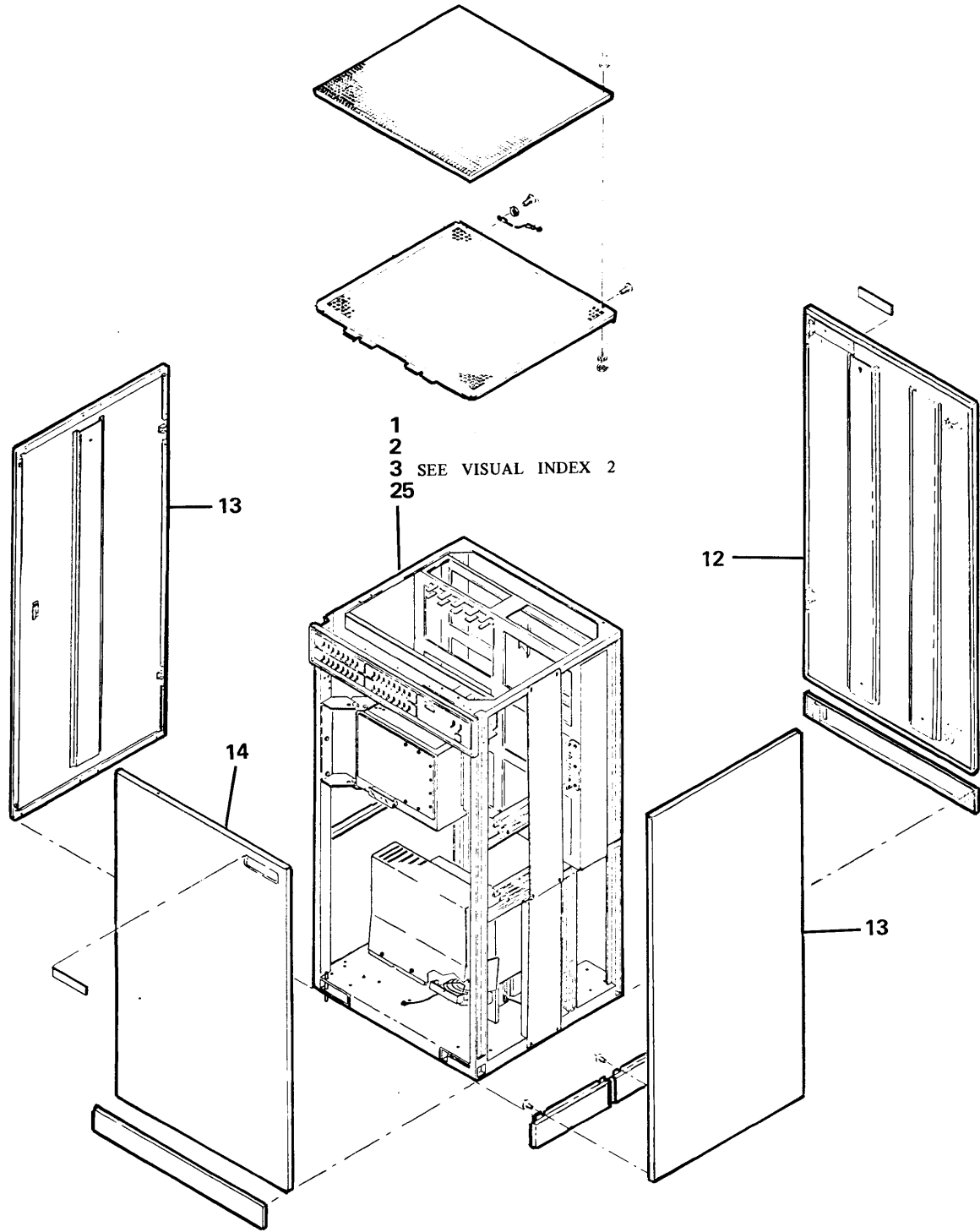
5 REF (REFERENCE): The part or assembly is repeated for reference purposes only.

LIST AND ITEM NO.	PART NUMBER	QTY	DESCRIPTION	NOTE
-------------------	-------------	-----	-------------	------

			NOTE B USED ON 60HZ ONLY NOTE C USED ON 50HZ ONLY NOTE X FIELD USE	
17 -	1574801		COOLING ASM, GATE (60 HZ)	
	NP		COOLING ASM, GATE (50HZ)	
			FOR NEXT HIGHER ASM SEE FIG. 3	
- 1	56079	(2)	• LOCKWASHER, EXT TOOTH .204 ID .410 OD	
- 2	5357059	REF	• GUARD	
- 3	32042	(2)	• SCREW, BIND HD 10-32 X .375 LG	
- 4	5357051	(1)	• FAN ASM, 208/230V 60 HZ/220V 50 HZ (EC257946)	
- 5	5357066	(1)	• • BLADE, FAN (W/SETSCREW)	
- 6	5357063	(1)	• • MOTOR ASM, 208/230V 60 HZ/ 220V 50 HZ (EC D255183)	
- 7	5357065	(1)	• • • JUMPER ASM, GROUND	
- 8	5353853	(1)	• • • RECEPTACLE, 3 POS	
- 9	5353854	(2)	• • • CONTACT, MAKE 16-20 WIRE	
- 10	5357067	(1)	• • • MOTOR	
- 10	1573506	(1)	• • • MOTOR	
- 11	56079	(2)	• • LOCKWASHER, EXT TOOTH .204 ID X .410 OD	
- 14	5357068	(1)	• • BRACKET	
- 15	120211	(2)	• • SCREW, HEX HD 10-32 X .500 LG	
- 15	56079	(2)	• • LOCKWASHER, EXT TOOTH .204 ID X .410 OD	
- 16	5357069	(1)	• • ORIFICE	
- 19	322065	(2)	• SCREW, BIND HD 6-32 X .625 LG	
- 20	56722	(1)	• LOCKWASHER, EXT TOOTH .141 ID X .320 OD	
- 21	257187	(2)	• NUT, HEX HD 6-32	
- 25	534988	(1)	• LATCH	
- 26	53571	(2)	• SCREW, PAN HD 4-40 X .187 LG	
- 27	535713	(1)	• CATCH, BULLET	
- 28	599557	(AR)	• SHIM	
- 29	5357064	(1)	• FILTER, AIR	
- 30	NR	(1)	• HOUSING	
			END OF ASSEMBLY (EC 731774A)	

FIG.	ASSEMBLY NAME	PAGE
------	---------------	------

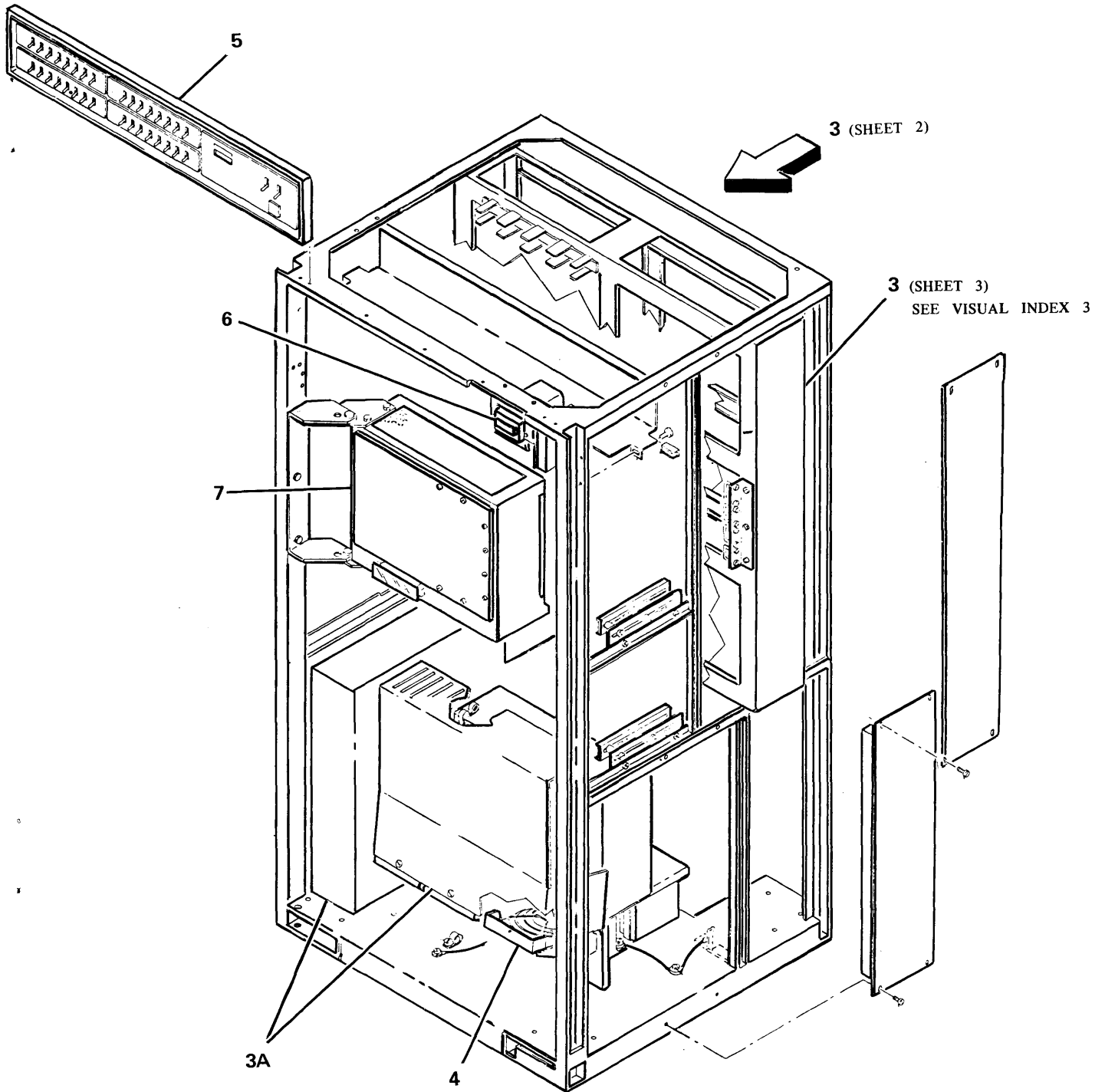
1.	COVER GROUP, 3803	2
2.	FINAL ASM, COVER HARDWARE VIEW	6
3.	FINAL ASM, FRONT VIEW (SHEET 1)	10
12.	COVER ASM, REAR	34
13.	COVE ASM, SIDE	36
14.	COVER ASM, FRONT	38
25.	CABLE ASM'S AND COMPONENTS	40



VISUAL INDEX I
COVER VIEW

FIG.	ASSEMBLY NAME	PAGE
------	---------------	------

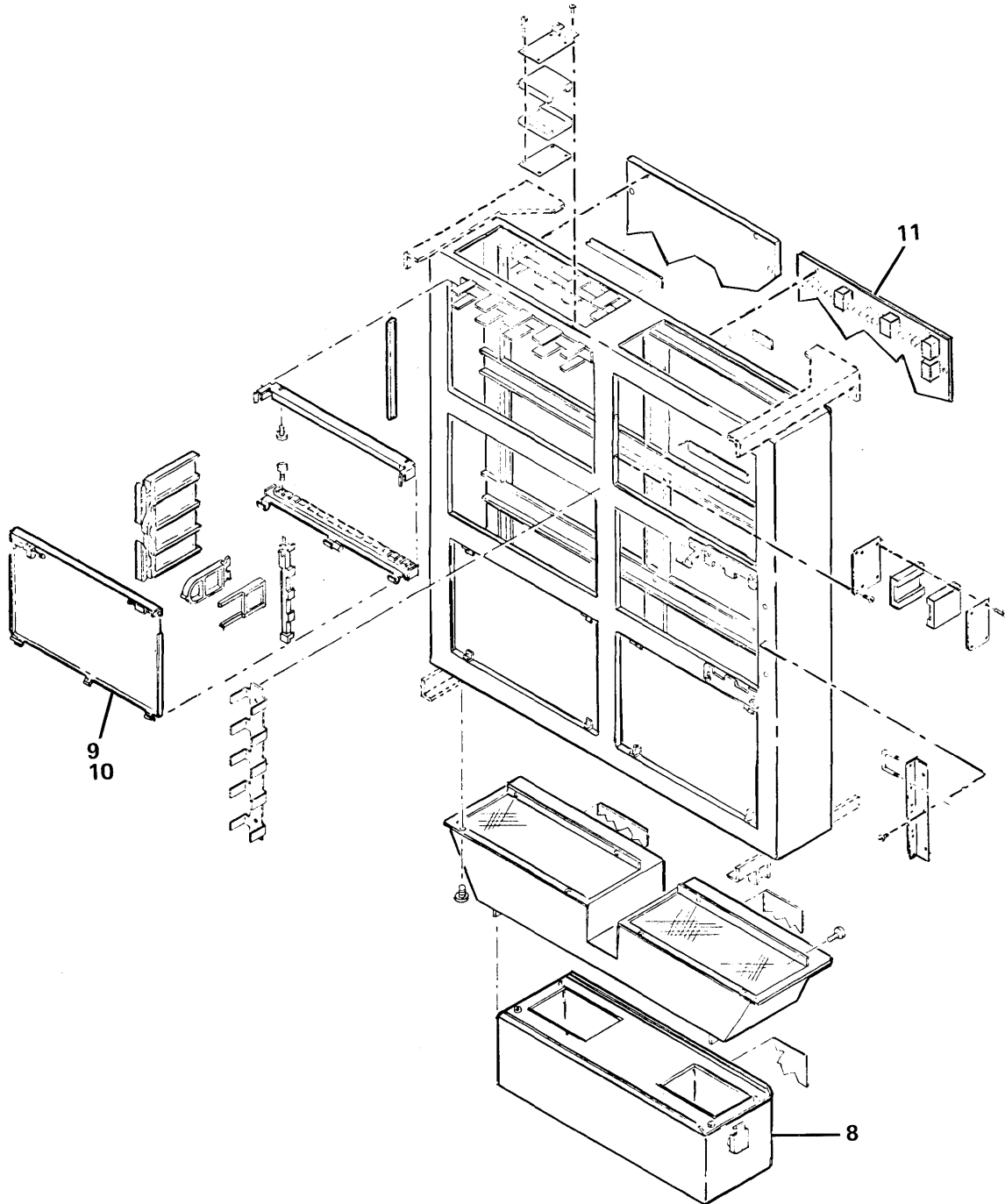
3.	FINAL ASM, REAR VIEW (SHEET 2)	14
3.	FINAL ASM, GATE VIEW (SHEET 2)	16
3A.	DC POWER ASM (NOT INCLUDED)	
3A.	AC POWER ASM (NOT INCLUDED)	
	FOR DETAIL BREAKDOWN SEE ALDS	
4.	FAN ASM, DC POWER	20
5.	PANEL GROUP, OPERATOR	22
6.	METER GROUP, USER	24
7.	GATE ASM, AUXILIARY	26



VISUAL INDEX II

FINAL ASM VIEW

FIG.	ASSEMBLY NAME	PAGE
8.	COOLING ASM, GATE.	28
9.	COVER ASM, LOGIC (DOUBLE LATCH)	30
10.	COVER ASM, LOGIC (SINGLE LATCH)	31
11.	PANEL ASM, CE	32



VISUAL INDEX III
GATE VIEW

CATALOG SECTION

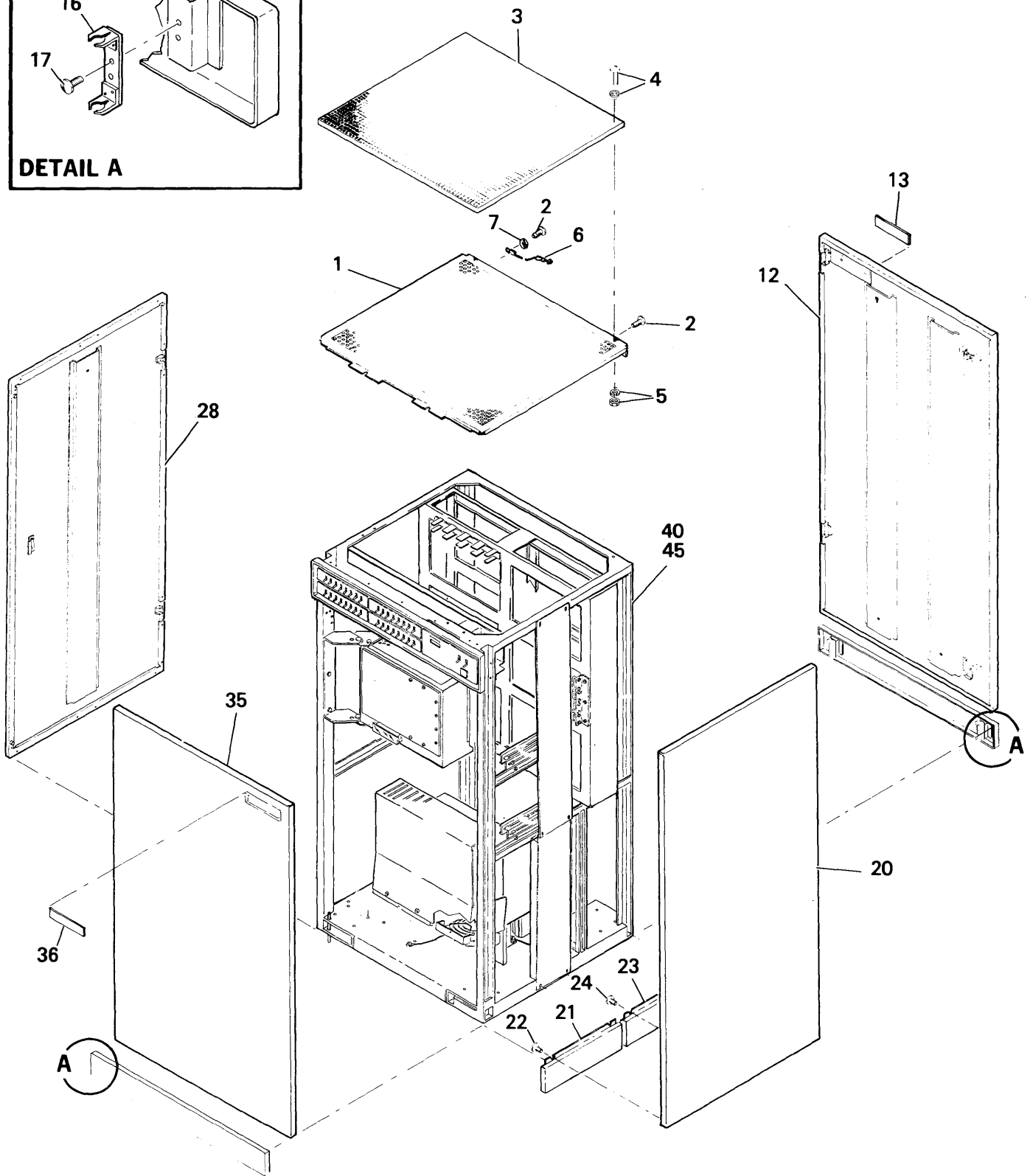
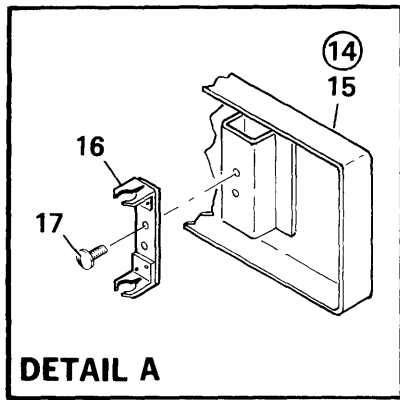


FIGURE 1. COVER GROUP, 3803

LIST AND INDEX	PART NUMBER	QTY	DESCRIPTION	NOTE
----------------	-------------	-----	-------------	------

NOTE A USED ON MOD 1
NOTE B USED ON MOD 2
NOTE C USED ON MOD 3

LIST AND INDEX	PART NUMBER	QTY	DESCRIPTION	NOTE
1	NP		COVER GROUP, 3803	
- 1	2521601	(1)	• SCREEN	
- 2	2181004	(4)	• SCREW, HEXWSR TRI-THRD FORM 10-32X.375 LG	
- 3	2521602	(1)	• GRID	
- 4	5356433	(2)	• SCREW, FLAT FILL HD 8-32 X .312 LG	
- 4	22478	(2)	• WASHER, PLN .170 ID X .375 OD X .032 TH	
- 5	1090873	(2)	• LOCKWASHER, SPLIT .168 ID X .296 OD	
- 5	257189	(2)	• NUT, HEX STEEL 8-32 X .344 FL W	
- 6	2513071	(1)	• STOP ASM	
- 7	45690	(1)	• WASHER, PLN .203 ID X .438 OD X .032 TH	
- 12	2521608	(1)	• COVER ASM, REAR (RED)	A, C
- 12	1847608	(1)	• COVER ASM, REAR (RED)	B
- 12	2521609	(1)	• COVER ASM, REAR (BLUE)	A, C
- 12	1847609	(1)	• COVER ASM, REAR (BLUE)	B
- 12	2521610	(1)	• COVER ASM, REAR (YELLOW)	A, C
- 12	1847610	(1)	• COVER ASM, REAR (YELLOW)	B
- 12	2521611	(1)	• COVER ASM, REAR (GRAY)	A, C
- 12	1847611	(1)	• COVER ASM, REAR (GRAY)	B
- 12	2521621	(1)	• COVER ASM, REAR (WHITE)	A, C
- 12	1847612	(1)	• COVER ASM, REAR (WHITE)	B
			FOR DETAIL BREAKDOWN SEE FIG. 12	
- 13	2521624	(1)	• NAMEPLATE, 3803 (REAR/ENGLISH)	A
- 13	1767944	(1)	• NAMEPLATE, 3803 (REAR/ENGLISH)	B
- 13	4294492	(1)	• NAMEPLATE, 3803 (REAR/ENGLISH)	C
- 13	2521626	(1)	• NAMEPLATE, 3803 (REAR/FRENCH)	A
- 13	1767946	(1)	• NAMEPLATE, 3803 (REAR/FRENCH)	B
- 13	4294495	(1)	• NAMEPLATE, 3803 (REAR/FRENCH)	C
- 13	2521628	(1)	• NAMEPLATE, 3803 (REAR/GERMAN)	A
- 13	1767948	(1)	• NAMEPLATE, 3803 (REAR/GERMAN)	B
- 13	4294498	(1)	• NAMEPLATE, 3803 (REAR/GERMAN)	C
- 13	1767950	(1)	• NAMEPLATE, 3803 (REAR/ITALIAN)	B
- 13	1767952	(1)	• NAMEPLATE, 3803 (REAR/SPANISH)	B
- 13	1767954	(1)	• NAMEPLATE, 3803 (REAR/JAPANESE)	B
- 14	5362004	(2)	• KICKPLATE ASM (FRONT AND REAR)	
- 15	5362003	(1)	• • KICKPLATE, FRONT AND REAR	
- 16	5356393	(2)	• • CLIP, KICKPLATE	
- 17	32042	(4)	• • SCREW, BIND HD 10-32 X .375 LG	
- 20	2520998	(1)	• COVER ASM, SIDE (RIGHT)	
			FOR DETAIL BREAKDOWN SEE FIG. 13	
- 21	2501286	(1)	• KICKPLATE	
- 22	731629	(1)	• SCREW, PAN HD TRI-THRD FORM 10-32X.380 LG	
- 23	5356406	(2)	• KICKPLATE	
- 24	731629	(1)	• SCREW, PAN HD TRI-THRD FORM 10-32X.380 LG	
- 28	2521605	(1)	• COVER ASM, SIDE (LEFT)	
			FOR DETAIL BREAKDOWN SEE FIG. 13	

CONTINUED ON NEXT PAGE

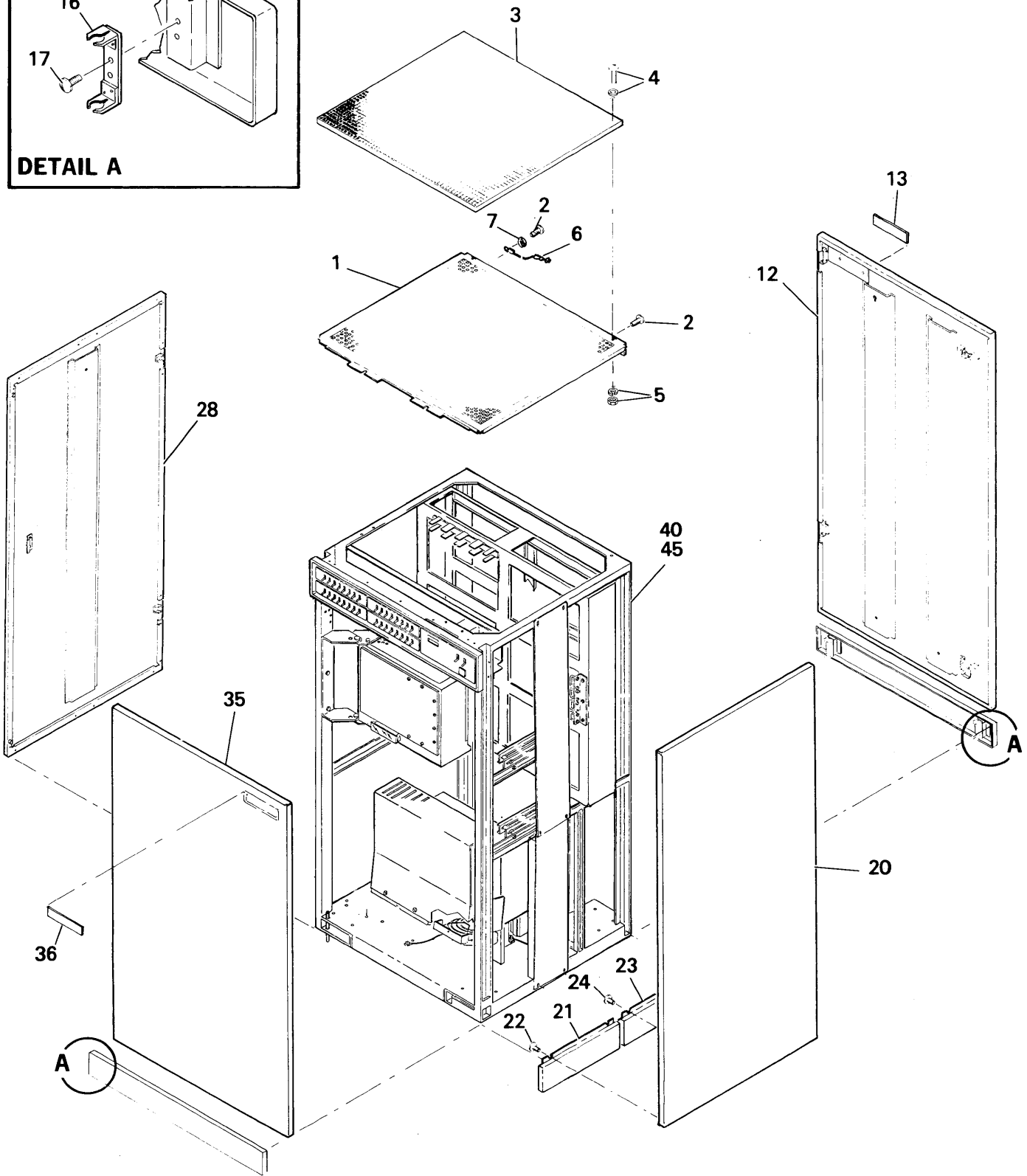
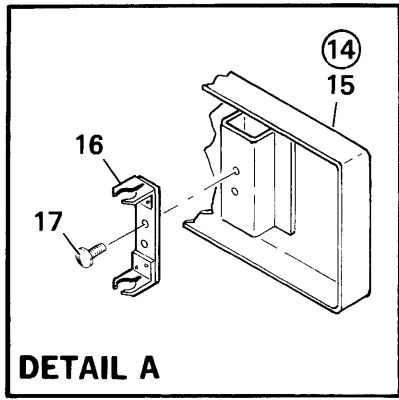


FIGURE 1. COVER GROUP, 3803 (CON'T)

LIST AND INDEX	PART NUMBER	QTY	DESCRIPTION	NOTE
1	-	NP	COVER GROUP, 3803 (CON'T)	
- 35	2521612	(1)	• COVER ASM, FRONT (RED)	A, C
- 35	1847613	(1)	• COVER ASM, FRONT (RED)	B
- 35	2521613	(1)	• COVER ASM, FRONT (BLUE)	A, C
- 35	1847614	(1)	• COVER ASM, FRONT (BLUE)	B
- 35	2521614	(1)	• COVER ASM, FRONT (YELLOW)	A, C
- 35	1847615	(1)	• COVER ASM, FRONT (YELLOW)	B
- 35	2521615	(1)	• COVER ASM, FRONT (GRAY)	A, C
- 35	1847616	(1)	• COVER ASM, FRONT (GRAY)	B
- 35	2521622	(1)	• COVER ASM, FRONT (WHITE)	A, C
- 35	1847717	(1)	• COVER ASM, FRONT (WHITE)	B
			FOR DETAIL BREAKDOWN SEE FIG. 14	
- 36	2521623	(1)	• NAMEPLATE, 3803 (FRONT/ENGLISH)	A
- 36	1767943	(1)	• NAMEPLATE, 3803 (FRONT/ENGLISH)	B
- 36	4294491	(1)	• NAMEPLATE, 3803 (FRONT/ENGLISH)	C
- 36	2521625	(1)	• NAMEPLATE, 3803 (FRONT/FRENCH)	A
- 36	1767945	(1)	• NAMEPLATE, 3803 (FRONT/FRENCH)	B
- 36	4294494	(1)	• NAMEPLATE, 3803 (FRONT/FRENCH)	C
- 36	2521627	(1)	• NAMEPLATE, 3803 (FRONT/GERMAN)	A
- 36	1767947	(1)	• NAMEPLATE, 3803 (FRONT/GERMAN)	B
- 36	4294497	(1)	• NAMEPLATE, 3803 (FRONT/GERMAN)	C
- 36	1767949	(1)	• NAMEPLATE, 3803 (FRONT/ITALIAN)	B
- 36	1767951	(1)	• NAMEPLATE, 3803 (FRONT/SPANISH)	B
- 36	1767953	(1)	• NAMEPLATE, 3803 (FRONT/JAPANESE)	B
- 40	NP	(1)	• FINAL ASM, COVER HARDWARE VIEW FOR DETAIL BREAKDOWN SEE FIG. 2	
- 45	NP	(1)	• FINAL ASM, FRONT VIEW FOR DETAIL BREAKDOWN SEE FIG. 3 SHEET 1	

END OF ASSEMBLY. (EC448568/734100 REF 2521620/1847607)

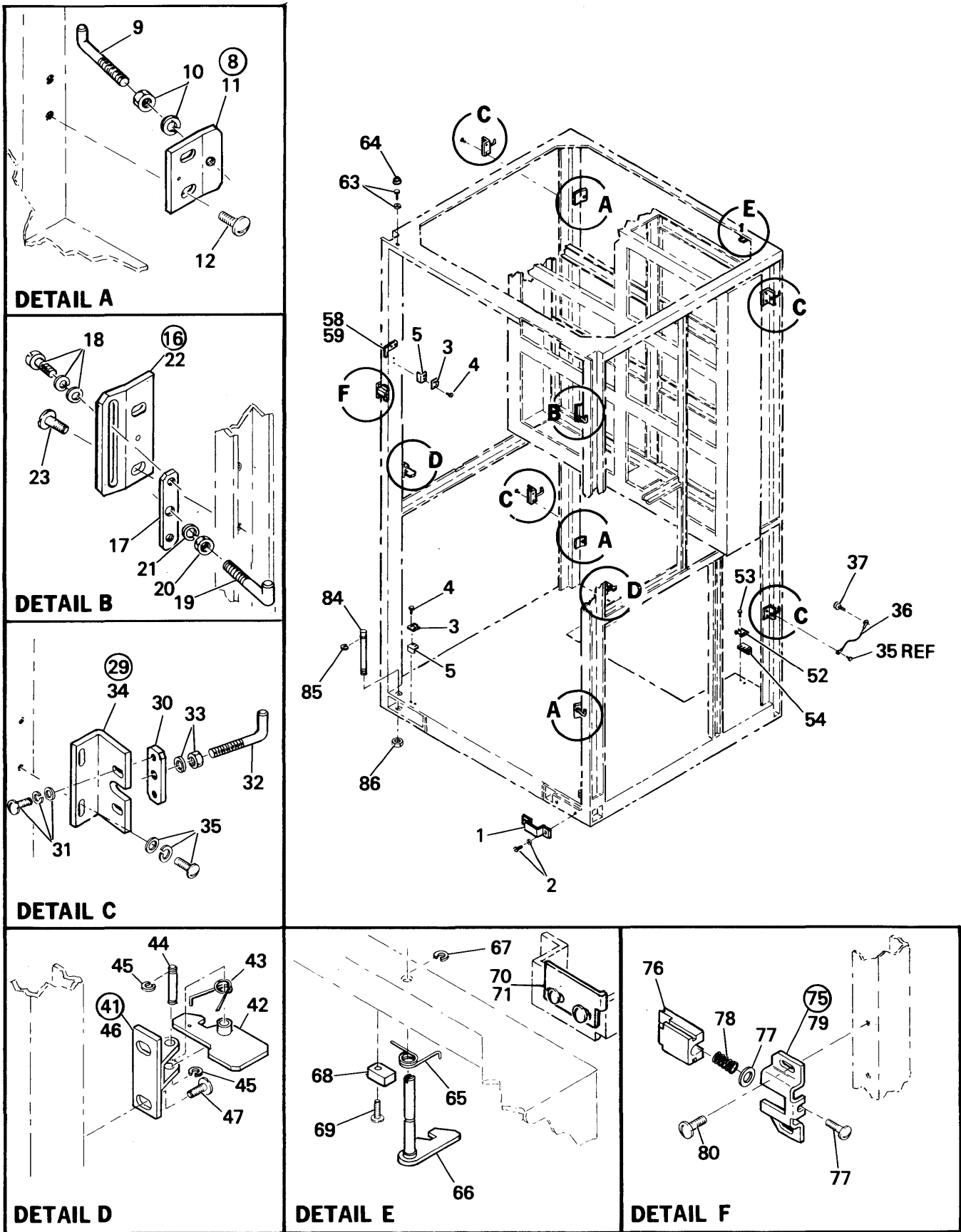


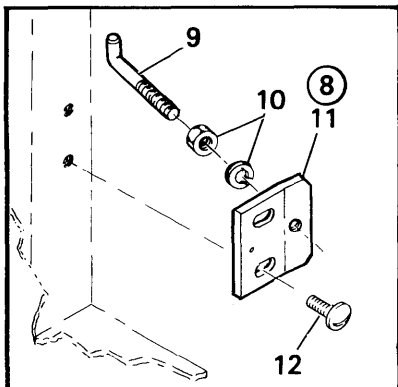
FIGURE 2. FINAL ASM, COVER HARDWARE VIEW

LIST AND INDEX	PART NUMBER	QTY	DESCRIPTION	NOTE
----------------	-------------	-----	-------------	------

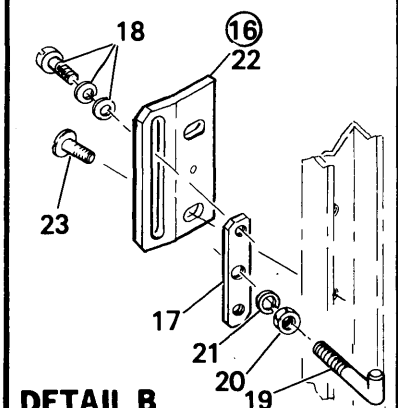
NOTE A USED ON MOD 1
NOTE B USED ON MOD 2
NOTE C USED ON MOD 3
NOTE F USED ON USA
NOTE G USED ON WTC

2	-	NP	FINAL ASM, COVER HARDWARE VIEW FOR NEXT HIGHER ASM SEE FIG. 1 INDEX 40	
-	1	5356341	(1) • CATCH	
-	2	2181004	(2) • SCREW, HEXWSR TRI-THRD FORM 10-32X.375 LG	
-	2	45690	(2) • WASHER, PLN .203 ID X .438 OD X .032 TH	
-	3	597068	(2) • STRIKE	
-	4	2181004	(4) • SCREW, HEXWSR TRI-THRD FORM 10-32X.375 LG	
-	5	1847601	(2) • PLATE	B
-	8	2512965	(3) • HINGE ASM, COVER	
-	9	5356392	(1) • • PIN, HINGE	
-	10	3960	(1) • • NUT, HEX STEEL .250-20 X .438 FL W	
-	10	6935	(1) • • LOCKWASHER, SPLIT .255 ID X .493 OD	
-	11	5356437	(1) • • BRACKET	
-	12	5383112	(6) • SCREW, HEXWSR TRI-THRD 10-32 X .625 LG	
-	13	151720	(3) • SETSCREW, SOCKET 6 FLUTED 8-32 X .188 LG	
-	16	2520886	(1) • HINGE ASM, ADJUSTABLE (TOP/FRONT)	
-	17	2520887	(1) • • PLATE	
-	18	32042	(2) • • SCREW, BIND HD 10-32 X .375 LG	
-	18	9092	(2) • • LOCKWASHER, SPLIT .194 ID X .337 OD	
-	18	45690	(2) • • WASHER, PLN .203 ID X .438 OD X .032 TH	
-	19	5356392	(1) • • PIN, HINGE	
-	20	3960	(1) • • NUT, HEX STEEL .250-20 X .438 FL W	
-	21	6935	(1) • • LOCKWASHER, SPLIT .255 ID X .493 OD	
-	22	2520886	(1) • • BRACKET	
-	23	5383112	(2) • SCREW, HEXWSR TRI-THRD 10-32 X .625 LG	
-	24	151720	(1) • SETSCREW, SOCKET 6 FLUTED 8-32 X .188 LG	
-	29	2513342	(4) • HINGE ASM, ADJUSTABLE (SIDE)	
-	30	2513341	(1) • • PLATE	
-	31	130434	(2) • • SCREW, HEX HD 10-32 X .375 LG	
-	31	56079	(2) • • LOCKWASHER, EXT TOOTH .195 ID X .410 OD	
-	31	45690	(2) • • WASHER, PLN .203 ID X .438 OD X .032 TH	
-	32	5356392	(1) • • PIN, HINGE	
-	33	3960	(1) • • NUT, HEX STEEL .250-20 X .438 FL W	
-	33	76574	(1) • • LOCKWASHER EXT TOOTH .256 ID X .510 OD	
-	34	2513339	(1) • • BRACKET	
-	35	2181004	(8) • SCREW, HEXWSR TRI-THRD FORM 10-32X.375 LG	
-	35	56079	(8) • LOCKWASHER, EXT TOOTH .195 ID X .410 OD	
-	35	45690	(8) • WASHER, PLN .203 ID X .438 OD X .032 TH	
-	36	5759506	(1) • JUMPER ASM, GROUND	
-	37	186759	(1) • SCREW, BIND HD 8-32 X .438 LG	
-	37	55901	(1) • LOCKWASHER, EXT TOOTH .168 ID X .381 OD	
-	37	257189	(1) • NUT, HEX STEEL 8-32 X .344 FL W	
-	41	5373653	(2) • LATCH ASM, SIDE COVERS	
-	42	5373650	(1) • • LATCH	
-	43	5373652	(1) • • SPRING, TENSION	
-	44	5373647	(1) • • PIN	
-	45	25282	(2) • • RING, RETAINING 0.125 ID X 0.015	
-	46	5373651	(1) • • BRACKET	
-	47	2181004	(4) • SCREW, HEXWSR TRI-THRD FORM 10-32X.375 LG	
-	52	597068	(2) • STRIKE, REAR/UPPER/LOWER	
-	53	2181004	(4) • SCREW, HEXWSR TRI-THRD FORM 10-32X.375 LG	F
-	53	2181004	(3) • SCREW, HEXWSR TRI-THRD FORM 10-32X.375 LG	G
-	54	2520986	(1) • PLATE, SHORT (LOWER ONLY)	A, C
-	54	1847601	(2) • PLATE, LONG (UPPER/LOWER)	B
-	58	2520916	(1) • RESTRAINT	
-	59	5383112	(2) • SCREW, HEXWSR TRI-THRD 10-32 X .625 LG	
-	63	38688	(2) • SCREW, HEX HD .250-20 X .750 LG	
-	63	36109	(2) • NUT, HEX STEEL .250-20 X .438 FL W	
-	64	333064	(2) • BUMPER, RUBBER	

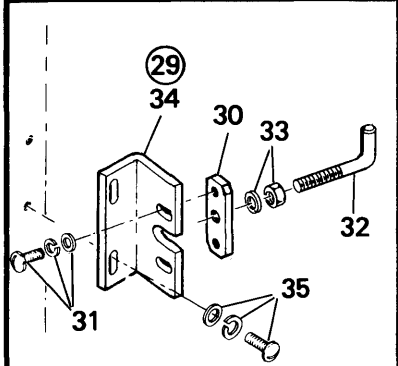
CONTINUED ON NEXT PAGE



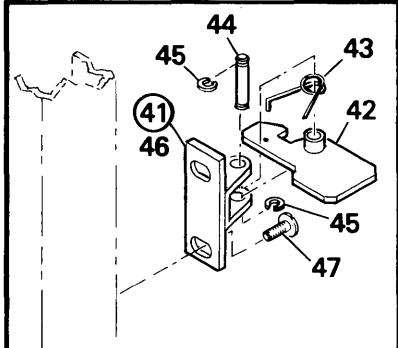
DETAIL A



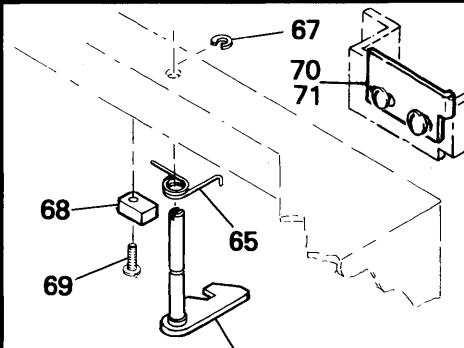
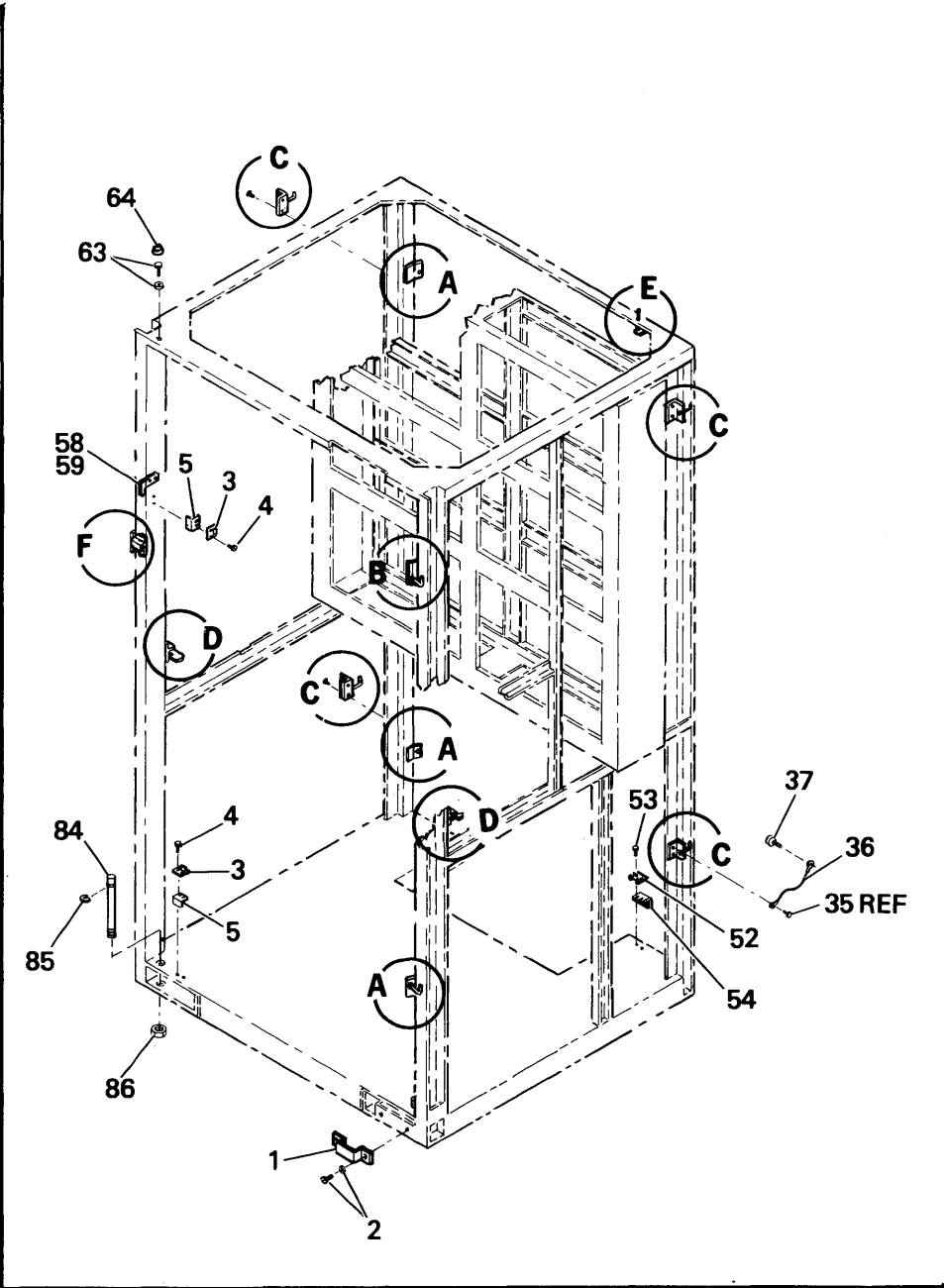
DETAIL B



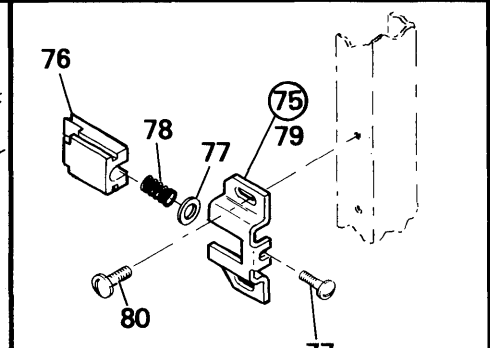
DETAIL C



DETAIL D



DETAIL E



DETAIL F

FIGURE 2. FINAL ASM, COVER GROUP (CON'T)

LIST AND INDEX	PART NUMBER	QTY	DESCRIPTION	NOTE
2 -	NP		FINAL ASM, COVER GROUP (CON'T)	
- 65	5353719	(1)	• SPRING, TENSION	G
- 66	5373720	(1)	• LATCH	G
- 67	1092125	(1)	• CLIP, RETAINING.	G
- 68	2507388	(1)	• STOP	G
- 69	92050	(1)	• SCREW, PAN HD SELF-TAP 10-32 X .750 LG.	G
- 70	5418047	(1)	• STRIKE (REAR DOOR)	G
- 71	81693	(1)	• SCREW, BIND HD G-32 X .375 LG	G
- 75	2218824	(1)	• LATCH ASM (WTC)	G
- 76	2218849	(1)	• • LATCH, TOOL OPERATED	
- 77	2218860	(1)	• • SCREW, PAN HD SELF-TAP 6-32 X 1.000 LG	
- 77	257986	(1)	• • WASHER, PLN .156 ID X .312 OD X .035 TH	
- 78	508137	(1)	• • SPRING, HELICAL COMP 9 TURNS	
- 79	2218861	(1)	• • BRACKET	
- 80	731629	(2)	• SCREW, PAN HD TRI-THRD FORM 10-32X.380 LG	G
- 84	5356446	(4)	• PIN, KICKPLATE ASM MTG (FRONT/REAR)	
- 85	237245	(4)	• CLIP, RETAINING	
- 86	24107	(4)	• NUT, HEX STEEL .375-16 X .563 FL W	

END OF ASSEMBLY. (EC448574/734120 REF 2520879/1765740)

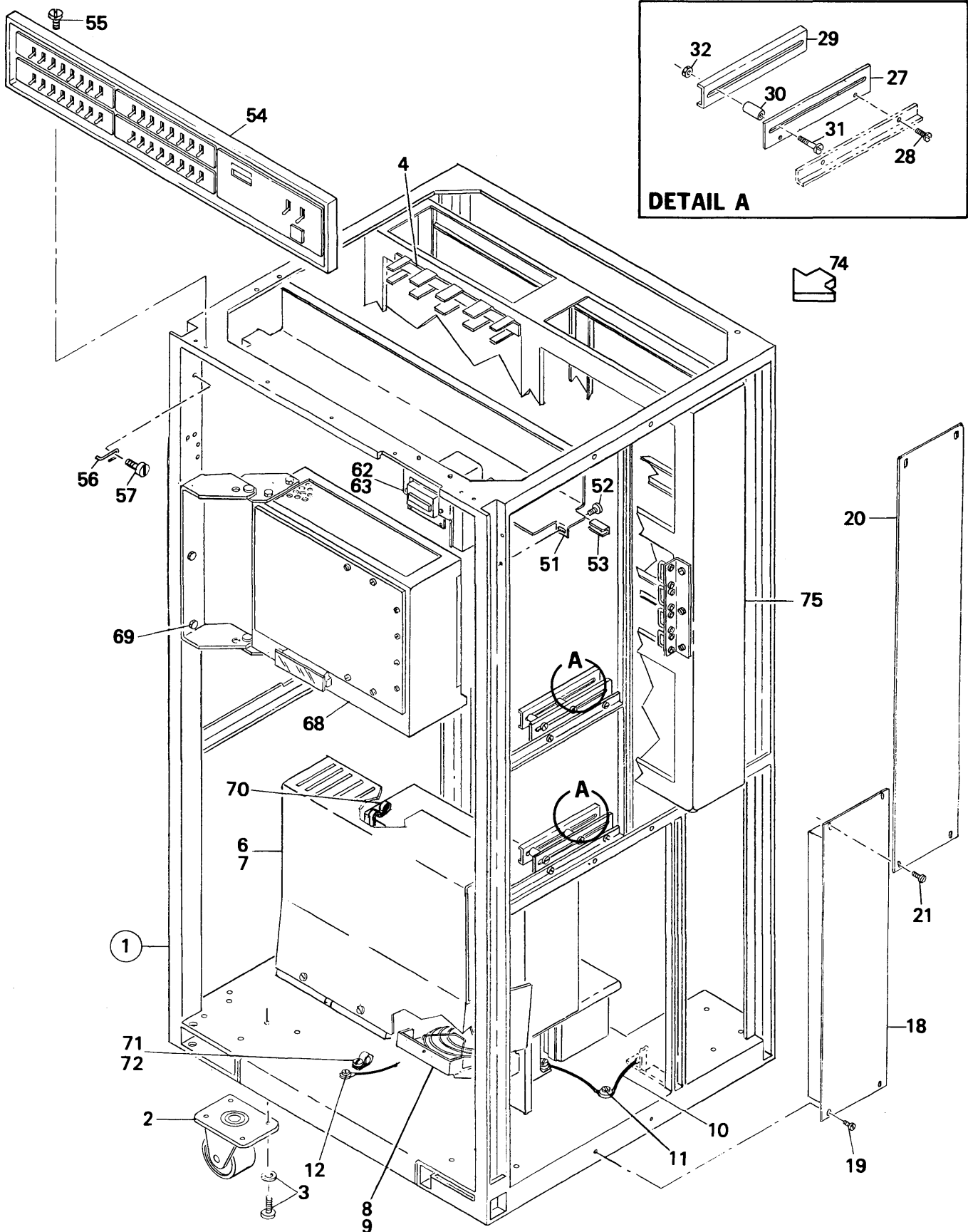


FIGURE 3. FINAL ASM, FRONT VIEW (SHEET 1 OF 3)

LIST AND INDEX	PART NUMBER	QTY	DESCRIPTION	NOTE
----------------	-------------	-----	-------------	------

NOTE A USED ON MOD 1
 NOTE B USED ON MOD 2
 NOTE C USE ON MOD 3
 NOTE D USED ON 60HZ
 NOTE E USED ON 50HZ
 NOTE G USED ON WTC

3 - NP FINAL ASM, FRONT VIEW (SHEET 1 OF 3)
 FOR NEXT HIGHER ASM SEE FIG. 1 INDEX 45

- 1	np	(1)	• FRAME ASM	
- 2	513271	(4)	• • CASTER	
- 2	5502006	(4)	• • CASTER (WTC SUBSTITUTION)	G
- 3	103423	(16)	• • SCREW, HEXHEAD .312-18 X .50 LG	
- 3	338595	(16)	• • LOCKWASHER, .312 SPRING TYPE	
- 4	2590011	(2)	• • RACEWAY, 13.000 (330, 2) LG	
- 4	2590010	(8)	• • RACEWAY, 7.00 (177, 8) LG	
- 6	2521491	(1)	• POWER SUPPLY ASM, DC (60HZ)	A, C
- 6	1766121	(1)	• POWER SUPPLY ASM, DC (60HZ-FRANCE SUB)	A, C
- 6	1766281	(1)	• POWER SUPPLY ASM, DC (60HZ)	B
- 6	1766291	(1)	• POWER SUPPLY ASM, DC (60HZ-WTC SUB)	B
- 6	1766120	(1)	• POWER SUPPLY ASM, DC (50HZ)	A, C
- 6	2521490	(1)	• POWER SUPPLY ASM, DC (50HZ-FIELD USE)	A, C
- 6	1766290	(1)	• POWER SUPPLY ASM, DC (50HZ)	B
			DC POWER SUPPLY ASM'S ARE EC SENSITIVE	
			FOR DETAIL BREAKDOWN SEE AUTOMATED LOGIC DIAGRAMS (ALD'S)	
- 7	5353301	(4)	• SCREW, HEXWSR TRI-THRD .250-20 X .625 LG	
- 7	76574	(1)	• LOCKWASHER EXT TOOTH .256 ID X .510 OD	
- 8	2521455	(3)	• • FAN ASM, POWER SUPPLY (60HZ)	D
- 8	2521456	(3)	• • FAN ASM, POWER SUPPLY (50HZ)	E
			FOR DETAIL BREAKDOWN SEE FIG. 4	
- 9	28413	(6)	• • SCREW, BIND HD 10-32 X .312 LG	
- 9	56079	(6)	• • LOCKWASHER, EXT TOOTH .195 ID X .410 OD	
- 10	2501194	(2)	• JUMPER ASM, GROUND	
- 11	5383112	(1)	• SCREW, HEXWSR TRI-THRD 10-32 X .625 LG	
- 11	56079	(1)	• LOCKWASHER, EXT TOOTH .195 ID X .410 OD	
- 12	2181004	(1)	• SCREW, HEXWSR TRI-THRD FORM 10-32X.375 LG	
- 12	56079	(1)	• LOCKWASHER, EXT TOOTH .195 ID X .410 OD	
- 18	1848584	(1)	• SIDE PLATE ASM	B
- 19	2181004	(2)	• SCREW, HEXWSR TRI-THRD FORM 10-32X.375 LG	B
- 20	1847628	(1)	• SIDE PLATE	B
- 21	2181004	(4)	• SCREW, HEXWSR TRI-THRD FORM 10-32X.375 LG	B
- 27	2520973	(2)	• INSULATOR, CABLE	
- 28	28413	(4)	• SCREW, BIND HD 10-32 X .312 LG	
- 29	2520972	(2)	• RETAINER, CABLE	
- 30	2520969	(4)	• SPACER, .500 OD X .960 LG	
- 31	438602	(4)	• SCREW, BIND HD 10-32 X 1.500 LG	
- 32	11598	(4)	• NUT, HEX STEEL 10-32 X .375 FL W	
- 51	2520925	(1)	• SHIELD, OPERATOR PANEL	
- 52	221790	(4)	• SCREW, BIND HD 8-32 X .188 LG	
- 53	350830	(AR)	• CHANNEL, BULK (SPECIFY LENGTH)	
- 54	NP	(1)	• PANEL GROUP, OPERATOR	
			FOR DETAIL BREAKDOWN SEE FIG. 5	
- 55	2181004	(5)	• SCREW, HEXWSR TRI-THRD FORM 10-32X.375 LG	
- 55	47242	(5)	• WASHER, PLN .219 ID X .500 OD X .062 TH	
- 56	2520915	(2)	• RETAINER	
- 57	2181004	(2)	• SCREW, HEXWSR TRI-THRD FORM 10-32X.375 LG	

CONTINUED ON NEXT PAGE

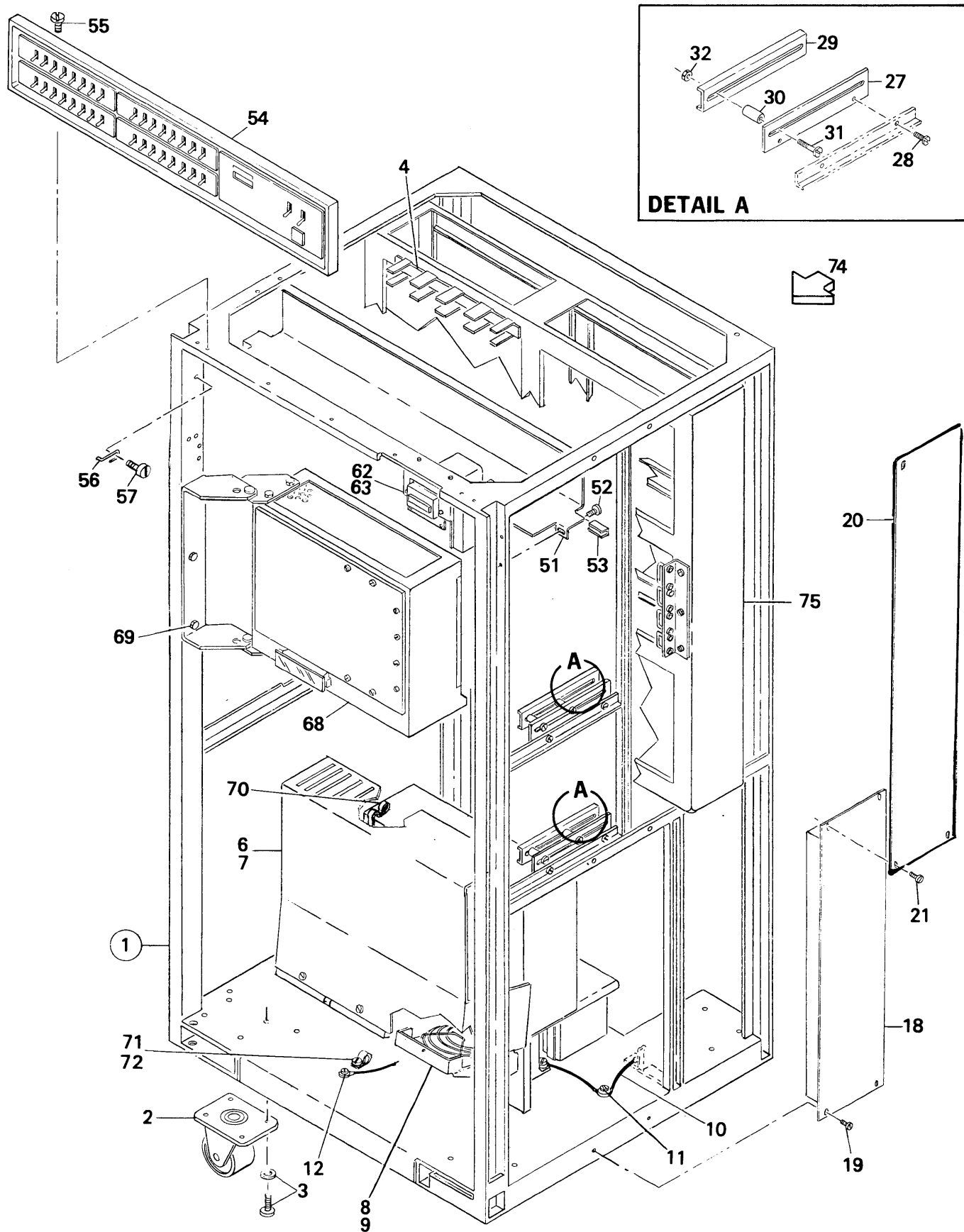


FIGURE 3. FINAL ASM, FRONT VIEW (SHEET 1 OF 3 CON'T)

LIST AND INDEX	PART NUMBER	QTY	DESCRIPTION	NOTE
3	-	NP	FINAL ASM, FRONT VIEW (SHEET 1 OF 3 CON'T)	
-	62	NP	(1) • PANEL GROUP, METER FOR DETAIL BREAKDOWN SEE FIG. 6	
-	63	186759	(2) • SCREW, BIND HD 8-32 X .312 LG	
-	63	22478	(2) • WASHER, PLN .170 ID X .375 OD X .032 TH	
-	64	2181004	(1) • SCREW, HEXWSR TRI-THRD FORM 10-32X.375 LG	
-	64	56079	(1) • LOCKWASHER, EXT TOOTH .195 ID X .410 OD	
-	68	1765737	(1) • GATE ASM, AUXILIARY (60HZ).....	B
-	68	1846310	(1) • GATE ASM, AUXILIARY (50HZ)..... FOR DETAIL BREAKDOWN SEE FIG. 7	B
-	69	2181004	(3) • SCREW, HEXWSR TRI-THRD FORM 10-32X.375 LG	
-	70	327921	(1) • CLAMP, CABLE.....	B
-	71	532393	(1) • CLAMP, CABLE	
-	72	2181004	(1) • SCREW, HEXWSR TRI-THRD FORM 10-32X.375 LG	
-	74	NO NUMB	(1) • FINAL ASM, REAR VIEW FOR DETAIL BREAKDOWN SEE FIG. 3 SHEET 2	
-	75	NO NUMB	(1) • FINAL ASM, GATE VIEW FOR DETAIL BREAKDOWN SEE FIG. 3 SHEET 3	

END OF SHEET 1 OF 3. (EC448574/734120 REF 2520879/1765740)

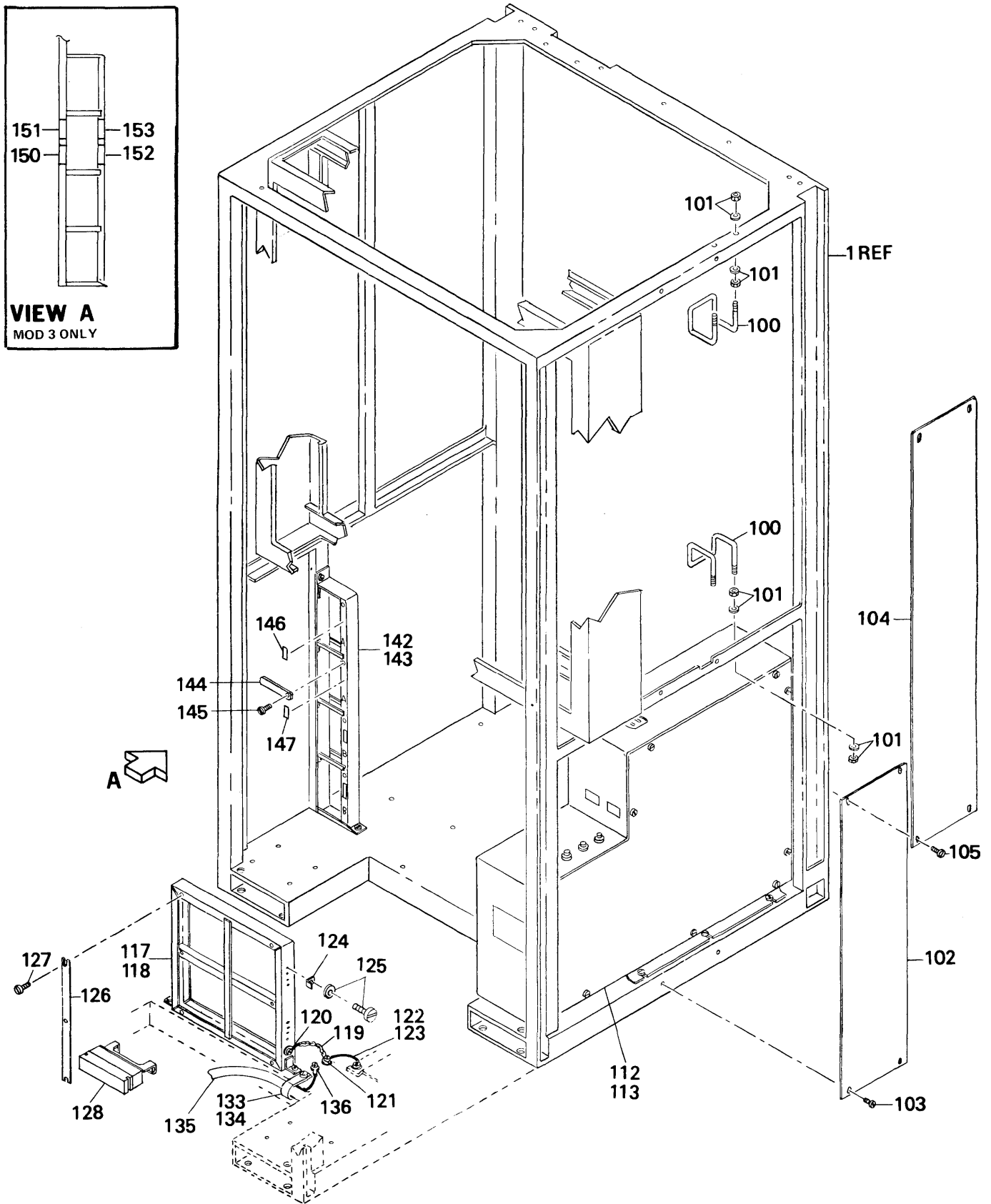


FIGURE 3. FINAL ASM, REAR VIEW (SHEET 2 OF 3)

LIST AND INDEX	PART NUMBER	QTY	DESCRIPTION	NOTE
----------------	-------------	-----	-------------	------

NOTE A USED ON MOD 1
 NOTE B USED ON MOD 2
 NOTE C USED ON MOD 3
 NOTE D USED ON 60HZ
 NOTE E USED ON 50HZ
 NOTE H W/OUT TWO CHANNEL SWITCH FEATURE
 NOTE J WITH TWO CHANNEL SWITCH FEATURE

**3 NP FINAL ASM, REAR VIEW (SHEET 2 OF 3)
 FOR NEXT HIGHER ASM SEE SHEET 1-74**

-100	2520922	(2)	• HANGER	
-101	11598	(8)	• NUT, HEX STEEL 10-32 X .375 FL W	
-101	56079	(8)	• LOCKWASHER, EXT TOOTH .195 ID X .410 OD	
-102	1847629	(1)	• PLATE, LOWER REAR	B
-103	2181004	(2)	• SCREW, HEXWSR TRI-THRD FORM 10-32X.375 LG	B
-104	1847628	(1)	• PLATE, UPPER REAR	B
-105	2181004	(4)	• SCREW, HEXWSR TRI-THRD FORM 10-32X.375 LG	
-112	2521488	(1)	• POWER SUPPLY ASM, AC (60HZ)	D
-112	4294558	(1)	• POWER SUPPLY ASM, AC (60HZ)	C, D
-112	2521489	(1)	• POWER SUPPLY ASM, AC (50HZ)	E
-112	4294559	(1)	• POWER SUPPLY ASM, AC (50HZ)	C, E
			AC PWR SUPPLY ASM'S ARE EC SENSITIVE FOR DETAIL BREAKDOWN SEE AUTOMATED LOGIC DIAGRAMS (ALD'S)	
-113	5353301	(6)	• SCREW, HEXWSR TRI-THRD .250-20 X .625 LG	
-117	2520857	(1)	• FRAME, I/O CONNECTOR	
-118	5383112	(4)	• SCREW, HEXWSR TRI-THRD 10-32 X .625 LG	
-119	597215	(1)	• JUMPER ASM, GROUND	
-120	2181004	(1)	• SCREW, HEXWSR TRI-THRD FORM 10-32X.375 LG	
-120	56079	(1)	• LOCKWASHER, EXT TOOTH .195 ID X .410 OD	
-121	5383112	(1)	• SCREW, HEXWSR TRI-THRD 10-32 X .625 LG	
-121	56079	(1)	• LOCKWASHER, EXT TOOTH .195 ID X .410 OD	
-122	2501194	(1)	• JUMPER ASM, AC GROUND	
-123	76574	(1)	• LOCKWASHER EXT TOOTH .256 ID X .510 OD	
-124	5271288	(8)	• TERMINAL, SLIP ON	
-125	244049	(8)	• SCREW, PAN HD SELF TAP 4-40 X .312 LG	
-125	338169	(8)	• LOCKWASHER, EXT TOOTH .115 ID X .260 OD	
-126	2520984	(AR)	• RAIL, I/O CONNECTOR	
-127	381741	(AR)	• SCREW, THREAD FORM-PAN HD 8-32 X 3/8 LG	
-128	5362304	(AR)	• CONNECTOR ASM, MACH HALF STYLE A 48 POS (LIGHT GREY) FOR COMPONENTS SEE LIST 25 INDEX 332B	
-128	5362305	(AR)	• CONNECTOR ASM, MACH HALF STYLE B 48 POS (DARK GREY) FOR COMPONENTS SEE LIST 25 INDEX 332C	B
-133	2520897	(1)	• CLAMP, CABLE (LARGE)	
-133	2520981	(1)	• CLAMP, CABLE (SMALL)	
-134	5383112	(2)	• SCREW, HEXWSR TRI-THRD 10-32 X .625 LG	
-135	2524606	(1)	• CORD ASM, POWER 6FT (60HZ/USA)	
-135	1766246	(1)	• CORD ASM, POWER 6FT (100 AMP/60HZ/USA)	B
-135	1766247	(1)	• CORD ASM, POWER 15FT (100 AMP/60HZ/USA)	B
-135	2524607	(1)	• CORD ASM, POWER, 15FT (60HZ/USA)	
-135	2524608	(1)	• CORD ASM, POWER 15FT (WTC)	
-135	2524612	(1)	• CORD ASM, POWER 15FT (WTC 60HZ/JAPAN 50/60HZ) FOR COMPONENTS SEE LIST 25	
-136	5383112	(1)	• SCREW, HEXWSR TRI-THRD 10-32 X .625 LG	E
-136	56079	(1)	• LOCKWASHER, EXT TOOTH .195 ID X .410 OD	E
-142	2520956	(1)	• PANEL	
-143	2181004	(2)	• SCREW, HEXWSR TRI-THRD FORM 10-32X.375 LG	
-144	2520970	(2)	• RAIL (MOD 1)	A, H
-144	2520970	(4)	• RAIL (MOD 1)	A, J
-144	1848604	(2)	• RAIL (MOD 2)	B, H
-144	1848604	(4)	• RAIL (MOD 2)	B, J
-145	251970	(2)	• SCREW, BIND HD 4-40 X .250 LG	H
-145	251970	(4)	• SCREW, BIND HD 4-40 X .250 LG	J
-146	2520931	(1)	• LABEL, BUS IN/BUS OUT	H
-146	2520931	(2)	• LABEL, BUS IN/BUS OUT	J
-147	2520932	(1)	• LABEL, TAG IN/TAG OUT	H
-147	2520932	(2)	• LABEL, TAG IN/TAG OUT	J
-150	4294625	(1)	• LABEL, BUS IN	C
-151	4294626	(1)	• LABEL, BUS OUT	C
-152	4294627	(1)	• LABEL, TAG IN	C
-153	4294628	(1)	• LABEL, TAG OUT	C

END OF SHEET 2 OF 3. (EC448574/734120)

NOTE:

Boards must be ordered by Part Number and EC level.
Replacement boards shipped from the Plant, DO NOT
contain Feature-Model jumpers, resistors or wiring.
(See ALD AA005 for your machine.)

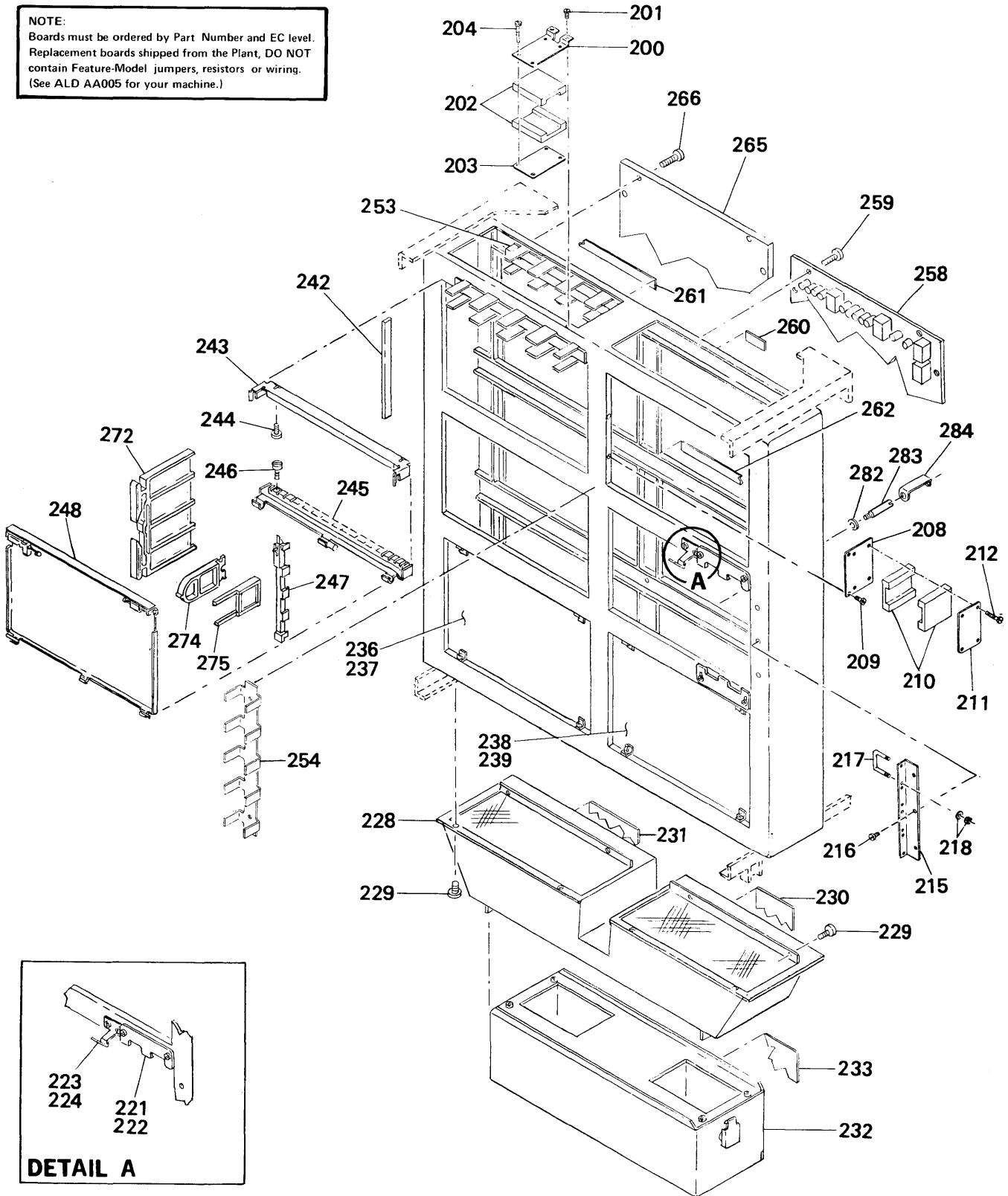


FIGURE 3. FINAL ASM, GATE VIEW (SHEET 3 OF 3)

LIST AND INDEX	PART NUMBER	QTY	DESCRIPTION	NOTE
----------------	-------------	-----	-------------	------

NOTE A USED ON MOD 1
 NOTE B USED ON MOD 2
 NOTE C USED ON MOD 3
 NOTE D USED ON 60HZ
 NOTE E USED ON 50HZ
 NOTE H WITH NO. 2 COMMUNICATOR FEATURE (MOD 1)
 NOTE J WITH SELECTION LOGIC (1X8) FEATURE (MOD 1)

3 NP FINAL ASM GATE VIEW (SHEET 3 OF 3)
 FOR NEXT HIGHER ASM SEE FIG. 1 INDEX 75

-200	2520865	(1)	• BRACKET	
-201	734483	(2)	• SCREW, PAN HD TRI-THRD FORM 6-32 X.380 LG	
-202	853288	(2)	• FERRITE	
-203	2520864	(1)	• PLATE	
-204	438569	(4)	• SCREW, BIND HD 6-32 X 1.250 LG	
-208	2520885	(1)	• BRACKET	
-209	734483	(2)	• SCREW, PAN HD TRI-THRD FORM 6-32 X.380 LG	
-210	853288	(2)	• FERRITE	
-211	2520864	(1)	• PLATE	
-212	438569	(4)	• SCREW, BIND HD 6-32 X 1.250 LG	
-215	2520996	(1)	• BRACKET	
-216	10170	(3)	• SCREW, BIND HD 6-32 X .250 LG	
-217	2520995	(4)	• CLAMP, "U"	
-218	257187	(8)	• NUT, HEX STEEL 6-32 X .313 FL W	
-218	56722	(8)	• LOCKWASHER, EXT TOOTH .141 ID X .320 OD	
-221	2520971	(2)	• RETAINER, CABLE	
-222	10170	(4)	• SCREW, BIND HD 6-32 X .250 LG	
-223	2520962	(1)	• LATCH, SPRING	
-224	48594	(2)	• SCREW, BIND HD 4-40 X .125 LG	
-228	2520889	(1)	• HEADER ASM	
-229	381741	(8)	• SCREW, THREAD FORM-PAN HD 8-32 X 3/8 LG	
-230	2520947	(1)	• LABEL, TEST POINTS	A
-230	1767967	(1)	• LABEL, TEST POINTS	B
-230	4294508	(1)	• LABEL, TEST POINTS	C
-231	2520948	(1)	• LABEL, TEST POINTS	A
-231	1765757	(1)	• LABEL, TEST POINTS	B
-231	4294509	(1)	• LABEL, TEST POINTS	C
-232	2520918	(1)	• COOLING ASM, GATE 208/230V (60HZ)	D
-232	2520937	(1)	• COOLING ASM, GATE 220V (50HZ)	E
			FOR DETAIL BREAKDOWN SEE FIG. 8	
-233	2520949	(1)	• LABEL, VOLTAGE TEST POINTS	A
-233	1767969	(1)	• LABEL, VOLTAGE TEST POINTS	B
-236	819013	(1)	• COVER, DUMMY FRONT	H, J
-236	819431	(1)	• COVER, DUMMY REAR	H, J
-237	734483	(8)	• SCREW, PAN HD TRI-THRD FORM 6-32 X.380 LG	H, J
-238	819013	(1)	• COVER, DUMMY FRONT	H
-238	819431	(1)	• COVER, DUMMY REAR	H
-239	734483	(8)	• SCREW, PAN HD TRI-THRD FORM 6-32 X.380 LG	
-242	817905	(6)	• SEAL, .38 WIDE X .250 TH X 6.95 LG	
-243	819268	(3)	• GUIDE (UPPER)	
-244	734483	(6)	• SCREW, PAN HD TRI-THRD FORM 6-32 X.380 LG	
-245	815879	(3)	• GUIDE (LOWER)	
-246	734483	(6)	• SCREW, PAN HD TRI-THRD FORM 6-32 X.380 LG	
-247	819284	(AR)	• INTERMIX LATCH BRACKET ASM	
-248	819251	(3)	• COVER ASM, CARD (DOUBLE LATCH) A1, A2, B3	
			FOR DETAIL BREAKDOWN SEE FIG. 9	
-248	2520964	(1)	• COVER ASM, CARD (SINGLE LATCH) B2 ONLY	
			FOR DETAIL BREAKDOWN SEE FIG. 10	
-253	1766512	(3)	• SPACER	A
-253	1766512	(4)	• SPACER	B
-254	2590010	(1)	• RACEWAY, 7.00 (177, 8) LG.	B
-258	2521416	(1)	• PANEL ASM, CE (MOD 1)	A
-258	1846370	(1)	• PANEL ASM, CE (MOD 2)	B
-258	4294555	(1)	• PANEL ASM, CE (MOD 3)	C
			FOR DETAIL BREAKDOWN SEE FIG. 11	
-259	5350006	(8)	• SCREW, HEXWSR TRI-THRD 6-32 X .250 LG	

CONTINUED ON NEXT PAGE

NOTE:
 Boards must be ordered by Part Number and EC level.
 Replacement boards shipped from the Plant, DO NOT
 contain Feature-Model jumpers, resistors or wiring.
 (See ALD AA005 for your machine.)

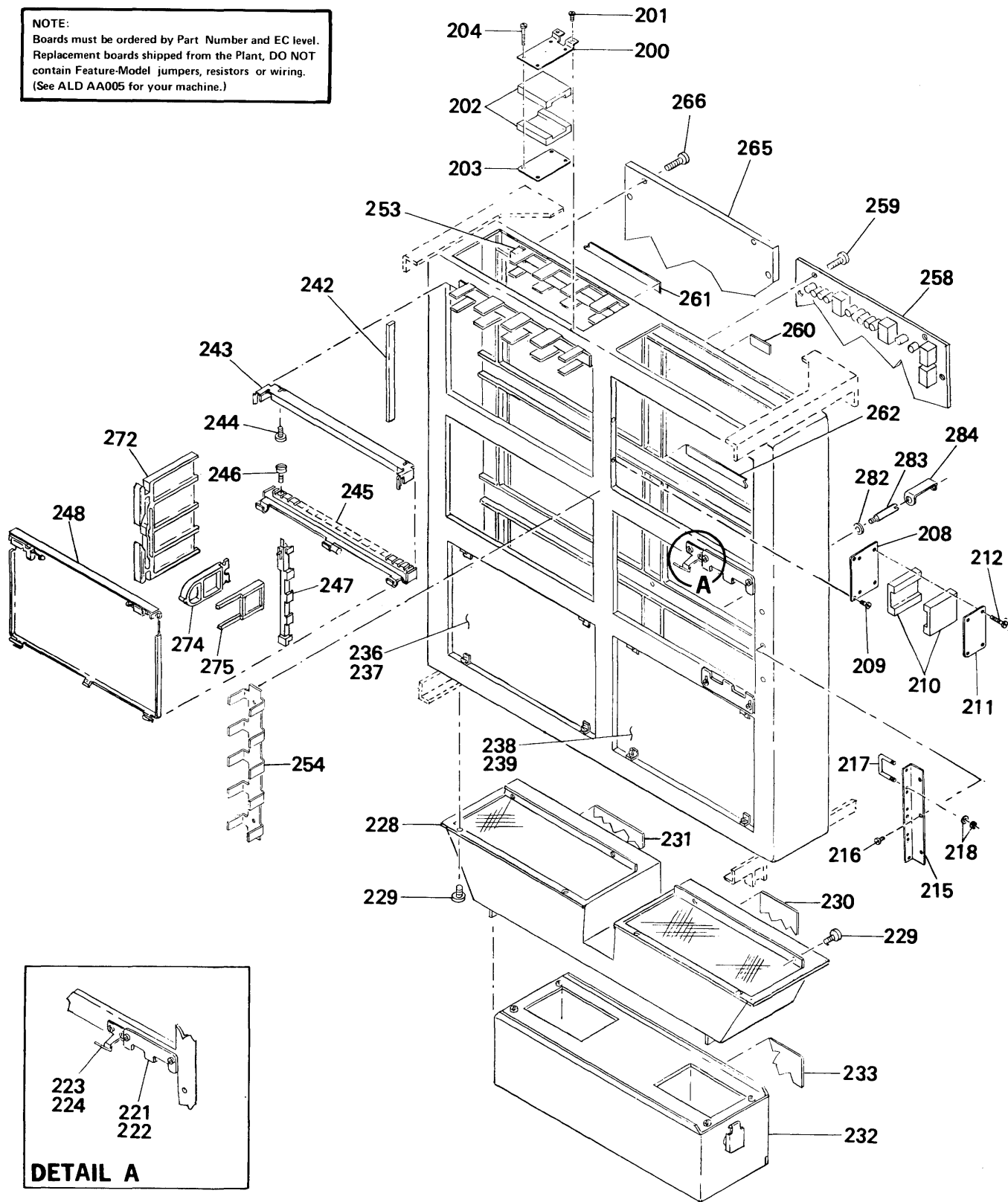


FIGURE 3. FINAL ASM, GATE VIEW (SHEET 3 OF 3 CON'T)

LIST AND INDEX	PART NUMBER	QTY	DESCRIPTION	NOTE
----------------	-------------	-----	-------------	------

3 - NP FINAL ASM, GATE VIEW (SHEET 3 OF 3 CON'T)

-260	2520982	(1)	• LABEL, CE AID	A
-260	1847647	(1)	• LABEL, CE AID	B
-261	2520953	(2)	• LABEL, MST BOARD (V-A)	
-262	818579	(AR)	• LABEL, MST BOARD (A-V)	
-265	2521390	(AR)	• BOARD ASM, 01A-A1 (MOD 1) 9 TRACK	A
-265	2521386	(AR)	• BOARD ASM, 01A-A1 (MOD 1) 7 TRACK	A
-265	2521170	(AR)	• BOARD ASM, 01A-A1 (MOD 1) 7/9 TRACK	A
-265	1765712	(AR)	• BOARD ASM, 01A-A1 (MOD 2)	B
-265	4294454	(AR)	• BOARD ASM, 01A-A1 (MOD 3)	C
-265	4294458	(AR)	• BOARD ASM, 01A-A1 (MOD 3) 7 TRACK	C
-265	2521394	(AR)	• BOARD ASM, 01A-A2 (MOD 1)	A
-265	4294456	(AR)	• BOARD ASM, 01A-A2 (MOD 3)	C
-265	1765714	(AR)	• BOARD ASM, 01A-A3 (MOD 2) 1X8, 2X8	B
-265	2521396	(AR)	• BOARD ASM, 01A-A3 (MOD 1 AND 2) 3X8, 4X8	
-265	2521384	(AR)	• BOARD ASM, 01A-B2 (MOD 1 AND 2)	
-265	2521392	(AR)	• BOARD ASM, 01A-B2 (MOD 1) PRIOR TO 5-72	A
-265	4294452	(AR)	• BOARD ASM, 01A-B2 (MOD 3)	C
-265	2521388	(AR)	• BOARD ASM, 01A-B3 (MOD 1 AND 2) 1X8, 2X8	
-265	2521398	(AR)	• BOARD ASM, 01A-B3 (MOD 1 AND 2) 3X8, 4X8	
-266	2181088	(48)	• SCREW, HEX SOC TRI-THRD FORM 6-32X.875 LG	
-266	257986	(48)	• WASHER, PLN .156 ID X .312 OD X .035 TH	
-272	819580	(AR)	• HOLDER, CARD (2HIGH 4 WIDE)	
-272	818002	(AR)	• HOLDER, CARD (3 HIGH 2 WIDE)	
-272	816983	(AR)	• HOUSING AND DUMMY CARD (3HIGH 2 WIDE)	
-274	819410	(AR)	• HOLDER, CABLE (3 HIGH) 1 AND 6 ROW	
-275	819411	(AR)	• EXTENDER, CABLE	
-282	2520935	(10)	• STUD	
-283	62031	(10)	• LOCKWASHER, INT TOOTH .141 ID X .295 OD	
-284	811427	(10)	• STRAP, CABLE RETAINING	

END OF ASSEMBLY. (EC448574/734120)

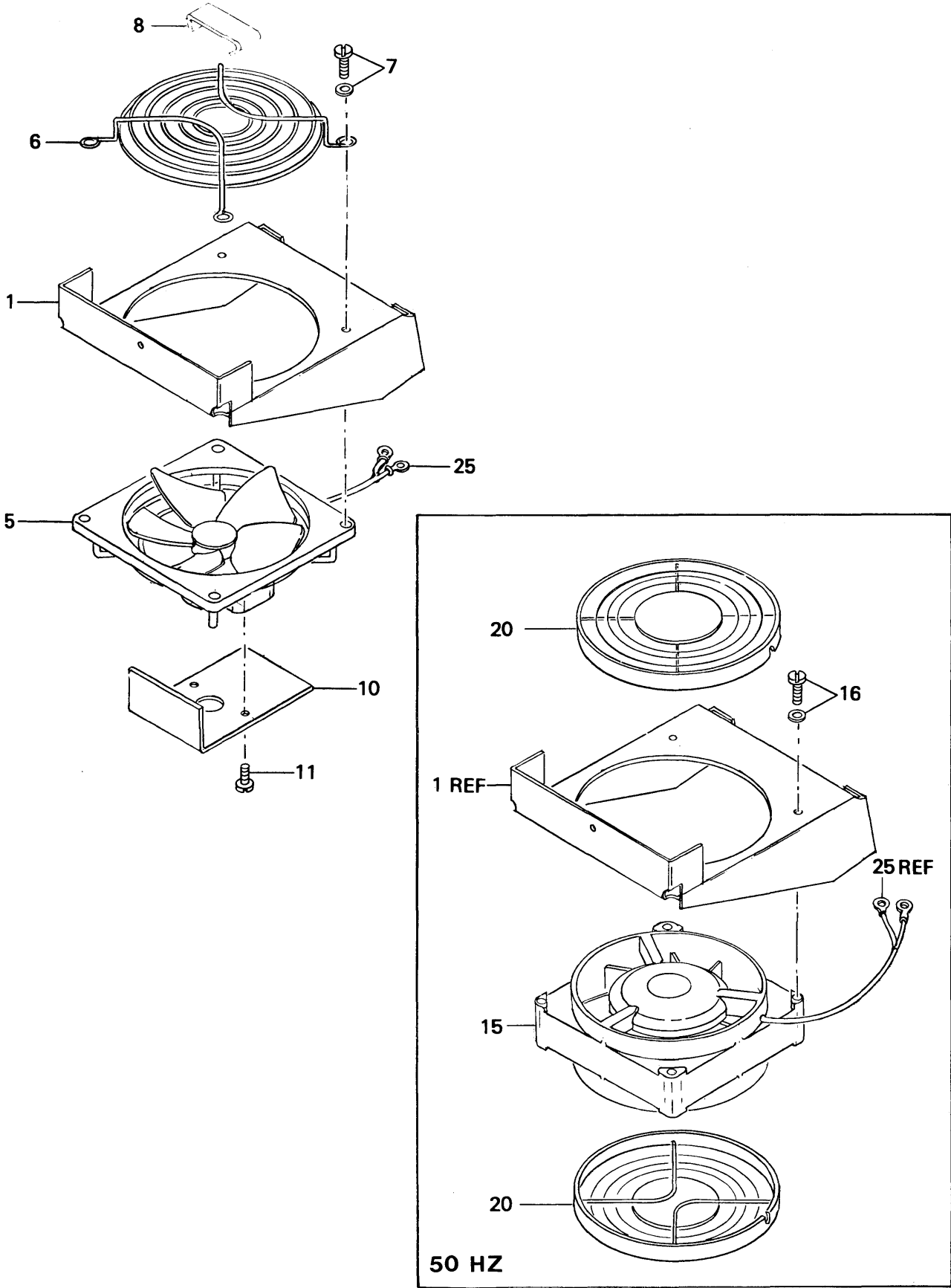


FIGURE 4. FAN ASM, DC POWER SUPPLY

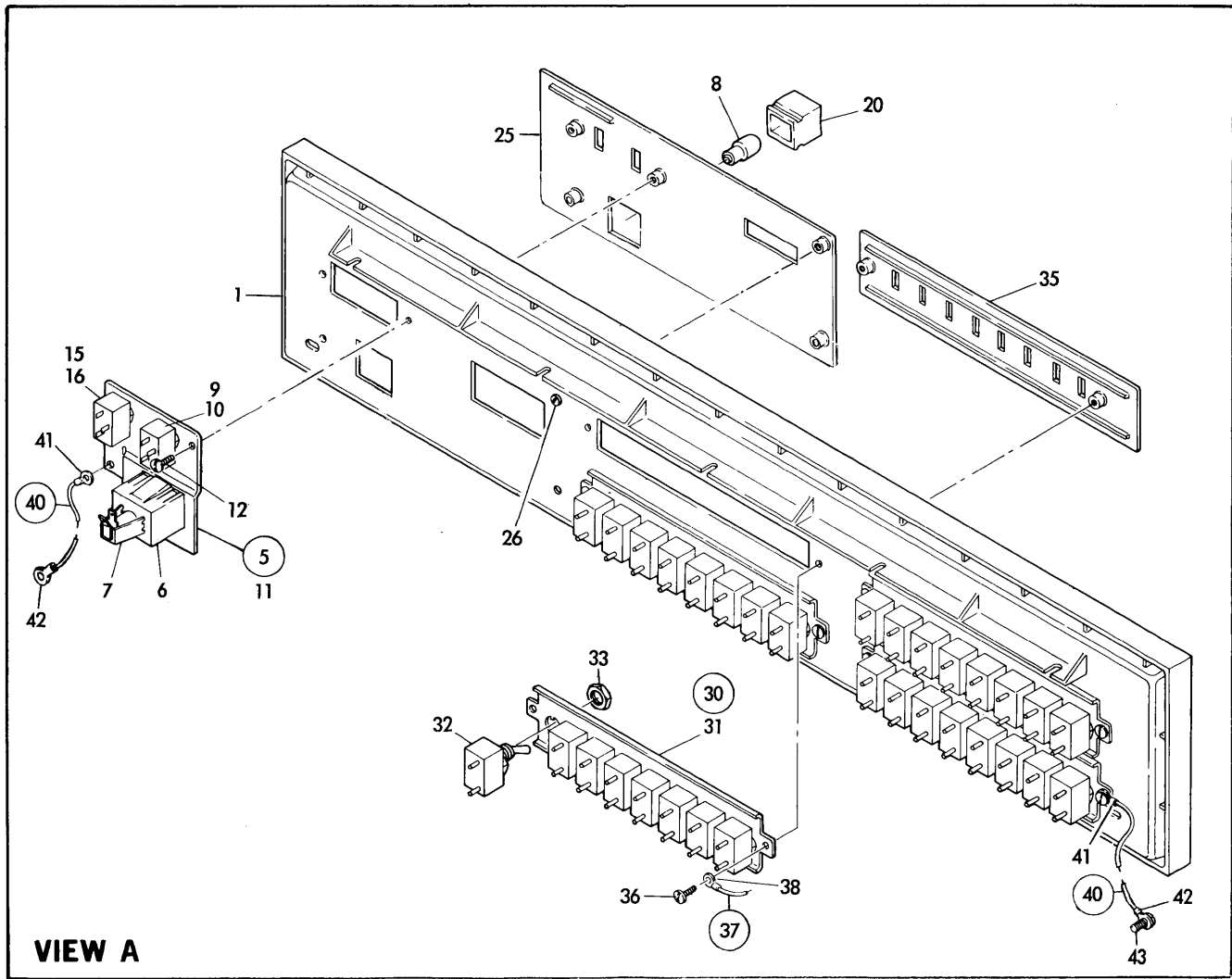
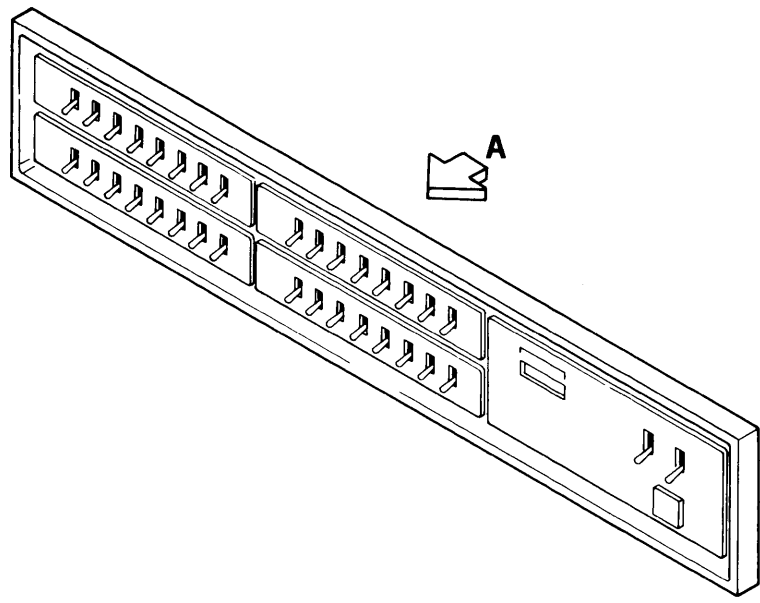
LIST AND INDEX	PART NUMBER	QTY	DESCRIPTION	NOTE
----------------	-------------	-----	-------------	------

NOTE D USED ON 60HZ

NOTE E USED ON 50HZ

4	-	2521455	FAN ASM, DC POWER SUPPLY (60HZ)	
	-	2521456	FAN ASM, DC POWER SUPPLY (50HZ)	
			FOR NEXT HIGHER ASM SEE FIG. 3 INDEX 8	
	-	1	2521470	(1) • BRACKET, FAN MOUNT
	-	5	5357090	(1) • FAN ASM, 208/230V (60HZ) D
	-	6	2172166	(1) • GUARD, FAN D
	-	7	322065	(4) • SCREW, BIND HD 6-32 X .625 LG. D
	-	7	56722	(4) • LOCKWASHER, EXT TOOTH .141 ID X .320 OD D
	-	8	1766189	(1) • INSULATOR, FAN GUARD D
	-	10	2521562	(1) • BRACKET, FAN GUARD D
	-	11	236849	(2) • SCREW, BIND HD 10-32 X .250 LG. D
	-	15	4120171	(1) • FAN ASM, 200/220/235V (50HZ) E
	-	16	81693	(4) • SCREW, BIND HD 6-32 X .375 LG. E
	-	16	56722	(4) • LOCKWASHER, EXT TOOTH .141 ID X .320 OD E
	-	20	4103890	(2) • GUARD, FAN E
	-	25	334921	(2) • TERMINAL, RING INS 18-22 AWG #6 MTG HOLE

END OF ASSEMBLY. (EC734501/734289)



VIEW A

FIGURE 5. PANEL GROUP, OPERATOR

LIST AND INDEX	PART NUMBER	QTY	DESCRIPTION	NOTE
----------------	-------------	-----	-------------	------

NOTE A USED ON MOD 1
 NOTE B USED ON MOD 2
 NOTE C USED ON MOD 3
 NOTE H WITH TWO CHANNEL SWITCH FEATURE

LIST AND INDEX	PART NUMBER	QTY	DESCRIPTION	NOTE
5	- NP		PANEL GROUP, OPERATOR FOR NEXT HIGHER ASM SEE FIG. 3 INDEX 54	
- 1	2520870	(1)	• PANEL, OPERATOR	
- 5	2520876	(1)	• SWITCH ASM, CHANNEL	
- 6	2373660	(1)	• • HOUSING, LAMP	
- 7	5397638	(1)	• • SOCKET, LAMP	
- 8	98608	(1)	• • LAMP, INCANDESCENT 8V 1/4 AMP	
- 9	738826	(1)	• • SWITCH, TOGGLE	
- 10	179743	(1)	• • NUT, PLN HEX 15/32-32 X .5625 FL W	
- 11	2520946	(1)	• • BRACET, SWITCH MOUNTING	
- 12	38235	(3)	• SCREW, BIND HD 6-32 X .312 LG	
- 15	738826	(1)	• SWITCH, TOGGLE	A, C
- 16	179743	(1)	• NUT, PLN HEX 15/32-32 X .5625 FL W	A, C
- 20	5367904	(1)	• LENS, POWER ON (ENGLISH/USA)	
- 20	821087	(1)	• LENS, POWER ON (ENGLISH/JAPAN)	
- 20	838651	(1)	• LENS, POWER ON (FRENCH)	
- 20	838650	(1)	• LENS, POWER ON (GERMAN)	
- 20	1765753	(1)	• LENS, POWER ON (ITALIAN)	B
- 20	1765754	(1)	• LENS, POWER ON (SPANISH)	B
- 25	2520903	(1)	• PANEL, METER (ENGLISH/USA)	
- 25	2520873	(1)	• PANEL, METER (ENGLISH/JAPAN)	H
- 25	2520907	(1)	• PANEL, METER (GERMAN)	
- 25	2520902	(1)	• PANEL, METER (GERMAN)	H
- 25	2520905	(1)	• PANEL, METER (FRENCH)	
- 25	2520901	(1)	• PANEL, METER (FRENCH)	H
- 25	1765747	(1)	• PANEL, METER (SPANISH)	B
- 25	1765751	(1)	• PANEL, METER (SPANISH)	B, H
- 25	1765745	(1)	• PANEL, METER (ITALIAN)	B
- 25	1765749	(1)	• PANEL, METER (ITALIAN)	B, H
- 26	10170	(2)	• SCREW, BIND HD 6-32 X .250 LG	
- 30	2520881	(AR)	• SWITCH ASM, 8 POSITION	
- 31	2520871	(1)	• • BRACKET, SWITCH MTG	
- 32	738825	(8)	• • SWITCH, TOGGLE	
- 33	179743	(8)	• • NUT, PLN HEX 15/32-32 X .5625 FL W	
- 35	2520874	(AR)	• PANEL, SWITCH (BLANK)	
- 35	2520872	(AR)	• PANEL, SWITCH (ENGLISH)	
- 35	2520900	(AR)	• PANEL, SWITCH (GERMAN)	
- 35	2520899	(AR)	• PANEL, SWITCH (FRENCH)	
- 35	2520872	(AR)	• PANEL, SWITCH (SPANISH)	B
- 35	1765741	(AR)	• PANEL, SWITCH (ITALIAN)	B
- 36	10170	(8)	• SCREW, BIND HD 6-32 X .250 LG	
- 37	528484	(AR)	• JUMPER ASM, GND (3.00 LG)	B
- 38	113750	(2)	• • TERMINAL, RING 16-18 AWG #10 MTG HOLE BRA	
- 40	1847603	(AR)	• JUMPER ASM, GND (4.00 LG)	B
- 41	483678	(1)	• • TERMINAL, RING 14-16 AWG #6 MTG HOLE	
- 42	483686	(1)	• • TERMINAL, RING 14-16 AWG #10 MTG HOLE (BRASS)	
- 43	2181004	(2)	• SCREW, HEXWSR TRI-THRD FORM 10-32X.375 LG	
- 43	56079	(2)	• LOCKWASHER, EXT TOOTH .195 ID X .410 OD	

END OF ASSEMBLY. (EC734092/734102)

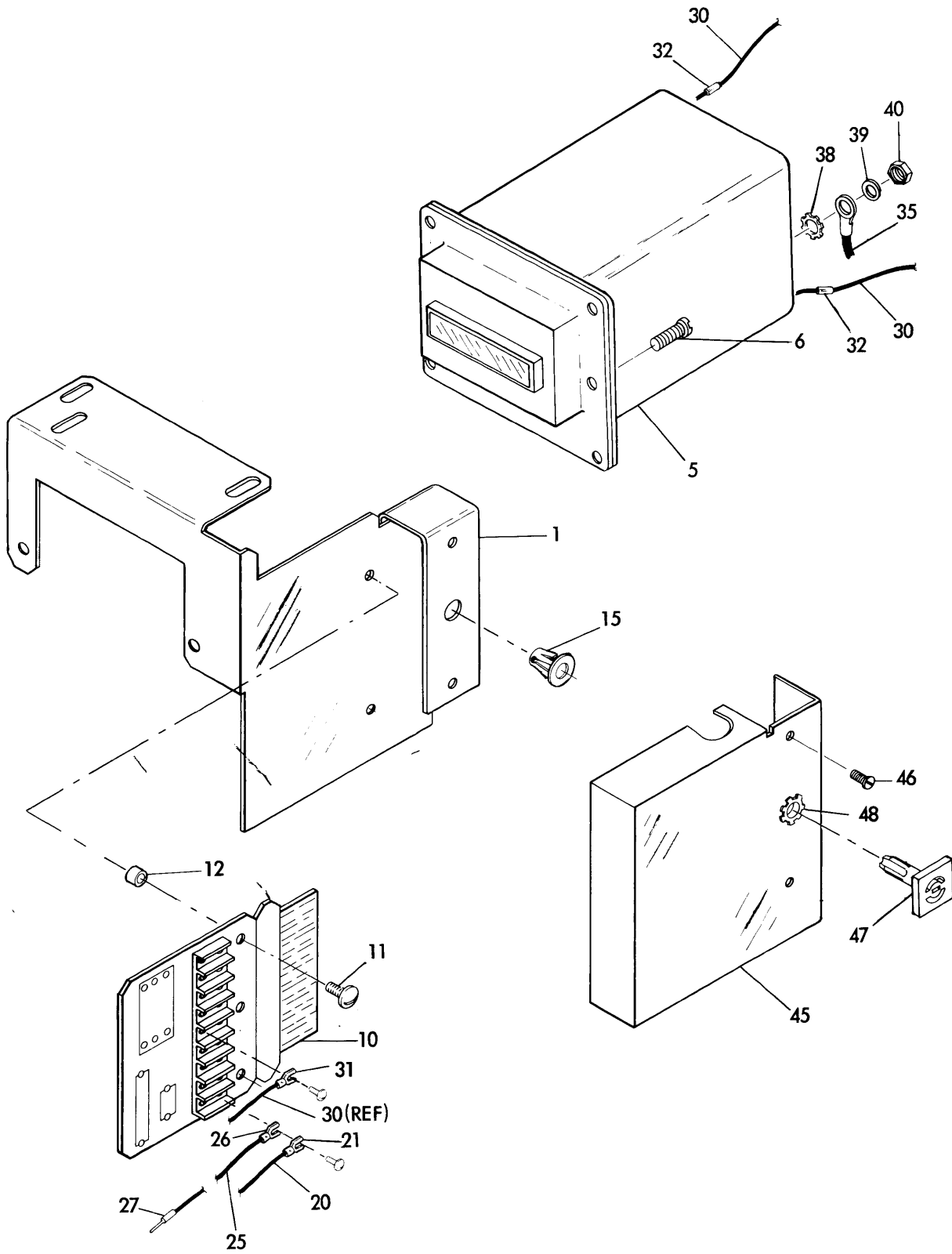


FIGURE 6. METER GROUP, USER

LIST AND INDEX	PART NUMBER	QTY	DESCRIPTION	NOTE
----------------	-------------	-----	-------------	------

NOTE D USED ON 60HZ
NOTE E USED ON 50HZ

6	-	NP	REF	METER GROUP, USER FOR NEXT HIGHER ASM SEE FIG. 3 INDEX 62	
-	1	2520866	(1)	• BRACKET	
-	5	740503	(1)	• CLOCK, USER (60HZ)	D
-	5	740608	(1)	• CLOCK, USER (50HZ)	E
-	6	38235	(2)	• SCREW, BIND HD 6-32 X .312 LG	
-	10	372688	(1)	• CARD ASM, TSTR METER	
-	11	81693	(2)	• SCREW, BIND HD 6-32 X .375 LG	
-	12	719180	(2)	• SPACER, .156 ID X .250 OD X .125 TH	
-	15	740491	(1)	• CLIP, TUBULAR/PERMANENT LOCK	
-	20	740550	(2)	• JUMPER ASM, 2.50 LG FROM CARD TB-6 TO CARD TB-7 FROM CARD TB-8 TO CARD TB-9	
-	21	2731733	(2)	• • TERMINAL, SPADE	
-	25	2520898	(1)	• JUMPER ASM, 60.50 LG FROM CARD TB-9 TO 01B2-E6E02	
-	26	313361	(1)	• • TERMINAL, SPADE 22-24 AWG #.199 MTG HOLE BRASS	
-	27	815933	(1)	• • TERMINAL, DISCRETE WIRE 20-18 AWG BRASS W/GOLD	
-	30	2520911	(2)	• JUMPER ASM, 8.00 LG FROM CARD TB-3 TO METER A TERMINAL FROM CARD TB-5 TO METER B TERMINAL	
-	31	313361	(1)	• • TERMINAL	
-	32	740623	(2)	• TUBING, YELLOW 0.480 LG	
-	35	5759506	(1)	• JUMPER ASM FROM CLOCK TO FRAME GROUND	
-	38	1090873	(1)	• LOCKWASHER, SPLIT .168 ID X .296 OD	
-	39	60646	(1)	• LOCKWASHER, INT TOOTH .164 ID X .340 OD	
-	40	257189	(1)	• NUT, HEX STEEL 8-32 X .344 FL W	
-	45	2503557	(1)	• COVER, CARD	
-	46	10170	(2)	• SCREW, BIND HD 6-32 X .250 LG	
-	47	740489	(1)	• RETAINER	
-	48	740571	(1)	• GROMMET	

END OF ASSEMBLY. (EC733855) REF 2520890

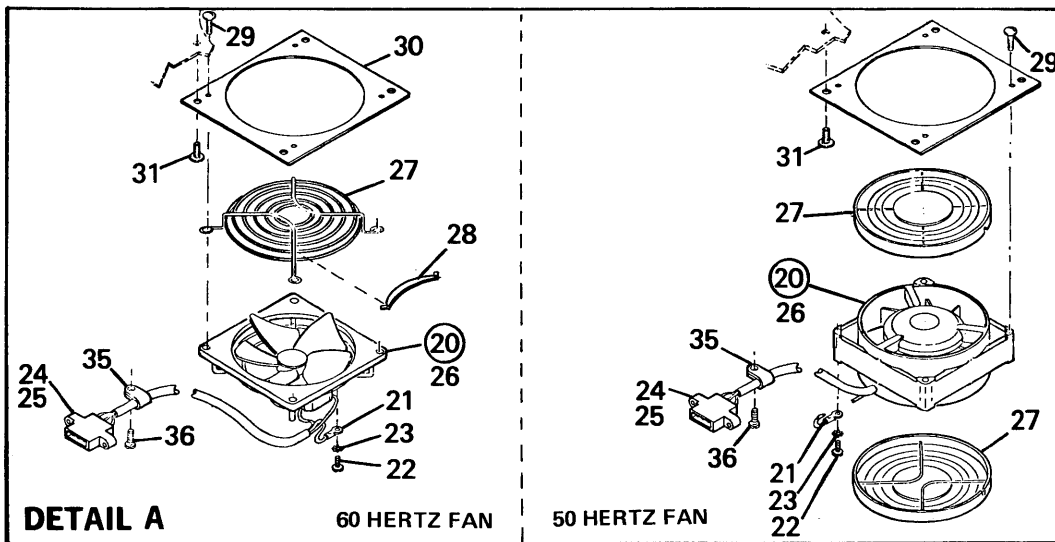
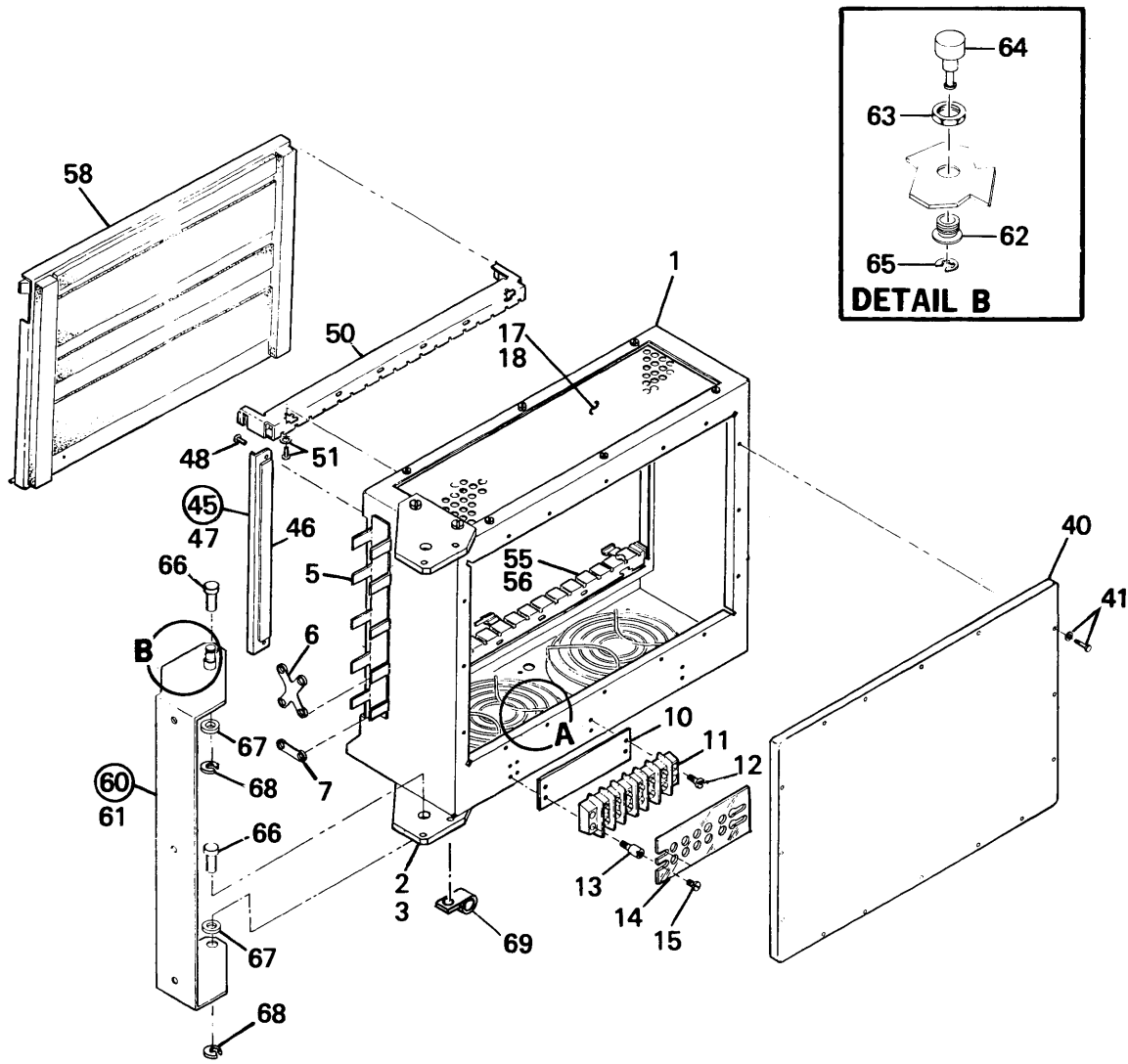


FIGURE 7. GATE ASM, AUXILIARY/MOD 2

LIST AND INDEX	PART NUMBER	QTY	DESCRIPTION	NOTE
----------------	-------------	-----	-------------	------

NOTE D USED ON 60HZ
NOTE E USED ON 50HZ
NOTE F NOT INCLUDED WITH ASM

7	-	1765737	GATE ASM, AUXILIARY/MOD 2 (60HZ)	
	-	1846310	GATE ASM, AUXILIARY/MOD 2 (50HZ) REQUIRED ON 1X8, 2X8 CONFIGURATION FOR NEXT HIGHER ASM SEE FIG. 3 INDEX 68	
	-	1	2517681 (1) • WELDMENT, GATE	
	-	2	1765733 (2) • PLATE, HINGE	
	-	3	332620 (4) • SCREW, BIND HD 10-32 X .500 LG	
	-	5	2590010 (1) • TROUGH, FLAT CABLE 8.00 LG	
	-	6	813519 (1) • STRAP, CABLE RETAINER, X-TYPE	
	-	7	811427 (4) • STRAP, CABLE RETAINER	
	-	10	319415 (1) • MARKER STRIP, 6 POS.	
	-	11	323843 (1) • TERM BLOCK, 6 POS.	
	-	12	322550 (2) • SCREW, BIND HD 6-32 X .500 LG	
	-	13	2125898 (2) • STUD, TAPPED MOUNTING 6-32 X 1.087 LG	
	-	14	352848 (1) • SHIELD, TERM BLOCK 6 POS.	
	-	15	10170 (2) • SCREW, BIND HD 6-32 X .250 LG	
	-	17	1765735 (1) • SCREEN, GATE	
	-	18	79778 (6) • SCREW, PAN HD SELF-TAP 6-32 X .312 LG	
	-	20	2503537 (2) • FAN AND CABLE ASM (60HZ)	D
	-	20	8036618 (2) • FAN AND CABLE ASM (50HZ)	E
	-	21	334932 (1) • • TERMINAL, RING INS 18-22 AWG # .197 MTG H	D
	-	21	334921 (1) • • TERMINAL, RING INS 18-22 AWG #6 MTG HOLE	E
	-	22	32617 (1) • • SCREW, BIND HD 10-32 X .438 LG	D
	-	22	81693 (1) • • SCREW, BIND HD 6-32 X .375 LG	E
	-	23	56722 (1) • • LOCKWASHER, EXT TOOTH .141 ID X .320 OD	
	-	24	5353854 (3) • • TERMINAL, MALE 16-20 AWG	
	-	25	5353853 (1) • • HOUSING, CABLE	
	-	26	5357090 (1) • • FAN ASM (60HZ)	D
	-	26	4120171 (1) • • FAN ASM (50HZ)	E
	-	27	2172166 (2) • GUARD, FAN (60HZ)	D
	-	27	4103890 (2) • GUARD, FAN (50HZ)	E
	-	28	2518266 (2) • CLIP, FAN GUARD	D
	-	29	322550 (8) • SCREW, BIND HD 6-32 X .500 LG	
	-	30	2518421 (2) • PLATE, FAN MTG	
	-	31	5319854 (8) • SCREW, HEXWSR TRI-THRD 8-32 X.375 LG	
	-	35	515661 (1) • CLAMP	
	-	36	28413 (1) • SCREW, BIND HD 10-32 X .312 LG	
	-	40	1765714 (1) • BOARD ASM, 01X-Y1 (3X8, 4X8)	F
	-	41	2181008 (16) • SCREW, BIND HD TRI-THRD FORM 8-32X.375 LG	F
	-	41	257986 (16) • WASHER, PLN .156 ID X .312 OD X .035 TH	F
	-	45	2517683 (1) • RETAINER ASM, CABLE	
	-	46	819299 (1) • • SEAL	
	-	47	2517684 (1) • • RETAINER	
	-	48	5528 (2) • SCREW, BIND HD 8-32 X .625 LG	
	-	50	819268 (1) • GUIDE, UPPER	
	-	51	811417 (2) • SCREW, HEX SOC HD TRI-THRD FORM 6-32X.500	
	-	51	257986 (2) • WASHER, PLN .156 ID X .312 OD X .035 TH	
	-	55	815879 (1) • GUIDE, LOWER	
	-	56	811417 (2) • SCREW, HEX SOC HD TRI-THRD FORM 6-32X.500	
	-	56	257986 (2) • WASHER, PLN .156 ID X .312 OD X .035 TH	
	-	58	819251 (1) • COVER ASM, LOGIC GATE (DOUBLE LATCH) FOR DETAIL BREAKDOWN SEE FIG. 9	
	-	60	1765736 (1) • BRACKET ASM, HINGE	
	-	61	1765731 (1) • • BRACKET, HINGE	
	-	62	4169570 (1) • • BUSHING, PIN	
	-	63	220032 (1) • • NUT, HEX .375-32X.09375 TH	
	-	64	4169571 (1) • • PIN, LOCKING	
	-	65	332747 (1) • • RING, RETAINING	
	-	66	1765734 (2) • PIN, HINGE	
	-	67	453 (2) • WASHER, PLN .406 ID X .812 OD X .062 TH	
	-	68	311072 (2) • CLIP, RETAINING	
	-	69	327921 (1) • CLAMP, CABLE	F

END OF ASSEMBLY. (EC734092)

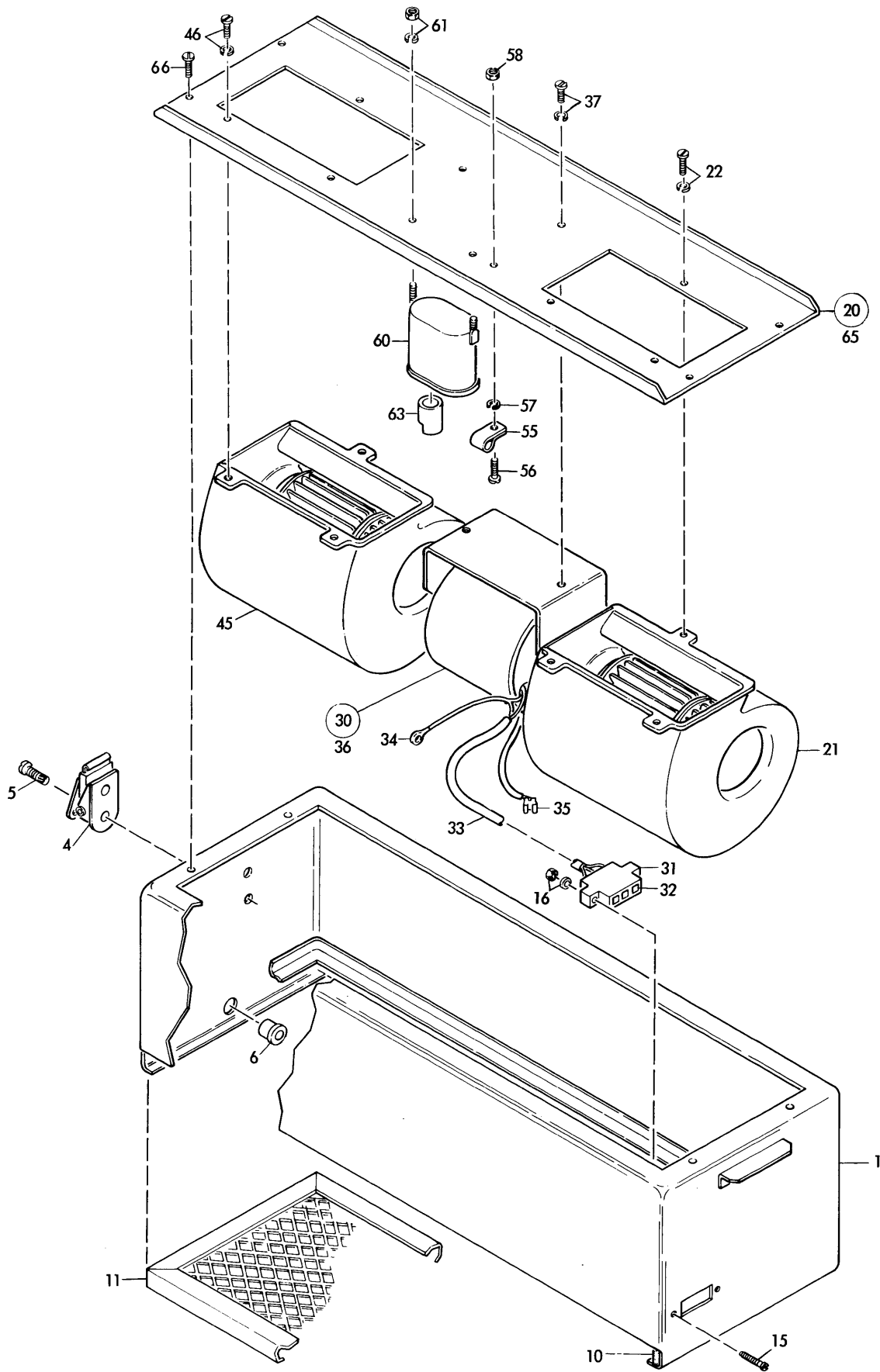


FIGURE 8. COOLING ASM, GATE

LIST AND INDEX	PART NUMBER	QTY	DESCRIPTION	NOTE
----------------	-------------	-----	-------------	------

NOTE D USED ON 60 HZ
 NOTE E USED ON 50 HZ
 NOTE H PCB TYPE CAPACITOR
 NOTE J NON-PCB TYPE CAPACITOR

8	-	2520918	COOLING ASM, GATE 208/230V (60HZ)	
	-	2520937	COOLING ASM, GATE 220V (50HZ)	
			FOR NEXT HIGHER ASM SEE FIG. 3 INDEX 232	
	-	1	5357011 (1) • HOUSING-DUPLEX BLOWER	
	-	4	5349888 (1) • LATCH	
	-	5	5357136 (2) • SCREW, PAN HD 4-40 X 0.187 THK	
	-	6	5357135 (1) • CATCH, BULLET	
	-	10	599557 (AR) • SEAL	
	-	11	2520917 (1) • FILTER-AIR	
	-	15	322065 (2) • SCREW, MACH-BIND HD 6-32 X 5/8 LG	
	-	16	56722 (2) • WASHER-LOCK EXT T, .150 ID	
	-	16	257187 (1) • NUT, HEX 6-32 NC	
	-	20	5357005 (1) • BLOWER ASM, DUPLEX (60HZ)	D, H
	-	20	1574905 (1) • BLOWER ASM, DUPLEX (60HZ)	D, J
	-	20	5357006 (1) • BLOWER ASM, DUPLEX (50HZ)	E, J
	-	21	5357144 (1) • • SCROLL AND WHEEL ASM (60HZ)	D
	-	21	5468306 (1) • • SCROLL AND WHEEL ASM (50HZ)	E
	-	22	81693 (3) • • SCREW, MACH-BIND HD 6-32 X 3/8 LG	
	-	22	56722 (3) • • WASHER-LOCK, EXT T, .150 ID	
	-	30	5357020 (1) • • MOTOR AND CONNECTOR ASSEMBLY	
	-	31	5353853 (1) • • • HOUSING, CONTACT	
	-	32	5353854 (3) • • • CONTACT, MALE 16-20 WIRE	
	-	33	253569 (AR) • • • INSULATION SLEEVING, ELEC- 0.375 ID	
	-	34	253740 (1) • • • TERMINAL, LUG-INS 10-12 AWG NO. 6 MTG HOLE	
	-	35	517913 (3) • • • CLIP, SLIP ON NO. 18-16 AWG	
	-	36	5357021 (1) • • • MOTOR ASM, 3350 RPM, 0.06 HP SP 50/60 HZ	
	-	37	130434 (2) • • SCREW, HEX HD 10-32 X .375 LG	
	-	37	56079 (2) • • LOCKWASHER, EXT TOOTH .195 ID X .410 OD	
	-	45	5357145 (1) • • SCROLL AND WHEEL ASM (60HZ)	D
	-	45	5468305 (1) • • SCROLL AND WHEEL ASM (50HZ)	E
	-	46	81693 (3) • • SCREW, MACH-BIND HD 6-32 X 3/8 LG	
	-	46	56722 (3) • • WASHER-LOCK, EXT TK .150 ID	
	-	55	804109 (1) • • CLAMP, LOOP - 3/8 ID 0.173 DIA MTG HOLE	
	-	56	81693 (1) • • SCREW, MACH-BIND HD 6-32 X 3/8 LG	
	-	57	56722 (1) • • WASHER-LOCK, EXT TK, .150 ID	
	-	58	257187 (1) • • NUT, HEX 6-32 NC	
	-	60	5357137 (1) • • CAPACITOR, PAPER AC 3UUF PM 10% 370V AC (PCB)	H
	-	60	5252823 (1) • • CAPACITOR, PAPER AC 3UUF P/M 10% 370V AC (NON-PCB)	J
	-	61	11598 (2) • • NUT, HEX 10-32 X 0.375 FL W	
	-	62	56079 (2) • • WASHER-LOCK EXT TK, .204 ID .410 OD	
	-	63	526378 (2) • • CAP, CAPACITOR	
	-	65	5357012 (1) • • PLATE-DUPLEX MOUNTING	
	-	66	740501 (4) • • SCREW, MACH-HEX HD 6-32 X 1/4 LG	

END OF ASSEMBLY. (EC732308S/732383)

LIST AND INDEX	PART NUMBER	QTY	DESCRIPTION	NOTE
----------------	-------------	-----	-------------	------

9 - 819251 COVER ASM, LOGIC GATE (DOUBLE LATCH)
 FOR NEXT HIGHER ASM SEE FIG. 3 INDEX 248 AND
 FIG. 7 INDEX 58

- 1 818300 (1) • SEAL
- 2 819289 (2) • SEAL
- 3 819287 (1) • SEAL
- 4 819299 (2) • SEAL, VERTICAL
- 5 819288 (1) • SEAL
- 13 819556 (1) • COVER, LATCH LEFT HAND
- 13 819557 (1) • COVER, LATCH RIGHT HAND
- 14 21419 (4) • RIVET
- 15 819558 (1) • LATCH, LEFT HAND
- 15 819559 (1) • LATCH, RIGHT HAND
- 16 819535 (2) • SPRING, COMPRESSION
- 18 815886 (1) • COVER

END OF ASSEMBLY. (EC188219)

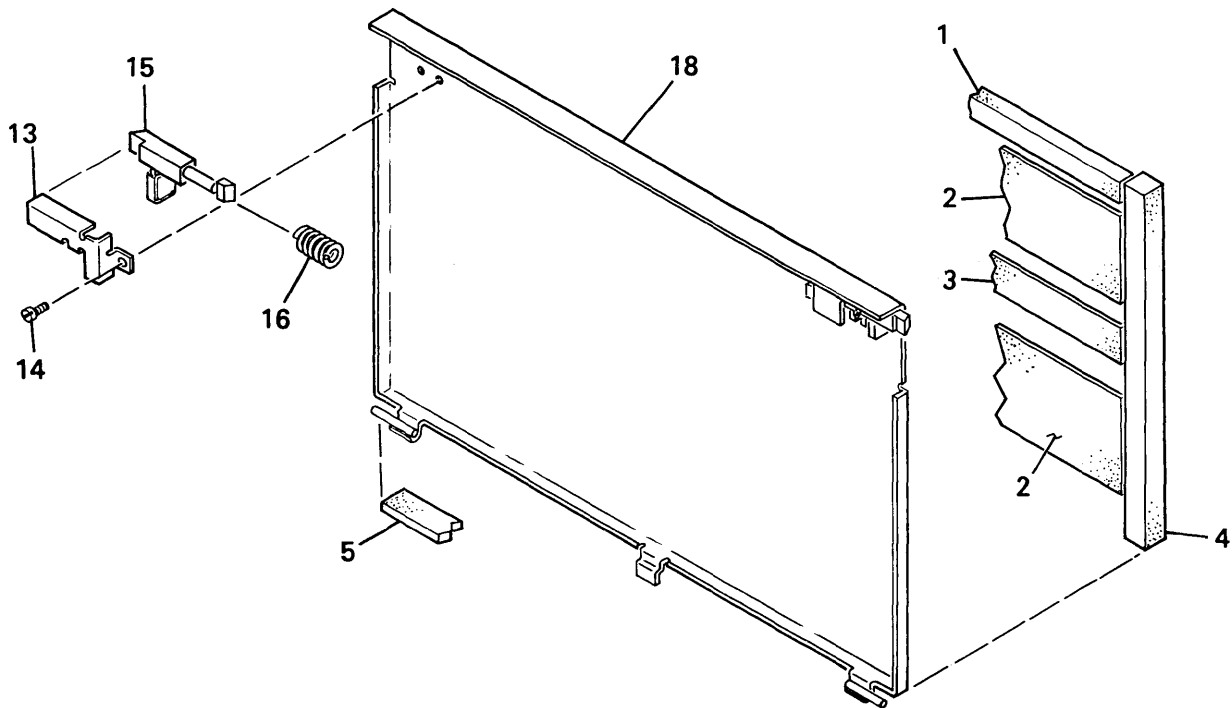


FIGURE 9. COVER ASM, LOGIC GATE (DOUBLE LATCH)

LIST AND INDEX	PART NUMBER	QTY	DESCRIPTION	NOTE
----------------	-------------	-----	-------------	------

**10 - 2520964 COVER ASM, LOGIC GATE (SINGLE LATCH)
FOR NEXT HIGHER ASM SEE FIG. 3 INDEX 249**

- | | | | |
|------|---------|-----|--------------------------|
| - 1 | 350830 | (1) | • CHANNEL, RUBBER |
| - 2 | 2520967 | (2) | • SEAL |
| - 3 | 2520968 | (1) | • SEAL |
| - 4 | 819299 | (2) | • SEAL, VERTICAL |
| - 5 | 819288 | (1) | • SEAL |
| - 13 | 819556 | (1) | • COVER, LATCH LEFT HAND |
| - 14 | 21419 | (4) | • RIVET |
| - 15 | 819558 | (1) | • LATCH, LEFT HAND |
| - 16 | 819535 | (2) | • SPRING, COMPRESSION |
| - 18 | 2520963 | (1) | • COVER |

END OF ASSEMBLY. (EC733836)

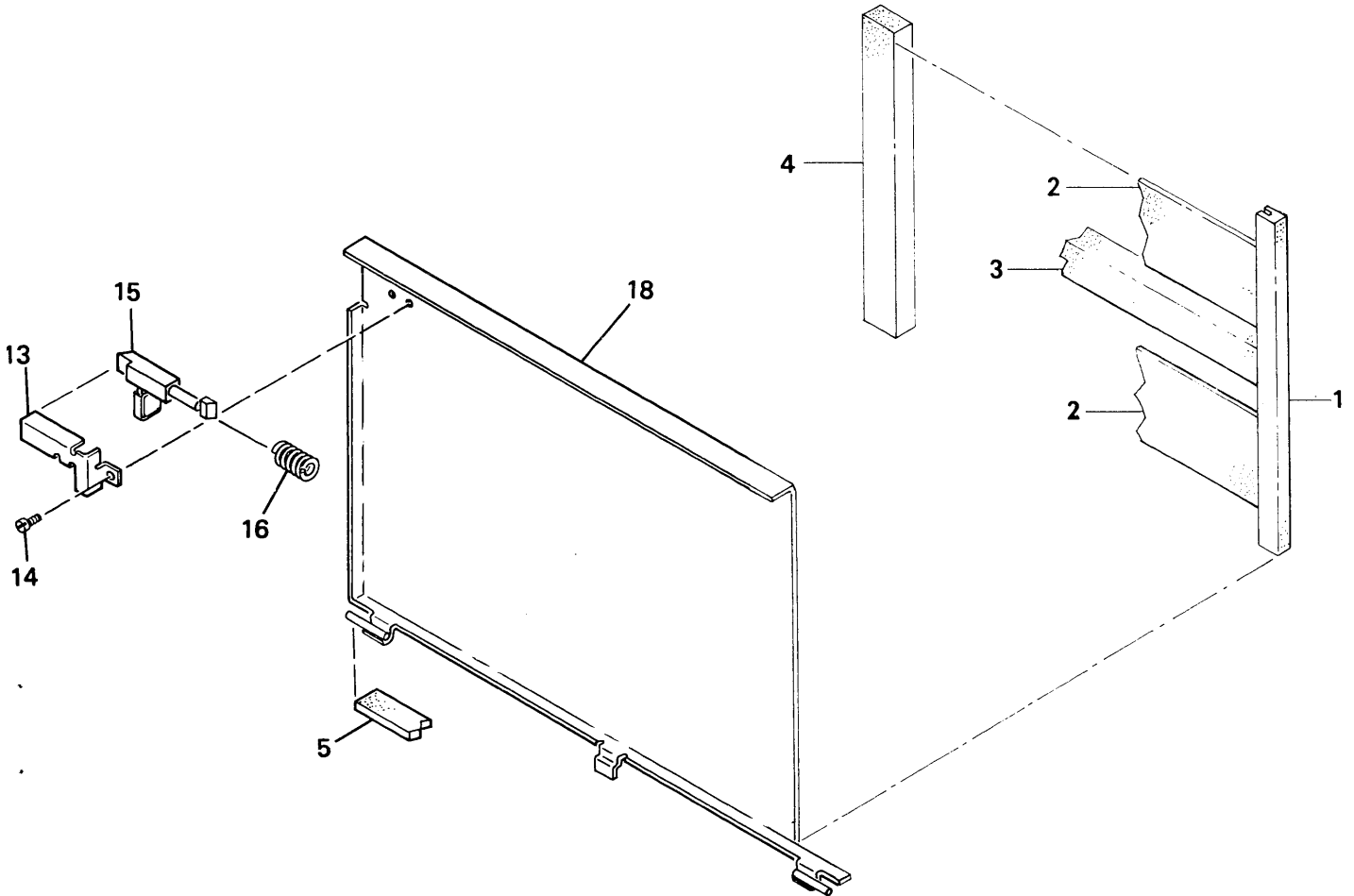


FIGURE 10. COVER ASM, LOGIC GATE (SINGLE LATCH)

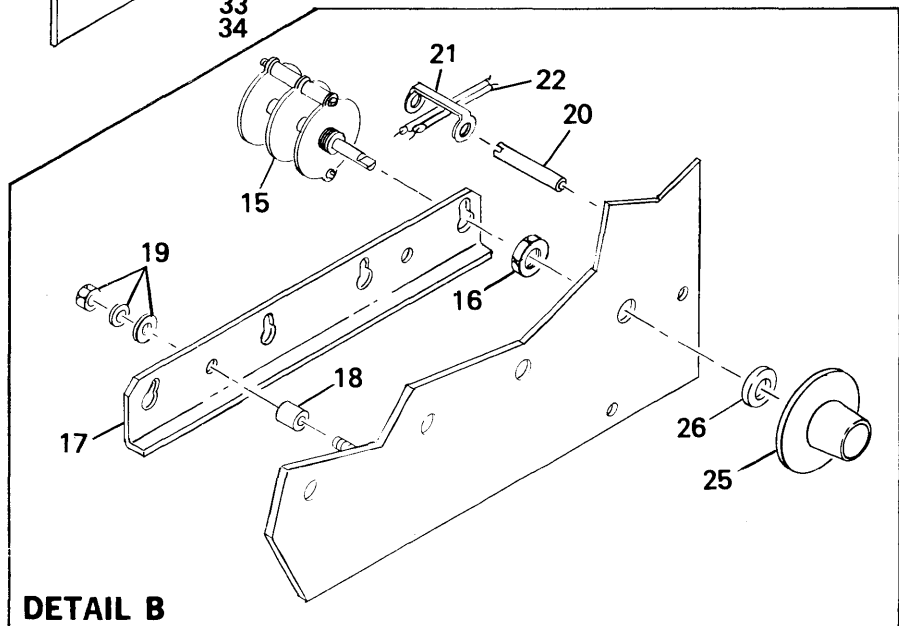
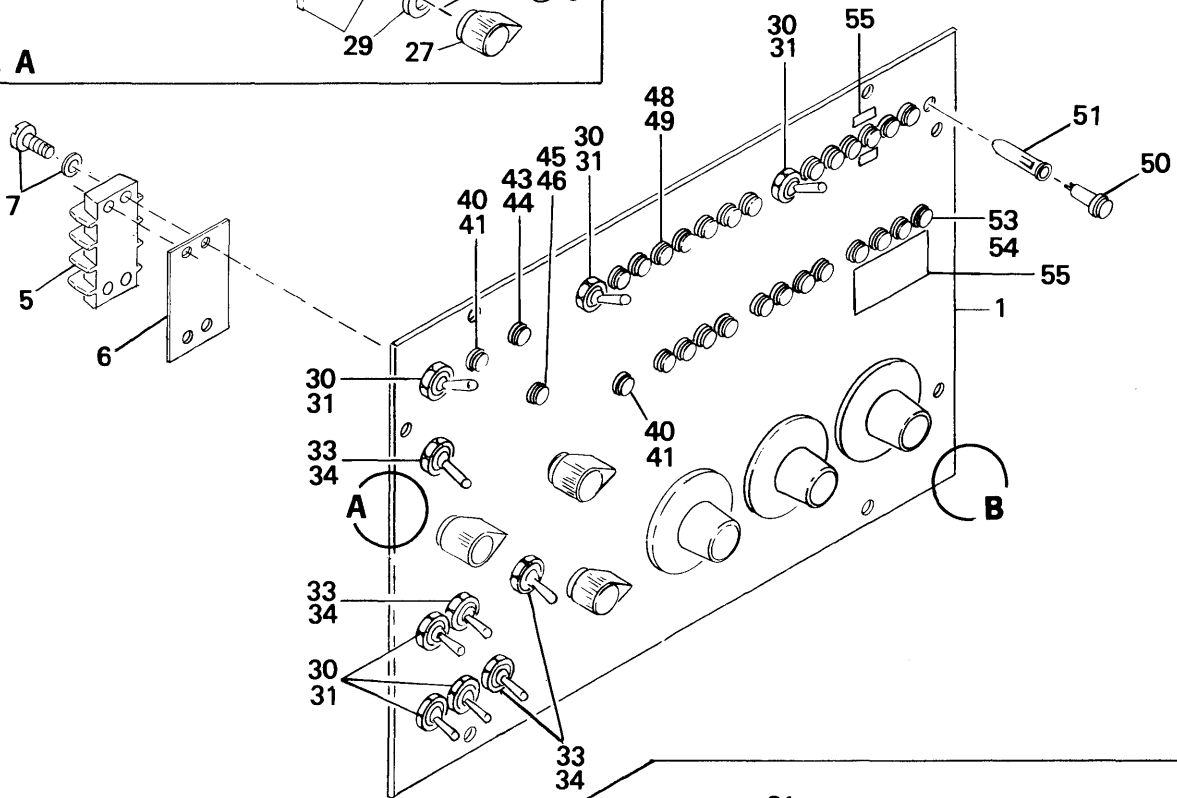
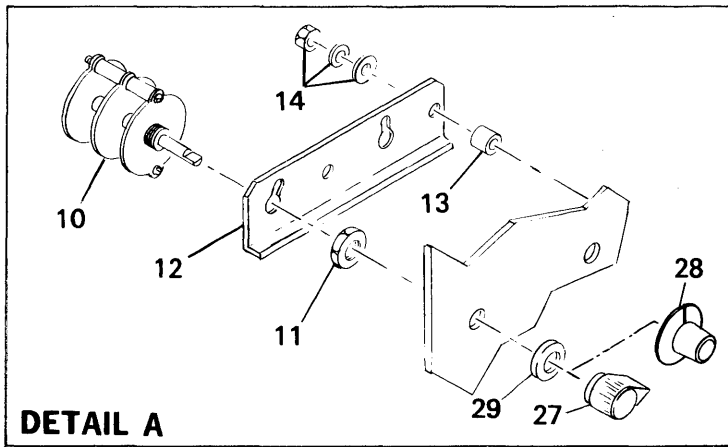


FIGURE 11. PANEL ASM, CE

LIST AND INDEX	PART NUMBER	QTY	DESCRIPTION	NOTE
----------------	-------------	-----	-------------	------

NOTE A USED ON MOD 1
 NOTE B USED ON MOD 2
 NOTE C USED ON MOD 3

11 -	2521416		PANEL ASM, CE (MOD 1)	
-	1846370		PANEL ASM, CE (MOD 2)	
-	4294555		PANEL ASM, CE (MOD 3)	
			FOR NEXT HIGHER ASM SEE FIG. 3 INDEX 258	
- 1	2521417	(1)	• PANEL, CE (MOD 1)	A, C
- 1	1846368	(1)	• PANEL, CE (MOD 2)	B
- 5	323837	(1)	• BLOCK, TERMINAL 3 POS.	
- 6	5327976	(1)	• INSULATION, TERM BLOCK	
- 7	38051	(2)	• NUT, PLAIN HEX 6-32 X 1/4 FL W	
- 7	62031	(2)	• LOCKWASHER, INT TOOTH .141 ID X .295 OD	
- 10	2588001	(2)	• SWITCH, ROTARY 16 POS. (W/NUT)	
- 11	NO NUMB	(2)	• NUT, SUPPLIED WITH ITEM 10	
- 12	2520939	(1)	• BRACKET, SWITCH 2 POS.	
- 13	2520940	(2)	• SPACER, SWITCH BRACKET	
- 14	22478	(2)	• WASHER, PLN .170 ID X .375 OD X .032 TH	
- 14	55901	(2)	• LOCKWASHER, EXT TOOTH .168 ID X .381 OD	
- 14	257189	(2)	• NUT, HEX STEEL 8-32 X .344 FL W	
- 15	2588001	(4)	• SWITCH ROTARY 16 POS. (W/NUT)	
- 16	NO NUMB	(4)	• NUT, SUPPLIED WITH ITEM 15	
- 17	2520938	(1)	• BRACKET, SWITCH 4 POS.	
- 18	2520940	(2)	• SPACER, SWITCH BRACKET	
- 19	22478	(2)	• WASHER, PLN .170 ID X .375 OD X .032 TH	
- 19	55901	(2)	• LOCKWASHER, EXT TOOTH .168 ID X .381 OD	
- 19	257189	(2)	• NUT, HEX STEEL 8-32 X .344 FL W	
- 20	2503148	(4)	• STUD, CABLE SUPPORT	
- 21	811427	(4)	• RETAINER CABLE	
- 22	2521025	(1)	• CABLE ASM, CE/PNL LAMPS TO LOGIC A1B2	
- 22	2521026	(1)	• CABLE ASM, CE/PNL LAMPS TO LOGIC A1B3	
- 22	2521027	(1)	• CABLE ASM, CE/PNL SW TO INTGRTR LOGIC A1V4	
- 22	2521028	(1)	• CABLE ASM, CE/PNL TO INTGRTR A1V4	
- 22	2521029	(1)	• CABLE ASM, CE/PNL TO INTGRTR A1V3	
			FOR CABLE COMPONENTS SEE LIST 25	
- 25	847110	(3)	• KNOB ASM, DIAL	
- 26	479986	(3)	• SPACER, CONTROL KNOB	
- 27	5312196	(3)	• KNOB, ROTARY (MOD 1)	A
- 28	2580016	(3)	• KNOB, ROTARY (MOD 2)	B
			ALSO USED ON LATE MOD 1 (AND MOD 3)	
- 28	5498301	(3)	• KNOB, ROTARY (MOD 1 AND 2) FRANCE	A, B
- 28	1797481	(3)	• KNOB, ROTARY (MOD 2) BRAZIL	B
- 29	479986	(3)	• SPACER, CONTROL KNOB	
- 30	738825	(6)	• SWITCH, TOGGLE SPST	
- 31	216323	(6)	• NUT, KNURLED, 0.469-32	
- 33	734886	(4)	• SWITCH, TOGGLE	
- 34	216323	(4)	• NUT, KNURLED, 0.469-32	
- 40	5372182	(2)	• INDICATOR, AMBER 4.5V	
- 41	5353887	(2)	• HOUSING, INDICATOR	
- 43	5466449	(1)	• INDICATOR, GREEN 4.5V	
- 44	5353887	(1)	• HOUSING, INDICATOR	
- 45	5372183	(1)	• INDICATOR, CLEAR 4.5V	
- 46	5353887	(1)	• HOUSING, INDICATOR	
- 48	5353885	(1)	• LENS, CLEAR (MOD 1 AND 3)	A, C
- 48	5372848	(1)	• INDICATOR, RED 4.5V (MOD 2)	B
- 49	4343887	(1)	• HOUSING, INDICATOR	
- 50	5372848	(13)	• INDICATOR, RED 4.5V	
- 51	5353887	(13)	• HOUSING, INDICATOR	
- 53	5372183	(12)	• INDICATOR, CLEAR 4.5V	
- 54	5353887	(12)	• HOUSING, INDICATOR	
- 55	4294547	(1)	• DECAL, CE PANEL (MOD 3)	C

END OF ASSEMBLY. (EC736702)

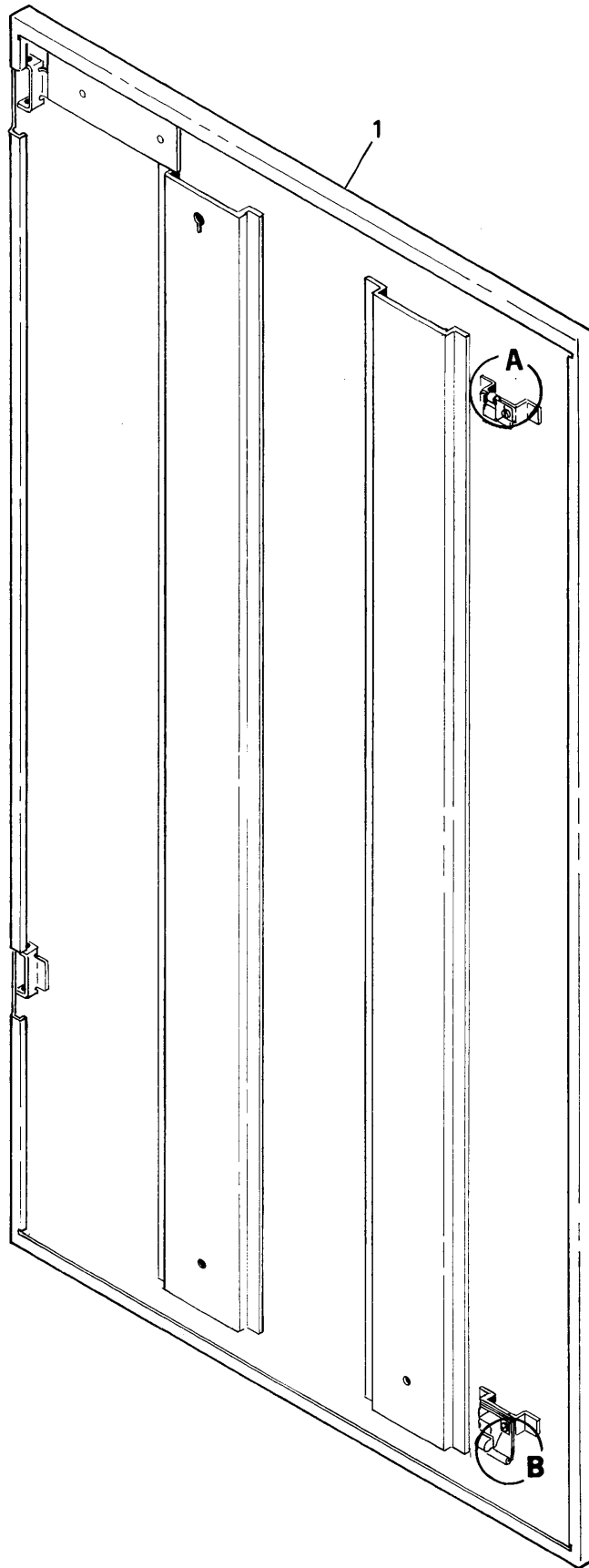
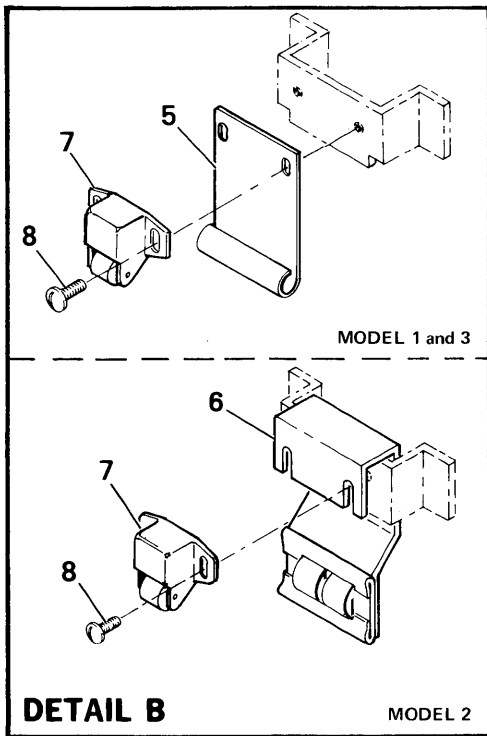
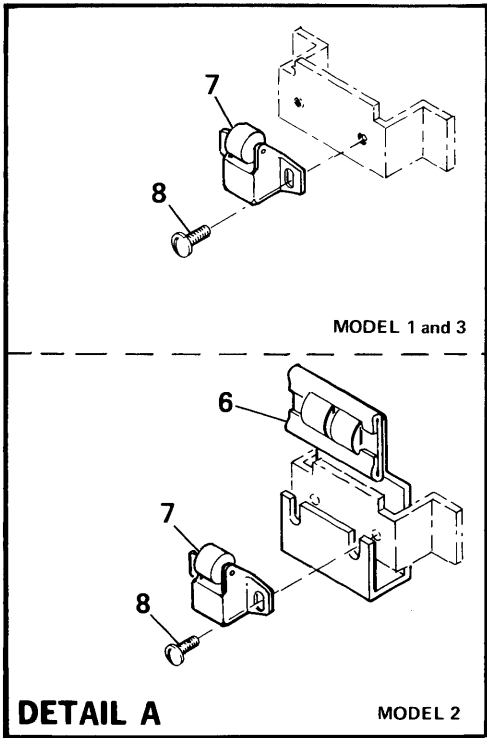


FIGURE 12. COVER ASM, REAR

LIST AND INDEX	PART NUMBER	QTY	DESCRIPTION	NOTE
----------------	-------------	-----	-------------	------

NOTE A USED ON MOD 1 AND 3
 NOTE B USED ON MOD 2

12 -	2521608		COVER ASM, REAR (MOD 1 AND 3/RED)	
-	1847608		COVER ASM, REAR (MOD 2/RED)	
-	2521609		COVER ASM, REAR (MOD 1 AND 3/BLUE)	
-	1847609		COVER ASM, REAR (MOD 2/BLUE)	
-	2521610		COVER ASM, REAR (MOD 1 AND 3/YELLOW)	
-	1847610		COVER ASM, REAR (MOD 2/YELLOW)	
-	2521611		COVER ASM, REAR (MOD 1 AND 3/GRAY)	
-	1847611		COVER ASM, REAR (MOD 2/GRAY)	
-	2521621		COVER ASM, REAR (MOD 1 AND 3/WHITE)	
-	1847621		COVER ASM, REAR (MOD 2/WHITE)	
			FOR NEXT HIGHER ASM SEE FIG. 1 INDEX 12	

-	1	NP	(1)	• COVER, REAR	
-	5	2520985	(1)	• SPRING, COVER (MOD 1 AND 3)	A
-	6	1847630	(2)	• FINGERSTOCK ASM (MOD 2)	B
-	7	513668	(2)	• CATCH, FRICTION	
-	8	81693	(4)	• SCREW, BIND HD 6-32 X .375 LG	

END OF ASSEMBLY. (EC733819-2521606/EC734092-1847606)

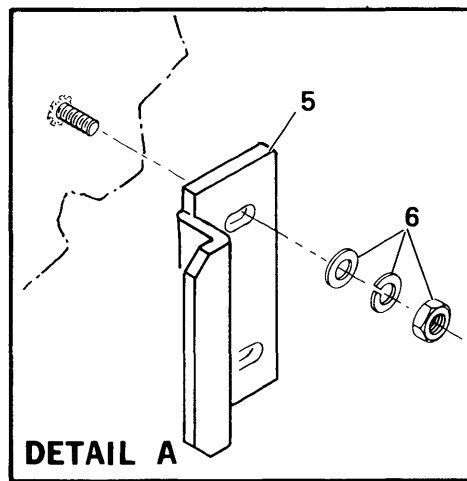
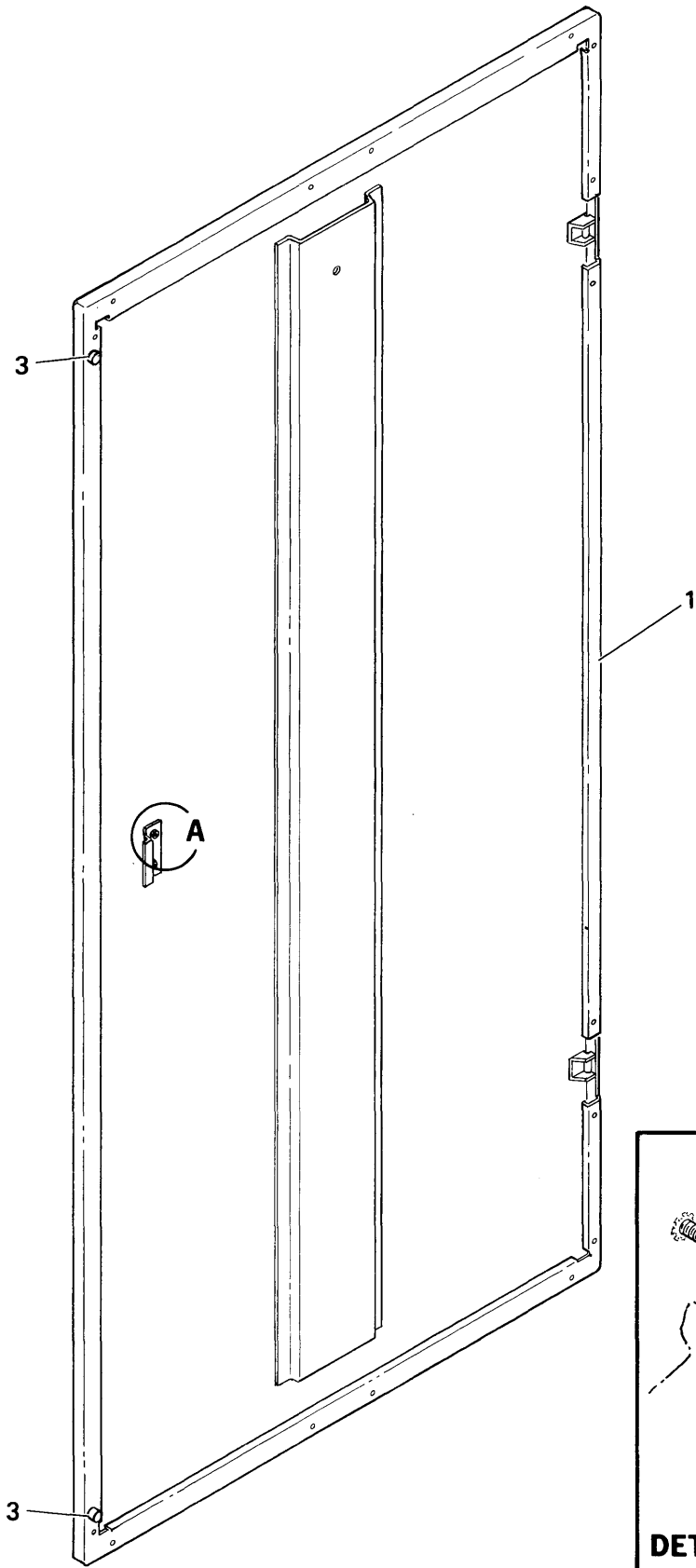


FIGURE 13. COVER ASM, SIDE

LIST AND INDEX	PART NUMBER	QTY	DESCRIPTION	NOTE
13 -	2520998		COVER ASM, SIDE (RIGHT)	
			FOR NEXT HIGHER ASM SEE FIG. 1 INDEX 20	
-	2521605		COVER ASM, SIDE (LEFT)	
			FOR NEXT HIGHER ASM SEE FIG. 1 INDEX 28	
- 1	NP	(1)	• COVER, SIDE (RIGHT)	
- 1	NP	(1)	• COVER, SIDE (LEFT)	
- 3	360193	(2)	• BUMPER, COVER	
- 5	5373646	(1)	• STRIKE, COVER	
- 6	47242	(2)	• WASHER, PLN .219 ID X .500 OD X .062 TH	
- 6	9092	(2)	• LOCKWASHER, SPLIT .194 ID X .337 OD	
- 6	11598	(2)	• NUT, HEX STEEL 10-32 X .375 FL W	

END OF ASSEMBLY. (EC733823/732380A)

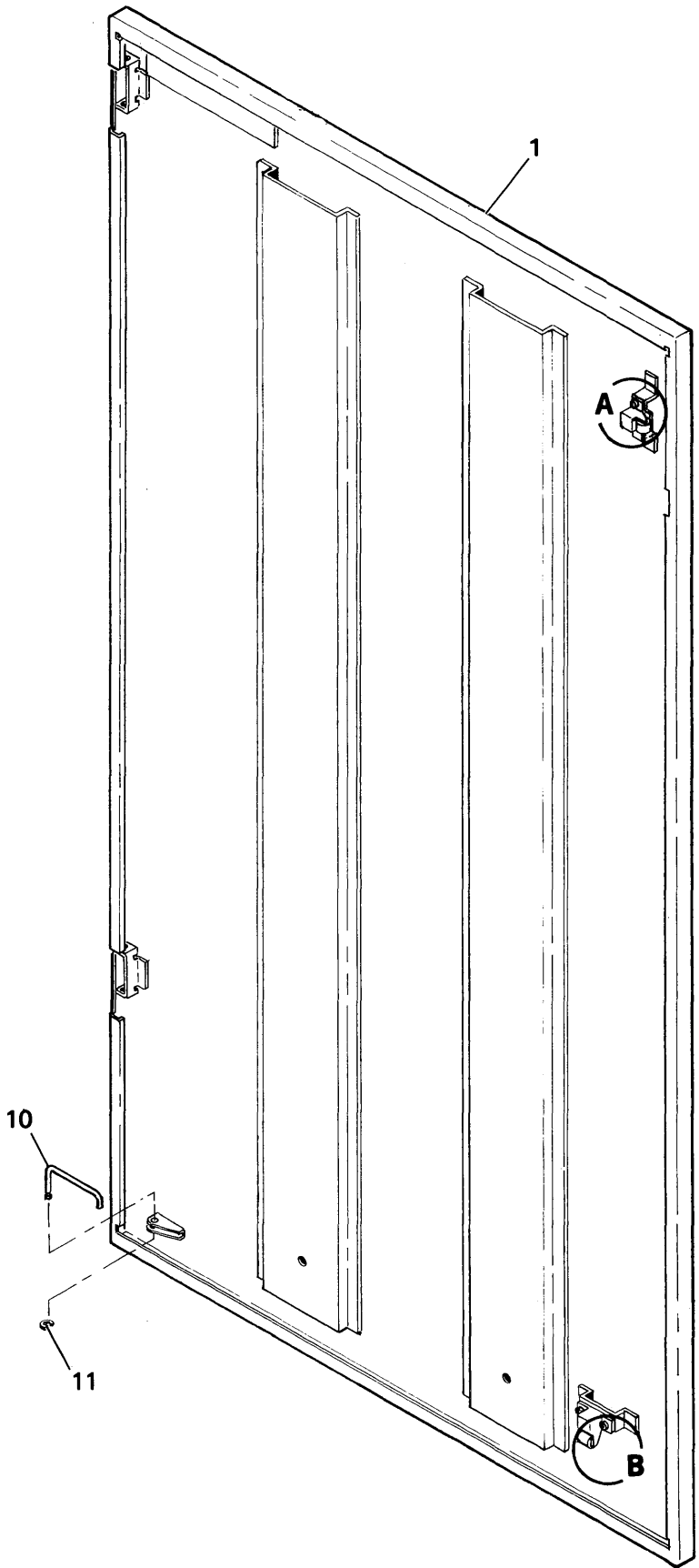
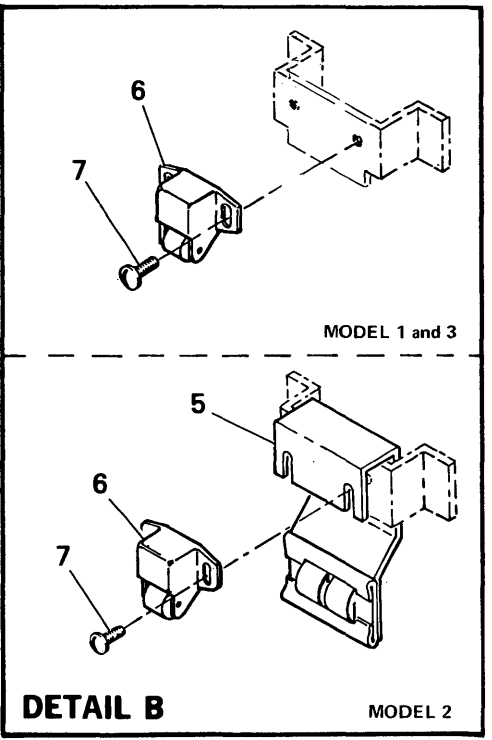
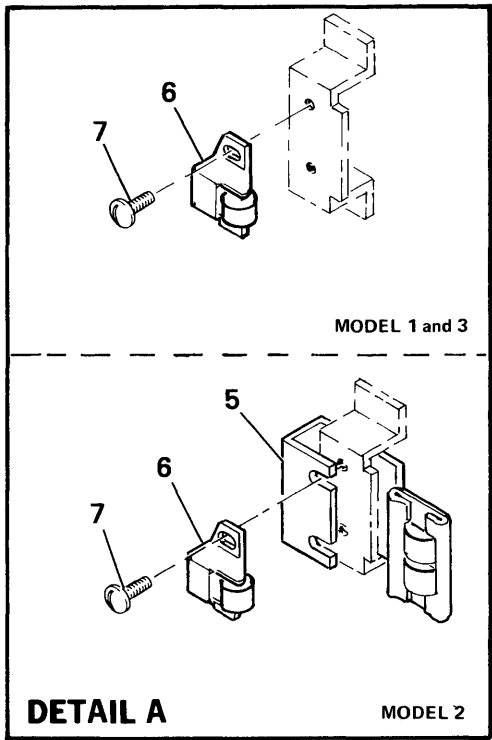


FIGURE 14. COVER ASM, FRONT

LIST AND INDEX	PART NUMBER	QTY	DESCRIPTION	NOTE
----------------	-------------	-----	-------------	------

NOTE B USED ON MOD 2

14 -	2521612		COVER ASM, FRONT (MOD 1 AND 3/RED)	
-	1847613		COVER ASM, FRONT (MOD 2/RED)	
-	2521613		COVER ASM, FRONT (MOD 1 AND 3/BLUE)	
-	1847614		COVER ASM, FRONT (MOD 2/BLUE)	
-	2521614		COVER ASM, FRONT (MOD 1 AND 3/YELLOW)	
-	1847615		COVER ASM, FRONT (MOD 2/YELLOW)	
-	2521615		COVER ASM, FRONT (MOD 1 AND 3/GRAY)	
-	1847616		COVER ASM, FRONT (MOD 2/GRAY)	
-	2521622		COVER ASM, FRONT (MOD 1 AND 3/WHITE)	
-	1847617		COVER ASM, FRONT (MOD 2/WHITE)	

FOR NEXT HIGHER ASM SEE FIG. 1 INDEX 35

- 1	NP	(1)	• COVER, FRONT	
- 5	1847630	(2)	• FINGERSTOCK ASM (MOD 2).....	B
- 6	513668	(2)	• CATCH, FRICTION	
- 7	81693	(4)	• SCREW, BIND HD 6-32 X .375 LG	
- 10	2520955	(1)	• ARM, STAY	
- 11	257982	(1)	• CLIP, RETAINING	

END OF ASSEMBLY. (EC732397-2521607/EC734106-1847605)

LIST AND INDEX	PART NUMBER	QTY	DESCRIPTION	NOTE
----------------	-------------	-----	-------------	------

NOTE B USED ON MOD 2

NUMERICAL LIST OF 3803 CABLE ASMS

-				
25 -	1766034	(AR)	CABLE ASM,GATE FAN. FOR COMPONENTS SEE 3D,4A,25,95,167	B
-	1766038	(AR)	CABLE ASM,BOARD DISTRIBUTION ASM FOR COMPONENTS SEE 3H,8,305A,306,308D	B
-	1766039	(AR)	CABLE ASM,DC DISTRIBUTION CABLE. FOR COMPONENTS SEE 3A,8B	B
-	2520987	(AR)	CABLE ASM,TAILGATE SA1-B3 TO BOARD B2T5 AND B2T2 FOR COMPONENTS SEE 41,41A,41C,41E,174,188,224A,231,231A,253	
-	2520988	(AR)	CABLE ASM,TAILGATE SA1-A7 TO BOARD B2V5 AND B2U5 FOR COMPONENTS SEE 41,41A,41C,41E,174,188,224A,231,231A,253	
-	2520989	(AR)	CABLE ASM,TAILGATE SA1-A3 TO BOARD B2T4 AND B2T3 FOR COMPONENTS SEE 41,41A,41C,41E,174,188,224A,231,231A,253	
-	2520990	(AR)	CABLE ASM,TAILGATE SA1-B7 TO BOARD B2V4 AND B2U4 FOR COMPONENTS SEE 41,41A,41C,41E,174,188,224A,231,231A,253	
-	2520991	(AR)	CABLE ASM,TAILGATE SA1-A1 TO BOARD B2Z5 AND B2Z6 FOR COMPONENTS SEE 41,41A,41C,41E,174,188,224A,231,231A,253	
-	2520992	(AR)	CABLE ASM,TAILGATE SA1-B5 TO BOARD B2V2 AND B2U2 FOR COMPONENTS SEE 41,41A,41C,41E,174,188,224A,231,231A,253	
-	2520993	(AR)	CABLE ASM,TAILGATE SA1-A5 TO BOARD B2V3 AND B2U3 FOR COMPONENTS SEE 41,41A,41C,41E,174,188,224,231,231A,253	
-	2520994	(AR)	CABLE ASM,TAILGATE SA1-B1 TO BOARD B2Y5 AND B2Y6 FOR COMPONENTS SEE 41,41A,41C,41E,174,188,224A,231,231A,253	
-	2521025	(AR)	CABLE ASM,CE/PANEL LAMPS TO LOGIC A1B2 FOR COMPONENTS SEE 41,225C	
-	2521026	(AR)	CABLE ASM,CE/PANEL LAMPS TO LOGIC A1B3 FOR COMPONENTS SEE 41,225C	
-	2521027	(AR)	CABLE ASM,CE/PANEL SW TO INTGRTR LOGIC A1V4 FOR COMPONENTS SEE 27A,225C	
-	2521028	(AR)	CABLE ASM,CE/PANEL TO LOGIC INTGRTR A1V5 FOR COMPONENTS SEE 225C	
-	2521029	(AR)	CABLE ASM,CE/PANEL TO LOGIC GATE INTGRTR A1V3 FOR COMPONENTS SEE 225C	
-	2521415	(AR)	CABLE ASM,GATE BLOWER POWER FOR COMPONENTS SEE 3E,3F,25,167C	
-	2521452	(AR)	CABLE ASM,AC RELAY SEQUENCE FOR COMPONENTS SEE 3D,3E,3F,4A,25E,27C,27D,27G,80,146A, 156A,166	
-	2521497	(AR)	CABLE ASM,DC USAGE METER TO CE PNL FOR COMPONENTS SEE 3E,3F,5D,17D,27C,38,67A,151B	
-	2521498	(AR)	CABLE ASM,AC USAGE METER TO CE PNL FOR COMPONENTS SEE 3E,17D	
-	2521524	(AR)	CABLE ASM,AC DIST CP1/J1 (50HZ) FOR COMPONENTS SEE 3D,21A,82	
-	2521525	(AR)	CABLE ASM,AC DIST CP2/J2 (50HZ) FOR COMPONENTS SEE 9B,82	
-	2521532	(AR)	CABLE ASM,AC DIST K7/K8 OUTPUT (60HZ) FOR COMPONENTS SEE 3U,8B	
-	2521533	(AR)	CABLE ASM,AC DIST K7/K8 INPUT (60HZ) FOR COMPONENTS SEE 8B	

LIST AND INDEX	PART NUMBER	QTY	DESCRIPTION	NOTE
25 -	2521534	(AR)	CABLE ASM,AC DIST CP2/J2 FOR COMPONENTS SEE 3D,82	
-	2521535	(AR)	CABLE ASM,AC DIST CP1/J1 FOR COMPONENTS SEE 3D,21A,82	
-	2521537	(AR)	CABLE ASM,J10 TO TB1-TB2 FOR COMPONENTS SEE 3E,3F,67A,151B	
-	2521542	(AR)	CABLE ASM,AC DIST K7/K8 INPUT (50HZ) FOR COMPONENTS SEE 3U,8B	
-	2521543	(AR)	CABLE ASM,AC DIST K7/K8 OUTPUT (50HZ) FOR COMPONENTS SEE 3U,8B	
-	2521553	(AR)	CABLE ASM,CONVENIENCE OUTLET (60HZ) FOR COMPONENTS SEE 21A	
-	2521554	(AR)	CABLE ASM,CONVENIENCE OUTLET (50HZ) FOR COMPONENTS SEE 21A,OUTLET P/N 418835	
-	2521591	(AR)	CABLE ASM,AC RELAY SEQ (50HZ) FOR COMPONENTS SEE 3D,3E,3F,4A,25E,27C,27D,27G,80, 146A,156A,166	
-	2524606	(AR)	CABLE ASM,PWR ATTACH 6 FT (60HZ) FOR COMPONENTS SEE 8B,10A,12C,127A	
-	2524607	(AR)	CABLE ASM,PWR ATTACH 15 FT (60HZ) FOR COMPONENTS SEE 8B,10A,12C,127A	
-	2524608	(AR)	CABLE ASM,PWR ATTACH 15 FT (WTC) FOR COMPONENTS SEE 9,9J,10A,12C	
-	2521612	(AR)	CABLE ASM,PWR ATTACH 15FT (JAPAN) FOR COMPONENTS SEE 4A,10A,12C	
-	1	804715	• TERMINAL, RING INS CRIMP 18-22 AWG #3 OF 4 MTG HOLE	
-	1A	442585	• TERMINAL, RING INS 10-12 AWG #3/8 MTG HOLE	
-	1B	501453	• TERMINAL, RING INS 14-16 AWG #3/8 MTG HOLE	
-	2	1092019	• TERMINAL, RING 22-16 AWG #.145 MTG HOLE	
-	3	124439	• TERMINAL, RING INS 8 AWG #10 MTG HOLE COPPER	
-	3A	186968	• TERMINAL, RING INS 10-12 AWG #8 MTG HOLE COPPER	
-	3B	322025	• TERMINAL, RING INS 14-16 AWG #1/4 MTG HOLE COPPER	
-	3C	334768	• TERMINAL, RING INS 18-22 AWG #.266 MTG HOLE COPPER	
-	3D	334910	• TERMINAL, RING INS 16-14 AWG #0.145 MTG HOLE	
-	3E	334921	• TERMINAL, RING INS 18-22 AWG #6 MTG HOLE	
-	3F	334932	• TERMINAL, RING INS 18-22 AWG #.197 MTG HOLE	
-	3G	356705	• TERMINAL, RING INS YELLOW 14-16 AWG #8 MTG HOLE	
-	3H	360370	• TERMINAL, RING INS 14-16 AWG .171 MTG HOLE	
-	3J	504879	• TERMINAL, RING INS 6-10 AWG #10 MTG HOLE	
-	3K	523276	• TERMINAL, RING INS 18-22 AWG #0.390 MTG HOLE COPPER	
-	3L	806715	• TERMINAL, RING INS 22-26 AWG #8 MTG HOLE	
-	3M	2102617	• TERMINAL, RING INS 8 AWG #10 MTG HOLE	
-	3N	483573	• TERMINAL, RING INS 22-30 AWG #4 MTG HOLE	
-	3P	2286616	• TERMINAL, RING INS 14-16 AWG #6 MTG HOLE	
-	3R	2286617	• TERMINAL, RING INS 14-16 AWG #8 MTG HOLE	
-	3S	2267995	• TERMINAL, RING INS 10-12 AWG #8 MTG HOLE	
-	3T	253453	• TERMINAL, RING INS 30-22 AWG #6 MTG HOLE	
-	3U	253740	• TERMINAL, RING INS 10-20 AWG #6 MTG HOLE	
-	4	186596	• TERMINAL, RING INS MAX .230 14-16 AWG #10 MTG HOLE	
-	4A	359695	• TERMINAL, RING INS MAX .150 14-16 AWG #10 MTG HOLE	
-	5	124440	• TERMINAL, RING 20-24 AWG #4 MTG HOLE BRASS	
-	5A	186959	• TERMINAL, RING 14-16 AWG #8 MTG HOLE BRASS	
-	5B	186960	• TERMINAL, RING 14-18 AWG #10 MTG HOLE BRASS	
-	5C	186961	• TERMINAL, RING 16-18 AWG #6 MTG HOLE BRASS	
-	5D	186962	• TERMINAL, RING 20-24 AWG #6 MTG HOLE BRASS	
-	5E	187459	• TERMINAL, RING 20-24 AWG #8 MTG HOLE BRASS	
-	5F	257284	• TERMINAL, RING 16-18 AWG #10 MTG HOLE BRASS	
-	5G	2101657	• TERMINAL, RING 18 AWG #8 MTG HOLE	
-	5H	313289	• TERMINAL, RING 20-24 AWG #10 MTG HOLE	
-	6	113750	• TERMINAL, RING 16-18 AWG #10 MTG HOLE BRASS	
-	7	82725	• TERMINAL, RING INS 6 AWG #1/4 MTG HOLE	
-	8	92784	• TERMINAL, RING INS 18-20-22 AWG #8 MTG HOLE COPPER	
-	8A	2114849	• TERMINAL, RING INS BARREL 14-16 AWG #6 HOLE COPPER	
-	8B	2101326	• TERMINAL, RING INS BARREL 10-12 AWG #10 MTG HOLE	
-	8C	2101327	• TERMINAL, RING INS BARREL 10-12 AWG #1/4 MTG HOLE	

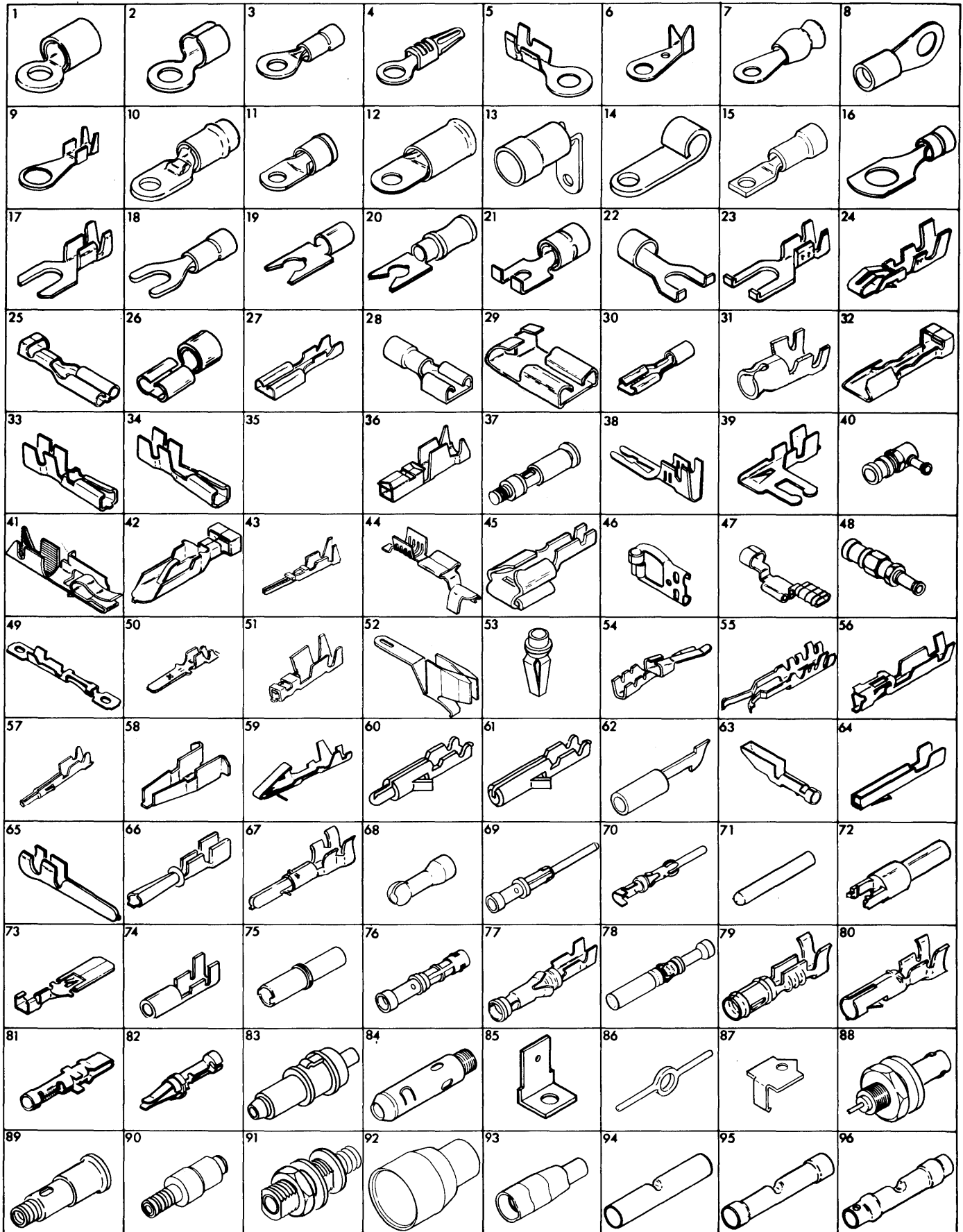


FIGURE 25. CABLE COMPONENTS (SHEET 1 OF 4)

25 - 9	483689	• TERMINAL, RING 14-16 AWG #.250 MTG HOLE
- 9A	483677	• TERMINAL, RING 18-20 AWG #6 MTG HOLE
- 9B	483678	• TERMINAL, RING 14-16 AWG #6 MTG HOLE
- 9C	483680	• TERMINAL, RING 22-26 AWG #8 MTG HOLE (BRASS)
- 9D	483681	• TERMINAL, RING 18-20 AWG #8 MTG HOLE (BRASS)
- 9E	483682	• TERMINAL, RING 14-16 AWG #8 MTG HOLE (BRASS)
- 9F	483683	• TERMINAL, RING 10-12 AWG #8 MTG HOLE (BRASS)
- 9G	483684	• TERMINAL, RING 22-26 AWG #10 MTG HOLE (BRASS)
- 9H	483685	• TERMINAL, RING 18-20 AWG #10 MTG HOLE (BRASS)
- 9J	483686	• TERMINAL, RING 14-16 AWG #10 MTG HOLE (BRASS)
- 9K	483687	• TERMINAL, RING 10-12 AWG #10 MTG HOLE (BRASS)
- 9L	483688	• TERMINAL, RING 18-20 AWG #.250 MTG HOLE (BRASS)
- 9M	483676	• TERMINAL, RING 22-26 AWG #6 MTG HOLE (BRASS)
- 9N	483679	• TERMINAL, RING 10-12 AWG #6 MTG HOLE
- 9P	483690	• TERMINAL, RING 10-12 AWG #.250 MTG HOLE
- 9Q	483674	• TERMINAL, RING 22-26 AWG #4 MTG HOLE
- 9R	483675	• TERMINAL, RING 18-20 AWG #4 MTG HOLE (BRASS)
- 9T	438673	• TERMINAL, RING 18-20 AWG #2 MTG HOLE (BRASS)
- 10	540674	• TERMINAL, RING INS 8 AWG #0.198 MTG HOLE
- 10A	5328176	• TERMINAL, RING 4 AWG 0.198 MTG HOLE
- 11	335327	• TERMINAL, RING INS 8-10 AWG #7/32 MTG HOLE
- 11B	501092	• TERMINAL, RING INS 4-6 AWG #0.25 MTG HOLE
- 11C	482389	• TERMINAL, RING INS 8 AWG #6 MTG HOLE
- 12	319895	• TERMINAL, RING INS 8 AWG #0.391 MTG HOLE
- 12A	335383	• TERMINAL, RING INS 4 AWG #10 MTG HOLE
- 12B	335970	• TERMINAL, RING INS 8 AWG #1/4 MTG HOLE
- 12C	502523	• TERMINAL, RING INS 4 AWG #1/4 MTG HOLE
- 12D	839526	• TERMINAL, RING INS 4 AWG #0.265 MTG HOLE
- 12E	2196223	• TERMINAL, RING INS 10-12 AWG #0.25 MTG HOLE
- 12F	2281616	• TERMINAL, RING INS 6 AWG #10 MTG HOLE
- 12G	502522	• TERMINAL, RING YELLOW INS 4 AWG #3/8 MTG HOLE
- 13	2282216	• TERMINAL, RING INS 90 DEGREE BENT TONGUE 4 AWG 1/4 MTG HOLE
- 13A	2282915	• TERMINAL, RING INS 90 DEGREE BENT TONGUE 6 AWG #10 MTG HOLE
- 13B	2282916	• TERMINAL, RING INS 90 DEGREE BENT TONGUE 6 AWG #.250 MTG HOLE
- 13C	2282920	• TERMINAL, RING INS 90 DEGREE BENT TONGUE 4 AWG #10 MTG HOLE
- 14	2282749	• TERMINAL, RING 4 AWG #.375 MTG HOLE
- 15	2282217	• TERMINAL, RING INS 4 AWG #10 MTG HOLE
- 16	2306358	• TERMINAL, RING TONGUE INS 8 AWG #10 MTG HOLE
- 17	186965	• TERMINAL, SPADE 18 AWG #8 MTG SLOT BRASS
- 17A	186967	• TERMINAL, SPADE 24-20 AWG #6 MTG SLOT
- 17B	187460	• TERMINAL, SPADE 24-20 AWG #8 MTG SLOT
- 17C	255994	• TERMINAL, SPADE 18 AWG #6 MTG SLOT BRASS
- 17D	313361	• TERMINAL, SPADE 22-24 AWG #.199 MTG HOLE BRASS
- 17E	483693	• TERMINAL, SPADE 22-26 AWG #4 MTG SLOT
- 17F	483644	• TERMINAL, SPADE 14-16 AWG #8 MTG SLOT
- 17G	438697	• TERMINAL, SPADE 14-16 AWG #6 MTG SLOT
- 17H	438699	• TERMINAL, SPADE 18-20 AWG #8 MTG SLOT
- 18	767682	• TERMINAL, SLOTTED TONGUE 22-16 AWG #8 MTG SLOT
- 18A	767683	• TERMINAL, SLOTTED TONGUE 16-14 AWG #8 MTG SLOT
- 18B	767686	• TERMINAL, SLOTTED TONGUE 22-16 AWG #6 MTG SLOT
- 19	2744896	• TERMINAL, SPADE 10-12 AWG #6 MTG SLOT
- 19A	2744897	• TERMINAL SPADE 10-12 AWG #8 MTG SLOT
- 19B	2744898	• TERMINAL, SPADE 10-12 AWG #10 MTG SLOT
- 19C	2744893	• TERMINAL, SPADE 16-14 AWG #6 MTG SLOT
- 19D	2744895	• TERMINAL, SPADE 16-14 AWG #10 MTG SLOT
- 19E	2744894	• TERMINAL, SPADE 16-14 AWG #8 MTG SLOT
- 19F	2744890	• TERMINAL, SPADE 22-18 AWG #6 MTG SLOT
- 19G	2744891	• TERMINAL, SPADE 22-18 AWG #8 MTG SLOT
- 19H	2744892	• TERMINAL, SPADE 22-18 AWG #10 MTG SLOT
- 20	2744887	• TERMINAL, SPADE 12-10 AWG #6 MTG SLOT
- 20A	2744888	• TERMINAL, SPADE 12-10 AWG #8 MTG SLOT
- 20B	2744889	• TERMINAL, SPADE 12-10 AWG #10 MTG SLOT
- 20C	2744884	• TERMINAL, SPADE 16-14 AWG #6 MTG SLOT
- 20D	2744885	• TERMINAL, SPADE 16-14 AWG #8 MTG SLOT
- 20E	2744886	• TERMINAL, SPADE 16-14 AWG #10 MTG SLOT
- 20F	2744881	• TERMINAL, SPADE 22-18 AWG #6 MTG SLOT
- 20G	2744882	• TERMINAL, SPADE 22-18 AWG #8 MTG SLOT
- 20H	2744883	• TERMINAL, SPADE 22-18 AWG #10 MTG SLOT

25 - 21	360590	• TERMINAL, SPADE .125 INS. DIA. #8 MTG SLOT
- 21A	368222	• TERMINAL, SPADE INS 16-14 AWG #8 SLOT COPPER
- 21B	1119009	• TERMINAL, SPADE INS 16-22 AWG #6 MTG SLOT
- 21C	603152	• TERMINAL, SPADE BLUE INS 14-16 AWG #6 MTG SLOT
- 21D	2178526	• TERMINAL, SPADE RED INS 18-22 AWG #5 AND 6 SLOT
- 21E	1152636	• TERMINAL, SPADE .170 INS DIA #10 MTG SLOT
- 21F	2348079	• TERMINAL, SPACE INS 10-12 AWG #6 MTG SLOT
- 22	91444	• TERMINAL, SPADE 16-14 AWG #8 MTG SLOT
- 22A	92786	• TERMINAL, SPADE INS 18-20 AWG #4 MTG SLOT
- 22B	603247	• TERMINAL, SPADE INS 12-10 AWG #8 MTG SLOT
- 23	483648	• TERMINAL, SPADE 22-26 AWG #6 MTG SLOT
- 23A	483649	• TERMINAL, SPADE 18-20 AWG #6 MTG SLOT
- 23B	483650	• TERMINAL, SPADE 22-26 AWG #8 MTG SLOT
- 23C	483651	• TERMINAL, SPADE 18-20 AWG #8 MTG SLOT
- 23D	483652	• TERMINAL, SPADE 14-16 AWG #8 MTG SLOT
- 23E	483664	• TERMINAL, SPADE 14-16 AWG #6 MTG SLOT
- 24	2744797	• TERMINAL, MALE 18-24 AWG TIN PLATE
- 24A	5252582	• TERMINAL, MALE 18-24 AWG GOLD PLATE
- 25	5353852	• TERMINAL, QUICK DISCONNECT 16-20 AWG
- 25A	523181	• TERMINAL, QUICK DISCONNECT 22-18 AWG .125 MAX WIRE INS DIA BRASS
- 25B	2123393	• TERMINAL, QUICK DISCONNECT 16-20 AWG (FOR 0.187 X 0.02 TAB)
- 25C	751038	• TERMINAL, QUICK DISCONNECT 18-22 AWG
- 25D	5412817	• TERMINAL, QUICK DISCONNECT 20-24 AWG
- 25E	5351177	• TERMINAL, RECEPTACLE 18-22 AWG
- 26	2229543	• TERMINAL, QUICK DISCONNECT BLUE INS 14-16 AWG (FOR .250X.032 TAB)
- 26B	2310984	• TERMINAL, QUICK DISCONNECT RED INS 14-16 AWG (FOR TAB .187 X .020)
- 27	236915	• TERMINAL, QUICK DISCONNECT WITHDRAWAL FORCE 2 LBS, 20-18 AWG (DIMPLED)
- 27A	236916	• TERMINAL, QUICK DISCONNECT 24-22 AWG (DIMPLED)
- 27B	430798	• TERMINAL, QUICK DISCONNECT 20-18 AWG BRASS (DIMPLED)
- 27C	430799	• TERMINAL, QUICK DISCONNECT 18-24 AWG 0.13 MAX WIRE INS DIA (DIMPLED)
- 27D	523267	• TERMINAL, QUICK DISCONNECT 14-18 AWG 0.16 MAX WIRE INS (TANGED)
- 27E	642909	• TERMINAL, QUICK DISCONNECT FASTIN-FASTON 12-16 AWG 0.19 MAX WIRE INS DIA
- 27F	731058	• TERMINAL, FASTON, 18-22 AWG (DIMPLED)
- 27G	1127037	• TERMINAL, QUICK DISCONNECT 14-18 AWG 0.17 MAX WIRE INS DIA (DIMPLED)
- 27H	1142155	• TERMINAL, QUICK DISCONNECT 24-22 AWG BRASS (DIMPLED)
- 27J	2274975	• TERMINAL, QUICK DISCONNECT 14-16 AWG PHOS BRONZE (DIMPLED)
- 27K	2277887	• TERMINAL, QUICK DISCONNECT 20-22 AWG BRASS (DIMPLED)
- 27L	2502307	• TERMINAL, QUICK DISCONNECT 14-10 AWG .275 MAX WIRE INS DIA (DIMPLED)
- 27M	5213274	• TERMINAL, QUICK DISCONNECT 18-22 AWG .100 MAX WIRE INS DIA (DIMPLED)
- 27N	1177057	• TERMINAL, QUICK DISCONNECT 18-22 AWG .100 MAX WIRE INS. DIA (DIMPLED)
- 27P	5352211	• TERMINAL, QUICK DISCONNECT 18-22 AWG .125 MAX WIRE INS DIA (TANGED)
- 27Q	5214594	• TERMINAL, QUICK DISCONNECT 18-22 AWG BRASS (DIMPLED)
- 28	5247187	• TERMINAL, QUICK DISCONNECT INS 18-22 AWG
- 28A	5214395	• TERMINAL, QUICK DISCONNECT INS 12-14 AWG
- 29	5761553	• TERMINAL, SLIP-ON 14-12 AWG
- 30	2158688	• TERMINAL, QUICK DISCONNECT INS 20-18 AWG WITHDRAWAL FORCE 16 OZ.
- 31	1166032	• TERMINAL, PIN CONNECTOR 24-20 AWG
- 31A	1166035	• TERMINAL, PIN CONNECTOR 20-18 AWG
- 31B	368169	• TERMINAL, PIN CONNECTOR (LAMP) 24-20 AWG
- 32	2154868	• TERMINAL, EDGE CONNECTOR 22-20 AWG GOLD PLATED (W/O DIMPLES)
- 32A	2154888	• TERMINAL, EDGE CONNECTOR 22-20 AWG GOLD PLATED (W/DIMPLES)
- 32B	196810	• TERMINAL, EDGE CONNECTOR 22-20 AWG TIN COATING (W/DIMPLES)
- 33	339156	• TERMINAL, QUICK DISCONNECT AWG UNKNOWN BRASS
- 33A	2114531	• TERMINAL, QUICK DISCONNECT TAPER W/TAB 22-24 AWG
- 33B	2123478	• TERMINAL, QUICK DISCONNECT TAPER W/TAB 18-20 AWG
- 34	259009	• TERMINAL, QUICK DISCONNECT TAPERED 22-24 AWG BRASS
- 36	767684	• TERMINAL, DISCRETE WIRE 22-26 AWG BRASS W/COPPER FLASH PLATING
- 36A	815933	• TERMINAL, DISCRETE WIRE 20-18 AWG BRASS W/GOLD OVER NICKEL PLATING
- 36B	815934	• TERMINAL, DISCRETE WIRE 22-26 AWG BRASS W/GOLD OVER NICKEL PLATING
- 36C	815935	• TERMINAL, DISCRETE WIRE 28-32 AWG GOLD OVER NICKEL PLATING
- 37	2352229	• TERMINAL, COAXICON CONN WIRE 32-26 AWG
- 38	813194	• TERMINAL, TUNING FORK 18-20 AWG
- 38A	813195	• TERMINAL, TUNING FORK 22-26 AWG
- 38B	816883	• TERMINAL, TUNING FORK 18-20 AWG (CAPTIVE ENDS)
- 38C	816884	• TERMINAL, TUNING FORK 28-32 AWG (CAPTIVE ENDS)
- 38D	817770	• TERMINAL, TUNING FORK 22-24 AWG (CAPTIVE ENDS)
- 39	1142534	• TERMINAL, FLAG 26-22 AWG
- 39A	2281267	• TERMINAL, FLAG 18-22 AWG
- 39B	1991190	• TERMINAL, FLAG 22-26 AWG
- 39C	2343474	• TERMINAL, FLAG 18-22 AWG BRONZE/TIN

25 - 40	2353201	• TERMINAL, COAX
- 41	5362301	• TERMINAL, LARGE SERPENT 22-26 AWG INS RANGE 0.028-0.103
- 41A	5362302	• TERMINAL, SMALL SERPENT 28-32 AWG INS RANGE 0.036-0.103
- 41B	5404480	• TERMINAL, GREAT SERPENT 18-20 AWG INS RANGE 0.042-0.103
- 41C	5486851	• TERMINAL, LARGE SERPENT 22-26 AWG INS RANGE 0.026-0.075
- 41D	5486853	• TERMINAL, GREAT SERPENT 18-20 AWG INS RANGE 0.026-0.075
- 41E	5486852	• TERMINAL, SMALL SERPENT 28-32 AWG INS RANGE 0.026-0.075
- 42	5353854	• TERMINAL, MALE 16-20 AWG
- 43	2731384	• TERMINAL, MALE PIN 22-26 AWG
- 44	591047	• TERMINAL, SLIP-ON 16-18 AWG PHOSPHOR BRONZE
- 44A	596255	• TERMINAL, SLIP-ON 20-24 AWG PHOSPHOR BRONZE
- 45	5312429	• TERMINAL, 14-18 AWG SLIP-ON BRASS
- 45A	2333872	• TERMINAL, 18-22 AWG SLIP-ON BRASS
- 46	517913	• TERMINAL, SLIP-ON 18-16 AWG BRASS
- 46A	2162590	• TERMINAL, SLIP-ON 20-24 AWG
- 46B	2277726	• TERMINAL, SLIP-ON 22-18 AWG
- 47	736546	• TERMINAL, SLIP-ON 20-24 AWG
- 48	2353202	• TERMINAL, COAX
- 49	813810	• TERMINAL, 28-24 AWG
- 49A	2251090	• TERMINAL, 32-38 AWG
- 50	2757339	• TERMINAL, 18-22 AWG
- 51	2637682	• TERMINAL, 22-26 AWG
- 52	5414545	• TERMINAL, CONTACT SOCKET
- 53	2351961	• TERMINAL, BANANA PLUG .062 ID
- 54	598041	• TERMINAL, QUICK DISCONNECT 20-24 AWG BRASS/GOLD
- 55	736547	• CONTACT, MINIATURE 20-22 AWG
- 55A	2304610	• CONTACT, MINIATURE 24-26 AWG
- 56	2757998	• TERMINAL, HIGH PRESSURE 20-24 AWG
- 57	4167414	• SOCKET, UNIVERSAL 18-24 AWG
- 58	5213092	• TERMINAL, WRAP SOLDER 26 AWG
- 59	597179	• TERMINAL, QUICK DISCONNECT 20-22 AWG BRONZE
- 59A	609687	• TERMINAL, QUICK DISCONNECT 18-22 AWG
- 59B	2145170	• TERMINAL, QUICK DISCONNECT 16-18 AWG BRASS
- 60	1847520	• TERMINAL, 20-14 AWG .790 LG
- 60A	1847522	• TERMINAL, 20-14 AWG .810 LG
- 60B	4167413	• TERMINAL, 18-24 AWG .790 LG
- 61	1847521	• TERMINAL, 20-14 AWG .760 LG
- 61A	1847523	• TERMINAL, 20-14 AWG .780 LG
- 62	2281128	• TERMINAL, CONTACT 6 AWG
- 63	145729	• TERMINAL, CONTACT .096 ID PHOSPHOR BRONZE
- 64	2218667	• TERMINAL, STRAIN RELIEF PLUG
- 65	179007	• TERMINAL (REPLACED BY 483660)
- 65A	187243	• TERMINAL (REPLACED BY 483657)
- 65B	216324	• TERMINAL (REPLACED BY 483656)
- 65C	257159	• TERMINAL (REPLACED BY 483662)
- 65D	320167	• TERMINAL (REPLACED BY 483658)
- 65E	360433	• TERMINAL (REPLACED BY 483659)
- 65F	483653	• TERMINAL, TAPER 22-26 AWG
- 65G	483657	• TERMINAL, TAPER 22-26 AWG .060 OD
- 65H	483658	• TERMINAL, TAPER 18-20 AWG .060 OD
- 65J	483659	• TERMINAL, TAPER 14-16 AWG .060 OD
- 65K	483655	• TERMINAL, TAPER 14-16 AWG .055 OD
- 65M	483654	• TERMINAL, TAPER 18-20 AWG .050 OD
- 65N	483656	• TERMINAL, TAPER 28-32 AWG .060 OD
- 65P	483661	• TERMINAL, TAPER 18-20 AWG .092 OD
- 66	550501	• TERMINAL, TAPER 20-22 AWG COPPER
- 66A	600844	• TERMINAL, SMALL TAPER 22-24 AWG BRASS
- 67	5412642	• TERMINAL, 16-14 AWG
- 67A	1166114	• TERMINAL, 18-22 AWG BRONZE
- 67B	5214570	• TERMINAL, 22-26 AWG
- 68	97528	• CONNECTOR, MALE 14-22 AWG
- 69	268596	• TERMINAL, MALE PIN 14-16 AWG COPPER/SILVER FINISH
- 69A	535083	• TERMINAL, MALE PIN 16-18 AWG BRASS/SILVER FINISH
- 69B	535085	• TERMINAL, MALE PIN 14 AWG BRASS/SILVER FINISH
- 69C	2190742	• TERMINAL, MALE PIN 16-18 AWG BRONZE/GOLD FINISH
- 69D	5213121	• TERMINAL, MALE PIN 24-26 AWG FINISH GOLD
- 70	2122258	• TERMINAL, CONTACT PIN MALE 20-22 AWG
- 70A	2122260	• TERMINAL, CONTACT PIN MALE 18-16 AWG
- 70B	2127867	• TERMINAL, CONTACT PIN MALE 24-26 AWG

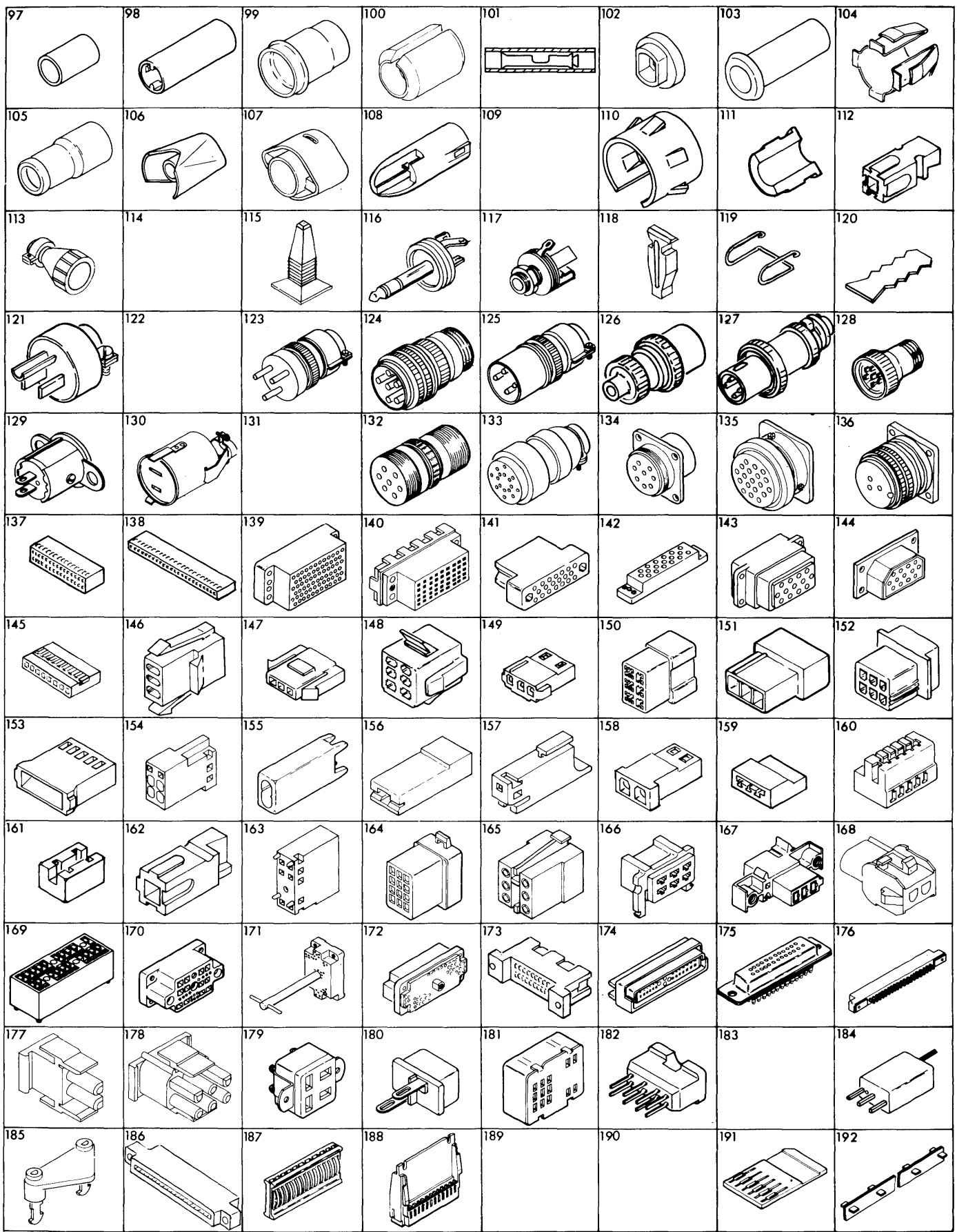


FIGURE 25. CABLE COMPONENTS (SHEET 2 OF 4)

25 - 71	2154243	• CONTACT, SINGLE WIRE .018 DIA X .38 LONG
- 72	2182901	• CONNECTOR CAP, PIN HOUSING
- 73	523255	• TERMINAL, QUICK DISCONNECT 14-18 AWG
- 74	2252394	• TERMINAL, SLIP ON 26-28 AWG
- 75	2182902	• PLUG, CONNECTOR SOCKET HOUSING MAX WIRE DIA .125 (COLOR NATURAL)
- 76	368594	• SOCKET, FEMALE 14-16 AWG COPPER/SILVER FINISH
- 76A	533082	• SOCKET, FEMALE 16-18 AWG BRASS/SILVER FINISH
- 76B	535084	• SOCKET, FEMALE 14 AWG BRASS
- 76C	535086	• SOCKET, FEMALE 10 AWG BRASS
- 77	2122259	• TERMINAL, CONTACT SOCKET 20-22 AWG
- 77B	2122261	• TERMINAL, CONTACT SOCKET 18-16 AWG
- 77C	2127890	• TERMINAL, CONTACT SOCKET 24-26 AWG
- 78	5700211	• CONTACT, SOCKET 24-26 AWG
- 79	1142822	• TERMINAL, SOUND HEAD 20-22 AWG (MATE W/1142791)
- 79A	5462665	• TERMINAL, SOUND HEAD 20-24 AWG (MATE W/1142791)
- 80	1166115	• TERMINAL, SOCKET 18-22 AWG PHOS. BRONZE
- 80A	5412643	• TERMINAL, SOCKET 16-14 AWG PHOS. BRONZE
- 80B	2513254	• TERMINAL, SOCKET 30-22 AWG BRASS
- 81	738254	• TERMINAL, MALE 12-14 AWG 5-250V 20 AMPS 1.235 LONG
- 81A	2180670	• TERMINAL, MALE 8-10 AWG 0-250V 35 AMPS 1.235 LONG
- 81B	2192502	• TERMINAL, MALE 12-14 AWG 0-250V 20 AMPS 1.235 LONG
- 81C	2192504	• TERMINAL, MALE 8-10 AWG 5-250V 35 AMPS 1.235 LONG
- 81D	2192506	• TERMINAL, MALE 8-10 AWG 0-250V 35 AMPS 1.36 LONG
- 81E	2192507	• TERMINAL, MALE 12-14 AWG 0-250V 20 AMPS 1.36 LONG
- 82	738255	• TERMINAL, FEMALE 12-14 AWG 5-250V 20 AMPS 1.245 LONG
- 82A	2180671	• TERMINAL, FEMALE 8-10 AWG 0-250V 35 AMPS 1.245 LONG
- 82B	2192503	• TERMINAL, FEMALE 12-14 AWG 0-250V 20 AMPS 1.245 LONG
- 82C	2192505	• TERMINAL, FEMALE 8-10 AWG 5-250V 35 AMPS 1.245 LONG
- 83	2352220	• PIN, GEAR CONNECTOR 32-26 AWG .859 LG
- 84	2180668	• PIN, COAX CONNECTOR .223 TO .171 OD
- 84A	5766626	• PIN, COAX CONNECTOR .223 TO .173 OD
- 85	5271288	• TERMINAL, FIXED TAB .250 WIDE #.130 MTG HOLE
- 86	2245373	• LUG, SHIELD GROUNDING .390 ID X 2.50 LG
- 87	2127985	• CATCH, LOCKING SPRING
- 88	2194934	• CONNECTOR, COAXIAL W/NUT AND LOCKWASHER
- 89	2180667	• SOCKET, COAX CONNECTOR ID .126 TO .229
- 89A	2227454	• SOCKET, COAX CONNECTOR ID .076 TO .229
- 90	2218468	• CONNECTOR KIT TNC PLUG-COAX
- 91	2218469	• CONNECTOR, KIT TNC RECEPTACLE COAX
- 92	596382	• SPLICE, CABLE CONN.
- 93	591649	• SPLICE, TERMINATION COAXIAL 0.182 OUTER ID X 0.062 INNER ID
- 93A	2194054	• SPLICE, TERMINATION COAXIAL 0.150 OUTER ID X 0.048 INNER ID
- 94	2119604	• SPLICE, 22-16 AWG .578 LG
- 95	360363	• SPLICE, BLUE INS 14 AWG (WITH CENTER CRIMP)
- 95A	129909	• SPLICE, BLUE INS AWG UNKNOWN (W/O CENTER CRIMP)
- 96	321051	• SPLICE, TRANSPARENT INS 18 22 AWG COPPER
- 97	317391	• SHEATH, INNER .124 OD X 1/4 LG
- 97A	595725	• TERMINATOR, INNER .131 OD X .312 LG (RED)
- 97B	597038	• SPLICE, CABLE .129 MIN WIRE DIA
- 97C	602603	• TERMINATOR, OUTER 0.110 X 0.75LG
- 97D	2229540	• SPLICE, 8 AWG .375 LONG
- 97E	2152788	• TERMINATOR, .453 OUTSIDE AND .450 INSIDE DIA X .25 LG
- 97F	2281193	• SLEEVE, 8 AWG .47 LONG
- 97G	2281408	• TERMINATION DEVICE, INNER 1.120OD X 1.040 ID X .600 LG (PINK)
- 97H	2281409	• TERMINATION DEVICE, OUTER 1.330 OD X 1.250ID X .440 LG (PINK)
- 97J	350837	• SHEATH, INNER .219 ID X .31 LG
- 97L	5337089	• FERRULE, OUTER COAX
- 97M	530067	• SHEATH, OUTER .156 OD X .125 ID X 1/4 LG
- 97N	2281362	• TERMINATION DEVICE, OUTER .250 OD X .219 ID X .250 LG (GREEN)
- 97P	2281410	• TERMINATION DEVICE, INNER 1.294 OD X 1.224 ID X 0.60 LG (PURPLE)
- 97R	2281411	• TERMINATION DEVICE, OUTER 1.412 OD X 1.332 ID X 0.44 LG (ORANGE)
- 97S	2278783	• SLEEVE, STUFFER #10 AWG
- 97T	321050	• TERMINATION DEVICE, OUTER .263 OD X .232 ID X .250 LG
- 97V	440029	• SHEATH, OUTER .281 ID X .250 LG
- 98	760260	• SLEEVE, INS 0.404 OD X 0.75 LG
- 98A	2163847	• SLEEVE, INS 0.225 OD X 0.75 LG (VIOLET)
- 98B	2178470	• SLEEVE, INS 0.308 DIA X 0.75 LG (GREEN)
- 98C	2184183	• SLEEVE, INS 0.374 DIA X 0.75 LG (VIOLET)
- 99	595726	• TERMINATOR, OUTER INSULATED HYRING

25	-100	2180664	• BUSHING, POLYETHYLENE .16 AND .25 ID (RED)
	-100A	2227453	• BUSHING, POLYETHYLENE .14 AND .25 ID (GREEN)
	-101	4167173	• SPLICE, STEP DOWN 12-10 TO 16-14 (LIGHT BLUE)
	-101A	4167174	• SPLICE, STEP DOWN 16-14 TO 22-18 (YELLOW)
	-102	2218564	• BUSHING, 0.313 OD FEMALE
	-102A	2218565	• BUSHING, 0.260 OD MALE
	-103	2191359	• BUSHING
	-103A	2192538	• BUSHING, 1.12 OD X 0.937 X 1.906 LONG (RUBBER)
	-103B	2243200	• BUSHING, .925 OD X .75 ID X 2.00 LONG (RUBBER)
	-103C	4203608	• BUSHING, .738 OD X .625 ID X 2.141 LONG (RUBBER)
	-103E	2282919	• BUSHING, 1.50 OD X 1.281 ID X 3.56 LG (NEOPRENE)
	-104	2180666	• SPRING, RETENTION COAX CONNECTOR .330 OD X .266 LG
	-105	2180665	• FERRULE, COAX CONNECTOR, 0.207 AND 0.160 ID X 0.422 LG (YELLOW)
	-105A	2227452	• FERRULE, COAX, 0.207 TO 0.124 ID X 0.422 LONG (BLACK)
	-105B	2352202	• FERRULE, COAX.0.150 TO 0.115 ID X 0.420 LG (ORANGE)
	-106	123816	• FERRULE, SHIELDED WIRE 0.070 DIA CENTER HOLE
	-106A	188609	• FERRULE, SHIELDED WIRE 0.090 DIA CENTER HOLE
	-106B	2178469	• FERRULE, SHIELDED WIRE 0.150 DIA CENTER HOLE
	-106C	2182732	• FERRULE, SHIELDED WIRE 0.050 DIA CENTER HOLE
	-107	645018	• FERRULE, SHIELDED WIRE 0.275 ID (GREEN)
	-107A	760259	• FERRULE, SHIELDED WIRE 0.200 ID
	-107B	2184182	• FERRULE, SHIELDED WIRE 0.175 ID (VIOLET)
	-108	639088	• HOUSING, SERPENT CONTACT
	-110	5750712	• SPRING, CONTACT RETENTION .165 ID X .156 LG
	-111	2181278	• SHIM, HALF
	-112	2523604	• CONNECTOR HOUSING
	-113	2745029	• CLAMP, CABLE
	-115	2637689	• INSERT, POLORIZATION
	-116	5252767	• PLUG, PANEL MOUNT
	-117	5252768	• JACK, PANEL MOUNT
	-118	2757340	• KEYING PLUG
	-119	2565041	• SPRING, CLIP
	-120	2621350	• KEY, POLORIZING
	-121	256341	• PLUG, 125V -15A, U-TYPE GROUNDMAX .625 OD MATERIAL
	-123	820384	• PLUG, MALE 3 WIRE 20 AMP
	-123A	825607	• PLUG, MALE 3 WIRE 4 POLE 15 AMPS
	-124	2180660	• PLUG, STRAIGHT 7 POS. MALE 1.437-18 EXT THREAD
	-124A	2207268	• PLUG, STRAIGHT 8 POS. MALE 1.437-18 EXT THREAD
	-125	538724	• PLUG, MALE 3 WIRE 4 POLE 60 AMPS
	-125A	2131750	• PLUG, MALE 4 WIRE 30 AMPS (MAX CABLE DIA 1.125)
	-126	721609	• RECEPTACLE, MALE 15 AMPS 3 POLE (MAX 5/8 CABLE DIA)
	-127	2282917	• RECEPTACLE, MALE 60 AMPS 3 WIRE 4 POLE
	-127A	832957	• RECEPTACLE, MALE 60 AMPS 4 POLE -2.50 OD
	-128	2745024	• PLUG, STRAIGHT 7 POS. 1.688 LG
	-128A	2745028	• PLUG, STRAIGHT 7 POS. 1.645 LG
	-129	5052426	• CONNECTOR, 2 PIN FEMALE 7 1/2 AMPS 250V
	-130	560472	• SOCKET, KEEPER TYPE FEMALE 10 AMPS 1500V (60HZ)
	-132	2180659	• RECEPTACLE, FEMALE 7 POS. EXT THD 1.437-18 AND 1.500-18
	-132A	2243099	• RECEPTACLE, FEMALE 3 POS.
	-132B	2207267	• RECEPTACLE, FEMALE 8 POS. EXT THD 1.437-18 AND 1.500-18
	-133	2135031	• PLUG, FEMALE 19 POS.
	-134	2180661	• RECEPTACLE, FEMALE 7 POS. 1.500-18 EXT THREAD
	-134A	2207269	• RECEPTACLE, FEMALE 8 POS. 1.500-18 EXT THREAD
	-134B	2745023	• RECEPTACLE, FEMALE 7 POS. 1.688 LG
	-135	2162485	• RECEPTACLE, FEMALE 10 POS.
	-135A	2194770	• RECEPTACLE, FEMALE 19 POS. 2 AT 12:00
	-135B	2194926	• RECEPTACLE, FEMALE 19 POS. 2 AT 110 DEGREES CLOCKWISE FROM 12:00
	-135C	2194928	• RECEPTACLE, FEMALE 19 POS. 2 AT 110 DEGREE C'CLOCKWISE FROM 12:00
	-136	2180662	• RECEPTACLE, MALE 7 POS.
	-136A	2243134	• RECEPTACLE, FEMALE 3 SOCKET CONTACT
	-137	2757984	• HOUSING, 30 POS
	-138	2757993	• HOUSING, 24 POS
	-139	2122625	• CONNECTOR, FEMALE 104 POS. (BLACK)
	-139A	2122626	• CONNECTOR, MALE 104 POS. (BLACK)
	-139B	2127854	• CONNECTOR, MALE 75 POS. (BLACK)
	-139C	2127855	• CONNECTOR, FEMALE 75 POS. (BLACK)
	-139D	2122256	• CONNECTOR, FEMALE 34 POS. (BLACK)
	-140	631647	• BLOCK, DUAL CONTACT 60 POS. MALE (LIGHT GRAY)
	-140A	631648	• BLOCK, DUAL CONTACT 60 POS. FEMALE (LIGHT GRAY)

25 -141	2122254	• CONNECTOR, FEMALE 20 POS. (BLACK)
-141A	2122255	• CONNECTOR, MALE 20 POS. (BLACK)
-141B	2122214	• CONNECTOR, FEMALE 14 POS. (BLACK)
-141C	2122837	• CONNECTOR, FEMALE 26 POS. (BLACK)
-141D	2122215	• CONNECTOR, MALE 14 POS. (BLACK)
-141E	2763614	• CONNECTOR, MALE 15 POS. (BLACK)
-142	2228866	• CONNECTOR, 18 POS. FEMALE
-142A	2763640	• CONNECTOR, 15 POS. FEMALE
-143	556101	• CONNECTOR, FEMALE 13 POS. (MATE 550561)
-144	526516	• CONNECTOR, FEMALE 13 CONTACTS (MATES W/526517)
-144A	550561	• CONNECTOR, MALE 13 CONTACTS
-145	2731397	• HOUSING, 2 POS. (WITH LOCKING LATCH)
-145A	2637680	• HOUSING, 4 POS. (WITH LOCKING LATCH)
-145B	2732354	• HOUSING, 5 POS. (WITH LOCKING LATCH)
-145C	2731731	• HOUSING, 6 POS. (WITH LOCKING LATCH)
-145D	2731394	• HOUSING, 8 POS. (WITH LOCKING LATCH)
-145E	2731406	• HOUSING, 10 POS. (WITH LOCKING LATCH)
-145F	2637684	• HOUSING, 12 POS. (WITH LOCKING LATCH)
-145G	5182189	• HOUSING, 14 POS. (WITH LOCKING LATCH)
-145H	2731391	• HOUSING, 16 POS. (WITH LOCKING LATCH)
-145I	2731390	• HOUSING, 20 POS. (WITH LOCKING LATCH)
-145J	2731389	• HOUSING, 24 POS. (WITH LOCKING LATCH)
-145K	1466244	• HOUSING, 5 POS. BERG TYPE
-146	725557	• PLUG, CONNECTOR 3 CIRCUIT 0.5A-250V
-146A	1166116	• HOUSING, TERMINAL, 12 AMP 250V
-146B	1151131	• HOUSING, TERMINAL 3 POS. SOCKET
-146C	1166498	• HOUSING, TERMINAL 9 POS. SOCKET
-146D	5214995	• HOUSING, TERMINAL 6 POS. SOCKET
-147	597301	• CONNECTOR, 0.5 AMP 250V (WHITE)
-148	609686	• PLUG, 6 CIRCUIT
-148A	2232042	• PLUG, CONNECTOR 6 CIRCUIT MALE 0.5A-250V (GREEN)
-148B	569879	• PLUG, 9 CIRCUIT MALE 7.5 AMP 250V (GREY)
-148C	5412639	• PLUG, 12 CIRCUIT MALE
-148D	652663	• RECEPTACLE, FEMALE 12 POS.
-149	1149260	• HOUSING, TERMINA, 12 AMP 250V
-150	523268	• HOUSING, TAB 6 POS.
-151	597178	• CONNECTOR, 3 POS. 0.5A-250V (WHITE)
-151A	725558	• CONNECTOR, 3 POS. 0.5A-250V
-151B	1166117	• CONNECTOR, 3 POS. 12.0AMP 250V
-151C	2232039	• CONNECTOR, 3 POS. 0.5 AMP 250V (RED)
-152	2232041	• CONNECTOR, 6 CIRCUIT (GREEN)
-152A	569878	• CONNECTOR, 9 CIRCUIT FEMALE 7.5 AMP 250V (GREY)
-152B	652664	• CONNECTOR, MALE 12 POS.
-152C	5214573	• CONNECTOR, MALE 2 POS. (WHITE)
-153	2218666	• HOUSING, CONNECTOR CLEAR (DOUBLE EAR)
-153A	2275052	• HOUSING, CONNECTOR CLEAR (SINGLE EAR)
-153B	2275079	• HOUSING, CONNECTOR BLUE (DOUBLE EAR)
-154	818101	• HOUSING, CONNECTOR
-155	813197	• HOUSING, TERMINAL
-156	1151541	• HOUSING, STRAIGHT RECEPTACLE
-156A	5761882	• HOUSING, STRAIGHT RECEPTACLE (COLOR NATURAL)
-156B	1151543	• HOUSING, STRAIGHT RECEPTACLE
-156C	2502337	• HOUSING, SINGLE CIRCUIT (NATURAL)
-157	815568	• HOUSING, UNIVERSAL
-157A	2646752	• HOUSING, SINGLE
-158	1203351	• HOUSING, DUAL FEMALE CONTACTS (BLACK)
-158A	5214572	• HOUSING, DUAL FEMALE CONTACTS (WHITE)
-159	2744805	• HOUSING, PC CONNECTOR 3 POS.
-159A	5252584	• HOUSING, PC CONNECTOR 6 POS.
-159B	5252587	• HOUSING, PC CONNECTOR 9 POS.
-159C	5252581	• HOUSING, PC CONNECTOR 15 POS.
-159D	5252591	• HOUSING, PC CONNECTOR 21 POS.
-159E	2745044	• HOUSING, PC CONNECTOR 18 POS.

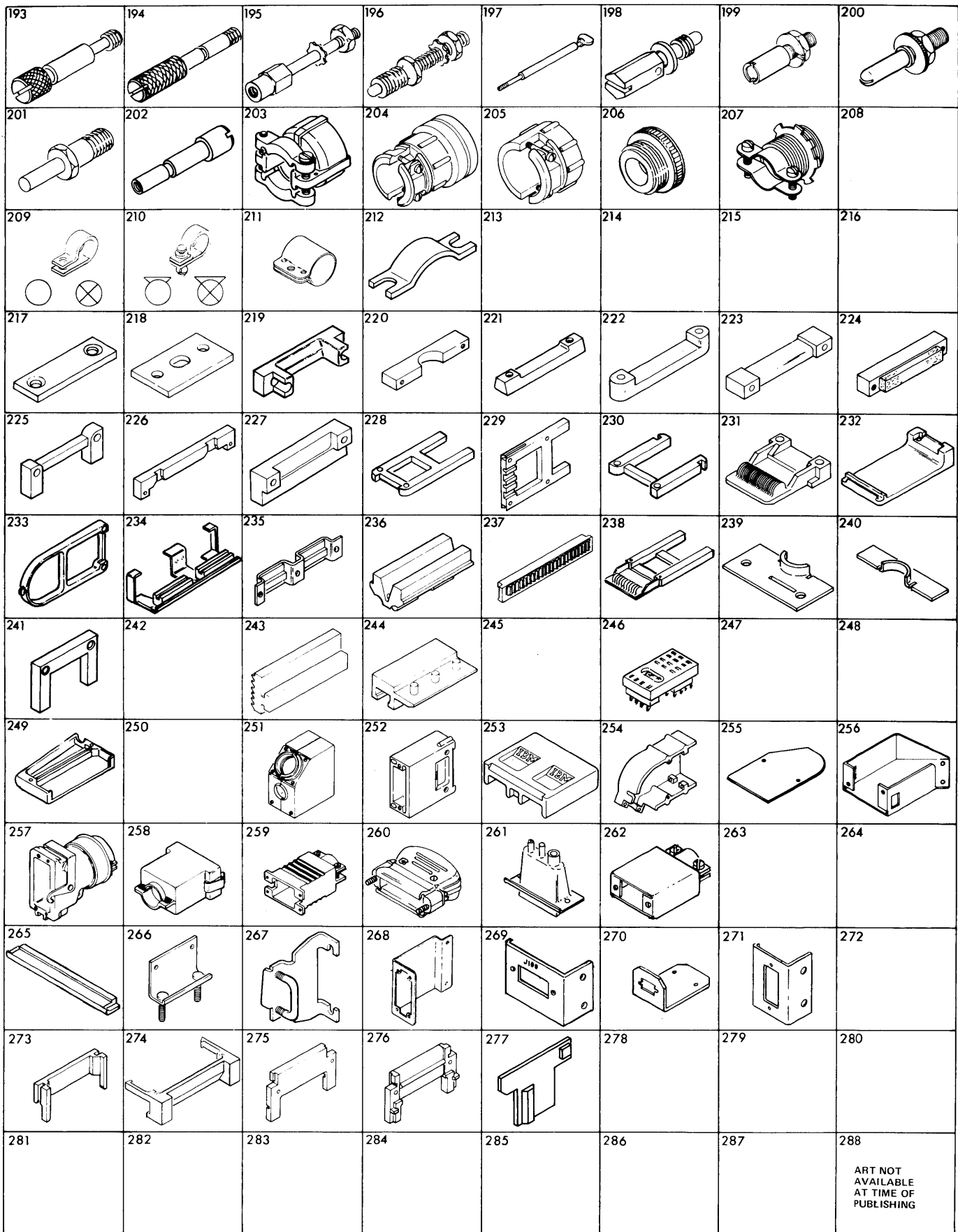


FIGURE 25. CABLE COMPONENTS (SHEET 3 OF 4)

25 -160	1142533	• HOUSING, CONNECTOR 5 POS.
-160A	1142817	• HOUSING, CONNECTOR 14 POS.
-160B	2218466	• HOUSING, CONNECTOR 22 POS.
-160C	2277753	• HOUSING, CONNECTOR 9 POS.
-160D	2306442	• HOUSING, CONNECTOR 12 POS.
-160E	2306443	• HOUSING, CONNECTOR 18 POS.
-160F	2728995	• HOUSING, CONNECTOR 18 POS. (NATURAL)
-160G	1991189	• HOUSING, CONNECTOR 3 POS.
-160H	5921822	• HOUSING, CONNECTOR 15 POS.
-160J	5921738	• HOUSING, CONNECTOR 6 POS.
-160K	2758361	• HOUSING, CONNECTOR 3 POS.
-160L	1991188	• HOUSING, CONNECTOR 14 POS.
-161	2348098	• CLOSURE, CABLE TIE
-162	2281129	• HOUSING, CONNECTOR SINGLE POS. (BLUE)
-163	819562	• HOUSING, CONNECTOR 6 POS. (NATURAL)
-164	5412609	• HOUSING, PIN TERMINAL 12 POS.
-164A	5214996	• HOUSING, PIN TERMINAL 6 POS.
-164B	1166499	• HOUSING, PIN TERMINAL 9 POS.
-165	1160977	• HOUSING, SOCKET TERMINAL 6 POS.
-165A	2513256	• HOUSING, SOCKET TERMINAL 12 POS.
-166	523269	• HOUSING, RECEPTACLE 6 CIRCUIT
-167	5353851	• HOUSING, CONNECTOR 3 POS. 0.935 LONG
-167A	5357138	• HOUSING, CONNECTOR 3 POS. 1.160 LONG
-167B	5353853	• HOUSING, CONNECTOR 3 POS. 1.160 LONG
-167C	5271721	• HOUSING, CONNECTOR 3 POS. 0.935 LG (LUGS REMOVED)
-168	1847525	• HOUSING, UNIVERSAL 2 POS.
-168A	1847529	• HOUSING, UNIVERSAL 4 POS.
-168B	1847531	• HOUSING, UNIVERSAL 6 POS.
-168C	1847533	• HOUSING, UNIVERSAL 9 POS.
-168D	1847535	• HOUSING, UNIVERSAL 12 POS.
-168E	1847537	• HOUSING, UNIVERSAL 15 POS.
-168F	1847527	• HOUSING, UNIVERSAL 3 POS.
-169	2191341	• HOUSING, JUMPER CONNECTOR
-170	2180672	• BLOCK, RECEPTACLE 29 POS. 2.595 X 1.110 X 1.44 (BLACK)
-170A	2180673	• BLOCK, RECEPTACLE 29 POS. 2.595 X 1.110 X 1.025
-170B	2244016	• BLOCK, RECEPTACLE 29 POS. 2.595 X 1.110 X 1.44 (BLACK)
-170C	2244725	• BLOCK, RECEPTACLE 29 POS. 2.595 X 1.110 X 1.025 (BLACK)
-171	2191077	• CONNECTOR, 160 PIN POS. W/MALE JACKSCREW AND WASHER
-171A	2191078	• CONNECTOR, 160 PIN POS. (W/FEMALE JACKSCREW WASHER AND NUT)
-172	740549	• CONNECTOR, FEMALE 104 POS. (W/CENTER FASTENER)
-173	2344697	• CONNECTOR, MINIATURE 30 POS.
-174	5353867	• CONNECTOR BLOCK, STYLE A (W/INSERT) (LIGHT GRAY)
-174A	5353868	• CONNECTOR BLOCK, STYLE B (W/INSERT) (DARK GRAY)
-174B	5353869	• CONNECTOR BLOCK, STYLE B (W/O INSERT) (DARK GRAY)
-175	5302662	• CONNECTOR, MALE 25 POS.
-175A	2133192	• CONNECTOR, MALE 15 POS.
-175B	2133193	• CONNECTOR, FEMALE 15 POS.
-176	2182488	• CONNECTOR, FEMALE 22 PIN POS.
-176A	2829989	• CONNECTOR, FEMALE 17 PIN POS.
-176B	2621349	• CONNECTOR, FEMALE 12 PIN POS.
-176C	2182523	• CONNECTOR, FEMALE 15 PIN POS.
-177	1847524	• PLUG, UNIVERSAL 2 POS.
-177A	1847526	• PLUG, UNIVERSAL 3 POS.
-177B	1847528	• PLUG, UNIVERSAL 4 POS.
-178	1847530	• PLUG, UNIVERSAL 6 POS.
-178A	1847532	• PLUG, UNIVERSAL 9 POS.
-178B	1847534	• PLUG, UNIVERSAL 12 POS.
-178C	1847536	• PLUG, UNIVERSAL 15 POS.
-179	204283	• SOCKET, 4 PRONG FEMALE
-180	195000	• CONNECTOR LAMP, 2 PIN
-181	5414544	• SOCKET, RELAY
-182	2160951	• SOCKET, 4 PIN POS. FEMALE
-182A	2160953	• SOCKET, 3 PIN POS. FEMALE
-184	814126	• INDICATOR DRIVER, S.C.R. TYPE II 6.8K 25 MW P/M 5%
-185	725506	• SOCKET, TRANSISTOR
-186	2757338	• CONNECTOR, DUAL 18 POS.
-187	2242704	• HOUSING, SNAP 12 UP
-187A	2242719	• HOUSING, SNAP 9 UP
-187B	5755375	• HOUSING, SNAP 8 UP
-188	5447741	• HOUSING, SINGLE HI SERPENT 24 PIN POS.

25 -191	818268	• RETAINER, CONNECTOR HOUSING (BLACK)
-191A	818686	• RETAINER, CONNECTOR HOUSING (WHITE)
-192	813253	• BAR, BUS 2 POS.
-192A	813255	• BAR, BUS 4 POS.
-192B	813258	• BAR, BUS 7 POS.
-192C	811492	• BAR, BUS 11 POS.
-193	738842	• JACKSCREW, 6-32 X 2.53 LG W/SHOULDER
-194	5393054	• JACKSCREW, 4/40 X 4.13 LG W/O SHOULDER
-195	2180796	• JACKSCREW, 6-32 EXT 8-32 INT X 1.30 LG (W/NUT AND LKWSR)
-195A	2123028	• JACKSCREW, 6-32 INT 4-40 EXT X .837 LG (W/NUT AND LKWSR)
-196	2123029	• JACKSCREW, 6-32 EXT 4-40 INT X .815 LG (W/NUT AND LKWSR)
-197	2244723	• JACKSCREW, 8-32 X 1.25 THREAD TOTAL 4.88 LG
-198	2123030	• JACKSCREW, SOCKET INTERNAL THREAD 6-32 W/WASHER
-198A	2123031	• JACKSCREW, STUD EXTERNAL THREAD 6-32 W/WASHER
-199	2122202	• SOCKET, FEMALE GUIDE 4-40 .141 ID X .455 LG (W/NUT AND LKWSR)
-199A	2122636	• SOCKET, FEMALE GUIDE 6-32 W/NUT AND LCKW .203 X .795
-200	2122203	• PIN, GUIDE 4-40 W/NUT AND LCKW .130 OD X .515 LG
-200A	2122637	• PIN, GUIDE 6-32 W/NUT AND LCKW .130 OD X .440 LG
-201	740617	• PIN, GUIDE HEX 6-32 X .563 LG W/PIN 0.85 OD X .468 LG
-202	2131102	• JACK SCREW, FEMALE 6-32 0.218 OD X 1.50 LG
-203	2243148	• CLAMP, CABLE .75 ID
-204	2239302	• CLAMP, CABLE MAX OD .625
-205	2180663	• CLAMP, 0.75 DIA CABLE
-206	2181337	• ADAPTER, CLAMP EXTENDER 1.437 EXT THREAD
-207	151598	• STRAIN RELIEF, 13/16 THREAD - 11/16 BX CABLE
-207A	237327	• STRAIN RELIEF, 1.0 THREAD 7/8 OD CABLE
-207B	342250	• STRAIN RELIEF, 1 1/4 THREAD 7/8 MAX OD CABLE
-207C	2198217	• STRAIN RELIEF, 1.5 THREAD 1.50 MAX OD CABLE
-209	SELECT	CLAMP, CABLE (NYLON)
-209	357433	• CLAMP, DIA .187/MTG HOLE .203
-209	356742	• CLAMP, DIA .250/MTG HOLE .177
-209	2102364	• CLAMP, DIA .220-.270/MTG HOLE .170
-209	350633	• CLAMP, DIA .330-.420/MTG HOLE .170
-209	2102366	• CLAMP, DIA .440/MTG HOLE .200
-209	350664	• CLAMP, DIA .470-.520/MTG HOLE .170
-209	2114108	• CLAMP, DIA .562/MTG HOLE .200
-209	327922	• CLAMP, DIA .625/MTG HOLE .204
-209	2114056	• CLAMP, DIA .688/MTG HOLE .200
-209	2102367	• CLAMP, DIA .700-.780/MTG HOLE .200
-209	327923	• CLAMP, DIA .875/MTG HOLE .204
-209	2102368	• CLAMP, DIA .880-1.060/MTG HOLE .200
-209	2102369	• CLAMP, DIA 1.230-1.550/MTG HOLE .200
-209	2102370	• CLAMP, DIA 2.050/MTG HOLE .200
-210	SELECT	CLAMP AND PLUNGER, CABLE (NYLON)
-210	2162901	• CLAMP, DIA .250/GRIP .046-.135/MTG HOLE .314
-210	2162902	• CLAMP, DIA .312/GRIP .046-.135/MTG HOLE .314
-210	2162903	• CLAMP, DIA .375/GRIP .046-.135/MTG HOLE .314
-210	2162904	• CLAMP, DIA .437/GRIP .046-.135/MTG HOLE .314
-210	2162905	• CLAMP, DIA .500/GRIP .046-.135/MTG HOLE .314
-210	2162906	• CLAMP, DIA .562/GRIP .046-.135/MTG HOLE .314
-210	2162907	• CLAMP, DIA .625/GRIP .046-.135/MTG HOLE .314
-210	2162908	• CLAMP, DIA .687/GRIP .087/MTG HOLE .314
-210	2162909	• CLAMP, DIA .750/GRIP .087/MTG HOLE .314
-210	2162910	• CLAMP, DIA .812/GRIP .087/MTG HOLE .314
-210	2162911	• CLAMP, DIA .875/GRIP .087/MTG HOLE .314
-210	2162912	• CLAMP, DIA 1.00/GRIP .087/MTG HOLE .314
-210	2162913	• CLAMP, DIA 1.125/GRIP .087/MTG HOLE .314
-210	2162914	• CLAMP, DIA 1.187/GRIP .087/MTG HOLE .314
-210	2162915	• CLAMP, DIA 1.250/GRIP .087/MTG HOLE .314
-210	2162916	• CLAMP, DIA 1.375/GRIP .087/MTG HOLE .314
-210	2162917	• CLAMP, DIA 1.500/GRIP .087/MTG HOLE .314
-210	2162918	• CLAMP, DIA .250/GRIP .110-.199/MTG HOLE .314
-210	2162919	• CLAMP, DIA .312/GRIP .110-.199/MTG HOLE .314
-210	2162920	• CLAMP, DIA .375/GRIP .110-.199/MTG HOLE .314
-210	2162921	• CLAMP, DIA .437/GRIP .110-.199/MTG HOLE .314
-210	2162922	• CLAMP, DIA .500/GRIP .110-.199/MTG HOLE .314
-210	2162923	• CLAMP, DIA .562/GRIP .110-.199/MTG HOLE .314
-210	2162924	• CLAMP, DIA .625/GRIP .110-.199/MTG HOLE .314
-210	2162925	• CLAMP, DIA .687/GRIP .062-.151/MTG HOLE .314
-210	2162926	• CLAMP, DIA .750/GRIP .062-.151/MTG HOLE .314

25	-210	2162927	• CLAMP, DIA .812/GRIP .062-.151/MTG HOLE .314
	-210	2162928	• CLAMP, DIA .875/GRIP .062-.151/MTG HOLE .314
	-210	2162929	• CLAMP, DIA 1.00/GRIP .062-.151/MTG HOLE .314
	-210	2162930	• CLAMP, DIA 1.125/GRIP .062-.151/MTG HOLE .314
	-210	2162931	• CLAMP, DIA 1.187/GRIP .062-.151/MTG HOLE .314
	-210	2162932	• CLAMP, DIA 1.250/GRIP .062-.151/MTG HOLE .314
	-210	2162933	• CLAMP, DIA 1.375/GRIP .062-.151/MTG HOLE .314
	-210	2162934	• CLAMP, DIA 1.500/GRIP .062-.151/MTG HOLE .314
	-211	2145183	• CLAMP, CABLE 0.828 ID X 1.500 WIDE
	-211A	2154940	• CLAMP, CABLE 1.125 ID X 1.500 WIDE
	-211B	4037306	• CLAMP, CABLE 0.614 ID X 1.500 WIDE
	-211C	2154996	• CLAMP, CABLE .750 ID X 1.50 WIDE
	-212	2207924	• CLAMP, CABLE 0.38 INSIDE RADIUS HALF W/.18 MTG SLOTS
	-212A	2244724	• CLAMP, CABLE 0.50 INSIDE RADIUS HALF W/.18 MTG SLOTS
	-212B	2281413	• CLAMP, CABLE 0.54 INSIDE RADIUS HALF NON-SLIP W/.199 MTG HOLES
	-212D	2181200	• CLAMP, .40 INSIDE RADIUS X .172 MTG HOLES
	-217A	2277423	• RETAINER, 4-40 THD DOUBLE HOLE
	-217B	138155	• RETAINER, CTS .104 DOUBLE HOLE
	-218	2245361	• PLATE, COAX CONNECTOR .340 CENTER HOLE
	-218A	4037462	• PLATE, COAX CONNECTOR 1.339 CENTER HOLE
	-218B	4037463	• PLATE, COAX CONN 1.063 CENTER HOLE
	-219	2277936	• STRAIN RELIEF, .234 X .886 CLAMPING AREA
	-220	2247497	• CLAMP, BAR
	-221	2180973	• STRAIN RELIEF, 0.094 X 1.09 CLAMPING AREA
	-221A	2204024	• STRAIN RELIEF, 0.031 X 1.09 CLAMPING AREA
	-222	2182915	• STRAIN RELIEF, 0.04 X 1.10 CLAMPING AREA
	-222A	5353922	• STRAIN RELIEF, 0.095 X 1.10 CLAMPING AREA
	-222B	2277032	• STRAIN RELIEF, 0.125 X 0.81 CLAMPING AREA
	-222C	5275481	• STRAIN RELIEF, 0.04 X 1.10 CLAMPING AREA
	-223	2170187	• STRAIN RELIEF, 0.062 X 1.10 CLAMPING AREA
	-224	5353896	• STRAIN RELIEF, WITH .125 X .230 X 1.490 PAD
	-224A	5466457	• STRAIN RELIEF, WITH .250 X .230 X 1.490 PAD
	-225	5352958	• STRAIN RELIEF, 1.610 WIDE X .220 TH X 0.52 LG
	-225A	5352960	• STRAIN RELIEF, 1.610 WIDE X .220 TH X 1.82 LG
	-225B	2757868	• STRAIN RELIEF, 1.610 WIDE X .220 TH 0.42 LG
	-225C	2520980	• STRAIN RELIEF, 1.610 WIDE X .220 TH 0.78 LG
	-226	2277031	• CLAMP, STRAIN RELIEF
	-227	2277033	• CLAMP, STRAIN RELIEF
	-228	2744813	• STRAIN RELIEF, 3 HI
	-228A	2744814	• STRAIN RELIEF, 3 HI
	-229	2277152	• STRAIN RELIEF, 1.705 X 2.438 LG (BLACK)
	-230	5352967	• STRAIN RELIEF, 1.82 LG X 1.61 WIDE
	-231	5466397	• STRAIN RELIEF, 1.135 LG (WHITE)
	-231A	5466399	• STRAIN RELIEF, 2.62 LG (RED)
	-232	2180914	• STRAIN RELIEF
	-233	2306428	• HOLDER, CABLE 1 AND 6 ROW 3HI
	-234	5466467	• CLAMP ASM, SQUAREWAVE STRAIN RELIEF
	-235	5466468	• BAR ASM, SQUAREWAVE STRAIN RELIEF
	-236	216300	• PLUG, STRAIN RELIEF
	-237	817972	• STRAIN RELIEF, CABLE SUPPORT
	-238	2744811	• STRAIN RELIEF, SERPENT 3 HI
	-239	4034312	• PLATE, SWITCH MTG .250 INSIDE RADIUS HALF
	-240	4034311	• PLATE, CABLE CLAMP 250 INSIDE RADIUS HALF
	-241	2277574	• EXTENDER, CARD STRAIN RELIEF
	-243	5466393	• STRAIN RELIEF, 0.38 X 1.12
	-244	216299	• STRAIN RELIEF
	-246	5318967	• SOCKET, 4 POS RELAY
	-249	737914	• CONNECTOR, SCREW HALF CABLE TO CARD
	-249A	737915	• CONNECTOR, NUT HALF CABLE TO CARD
	-251	2191079	• SHIELD ASM, TWO PIECE W/CLAMPS 160 POS.
	-252	5393043	• COVER, CONNECTOR BLOCK
	-253	5362306	• COVER, CONNECTOR BLOCK
	-254	2244722	• HOUSING, PLUG
	-255	2207911	• COVER, CONNECTOR
	-256	2181198	• STRAIN RELIEF
	-257	479904	• HOOD, LATCH W/CABLE CLAMP
	-258	743000	• HOOD, 13 POS. CONNECTOR
	-258A	743001	• CLIP, SPRING STEEL - "S" TYPE
	-258B	743002	• LOCK, SPRING - "U" TYPE

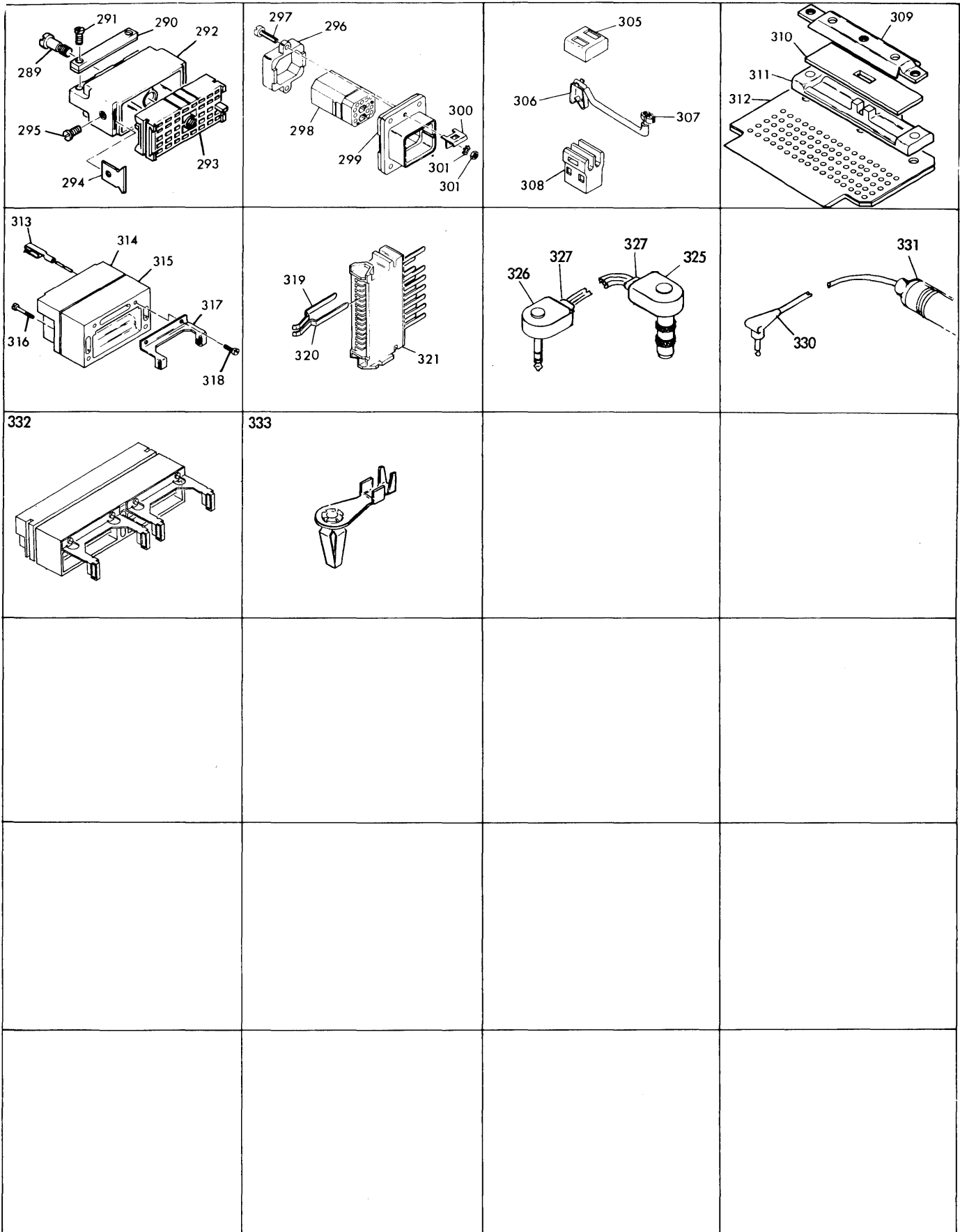


FIGURE 25. CABLE COMPONENTS (SHEET 4 OF 4)

25 -259	738256	• HOOD, 2 MODULE CABLE OD .650 TO .875
-259A	2196081	• HOOD, 1 MODULE CABLE OD .25 TO .62
-260	765295	• HOOD AND STRAIN RELIEF
-261	2757987	• BOOT, CABLE
-262	2127891	• HOOD AND STRAIN RELIEF
-265	2303942	• SUPPORT, CABLE
-266	2123024	• BRACKET, CABLE CLAMP
-267	2123032	• CLAMP, STRAIN RELIEF 20 POS.
-267A	2198251	• CLAMP, STRAIN RELIEF 26 POS.
-268	2193973	• BRACKET, RECEPTACLE
-269	2745319	• BRACKET
-270	1707318	• BRACKET
-271	2757438	• BRACKET
-273	811802	• GUIDE, CARD 6 PAC
-273A	811804	• GUIDE, CARD 12 PAC
-274	818556	• STRAIN RELIEF, TOP CARD CONNECTOR
-274A	818921	• STRAIN RELIEF, TOP CARD CONNECTOR
-275	813803	• STRAIN RELIEF, RIGHT 1.720 WIDE W/O SLOT
-275A	813805	• STRAIN RELIEF, .830 WIDE
-275B	815205	• STRAIN RELIEF, RIGHT 1.720 WIDE W/SLOT
-276	813804	• STRAIN RELIEF, LEFT 1.720 WIDE (USE W/813803)
-276A	813807	• STRAIN RELIEF, LEFT .830 WIDE
-276B	815204	• STRAIN RELIEF, LEFT 1.720 WIDE (USE W/815205)
-277	1707780	• PLUG, KEYING
-288	1229603	• TERMINAL
-288	2768116	• CONNECTOR
-289	587393	• SCREW, 10-24 X 1.00 LG CHROME
-290	587385	• CLAMP, W/NEOPRENE
-291	322522	• SCREW, BIND HD 6-32 X 0.88 LG
-292	587383	• COVER, STRAIN RELIEF 32 POS. CONNECTOR (CLEAR)
-293	546013	• CONNECTOR, 32 POS. OPEN WIRE (LEXAN GRAY)
-294	597506	• RETAINER, STRAIN RELIEF
-295	48594	• SCREW, BIND HD 4-40 X 0.125 LG
-296	2196080	• RETAINER, 1 FEMALE MODULE SOCKET .835 THICK
-296A	2196079	• RETAINER, 1 FEMALE MODULE SOCKET .429 LG
-296B	738166	• RETAINER, 2 FEMALE MODULE SOCKET
-297	NO NUMB	• SCREW
-298	738257	• MODULE BLOCK, FEMALE 4 POS.
-298A	738259	• MODULE BLOCK, MALE 4 POS.
-298B	2190715	• MODULE BLOCK, MALE 14 POS.
-298C	2190716	• MODULE BLOCK, FEMALE 14 POS.
-299	2196077	• RECEPTACLE, 1 BLOCK MODULE (FEMALE)
-299A	2196078	• RECEPTACLE, 1 BLOCK MODULE (MALE)
-299B	738196	• RECEPTACLE, 2 BLOCK MODULE SOCKET (FEMALE)
-299C	2196084	• RECEPTACLE, 2 BLOCK MODULE A (MALE)
-299D	2196085	• RECEPTACLE, 2 BLOCK, MODULE A (FEMALE)
-299E	2196086	• RECEPTACLE, 2 BLOCK MODULE B (MALE)
-299F	2196087	• RECEPTACLE, 2 BLOCK MODULE B (FEMALE)
-299G	2196088	• RECEPTACLE, 2 BLOCK MODULE C (MALE)
-299H	2196089	• RECEPTACLE, 2 BLOCK MODULE C (FEMALE)
-300	738198	• CLIP, SPRING .500 WIDE
-300A	738197	• CLIP, SPRING .750 WIDE
-300B	2192539	• CLIP, SPRING 1.250 WIDE
-301	NO NUMB	• NUT
-301	NO NUMB	• LOCKWASHER
-305	813549	• CAP, 2 PIN (COLOR NATURAL)
-305A	813802	• CAP, 4 PIN (COLOR NATURAL)
-306	813681	• CONTACT, MINIATURE BUS
-307	813827	• CONNECTOR, BUS
-308	813550	• HOUSING, 2 PIN (GREEN)
-308A	811491	• HOUSING, 2 PIN (NATURAL)
-308B	813703	• HOUSING, 2 PIN (DARK GREEN)
-308C	815065	• HOUSING, 3 PIN (GREEN)
-308D	813801	• HOUSING, 4 PIN (GREEN)
-309	216208	• CLAMP, CABLE CONNECTOR
-310	216210	• SPACER, RUBBER 1/16 TH
-310A	216233	• SPACER, RUBBER 3/32 TH
-311	216209	• SUPPORT, CABLE CONNECTOR CARD
-312	NO NUMB	• CARD ASM
-313	5362303	• CONTACT AND PIN ASM

25 -314	5393041	• CONNECTOR BLOCK, 24 POS. STYLE "A" (LIGHT GRAY)
-314A	5393042	• CONNECTOR BLOCK, 24 POS. STYLE "B" (DARK GRAY)
-314B	5353868	• CONNECTOR BLOCK, STYLE "B" 48 POS. (DARK GRAY)
-314C	5353867	• CONNECTOR BLOCK, STYLE "A" 48 POS. (LIGHT GRAY)
-315	5393044	• BLOCK, PIN GUIDE 24 POS. (DARK GRAY)
-315A	5353902	• BLOCK, PIN GUIDE 48 POS. (DARK GRAY)
-316	438536	• SCREW, FLAT HD 2-56 X 1/2 LG
-316A	109918	• SCREW, FLAT HD SELF-TAP 4-40 X 0.50 LG
-317	5353895	• BRACKET ASM, CARD RETAINING DOUBLE POST 1.31 APART
-317A	5404468	• BRACKET ASM, CARD RETAINING
-318	112628	• SCREW, BIND HD SELF-TAP 4-40 X 3/8 LG
-319	216088	• SPRING, CONTACT
-320	216087	• SPRING, CONTACT (CARD SLOT SIDE)
-321	216083	• RECEPTACLE, SINGLE CARD (16 PIN POS.)
-325	5252766	• JACK, FLAT CABLE MOUNT
-326	5252765	• PLUG, FLAT CABLE MOUNT
-327	1561344	• STRAIN RELIEF, CABLE
-330	5133781	• JACK, RIGHT ANGLE
-331	5133780	• CONNECTOR
-332	2281832	• CONNECTOR ASM, MACH HALF STYLE B 48 POS. (DARK GRAY) FOR COMPONENTS SEE 313, 314B, 315A, 316A, 317, 318
-332A	2281874	• CONNECTOR ASM, MACH HALF STYLE B 48 POS. (LIGHT GRAY) FOR COMPONENTS SEE 313, 314C, 315A, 316A, 317, 318
-332B	5362304	• CONNECTOR ASM, MACH HALF STYLE A 48 POS. (LIGHT GRAY) FOR COMPONENTS SEE 313, 314C, 315A, 317A, 318
-332C	5362305	• CONNECTOR ASM; MACH HALF STYLE B 48 POS. (DARK GRAY) FOR COMPONENTS SEE 313, 314B, 315A, 317A, 318
-333	4167279	• PLUG ASM, BANANA FOR COMPONENTS SEE 9T AND 53

END OF LIST 25

NUMERICAL INDEX

PART NUMBER	LIST-ITEM
453	7 - 67
3960	2 - 10
	2 - 20
	2 - 33
5528	7 - 48
6935	2 - 10
	2 - 21
9092	13 - 6
	2 - 18
10170	3 - 216
	3 - 222
	5 - 26
	5 - 36
	6 - 46
	7 - 15
11598	13 - 6
	3 - 32
	3 - 101
	8 - 61
21419	10 - 14
	9 - 14
22478	1 - 4
	11 - 14
	11 - 19
	3 - 63
24107	2 - 86
25282	2 - 45
28413	3 - 9
	3 - 28
	7 - 36
32042	1 - 17
	2 - 18
32617	7 - 22
36109	2 - 63
38051	11 - 7
38235	5 - 12
	6 - 6
38688	2 - 63
45690	1 - 7
	2 - 2
	2 - 18
	2 - 31
	2 - 35
47242	13 - 6
	3 - 55
48594	25 - 295
	3 - 224
55901	11 - 14
	11 - 19
	2 - 37
56079	2 - 31
	2 - 35
	3 - 9
	3 - 11
	3 - 12
	3 - 64
	3 - 101
	3 - 120
	3 - 121
	3 - 136
	5 - 43
	8 - 37
	8 - 62
56722	3 - 218
	4 - 7
	4 - 16
	7 - 23
	8 - 16
	8 - 22
	8 - 46
	8 - 57
60646	6 - 39
62031	11 - 7
	3 - 283
76574	2 - 33
	3 - 7
	3 - 123
79778	7 - 18
81693	12 - 8
	14 - 7

PART NUMBER	LIST-ITEM
81693	CONT 4 - 16
	6 - 11
	7 - 22
	8 - 22
	8 - 46
	8 - 56
	82725 25 - 7
	91444 25 - 22
	92050 2 - 69
	92784 25 - 8
	92786 25 - 22A
	97528 25 - 68
	98608 5 - 8
	103423 3 - 3
	109918 25 - 316A
	112628 25 - 318
	113750 25 - 6
	5 - 38
	123816 25 - 106
	124439 25 - 3
	124440 25 - 5
	129909 25 - 95A
	130434 2 - 31
	8 - 37
	138155 25 - 217B
	145729 25 - 63
	151598 25 - 207
	151720 2 - 13
	2 - 24
	179007 25 - 65
	179743 5 - 10
	5 - 16
	5 - 33
	186596 25 - 4
	186759 2 - 37
	3 - 63
	186959 25 - 5A
	186960 25 - 5B
	186961 25 - 5C
	186962 25 - 5D
	186965 25 - 17
	186967 25 - 17A
	186968 25 - 3A
	187243 25 - 65A
	187459 25 - 5E
	187460 25 - 17B
	188609 25 - 106A
	195000 25 - 180
	196810 25 - 32B
	204283 25 - 179
	216083 25 - 321
	216087 25 - 320
	216088 25 - 319
	216208 25 - 309
	216209 25 - 311
	216210 25 - 310
	216233 25 - 310A
	216299 25 - 244
	216300 25 - 236
	216323 11 - 31
	11 - 34
	216324 25 - 65B
	220032 7 - 63
	221790 3 - 52
	236849 4 - 11
	236915 25 - 27
	236916 25 - 27A
	237245 2 - 85
	237327 25 - 207A
	244049 3 - 125
	251970 3 - 145
	3 - 145
	253453 25 - 3T
	253569 8 - 33
	253740 25 - 3U
	8 - 34
	255994 25 - 17C
	256341 25 - 121
	257159 25 - 65C
	257187 3 - 218

PART NUMBER	LIST-ITEM
257187	CONT 8 - 16
	8 - 58
257189	1 - 5
	11 - 14
	11 - 19
	2 - 37
	6 - 40
257284	25 - 5F
257982	14 - 11
257986	2 - 77
	3 - 266
	7 - 41
	7 - 51
	7 - 56
259009	25 - 34
268596	25 - 69
311072	7 - 68
313289	25 - 5H
313361	25 - 17D
	6 - 26
	6 - 31
317391	25 - 97
319415	7 - 10
319895	25 - 12
320167	25 - 65D
321050	25 - 97T
321051	25 - 96
322025	25 - 3B
322065	4 - 7
	8 - 15
322522	25 - 291
322550	7 - 12
	7 - 29
323837	11 - 5
323843	7 - 11
327921	3 - 70
	7 - 69
327922	25 - 209
327923	25 - 209
332620	7 - 3
332747	7 - 65
333064	2 - 64
334768	25 - 3C
334910	25 - 3D
334921	25 - 3E
	4 - 25
	7 - 21
334932	25 - 3F
	7 - 21
335327	25 - 11
335383	25 - 12A
335970	25 - 12B
338169	3 - 125
338595	3 - 3
339156	25 - 33
342250	25 - 207B
350633	25 - 209
350664	25 - 209
350830	10 - 1
	3 - 53
350837	25 - 97J
352848	7 - 14
356705	25 - 3G
356742	25 - 209
357433	25 - 209
359695	25 - 4A
360193	13 - 3
360363	25 - 95
360370	25 - 3H
360433	25 - 65E
360590	25 - 21
368169	25 - 31B
368222	25 - 21A
368594	25 - 76
372688	6 - 10
381741	3 - 127
	3 - 229
430798	25 - 27B
430799	25 - 27C
438536	25 - 316

PART NUMBER	LIST-ITEM
438569	3 - 204
	3 - 212
438602	3 - 31
438673	25 - 9T
438697	25 - 17G
438699	25 - 17H
440029	25 - 97V
442585	25 - 1A
479904	25 - 257
479986	11 - 26
	11 - 29
482389	25 - 11C
483573	25 - 3N
483644	25 - 17F
483648	25 - 23
483649	25 - 23A
483650	25 - 23B
483651	25 - 23C
483652	25 - 23D
483653	25 - 65F
483654	25 - 65M
483655	25 - 65K
483656	25 - 65N
483657	25 - 65G
483658	25 - 65H
483659	25 - 65J
483661	25 - 65P
483664	25 - 23E
483674	25 - 9Q
483675	25 - 9R
483676	25 - 9M
483677	25 - 9A
483678	25 - 9B
	5 - 41
483679	25 - 9N
483680	25 - 9C
483681	25 - 9D
483682	25 - 9E
483683	25 - 9F
483684	25 - 9G
483685	25 - 9H
483686	25 - 9J
	5 - 42
483687	25 - 9K
483688	25 - 9L
483689	25 - 9
483690	25 - 9P
483693	25 - 17E
501092	25 - 11B
501453	25 - 1B
502522	25 - 12G
502523	25 - 12C
504879	25 - 3J
508137	2 - 78
513271	3 - 2
513668	12 - 7
	14 - 6
515661	7 - 35
517913	25 - 46
	8 - 35
523181	25 - 25A
523255	25 - 73
523267	25 - 27D
523268	25 - 150
523269	25 - 166
523276	25 - 3K
526378	8 - 63
526516	25 - 144
528484	5 - 37
530067	25 - 97M
532393	3 - 71
533082	25 - 76A
535083	25 - 69A
535084	25 - 76B
535085	25 - 69B
535086	25 - 76C
538724	25 - 125
540674	25 - 10
546013	25 - 293
550501	25 - 66

PART NUMBER	LIST-ITEM
-------------	-----------

550561.....25 -144A
556101.....25 -143
560472.....25 -130
569878.....25 -152A
569879.....25 -148B
587383.....25 -292
587385.....25 -290
587393.....25 -289
591047.....25 - 44
591649.....25 - 93
595725.....25 - 97A
595726.....25 - 99
596255.....25 - 44A
596382.....25 - 92
597038.....25 - 97B
597068.....2 - 3
.....2 - 52
597178.....25 -151
597179.....25 - 59
597215.....3 -119
597301.....25 -147
597506.....25 -294
598041.....25 - 54
599557.....8 - 10
600844.....25 - 66A
602603.....25 - 97C
603152.....25 - 21C
603247.....25 - 22B
609686.....25 -148
609687.....25 - 59A
631647.....25 -140
631648.....25 -140A
639088.....25 -108
642909.....25 - 27E
645018.....25 -107
652663.....25 -148D
652664.....25 -152B
719180.....6 - 12
721609.....25 -126
725506.....25 -185
725557.....25 -146
725558.....25 -151A
731058.....25 - 27F
731629.....1 - 22
.....1 - 24
.....2 - 80
734483.....3 -201
.....3 -209
.....3 -237
.....3 -239
.....3 -244
.....3 -246
734886.....11 - 33
736546.....25 - 47
736547.....25 - 55
737914.....25 -249
737915.....25 -249A
738166.....25 -296B
738196.....25 -299B
738197.....25 -300A
738198.....25 -300
738254.....25 - 81
738255.....25 - 82
738256.....25 -259
738257.....25 -298
738259.....25 -298A
738825.....11 - 30
.....5 - 32
738826.....5 - 9
.....5 - 15
738842.....25 -193
740489.....6 - 47
740491.....6 - 15
740501.....8 - 66
740503.....6 - 5
740549.....25 -172
740550.....6 - 20
740571.....6 - 48
740608.....6 - 5
740617.....25 -201

PART NUMBER	LIST-ITEM
-------------	-----------

740623.....6 - 32
743000.....25 -258
743001.....25 -258A
743002.....25 -258B
751038.....25 - 25C
760259.....25 -107A
760260.....25 - 98
765295.....25 -260
767682.....25 - 18
767683.....25 - 18A
767684.....25 - 36
767686.....25 - 18B
804109.....8 - 55
804715.....25 - 1
806715.....25 - 3L
811417.....7 - 51
.....7 - 56
811427.....11 - 21
.....3 -284
.....7 - 7
811491.....25 -308A
811492.....25 -192C
811802.....25 -273
811804.....25 -273A
813194.....25 - 38
813195.....25 - 38A
813197.....25 -155
813253.....25 -192
813255.....25 -192A
813258.....25 -192B
813519.....7 - 6
813549.....25 -305
813550.....25 -308
813681.....25 -306
813703.....25 -308B
813801.....25 -308D
813802.....25 -305A
813803.....25 -275
813804.....25 -276
813805.....25 -275A
813807.....25 -276A
813810.....25 - 49
813827.....25 -307
814126.....25 -184
815065.....25 -308C
815204.....25 -276B
815205.....25 -275B
815568.....25 -157
815879.....3 -245
.....7 - 55
815886.....9 - 18
815933.....25 - 36A
.....6 - 27
815934.....25 - 36B
815935.....25 - 36C
816883.....25 - 38B
816884.....25 - 38C
816983.....3 272
817770.....25 - 38D
817905.....3 -242
817972.....25 -237
818002.....3 -272
818101.....25 -154
818268.....25 -191
818300.....9 - 1
818556.....25 -274
818579.....3 -262
818686.....25 -191A
818921.....25 -274A
819013.....3 -236
.....3 -238
819251.....3 -248
.....7 - 58
.....9 -REF
819268.....3 -243
.....7 - 50
819284.....3 -247
819287.....9 - 3
819288.....10 - 5
.....9 - 5

PART NUMBER	LIST-ITEM
-------------	-----------

819289.....9 - 2
819299.....10 - 4
.....7 - 46
.....9 - 4
819410.....3 -274
819411.....3 -275
819431.....3 -236
.....3 -238
819535.....10 - 16
.....9 - 16
819556.....10 - 13
.....9 - 13
819557.....9 - 13
819558.....10 - 15
.....9 - 15
819559.....9 - 15
819562.....25 -163
819580.....3 -272
820384.....25 -123
821087.....5 - 20
825607.....25 -123A
832957.....25 -127A
838650.....5 - 20
838651.....5 - 20
839526.....25 - 12D
847110.....11 - 25
853288.....3 -202
.....3 -210
NO NUMB.....11 - 11
.....11 - 16
.....25 -297
.....25 -301
.....25 -301
.....25 -312
.....3 - 74
.....3 - 75
NP.....1 -REF
.....1 - 40
.....1 - 45
.....2 -REF
.....2 -REF
.....3 -REF
.....3 -REF
.....3 -REF
.....3 -REF
.....3 -54
.....3 - 62
.....5 -REF
SELECT.....25 -209
.....25 -210
1090873.....1 - 5
.....6 - 38
1092019.....25 - 2
1092125.....2 - 67
1119009.....25 - 21B
1127037.....25 - 27G
1142155.....25 - 27H
1142533.....25 -160
1142534.....25 - 39
1142817.....25 -160A
1142822.....25 - 79
1149260.....25 -149
1151131.....25 -146B
1151541.....25 -156
1151543.....25 -156B
1152636.....25 - 21E
1160977.....25 -165
1166032.....25 - 31
1166035.....25 - 31A
1166114.....25 - 67A
1166115.....25 - 80
1166116.....25 -146A
1166117.....25 -151B
1166498.....25 -146C
1166499.....25 -164B
1177057.....25 - 27N
1203351.....25 -158
1229603.....25 -288
1466244.....25 -145K

PART NUMBER	LIST-ITEM
-------------	-----------

1561344.....25 -327
1574905.....8 - 20
1707318.....25 -270
1707780.....25 -277
1765712.....3 -265
1765714.....3 -265
.....7 - 40
1765731.....7 - 61
1765733.....7 - 2
1765734.....7 - 66
1765735.....7 - 17
1765736.....7 - 60
1765737.....3 - 68
.....7 -REF
1765741.....5 - 35
1765745.....5 - 25
1765747.....5 - 25
1765749.....5 - 25
1765751.....5 - 25
1765753.....5 - 20
1765754.....5 - 20
1765757.....3 -231
1766034.....25 -REF
1766038.....25 -REF
1766039.....25 -REF
1766120.....3 - 6
1766121.....3 - 6
1766189.....4 - 8
1766246.....3 -135
1766247.....3 -135
1766281.....3 - 6
1766290.....3 - 6
1766291.....3 - 6
1766512.....3 -253
.....3 -253
1767943.....1 - 36
1767944.....1 - 13
1767945.....1 - 36
1767946.....1 - 13
1767947.....1 - 36
1767948.....1 - 13
1767949.....1 - 36
1767950.....1 - 13
1767951.....1 - 36
1767952.....1 - 13
1767953.....1 - 36
1767954.....1 - 13
1767967.....3 -230
1767969.....3 -233
1797481.....11 - 28
1846310.....3 - 68
.....7 -REF
1846368.....11 - 1
1846370.....11 -REF
.....3 -258
1847520.....25 - 60
1847521.....25 - 61
1847522.....25 - 60A
1847523.....25 - 61A
1847524.....25 -177
1847525.....25 -168
1847526.....25 -177A
1847527.....25 -168F
1847528.....25 -177B
1847529.....25 -168A
1847530.....25 -178
1847531.....25 -168B
1847532.....25 -178A
1847533.....25 -168C
1847534.....25 -178B
1847535.....25 -168D
1847536.....25 -178C
1847537.....25 -168E
1847601.....2 - 5
.....2 - 54
1847603.....5 - 40
1847608.....1 - 12
.....12 -REF
1847609.....1 - 12
.....12 -REF

PART NUMBER	LIST-ITEM
18476101 - 12
12 -REF
18476111 - 12
12 -REF
18476121 - 12
18476131 - 35
14 -REF
18476141 - 35
14 -REF
18476151 - 35
14 -REF
18476161 - 35
14 -REF
184761714 -REF
184762112 -REF
18476283 - 20
3 -104
18476293 -102
184763012 - 6
14 - 5
18476473 -260
18477171 - 35
18485843 - 18
18486043 -144
3 -144
199118825 -160L
199118925 -160G
199119025 - 39B
210132625 - 8B
210132725 - 8C
210165725 - 5G
210236425 -209
210236625 -209
210236725 -209
210236825 -209
210236925 -209
210237025 -209
210261725 - 3M
211405625 -209
211410825 -209
211453125 - 33A
211484925 - 8A
211960425 - 9A
212220225 -199
212220325 -200
212221425 -141B
212221525 -141D
212225425 -141
212225525 -141A
212225625 -139D
212225825 - 70
212225925 - 77
212226025 - 70A
212226125 - 77B
212262525 -139
212262625 -139A
212263625 -199A
212263725 -200A
212283725 -141C
212302425 -266
212302825 -195A
212302925 -196
212303025 -198
212303125 -198A
212303225 -267
212339325 - 25B
212347825 - 33B
21258987 - 13
212785425 -139B
212785525 -139C
212786725 - 70B
212789025 - 77C
212789125 -262
212798525 - 87
213110225 202
213175025 -125A
213319225 -175A
213319325 -175B
213503125 -133
214517025 - 59B

PART NUMBER	LIST-ITEM
214518325 -211
215278825 - 97E
215424325 - 71
215486825 - 32
215488825 - 32A
215494025 -211A
215499625 -211C
215868825 - 30
216095125 -182
216095325 -182A
216248525 -135
216259025 - 46A
216290125 -210
216290225 -210
216290325 -210
216290425 -210
216290525 -210
216290625 -210
216290725 -210
216290825 -210
216290925 -210
216291025 -210
216291125 -210
216291225 -210
216291325 -210
216291425 -210
216291525 -210
216291625 -210
216291725 -210
216291825 -210
216291925 -210
216292025 -210
216292125 -210
216292225 -210
216292325 -210
216292425 -210
216292525 -210
216292625 -210
216292725 -210
216292825 -210
216292925 -210
216293025 -210
216293125 -210
216293225 -210
216293325 -210
216293425 -210
216384725 - 98A
217018725 -223
21721664 - 6
7 - 27
217846925 -106B
217847025 - 98B
217852625 - 21D
218065925 -132
218066025 -124
218066125 -134
218066225 -136
218066325 -205
218066425 -100
218066525 -105
218066625 -104
218066725 - 89
218066825 - 84
218067025 - 81A
218067125 - 82A
218067225 -170
218067325 -170A
218079625 -195
218091425 -232
218097325 -221
21810041 - 2
2 - 2
2 - 4
2 - 35
2 - 47
2 - 53
2 - 53
3 - 12
3 - 19
3 - 21

PART NUMBER	LIST-ITEM
2181004	CONT.....3 - 55
3 - 57
3 - 64
3 - 69
3 - 72
3 -103
3 -105
3 -120
3 -143
5 - 43
21810087 - 41
21810883 -266
218119825 -256
218120025 -212D
218127825 -111
218133725 -206
218248825 -176
218252325 -176C
218273225 -106C
218290125 - 72
218290225 - 75
218291525 -222
218418225 -107B
218418325 - 98C
219071525 -298B
219071625 -298C
219074225 - 69C
219107725 -171
219107825 -171A
219107925 -251
219134125 -169
219135925 -103
219250225 - 81B
219250325 - 82B
219250425 - 81C
219250525 - 82C
219250625 - 81D
219250725 - 81E
219253825 -103A
219253925 -300B
219397325 -268
219405425 - 93A
219477025 -135A
219492625 -135B
219492825 -135C
219493425 - 88
219607725 -299
219607825 -299A
219607925 -296A
219608025 -296
219608125 -259A
219608425 -299C
219608525 -299D
219608625 -299E
219608725 -299F
219608825 -299G
219608925 -299H
219622325 - 12E
219821725 -207C
219825125 -267A
220402425 -221A
220726725 -132B
220726825 -124A
220726925 -134A
220791125 -255
220792425 -212
221846625 -160B
221846825 - 90
221846925 - 91
221856425 -102
221856525 -102A
221866625 -153
221866725 - 64
22188242 - 75
22188492 - 76
22188602 - 77
22188612 - 79
222745225 -105A
222745325 -100A
222745425 - 89A

PART NUMBER	LIST-ITEM
222886625 -142
222954025 - 97D
222954325 - 26
223203925 -151C
223204125 -152
223204225 -148A
223930225 -204
224270425 -187
224271925 -187A
224309925 -132A
224313425 -136A
224314825 -203
224320025 -103B
224401625 -170B
224472225 -254
224472325 -197
224472425 -212A
224472525 -170C
224536125 -218
224537325 - 86
224749725 -220
225109025 - 49A
225239425 - 74
226799525 - 3S
227497525 - 27J
227505225 -153A
227507925 -153B
227703125 -226
227703225 -222B
227703325 -227
227715225 -229
227742325 -217A
227757425 -241
227772625 - 46B
227775325 -160C
227788725 - 27K
227793625 -219
227878325 - 97S
228112825 - 62
228112925 -162
228119325 - 97F
228126725 - 39A
228136225 - 97N
228140825 - 97G
228140925 - 97H
228141025 - 97P
228141125 - 97R
228141325 -212B
228161625 - 12F
228183225 -332
228187425 -332A
228221625 - 13
228221725 - 15
228274925 - 14
228291525 - 13A
228291625 - 13B
228291725 -127
228291925 -103E
228292025 - 13C
228661625 - 3P
228661725 - 3R
230394225 -265
230461025 - 55A
230635825 - 16
230642825 -233
230644225 -160D
230644325 -160E
231098425 - 26B
233387225 - 45A
234347425 - 39C
234469725 -173
234807925 - 21F
234809825 -161
235196125 - 53
235220225 -105B
235222025 - 83
235222925 - 37
235320125 - 40
235320225 - 48
23736605 - 6

PART NUMBER	LIST-ITEM
-------------	-----------

25011943 - 10
3 -122
 25012861 - 21
 250230725 - 27L
 250233725 -156C
 250314811 - 20
 25035377 - 20
 25035576 - 45
 25073882 - 68
 251267212 - 1
 25129652 - 8
 251301213 - 1
 25130711 - 6
 251325425 - 80B
 251325625 -165A
 25133392 - 34
 25133412 - 30
 25133422 - 29
 25176817 - 1
 25176837 - 45
 25176847 - 47
 25182667 - 28
 25184217 - 30
 25208103 - 1
 25208573 -117
 25208643 -203
3 -211
 25208653 -200
 25208666 - 1
 25208705 - 1
 25208715 - 31
 25208725 - 35
5 - 35
 25208735 - 25
 25208745 - 35
 25208765 - 5
 25208815 - 30
 25208853 -208
 25208862 - 16
2 - 22
 25208872 - 17
 25208893 -228
 25208906 -REF
 25208973 -133
 25208986 - 25
 25208995 - 35
 25209005 - 35
 25209015 - 25
 25209025 - 25
 25209035 - 25
 25209055 - 25
 25209075 - 25
 25209116 - 30
 25209153 - 56
 25209162 - 58
 25209178 - 11
 25209183 -232
8 -REF
 25209223 -100
 25209253 - 51
 25209313 -146
3 -146
 25209323 -147
3 -147
 25209353 -282
 25209373 -232
8 -REF
 252093811 - 17
 252093911 - 12
 252094011 - 13
11 - 18
 25209465 - 11
 25209473 -230
 25209483 -231
 25209493 -233
 25209533 -261
 252095514 - 10
 25209563 -142
 25209623 -223
 252096310 - 18

PART NUMBER	LIST-ITEM
-------------	-----------

252096410 -REF
3 -248
 252096710 - 2
 252096810 - 3
 25209693 - 30
 25209703 -144
3 -144
 25209713 -221
 25209723 - 29
 25209733 - 27
 252098025 -225C
 25209813 -133
 25209823 -260
 25209843 -126
 252098512 - 5
 25209862 - 54
 252098725 -REF
 252098825 -REF
 252098925 -REF
 252099025 -REF
 252099125 -REF
 252099225 -REF
 252099325 -REF
 252099425 -REF
 25209953 -217
 25209963 -215
 252099713 - 1
 25209981 - 20
13 -REF
 252102511 - 22
25 -REF
 252102611 - 22
25 -REF
 252102711 - 22
25 -REF
 252102811 - 22
25 -REF
 252102911 - 22
25 -REF
 25211703 -265
 25213843 -265
 25213863 -265
 25213883 -265
 25213903 -265
 25213923 -265
 25213943 -265
 25213963 -265
 25213983 -265
 252141525 -REF
 252141611 -REF
3 -258
 252141711 - 1
 252145225 -REF
 25214553 - 8
4 - REF
 25214563 - 8
4 - REF
 25214704 - 1
 25214883 -112
 25214893 -112
 25214903 - 6
 25214913 - 6
 252149725 -REF
 252149825 -REF
 252152425 -REF
 252152525 -REF
 252153225 -REF
 252153325 -REF
 252153425 -REF
 252153525 -REF
 252153725 -REF
 252154225 -REF
 252154325 -REF
 252155325 -REF
 252155425 -REF
 25215624 - 10
 252159125 -REF
 25216011 - 1
 25216021 - 3
 252160314 - 1

PART NUMBER	LIST-ITEM
-------------	-----------

25216051 - 28
13 -REF
 25216081 - 12
12 -REF
 25216091 - 12
12 -REF
 25216101 - 12
12 -REF
 25216111 - 12
12 -REF
 25216121 - 35
14 -REF
25 -REF
 25216131 - 35
14 -REF
 25216141 - 35
14 -REF
 25216151 - 35
14 -REF
 25216211 - 12
12 -REF
 25216221 - 35
14 -REF
 25216231 - 36
 25216241 - 13
 25216251 - 36
 25216261 - 13
 25216271 - 36
 25216281 - 13
 252360425 -112
 252460625 -REF
3 -135
 252460725 -REF
3 -135
 252460825 -REF
3 -135
 25246123 -135
 256504125 -119
 258001611 - 28
 258800111 - 10
11 - 15
 25900103 - 4
3 -254
7 - 5
 25900113 - 4
 262134925 -176B
 262135025 -120
 263768025 -145A
 263768225 - 51
 263768425 -145F
 263768925 -115
 264675225 -157A
 272899525 -160F
 273138425 - 43
 273138925 -145J
 273139025 -145I
 273139125 -145H
 273139425 -145D
 273139725 -145
 273140625 -145E
 273173125 -145C
 27317336 - 21
 273235425 -145B
 274479725 - 24
 274480525 -159
 274481125 -238
 274481325 -228
 274481425 -228A
 274488125 - 20F
 274488225 - 20G
 274488325 - 20H
 274488425 - 20C
 274488525 - 20D
 274488625 - 20E
 274488725 - 20
 274488825 - 20A
 274488925 - 20B
 274489025 - 19F
 274489125 - 19G
 274489225 - 19H

PART NUMBER	LIST-ITEM
-------------	-----------

274489325 - 19C
 274489425 - 19E
 274489525 - 19D
 274489625 - 19
 274489725 - 19A
 274489825 - 19B
 274502325 -134B
 274502425 -128
 274502825 -128A
 274502925 -113
 274504425 -159E
 274531925 -269
 275733825 -186
 275733925 - 50
 275734025 -118
 275743825 -271
 275786825 -225B
 275798425 -137
 275798725 -261
 275799325 -138
 275799825 - 56
 275836125 -160K
 276361425 -141E
 276364025 -142A
 276811625 -288
 282998925 -176A
 403431125 -240
 403431225 -239
 403730625 -211B
 403746225 -218A
 403746325 -218B
 41038904 - 20
7 - 27
 41201714 - 15
7 - 26
 416717325 -101
 416717425 -101A
 416727925 -333
 416741325 - 60B
 416741425 - 57
 41695707 - 62
 41695717 - 64
 420360825 -103C
 42944523 -265
 429445425 -265
 42944563 -265
 429445825 -265
 42944911 - 36
 42944921 - 13
 42944941 - 36
 42944951 - 13
 42944971 - 36
 42944981 - 13
 42945083 -230
 42945093 -231
 429454711 - 55
 429455511 -REF
3 -258
 42945583 -112
 42945593 -112
 42946253 -150
 42946263 -151
 42946273 -152
 42946283 -153
 434388711 - 49
 505242625 -129
 513378025 -331
 513378125 -330
 518218925 -145G
 521309225 - 58
 521312125 - 69D
 521327425 - 27M
 521439525 - 28A
 521457025 - 67B
 521457225 -158A
 521457325 -152C
 521459425 - 27Q
 521499525 -146D
 521499625 -164A
 524718725 - 28

PART NUMBER	LIST-ITEM
-------------	-----------

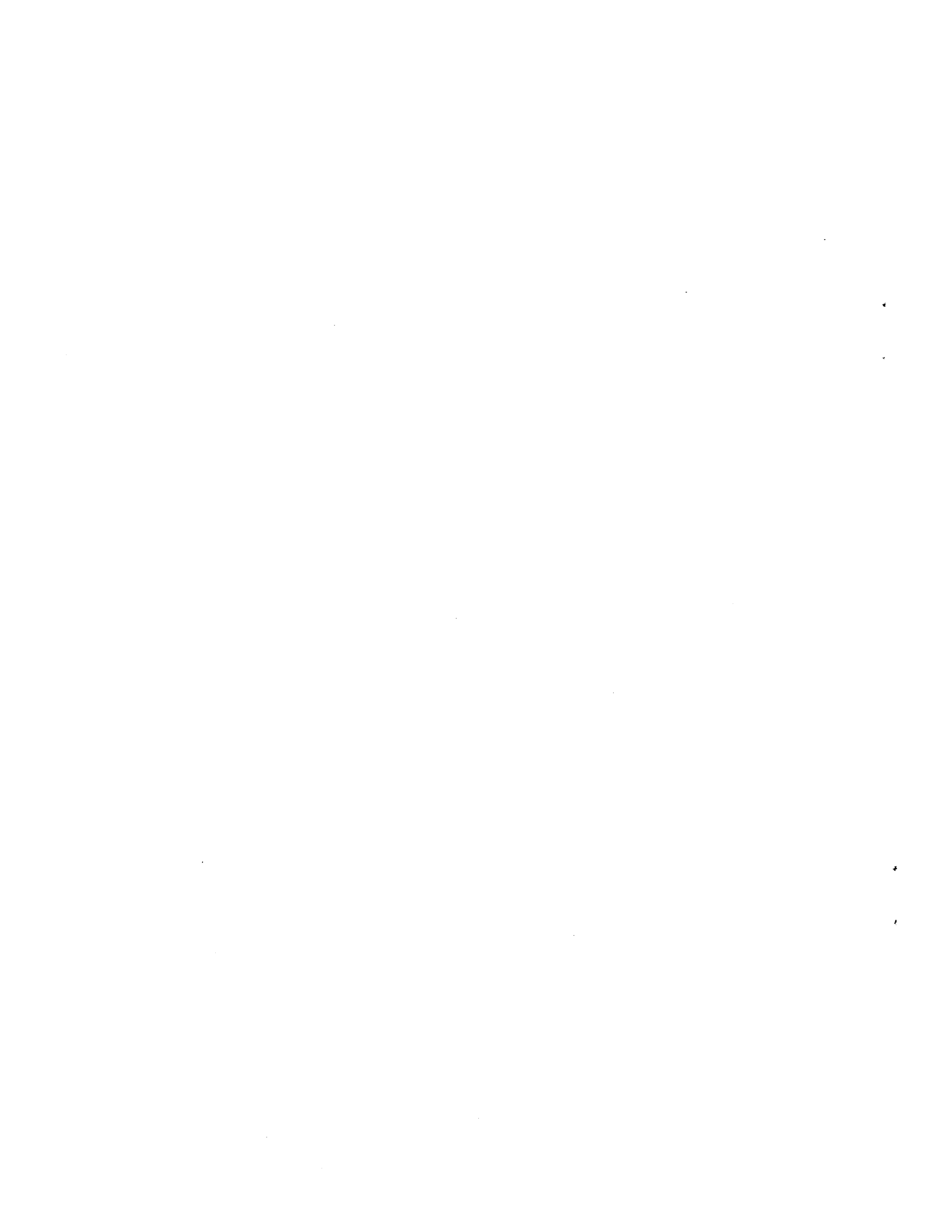
525258125 -159C
525258225 - 24A
525258425 -159A
525258725 -159B
525259125 -159D
525276525 -326
525276625 -325
525276725 -116
525276825 -117
52528238 - 60
527128825 - 85
.....3 -124
527172125 -167C
527548125 -222C
530266225 -175
531219611 - 27
531242925 - 45
531896725 -246
53198547 - 31
532797611 - 6
532817625 - 10A
533708925 - 97L
53498888 - 4
53500063 -259
535117725 - 25E
535221125 - 27P
535295825 -225
535296025 -225A
535296725 -230
53533013 - 7
.....3 -113
53537192 - 65
535385125 -167
535385225 - 25
535385325 -167B
.....7 - 25
.....8 - 31
535385425 - 42
.....7 - 24
.....8 - 32
535386725 -174
.....25 -314C
535386825 -174A
.....25 -314B
535386925 -174B
535388511 - 48
535388711 - 41
.....11 - 44
.....11 - 46
.....11 - 51
.....11 - 54
535389525 -317
535389625 -224
535390225 -315A
535392225 -222A
53563412 - 1
53563922 - 9
.....2 - 19
.....2 - 32
53563931 - 16
53564061 - 23
53564331 - 4
53564372 - 11
53564462 - 84
53570058 - 20
53570068 - 20
53570118 - 1
53570128 - 65
53570208 - 30
53570218 - 36
53570904 - 5
.....7 - 26
53571358 - 6
53571368 - 5
53571378 - 60
535713825 -167A
53571448 - 21
53571458 - 45
53620031 - 15
53620041 - 14

PART NUMBER	LIST-ITEM
-------------	-----------

536230125 - 41
536230225 - 41A
536230325 -313
536230425 -332B
.....3 -128
536230525 -332C
.....3 -128
536230625 -253
53679045 - 20
537218211 - 40
537218311 - 45
.....11 - 53
537284811 - 48
.....11 - 50
537364613 - 5
53736472 - 44
53736502 - 42
53736512 - 46
53736522 - 43
53736532 - 41
53737202 - 66
53831122 - 12
.....2 - 23
.....2 - 59
.....3 - 11
.....3 -118
.....3 -121
.....3 -134
.....3 -136
539304125 -314
539304225 -314A
539304325 -252
539304425 -315
539305425 -194
53976385 - 7
540446825 -317A
540448025 - 41B
541260925 -164
541263925 -148C
541264225 - 67
541264325 - 80A
541281725 - 25D
541454425 -181
541454525 - 52
54180472 - 70
544774125 -188
546266525 - 79A
546639325 -243
546639725 -231
546639925 -231A
546644911 - 43
546645725 -224A
546646725 -234
546646825 -235
54683058 - 45
54683068 - 21
548685125 - 41C
548685225 - 41E
548685325 - 41D
549830111 - 28
55020063 - 2
570021125 - 78
575071225 -110
575537525 -187B
57595062 - 36
.....6 - 35
576155325 - 29
576188225 -156A
576662625 - 84A
592173825 -160J
592182225 -160H
80366187 - 20

PART NUMBER	LIST-ITEM
-------------	-----------

PART NUMBER	LIST-ITEM
-------------	-----------



READER'S COMMENT FORM

3803 Tape Control
Models 1,2 and 3
Parts Catalog

Order No. S132-0004-4

● How did you locate the part in this catalog?

- By using the visual index?
- By using the Final Assembly Drawing (Fig. 3)?
- By using the table of contents?
- By using the numerical index?
- By using visual random scan of the pages

● What is your occupation?

● Based on your experience, rate this publication

- | | | | |
|----------------------|-------------------------------|-------------------------------|-------------------------------|
| Ease of finding part | <input type="checkbox"/> Good | <input type="checkbox"/> Fair | <input type="checkbox"/> Poor |
| Clarity of art | <input type="checkbox"/> Good | <input type="checkbox"/> Fair | <input type="checkbox"/> Poor |

● Please explain any problems below or any other comments you would like to make about this publication; please give specific page and line references where appropriate.

● Reply Requested

- Yes
- No

Name _____

Address _____

● Thank you for your cooperation. No postage stamp necessary if mailed in U. S. A.

Your comments, please . . .

This manual is part of a library that serves as a reference source for systems analysts, programmers, and operators of IBM systems. Your comments on the other side of this form will be carefully reviewed by the persons responsible for writing and publishing this material. All comments and suggestions become the property of IBM.

Cut Along Line

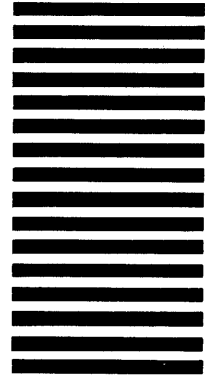
Fold

Fold



NO POSTAGE
NECESSARY
IF MAILED
IN THE
UNITED STATES

BUSINESS REPLY MAIL
FIRST CLASS PERMIT NO. 40 ARMONK, N.Y.



POSTAGE WILL BE PAID BY ADDRESSEE:

International Business Machines Corporation
Department E47
Monterey & Cottle Rds.
San Jose, California
95193

Fold

Fold



International Business Machines Corporation
Data Processing Division
1133 Westchester Avenue, White Plains, N.Y. 10604

IBM World Trade Americas/Far East Corporation
Town of Mount Pleasant, Route 9, North Tarrytown, N.Y., U.S.A. 10591

IBM World Trade Europe/Middle East/Africa Corporation
360 Hamilton Avenue, White Plains, N.Y., U.S.A. 10601