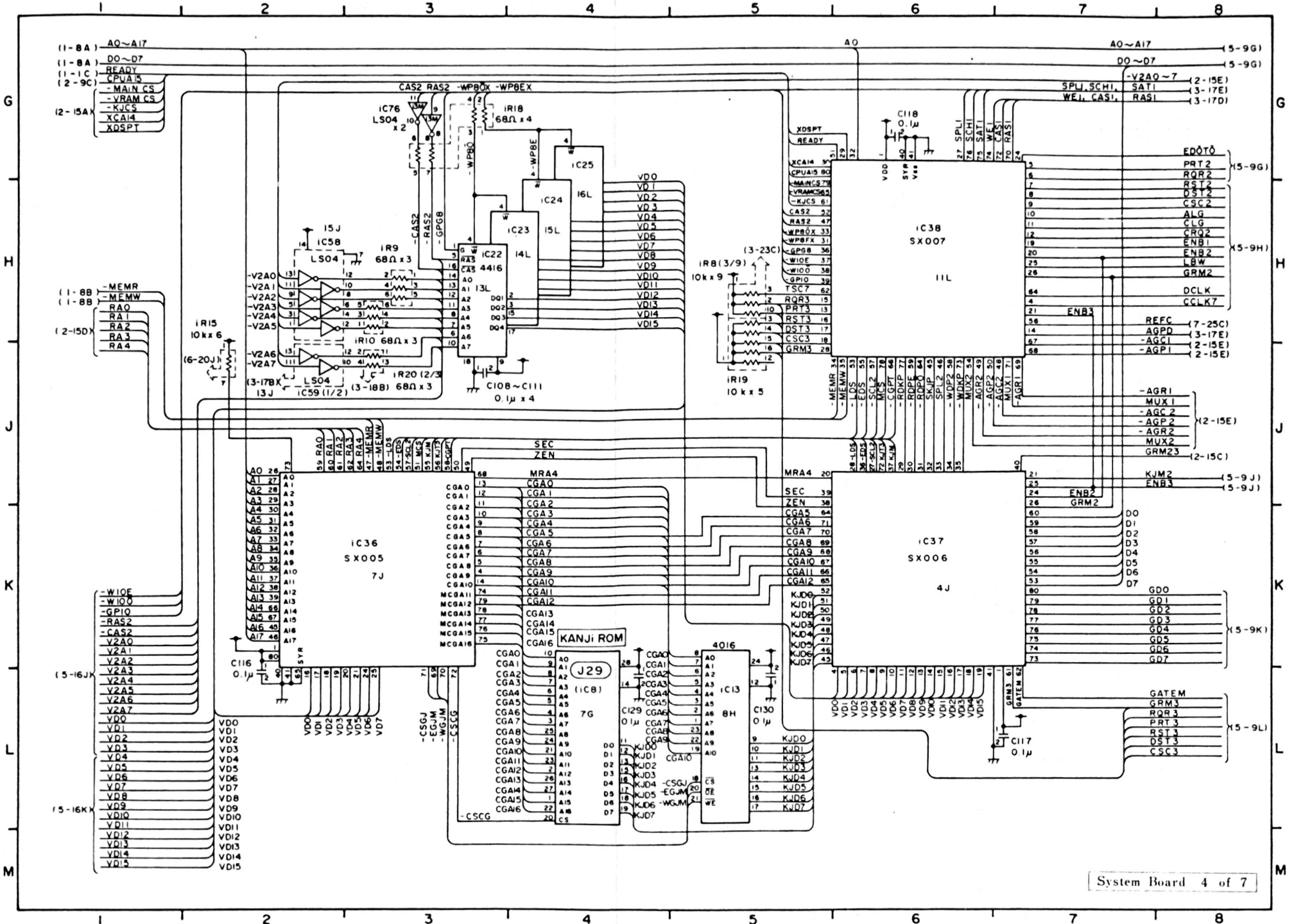
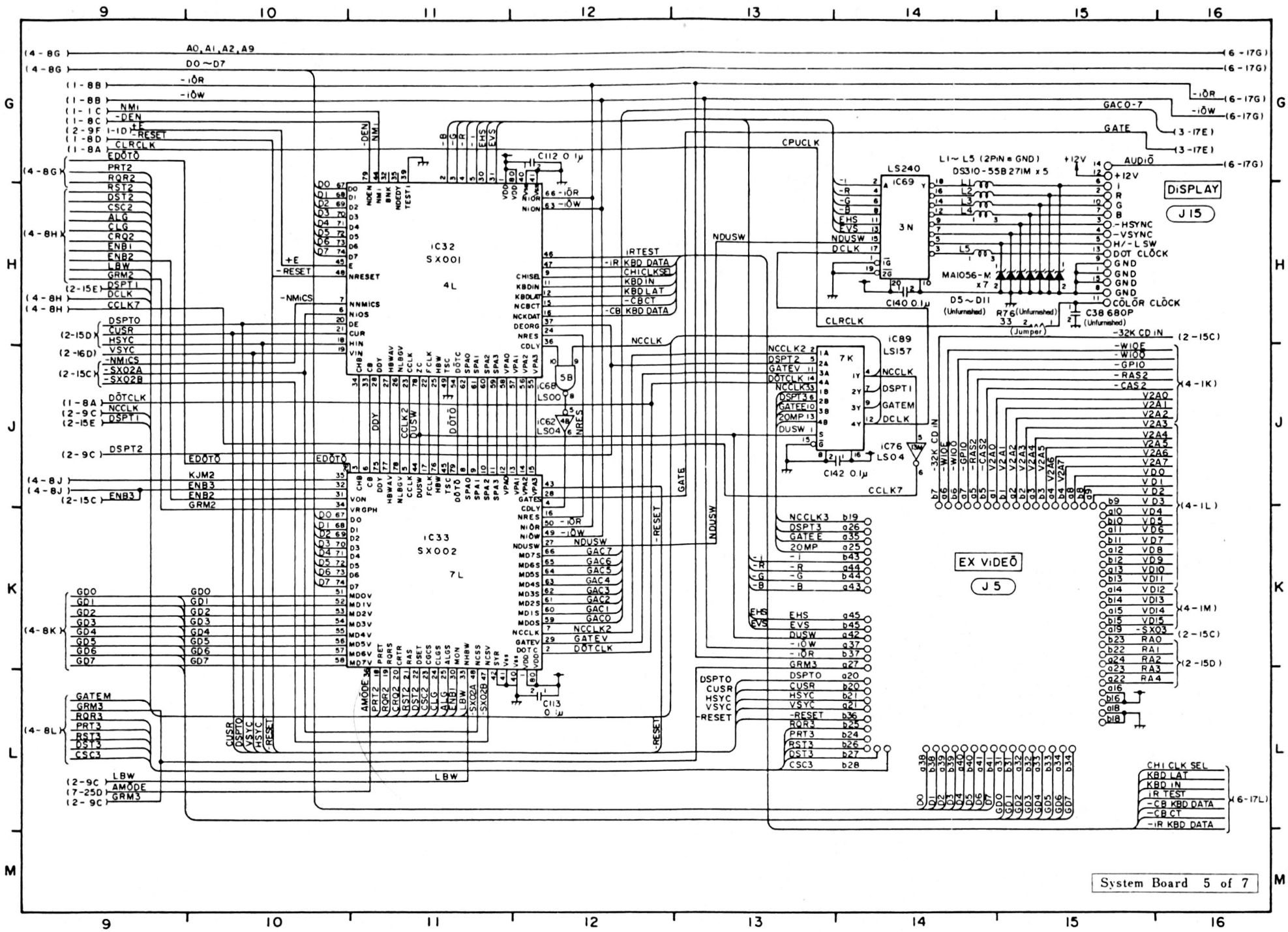
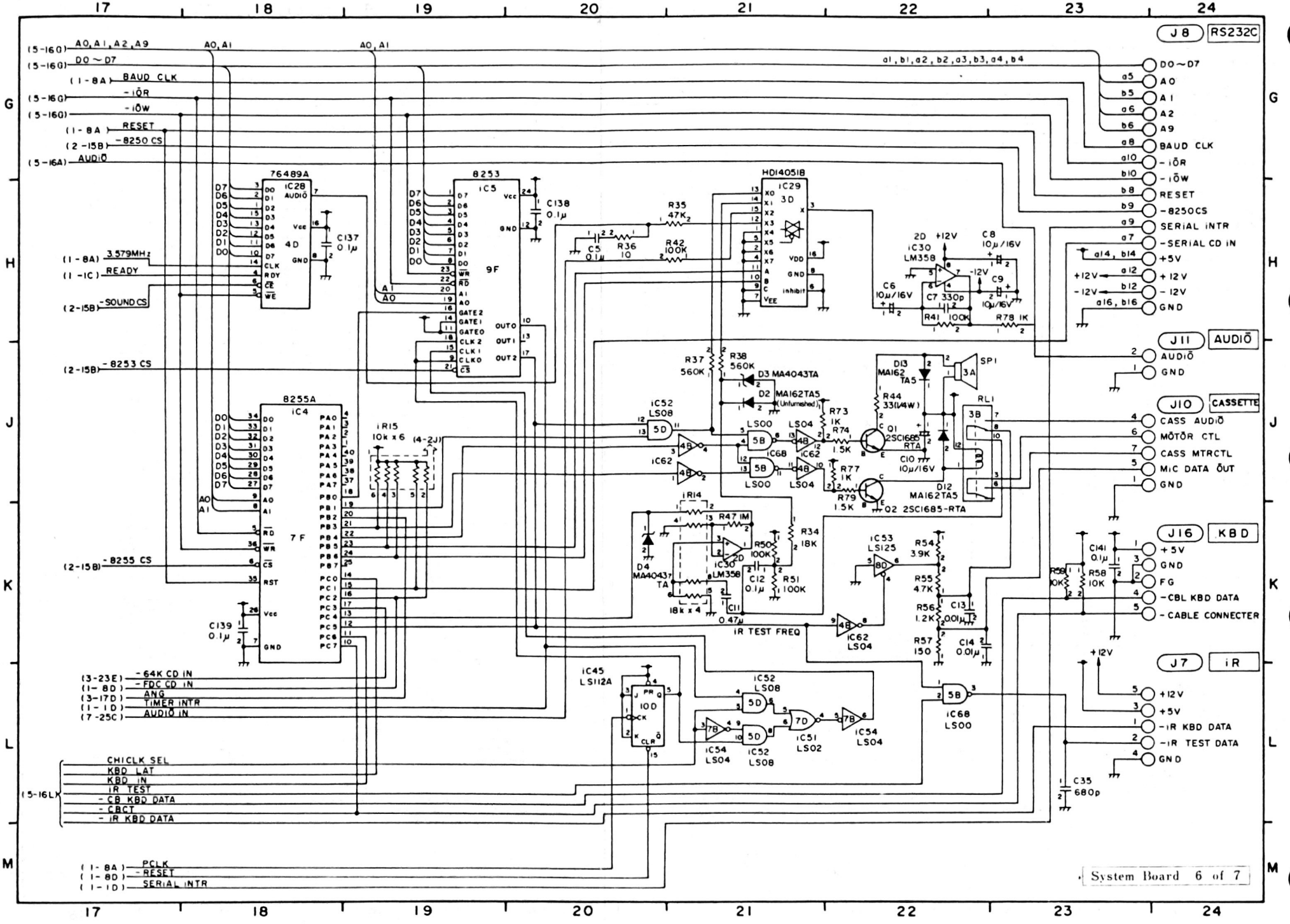


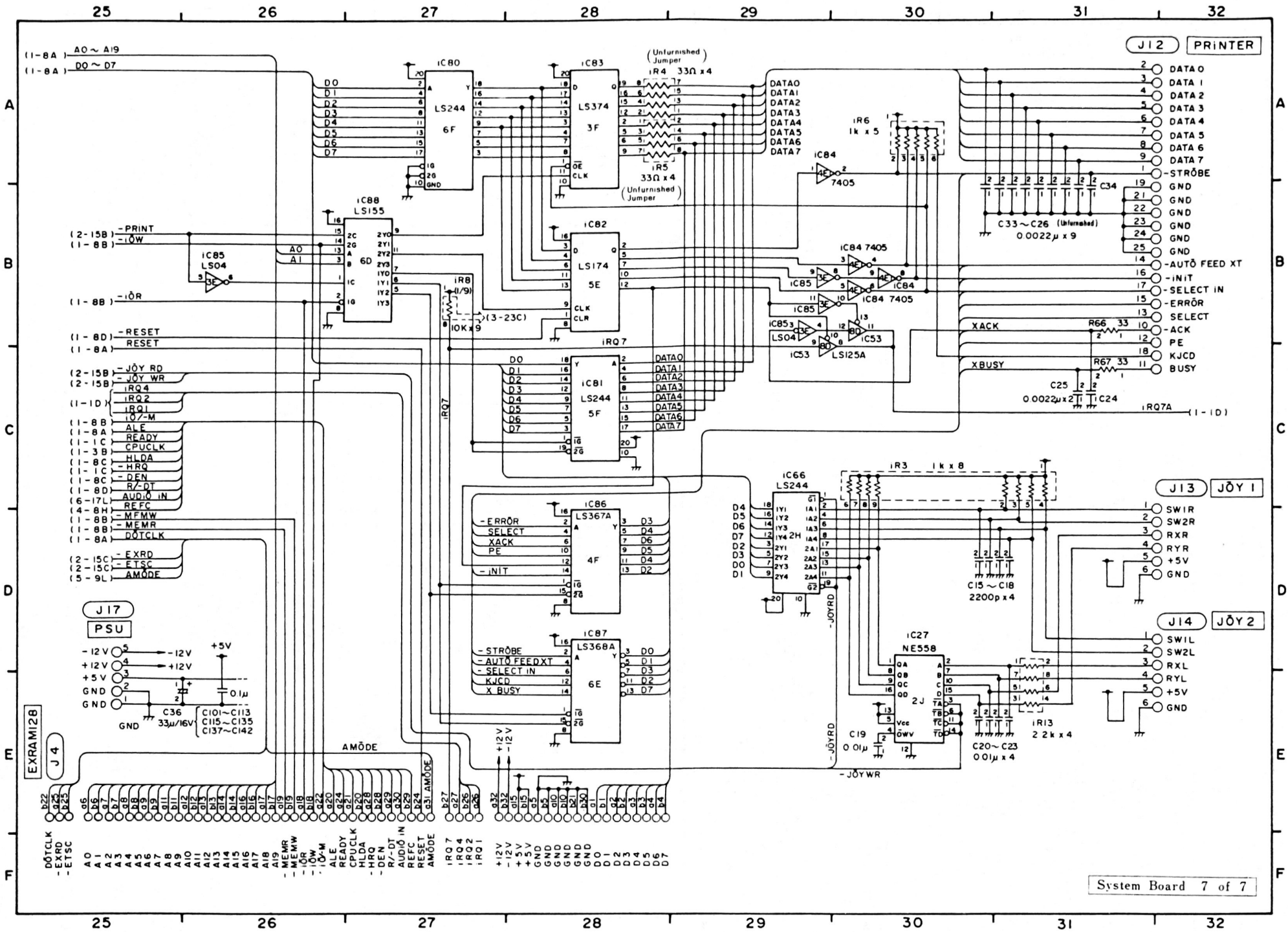
System Board 3 of 7

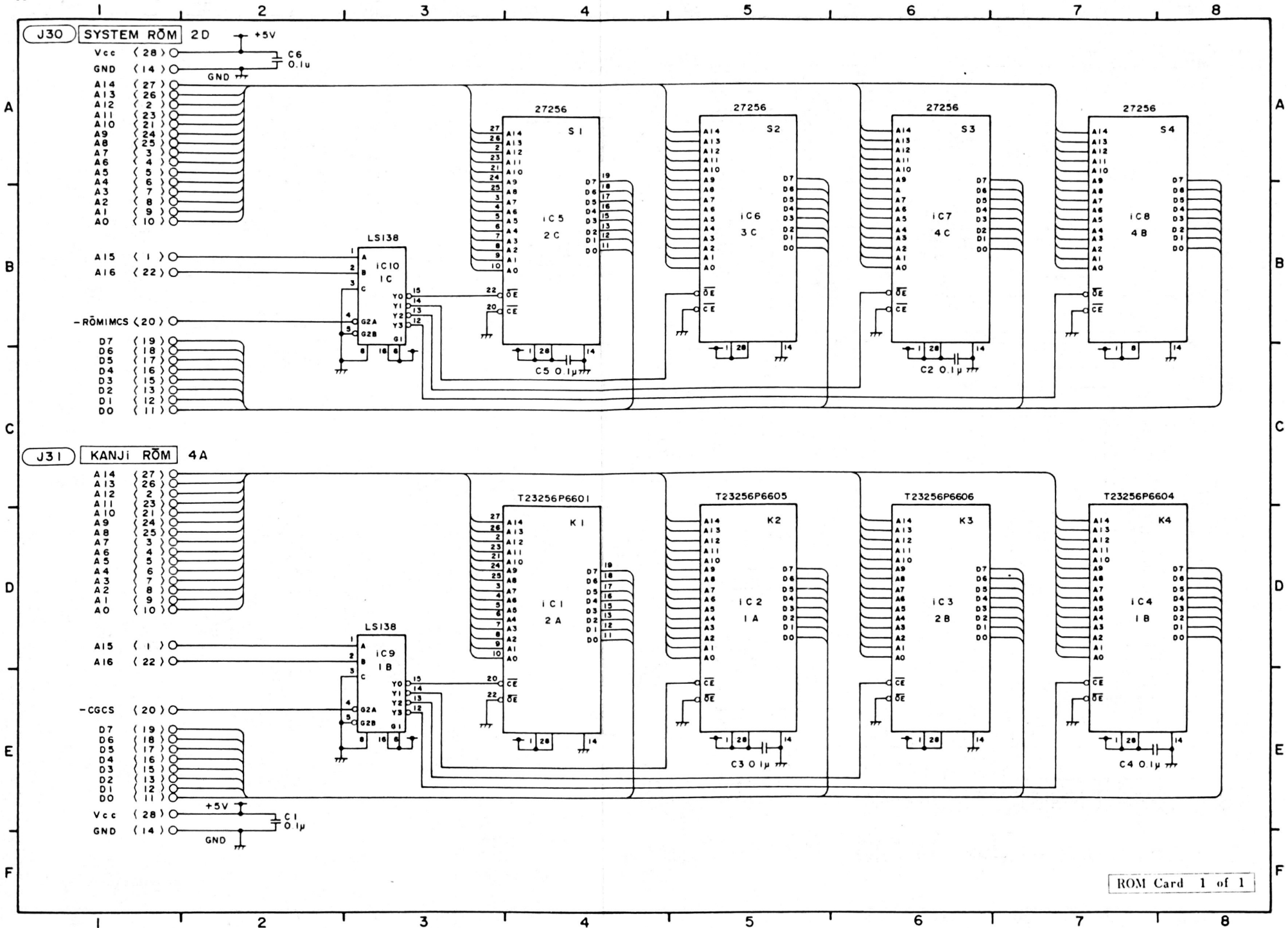




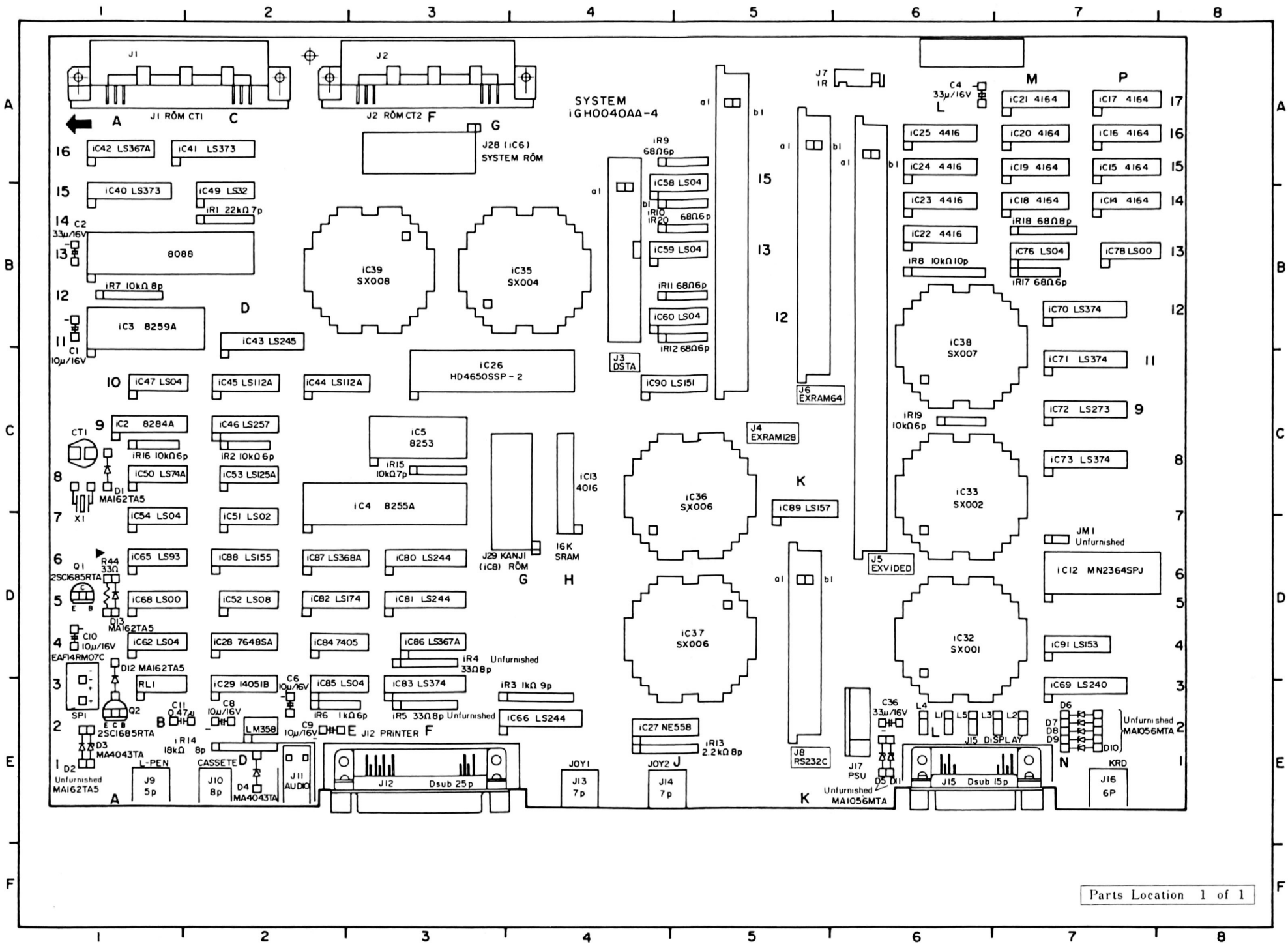
System Board 5 of 7



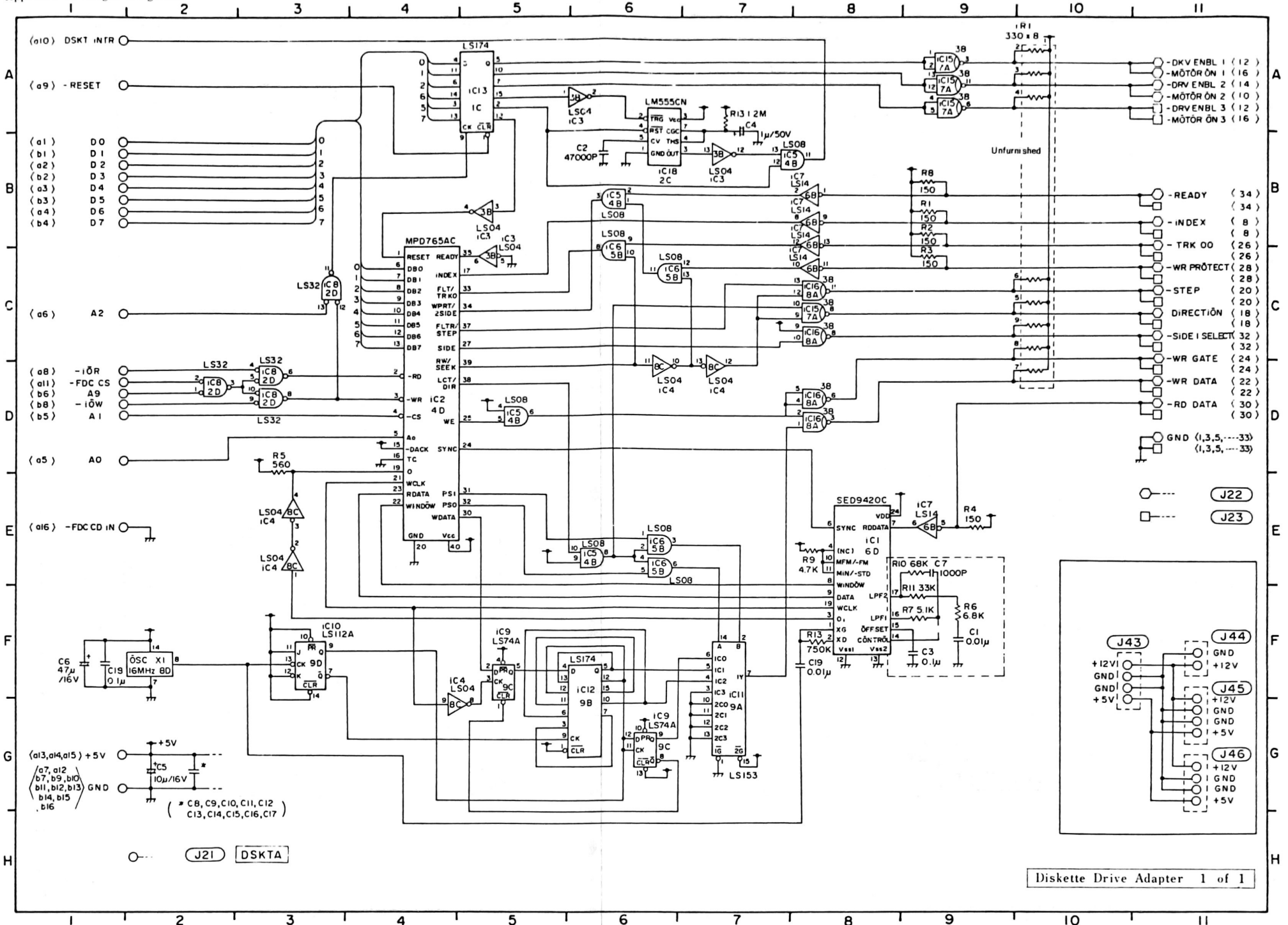


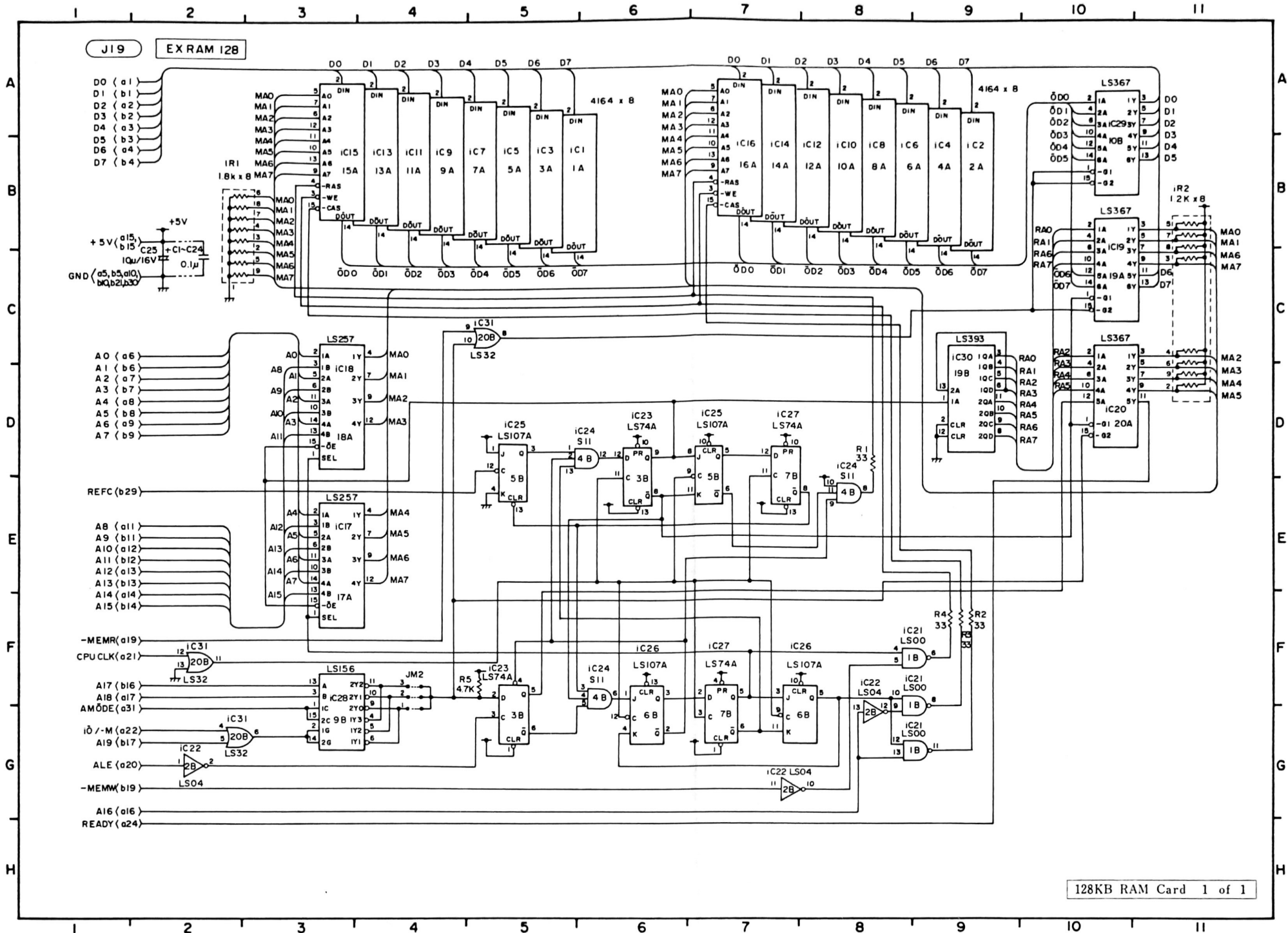




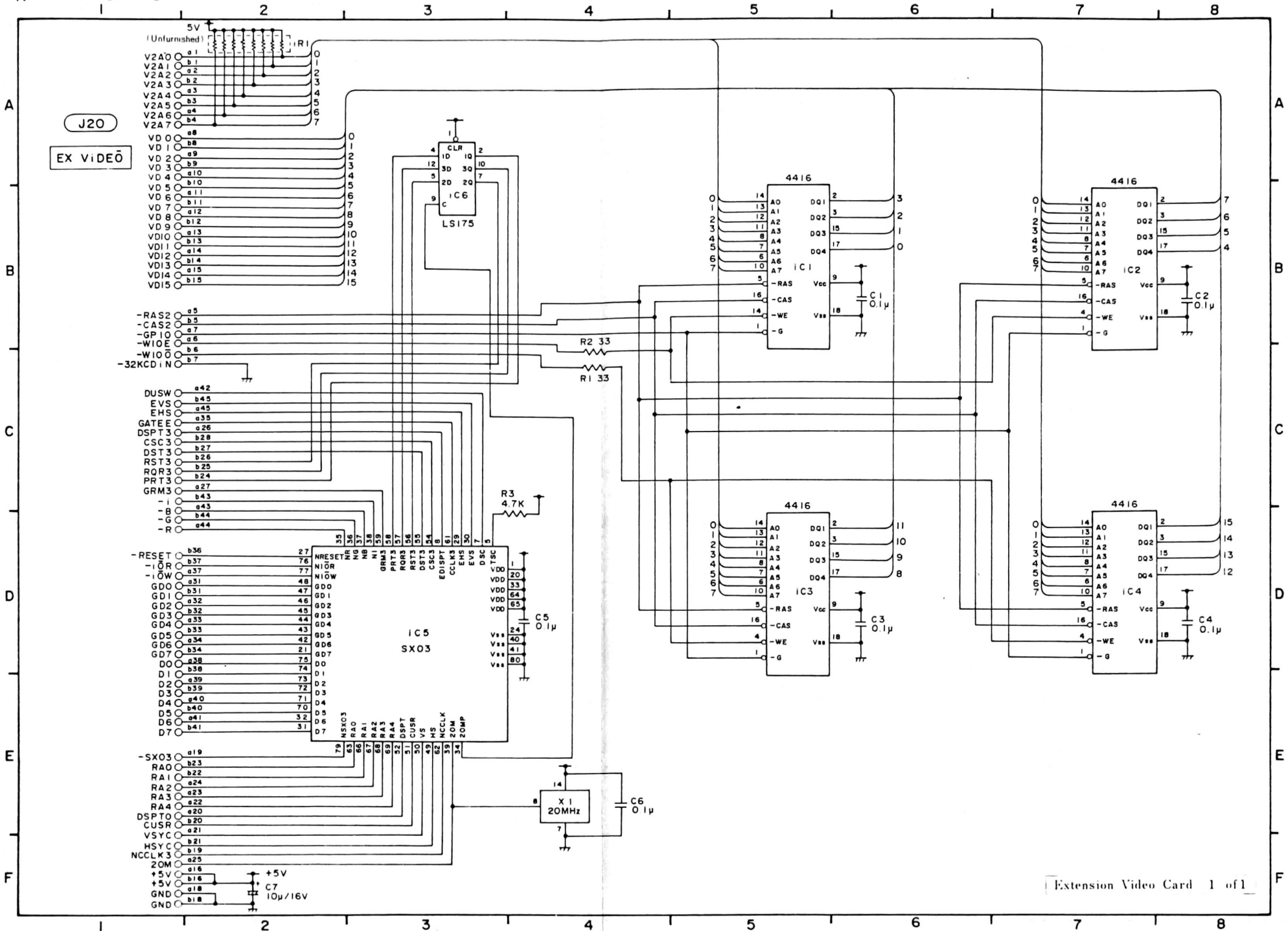


Parts Location 1 of 1

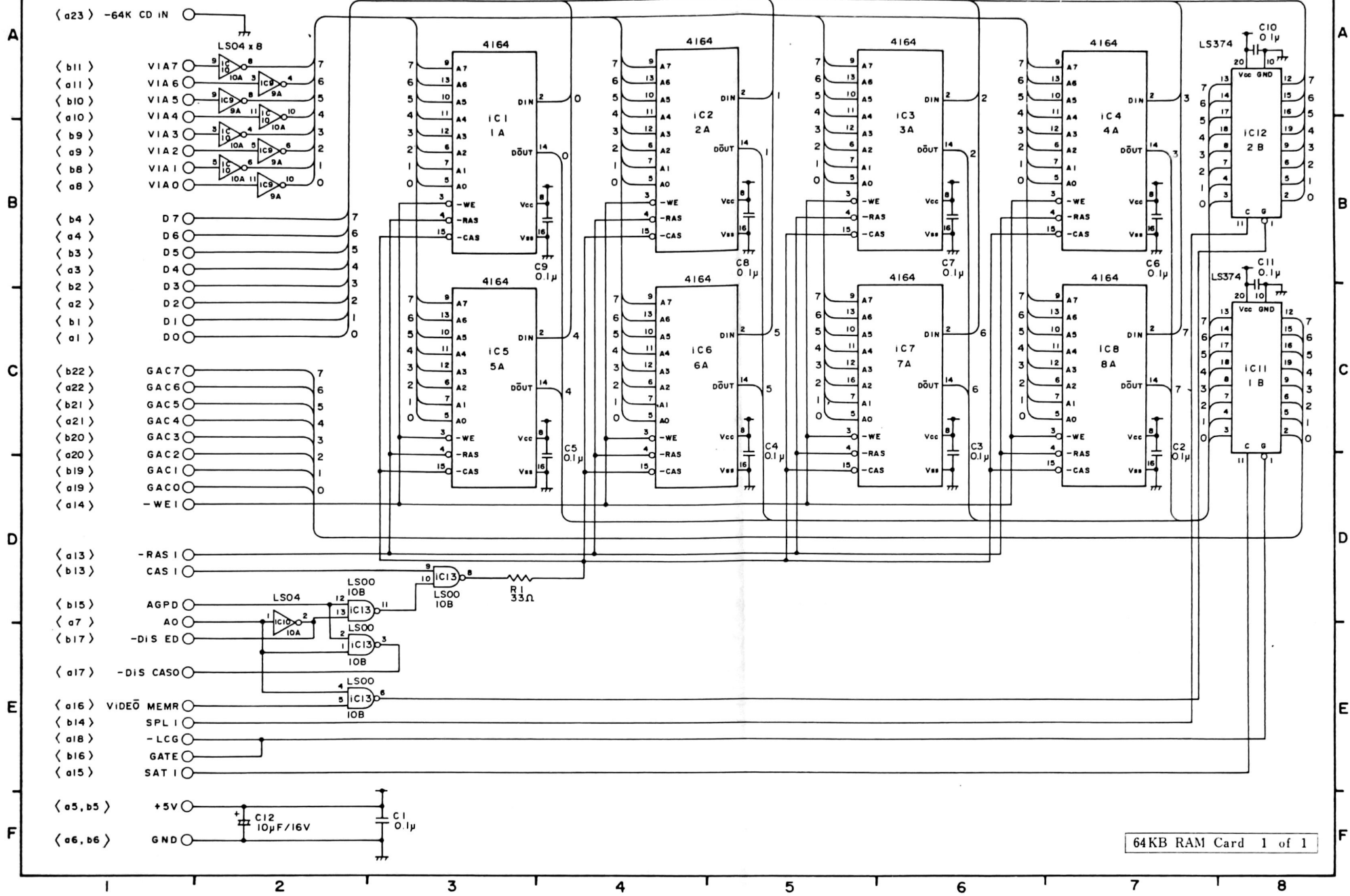


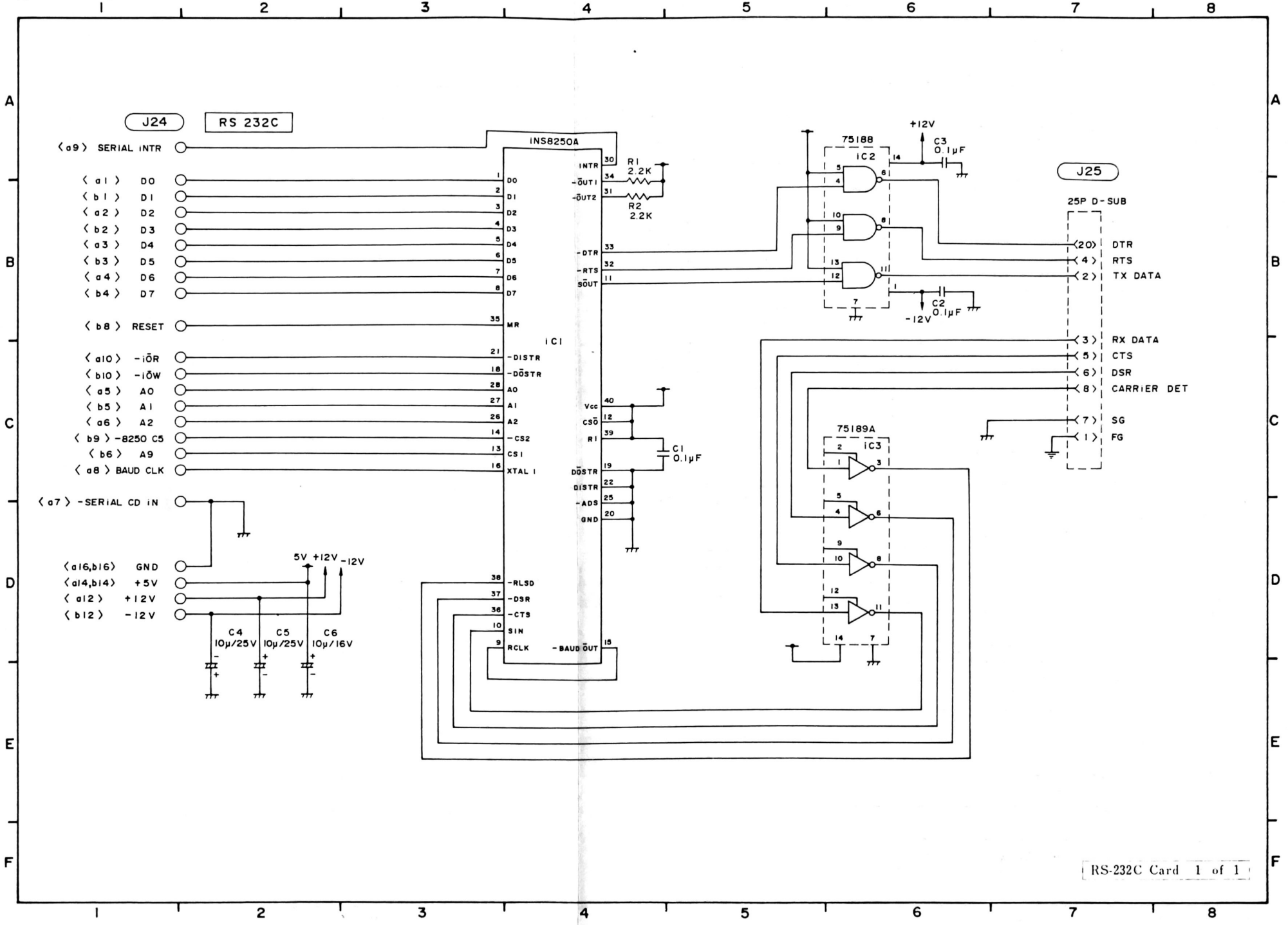


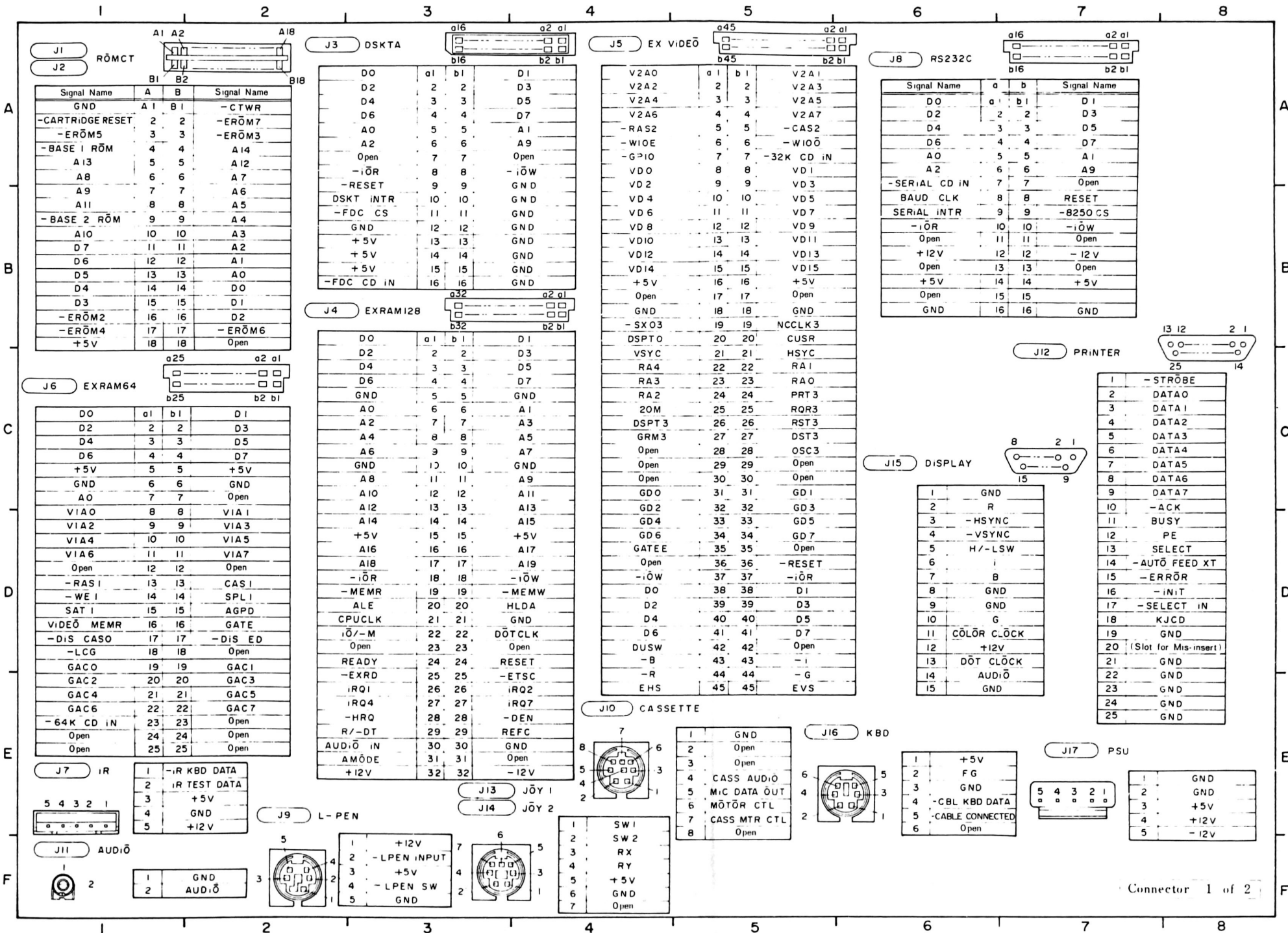
128KB RAM Card 1 of 1

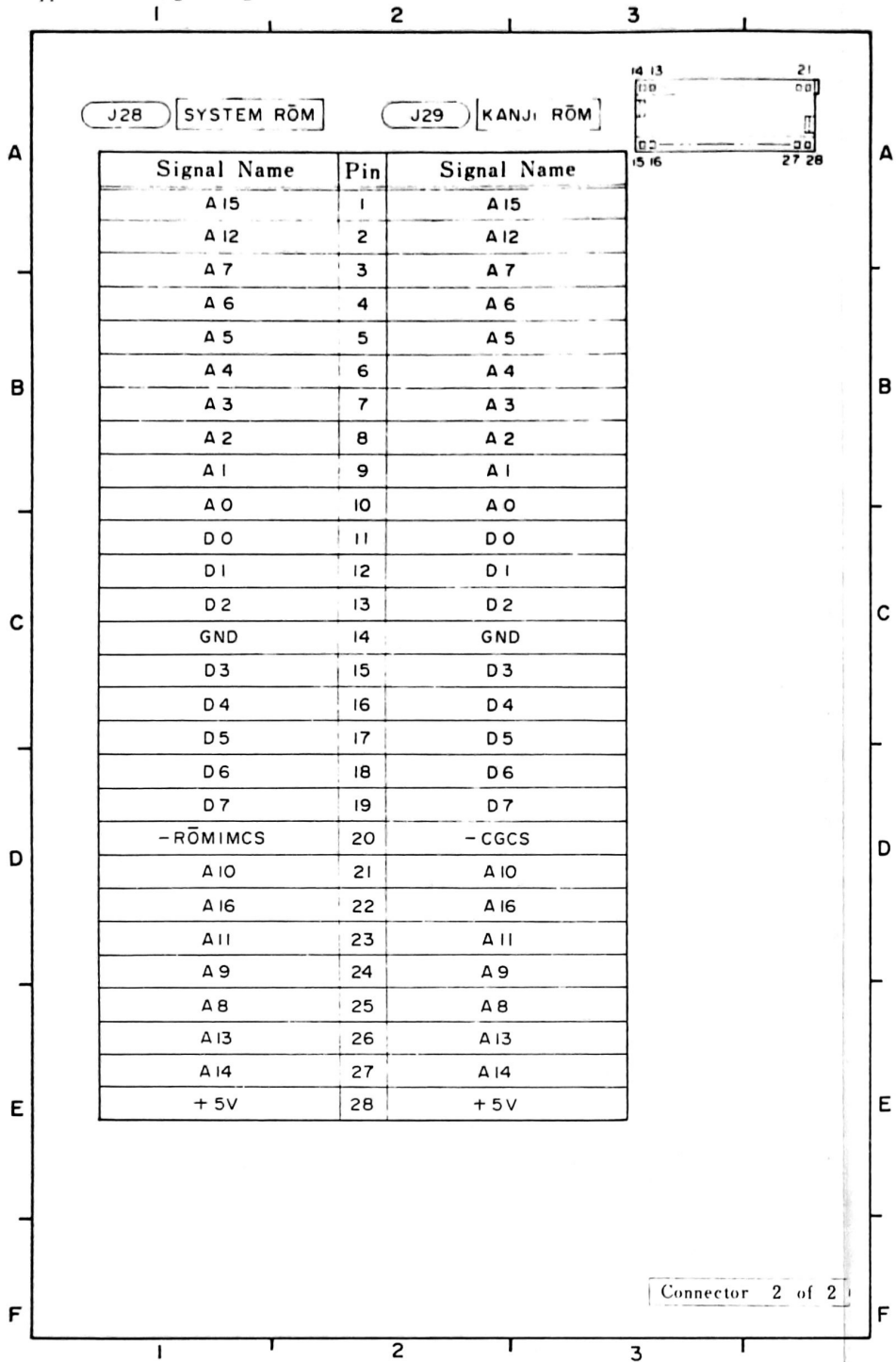


J18 EXTRAM 64









Connector 2 of 2