

CHANGES

2	818	4-65	4-65
3	7126	5-65	4-65
5	7867	8-65	5-65
6	8264	11-65	8-65

ISS

4-65
5-65
8-65
11-65

4-65
5-65
8-65
11-65

4-65
5-65
8-65
11-65

4-65
5-65
8-65
11-65

4-65
5-65
8-65
11-65

4-65
5-65
8-65
11-65

4-65
5-65
8-65
11-65

4-65
5-65
8-65
11-65

4-65
5-65
8-65
11-65

4-65
5-65
8-65
11-65

4-65
5-65
8-65
11-65

4-65
5-65
8-65
11-65

4-65
5-65
8-65
11-65

4-65
5-65
8-65
11-65

4-65
5-65
8-65
11-65

4-65
5-65
8-65
11-65

4-65
5-65
8-65
11-65

4-65
5-65
8-65
11-65

4-65
5-65
8-65
11-65

4-65
5-65
8-65
11-65

4-65
5-65
8-65
11-65

4-65
5-65
8-65
11-65

4-65
5-65
8-65
11-65

4-65
5-65
8-65
11-65

4-65
5-65
8-65
11-65

4-65
5-65
8-65
11-65

4-65
5-65
8-65
11-65

4-65
5-65
8-65
11-65

4-65
5-65
8-65
11-65

4-65
5-65
8-65
11-65

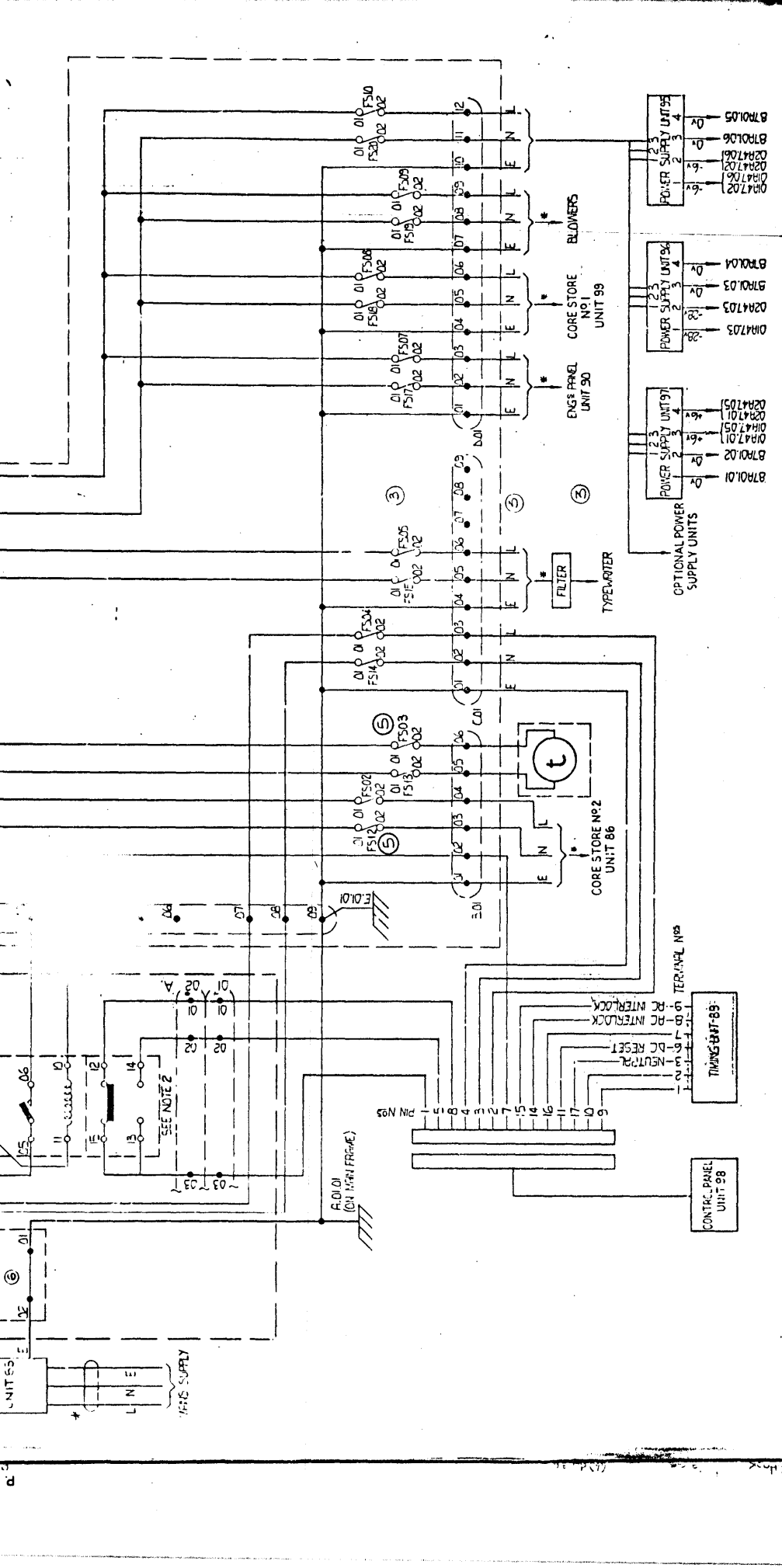
4-65
5-65
8-65
11-65

4-65
5-65
8-65
11-65

4-65
5-65
8-65
11-65

4-65
5-65
8-65
11-65

4-65
5-65
8-65
11-65



	CONTRACTOR & DISTRIBUTOR PANELS CIRCUIT DIAG	ASSEMBLY	887969 / 6	ISSUE	SHEET	2	PROV. STD	790110	DRAWN TO	ISSUE	ISSUE NUMBERS OF OTHER SHEETS AT THE TIME OF ISSUING THIS SHEET																			
											SHEET	1	2	3	4	5	6	7	8	9	10	11	12	13	14	15	16	17	18	19