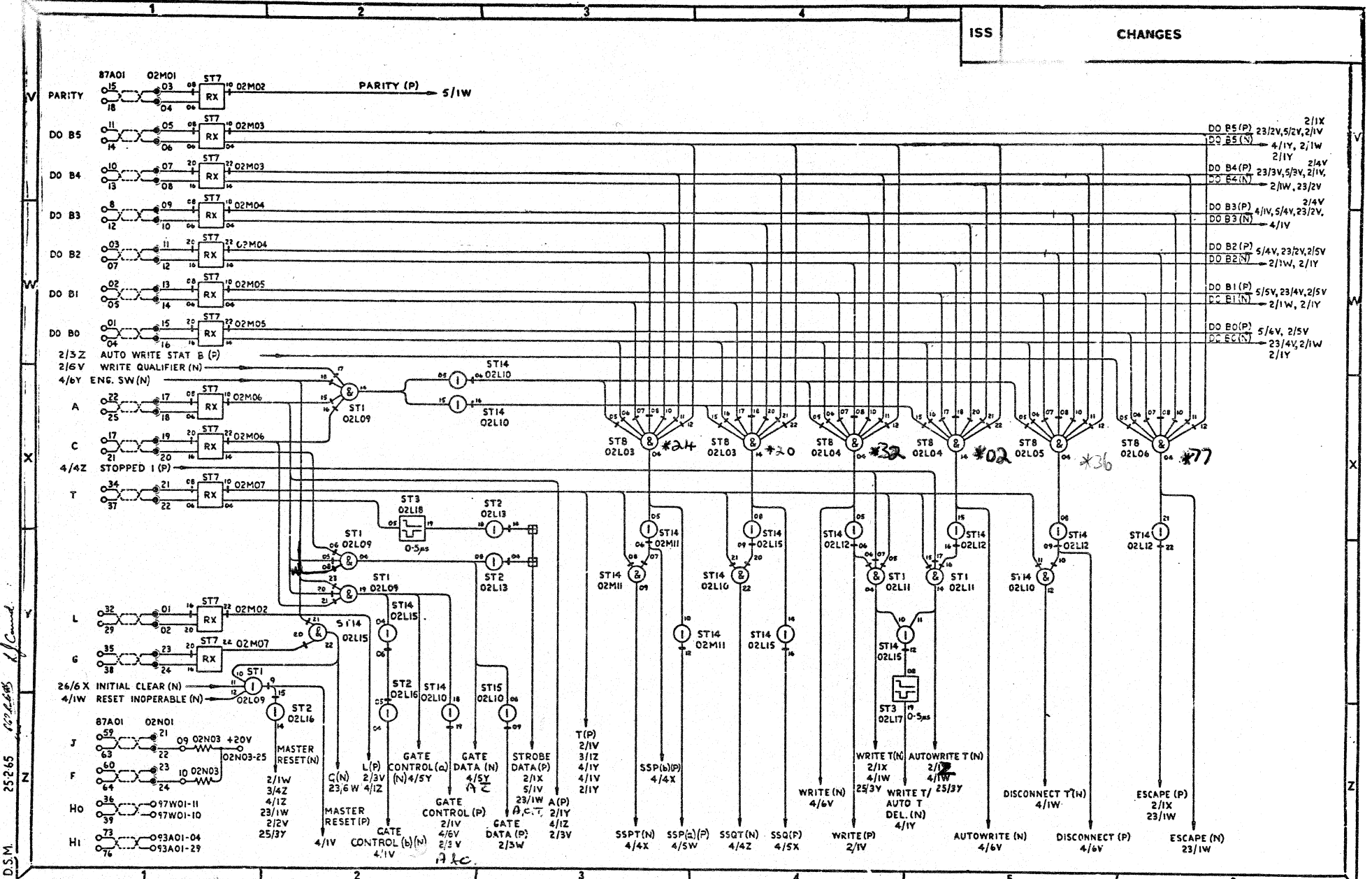


LOGIC DIAGRAMS
for the
TYPE 1933 PRINTER

November 1965

ISS

CHANGES



D.S.M. 25265 1022485 d/cand



INSTRUCTION DECODER

801631 / 1

DIAGRAM

ISSUE

SHEET

DRAWN TO
PROV. STD
7902101

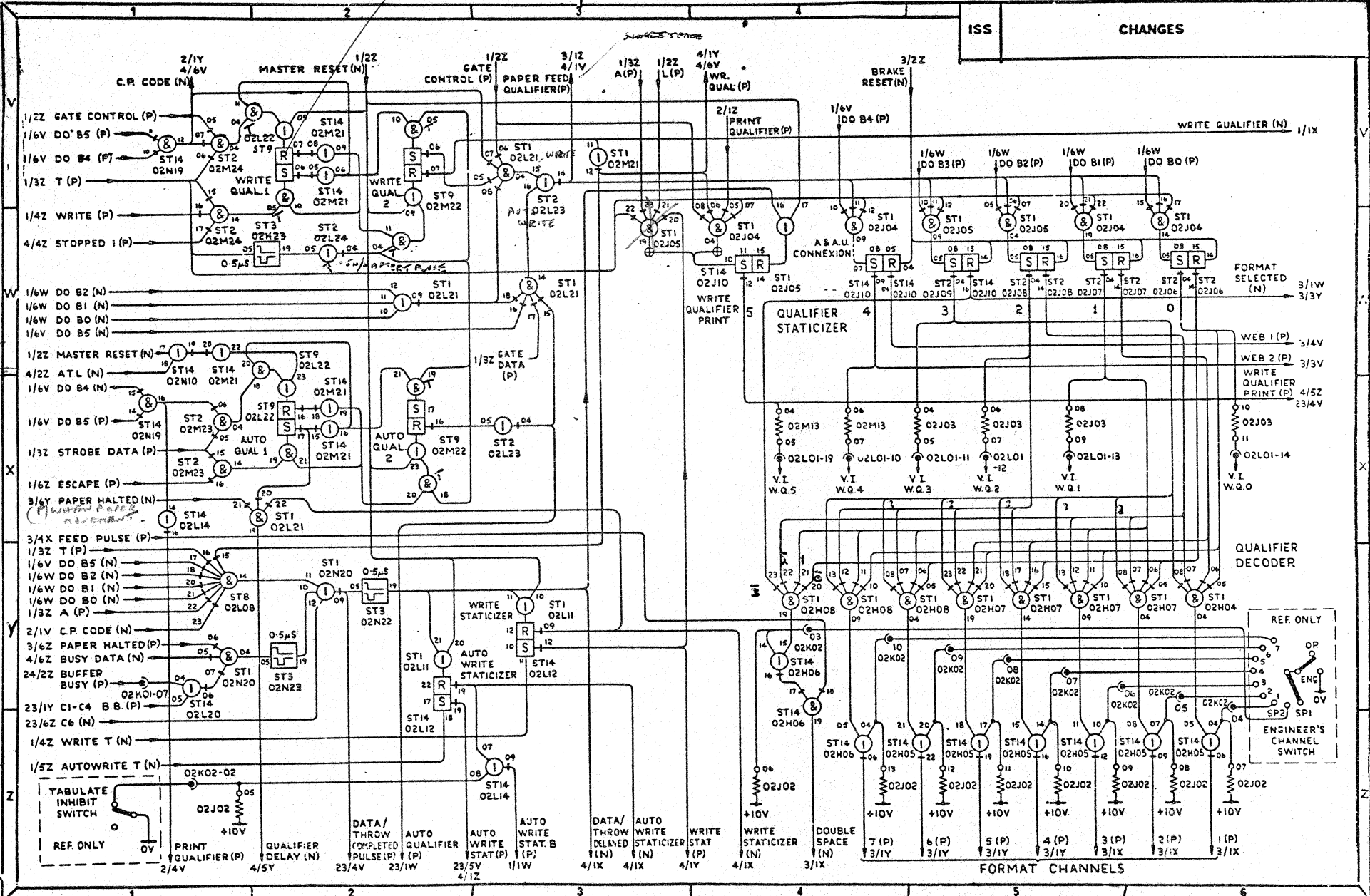
ISSUE

SHEET 1 2 3 4 5 6 7 8 9 10 11 12 13 14 15 16 17 18 19 20 21 22 23 24 25 26 27 28 29 30

ISSUE NUMBERS OF OTHER SHEETS AT THE TIME OF ISSUING THIS SHEET

PINS HRS
TRIG INPUTS
ST9

ISS CHANGES



R.S.S.

28565



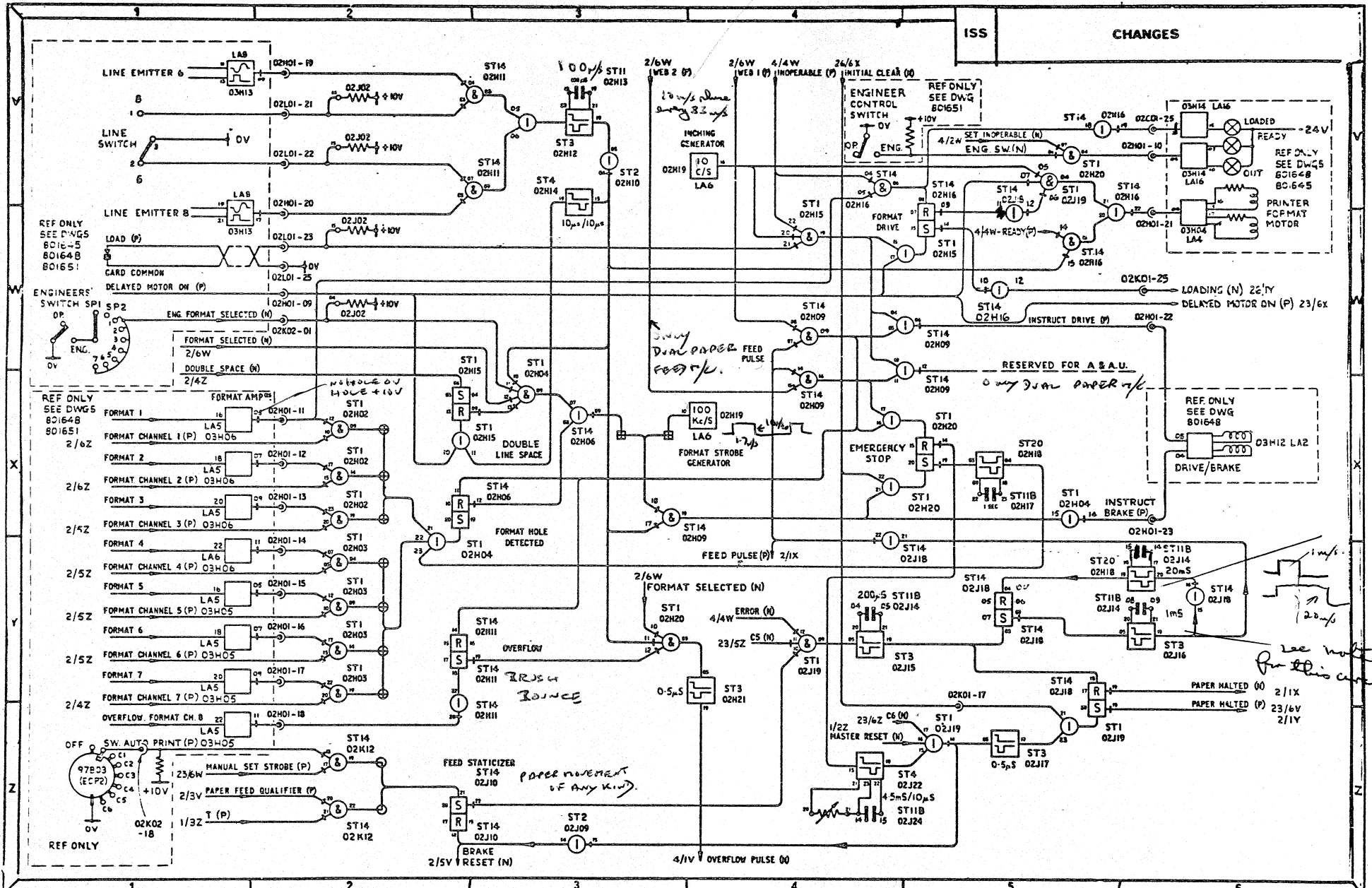
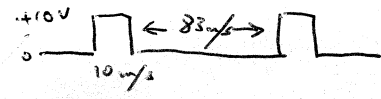
QUALIFIER CONTROL

801631 /

2
ISSUE SHEET

DRAWN TO
PROV. STD
7902101

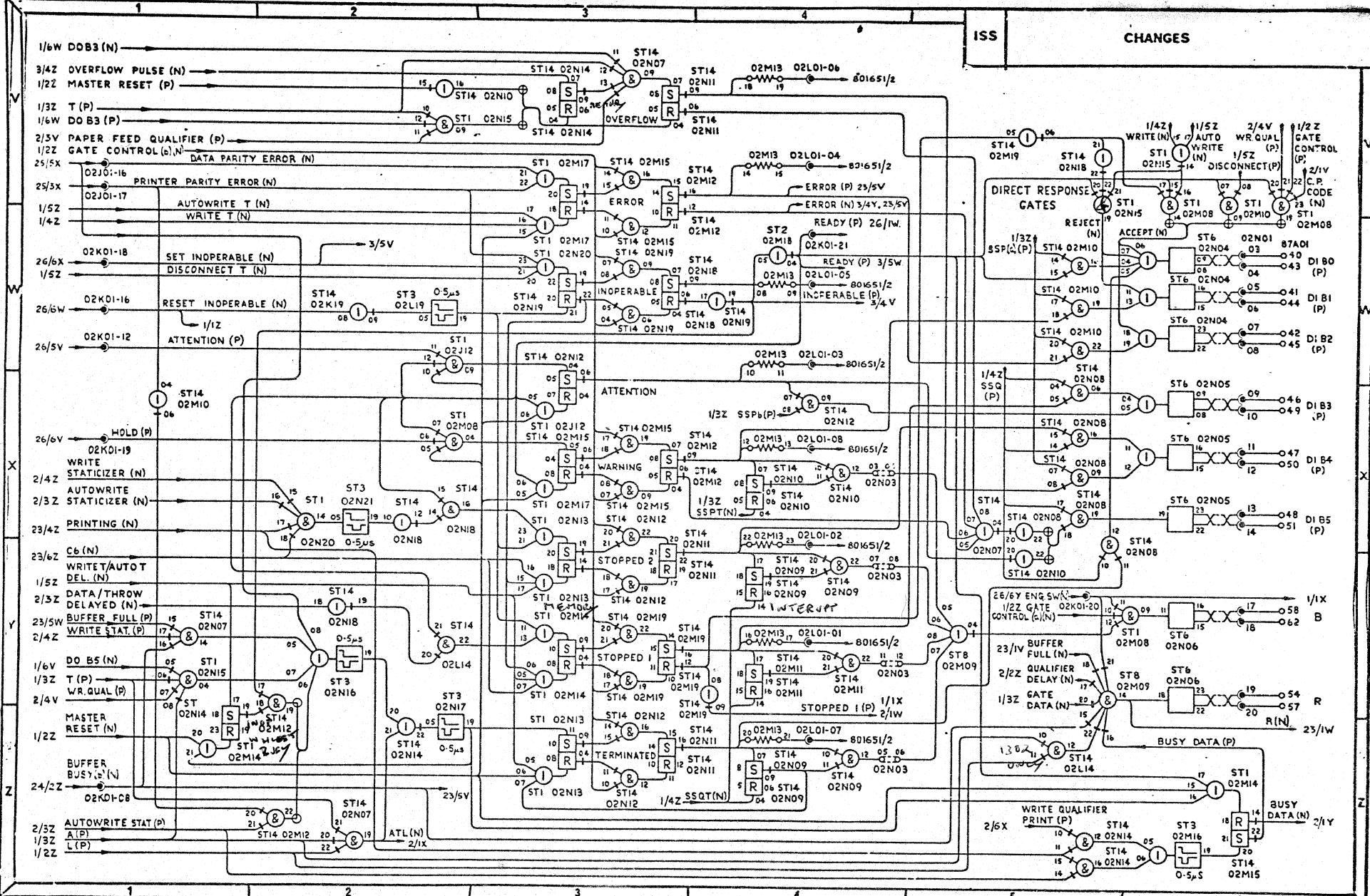
ISSUE																														
SHEET	1	2	3	4	5	6	7	8	9	10	11	12	13	14	15	16	17	18	19	20	21	22	23	24	25	26	27	28	29	30
ISSUE NUMBERS OF OTHER SHEETS AT THE TIME OF ISSUING THIS SHEET																														



	PAPER MOVEMENT CONTROL DIAGRAM	801631 /	3 ISSUE SHEET	DRAWN TO PROV. STD 7902101	ISSUE SHEET																			
					ISSUE NUMBERS OF OTHER SHEETS AT THE TIME OF ISSUING THIS SHEET																			

ISS

CHANGES



3-5-65



STATUS & DIRECT
RESPONSES

801631 /
DIAGRAM

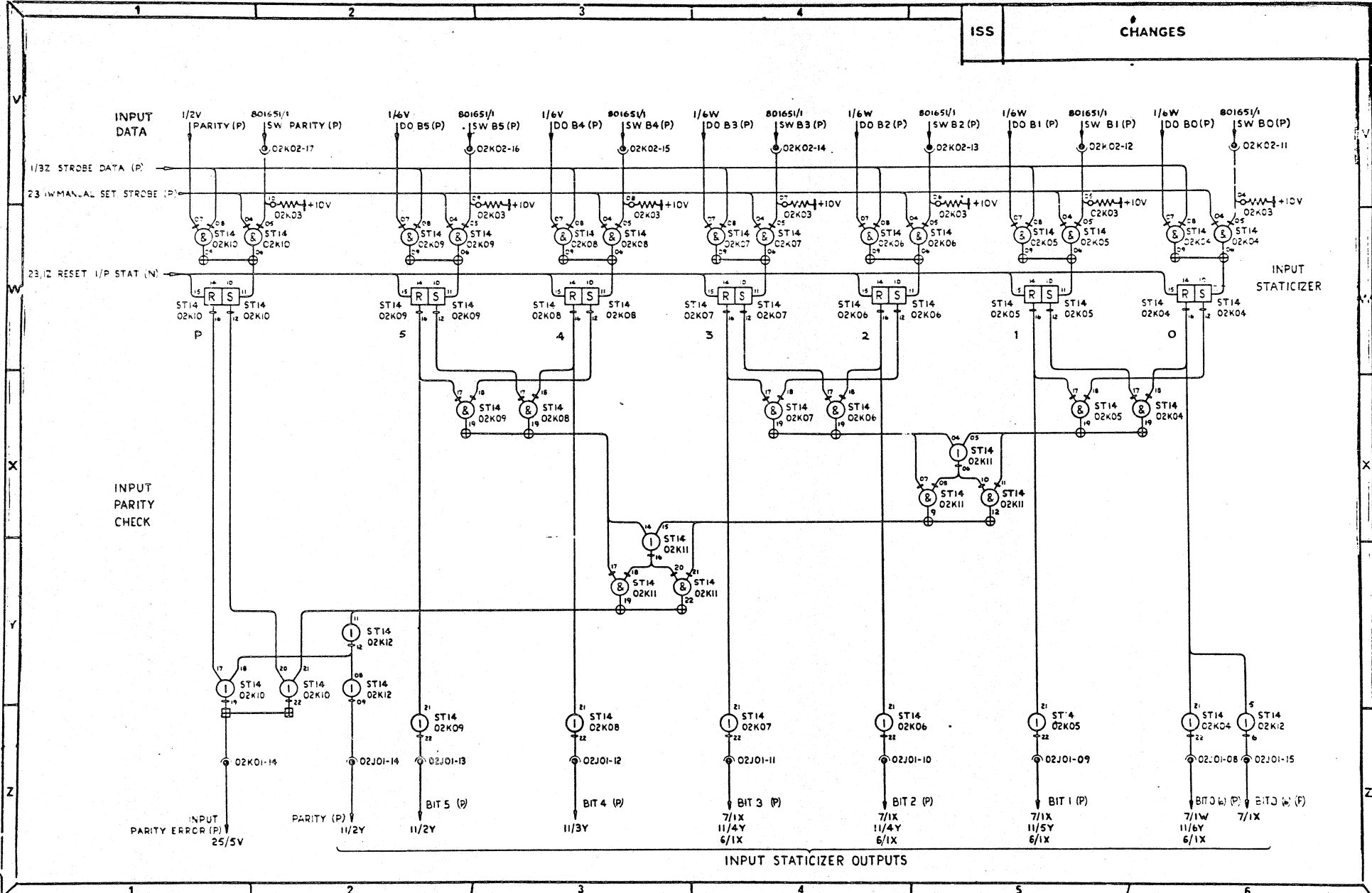
4
ISSUE SHEET

DRAWN TO
PROV. STD
7902101

ISSUE																														
SHEET	1	2	3	4	5	6	7	8	9	10	11	12	13	14	15	16	17	18	19	20	21	22	23	24	25	26	27	28	29	30
ISSUE NUMBERS OF OTHER SHEETS AT THE TIME OF ISSUING THIS SHEET																														

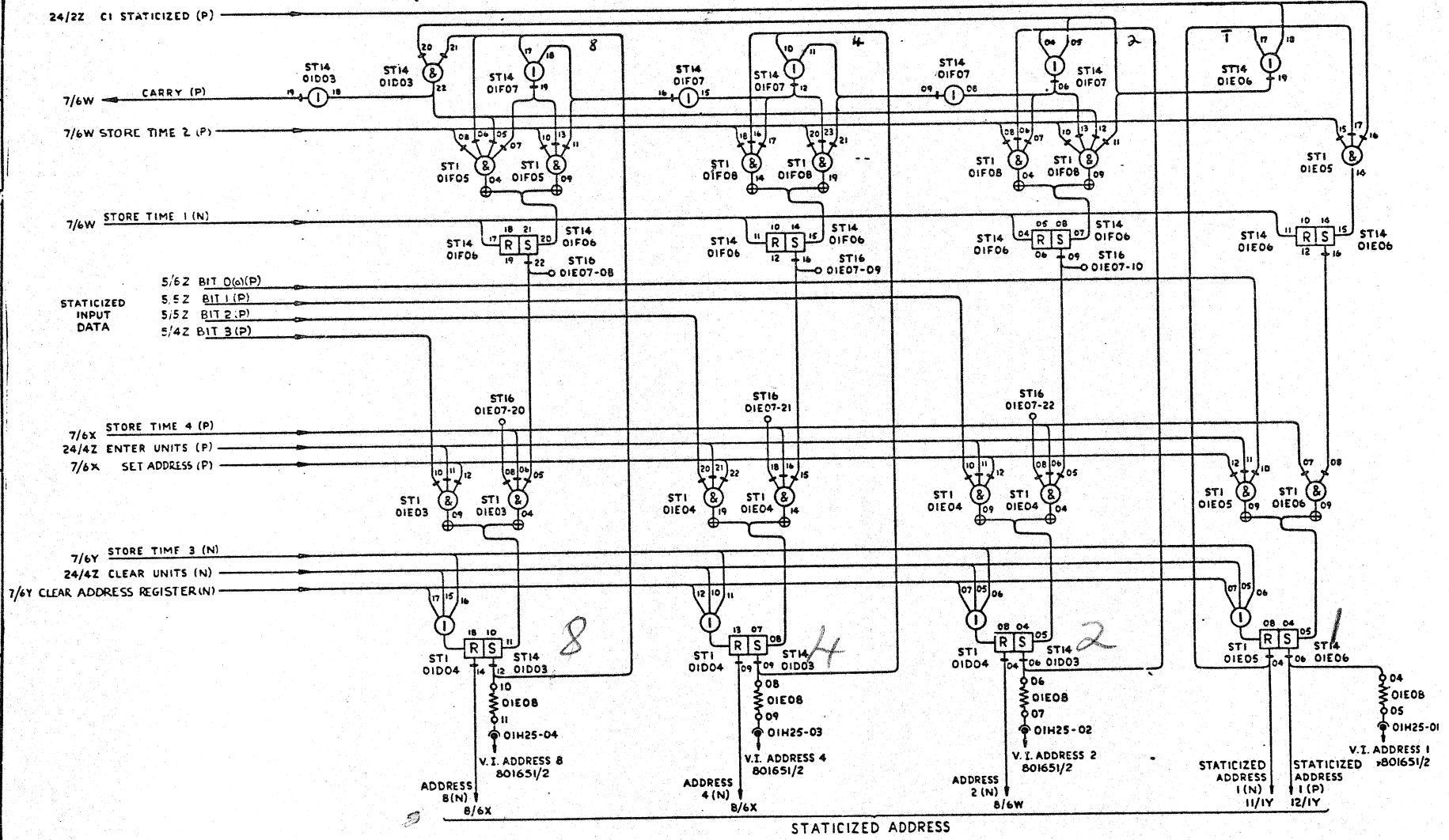
ISS

CHANGES



ISS

CHANGES



10.5.65
D.S.M.



ADDRESS REGISTER
UNITS

801631 /

6

DRAWN TO
PROV. STD
7902101

ISSUE

SHEET	1	2	3	4	5	6	7	8	9	10	11	12	13	14	15	16	17	18	19	20	21	22	23	24	25	26	27	28	29	30
-------	---	---	---	---	---	---	---	---	---	----	----	----	----	----	----	----	----	----	----	----	----	----	----	----	----	----	----	----	----	----

ISSUE NUMBERS OF OTHER SHEETS AT THE TIME OF ISSUING THIS SHEET

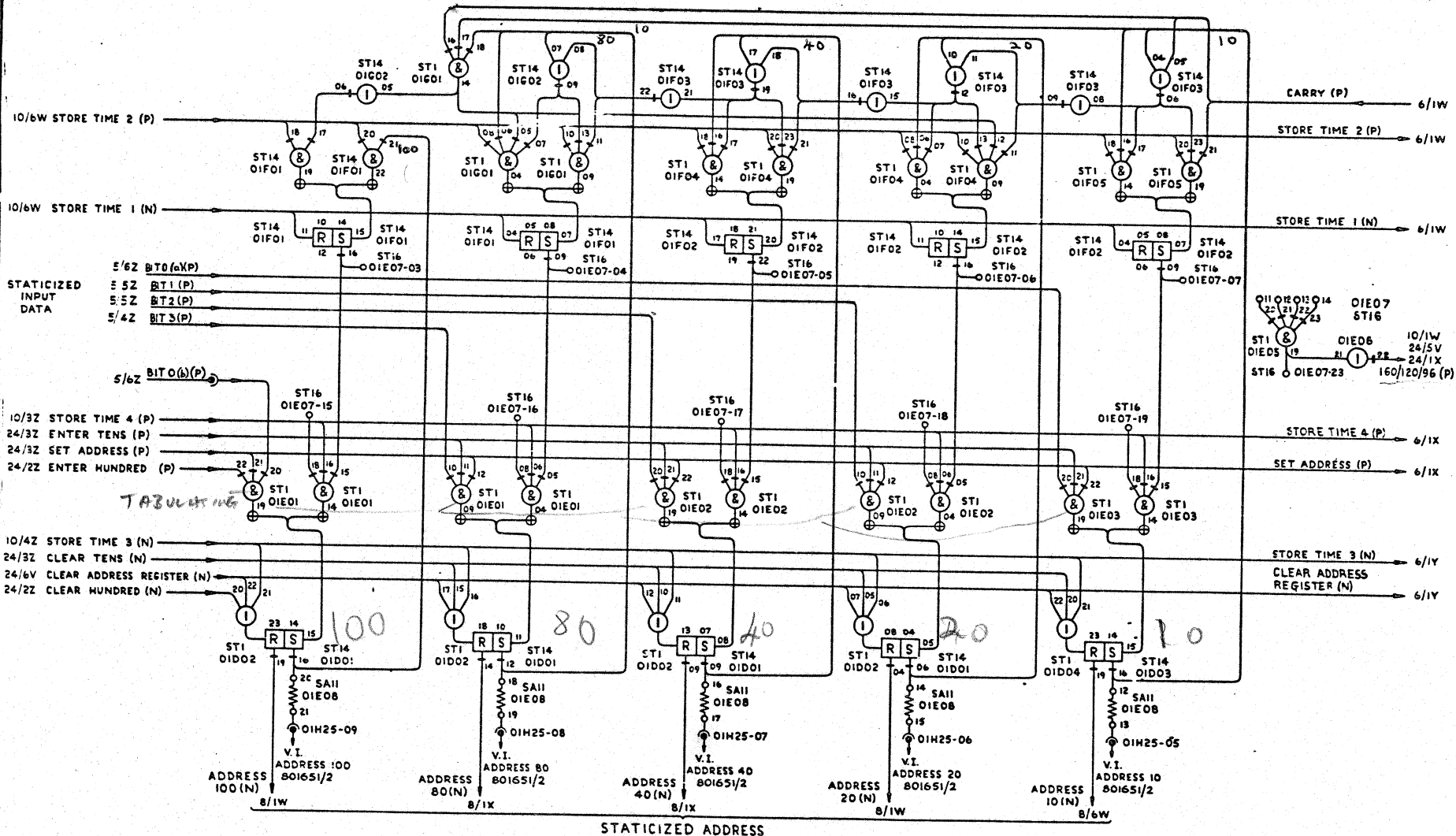
DIAGRAM

ISSUE

SHEET

ISS

CHANGES



STATICIZED ADDRESS



ADDRESS REGISTER
TENS, HUNDRED

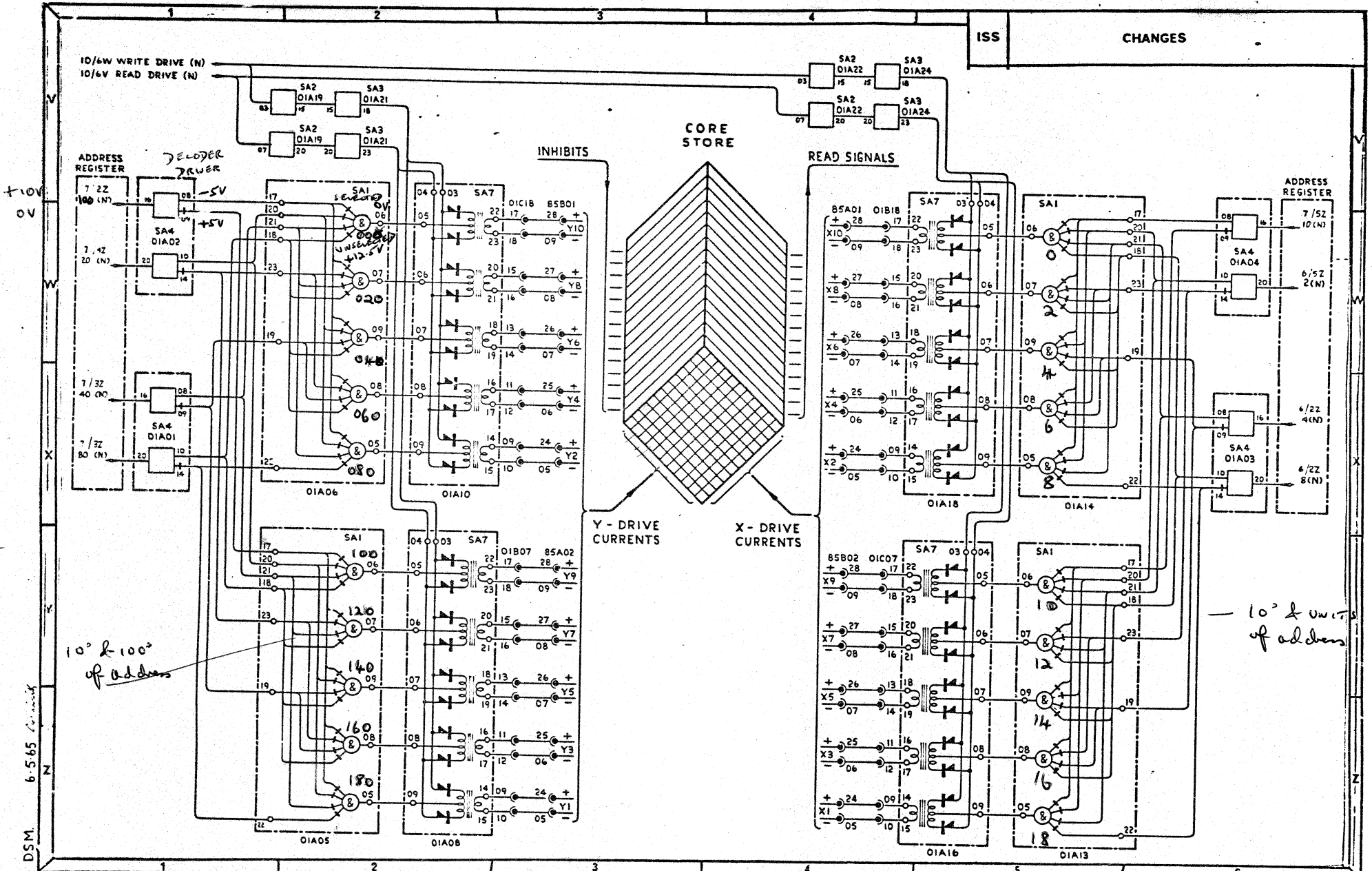
801631 / 7

DRAWN TO
PROV. STD
7902101

ISSUE																														
SHEET	1	2	3	4	5	6	7	8	9	10	11	12	13	14	15	16	17	18	19	20	21	22	23	24	25	26	27	28	29	30
ISSUE NUMBERS OF OTHER SHEETS AT THE TIME OF ISSUING THIS SHEET																														

DIAGRAM

ISSUE SHEET



STORE ADDRESS CIRCUITS

801631 /

8

DRAWN TO PROV. STD 7902181

ISSUE		SHEET																													
1	2	3	4	5	6	7	8	9	10	11	12	13	14	15	16	17	18	19	20	21	22	23	24	25	26	27	28	29	30		

ISSUE NUMBERS OF OTHER SHEETS AT THE TIME OF ISSUING THIS SHEET

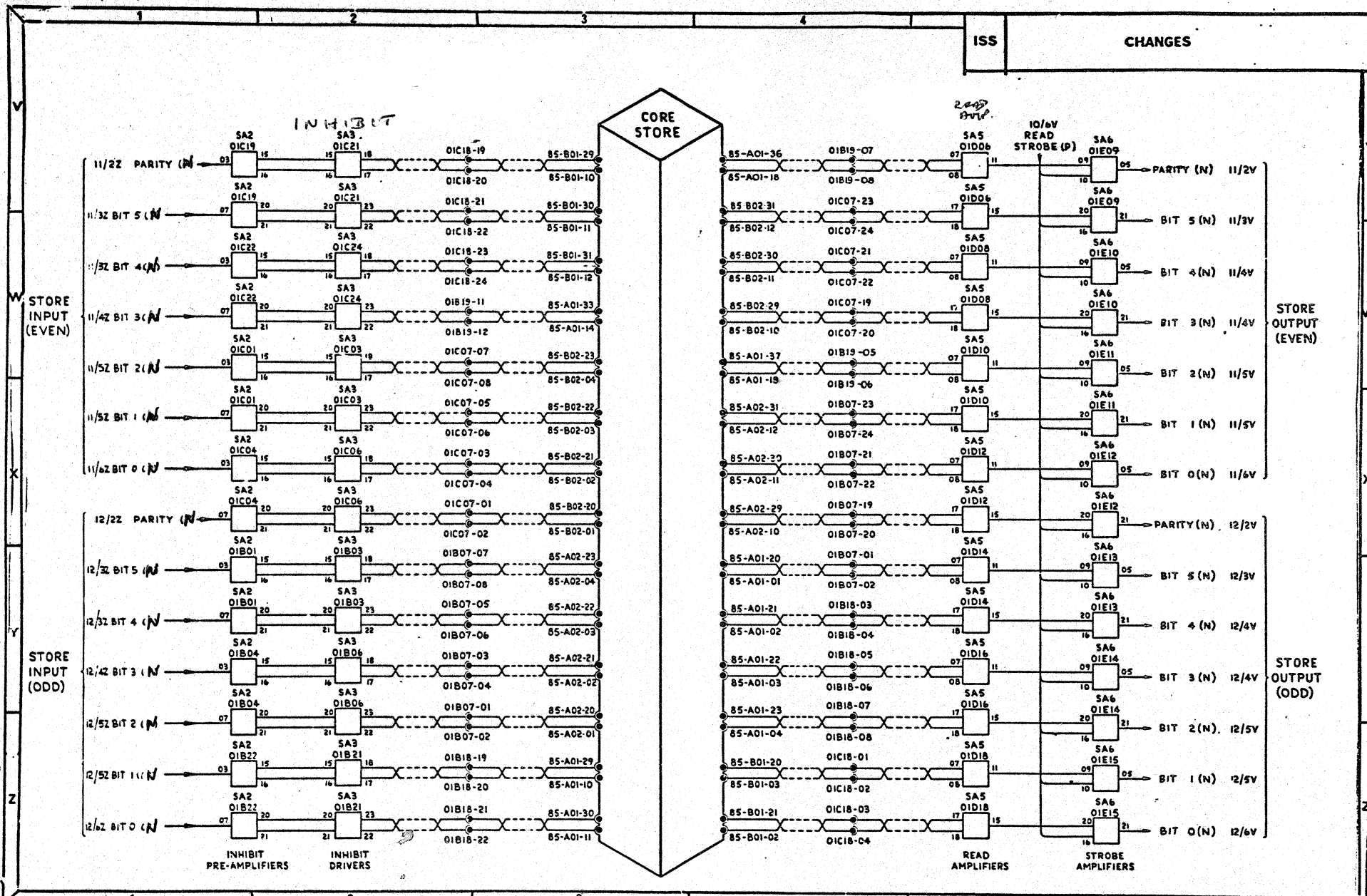
DIAGRAM

ISSUE

SHEET

ISS

CHANGES



INHIBIT

CORE STORE

2007 REV.

10/6V READ STROBE (P)

STORE INPUT (EVEN)

STORE INPUT (ODD)

STORE OUTPUT (EVEN)

STORE OUTPUT (ODD)

INHIBIT DRIVERS & READ AMPLIFIERS

801631 /

9

DRAWN TO PROV. STD 7902101

ISSUE

SHEET	1	2	3	4	5	6	7	8	9	10	11	12	13	14	15	16	17	18	19	20	21	22	23	24	25	26	27	28	29	30
-------	---	---	---	---	---	---	---	---	---	----	----	----	----	----	----	----	----	----	----	----	----	----	----	----	----	----	----	----	----	----

ISSUE NUMBERS OF OTHER SHEETS AT THE TIME OF ISSUING THIS SHEET

DIAGRAM

ISSUE

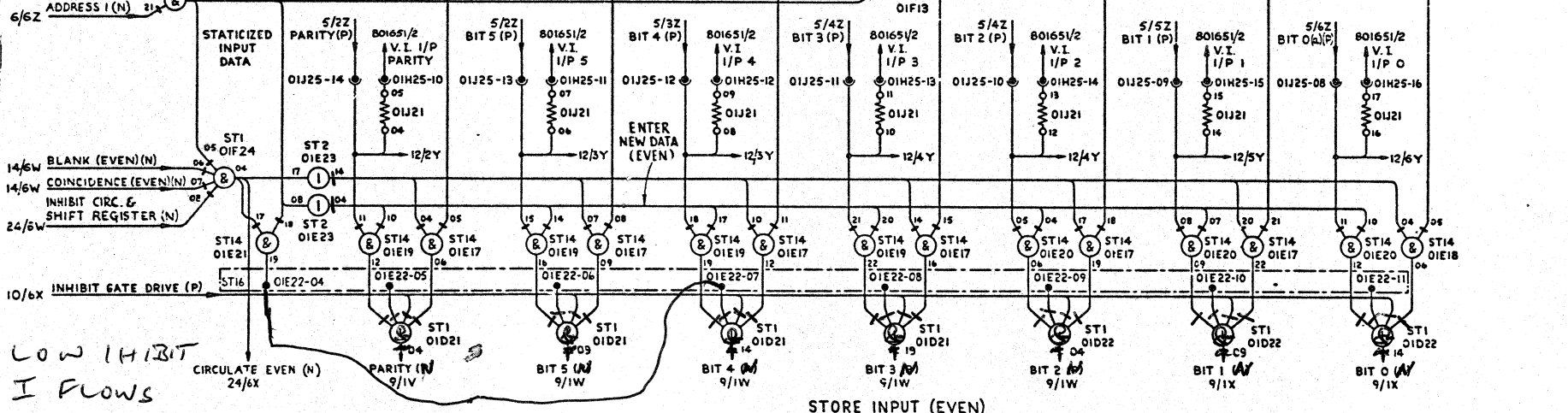
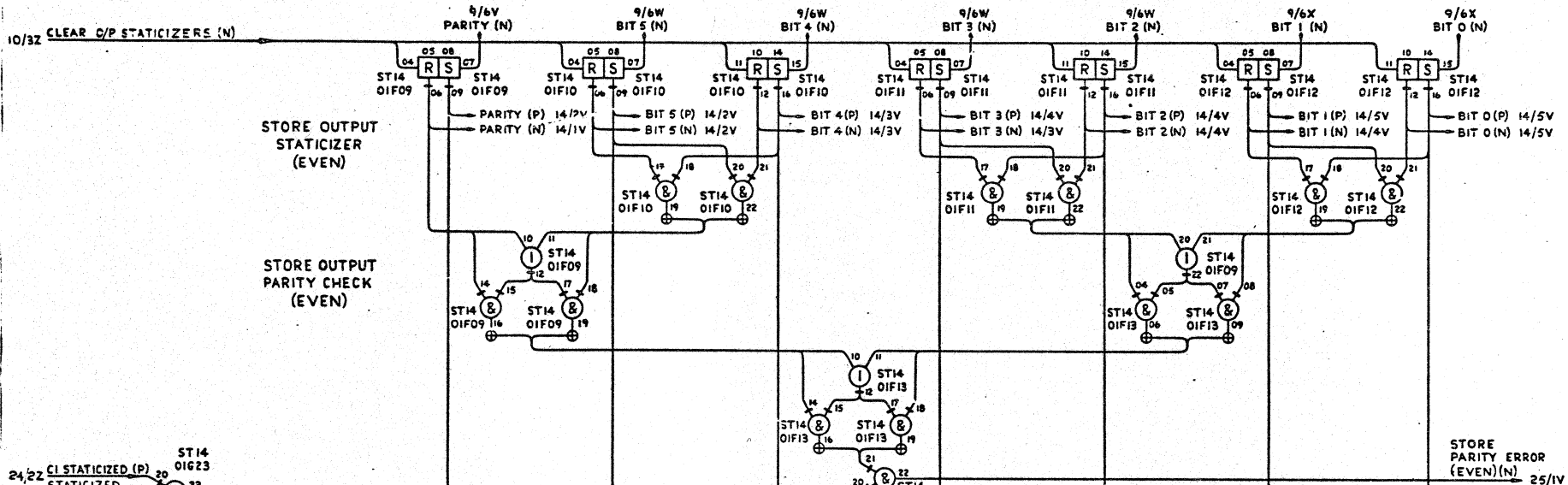
SHEET

26-465 P.S.M.

ISS

CHANGES

STORE OUTPUT (EVEN)



DSM 21-4-65



OUTPUT STATICIZER & RECIRCULATE (EVEN)

801631 /

ISSUE SHEET

DRAWN TO PROV. STD 7902101

ISSUE SHEET	1	2	3	4	5	6	7	8	9	10	11	12	13	14	15	16	17	18	19	20	21	22	23	24	25	26	27	28	29	30
-------------	---	---	---	---	---	---	---	---	---	----	----	----	----	----	----	----	----	----	----	----	----	----	----	----	----	----	----	----	----	----

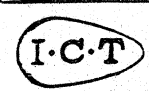
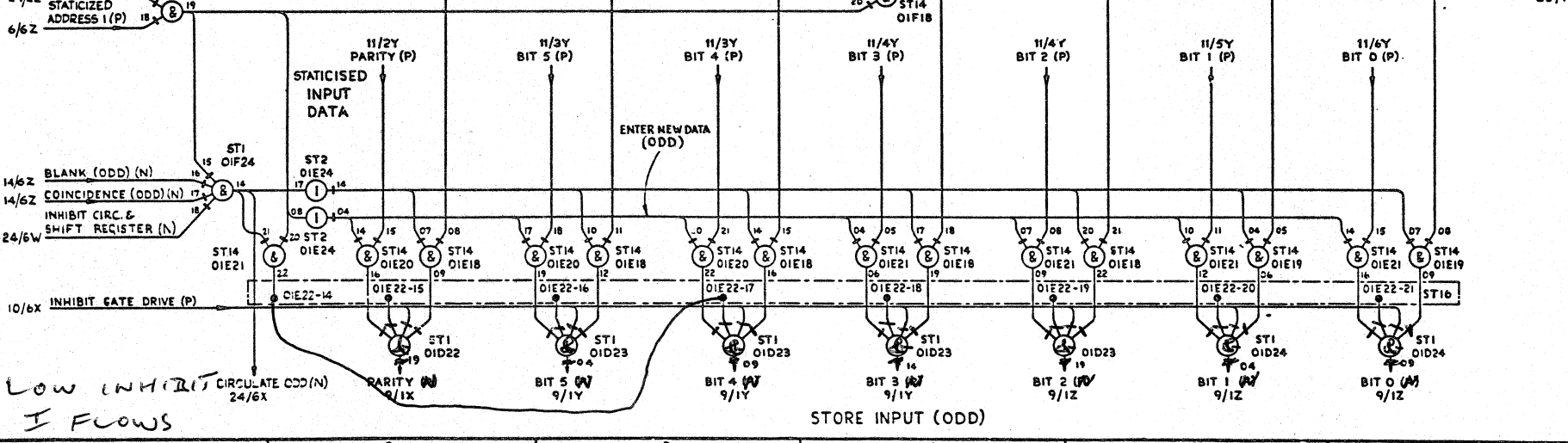
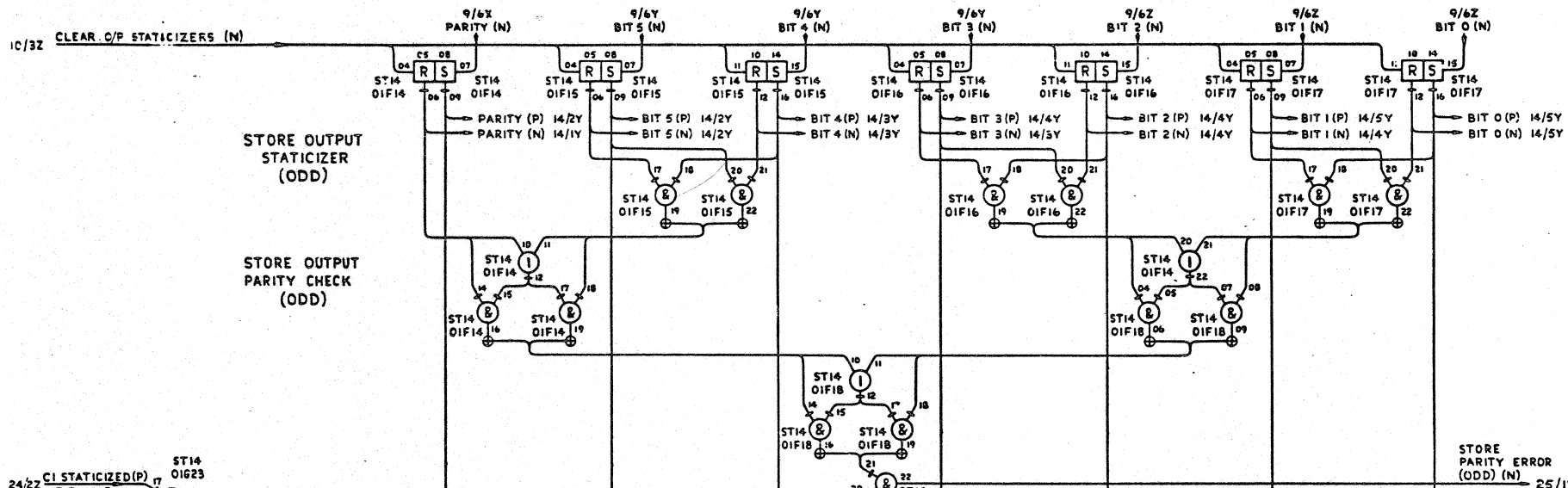
ISSUE NUMBERS OF OTHER SHEETS AT THE TIME OF ISSUING THIS SHEET

DIAGRAM

ISSUE

SHEET

STORE OUTPUT (ODD)



OUTPUT STATICIZER & RECIRCULATE (ODD)

801631 / 12

DRAWN TO ISSUE
PROV. STD 7902101

SHEET	1	2	3	4	5	6	7	8	9	10	11	12	13	14	15	16	17	18	19	20	21	22	23	24	25	26	27	28	29	30
-------	---	---	---	---	---	---	---	---	---	----	----	----	----	----	----	----	----	----	----	----	----	----	----	----	----	----	----	----	----	----

ISSUE NUMBERS OF OTHER SHEETS AT THE TIME OF ISSUING THIS SHEET

DIAGRAM ISSUE SHEET

1000000

ISS

CHANGES

801648/1

801648/1

801648/1

801648/1

801648/1

801648/1

801648/1

CHARACTER CODE

CODE PARITY (N)

C.BIT 5 (N)

C.BIT 4 (N)

C.BIT 3 (N)

C.BIT 2 (N)

C.BIT 1 (N)

C.BIT 0 (N)

24/4W RESET CODE STAT. (P)

24/4Z SET CODE STAT. (N)

CHARACTER CODE STATICIZER

CHARACTER CODE PARITY CHECK

C. PARITY ERROR (P)

C. PARITY (N)

C. PARITY (P)

C. BIT 5 (N)

C. BIT 5 (P)

C. BIT 4 (N)

C. BIT 4 (P)

C. BIT 3 (N)

C. BIT 3 (P)

C. BIT 2 (N)

C. BIT 2 (P)

C. BIT 1 (N)

C. BIT 1 (P)

C. BIT 0 (N)

C. BIT 0 (P)

CHARACTER CODE STATICIZER OUTPUTS

DSM 8 2 65

Ench



CHARACTER CODE STATICIZER

801631 /

13

DRAWN TO PROV. STD 7902101

ISSUE

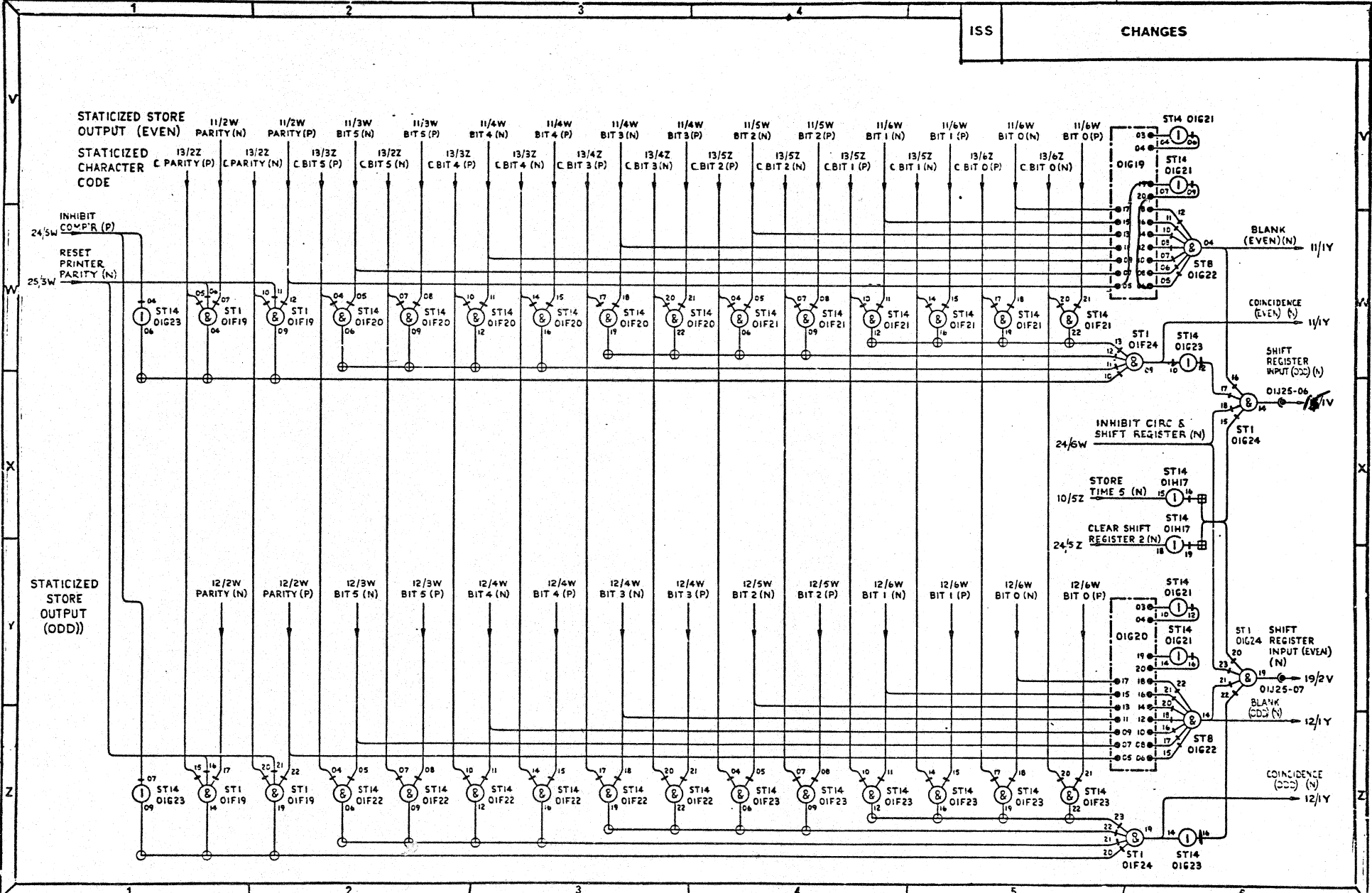
SHEET	1	2	3	4	5	6	7	8	9	10	11	12	13	14	15	16	17	18	19	20	21	22	23	24	25	26	27	28	29	30
-------	---	---	---	---	---	---	---	---	---	----	----	----	----	----	----	----	----	----	----	----	----	----	----	----	----	----	----	----	----	----

ISSUE NUMBERS OF OTHER SHEETS AT THE TIME OF ISSUING THIS SHEET

DIAGRAM

ISSUE

SHEET



15 4 65



COMPARATOR

801631 /

14

DRAWN TO ISSUE
PROV. STD
7902101

SHEET	1	2	3	4	5	6	7	8	9	10	11	12	13	14	15	17	18	19	20	21	22	23	24	25	26	27	28	29	30
-------	---	---	---	---	---	---	---	---	---	----	----	----	----	----	----	----	----	----	----	----	----	----	----	----	----	----	----	----	----

ISSUE NUMBERS OF OTHER SHEETS AT THE TIME OF ISSUING THIS SHEET

DIAGRAM

ISSUE

SHEET

ISS

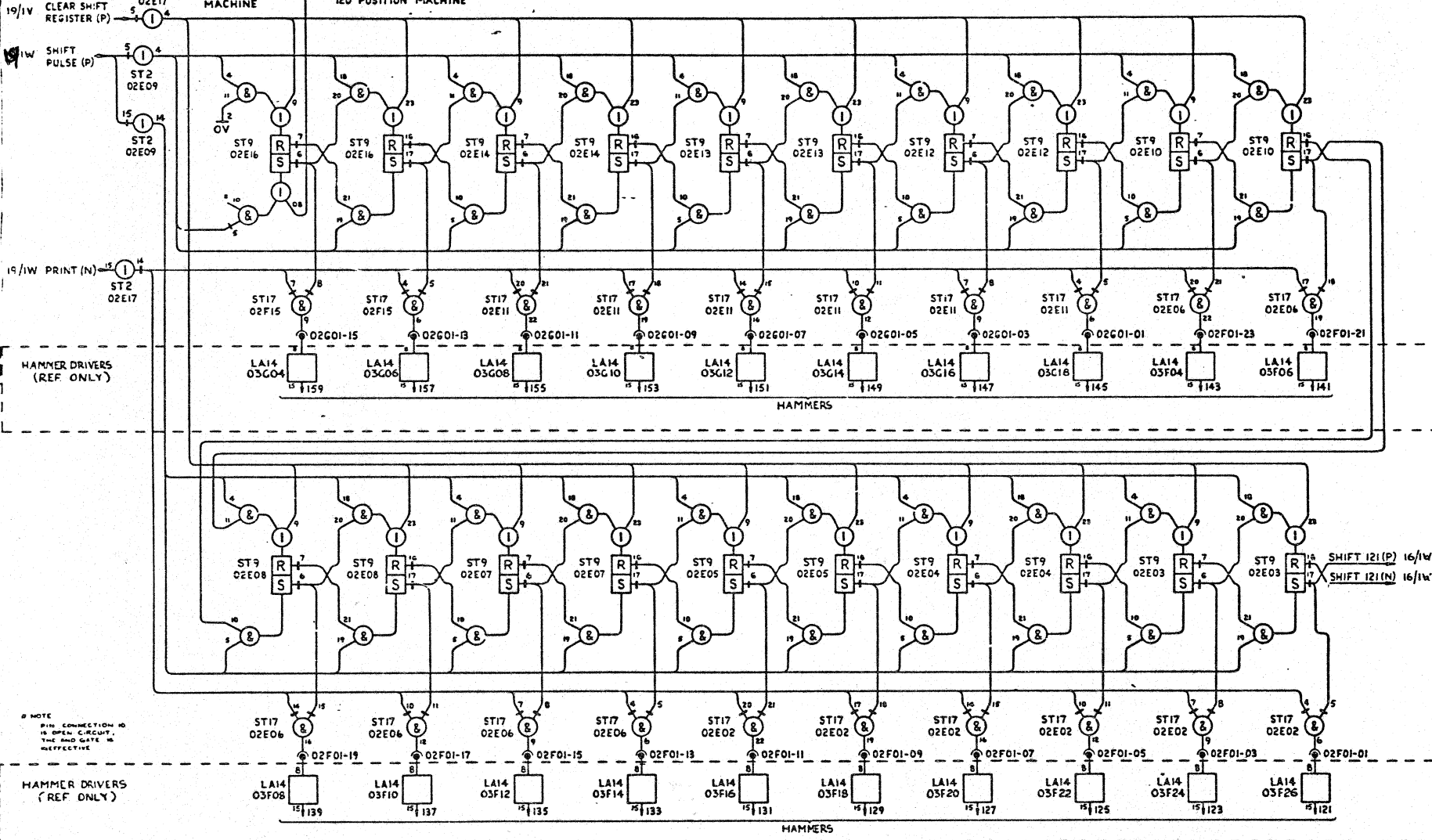
CHANGES

(TO SPECIFICATION) 02G02 SHIFT REGISTER INPUT ODD - 96 (N) 16/17

14/6X SHIFT REGISTER INPUT (ODD) (N) 02J01-06

SHIFT REGISTER INPUT ODD - 120 (N) 16/17

LINK FOR 160 POSITION MACHINE
LINKS FOR 96 AND 120 POSITION MACHINE



NOTE
PIN CONNECTION IS
IN OPEN CIRCUIT,
THE AND GATE IS
INEFFECTIVE

SHIFT 121(P) 16/17
SHIFT 121(N) 16/17



SHIFT REGISTER

801631 /

15

DRAWN TO
PROV. STD
7902101

ISSUE

SHEET 1 2 3 4 5 6 7 8 9 10 11 12 13 14 15 16 17 18 19 20 21 22 23 24 25 26 27 28 29 30

DIAGRAM

ISSUE

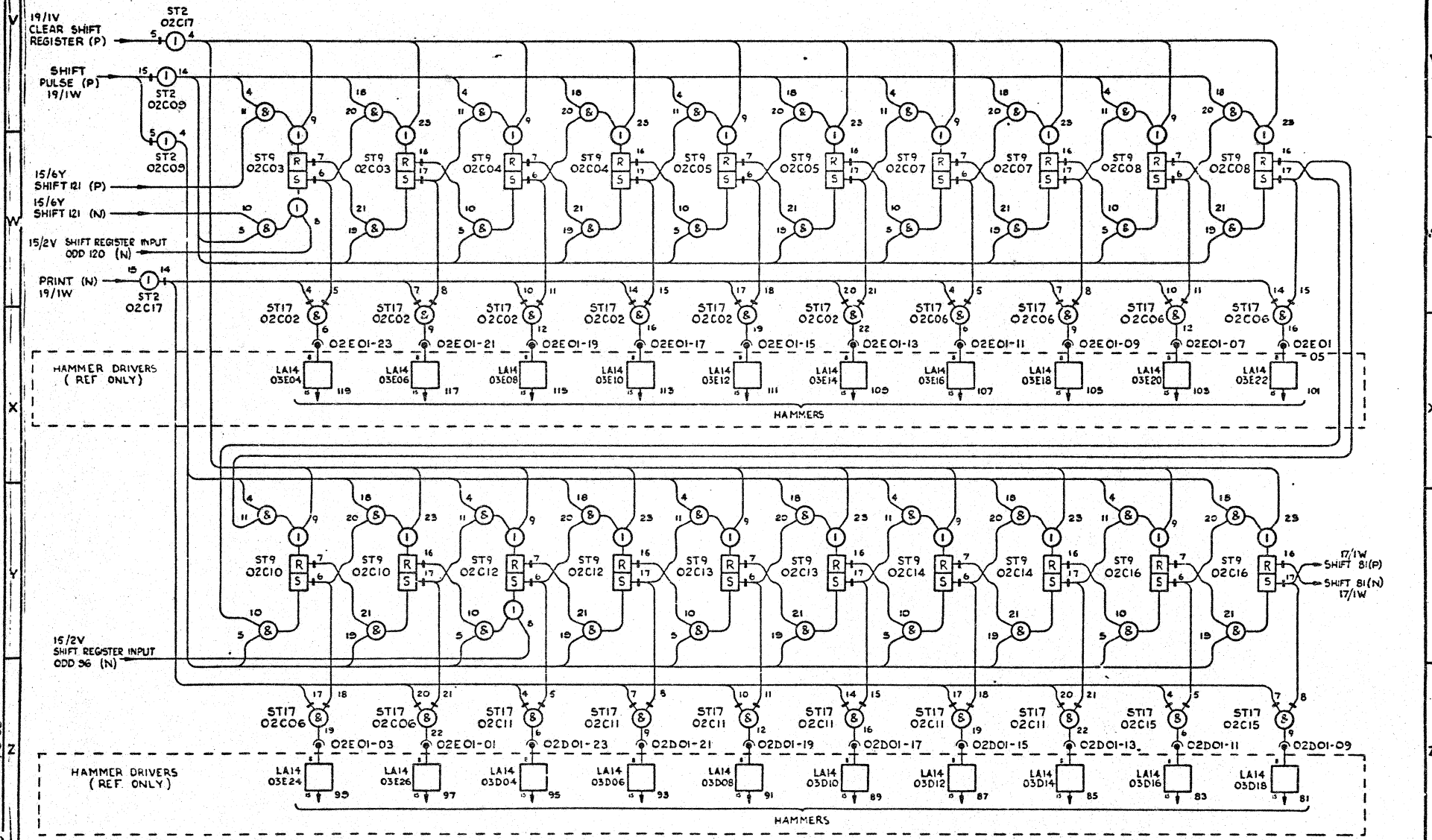
SHEET

ISSUE NUMBERS OF OTHER SHEETS AT THE TIME OF ISSUING THIS SHEET

DSM 1365

ISS

CHANGES



SHIFT REGISTER

801631 /

16

DRAWN TO ISSUE
PROV. STD
7902101

SHEET	1	2	3	4	5	6	7	8	9	10	11	12	13	14	15	16	17	18	19	20	21	22	23	24	25	26	27	28	29	30
-------	---	---	---	---	---	---	---	---	---	----	----	----	----	----	----	----	----	----	----	----	----	----	----	----	----	----	----	----	----	----

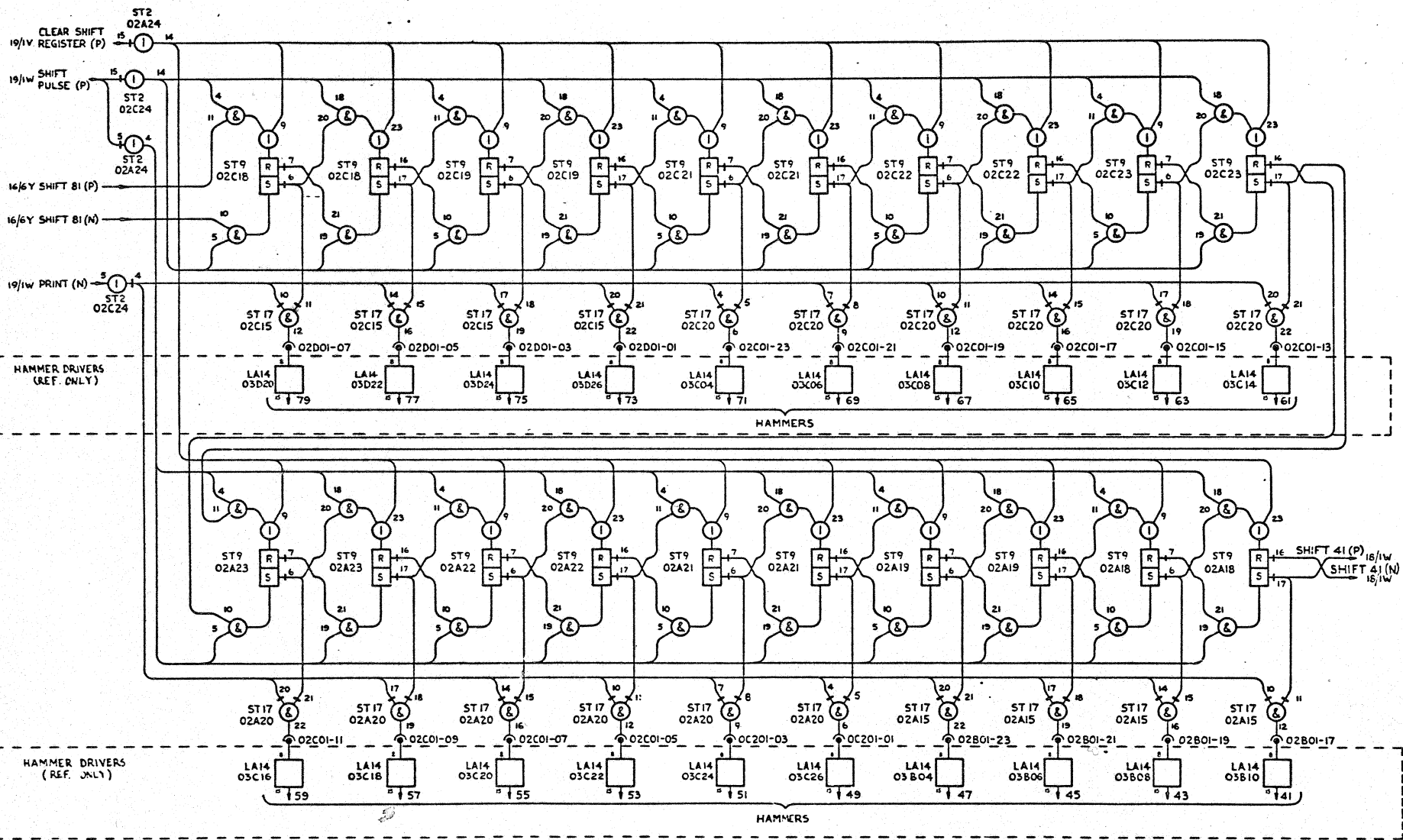
ISSUE NUMBERS OF OTHER SHEETS AT THE TIME OF ISSUING THIS SHEET

DIAGRAM

ISSUE SHEET

ISS

CHANGES



15-3-65
E.G.



SHIFT REGISTER

801631 /

DRAWN TO ISSUE
PROV. STD
7902101

SHEET	1	2	3	4	5	6	7	8	9	10	11	12	13	14	15	16	17	18	19	20	21	22	23	24	25	26	27	28	29	30
-------	---	---	---	---	---	---	---	---	---	----	----	----	----	----	----	----	----	----	----	----	----	----	----	----	----	----	----	----	----	----

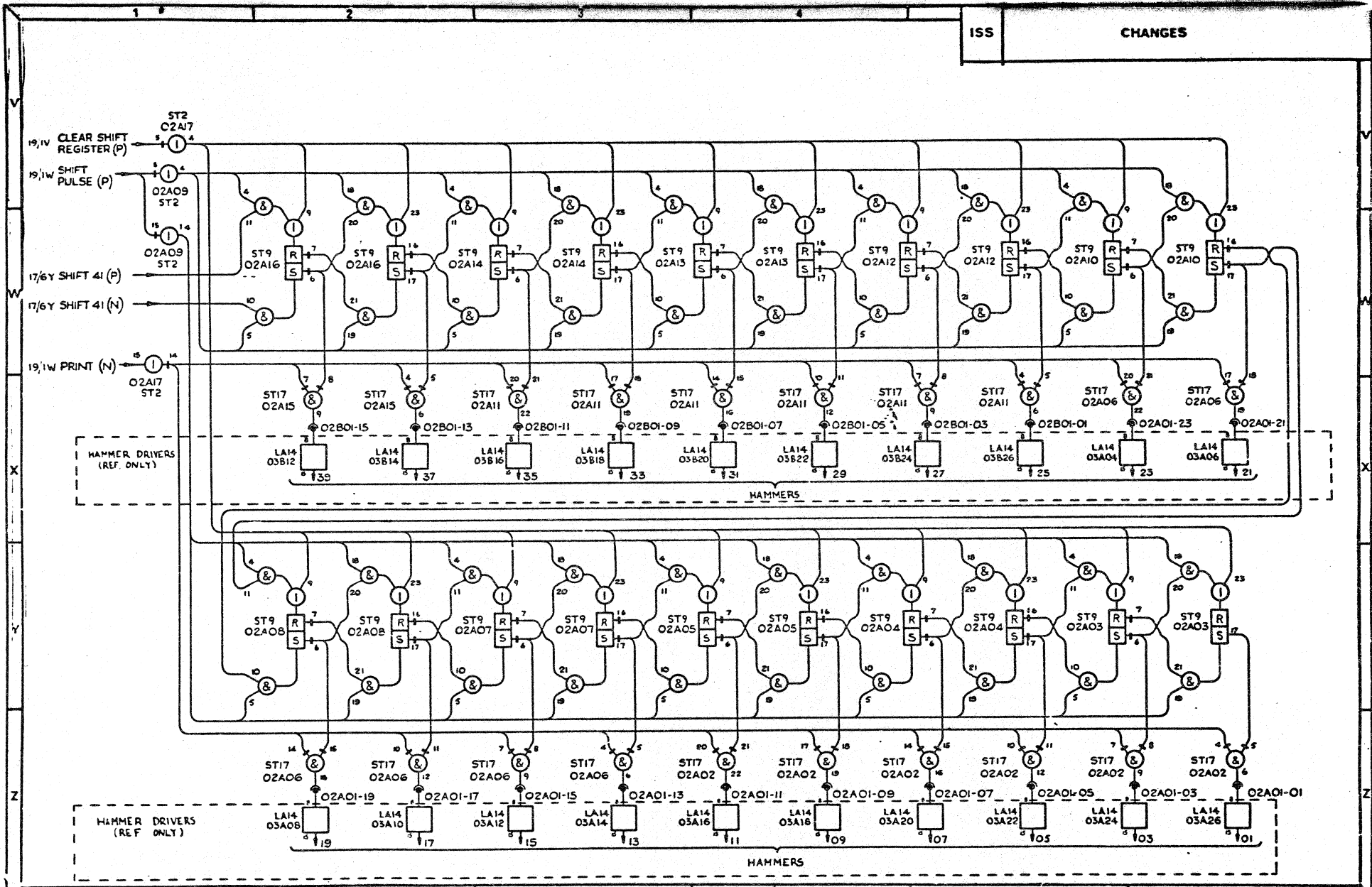
ISSUE NUMBERS OF OTHER SHEETS AT THE TIME OF ISSUING THIS SHEET

DIAGRAM

ISSUE SHEET

ISS

CHANGES



SHIFT REGISTER

801631 /

18

DRAWN TO
PROV. STD
7902101

ISSUE

SHEET	1	2	3	4	5	6	7	8	9	10	11	12	13	14	15	16	17	18	19	20	21	22	23	24	25	26	27	28	29	30
-------	---	---	---	---	---	---	---	---	---	----	----	----	----	----	----	----	----	----	----	----	----	----	----	----	----	----	----	----	----	----

ISSUE NUMBERS OF OTHER SHEETS AT THE TIME OF ISSUING THIS SHEET

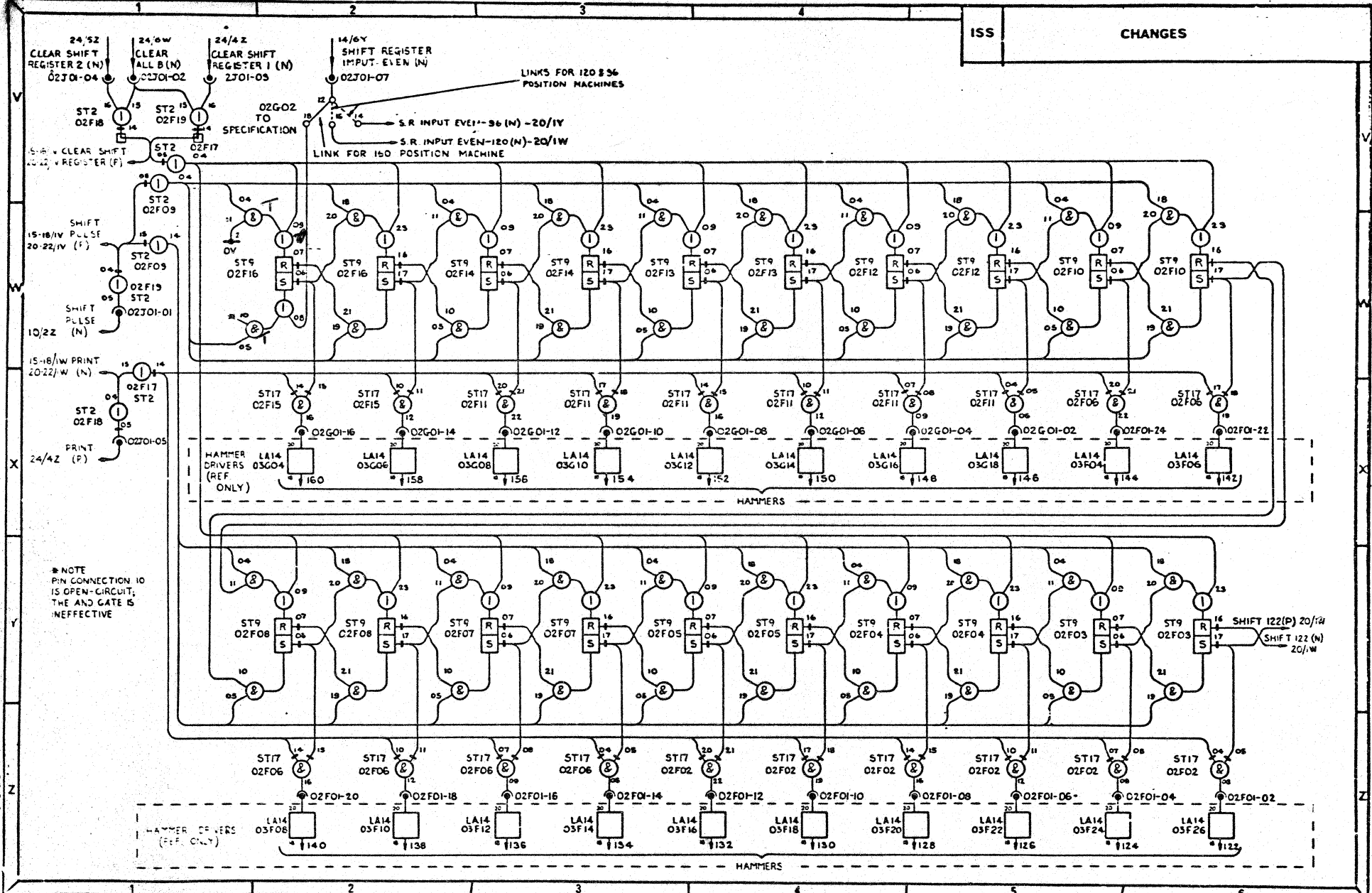
DIAGRAM

ISSUE

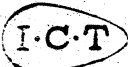
SHEET

ISS

CHANGES



* NOTE
PIN CONNECTION 10
IS OPEN-CIRCUIT;
THE AND GATE IS
INEFFECTIVE



SHIFT REGISTER

801631 / 9
DIAGRAM ISSUE SHEET

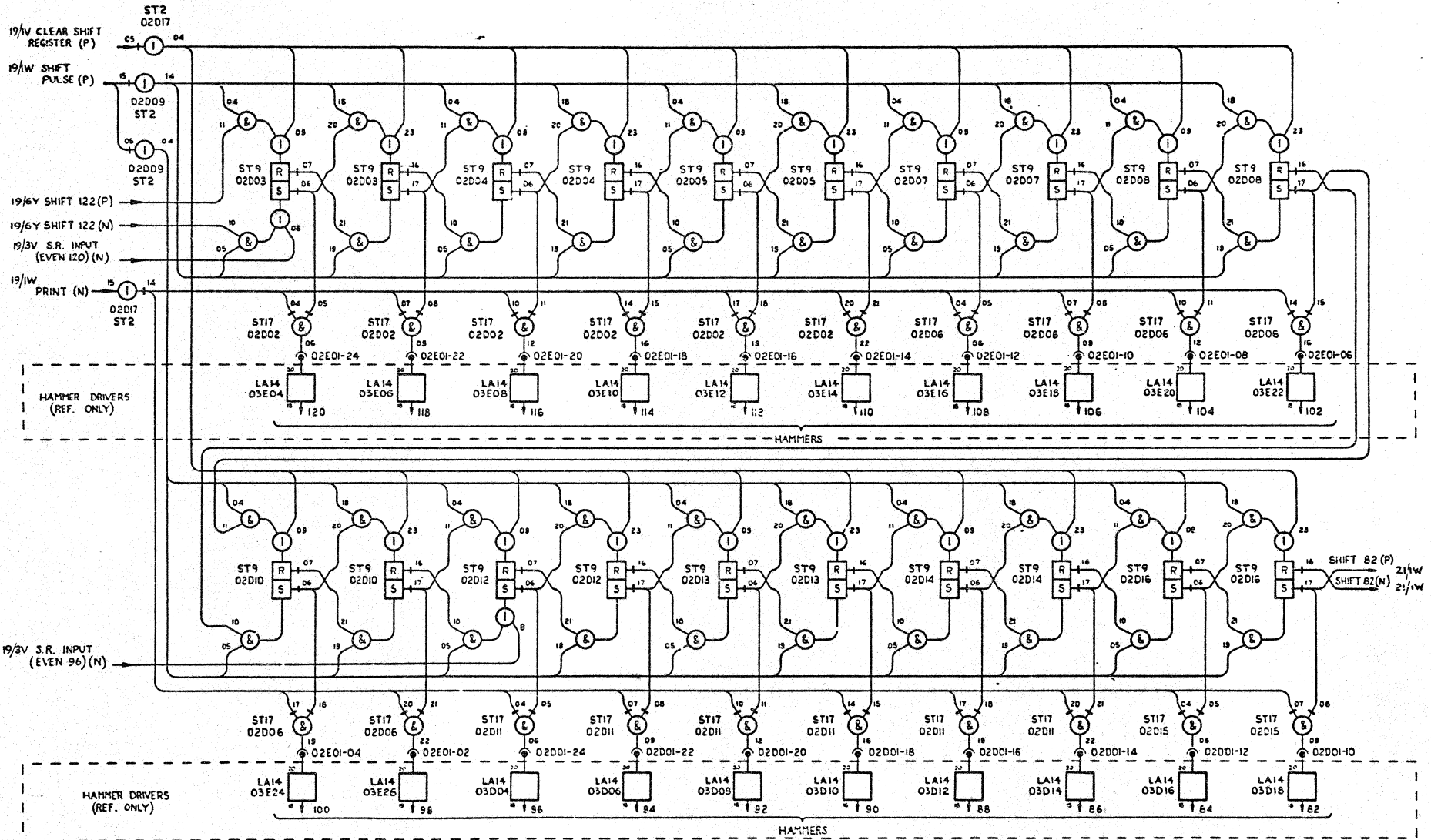
DRAWN TO
PROV. STD
7902101

ISSUE																														
SHEET	1	2	3	4	5	6	7	8	9	10	11	12	13	14	15	16	17	18	19	20	21	22	23	24	25	26	27	28	29	30
ISSUE NUMBERS OF OTHER SHEETS AT THE TIME OF ISSUING THIS SHEET																														

S. COOPER 13 3 65

ISS

CHANGES



SHIFT REGISTER

801631 /

20

DRAWN TO ISSUE
PROV. STD
7902101

SHEET	1	2	3	4	5	6	7	8	9	10	11	12	13	14	15	16	17	18	19	20	21	22	23	24	25	26	27	28	29	30
-------	---	---	---	---	---	---	---	---	---	----	----	----	----	----	----	----	----	----	----	----	----	----	----	----	----	----	----	----	----	----

ISSUE NUMBERS OF OTHER SHEETS AT THE TIME OF ISSUING THIS SHEET

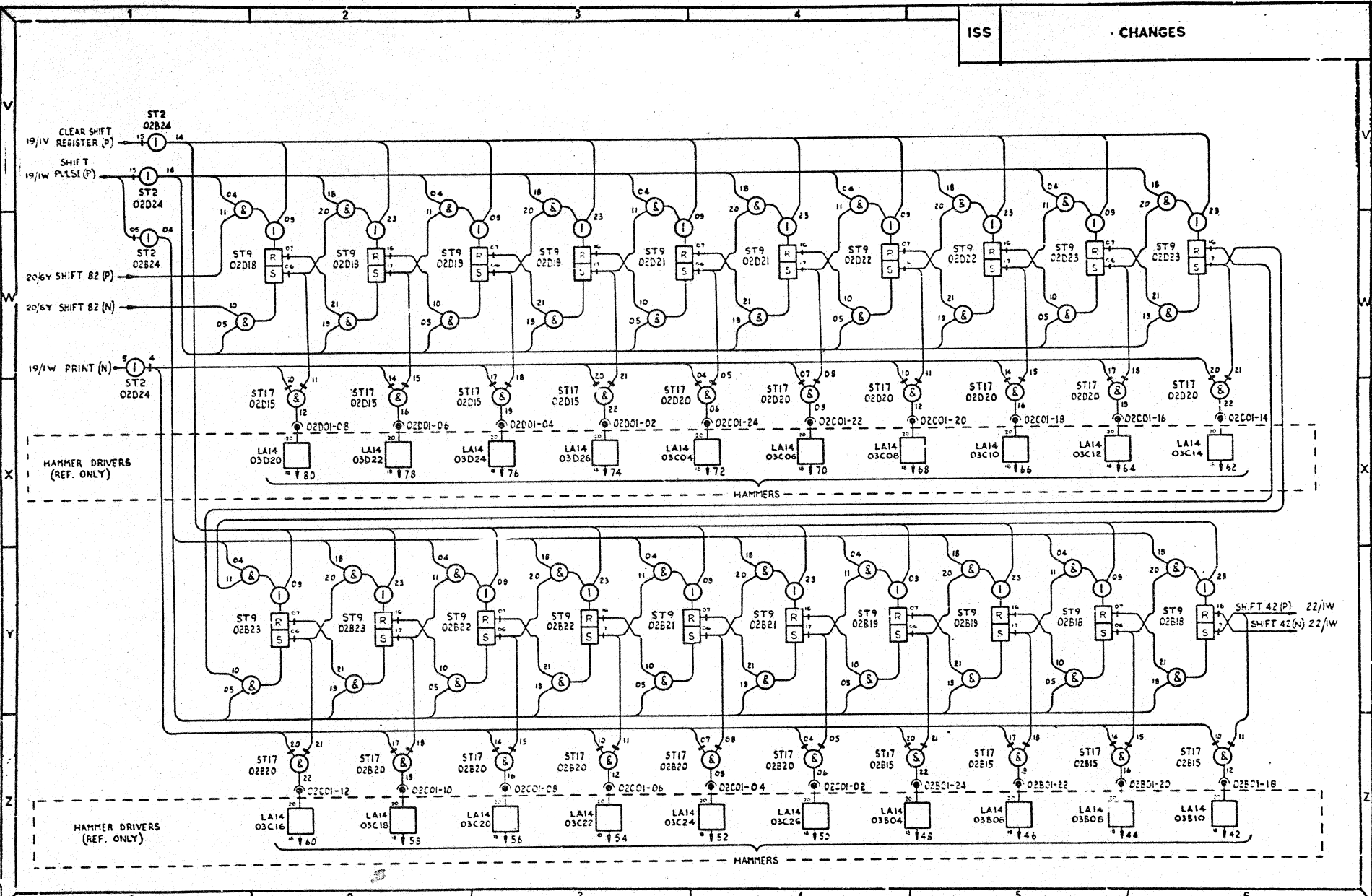
DIAGRAM

ISSUE

SHEET



ISS CHANGES

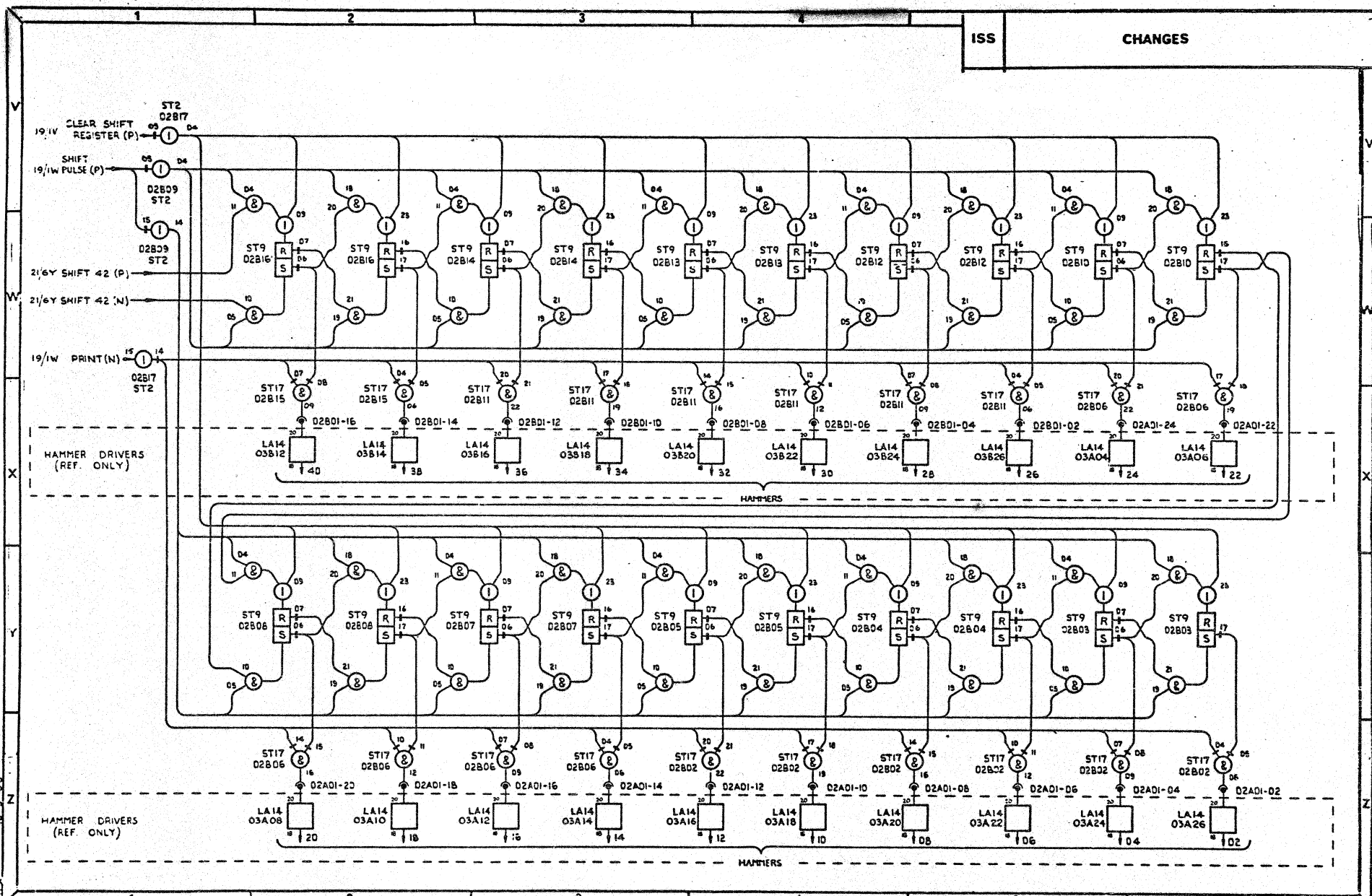


16-3-65

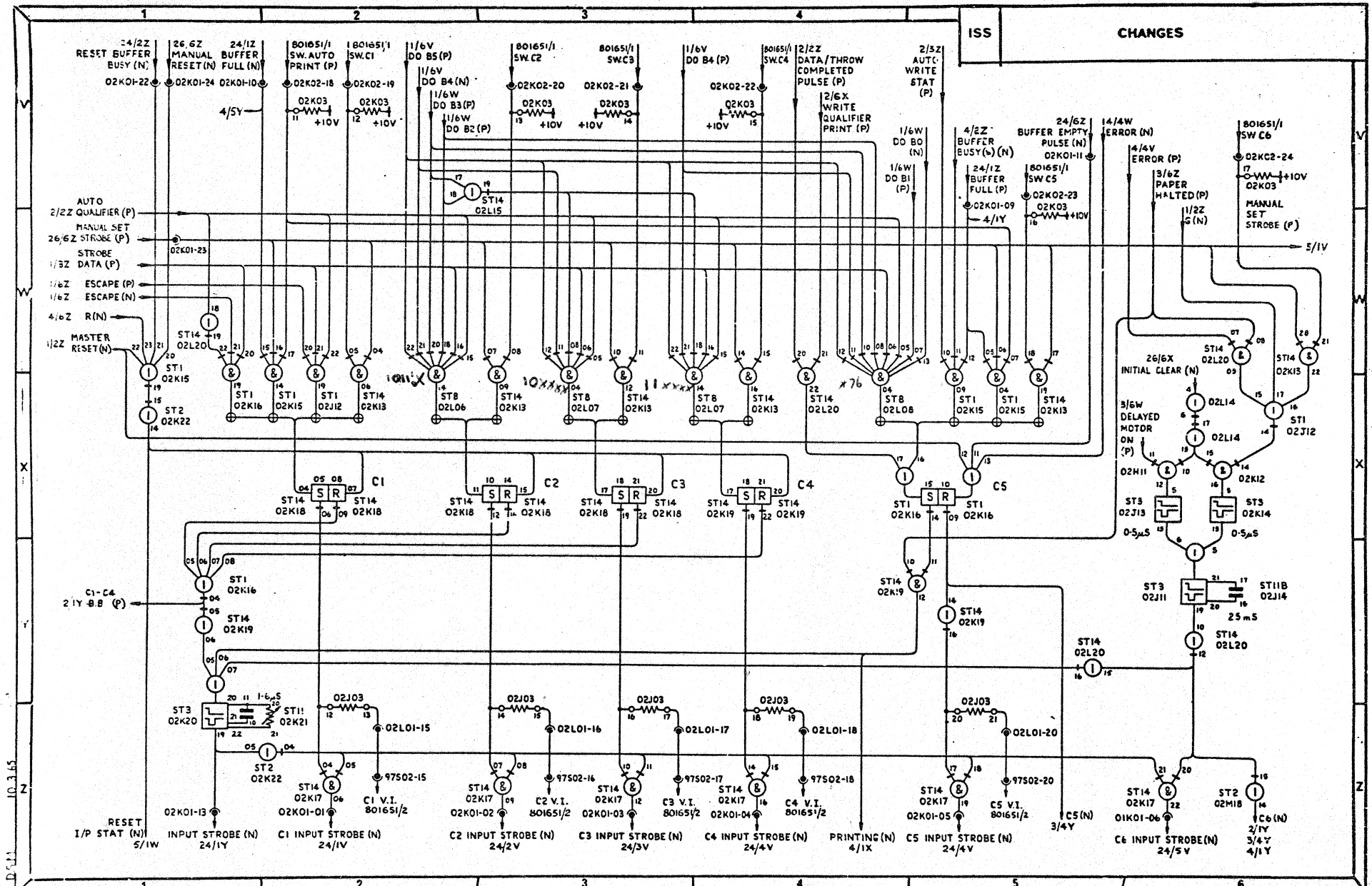
I.C.T	SHIFT REGISTER	801631 /	21	DRAWN TO PROV. STD 7902101	ISSUE																														
DIAGRAM		ISSUE SHEET		SHEET																															
				<table border="1" style="width: 100%; border-collapse: collapse; text-align: center;"> <tr> <td>1</td><td>2</td><td>3</td><td>4</td><td>5</td><td>6</td><td>7</td><td>8</td><td>9</td><td>10</td><td>11</td><td>12</td><td>13</td><td>14</td><td>15</td><td>16</td><td>17</td><td>18</td><td>19</td><td>20</td><td>21</td><td>22</td><td>23</td><td>24</td><td>25</td><td>26</td><td>27</td><td>28</td><td>29</td><td>30</td> </tr> </table>		1	2	3	4	5	6	7	8	9	10	11	12	13	14	15	16	17	18	19	20	21	22	23	24	25	26	27	28	29	30
1	2	3	4	5	6	7	8	9	10	11	12	13	14	15	16	17	18	19	20	21	22	23	24	25	26	27	28	29	30						
ISSUE NUMBERS OF OTHER SHEETS AT THE TIME OF ISSUING THIS SHEET																																			

ISS

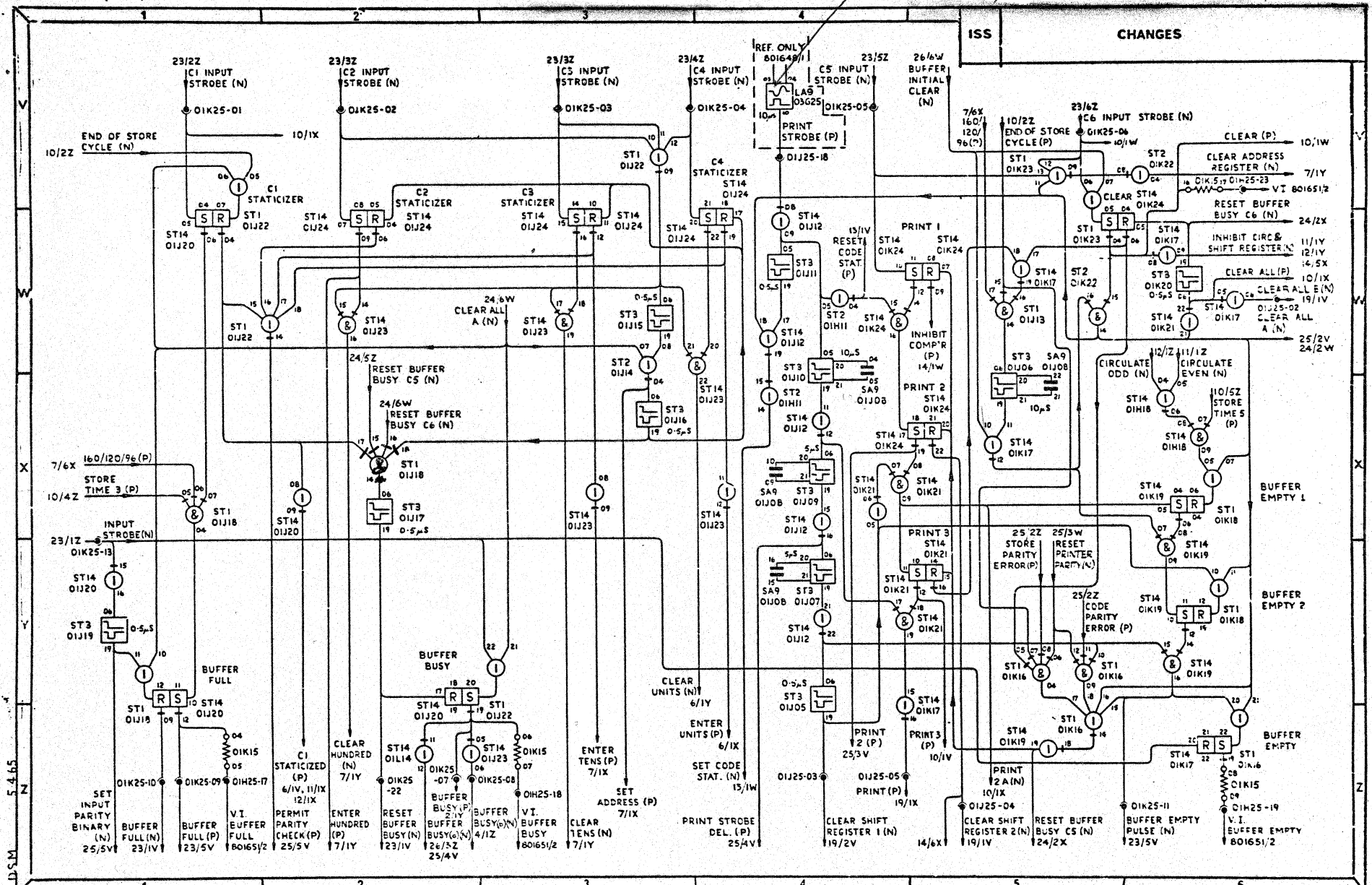
CHANGES

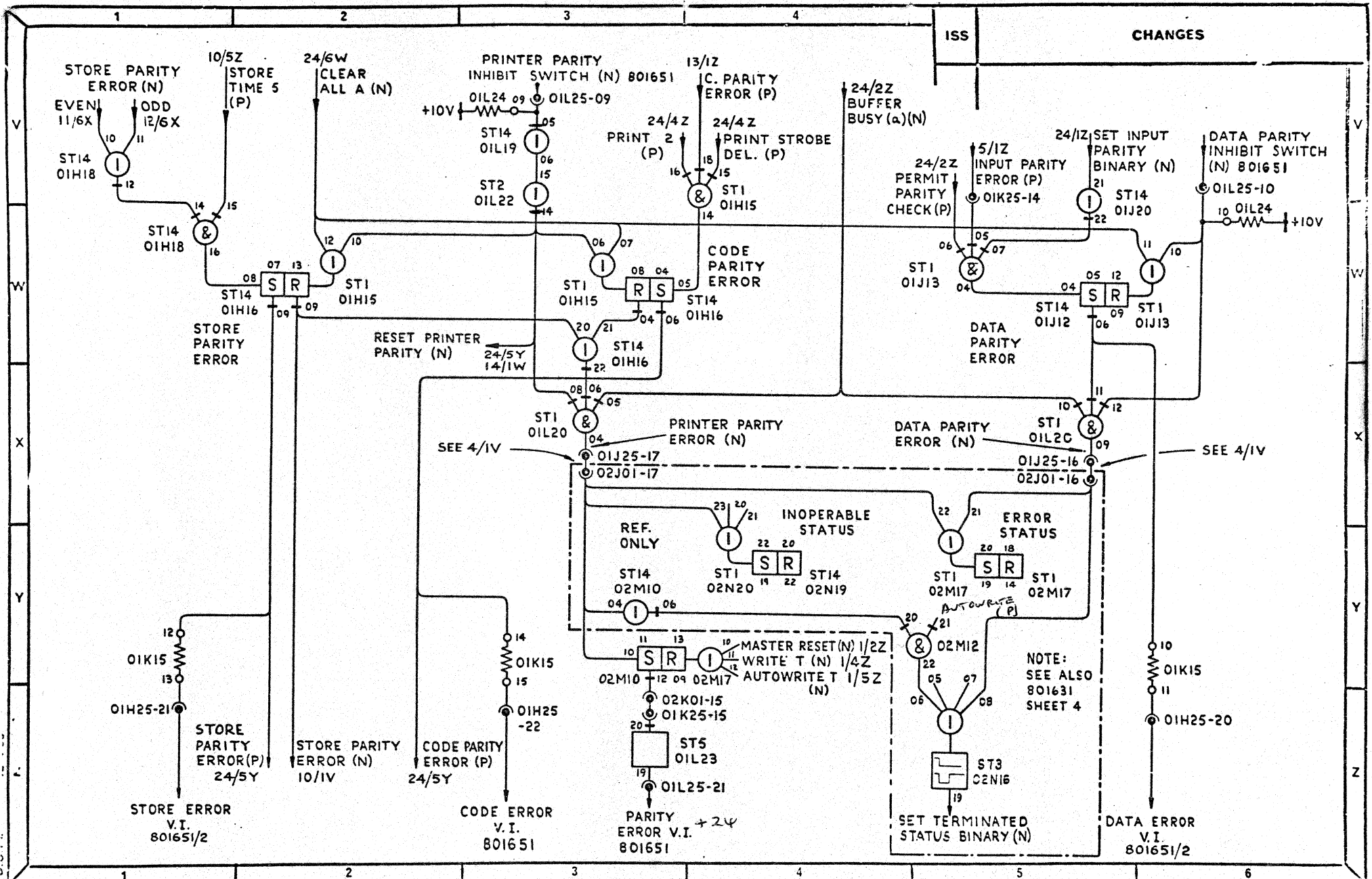


	SHIFT REGISTER	801631 /	22	DRAWN TO	ISSUE																															
	DIAGRAM	ISSUE	SHEET	PROV. STD	7902101																															
				<table border="1" style="width: 100%; border-collapse: collapse;"> <tr> <td style="text-align: center;">SHEET</td> <td style="text-align: center;">1</td> <td style="text-align: center;">2</td> <td style="text-align: center;">3</td> <td style="text-align: center;">4</td> <td style="text-align: center;">5</td> <td style="text-align: center;">6</td> <td style="text-align: center;">7</td> <td style="text-align: center;">8</td> <td style="text-align: center;">9</td> <td style="text-align: center;">10</td> <td style="text-align: center;">11</td> <td style="text-align: center;">12</td> <td style="text-align: center;">13</td> <td style="text-align: center;">14</td> <td style="text-align: center;">15</td> <td style="text-align: center;">16</td> <td style="text-align: center;">17</td> <td style="text-align: center;">18</td> <td style="text-align: center;">19</td> <td style="text-align: center;">20</td> <td style="text-align: center;">21</td> <td style="text-align: center;">22</td> <td style="text-align: center;">23</td> <td style="text-align: center;">24</td> <td style="text-align: center;">25</td> <td style="text-align: center;">26</td> <td style="text-align: center;">27</td> <td style="text-align: center;">28</td> <td style="text-align: center;">29</td> <td style="text-align: center;">30</td> </tr> </table>		SHEET	1	2	3	4	5	6	7	8	9	10	11	12	13	14	15	16	17	18	19	20	21	22	23	24	25	26	27	28	29	30
SHEET	1	2	3	4	5	6	7	8	9	10	11	12	13	14	15	16	17	18	19	20	21	22	23	24	25	26	27	28	29	30						
				ISSUE NUMBERS OF OTHER SHEETS AT THE TIME OF ISSUING THIS SHEET																																



42 37546
CO 50046
10 μs.





PARITY ERROR
CIRCUITS

801631/
DIAGRAM

ISSUE

25
SHEET

DRAWN TO
PROV. STD
7902101

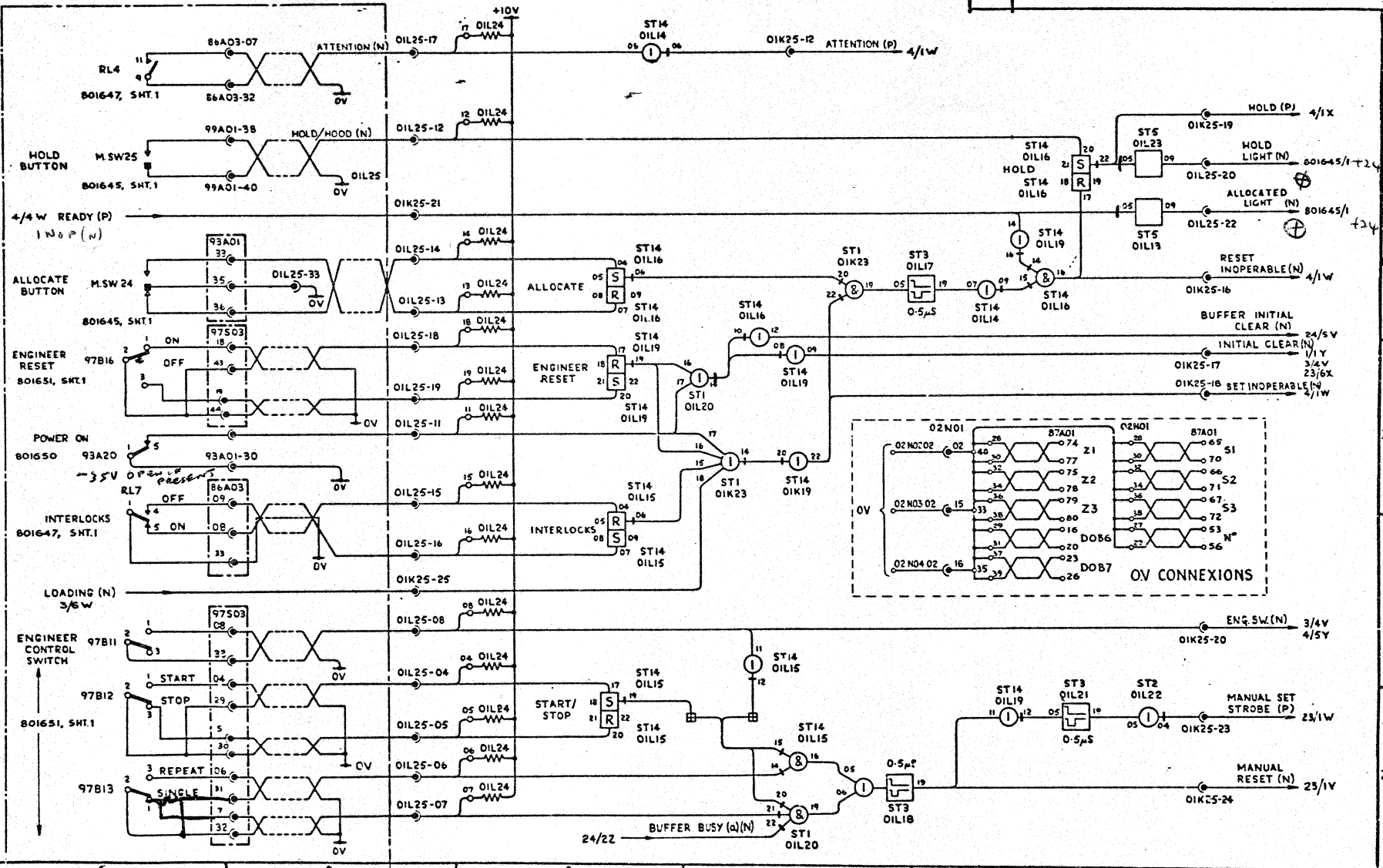
ISSUE

SHEET	1	2	3	4	5	6	7	8	9	10	11	12	13	14	15	16	17	18	19	20
-------	---	---	---	---	---	---	---	---	---	----	----	----	----	----	----	----	----	----	----	----

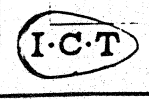
ISSUE NUMBERS OF OTHER SHEETS AT THE TIME OF ISSUING THIS SHEET

ISS

CHANGES



D.S.M. 26565



REFERENCE ONLY
MISCELLANEOUS CIRCUITS

DIAGRAM 801631 / ISSUE 26 SHEET

DRAWN TO
PROV. STD
7902101

ISSUE																														
SHEET	1	2	3	4	5	6	7	8	9	10	11	12	13	14	15	16	17	18	19	20	21	22	23	24	25	26	27	28	29	30
ISSUE NUMBERS OF OTHER SHEETS AT THE TIME OF ISSUING THIS SHEET																														