



MODEL 715 DEC
DISK STORAGE DRIVE

PARTS CATALOG

UP002341-2

ITTEL
CORPORATION
FIELD ENGINEERING DIVISION

AUGUST 1973

PREFACE

This manual contains lists of parts and related illustrations which identify and show all replaceable components, assemblies, and detail parts of the ITEL Model 715 DEC Disk Storage Drive.

This information is current as of August 1973.

ITEL
CORPORATION
FIELD ENGINEERING DIVISION

Technical Support Operations
10435 North Tantau Avenue
Cupertino, California 95014
Tel: (408) 257-6220 TWX 910-338-0280

PREFACE

This manual contains lists of parts and related illustrations which identify and show all replaceable components, assemblies, and detail parts of the TTEL Model 715 DEC Disk Storage Drive.

This information is current as of August 1975.

Technical Support Operations
10435 North Tantau Avenue
Cupertino, California 95014
Tel: (408) 257-8250 TWX 910-338-0280



TABLE OF CONTENTS

Section		Page
1	INTRODUCTION	1-1
	GROUP ASSEMBLY PARTS LIST	1-1
	COLUMN EXPLANATION	1-1
	PRINTED WIRING ASSEMBLY ILLUSTRATIONS	1-3
	PART NUMBER INDEX	1-3
2	GROUP ASSEMBLY PARTS LIST	2-1
	Model 715DEC Disk Storage Drive	2-2
	Top Cover Assembly	2-6
	Top Cover Doors	2-10
	Usage Meter Assembly	2-12
	Disk Storage Drive Assembly	2-14
	Matrix PWA	2-18
	Air Deflector Assembly	2-20
	Baseplate Assembly (Part 1)	2-22
	Baseplate Assembly (Part 2)	2-24
	Tower Assembly	2-26
	Carriage Assembly	2-28
	Access Transducer Assembly	2-30
	Carriage Subassembly	2-32
	Brush Drive Assembly	2-34
	Index Pivot Assembly	2-36
	Index Transducer Assembly	2-38
	Drive Motor Assembly	2-40
	Spindle Assembly	2-42
	Drive Frame Assembly (Part 1)	2-44
	Drive Frame Assembly (Part 2)	2-46
	Drive Frame Assembly (Part 3)	2-48
	Control Panel Assembly	2-50
	Air System Assembly	2-52
	Power Supply Assembly	2-54
	Regulator Assembly	2-58
	Power Supply PWA	2-62
	Resistor Bracket Assembly	2-64
	Electronic Gate Matrix	2-66
	Select 0-9 PWA	2-68
	Select 10-19 PWA	2-70
	Write PWA	2-72
	Read PWA	2-76
	Head Address Register PWA	2-78
	Cylinder Address Register PWA	2-80
	File Status PWA	2-82
	Difference Counter PWA	2-84
	Access Control PWA	2-86
	Curve Generator PWA	2-88

TABLE OF CONTENTS (CONT'D)

Section		Page
2	Difference Calculator PWA	2-92
	Index Transducer PWA	2-94
	Summing and Pulsing PWA	2-98
	Cylinder Select PWA	2-102
	Power Control PWA	2-104
	Electronic Gate Assembly	2-106
	Power Driver Assembly	2-108
	Power Driver PWA	2-110
	Sequence Panel Assembly	2-114
	Noise Filter Assembly	2-116
	Motor Brake Assembly	2-118
	Sequence Panel Subassembly	2-120
	Hardware Frame Assembly	2-122
	External Cables and Terminator	2-126
	Alignment Took Kit Assembly	2-128
	Standard and Special Hand Tools	2-130
3	PART NUMBER INDEX	3-1

SECTION 1 PARTS CATALOG

1.1 INTRODUCTION

This manual contains lists of parts and accompanying illustrations, identifying and illustrating all replaceable components, assemblies and detail parts of the ISS Model 715DEC Disk Storage Drive. It is contained in one volume and is divided into three sections as follows:

- a. Section 1, Introduction. This section contains the instructions you will need to use the information contained in Sections 2 and 3.
- b. Section 2, Group Assembly Parts Lists. All replaceable parts and assemblies required for maintenance are illustrated, listed, and identified in this section.
- c. Section 3, Part Number Index. This section is a complete alphabetical-numerical index of all parts listed in Section 2, and provides a cross reference to the figure and index number that illustrates and identifies each part.

1.2 GROUP ASSEMBLY PARTS LIST

The following group assembly parts lists and illustrations contain a breakdown of all replaceable parts, listed in order of disassembly (when disassembly is significant). External cables, hand tools and alignment tools are shown in the last figures of this chapter. Optional equipment and parts are identified within appropriate lists.

1.3 COLUMN EXPLANATION

1.3.1 "Fig. & Index" Column

This column shows the figure number of the unit breakdown and the index number which is cross referenced to a call-out on the accompanying illustration.

1. Index numbers are not assigned to assemblies where all details of the assembly have index numbers.
2. Where two or more assemblies are combined in a single breakdown, the same or similar items with different part numbers or quantities have the same index number.
3. All items having an index number are illustrated.

1.3.2 "Part Number" Column

This column lists the Information Storage Systems part number. A "No Number" entry indicates a special-order item; no part number is assigned to such items.

1.3.3 "Description" Column

This column lists the name of the part, followed by a description when required.

Assembly and part relationship are shown by indenture. Each separately illustrated assembly listing begins in indenture one.

Attaching parts follow and are in the same indenture as the items they attach. The letters "AP" in parenthesis follows the description of attaching parts.

EXAMPLE:	DUCT ASSY, BLOWER	1
	SCREW, BIND. HD8-32 X .375 (AP)	3
	. CLAMP, DUCT	1

Gate designation and socket numbers for printed wiring assemblies (PWA's) are shown in parenthesis in the description.

EXAMPLE: PWA, SELECT (A19)

Proprietary PWA's have the words "PROPRIETARY ITEM" in parenthesis in this column. No breakdown is provided for proprietary items.

Electrical and electronic item descriptions have location numbers and reference designations in parenthesis. Components are listed in numerical order beginning with the lowest location number used. Only one of each part number is identified on the illustration. PWA's are numbered top to bottom, right to left. If location numbers are not applicable, only the reference designation is shown.

EXAMPLE:	RESISTOR, 1K 1/4W ±2PCT (1R12, 3R12)
	RESISTOR, 1 OHM 1/4W ±2PCT (2R1)
	RESISTOR, 10K 1/4W ±2PCT (R4)

1.3.4 "Units Per Assy" Column

This column designates the quantity used at that particular application of the part. Where "REF" is shown, the quantity used is shown on the figure indicated in the "REF FIG." Column. Where "AR" (as required is shown, requirement is determined by user.

1.3.5 "Used on Code" Column

The explanations of codes used in this column are given at the end of each listing. Parts with no code in this column are used on all machines covered in this catalog.

1.3.6 "Ref. Fig." Column

This column is used as a cross-reference between figures. A number in this column indicates the item is also shown on the figure referenced.

1.3.7 "Spare Item" Column

An "X" in this column indicates a recommended spare item. No entry in this column indicates the item is not recommended as a replacement part and is not normally available from ISS.

1.4 PRINTED WIRING ASSEMBLY ILLUSTRATIONS

Components on printed wiring assemblies are represented by locator number and reference designator appearing on the illustration in the actual location of the part. A square pad is used to indicate the anode on diodes, the emitter on transistors, the plus side of capacitors (as applicable), pin 1 on integrated circuits, and pin 8 on operational amplifiers.

1.5 PART NUMBER INDEX

The Part Number Index is a numerical index of all part numbers that appear in the Parts-Lists. Part number arrangement is in numerical order, left to right. The "Fig." column indicates the figure or figures on which that part appears, the "Index" column indicates the index number, where applicable, and the "Qty" column shows the quantity used at that particular application.

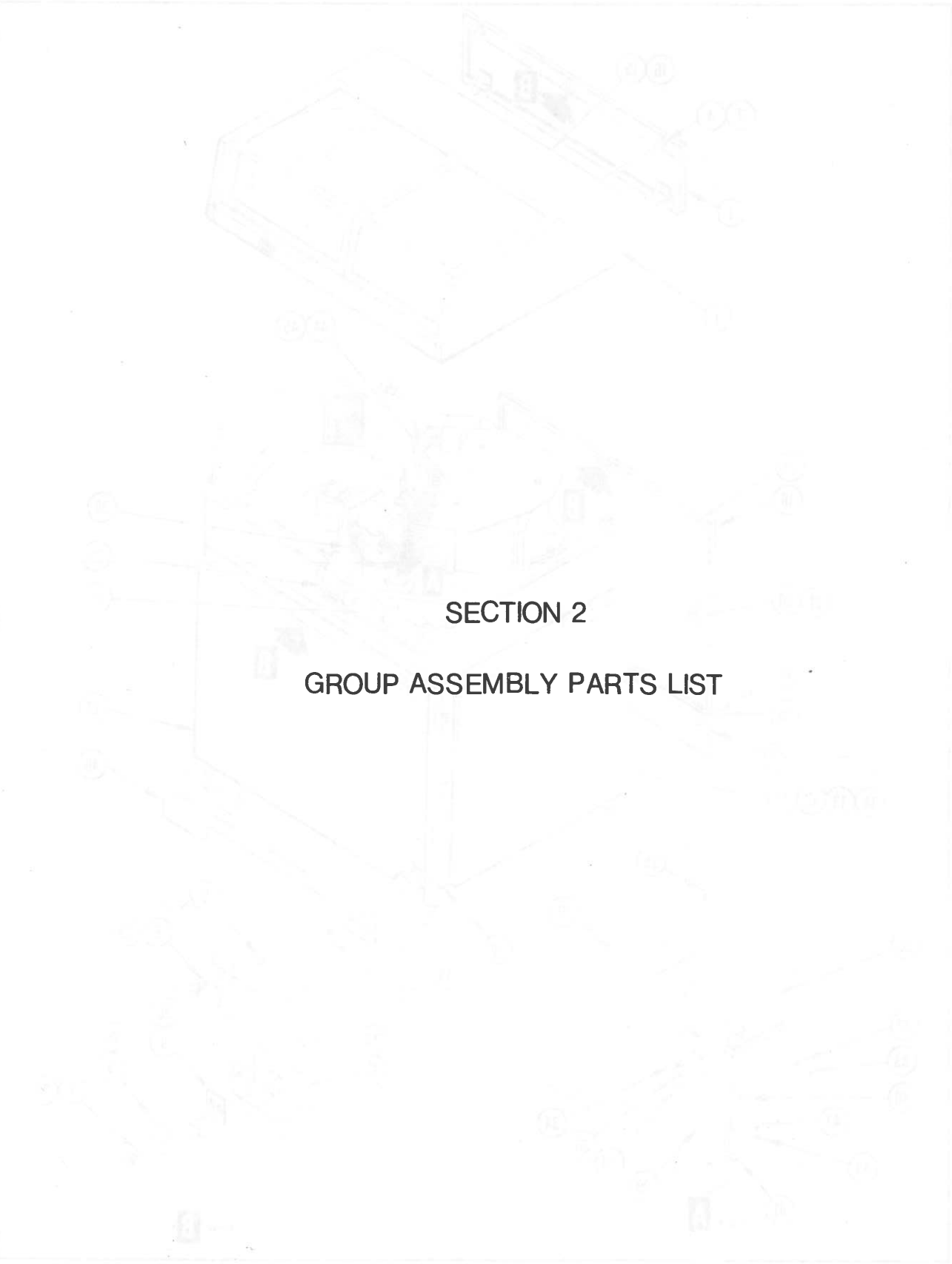
Faint, illegible text at the top of the page, possibly a header or title.

Second section of faint, illegible text in the middle of the page.

Third section of faint, illegible text in the lower middle of the page.

Fourth section of faint, illegible text near the bottom of the page.





SECTION 2
GROUP ASSEMBLY PARTS LIST

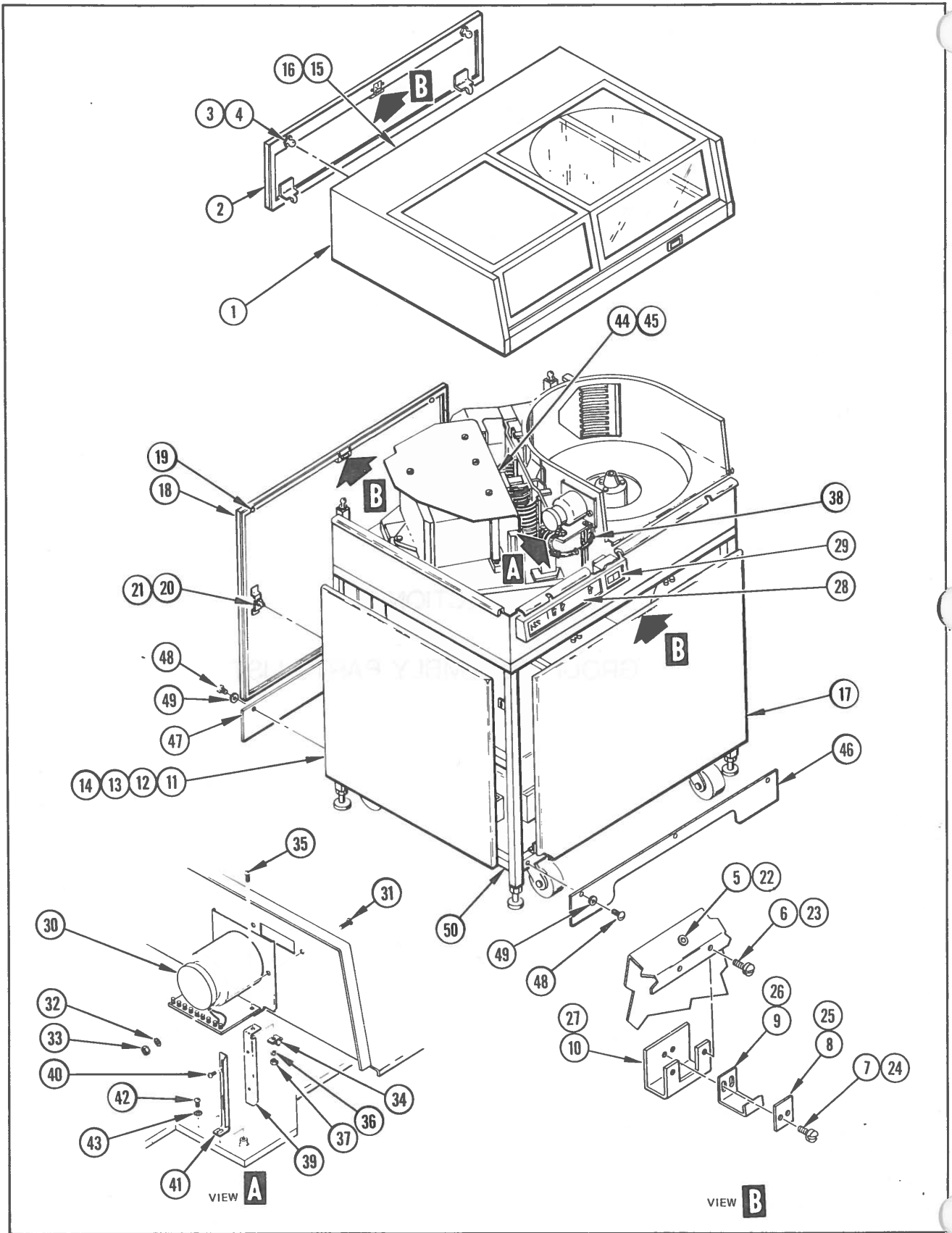
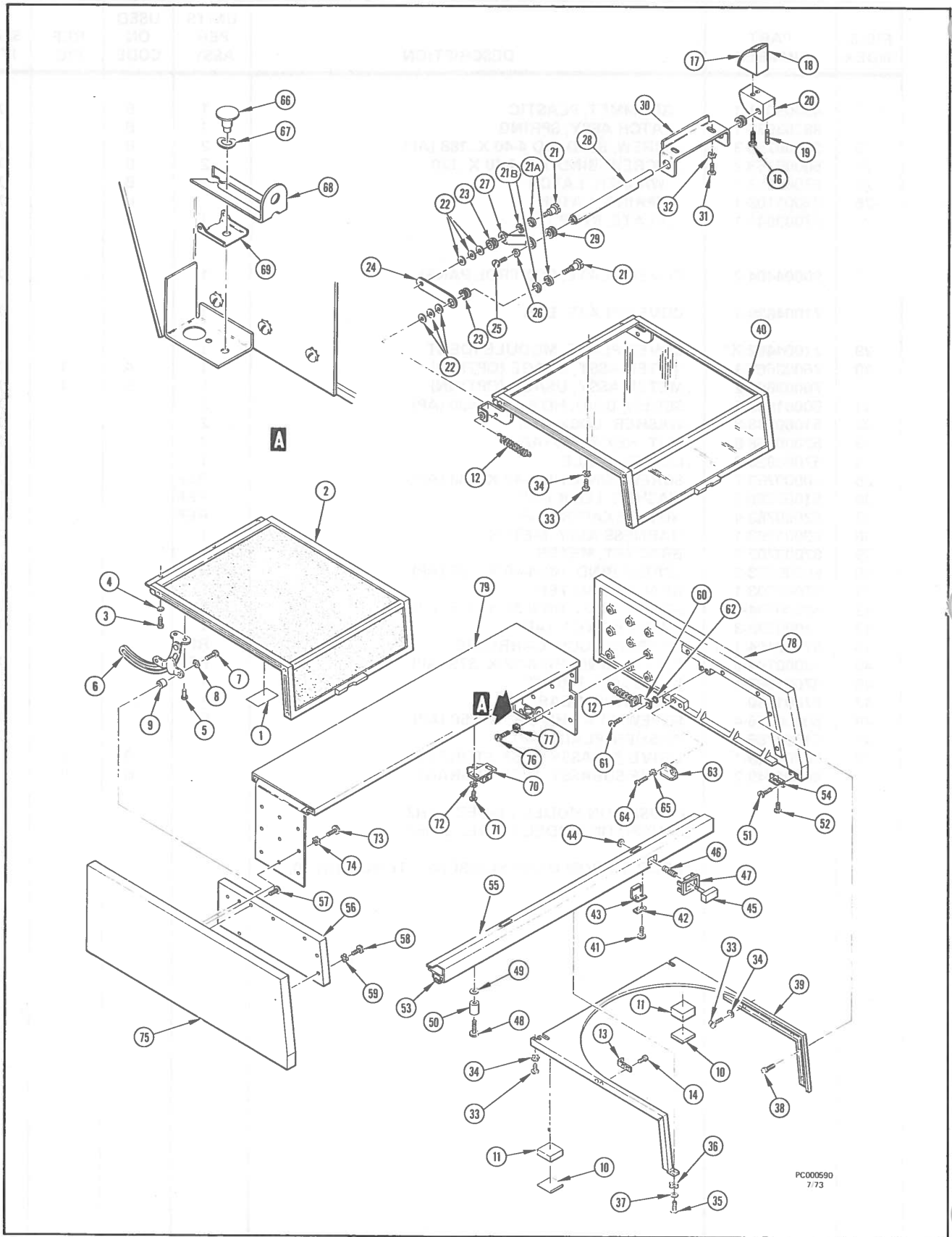


Figure 2-1. Model 715DEC Disk Storage Drive

FIG & INDEX	PART NUMBER	DESCRIPTION	UNITS PER ASSY	USED ON CODE	REF. FIG.	SPARE ITEM
1-	88004048-1	DISK STORAGE DRIVE ASSY, MODEL 715D 60 HZ	1	A		
	88004048-2	DISK STORAGE DRIVE ASSY, MODEL 715D 50 HZ	1	B		
-1	88000590-X	. COVER ASSY, TOP	1		2	X
-2	88000690-1	. COVER ASSY, TOP REAR	1	A		
	88000690-7	. COVER ASSY, TOP REAR BLACK D (OPTION)	AR	A		
	88003645-8	. COVER ASSY, TOP REAR BLACK D	1	B		
-3	87001281-1	.. STOP LATCH	2			
-4	51000788-3	.. WASHER, LOCK	2			X
-5	45003361-1	.. GROMMET, SPLIT PLASTIC	1	B		X
	88003637-1	.. LATCH ASSY, SPRING	1	B		
-6	50000753-3	.. SCREW, BIND. HD 4-40 X. 188 (AP)	2	B		X
-7	50000753-2	... SCREW, BIND. HD 4-40 X. 120	2	B		X
-8	87001313-1	... WASHER, LATCH	1	B		X
-9	87001108-1	... SPRING, LATCH	1	B		X
-10	87003641-1	... PLATE, STOP	1	B		
-11	88000689-7	. COVER ASSY, SIDE GRAY D	2			
-12	50000755-6	. SCREW, BIND. HD 8-32 X.375 (AP)	4			X
-13	51001972-2	. WASHER, DISHED (AP)	4			X
-14	45001085-1	.. BUMPER, RUBBER	2			
-15	87003640-1	. PLATE, LOCK	1	B		
-16	50000753-2	. SCREW, BIND. HD 4-40 X.120 (AP)	2	B		X
-17	88000691-1	. COVER ASSY, FRONT BLUE	1	A		
	88000691-2	. COVER ASSY, FRONT RED (OPTION)	AR	A		
	88000691-3	. COVER ASSY, FRONT YELLOW (OPTION)	AR	A		
	88000691-4	. COVER ASSY, FRONT GRAY (OPTION)	AR	A		
	88000691-11	. COVER ASSY, FRONT BLACK D (OPTION)	AR	A		
	88003647-2	. COVER ASSY, FRONT TOOL OPERATED WHITE	1	B		
	88003647-3	. COVER ASSY, FRONT TOOL OPERATED BLUE (OPTION)	AR	B		
	88003647-4	. COVER ASSY, FRONT TOOL OPERATED RED (OPTION)	AR	B		
	88003647-5	. COVER ASSY, FRONT TOOL OPERATED YELLOW (OPTION)	AR	B		
	88003647-6	. COVER ASSY, FRONT TOOL OPERATED GRAY (OPTION)	AR	B		
	88003647-7	. COVER ASSY, FRONT TOOL OPERATED BLACK (OPTION)	AR	B		
-18	88000692-1	. COVER ASSY, REAR BLUE	1	A		
	88000692-2	. COVER ASSY, REAR RED (OPTION)	AR	A		
	88000692-3	. COVER ASSY, REAR YELLOW (OPTION)	AR	A		
	88000692-4	. COVER ASSY, REAR GRAY (OPTION)	AR	A		
	88000692-11	. COVER ASSY, REAR BLACK D (OPTION)	AR	A		
	88003646-2	. COVER ASSY, REAR TOOL OPERATED WHITE	1	B		
	88003646-3	. COVER ASSY, REAR TOOL OPERATED BLUE (OPTION)	AR	B		
	88003646-4	. COVER ASSY, REAR TOOL OPERATED RED (OPTION)	AR	B		
	88003646-5	. COVER ASSY, REAR TOOL OPERATED YELLOW (OPTION)	AR	B		
	88003646-6	. COVER ASSY, REAR TOOL OPERATED GRAY (OPTION)	AR	B		
	88003646-7	. COVER ASSY, REAR TOOL OPERATED BLACK (OPTION)	AR	B		
-19	45001085-1	.. BUMPER, RUBBER	4			
-20	87000816-1	.. STOP, LATCH	2	A		
	87001281-1	.. STOP, LATCH	2	B		
-21	51000788-3	.. WASHER, LOCK	2			X

FIG. NO.	PART NUMBER	DESCRIPTION	UNITS PER ASSY	UNITS ON DRAWING	REF. FILE	SPARE ITEM
1	8000001	WASHER - CK	1	1		
2	8000002	BRACKET - L/X/2/2/2	1	1		
3	8000003	SPRING ASSY - WRING	1	1		
4	8000004	SCREW BIND. HT. 40X 100 L	1	1		
5	8000005	SCREW BIND HT. 40X 100	1	1		
6	8000006	WASHER LATCH	1	1		
7	8000007	W/NG LATCH	1	1		
8	8000008	PLATE TOP	1	1		
9	8000009	COVER ASSY. SIDE DRAW	1	1		
10	8000010	SCREW BIND HT. 40X 100	1	1		
11	8000011	WASHER - CK	1	1		
12	8000012	BRACKET - L/X/2/2/2	1	1		
13	8000013	SPRING ASSY - WRING	1	1		
14	8000014	SCREW BIND. HT. 40X 100 L	1	1		
15	8000015	SCREW BIND HT. 40X 100	1	1		
16	8000016	WASHER LATCH	1	1		
17	8000017	W/NG LATCH	1	1		
18	8000018	PLATE TOP	1	1		
19	8000019	COVER ASSY. SIDE DRAW	1	1		
20	8000020	SCREW BIND HT. 40X 100	1	1		
21	8000021	WASHER - CK	1	1		
22	8000022	BRACKET - L/X/2/2/2	1	1		
23	8000023	SPRING ASSY - WRING	1	1		
24	8000024	SCREW BIND. HT. 40X 100 L	1	1		
25	8000025	SCREW BIND HT. 40X 100	1	1		
26	8000026	WASHER LATCH	1	1		
27	8000027	W/NG LATCH	1	1		
28	8000028	PLATE TOP	1	1		
29	8000029	COVER ASSY. SIDE DRAW	1	1		
30	8000030	SCREW BIND HT. 40X 100	1	1		
31	8000031	WASHER - CK	1	1		
32	8000032	BRACKET - L/X/2/2/2	1	1		
33	8000033	SPRING ASSY - WRING	1	1		
34	8000034	SCREW BIND. HT. 40X 100 L	1	1		
35	8000035	SCREW BIND HT. 40X 100	1	1		
36	8000036	WASHER LATCH	1	1		
37	8000037	W/NG LATCH	1	1		
38	8000038	PLATE TOP	1	1		
39	8000039	COVER ASSY. SIDE DRAW	1	1		
40	8000040	SCREW BIND HT. 40X 100	1	1		
41	8000041	WASHER - CK	1	1		
42	8000042	BRACKET - L/X/2/2/2	1	1		
43	8000043	SPRING ASSY - WRING	1	1		
44	8000044	SCREW BIND. HT. 40X 100 L	1	1		
45	8000045	SCREW BIND HT. 40X 100	1	1		
46	8000046	WASHER LATCH	1	1		
47	8000047	W/NG LATCH	1	1		
48	8000048	PLATE TOP	1	1		
49	8000049	COVER ASSY. SIDE DRAW	1	1		
50	8000050	SCREW BIND HT. 40X 100	1	1		
51	8000051	WASHER - CK	1	1		
52	8000052	BRACKET - L/X/2/2/2	1	1		
53	8000053	SPRING ASSY - WRING	1	1		
54	8000054	SCREW BIND. HT. 40X 100 L	1	1		
55	8000055	SCREW BIND HT. 40X 100	1	1		
56	8000056	WASHER LATCH	1	1		
57	8000057	W/NG LATCH	1	1		
58	8000058	PLATE TOP	1	1		
59	8000059	COVER ASSY. SIDE DRAW	1	1		
60	8000060	SCREW BIND HT. 40X 100	1	1		
61	8000061	WASHER - CK	1	1		
62	8000062	BRACKET - L/X/2/2/2	1	1		
63	8000063	SPRING ASSY - WRING	1	1		
64	8000064	SCREW BIND. HT. 40X 100 L	1	1		
65	8000065	SCREW BIND HT. 40X 100	1	1		
66	8000066	WASHER LATCH	1	1		
67	8000067	W/NG LATCH	1	1		
68	8000068	PLATE TOP	1	1		
69	8000069	COVER ASSY. SIDE DRAW	1	1		
70	8000070	SCREW BIND HT. 40X 100	1	1		
71	8000071	WASHER - CK	1	1		
72	8000072	BRACKET - L/X/2/2/2	1	1		
73	8000073	SPRING ASSY - WRING	1	1		
74	8000074	SCREW BIND. HT. 40X 100 L	1	1		
75	8000075	SCREW BIND HT. 40X 100	1	1		
76	8000076	WASHER LATCH	1	1		
77	8000077	W/NG LATCH	1	1		
78	8000078	PLATE TOP	1	1		
79	8000079	COVER ASSY. SIDE DRAW	1	1		
80	8000080	SCREW BIND HT. 40X 100	1	1		
81	8000081	WASHER - CK	1	1		
82	8000082	BRACKET - L/X/2/2/2	1	1		
83	8000083	SPRING ASSY - WRING	1	1		
84	8000084	SCREW BIND. HT. 40X 100 L	1	1		
85	8000085	SCREW BIND HT. 40X 100	1	1		
86	8000086	WASHER LATCH	1	1		
87	8000087	W/NG LATCH	1	1		
88	8000088	PLATE TOP	1	1		
89	8000089	COVER ASSY. SIDE DRAW	1	1		
90	8000090	SCREW BIND HT. 40X 100	1	1		
91	8000091	WASHER - CK	1	1		
92	8000092	BRACKET - L/X/2/2/2	1	1		
93	8000093	SPRING ASSY - WRING	1	1		
94	8000094	SCREW BIND. HT. 40X 100 L	1	1		
95	8000095	SCREW BIND HT. 40X 100	1	1		
96	8000096	WASHER LATCH	1	1		
97	8000097	W/NG LATCH	1	1		
98	8000098	PLATE TOP	1	1		
99	8000099	COVER ASSY. SIDE DRAW	1	1		
100	8000100	SCREW BIND HT. 40X 100	1	1		

FIG & INDEX	PART NUMBER	DESCRIPTION	UNITS PER ASSY	USED ON CODE	REF. FIG.	SPARE ITEM
1-22	45003361-1	.. GROMMET, PLASTIC	1	B		X
	88003637-1	.. LATCH ASSY, SPRING	1	B		
-23	50000753-3	.. SCREW, BIND. HD 4-40 X .188 (AP)	2	B		X
-24	50000753-2	... SCREW, BIND. HD 4-40 X .120	2	B		X
-25	87001313-1	... WASHER, LATCH	1	B		X
-26	87001108-1	... SPRING, LATCH	1	B		X
-27	87003641-1	... PLATE, STOP	1	B		
-28	90004404-2	. COVER PLATE, CONTROL PANEL	1			X
	71004639-1	. COVER PLATE, DEC	1			X
-29	71004462-X*	. COVER PLATE, MODULE IDENT	1			
-30	76003669-1	. METER ASSY, USAGE (OPTION)	1	A	4	X
	76003669-2	. METER ASSY, USAGE (OPTION)	1	B	4	X
-31	50001093-3	. SCREW, BIND. HD 8-32 X .430 (AP)	2			X
-32	51000788-3	. WASHER, LOCK (AP)	2			X
-33	52000798-8	. NUT, HEXAGON (AP)	2			X
-34	57000825-3	. CLAMP, CABLE	1			X
-35	50000753-7	. SCREW, BIND. HD 4-40 X .438 (AP)	REF			X
-36	51000786-2	. WASHER, LOCK (AP)	REF			X
-37	52000783-4	. NUT, HEXAGON (AP)	REF			X
-38	83001263-1	. HARNESS ASSY, METER	1			X
-39	87003702-1	. BRACKET, METER	1			
-40	50000753-3	. SCREW, BIND. HD 4-40 X .180 (AP)	2			X
-41	87003703-1	. BRACKET, METER	1			
-42	53000794-6	. SCREW, BIND. HD 8-32 X .375 (AP)	1			X
-43	51000788-3	. WASHER, LOCK (AP)	1			X
-44	87002104-1	. SHIPPING LOCK, CARRIAGE	REF			
-45	53000794-6	. SCREW, BIND. HD 8-32 X .375 (AP)	REF			X
-46	87001067-1	. KICKSTRIP, FRONT	1			
-47	87001080-1	. KICKSTRIP, REAR	1			
-48	50000766-4	. SCREW, FLAT HD 6-32 X .250 (AP)	6			X
-49	51000786-4	. WASHER, PLAIN (AP)	6			X
-50	88004049-1	. DRIVE SUBASSY, DISK STORAGE	1	A	5	
	88004049-2	. DRIVE SUBASSY, DISK STORAGE	1	B	5	
		A = USED ON MODEL 715DEC 60-HZ				
		B = USED ON MODEL 715DEC 50-HZ				
		*SELECT FROM DASH NUMBERS 1 THRU 7 OR 10.				

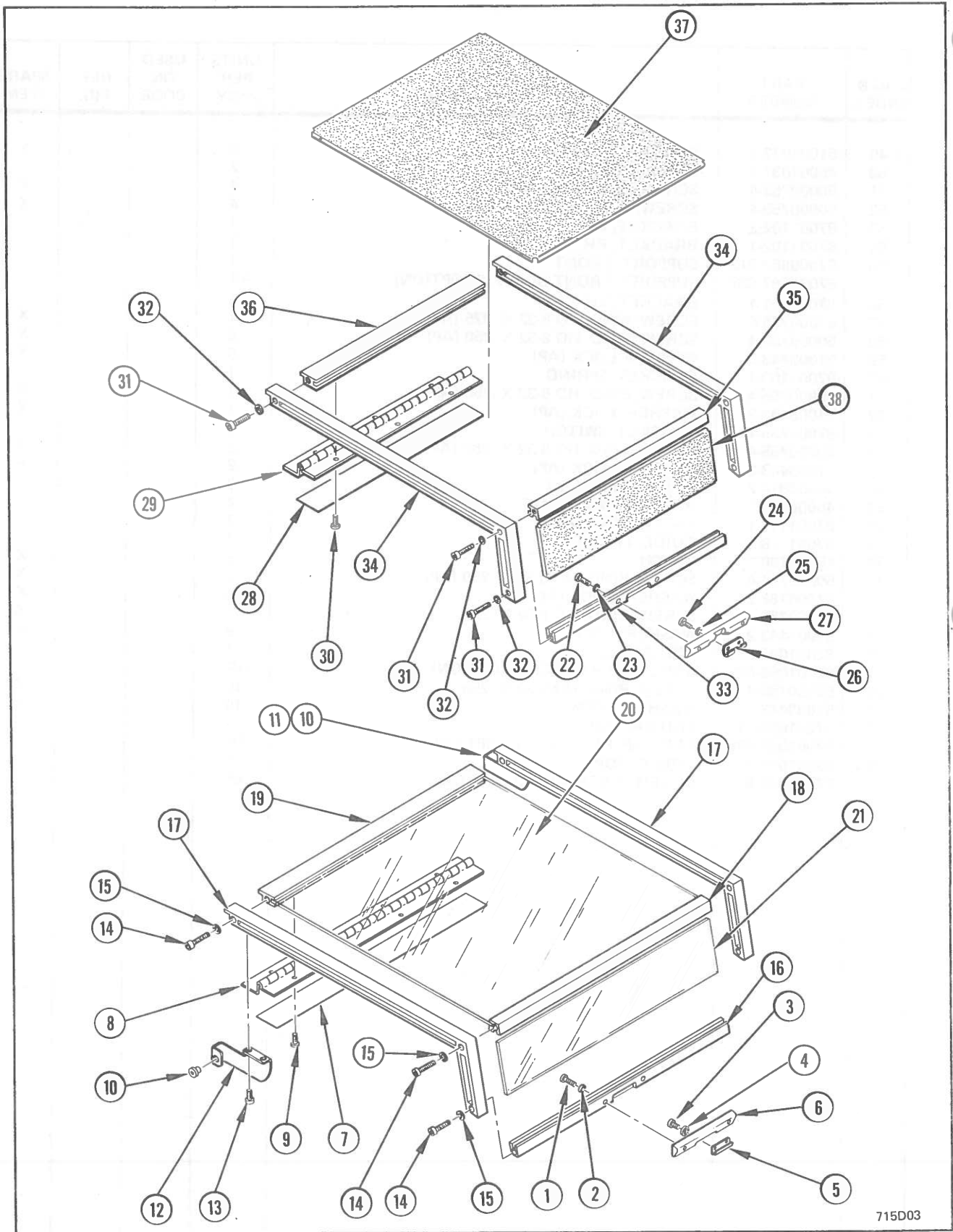


PC000590
7/73

Figure 2-2. Top Cover

FIG & INDEX	PART NUMBER	DESCRIPTION	UNITS PER ASSY	USED ON CODE	REF. FIG.	SPARE ITEM
2-	88000590-2	COVER ASSY, TOP	REF		1	X
	88000590-9	COVER ASSY, TOP BLACK D (OPTION)	REF		1	X
-1	71004140-1	. DECAL, HEAD NOTICE	1			
-2	88000593-1	. DOOR ASSY, TOP COVER LH WHT	1		3	X
	88000593-5	. DOOR ASSY, TOP COVER LH BLACK D	AR		3	X
-3	50000755-4	. SCREW, BIND. HD 8-32 X .250 (AP)	3			X
-4	51003443-2	. WASHER, LOCK (AP)	3			X
-5	50000753-5	. SCREW, BIND. HD 4-40 X .312 (AP)	2			X
-6	45001188-1	. SUPPORT, FRICTION LID	1			X
-7	50000755-6	. SCREW, BIND. HD 8-32 X .375 (AP)	2			X
-8	51003443-2	. WASHER, LOCK (AP)	2			X
-9	45001037-8	. SPACER, ROUND	2			
-10	87001359-1	. COVER, BUMPER	2			
-11	87001358-1	. BUMPER, DOOR	2			
-12	47001100-1	. SPRING, DOOR	2			X
-13	87001114-1	. BRACKET, SPRING	1			
-14	50000755-4	. SCREW, BIND. HD 8-32 X .250 (AP)	2			X
-15		DELETED				
	88001352-1	. BRAKE ASSY, DOOR	1			X
-16	50000771-8	. SCREW, SOC HD 4-40 X .500 (AP)	2			X
-17	87001349-1	. . PAD, BRAKE	1			
-18	87001350-1	. . BASE, BRAKE	1			
-19	50000371-2	. SETSCREW	2			X
-20	87001340-1	. CAM, PLUNGER	1			X
-21	45001351-1	. SCREW, SHOULDER	2			X
-21A	51006734-6	. WASHER, PLAIN				
-22B	51015345-1	. WASHER, SPRING				
-22	51000786-8	. WASHER, PLAIN	6			X
-23	46000881-1	. BEARING, SNAP-IN	2			X
-24	87001344-1	. LINK, CAM	1			
-25	50000754-8	. SCREW, BIND. HD 6-32 X .500	1			X
-26	51000788-2	. WASHER, LOCK	1			X
-27	87001343-1	. ARM, SHAFT	1			
-28	87001342-1	. SHAFT, CAM	1			
-29	46000881-1	. BEARING, SNAP-IN	2			X
-30	87001345-1	. BRACKET, SHAFT	1			
-31	50000755-6	. SCREW, BIND. HD 8-32 X .375 (AP)	2			X
-32	51003443-2	. WASHER, LOCK (AP)	2			X
-33	50000755-4	. SCREW, BIND. HD 8-32 X .250	4			X
-34	51003443-2	. WASHER, LOCK	4			X
-35	50000753-5	. SCREW, BIND. HD 4-40 X .312	2			X
-36	51001972-1	. WASHER, DISHED	2			X
-37	54000799-3	. WASHER, PLAIN	2			X
-38	50000755-4	. SCREW, BIND. HD 8-32 X .250	4			X
-39	87001098-1	. PAN, SHROUD	1			
-40	88000591-1	. DOOR ASSY, TOP COVER RH WHT	1		3	X
	88000591-5	. DOOR ASSY, TOP COVER RH BLACK D	AR		3	X
-41	50000753-4	. SCREW, BIND. HD 4-40 X .250	4			X
-42	87001313-1	. WASHER, LATCH	2			X
-43	87001108-1	. SPRING, LATCH	2			X
-44	45001112-1	. RING, RETAINING	1			X
-45	87001104-1	. BUTTON, LATCH	1			X
-46	47001362-1	. SPRING, COMPRESSION	1			X
-47	87001709-1	. BEZEL, BUTTON	1			
-48	50000753-10	. SCREW, BIND. HD 4-40 X .625	2			X

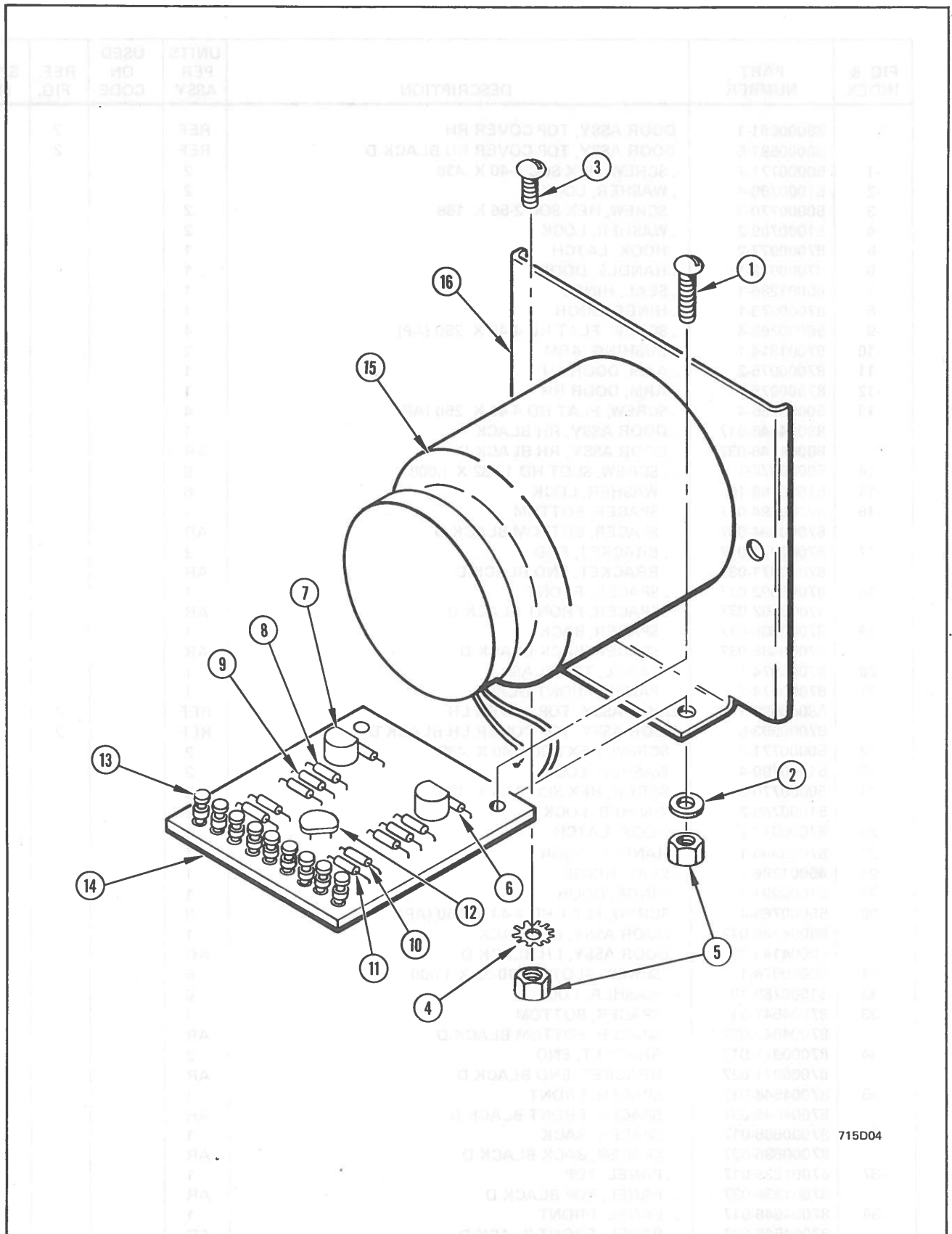
FIG & INDEX	PART NUMBER	DESCRIPTION	UNITS PER ASSY	USED ON CODE	REF. FIG.	SPARE ITEM
2-49	51001972-1	. WASHER, DISHED	2			X
-50	45001037-2	. SPACER, ROUND	2			
-51	50000753-4	. SCREW, BIND. HD 4-40 X .250	4			X
-52	50000755-4	. SCREW, BIND. HD 8-32 X .250	4			X
-53	87001102-2	. BRACKET, LH	1			
-54	87001102-1	. BRACKET, RH	1			
-55	87000687-012	. SUPPORT, FRONT	1			
	87000687-037	. SUPPORT, FRONT BLACK D (OPTION)	AR			
-56	87001101-1	. BRACKET, LH	1			
-57	50000755-6	. SCREW, BIND. HD 8-32 X .375 (AP)	1			X
-58	50000755-4	. SCREW, BIND. HD 8-32 X .250 (AP)	5			X
-59	51003443-2	. WASHER, LOCK (AP)	5			X
-60	87001103-1	. BRACKET, SPRING	1			
-61	50000755-4	. SCREW, BIND. HD 8-32 X .250 (AP)	1			X
-62	51003443-2	. WASHER, LOCK (AP)	1			X
-63	87001735-1	. BRACKET, SWITCH	1			
-64	50000755-4	. SCREW, BIND. HD 8-32 X .250 (AP)	2			X
-65	51003443-2	. WASHER, LOCK (AP)	2			X
-66	45000814-2	. RIVET, SNAPSLIDE	2			
-67	45000813-1	. WASHER, SNAPSLIDE	2			
-68	87001117-1	. LATCH, SNAPSLIDE	2			
-69	87001118-1	. GUIDE, LATCH	2			
-70	45001190-1	. CATCH	2			X
-71	50000754-4	. SCREW, BIND. HD 6-32 X .250 (AP)	4			X
-72	51000788-2	. WASHER, LOCK (AP)	4			X
-73	50000755-4	. SCREW, BIND. HD 8-32 X .250	9			X
-74	51003443-2	. WASHER, LOCK	9			X
-75	87001096-012	. END CAP, LH	1			
	87001096-036	. END CAP, LH BLACK D (OPTION)	AR			
-76	50000755-4	. SCREW, BIND. HD 8-32 X .250	10			X
-77	51003443-2	. WASHER, LOCK	10			X
-78	87001095-012	. END CAP, RH	1			
	87001095-036	. END CAP, RH BLACK D (OPTION)	AR			
-79	87001097-2	. COVER, TOP	1			
	87001097-8	. COVER, TOP BLACK D (OPTION)	AR			



715D03

Figure 2-3. Top Cover Doors

FIG. & INDEX	PART NUMBER	DESCRIPTION	UNITS PER ASSY	USED ON CODE	REF. FIG.	SPARE ITEM
3-	88000591-1	DOOR ASSY, TOP COVER RH	REF		2	X
	88000591-5	DOOR ASSY, TOP COVER RH BLACK D	REF		2	X
-1	50000771-7	. SCREW, HEX SOC 4-40 X .438	2			X
-2	51000790-4	. WASHER, LOCK	2			X
-3	50000770-3	. SCREW, HEX SOC 2-56 X .188	2			X
-4	51000789-2	. WASHER, LOCK	2			X
-5	87000977-2	. HOOK, LATCH	1			X
-6	87000972-1	. HANDLE, DOOR	1			X
-7	45001286-1	. SEAL, HINGE	1			
-8	87000973-1	. HINGE, DOOR	1			
-9	50000765-4	. SCREW, FLAT HD 4-40 X .250 (AP)	4			X
-10	87001314-1	. BUSHING, ARM	2			X
-11	87000975-2	. ARM, DOOR LH	1			
-12	87000975-1	. ARM, DOOR RH	1			
-13	50000765-4	. SCREW, FLAT HD 4-40 X .250 (AP)	4			X
	88004148-017	. DOOR ASSY, RH BLACK	1			
	88004148-037	. DOOR ASSY, RH BLACK D	AR			
-14	50000978-1	.. SCREW, SLOT HD 10-32 X 1.000	6			X
-15	51000789-10	.. WASHER, LOCK	6			X
-16	87000594-017	.. SPACER, BOTTOM	1			
	87000594-037	.. SPACER, BOTTOM BLACK D	AR			
-17	87000971-017	.. BRACKET, END	2			
	87000971-037	.. BRACKET, END BLACK D	AR			
-18	87000592-017	.. SPACER, FRONT	1			
	87000592-037	.. SPACER, FRONT BLACK D	AR			
-19	87000685-017	.. SPACER, BACK	1			
	87000685-037	.. SPACER, BACK BLACK D	AR			
-20	87000974-1	.. PANEL, TOP GLASS	1			
-21	87000974-2	.. PANEL, FRONT GLASS	1			
	88000593-1	DOOR ASSY, TOP COVER LH	REF		2	X
	87000593-5	DOOR ASSY, TOP COVER LH BLACK D	REF		2	X
-22	50000771-7	. SCREW, HEX SOC 4-40 X .438	2			X
-23	51000790-4	. WASHER, LOCK	2			X
-24	50000770-3	. SCREW, HEX SOC 2-56 X .188	2			X
-25	51000789-2	. WASHER, LOCK	2			X
-26	87000977-2	. HOOK, LATCH	1			X
-27	87000990-1	. HANDLE, DOOR	1			X
-28	45001286-1	. SEAL, HINGE	1			
-29	87000991-1	. HINGE, DOOR	1			
-30	50000765-4	. SCREW, FLAT HD 4-40 X .250 (AP)	3			X
	88004149-017	. DOOR ASSY, LH BLACK	1			
	88004149-037	. DOOR ASSY, LH BLACK D	AR			
-31	50000978-1	.. SCREW, SLOT HD 10-32 X 1.000	6			X
-32	51000789-10	.. WASHER, LOCK	6			X
-33	87004547-017	.. SPACER, BOTTOM	1			
	87004547-037	.. SPACER, BOTTOM BLACK D	AR			
-34	87000971-017	.. BRACKET, END	2			
	87000971-037	.. BRACKET, END BLACK D	AR			
-35	87004548-017	.. SPACER, FRONT	1			
	87004548-037	.. SPACER, FRONT BLACK D	AR			
-36	87000686-017	.. SPACER, BACK	1			
	87000686-037	.. SPACER, BACK BLACK D	AR			
-37	87001236-017	.. PANEL, TOP	1			
	87001236-037	.. PANEL, TOP BLACK D	AR			
-38	87004546-017	.. PANEL, FRONT	1			
	87004546-037	.. PANEL, FRONT BLACK D	AR			



715D04

Figure 2-4. Usage Meter Assembly

FIG & INDEX	PART NUMBER	DESCRIPTION	UNITS PER ASSY	USED ON CODE	REF. FIG.	SPARE ITEM
4-	76003669-1	METER ASSY, USAGE (OPTION)	REF	A	1	X
	76003669-2	METER ASSY, USAGE (OPTION)	REF	B	1	X
	75003650-1	. BOARD ASSY, METER PC	1			
-1	50000753-7	. SCREW, BIND. HD 4-40 X .438 (AP)	1			X
-2	51000786-2	. WASHER, LOCK (AP)	1			
-3	50000753-5	. SCREW, BIND. HD 4-40 X .312 (AP)	1			X
-4	51000788-1	. WASHER, LOCK (AP)	2			X
-5	52000783-1	. NUT, HEXAGON (AP)	2			X
-6	10000440-1	.. DIODE, (1D1,5D1,9D1,13D1)	4			
-7	13001134-1	.. DIODE, (2D2,10D2)	2			
-8	16000023-49	.. RESISTOR, FILM 1.0K 1/4W ±2PCT (3R1,11R1, 14R1,15R1)	4			
-9	16000023-81	.. RESISTOR, FILM 22K 1/4W ±2PCT (4R3,12R3)	2			
-10	16000023-68	.. RESISTOR, FILM 6.2K 1/4W ±2PCT (6R2)	1			
-11	16000023-82	.. RESISTOR, FILM 24K 1/4W ±2PCT (7R4)	1			
-12	25000453-1	.. TRANSISTOR (8Q1)	1			
-13	45001261-1	.. TERMINAL	9			
-14	74003650-1	.. BOARD, METER	1			
-15	76003668-1	. METER, USAGE (60-HZ)	1	A		
	76003668-2	. METER, USAGE (50-HZ)	1	B		
-16	87003651-1	. BRACKET, METER	1			
		A = USED ON MODEL 715DEC 60-HZ B = USED ON MODEL 715DEC 50-HZ				

FIG & INDEX	PART NUMBER	DESCRIPTION	UNITS PER ASSY	USED ON CODE	REF. FIG.	SPARE ITEM
5-	88004049-1	DRIVE ASSY, DISK STORAGE	REF	A	1	
	88004049-2	DRIVE ASSY, DISK STORAGE	REF	B	1	
-1	75000065-2	. PRINTED WIRING ASSY (PWA), MATRIX	2	C	6	X
	75000065-3	. PRINTED WIRING ASSY (PWA), MATRIX	2	D	6	X
-2	53000792-8	. SCREW, BIND. HD 4-40 X .500	4			X
-3	87001833-1	. DUCT, ELECTRO-MAGNETIC ACTUATOR (EMA) AIR	1			
-4	53000793-4	. SCREW, BIND. HD 6-32 X .250 (AP)	3			X
-4A	54000799-5	. WASHER, FLAT	1			X
-5	87001844-1	. COVER, EMA	1			
-6	53000794-8	. SCREW, BIND. HD 8-32 X .500 (AP)	5			X
-7	87001886-1	. STANDOFF	2			
-8	87001886-2	. STANDOFF	1			
-9	88001840-1	. AIR DEFLECTOR ASSY	1		7	
-10	53000794-6	. SCREW, BIND. HD 8-32 X .375 (AP)	4			X
-11	87001878-1	. SHROUD	1			
-12	50001290-1	. SCREW, BIND. HD 4-40 X .250 (AP)	4			X
	88002117-1	. GROUND ASSY, CARRIAGE	1			
-13	53000792-2	. SCREW, BIND. HD 4-40 X .125 (AP)	1			X
-14	51000788-1	. WASHER, LOCK (AP)	1			X
-15	53000796-8	. SCREW, HEX SOC 4-40 X .500 (AP)	1			X
-16	54006766-1	. WASHER, FLAT (AP)	1			X
-17	57002121-1	.. TERMINAL	1			
-18	53000791-2	.. SCREW, BIND. HD 2-56 X .125	1			X
-19	99000515-1	.. CLAMP, CABLE SPRING	1			
-20	99000514-3	.. SPRING, CABLE	1			
-21	99000744-1	.. CABLE, GROUND	1			
-22	87002116-1	.. MOUNT, CARRIAGE GROUND	1			
-23	99004026-1	. HEAD ASSY, AD 29-19015	5			X
-24	99004027-1	. HEAD ASSY, AU 29-19014	5			X
-25	99004025-1	. HEAD ASSY, BU 29-19016	5			X
-26	99004024-1	. HEAD ASSY, BD 29-19017	5			X
-27	53000796-8	. SCREW, HEX SOC 4-40 X .500 (AP)	20			X
-28	54006766-1	. WASHER, FLAT (AP)	20			X
-29	57000997-4	. MOUNT, CABLE TIE	4			
-30	50001266-6	. SCREW, ROUND HD 8-32 X .375 (AP)	4			X
-31	52000798-8	. NUT, HEXAGON	1			X
-32	51000787-4	. WASHER, LOCK	1			X
-33	88000682-1	. SKIRT ASSY, REAR	1			
-34	53000794-6	. SCREW, BIND. HD 8-32 X .375 (AP)	5			X
-35	51001972-2	. WASHER, DISHED (AP)	5			X
-36	46000881-1	.. BEARING, SNAP-IN	2			X
-37	87000944-1	.. STUD	2			X
-38	51000788-5	.. WASHER, LOCK	2			X
-39	52000784-25	.. NUT, HEXAGON	2			X
-40	45000831-1	. CLAMP, DUCT	1			X
	88001829-1	. DUCT ASSY, BLOWER	1			
-41	53000794-6	. SCREW, BIND. HD 8-32 X .375 (AP)	3			X
-42	45000831-1	.. CLAMP, DUCT	1			X
-43	87001831-2	.. DUCT, BLOWER EXIT	1			X
-44	87001832-1	.. DUCT, SHROUD INLET	1			
-45	50000755-6	. SCREW, BIND. HD 8-32 X .375	1			X
-46	51000788-3	. WASHER, LOCK	1			X
-47	88001801-5	. BASEPLATE ASSY	1	A	8,9	
	88001801-6	. BASEPLATE ASSY	1	B	8,9	
-48	50000780-24	. SCREW, HEX HD 3/8 X 1.500 (AP)	4			X
-49	51000789-38	. WASHER, LOCK HELICAL (AP)	4			X
-50	88000683-1	. COVER ASSY, SEQUENCE PANEL	1			
-51	45000829-2	.. PLUNGER	2			X
-52	45000830-2	.. GROMMET	2			X

FIG 5 INDEX	PART NUMBER	DESCRIPTION	UNITS PER ASSY	USED ON CODE	REF. FIG.	SPARE ITEM
83	4800800-1	GROUND	2			X
82	4800800-2	CONNECT	2			X
81	4800800-3	COVER ASSY. OF DEVICE PANEL	1			X
80	4800800-4	WASHER LOCK (M)	1			X
79	4800800-5	WASHER LOCK (M)	1			X
78	4800800-6	WASHER LOCK (M)	1			X
77	4800800-7	WASHER LOCK (M)	1			X
76	4800800-8	WASHER LOCK (M)	1			X
75	4800800-9	WASHER LOCK (M)	1			X
74	4800800-10	WASHER LOCK (M)	1			X
73	4800800-11	WASHER LOCK (M)	1			X
72	4800800-12	WASHER LOCK (M)	1			X
71	4800800-13	WASHER LOCK (M)	1			X
70	4800800-14	WASHER LOCK (M)	1			X
69	4800800-15	WASHER LOCK (M)	1			X
68	4800800-16	WASHER LOCK (M)	1			X
67	4800800-17	WASHER LOCK (M)	1			X
66	4800800-18	WASHER LOCK (M)	1			X
65	4800800-19	WASHER LOCK (M)	1			X
64	4800800-20	WASHER LOCK (M)	1			X
63	4800800-21	WASHER LOCK (M)	1			X
62	4800800-22	WASHER LOCK (M)	1			X
61	4800800-23	WASHER LOCK (M)	1			X
60	4800800-24	WASHER LOCK (M)	1			X
59	4800800-25	WASHER LOCK (M)	1			X
58	4800800-26	WASHER LOCK (M)	1			X
57	4800800-27	WASHER LOCK (M)	1			X
56	4800800-28	WASHER LOCK (M)	1			X
55	4800800-29	WASHER LOCK (M)	1			X
54	4800800-30	WASHER LOCK (M)	1			X
53	4800800-31	WASHER LOCK (M)	1			X
52	4800800-32	WASHER LOCK (M)	1			X
51	4800800-33	WASHER LOCK (M)	1			X
50	4800800-34	WASHER LOCK (M)	1			X
49	4800800-35	WASHER LOCK (M)	1			X
48	4800800-36	WASHER LOCK (M)	1			X
47	4800800-37	WASHER LOCK (M)	1			X
46	4800800-38	WASHER LOCK (M)	1			X
45	4800800-39	WASHER LOCK (M)	1			X
44	4800800-40	WASHER LOCK (M)	1			X
43	4800800-41	WASHER LOCK (M)	1			X
42	4800800-42	WASHER LOCK (M)	1			X
41	4800800-43	WASHER LOCK (M)	1			X
40	4800800-44	WASHER LOCK (M)	1			X
39	4800800-45	WASHER LOCK (M)	1			X
38	4800800-46	WASHER LOCK (M)	1			X
37	4800800-47	WASHER LOCK (M)	1			X
36	4800800-48	WASHER LOCK (M)	1			X
35	4800800-49	WASHER LOCK (M)	1			X
34	4800800-50	WASHER LOCK (M)	1			X
33	4800800-51	WASHER LOCK (M)	1			X
32	4800800-52	WASHER LOCK (M)	1			X
31	4800800-53	WASHER LOCK (M)	1			X
30	4800800-54	WASHER LOCK (M)	1			X
29	4800800-55	WASHER LOCK (M)	1			X
28	4800800-56	WASHER LOCK (M)	1			X
27	4800800-57	WASHER LOCK (M)	1			X
26	4800800-58	WASHER LOCK (M)	1			X
25	4800800-59	WASHER LOCK (M)	1			X
24	4800800-60	WASHER LOCK (M)	1			X
23	4800800-61	WASHER LOCK (M)	1			X
22	4800800-62	WASHER LOCK (M)	1			X
21	4800800-63	WASHER LOCK (M)	1			X
20	4800800-64	WASHER LOCK (M)	1			X
19	4800800-65	WASHER LOCK (M)	1			X
18	4800800-66	WASHER LOCK (M)	1			X
17	4800800-67	WASHER LOCK (M)	1			X
16	4800800-68	WASHER LOCK (M)	1			X
15	4800800-69	WASHER LOCK (M)	1			X
14	4800800-70	WASHER LOCK (M)	1			X
13	4800800-71	WASHER LOCK (M)	1			X
12	4800800-72	WASHER LOCK (M)	1			X
11	4800800-73	WASHER LOCK (M)	1			X
10	4800800-74	WASHER LOCK (M)	1			X
9	4800800-75	WASHER LOCK (M)	1			X
8	4800800-76	WASHER LOCK (M)	1			X
7	4800800-77	WASHER LOCK (M)	1			X
6	4800800-78	WASHER LOCK (M)	1			X
5	4800800-79	WASHER LOCK (M)	1			X
4	4800800-80	WASHER LOCK (M)	1			X
3	4800800-81	WASHER LOCK (M)	1			X
2	4800800-82	WASHER LOCK (M)	1			X
1	4800800-83	WASHER LOCK (M)	1			X
0	4800800-84	WASHER LOCK (M)	1			X

FIG & INDEX	PART NUMBER	DESCRIPTION	UNITS PER ASSY	USED ON CODE	REF. FIG.	SPARE ITEM
5-53	88003386-3 88003386-4	. FRAME ASSY, DRIVE . FRAME ASSY, DRIVE A = USED ON MODEL 715DEC 60-HZ B = USED ON MODEL 715DEC 50-HZ C = USED ON EARLY CONFIGURATIONS D = USED ON LATE CONFIGURATIONS (DOWNWARD COMPATIBLE)	1 1	A B	19,20,21 19,20,21	

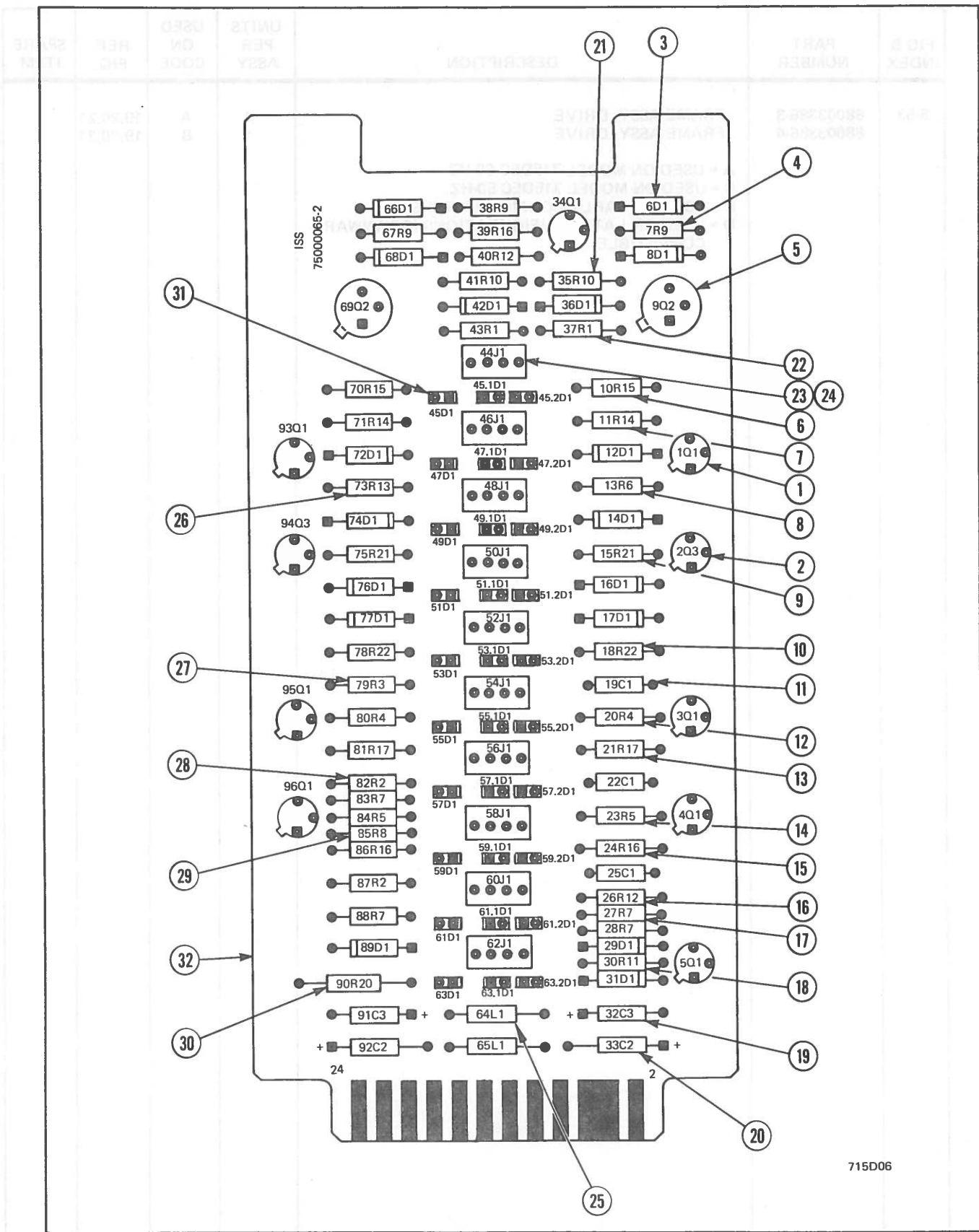
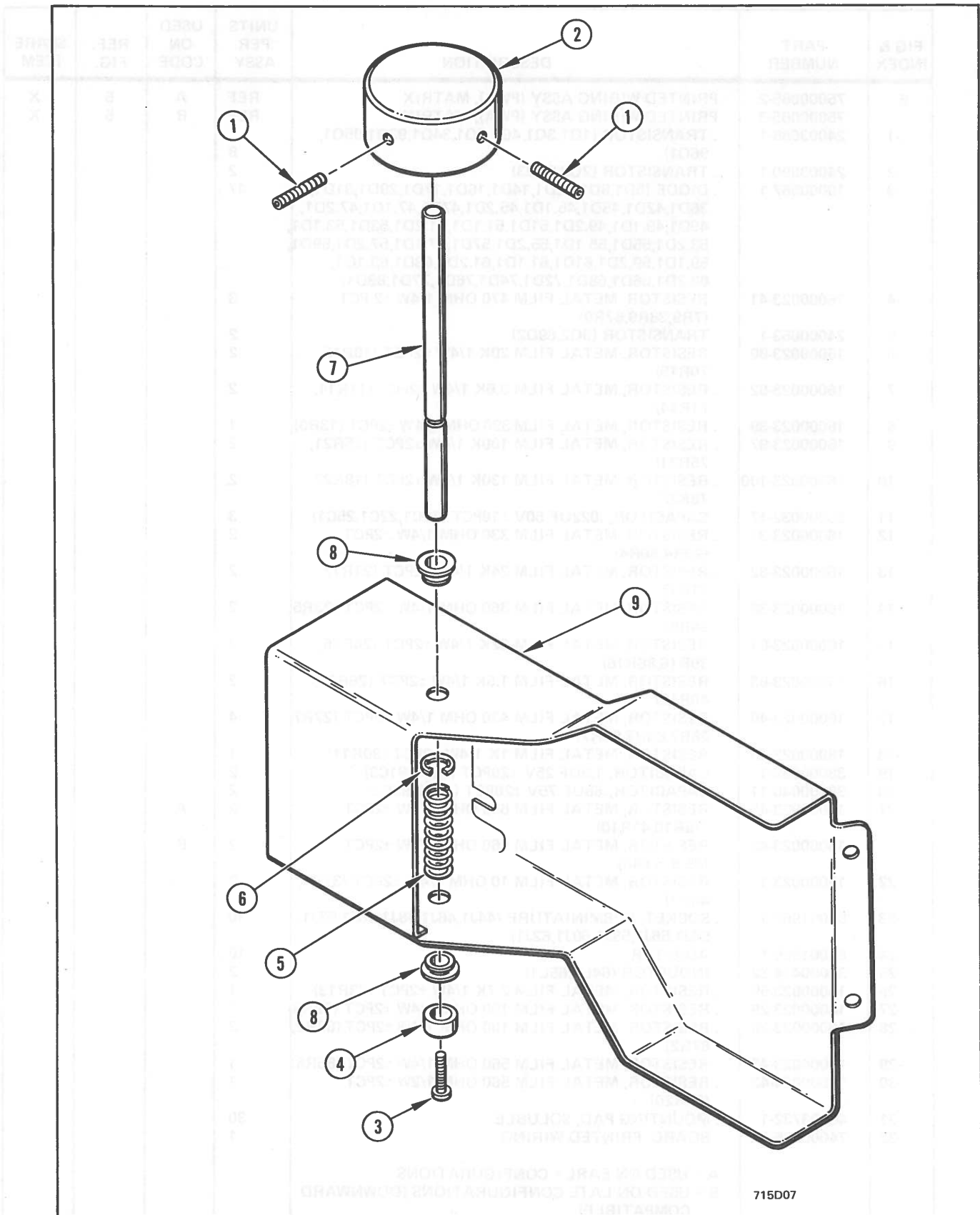


Figure 2-6. Matrix PWA

FIG & INDEX	PART NUMBER	DESCRIPTION	UNITS PER ASSY	USED ON CODE	REF. FIG.	SPARE ITEM
6-	75000065-2	PRINTED WIRING ASSY (PWA), MATRIX	REF	A	5	X
	75000065-3	PRINTED WIRING ASSY (PWA), MATRIX	REF	B	5	X
-1	24003688-1	. TRANSISTOR (1Q1,3Q1,4Q1,5Q1,34Q1,93Q1,95Q1,96Q1)	8			
-2	24003690-1	. TRANSISTOR (2Q3,94Q3)	2			
-3	10000567-1	. DIODE (6D1,8D1,12D1,14D1,16D1,17D1,29D1,31D1,36D1,42D1,45D1,45.1D1,45.2D1,47D1,47.1D1,47.2D1,49D1,49.1D1,49.2D1,51D1,51.1D1,51.2D1,53D1,53.1D1,53.2D1,55D1,55.1D1,55.2D1,57D1,57.1D1,57.2D1,59D1,59.1D1,59.2D1,61D1,61.1D1,61.2D1,63D1,63.1D1,63.2D1,66D1,68D1,72D1,74D1,76D1,77D1,89D1)	47			
-4	16000023-41	. RESISTOR, METAL FILM 470 OHM 1/4W ±2 PCT (7R9,38R9,67R9)	3			
-5	24000653-1	. TRANSISTOR (9Q2,69Q2)	2			
-6	16000023-80	. RESISTOR, METAL FILM 20K 1/4W ±2PCT (10R15,70R15)	2			
-7	16000023-62	. RESISTOR, METAL FILM 3.6K 1/4W ±2PCT (11R14,71R14)	2			
-8	16000023-39	. RESISTOR, METAL FILM 390 OHM 1/4W ±2PCT (13R6)	1			
-9	16000023-97	. RESISTOR, METAL FILM 100K 1/4W ±2PCT (15R21,75R21)	2			
-10	16000023-100	. RESISTOR, METAL FILM 130K 1/4W ±2PCT (18R22,78R22)	2			
-11	35000032-17	. CAPACITOR, .022UF 50V ±10PCT (19C1,22C1,25C1)	3			
-12	16000023-37	. RESISTOR, METAL FILM 330 OHM 1/4W ±2PCT (20R4,80R4)	2			
-13	16000023-82	. RESISTOR, METAL FILM 24K 1/4W ±2PCT (21R17,81R17)	2			
-14	16000023-38	. RESISTOR, METAL FILM 360 OHM 1/4W ±2PCT (23R5,84R5)	2			
-15	16000023-81	. RESISTOR, METAL FILM 22K 1/4W ±2PCT (24R16,39R16,86R16)	3			
-16	16000023-53	. RESISTOR, METAL FILM 1.5K 1/4W ±2PCT (26R12,40R12)	2			
-17	16000023-40	. RESISTOR, METAL FILM 430 OHM 1/4W ±2PCT (27R7,28R7,83R7,88R7)	4			
-18	16000023-49	. RESISTOR, METAL FILM 1K 1/4W ±2PCT (30R11)	1			
-19	38000038-1	. CAPACITOR, 1.5UF 25V ±20PCT (32C3,91C3)	2			
-20	38000040-11	. CAPACITOR, .68UF 75V ±20PCT (33C2,92C2)	2			
-21	16000023-45	. RESISTOR, METAL FILM 680 OHM 1/4W ±2PCT (35R10,41R10)	2	A		
	16000023-43	. RESISTOR, METAL FILM 560 OHM 1/4W ±2PCT (35-8, 41R8)	2	B		
-22	16000023-1	. RESISTOR, METAL FILM 10 OHM 1/4W ±2PCT (37R1,43R1)	2			
-23	57001960-1	. SOCKET, SUBMINIATURE (44J1,46J1,48J1,50J1,52J1,54J1,56J1,58J1,60J1,62J1)	10			
-24	87001959-1	. ADAPTER	10			
-25	32000474-32	. INDUCTOR (64L1,65L1)	2			
-26	16000023-59	. RESISTOR, METAL FILM 2.7K 1/4W ±2PCT (73R13)	1			
-27	16000023-29	. RESISTOR, METAL FILM 150 OHM 1/4W ±2PCT (79R3)	1			
-28	16000023-25	. RESISTOR, METAL FILM 100 OHM 1/4W ±2PCT (82R2,87R2)	2			
-29	16000023-43	. RESISTOR, METAL FILM 560 OHM 1/4W ±2PCT (85R8)	1			
-30	16000024-43	. RESISTOR, METAL FILM 560 OHM 1/2W ±2PCT (90R20)	1			
-31	45003732-1	. MOUNTING PAD, SOLUBLE	30			
-32	74000065-6	. BOARD, PRINTED WIRING	1			

A = USED ON EARLY CONFIGURATIONS
B = USED ON LATE CONFIGURATIONS (DOWNWARD COMPATIBLE)



715D07

Figure 2-7. Air Deflector Assembly

FIG & INDEX	PART NUMBER	DESCRIPTION	UNITS PER ASSY	USED ON CODE	REF. FIG.	SPARE ITEM
7-	88001840-1	DEFLECTOR ASSY, AIR	REF		5	
-1	50000371-2	. SETSCREW, 8-32 X .375	2			X
-2	87001429-2	. CAP, INDEX PUSHROD	1			
-3	50000771-6	. SCREW, HEX SOC 4-40 X .375	1			X
-4	87000886-1	. SLIDER, ROD	1			
-5	47001430-1	. SPRING, COMPRESSION	1			X
-6	45000884-1	. RING RETAINING	1			X
-7	87001841-1	. ROD, INDEX PUSH	1			
-8	46000881-1	. BEARING, SNAP-IN	2			X
-9	87002103-1	. DEFLECTOR, AIR	1			

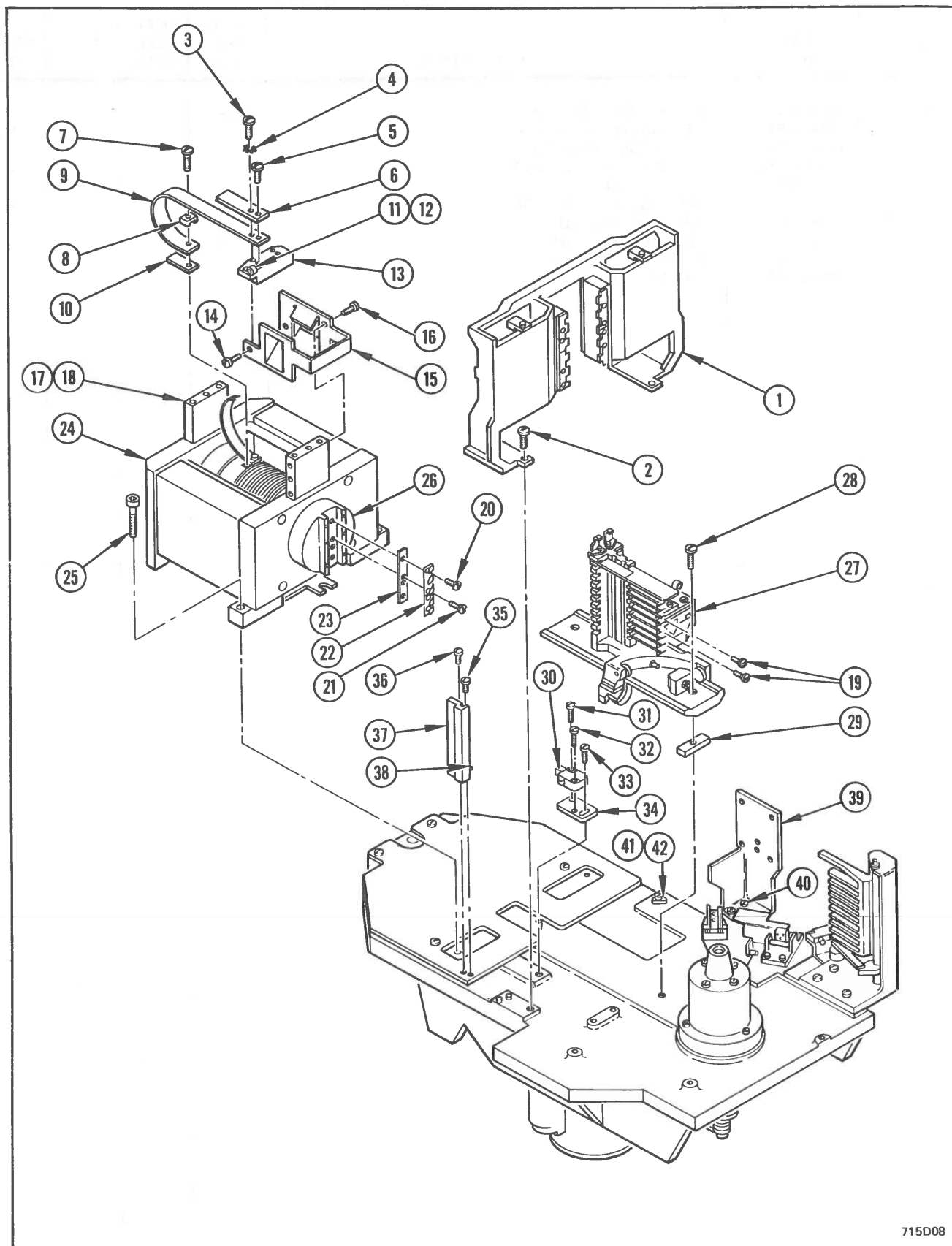
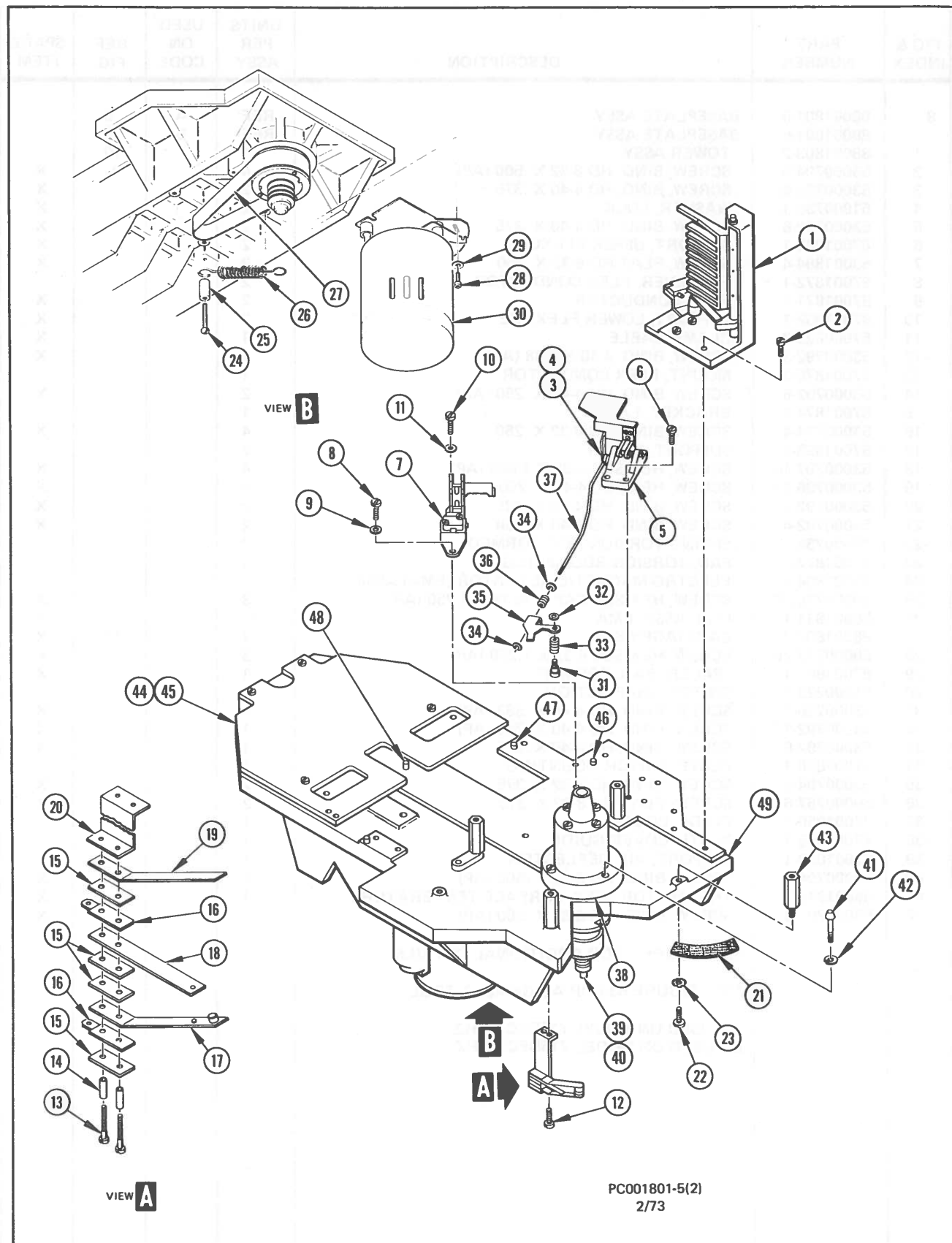


Figure 2-8. Baseplate Assembly (Part 1)

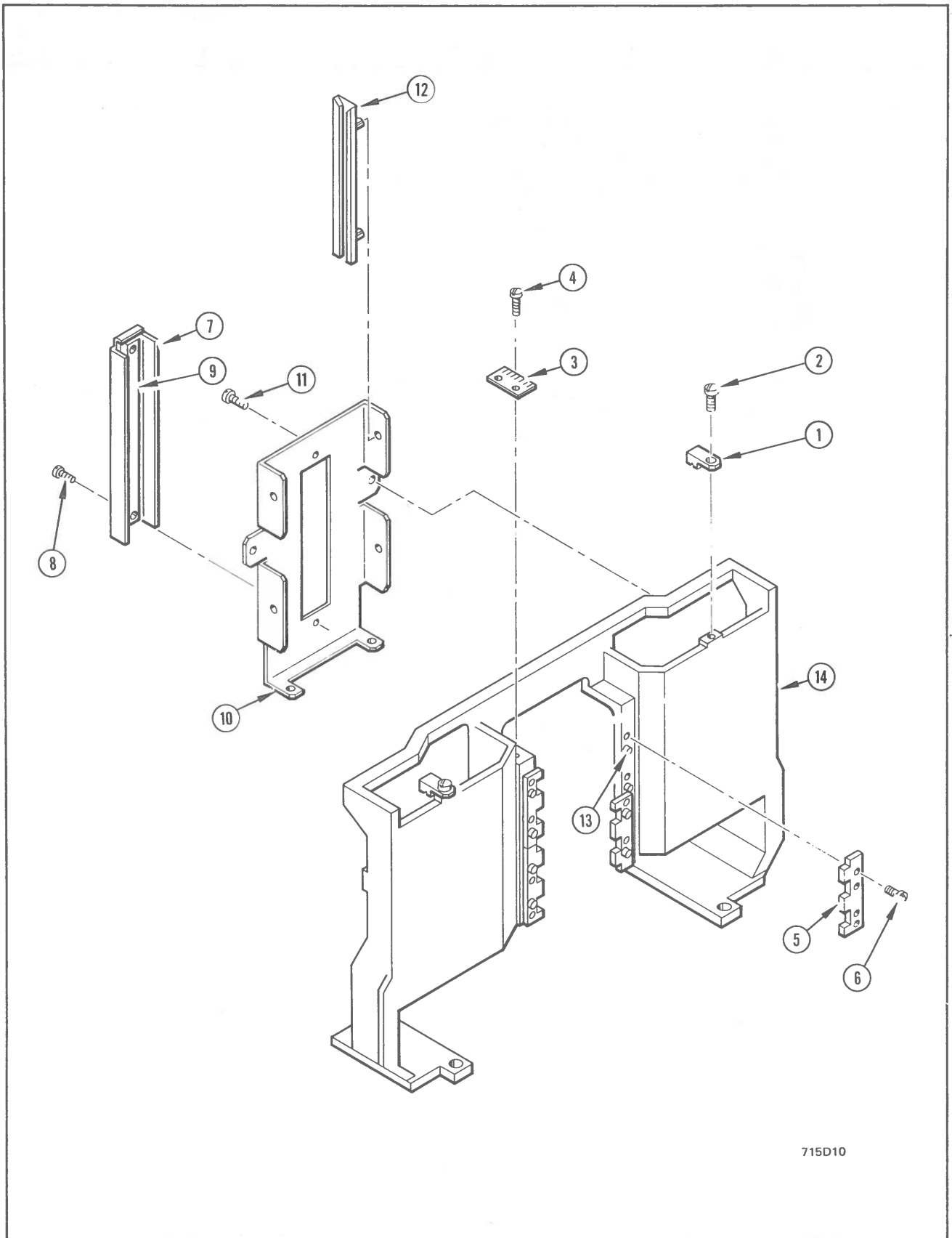
FIG & INDEX	PART NUMBER	DESCRIPTION	UNITS PER ASSY	USED ON CODE	REF. FIG.	SPARE ITEM
8-	88001801-5	BASEPLATE ASSY	REF	A	5	
	88001801-6	BASEPLATE ASSY	REF	B	5	
-1	88001803-2	. TOWER ASSY	1		10	
-2	53000794-8	. SCREW, BIND. HD 8-32 X .500 (AP)	4			X
-3	53000792-6	. SCREW, BIND. HD 4-40 X .375	2			X
-4	51000788-1	. WASHER, LOCK	2			X
-5	53000792-6	. SCREW, BIND. HD 4-40 X .375	2			X
-6	87001863-1	. SUPPORT, UPPER FLEXURE	2			X
-7	53001894-4	. SCREW, FLAT HD 6-32 X .250	2			X
-8	87001872-1	. FASTENER, FLEX CONDUCTOR	2			
-9	87001871-1	. FLEX CONDUCTOR	2			X
-10	87001862-1	. SUPPORT, LOWER FLEXURE	2			X
-11	57000825-2	. CLAMP, CABLE	1			X
-12	53000792-3	. SCREW, BIND. 4-40 X .188 (AP)	1			X
-13	87001875-1	. MOUNT, FLEX CONDUCTOR	1			
-14	53000792-6	. SCREW, BIND. HD 4-40 X .250 (AP)	2			X
-15	87001874-1	. BRACKET, LATCH	1			
-16	53000794-4	. SCREW, BIND. HD 8-32 X .250	4			X
-17	87001893-1	. SUPPORT, COVER	2			
-18	53000797-16	. SCREW, HEX SOC 8-32 X 1.000 (AP)	4			X
-19	53000796-12	. SCREW, HEX SOC 4-40 X .750	4			X
-20	53000792-2	. SCREW, BIND. HD 4-40 X .125	2			X
-21	53000792-4	. SCREW, BIND. HD 4-40 X .250	2			X
-22	87000738-1	. SPRING TORSION ROD FORMED	2			
-23	87001877-1	. PAD, TORSION ROD SPRING	1			
-24	88001806-1	. ELECTRO-MAGNETIC ACTUATOR (EMA) ASSY	1			X
-25	50000776-20	. SCREW, HEX SOC CAP 5/16-18 X 1.250 (AP)	3			X
-26	88001811-1	. COIL ASSY, EMA	1			X
-27	88001807-2*	. CARRIAGE ASSY	1		11	X
-28	50000773-20	. SCREW, HEX SOC 8-32 X 1.250 (AP)	3			X
-29	87001867-1	. SPACER, RAIL FORMED	1			X
-30	61000223-1	. SWITCH, SNAP-ACTION	1			X
-31	53000220-1	. SCREW, BIND. HD 4-40 X .563 (AP)	1			X
-32	53000792-12	. SCREW, BIND. HD 4-40 X .750 (AP)	1			X
-33	53000792-6	. SCREW, BIND. HD 4-40 X .375	1			X
-34	87001870-1	. PLATE, SWITCH MOUNTING	1			
-35	53000794-6	. SCREW, BIND. HD 8-32 X .375	2			X
-36	50000767-6	. SCREW, FLAT HD 8-32 X .375	2			X
-37	87001850-1	. GUIDE, COVER	1			
-38	87001868-1	. PLATE, COVER GUIDE	1			
-39	87001830-1	. SUPPORT, AIR DEFLECTOR	1			
-40	53000794-8	. SCREW, BIND. HD 8-32 X .500 (AP)	3			X
-41	88001347-2	. THERMISTOR ASSY, SURFACE TEMPERATURE	1			X
-42	53000794-8	. SCREW, BIND. HD 8-32 X .500 (AP)	1			X
		SEE FIGURE 9 FOR ADDITIONAL DETAILS				
		*SEE FIGURE 53 FOR ALIGNMENT TOOL				
		A = USED ON MODEL 715DEC 60-HZ				
		B = USED ON MODEL 715DEC 50-HZ				



PC001801-5(2)
2/73

Figure 2-9. Baseplate Assembly (Part 2)

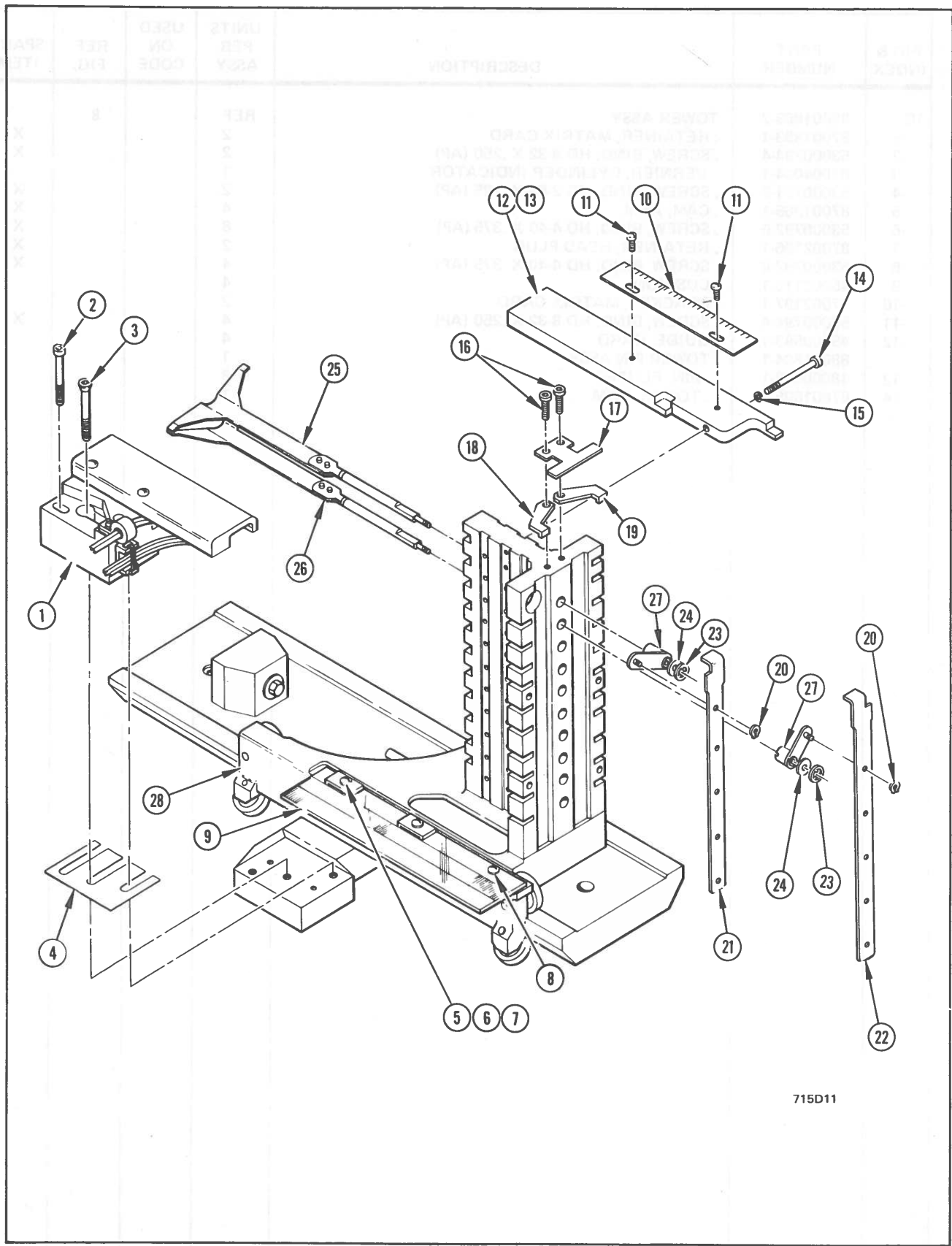
FIG. & INDEX	PART NUMBER	DESCRIPTION	UNITS PER ASSY	USED ON CODE	REF. FIG.	SPARE ITEM
9-	88001801-5	BASEPLATE ASSY, (CONT)	REF	B	5	
	88001801-6	BASEPLATE ASSY, (CONT)	REF	A	5	
-1	88000230-2	. BRUSH DRIVE ASSY	1	A	14	X
	88000230-3	. BRUSH DRIVE ASSY	1	B	14	X
-2	53000794-8	. SCREW, BIND. HD 8-32 X .500 (AP)	3			X
-3	45000506-1	. RING, RETAINING	1			X
-4	87000503-1	. COUPLER, LEVER	1			
-5	88001079-1	. PIVOT ASSY, INDEX	1		13	X
-6	53000794-6	. SCREW, BIND. HD 8-32 X .500 (AP)	4			X
-7	88000355-3	. TRANSDUCER ASSY, INDEX	1		14	X
-8	50000370-1	. SCREW, SOC CAP LOCK 8-32 X .500	1			X
-9	54001066-1	. WASHER, SPRING (AP)	4			X
-10	50000755-8	. SCREW, BIND. HD 8-32 X .500 (AP)	1			X
-11	54000799-6	. WASHER, FLAT (AP)	1			X
	88000268-1	. SWITCH ASSY, PACK ON	1			X
-12	50000755-6	. SCREW, BIND. HD 8-32 X .375 (AP)	2			X
-13	50000753-12	. . SCREW, BIND. HD 4-40 X .750	2			X
-14	87000269-1	. . INSULATOR, SLEEVE	2			
-15	87000270-1	. . INSULATOR, FLAT	4			
-16	57000271-1	. . TERMINAL	2			
-17	88000264-1	. . CONTACT ASSY	1			
-18	88000261-1	. . ARM ASSY, CONTACT	1			
-19	57000272-1	. . FLEXURE, SPINDLE GROUND	1			
-20	87000273-1	. . BRACKET, PACK ON SWITCH	1			
-21	83001781-2	. STRAP, GROUND	1			X
-22	50000755-6	. SCREW, BIND. HD 8-32 X .375 (AP)	1			X
-23	51000788-3	. WASHER, LOCK (AP)	1			X
-24	50000775-24	. SCREW, HEX SOC .250-20 X 1.500	1			X
-25	87001828-1	. STANDOFF, INSULATED SPRING POST	1			
-26	47000500-1	. SPRING, EXTENSION	1	A		X
	47000500-3	. SPRING, EXTENSION	1	B		X
-27	45001856-1	. BELT, FLAT	1	A		X
	45001856-2	. BELT, FLAT	1	B		X
-28	50000499-4	. SCREW, SHOULDER	3			X
-29	54000498-1	. SPACER, MOTOR MOUNTING	3			X
-30	88001890-1	. MOTOR ASSY, DRIVE	1	A	17	X
	88001890-3	. MOTOR ASSY, DRIVE	1	B	17	X
-31	50000499-1	. SCREW, SHOULDER	1			X
-32	54000507-1	. WASHER, BEARING	1			X
-33	47000508-1	. SPRING, PAWL RETAINING COMPRESSION	1			X
-34	45000506-1	. RING, RETAINING	2			X
-35	87000505-1	. PAWL, MECHANICAL BRAKE	1			
-36	47000509-1	. SPRING, MECHANICAL BRAKE	1			X
-37	87000504-1	. LINK, MECHANICAL BRAKE ACTUATING	1			
-38	88004046-1	. SPINDLE ASSY	1			X
-39	87000251-1	. . RETAINER, CONTRACT	1			X
-40	57000250-1	. . CONTACT, GROUND	1			X
-41	50000776-16	. SCREW, HEX SOC.312-18 X 1.000 (AP)	3			X
-42	51000789-31	. WASHER, LOCK (AP)	3			X
-43	87001026-5	. STANDOFF	4			
-44	87001860-1	. COVER, BOTTOM	1			
-45	53000794-8	. SCREW, BIND. HD 8-32 X .500 (AP)	4			X
	88001802-1	. BASEPLATE PIN ASSY	1			
-46	48000364-1	. . PIN, ROLL	1			X
-47	48000589-1	. . PIN, FLUTED	2			
-48	48001835-1	. . PIN, DOWEL	1			
-49	87001800-1	. . BASEPLATE	1			
SEE FIGURE 6 FOR ADDITIONAL DETAILS						
A = USED ON 60HZ DRIVES						
B = USED ON 50HZ DRIVES						



715D10

Figure 2-10. Tower Assembly

FIG & INDEX	PART NUMBER	DESCRIPTION	UNITS PER ASSY	USED ON CODE	REF. FIG.	SPARE ITEM
10-	88001803-2	TOWER ASSY	REF		8	
-1	87001853-1	. RETAINER, MATRIX CARD	2			X
-2	53000794-4	. SCREW, BIND. HD 8-32 X .250 (AP)	2			X
-3	87004044-1	. VERNIER, CYLINDER INDICATOR	1			
-4	53000791-2	. SCREW, BIND. HD 2-56 X .125 (AP)	2			X
-5	87001365-1	. CAM, ARM	4			X
-6	53000792-6	. SCREW, BIND. HD 4-40 X .375 (AP)	8			X
-7	87002106-1	. RETAINER, HEAD PLUG	2			X
-8	53000792-6	. SCREW, BIND. HD 4-40 X .375 (AP)	4			X
-9	45002119-1	. CUSHION	4			
-10	87002107-1	. BRACKET, MATRIX CARD	2			
-11	53000794-4	. SCREW, BIND. HD 8-32 X .250 (AP)	4			X
-12	45000583-1	. GUIDE, CARD	4			
	88001804-1	. TOWER PIN ASSY	1			
-13	48000582-1	.. PIN, FLUTED	8			
-14	87001805-1	.. TOWER, CAM	1			



715D11

Figure 2-11. Carriage Assembly

FIG & INDEX	PART NUMBER	DESCRIPTION	UNITS PER ASSY	USED ON CODE	REF. FIG.	SPARE ITEM
11-	88001807-2*	CARRIAGE ASSY	REF		8	
-1	88003985-1	. TRANSDUCER ASSY, ACCESS	1		12	X
-2	53000796-12	. SCREW, HEX SOC 4-40 X .750 (AP)	2			X
-3	53001861-2	. SCREW, CAP 8-32 X .750 (AP)	1			X
-4	87001887-2	. SHIM, TRANSDUCER	1			X
	87001887-3	. SHIM, TRANSDUCER	AR			X
	87001887-5	. SHIM, TRANSDUCER	AR			X
	87001887-10	. SHIM, TRANSDUCER	AR			X
	87001887-20	. SHIM, TRANSDUCER	AR			X
-5	53003619-6	. SCREW, FLAT HD 4-40 X .375	2			X
-6	87001899-2	. CLAMP, GLASS	2			X
-7	87003846-1	. SPACER, TAPE	2			X
-8	53000792-6	. SCREW, BIND. HD 4-40 X .375	1			X
-9	88001817-3	. PRIMARY GRATING	1			X
-10	87004045-1	. INDICATOR, CYLINDER	1			X
-11	53000791-4	. SCREW, BIND. HD 2-56 X .250 (AP)	2			X
	88004275-1	. PAD ASSY, HEAD LOAD	1			
-12	87004276-1	. . BLOCK, HEAD LOAD PAD	1			
-13	87001859-1	. . PAD, HEAD LOAD	1			
-14	53000796-12	. SCREW, HEX SOC 4-40 X .750 (AP)	1			X
-15	51000790-4	. WASHER, LOCK (AP)	1			X
-16	53000796-5	. SCREW, HEX SOC 4-40 X .312	2			X
-17	87001750-1	. SUPPORT, LATCH INTERLOCK	1			
-18	87000739-1	. RETAINER, 'A' SIDE LINK	1			
-19	87000740-1	. RETAINER, 'B' SIDE LINK	1			
-20	45001248-12	. RING, RETAINING	10			X
-21	87000961-1	. LINK, 'A' SIDE	1			
-22	87000962-1	. LINK, 'B' SIDE	1			
-23	87000741-1	. RETAINER, TORSION ROD	10			X
-24	51000742-1	. WASHER, SPECIAL	10			X
-25	88000422-2	. ROD ASSY, TORSION AD, BU	5			X
-26	88000421-2	. ROD ASSY, TORSION AU, BD	5			X
-27	87000734-1	. CRANK, TORSION ROD	10			X
-28	88001808-1	. CARRIAGE SUB ASSY	1		13	X
		*SEE FIGURE 53 FOR ALIGNMENT TOOL				

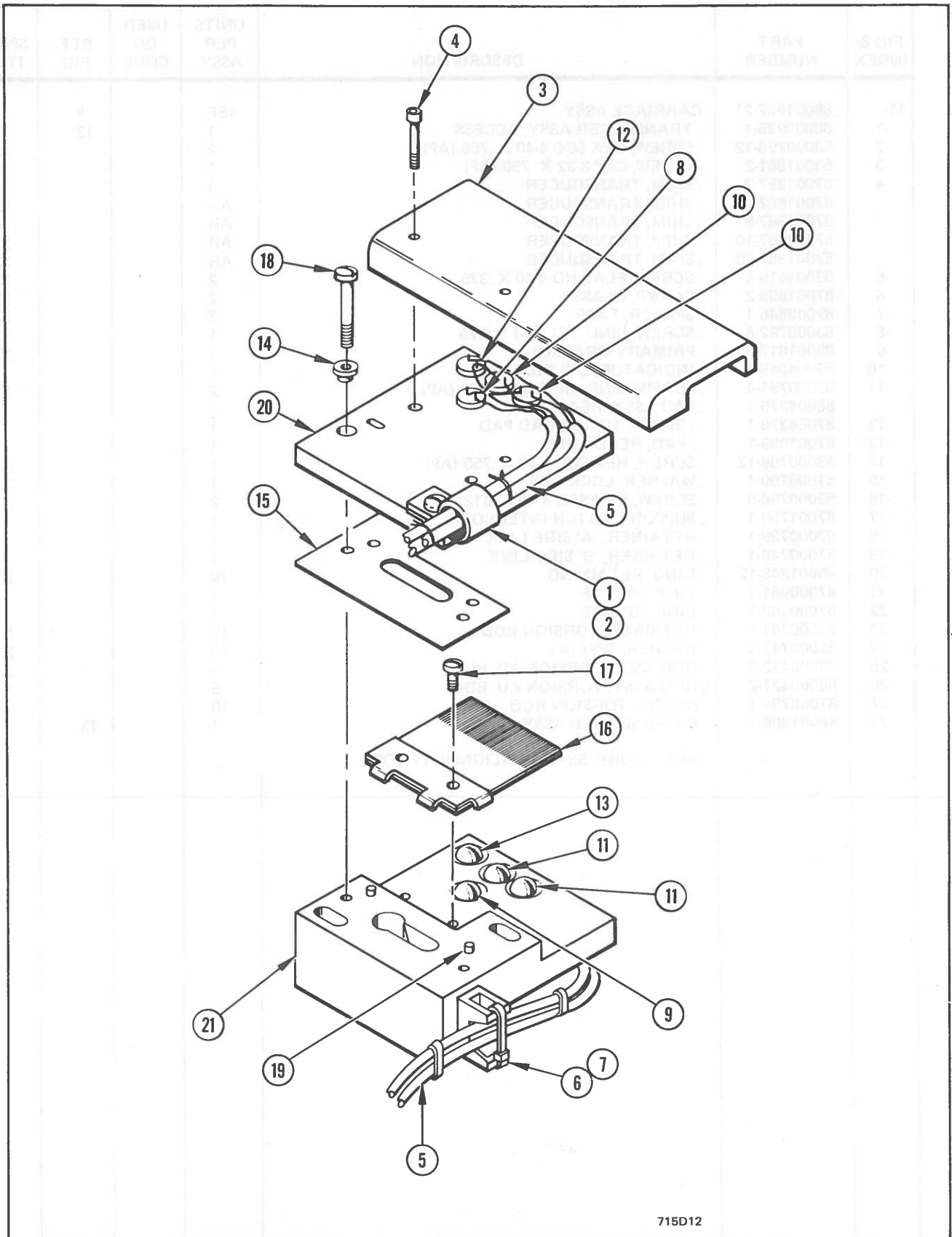
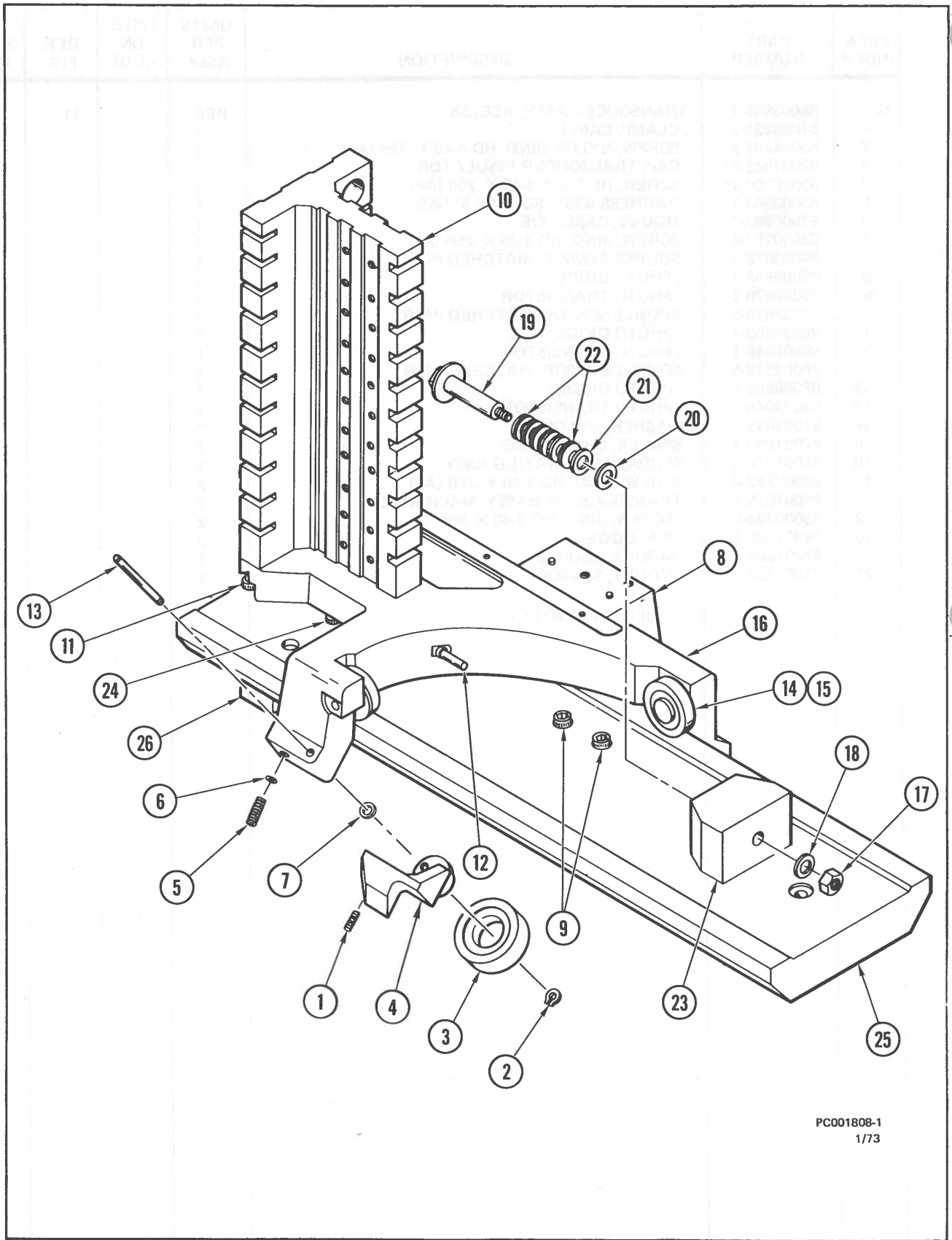


Figure 2-12. Access Transducer Assembly

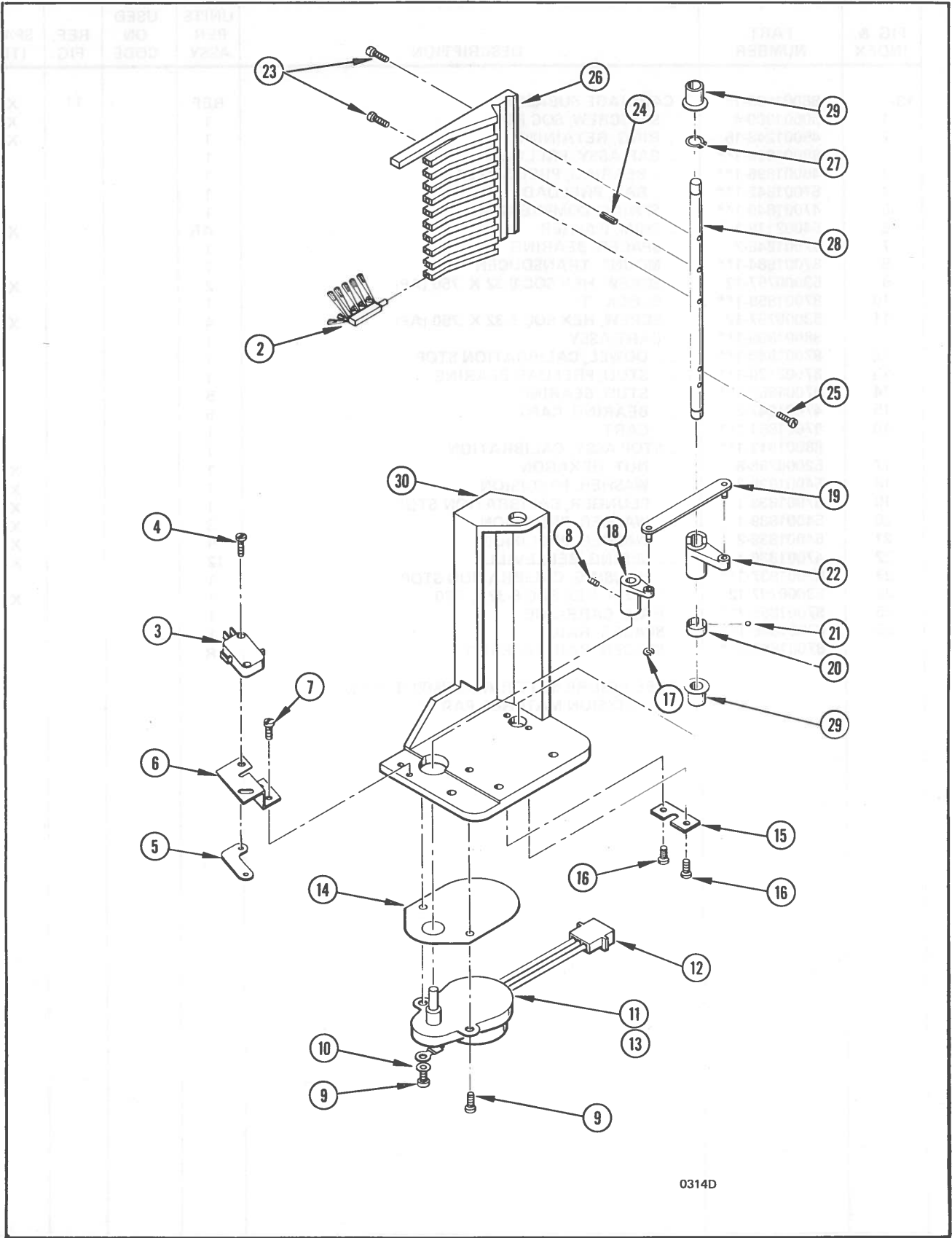
FIG & INDEX	PART NUMBER	DESCRIPTION	UNITS PER ASSY	USED ON CODE	REF. FIG.	SPARE ITEM
12-	88003985-1	TRANSDUCER ASSY, ACCESS	REF		11	X
-1	57000825-2	. CLAMP, CABLE	1			X
-2	53004492-2	. SCREW, NYLON BIND. HD 4-40 X .188 (AP)	1			X
-3	87001843-2*	. CAP, TRANSDUCER INSULATOR	1			
-4	53000796-4*	. SCREW, HEX SOC 4-40 X .250 (AP)	2			X
-5	83003983-1	. HARNESS ASSY, SOURCE-SENSE	1			X
-6	57000997-7	. MOUNT, CABLE TIE	1			
-7	53000792-4	. SCREW, BIND. HD 4-40 X .250 (AP)	1			X
	88003618-1	. SOURCE-SENSOR, MATCHED PAIR	1			
-8	88000869-1	.. PHOTO DIODE	1			
-9	88000870-1	.. PHOTO TRANSISTOR	1			
	88003618-5	. SOURCE-SENSOR, MATCHED PAIR	2			
-10	88000869-1	.. PHOTO DIODE	1			
-11	88003946-1	.. PHOTO TRANSISTOR	1			
	88003618-5	. SOURCE-SENSOR, MATCHED PAIR	1			
-12	88000869-1	.. PHOTO DIODE	1			
-13	88003946-1	.. PHOTO TRANSISTOR	1			
-14	51001045-1	. WASHER, NYLON	2			X
-15	87001885-1	. SPACER, INSULATING	1			X
-16	88001816-2	. SECONDARY GRATING ASSY	1			X
-17	52000792-4	. SCREW, BIND. HD 4-40 X .250 (AP)	2			X
	88001815-1	. TRANSDUCER SUBASSY, MACHINING	1			
-18	53000792-8	.. SCREW, BIND. HD 4-40 X .500	2			X
-19	48001888-1	.. PIN, DOWEL	2			
-20	87001883-1	.. MOUNT, SOURCE	1			
-21	87001882-1	.. MOUNT, SENSOR	1			
		*ORDER SEPARATELY				



PC001808-1
1/73

Figure 2-13. Carriage Subassembly

FIG. & INDEX	PART NUMBER	DESCRIPTION	UNITS PER ASSY	USED ON CODE	REF. FIG.	SPARE ITEM
13-	88001808-1*	CARRIAGE SUBASSY	REF		11	X
-1	50001900-4	. SETSCREW, SOC HD	1			X
-2	45001248-15	. RING, RETAINING	1			X
	88001810-1**	. BAR ASSY, PRELOAD	1			
-3	46001896-1**	. . BEARING, PRELOAD BAR	1			
-4	87001842-1**	. . BAR, PRELOAD	1			
-5	47001849-1**	. SPRING, COMPRESSION	1			
-6	54002118-1	. SHIM, WASHER	AR			
-7	87001846-2	. SPACER, BEARING	1			X
-8	87001884-1**	. MOUNT, TRANSDUCER	1			
-9	53000797-12	. SCREW, HEX SOC 8-32 X .750 (AP)	2			X
-10	87001858-1**	. BLOCK, 'T'	1			
-11	53000797-12	. SCREW, HEX SOC 8-32 X .750 (AP)	4			X
	88001809-1**	. CART ASSY	1			
-12	87001848-1**	. . DOWEL, CALIBRATION STOP	1			
-13	87002120-1**	. . STUD, PRELOAD BEARING	1			
-14	87001852-1**	. . STUD, BEARING	5			
-15	47001847-2	. . BEARING, CART	5			
-16	87001851-1**	. . CART	1			
	88001813-1**	. STOP ASSY, CALIBRATION	1			
-17	52000798-8	. . NUT, HEXAGON	1			X
-18	54001839-3	. . WASHER, PRECISION	1			X
-19	87001838-1	. . PLUNGER, CALIBRATION STOP	1			X
-20	54001839-1	. . WASHER, PRECISION	3			X
-21	54001839-2	. . WASHER, PRECISION	4			X
-22	47001836-1	. . SPRING, BELLEVILLE	12			X
-23	87001837-1**	. . HOUSING, CALIBRATION STOP	1			X
-24	53000797-12	. SCREW, HEX SOC 8-32 X .750	1			
-25	87001855-1**	. RAIL, CARRIAGE	1			X
-26	87001866-1**	. SPACER, RAIL	1			
	87001866-2**	. SPACER, RAIL TAPERED	AR			
		* SEE FIGURE 53 FOR ALIGNMENT TOOL				
		** PRECISION MATCHED PARTS				



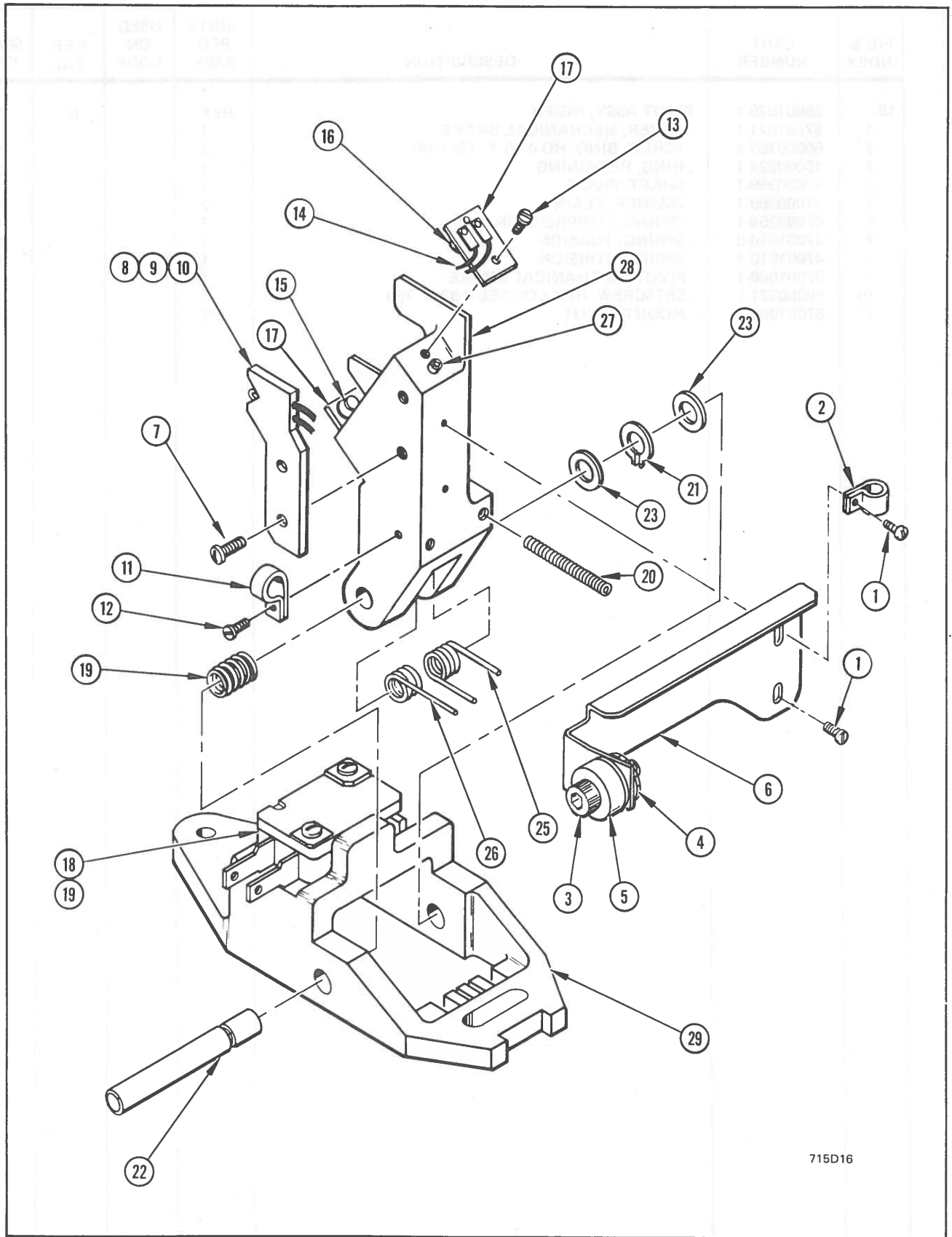
0314D

Figure 2-14. Brush Drive

FIG & INDEX	PART NUMBER	DESCRIPTION	UNITS PER ASSY	USED ON CODE	REF. FIG.	SPARE ITEM
14-	88000230-2	BRUSH DRIVE ASSY	REF	A	9	X
	88000230-3	BRUSH DRIVE ASSY	REF	B	9	X
-1		DELETE				
-2	88000200-1	. BRUSH ASSY	10			X
-3	61000223-1	. SWITCH, SNAP-ACTION	1			X
-4	53000792-10	. SCREW, BIND. HD 4-40 X .625 (AP)	2			X
-5	87000215-1	. NUTPLATE	1			
-6	87000203-1	. MOUNT, SWITCH	1			
-7	53000793-5	. SCREW, BIND. HD 6-32 X .312 (AP)	2			
-8	50000222-1	. SETSCREW, 6-32 X .250	1			X
-9	53000228-1	. SCREW, FILLISTER HD NYLON 6-32 X .312	2			X
-10	51000787-3	. WASHER LOCK	1			X
-11	76000674-2	. MOTOR ASSY, BRUSH DRIVE	1	A		X
	76000674-3	. MOTOR ASSY, BRUSH DRIVE	1	B		X
-12	57000290-1	. . CAP, THREE CIRCUIT	1			
-13	78000207-2	. . MOTOR, BRUSH DRIVE 60 HZ	1	A		
	78000207-3	. . MOTOR, BRUSH DRIVE 50 HZ	1	B		
-14	87000227-2	. SPACER, INSULATING	1			
-15	87000209-1	. PLATE, LOCKING	1			X
-16	53000793-5	. SCREW, BIND. HD 6-32 X .312 (AP)	2			X
-17	45000224-1	. RING, RETAINING	2			X
-18	87000208-1	. ARM, BRUSH LEVER	1			X
-19	88000204-1	. LINK ASSY, BRUSH	1			
-20	47000213-1	. SPRING, BRUSH DETENT	1			X
-21	45000214-1	. BALL, BRUSH DETENT	1			X
-22	87000210-1	. ARM, BRUSH ROD LEVER	1			X
-23	53000793-10	. SCREW, BIND. HD 6-32 X .625	2			X
-24	48000216-1	. PIN ROLL	1			X
-25	53000217-1	. SCREW FILLISTER HD 6-32 X .312	1			X
-26	87000998-1	. MOUNT, BRUSH	1			
-27	45000225-1	. RING, RETAINING	1			X
-28	87000212-1	. ROD, BRUSH MOUNTING	1			
-29	45000226-1	. BUSHING, FLANGED	2			X
-30	87000229-1	. SUPPORT, BRUSH MOUNT	1			

A = USED ON MODEL 715DEC 60-HZ
B = USED ON MODEL 715DEC 50-HZ

FIG & INDEX	PART NUMBER	DESCRIPTION	UNITS PER ASSY	USED ON CODE	REF. FIG.	SPARE ITEM
15-	88001079-1	PIVOT ASSY, INDEX	REF		9	X
-1	87001071-1	. LEVER, MECHANICAL BRAKE	1			
-2	50000753-3	. SCREW, BIND, HD 4-40 X .188 (AP)	3			X
-3	45000224-1	. RING, RETAINING	1			X
-4	87000359-1	. SHAFT, PIVOT	1			
-5	51000369-1	. WASHER, PLAIN	2			X
-6	47000358-1	. SPRING, COMPRESSION	1			X
-7	47001910-3	. SPRING, TORSION	1			X
-8	47001910-4	. SPRING, TORSION	1			X
-9	87001068-1	. PIVOT, MECHANICAL BRAKE	1			
-10	50000371-1	. SETSCREW, HEX LOCWEL 8-32 X .750	1			X
-11	87001069-1	. MOUNT, PIVOT	1			



715D16

Figure 2-16. Index Transducer Assembly

FIG & INDEX	PART NUMBER	DESCRIPTION	UNITS PER ASSY	USED ON CODE	REF. FIG.	SPARE ITEM
16-	88000355-3	TRANSDUCER ASSY, INDEX	REF		9	X
-1	53000792-6	. SCREW, BIND. HD 4-40 X .375	2			X
-2	57000825-2	. CLAMP, CABLE	1			X
	88004348-1*	. LEVER ASSY, INDEX TRANSDUCER	1			
-3	50000774-6*	.. SCREW, HEX SOC 10-32 X .375	1			X
-4	52004415-5	.. NUT, HEXAGON	1			X
-5	46001072-1	.. BEARING, LEVER	1			
-6	87001070-1	.. LEVER, INDEX TRANSDUCER	1			
	88003678-2	. THERMISTOR ASSY	1			X
-7	50000753-4	. SCREW, BIND. HD 4-40 X .250 (AP)	2			X
-8	22004402-1	.. THERMISTOR, DISK	1			
-9	83003683-1	.. HARNESS ASSY, THERMISTOR	1			
-10	87003677-1	.. HOUSING, THERMISTOR	1			
-11	57000825-2	. CLAMP, CABLE	1			X
-12	53000792-4	. SCREW, BIND. HD 4-40 X .250 (AP)	1			X
	88000827-1	. BOARD ASSY, INDEX TRANSDUCER	1			X
-13	53000791-4	. SCREW, BIND. HD 2-56 X .250 (AP)	2			X
-14	83001123-1	.. HARNESS ASSY, INDEX TRANSDUCER	1			X
-15	27003788-1	.. PHOTOTRANSISTOR	1			
-16	14000018-1	.. DIODE	1			
-17	74000675-1	.. BOARD, BLANK	2			
-18	61000223-1	. SWITCH, SNAP-ACTION	1			X
-19	53000792-10	. SCREW, BIND. HD 4-40 X .625 (AP)	2			X
-20	50000371-1	. SETSCREW, 8-32 X .750	2			X
-21	45000224-1	. RING, RETAINING	1			X
-22	87000359-1	. SHAFT, TRANSDUCER PIVOT	1			
-23	51000369-1	. WASHER	2			X
-24	47000358-1	. SPRING, COMPRESSION	1			X
-25	47001910-1	. SPRING, TORSION	1			
-26	47001910-2	. SPRING, TORSION	1			
	88000366-2	. ARM ASSY, TRANSDUCER PIVOT	1			
-27	48000367-1	.. PIN, ROLL	2			X
-28	87000368-1	.. ARM, TRANSDUCER PIVOT	1			
-29	87000356-1	. BASE, INDEX TRANSDUCER	1			
		*ORDER SEPARATELY				

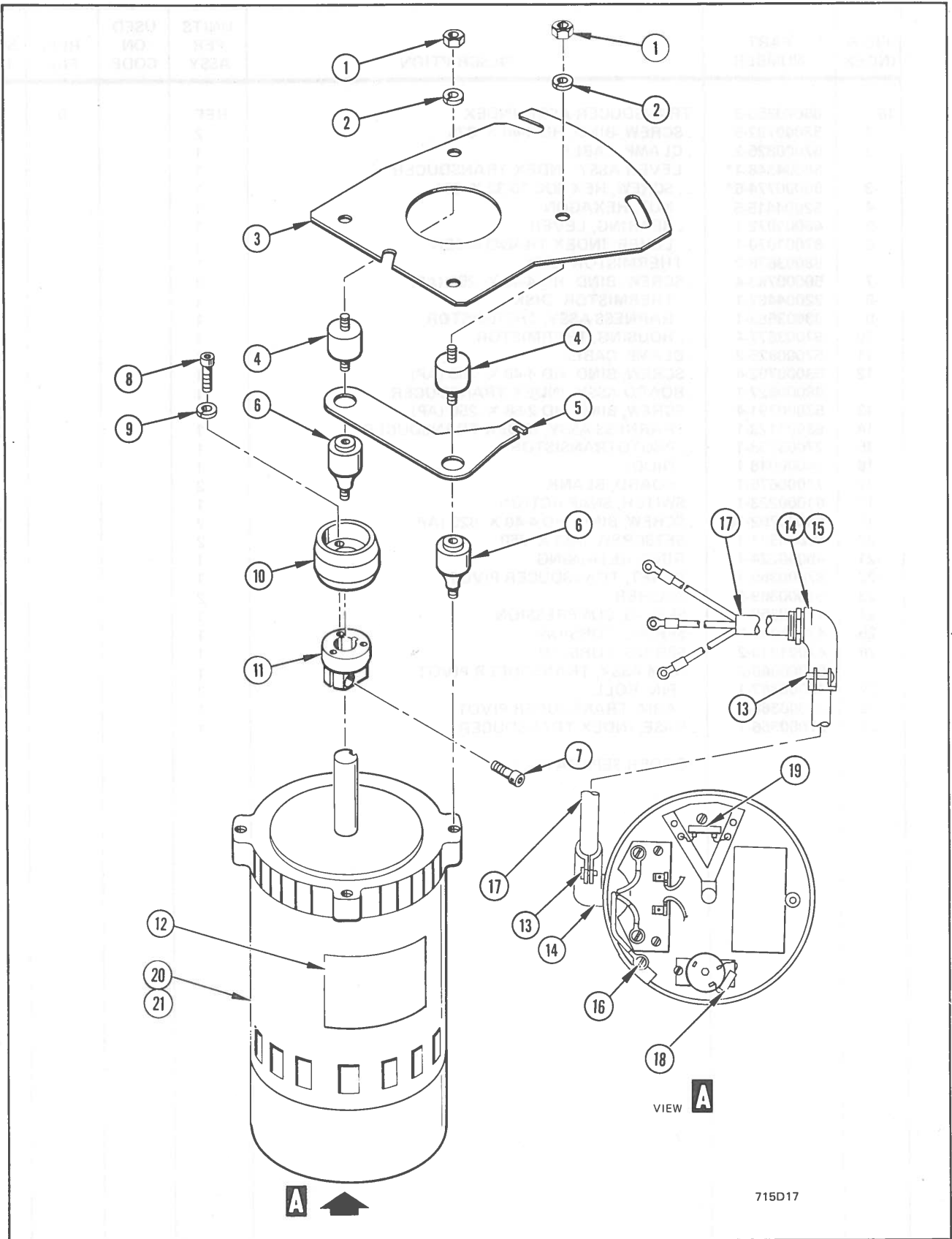
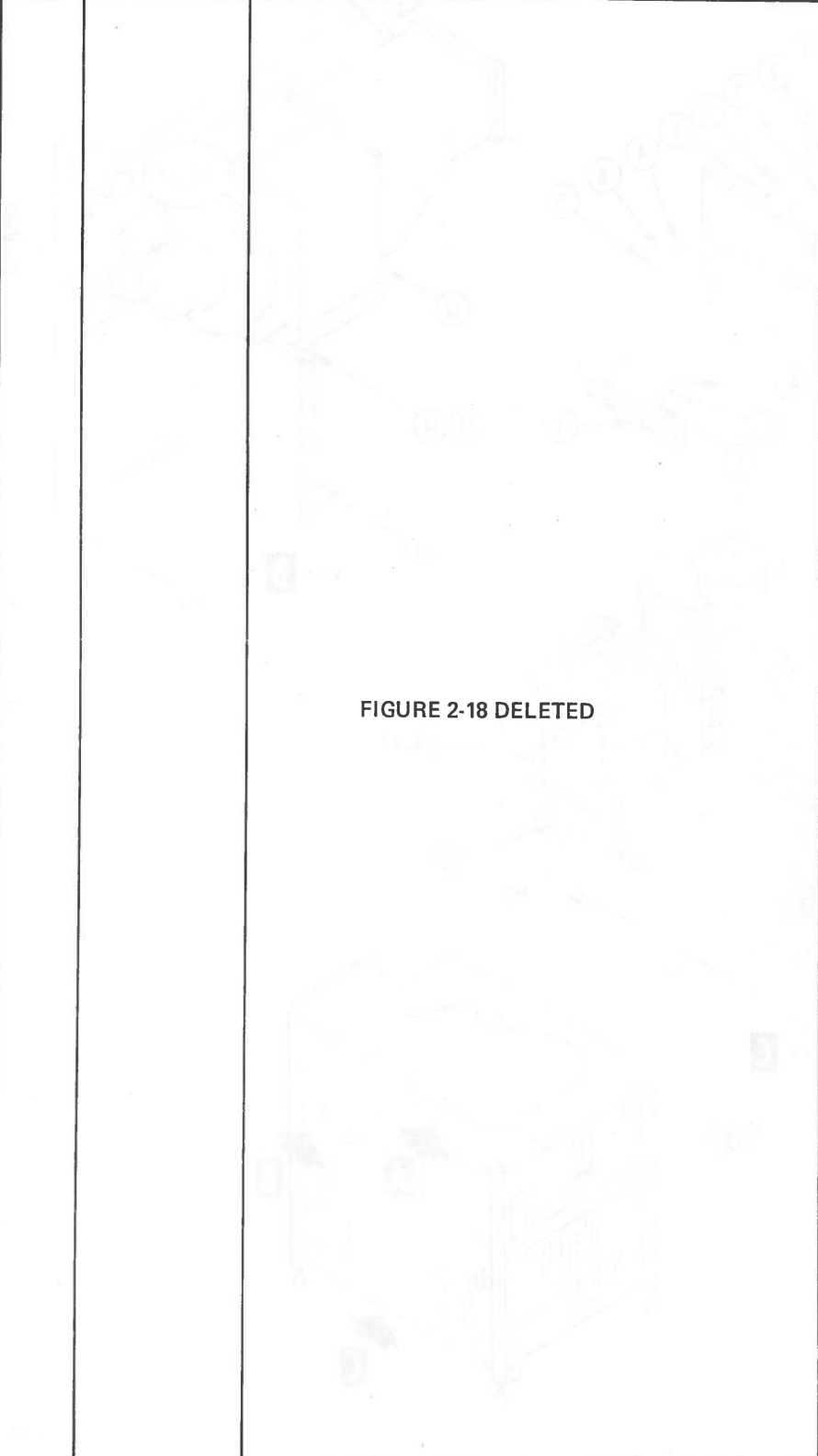


Figure 2-17. Drive Motor Assembly

FIG & INDEX	PART NUMBER	DESCRIPTION	UNITS PER ASSY	USED ON CODE	REF. FIG.	SPARE ITEM
17-	88001890-1	MOTOR ASSY, DRIVE	REF	A	9	X
	88001890-3	MOTOR ASSY, DRIVE	REF	B	9	X
-1	52000784-25	. NUT, HEX JAM	4			X
-2	51000789-25	. WASHER, LOCK	4			X
-3	87001892-1	. PLATE, MOTOR MOUNTING	1			
-4	45000496-1	. SHOCK, MOTOR MOUNTING	4			
-5	87001891-1	. PLATE, SPRING REACTION	1			
-6	87000495-2	. ADAPTER, MOTOR MOUNTING	4	A		
	87001889-1	. ADAPTER, MOTOR MOUNTING	4	B		
-7	50000774-12	. SCREW, HEX SOC 10-32 X .750	1			X
	88001956-2	. PULLEY ASSY, SPINDLE DRIVE	1	A		X
	88001956-4	. PULLEY ASSY, SPINDLE DRIVE	1	B		X
-8	50000773-10	.. SCREW, HEX SOC 8-32 X .625	3			X
-9	51000790-8	.. WASHER, LOCK	3			X
-10	87001958-92	.. PULLEY, BELT	1	A		
	87001958-94	.. PULLEY, BELT	1	B		
-11	87001957-2	.. CLAMP, PULLEY	1	A		
	87001957-1	.. CLAMP, PULLEY	1	B		
-12	71001274-1	. LABEL, HAZARDOUS AREA	1			
	76000636-2	. MOTOR ASSY	1	A		
	76000636-3	. MOTOR ASSY	1	B		
-13	50000761-6	.. SCREW, BIND. HD 8-32 X .375	4	A		
-14	45003580-1	.. CLAMP, CABLE RIGHT ANGLE STRAIN RELIEF	2	A		
-15	57000957-1	.. CLAMP, CABLE	1	B		
-16	53001792-4	.. SCREW, PAN HD 6-32	1	B		
-17	84000988-1	.. CABLE ASSY, MOTOR	1			
-18	20000478-1	.. RESISTOR, WW 10 OHM 5 1/4 W ±5PCT	1	A		
-19	20003475-15	.. RESISTOR, WW 8 W ±5PCT	1	A		
	40003569-28	.. CAPACITOR	1	B		
	52000783-8	.. NUT, HEX	4	B		
-20	78001798-1	.. MOTOR, CAP START 60 HZ	1	A		
-21	78000561-1	.. MOTOR, CAP START 50 HZ	1	B		
		A = USED ON MODEL 715DEC 60-HZ				
		B = USED ON MODEL 715DEC 50-HZ				

FIG & INDEX	PART NUMBER	DESCRIPTION	UNITS PER ASSY	USED ON CODE	REF. FIG.	SPARE ITEM
		 <p data-bbox="581 1014 837 1045">FIGURE 2-18 DELETED</p>				

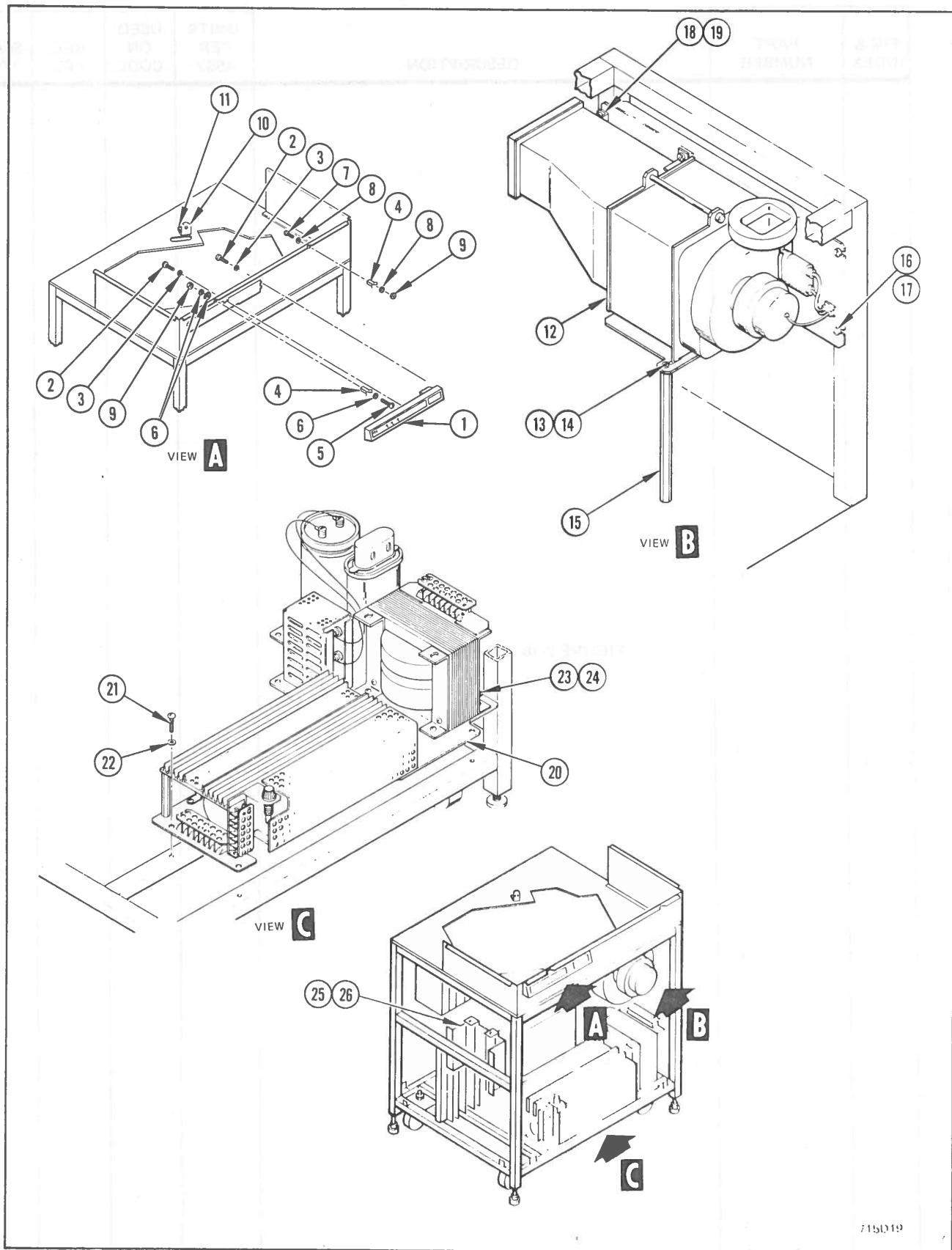
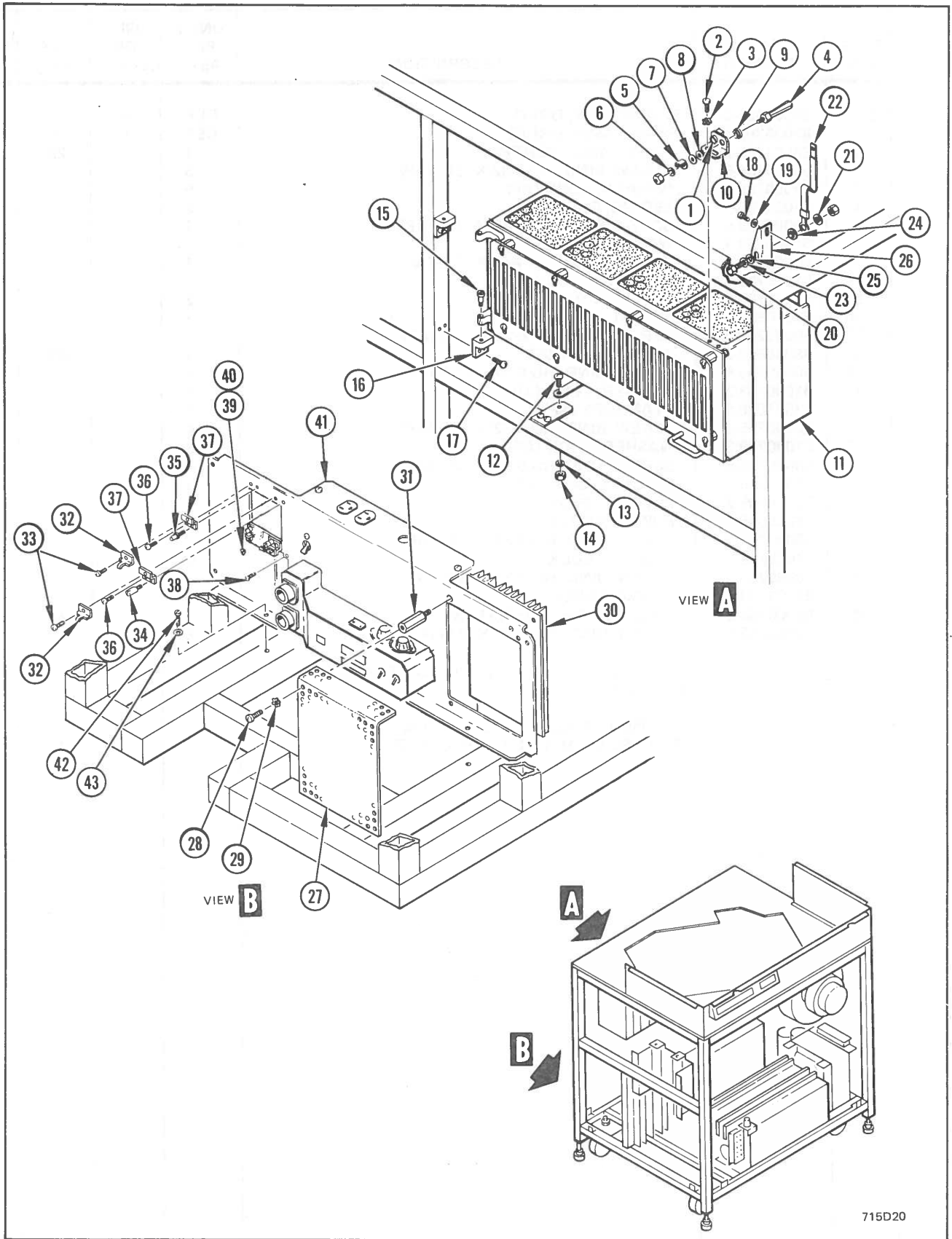


Figure 2-19. Drive Frame Assembly (Part 1)

FIG & INDEX	PART NUMBER	DESCRIPTION	UNITS PER ASSY	USED ON CODE	REF. FIG.	SPARE ITEM
19-	88003386-3	FRAME ASSY, DRIVE	REF	A	5	
	88003386-4	FRAME ASSY, DRIVE	REF	B	5	
-1	88001746-2	. PANEL ASSY, CONTROL	1		22	X
-2	50000754-5	. SCREW, BIND. HD 6-32 X .312 (AP)	5			X
-3	51000788-2	. WASHER, LOCK (AP)	5			X
-4	47001795-1	. SPRING, GROUND	2			
-5	50000753-5	. SCREW, BIND. HD 4-40 X .312 (AP)	1			X
-6	51000788-1	. WASHER, LOCK (AP)	3			X
-7	50000753-5	. SCREW, BIND. HD 4-40 X .312 (AP)	1			X
-8	51000788-1	. WASHER, LOCK (AP)	2			X
-9	52000783-4	. NUT, HEXAGON (AP)	2			X
-10	57000997-5	. MOUNT, CABLE TIE	1			
-11	50000767-6	. SCREW, FLAT HD 8-32 X .375 (AP)	1			X
-12	88000600-3	. AIR SYSTEM ASSY	1		23	
-13	50000755-6	. SCREW, BIND. HD 8-32 X .375 (AP)	1			X
-14	51000788-3	. WASHER, LOCK (AP)	1			X
-15	87001026-8	. STANDOFF (AP)	1			
-16	50000755-6	. SCREW, BIND. HD 8-32 X .375 (AP)	4			X
-17	51000788-3	. WASHER, LOCK (AP)	3			X
-18	50000755-6	. SCREW, BIND. HD 8-32 X .375 (AP)	3			X
-19	57001265-1	. CLAMP, CABLE (AP)	3			
-20	76000605-2	. POWER SUPPLY	1	A	24	X
	76000605-3	. POWER SUPPLY	1	B	24	X
-21	50000755-6	. SCREW, BIND. HD 8-32 X .375 (AP)	5			X
-22	51000788-3	. WASHER, LOCK (AP)	5			X
-23	50000755-6	. SCREW, BIND. HD 8-32 X .375 (AP)	3			X
-24	57001265-1	. CLAMP, CABLE (AP)	3			
-25	88000733-2	. BRACKET ASSY, RESISTOR	1		27	X
-26	50000755-6	. SCREW, BIND. HD 8-32 X .375 (AP)	2			X
		SEE FIGURES 20 AND 21 FOR ADDITIONAL DETAILS				
		A = USED ON MODEL 715DEC 60-HZ				
		B = USED ON MODEL 715DEC 50-HZ				



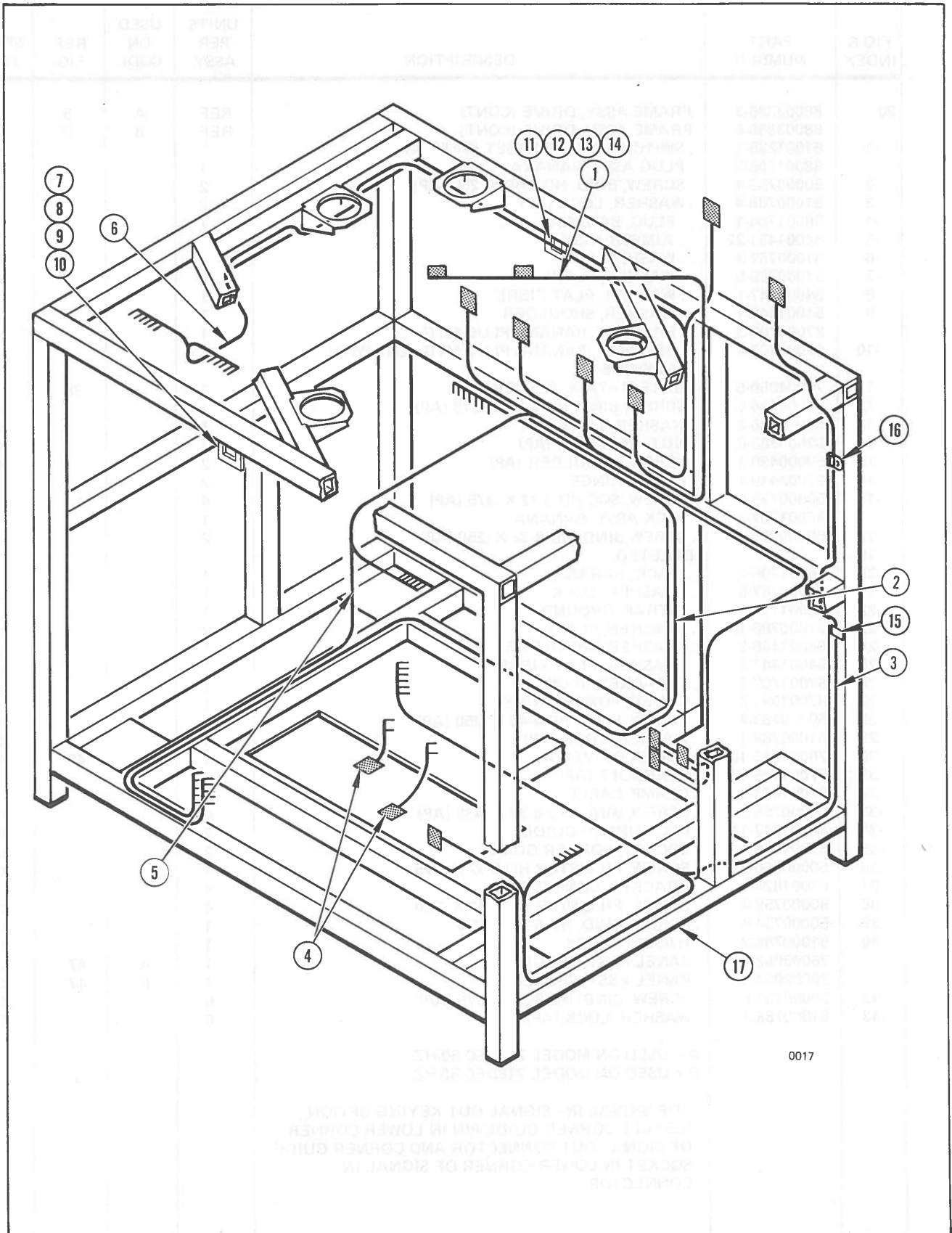
715D20

Figure 2-20. Drive Frame Assembly (Part 2)

FIG & INDEX	PART NUMBER	DESCRIPTION	UNITS PER ASSY	USED ON CODE	REF. FIG.	SPARE ITEM
20-	88003386-3	FRAME ASSY, DRIVE (CONT)	REF	A	5	
	88003386-4	FRAME ASSY, DRIVE (CONT)	REF	B	5	
-1	61001235-1	. SWITCH, UNSAFE RESET (OPTION)				X
	88001706-3	. PLUG ASSY, BANANA	1			
-2	50000753-4	. SCREW, BIND. HD 4-40 X .250 (AP)	2			X
-3	51000788-4	. WASHER, LOCK (AP)	2			X
-4	58001704-1	. . PLUG, BANANA	1			
-5	84001451-22	. . JUMPER ASSY	1			
-6	51000787-3	. . WASHER, LOCK	1			X
-7	51000786-5	. . WASHER, PLAIN	2			X
-8	54001447-1	. . WASHER, FLAT FIBRE	1			X
-9	54001446-1	. . WASHER, SHOULDER	1			X
	87001703-3	. . BRACKET, BANANA PLUG MTG	1			
-10	87001703-4	. . BRACKET, BANANA PLUG MTG (USE WITH 61001235-1)	1			
-11	76004050-6	. GATE MATRIX, ELECTRONIC	1		28	
-12	50000754-6	. SCREW, BIND. HD 6-32 X .375 (AP)	1			X
-13	51000788-2	. WASHER, LOCK (AP)	1			X
-14	52000783-6	. NUT, HEXAGON (AP)	1			X
-15	50000499-3	. SCREW, SHOULDER (AP)	2			X
-16	87003449-1	. PLATE, HINGE	2			
-17	50000773-6	. SCREW, SOC HD 8-32 X .375 (AP)	4			X
	88001707-1	. JACK ASSY, BANANA	1			
-18	50000755-4	. SCREW, BIND. HD 8-32 X .250 (AP)	2			X
-19		DELETED				
-20	58001705-2	. . JACK, BANANA	1			
-21	51000787-6	. . WASHER, LOCK	1			X
-22	83001717-1	. . STRAP, GROUND	1			
-23	51000786-10	. . WASHER, PLAIN	2			X
-24	54001446-2	. . WASHER, SHOULDER FIBRE	1			X
-25	54001447-2	. . WASHER, FLAT FIBRE	1			X
-26	87001702-2	. . BRACKET, JACK	1			
-27	87001021-2	. COVER, POWER DRIVER	1			
-28	50000753-4	. SCREW, BIND. HD 4-40 X .250 (AP)	4			X
-29	51000788-1	. WASHER, LOCK (AP)	4			X
-30	76000613-10	. POWER DRIVER ASSY	1		45	X
-31	87001026-19	. STANDOFF (AP)	4			
-32	87001023-1	. CLAMP, CABLE	4			
-33	50000755-7	. SCREW, BIND. HD 8-32 X .438 (AP)	4			X
-34	48001047-1*	. PIN, CORNER GUIDE	2			X
-35	57001048-1*	. SOCKET, CORNER GUIDE	2			X
-36	50000760-6	. SCREW, FILLISTER HD 6-32 X .375	4			X
-37	87001024-1	. BRACKET, CONNECTOR	4			
-38	50000759-4	. SCREW, FILLISTER HD 4-40 X .250	4			X
-39	50000754-4	. SCREW, BIND. HD 6-32 X .250	1			X
-40	51000788-2	. WASHER, LOCK	1			X
-41	76003962-1	. PANEL ASSY, SEQUENCE	1	A	47	X
	76003963-1	. PANEL ASSY, SEQUENCE	1	B	47	X
-42	50000755-6	. SCREW, BIND. HD 8-32 X .375 (AP)	6			X
-43	51000788-3	. WASHER, LOCK (AP)	6			X

A = USED ON MODEL 715DEC 60-HZ
B = USED ON MODEL 715DEC 50-HZ

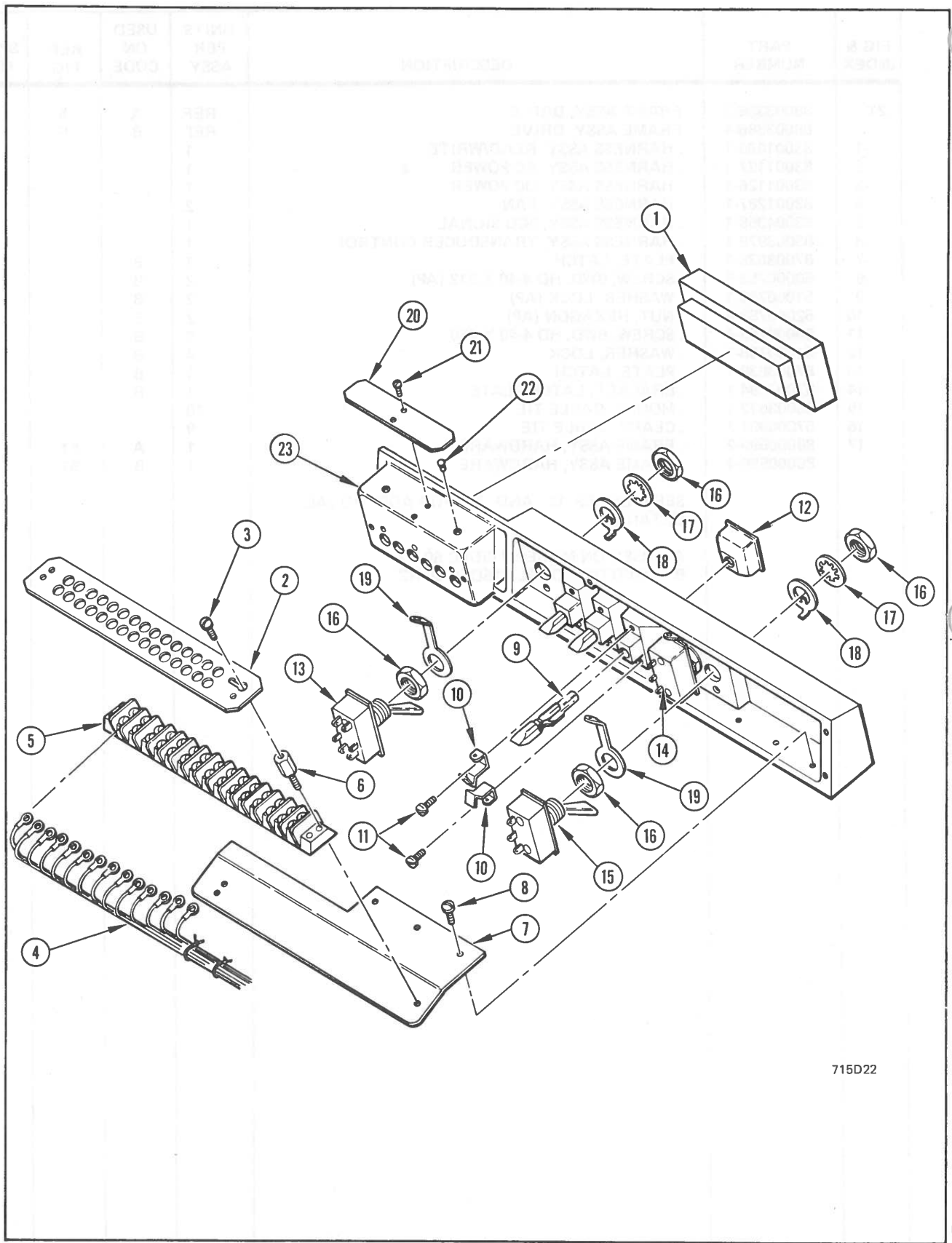
*FOR SIGNAL IN - SIGNAL OUT KEYING OPTION,
INSTALL CORNER GUIDE PIN IN LOWER CORNER
OF SIGNAL OUT CONNECTOR AND CORNER GUIDE
SOCKET IN LOWER CORNER OF SIGNAL IN
CONNECTOR



0017

Figure 2-21. Drive Frame Assembly (Part 3)

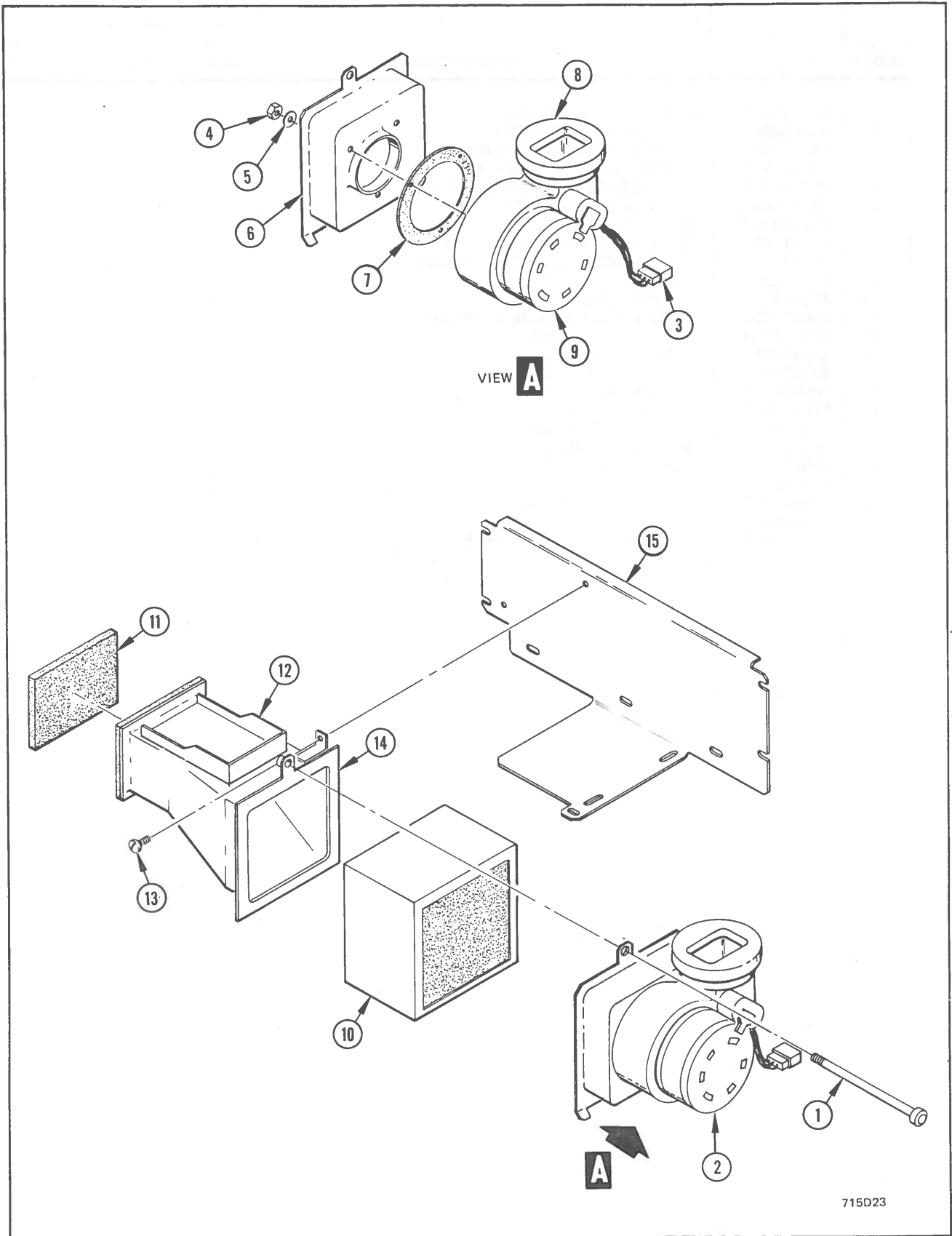
FIG & INDEX	PART NUMBER	DESCRIPTION	UNITS PER ASSY	USED ON CODE	REF. FIG.	SPARE ITEM
21-	88003386-3	FRAME ASSY, DRIVE	REF	A	5	
	88003386-4	FRAME ASSY, DRIVE	REF	B	5	
-1	83001869-1	. HARNESS ASSY, READ/WRITE	1			
-2	83001127-1	. HARNESS ASSY, AC POWER	1			
-3	83001126-1	. HARNESS ASSY, DC POWER	1			
-4	83001287-1	. HARNESS ASSY, FAN	2			
-5	83004358-1	. HARNESS ASSY, SCU SIGNAL	1			
-6	83003979-1	. HARNESS ASSY, TRANSDUCER CONTROL	1			
-7	87003638-1	. PLATE, LATCH	1	B		
-8	50000753-5	. SCREW, BWD. HD 4-40 X.312 (AP)	2	B		X
-9	51000788-1	. WASHER, LOCK (AP)	2	B		X
-10	52000783-4	. NUT, HEXAGON (AP)	2	B		X
-11	50000753-4	. SCREW, BWD. HD 4-40 X.250	4	B		X
-12	51000788-1	. WASHER, LOCK	4	B		X
-13	87003638-1	. PLATE, LATCH	1	B		
-14	87003694-1	. BRACKET, LATCH PLATE	1	B		
-15	45003612-1	. MOUNT, CABLE TIE	40			
-16	57000997-7	. CLAMP, CABLE TIE	9			
-17	88000599-2	. FRAME ASSY, HARDWARE	1	A	51	
	88000599-4	. FRAME ASSY, HARDWARE	1	B	51	
		SEE FIGURES 19 AND 20 FOR ADDITIONAL DETAILS				
		A = USED ON MODEL 715DEC 60-HZ				
		B = USED ON MODEL 715DEC 50-HZ				



715D22

Figure 2-22. Control Panel Assembly

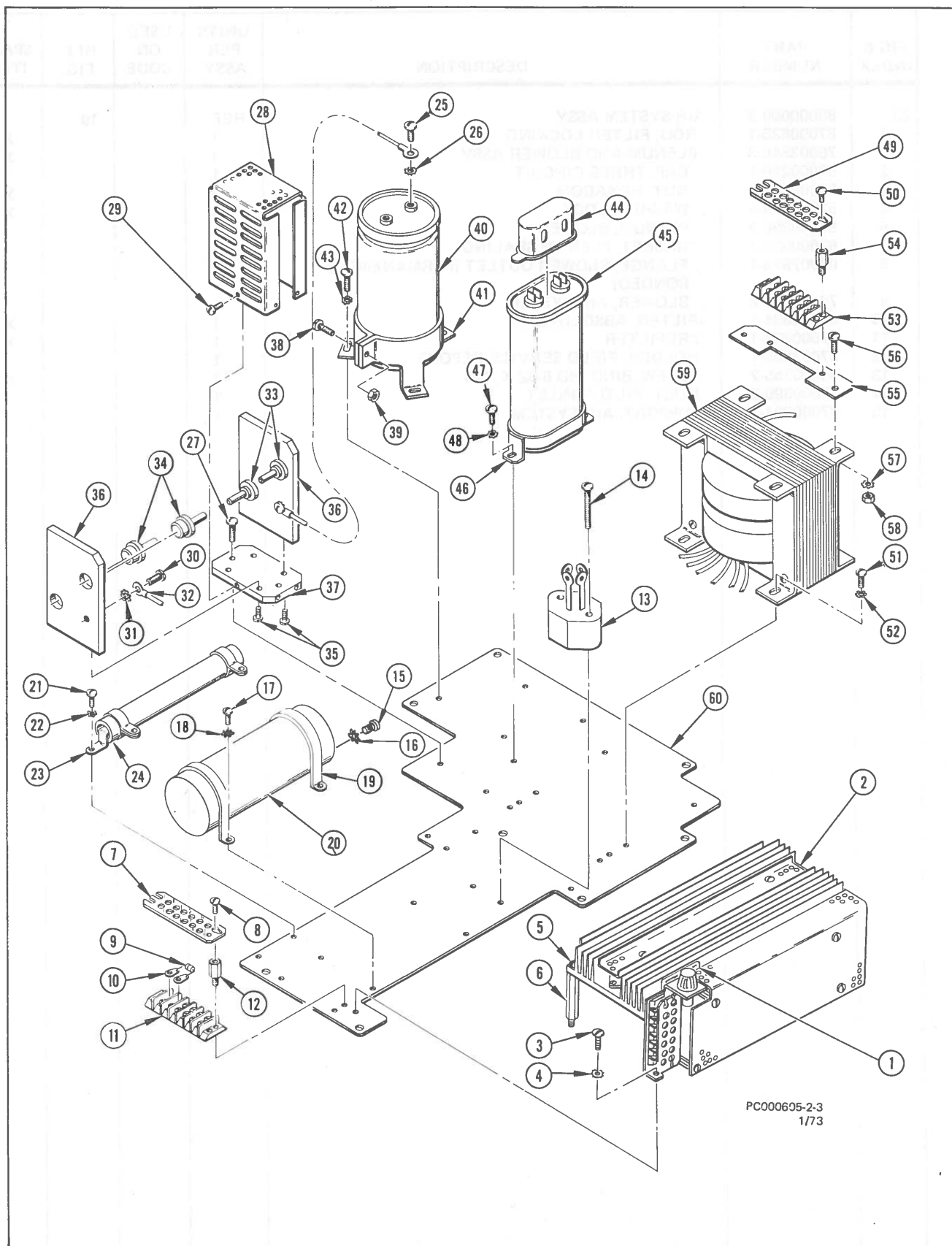
FIG & INDEX	PART NUMBER	DESCRIPTION	UNITS PER ASSY	USED ON CODE	REF. FIG.	SPARE ITEM
22-	88001746-2	PANEL ASSY, CONTROL	REF		19	X
-1	88000688-1	. PLUG ASSY, MOD IDENT	1			
-2	87001027-7	. COVER, TERMINAL BOARD	1			X
-3	50000753-3	. SCREW, BIND. HD 4-40 X .188 (AP)	3			X
-4	83002129-1	. HARNESS ASSY, CONTROL PANEL	1			X
-5	73000568-13	. TERMINAL BOARD (CP1)	1			X
-6	87001026-1	. STANDOFF (AP)	3			
-7	87001178-1	. BRACKET, TERMINAL BOARD	1			
-8	50000753-3	. SCREW, BIND. HD 4-40 X .188 (AP)	3			X
-9	43001296-1	.LAMP (DS1,DS2,DS3)	3			X
-10	47001227-1	. SPRING, LAMP	6			X
-11	50000753-3	. SCREW, BIND. HD 4-40 X .188 (AP)	6			X
-12	87001224-1	. REFLECTOR, LAMP	3			
-13	60000662-1	. SWITCH, DPDT (S1)	1			X
-14	60000665-1	. SWITCH, SPDT (S2)	2			X
-15	60000665-1	. SWITCH, SPDT (S3)	1			X
-16	57001255-1	. NUT, FACE (AP)	6			X
-17	51001254-1	. WASHER, LOCK (AP)	3			X
-18	45001747-1	. RING, LOCKING (AP)	3			X
-19	57003578-1	. LUG, SOLDER (AP)	3			
-20	47001905-1	. SPRING, PIN	1			
-21	50000753-2	. SCREW, BIND. HD 4-40 X .125 (AP)	2			X
-22	87001904-1	. PIN, PLUG	2			
-23	87001745-1	. HOUSING, CONTROL PANEL	1			



715D23

Figure 2-23. Air System Assembly

FIG & INDEX	PART NUMBER	DESCRIPTION	UNITS PER ASSY	USED ON CODE	REF. FIG.	SPARE ITEM
23-	88000600-3	AIR SYSTEM ASSY	REF		19	
-1	87000835-1	. ROD, FILTER LOCKING	1			X
-2	76003545-3	. PLENUM AND BLOWER ASSY	1			X
-3	57000290-1	.. CAP, THREE CIRCUIT	1			
-4	52000783-6	.. NUT, HEXAGON	3			X
-5	51000789-6	.. WASHER, LOCK	3			X
-6	87000396-3	.. PLENUM, BLOWER	1			
-7	87000928-1	.. GASKET, PLENUM SEALING	AR			
-8	87007975-1	.. FLANGE, BLOWER OUTLET (PERMANENTLY BONDED)	1			
-9	79003544-2	.. BLOWER, AIR SYSTEM	1			
-10	87000834-2	. FILTER, ABSOLUTE	1			X
-11	87000833-1	. PREFILTER	1			X
-12	87003606-1	. HOLDER, FIELD SERVICE REPORT	1			
-13	50000755-2	. SCREW, BIND. HD 8-32 X .125	3			X
-14	87000390-2	. DUCT, FILTER INLET	1			
-15	87000391-1	. SUPPORT, AIR SYSTEM	1			



PC000605-2-3
1/73

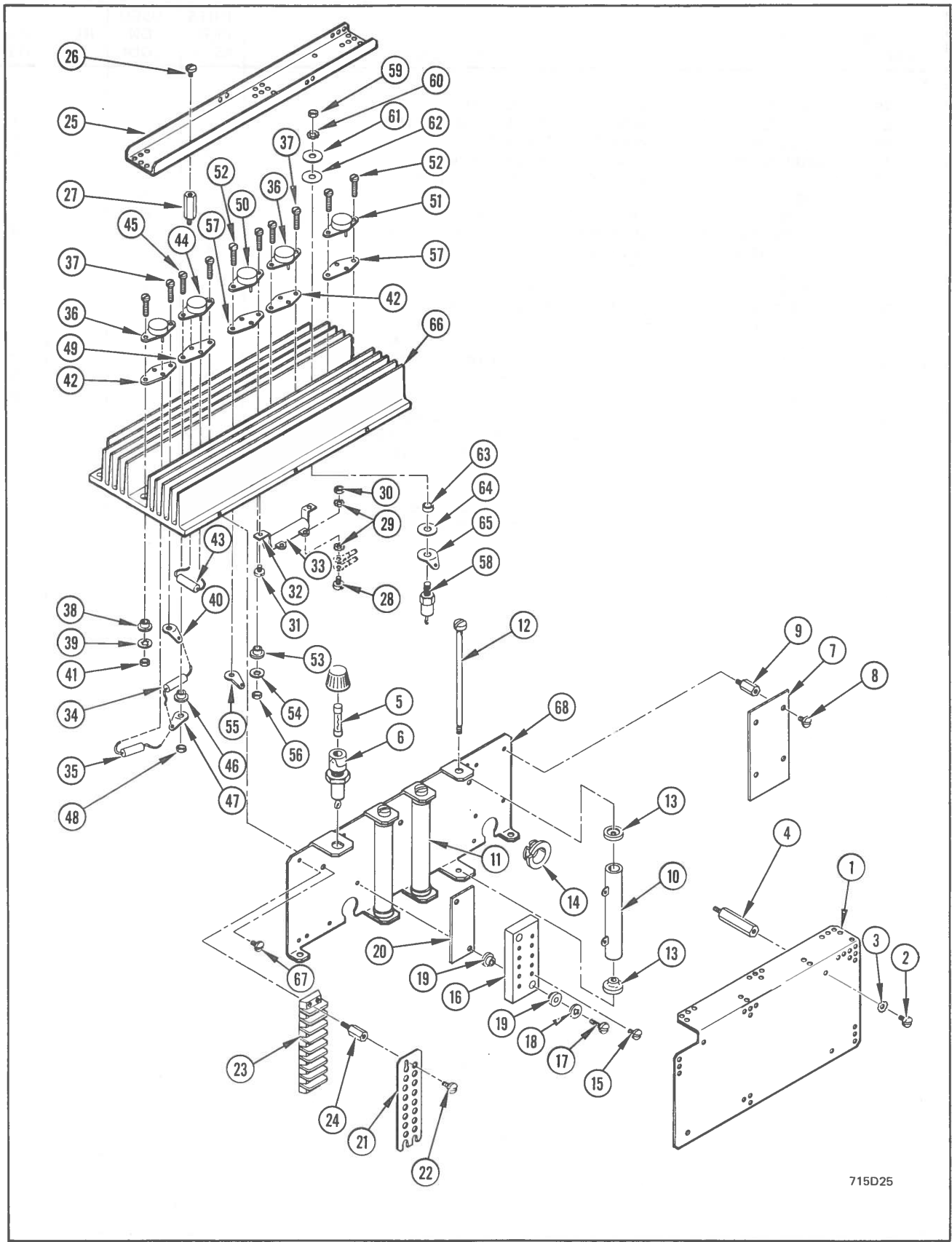
Figure 2-24. Power Supply Assembly

FIG. & INDEX	PART NUMBER	DESCRIPTION	UNITS PER ASSY	USED ON CODE	REF. FIG.	SPARE ITEM
24-	76000605-2	POWER SUPPLY ASSY	REF	A	19	X
	76000605-3	POWER SUPPLY ASSY	REF	B	19	X
-1	71004159-1	. LABEL, CAUTION	1			
-2	76000608-3 *	. REGULATOR ASSY	1	A	25	X
	76000608-4 *	. REGULATOR ASSY	1	B	25	X
-3	50000755-4	. SCREW, BIND. HD 8-32 X .250 (AP)	2			X
-4	51000788-3	. WASHER, LOCK (AP)	2			X
-5	50000755-6	. SCREW, BIND. HD 8-32 X .375 (AP)	2			X
-6	87001026-10	. STANDOFF (AP)	2			
	76000678-2	. RECTIFIER ASSY, BULK	1			
	76000678-3	. RECTIFIER ASSY, BULK	1	A		
-7	87001027-3	. . COVER, TERMINAL BOARD	1	B		X
-8	50000753-3	. . SCREW, BIND. HD 4-40 X .188 (AP)	3			X
	76003536-1	. . DIODE ASSY	1			X
-9	10000484-1	. . . DIODE	1			
-10	57003359-2	. . . TERMINAL	2			
-11	73000568-5	. . TERMINAL BOARD (PS3)	1			X
-12	87001026-1	. . STANDOFF (AP)	3			
-13	14000449-1	. . DIODE (CR1)	1			X
-14	50000753-12	. . SCREW, BIND. HD 4-40 X .750 (AP)	2			X
-15	50000756-6	. . SCREW, BIND. HD 10-32 X .375	2			X
-16	51000788-4	. . WASHER, LOCK	2			X
-17	50000754-4	. . SCREW, BIND. HD 6-32 X .250	4			X
-18	51000788-2	. . WASHER, LOCK	4			X
-19	87001015-1	. . BRACKET, CAPACITOR	2			
-20	34000486-1	. . CAPACITOR, 20K UF 40V (C2)	i			X
-21	50000755-5	. . SCREW, BIND. HD 8-32 X .250	2			X
-22	51000788-3	. . WASHER, LOCK	2			X
-23	45000951-4	. . BRACKET, RESISTOR	2			X
-24	20000483-11	. . RESISTOR, 4 OHM 100W ±5PCT (R5)	1			X
-25	50000756-6	. . SCREW, BIND. HD 10-32 X .500	2			X
-26	51000788-4	. . WASHER, LOCK	2			X
	76000607-3	. . RECTIFIER ASSY (CR2)	1			X
-27	50000755-8	. . SCREW, BIND. HD 8-32 X .500 (AP)	2			X
-28	87001018-2	. . . COVER, RECTIFIER	1			
-29	50000753-6	. . . SCREW, BIND. HD 4-40 X .375 (AP)	6			X
-30	50000755-4	. . . SCREW, BIND. HD 8-32 X .250	2			X
-31	51000788-3	. . . WASHER, LOCK	2			X
-32	84001453-8	. . . JUMPER ASSY	2			
-33	12000448-1	. . . DIODE, POWER (D2,D3)	2			
-34	12000447-1	. . . DIODE, POWER (D4,D5)	2			
-35	50000754-4	. . . SCREW, BIND. HD 6-32 X .250	4			X
-36	87001035-1	. . . PLATE, DIODE	2			
-37	87001036-1	. . . PLATE, RECTIFIER MOUNTING	1			
-38	50000755-12	. . SCREW, BIND. HD 8-32 X .750	1			X
-39	52000783-8	. . NUT, HEXAGON	1			X
-40	34000487-1	. . CAPACITOR (C1)	1			X
-41	45001003-1	. . BRACKET, CAPACITOR	1			
-42	50000755-5	. . SCREW, BIND. HD 8-32 X .312 (AP)	3			X
-43	51000788-3	. . WASHER, LOCK (AP)	3			X
-44	45001321-1	. . COVER, CAPACITOR	1			X
-45	40000489-13	. . CAPACITOR (C4)	1			X

* NOT TESTED AS SPARE ITEM

FIG. & INDEX	PART NUMBER	DESCRIPTION	UNITS PER ASSY	USED ON CODE	REF. FIG.	SPARE ITEM
24-46	45001002-2	. . . BRACKET, CAPACITOR	1			
-47	50000755-5	. . . SCREW, BIND. HD 8-32 X .312 (AP)	2			X
-48	51000788-3	. . . WASHER, LOCK (AP)	2			X
-49	87001027-3	. . . COVER, TERMINAL BOARD	1			X
-50	50000753-3	. . . SCREW, BIND. HD 4-40 X .250 (AP)	3			X
	76001909-1	. . . TRANSFORMER ASSY	1	A		
	76003742-1	. . . TRANSFORMER ASSY	1	B		
-51	50000755-5	. . . SCREW, BIND. HD 8-32 X .312 (AP)	4			X
-52	51000788-3	. . . WASHER, LOCK (AP)	4			X
	76000606-1	. . . TRANSFORMER ASSY	1	A		
	76003741-1	. . . TRANSFORMER ASSY	1	B		
-53	73000524-5 TERMINAL BOARD (PS2)	1			X
-54	87001026-1 STANDOFF (AP)	3			
-55	87001030-1 PLATE, TERMINAL BOARD MT	1			
-56	50000754-6 SCREW, BIND. HD 6-32 X .375 (AP)	2			X
-57	51000788-2 WASHER, LOCK (AP)	2			X
-58	52000783-6 NUT, HEXAGON (AP)	2			X
-59	69000090-1 TRANSFORMER FERRORESONANT	1	A		
	69003701-1 TRANSFORMER, FERRORESONANT	1	B		
-60	87001022-2	. . . PLATE, POWER SUPPLY MOUNT	1			

A = USED ON MODEL 715 DEC 60 HZ
B = USED ON MODEL 715 DEC 50 HZ



715D25

Figure 2-25. Regulator Assembly

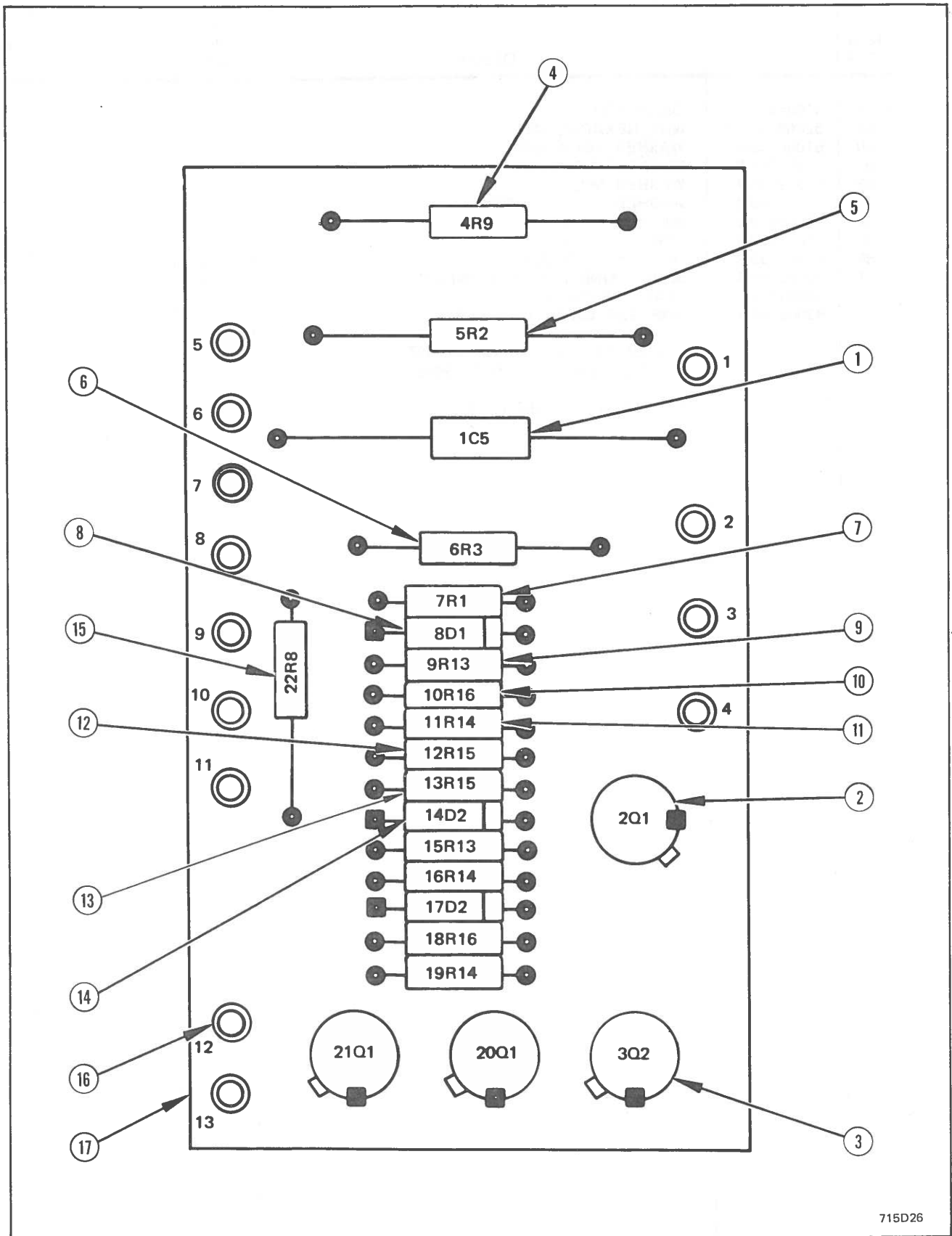
FIG & INDEX	PART NUMBER	DESCRIPTION	UNITS PER ASSY	USED ON CODE	REF. FIG.	SPARE ITEM
25-	76000608-3	REGULATOR ASSY	REF	A	24	X
	76000608-4	REGULATOR ASSY	REF	B	24	X
-1	87001017-1	. COVER, RESISTOR	1			
-2	50000753-4	. SCREW, BIND. HD 4-40 X .250 (AP)	4			X
-3	51000788-1	. WASHER, LOCK (AP)	4			X
-4	87001026-9	. STANDOFF (AP)	4			
-5	59000521-6	. FUSE (F3)	1			X
-6	59000573-1	. FUSEHOLDER	1			X
-7	75000043-3*	. PWA, POWER SUPPLY	1	A	26	X
	75000043-4*	. PWA, POWER SUPPLY	1	B	26	X
-8	50000753-4	. SCREW, BIND. HD 4-40 X .250 (AP)	4			X
-9	87001026-2	. STANDOFF	4			
-10	20000481-10	. RESISTOR, WW 2.4 OHM 50W ±5PCT (R10,R11)	2			
-11	20000481-6	. RESISTOR, WW 1.2 OHM 50W ±5PCT (R7)	1			
-12	50001032-1	. SCREW, RESISTOR MOUNTING (AP)	3			X
-13	51001049-2	. WASHER, RESISTOR CENTERING (AP)	6			X
-14	45003361-15	. GROMMET, NYLON	2			X
-15	50000754-3	. SCREW, BIND. HD 6-32 X .188	10			X
-16	87001033-1	. BAR, GROUND	1			
-17	50000754-10	. SCREW, BIND. HD 6-32 X .625 (AP)	2			X
-18	51000787-3	. WASHER, LOCK (AP)	2			X
-19	51001045-2	. WASHER, SHOULDER (AP)	4			X
-20	87001031-1	. INSULATOR	1			
-21	87001027-4	. COVER, TERMINAL BOARD	1			X
-22	50000753-4	. SCREW, BIND. HD 4-40 X .250 (AP)	3			X
-23	73000568-7	. TERMINAL BOARD (PS1)	1			X
-24	87001026-1	. STANDOFF (AP)	3			
-25	87001020-1	. COVER, TRANSISTOR	1			
-26	50000753-4	. SCREW, BIND. HD 4-40 X .250 (AP)	2			X
-27	87001026-11	. STANDOFF	2			
-28	50000753-5	. SCREW, BIND. HD 4-40 X .312	1			X
-29	51000788-1	. WASHER, LOCK	1			X
-30	52000783-4	. NUT, HEXAGON	1			X
-31	50000754-3	. SCREW, BIND. HD 6-32 X .188	2			X
-32	45000951-3	. BRACKET, RESISTOR	2			
-33	20000480-29	. RESISTOR, WW 100 OHM 25W ±5PCT (R12)	1			
-34	35000031-25	. CAPACITOR, MYLAR .1UFD 100V ±10PCT (C3)	1			
-35	20000478-25	. RESISTOR, WW 10 OHM 5 1/4W ±5PCT (R4)	1			
-36	24000461-1	. TRANSISTOR, (T2,T3)	2			
-37	50000754-10	. SCREW, BIND. HD 6-32 X .625 (AP)	4			X
-38	51001045-2	. WASHER, SHOULDER (AP)	4			X
-39	51000787-3	. WASHER, LOCK (AP)	2			X
-40	57000953-1	. TERMINAL (AP)	2			
-41	52000783-6	. NUT, HEXAGON (AP)	4			X
-42	51003435-1	. INSULATOR, MICA	2			X
-43	20000478-1	. RESISTOR, WW 1 OHM 5 1/4W ±5PCT (R6)	1			
-44	25000460-1	. TRANSISTOR (T4)	1			
-45	50000754-10	. SCREW, BIND. HD 6-32 X .625 (AP)	2			X
-46	51001045-2	. WASHER, SHOULDER (AP)	2			X
-47	57000953-1	. TERMINAL (AP)	2			
-48	52000783-6	. NUT, HEXAGON (AP)	2			X
-49	51003435-1	. INSULATOR, MICA	1			X
-50	11000446-1	. DIODE (Z1)	1			
-51	25000460-1	. TRANSISTOR (T1)	1			
-52	50000754-10	. SCREW, BIND. HD 6-32 X .625 (AP)	4			X
-53	51001045-2	. WASHER, SHOULDER (AP)	4			X
-54	51000787-3	. WASHER, LOCK (AP)	2			X
-55	57000953-1	. TERMINAL (AP)	2			
-56	52000783-6	. NUT, HEXAGON (AP)	4			X
-57	51003435-1	. INSULATOR, MICA	2			X

1991

DATE	DESCRIPTION	AMOUNT	BALANCE
1/1	OPENING BALANCE		100.00
1/15	DEPOSIT	50.00	150.00
2/1	WITHDRAWAL	20.00	130.00
2/15	DEPOSIT	30.00	160.00
3/1	WITHDRAWAL	10.00	150.00
3/15	DEPOSIT	40.00	190.00
4/1	WITHDRAWAL	15.00	175.00
4/15	DEPOSIT	25.00	200.00
5/1	WITHDRAWAL	30.00	170.00
5/15	DEPOSIT	15.00	185.00
6/1	WITHDRAWAL	25.00	160.00
6/15	DEPOSIT	35.00	195.00
7/1	WITHDRAWAL	10.00	185.00
7/15	DEPOSIT	20.00	205.00
8/1	WITHDRAWAL	15.00	190.00
8/15	DEPOSIT	30.00	220.00
9/1	WITHDRAWAL	20.00	200.00
9/15	DEPOSIT	10.00	210.00
10/1	WITHDRAWAL	15.00	195.00
10/15	DEPOSIT	25.00	220.00
11/1	WITHDRAWAL	10.00	210.00
11/15	DEPOSIT	15.00	225.00
12/1	WITHDRAWAL	20.00	205.00
12/15	DEPOSIT	10.00	215.00
12/31	CLOSING BALANCE		215.00



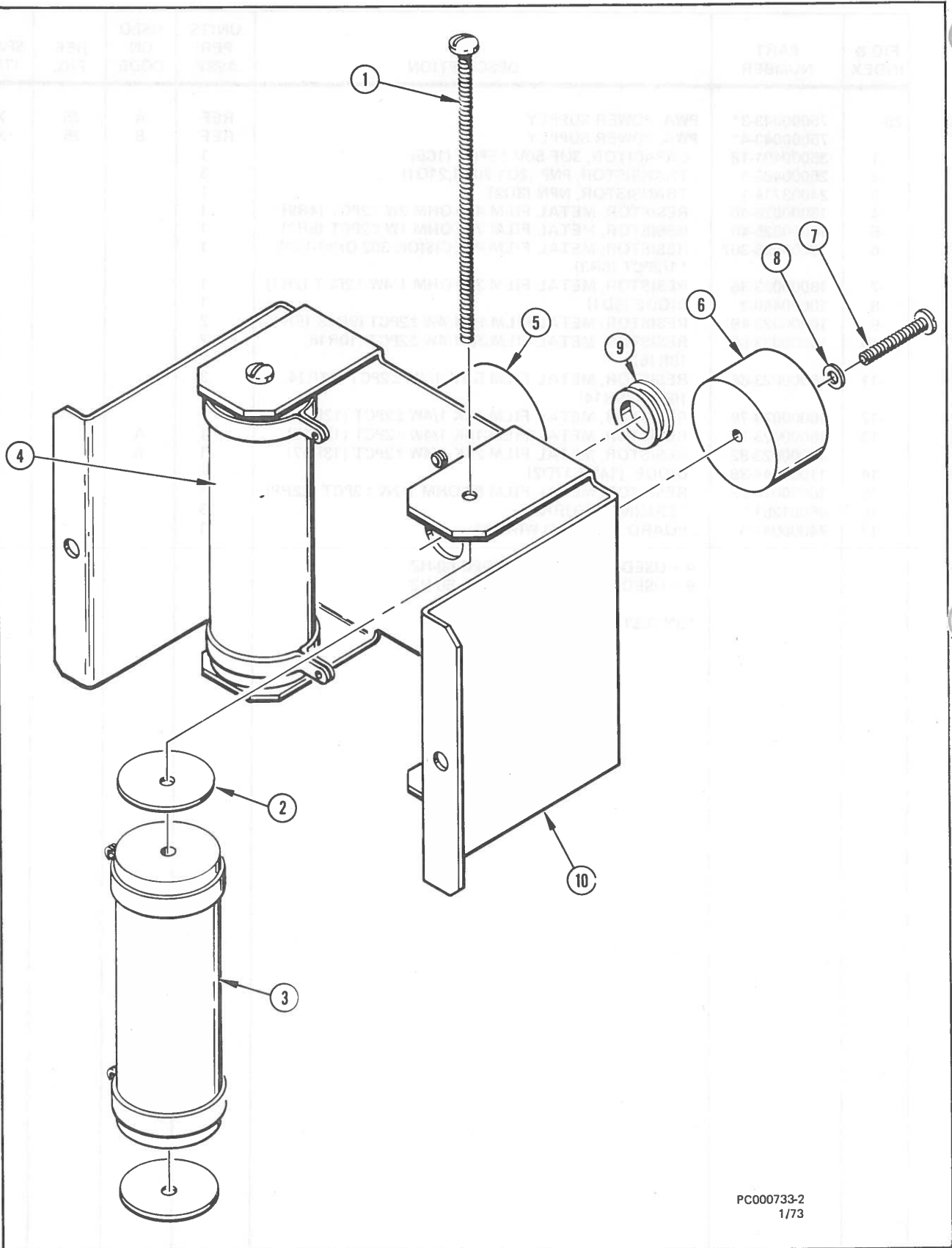
FIG & INDEX	PART NUMBER	DESCRIPTION	UNITS PER ASSY	USED ON CODE	REF. FIG.	SPARE ITEM
25-58	11000445-1	. DIODE (Z2)	1			
-59	52000783-10	. NUT, HEXAGON (AP)	1			X
-60	51000788-4	. WASHER, LOCK (AP)	1			X
-61	51000786-8	. WASHER, PLAIN (AP)	1			X
-62	51003399-1	. WASHER, MICA (AP)	1			X
-63	51001046-2	. WASHER, TEFLON (AP)	1			X
-64	51003399-2	. WASHER, MICA (AP)	1			X
-65	57001050-4	. TERMINAL (AP)	1			
-66	87001039-2	. HEATSINK, REGULATOR	1			
-67	50000753-4	. SCREW, BIND. HD 4-40 X .250 (AP)	3			X
-68	87001016-1	. PLATE, RESISTOR	1			
	83003364-1	. HARNESS ASSY, POWER SUPPLY	1			
		A = USED ON MODEL 715DEC 60-HZ				
		B = USED ON MODEL 715DEC 50-HZ				
		*UNTESTED AS SPARE ITEM				



715D26

Figure 2-26. Power Supply PWA

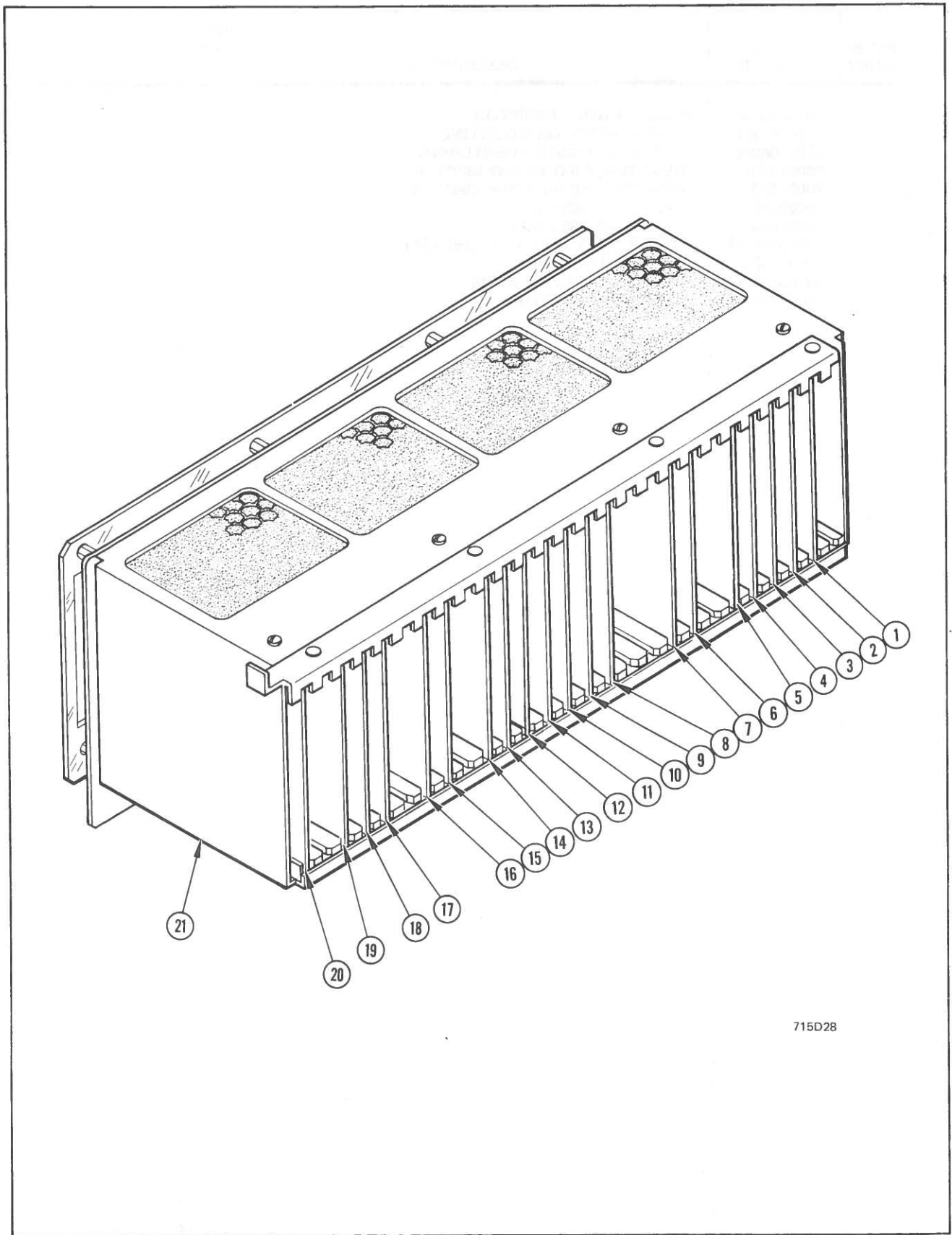
FIG & INDEX	PART NUMBER	DESCRIPTION	UNITS PER ASSY	USED ON CODE	REF. FIG.	SPARE ITEM
26-	75000043-3*	PWA, POWER SUPPLY	REF	A	25	X
	75000043-4*	PWA, POWER SUPPLY	REF	B	25	X
-1	35000491-18	. CAPACITOR, 3UF 50V ±5PCT (1C5)	1			
-2	25000462-1	. TRANSISTOR, PNP (2Q1,20Q1,21Q1)	3			
-3	24003714-1	. TRANSISTOR, NPN (3Q2)	1			
-4	16000026-40	. RESISTOR, METAL FILM 430 OHM 2W ±2PCT (4R9)	1			
-5	16000025-46	. RESISTOR, METAL FILM 750 OHM 1W ±2PCT (5R2)	1			
-6	18000028-307	. RESISTOR, METAL FILM PRECISION 392 OHM 1/2W ±1/2PCT (6R3)	1			
-7	16000023-36	. RESISTOR, METAL FILM 300 OHM 1/4W ±2PCT (7R1)	1			
-8	10000440-1	. DIODE (8D1)	1			
-9	16000023-49	. RESISTOR, METAL FILM 1K 1/4W ±2PCT (9R13,15R13)	2			
-10	16000023-60	. RESISTOR, METAL FILM 3K 1/4W ±2PCT (10R16, 18R16)	2			
-11	16000023-66	. RESISTOR, METAL FILM 5.1K 1/4W ±2PCT (11R14, 16R14,19R14)	3			
-12	16000023-79	. RESISTOR, METAL FILM 18K 1/4W ±2PCT (12R15)	1			
-13	16000023-79	. RESISTOR, METAL FILM 18K 1/4W ±2PCT (13R15)	1	A		
	16000023-82	. RESISTOR, METAL FILM 24K 1/4W ±2PCT (13R17)	1	B		
-14	11000444-39	. DIODE, (14D2,17D2)	2			
-15	16000024-23	. RESISTOR, METAL FILM 82 OHM 1/2W ±2PCT (22R8)	1			
-16	45001261-1	. TERMINAL, TURRET	13			
-17	74000043-5	. BOARD, PRINTED WIRING	1			
		A = USED ON MODEL 715DEC 60-HZ B = USED ON MODEL 715DEC 50-HZ				
		*UNTESTED AS SPARE ITEM				



PC000733-2
1/73

Figure 2-27. Resistor Bracket Assembly

FIG & INDEX	PART NUMBER	DESCRIPTION	UNITS PER ASSY	USED ON CODE	REF. FIG.	SPARE ITEM
27-	88000733-2	BRACKET ASSY, RESISTOR	REF		19	X
-1	50001032-1	. SCREW, RESISTOR MOUNTING	2			X
-2	51001049-4	. WASHER, RESISTOR CENTERING	4			X
-3	20001353-1	. RESISTOR, 0.5 OHM 80W ±3PCT (R13)	1			X
-4	20001353-2	. RESISTOR, 0.8 OHM 80W ±3PCT (R14)	1			X
-5	76003599-1	. INDUCTOR ASSY (L1)	1			
-6	76003600-1	. INDUCTOR ASSY (L2)	1			
-7	50000754-24	. SCREW, BIND. HD 6-32 X 1.250 (AP)	2			X
-8	51000788-2	. WASHER, LOCK (AP)	2			X
-9	45003361-8	. GROMMET, SPLIT PLASTIC	1			X
-10	87001010-1	. BRACKET, RESISTOR	1			



715D28

Figure 2-28. Electronic Gate Matrix

FIG & INDEX	PART NUMBER	DESCRIPTION	UNITS PER ASSY	USED ON CODE	REF. FIG.	SPARE ITEM
28-	76004050-6	GATE MATRIX, ELECTRONIC	REF		20	
-1	75000003-2	. PWA, SELECT 0-9 (A2)	1		29	X
-2	75000068-1	. PWA, SELECT 10-19 (A3)	1		30	X
-3	75004343-1	. PWA, WRITE (A4)	1		31	X
-4	75003548-4	. PWA, READ (A5)	1		32	X
-5	75003978-4	. PWA, DEFECT DETECTOR (A6) (PROPRIETARY ITEM)	1			X
-6	75004484-1	. PWA, HEAD ADDRESS REGISTER (A8)	1		33	X
-7	75003727-3	. PWA, CYLINDER ADDRESS REGISTER (A9)	1		34	X
-8	75003461-5	. PWA, FILE STATUS (A12)	1		35	X
-9	75003728-5	. PWA, DIFFERENCE COUNTER (A13)	1		36	X
-10	75003370-1	. PWA, ACCESS CONTROL (A14)	1		37	X
-11	75002523-3	. PWA, CURVE GENERATOR (A15)	1		38	X
-12	75004293-2	. PWA, DIFFERENCE CALCULATOR (A16)	1		39	X
-13	75003462-8	. PWA, INDEX TRANSDUCER (A17)	1		40	X
-14	75004139-4	. PWA, TEMPERATURE COMPENSATOR (A18) (PROPRIETARY ITEM)	1			X
-15	75003713-4	. PWA, CYLINDER DETECTOR (A20) (PROPRIETARY ITEM)	1			X
-16	75002521-1	. PWA, AGC (A21) (PROPRIETARY ITEM)	1			X
-17	75003719-3	. PWA, TACH (A23) (PROPRIETARY ITEM)	1			X
-18	75003720-5	. PWA, SUM AMP PULSER (A24)	1		41	X
-19	75004138-2	. PWA, CYLINDER SELECT (A25)	1		42	X
-20	75003394-5	. PWA, POWER CONTROL (A27)	1		43	X
-21	76004051-6	. GATE ASSY, ELECTRONIC	1		44	

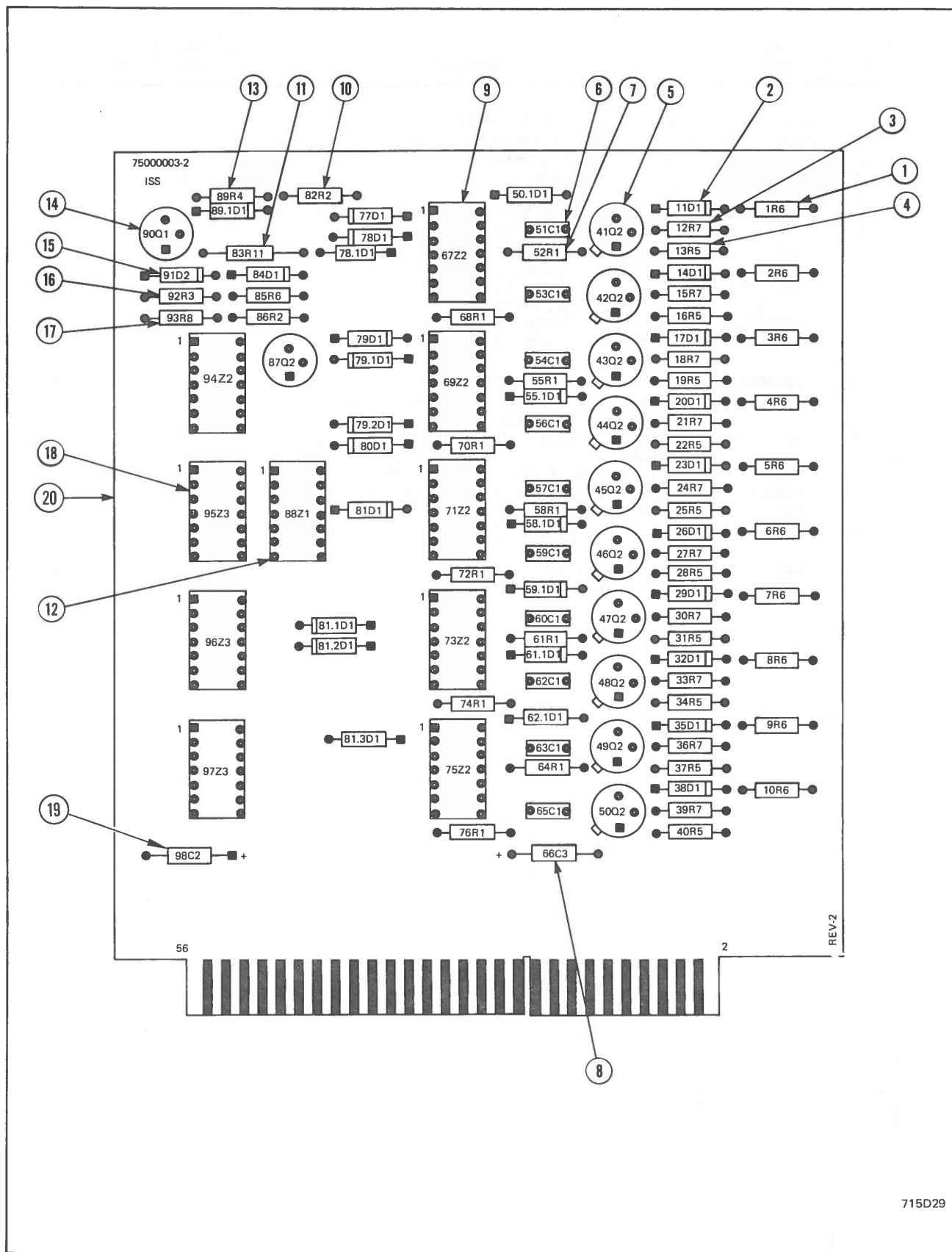


Figure 2-29. Select 0-9 PWA

FIG & INDEX	PART NUMBER	DESCRIPTION	UNITS PER ASSY	USED ON CODE	REF. FIG.	SPARE ITEM
29- -1	75000003-2 16000023-77	PWA, SELECT 0-9 (A2) . RESISTOR, METAL FILM 15K 1/4W ±2PCT (1R6 THRU 10R6,85R6)	REF 11		28	X
-2	10000440-1	. DIODE (11D1,14D1,17D1,20D1,23D1,26D1,29D1,32D1,35D1,38D1,50.1D1,55.1D1,58.1D1,59.1D1,61.1D1,62.1D1,77D1,78D1,78.1D1,79D1,79.1D1,79.2D1,80D1,81D1,81.1D1,81.2D1,81.3D1,84D1,89.1D1)	29			
-3	16000023-82	. RESISTOR, METAL FILM 24K 1/4W ±2PCT (12R7,15R7,18R7,21R7,24R7,27R7,30R7,33R7,36R7,39R7)	10			
-4	16000023-76	. RESISTOR, METAL FILM 13K 1/4W ±2PCT (13R5,16R5,19R5,22R5,25R5,28R5,31R5,34R5,37R5,40R5)	10			
-5	25000453-1	. TRANSISTOR (41Q2 THRU 50Q2,87Q2)	11			
-6	37000037-43	. CAPACITOR, 330PF 500V ±10PCT (51C1,53C1,54C1,56C1,57C1,59C1,60C1,62C1,63C1,65C1)	10			
-7	16000023-44	. RESISTOR, METAL FILM 620 OHM 1/4W ±2PCT (52R1,55R1,58R1,61R1,64R1,68R1,70R1,72R1,74R1,76R1)	10			
-8	38000041-5	. CAPACITOR, 10UF 10V ±20PCT (66C3)	1			
-9	30000432-1	. INTEGRATED CIRCUIT (67Z2,69Z2,71Z2,73Z2,75Z2,94Z2)	6			
-10	16000023-56	. RESISTOR, METAL FILM 2K 1/4W ±2PCT (82R2,86R2)	2			
-11	16000024-64	. RESISTOR, METAL FILM 4.3K 1/2W ±2PCT (83R11)	1			
-12	30000431-1	. INTEGRATED CIRCUIT (88Z1)	1			
-13	16000023-70	. RESISTOR, METAL FILM 7.5K 1/4W ±2PCT (89R4)	1			
-14	24000452-1	. TRANSISTOR (90Q1)	1			
-15	11000444-20	. DIODE (91D2)	1			
-16	16000023-61	. RESISTOR, METAL FILM 3.3K 1/4W ±2PCT (92R3)	1			
-17	16000023-89	. RESISTOR, METAL FILM 47K 1/4W ±2PCT (93R8)	1			
-18	30000436-1	. INTEGRATED CIRCUIT (95Z3,96Z3,97Z3)	3			
-19	38000040-11	. CAPACITOR, TANT .68UF 60V ±20PCT (98C2)	1			
-20	74000527-2	. BOARD, PRINTED WIRING	1			

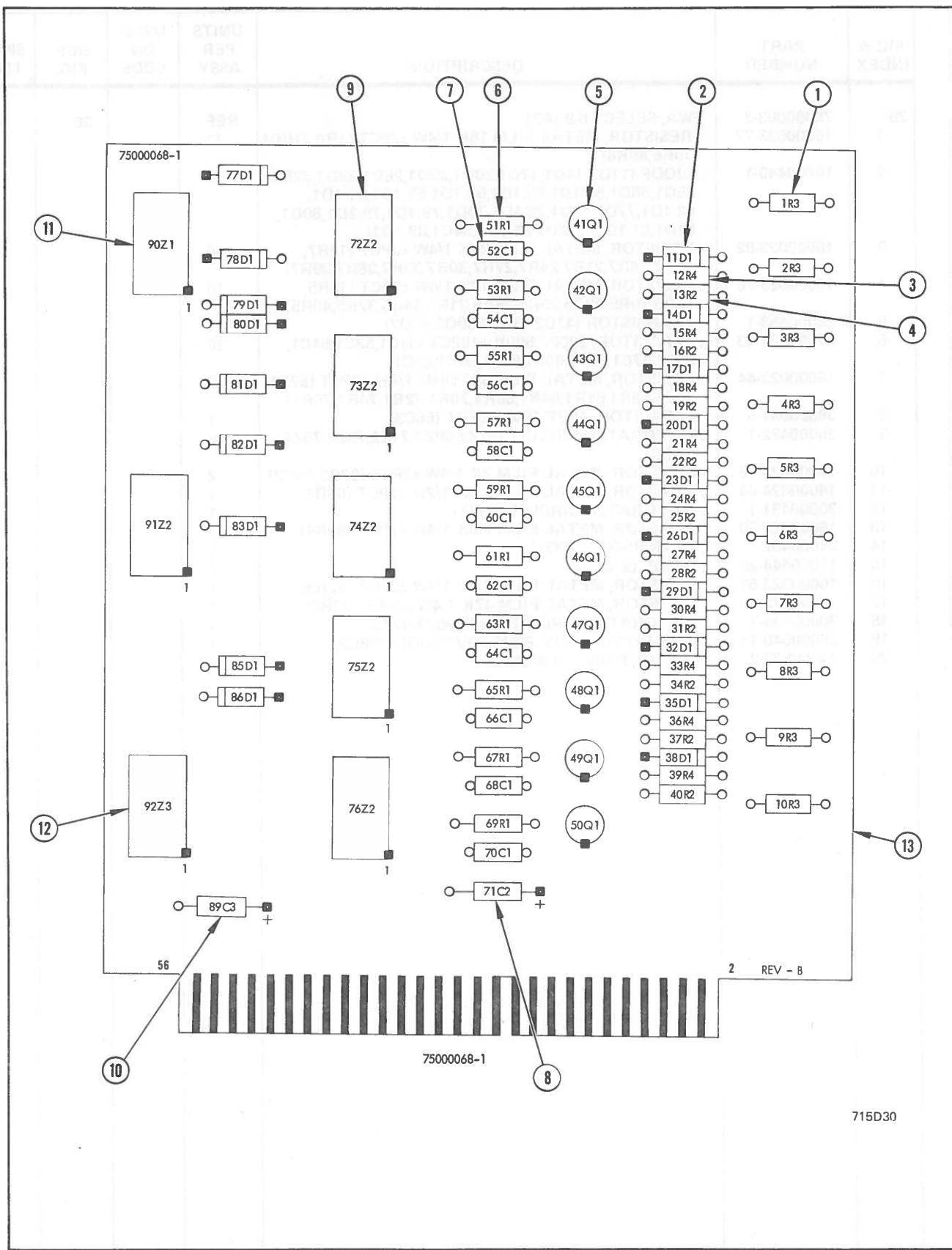


Figure 2-30. Select 10-19 PWA

FIG & INDEX	PART NUMBER	DESCRIPTION	UNITS PER ASSY	USED ON CODE	REF. FIG.	SPARE ITEM
30- -1	75000068-1 16000023-77	PWA, SELECT 10-19 (A3) . RESISTOR, METAL FILM 15K 1/4W ±2PCT (1R3 THRU 10R3)	REF 10		28	X
-2	10000440-1	. DIODE, (11D1,14D1,17D1,20D1,23D1,26D1,29D1,32D1,35D1,38D1,77D1,78D1,79D1,80D1,81D1,82D1,83D1,85D1,86D1)	19			
-3	16000023-82	. RESISTOR, METAL FILM 24K 1/4W ±2PCT (12R4, 15R4,18R4,21R4,24R4,27R4,30R4,33R4,36R4,39R4)	10			
-4	16000023-76	. RESISTOR, METAL FILM 13K 1/4W ±2PCT (13R2, 16R2,19R2,22R2,25R2,28R2,31R2,34R2,37R2,40R2)	10			
-5	25000453-1	. TRANSISTOR, (41Q1 THRU 50Q1)	10			
-6	16000023-44	. RESISTOR, METAL FILM 620 OHM 1/4W ±2PCT (51R1,53R1,55R1,57R1,59R1,61R1,63R1,65R1,67R1,69R1)	10			
-7	37000037-43	. CAPACITOR, 330PF ±10PCT (52C1,54C1,56C1,58C1,60C1,62C1,64C1,66C1,68C1,70C1)	10			
-8	38000041-5	. CAPACITOR, 10UF 10V ±20PCT (71C2)	1			
-9	30000432-1	. INTEGRATED CIRCUIT, (72Z2,73Z2,74Z2,75Z2,76Z2,91Z2)	6			
-10	38000040-11	. CAPACITOR, .68UF 60V ±20PCT (89C3)	1			
-11	30000431-1	. INTEGRATED CIRCUIT, (90Z1)	1			
-12	30000436-1	. INTEGRATED CIRCUIT, (92Z3)	1			
-13	74000074-1	. BOARD, PRINTED WIRING	1			

FIG & INDEX	PART NUMBER	DESCRIPTION	UNITS PER ASSY	USED ON CODE	REF. FIG.	SPARE ITEM
31-	75004343-1	PWA, WRITE (A4)	REF		28	X
-1	16000023-88	. RESISTOR, METAL FILM 43K 1/4W ±2PCT (1R23, 13R23,55R23,79R23,83R23,86R23,90R23)	7			
-2	16000023-56	. RESISTOR, METAL FILM 2K 1/4W ±2PCT (2R11,14R11, 80R11,85R11,87R11,91R11,108R11,109R11,114R11, 126R11,127R11,148R11,149R11)	13			
-3	10000440-1	. DIODE (3D1,4D1,5D1,66D1,67D1,68D1,76D1,94D1, 112D1,120D1,122D1,152D1)	12			
-4	30000436-1	. INTEGRATED CIRCUIT (6Z3,158Z3)	2			
-5	16000024-65	. RESISTOR, METAL FILM 4.7K 1/2W ±2PCT (7R28, 137R28,138R28,139R28,140R28)	5			
-6	16000023-49	. RESISTOR, METAL FILM 1K 1/4W ±2PCT (8R9,10R9, 20R9,47R9,48R9,57R9,62R9,107R9,116R9,145R9)	10			
-7	16000023-43	. RESISTOR, METAL FILM 560 OHM 1/4W ±2PCT (9R7, 15R7,16R7,49R7,64R7,78R7,88R7,113R7)	8			
-8	16000023-75	. RESISTOR, METAL FILM 12K 1/4W ±2PCT (11R24, 12R24)	2			
-9	16000023-73	. RESISTOR, METAL FILM 10K 1/4W ±2PCT (17R18, 18R18,44R18,84R18,89R18)	5			
-10	16000023-80	. RESISTOR, METAL FILM 20K 1/4W ±2PCT (19R21, 77R21)	2			
-11	38000041-5	. CAPACITOR, 10UF 10V ±20PCT (21C7)	1			
-12	37000037-17	. CAPACITOR, 33PF 500V ±10PCT (22C1)	1			
-13	25000453-1	. TRANSISTOR (23Q2,24Q2,32Q2,38Q2,39Q2,95Q2, 99Q2,102Q2,156Q2,157Q2)	10			
-14	24000452-1	. TRANSISTOR (25Q1,33Q1,37Q1,72Q1,73Q1,101Q1, 129Q1)	7			
-15	16000023-66	. RESISTOR, METAL FILM 5.1K 1/4W ±2PCT (26R15, 29R15,105R15,111R15,123R15,141R15)	6			
-16	16000023-84	. RESISTOR, METAL FILM 30K 1/4W ±2PCT (27R22, 28R22,106R22)	3			
-17	16000023-53	. RESISTOR, METAL FILM 1.5K 1/4W ±2PCT (30R31, 69R31,125R31)	3			
-18	24000457-1	. TRANSISTOR (31Q4,34Q4,35Q4,36Q4,40Q4,74Q4, 100Q4,131Q4,132Q4,133Q4,134Q4,135Q4)	12			
-19	16000024-60	. RESISTOR, METAL FILM 3K 1/2W ±2PCT (41R29)	1			
-20	16000024-41	. RESISTOR, METAL FILM 470 OHM 1/2W ±2PCT (42R25, 43R25)	2			
-21	16000023-42	. RESISTOR, METAL FILM 510 OHM 1/4W ±2PCT (45R6,53R6,144R6)	3			
-22	16000023-25	. RESISTOR, METAL FILM 100 OHM 1/4W ±2PCT (46R1)	1			
-23	16000023-67	. RESISTOR, METAL FILM 5.6K 1/4W ±2PCT (50R12)	1			
-24	11000444-22	. DIODE (51D2)	1			
-25	16000023-70	. RESISTOR, METAL FILM 7.5K 1/4W ±2PCT (52R17)	1			
-26	16000024-70	. RESISTOR, METAL FILM 7.5K 1/2W ±2PCT (54R30)	1			
-27	16000023-68	. RESISTOR, METAL FILM 6.2K 1/4W ±2PCT (56R16, 146R16)	2			
-28	16000023-44	. RESISTOR, METAL FILM 620 OHM 1/4W ±2PCT (58R8)	1			
-29	16000024-64	. RESISTOR, METAL FILM 4.3K 1/2W ±2PCT (59R27)	1			
-30	11000444-36	. DIODE (60D4)	1			
-31	16000024-54	. RESISTOR, METAL FILM 1.6K 1/2W ±2PCT (61R26)	1			
-32	35000031-5	. CAPACITOR, .0022UF 100V ±10PCT (63C8)	1			
-33	30000434-1	. INTEGRATED CIRCUIT (65Z1,97Z1,130Z1)	3			
-34	16000023-77	. RESISTOR, METAL FILM 15K 1/4W ±2PCT (70R20, 82R20,92R20,121R20,124R20)	5			
-35	24000654-1	. TRANSISTOR (71Q3)	1			
-36	35000031-21	. CAPACITOR, .047UF 100V ±10PCT (75C4)	1			



FIG & INDEX	PART NUMBER	DESCRIPTION	UNITS PER ASSY	USED ON CODE	REF. FIG.	SPARE ITEM
31-37	16000023-32	. RESISTOR, METAL FILM 200 OHM 1/4W ±2PCT (81R3, 143R3)	2			
-38	16000023-79	. RESISTOR, METAL FILM 18K 1/4W ±2PCT (93R19, 151R19)	2			
-39	30000435-1	. INTEGRATED CIRCUIT (96Z2)	1			
-40	38000038-1	. CAPACITOR, 1.5UF 25V ±2PCT (98C6,147C6)	2			
-41	24001354-1	. TRANSISTOR (103Q5)	1			
-42	16000023-61	. RESISTOR, METAL FILM 3.3K 1/4W ±2PCT (104R14)	1			
-43	16000023-60	. RESISTOR, METAL FILM 3K 1/4W ±2PCT (110R13)	1			
-44	16000023-41	. RESISTOR, METAL FILM 470 OHM 1/4W ±2PCT (115R5,150R5)				
-45	16000023-29	. RESISTOR, METAL FILM 150 OHM 1/4W ±2PCT (117R2,119R2)	2			
-46	16000023-38	. RESISTOR, METAL FILM 360 OHM 1/4W ±2PCT (118R10)	1			
-47	37000473-40	. CAPACITOR, 250PF 500V ±2PCT (128C2)	1			
-48	35000031-13	. CAPACITOR, .01UF 100V ±10PCT (136C3)	1			
-49	38000040-11	. CAPACITOR, 68UF 75V ±20PCT (142C5)	1			
-50	11000444-28	. DIODE (153D3)	1			
-51	16000023-35	. RESISTOR, METAL FILM 270 OHM 1/4W ±2PCT (154R4,155R4)	2			
-52	74004343-2	. BOARD, PRINTED WIRING	1			

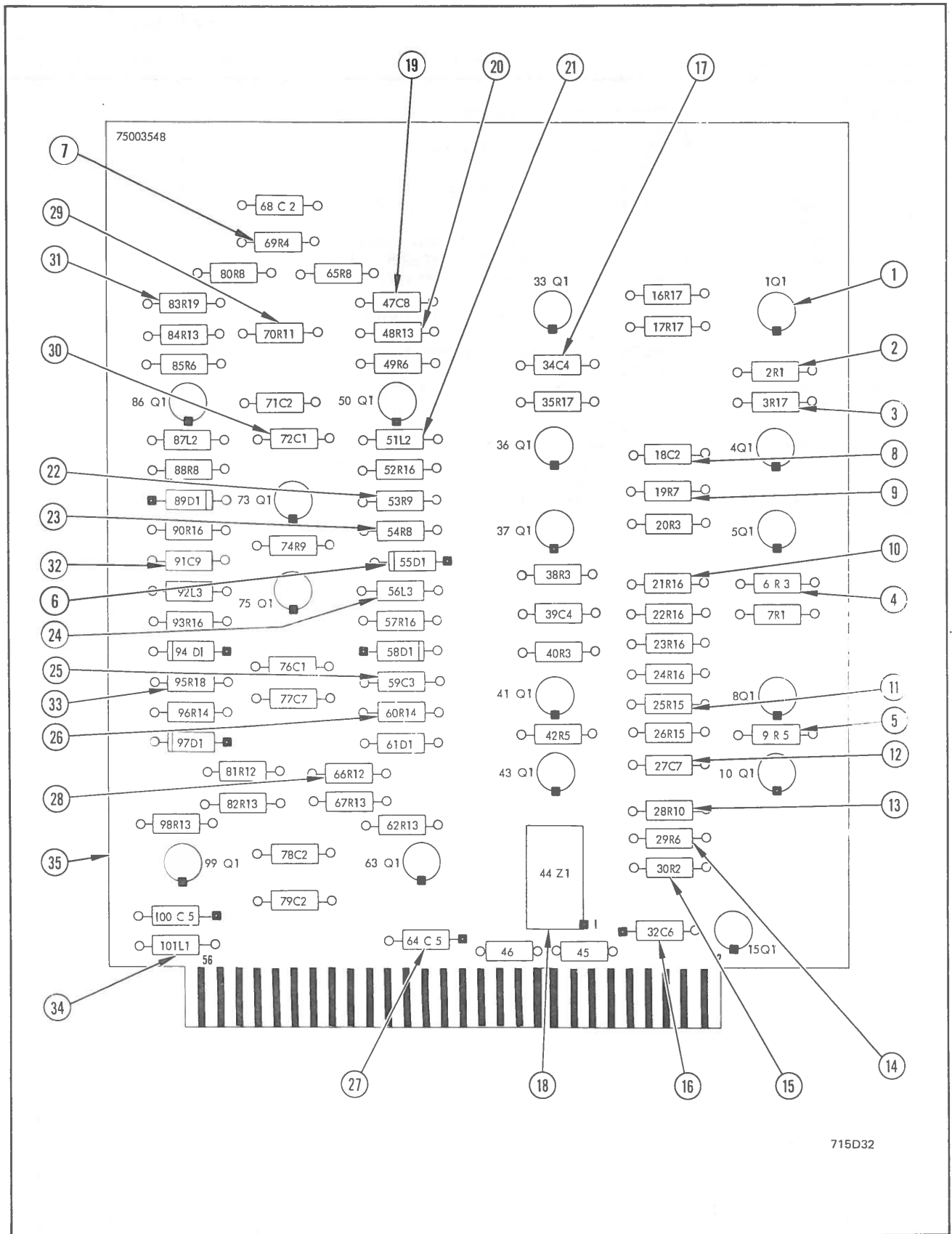
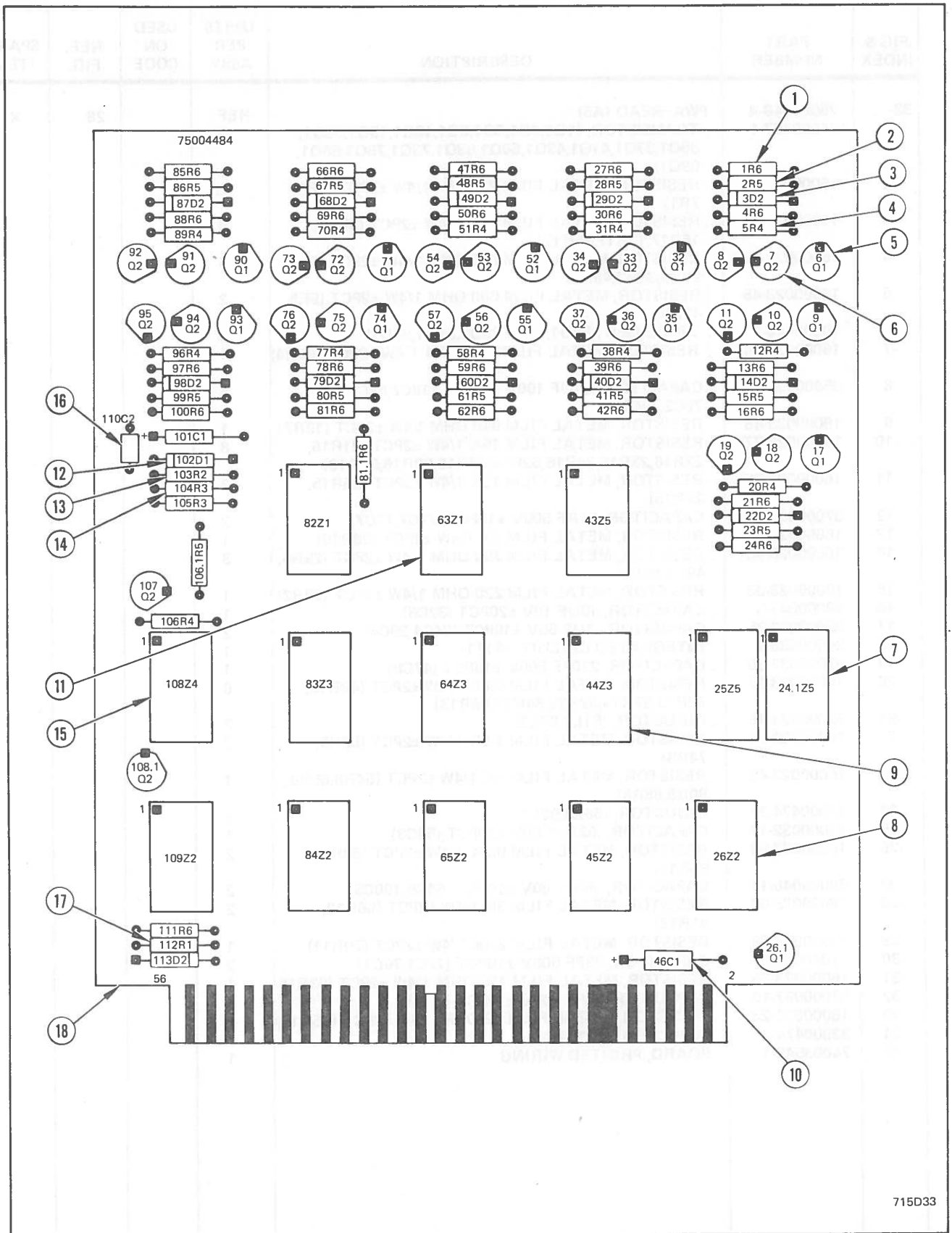


Figure 2-32. Read PWA

FIG & INDEX	PART NUMBER	DESCRIPTION	UNITS PER ASSY	USED ON CODE	REF. FIG.	SPARE ITEM
32- -1	75003548-4 24000457-1	PWA, READ (A5) . TRANSISTOR, (1Q1,4Q1,5Q1,8Q1,10Q1,15Q1,33Q1, 36Q1,37Q1,41Q1,43Q1,50Q1,63Q1,73Q1,75Q1,86Q1, 99Q1)	REF 17		28	X
-2	16000023-9	. RESISTOR, METAL FILM 22 OHM 1/4W ±2PCT (2R1, 7R1)	2			
-3	16000023-79	. RESISTOR, METAL FILM 18K 1/4W ±2PCT (3R17, 16R17,17R17,35R17)	4			
-4	16000023-42	. RESISTOR, METAL FILM 510 OHM 1/4W ±2PCT (6R3, 20R3,38R3,40R3)	4			
-5	16000023-45	. RESISTOR, METAL FILM 680 OHM 1/4W ±2PCT (9R5, 42R5)	2			
-6	10000440-1	. DIODE, (55D1,58D1,61D1,89D1,94D1,97D1)	6			
-7	16000023-44	. RESISTOR, METAL FILM 620 OHM 1/4W ±2PCT (69R4)	1			
-8	35000030-13	. CAPACITOR, .01UF 100V ±10PCT (18C2,68C2,71C2, 78C2,79C2)	5			
-9	16000023-48	. RESISTOR, METAL FILM 910 OHM 1/4W ±2PCT (19R7)	1			
-10	16000023-77	. RESISTOR, METAL FILM 15K 1/4W ±2PCT (21R16, 22R16,23R16,24R16,52R16,57R16,90R16,93R16)	8			
-11	16000023-75	. RESISTOR, METAL FILM 12K 1/4W ±2PCT (25R15, 26R15)	2			
-12	37000037-23	. CAPACITOR, 51RF 500V ±10PCT (27C7,77C7)	2			
-13	16000023-56	. RESISTOR, METAL FILM 2K 1/4W ±2PCT (28R10)	1			
-14	16000023-46	. RESISTOR, METAL FILM 750 OHM 1/4W ±2PCT (29R6, 49R6,85R6)	3			
-15	16000023-33	. RESISTOR, METAL FILM 220 OHM 1/4W ±2PCT (30R2)	1			
-16	38000041-5	. CAPACITOR, 10UF 10V ±20PCT (32C6)	1			
-17	35000032-25	. CAPACITOR, .1UF 50V ±10PCT (34C4,39C4)	2			
-18	30000438-1	. INTEGRATED CIRCUIT, (44Z1)	1			
-19	37000037-38	. CAPACITOR, 220PF 500V ±10PCT (47C8)	1			
-20	16000023-67	. RESISTOR, METAL FILM 5.6K 1/4W ±2PCT (48R13, 62R13,67R13,82R13,84R13,98R13)	6			
-21	32000474-15	. INDUCTOR, (51L2,87L2)	2			
-22	16000023-53	. RESISTOR, METAL FILM 1.5K 1/4W ±2PCT (53R9, 74R9)	2			
-23	16000023-49	. RESISTOR, METAL FILM 1K 1/4W ±2PCT (54R8,65R8, 80R8,88R8)	4			
-24	32000474-27	. INDUCTOR, (56L3,92L3)	2			
-25	35000032-17	. CAPACITOR, .022UF 50V ±10PCT (59C3)	1			
-26	16000023-68	. RESISTOR, METAL FILM 6.2K 1/4W ±2PCT (60R14, 96R14)	2			
-27	38000040-11	. CAPACITOR, .68UF 60V ±10PCT (64C5,100C5)	2			
-28	16000023-60	. RESISTOR, METAL FILM 3K 1/4W ±2PCT (66R12, 81R12)	2			
-29	16000023-58	. RESISTOR, METAL FILM 2.4K 1/4W ±2PCT (70R11)	1			
-30	37000037-17	. CAPACITOR, 33PF 500V ±10PCT (72C1,76C1)	2			
-31	16000023-28	. RESISTOR, METAL FILM 130 OHM 1/4W ±2PCT (83R19)	1			
-32	37000037-10	. CAPACITOR, 15PF 500V ±10PCT (91C9)	1			
-33	16000023-23	. RESISTOR, METAL FILM 82 OHM 1/4W ±2PCT (95R18)	1			
-34	32000474-32	. INDUCTOR, (101L1)	1			
-35	74003548-1	. BOARD, PRINTED WIRING	1			



715D33

Figure 2-33. Head Address Register PWA

FIG & INDEX	PART NUMBER	DESCRIPTION	UNITS PER ASSY	USED ON CODE	REF. FIG.	SPARE ITEM
33- -1	75004484-1 16000023-68	PWA, HEAD ADDRESS REGISTER (A8) . RESISTOR, METAL FILM 6.2K 1/4W ±2PCT (1R6,4R6, 13R6,16R6,21R6,24R6,27R6,30R6,39R6,42R6,47R6, 50R6,59R6,62R6,66R6,69R6,78R6,81R6,81.1R6,85R6, 88R6,97R6,100R6,111R6)	REF 24		28	X
-2	16000023-50	. RESISTOR, METAL FILM 1.1K 1/4W ±2PCT (2R5,15R5, 23R5,28R5,41R5,48R5,61R5,67R5,80R5,86R5,99R5, 106.1R5)	12			
-3	10000567-1	. DIODE, (3D2,14D2,22D2,29D2,40D2,49D2,60D2,68D2, 79D2,87D2,98D2,113D2)	12			
-4	16000023-38	. RESISTOR, METAL FILM 360 OHM 1/4W ±2PCT (5R4, 12R4,20R4,31R4,38R4,51R4,58R4,70R4,77R4,89R4, 96R4,106R4)	12			
-5	24000457-1	. TRANSISTOR, (6Q1,9Q1,17Q1,26.1Q1,32Q1,35Q1, 52Q1,55Q1,71Q1,74Q1,90Q1,93Q1)	12			
-6	25000462-1	. TRANSISTOR, (7Q2,8Q2,10Q2,11Q2,18Q2,19Q2,33Q2, 34Q2,36Q2,37Q2,53Q2,54Q2,56Q2,57Q2,72Q2,73Q2, 75Q2,76Q2,91Q2,92Q2,94Q2,95Q2,107Q2, 108.1Q2)	24			
-7	30000438-1	. INTEGRATED CIRCUIT (24.1Z5,25Z5,43Z5)	3			
-8	30000435-1	. INTEGRATED CIRCUIT (26Z2,45Z2,65Z2,84Z2,109Z2)	5			
-9	30000436-1	. INTEGRATED CIRCUIT (44Z3,64Z3,83Z3)	3			
-10	38000041-5	. CAPACITOR, 10UF 10V ±20PCT (46C1,101C1)	2			
-11	30000434-1	. INTEGRATED CIRCUIT (63Z1,82Z1)	2			
-12	11000444-6	. DIODE, (102D1)	1			
-13	16000023-24	. RESISTOR, METAL FILM 91 OHM 1/4W ±2PCT (103R2)	1			
-14	16000023-41	. RESISTOR, METAL FILM 470 OHM 1/4W ±2PCT (104R3,105R3)	2			
-15	30001249-1	. INTEGRATED CIRCUIT (108Z4)	1			
-16	40003365-14	. CAPACITOR, .022UF 50V ±20PCT (110C2)	1			
-17	16000023-25	. RESISTOR, METAL FILM 100 OHM 1/4W ±2PCT (112R1)	1			
-18	74003625-4	. BOARD, PRINTED WIRING	1			

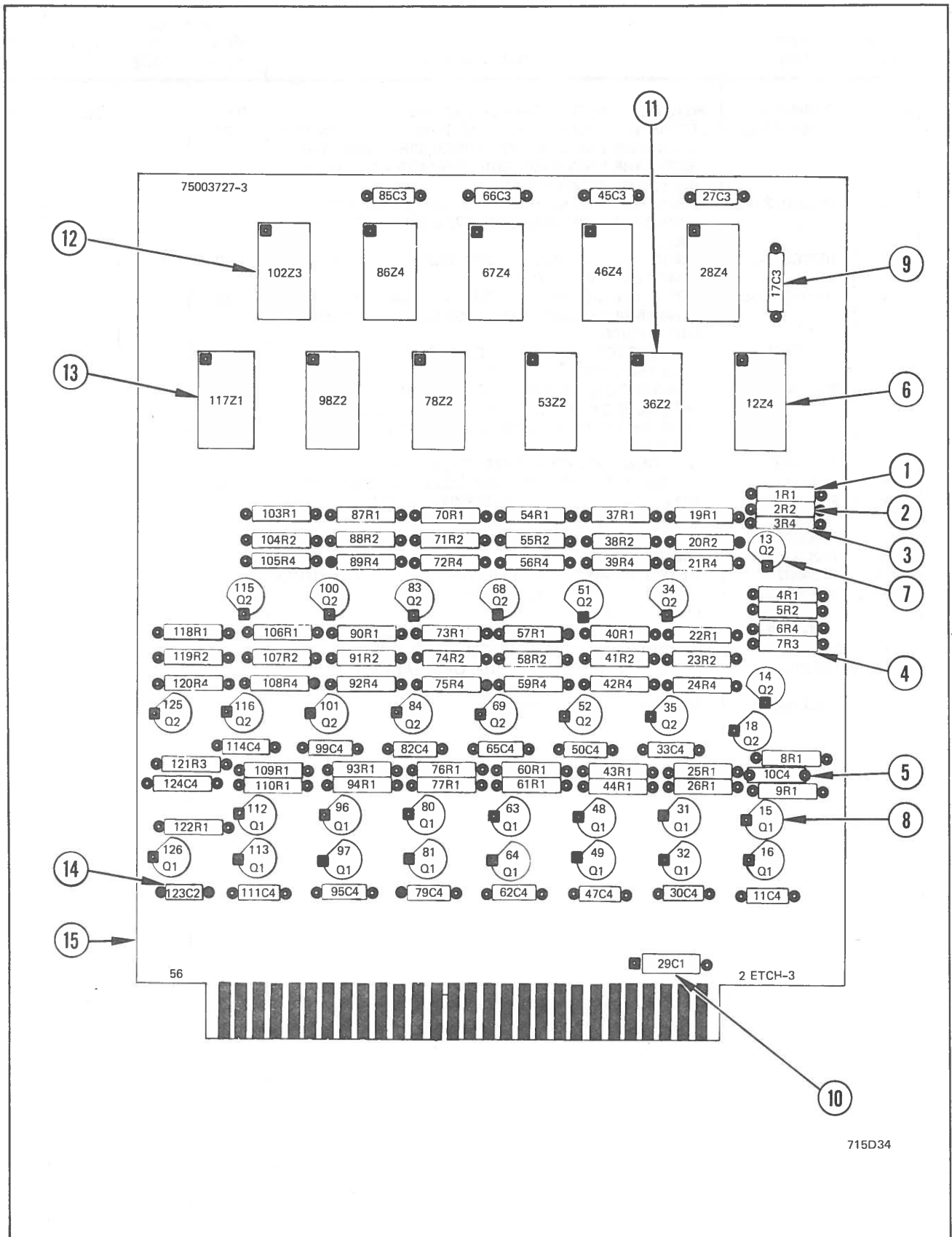
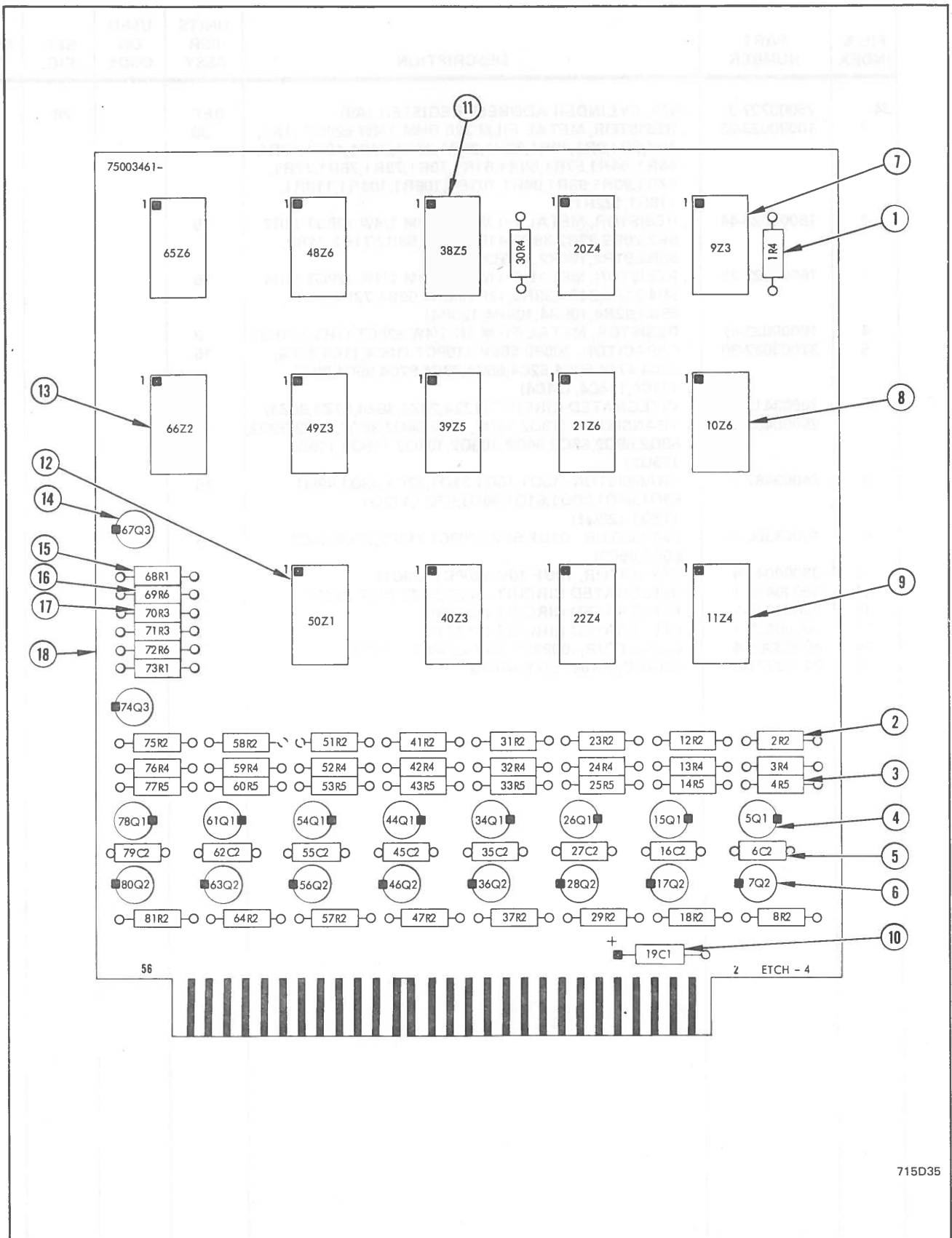


Figure 2-34. Cylinder Address Register PWA

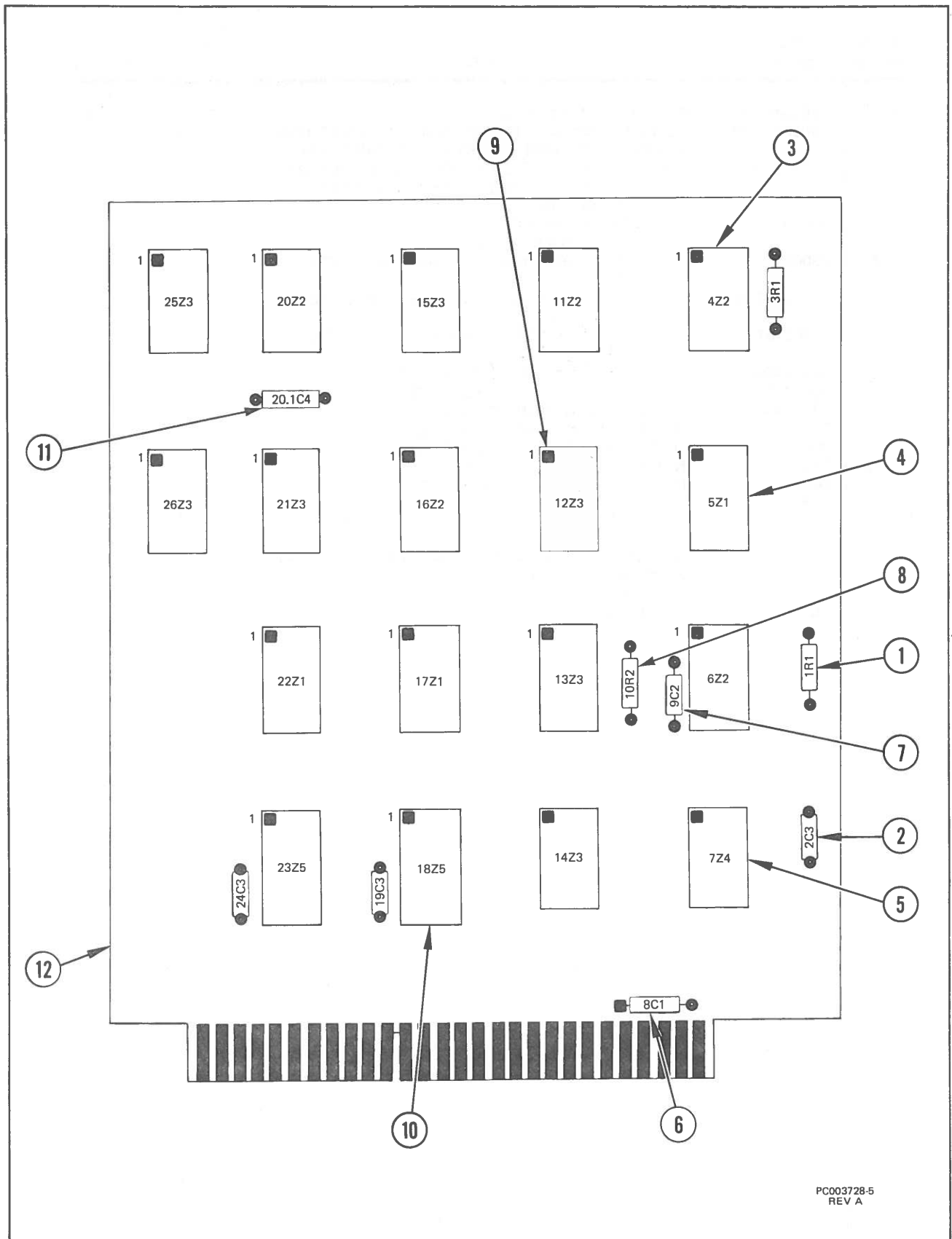
FIG & INDEX	PART NUMBER	DESCRIPTION	UNITS PER ASSY	USED ON CODE	REF. FIG.	SPARE ITEM
34- -1	75003727-3 16000023-33	PWA, CYLINDER ADDRESS REGISTER (A9) . RESISTOR, METAL FILM 220 OHM 1/4W ±2PCT (1R1, 4R1,8R1,9R1,19R1,22R1,25R1,26R1,37R1,40R1,43R1, 44R1, 54R1,57R1,60R1,61R1,70R1,73R1,76R1,77R1, 87R1,90R1,93R1,94R1,103R1,106R1,109R1,110R1, 118R1,122R1)	REF 30		28	X
-2	16000023-44	. RESISTOR, METAL FILM 620 OHM 1/4W ±2PCT (2R2, 5R2,20R2,23R2,38R2,41R2,55R2,58R2,71R2,74R2, 88R2,91R2,104R2,107R2,119R2)	15			
-3	16000023-28	. RESISTOR, METAL FILM 130 OHM 1/4W ±2PCT (3R4, 6R4,21R4,24R4,39R4,42R4,56R4,59R4,72R4,75R4, 89R4,92R4,105R4,108R4,120R4)	15			
-4	16000023-49	. RESISTOR, METAL FILM 1K 1/4W ±2PCT (7R3,121R3)	2			
-5	37000037-30	. CAPACITOR, 100PF 500V ±10PCT (10C4,11C4,30C4, 33C4,47C4,50C4,62C4,65C4,79C4,82C4,95C4,99C4, 111C4,114C4,124C4)	15			
-6	30003417-1	. INTEGRATED CIRCUIT (12Z4,28Z4,46Z4,67Z4,86Z4)	5			
-7	25000462-1	. TRANSISTOR (13Q2,14Q2,18Q2,34Q2,35Q2,51Q2,52Q2, 68Q2,69Q2,83Q2,84Q2,100Q2,101Q2,115Q2,116Q2, 125Q2)	16			
-8	24003467-1	. TRANSISTOR (15Q1,16Q1,31Q1,32Q1,48Q1,49Q1, 63Q1,64Q1,80Q1,81Q1,96Q1,97Q1,112Q1, 113Q1,126Q1)	15			
-9	40003365-12	. CAPACITOR, .01UF 50V ±20PCT (17C3,27C3,45C3, 66C3,85C3)	5			
-10	38000041-5	. CAPACITOR, 10UF 10V ±20PCT (29C1)	1			
-11	30000436-1	. INTEGRATED CIRCUIT (36Z2,53Z2,78Z2,98Z2)	4			
-12	30001249-1	. INTEGRATED CIRCUIT (102Z3)	1			
-13	30000432-1	. INTEGRATED CIRCUIT (117Z1)	1			
-14	40003365-4	. CAPACITOR, .0022UF 50V ±20PCT (123C2)	1			
-15	74003727-3	. BOARD, PRINTED WIRING	1			



715D35

Figure 2-35. File Status PWA

FIG & INDEX	PART NUMBER	DESCRIPTION	UNITS PER ASSY	USED ON CODE	REF. FIG.	SPARE ITEM
35-	75003461-5	PWA, FILE STATUS (A12)	REF		28	X
-1	16000023-44	. RESISTOR, METAL FILM 620 OHM 1/4W ±2PCT (1R4, 3R4, 13R4, 24R4, 30R4, 32R4, 42R4, 52R4, 59R4, 76R4)	10			
-2	16000023-33	. RESISTOR, METAL FILM 220 OHM 1/4W ±2PCT (2R2, 8R2, 12R2, 18R2, 23R2, 29R2, 31R2, 37R2, 41R2, 47R2, 51R2, 57R2, 58R2, 64R2, 75R2, 81R2)	16			
-3	16000023-28	. RESISTOR, METAL FILM 130 OHM 1/4W ±2PCT (4R5, 14R5, 25R5, 33R5, 43R5, 53R5, 60R5, 77R5)	8			
-4	25000462-1	. TRANSISTOR, (5Q1, 15Q1, 26Q1, 34Q1, 44Q1, 54Q1, 61Q1, 78Q1)	8			
-5	37000037-30	. CAPACITOR, 100PF 500V ±10PCT (6C2, 16C2, 27C2, 35C2, 45C2, 55C2, 62C2, 79C2)	8			
-6	24003467-1	. TRANSISTOR (7Q2, 17Q2, 28Q2, 36Q2, 46Q2, 56Q2, 63Q2, 80Q2)	8			
-7	30000434-1	. INTEGRATED CIRCUIT (9Z3, 40Z3, 49Z3)	3			
-8	30000438-1	. INTEGRATED CIRCUIT (10Z6, 21Z6, 48Z6, 65Z6)	4			
-9	30000436-1	. INTEGRATED CIRCUIT (11Z4, 20Z4, 22Z4)	3			
-10	38000041-5	. CAPACITOR, 10UF 10V ±20PCT (19C1)	1			
-11	30000437-1	. INTEGRATED CIRCUIT (38Z5, 39Z5)	2			
-12	30000431-1	. INTEGRATED CIRCUIT (50Z1)	1			
-13	30000433-1	. INTEGRATED CIRCUIT (66Z2)	1			
-14	24000452-1	. TRANSISTOR (67Q3, 74Q3)	2			
-15	16000023-5	. RESISTOR, METAL FILM 15 OHM 1/4W ±2PCT (68R1, 73R1)	2			
-16	16000023-56	. RESISTOR, METAL FILM 2K 1/4W ±2PCT (69R6, 72R6)	2			
-17	16000023-43	. RESISTOR, METAL FILM 560 OHM 1/4W ±2PCT (70R3, 71R3)	2			
-18	74003461-5	. BOARD, PRINTED WIRING	1			



PC003728-5
REV A

Figure 2-36. Difference Counter PWA

FIG & INDEX	PART NUMBER	DESCRIPTION	UNITS PER ASSY	USED ON CODE	REF. FIG.	SPARE ITEM
36-	75003728-5	PWA, DIFFERENCE COUNTER (A13)	REF		28	X
-1	16000023-49	. RESISTOR, METAL FILM 1K 1/4W ±2PCT (1R1,3R1)	2			
-2	40003365-12	. CAPACITOR, .01UF 50V ±20PCT (2C3,19C3,24C3)	3			
-3	30000436-1	. INTEGRATED CIRCUIT (4Z2,6Z2,11Z2,16Z2,20Z2)	5			
-4	30000438-1	. INTEGRATED CIRCUIT (5Z1,17Z1,22Z1)	3			
-5	30003417-1	. INTEGRATED CIRCUIT (7Z4)	1			
-6	38000041-5	. CAPACITOR, 10UF 10V ±20PCT (8C1)	1			
-7	35000032-5	. CAPACITOR, .0022UF 50V ±10PCT (9C2)	1			
-8	16000023-22	. RESISTOR, METAL FILM 75 OHM 1/4W ±2PCT (10R2)	1			
-9	30000434-1	. INTEGRATED CIRCUIT (10.1Z3,12Z3,13Z3,14Z3,15Z3,21Z3,25Z3,26Z3)	8			
-10	30004322-1	. INTEGRATED CIRCUIT (18Z5,23Z5)	2			
-11	37000037-49	. CAPACITOR, 510PF 500V ±10PCT (20.1C4)	1			
-12	74003728-5	. BOARD, PRINTED WIRING	1			

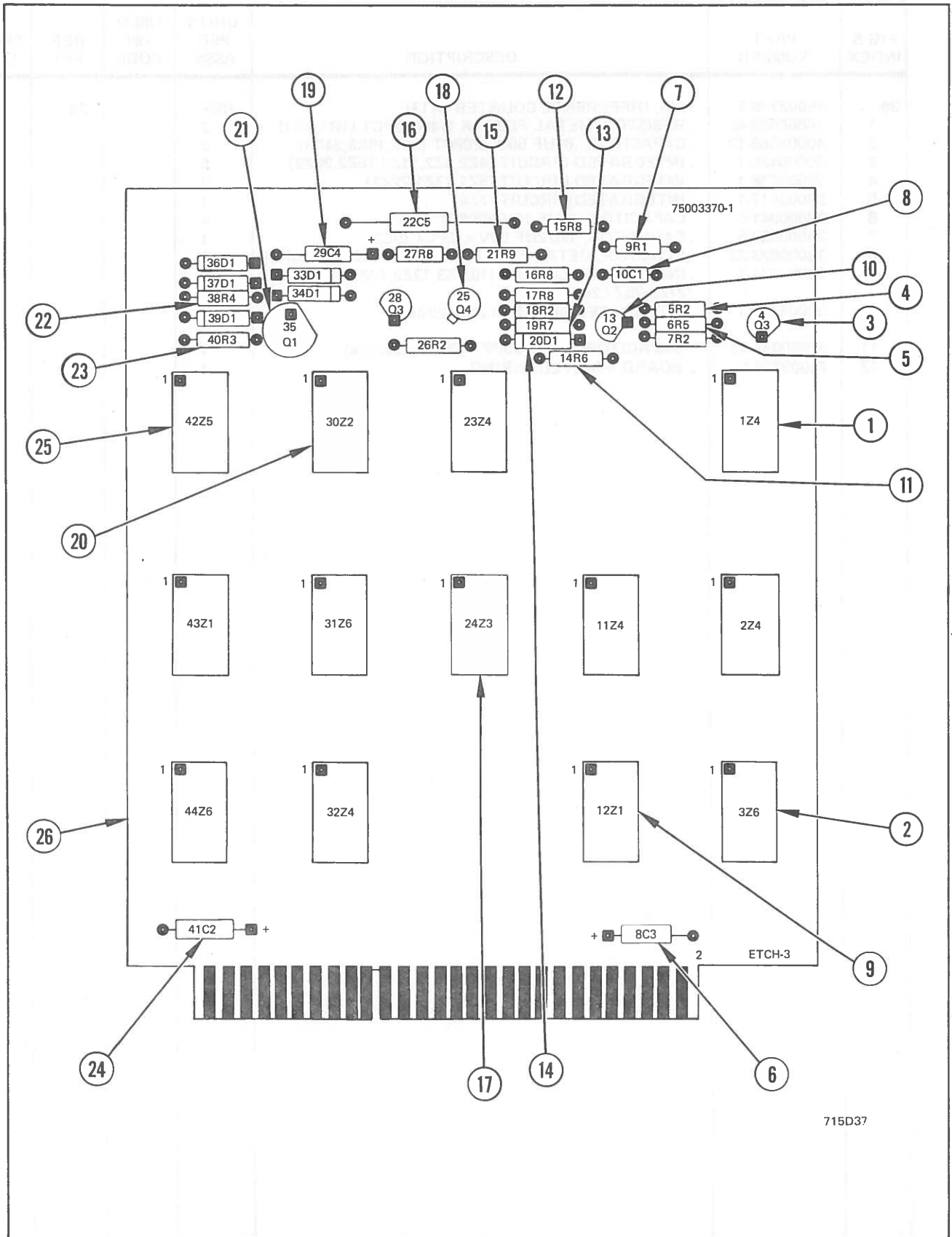


Figure 2-37. Access Control PWA

FIG & INDEX	PART NUMBER	DESCRIPTION	UNITS PER ASSY	USED ON CODE	REF. FIG.	SPARE ITEM
37-	75003370-1	PWA, ACCESS CONTROL (A14)	REF		28	X
-1	30000436-1	. INTEGRATED CIRCUIT (1Z4,2Z4,11Z4,23Z4,32Z4)	5			
-2	30000438-1	. INTEGRATED CIRCUIT (3Z6,31Z6,44Z6)	3			
-3	24000457-1	. TRANSISTOR (4Q3,28Q3)	2			
-4	16000023-68	. RESISTOR, METAL FILM 6.2K 1/4W ±2PCT (5R2,7R2, 18R2,26R2)	4			
-5	16000023-63	. RESISTOR, METAL FILM 3.9K 1/4W ±2PCT (6R5)	1			
-6	38000041-5	. CAPACITOR, 10UF 10V ±20PCT (8C3)	1			
-7	16000023-41	. RESISTOR, METAL FILM 470 OHM 1/4W ±2PCT (9R1)	1			
-8	40003365-18	. CAPACITOR, 0.1UF 50V ±20PCT (10C1)	1			
-9	30000431-1	. INTEGRATED CIRCUIT (12Z1,43Z1)	2			
-10	25000462-1	. TRANSISTOR (13Q2)	1			
-11	16000023-44	. RESISTOR, METAL FILM 620 OHM 1/4W ±2PCT (14R6)	1			
-12	16000023-56	. RESISTOR, METAL FILM 2K 1/4W ±2PCT (15R8,16R8, 17R8,27R8)	4			
-13	16000023-58	. RESISTOR, METAL FILM 2.4K 1/4W ±2PCT (19R7)	1			
-14	10000440-1	. DIODE (20D1,33D1,34D1,36D1,37D1,39D1)	6			
-15	16000023-75	. RESISTOR, METAL FILM 12K 1/4W ±2PCT (21R9)	1			
-16	35000034-2	. CAPACITOR, .22UF 50V ±10PCT (22C5)	1			
-17	30000434-1	. INTEGRATED CIRCUIT (24Z3)	1			
-18	24001327-1	. TRANSISTOR (25Q4)	1			
-19	38000038-13	. CAPACITOR, 15UF 25V ±20PCT (29C4)	1			
-20	30001249-1	. INTEGRATED CIRCUIT (30Z2)	1			
-21	24000451-1	. TRANSISTOR (35Q1)	1			
-22	16000023-82	. RESISTOR, METAL FILM 24K 1/4W ±2PCT (38R4)	1			
-23	16000023-104	. RESISTOR, METAL FILM 200K 1/4W ±2PCT (40R3)	1			
-24	38000040-11	. CAPACITOR, .68UF 75V ±20PCT (41C2)	1			
-25	30000437-1	. INTEGRATED CIRCUIT (42Z5)	1			
-26	74003370-3	. BOARD, PRINTED WIRING	1			

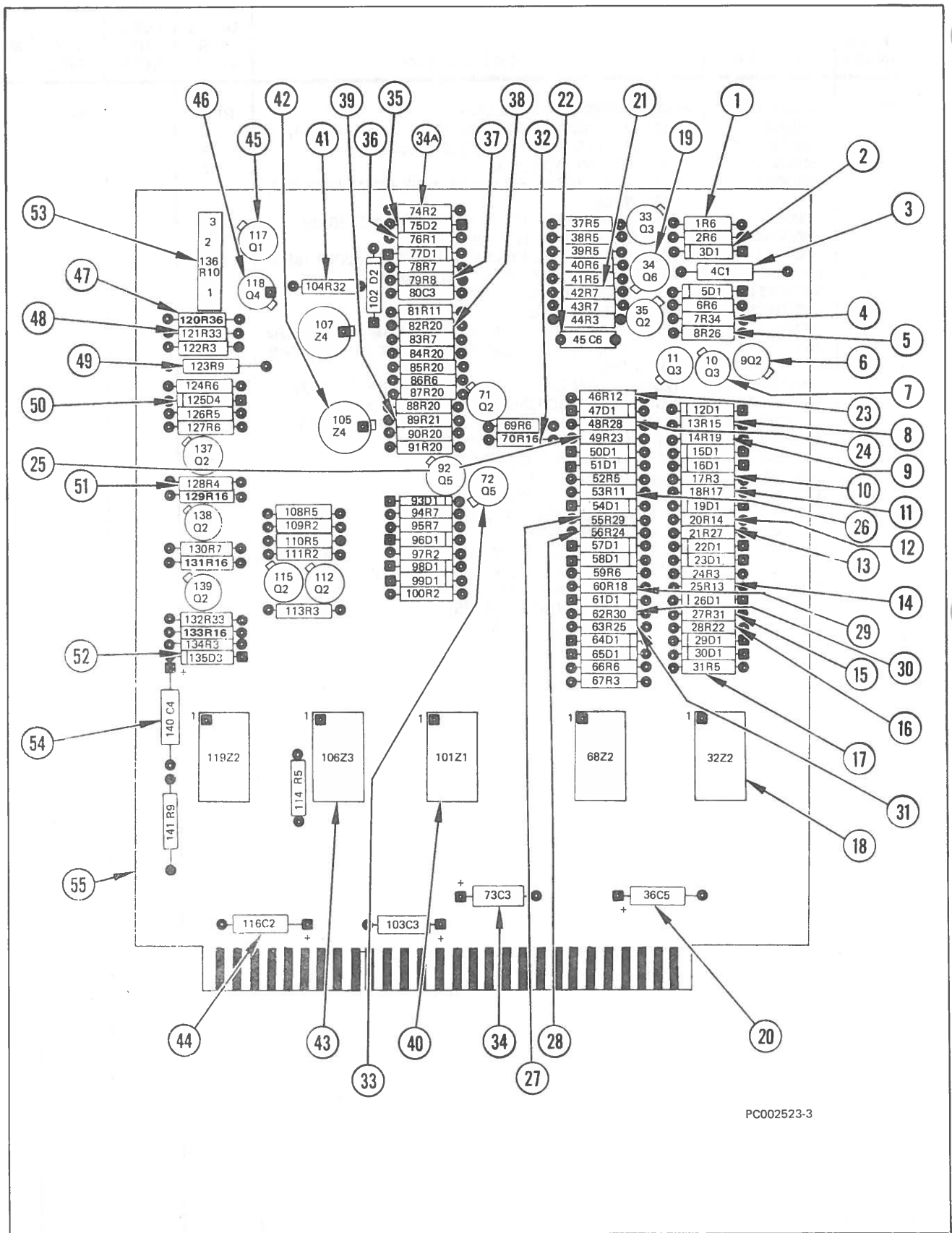


Figure 2-38. Curve Generator PWA

FIG & INDEX	PART NUMBER	DESCRIPTION	UNITS PER ASSY	USED ON CODE	REF. FIG.	SPARE ITEM
38-	75002523-3	PWA, CURVE GENERATOR (A15)	REF		28	X
-1	16000023-64	. RESISTOR, METAL FILM 4.3K 1/4W ±2PCT (1R6,2R6, 6R6,40R6,59R6,66R6,69R6,86R6,124R6,127R6)	10			
-2	10000440-1	. DIODE (3D1,5D1,12D1,15D1,16D1,19D1,22D1,23D1, 26D1,29D1,30D1,47D1,50D1,51D1,54D1,57D1,58D1, 61D1,64D1,65D1,77D1,93D1,96D1,98D1,99D1)	25			
-3	35000470-13	. CAPACITOR, .01UF 100V ±5PCT (4C1)	1			
-4	16000023-55	. RESISTOR, METAL FILM 1.8K 1/4W ±2PCT (7R34)	1			
-5	16000023-95	. RESISTOR, METAL FILM 82K 1/4W ±2PCT (8R26)	1			
-6	25000455-1	. TRANSISTOR (9Q2,35Q2,71Q2,112Q2,115Q2,137Q2, 138Q2,139Q2)	8			
-7	24000457-1	. TRANSISTOR (10Q3,11Q3,33Q3)	3			
-8	18003661-493	. RESISTOR, METAL FILM 9.31K 1/8W ±1/2PCT (13R15)	1			
-9	18003661-551	. RESISTOR, METAL FILM 18.7K 1/8W ±1/2PCT (14R19)	1			
-10	16000023-49	. RESISTOR, METAL FILM 1K 1/4W ±2PCT (17R3, 24R3,44R3,67R3,113R3,122R3,134R3)	7			
-11	18003661-518	. RESISTOR, METAL FILM 12.6K 1/4W ±1/2PCT (18R17)	1			
-12	18000027-873	. RESISTOR, METAL FILM 887K 1/4W ±1/2PCT (20R14)	1			
-13	18003661-609	. RESISTOR, METAL FILM 37.4K 1/8W ±1/2PCT (21R27)	1			
-14	18003661-487	. RESISTOR, METAL FILM 8.66K 1/8W ±1/2PCT (25R13)	1			
-15	18003661-735	. RESISTOR, METAL FILM 169K 1/8W ±1/2PCT (27R31)	1			
-16	18003661-667	. RESISTOR, METAL FILM 75K 1/8W ±1/2PCT (28R22)	1			
-17	16000023-56	. RESISTOR, METAL FILM 2K 1/4W ±2PCT (31R5, 37R5,38R5,39R5,41R5,52R5,108R5,110R5,114R5, 126R5)	10			
-18	30000436-1	. INTEGRATED CIRCUIT (32Z2,68Z2,119Z2)	3			
-19	25000462-1	. TRANSISTOR (34Q6)	1			
-20	38000041-5	. CAPACITOR, 10UF 10V ±20PCT(36C5)	1			
-21	16000023-73	. RESISTOR, METAL FILM 10K 1/4W ±2PCT (42R7, 43R7,78R7,83R7,94R7,95R7,130R7)	7			
-22	37000037-37	. CAPACITOR, 200PF 500V ±10PCT (45C6)	1			
-23	18003661-485	. RESISTOR, METAL FILM 8.45K 1/8W ±1/2PCT (46R12)	1			
-24	18003661-671	. RESISTOR, METAL FILM 78.7K 1/8W ±1/2PCT (48R28)	1			
-25	18003661-725	. RESISTOR, METAL FILM 150K 1/8W ±1/2PCT (49R23)	1			
-26	18003661-475	. RESISTOR, METAL FILM 7.5K 1/8W ±2PCT (53R11, 81R11)	2			
-27	18003661-623	. RESISTOR, METAL FILM 44.2K 1/8W ±1/2PCT (55R29)	1			
-28	18003661-783	. RESISTOR, METAL FILM 301K 1/8W ±1/2PCT (56R24)	1			
-29	18003661-537	. RESISTOR, METAL FILM 15.8K 1/8W ±1/2PCT (60R18)	1			
-30	18003661-647	. RESISTOR, METAL FILM 59K 1/8W ±1/2PCT (62R30)	1			
-31	19000029-8	. RESISTOR, METAL FILM 620K 1/4W ±5PCT (63R25)	1			
-32	16000023-47	. RESISTOR, METAL FILM 820 OHM 1/4W ±2PCT (70R16, 129R16, 131R16, 133R16)	4			
-33	26003709-1	. TRANSISTOR (72Q5,92Q5)	2			
-34	38000038-1	. CAPACITOR, 1.5UF 25V ±20PCT (73C3,80C3,103C3)	3			
-34A	16000023-44	. RESISTOR, METAL FILM 620 OHM 1/4W ±2PCT (74R2, 92R2, 100R2, 109R2, 111R2)	5			
-35	11000444-2	. DIODE (75D2,102D2)	2			
-36	16000023-27	. RESISTOR, METAL FILM 120 OHM 1/4W ±2PCT (76R1)	1			
-37	18003661-554	. RESISTOR, METAL FILM 19.3K 1/8W ±1/2PCT (79R8)	1			
-38	18003661-557	. RESISTOR, METAL FILM 20K 1/8W ±1/2PCT (82R20, 84R20,85R20,87R20,88R20,90R20,91R20)	7			
-39	18003661-615	. RESISTOR, METAL FILM 40.2 K 1/8W ±1/2PCT (89R21)	1			
-40	30000434-1	. INTEGRATED CIRCUIT (101Z1)	1			
-41	19000029-9	. RESISTOR, METAL FILM 680K 1/4W ±5PCT (104R32)	1			
-42	29003743-1	. INTEGRATED CIRCUIT (105Z4, 107Z4)	2			
-43	30000438-1	. INTEGRATED CIRCUIT (106Z3)	1			
-44	38000040-11	. CAPACITOR, .68UF 75V ±20PCT (116C2)	1			
-45	25000453-1	. TRANSISTOR (117Q1)	1			

Item	Description	Quantity	Unit Price	Total Price
1
2
3
4
5
6
7
8
9
10
11
12
13
14
15
16
17
18
19
20
21
22
23
24
25
26
27
28
29
30
31
32
33
34
35
36
37
38
39
40
41
42
43
44
45
46
47
48
49
50
51
52
53
54
55
56
57
58
59
60
61
62
63
64
65
66
67
68
69
70
71
72
73
74
75
76
77
78
79
80
81
82
83
84
85
86
87
88
89
90
91
92
93
94
95
96
97
98
99
100

FIG & INDEX	PART NUMBER	DESCRIPTION	UNITS PER ASSY	USED ON CODE	REF. FIG.	SPARE ITEM
38-46	24000459-1	. TRANSISTOR (118Q4)	1			
-47	16000023-8	. RESISTOR, METAL FILM 20 OHM 1/4W \pm 2PCT (120R36)	1			
-48	16000023-66	. RESISTOR, METAL FILM 5.1K 1/4W \pm 2PCT (121R33, 132R33)	2			
-49	16000024-61	. RESISTOR, METAL FILM 3.3K 1/2W \pm 2PCT (123R9, 141R9)	2			
-50	11000444-38	. DIODE (125D4)	1			
-51	16000023-53	. RESISTOR, METAL FILM 1.5K 1/4W \pm 2PCT (128R4)	1			
-52	11000444-28	. DIODE (135D3)	1			
-53	21000485-10	. RESISTOR, VARIABLE 10K 1W \pm 10PCT (136R10)	1			
-54	38000038-11	. CAPACITOR, 10UF 25V \pm 20PCT (140C4)	1			
-55	74002523-2	. BOARD, PRINTED WIRING	1			

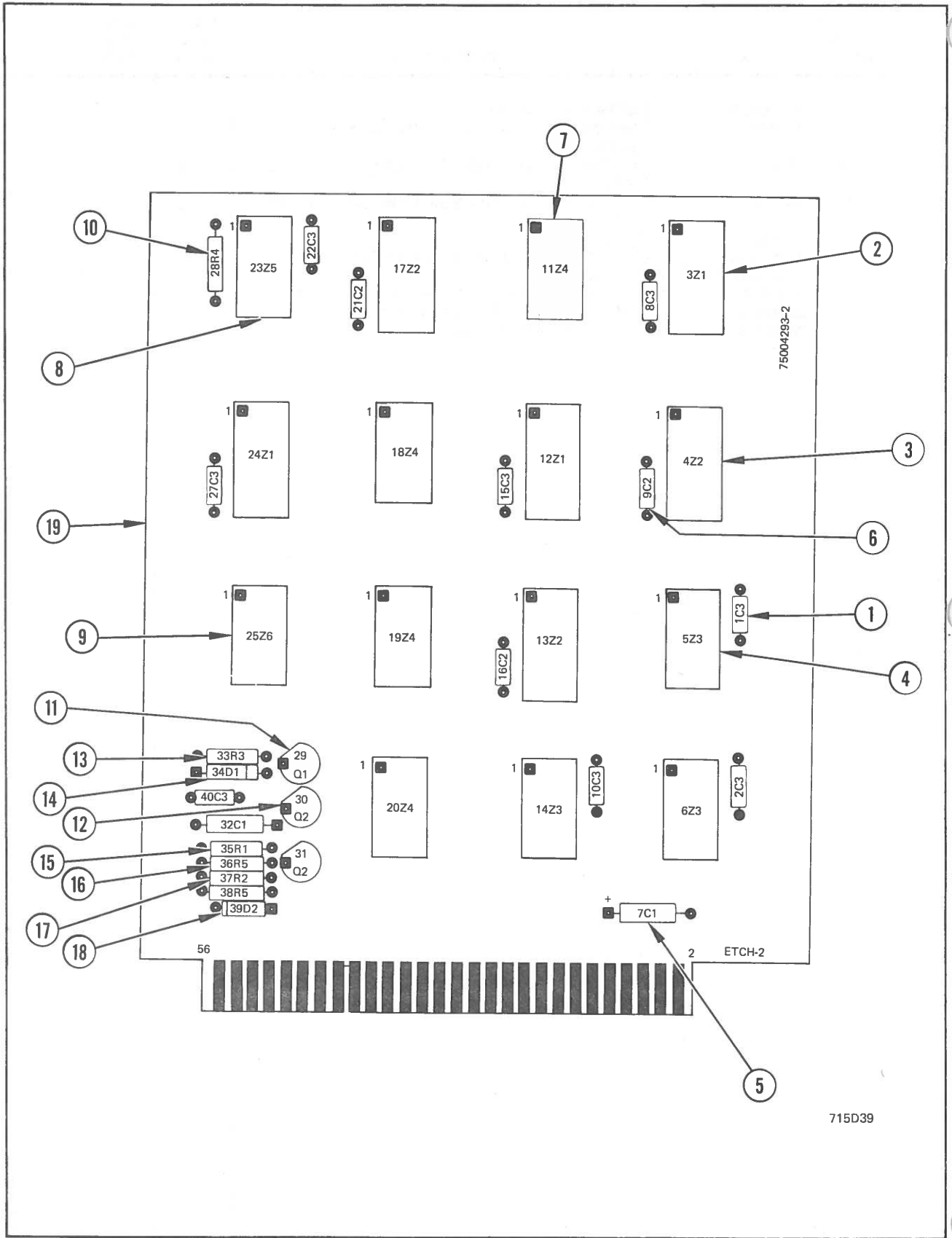
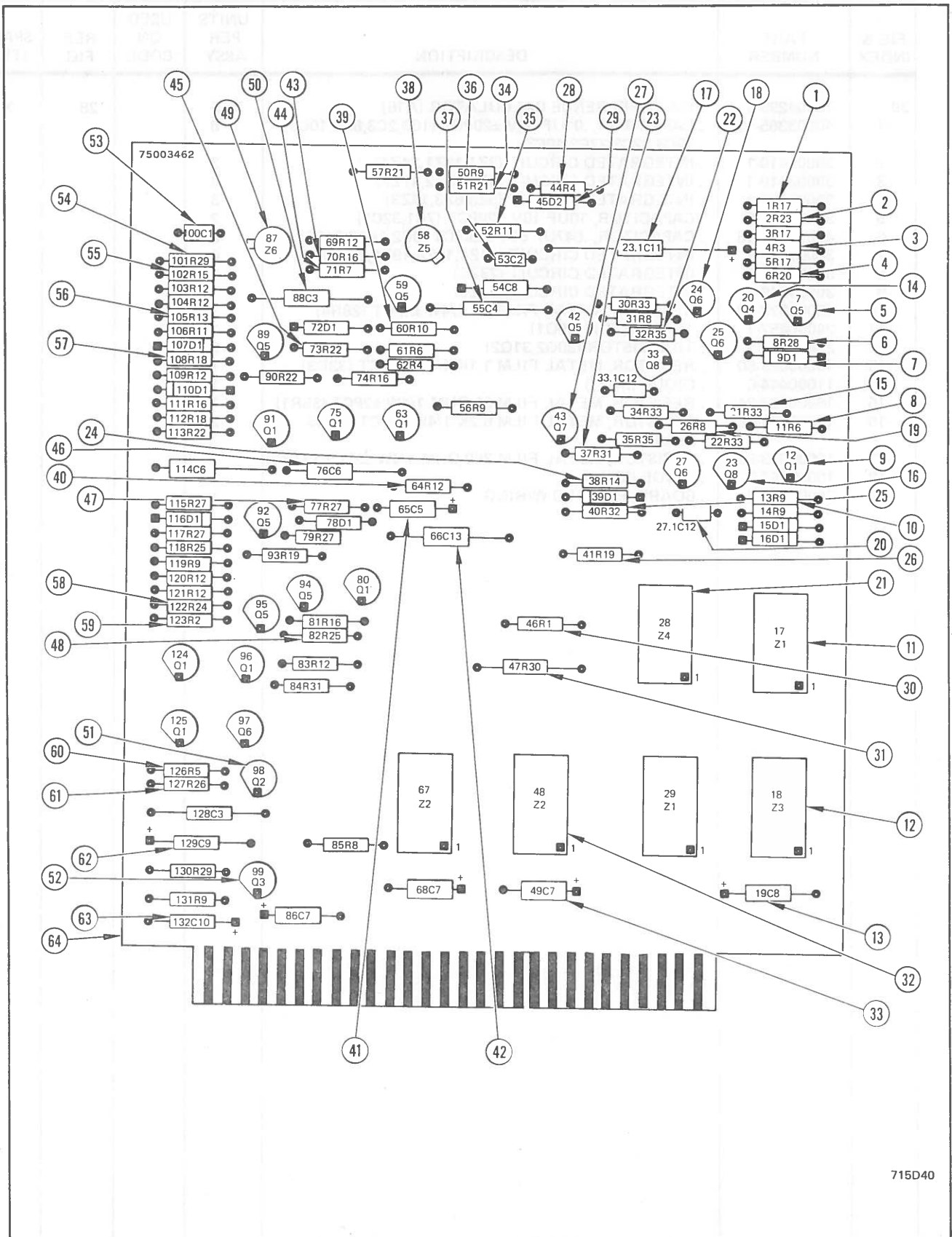


Figure 2-39. Difference Calculator PWA

FIG & INDEX	PART NUMBER	DESCRIPTION	UNITS PER ASSY	USED ON CODE	REF. FIG.	SPARE ITEM
39-	75004293-2	PWA, DIFFERENCE CALCULATOR (A16)	REF		28	X
-1	40003365-12	. CAPACITOR, .01UF 50V ±20PCT (1C3,2C3,8C3,10C3,15C3,22C3,27C3,40C3)	8			
-2	30001410-1	. INTEGRATED CIRCUIT (3Z1,12Z1,24Z1)	3			
-3	30003419-1	. INTEGRATED CIRCUIT (4Z2,13Z2,17Z2)	3			
-4	30001397-1	. INTEGRATED CIRCUIT (5Z3,6Z3,14Z3)	3			
-5	38000041-5	. CAPACITOR, 10UF 10V ±20PCT (7C1,32C1)	2			
-6	40003365-16	. CAPACITOR, .047UF 50V ±20PCT (9C2,16C2,21C2)	3			
-7	30001387-1	. INTEGRATED CIRCUIT (11Z4,18Z4,19Z4,20Z4)	4			
-8	30001417-1	. INTEGRATED CIRCUIT (23Z5)	1			
-9	30001249-1	. INTEGRATED CIRCUIT (25Z6)	1			
-10	16000023-56	. RESISTOR, METAL FILM 2K 1/4W ±2PCT (28R4)	1			
-11	24000457-1	. TRANSISTOR (29Q1)	1			
-12	25000462-1	. TRANSISTOR (30Q2,31Q2)	2			
-13	16000023-50	. RESISTOR, METAL FILM 1.1K 1/4W ±2PCT (33R3)	1			
-14	11000444-6	. DIODE (34D1)	1			
-15	16000023-24	. RESISTOR, METAL FILM 91 OHM 1/4W ±2PCT (35R1)	1			
-16	16000023-68	. RESISTOR, METAL FILM 6.2K 1/4W ±2PCT (36R5,38R5)	2			
-17	16000023-38	. RESISTOR, METAL FILM 360 OHM 1/4W ±2PCT (37R2)	1			
-18	10000567-1	. DIODE (39D2)	1			
-19	74004293-2	. BOARD, PRINTED WIRING	1			



715D40

Figure 2-40. Index Transducer PWA

FIG & INDEX	PART NUMBER	DESCRIPTION	UNITS PER ASSY	USED ON CODE	REF. FIG.	SPARE ITEM
40-	75003462-8	PWA, INDEX TRANSDUCER (A17)	REF		28	X
-1	16000023-66	. RESISTOR, METAL FILM 5.1K 1/4W ±2PCT (1R17, 3R17,5R17)	3			
-2	16000023-80	. RESISTOR, METAL FILM 20K 1/4W ±2PCT (2R23)	1			
-3	16000023-97	. RESISTOR, METAL FILM 100K 1/4W ±2PCT (4R3)	1			
-4	16000023-70	. RESISTOR, METAL FILM 7.5K 1/4W ±2PCT (6R20)	1			
-5	24000457-1	. TRANSISTOR, (7Q5,42Q5,59Q5,89Q5,92Q5,94Q5,95Q5)	7			
-6	16000023-103	. RESISTOR, METAL FILM 180K 1/4W ±2PCT (8R28)	1			
-7	10000440-1	. DIODE, (9D1,15D1,16D1,39D1,72D1,78D1,107D1, 110D1,116D1)	9			
-8	16000023-42	. RESISTOR, METAL FILM 510 OHM 1/4W ±2PCT (11R6, 61R6)	2			
-9	24000451-1	. TRANSISTOR, (12Q1,63Q1,75Q1,80Q1,91Q1,96Q1, 124Q1,125Q1)	8			
-10	16000023-49	. RESISTOR, METAL FILM 1K 1/4W ±2PCT (13R9, 14R9,50R9,56R9,119R9,131R9)	6			
-11	30000434-1	. INTEGRATED CIRCUIT, (17Z1,29Z1)	2			
-12	30000437-1	. INTEGRATED CIRCUIT (18Z3)	1			
-13	38000041-5	. CAPACITOR, 10UF 10V ±20PCT (19C8,54C8)	2			
-14	24001354-1	. TRANSISTOR, (20Q4)	1			
-15	16000023-33	. RESISTOR, METAL FILM 220 OHM 1/4W ±2PCT (21R33,22R33,30R33,34R33)	4			
-16	24003467-1	. TRANSISTOR, (23Q8,33Q8)	2			
-17	38003351-1	. CAPACITOR, 150UF 30V ±10PCT (23.1C11)	1			
-18	25000462-1	. TRANSISTOR, (24Q6,25Q6,27Q6,97Q6)	4			
-19	16000023-44	. RESISTOR, METAL FILM 620 OHM 1/4W ±2PCT (26R8, 31R8,85R8)	3			
-20	37000037-30	. CAPACITOR, 100PF 500V ±10PCT (27.1C12,33.1C12)				
-21	30000438-1	. INTEGRATED CIRCUIT, (28Z4)				
-22	16000023-28	. RESISTOR, METAL FILM 130 OHM 1/4W ±2PCT (32R35,35R35)	2			
-23	16000023-58	. RESISTOR, METAL FILM 2.4K 1/4W ±2PCT (37R31, 84R31)	2			
-24	16000023-61	. RESISTOR, METAL FILM 3.3K 1/4W ±2PCT (38R14)	1			
-25	16000023-63	. RESISTOR, METAL FILM 3.9K 1/4W ±2PCT (40R32)	1			
-26	16000023-69	. RESISTOR, METAL FILM 6.8K 1/4W ±2PCT (41R19, 93R19)	2			
-27	24003714-1	. TRANSISTOR, (43Q7)	1			
-28	16000023-35	. RESISTOR, METAL FILM 270 OHM 1/4W ±2PCT (44R4, 62R4)	2			
-29	11000444-13	. DIODE, (45D2)	1			
-30	16000023-55	. RESISTOR, METAL FILM 1.8K 1/4W ±2PCT (46R1)	1			
-31	16000024-18	. RESISTOR, METAL FILM 51 OHM 1/2W ±2PCT (47R30)	1			
-32	30000436-1	. INTEGRATED CIRCUIT (48Z2,67Z2)	2			
-33	38000038-1	. CAPACITOR, 1.5UF 25V ±20PCT (49C7,68C7,86C7)	3			
-34	16000023-72	. RESISTOR, METAL FILM 9.1K 1/4W ±2PCT (51R21, 57R21)	2			
-35	16000023-53	. RESISTOR, METAL FILM 1.5K 1/4W ±2PCT (52R11, 106R11)	2			
-36	37000037-49	. CAPACITOR, 510PF 500V ±10PCT (53C2)	1			
-37	35000031-5	. CAPACITOR, .0022 100V ±10PCT (55C4)	1			
-38	29000428-1	. INTEGRATED CIRCUIT, (58Z5)	1			
-39	16000023-50	. RESISTOR, METAL FILM 1.1K 1/4W ±2PCT (60R10)	1			
-40	16000023-56	. RESISTOR, METAL FILM 2K 1/4W ±2PCT (64R12, 69R12,83R12,103R12,104R12,109R12,120R12,121R12)	8			
-41	36000036-25	. CAPACITOR, .068UF 50V ±10PCT (65C5)	1			
-42	35000031-1	. CAPACITOR, .001UF 100V ±10PCT (66C13)	1			
-43	16000023-65	. RESISTOR, METAL FILM 4.7K 1/4W ±2PCT (70R16, 74R16,81R16,111R16)	4			

LINE	QTY	UNIT	DESCRIPTION	PRICE	TOTAL
1	1	EA	RESISTOR METAL FILM 1K 5% 1/4W	0.05	0.05
2	1	EA	RESISTOR METAL FILM 10K 5% 1/4W	0.05	0.05
3	1	EA	RESISTOR METAL FILM 100K 5% 1/4W	0.05	0.05
4	1	EA	RESISTOR METAL FILM 1K 1% 1/4W	0.05	0.05
5	1	EA	RESISTOR METAL FILM 10K 1% 1/4W	0.05	0.05
6	1	EA	RESISTOR METAL FILM 100K 1% 1/4W	0.05	0.05
7	1	EA	RESISTOR METAL FILM 1K 5% 1/8W	0.03	0.03
8	1	EA	RESISTOR METAL FILM 10K 5% 1/8W	0.03	0.03
9	1	EA	RESISTOR METAL FILM 100K 5% 1/8W	0.03	0.03
10	1	EA	RESISTOR METAL FILM 1K 1% 1/8W	0.03	0.03
11	1	EA	RESISTOR METAL FILM 10K 1% 1/8W	0.03	0.03
12	1	EA	RESISTOR METAL FILM 100K 1% 1/8W	0.03	0.03
13	1	EA	RESISTOR METAL FILM 1K 5% 1/16W	0.02	0.02
14	1	EA	RESISTOR METAL FILM 10K 5% 1/16W	0.02	0.02
15	1	EA	RESISTOR METAL FILM 100K 5% 1/16W	0.02	0.02
16	1	EA	RESISTOR METAL FILM 1K 1% 1/16W	0.02	0.02
17	1	EA	RESISTOR METAL FILM 10K 1% 1/16W	0.02	0.02
18	1	EA	RESISTOR METAL FILM 100K 1% 1/16W	0.02	0.02
19	1	EA	RESISTOR METAL FILM 1K 5% 1/20W	0.01	0.01
20	1	EA	RESISTOR METAL FILM 10K 5% 1/20W	0.01	0.01
21	1	EA	RESISTOR METAL FILM 100K 5% 1/20W	0.01	0.01
22	1	EA	RESISTOR METAL FILM 1K 1% 1/20W	0.01	0.01
23	1	EA	RESISTOR METAL FILM 10K 1% 1/20W	0.01	0.01
24	1	EA	RESISTOR METAL FILM 100K 1% 1/20W	0.01	0.01
25	1	EA	RESISTOR METAL FILM 1K 5% 1/30W	0.01	0.01
26	1	EA	RESISTOR METAL FILM 10K 5% 1/30W	0.01	0.01
27	1	EA	RESISTOR METAL FILM 100K 5% 1/30W	0.01	0.01
28	1	EA	RESISTOR METAL FILM 1K 1% 1/30W	0.01	0.01
29	1	EA	RESISTOR METAL FILM 10K 1% 1/30W	0.01	0.01
30	1	EA	RESISTOR METAL FILM 100K 1% 1/30W	0.01	0.01
31	1	EA	RESISTOR METAL FILM 1K 5% 1/40W	0.01	0.01
32	1	EA	RESISTOR METAL FILM 10K 5% 1/40W	0.01	0.01
33	1	EA	RESISTOR METAL FILM 100K 5% 1/40W	0.01	0.01
34	1	EA	RESISTOR METAL FILM 1K 1% 1/40W	0.01	0.01
35	1	EA	RESISTOR METAL FILM 10K 1% 1/40W	0.01	0.01
36	1	EA	RESISTOR METAL FILM 100K 1% 1/40W	0.01	0.01
37	1	EA	RESISTOR METAL FILM 1K 5% 1/50W	0.01	0.01
38	1	EA	RESISTOR METAL FILM 10K 5% 1/50W	0.01	0.01
39	1	EA	RESISTOR METAL FILM 100K 5% 1/50W	0.01	0.01
40	1	EA	RESISTOR METAL FILM 1K 1% 1/50W	0.01	0.01
41	1	EA	RESISTOR METAL FILM 10K 1% 1/50W	0.01	0.01
42	1	EA	RESISTOR METAL FILM 100K 1% 1/50W	0.01	0.01
43	1	EA	RESISTOR METAL FILM 1K 5% 1/60W	0.01	0.01
44	1	EA	RESISTOR METAL FILM 10K 5% 1/60W	0.01	0.01
45	1	EA	RESISTOR METAL FILM 100K 5% 1/60W	0.01	0.01
46	1	EA	RESISTOR METAL FILM 1K 1% 1/60W	0.01	0.01
47	1	EA	RESISTOR METAL FILM 10K 1% 1/60W	0.01	0.01
48	1	EA	RESISTOR METAL FILM 100K 1% 1/60W	0.01	0.01
49	1	EA	RESISTOR METAL FILM 1K 5% 1/80W	0.01	0.01
50	1	EA	RESISTOR METAL FILM 10K 5% 1/80W	0.01	0.01
51	1	EA	RESISTOR METAL FILM 100K 5% 1/80W	0.01	0.01
52	1	EA	RESISTOR METAL FILM 1K 1% 1/80W	0.01	0.01
53	1	EA	RESISTOR METAL FILM 10K 1% 1/80W	0.01	0.01
54	1	EA	RESISTOR METAL FILM 100K 1% 1/80W	0.01	0.01
55	1	EA	RESISTOR METAL FILM 1K 5% 1/100W	0.01	0.01
56	1	EA	RESISTOR METAL FILM 10K 5% 1/100W	0.01	0.01
57	1	EA	RESISTOR METAL FILM 100K 5% 1/100W	0.01	0.01
58	1	EA	RESISTOR METAL FILM 1K 1% 1/100W	0.01	0.01
59	1	EA	RESISTOR METAL FILM 10K 1% 1/100W	0.01	0.01
60	1	EA	RESISTOR METAL FILM 100K 1% 1/100W	0.01	0.01

FIG & INDEX	PART NUMBER	DESCRIPTION	UNITS PER ASSY	USED ON CODE	REF. FIG.	SPARE ITEM
40-44	16000023-43	. RESISTOR, METAL FILM 560 OHM 1/4W \pm 2PCT (71R7)	1			
-45	16000023-73	. RESISTOR, METAL FILM 10K 1/4W \pm 2PCT (73R22, 90R22, 113R22)	3			
-46	35000491-7	. CAPACITOR, .33UF 50V \pm 5PCT (76C6,114C6)	2			
-47	16000023-93	. RESISTOR, METAL FILM 68K 1/4W \pm 2PCT (77R27, 79R27,115R27,117R27)	4			
-48	16000023-81	. RESISTOR, METAL FILM 22K 1/4W \pm 2PCT (82R25, 118R25)	2			
-49	29000429-1	. INTEGRATED CIRCUIT, (87Z6)	1			
-50	35000031-13	. CAPACITOR, .01UF 100V \pm 10PCT (88C3,128C3)	2			
-51	25000455-1	. TRANSISTOR, (98Q2)	1			
-52	25000456-1	. TRANSISTOR, (99Q3)	1			
-53	37000037-12	. CAPACITOR, 20PF 500V \pm 10PCT (100C1)	1			
-54	16000023-104	. RESISTOR, METAL FILM 200K 1/4W \pm 2PCT (101R29, 130R29)	2			
-55	16000023-64	. RESISTOR, METAL FILM 4.3K 1/4W \pm 2PCT (102R15)	1			
-56	16000023-60	. RESISTOR, METAL FILM 3K 1/4W \pm 2PCT (105R13)	1			
-57	16000023-67	. RESISTOR, METAL FILM 5.6K 1/4W \pm 2PCT (108R18, 112R18)	2			
-58	16000023-79	. RESISTOR, METAL FILM 18K 1/4W \pm 2PCT (122R24)	1			
-59	16000023-18	. RESISTOR, METAL FILM 51 OHM 1/4W \pm 2PCT (123R2)	1			
-60	16000023-37	. RESISTOR, METAL FILM 330 OHM 1/4W \pm 2PCT (126R5)	1			
-61	16000023-90	. RESISTOR, METAL FILM 51K 1/4W \pm 2PCT (127R26)	1			
-62	38000038-13	. CAPACITOR, 15UF 25V \pm 20PCT (129C9)	1			
-63	38000038-7	. CAPACITOR, 4.7UF 25V \pm 20PCT (132C10)	1			
-64	74003462-5	. BOARD, PRINTED WIRING	1			

FIG & INDEX	PART NUMBER	DESCRIPTION	UNITS PER ASSY	USED ON CODE	REF. FIG.	SPARE ITEM
41-	75003720-5	PWA, SUM AMP PULSER (A24)	REF		28	X
-1	24001327-1	. TRANSISTOR (1Q9)	1			
-2	16000024-70	. RESISTOR, METAL FILM 7.5K 1/2W ±2PCT (2R16)	1			
-3	16000024-68	. RESISTOR, METAL FILM 6.2K 1/2W ±2PCT (3R14, 4R14)	2			
-4	16000023-42	. RESISTOR, METAL FILM 510 OHM 1/4W ±2PCT (5R2, 10R2,88R2)	3			
-5	16000023-65	. RESISTOR, METAL FILM 4.7K 1/4W ±2PCT (6R11)	1			
-6	16000023-56	. RESISTOR, METAL FILM 2K 1/4W ±2PCT (7R7,9R7, 12R7,20R7,21R7,37R7,38R7,45R7,48R7,55R7,92R7, 121R7,166R7,167R7)	14			
-7	16000023-70	. RESISTOR, METAL FILM 7.5K 1/4W ±2PCT (8R15, 34R15,65R15,66R15,74R15,76R15,168R15,169R15)	8			
-8	10000440-1	. DIODE (11D1,18D1,19D1,44D1,46D1,47D1,49D1, 67D1,68D1,79D1,89D1,94D1,95D1,118D1,144D1, 163D1,178D1,180D1,190D1)	19			
-9	16000023-66	. RESISTOR, METAL FILM 5.1K 1/4W ±2PCT (13R12)	1			
-10	16000023-49	. RESISTOR, METAL FILM 1K 1/4W ±2PCT (14R5,16R5, 122R5,142R5,188R5,189R5)	6			
-11	40003615-16	. CAPACITOR .022UF 100V ±10PCT (15C6,193C6)	2			
-12	16000023-84	. RESISTOR, METAL FILM 30K 1/4W ±2PCT (17R25)	1			
-13	16000023-72	. RESISTOR, METAL FILM 9.1K 1/4W ±2PCT (22R17, 40R17,41R17,42R17,43R17,81R17,82R17,111R17, 112R17)	9			
-14	30000436-1	. INTEGRATED CIRCUIT (23Z4)	1			
-15	24000457-1	. TRANSISTOR (24Q6,28Q6,51Q6,54Q6,61Q6,62Q6, 152Q6,153Q6)	8			
-16	29003743-1	. INTEGRATED CIRCUIT (25Z2,86Z2,145Z2)	3			
-17	40003365-12	. CAPACITOR, .01UF 50V ±20PCT (26C7)	1			
-18	25000462-1	. TRANSISTOR (27Q8,50Q8,53Q8,70Q8,77Q8,78Q8, 115Q8,128Q8,146Q8,147Q8,155Q8,157Q8,158Q8)	13			
-19	30000438-1	. INTEGRATED CIRCUIT (29Z5)	1			
-20	16000023-68	. RESISTOR, METAL FILM 6.2K 1/4W ±2PCT (30R13, 31R13,35R13,60R13,69R13,119R13,120R13)	7			
-21	16000023-77	. RESISTOR, METAL FILM 15K 1/4W ±2PCT (32R21, 33R21,36R21,107R21,108R21,129R21,130R21,150R21)	8			
-22	38000041-5	. CAPACITOR, 10UF 10V ±20PCT (39C5)	2			
-23	30000434-1	. INTEGRATED CIRCUIT (52Z3)	1			
-23A	37000037-32	. CAPACITOR, 120PF 500V ±10PCT (52.1C1,52.2C1)	2			
-24	16000023-18	. RESISTOR, METAL FILM 51 OHM 1/4W ±2PCT (52.2R41,52.3R41)	2			
-25	16000023-81	. RESISTOR, METAL FILM 22K 1/4W ±2PCT (56R23, 57R23)	2			
-26	16000023-71	. RESISTOR, METAL FILM 8.2K 1/4W ±2PCT (58R35, 59R35)	2			
-27	16000023-75	. RESISTOR, METAL FILM 12K 1/4W ±2PCT (63R19,64R19)	2			
-28	35000031-13	. CAPACITOR, .01UF 100V ±10PCT (71C3,75C3)	2			
-29	25000455-1	. TRANSISTOR (72Q4,80Q4)	2			
-30	38000038-1	. CAPACITOR, 1.5UF 25V ±20PCT (73C11,97C11, 127C11)	3			
-31	16000023-89	. RESISTOR, METAL FILM 47K 1/4W ±2PCT (83R28, 84R28,175R28)	3			
-32	18000027-332	. RESISTOR, METAL FILM 1.5K 1/4W ±1/2PCT (85R6)	1			
-33	16000023-97	. RESISTOR, METAL FILM 100K 1/4W ±2PCT (87R31, 176R31)	2			
-34	37000037-42	. CAPACITOR, 120PF 500V ±10PCT (90.1C14,91.1C14)	2			

INDEX	FIG & INDEX	PART NUMBER	DESCRIPTION	UNITS PER ASSY	USED ON CODE	REF FIG.	SPARE ITEM
41		25003702	1/2" DIA AMP PULSER (ASA)	REF		28	X
1		24001221	TRANSISTOR (100)	2			
2		180002470	RESISTOR, METAL FILM 1/4W 1200 OHMS	1			
3		180002468	RESISTOR, METAL FILM 1/4W 1200 OHMS	2			
4		180002442	RESISTOR, METAL FILM 1/4W 1200 OHMS	2			
5		180002382	RESISTOR, METAL FILM 1/4W 1200 OHMS	1			
6		180002382	RESISTOR, METAL FILM 1/4W 1200 OHMS	14			
7		180002382	RESISTOR, METAL FILM 1/4W 1200 OHMS	8			
8		180002382	RESISTOR, METAL FILM 1/4W 1200 OHMS	10			
9		180002382	RESISTOR, METAL FILM 1/4W 1200 OHMS	1			
10		180002382	RESISTOR, METAL FILM 1/4W 1200 OHMS	2			
11		400002140	CAPACITOR, 0.01UF 50V (100)	1			
12		180002382	RESISTOR, METAL FILM 1/4W 1200 OHMS	1			
13		180002382	RESISTOR, METAL FILM 1/4W 1200 OHMS	2			
14		400002140	CAPACITOR, 0.01UF 50V (100)	1			
15		400002140	CAPACITOR, 0.01UF 50V (100)	1			
16		400002140	CAPACITOR, 0.01UF 50V (100)	1			
17		400002140	CAPACITOR, 0.01UF 50V (100)	1			
18		400002140	CAPACITOR, 0.01UF 50V (100)	1			
19		400002140	CAPACITOR, 0.01UF 50V (100)	1			
20		400002140	CAPACITOR, 0.01UF 50V (100)	1			
21		400002140	CAPACITOR, 0.01UF 50V (100)	1			
22		400002140	CAPACITOR, 0.01UF 50V (100)	1			
23		400002140	CAPACITOR, 0.01UF 50V (100)	1			
24		400002140	CAPACITOR, 0.01UF 50V (100)	1			
25		400002140	CAPACITOR, 0.01UF 50V (100)	1			
26		400002140	CAPACITOR, 0.01UF 50V (100)	1			
27		400002140	CAPACITOR, 0.01UF 50V (100)	1			
28		400002140	CAPACITOR, 0.01UF 50V (100)	1			
29		400002140	CAPACITOR, 0.01UF 50V (100)	1			
30		400002140	CAPACITOR, 0.01UF 50V (100)	1			
31		400002140	CAPACITOR, 0.01UF 50V (100)	1			
32		400002140	CAPACITOR, 0.01UF 50V (100)	1			
33		400002140	CAPACITOR, 0.01UF 50V (100)	1			
34		400002140	CAPACITOR, 0.01UF 50V (100)	1			

FIG & INDEX	PART NUMBER	DESCRIPTION	UNITS PER ASSY	USED ON CODE	REF. FIG.	SPARE ITEM
41-34A	16000023-33	. RESISTOR, METAL FILM 220 OHM 1/4W ±2PCT (91R40,91.2R40)	2			
-35	16000023-44	. RESISTOR, METAL FILM 620 OHM 1/4W ±2PCT (93R4,165R4)	2			
-36	24000459-1	. TRANSISTOR (96Q7,106Q7)	2			
-37	24000451-1	. TRANSISTOR (98Q2,191Q2)	2			
-38	25000453-1	. TRANSISTOR (99Q3,100Q3,117Q3)	3			
-39	16000023-92	. RESISTOR, METAL FILM 62K 1/4W ±2PCT (102R29, 103R29)	2			
-40	11000444-25	. DIODE (109D4,110D4)	2			
-41	16000023-59	. RESISTOR, METAL FILM 2.7K 1/4W ±2PCT (113R8, 134R8)	2			
-42	11000444-24	. DIODE (114D3)	1			
-43	16000023-79	. RESISTOR, METAL FILM 18K 1/4W ±2PCT (123R22)	1			
-44	38000039-7	. CAPACITOR, 0.33UF 35V ±20PCT (124C9)	1			
-45	40003365-18	. CAPACITOR, 0.1UF 50V ±20PCT (125C8)	1			
-46	16000023-86	. RESISTOR, METAL FILM 36K 1/4W ±2PCT (126R26, 148R26)	2			
-47	35000031-10	. CAPACITOR, .0056UF 100V ±10PCT (131C4)	1			
-48	16000023-32	. RESISTOR, METAL FILM 200 OHM 1/4W ±2PCT (132R1,133R1)	2			
-49	37000037-56	. CAPACITOR, 1000PF 100V ±10PCT (135C2)	1			
-50	18003661-691	. RESISTOR, METAL FILM 100K 1/8W ±1/2PCT (136R36,181R36)	2			
-51	16000023-83	. RESISTOR, METAL FILM 27K 1/4W ±2PCT (137R24, 184R24)	2			
-52	18003661-673	. RESISTOR, METAL FILM 80.6K 1/8W ±1/2PCT (138R30,186R30)	2			
-53	16000023-73	. RESISTOR, METAL FILM 10K 1/4W ±2PCT (139R18, 185R18)	2			
-54	19000029-7	. RESISTOR, CARBON COMP 560K 1/4W ±5PCT (140R33,182R33)	2			
-55	19000029-32	. RESISTOR, CARBON COMP 6.8 MEGOHM 1/4W ±5PCT (141R34,183R34)	2			
-56	18003661-449	. RESISTOR, METAL FILM 10K 1/8W ±1/2PCT (143R38, 187R38)	2			
-57	16000023-76	. RESISTOR, METAL FILM 13K 1/4W ±2PCT (149R20)	1			
-58	11000444-13	. DIODE (151D2)	1			
-59	25000456-1	. TRANSISTOR (154Q5)	1			
-60	35000031-5	. CAPACITOR, .0022UF 100V ±10PCT (156C12)	1			
-61	38000040-11	. CAPACITOR, .68UF 75V ±20PCT (159C10)	1			
-62	16000024-59	. RESISTOR, METAL FILM 2.7K 1/2W ±2PCT (160R9, 161R9,162R9)	3			
-63	16000023-107	. RESISTOR, METAL FILM 270K 1/4W ±2PCT (164R32)	1			
-64	16000023-85	. RESISTOR, METAL FILM 33K 1/4W ±2PCT (170R39)	1			
-65	16000023-60	. RESISTOR, METAL FILM 3K 1/4W ±2PCT (171R10, 172R10,173R10,174R10)	4			
-66	18003361-443	. RESISTOR, METAL FILM 5.11K 1/8W ±1/2PCT (177R37,179R37)	2			
-66A	40003615-24	. CAPACITOR, 0.1UF 100V ±10PCT (192C13)	1			
-67	29000430-1	. INTEGRATED CIRCUIT (194Z1)	1			
-68	74003720-3	. BOARD, PRINTED WIRING	1			

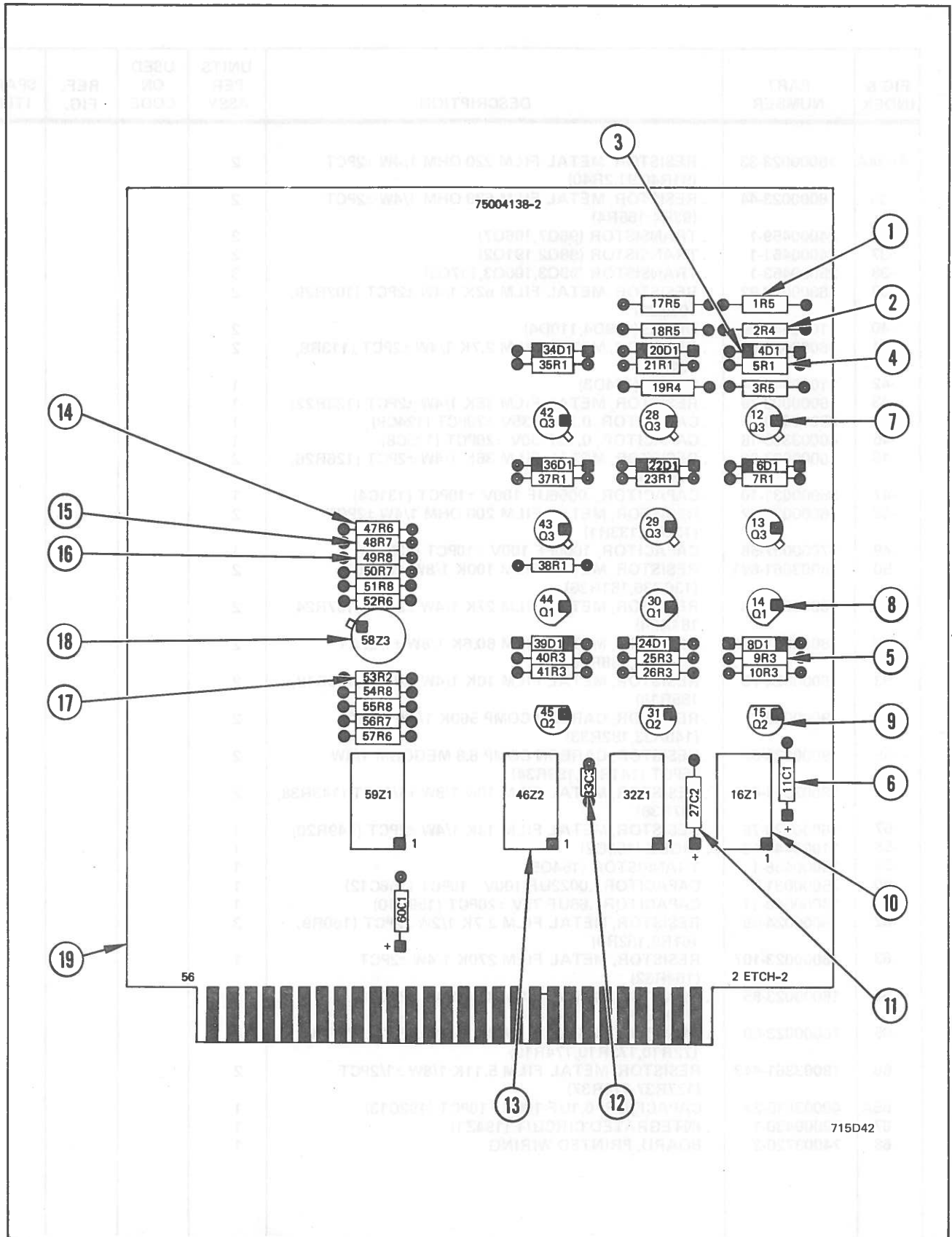
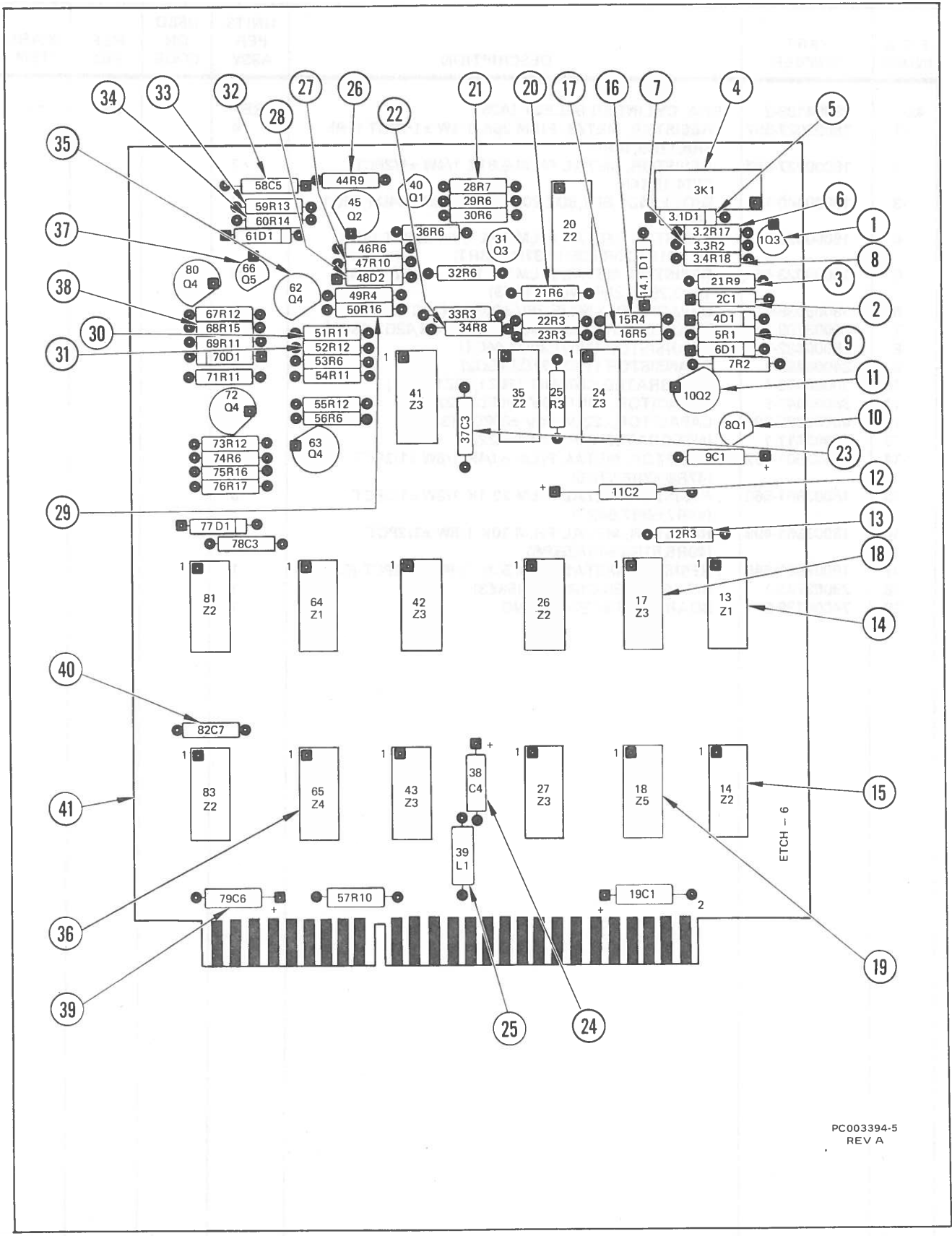


Figure 2-42. Cylinder Select PWA

FIG & INDEX	PART NUMBER	DESCRIPTION	UNITS PER ASSY	USED ON CODE	REF. FIG.	SPARE ITEM
42-	75004138-2	PWA, CYLINDER SELECT (A25)	REF		28	X
-1	18000027-557	. RESISTOR, METAL FILM 20K 1/4W ±1/2PCT (1R5, 3R5, 17R5, 18R5)	4			
-2	18000027-467	. RESISTOR, METAL FILM 6.81K 1/4W ±1/2PCT (2R4, 19R4)	2			
-3	10000440-1	. DIODE (4D1, 6D1, 8D1, 20D1, 22D1, 24D1, 34D1, 36D1, 39D1)	9			
-4	16000023-73	. RESISTOR, METAL FILM 10K 1/4W ±2PCT (5R1, 7R1, 21R1, 23R1, 35R1, 37R1, 38R1)	7			
-5	16000023-56	. RESISTOR, METAL FILM 2K 1/4W ±2PCT (9R3, 10R3, 25R3, 26R3, 40R3, 41R3)	6			
-6	38000038-1	. CAPACITOR, 1.50UF 25V ±20PCT (11C1, 60C1)	2			
-7	26003709-1	. TRANSISTOR (12Q3, 13Q3, 28Q3, 29Q3, 42Q3, 43Q3)	6			
-8	25000462-1	. TRANSISTOR (14Q1, 30Q1, 44Q1)	3			
-9	24000459-1	. TRANSISTOR (15Q2, 31Q2, 45Q2)	3			
-10	30000436-1	. INTEGRATED CIRCUIT (16Z1, 32Z1, 59Z1)	3			
-11	38000041-5	. CAPACITOR, 10UF 10V ±20PCT (27C2)	1			
-12	40003365-20	. CAPACITOR, .22UF 50V ±20PCT (33C3)	1			
-13	30003417-1	. INTEGRATED CIRCUIT (46Z2)	1			
-14	18003661-457	. RESISTOR, METAL FILM 6.04K 1/8W ±1/2PCT (47R6, 52R6, 57R6)	3			
-15	18003661-565	. RESISTOR, METAL FILM 22.1K 1/8W ±1/2PCT (48R7, 50R7, 56R7)	3			
-16	18003661-499	. RESISTOR, METAL FILM 10K 1/8W ±1/2PCT (49R8, 51R8, 54R8, 55R8)	4			
-17	18003661-446	. RESISTOR, METAL FILM 5.3K 1/8W ±1/2PCT (53R2)	1			
-18	29003743-1	. INTEGRATED CIRCUIT (58Z3)	1			
-19	74004138-2	. BOARD, PRINTED WIRING	1			



PC003394-5
REV A

Figure 2-43. Power Control PWA

FIG & INDEX	PART NUMBER	DESCRIPTION	UNITS PER ASSY	USED ON CODE	REF. FIG.	SPARE ITEM
43-	75003394-5	PWA, POWER CONTROL (A27)	REF		28	X
-1	25000455-1	. TRANSISTOR (1Q3,31Q3)	2			
-2	38000041-5	. CAPACITOR, 10UF 10V ±20PCT (2C1,9C1,19C1)	3			
-3	16000023-80	. RESISTOR, METAL FILM 20K 1/4W 2PCT (2.1R9)	1			
-4	64003535-1	. RELAY (3K1)	1			
-5	10000440-1	. DIODE (3.1D1,4D1,6D1,14.1D1,61D1,70D1,77D1)	7			
-6	16000023-68	. RESISTOR, METAL FILM 6.2K 1/4W ±2PCT (3.2R17, 76R17)	2			
-7	16000023-67	. RESISTOR, METAL FILM 5.6K 1/4W ±2PCT (3.3R2, 7R2)	2			
-8	16000023-32	. RESISTOR, METAL FILM 200 OHM 1/4W ±2PCT (3.4 R18)	1			
-9	16000023-64	. RESISTOR, METAL FILM 4.3K 1/4W ±2PCT (5R1)	1			
-10	24000457-1	. TRANSISTOR (8Q1,40Q1)	2			
-11	24000452-1	. TRANSISTOR (10Q2,45Q2)	2			
-12	38000670-1	. CAPACITOR, 180UF 6V ±10PCT (11C2)	1			
-13	16000023-44	. RESISTOR, METAL FILM 620 OHM 1/4W ±2PCT (12R3,22R3,23R3,25R3,33R3)	5			
-14	30000431-1	. INTEGRATED CIRCUIT (13Z1,64Z1)	2			
-15	30000434-1	. INTEGRATED CIRCUIT (14Z2,20Z2,26Z2,35Z2, 81Z2,83Z2)	6			
-16	16000023-46	. RESISTOR, METAL FILM 750 OHM 1/4W ±2PCT (15R4,49R4)	2			
-17	16000023-48	. RESISTOR, METAL FILM 910 OHM 1/4W ±2PCT (16R5)	1			
-18	30000436-1	. INTEGRATED CIRCUIT (17Z3,24Z3,27Z3,41Z3, 42Z3,43Z3)	6			
-19	30000438-1	. INTEGRATED CIRCUIT (18Z5)	1			
-20	16000023-49	. RESISTOR, METAL FILM 1K 1/4W ±2PCT (21R6, 29R6,30R6,32R6,36R6,46R6,53R6,56R6,74R6)	9			
-21	16000023-77	. RESISTOR, METAL FILM 15K 1/4W ±2PCT (28R7)	1			
-22	16000023-40	. RESISTOR, METAL FILM 430 OHM 1/4W ±2PCT (34R8)	1			
-23	35000032-13	. CAPACITOR, .01UF 50V ±10PCT (37C3,78C3)	2			
-24	38000038-1	. CAPACITOR, 1.5UF 25V ±20PCT (38C4)	1			
-25	32000474-32	. INDUCTOR, 91UH .25W ±5PCT (39L1)	1			
-26	16000023-65	. RESISTOR, METAL FILM 4.7K 1/4W ±2PCT (44R9)	1			
-27	16000023-39	. RESISTOR, METAL FILM 390 OHM 1/4W ±2PCT (47R10,57R10)	2			
-28	11000444-25	. DIODE (48D2)	1			
-29	16000023-43	. RESISTOR, METAL FILM 560 OHM 1/4W ±2PCT (50R16,75R16)	2			
-30	16000023-25	. RESISTOR, METAL FILM 100 OHM 1/4W ±2PCT (51R11,54R11,69R11,71R11)	4			
-31	16000023-42	. RESISTOR, METAL FILM 510 OHM 1/4W ±2PCT (52R12,55R12,67R12,73R12)	4			
-32	38000039-21	. CAPACITOR, 4.7UF 35V ±20PCT (58C5)	1			
-33	16000023-73	. RESISTOR, METAL FILM 10K 1/4W ±2PCT (59R13)	1			
-34	16000023-83	. RESISTOR, METAL FILM 27K 1/4W ±2PCT (60R14)	1			
-35	25000453-1	. TRANSISTOR (62Q4,63Q4,72Q4,80Q4)	4			
-36	30000437-1	. INTEGRATED CIRCUIT (65Z4)	1			
-37	24001354-1	. TRANSISTOR (66Q5)	1			
-38	16000023-47	. RESISTOR, METAL FILM 820 OHM 1/4W ±2PCT (68R15)	1			
-39	38000040-11	. CAPACITOR, .68UF 60V ±20PCT (79C6)	1			
-40	35000032-1	. CAPACITOR, .001UF 50V ±10PCT (82C7)	1			
-41	74003394-6	. BOARD, PRINTED WIRING	1			

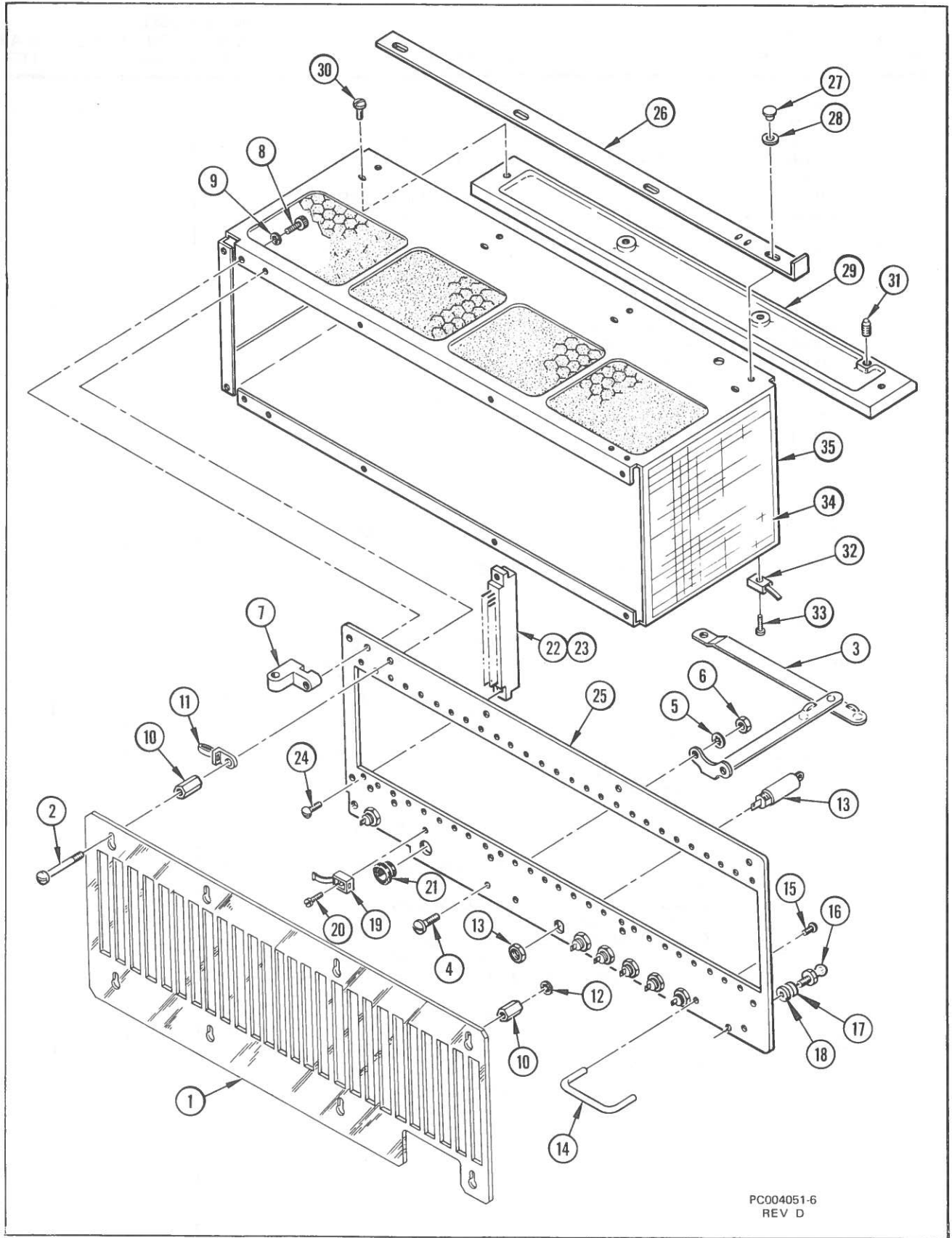


Figure 2-44. Electronic Gate Assembly

FIG & INDEX	PART NUMBER	DESCRIPTION	UNITS PER ASSY	USED ON CODE	REF. FIG.	SPARE ITEM
44-	76004051-6	GATE ASSY, ELECTRONIC	REF		28	
-1	87003457-1	. COVER, CONNECTOR	1			X
-2	50000754-6	. SCREW, BIND. HD 6-32 X .375 (AP)	8			X
-3	45000815-2	. HINGE ASSY, GATE SUPPORT	1			
-4	50000755-5	. SCREW, BIND. HD 8-32 X .312 (AP)	2			X
-5	51000788-3	. WASHER, LOCK (AP)	2			X
-6	52000783-8	. NUT, HEXAGON (AP)	2			X
-7	87003448-1	. HINGE, GATE	2			
-8	50000773-7	. SCREW, SOC HD 8-32 X .438 (AP)	4			X
-9	51000789-8	. WASHER, LOCK (AP)	4			X
-10	87001026-15	. STANDOFF	8			
-11	57001265-1	. CLAMP, CABLE	1			
-12	51000788-3	. WASHER, LOCK	7			X
	76004052-6	. PANEL ASSY, CONNECTOR	1			
-13	40000566-5	. . CAPACITOR, FEED THRU	7			X
-14	45000811-1	. . HANDLE, ROUND	1			
-15	50000753-4	. . SCREW, BIND. HD 4-40 X .250 (AP)	2			X
-16	87001281-1	. . STOP, LATCH	1			
-17	51000787-4	. . WASHER, LOCK (AP)	1			X
-18	51000786-6	. . WASHER, PLAIN	1			X
-19	57000997-1	. . MOUNT, CABLE TIE	1			
-20	50000753-3	. . SCREW, BIND. HD 4-40 X .188	1			X
-21	45003349-4	. . BUSHING, SNAP-IN	1			X
-22	57000959-1	. . KEY, POLARIZING	27			X
-23	58000099-1	. . CONNECTOR	27			X
-24	50000753-5	. . SCREW, BIND. HD 4-40 X .312 (AP)	54			X
-25	87003511-1	. . PANEL, CONNECTOR	1			
-26	87000810-1	. RETAINER, CARD	1			
-27	45000814-1	. RIVET, SNAPSLIDE FASTENER (AP)	4			
-28	45000813-1	. WASHER, SNAPSLIDE FASTENER (AP)	4			
-29	87000809-1	. GUIDE, CARD	2			
-30	50000755-6	. SCREW, BIND. HD 8-32 X .375 (AP)	8			X
-31	45000812-1	. BALL, PLUNGER	1			X
-32	57000997-4	. MOUNT, CABLE TIE	13			
-33	50000754-3	. SCREW, BIND. HD 6-32 X .188 (AP)	13			X
-34	71004334-1	. LABEL, GATE CONFIGURATION LABEL	1			
	45015495-1	. MOUNT, CABLE TIE	1			
-35	87003345-1	. CHASSIS, GATE	1			

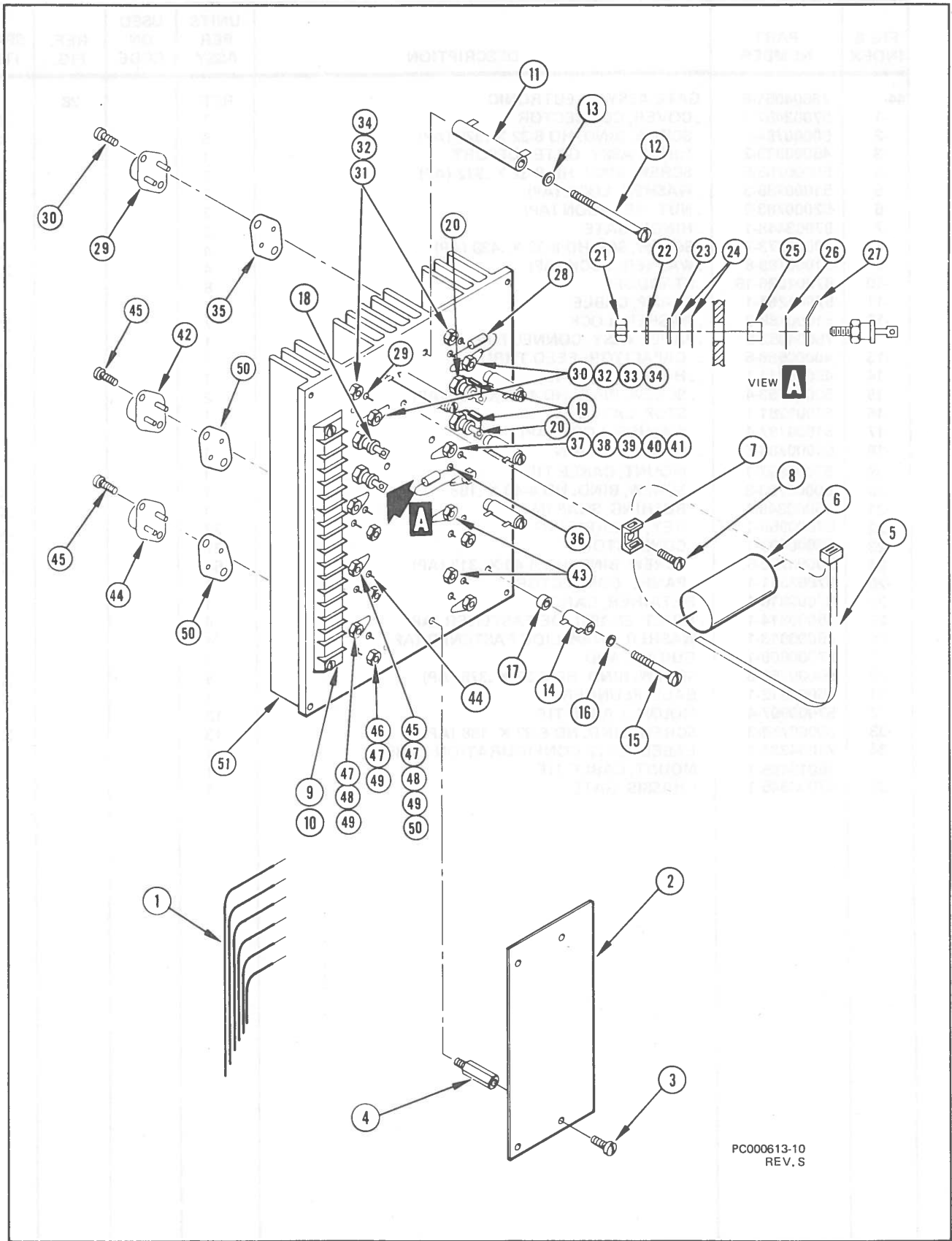


Figure 2-45. Power Driver Assembly

FIG. & INDEX	PART NUMBER	DESCRIPTION	UNITS PER ASSY	USED ON CODE	REF. FIG.	SPARE ITEM
45-	76000613-10	POWER DRIVER ASSY	REF		20	X
-1	83001063-2	. HARNESS ASSY, POWER DRIVER	1			
-2	75000020-8*	. PWA, POWER DRIVER	1		46	X
-3	50000754-4	. SCREW, BIND. HD 6-32 X .250 (AP)	4			X
-4	87001026-13	. STANDOFF	4			
-5	57000952-3	. TIE, CABLE	1			
-6	35000471-19	. CAPACITOR, MYLAR 100VDC ±20PCT (C1)	1			
-7	57000997-4	. CLAMP, CABLE	1			
-8	50000755-4	. SCREW, BIND. HD 8-32 X .250 (AP)	1			X
-9	73000568-15	. TERMINAL BOARD (PD1)	1			X
-10	50000754-8	. SCREW, BIND. HD 6-32 X .500 (AP)	2			X
-11	20000479-33	. RESISTOR, 250 OHM 5-1/4 W ±5PCT (R32,R33)	2			
-12	50000754-32	. SCREW, BIND. HD 6-32 X 2.000 (AP)	2			X
-13	51000787-3	. WASHER, LOCK (AP)	2			X
-14	20000478-73	. RESISTOR, 1000 OHM, 5-1/4W ±5PCT (R11,R12, R30,R31)	4			
-15	50000753-20	. SCREW, BIND. HD 4-40 X 1.250 (AP)	4			X
-16	51000787-2	. WASHER, LOCK (AP)	4			X
-17	45001037-1	. SPACER, ROUND	4			
-18	12000442-1	. DIODE, POWER 12A (D1,D2)	2			
-19	35000031-13	. CAPACITOR 0.01UF 100V ±10% (C12,C13)	2			
-20	12001133-1	. DIODE, POWER 12A (D3,D4)	2			
-21	52000783-10	. NUT, HEXAGON (AP)	4			X
-22	51000788-4	. WASHER, LOCK (AP)	4			X
-23	51000786-8	. WASHER, PLAIN (AP)	4			X
-24	51003399-1	. WASHER, MICA (AP)	8			X
-25	51001046-2	. WASHER, TEFLON (AP)	4			X
-26	51003399-2	. WASHER, MICA (AP)	4			X
-27	57003593-1	. TERMINAL, SOLDER	1			X
-28	35000031-1	. CAPACITOR, MYLAR .001 UF 100 V ±10PCT (C10,C11)	2			
-29	24000464-1	. TRANSISTOR, NPN (T2,T6)	2			
-30	50000754-10	. SCREW, BIND. HD 6-32 X .625 (AP)	4			X
-31	51000787-3	. WASHER, LOCK (AP)	2			X
-32	51001045-2	. WASHER, SHOULDER (AP)	4			X
-33	57000953-1	. TERMINAL (AP)	4			X
-34	52000783-6	. NUT, HEXAGON (AP)	4			X
-35	51003435-1	. INSULATOR	2			X
-36	24000464-1	. TRANSISTOR, NPN (T7)	1			X
-37	50000754-10	. SCREW, BIND. HD 6-32 X .625 (AP)	2			X
-38	51001045-2	. WASHER, SHOULDER (AP)	2			X
-39	57000953-1	. TERMINAL (AP)	2			X
-40	52000783-6	. NUT, HEXAGON (AP)	2			X
-41	51003435-1	. INSULATOR	1			X
-42	24000464-1	. TRANSISTOR, NPN 30A (T3)	1			
-43	24000461-1	. TRANSISTOR, NPN 5A (T5,T8)	2			
-44	25000460-1	. TRANSISTOR, PNP 5A (T1,T4)	2			
-45	50000754-10	. SCREW, BIND. HD 6-32 X .625 (AP)	10			X
-46	51000787-3	. WASHER, LOCK (AP)	5			X
-47	51001045-2	. WASHER, SHOULDER (AP)	10			X
-48	57000953-1	. TERMINAL (AP)	5			X
-49	52000783-6	. NUT, HEXAGON (AP)	10			X
-50	51003435-1	. INSULATOR	5			X
-51	87001028-1	. HEATSINK, POWER DRIVER	1			
		*UNTESTED AS SPARE ITEM				

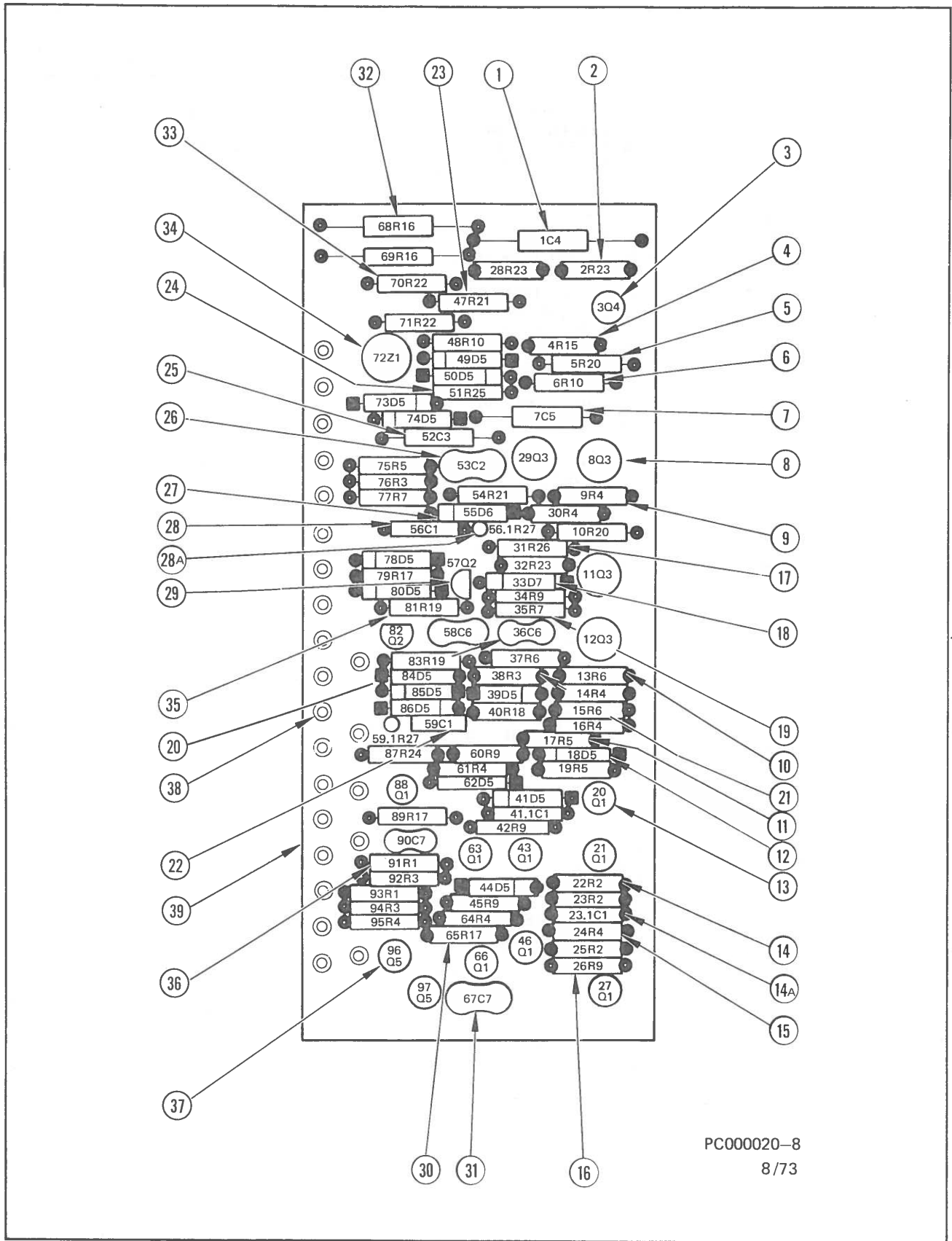


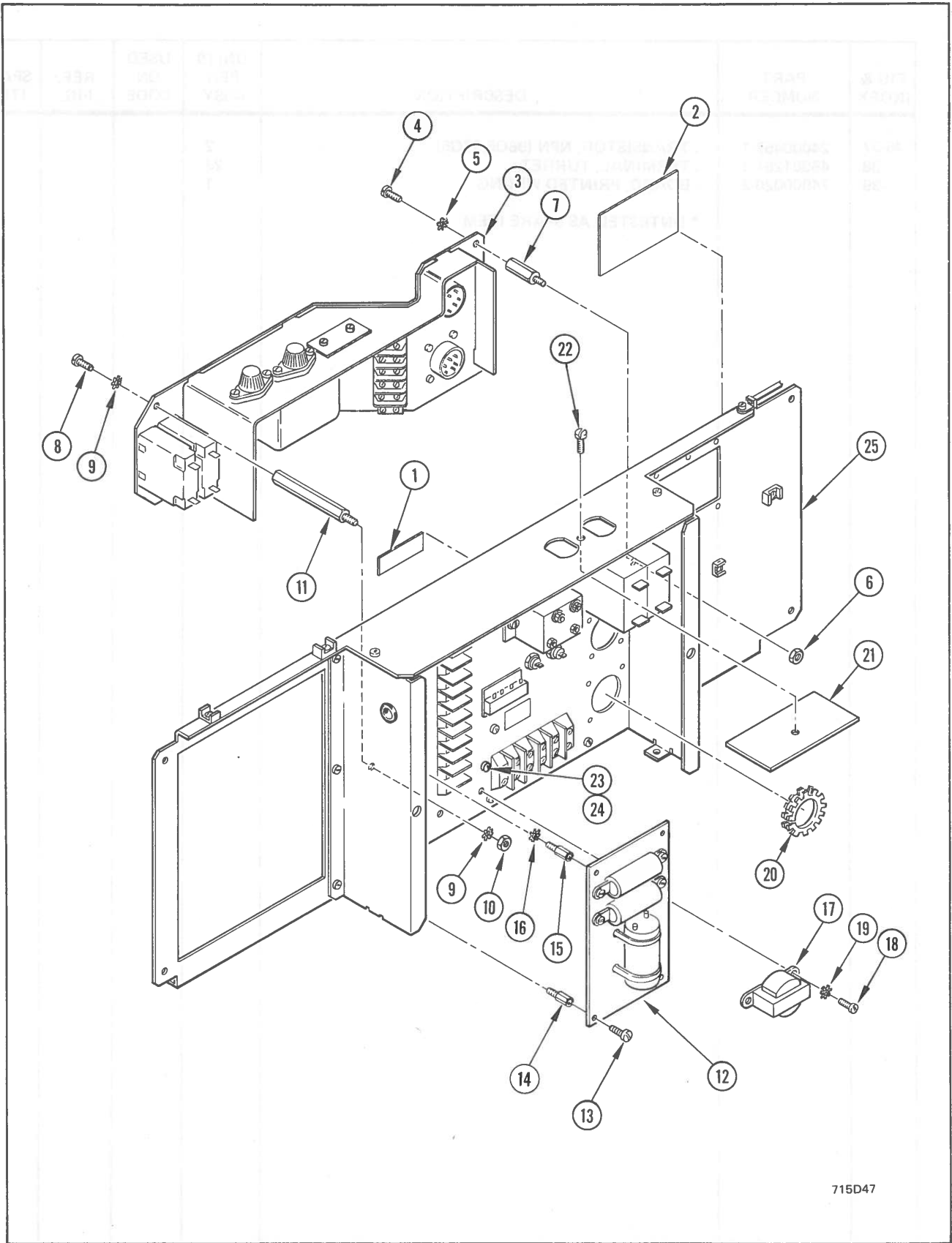
Figure 2-46. Power Driver PWA

FIG & INDEX	PART NUMBER	DESCRIPTION	UNITS PER ASSY	USED ON CODE	REF. FIG.	SPARE ITEM
46-	75000020-8*	PWA, POWER DRIVER	REF		45	X
-1	35000031-25	. CAPACITOR, 10F 100V ±10PCT (1C4)	1			
-2	16000023-72	. RESISTOR, METAL FILM 9.1K 1/4W ±2PCT (2R23, 28R23,32R23)	3			
-3	25000455-1	. TRANSISTOR, PNP (3Q4)	1			
-4	16000023-105	. RESISTOR, METAL FILM 220K 1/4W ±2PCT (4R15)	1			
-5	18000027-405	. RESISTOR, METAL FILM 3.24K 1/4W ±1/2PCT (5R20,10R20)	2			
-6	18000027-491	. RESISTOR, METAL FILM 9.09K 1/4W ±1/2PCT (6R10,48R10)	2			
-7	35000031-22	. CAPACITOR, .056UF 100V ±10PCT (7C5)	1			
-8	24000451-1	. TRANSISTOR, NPN (8Q3,11Q3,12Q3,29Q3)	4			
-9	16000023-49	. RESISTOR, METAL FILM 1K 1/4W ±2PCT (9R4, 14R4,16R4,24R4,30R4,61R4,64R4,95R4)	8			
-10	16000023-60	. RESISTOR, METAL FILM 3K 1/4W ±2PCT (13R6, 15R6,37R6)	3			
-11	16000023-53	. RESISTOR, METAL FILM 1.5K 1/4W ±2PCT (17R5, 19R5,75R5)	3			
-12	10000440-1	. DIODE (18D5,39D5,41D5,44D5,49D5,50D5,62D5, 73D5,74D5,78D5,80D5,84D5,85D5,86D5)	14			
-13	25000453-1	. TRANSISTOR, PNP (20Q1,21Q1,27Q1,43Q1,46Q1, 63Q1,66Q1,88Q1)	8			
-14	16000023-75	. RESISTOR, METAL FILM 12K 1/4W ±2PCT(22R2,23R2)	2			
-14A	35000031-5	. CAP, 0.0022 UF 100V ±10PCT(23.1C1,41.1C1)	2			
-15	16000023-58	. RESISTOR, METAL FILM 2.4K 1/4W ±2PCT (25R24, 87R24)	2			
-16	16000023-42	. RESISTOR, METAL FILM 510 OHM 1/4W ±2PCT (26R9,34R9,42R9,45R9,60R9)	5			
-17	16000023-45	. RESISTOR, METAL FILM 680 OHM 1/4W ±2PCT (31R26)	1			
-18	11000444-13	. DIODE, (33D7)	1			
-19	16000023-83	. RESISTOR, METAL FILM 27K 1/4W ±2PCT (35R7, 77R7)	2			
-20	37000037-52	. CAPACITOR, 680PF ±10PCT (36C6,58C6)	2			
-21	16000023-5	. RESISTOR, METAL FILM 15 OHM 1/4W ±2PCT (38R3,76R3,92R3,94R3)	4			
-22	16000023-70	. RESISTOR, METAL FILM (40R18)	1			
-23	18000027-441	. RESISTOR, METAL FILM 4.99K 1/4W ±1/2PCT (47R21,54R21)	2			
-24	16000023-94	. RESISTOR, METAL FILM 75K 1/4W ±2PCT (51R25)	1			
-25	35000031-9	. CAPACITOR, MYLAR .0047UF 10VDC ±10PCT (52C3)	1			
-26	37000037-37	. CAPACITOR, MICA 200PF ±10PCT (53C2)	1			
-27	11000444-36	. DIODE (55D6)	1			
-28	35000031-5	. CAP, 0.0022UF 100V ±10PCT (56C1,59C1)	2			
-28A	16000023-8	. RES, FILM 20 OHM 1/4W ±2PCT (56.1R27, 59.1R27)	2			
-29	24000459-1	. TRANSISTOR, NPN (57Q2,82Q2)	2			
-30	16000023-71	. RESISTOR, METAL FILM 8.2K 1/4W ±2PCT (65R17, 79R17, 89R17)	3			
-31	37000037-17	. CAPACITOR, MICA 33PF ±10PCT (67C7,90C7)	2			
-32	16000025-44	. RESISTOR, METAL FILM 620 OHM 1W ±2PCT (68R16,69R16)	2			
-33	18000027-307	. RESISTOR, METAL FILM 1K 1/4W ±1/2PCT (70R22, 71R22)	2			
-34	29000428-1	. INTEGRATED CIRCUIT (72Z1)	1			
-35	16000023-93	. RESISTOR, METAL FILM 68K 1/4W ±2PCT (81R19, 83R19)	2			
-36	16000023-34	. RESISTOR, METAL FILM 240 OHM 1/4W ±2PCT (91R1,93R1)	2			

[Faint, illegible text, possibly bleed-through from the reverse side of the page]



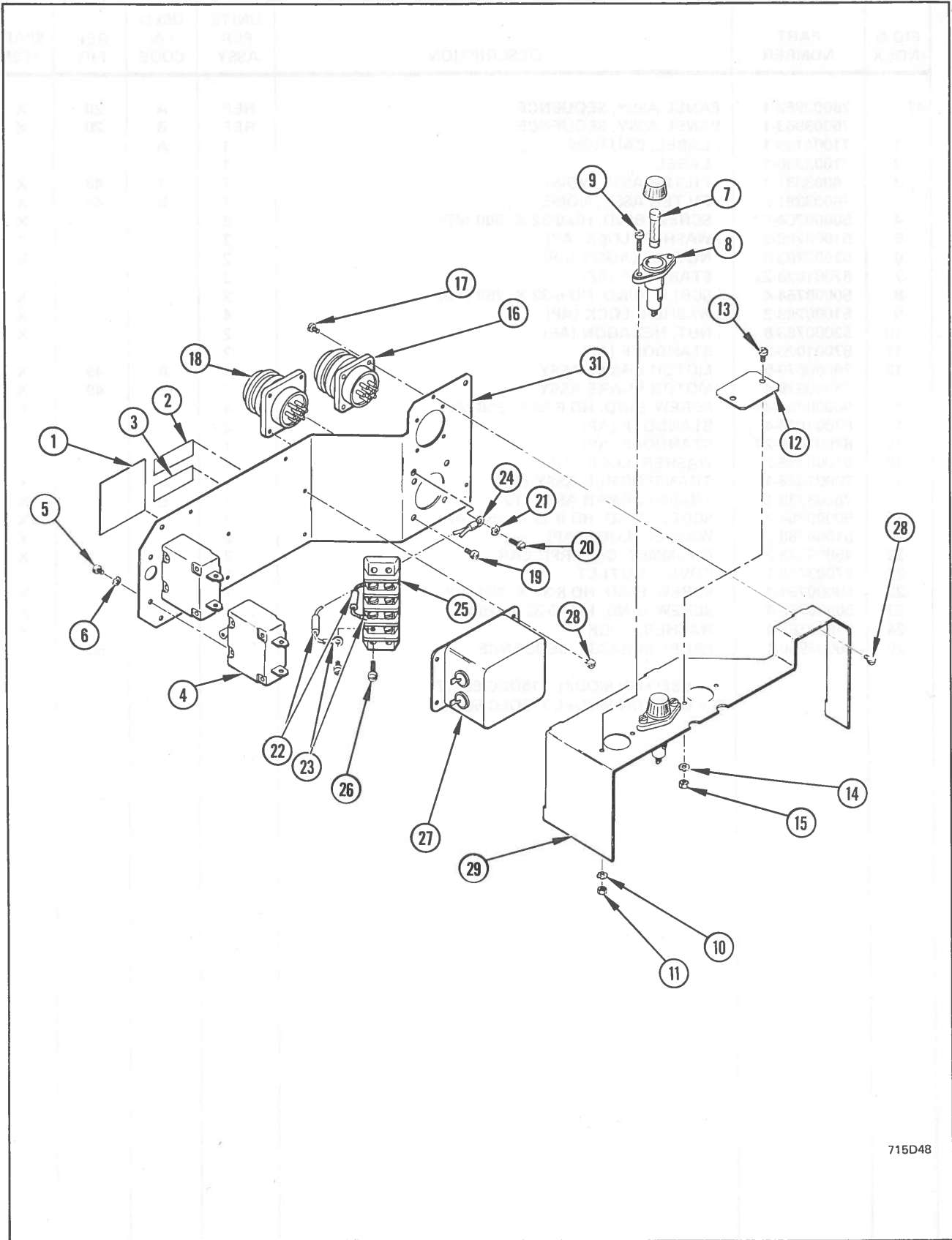
FIG & INDEX	PART NUMBER	DESCRIPTION	UNITS PER ASSY	USED ON CODE	REF. FIG.	SPARE ITEM
46-37 -38 -39	24000457-1 45001261-1 74000020-2	. TRANSISTOR, NPN (96Q5,97Q5) . TERMINAL, TURRET . BOARD, PRINTED WIRING * UNTESTED AS SPARE ITEM	2 23 1			



715D47

Figure 2-47. Sequence Panel Assembly

FIG & INDEX	PART NUMBER	DESCRIPTION	UNITS PER ASSY	USED ON CODE	REF. FIG.	SPARE ITEM
47-	76003962-1	PANEL ASSY, SEQUENCE	REF	A	20	X
	76003963-1	PANEL ASSY, SEQUENCE	REF	B	20	X
-1	71004159-1	. LABEL, CAUTION	1	A		
-2	71003366-1	. LABEL	1			
-3	76003391-1	. FILTER ASSY, NOISE	1	A	48	X
	76003391-2	. FILTER ASSY, NOISE	1	B	48	X
-4	50000754-8	. SCREW, BIND. HD 6-32 X .500 (AP)	2			X
-5	51000788-2	. WASHER, LOCK (AP)	2			X
-6	52000783-6	. NUT, HEXAGON (AP)	2			X
-7	87001026-22	. STANDOFF (AP)	2			
-8	50000754-4	. SCREW, BIND. HD 6-32 X .250 (AP)	2			X
-9	51000788-2	. WASHER, LOCK (AP)	4			X
-10	52000783-6	. NUT, HEXAGON (AP)	2			X
-11	87001026-23	. STANDOFF (AP)	2			
-12	76000679-5	. MOTOR BRAKE ASSY	1	A	49	X
	76000679-4	. MOTOR BRAKE ASSY	1	B	49	X
-13	50000754-4	. SCREW, BIND. HD 6-32 X .250 (AP)	4			X
-14	87001026-4	. STANDOFF (AP)	3			
-15	87001026-27	. STANDOFF (AP)	1			
-16	51000788-2	. WASHER, LOCK (AP)	1			X
-17	76001448-1	. TRANSFORMER ASSY (T2)	1	A		X
	76003735-1	. TRANSFORMER ASSY (T2)	1	B		X
-18	50000754-4	. SCREW, BIND. HD 6-32 X .250 (AP)	2			X
-19	51000788-2	. WASHER, LOCK (AP)	2			X
-20	45003378-2	. GROMMET, CATERPILLAR	2			X
-21	87003498-1	. COVER, OUTLET	1			
-22	50000754-4	. SCREW, BIND, HD 6-32 X .250 (AP)	1			X
-23	50000756-4	. SCREW, BIND. HD 10-32 X .250	1			X
-24	51000788-4	. WASHER, LOCK	1			X
-25	88003960-1	. PANEL SUBASSY, SEQUENCE	1		50	
		A = USED ON MODEL 715DEC 60-HZ B = USED ON MODEL 715DEC 50-HZ				



715D48

Figure 2-48. Noise Filter Assembly

FIG & INDEX	PART NUMBER	DESCRIPTION	UNITS PER ASSY	USED ON CODE	REF. FIG.	SPARE ITEM
48-	76003391-1	FILTER ASSY, NOISE	REF	A	47	X
	76003391-2	FILTER ASSY, NOISE	REF	B	47	X
-1	71003439-1	. LABEL, CAUTION	1			
-2	71003958-1	. LABEL, WIRING	1			
-3	71003937-1	. LABEL, UL	1	A		
	71003853-1	. LABEL, 50-HZ	1	B		
-4	59000565-2	. BREAKER, CIRCUIT (CB2,CB3)	2			X
-5	50000754-4	. SCREW, BIND. HD 6-32 X .250 (AP)	4			X
-6	51000788-2	. WASHER, LOCK (AP)	4			X
-7	59003477-28	. FUSE (F4,F5)	2			X
-8	59003476-1	. FUSEHOLDER	2			X
-9	50000755-8	. SCREW, BIND. HD 8-32 X .500 (AP)	4			X
-10	51000788-3	. WASHER, LOCK (AP)	4			X
-11	52000783-8	. NUT, HEXAGON (AP)	4			X
-12	87003499-1	. COVER, FUSEHOLDER OPENING	1			
-13	50000755-8	. SCREW, BIND. HD 8-32 X .500 (AP)	2			X
-14	51000788-3	. WASHER, LOCK (AP)	2			X
-15	52000783-8	. NUT, HEXAGON (AP)	2			X
-16	84003392-1	. CONNECTOR ASSY, AC OUT	1	A		
	84003813-1	. CONNECTOR ASSY, AC OUT	1	B		
-17	50000753-4	. SCREW, BIND. HD 4-40 X .250 (AP)	4			X
-18	84003393-1	. CONNECTOR ASSY, AC IN	1	A		
	84003812-1	. CONNECTOR ASSY, AC IN	1	B		
-19	50000950-1	. SCREW, BIND. HD 10-24 X .250 (AP)	4			X
-20	50000756-6	. SCREW, BIND. HD 10-32 X .375	1			X
-21	51000788-4	. WASHER, LOCK	1			X
	76003492-1	. RESISTOR ASSY	1			X
-22	19000029-43	.. RESISTOR, CARBON COMP 20M 1/4W ±5PCT	2			
-23	57000293-5	.. TERMINAL	2			
-24	57000293-9	.. TERMINAL	1			
-25	73000523-3	. TERMINAL BOARD (SP4)	1			X
-26	50000755-8	. SCREW, BIND. HD 8-32 X .500 (AP)	2			X
-27	32003561-2	. FILTER, RFI (FL1)	1			X
-28	50000755-3	. SCREW, BIND. HD 8-32 X .188 (AP)	4			X
-29	87003430-1	. GUARD, SIDE	1			
-30	50000753-3	. SCREW, BIND. HD 4-40 X .188 (AP)	5			X
-31	87003431-1	. PLATE, MOUNTING	1			

A = USED ON MODEL 715DEC 60-HZ
B = USED ON MODEL 715DEC 50-HZ

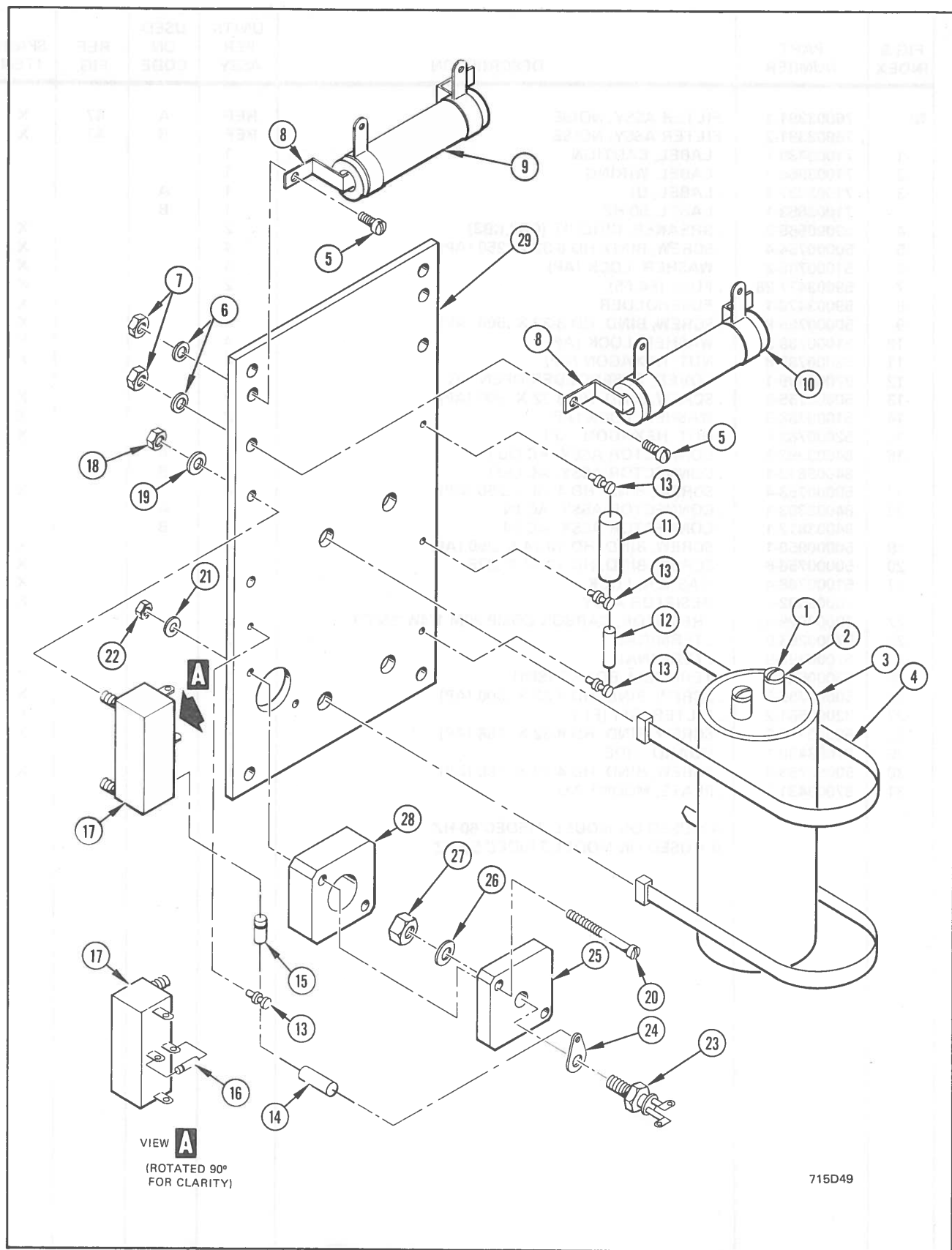
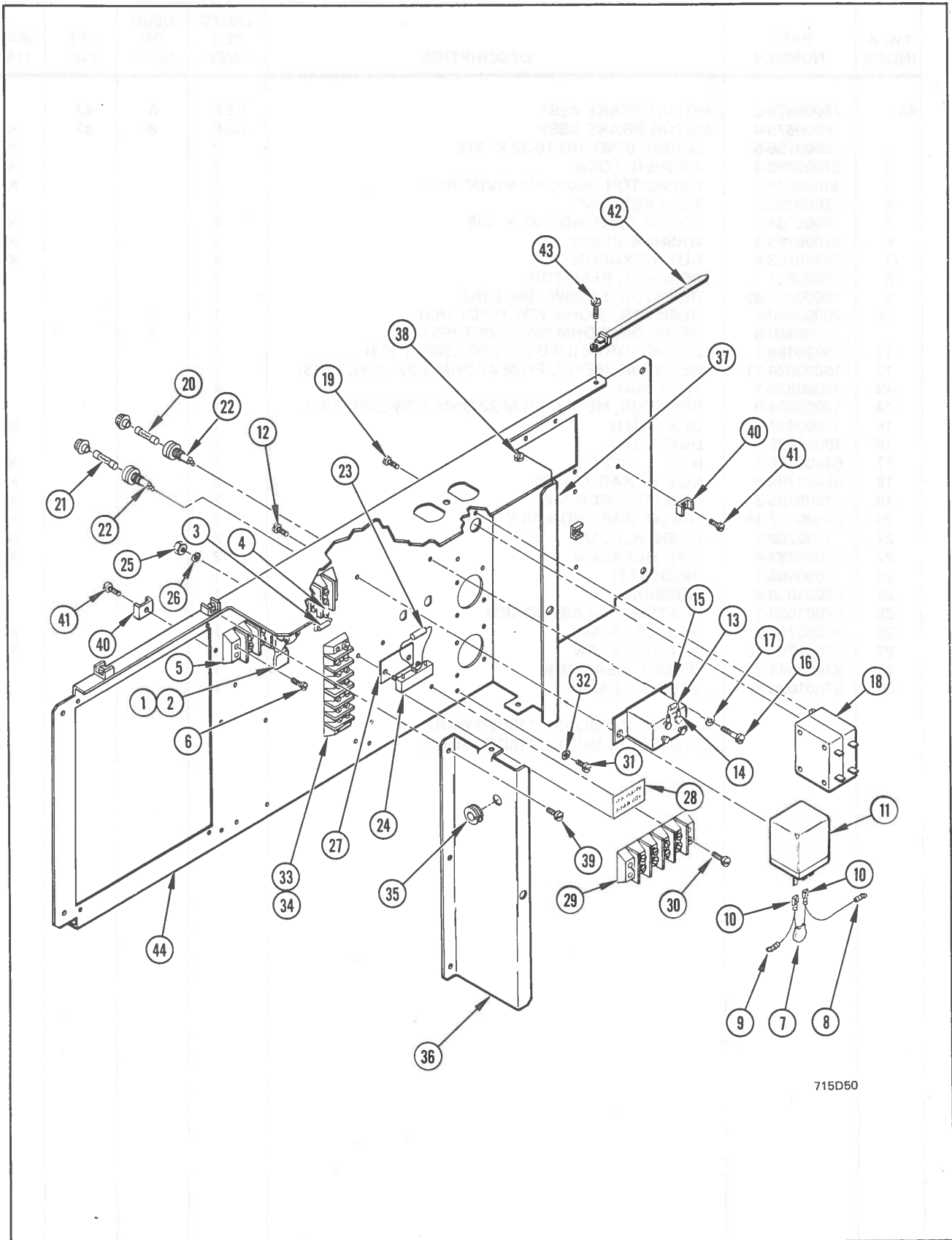


Figure 2-49. Motor Brake Assembly

FIG & INDEX	PART NUMBER	DESCRIPTION	UNITS PER ASSY	USED ON CODE	REF. FIG.	SPARE ITEM
49-	76000679-5	MOTOR BRAKE ASSY	REF	A	47	
	76000679-4	MOTOR BRAKE ASSY	REF	B	47	X
-1	50000756-5	. SCREW, BIND. HD 10-32 X .312	2			X
-2	51000788-4	. WASHER, LOCK	2			X
-3	34000574-1	. CAPACITOR, 4000UFD 40VDC (C1)	1			X
-4	57000952-3	. TIE, CABLE (AP)	2			
-5	50000754-6	. SCREW, BIND. HD 6-32 X .375	4			X
-6	51000786-4	. WASHER, PLAIN	4			X
-7	52000783-6	. NUT, HEXAGON	4			X
-8	45000951-3	. BRACKET, RESISTOR	4			
-9	20000480-49	. RESISTOR, 5K 25W \pm 5PCT (R5)	1			
-10	20000480-2	. RESISTOR, .5 OHM 25W \pm 5PCT (R2)	1	A		
	20000480-8	. RESISTOR, 2 OHM 25W \pm 5PCT (R2)	1	B		
-11	39000488-1	. CAPACITOR, .01UFD 600VDC \pm 20PCT (C2)	1			
-12	16000024-17	. RESISTOR, METAL FILM 47 OHM 1/2W \pm 2PCT (R3)	1			
-13	45000879-1	. TERMINAL	4			
-14	16000024-9	. RESISTOR, METAL FILM 22 OHM 1/2W \pm 2PCT (R1)	1			
-15	10000484-1	. DIODE (D1)	1			X
-16	10003895-1	. DIODE (D2)	1			
-17	64000520-1	. RELAY (REED2)	1			X
-18	52000783-4	. NUT, HEXAGON (AP)	2			X
-19	51000786-2	. WASHER, LOCK (AP)	2			X
-20	50000753-14	. SCREW, BIND. HD 4-40 X .875	2			X
-21	51000789-4	. WASHER, PLAIN	2			X
-22	52000783-4	. NUT, HEXAGON	2			X
-23	13000466-1	. DIODE (Z1)	1			
-24	57001050-4	. TERMINAL	1			
-25	87001029-1	. HEATSINK, GLASS BOARD	1			
-26	51000786-8	. WASHER, PLAIN	1			X
-27	52000783-10	. NUT, HEXAGON	1			X
-28	87003344-1	. SPACER, HEATSINK	1			
-29	87001025-1	. BOARD, GLASS	1			

A = USED ON MODEL 715DEC 60-HZ
B = USED ON MODEL 715DEC 50-HZ



715D50

Figure 2-50. Sequence Panel Subassembly

FIG & INDEX	PART NUMBER	DESCRIPTION	UNITS PER ASSY	USED ON CODE	REF. FIG.	SPARE ITEM
50-	88003960-1	PANEL SUBASSY, SEQUENCE	REF		47	
	76003585-1	. CAPACITOR ASSY	1			
-1	37000037-55	.. CAPACITOR 910PF 100V ±10PCT (C4,C5)	2			
-2	57003359-2	.. TERMINAL	3			
	76003930-1	. DIODE ASSY	1			
-3	10003895-1	.. DIODE (D5)	1			X
-4	57003359-2	.. TERMINAL	2			
-5	73000568-11	. TERMINAL BOARD (SP2)	1			X
-6	50000754-6	. SCREW, BIND. HD 6-32 X .375 (AP)	2			X
	76003773-1	. CAPACITOR ASSY	1			
-7	40003569-10	.. CAPACITOR, 500PF 1000V ±20PCT (C3)	1			X
-8	57000293-6	.. TERMINAL	1			
-9	57000293-4	.. TERMINAL	1			
-10	57000291-2	.. TERMINAL	2			
-11	64000563-1	. RELAY, (RELAY 1)	1			X
-12	50000754-6	. SCREW, BIND. HD 6-32 X .375 (AP)	1			X
-13	10003895-1	. DIODE (D3)	1			X
-14	57001439-2	. TERMINAL	2			
-15	64000562-3	. RELAY, SOLID STATE (SSR)	1			X
-16	50000754-8	. SCREW, BIND. HD 6-32 X .500 (AP)	2			X
-17	51000786-4	. WASHER, PLAIN (AP)	2			X
-18	59000564-1	. BREAKER, CIRCUIT (CB1)	1			X
-19	50000754-4	. SCREW, BIND. HD 6-32 X .250 (AP)	2			X
-20	59000521-5	. FUSE (F1)	1			X
-21	59000521-13	. FUSE (F2)	1			X
-22	59000573-1	. FUSEHOLDER	2			X
-23	10003895-1	. DIODE (D4)	1			X
-24	64000520-1	. RELAY, (REED 3)	1			X
-25	52000783-4	. NUT, HEXAGON (AP)	2			X
-26	51000788-1	. WASHER, LOCK (AP)	2			X
-27	87001962-1	. INSULATOR	1			X
-28	71001275-1	. LABEL, LINE VOLTAGE	1			
-29	73000523-3	. TERMINAL BOARD (SP3)	1			X
-30	50000755-8	. SCREW, BIND. HD 8-32 X .500 (AP)	2			X
-31	50000756-4	. SCREW, BIND. HD 10-32 X .250	3			X
-32	51000788-4	. WASHER, LOCK	3			X
-33	73000568-12	. TERMINAL BOARD (SP1)	1			X
-34	50000754-6	. SCREW, BIND. HD 6-32 X .375 (AP)	2			X
-35	45003361-7	. GROMMET, SPLIT PLASTIC	1			X
-36	87001014-1	. BRACKET, COVER	1			
-37	87001013-1	. BRACKET, COVER	1			
-38	50000753-4	. SCREW, BIND. HD 4-40 X .250 (AP)	2			X
-39	50000754-4	. SCREW, BIND. HD 6-32 X .250 (AP)	6			X
-40	57000997-4	. CLAMP, CABLE	5			
-41	50001266-4	. SCREW, ROUND HD 8-32 X .250 (AP)	5			X
-42	57001265-1	. CLAMP, CABLE	1			
-43	50000755-6	. SCREW, BIND. HD 8-32 X .375 (AP)	1			X
-44	87003717-2	. PANEL, SEQUENCE	1			

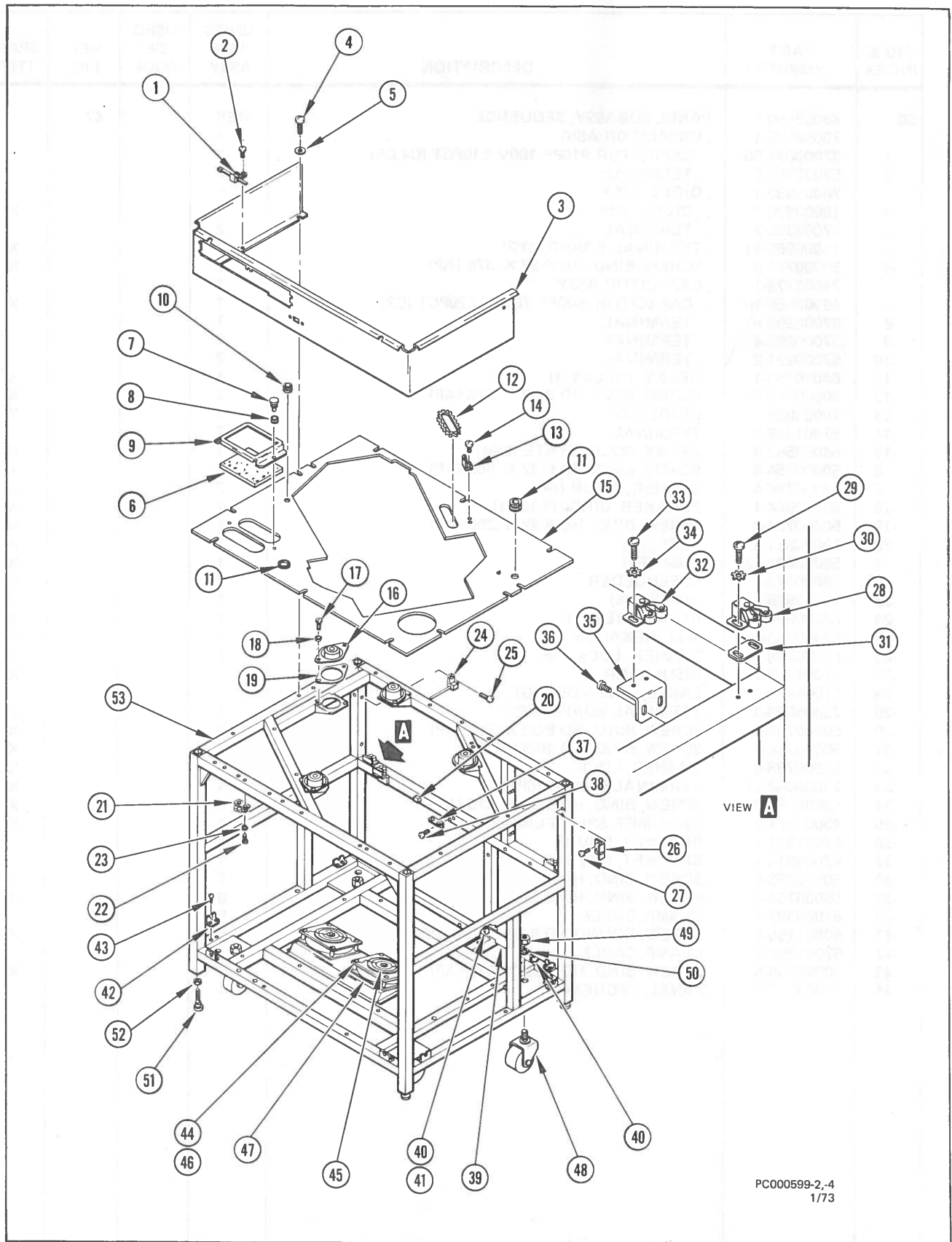
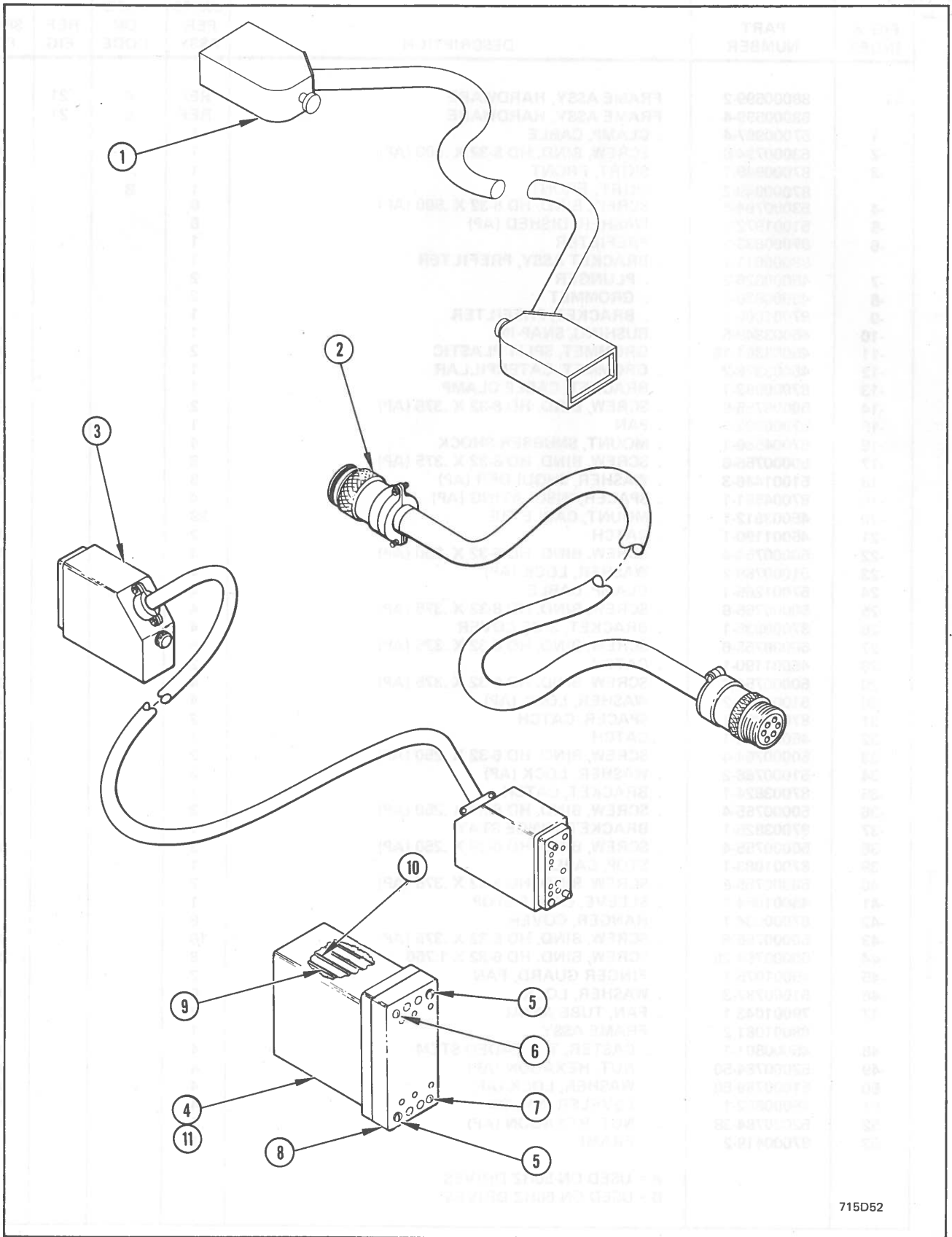


Figure 2-51. Hardware Frame Assembly

FIG. & INDEX	PART NUMBER	DESCRIPTION	UNITS PER ASSY	USED ON CODE	REF. FIG.	SPARE ITEM
51-	88000599-2	FRAME ASSY, HARDWARE	REF	A	21	
	88000599-4	FRAME ASSY, HARDWARE	REF	B	21	
-1	57000997-4	. CLAMP, CABLE	1			
-2	53000794-8	. SCREW, BIND. HD 8-32 X .500 (AP)	1			X
-3	87000949-1	. SKIRT, FRONT	1	A		
	87000949-2	. SKIRT, FRONT	1	B		
-4	53000794-8	. SCREW, BIND. HD 8-32 X .500 (AP)	6			X
-5	51001972-2	. WASHER, DISHED (AP)	6			X
-6	87000833-1	. PREFILTER	1			X
	88000611-1	. BRACKET ASSY, PREFILTER	1			
-7	45000829-2	. . PLUNGER	2			X
-8	45000830-2	. . GROMMET	2			X
-9	87001060-1	. . BRACKET, PREFILTER	1			
-10	45003349-5	. BUSHING, SNAP-IN	1			X
-11	45003361-16	. GROMMET, SPLIT PLASTIC	2			X
-12	45003378-2	. GROMMET, CATERPILLAR	1			X
-13	87000993-1	. BRACKET, CABLE CLAMP	1			
-14	50000755-6	. SCREW, BIND. HD 8-32 X .375 (AP)	2			X
-15	87000992-1	. PAN	1			
-16	87004580-1	. MOUNT, SNUBBER SHOCK	4			
-17	50000755-6	. SCREW, BIND. HD 8-32 X .375 (AP)	8			X
-18	51001446-3	. WASHER, SHOULDER (AP)	8			X
-19	87004581-1	. SPACER, INSULATING (AP)	4			X
-20	45003612-1	. MOUNT, CABLE TIE	29			
-21	45001190-1	. CATCH	2			X
-22	50000754-4	. SCREW, BIND. HD 6-32 X .250 (AP)	4			X
-23	51000788-2	. WASHER, LOCK (AP)	4			X
-24	57001265-1	. CLAMP, CABLE	4			X
-25	50000755-6	. SCREW, BIND. HD 8-32 X .375 (AP)	4			X
-26	87000935-1	. BRACKET, SIDE COVER	4			
-27	50000755-6	. SCREW, BIND. HD 8-32 X .375 (AP)	8			X
-28	45001190-1	. CATCH	2			X
-29	50000754-6	. SCREW, BIND. HD 6-32 X .375 (AP)	4			X
-30	51000788-2	. WASHER, LOCK (AP)	4			X
-31	87003887-1	. SPACER, CATCH	2			
-32	45001190-1	. CATCH	1			X
-33	50000754-4	. SCREW, BIND. HD 6-32 X .250 (AP)	2			X
-34	51000788-2	. WASHER, LOCK (AP)	2			X
-35	87003824-1	. BRACKET, CATCH	1			
-36	50000755-4	. SCREW, BIND. HD 8-32 X .250 (AP)	2			X
-37	87003825-1	. BRACKET, HINGE STAY	1			
-38	50000755-4	. SCREW, BIND. HD 8-32 X .250 (AP)	3			X
-39	87001083-1	. STOP, CABLE	1			
-40	50000755-6	. SCREW, BIND. HD 8-32 X .375 (AP)	2			X
-41	45001084-1	. SLEEVE, CABLE STOP	1			
-42	87000934-1	. HANGER, COVER	8			
-43	50000755-6	. SCREW, BIND. HD 8-32 X .375 (AP)	16			X
-44	50000754-28	. SCREW, BIND. HD 6-32 X 1.750	8			X
-45	45001075-1	. FINGER GUARD, FAN	2			
-46	51000787-3	. WASHER, LOCK	8			X
-47	79001043-1	. FAN, TUBE AXIAL	2			X
	88001081-2	. FRAME ASSY	1			
-48	45000801-1	. . CASTER, THREADED STEM	4			X
-49	52000784-50	. . NUT, HEXAGON (AP)	4			X
-50	51000789-50	. . WASHER, LOCK (AP)	4			X
-51	45000802-1	. . LEVELER, NYLON	4			X
-52	52000784-38	. . NUT, HEXAGON (AP)	4			X
-53	87000419-2	. . FRAME	1			X

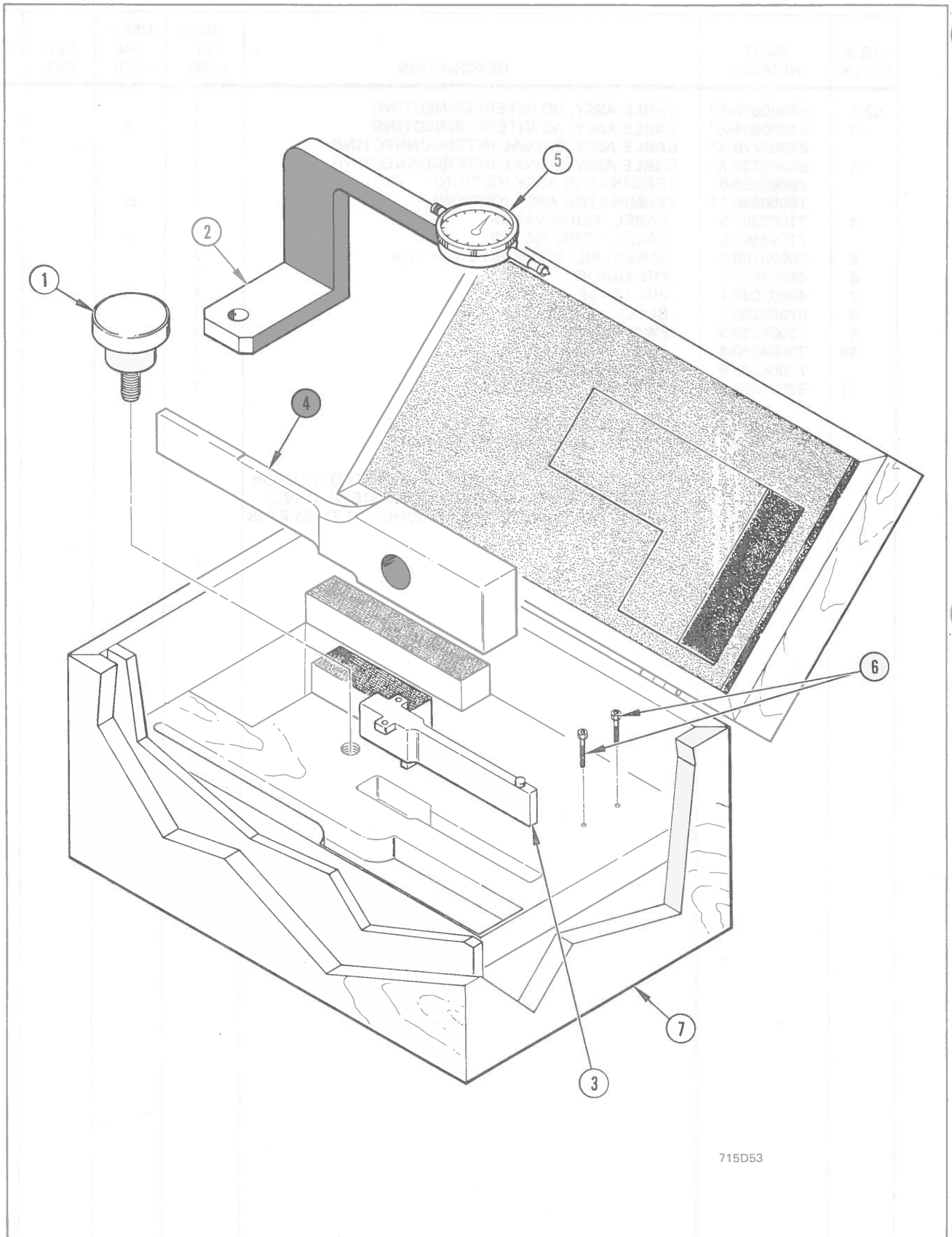
A = USED ON 50HZ DRIVES
B = USED ON 60HZ DRIVES



715D52

Figure 2-52. External Cables and Terminator

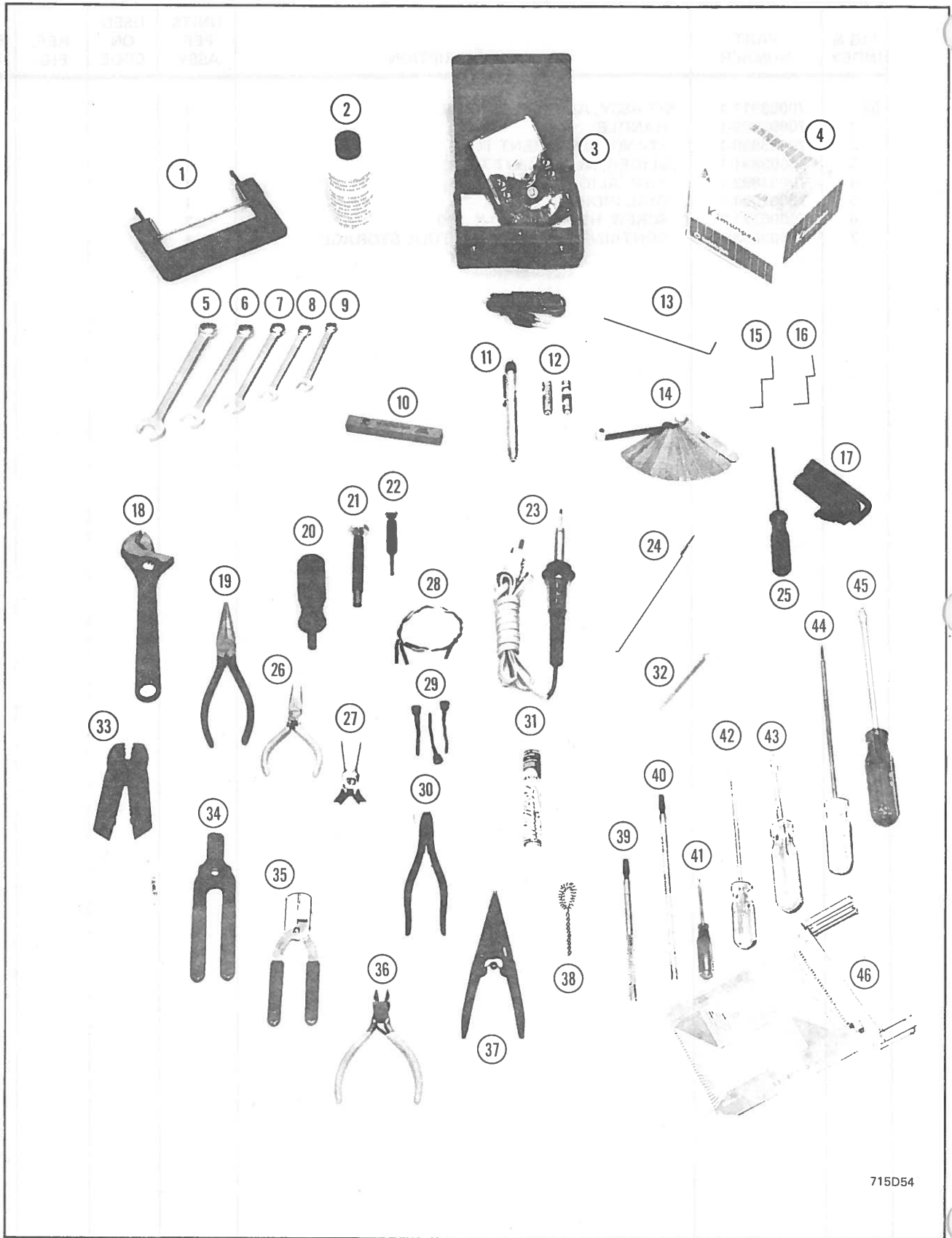
FIG & INDEX	PART NUMBER	DESCRIPTION	UNITS PER ASSY	USED ON CODE	REF. FIG.	SPARE ITEM
52-1	84000625-X*	CABLE ASSY, DC INTERCONNECTING	1			
-2	84000694-X*	CABLE ASSY, AC INTERCONNECTING	1	A		
	84003770-X*	CABLE ASSY, SIGNAL INTERCONNECTING	1			
-3	84000731-X*	CABLE ASSY, SIGNAL INTERCONNECTING	1			
	76000696-6	TERMINATOR ASSY (OPTION)	1			
	76000696-11	TERMINATOR ASSY (OPTION)	1	B		
-4	71003301-6	. LABEL, TERMINATOR	1			
	71003301-5	. LABEL, TERMINATOR	1	B		
-5	50000760-6	. SCREW, FILLISTER HD 6-32 X .375	2			
-6	48001047-1	. PIN, GUIDE	1			
-7	48001047-1	. PIN, GUIDE	1			
-8	57000288-1	. BLOCK, CONNECTOR	1			
-9	75004330-3	. PWA, TERMINATOR	1			
-10	75004330-4	. PWA, TERMINATOR	1			
	75004330-5	. PWA, TERMINATOR	3			
-11	87001087-1	. HOUSING, TERMINATOR	1			
		A = USED ON MODEL 715DEC 60-HZ B = USED ON MODEL 715DEC 50-HZ				
		*CABLE LENGTH IN FEET IS DESIGNATED BY DASH NUMBERS FROM 8 TO 54. TOLERANCE ON CABLE LENGTH 8 TO 30 FEET IS ±4 INCHES, 31 TO 54 FT IS ±8 INCHES.				



715D53

Figure 2-53. Alignment Tool Kit Assembly

FIG & INDEX	PART NUMBER	DESCRIPTION	UNITS PER ASSY	USED ON CODE	REF. FIG.	SPARE ITEM
53-	70003911-1	KIT ASSY, ALIGNMENT TOOL	1			
-1	70003889-1	. HANDLE	1			
-2	70003890-1	. STAND, ALIGNMENT TOOL	1			
-3	70003891-1	. SLIDER, ALIGNMENT TOOL	1			
-4	70003892-1	. ARM, ALIGNMENT TOOL	1			
-5	70003894-1	. DIAL INDICATOR	1			
-6	50000771-8	. SCREW, HEX SOC 4-40 X .500	2			
-7	70003893-1	. CONTAINER, ALIGNMENT TOOL STORAGE	1			



715D54

Figure 2-54. Standard and Special Hand Tools

FIG. & INDEX	PART NUMBER	DESCRIPTION	UNITS PER ASSY	USED ON CODE	REF. FIG.	SPARE ITEM
54-1	70001154-2	EXTRACTOR, PWA	1			
-2	NO NUMBER	ALCOHOL, 90PCT ISOPROPYL (PURCHASE LOCALLY)	AR			
-3	70004364-1*	MULTIMETER (QUEMENT P/N MT2)	1			
-4	70001744-1	LINT FREE TISSUE	AR			
-5	70004389-5*	WRENCH, 9/16" OPEN END BOX END (PROTO P/N 1218)	1			
-6	70004389-4*	WRENCH, 1/2" OPEN END BOX END (PROTO P/N 1216)	1			
-7	70004389-3*	WRENCH, 7/16" OPEN END BOX END (PROTO P/N 1214)	1			
-8	70004389-2*	WRENCH, 3/8" OPEN END BOX END (PROTO P/N 1212)	1			
-9	70004389-1*	WRENCH, 11/32" OPEN END BOX END (PROTO P/N 1211)	1			
-10	70004390-1*	OIL STONE, FINE (INDUSTRIAL TOOL P/N EE-44)	1			
-11	70004373-1*	FLASHLIGHT (EVEREADY P/N 312)	1			
-12	65004372-1*	BATTERIES (EVEREADY P/N E92)	2			
-13	70001779-1	PADDLE, DISK AND HD CLEANING	1			
-14	70004386-1*	GAGE SET, 0.0015 - 0.0350 (SEARS CRAFTSMAN P/N 9AT40804)	1			
-15	70003712-1	GAGE, SPECIAL GREEN 0.003	1			
-16	70003712-2	GAGE, SPECIAL BLUE 0.005	1			
-17	70004387-1*	ALLEN WRENCH SET 0.050 - 1/4" (SEARS CRAFTSMAN P/N 9AT 46693)	1			
-18	70004388-1*	WRENCH, 8" ADJUSTABLE (KLEIN P/N 500-8)	1			
-19	70004379-1*	PLIER, BERYLLIUM LONG NOSE 6-3/4" (BERYLLO P/N)-108)	1			
-20	70004367-1*	EXTRACTING TOOL, PIN TYPE X11 (AMP P/N 91010-3)	1			
-21	70004365-1*	EXTRACTING TOOL, COAX (AMP P/N305147-1)	1			
-22	70004366-1*	EXTRACTING TOOL, PIN TYPE 3 (AMP P/N305188)	1			
-23	70004375-1*	SOLDERING IRON WITH HOLDER - 30 W (AMERICAN BEAUTY P/N 3110-S3)	1			
-24	70007374-1*	INSPECTION MIRROR (BEAU-TEACH P/N SH-130)	1			
-25	70003830-1	ALLEN WRENCH, 3/32"	1			
	70004459-1	SCREWDRIVER ASSY, TORQUE 3/32" ALLEN BIT	1			
-26	70004383-1*	PLIER, 5" CHAIN NOSE (EREM P/N A20-5)	1			
-27	70004380-1*	PLIER, 5-1/2" NEEDLE NOSE (KLEIN P/N D318-5½)	1			
-28	84004410-1	JUMPER ASSY, TEST LEAD (6 IN.)	AR			
	84004410-2	JUMPER ASSY, TEST LEAD (12 IN.)	AR			
	84004410-3	JUMPER ASSY, TEST LEAD (18 IN.)	AR			
-29	84004411-1	JUMPER ASSY, TEST PROBE	AR			
-30	70004370-1*	EXTRACTING TOOL, RETAINING RING (WALDES-TRUARC P/N .0012)	1			
-31	70004371-1*	SOLDER, 60/40 MULTICORE (ERSIN P/N 115)	AR			
-32	70004382-1*	SCREWDRIVER, OFFSET STANDARD (VACO P/N VOZ)	1			
-33	70004378-1*	CRIMPER, SUPER CHAMP (AMP P/N 47100-1)	1			
-34	70004377-1*	WIRE STRIPPER (IDEAL P/N 45-121)	1			
-35	70004376-1*	WIRE STRIPPER (CLAUSS P/N .014)	1			
-36	70004384-1*	DIAGONAL, STANDARD 4-3/4" (EREM P/N A86EL)	1			
-37	70004369-1*	EXTRACTING TOOL, RETAINING RING (WALDES-TRAUARC P/N 2204)	1			
-38	70003631-1	BRUSH, HEAD CLEANING	1			
-39	70004381-1*	SCREW STARTER 6" (HJJ CO. P/N NO. 3)	1			
-40	70004381-2*	SCREW STARTER 8" (HJJ CO. P/N NO. 3)	1			

FIG & WICK	PART NUMBER	DESCRIPTION	UNIT QTY	ASSEMBLY	REF ITEM	SPARE ITEM
41	700025-01	WRENCH 1/2" OPEN END BOX END 4-1000 P.W.	1			
42	700025-02	WRENCH 1/2" OPEN END BOX END 10-150 P.W.	1			
43	700025-03	WRENCH 1/2" OPEN END BOX END 15-200 P.W.	1			
44	700025-04	WRENCH 1/2" OPEN END BOX END 20-250 P.W.	1			
45	700025-05	WRENCH 1/2" OPEN END BOX END 25-300 P.W.	1			
46	700025-06	WRENCH 1/2" OPEN END BOX END 30-350 P.W.	1			
47	700025-07	WRENCH 1/2" OPEN END BOX END 35-400 P.W.	1			
48	700025-08	WRENCH 1/2" OPEN END BOX END 40-450 P.W.	1			
49	700025-09	WRENCH 1/2" OPEN END BOX END 45-500 P.W.	1			
50	700025-10	WRENCH 1/2" OPEN END BOX END 50-550 P.W.	1			
51	700025-11	WRENCH 1/2" OPEN END BOX END 55-600 P.W.	1			
52	700025-12	WRENCH 1/2" OPEN END BOX END 60-650 P.W.	1			
53	700025-13	WRENCH 1/2" OPEN END BOX END 65-700 P.W.	1			
54	700025-14	WRENCH 1/2" OPEN END BOX END 70-750 P.W.	1			
55	700025-15	WRENCH 1/2" OPEN END BOX END 75-800 P.W.	1			
56	700025-16	WRENCH 1/2" OPEN END BOX END 80-850 P.W.	1			
57	700025-17	WRENCH 1/2" OPEN END BOX END 85-900 P.W.	1			
58	700025-18	WRENCH 1/2" OPEN END BOX END 90-950 P.W.	1			
59	700025-19	WRENCH 1/2" OPEN END BOX END 95-1000 P.W.	1			
60	700025-20	WRENCH 1/2" OPEN END BOX END 1000 P.W.	1			
61	700025-21	WRENCH 1/2" OPEN END BOX END 1000 P.W.	1			
62	700025-22	WRENCH 1/2" OPEN END BOX END 1000 P.W.	1			
63	700025-23	WRENCH 1/2" OPEN END BOX END 1000 P.W.	1			
64	700025-24	WRENCH 1/2" OPEN END BOX END 1000 P.W.	1			
65	700025-25	WRENCH 1/2" OPEN END BOX END 1000 P.W.	1			
66	700025-26	WRENCH 1/2" OPEN END BOX END 1000 P.W.	1			
67	700025-27	WRENCH 1/2" OPEN END BOX END 1000 P.W.	1			
68	700025-28	WRENCH 1/2" OPEN END BOX END 1000 P.W.	1			
69	700025-29	WRENCH 1/2" OPEN END BOX END 1000 P.W.	1			
70	700025-30	WRENCH 1/2" OPEN END BOX END 1000 P.W.	1			
71	700025-31	WRENCH 1/2" OPEN END BOX END 1000 P.W.	1			
72	700025-32	WRENCH 1/2" OPEN END BOX END 1000 P.W.	1			
73	700025-33	WRENCH 1/2" OPEN END BOX END 1000 P.W.	1			
74	700025-34	WRENCH 1/2" OPEN END BOX END 1000 P.W.	1			
75	700025-35	WRENCH 1/2" OPEN END BOX END 1000 P.W.	1			
76	700025-36	WRENCH 1/2" OPEN END BOX END 1000 P.W.	1			
77	700025-37	WRENCH 1/2" OPEN END BOX END 1000 P.W.	1			
78	700025-38	WRENCH 1/2" OPEN END BOX END 1000 P.W.	1			
79	700025-39	WRENCH 1/2" OPEN END BOX END 1000 P.W.	1			
80	700025-40	WRENCH 1/2" OPEN END BOX END 1000 P.W.	1			
81	700025-41	WRENCH 1/2" OPEN END BOX END 1000 P.W.	1			
82	700025-42	WRENCH 1/2" OPEN END BOX END 1000 P.W.	1			
83	700025-43	WRENCH 1/2" OPEN END BOX END 1000 P.W.	1			
84	700025-44	WRENCH 1/2" OPEN END BOX END 1000 P.W.	1			
85	700025-45	WRENCH 1/2" OPEN END BOX END 1000 P.W.	1			
86	700025-46	WRENCH 1/2" OPEN END BOX END 1000 P.W.	1			
87	700025-47	WRENCH 1/2" OPEN END BOX END 1000 P.W.	1			
88	700025-48	WRENCH 1/2" OPEN END BOX END 1000 P.W.	1			
89	700025-49	WRENCH 1/2" OPEN END BOX END 1000 P.W.	1			
90	700025-50	WRENCH 1/2" OPEN END BOX END 1000 P.W.	1			

FIG. & INDEX	PART NUMBER	DESCRIPTION	UNITS PER ASSY	USED ON CODE	REF. FIG.	SPARE ITEM
54-41	70004385-1*	SCREWDRIVER, BERYLLIUM 4-1/4" (XCELITE P/N BR 181)	1			
-42	70004385-4*	SCREWDRIVER, BERYLLIUM 10-1/8" (XCELITE P/N BR 146)	1			
-43	70004385-2*	SCREWDRIVER, 6-5/8" (XCELITE P/N R3163)	1			
-44	70004055-1	HEAD ALIGNMENT TOOL	1			
	70004055-2	HEAD ALIGNMENT TOOL	1			
-45	70004385-3*	SCREWDRIVER, BERYLLIUM 8-5/8" (XCELITE P/N BR186)	1			
-46	70003833-1	EXTENDER, PWA	1			
	70004363-1*	TEST CLIP, INTEGRATED CIRCUIT (COMPAR P/N 923700)	1			
	70004362-1*	SOLDER-WICK (SOLDER REMOVAL CO. P/N 10-2-5)	1			
	70004368-1*	EXTRACTING TOOL, PWA PIN (WINCHESTER P/N 107-1040-1)	1			
	87001192-2	CASE, TOOL CARRYING	1			
	NO NUMBER*	CE PACK (IBM P/N 2200100 OR EQUIVALENT)	1			
		*THE TRUE MANUFACTURER'S NAME AND PART NUMBER IS IN THE DESCRIPTION OF ALL ASTERISKED ITEMS.				

FIG. # INDEX	PART NUMBER	DESCRIPTION	UNITS PER ASSY	QTY ON HAND	REF. NUM	BLANK ITEM
24-1	1000028-1	SCREWDRIVER, BERYLLIUM & TITANIOXIDE 2 1/8 IN. (57)	1			
13	1000028-2	SCREWDRIVER, BERYLLIUM & TITANIOXIDE (2 1/8 IN. (57))	1			
40	1000028-3	SCREWDRIVER, BERYLLIUM & TITANIOXIDE 2 1/8 IN. (57)	1			
40	1000028-4	HEAD ALIGNMENT TOOL	1			
40	1000028-5	HEAD ALIGNMENT TOOL	1			
38	1000028-7	SCREWDRIVER, BERYLLIUM & TITANIOXIDE 2 1/8 IN. (57)	1			
40	1000028-8	EXTENDER, 1 1/2 IN.	1			
	1000028-9	TEST CLIP, 1/4 IN. (6.35 MM) CIRCUIT BOARD (103300)	1			
	1000028-10	SOLDER WIRE, 100% LEAD, 100% TIN (103300)	1			
	1000028-11	EXTRACTING TOOL, 1/4 IN. (6.35 MM) (103300)	1			
	1000028-12	WIRE, TOOL CARRYING	1			
	1000028-13	GEAR, 1/8 IN. (3.175 MM) OD, 1/16 IN. (1.5875 MM) OD, 1/8 IN. (3.175 MM) ID, 1/8 IN. (3.175 MM) W	1			
<p>THE TYPE AND PART NUMBER ARE SHOWN IN THE DESCRIPTION OF ALL PARTS LISTED IN THIS TABLE.</p>						

SECTION 3
PART NUMBER INDEX

PART NUMBER	FIG	INDEX	QTY
NO NUMBER	54		1
NO NUMBER	54	2	AR
10000440-1	4	6	4
10000440-1	26	8	1
10000440-1	29	2	29
10000440-1	30	2	19
10000440-1	31	3	12
10000440-1	32	6	8
10000440-1	37	14	6
10000440-1	38	2	25
10000440-1	40	7	9
10000440-1	41	8	19
10000440-1	42	3	9
10000440-1	43	5	7
10000440-1	46	12	14
10000484-1	24	9	1
10000484-1	49	15	1
10000567-1	6	3	47
10000567-1	33	3	12
10000567-1	39	18	1
10003895-1	49	16	1
10003895-1	50	3	1
10003895-1	50	13	1
10003895-1	50	23	1
11000444-13	40	29	1
11000444-13	41	58	1
11000444-13	46	18	1
11000444-2	38	35	2
11000444-20	29	15	1
11000444-22	31	24	1
11000444-24	41	42	1
11000444-25	41	40	2
11000444-25	43	28	1
11000444-28	31	50	1
11000444-28	38	52	1
11000444-36	31	30	1
11000444-36	46	27	1
11000444-38	38	50	1
11000444-39	26	14	2
11000444-6	33	12	1
11000444-6	39	14	1
11000445-1	25	58	1
11000446-1	25	50	1
12000442-1	45	18	2
12000447-1	24	34	2

PART NUMBER	FIG	INDEX	QTY
12000448-1	24	33	2
12001133-1	45	20	2
13000466-1	49	23	1
13001134-1	4	7	2
14000018-1	16	16	1
14000449-1	24	13	1
16000023-1	6	22	2
16000023-100	6	10	2
16000023-103	40	6	1
16000023-104	37	23	1
16000023-104	40	54	2
16000023-105	46	4	1
16000023-107	41	63	1
16000023-18	40	59	1
16000023-18	41	24	2
16000023-22	36	8	1
16000023-23	32	33	1
16000023-24	33	13	1
16000023-24	39	15	1
16000023-25	6	28	2
16000023-25	31	22	1
16000023-25	33	17	1
16000023-25	43	30	4
16000023-27	38	36	1
16000023-28	32	31	1
16000023-28	34	3	15
16000023-28	35	3	8
16000023-28	40	22	2
16000023-29	6	27	1
16000023-29	31	45	2
16000023-32	31	37	2
16000023-32	41	48	2
16000023-32	43	8	1
16000023-33	32	15	1
16000023-33	34	1	30
16000023-33	35	2	16
16000023-33	40	15	4
16000023-33	41	34A	2
16000023-34	46	36	2
16000023-35	31	51	2
16000023-35	40	28	2
16000023-36	26	7	1
16000023-37	6	12	2
16000023-37	40	60	1
16000023-38	6	14	2

PART NUMBER	FIG	INDEX	QTY
16000023-38	31	46	1
16000023-38	33	4	12
16000023-38	39	17	1
16000023-39	6	8	1
16000023-39	43	27	2
16000023-40	6	17	4
16000023-40	43	22	1
16000023-41	6	4	3
16000023-41	31	44	
16000023-41	33	14	2
16000023-41	37	7	1
16000023-42	31	21	3
16000023-42	32	4	4
16000023-42	40	8	2
16000023-42	41	4	3
16000023-42	43	31	4
16000023-42	46	16	5
16000023-43	6		2
16000023-43	6	29	1
16000023-43	31	7	8
16000023-43	35	17	2
16000023-43	40	44	1
16000023-43	43	29	2
16000023-44	29	7	10
16000023-44	30	6	10
16000023-44	31	28	1
16000023-44	32	7	2
16000023-44	34	2	15
16000023-44	35	1	10
16000023-44	37	11	1
16000023-44	40	19	3
16000023-44	41	35	2
16000023-44	43	13	5
16000023-45	6	21	2
16000023-45	32	5	2
16000023-45	46	17	1
16000023-46	32	14	3
16000023-46	43	16	2
16000023-47	38	32	4
16000023-47	43	38	1
16000023-48	32	9	1
16000023-48	43	17	1
16000023-49	4	8	4
16000023-49	6	18	1
16000023-49	26	9	2

PART NUMBER	FIG	INDEX	QTY
16000023-49	31	6	10
16000023-49	32	23	4
16000023-49	34	4	2
16000023-49	36	1	2
16000023-49	38	10	7
16000023-49	40	10	6
16000023-49	41	10	6
16000023-49	43	20	9
16000023-49	46	9	8
16000023-5	35	15	2
16000023-5	46	21	4
16000023-50	33	2	12
16000023-50	39	13	1
16000023-50	40	39	1
16000023-53	6	16	2
16000023-53	31	17	3
16000023-53	32	22	2
16000023-53	38	51	1
16000023-53	40	35	2
16000023-53	46	11	3
16000023-55	38	4	1
16000023-55	40	30	1
16000023-56	29	10	2
16000023-56	31	2	13
16000023-56	32	13	1
16000023-56	35	16	2
16000023-56	37	12	4
16000023-56	38	17	10
16000023-56	39	10	1
16000023-56	40	40	8
16000023-56	41	6	14
16000023-56	42	5	6
16000023-58	32	29	1
16000023-58	37	13	1
16000023-58	40	23	2
16000023-58	46	15	2
16000023-59	6	26	1
16000023-59	41	41	2
16000023-60	26	10	2
16000023-60	31	43	1
16000023-60	32	28	2
16000023-60	40	56	1
16000023-60	41	65	4
16000023-60	46	10	3
16000023-61	29	16	1

PART NUMBER	FIG	INDEX	QTY
16000023-61	31	42	1
16000023-61	40	24	1
16000023-62	6	7	2
16000023-63	37	5	1
16000023-63	40	25	1
16000023-64	38	1	10
16000023-64	40	55	1
16000023-64	43	9	1
16000023-65	40	43	4
16000023-65	41	5	1
16000023-65	43	26	1
16000023-66	26	11	3
16000023-66	31	15	6
16000023-66	38	48	2
16000023-66	40	1	3
16000023-66	41	9	1
16000023-67	31	23	1
16000023-67	32	20	6
16000023-67	40	57	2
16000023-67	43	7	2
16000023-68	4	10	1
16000023-68	31	27	2
16000023-68	32	26	2
16000023-68	33	1	24
16000023-68	37	4	4
16000023-68	39	16	2
16000023-68	41	20	7
16000023-68	43	6	2
16000023-69	40	26	2
16000023-70	29	13	1
16000023-70	31	25	1
16000023-70	40	4	1
16000023-70	41	7	8
16000023-70	46	22	1
16000023-71	41	26	2
16000023-71	46	30	3
16000023-72	40	34	2
16000023-72	41	13	9
16000023-72	46	2	3
16000023-73	31	9	5
16000023-73	38	21	7
16000023-73	40	45	3
16000023-73	41	53	2
16000023-73	42	4	7
16000023-73	43	33	1

PART NUMBER	FIG	INDEX	QTY
16000023-75	31	8	2
16000023-75	32	11	2
16000023-75	37	15	1
16000023-75	41	27	2
16000023-75	46	14	2
16000023-76	29	4	10
16000023-76	30	4	10
16000023-76	41	57	1
16000023-77	29	1	11
16000023-77	30	1	10
16000023-77	31	34	5
16000023-77	32	10	8
16000023-77	41	21	8
16000023-77	43	21	1
16000023-79	26	12	2
16000023-79	26	13	1
16000023-79	31	38	2
16000023-79	32	3	4
16000023-79	40	58	1
16000023-79	41	43	1
16000023-8	38	47	1
16000023-8	46	28A	2
16000023-80	6	6	2
16000023-80	31	10	2
16000023-80	40	2	1
16000023-80	43	3	1
16000023-81	4	9	2
16000023-81	6	15	3
16000023-81	40	48	2
16000023-81	41	25	2
16000023-82	4	11	1
16000023-82	6	13	2
16000023-82	26		1
16000023-82	29	3	10
16000023-82	30	3	10
16000023-82	37	22	1
16000023-83	41	51	2
16000023-83	43	34	1
16000023-83	46	19	2
16000023-84	31	16	3
16000023-84	41	12	1
16000023-85	41	64	1
16000023-86	41	46	2
16000023-88	31	1	7
16000023-89	29	17	1

PART NUMBER	FIG	INDEX	QTY
16000023-89	41	31	3
16000023-9	32	2	2
16000023-90	40	61	1
16000023-92	41	39	2
16000023-93	40	47	4
16000023-93	46	35	2
16000023-94	46	24	1
16000023-95	38	5	1
16000023-97	6	9	2
16000023-97	40	3	1
16000023-97	41	33	2
16000024-17	49	12	1
16000024-18	40	31	1
16000024-23	26	15	1
16000024-41	31	20	2
16000024-43	6	30	1
16000024-54	31	31	1
16000024-59	41	62	3
16000024-60	31	19	1
16000024-61	38	49	2
16000024-64	29	11	1
16000024-64	31	29	1
16000024-65	31	5	5
16000024-68	41	3	2
16000024-70	31	26	1
16000024-70	41	2	1
16000024-9	49	14	1
16000025-44	46	32	2
16000025-46	26	5	1
16000026-40	26	4	1
18000027-307	46	33	2
18000027-332	41	32	1
18000027-405	46	5	2
18000027-441	46	23	2
18000027-467	42	2	2
18000027-491	46	6	2
18000027-557	42	1	4
18000027-873	38	12	1
18000028-307	26	6	1
18003361-443	41	66	2
18003661-446	42	17	1
18003661-457	42	14	3
18003661-475	38	26	2
18003661-485	38	23	1
18003661-487	38	14	1

PART NUMBER	FIG	INDEX	QTY
18003661-493	38	8	1
18003661-499	41	56	2
18003661-499	42	16	4
18003661-518	38	11	1
18003661-537	38	29	1
18003661-551	38	9	1
18003661-554	38	37	1
18003661-557	38	38	7
18003661-565	42	15	3
18003661-609	38	13	1
18003661-615	38	39	1
18003661-623	38	27	1
18003661-647	38	30	1
18003661-667	38	16	1
18003661-671	38	24	1
18003661-673	41	52	2
18003661-691	41	50	2
18003661-725	38	25	1
18003661-735	38	15	1
18003661-783	38	28	1
19000029-32	41	55	2
19000029-43	48	22	2
19000029-7	41	54	2
19000029-8	38	31	1
19000029-9	38	41	1
20000478-1	17	18	1
20000478-1	25	43	1
20000478-25	25	35	1
20000478-73	45	14	4
20000479-33	45	11	2
20000480-2	49	10	1
20000480-29	25	33	1
20000480-49	49	9	1
20000480-8	49		1
20000481-10	25	10	2
20000481-6	25	11	1
20000483-11	24	24	1
20001353-1	27	3	1
20001353-2	27	4	1
20003475-15	17	19	1
21000485-10	38	53	1
22004402-1	16	8	1
24000451-1	37	21	1
24000451-1	40	9	8
24000451-1	41	37	2

PART NUMBER	FIG	INDEX	QTY
24000451-1	46	8	4
24000452-1	29	14	1
24000452-1	31	14	7
24000452-1	35	14	2
24000452-1	43	11	2
24000457-1	31	18	12
24000457-1	32	1	17
24000457-1	33	5	12
24000457-1	37	3	2
24000457-1	38	7	3
24000457-1	39	11	1
24000457-1	40	5	7
24000457-1	41	15	8
24000457-1	43	10	2
24000457-1	46	37	2
24000459-1	38	46	1
24000459-1	41	36	2
24000459-1	42	9	3
24000459-1	46	29	2
24000461-1	25	36	2
24000461-1	45	43	2
24000464-1	45	29	2
24000464-1	45	36	1
24000464-1	45	42	1
24000653-1	6	5	2
24000654-1	31	35	1
24001327-1	37	18	1
24001327-1	41	1	1
24001354-1	31	41	1
24001354-1	40	14	1
24001354-1	43	37	1
24003467-1	34	8	15
24003467-1	35	6	8
24003467-1	40	16	2
24003688-1	6	1	8
24003690-1	6	2	2
24003714-1	26	3	1
24003714-1	40	27	1
25000453-1	4	12	1
25000453-1	29	5	11
25000453-1	30	5	10
25000453-1	31	13	10
25000453-1	38	45	1
25000453-1	41	38	3
25000453-1	43	35	4

PART NUMBER	FIG	INDEX	QTY
25000453-1	46	13	8
25000455-1	38	6	8
25000455-1	40	51	1
25000455-1	41	29	2
25000455-1	43	1	2
25000455-1	46	3	1
25000456-1	40	52	1
25000456-1	41	59	1
25000460-1	25	44	1
25000460-1	25	51	1
25000460-1	45	44	2
25000462-1	26	2	3
25000462-1	33	6	24
25000462-1	34	7	16
25000462-1	35	4	8
25000462-1	37	10	1
25000462-1	38	19	1
25000462-1	39	12	2
25000462-1	40	18	4
25000462-1	41	18	13
25000462-1	42	8	3
26003709-1	38	33	2
26003709-1	42	7	6
27003788-1	16	15	1
29000428-1	40	38	1
29000428-1	46	34	1
29000429-1	40	49	1
29000430-1	41	67	1
29003743-1	38	42	2
29003743-1	41	16	3
29003743-1	42	18	1
30000431-1	29	12	1
30000431-1	30	11	1
30000431-1	35	12	1
30000431-1	37	9	2
30000431-1	43	14	2
30000432-1	29	9	6
30000432-1	30	9	6
30000432-1	34	13	1
30000433-1	35	13	1
30000434-1	31	33	3
30000434-1	33	11	2
30000434-1	35	7	3
30000434-1	36	9	8
30000434-1	37	17	1

PART NUMBER	FIG	INDEX	QTY
30000434-1	38	40	1
30000434-1	40	11	2
30000434-1	41	23	1
30000434-1	43	15	6
30000435-1	31	39	1
30000435-1	33	8	5
30000436-1	29	18	3
30000436-1	30	12	1
30000436-1	31	4	2
30000436-1	33	9	3
30000436-1	34	11	4
30000436-1	35	9	3
30000436-1	36	3	5
30000436-1	37	1	5
30000436-1	38	18	3
30000436-1	40	32	2
30000436-1	41	14	1
30000436-1	42	10	3
30000436-1	43	18	6
30000437-1	35	11	2
30000437-1	37	25	1
30000437-1	40	12	1
30000437-1	43	36	1
30000438-1	32	18	1
30000438-1	33	7	3
30000438-1	35	8	4
30000438-1	36	4	3
30000438-1	37	2	3
30000438-1	38	43	1
30000438-1	40	21	1
30000438-1	41	19	1
30000438-1	43	19	1
30001249-1	33	15	1
30001249-1	34	12	1
30001249-1	37	20	1
30001249-1	39	9	1
30001387-1	39	7	4
30001397-1	39	4	3
30001410-1	39	2	3
30001417-1	39	8	1
30003417-1	34	6	5
30003417-1	36	5	1
30003417-1	42	13	1
30003419-1	39	3	3
30004322-1	36	10	2

PART NUMBER	FIG	INDEX	QTY
32000474-15	32	21	2
32000474-27	32	24	2
32000474-32	6	25	2
32000474-32	32	34	1
32000474-32	43	25	1
32003561-2	48	27	1
34000486-1	24	20	1
34000487-1	24	40	1
34000574-1	49	3	1
35000030-13	32	8	5
35000031-1	40	42	1
35000031-1	45	28	2
35000031-10	41	47	1
35000031-13	31	48	1
35000031-13	40	50	2
35000031-13	41	28	2
35000031-13	45	19	2
35000031-21	31	36	1
35000031-22	46	7	1
35000031-25	25	34	1
35000031-25	46	1	1
35000031-5	31	32	1
35000031-5	40	37	1
35000031-5	41	60	1
35000031-5	46	28	2
35000031-5	46	14A	2
35000031-9	46	25	1
35000032-1	43	40	1
35000032-13	43	23	2
35000032-17	6	11	3
35000032-17	32	25	1
35000032-25	32	17	2
35000032-5	36	7	1
35000034-2	37	16	1
35000470-13	38	3	1
35000491-18	26	1	1
35000491-7	40	46	2
35000741-19	45	6	1
36000036-25	40	41	1
37000037-10	32	32	1
37000037-12	40	53	1
37000037-17	31	12	1
37000037-17	32	30	2
37000037-17	46	31	2
37000037-23	32	12	2

PART NUMBER	FIG	INDEX	QTY
37000037-30	34	5	15
37000037-30	35	5	8
37000037-30	40	20	
37000037-32	41	23A	2
37000037-37	38	22	1
37000037-37	46	26	1
37000037-38	32	19	1
37000037-42	41	34	2
37000037-43	29	6	10
37000037-43	30	7	10
37000037-49	36	11	1
37000037-49	40	36	1
37000037-52	46	20	2
37000037-55	50	1	2
37000037-56	41	49	1
37000473-40	31	47	1
38000038-1	6	19	2
38000038-1	31	40	2
38000038-1	38	34	3
38000038-1	40	33	3
38000038-1	41	30	3
38000038-1	42	6	2
38000038-1	43	24	1
38000038-11	38	54	1
38000038-13	37	19	1
38000038-13	40	62	1
38000038-7	40	63	1
38000039-21	43	32	1
38000039-7	41	44	1
38000040-11	6	20	2
38000040-11	29	19	1
38000040-11	30	10	1
38000040-11	31	49	1
38000040-11	32	27	2
38000040-11	37	24	1
38000040-11	38	44	1
38000040-11	41	61	1
38000040-11	43	39	1
38000041-5	29	8	1
38000041-5	30	8	1
38000041-5	31	11	1
38000041-5	32	16	1
38000041-5	33	10	2
38000041-5	34	10	1
38000041-5	35	10	1

PART NUMBER	FIG	INDEX	QTY
38000041-5	36	6	1
38000041-5	37	6	1
38000041-5	38	20	1
38000041-5	39	5	2
38000041-5	40	13	2
38000041-5	41	22	1
38000041-5	42	11	1
38000041-5	43	2	3
38000670-1	43	12	1
38003351-1	40	17	1
39000488-1	49	11	1
40000489-13	24	45	1
40000566-5	44	13	7
40003365-12	34	9	5
40003365-12	36	2	3
40003365-12	39	1	8
40003365-12	41	17	1
40003365-14	33	16	1
40003365-16	39	6	3
40003365-18	37	8	1
40003365-18	41	45	1
40003365-20	42	12	1
40003365-4	34	14	1
40003569-10	50	7	1
40003615-16	41	11	2
40003615-24	41	66A	1
43001296-1	22	9	3
45000214-1	14	21	1
45000224-1	14	17	2
45000224-1	15	3	1
45000224-1	16	21	1
45000225-1	14	27	1
45000226-1	14	29	2
45000496-1	17	4	4
45000506-1	9	3	1
45000506-1	9	34	2
45000583-1	10	12	4
45000801-1	51	48	4
45000802-1	51	51	4
45000811-1	44	14	1
45000812-1	44	31	1
45000813-1	2	67	2
45000813-1	44	28	4
45000814-1	44	27	4
45000814-2	2	66	2

PART NUMBER	FIG	INDEX	QTY
45000815-2	44	3	1
45000829-2	5	51	2
45000829-2	51	7	2
45000830-2	5	52	2
45000830-2	51	8	2
45000831-1	5	40	1
45000831-1	5	42	1
45000879-1	49	13	4
45000884-1	7	6	1
45000951-3	25	32	2
45000951-3	49	8	4
45000951-4	24	23	2
45001002-2	24	46	1
45001003-1	24	41	1
45001037-1	45	17	4
45001037-2	2	50	2
45001037-8	2	9	2
45001075-1	51	45	2
45001084-1	51	41	1
45001085-1	1	14	2
45001085-1	1	19	4
45001112-1	2	44	1
45001188-1	2	6	1
45001190-1	2	70	2
45001190-1	51	21	2
45001190-1	51	28	2
45001190-1	51	32	1
45001248-12	11	20	10
45001248-15	13	2	1
45001261-1	4	13	9
45001261-1	26	16	13
45001261-1	46	38	23
45001286-1	3	7	1
45001286-1	3	28	1
45001321-1	24	44	1
45001351-1	2	21	2
45001747-1	22	18	3
45001856-1	9	27	1
45001856-2	9		1
45002119-1	10	9	4
45003349-4	44	21	1
45003349-5	51	10	1
45003361-1	1	5	1
45003361-1	1	22	1
45003361-15	25	14	2

PART NUMBER	FIG	INDEX	QTY
45003361-16	51	11	2
45003361-7	50	35	1
45003361-8	27	9	1
45003378-2	47	20	2
45003378-2	51	12	1
45003580-1	17	14	2
45003612-1	21	15	40
45003612-1	51	20	31
45003732-1	6	31	30
45015495-1	44		1
46000881-1	2	23	2
46000881-1	2	20	2
46000881-1	5	26	2
46000881-1	7	8	2
46001072-1	16	5	1
46001896-1	13	3	1
47000213-1	14	20	1
47000358-1	15	6	1
47000358-1	16	24	1
47000500-1	9	26	1
47000500-3	9		1
47000508-1	9	33	1
47000509-1	9	36	1
47001100-1	2	12	2
47001227-1	22	10	6
47001362-1	2	46	1
47001430-1	7	5	1
47001795-1	19	4	2
47001836-1	13	22	12
47001836-1	13	22	1
47001847-2	13	15	5
47001849-1	13	5	1
47001905-1	22	20	1
47001910-1	16	25	1
47001910-2	16	26	1
47001910-3	15	7	1
47001910-4	15	8	1
48000216-1	14	24	1
48000364-1	9	46	1
48000367-1	16	27	2
48000582-1	10	13	8
48000589-1	9	47	2
48001047-1	20	34	2
48001047-1	52	6	1
48001047-1	52	7	1

PART NUMBER	FIG	INDEX	QTY
48001835-1	9	48	1
48001888-1	12	19	2
50000222-1	14	8	1
50000370-1	9	8	1
50000371-1	15	10	1
50000371-1	16	20	2
50000371-2	2	19	2
50000371-2	7	1	2
50000499-1	9	31	1
50000499-3	20	15	2
50000499-4	9	28	3
50000753-10	2	48	2
50000753-12	9	13	2
50000753-12	24	14	2
50000753-14	49	20	2
50000753-2	1	7	2
50000753-2	1	16	2
50000753-2	1	24	2
50000753-2	22	21	2
50000753-20	45	15	4
50000753-3	1	6	2
50000753-3	1	23	2
50000753-3	1	40	2
50000753-3	15	2	3
50000753-3	22	3	3
50000753-3	22	8	3
50000753-3	22	11	6
50000753-3	24	8	3
50000753-3	24	50	3
50000753-3	44	20	1
50000753-3	48	30	5
50000753-4	2	41	4
50000753-4	2	51	4
50000753-4	16	7	2
50000753-4	20	2	2
50000753-4	20	28	4
50000753-4	21	11	4
50000753-4	25	2	4
50000753-4	25	8	4
50000753-4	25	22	3
50000753-4	25	26	2
50000753-4	25	67	3
50000753-4	44	15	2
50000753-4	48	17	4
50000753-4	50	38	2

PART NUMBER	FIG	INDEX	QTY
50000753-5	2	5	2
50000753-5	2	35	2
50000753-5	4	3	1
50000753-5	19	5	1
50000753-5	19	7	1
50000753-5	21	8	2
50000753-5	25	28	1
50000753-5	44	24	54
50000753-6	24	29	6
50000753-7	1	35	REF
50000753-7	4	1	1
50000754-10	25	17	2
50000754-10	25	37	4
50000754-10	25	45	2
50000754-10	25	52	4
50000754-10	45	30	4
50000754-10	45	37	2
50000754-10	45	45	10
50000754-24	27	7	2
50000754-28	51	44	8
50000754-3	25	15	10
50000754-3	25	31	2
50000754-3	44	33	13
50000754-32	45	12	2
50000754-4	2	71	4
50000754-4	20	39	1
50000754-4	24	17	4
50000754-4	24	35	4
50000754-4	45	3	4
50000754-4	47	8	2
50000754-4	47	13	4
50000754-4	47	18	2
50000754-4	47	22	1
50000754-4	48	5	4
50000754-4	50	19	2
50000754-4	50	39	6
50000754-4	51	22	4
50000754-4	51	33	2
50000754-5	19	2	5
50000754-6	20	12	1
50000754-6	24	56	2
50000754-6	44	2	8
50000754-6	49	5	4
50000754-6	50	6	2
50000754-6	50	12	1

PART NUMBER	FIG	INDEX	QTY
50000754-6	50	34	2
50000754-6	51	29	4
50000754-8	2	25	1
50000754-8	45	10	2
50000754-8	47	4	2
50000754-8	50	16	2
50000755-12	24	38	1
50000755-2	23	13	3
50000755-3	48	28	4
50000755-4	2	3	3
50000755-4	2	14	2
50000755-4	2	33	4
50000755-4	2	38	4
50000755-4	2	52	4
50000755-4	2	58	5
50000755-4	2	61	1
50000755-4	2	64	2
50000755-4	2	73	9
50000755-4	2	76	10
50000755-4	20	18	2
50000755-4	24	3	2
50000755-4	24	30	2
50000755-4	45	8	1
50000755-4	51	36	2
50000755-4	51	38	3
50000755-5	24	21	2
50000755-5	24	42	3
50000755-5	24	47	2
50000755-5	24	51	4
50000755-5	44	4	2
50000755-6	1	12	4
50000755-6	2	7	2
50000755-6	2	31	2
50000755-6	2	57	1
50000755-6	5	45	1
50000755-6	9	12	2
50000755-6	9	22	1
50000755-6	19	13	1
50000755-6	19	16	4
50000755-6	19	18	3
50000755-6	19	21	5
50000755-6	19	23	3
50000755-6	19	26	2
50000755-6	20	42	6
50000755-6	24	5	2

PART NUMBER	FIG	INDEX	QTY
50000755-6	44	30	8
50000755-6	50	43	1
50000755-6	51	14	2
50000755-6	51	17	8
50000755-6	51	25	4
50000755-6	51	27	8
50000755-6	51	40	2
50000755-6	51	43	16
50000755-7	20	33	4
50000755-8	9	10	1
50000755-8	24	27	2
50000755-8	48	9	4
50000755-8	48	13	2
50000755-8	48	26	2
50000755-8	50	30	2
50000756-4	47	23	1
50000756-4	50	31	3
50000756-5	49	1	2
50000756-6	24	15	2
50000756-6	24	25	2
50000756-6	48	20	1
50000759-4	20	38	4
50000760-6	20	36	4
50000760-6	52	5	2
50000761-6	17	13	4
50000765-4	3	9	4
50000765-4	3	13	4
50000765-4	3	30	3
50000766-4	1	48	6
50000767-6	8	36	2
50000767-6	19	11	1
50000770-3	3	3	2
50000770-3	3	24	2
50000771-6	7	3	1
50000771-7	3	1	2
50000771-7	3	22	2
50000771-8	2	16	2
50000771-8	53	6	2
50000773-10	17	8	3
50000773-20	8	28	3
50000773-6	20	17	4
50000773-7	44	8	4
50000774-12	17	7	1
50000774-6	16	3	1
50000775-24	9	24	1

PART NUMBER	FIG	INDEX	QTY
50000776-16	9	41	3
50000776-20	8	25	3
50000780-24	5	48	4
50000950-1	48	19	4
50000978-1	3	14	6
50000978-1	3	31	6
50001032-1	25	12	3
50001032-1	27	1	2
50001093-3	1	31	2
50001266-4	50	41	5
50001266-6	5	30	4
50001290-1	5	12	4
50001900-4	13	1	1
51000369-1	15	5	2
51000369-1	16	23	2
51000742-1	11	24	10
51000786-10	20	23	2
51000786-2	1	36	REF
51000786-2	4	2	1
51000786-2	49	19	2
51000786-4	1	49	6
51000786-4	49	6	4
51000786-4	50	17	2
51000786-5	20	7	2
51000786-6	44	18	1
51000786-8	2	22	6
51000786-8	25	61	1
51000786-8	45	23	4
51000786-8	49	26	1
51000787-2	45	16	4
51000787-3	14	10	1
51000787-3	20	6	1
51000787-3	25	18	2
51000787-3	25	39	2
51000787-3	25	54	2
51000787-3	45	13	2
51000787-3	45	31	2
51000787-3	45	46	5
51000787-3	51	46	8
51000787-4	5	32	1
51000787-4	44	17	1
51000787-6	20	21	1
51000788-1	4	4	2
51000788-1	5	14	1
51000788-1	8	4	2

PART NUMBER	FIG	INDEX	QTY
51000788-1	19	6	3
51000788-1	19	8	2
51000788-1	20	29	4
51000788-1	21	9	2
51000788-1	21	12	4
51000788-1	25	3	4
51000788-1	25	29	1
51000788-1	50	26	2
51000788-2	2	26	1
51000788-2	2	72	4
51000788-2	19	3	5
51000788-2	20	13	1
51000788-2	20	40	1
51000788-2	24	18	4
51000788-2	24	57	2
51000788-2	27	8	2
51000788-2	47	5	2
51000788-2	47	9	4
51000788-2	47	16	1
51000788-2	47	19	2
51000788-2	48	6	4
51000788-2	51	23	4
51000788-2	51	30	4
51000788-2	51	34	2
51000788-3	1	4	2
51000788-3	1	21	2
51000788-3	1	32	2
51000788-3	1	43	1
51000788-3	5	46	1
51000788-3	19	14	1
51000788-3	19	17	3
51000788-3	19	22	5
51000788-3	20	43	6
51000788-3	24	4	2
51000788-3	24	22	2
51000788-3	24	31	2
51000788-3	24	43	3
51000788-3	24	48	2
51000788-3	24	52	4
51000788-3	44	5	2
51000788-3	44	12	7
51000788-3	48	10	4
51000788-3	48	14	2
51000788-4	20	3	2
51000788-4	24	16	2

PART NUMBER	FIG	INDEX	QTY	PART NUMBER	FIG	INDEX	QTY
51000788-4	24	26	2	51003399-2	45	26	4
51000788-4	25	60	1	51003435-1	25	42	2
51000788-4	45	22	4	51003435-1	25	49	1
51000788-4	47	24	1	51003435-1	25	57	2
51000788-4	48	21	1	51003435-1	45	35	2
51000788-4	49	2	2	51003435-1	45	41	1
51000788-4	50	32	3	51003435-1	45	50	5
51000788-5	5	38	2	51003443-2	2	4	3
51000789-10	3	15	6	51003443-2	2	8	2
51000789-10	3	32	6	51003443-2	2	32	2
51000789-2	3	4	2	51003443-2	2	34	4
51000789-2	3	25	2	51003443-2	2	59	5
51000789-25	17	2	4	51003443-2	2	62	1
51000789-31	9	42	3	51003443-2	2	65	2
51000789-38	5	49	4	51003443-2	2	74	9
51000789-4	49	21	2	51003443-2	2	77	10
51000789-50	51	50	4	51006734-6	2	21A	2
51000789-6	23	5	3	51015345-1	2	21B	2
51000789-8	44	9	4	52000783-10	25	59	1
51000790-4	3	2	2	52000783-10	45	21	4
51000790-4	3	23	2	52000783-10	49	27	1
51000790-4	11	15	1	52000783-4	1	37	REF
51000790-8	17	9	3	52000783-4	4	5	2
51001045-1	12	14	2	52000783-4	19	9	2
51001045-2	25	19	4	52000783-4	21	10	2
51001045-2	25	38	4	52000783-4	25	30	1
51001045-2	25	46	2	52000783-4	49	18	2
51001045-2	25	53	4	52000783-4	49	22	2
51001045-2	45	32	4	52000783-4	50	25	2
51001045-2	45	38	2	52000783-6	20	14	1
51001045-2	45	47	10	52000783-6	23	4	3
51001046-2	25	63	1	52000783-6	24	58	2
51001046-2	45	25	4	52000783-6	25	41	4
51001049-2	25	13	6	52000783-6	25	48	2
51001049-4	27	2	4	52000783-6	25	56	4
51001254-1	22	17	3	52000783-6	45	34	4
51001446-3	51	18	8	52000783-6	45	40	2
51001972-1	2	36	2	52000783-6	45	49	10
51001972-1	2	49	2	52000783-6	47	6	2
51001972-2	1	13	4	52000783-6	47	10	2
51001972-2	5	35	5	52000783-6	49	7	4
51001972-2	51	5	6	52000783-8	24	39	1
51003399-1	25	62	1	52000783-8	44	6	2
51003399-1	45	24	8	52000783-8	48	11	4
51003399-2	25	64	1	52000783-8	48	15	2

PART NUMBER	FIG	INDEX	QTY
52000784-25	5	39	2
52000784-25	17	1	4
52000784-38	51	52	4
52000784-50	51	49	4
52000792-4	12	17	2
52000798-8	1	33	2
52000798-8	5	31	1
52000798-8	13	17	1
52004415-5	16	4	1
53000217-1	14	25	1
53000220-1	8	31	1
53000228-1	14	9	2
53000791-2	5	18	1
53000791-2	10	4	2
53000791-4	11	11	2
53000791-4	16	13	2
53000792-10	14	4	2
53000792-10	16	19	2
53000792-12	8	32	1
53000792-2	5	13	1
53000792-2	8	20	2
53000792-3	8	12	1
53000792-4	8	21	2
53000792-4	12	7	1
53000792-4	16	12	1
53000792-6	8	3	2
53000792-6	8	5	2
53000792-6	8	14	2
53000792-6	8	33	1
53000792-6	10	6	8
53000792-6	10	8	4
53000792-6	11	8	1
53000792-6	16	1	2
53000792-8	5	2	4
53000792-8	12	18	2
53000793-10	14	23	2
53000793-4	5	4	3
53000793-5	14	7	2
53000793-5	14	16	2
53000794-4	8	16	4
53000794-4	10	2	2
53000794-4	10	11	4
53000794-6	1	42	1
53000794-6	1	45	REF
53000794-6	5	10	4

PART NUMBER	FIG	INDEX	QTY
53000794-6	5	34	5
53000794-6	5	41	3
53000794-6	8	35	2
53000794-6	9	6	4
53000794-8	5	6	5
53000794-8	8	2	4
53000794-8	8	40	3
53000794-8	8	42	1
53000794-8	9	2	3
53000794-8	9	45	4
53000794-8	51	2	1
53000794-8	51	4	6
53000796-12	8	19	4
53000796-12	11	2	2
53000796-12	11	14	1
53000796-4	12	4	2
53000796-5	11	16	2
53000796-8	5	15	1
53000796-8	5	27	20
53000797-12	13	9	2
53000797-12	13	11	4
53000797-12	13	24	1
53000797-16	8	18	4
53001792-4	17	16	1
53001861-2	11	3	1
53001894-4	8	7	2
53003619-6	11	5	2
53004492-2	12	2	1
54000498-1	9	29	3
54000507-1	9	32	1
54000799-3	2	37	2
54000799-5	5	4A	1
54000799-6	9	11	1
54001066-1	9	9	4
54001446-1	20	9	1
54001446-2	20	24	1
54001447-1	20	8	1
54001447-2	20	25	1
54001839-1	13	20	3
54001839-2	13	21	4
54001839-3	13	18	1
54002118-1	13	6	AR
54006766-1	5	16	1
54006766-1	5	28	20
57000250-1	9	40	1

PART NUMBER	FIG	INDEX	QTY
57000271-1	9	16	2
57000272-1	9	19	1
57000288-1	52	8	1
57000290-1	14	12	1
57000290-1	23	3	1
57000291-2	50	10	2
57000293-4	50	9	1
57000293-5	48	23	2
57000293-6	50	8	1
57000293-9	48	24	1
57000788-3	9	23	1
57000825-2	8	11	1
57000825-2	12	1	1
57000825-2	16	2	1
57000825-2	16	11	1
57000825-3	1	34	1
57000952-3	45	5	1
57000952-3	49	4	2
57000953-1	25	40	2
57000953-1	25	47	2
57000953-1	25	55	2
57000953-1	45	33	4
57000953-1	45	39	2
57000953-1	45	48	5
57000957-1	17	15	1
57000959-1	44	22	27
57000997-1	44	19	1
57000997-4	5	29	4
57000997-4	44	32	13
57000997-4	45	7	1
57000997-4	50	40	5
57000997-4	51	1	1
57000997-5	19	10	1
57000997-7	12	6	1
57000997-7	21	16	9
57001048-1	20	35	2
57001050-4	25	65	1
57001050-4	49	24	1
57001255-1	22	16	6
57001265-1	19	19	3
57001265-1	19	24	3
57001265-1	44	11	1
57001265-1	50	42	1
57001265-1	51	24	4
57001439-2	50	14	2

PART NUMBER	FIG	INDEX	QTY
57001960-1	6	23	10
57002121-1	5	17	1
57003359-2	24	10	2
57003359-2	50	2	3
57003359-2	50	4	2
57003578-1	22	19	3
57003593-1	45	27	1
58000099-1	44	23	27
58001704-1	20	4	1
58001705-2	20	20	1
59000521-13	50	21	1
59000521-5	50	20	1
59000521-6	25	5	1
59000564-1	50	18	1
59000565-2	48	4	2
59000573-1	25	6	1
59000573-1	50	22	2
59003476-1	48	8	2
59003477-28	48	7	2
60000662-1	22	13	1
60000665-1	22	14	2
60000665-1	22	15	1
61000223-1	8	30	1
61000223-1	14	3	1
61000223-1	16	18	1
61001235-1	20	1	
64000520-1	49	17	1
64000520-1	50	24	1
64000562-3	50	15	1
64000563-1	50	11	1
64003535-1	43	4	1
65004372-1	54	12	2
69000090-1	24	59	1
70001154-1	54	1	1
70001744-1	54	4	AR
70001779-1	54	13	1
70003631-1	54	38	1
70003712-1	54	15	1
70003712-2	54	16	1
70003833-1	54	46	1
70003889-1	53	1	1
70003890-1	53	2	1
70003891-1	53	3	1
70003892-1	53	4	1
70003893-1	53	7	1

PART NUMBER	FIG	INDEX	QTY
76003963-1	47		REF
76004050-6	20	11	1
76004050-6	28		REF
76004051-6	28	21	1
76004051-6	44		REF
76004052-6	44		1
78000207-2	14	13	1
78000207-3	14		1
78000561-1	17	21	1
78001798-1	17	20	1
79001043-1	51	47	2
79003544-2	23	9	1
83001063-2	45	1	1
83001123-1	16	14	1
83001126-1	21	3	1
83001127-1	21	2	1
83001263-1	1	38	1
83001287-1	21	4	2
83001717-1	20	22	1
83001781-2	9	21	1
83001869-1	21	1	1
83002129-1	22	4	1
83003364-1	25		1
83003683-1	16	9	1
83003979-1	21	6	1
83003983-1	12	5	1
83004358-1	21	5	1
83004410-1	54	28	AR
83004410-2	54		AR
83004410-3	54		AR
83004411-1	54	29	AR
84000625-X	52	1	1
84000694-X	52	2	1
84000731-X	52	3	1
84000988-1	17	17	1
84001451-22	20	5	1
84001453-8	24	32	2
84003392-1	48	16	1
84003393-1	48	18	1
84003770-X	52		1
84003812-1	48		1
84003813-1	48		1
87000203-1	14	6	1
87000208-1	14	18	1
87000209-1	14	15	1

PART NUMBER	FIG	INDEX	QTY
87000210-1	14	22	1
87000212-1	14	28	1
87000215-1	14	5	1
87000227-2	14	14	1
87000229-1	14	30	1
87000251-1	9	39	1
87000269-1	9	14	2
87000270-1	9	15	4
87000273-1	9	20	1
87000356-1	16	29	1
87000359-1	15	4	1
87000359-1	16	22	1
87000368-1	16	28	1
87000390-2	23	14	1
87000391-1	23	15	1
87000396-3	23	6	1
87000419-2	51	53	1
87000495-2	17	6	4
87000503-1	9	4	1
87000504-1	9	37	1
87000505-1	9	35	1
87000592-017	3	18	1
87000592-037	3		AR
87000594-017	3	16	1
87000594-037	3		AR
87000685-017	3	19	1
87000685-037	3		AR
87000686-017	3	36	1
87000686-037	3		AR
87000687-012	2	55	1
87000687-037	2		AR
87000734-1	11	27	10
87000738-1	8	22	2
87000739-1	11	18	1
87000740-1	11	19	1
87000741-1	11	23	10
87000809-1	44	29	2
87000810-1	44	26	1
87000816-1	1	20	2
87000833-1	23	11	1
87000833-1	51	6	1
87000834-2	23	10	1
87000835-1	23	1	1
87000886-1	7	4	1
87000928-1	23	7	AR

PART NUMBER	FIG	INDEX	QTY
87000934-1	51	42	8
87000935-1	51	26	4
87000944-1	5	37	2
87000949-1	51	3	1
87000961-1	11	21	1
87000962-1	11	22	1
87000971-017	3	17	2
87000971-017	3	34	2
87000971-037	3		AR
87000972-1	3	6	1
87000973-1	3	8	1
87000974-1	3	20	1
87000974-2	3	21	1
87000975-1	3	12	1
87000975-2	3	11	1
87000977-2	3	5	1
87000977-2	3	26	1
87000990-1	3	27	1
87000991-1	3	29	1
87000992-1	51	15	1
87000993-1	51	13	1
87000998-1	14	26	1
87001010-1	27	10	1
87001013-1	50	37	1
87001014-1	50	36	1
87001015-1	24	19	2
87001016-1	25	68	1
87001017-1	25	1	1
87001018-2	24	28	1
87001020-1	25	25	1
87001021-2	20	27	1
87001022-2	24	60	1
87001023-1	20	32	4
87001024-1	20	37	4
87001025-1	49	29	1
87001026-1	22	6	3
87001026-1	24	12	3
87001026-1	24	54	3
87001026-1	25	24	3
87001026-10	24	6	2
87001026-11	25	27	2
87001026-13	45	4	4
87001026-15	44	10	7
87001026-19	20	31	4
87001026-2	25	9	4

PART NUMBER	FIG	INDEX	QTY
87001026-22	47	7	2
87001026-23	47	11	2
87001026-27	47	15	1
87001026-4	47	14	3
87001026-5	9	43	4
87001026-8	19	15	1
87001026-9	25	4	4
87001027-3	24	7	1
87001027-3	24	49	1
87001027-4	25	21	1
87001027-7	22	2	1
87001028-1	45	51	1
87001029-1	49	25	1
87001030-1	24	55	1
87001031-1	25	20	1
87001033-1	25	16	1
87001035-1	24	36	2
87001036-1	24	37	1
87001039-2	25	66	1
87001060-1	51	9	1
87001067-1	1	46	1
87001068-1	15	9	1
87001069-1	15	11	1
87001070-1	16	6	1
87001071-1	15	1	1
87001080-1	1	47	1
87001083-1	51	39	1
87001087-1	52	11	1
87001095-012	2	78	1
87001095-036	2		AR
87001096-012	2	75	1
87001096-036	2		AR
87001097-2	2	79	1
87001097-8	2		AR
87001098-1	2	39	1
87001101-1	2	56	1
87001102-1	2	54	1
87001102-2	2	53	1
87001103-1	2	60	1
87001104-1	2	45	1
87001108-1	1	9	1
87001108-1	1	26	1
87001108-1	2	43	2
87001114-1	2	13	1
87001117-1	2	68	2

QTY	INDEX	PART NUMBER	QTY	INDEX	PART NUMBER
1	1	8800437-1	1	1	8800437-1
1	1	8800438-1	1	1	8800438-1
1	1	8800439-1	1	1	8800439-1
1	1	8800440-1	1	1	8800440-1
1	1	8800441-1	1	1	8800441-1
1	1	8800442-1	1	1	8800442-1
1	1	8800443-1	1	1	8800443-1
1	1	8800444-1	1	1	8800444-1
1	1	8800445-1	1	1	8800445-1
1	1	8800446-1	1	1	8800446-1
1	1	8800447-1	1	1	8800447-1
1	1	8800448-1	1	1	8800448-1
1	1	8800449-1	1	1	8800449-1
1	1	8800450-1	1	1	8800450-1
1	1	8800451-1	1	1	8800451-1
1	1	8800452-1	1	1	8800452-1
1	1	8800453-1	1	1	8800453-1
1	1	8800454-1	1	1	8800454-1
1	1	8800455-1	1	1	8800455-1
1	1	8800456-1	1	1	8800456-1
1	1	8800457-1	1	1	8800457-1
1	1	8800458-1	1	1	8800458-1
1	1	8800459-1	1	1	8800459-1
1	1	8800460-1	1	1	8800460-1
1	1	8800461-1	1	1	8800461-1
1	1	8800462-1	1	1	8800462-1
1	1	8800463-1	1	1	8800463-1
1	1	8800464-1	1	1	8800464-1
1	1	8800465-1	1	1	8800465-1
1	1	8800466-1	1	1	8800466-1
1	1	8800467-1	1	1	8800467-1
1	1	8800468-1	1	1	8800468-1
1	1	8800469-1	1	1	8800469-1
1	1	8800470-1	1	1	8800470-1
1	1	8800471-1	1	1	8800471-1
1	1	8800472-1	1	1	8800472-1
1	1	8800473-1	1	1	8800473-1
1	1	8800474-1	1	1	8800474-1
1	1	8800475-1	1	1	8800475-1
1	1	8800476-1	1	1	8800476-1
1	1	8800477-1	1	1	8800477-1
1	1	8800478-1	1	1	8800478-1
1	1	8800479-1	1	1	8800479-1
1	1	8800480-1	1	1	8800480-1
1	1	8800481-1	1	1	8800481-1
1	1	8800482-1	1	1	8800482-1
1	1	8800483-1	1	1	8800483-1
1	1	8800484-1	1	1	8800484-1
1	1	8800485-1	1	1	8800485-1
1	1	8800486-1	1	1	8800486-1
1	1	8800487-1	1	1	8800487-1
1	1	8800488-1	1	1	8800488-1
1	1	8800489-1	1	1	8800489-1
1	1	8800490-1	1	1	8800490-1
1	1	8800491-1	1	1	8800491-1
1	1	8800492-1	1	1	8800492-1
1	1	8800493-1	1	1	8800493-1
1	1	8800494-1	1	1	8800494-1
1	1	8800495-1	1	1	8800495-1
1	1	8800496-1	1	1	8800496-1
1	1	8800497-1	1	1	8800497-1
1	1	8800498-1	1	1	8800498-1
1	1	8800499-1	1	1	8800499-1
1	1	8800500-1	1	1	8800500-1