

MAD INTELLIGENT SYSTEMS
 SAN JOSE, CALIFORNIA
 TITLE B3000/V CPU
 BLOCK DIAGRAM
 SIZE DWN NUMBER 8D 0200 2A
 DATE MAR 12, 1987 SHEET 1 OF 1

CA PR PER CN 602

7/24/83 TJC

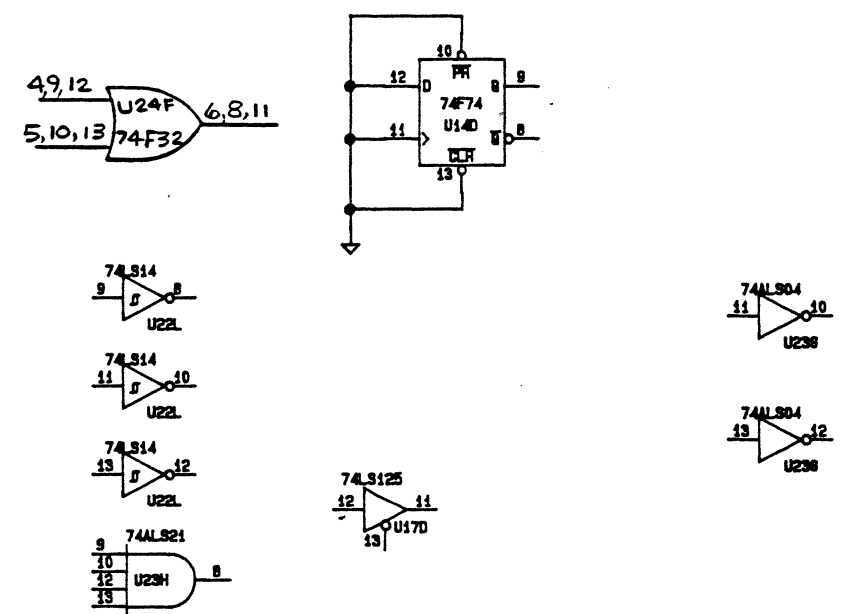
REFERENCE DESIGNATION	DEVICE TYPE	+5V	GND	+12V	-12V	-5V
U25H	18450	40	20			
U25J	SERIO PAL	18L8A	20	10		
U22F	MATHERR PAL	18L8B	20	10		
U21F	MATH PAL	18L8B	20	10		
U22F	PERG	18L8C	20	10		
U8A	CACHE PAL	18L8-12	20	10		
U20E	SBUS PAL	18L8-12	20	10		
U22J	PARYO PAL	20L8A	24	12		
U10A, U10C, U12A, U12C		2712B	28	14		
U1B-U8B		2KX8	24	12		
U21B		4068	—	7		
U21L		7406	14	7		
U22B		7407	14	7		
U23B		74ALS04	14	7		
U18D		74ALS138	16	8		
U26K		74ALS174	16	8		
U23H		74ALS21	14	7		
U22K		74ALS240	20	10		
U22K		74ALS244	20	10		
U22K		74ALS245	20	10		
U11E, U12E, U21K, U8C, U8C, U11, SE		74ALS245	20	10		
U14E, U15E		74ALS273	20	10		
U25K		74ALS574	20	10		
U15D		74F04	14	7		
U17B		74F240	20	10		
U18B		74F257	16	8		
U18D, U24F		74F32	14	7		
U14A, U14C, U24B		74F74	14	7		
U18B		74F86	14	7		
U17D, U20K		74LS125	14	7		
U22		74LS14	14	7		
U19L, U20L		78150	—	4	8	5
U22L, U24L		78154	15	8		
U19, 8D		75477	8	4		
VH1		7905	—	1	2	3
U13E		80287	9	10, 30		
U13F		80386	SH 2	SH 2		
U13F		80387	SH 3	SH 3		
U14B		8284A	16	8		
U8E		82A303	SH 6	SH 6		
U8F		82A304	SH 6	SH 6		
U8E, U8F		82A305	SH 7	SH 7		
U17K		82A306	SH 5	SH 5		
U17H		82C206	SH 11	SH 11		
U17E		82C301	SH 4	SH 4		
U8D		82C302	SH 8	SH 8		
U21H		8742	40	20		
Y2		08CMOD, 32MHZ	14	7		
Y3		08CMOD, 12MHZ	14	7		
U18D		TL7705	8	4		

REFERENCE DESIGNATION	LAST USED	NOT USED
C133		
C13		
D85		
E5		
F2		
F82		
J201	J11-88, 116-188	
K3		
R39	R36	
R27	R15	
SM2		
TC2		
TP13		
VH1		
Y8		

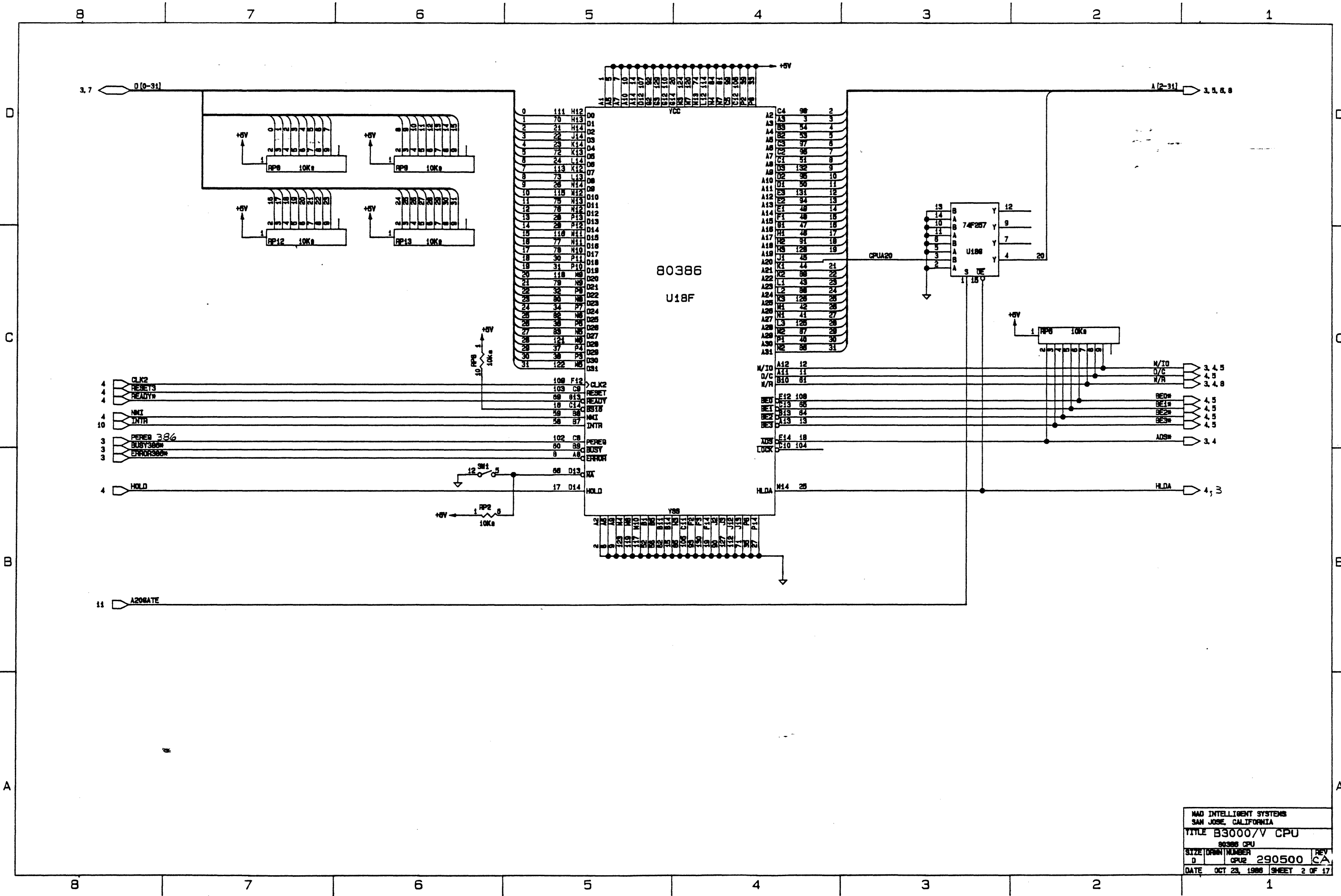
SWITCH/JUMPER SETTINGS		
SW1 FUNCTION	ON	OFF
1 VIDEO MODE	COLOR/EGA	MONO
2 RESERVED	—	—
3 RESERVED	—	—
4 EPROM TYPE	27256	27128
5 386 PIPELINING	ENABLE	DISABLE
6 SPKR VOLUME	LOW	HIGH
7 387 CLOCK	ASYNCH	SYNCH
8 RESERVED	—	—
SW2		
1 SERIAL	ENABLE	DISABLE
2 PORT	COMM 1	COMM 2
3 PARALLEL	ENABLE	DISABLE
4 PORT	LPT 1	LPT 2
JMPR	IN	OUT
E1 DCD	FORCED	
E2 CTS	TRUE	NORMAL
E3 DSR		
	A	B
E4 RESERVED	—	—
E5 IOCHRDY TMG	NORMAL	DELAYED

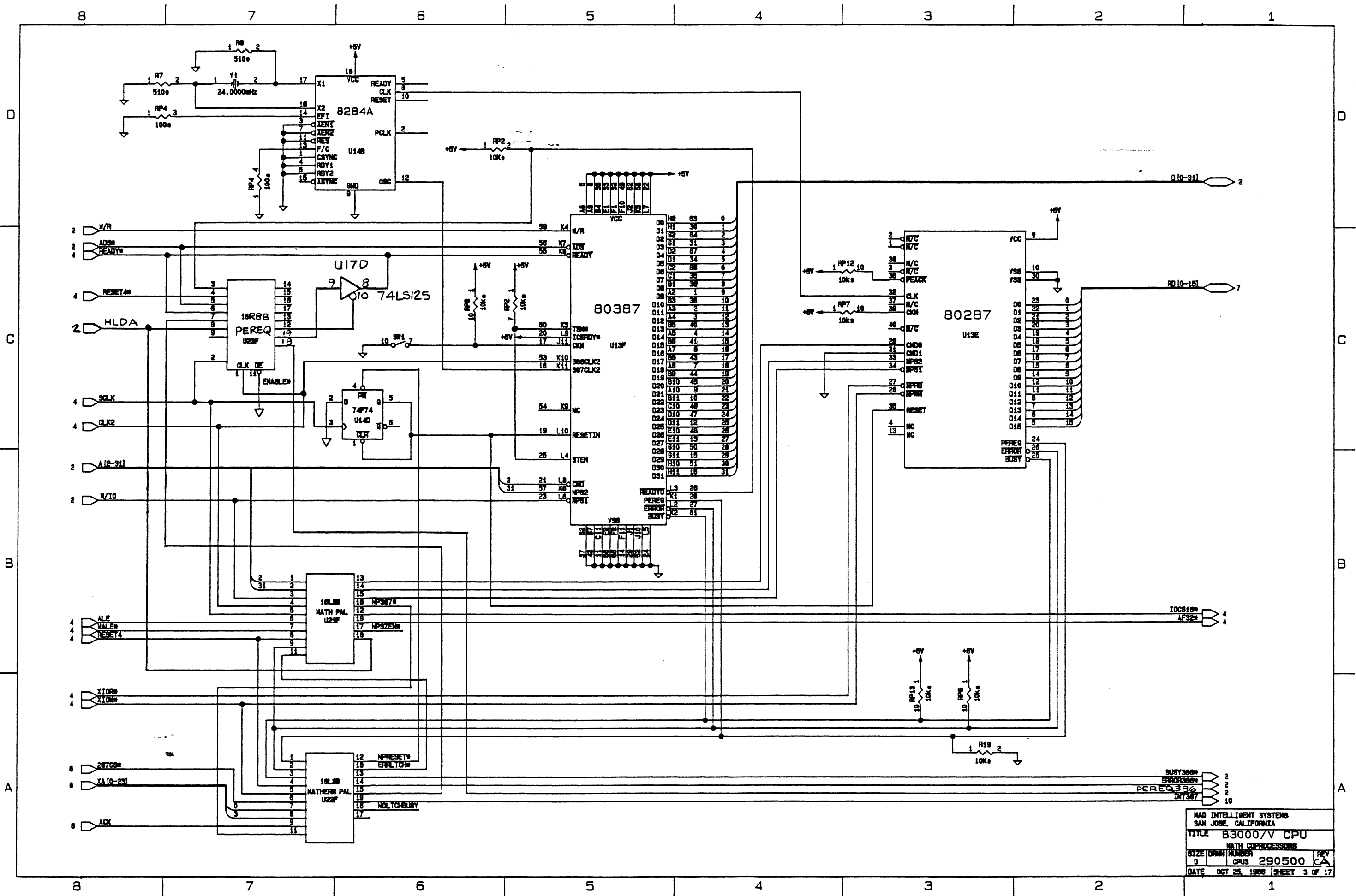
C1	CHG'D PER CN 540	04-28-87
C2	CHG'D PER CN 557	9-2-87
C3	CHG'D PER CN 564	9-3-87
C4	CHG'D PER CN 572	9-25-87
C5	CHG'D PER CN 575	9-28-87
C6	CHG'D PER CN 576	9-28-87
C7	CHG'D PER CN 584	11-3-87
C8	CHG'D PER CN 590	11-3-87
C9	CHG'D PER CN 591	11-16-87
CA	REV'D PER CN 602	7/24/88

SPARE DEVICES

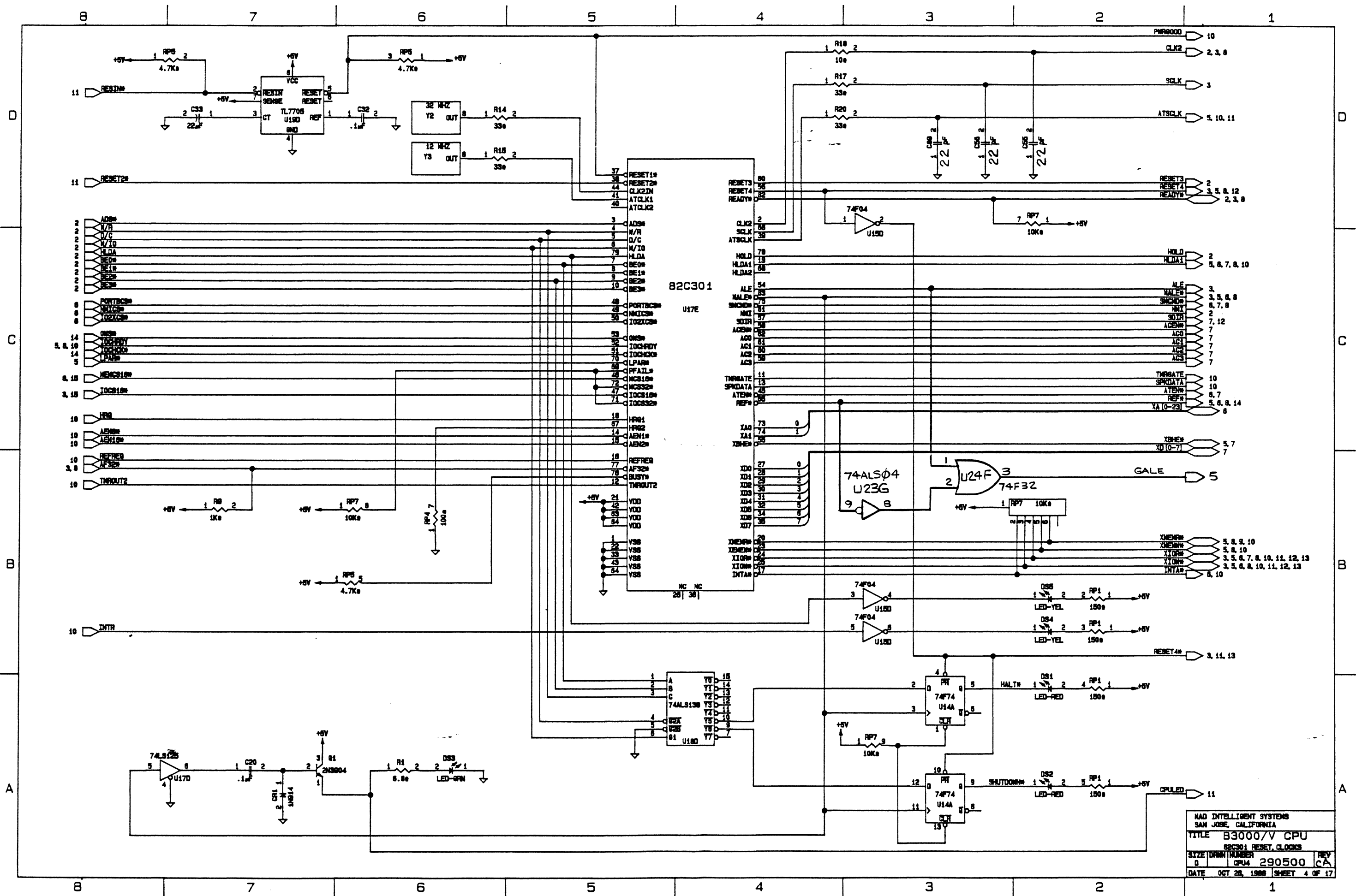


ASSY P/N:	SPEED/KIT #:	STUFF P/N:	AT LOC:
290300-00	—	—	—
290300-16	16 MHZ 350491	100308 (80386, 16MHZ)	18F
		100343 (82C302, 16MHZ)	5D
		100345 (82C301, 16MHZ)	17E
		130054 (32MHZ OSCMOD)	Y2
290300-20	20 MHZ 350492	100391 (80386, 20MHZ)	18F
		100392 (82C302, 20MHZ)	5D
		100393 (82C301, 20MHZ)	17E
		130057 (40MHZ OSCMOD)	Y2

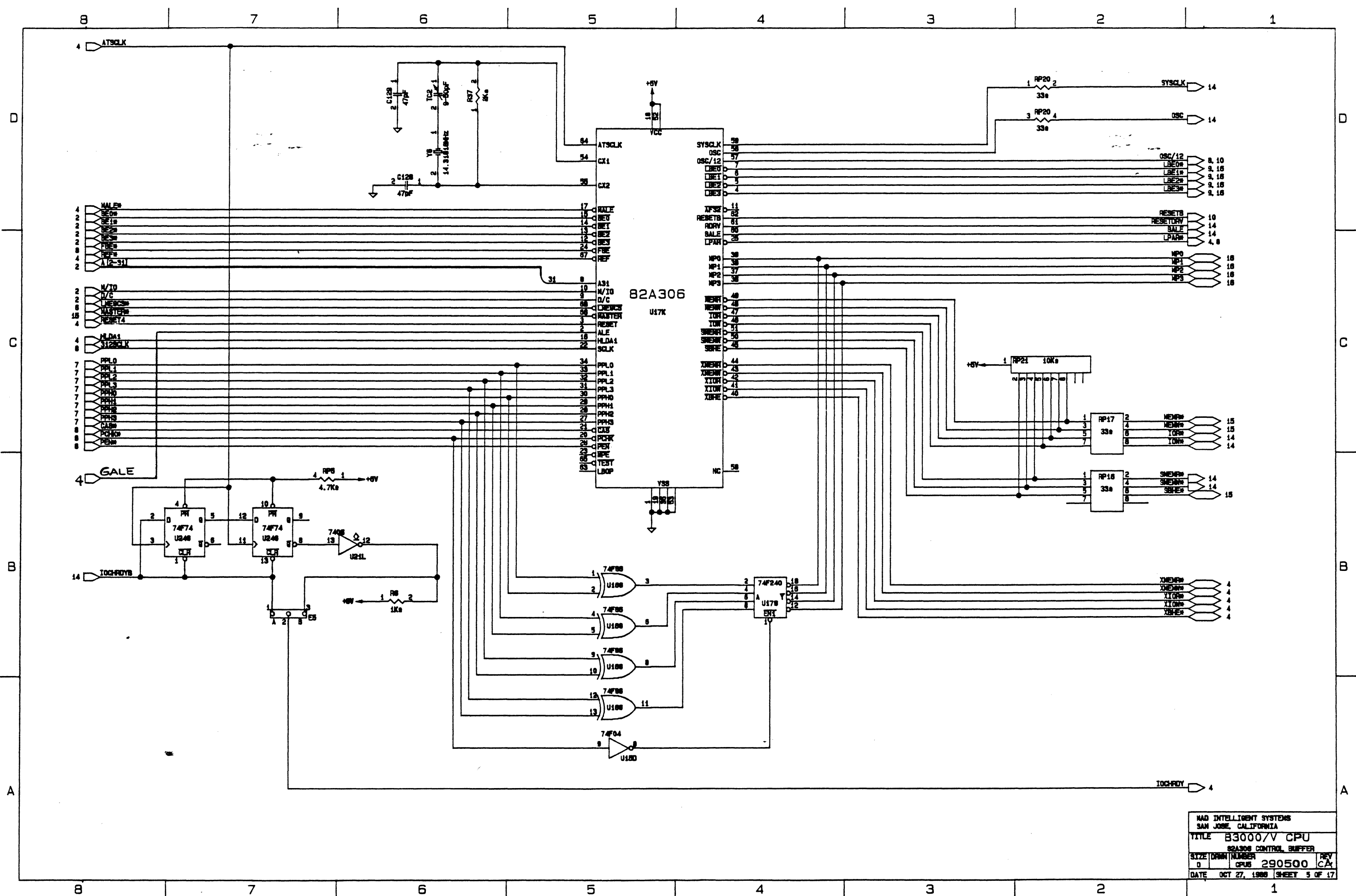




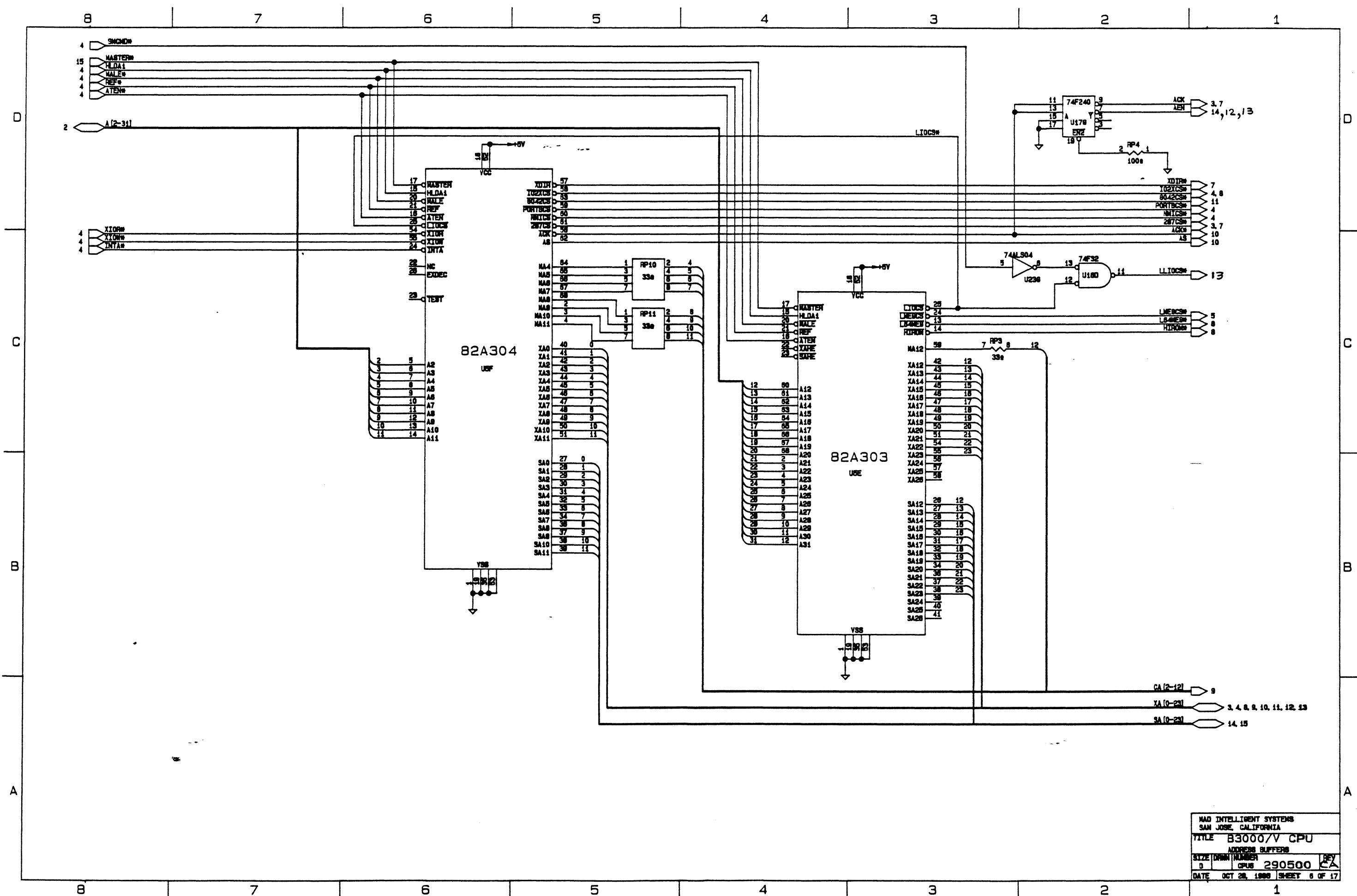
MAD INTELLIGENT SYSTEMS
 SAN JOSE, CALIFORNIA
 TITLE B3000/V CPU
 MATH COPROCESSORS
 SIZE/DRAWN NUMBER REV
 0 CPUS 290500 CA
 DATE OCT 28, 1988 SHEET 3 OF 17

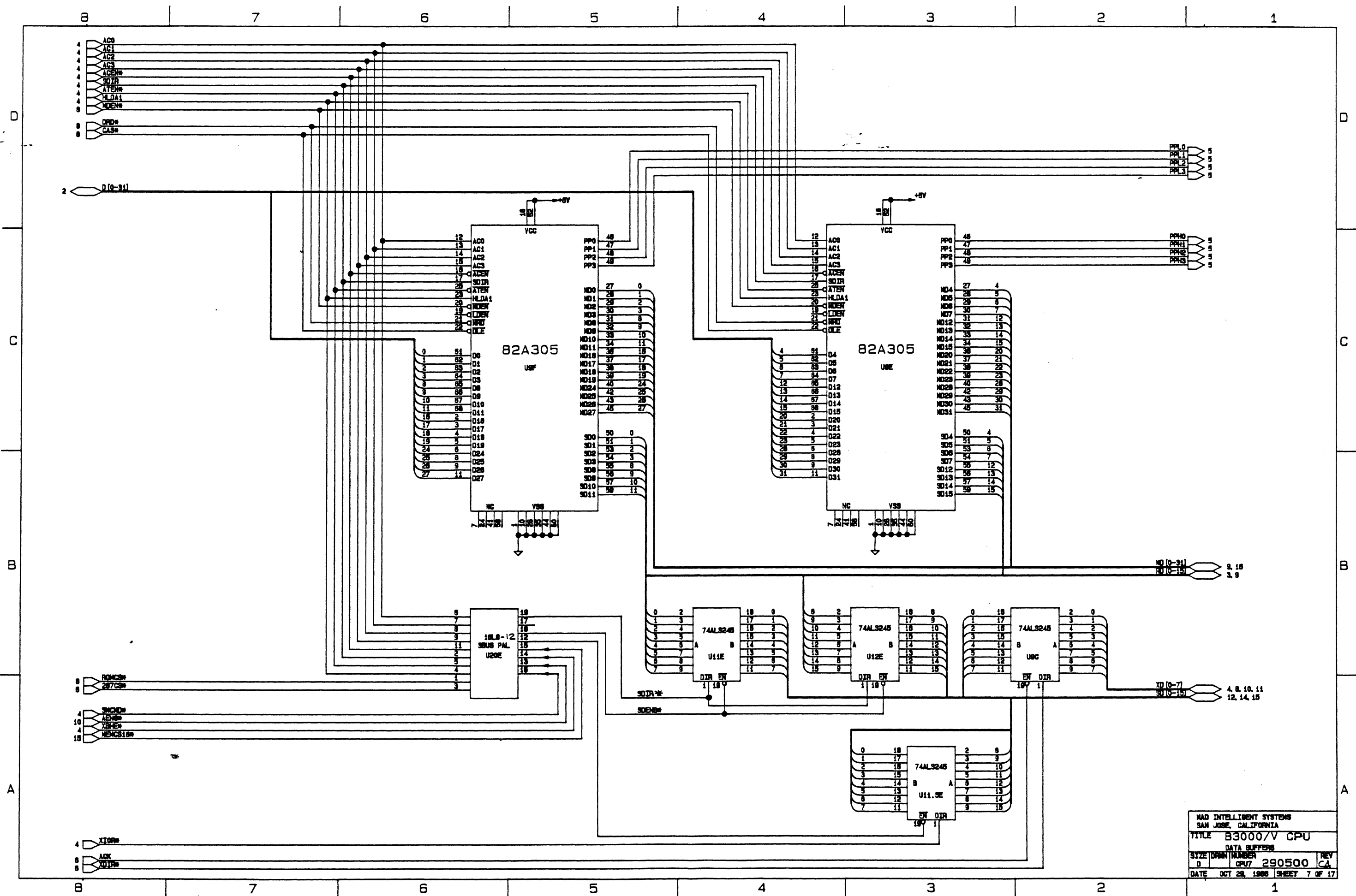


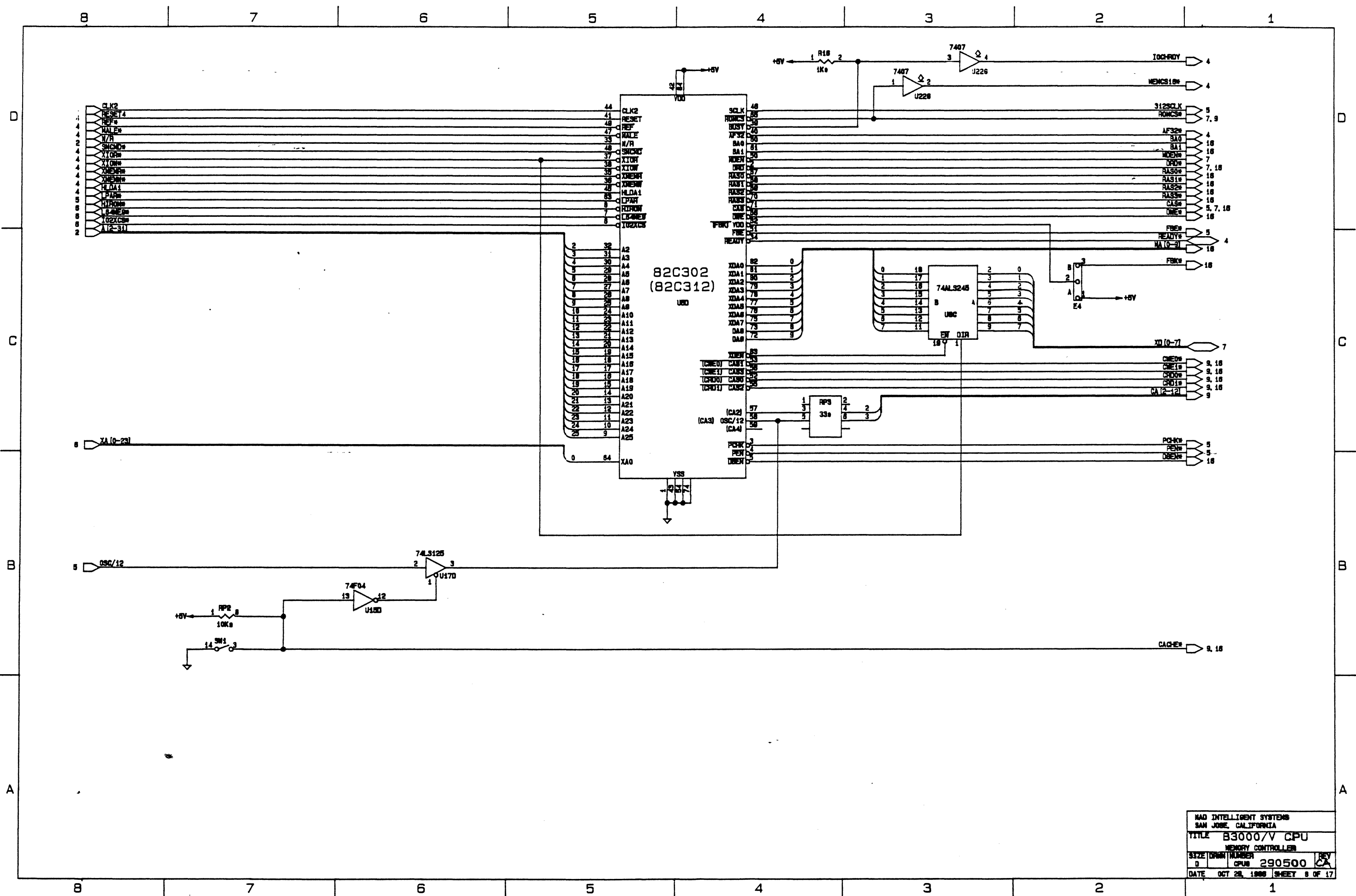
MAD INTELLIGENT SYSTEMS
 SAN JOSE, CALIFORNIA
 TITLE B3000/V CPU
 82C301 RESET, CLOCKS
 SIZE (DRAWN) NUMBER REV
 0 CPU4 290500 CA
 DATE OCT 28, 1988 SHEET 4 OF 17



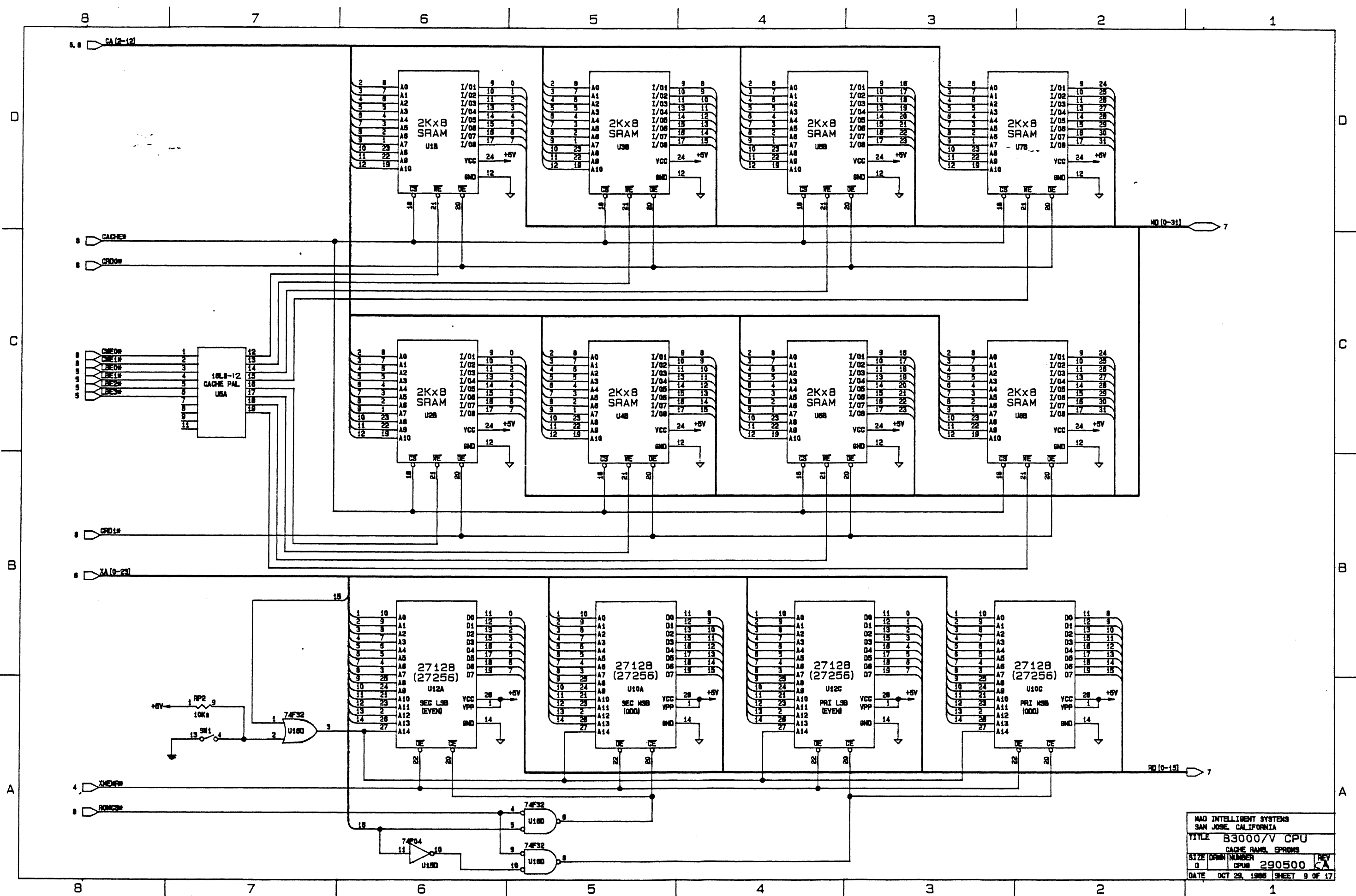
MAD INTELLIGENT SYSTEMS SAN JOSE, CALIFORNIA			
TITLE B3000/V CPU			
82A306 CONTROL BUFFER			
SIZE	DRWN	NUMBER	REV
D		CPUS 290500	CA
DATE	OCT 27, 1988		SHEET 5 OF 17



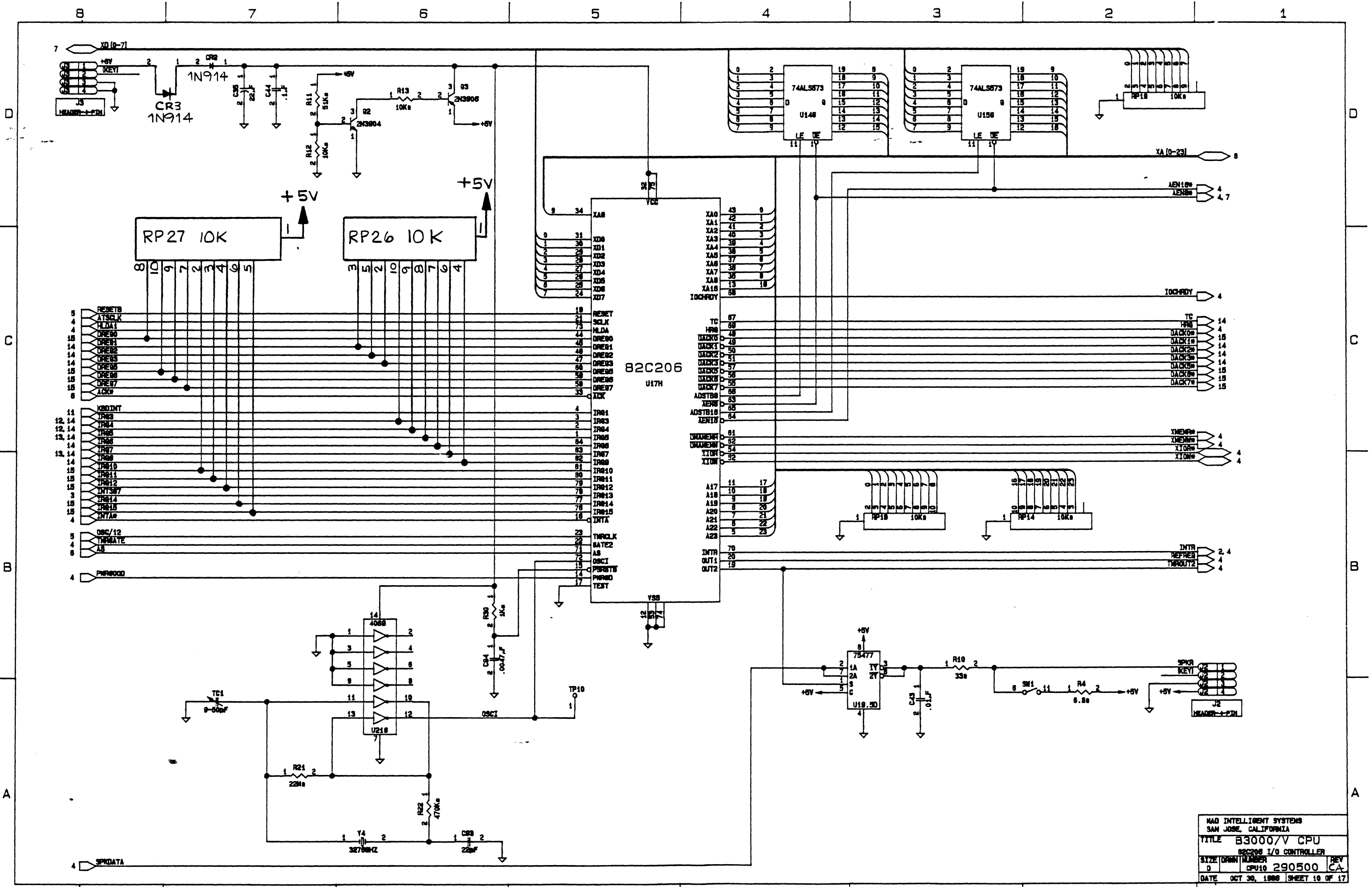




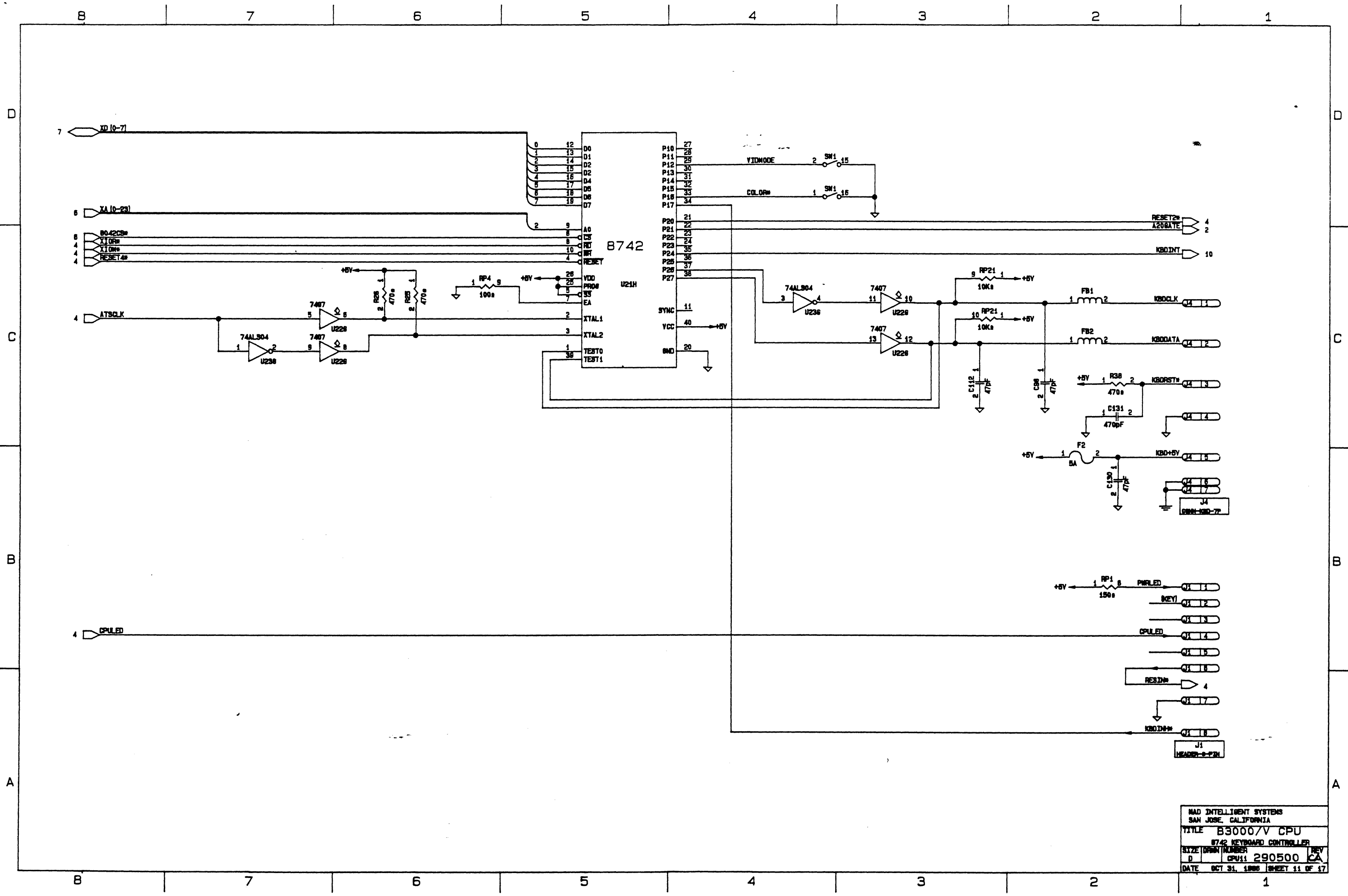
MAD INTELLIGENT SYSTEMS
 SAN JOSE, CALIFORNIA
 TITLE B3000/V CPU
 MEMORY CONTROLLER
 SIZE 0 NUMBER 290500 REV CA
 DATE OCT 28, 1988 SHEET 8 OF 17



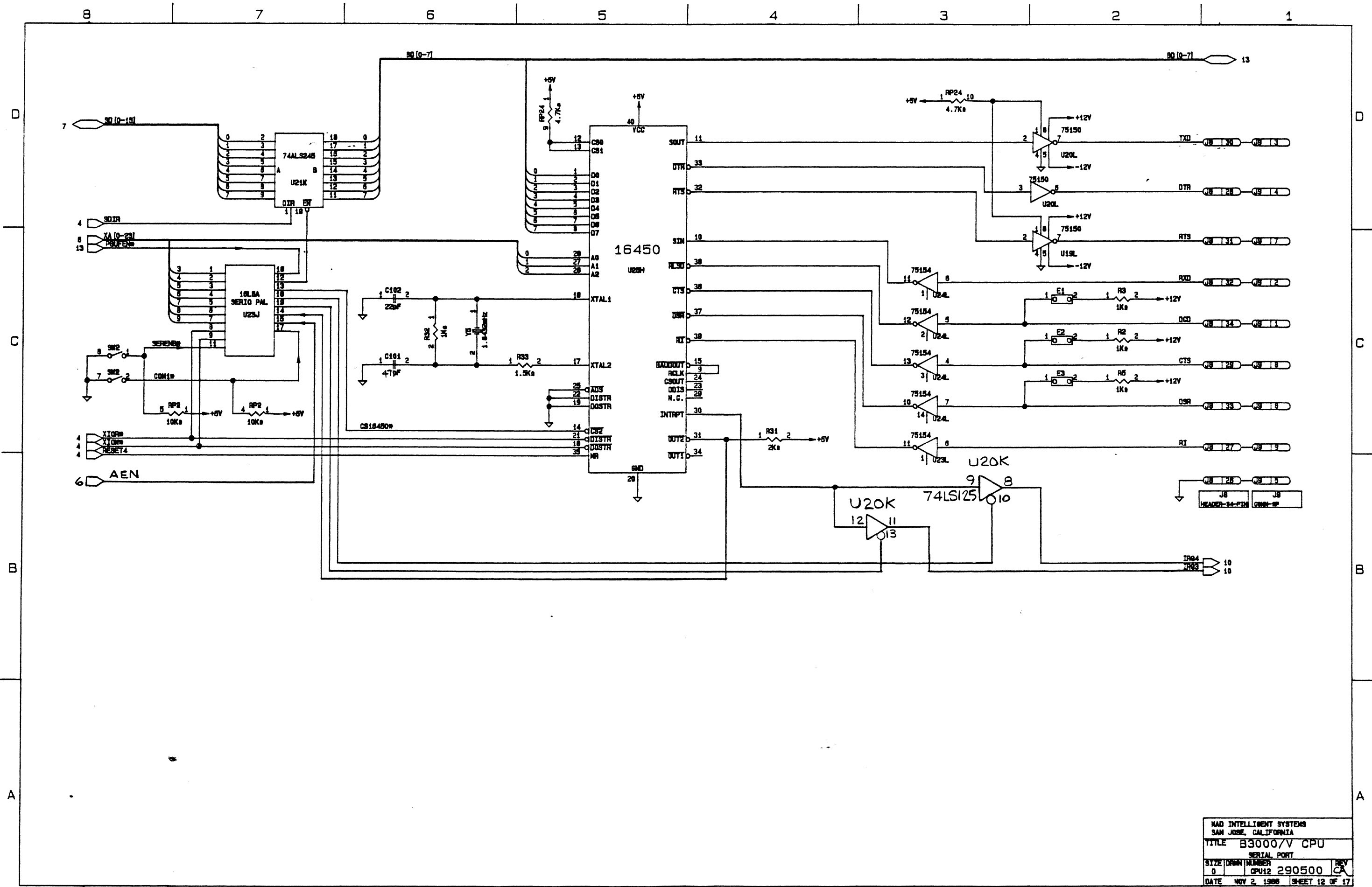
MAD INTELLIGENT SYSTEMS
 SAN JOSE, CALIFORNIA
 TITLE B3000/V CPU
 CACHE RAMS, EPROMS
 SIZE DRAWN NUMBER REV
 0 CPU# 290500 CA
 DATE OCT 28, 1988 SHEET 9 OF 17



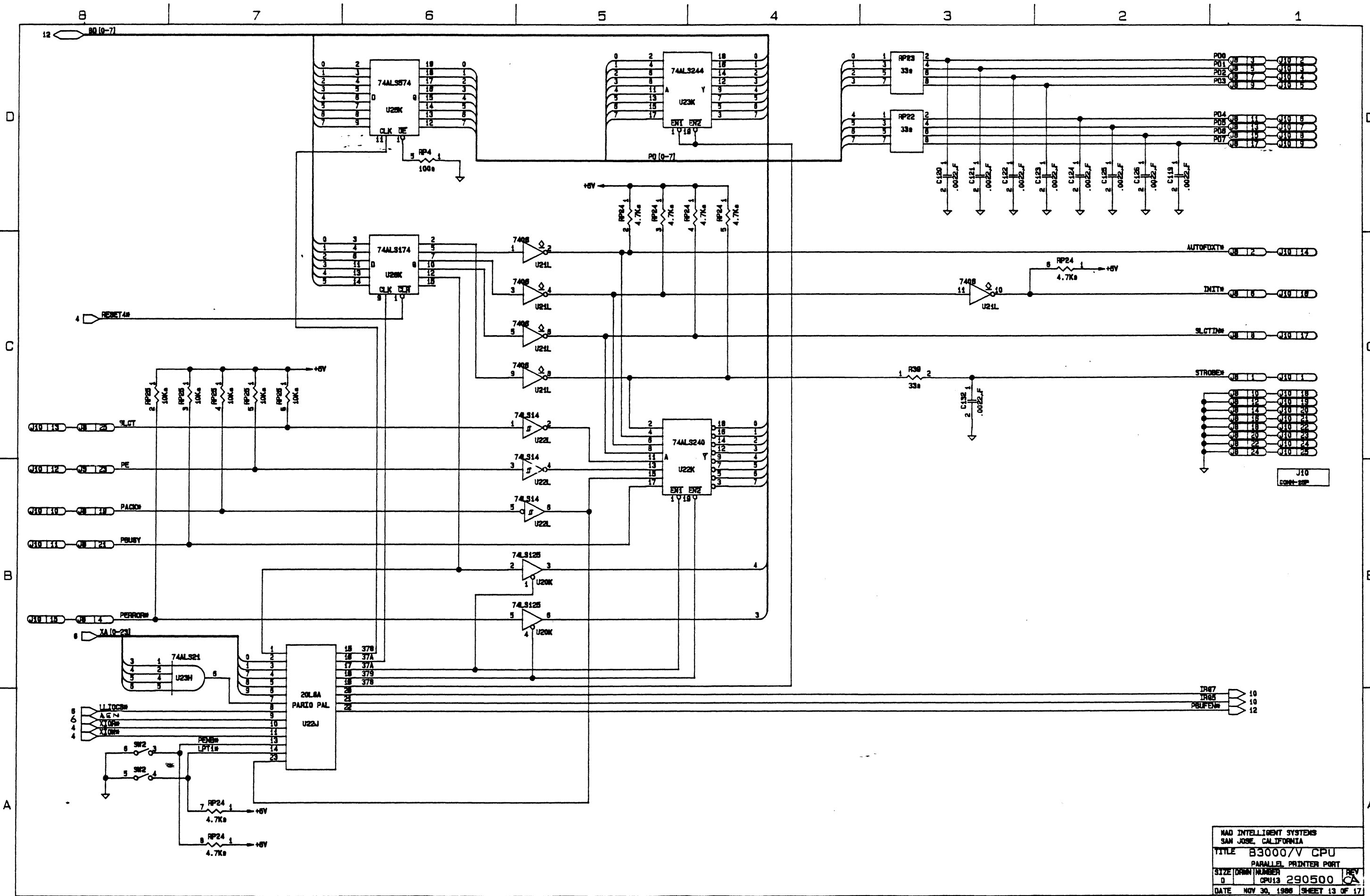
MAD INTELLIGENT SYSTEMS
 SAN JOSE, CALIFORNIA
 TITLE B3000/V CPU
 B2C206 I/O CONTROLLER
 SIZE (DMM) NUMBER CPU10 290500 REV CA
 DATE OCT 30, 1988 SHEET 10 OF 17



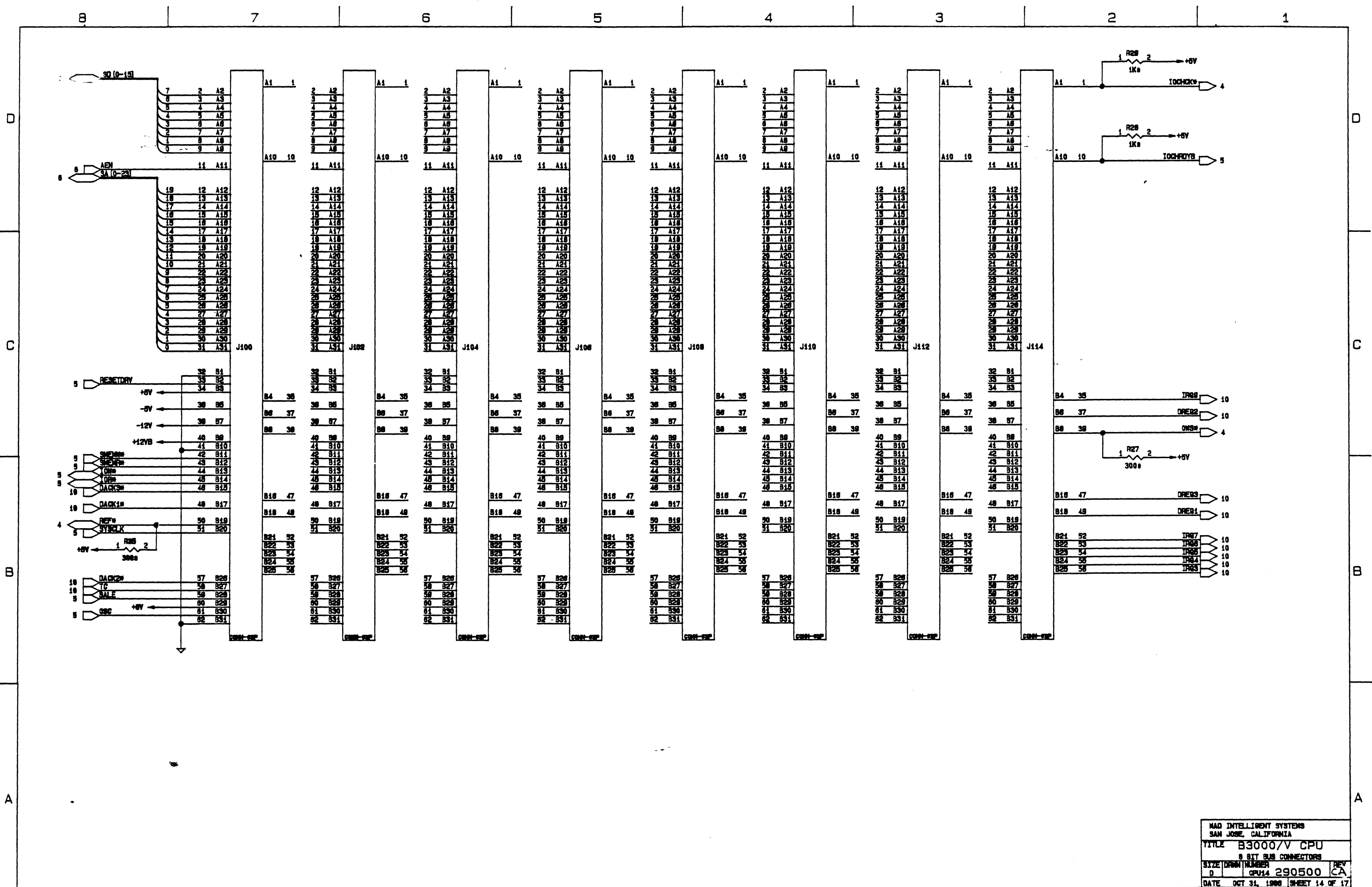
MAD INTELLIGENT SYSTEMS
 SAN JOSE, CALIFORNIA
 TITLE B3000/V CPU
 8742 KEYBOARD CONTROLLER
 SIZE DRAWING NUMBER REV
 D CPU11 290500 CA
 DATE OCT 31, 1986 SHEET 11 OF 17

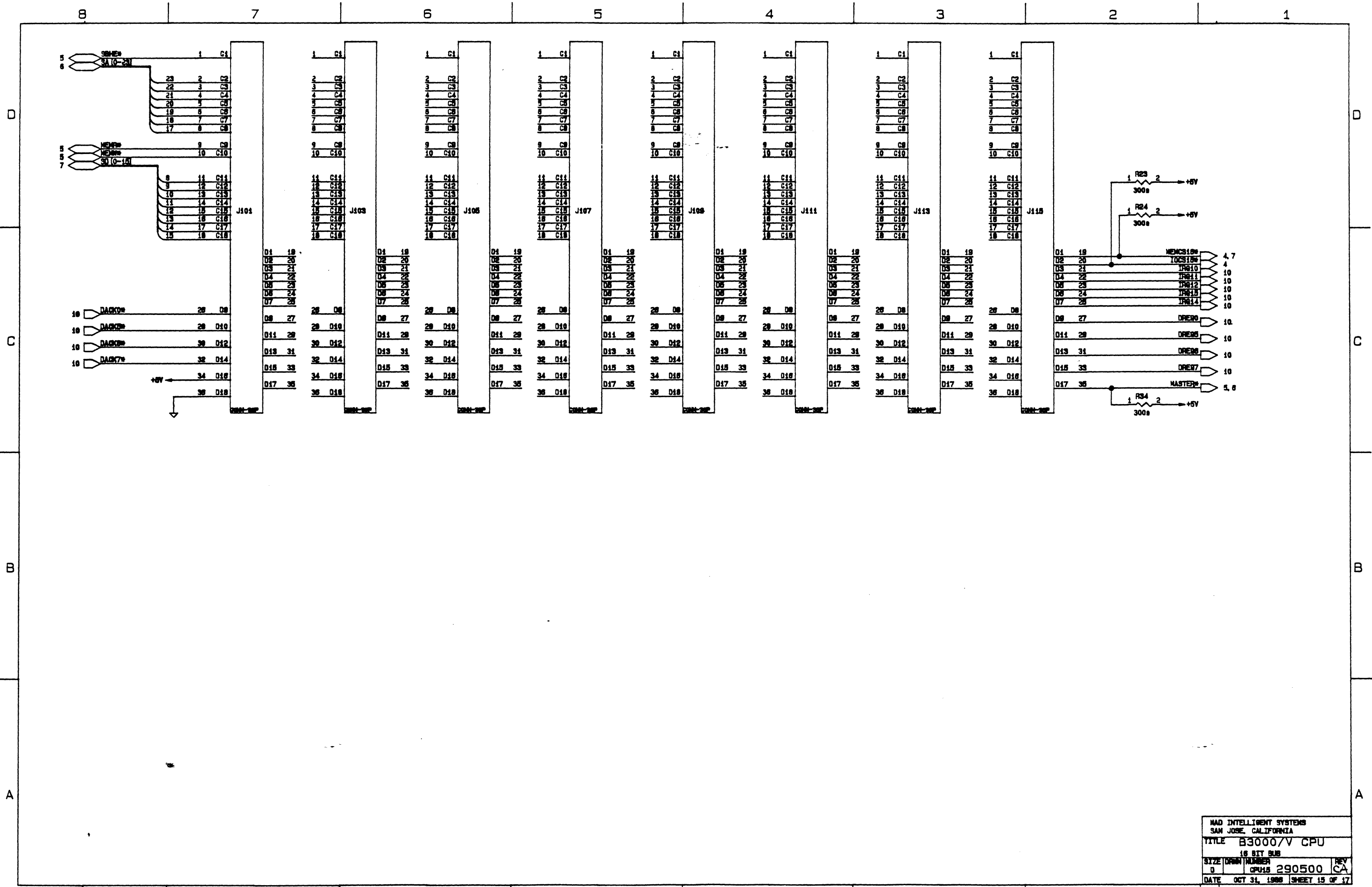


MAD INTELLIGENT SYSTEMS SAN JOSE, CALIFORNIA			
TITLE B3000/V CPU			
SERIAL PORT			
SIZE	DRAWING NUMBER	REV	
0	CPU12 290500	CA	
DATE	NOV 2, 1988	SHEET 12 OF 17	



MAD INTELLIGENT SYSTEMS
 SAN JOSE, CALIFORNIA
 TITLE B3000/V CPU
 PARALLEL PRINTER PORT
 SIZE/DRAWN NUMBER CPU13 290500
 DATE NOV 30, 1988 SHEET 13 OF 17



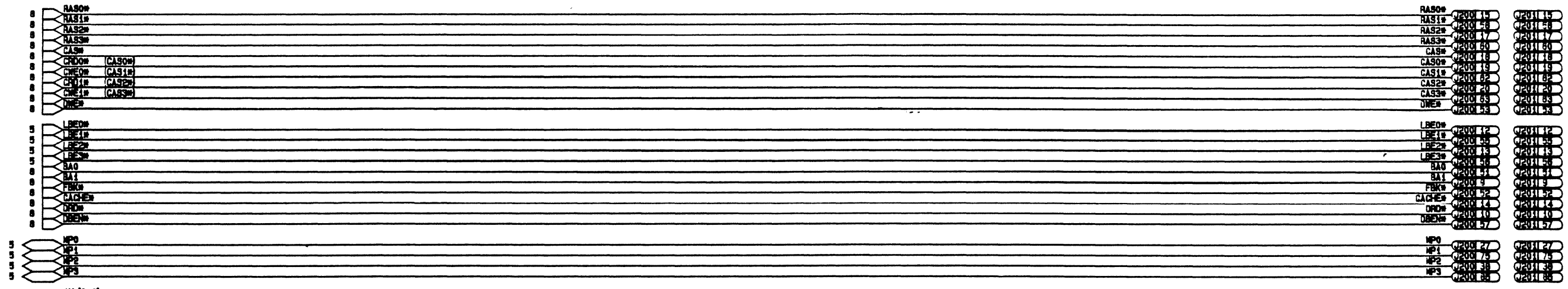


MAD INTELLIGENT SYSTEMS
 SAN JOSE, CALIFORNIA
 TITLE B3000/V CPU
 16 BIT BUS
 SIZE 0
 DRAWING NUMBER CPU15 290500
 DATE OCT 31, 1988 SHEET 15 OF 17

8 7 6 5 4 3 2 1

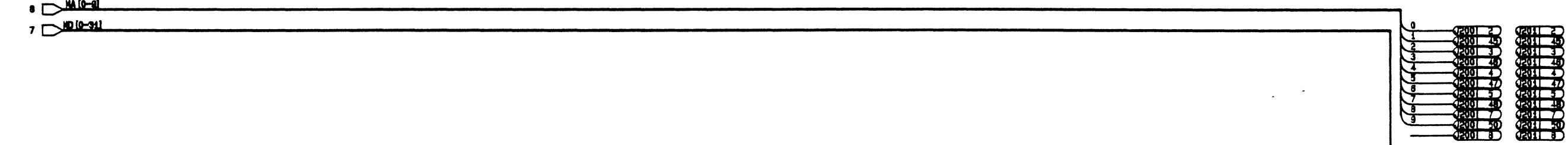
D

D



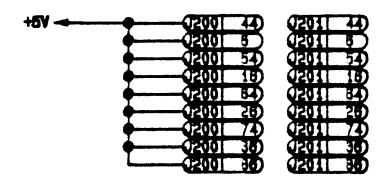
C

C



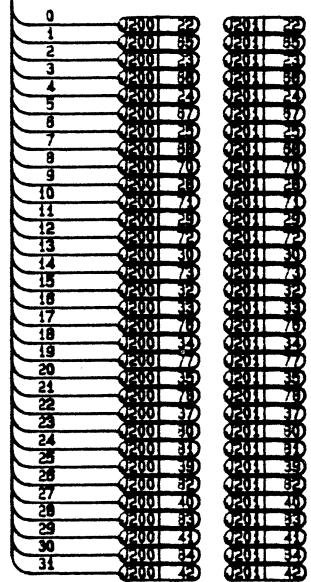
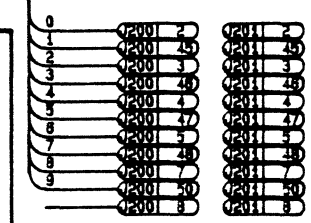
B

B



A

A

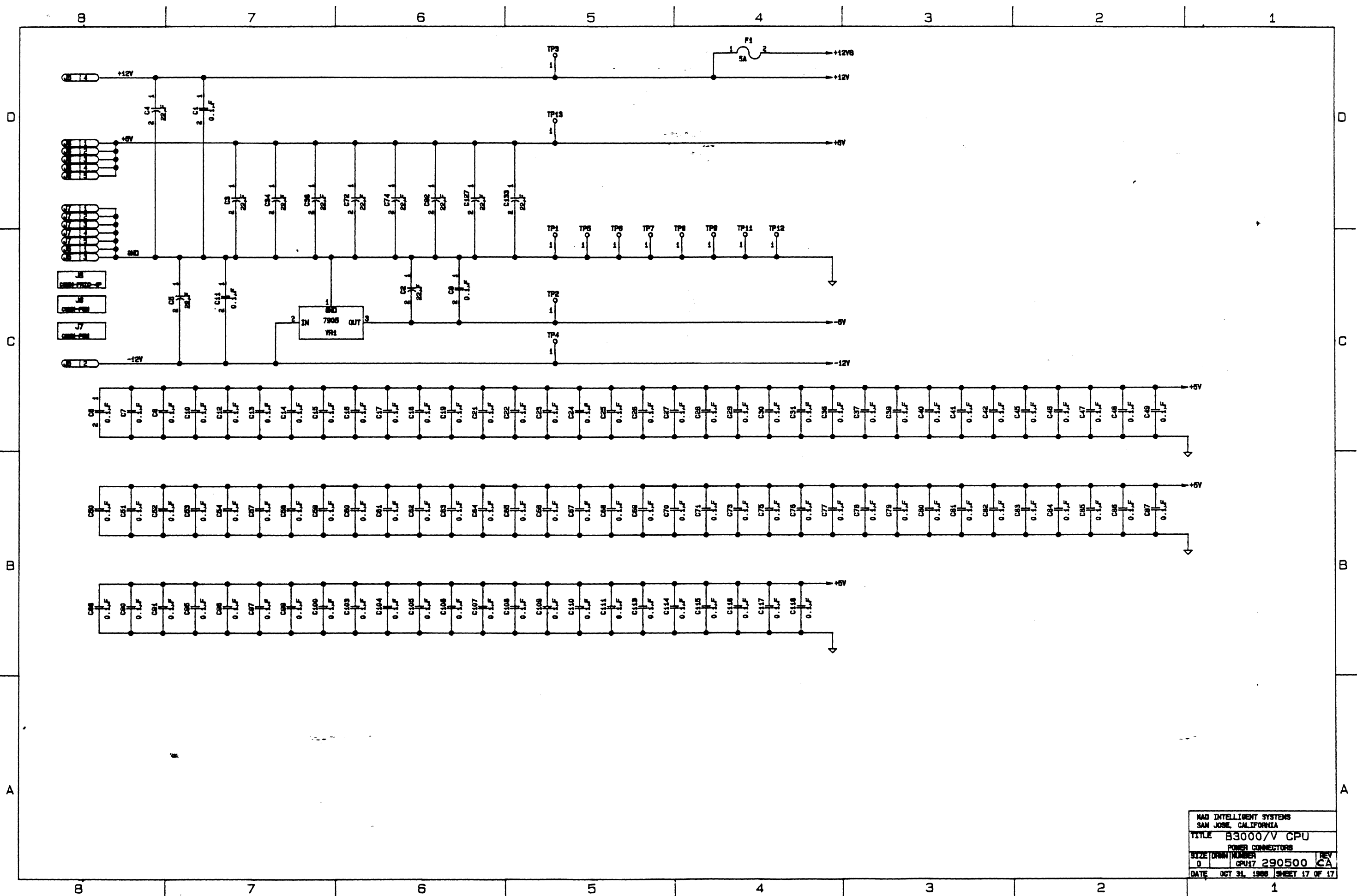


J200
CONN-IMP

J201
CONN-IMP

MAD INTELLIGENT SYSTEMS
SAN JOSE, CALIFORNIA
TITLE B3000/V CPU
MEMORY CONNECTORS
SIZE (DWM) NUMBER REV
0 CPU16 290500 CA
DATE OCT 30, 1988 SHEET 16 OF 17

8 7 6 5 4 3 2 1



MAD INTELLIGENT SYSTEMS SAN JOSE, CALIFORNIA			
TITLE B3000/V CPU			
POWER CONNECTORS			
SIZE	DRWN/NUMBER	REV	
D	CPU17 290500	CA	
DATE	OCT 31, 1988	SHEET 17 OF 17	