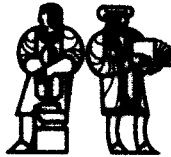


LABORATORY FOR
COMPUTER SCIENCE

(formerly Project MAC)



MASSACHUSETTS
INSTITUTE OF
TECHNOLOGY

MIT/LCS/TR-188

SIMULATION OF PACKET COMMUNICATION ARCHITECTURE
COMPUTER SYSTEMS

Randal E. Bryant

This research was conducted under a graduate fellowship from the National Science Foundation. Additional funding was supplied by the National Science Foundation under grant DCR75-04060 and by the Advanced Research Projects Agency of the Department of Defense, monitored by the Office of Naval Research under contract no. N00014-75-C-0661

545 TECHNOLOGY SQUARE, CAMBRIDGE, MASSACHUSETTS 02139

This blank page was inserted to preserve pagination.

MIT/LCS/TR-188

**SIMULATION OF PACKET COMMUNICATION ARCHITECTURE
COMPUTER SYSTEMS**

by

Randal Everitt Bryant

November, 1977

This research was conducted under a graduate fellowship from the National Science Foundation. Additional funding was supplied by the National Science Foundation under grant DCR76-04000, and by the Advanced Research Projects Agency of the Department of Defense, monitored by the Office of Naval Research under contract no. N00014-75-C-0061.

MASSACHUSETTS INSTITUTE OF TECHNOLOGY

**LABORATORY FOR COMPUTER SCIENCE
(formerly Project MAC)**

CAMBRIDGE

MASSACHUSETTS

SIMULATION OF PACKET COMMUNICATION ARCHITECTURE COMPUTER SYSTEMS¹

by
Randall Everett Bryant

ABSTRACT

Simulations of computer systems have traditionally been performed on a single, sequential computer, even if the system to be simulated contains a number of components which operate concurrently. An alternative would be to simulate these systems on a network of processors. With this approach, each processor would simulate one component of the system, hence the component simulations could proceed concurrently. By exploiting the modularity and concurrency in the system to be simulated, the simulation would itself be modular and concurrent.

An accurate simulation must model the time behavior of the system as well as its input-output behavior. In order to avoid real-time constraints on the processor and communication network in the simulation facility, the simulation of the timing must use a time-independent algorithm. That is, the simulated behavior of each component should not depend on the speed at which the simulation is performed.

With this time-independent approach, additional coordination operations are required to prevent a deadlock of the simulation. This coordination can be provided without any modification of the program for the simulation of each component. In addition, the program simulation will terminate under the most favorable conditions. Additional termination operations are also required to prevent the simulation from terminating under the most favorable conditions. These operations can also be provided without any modification of control or real-time constraints. Furthermore a simulation which uses these coordination and termination operations is provably correct. That is, the simulation will accurately model both the time behavior and the input-output behavior of the system.

THESIS SUPERVISOR: Jack R. Dennis

TITLE: Professor of Electrical Engineering and Computer Science

¹This report is based upon a thesis of the same title submitted to the Department of Electrical Engineering and Computer Science, Massachusetts Institute of Technology on May 20, 1977 in partial fulfillment of the requirements for the degree of Master of Science.

Acknowledgements

I would like to thank the members of the Computation Structures Group at the MIT Laboratory for Computer Science, especially Professor Jack B. Dennis and Ken Weng, for suggesting this area of research and for providing valuable feedback during the research and writing processes. I would also like to thank the National Science Foundation for providing me with financial support during my studies through their graduate fellowship program.

Table of Contents

1. Introduction	5
Packet Communication Architecture.....	5
The Need for Simulation.....	12
Requirements for Simulation.....	14
Methods of Simulation.....	14
Purpose of Thesis.....	18
Outline of Thesis.....	20
2. Simulation of the Components	24
Introduction.....	24
Module Operation.....	24
Channel Operation.....	30
Time Independent Simulation of a Module.....	32
3. Simulation of a System	38
Introduction.....	38
Coordination Algorithm.....	40
Conclusion.....	52
4. Termination of the Simulation	53
Introduction.....	53
Connectivity Classes.....	55
Termination Algorithm for Connectivity Classes.....	60
Conclusion.....	67
5. Improving the Efficiency of the Simulation	68
Modules which Compute Monotone Functions.....	69
Strengthening the Calculation of the Minimum Output Time.....	72
Conclusion.....	82
6. Conclusion	83
Insights and Afterthoughts.....	83
Suggestions for Further Research.....	88
Bibliography	91
Appendix 1. Correctness of the System Simulation	98
Appendix 2. Correctness of the Termination Operations	107

Chapter 1

Introduction

Computer Systems have traditionally been simulated on a single, sequential computer, even if the system to be simulated contains a number of components which operate in parallel. One of the primary purposes of simulation languages, such as GPSS and Simscript II [13], is to order the simulation of the events occurring in the different components in such a way that the simulation will correctly model the operation of the system to be simulated. An alternative approach would be to simulate parallel systems on a network of computers, such as a network of microprocessors [2,14,21] or the Arpanet [15], where each processor would simulate the operations of one component of the system. This would allow the simulation to exploit the modularity and concurrency of the system to be simulated and thereby itself achieve a high level of modularity and concurrency. The simulation of packet communication architecture systems [6] seems particularly suited for this approach, since these systems are highly modular - the components of the system operate independently and communicate with each other only by sending message packets. Hence these systems can be simulated by a network of processors which communicate by message passing.

Packet Communication Architecture

A packet communication architecture system consists of a number of independent processor modules which communicate by sending packets of information to one another. A single program is implemented as a number of separate processes, such that each process runs on one of the modules, hence the

components of the program can be executed in parallel.

The modules in a packet communication architecture system can communicate only in a limited fashion. All communication with a module is in the form of packets, except the initial state of the module, which can be given to the module in nonpacket form. Thus, a module could be initialized with a program and initial data, but thereafter it can receive information only in packets. Furthermore, a module can communicate with only a limited number of other modules. Each module receives and sends out packets through its input and output ports. A particular input port to a module can receive packets only from a particular output port of some module, or from a particular source outside the system. Input ports of the latter type are called *system input ports*, since they are the only means for an external source to send data to the system. Similarly, from a particular output port of a module, packets can be sent only to a particular input port of some module or to a particular external destination. Output ports from which packets are sent to external destinations are called *system output ports*.

Packets are carried along one-way data channels from the output port of one module to the input port of another. These channels cannot alter the values of the packets, and they must preserve the sequential ordering of the packets. Thus, a channel can be viewed as a FIFO queue between two ports. The interconnections between modules cannot be changed dynamically.

The modules in a packet communication architecture system operate

autonomously. There is no central control in the system, and any monitoring of the system operation must be passive. That is, only an external observer is allowed to monitor the modules or channels in the system, and the monitoring is not vital to the system's correct operation. As a result of this autonomy, a module can operate as soon as the necessary data packets have arrived regardless of the status of other modules in the system.

A packet communication architecture system is designed so no component of the system will be required to fulfill any timing constraints. Instead, the system must be designed to operate correctly regardless of the delay times or throughputs of the modules and channels. For example, one module cannot require another module to have a minimum response time. As a result, modules must use asynchronous communication protocols, so that a module cannot send a data value to another module which lacks sufficient buffer space. This communication protocol, however, must be implemented as packets sent back and forth between two modules for each data transfer. Otherwise, an acknowledgement signal received from a module to which data has been sent would constitute a form of nonpacket input information.

As a consequence of this time-independent design, the speed of the system or any of its components is a performance issue and not a necessary requirement for correct operation. If one module or channel is particularly slow, it might slow down the entire system, but it will not cause any malfunctions.

Examples of packet communication architecture systems include the data

flow processor of **Bank and Wilson [13]** and the data flow processor of **Rumbridge [10]**. While not precisely a packet communication architecture system (due to dynamically changing interconnections) the **Distributed Computing System at the University of Edinburgh, Irvine**, when running with the **DCS operating system [14]**, exhibits many of the same design philosophies.

Advantages of Packet Communication Architecture Systems

These systems have several major advantages over both traditional computer systems and other designs for parallel systems. First, the modules in the system can operate **independently**, thereby achieving a high rate of computation. Since there is no central control, there is no component which will inherently cause a bottleneck in the system, or which must have an extremely high throughput in order to keep the rest of the system operating at a reasonable rate.

Second, the system can be designed **modularly**, by first specifying the functional requirements for each module as well as some connection standards and then designing the modules **independently**. These modules are interact only in limited and well-defined ways, or **coupled to systems** which contain shared resources or other functions, for example, a module has a very clean interface with the rest of the system. Furthermore, since there are no timing restrictions on a module, the specifications for its operation need contain only its functional operation, i.e. the output packets produced in response to a set of input packets.

Once a system has been designed, we can try to **optimize its performance**. This involves identifying the modules and channels in the system which are

consistently heavily loaded and hence form bottlenecks in the system. A bottleneck can be eliminated by redesigning the module or channel to operate faster or by splitting one module into several modules. Because the system is designed to be speed independent, the speed of one module can be varied without causing malfunctions.

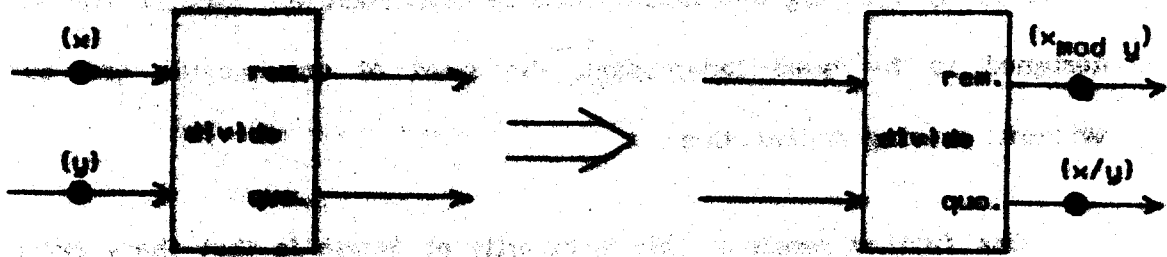
One further result of this modularity of design is that these systems can be proved correct much more easily than other computer systems. To prove the correctness of a packet communication architecture system, one can specify the required properties of each module, prove that each module satisfies these properties, and then prove that the system will operate correctly if all modules satisfy their requirements. In other words, the correctness of the system can be proved modularly. General methods of proving the correctness of packet communication architecture systems are currently being investigated by Ellis [10].

Examples of Packet Communication Architecture Modules

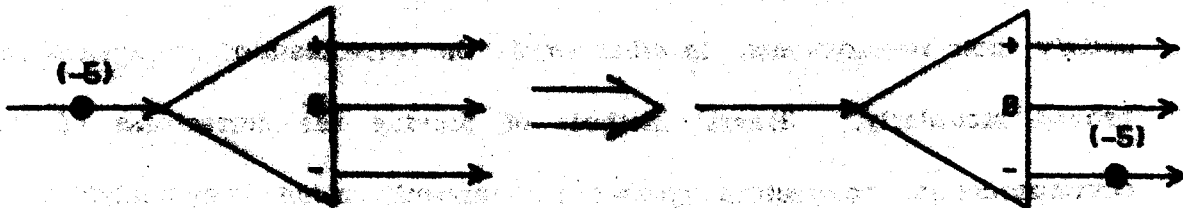
Three basic module types: functional operators, switches, and arbiters illustrate some of the operations which can be performed by packet communication architecture modules. Examples of their operation are shown in Figure 1.1. In the diagrams the lines represent the channels connected to the input and output ports of the modules, and the dots on these lines represent data packets being transmitted over the channels.

A functional operator computes several functions (one for each output port)

A. Functional Operator



B. Switch



C. Arifter

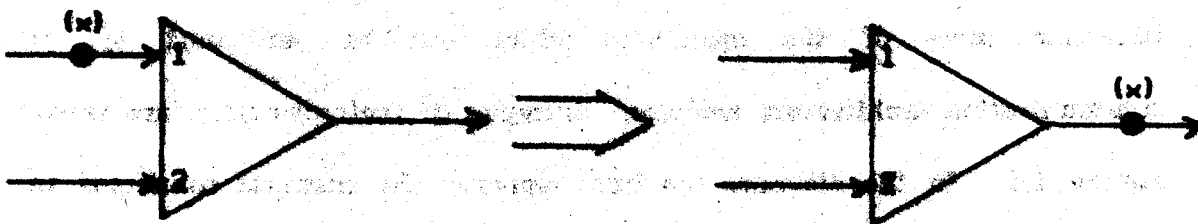


Figure 1.1 - Examples of Operators for Three Simple Module Types.

with input packets as arguments. It can *fire* as soon as one packet is received at each input port, meaning that it absorbs these input packets, computes the output values, and sends one output packet from each output port. For example, the *DIVIDE* module of Figure 1.1a computes two functions: the quotient and the remainder of the input values.

A switch module provides a means of routing data to different modules in the system. It can fire as soon as a packet is received on its input port. In firing, it absorbs the input packet and then sends an identical output packet from one of several output ports, depending on the packet's value. In the example of Figure 1.1b, the output port selected depends on whether the packet value is positive, zero, or negative.

As a final example, the arbiter module serves to merge together the streams of output packets from several modules. It can fire as soon as a packet is received on either input port. In firing, it absorbs a packet from one of the input ports and sends an identical packet from its output port. If packets are received at two input ports simultaneously, the module will first fire, absorb one of these packets, and send it out. By the rules of operation, any packet which is not absorbed will remain at the input port. Hence, the module will fire a second time, absorb the remaining packet, and send this one out.

Other packet communication architecture modules can have behaviors which depend on other factors, such as past activities of the module, the arrival times of the input packets, and stochastic processes within the module. The

general rules of operation for the modules will be discussed in Chapter 2.

The Need for Simulation

Once the functional behavior of all components have been developed and proved correct, there are other issues to be settled before the system can be implemented. The implementation must meet other requirements on the overall speed of operations or the total cost of the system. Thus, for a particular implementation, a designer will want to measure the performance of the system for different sets of input data. These measurements can include such factors as the overall speed of the system, the load on particular components, and the buffering requirements at the input parts. Once measurements for a particular implementation have been made, the designer will want to make measurements when such parameters as throughput or delay time for particular components have been varied, or modifications have been made to the original design. By this method, the designer can maximize the speed and minimize the cost of the system.

Measurements of a system's performance are required not only to find an optimum implementation, but also to compare the system to other system designs, or to conventional computer systems. While packet communication architecture systems are potentially very fast due to the high level of parallelism, a method of comparison with traditional computer systems is desired.

Developing mathematical methods of predicting the performance of

particular systems seems to be very difficult. One cannot simply count the number of instruction cycles required for a particular program with a particular set of input data. While the modules interact with each other in a very limited and well-defined way from a functionality viewpoint, the performance of a module can have very subtle effects on the performance of the overall system. For example, increasing the throughput of one module can cause another module to become a bottleneck in the system. Thus, a "modular" approach to performance analysis will not work. Furthermore, the system designer wants to know more than just the average or worst case performance of some system. He wants to know the detailed performance measurements for each component of the system. This amount of detail could never be provided accurately by a mathematical analysis of performance.

An accurate simulation of a system would provide the desired measurements for a particular set of input data. While it might be hard to judge the general performance of a system based on simulations for a few sets of input data, this approach seems to provide a great deal more information than analytic methods.

To avoid confusion between the system to be simulated and the system which performs the simulation, the former will be called the actual system, and the latter will be called the simulation system. Even though the "actual" system might in fact only exist on paper, this seems like a reasonable way to distinguish the two. Furthermore, the modules and channels of the actual system will be called the actual modules and actual channels.

Requirements for the Simulation

To provide the type of measurements required to evaluate an implementation of a system, the simulation must accurately model all aspects of the system's operations. This includes modelling the detailed timing aspects of the system as well as the functional behavior. If only the functional aspects were modelled, the simulation would accurately model some implementation of the system, but most likely not the implementation we are interested in.

An accurate modelling of the system cannot rely on any stochastic methods of simulation, unless the modules themselves behave stochastically. For one thing, like analytic methods, methods of stochastically modelling packet communication architecture systems have not yet been developed. Thus, unless the system is affected by stochastic processes within the modules, a simulation of a system should provide all information about the activities of each module for a given set of initial states (i.e. module programs and initial data), and a particular sequence of input packets presented to each system input port. If the modules behave stochastically, the stochastic processes must be modelled, so that any random variables will be chosen with the same probability in the simulation as they are in the actual system. A single simulation will only model the system's activity for one choice of random variables, but a number of simulations can give an idea of the distribution of the system's performance.

Methods of Simulation

One approach to the simulation of a packet communication architecture system is with a sequential computer system. With this approach, a single

computer would simulate the activities of every module and every communication channel in the system. While this approach would be rather slow, it is not difficult to implement. For every packet on an input port of some module in the system, the simulation keeps a packet descriptor of the form (M, p, v, t) , where

- M = the module number
- p = the input port number
- v = the value contained in the packet
- t = the time at which the packet arrived at the input port.

These packet descriptors are stored as a sequential list called a *time line*, in which the descriptors are ordered by their time values. The simulation looks at the time line and decides which module in the system would fire the soonest. It then simulates the firing of this module by removing the absorbed input packets from the time line, computing the output values and delay time for the module, and then inserting new packet descriptors for each output packet into the time line. Each new packet descriptor contains the module and input port number of the input port which receives the packet, the value of this packet, and the time at which the input port would receive the packet. This process is repeated for the new time line, and so on, until no module in the system is able to fire. As long as the simulation always simulates the earliest firing in the system for a given state of the time line, it can be certain that all input packets which would have been received by this module at firing time are present on the time line. Since a module cannot be affected by new input packets arriving while it is firing, the entire firing of the module can be simulated without looking at other modules in the system. Simulation

languages, such as GRS and Simscript II [13], use a variant of this time line in simulating the activities of a number of concurrent processes on a single computer.

A large fraction of the simulation time will be spent looking at the time line to decide which module would fire earliest. Whereas it is not difficult to determine whether simple modules, such as functional operators, switches, or arbiters are ready to fire and at what time, these computations could take much longer for modules with more complex behavior. Moreover, as the size of the system increases, there will be more modules to check, and more descriptors on the time line. Hence, the time spent on overhead in the simulation can, in the worst case, increase as the square of the system size: there will be a linear increase in the total number of firings to be simulated, and for each firing a linear increase in the time required to decide which module would fire earliest. The time spent to actually simulate the activities of the modules, on the other hand, will increase only linearly with the system size. As the size of the system is increased, the proportion of simulation time spent on overhead will increase.

An alternative to simulation on a sequential computer is to simulate the system on a computer system consisting of a number of interconnected simulation processors, such as the Packet Architecture Simulation Facility of Leung, et al [14], shown in Figure 1.2. In this facility microprocessors serve as simulation processors. Each simulation processor simulates one or, for a large system, several of the modules in the system. The processors send packets to

one another, just as the modules in the actual system would. The packets are sent over a communication network, which provides connections among all pairs of simulation processors. During a simulation, however, a processor would send packets to another processor only if the first is simulating a module which can send packets to a module being simulated by the second. The communication network is provided to allow the simulation of any system configuration. In addition, a host computer can load programs into the modules, initiate the simulation, and monitor its progress.

.....

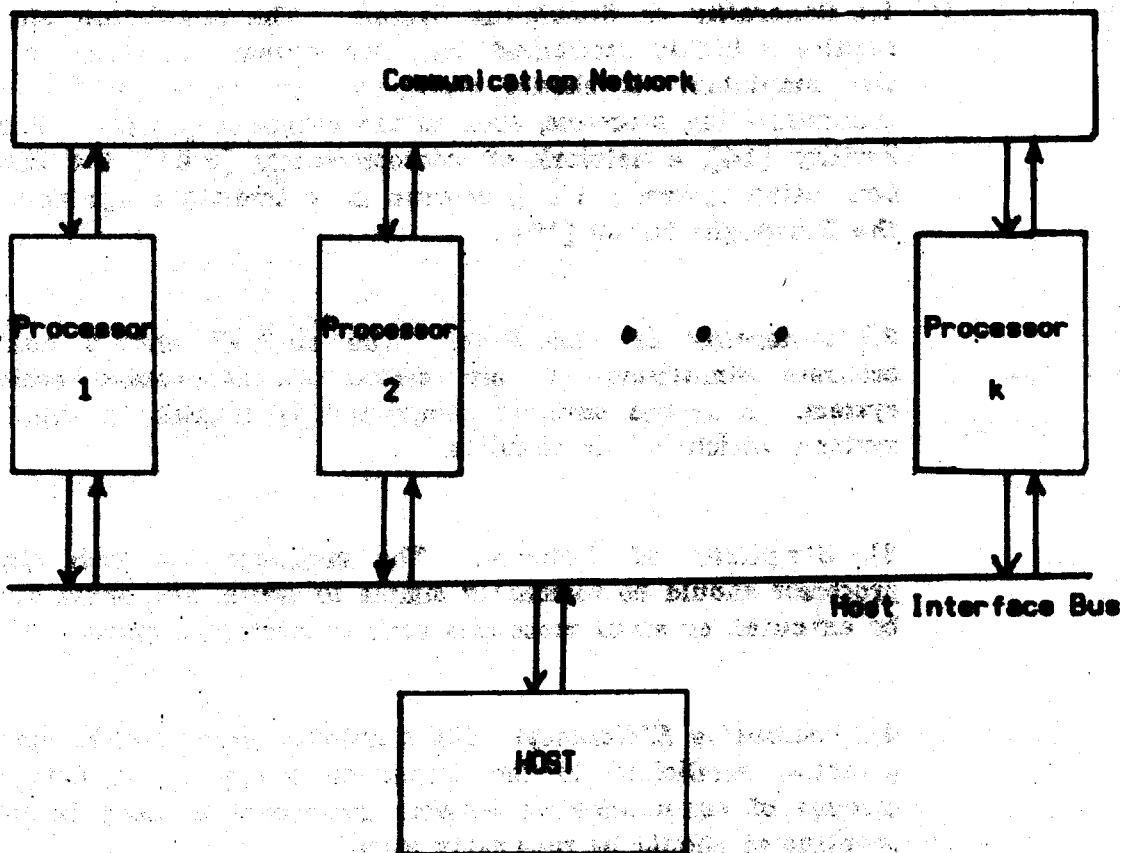


Figure 1.2 - Structure of Simulation Facility

.....

This approach seems very natural, since the structure of the simulation is

much like that of the system being simulated. It should also be faster, since the simulation processes can operate in parallel. Hopefully, the amount of overhead will not be too great, either, so that a large fraction of processor time can be spent simulating the activities of the modules.

Purpose of Thesis

In this thesis, methods of simulating packet communication architecture systems on a distributed computer system will be developed. The design goals for these simulation methods include:

1.) **Generality of Simulating System.** The simulation should not require a highly specialized computer system on which to perform the simulation. It should work on any system which supports communicating processes, such as the Packet Architecture Simulation Facility [14], a network of microprocessors [1,11], the Distributed Computing System [11,13], or even more traditional systems such as the Burroughs B5700 [16].

2.) **Generality of Simulation.** The methods should enable the accurate simulation of any packet communication architecture system. A system designer should not be limited in the types of systems which he can simulate.

3.) **Simplicity of Software.** The programs for each simulation process should be reasonably simple to write, and short enough to be executed by small processors such as microprocessors.

4.) **Reasonable Efficiency.** The simulation should make use of the potential parallelism in the simulation system. Furthermore, the amount of communication between processes to keep their efforts coordinated should be reasonably small.

One way to satisfy the first goal would be for the simulation itself to have the properties of a packet communication architecture system. First, the simulation

processors should act autonomously, with no central control. This will simplify the computer system required to perform the simulation by removing the need for a highly specialized, high speed central controller. Of course, passive monitoring might be allowed to observe the simulation activities. Second, all communication between simulation processors should be in the form of packets. As a result, the processors will have a uniform form of input-output. Perhaps most importantly, the simulation will be time-independent. That is, the accuracy and correctness of the simulation will not depend on the speed of the simulation processors or the communication network. This will eliminate any real time constraints on the simulation hardware and software, which will greatly simplify the design. This will also enable the simulation to be performed on any computer system which supports communicating processes. The simulation of each component of a system could be handled by a different process. Several of these processes could be assigned to one processor, which could execute them without any time constraints.

While the simulation might be faster on a highly specialized simulation facility equipped with a high speed controller or processors designed for real time applications, the amount of time and money required to construct such a facility would be justified only if a very large number of simulations were to be performed.

The problem then becomes developing simulation methods based on packet communication architecture principles, which will satisfy the other three goals: generality, simplicity of software, and reasonable efficiency. One means of

simplifying the task of software design is to take a modular approach to the design of simulation programs. The simulation program for a module must not only simulate the activities of the module, it must also communicate with other module programs to keep the simulation activities coordinated. Thus, the specifications for each simulation program will include not only specifications of the module to be simulated, but also specifications of the coordination activities. To keep the design modular, the coordination activities must be simple and uniform enough to be easily and accurately specified. Moreover, these coordination activities must be both general and reasonably efficient. The major task of this thesis is to develop coordination methods which fulfill the requirements of simplicity, generality, and efficiency for a simulation which is itself a packet communication architecture system.

Outline of Thesis

In Chapter 2 methods of simulating the components of a packet communication architecture system, i.e. the modules and communication channels, will be discussed. First, rules of operation for packet communication architecture modules will be presented. Then, methods of simulating both the functional and timing aspects of the module will be developed. The emphasis will be on specifying what a correct simulation of a module would do, rather than on the more difficult problem of translating these requirements into actual programs. The problem of producing programs which will accurately simulate a module, based on some specification of the module, is left as an area for further research.

In Chapter 3 the ideas developed in Chapter 2 will be extended to allow the simulation of entire systems. As will be seen, if the simulation processors are simply loaded with programs which simulate the activities of the system components, the simulation might not accurately model the system but instead reach a deadlocked state. Besides simulating the activities of the modules, the simulation processors must communicate with each other to keep their efforts coordinated. The main purpose of this chapter is to develop methods of incorporating the coordination activities into the simulation processor programs. In this chapter a proof will be described which shows that the simulation will accurately model the actual system. The full proof is contained in Appendix 1. This proof demonstrates the benefits of the modular approach to the design of the simulation. First, the important requirements for the modules in the system and for the simulation programs of these modules will be specified. Second, it will be proved that the simulation and coordination methods of Chapters 2 and 3 satisfy these requirements. Finally, it will be proved that any simulation which satisfies the requirements will accurately model the actual system.

In Chapter 4 methods of terminating the coordination activities, once the modules in the system have ceased activity will be presented. Without this termination, the simulation might run indefinitely, even though no module activities are being simulated. The last part of the chapter describes a proof of the correctness of the termination operations. The full proof is contained in Appendix 2. First, it is proved that these operations will not terminate the simulation too soon or in any other way interfere with the simulation

operations. Hence, the requirements for the correctness of simulation proof will still apply. Then, it will be proved that the simulation will eventually terminate, if the actual system would terminate under the same circumstances.

In Chapter 5, the coordination methods of Chapter 3 will be further refined to increase the efficiency of the simulation. The coordination methods of Chapter 3 are designed to be very simple and uniform over all modules. As a result, the amount of coordination information passed between processors is high, and the complexity of the processor activities can be unnecessarily restricted. In some cases, the processor program for a module can be modified slightly to take advantage of specific properties of the module. Two examples of such modifications are presented. These two modifications will not increase the complexity or modularity of the simulation programs significantly but can greatly increase the efficiency of the simulation. Moreover, these modifications will not cause the simulation programs to violate any of the requirements for the correctness proof of Appendix 1 to apply. This further demonstrates the benefits of a modular approach to correctness proofs.

Finally, Chapter 6 contains conclusions, suggestions for other applications, and suggestions for further research. Some of the other applications include simulation of other types of systems, and application of the coordination and termination methods to other forms of distributed computation.

By working within the concepts of packet communication architecture, this thesis develops simulation techniques which fulfill the four design goals:

simplicity of hardware, generality, simplicity of software, and reasonable efficiency. Moreover, these techniques are provably correct. This is particularly comforting considering the subtle nature of parallel, asynchronous computations, which can often have unexpected deadlocks, races, nontermination problems, or other malfunctions.

For any computation which is designed to be executed by a parallel, asynchronous system such as a packet communication architecture system, a proof of correctness is essential. The traditional approach of implementing an initial version of a system and then debugging it will not work for computations which must be time-independent. Even if the computation is tested on a large number of test cases, one cannot be certain that it will be correct for all cases. A slight change in the timing of one part of the computation might lead to a deadlock, critical race, or other malfunction. Even in trying to prove the correctness, one can easily overlook some of the subtleties of the computation. However, by carefully developing a formal mathematical description of the computation and then proving that a computation which fulfills this description will operate correctly, these subtleties can be uncovered.

Chapter 2

Simulating the Components of a Packet Communication Architecture System

Introduction

Each processor in the simulation must simulate the operations of one or more of the modules or communication channels in the actual system. This includes simulating the timing details of the module as well as the module's data operations. If the simulation is to itself be a packet communication architecture system, there can be no timing constraints on the simulation processors or on the communication links between processors. Hence, a method of simulating the timing must be developed which is independent of the speed of simulation.

Module Operation

Before methods of simulating modules can be developed, the behavior which will be expected of these modules must be presented. In the interest of generality, these rules will be as unrestrictive as possible. As a result, some forms of behavior are allowed which are not quite in keeping with the philosophies of packet communication architecture design. However, as mentioned before, the designer of a system should not be restricted in the types of systems he can simulate. Furthermore, these allowances do not cause any added difficulties for the simulation.

At any time, a module is in one of two modes: the wait mode or the firing

mode. While in the wait mode, the module cannot produce any output packets. Once the necessary conditions for firing are met, the module fires, meaning that it absorbs some of the input packets from its input ports, performs computations, and some time later sends packets from its output ports. Then it changes its internal state and reenters the wait mode. In general, an input port can be a buffer which can hold a number of packets simultaneously. A packet remains at an input port until it is absorbed by the module. An output port, on the other hand, is more like a door through which output packets pass.

The module must make the following decisions: when to fire, which input packets to absorb, what computations to perform, the values of the output packets and the times at which they are sent, and the new state of the module.

These decisions can depend on the following factors:

- 1.) The values of all packets at the input ports.
- 2.) The time at which each of the input packets arrived.
- 3.) The current time.
- 4.) The current state of the module.
- 5.) Stochastic processes within the module.

However, while a module is in the firing mode, it cannot be affected by input packets which have arrived since the module entered the firing mode.

These rules of operation allow for modules whose behavior depends heavily on time: the current time of the module, and the time at which each input packet arrives. While this does not fit in well with the philosophy of

time-independent design, it will not cause any particular difficulties for the simulation.

A packet communication architecture module has only three forms of input information:

- 1.) The initial state S_0 of the module.
- 2.) The values of the packets received at each input port.
- 3.) The time at which each input packet arrived.

Similarly, it produces only three types of output information:

- 1.) The final state S_f of the module.
- 2.) The values of the output packets sent from each output port.
- 3.) The time at which each output packet is sent.

The output information produced by a module can depend only on the input information and the stochastic processes within the module. If the module contains no stochastic processes, then the simulation of the module should produce the correct output information based on the input information. If the module contains stochastic processes, then the simulation should produce the correct output information based on the input information and one set of choices for the random variables. Furthermore, the stochastic processes should be simulated in such a way that the values of the random variables are chosen with the same probability in the simulation as they would be in the actual module.

Module History

The input and output information received and sent by a module while it is operating can be formally described in terms of histories. The history of a single port is a sequence of ordered pairs:

$$h = (x_1, t_1), (x_2, t_2), \dots, (x_j, t_j), \dots,$$

where x_j is the data value contained in the j th data packet arriving at or being sent from the port, and t_j is the time at which it is received or sent. Since packets are sent or received one at a time, we have $t_j > t_{j-1}$, for all $j \geq 1$. We also require $t_1 > 0$. This implies that no output port can produce a packet at time 0. This restriction is part of the finite delay restriction which will be discussed in Chapter 3. Furthermore, no input port can receive a packet at time 0. Any packets present at an input port initially are considered part of the module's initial state, and not part of the input port's history.

While similar in idea, this definition of history differs from the definitions used by Petil [16] and Kahn [12] in their work with determinate systems. Their histories are sequences of data values only and contain no time values. Histories without time values were useful for them, since determinate systems have time-independent behavior. For simulation purposes, however, the simulation of the timing is as important as the simulation of the data operations. Moreover, the time values are part of the input and output information of the module. Hence, the time values are an important part of the history.

Since an infinite number of data packets could eventually pass through a

port, a history can be an infinite sequence. However, for any physical system, there must be some minimum separation time δ between any two packets. Hence, no more than t/δ packets can pass through the port before time t . This implies that a history must be a countable sequence.

The history of an input port i_1 is denoted hi_1 , and the history of an output port o_1 is denoted ho_1 . The input history of a module M with input ports i_1, i_2, \dots, i_n is the n -tuple of the histories of the input ports:

$$HI = \langle hi_1, hi_2, \dots, hi_n \rangle$$

Similarly the output history of a module M with output ports o_1, o_2, \dots, o_m is an m -tuple:

$$HO = \langle ho_1, ho_2, \dots, ho_m \rangle$$

Just as the histories of the input ports to a module can be combined together, the histories of the system input ports (those input ports which receive packets from an external source rather than from other modules in the system) can be combined into a system input history:

$$I = \langle hi_1, hi_2, \dots, hi_p \rangle$$

where i_1, i_2, \dots, i_p are the system input ports. Similarly, the histories of the system output ports can be combined into a system output history:

$$O = \langle ho_1, ho_2, \dots, ho_q \rangle$$

where o_1, o_2, \dots, o_q are the system output ports.

It will be useful to define the relation "is an initial segment of" between two histories. Thus, a history h_1 is a proper initial segment of a history h_2 ,

denoted $h_1 \subset h_2$, if

$$h_1 = (x_1, t_1), (x_2, t_2), \dots, (x_j, t_j),$$

and either

$$h_2 = (x_1, t_1), (x_2, t_2), \dots, (x_j, t_j), (x_{j+1}, t_{j+1}), \dots, (x_m, t_m),$$

or

$$h_2 = (x_1, t_1), (x_2, t_2), \dots, (x_j, t_j), (x_{j+1}, t_{j+1}), \dots .$$

Then h_1 is an initial segment of h_2 , denoted $h_1 \subseteq h_2$, if $h_1 \subset h_2$ or $h_1 = h_2$.

These relations can be extended to module input and module output histories as follows:

If

$$HI = \langle hi_1, hi_2, \dots, hi_n \rangle$$

$$HI' = \langle hi'_1, hi'_2, \dots, hi'_n \rangle$$

then $HI \subseteq HI'$ if and only if:

$$hi_j \subseteq hi'_j, \text{ for all } 1 \leq j \leq n.$$

The definitions for module output, system input, and system output histories are similar. Similarly, we can define the relation \subset over module and system histories.

A final notation is to define the history up to some time t . For a single port, $h(t)$ is a history, h' , where h' contains all elements in h with time values $\leq t$. Hence $h(t) \subseteq h$. This idea can be extended to module histories, as well:

$$HI(t) = \langle hi_1(t), hi_2(t), \dots, hi_n(t) \rangle .$$

Thus $HI(t) \subseteq HI = HI(\infty)$.

Using the notion of histories, the operation of a packet communication architecture module can be stated precisely. If the module contains no stochastic processes, then the output history HO and the final state S_f are functions of the input history HI and the initial state S_0 . For modules containing stochastic processes, HO and S_f are functions of HI , S_0 , and the values of the random variables.

Note that a module which computes a function over histories as they are defined here may not compute a function over the histories defined by Patil [18] and Kahn [12]. Since our histories include time values, modules such as arbiters and time clocks compute functions over these histories, whereas they are not functional over histories without time values.

Channel Operation

In a packet communication architecture system, a communication channel serves only to convey the output packets from an output port of one module to an input port of another module. Furthermore, the channel preserves the ordering of packets. Packets will be received at the input port in the same order in which they sent from the output port. A channel's operations can be stated formally in terms of histories. If output port o_j of module M_1 is connected to input port i_r of module M_2 , and o_j has output history

$$ho_j = (x_1, t_1), (x_2, t_2), \dots, (x_j, t_j), \dots,$$

then i_r will have an input history

$$hi_r = (x_1, t'_1), (x_2, t'_2), \dots, (x_j, t'_j), \dots$$

Due to the order preservation, $t'_j > t'_{j-1}$. Furthermore, since values cannot be

received "before" they are sent, $t'_j \geq t_j$.

While a communication channel cannot change the values of data packets or their ordering, it can introduce a delay between the time at which they are sent and the time at which they are received. This delay must be simulated, since it will affect the input history of the module to which it is connected. The communication channel can be simulated by one of several means. First, we can simply ignore the delay and consider $hi_j = ho_j$. This would be appropriate in cases where the delay time of the channel is much smaller than the delay time of the modules. For example, if the modules are close together and directly wired to one another, the channel delay time will be very small. Second, we can simulate a module and the channels connected to its output ports as a single unit. Conceptually we can view this as extending the boundaries of a module M to include its output channels, as shown in Figure 2.1. The output ports of this extended module M' are wired directly to the input ports of other modules. This solution is appropriate if the channels connected to a module operate independently of other channels in the system, such as channels which are implemented as FIFO buffer units. Finally, the most general approach would be to simulate the channels as if they were packet communication architecture modules. This approach would be required if the channels do not operate independently of one another. For example, if packets are sent from one module to another over a network, such as the ARPA network [15], the delay time could depend on the total number of packets being sent over the network. In this case we would simulate the ARPA network as a

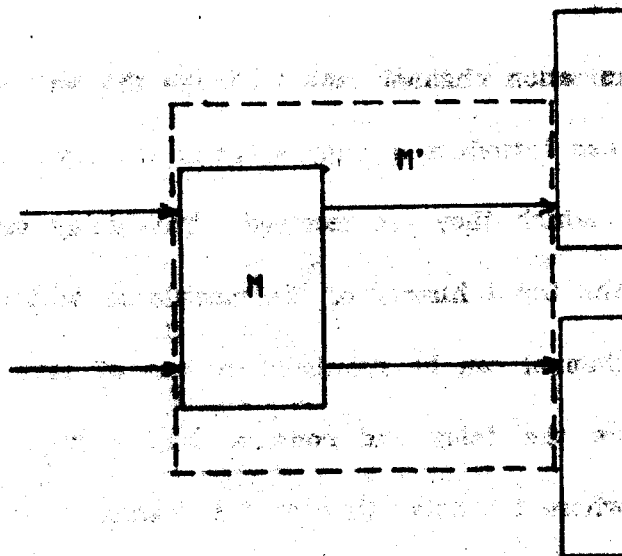


Figure 2.1 - Extending State Boundary to Include Its Output Channels.

.....
packet communication architecture module.

For the remainder of this thesis, it will be assumed that the system to be simulated consists of a number of modules which are interconnected by zero-delay channels. Some of these channels, however, might actually be extended modules or communication channels which are to be simulated. Thus, if output port a_j of one module is connected to input port i_k of another module, then $h_{a_j} = h_{i_k}$.

Time Independent Simulation of a Module

The idea of a history leads quite naturally to a means of representing time in the simulation. The time at which a packet is sent from an output port can be considered part of its value, rather than an implicit property. Thus, the value of a packet is a pair (x,t) , where x is its data value, and t is its time value. By explicitly providing this time information in each packet, a

simulation processor can simulate the operation of a module without any real-time constraints.

For example, suppose we wish to simulate a DIVIDE module as shown in Figure 2.2. If the simulation processor receives the packets, $(x,10)$ and $(y,20)$, on its input ports, then it will simulate the firing of the module at time 20, and, since the delay time of the module is 5, produce output packets $(x \bmod y, 25)$ and $(x/y, 25)$. The simulation is not required to operate at a particular speed, since the actual time at which the output packets are sent during the simulation is not important.

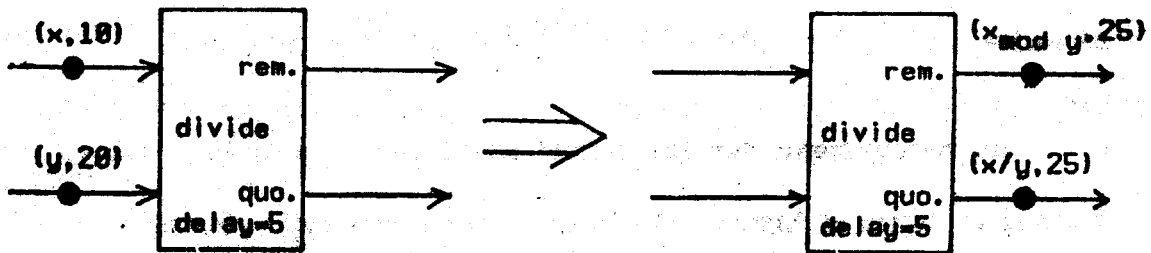


Figure 2.2 - Example of Simulation Module Operation.

With this means of simulating the timing, the output of the simulation of a module is the entire output history of the actual module. This can be described formally by defining *simulation histories*. For any port in the simulation, the simulation history is the sequence of packets passing through the port:

$$hs = (x_1, t_1), (x_2, t_2), \dots, (x_j, t_j), \dots$$

where $0 < t_1 < t_2 < \dots < t_j < \dots$. If the simulation correctly simulates a port, then $hs = h$, where h is the history of the corresponding port in the actual system.

Simulation histories can be defined for modules, too. The *input simulation history* of a module is an n -tuple

$$HSI = \langle hsi_1, hsi_2, \dots, hsi_n \rangle,$$

and the *output simulation history* is an m -tuple

$$HSO = \langle hso_1, hso_2, \dots, hso_m \rangle.$$

The system input simulation history SI and the system output simulation history SO are defined in a similar fashion. Furthermore, the relations E and C are defined over simulation histories in the same manner as they are over actual histories.

The requirements for the correct simulation of a module can be precisely defined in terms of histories for modules with non-stochastic behavior:

Suppose an actual module produces an output history HO and finishes in a final state S_f when it is started in some initial state S_0 and receives an input history HI . Then the simulation of this module must produce a simulation history HSO , such that $HSO = HO$, and it must finish in S_f when it is started in state S_0 , presented with a simulation history $HSI = HI$ and then notified that no more input packets will be received.

The requirement that the simulation be notified when the last packet has been received is needed to prevent the simulation from hanging up, waiting for packets which will never arrive. This will be discussed later in this chapter.

Without any constraints on the times at which input packets arrive at the

input ports of the modules in the simulation, there is no guarantee that the relative orderings of packets on different input ports will be preserved. This can lead to a problem of premature firing, in which the firing of a module at some time t_{fire} is simulated before all input packets with time $\leq t_{fire}$ have arrived. For example, if an arbiter in the simulation receives a packet $(x, 18)$ on one input port, it might simulate the firing at time $t_{fire} = 18$, and (assuming it has a delay time of 2) send the packet $(x, 12)$ from its output port. Suppose now, though, that a packet $(y, 5)$ is received on its other input port. The arbiter has fired prematurely and the simulation cannot proceed properly.

To prevent this problem of premature firing, the firing of a module at time t_{fire} must not be simulated until the entire input stimulation history $HSI(t_{fire})$ has been received. The only way the simulation can know it has received $hsi_{i_k}(t_{fire})$ on input port i_k is if it receives a packet with time value $\geq t_{fire}$ on that input port. Thus if the simulation stores the time value of the most recently received packet on each input port i_k , denoted $t_{last_{i_k}}$, then the firing of a module at time t_{fire} can be simulated if $t_{fire} \leq \min_{1 \leq k \leq n} (t_{last_{i_k}})$.

The simulation of a module proceeds as follows:

- 1.) Determine whether the module can fire at some time $t_{fire} \leq \min_{1 \leq k \leq n} (t_{last_{i_k}})$ based on the data and time values of those packets at the input ports with time values $\leq t_{fire}$, the current state of the module S_n , and the outcome of simulations of any stochastic processes.
- 2.) If the module can fire, then simulate the firing of the module as follows:
 - a.) Remove the proper input packets from each input port.

Only packets with time value $\leq t_{fire}$ can be removed.

b). Calculate the output data values and the output times. These calculations can depend only on input packets with time values $\leq t_{fire}$. Furthermore, all output times must be greater than t_{fire} .

c). Send the output packets from the proper output ports.

d). Calculate the new state S_{n+1} .

3.) Go to step 1.

Assuming the simulation will produce the proper output packets each time it simulates the firing of a module, the output of the simulation will always be an initial segment of the output history of the actual module, that is NSO \subseteq HO. However, due to the requirement that $t_{fire} \leq \frac{H_{in}}{L_{in}}$ (t_{last}), it is possible for the simulation of a module to hang up by waiting for packets which will never arrive. Suppose, for example, that an arbiter in the simulation receives a packet $(x, 10)$ on input port 1 but has received no packets with time greater than 5 on input port 2. Then $t_{last} = 5 < t_{fire} = 10$, hence the firing of the module cannot be simulated. If no more packets are ever received on input port 2, the firing of the module at time 10 will never be simulated, even though the module is enabled. The simulation must be notified somehow, when the last packet has been sent to each input port, so that any remaining input packets can be processed correctly. With this notification, the output of the simulation will be the output history of the actual module, in other words NSO = HO.

Conclusion

By including the simulation time in each data packet, the operation of a module can be properly simulated without any real-time constraints. Although this requires each simulation processor to compute time values as well as data values, it enables us to simulate a wide variety of packet communication architecture systems with complete accuracy.

Chapter 3

Simulation of a System

Introduction

In the previous chapter, methods of simulating the components of a packet communication architecture system were discussed. If, in an attempt to simulate the entire system, these module simulations were connected together, the simulation would most likely deadlock. This deadlock results when the modules in the simulation are waiting for packets from each other, but none can be fired until one of them produces more output packets. Unlike deadlocks which might occur in the actual system, which should be simulated, this form of deadlock, called hanging up, prevents the simulation from fully simulating the activities of the actual system.

For example, the simulation program for the arbiter in Figure 3.1 has received a packet with time 3 on input port 2, but nothing on input port 1. Hence $t_{last_1} = 0 < t_{pre} = 3$, and the firing of the arbiter cannot be simulated. However, no packet will ever be received on the other input port until the other module fires, but this will not happen until the arbiter fires. The simulation has hung up. The actual system would not have deadlocked under these circumstances, though. The arbiter would have fired and sent the packet (y) at time 5 to the other, which would have fired at time 18, and so on. The simulation has ceased operation at an earlier time than the actual system would have. A proper simulation would reach the same state that the actual system would. Additional coordination between the processors is needed to

prevent the simulation from hanging up.

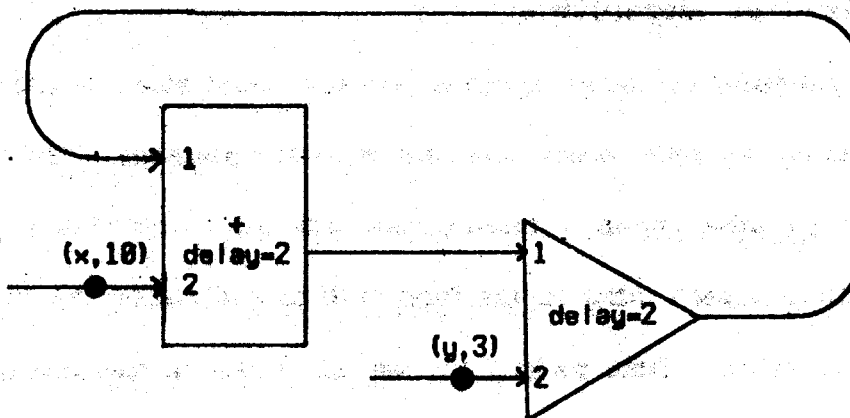


Figure 3.1 - Simulation which has "Hang Up."

In this chapter, a means of providing this coordination will be presented which preserves the principles of packet communication architecture, including: autonomy of modules, communication by packets, and time-independence. One further feature of this coordination method is that all coordination information is sent along the same paths as the data packets are. There is no need for additional communication links between processors.

For each module to be simulated, a simulation processor must perform two types of operations: module activity simulation, and coordination. These operations together comprise the activities of a process called the *simulation module*. If the simulation is itself to be a packet communication architecture system, each simulation module must be a packet communication architecture module. This means that the simulation modules can be viewed as autonomous processes, even if several of these processes are executed by one simulation

processor.

Coordination Algorithm

The simulation hangs up when the simulation modules fail to communicate their status to each other but instead wait passively for other simulation modules to take action. Instead, the simulation modules could send status information to each other in the form of time packets of the form (t) , where t is a time value. These packets are sent along the normal communication links between simulation modules. When a simulation module sends a time packet (t) from an output port, this signifies that no packets with time values less than or equal to t will be sent from this output port in the future.

At any point in the simulation that a module is in the wait mode, if there is no value of t such that $t = \min_{i \in I} (t_{i,j})$ for which the module can fire, then the module cannot possibly fire before or at that time. If the module has a minimum delay time $delay$ between firing and producing the first output packets, then the minimum output time is given by the formula:

$$\begin{aligned} t_{out} &= t_{min} + delay \\ &= \min_{i \in I} (t_{i,j}) + delay. \end{aligned}$$

The simulation module cannot produce more output data packets with time values less than or equal to t_{out} , hence time packets (t_{out}) can be sent from all output ports which have not already produced packets with time values greater than or equal to t_{out} . Furthermore, if the firing of a module at some time t_{fire} is simulated, but no data packets are sent from an output port e_j , then a time packet $(t_{fire} + delay)$ can be sent from e_j , since any future data packets from this

output port will have time values greater than $t_{fire} + delay$.

As long as all time and data packets are sent from each output port of a simulation module with strictly increasing time values, and the communication links between the simulation modules preserve the ordering of the packets, the value of t_{last} for an input port is still the last time value received on that input port, either as part of a data packet or as a time packet. No new packets can be received at an input port with time values less than or equal to t_{last} . If the values of $delay$ are greater than zero for all simulation modules, then as a result of these coordination activities, the simulation modules will send increasingly larger time values to one another, until one of the simulation modules is able to simulate the firing of its module, thereby avoiding deadlocks.

In the example shown in Figure 3.1, the simulation module for the arbiter has received a data packet with time value 3 on input port 2 and has received nothing on input port 1. The arbiter cannot possibly fire before time $t_{min} = \min(t_{last_1}, t_{last_2}) = \min(8, 3) = 3$. Hence it cannot produce any output packets with time value less than or equal to $t_{min} + delay = 3 + 2 = 5$. Therefore it can send a time packet (2) to input port 1 of the adder's simulation module which in turn would update t_{last_1} to 2. The adder cannot possibly fire before time $t_{min} = \min(2, 18)$ and therefore cannot produce any output data packets with time values less than or equal to $t_{min} + delay = 2 + 2 = 4$. Therefore a time packet (4) can be sent back to the arbiter's simulation module which would then set $t_{last_2} = 4$, and, since $t_{fire} = 3 < \min(t_{last_1}, t_{last_2}) = \min(4, 3)$, the firing of the arbiter module would be simulated.

The operation of a simulation module can be stated as follows:

1.) Each time a time or data packet is received on input port i_k , update $tlast_k$.

2.) Determine whether the module can be safely fired. That is, whether the conditions are sufficient for the module to fire at some time $tfire$, where

$$tfire \leq \min_{1 \leq k \leq n} (tlast_k).$$

a.) If the module can be safely fired, then simulate the operation of the module on those input packets with time values $\leq tfire$ and produce the output data packets. For each output port o_j from which data packets are sent, update the value of $tlast-out_j$, which is the time value of the most recently sent output packet from o_j . For each output port o_j for which $tlast-out_j < tfire + delay$, send a time packet $(tfire + delay)$ from o_j and update $tlast-out_j$.

b.) If the module cannot be safely fired then compute $tout$, where

$$tout = tmin + delay,$$

and send a time packet $(tout)$ from each output port o_j for which $tout > tlast-out_j$. Then update the value of $tlast-out_j$ for each of these output ports. The value of $delay$ must be greater than zero but cannot be greater than the minimum time required for the module to produce an output packet after firing.

3.) Return to step 1.

These coordination operations are quite simple, especially since time packets are produced primarily when the simulation module is otherwise inactive. The simulation module must store the value of $tlast_k$ for each input port, and $tlast-out_k$ for each output port. However, no storage for time packets is required, since they are not needed once the values of $tlast_k$ have been updated.

Furthermore, the simulation requires some means of determining when the system input ports have received their final data packets. For instance, in the

example shown in Figure 3.1, the firing of the arbiter at time 3 would be simulated and the packet (y,5) would be sent to the adder's simulation module, as shown in Figure 3.2.

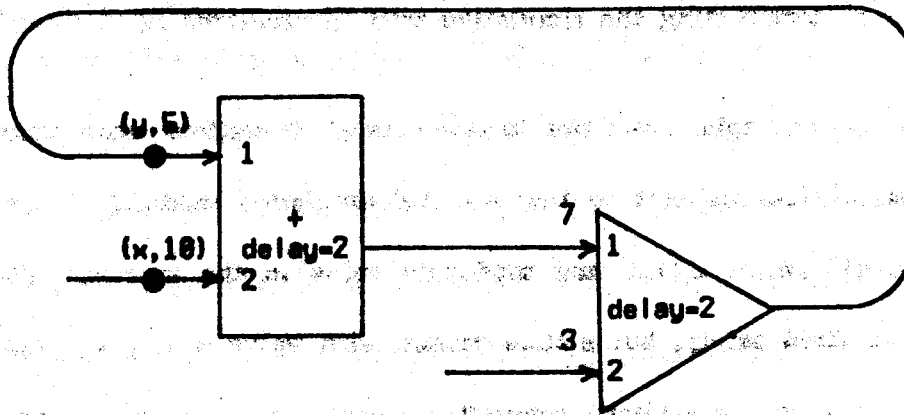


Figure 3.2 - Simulation Requiring Packets on System Input Ports.

The numbers alongside the input ports represent the values of t_{last} for the ports.

Suppose that no more packets are received at input port 2 of the arbiter (this is a system input port.) Then the adder module will be enabled to fire at time $t_{fire} = \max(5, 10) = 10$, but the simulation module cannot simulate this firing, since $t_{last}_2 = 5 < t_{fire} = 10$. Instead, a time packet with value $\min(5, 10) + 2$ will be sent to the arbiter's simulation module. This simulation module will compute $t_{out} = \min(7, 3) + 2 = 5$, hence no time packet will be sent. Once again, the simulation has hung up. The simulation module for the arbiter is still expecting data packets on input port 2, but none will ever arrive. In order for a simulation to complete all operations up to some time t_{final} time packets with value $\geq t_{final}$ must be sent to all system input ports after the last data packets have been sent. If we want to simulate the entire operation of the system,

time packets with value ∞ must be sent to all system input ports, where ∞ is greater than any other time value. This can lead to a nonterminating simulation in which the simulation modules keep sending time packets to one another indefinitely, even though no module will ever be enabled to fire again. A means of terminating the simulation will be presented in Chapter 4.

In our example, we want to complete all operations with time ≤ 18 . If a time packet (18) is sent to the arbiter's simulation module, it would compute $\text{out} = \min(7, 18) + 2 = 9$ and send this value to the adder. The adder still cannot be fired safely, but a time packet with value $\min(9, 18) + 2 = 11$ would be sent back to the arbiter's simulation module which in turn would send back a time packet with value $\min(11, 18) + 2 = 12$. Finally, $\text{time} = 18 \leq \min(\text{last}_1, \text{last}_2) = \min(12, 18)$, and the firing of the adder at time 18 could be simulated.

With the addition of time packets, the simulation histories contain more than just data packets. When comparing simulation histories to actual histories, however, only the data packets are of interest. The function `data` is applied to simulation histories to give the sequence of data packets (including their time values) contained in a simulation history. For example, if

$$hs = (x, 1), (y, 30), (z, 35), (100,$$

then

$$\text{data}(hs) = (x, 1), (y, 30), (z, 35).$$

The function `data` can be applied to module simulation histories and system simulation histories as well.

Features of the Coordination Algorithm

This coordination algorithm preserves the philosophies of packet communication architecture design. All coordination information is passed between simulation modules in the form of time packets. There are no time constraints on the simulation modules, and the simulation modules can operate independently. Furthermore, the coordination operations for each module are very simple. Each simulation module performs identical coordination operations, which allows uniformity in the simulation programs.

One further feature is that a simulation module sends time packets only to those simulation modules to which it also sends data packets, and these time packets are sent over the normal data paths. This not only keeps the number of input and output ports to a simulation module limited, it eliminates the need to synchronize the coordination information with the data information. If, on the other hand, time packets were sent along some other communication links, special measures would be required to prevent a time packet from arriving at an input port before a data packet having an earlier time value does. By sending time packets along the normal communication links, we use the first-in, first-out property of these links to ensure the proper sequencing of time and data packets.

Efficiency of Coordination

This coordination algorithm is rather inefficient in two respects. First, a large number of time packets must be sent to keep the simulation coordinated. In the example of Figures 3.1 and 3.2, a total of seven time packets were

transmitted so that the arbiter and the adder could each fire once. This causes both a delay in the simulation and a heavy load on the communication channels between simulation modules. For larger simulations, the number of time packets would be overwhelming. Second, this method does not allow all possible concurrency in the simulation. For example, the two modules shown in Figure 3.3 could potentially be simulated at the same time. The adder will not fire until time 10 and hence cannot produce a packet with time < 12. Therefore, the firing of the arbiter at time 11 could be simulated at the same time as the firing of the adder. With the coordination algorithm described, however, the simulation module for the arbiter would receive a time packet with value $\min(11, 10) + 2 = 12$ and hence the arbiter would not be simulated until after the adder has been simulated. This lack of concurrency compromises the efficiency of the simulation, since it causes the simulation processes to wait unnecessarily.

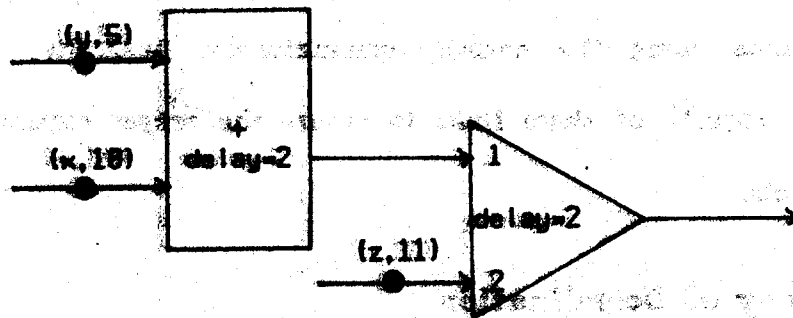


Figure 3.3 - Modules which can be Simulated Concurrently.

This inefficiency could be pointed if more care were made of the specific properties of the modules being simulated. With the coordination algorithm

described only two properties are assumed about the modules to be simulated: they will not produce any output packets while in the wait mode, and for each module there is some minimum delay time *delay* between when it fires and when it produces the first output packets. This, of course, makes the coordination procedures very simple, but it creates the two inefficiencies mentioned above. If, on the other hand, we make use of the fact that an ADD module cannot fire without first receiving data packets on both input ports, then for the example in Figure 3.1, the earliest possible time for it to produce an output packet could be calculated as

$$\begin{aligned} t_{out} &= \max(t_{last_1}, t_{last_2}) + 2 \\ &= \max(8, 18) + 2 = 12. \end{aligned}$$

The time packet (12) could be sent to the arbiter's simulation module which would then fire the arbiter at time 3 and send the packet (9,5) to the adder's simulation module. Furthermore, an ADD module can only absorb one data packet at a time from each input port, hence the firing of the module at time 18 could be simulated even though $t_{last_1} = 5 < t_{fire} = 18$. By making use of these two particular properties of ADD modules, only one time packet would be transmitted in the simulation, as opposed to the original seven.

Of course, there is a trade-off between the complexity of the coordination procedures within each simulation module, and the efficiency of the coordination. In the most extreme case, each simulation module could simulate the entire system internally to determine whether a particular module can be safely fired. This would certainly minimize the amount of coordination

information sent between simulation modules, but it would be overwhelmingly complex. In Chapter 5, several refinements to the proposed coordination method will be described. The emphasis will be on refinements which do not increase the complexity much but do increase the efficiency significantly.

Correctness of the System Simulation

The combination of the module activity simulation and the coordination operations for each module will guarantee that when the simulation modules are interconnected, they will accurately model the activities of the actual system. A proof of this is presented in Appendix 1 and will be described briefly here.

The proof applies only to modules whose output history and final state are functions of the input history and initial state. The module cannot contain any stochastic processes. However, for a particular set of choices of random variables, the output history and final state of a module will always be functions of its initial state and input history, in which case the proof will apply. If the stochastic processes are simulated in such a way that the random variables are chosen with the same probability as they would be in the actual system, the simulation will stochastically model the actual system.

To formally describe the operations of the actual modules and the simulations of these modules, six requirements are specified: three for the actual modules and three for the simulations of these modules.

For the actual modules, the requirements are:

- 1.) **Functionality of Output:** The output history and final state of a

module depends only on the initial state of the module and the input history.

2.) Monotonicity of Output: The output of a module at time t cannot be affected by input received after time t .

3.) Finite Delay: The output of a module at time t cannot be affected by input received at time t . In other words, there must be a finite delay between the receipt of an input packet and the production of an output packet which depends on this input packet.

If a module satisfies all three of these requirements, then the output history of the module up to and including time t is a function of the initial state and the input history up to but not including time t .

These three requirements for the modules to be simulated are not very restrictive. The monotonicity of output requirement simply implies that a module cannot look into the future and predict what input will arrive, nor can it retract or alter any output packets once they have been sent out. The finite delay requirement states that a module cannot react instantaneously to an input packet. This is true for any physically realizable module. The functionality of output requirement implies that the module cannot receive any input information other than the initial state and packets arriving at the input ports. Furthermore, the module cannot contain any stochastic processes, unless we consider the operation of the module for a particular choice of random variables.

For the simulation of each module the requirements are:

1. Correct Module Simulation: The simulation of a module must produce the same data packets with the same time values as the actual module would for the same input conditions. That is, suppose the simulation of a module produces a simulation history MSH when it starts in initial state S_0 and receives an input simulation history MSI where all of the data and time packets arriving at each input port have strictly increasing time

values. Let

$$t_{final} = \min_{1 \leq k \leq n} (t_{last}_k)$$

after the input simulation history HSI has been received. That is, t_{final} is the smallest of all the final time values associated by the input ports of the simulation module. Then

$$data(HSO(t_{final})) = HO(t_{final}),$$

where HO is the output history of the actual module when it starts in the same initial state S_0 and receives the input history HI = data(HSI). Furthermore, if $t_{final} = \infty$ (all input ports of the module receive time packets with value ∞), then the final state S_f of the simulation of the module will be the same as the final state of the actual module.

2.) Correct Ordering of Output Packets: If the packets arriving at each input part of a module in the simulation have strictly increasing time values, then the output packets sent from each output port of the module in the simulation will have strictly increasing time values.

3.) Correct Termination: If a simulation module receives an input simulation history HSI then if $t_{final} = \min_{1 \leq k \leq n} (t_{last}_k)$, eventually a time or data packet with time value greater than t_{final} will be sent from each output port of the simulation module, unless $t_{final} = \infty$, in which case time packets with value ∞ will be sent from all output ports if the corresponding actual module ever terminates.

The first step in the correctness proof is to show that the simulation and coordination operations which have been developed will fulfill the three requirements for the simulation module. Then, it is proved that for any simulation in which the actual module satisfy their three requirements and the simulation module satisfy their three requirements, the simulation will accurately model the actual system. This is stated in the following theorem:

Theorem 1. Correctness of Simulation.

Suppose a simulation has the following properties

- (1.) The modules to be simulated satisfy the connectivity of output, finite delay, and functionality of output requirements.

- 2.) The simulation of each module satisfies the correct module simulation, correct ordering of output packets, and correct coordination requirements.
- 3.) All communication links between simulation modules operate properly, so that if input port i_a is connected to output port e_r , then $hsi_a = hso_r$.
- 4.) The simulation receives a system input simulation history SI, and the sequence of time values received at each system input port is strictly increasing.

Let

$$t_{final} = \min(t_{last_a}, t_{last_b}, \dots, t_{last_z}),$$

after the system input simulation history SI has been received, where i_a, i_b, \dots, i_z are the system input ports. Then the simulation module for any module M_j in the system will produce a similar output simulation history HSO_j , such that

$$\text{data}(HSO_j(t_{final})) = HO_j(t_{final}),$$

where HO_j would be the output history of the corresponding module in the actual system under the following conditions:

- 1.) All modules in the actual system are started in the same initial state as the corresponding simulation modules.
- 2.) The actual system receives the system input history I where $I = \text{data}(SI)$.

Furthermore, if $t_{final} = \infty$, the final state of each simulation module which terminates will equal the final state of the corresponding module in the actual system.

The theorem is proved by induction on the sequence of time values

$$t_0, t_1, t_2, \dots, t_l, \dots,$$

where $t_0 = 0$, and

$$t_0 < t_1 < \dots < t_l < \dots \leq \infty,$$

and each time value $t_l, l > 0$, is contained in some actual or simulation history for the system. That is, t_l is contained in one of the following histories: I, the system input history to the actual system, HO_j , the output history of some

module M_j , SI, the system input simulation history, or HSO $_j$, the output simulation history of some module M_j .

The induction hypothesis is as follows: For any $t_1 \in t_0, t_1, \dots, t_2, \dots$ such that $t_1 \leq t_{final}$,

a.) $data(HSO_j(t_1)) = NO_j(t_1)$, for all modules M_j , and

b.) Either $t_1 = \infty$, or for any output port o_p :

$$hso_p(t_1) \subseteq hso_p$$

In other words, not only will the simulation accurately model the actual system up to and including time t_1 , but in addition the coordination operations will cause each simulation module to send packets with time values greater than t_1 from all of its output ports. Thus, the simulation cannot hang up due to a simulation module waiting for an input packet with time value $\leq t_1$, as long as $t_1 \leq t_{final}$. Therefore, by induction, the simulation will accurately model the actual system up through time t_{final} .

Conclusion

By incorporating some relatively simple coordination operations in the simulation modules, the simulation will accurately model the actual system, while preserving the properties of a packet communication architecture system.

As a result, however, the simulation might fail to terminate even if the actual system terminates, and the simulation will be rather inefficient. These two difficulties will be dealt with in the next two chapters.

Chapter 4

Termination of the Simulation

Introduction

Due to the decentralized and time-independent nature of the simulation and coordination operations, there are conditions for which the actual system will eventually cease all operation, but the simulation will continue indefinitely. The simulation modules can keep sending time packets with increasingly larger time values to each other long after all module activity simulations have been completed.

For example, in system of Figure 4.1 the system input port (input port 2 of the arbiter) has received a time packet with value ω and the simulation module for the switch has produced a data packet $(x, 97)$. As can clearly be seen, all data operations by modules in the system have been completed. The simulation, however, will keep going. The arbiter will send a time packet with value $\min(100, \omega) + 1 = 101$ to the functional operator. This operator will send a time packet with value $101 + 2 = 103$ to the switch, which will send a time packet with value $103 + 1 = 104$ to the next operator. This operator, in turn, will send a time packet with value $104 + 3 = 107$ to the arbiter. Then the arbiter's simulation module will start this cycle over again, even though nothing is really being simulated.

In this chapter, termination operations which can be incorporated in the simulation modules will be developed. These termination operations guarantee

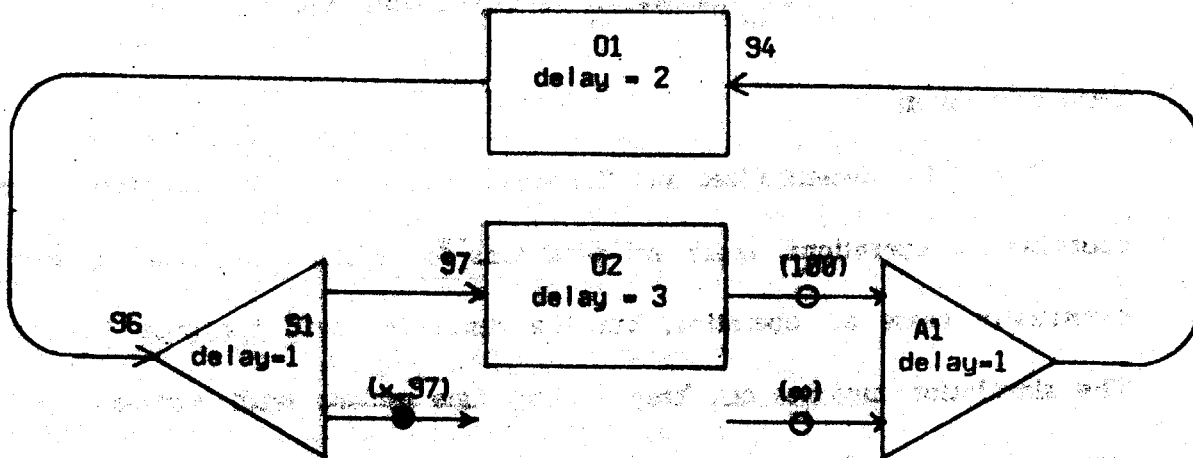


Figure 4.1 - Nonterminating Simulation.

The circles represent time packets, the dots represent data packets, and the numbers alongside input ports represent the values of *time* for the input ports.

.....

that the simulation will eventually terminate if the actual system does, while preserving both the correctness of the simulation and the principles of packet communication architecture. Furthermore, as with the coordination, all control information is sent between simulation modules along the normal data paths. No special hardware is required for termination, only additions to the simulation programs. The last part of this chapter describes a proof of correctness for the termination operations. The full proof is included in Appendix 2.

If there were some means of simultaneously observing all simulation modules and all communication links between them, then it could be determined when the simulation has completed all data operations. The simulation has completed all data operations and can be safely terminated once it reaches a point where all system input ports have received time packets with value ∞ , no modules have sufficient data packets to fire, and there are no data packets in

transit between the simulation modules. This omniscient observer, however, would not be in keeping with the philosophies of packet communication architecture design. For our simulation, the simulation modules must send control information to each other to determine whether the termination conditions are satisfied. Furthermore, these termination operations must be time-independent.

Most of the standard methods of determining whether a system is active, such as time-outs, or waiting for a maximum count on the number of time packets will not work for this simulation. There are, however, special features of packet communication architecture modules which can be taken advantage of.

Connectivity Classes

A module M_2 can only receive input information in the form of packets arriving at its input ports. Hence if there is no path from module M_1 to M_2 , then the activities of M_1 cannot affect those of M_2 . To make use of this idea, the meaning of *path* must be defined more formally. First, a module M_1 "is connected to" a module M_2 denoted $M_1 \rightarrow M_2$, if an output port of module M_1 is connected to an input port of M_2 . There is a *path* from a module M_1 to a module M_2 , denoted $M_1 \rightarrow M_2$, if there exists a sequence

$$M_1, M_a, M_b, \dots, M_z, M_2,$$

such that

$$M_1 \rightarrow M_a \rightarrow M_b \rightarrow \dots \rightarrow M_z \rightarrow M_2.$$

All communication with a module is in the form of data packets travelling along data channels. Hence if there is no path from M_1 to M_2 , then there is no

way for M_1 to send information to M_2 , either directly or indirectly.

The difficulty in terminating the simulation arises when the system contains cycles. A module is contained within a cycle if there is a path from one of its output ports to one of its input ports, that is $M_1 \rightarrow M_2$. For example the system of Figure 4.1 has a cycle $O1 \rightarrow M1 \rightarrow O2 \rightarrow M2 \rightarrow O1$. The simulation modules contained in cycles will not normally terminate - they cannot send time packets (a) until time packets (a) have been received on all input ports, but the simulation modules will not receive these time packets unless they send them out. Instead, the simulation modules will keep sending time packets with values less than ∞ around the cycle indefinitely.

The cycles in the system can be identified by looking at the equivalence classes formed by the relation \leftrightarrow where $M_1 \leftrightarrow M_2$ if and only if either $M_1 = M_2$ (they are the same module), or $M_1 \rightarrow M_2$ and $M_2 \rightarrow M_1$. This relation is indeed an equivalence relation [17]. It is reflexive, symmetric, and transitive. Hence it defines a set of equivalence classes which are called connectivity classes and are denoted C_1, C_2, \dots, C_r . For any connectivity class containing more than one module, any two modules in the class must have paths to each other. That is, if $M_1, M_2 \in C_j$, then

$$M_1 \rightarrow M_2 \text{ and } M_2 \rightarrow M_1.$$

An example of a system divided into its connectivity classes is shown in Figure 4.2.

The relation \leftrightarrow can be extended to connectivity classes. $C_i \leftrightarrow C_j$ if and

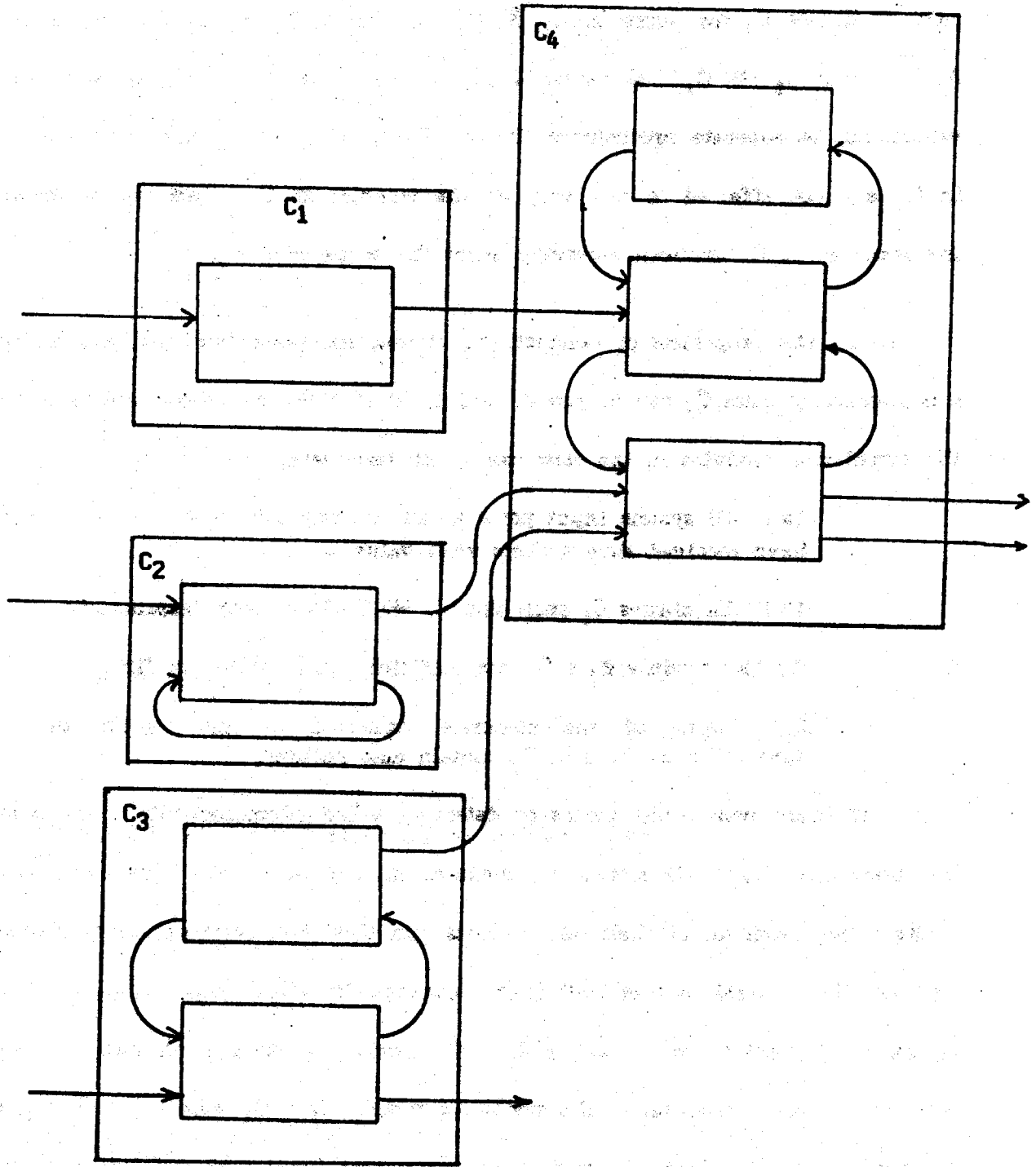


Figure 4.2 - System Divided into Connectivity Classes.

only if $M_i \rightarrow M_j$ for every $M_i \in C_i, M_j \in C_j$. In fact if $M_i \rightarrow M_j$ for any $M_i \in C_i, M_j \in C_j$, then $C_i \rightarrow C_j$. Moreover, if $C_i \rightarrow C_j$, then $C_j \rightarrow C_i$, or else they would not be separate equivalence classes. Thus, if $C_i \rightarrow C_j$, then the modules in C_i are not affected in any way by the modules in C_j . We can terminate the modules in C_i without worrying about the modules in C_j .

Using the properties of connectivity classes, the conditions for terminating a connectivity class C_j can be stated. When all of these conditions are satisfied, the simulation modules in the class can safely terminate.

- 1a.) All system input parts which are input parts to modules in C_j have received time packets with value ∞ .
- 1b.) All classes C_i such that $C_i \rightarrow C_j$ have been terminated.
- 2.) No module $M_j \in C_j$ has sufficient data packets to fire.
- 3.) None of the channels connected to input parts of the simulation modules in C_j contain data packets.

If there were some means of detecting when a connectivity class could be terminated, then all simulation modules in the class could send out time packets (∞) from all of their output parts. In this case, termination conditions 1a.) and 1b.) would be identical, from a connectivity class point of view. That is, an input part i_k to a module $M_j \in C_j$ receives packets from one of three sources: a source external to the system, a module $M_i \in C_i$ where $C_i \rightarrow C_j$, or a module $M_l \in C_j$. In the first case, i_k is a system input part and hence would receive a time packet with value ∞ . In the second case, the input part i_k would receive a time packet with value ∞ once the connectivity class C_i has been terminated. Conditions 1a.) and 1b.) can therefore be restated as:

1.) Time packets with value ∞ have been received on all those input ports of modules in the class C_j which are not connected to output ports of other modules in the class.

No special communication other than time packets is needed between connectivity classes or with the external world for termination. All that is needed to terminate the simulation of a system is some means of detecting when the modules in each class can be terminated.

If a class C_j contains only a single module M_j , then this module either is not contained in any cycle in the system, i.e. $M_j \nrightarrow M_j$, or it is part of a self-loop, in which there is a channel connecting an output port of the module to an input port of the module, so that $M_j \rightarrow M_j$. In the first case, the normal coordination operations of the simulation module are sufficient for termination. Since no input ports to the module are connected to output ports of modules in the class, time packets with value ∞ will eventually be received on all input ports of the module. The firing of the module at any time $t \geq \infty$ will then be simulated. Then, since $t_{out} = \infty$, time packets (∞) will be sent from all output ports, and the simulation processor can terminate the simulation of this module. Thus, no special termination procedures are required for modules which are not part of a cycle in the system.

For modules which are part of a self-loop and for connectivity classes with more than one module, however, the normal coordination operations are not sufficient for terminating the module simulations. For example, the modules in Figure 4.1 are all in the same connectivity class and therefore would not terminate. Those input ports which are connected to output ports of

modules in the class will never receive data packets with value ∞ without special termination procedures.

Termination Algorithm for Connectivity Classes Containing Cycles

A means of incorporating termination operations into the simulation module for each module in a connectivity class C_j will now be given. This termination algorithm requires no change in the topology of the system. There is no need to add more modules or communication links to the system. Unlike the coordination operations, the termination operations are not identical for each simulation module. First, one of the modules in the class is designated as the termination control module, denoted T , for the class. Any of the modules in the class can be chosen for this role. The simulation module for this module must initiate and maintain the test for completion of all operations by the modules in the class. Next, for each module in the class other than T , one of the output parts of the module must be selected as the signal output port of the module. These signal output parts must be selected in such a way that if we look only at the modules in the class, there is a path from every module to T following only channels connected to the signal output ports of the modules. Finally, for each module in the class, we must determine which input and output parts are connected to output and input parts of other modules in the class. The set of all input parts of M_i which receive packets from modules in the class is denoted $in_{class, i}$. Similarly, the set of output parts of M_i which send packets to other modules in the class is denoted $out_{class, i}$.

The termination operations for the simulation module of the termination control module T are as follows:

1.) Perform normal simulation and coordination activities until every input port which is not in $from_class_T$ has received a time packet with value ∞ .

2.) When there is no way for the module to fire without receiving more data packets, send *test* packets (*test.+*) from all output ports in to_class_T .

3.) Wait until K test packets have been received on the input ports, where

$$K = 1 + \sum_{M_i \in C_j} (|to_class_i| - 1).$$

In this equation, $|to_class_i|$, is the number of output ports of module M_i which are connected to input ports of other modules in the class.

4.) If any data or time packets are received while waiting for the test packets, continue with the simulation and coordination operations for the module.

5.) Determine the validity of the test as follows:

a.) If all K test packets have value *test.+*, and no data packets were received while waiting for the test packets, then send time packets (∞) from *all* output ports of the module.

b.) If at least one of the returning test packets has value *test.-* or a data packet was received while waiting for the test packets, then send packets (*reset*) from all output ports in to_class_T , wait for K (*reset*) packets to return, and go to step 1.

6.) Once time packets (∞) have been received on all input ports of the simulation module, terminate the simulation of the module.

For every other module M_j in the class, the termination operations for the simulation module are as follows:

1.) Perform normal simulation and coordination operations until a

test packet is received on some input port.

2.) When the first test packet is received, continue simulating the module until all input ports which are in (from class, have received their packets with values, and the data packets present at the input ports are not sufficient, fire. Then, if the test packet has value test+, and no data packets have been received, send (test+) packets from all output ports in to class, and (test-) packets from all output ports in to class.

3.) If the module sends any more data packets, then continue the simulation and continuation operations before.

4.) Any time another test packet arrives, if the packet has value test+, and no data packets have been received since the previous test packet was sent, then send a (test+) packet on the signal output port. Otherwise send a (test-) packet on the signal output port.

5.) When the first (test) packet is received on an input port, send a (test+) packet from each output port in to class, and prepare for a new test. If any other test packets are received before the next test, send data from the signal output port. When new test packets arrive, return to step 2.

6.) When a time packet (t) is received on any input port in from class, send packets to all output ports, unless this has already been done.

7.) Once time packets with value t have been received on all input ports to the module, terminate the simulation of the module.

During the course of a test, unless some simulation module can never be terminated, a test packet will travel through every communication link between the simulation modules in the class. Every simulation module will receive at least one test packet. Initially, I sends out |to class| test packets. On receipt of its first test packet, a simulation module M_i will send out |to class| test packets, thereby "creating" |to class| - 1 new test packets. Thereafter, it will simply pass a test packet from an input port to an output

port. Hence, a total of K test packets will be created. The values of these test packets will be test, only if no form of data activity is found anywhere in the class. Because of the way in which the signal output ports are chosen, all K test packets will be funneled back to T which can then check the test results.

Features of the Termination Operations

This termination algorithm preserves most of the desirable properties of the coordination algorithm. In particular, the simulation modules still fulfill the requirements for a packet communication architecture system. Although one module in each class is denoted as a termination control module, its only function is to initiate and collect information about each test. This module has no ability to monitor other modules or exercise any active control. Hence, the simulation modules are still autonomous. Furthermore, all communication is by packets, and the operations do not depend on any timing restrictions.

As with the coordination algorithm, all termination control information is sent over the normal data channels. This avoids the problem of monitoring the communication links between simulation modules. Instead, the first-in, first-out property of these links ensures that no data packets will be overlooked while they are travelling between simulation modules. No special hardware is required for termination operations, only additions to the simulation modules.

One undesirable feature of these termination operations is their dependence on the overall structure of the system to be simulated. Whereas the simulation

and coordination operations of a module depend only on the module itself, the termination operations depend on how the module is incorporated in the system. This complicates the modularity of the design somewhat. However, the termination operations of a module can be fully determined based on a very limited amount of knowledge about the system, namely how modules in the system are interconnectural. No details about the operations of other modules in the system are required. Thus, while the incorporation of the termination operations into the simulation modules will decrease the modularity of design, this decrease will be rather small.

Efficiency of the Termination Operations

The termination operations for the modules in a connectivity class are designed to be both simple and efficient. That is, they will not increase the complexity of the simulation modules greatly, nor will the speed of the simulation be decreased greatly. The efficiency is a result of several important features. First, the simulation and coordination operations need not be interrupted while the termination operations are taking place. Thus, if a test is initiated while modules in the class are still active, the simulation can keep going, although at a slightly decreased speed. Second, the operations are designed to keep the number of tests initiated reasonably low. The first test can be initiated as soon as the termination control module has received packets (a) on all input ports which are not in focus class. However, all K returning test packets will not be received until all modules in the class have received packets (a) on all of their input ports which receive packets from outside the

class, and all modules at some time have ceased data operations. Thus the second test cannot be initiated until the first termination requirement for the class is satisfied. Each successive test cannot be initiated until the previous one has completed. This not only simplifies the termination operations, it limits the frequency with which tests can be initiated.

Correctness of the Termination Operations

The addition of the termination operations to the simulation modules will not interfere with the simulation of the system, but they will cause the simulation to terminate if the actual system does. This is stated in the following theorem.

Theorem 2. Correctness of Termination

a.) Suppose a simulation is performed in which the modules to be simulated obey the three requirements: functionality of output, monotonicity of output, and finite delay, and the simulation and coordination operations of each simulation module obey the three requirements: correct module simulation, correct ordering of output packets, and correct coordination, and furthermore the coordination operations of a simulation module cannot cause time packets (∞) to be sent out by the simulation module unless

$$\min_{1 \leq i \leq n} (t_{last_i}) = \infty.$$

Then the addition of termination operations to the simulation modules as described in Chapter 3 will not cause any of these requirements to be violated.

b.) If the actual system ever reaches a state in which no modules in the system will ever enter the firing mode unless more packets are received on the system input ports, then every simulation module in the simulation of this system will eventually produce time packets with value ∞ on all output ports, if all system input ports in the simulation receive time packets with value ∞ .

The proof of this theorem is included in Appendix 2 and will be described here briefly. The termination operations for different connectivity classes are

separate, hence we need only prove that the operations are correct for each class. Moreover, since the termination operations are designed not to interfere with the normal simulation and coordination operations, the only possible adverse effect of the termination operations is to terminate the simulation too soon. Thus, proving the first part of the theorem involves proving that the simulation modules in a class will not terminate until a test of the class succeeds, and that a test will succeed only if the termination conditions for the class are satisfied. In other words, if the termination control module T sends out (test.+) packets, then all K returning test packets will have value test.+ only if the termination conditions are satisfied. Proving that a test of a class will not overtake some simulation module which is not yet ready to terminate constitutes the most difficult part of the entire proof of correctness.

To prove the second part of the theorem, it must first be shown that a test of the class and a subsequent reset will eventually be completed, unless the termination conditions for the class are never satisfied. In other words, any time the termination control module sends out test or reset packets, it will eventually receive K test or reset packets, unless some simulation module M_i never receives a time packet (a) on some input port which is not in from_class_i, or some actual module runs indefinitely. Thus, once the termination conditions for the class are satisfied, any previous test or reset operations will be completed, and a new test will be initiated. Furthermore, the reset operations must cause all modules in the class to receive at least one (reset) packet before the new test packets are received. Finally, it must be

shown that a test will succeed, once the termination conditions are satisfied.

Conclusion

The relatively simple coordination operations of Chapter 3, which are designed to keep the simulation from deadlocking, created a much more difficult problem of terminating the simulation. The solution of this problem requires both compromising the modularity of design of the simulation modules to some degree and also adding termination operations which are more complex than the original coordination operations. This lack of modularity and greater complexity makes the correctness of the termination operations more difficult to prove than the correctness of the simulation and coordination operations.

However, the termination operations do satisfy the design goals for the simulation. The simulation remains a packet communication architecture system in which all communication is in the form of packets, the simulation modules are autonomous, and the design is time-independent. Furthermore, while the termination operations are more complex than the coordination operations, their implementation should not be particularly difficult, and they are efficient enough to have little effect on the speed of the simulation.

Chapter 5

Improving the Efficiency of the Simulation

Introduction

The coordination algorithm of Chapter 3 is rather primitive in that the coordination operations of a simulation module make little use of the properties of the actual module, other than its minimal delay time delay. This leads to a simulation which requires a great deal of coordination information to be passed between simulation modules and which unnecessarily restricts the concurrency of the simulation.

Any modification to the coordination methods must preserve their desirable properties. The coordination operations should be simple enough to be easily incorporated in the simulation program for a module. The simulation should still be a packet communication architecture system, hence there should be no centralization of control or timing operations on the simulation modules or the communication links between them. Finally, the design should be modular - the coordination operations for a module should depend only on that module and not on the structure of the rest of the system.

In this chapter, two methods which can increase the efficiency under some conditions will be presented. These two particular modifications were chosen, because they are easy to implement and apply to many packet communication architecture systems. It will be shown that with either of these two modifications, the Correctness of Simulation Theorem, described in Chapter 3,

will still apply.

Modules which Compute Monotone Functions

Many of the packet communication architecture modules which have been designed to date compute *monotone functions* over their histories. That is, if the module produces an output history HO_1 when given the input history HI_1 , and an output history HO_2 when started in the same initial state and presented with an input history HI_2 , where

$$HI_1 \subseteq HI_2,$$

then

$$HO_1 \subseteq HO_2.$$

Modules which compute monotone functions over their histories are characterized by the property that the decision about which input packets are absorbed from each input port and used in a particular firing is independent of the arrival times of any input packets.

In particular, any *determinate* module computes a monotone function, where a determinate module [12,18] is a module for which the sequences of output packets sent from the output ports depend only on the sequences of input packets arriving at the input ports, and not on their arrival times. For example, the functional operator and switch modules of Chapter 1 are determinate modules.

One would expect many packet communication architecture modules to be determinate, since they embody the ultimate form of time-independent operation.

For example, all of the data flow actors of Dennis [5] have determinate behavior, so by the Closure Theorem of Determinate Systems of Petri [18], any module which implements a data flow program must be determinate. One important module which does not compute a monotone function over histories and therefore is not determinate is the earliest output. The order in which packets are selected and subsequently sent out depends on the relative arrival times of the packets on each input port.

Other modules are nondeterminate, but do compute a monotone function over histories. For example, a system clock module which, when it receives a packet of the form $(request, time)$, sends out a packet containing the time at which the request packet arrived, computes a monotone function over histories, but its output values depend on the times at which the input values were received.

Simulation of Modules which Compute Monotone Functions

If a module computes a monotone function, then it can be safely fired in the simulation as soon as the necessary data packets have arrived at the input ports. There is no need to make sure that $t \leq \min_{i \in I} (time_i)$. Thus, the simulation module can use any of the input data packets, and not just those with time values less than or equal to $\min_{i \in I} (time_i)$.

For example, if the simulation module for an ADD module has received a packet $(x, 10)$ on input port 1, and a packet $(y, 20)$ on input port 2, then there is no need to wait until a packet with time ≥ 20 has been received on input

port 1. Instead, the firing of the module at time 28 can be simulated right away, since any data packet received on input port 1 would not affect this firing.

As long as this revised firing rule does not cause any of the three requirements for the simulation module to be violated: correct module simulation, correct ordering of output packets, and correct coordination, the Correctness of Simulation Theorem presented in Appendix 1 will still hold. To show that this modification will not violate the correct module simulation requirement, suppose at some time a simulation module for a module which computes a monotone function has received an input history HSI' , where $HSI' \subseteq HSI$, the input simulation history which will ultimately be received. Then if all possible firings of the module on the data packets are simulated, and an output simulation history HSO' is produced, the effect of these activities will be to simulate the operation of the actual module as if it had received an input history HI' , where

$$HI' = \text{data}(HSI').$$

We know that

$$HI' \subseteq HI,$$

where $HI = \text{data}(HSI)$. Hence, since the module computes a monotone function,

$$HO' \subseteq HO,$$

where HO' is the actual module's output history in response to HI' , and HO is the actual module's response to HI , when started in the same initial state. In simulating the actual module's operations on the history HI' , a simulation

history HSB has been produced where

detected) - HSB E 10.

The revised firing rules will not cause the module to fire prematurely. Thus, the first requirement, cannot produce simulation, will not be violated. Furthermore, this modification will not affect the rules for producing time packets. Thus, the other two requirements will still be valid, correct ordering of output packets and correct coordination. The Consistency of Simulation Theorem still applies.

This modification will improve the efficiency of the simulation by increasing the concurrency of module simulations. There is no need for a module which computes a nonzero function to wait for time or data packets when sufficient data packets are already present. Furthermore, it actually simplifies coordination operations, since there is no longer any need to determine whether a module can be safely fired.

Strengthening the Calculation of the Minimum Output Time

In the coordination algorithm of Chapter 3, sec. the earliest possible time at which the simulation could send out a data packet, is calculated as

$$t_{out} = \min_i \{ t_{in_i} + t_{delay_i} \}$$

where t_{in_i} is the time value of the last packet received on input port i . In other words, it was assumed that the firing of a module might be simulated as soon as any packet arrives on minimum input port i , provided it has the lowest value of t_{in_i} . In many cases, however, the module would not be enabled to fire, even if such a packet were received. For example, if the simulation

module for an ADD module has not received any data packets, and $tlast_1 = 100$, and $tlast_2 = 10$, then the firing of the module for any time less than or equal to 100 will never be simulated, even if a packet with time value 11 is received on input port 2. The coordination operations are overly cautious. They assume only something which is true for any module - if there are not sufficient packets for the module to fire, then the module cannot fire before the arrival of the next packet. If the coordination operations could take advantage of the firing requirements for a module, then it could often calculate values of $tout$ which are higher than those obtained by the method of Chapter 3.

Any change in the method of calculating $tout$, will inevitably be more complex than the calculation

$$tout = \min_{1 \leq i \leq n} (tlast_i) + delay.$$

Hence, the strength of the calculation, that is the closeness to the maximum possible value, must be balanced with the simplicity of the calculation. The following method of calculating $tout$ represents a particular compromise between strength and simplicity. It is very simple yet seems to be reasonably strong for many modules.

Expressing the Firing Requirements

First, a method of specifying under what conditions a module might fire is required. For any module, a boolean-valued function F can be given which takes as arguments the values of p_j , $1 \leq j \leq n$, where p_j is the number of packets present at input port i_j . If

$$F(p_1, p_2, \dots, p_n) = \underline{true}.$$

then the module might fire when f_j packets are present at each input port i_j . If the value of the function is false, however, then regardless of the internal state of the module, the time, or any stochastic processes within the module, if each input port i_j contains exactly f_j input packets for all j , 1, 2, ..., and the module is in the wait mode, then the module cannot possibly enter the firing mode. Thus, as long as the value of the function is false, the module cannot produce any packets until those packets are received.

For example, an AND module has a function

$$F_{AND}(f_1, f_2) = (f_1 \wedge f_2).$$

It cannot fire unless each of the input ports contains at least one packet.

The arbiter has a function

$$F_{OR}(f_1, f_2) = (f_1 \vee f_2).$$

It can fire if there is a packet on either input port. As a final example, if the behavior of the module is totally unpredictable, a function

$$F_{true}(f_1, f_2, \dots, f_n) = true$$

can always be used. This will apply even for modules which can sometimes fire without receiving any packets, since there are no conditions for which the value of the function is false, but the module can fire.

An equation for F can be derived for a simulation module, if the equation for F of the corresponding actual module is expressed in the following

form:

$$F(p_1, p_2, \dots, p_n) =$$

$$\begin{aligned} & [(p_1 \geq c_{11}) \wedge (p_2 \geq c_{21}) \wedge \dots \wedge (p_n \geq c_{n1})] \\ \vee & [(p_1 \geq c_{12}) \wedge (p_2 \geq c_{22}) \wedge \dots \wedge (p_n \geq c_{n2})] \\ & \vdots \\ \vee & [(p_1 \geq c_{1q}) \wedge (p_2 \geq c_{2q}) \wedge \dots \wedge (p_n \geq c_{nq})], \end{aligned}$$

in which each c_{kj} is some constant greater than or equal to zero. This form of the equation is called the *sum of products form*. Note that if $c_{kj} = 0$, then the predicate $(p_k \geq c_{kj})$ must have value true, thus these factors can be omitted from the equation. Equations with all factors of the form $(p_k \geq 0)$ removed are in *reduced sum of products form*. In the preceding examples, the functions F_{and} , F_{or} , and F_{true} are expressed in reduced sum of products form.

Many functions cannot be expressed in this sum of products form. In fact, only those functions for which

$$F(p_1, p_2, \dots, p_n) = \text{true}$$

implies that for any values, $k_1, k_2, \dots, k_n \geq 0$,

$$F(p_1+k_1, p_2+k_2, \dots, p_n+k_n) = \text{true},$$

can be expressed in this form. However, for any function F we can always find a "weaker" function F' , such that if

$$F(p_1, p_2, \dots, p_n) = \text{true}$$

then

$$F'(p_1, p_2, \dots, p_n) = \text{true},$$

and an equation for F' can be expressed in sum of products form.

A sum of products equation for F can be translated into an equation for

test as follows:

$$test = \max_{1 \leq i \leq n} (\min_{1 \leq j \leq p_i} (t_{ij})) + delay - c$$

where

- t_{ij} - the earliest possible time value of the i th packet on input port i_2
- the time value of the i th packet on i_2 , if $i \leq p_2$, or
- $last_2$, if $i > p_2$.

$delay$ - the minimum delay time of the module, and

c = any number greater than zero.

The second term of the equation

$$\min_{1 \leq j \leq p_i} (\max_{1 \leq k \leq p_j} (t_{jk})) + delay - c$$

represents the calculation of the minimum output time based on the function F.

As will be proved shortly, for any value r such that

$$r < r_0 = \min_{1 \leq j \leq n} (\max_{1 \leq k \leq p_j} (t_{jk})),$$

if p_2 is the number of packets of input port i_2 with time values less than or equal to r , then

$$F(p_1, p_2, \dots, p_n) = false.$$

Hence, the module cannot possibly fire again before time r_0 , and no data packets with time values less than or equal to $r_0 + delay$ can be produced by the simulation module. Since all packets in the simulation must be sent from each output port in strictly increasing order, the term t is required for test to be strictly less than the time value of the next data packet.

If the calculation of test were based only on the function F, it might be overly cautious. It is possible for the function F to have value true even when the module cannot possibly fire. In this case, a calculation of the minimum output time based on the equation for F would give a value which is too low.

Even if the function F has value true at some point in the simulation, if the data packets with time values less than or equal to $\min_{1 \leq k \leq n} (t_{last_k})$ are not sufficient for the module to fire, then no data packets can be produced with time values less than or equal to $\min_{1 \leq k \leq n} (t_{last_k}) + delay$. Thus, the calculation of t_{out} must take the maximum of the two predictions of the minimum output time - that based on the function F , and that based on the values of t_{last_k} .

For example, for the ADD module the equation is

$$t_{out} = \text{MAX} [\min(t_{last_1}, t_{last_2}) + delay ; \max(t_{11}, t_{21}) + delay - \epsilon]$$

For the arbiter, the equation is

$$\begin{aligned} t_{out} &= \text{MAX} [\min(t_{last_1}, t_{last_2}) + delay ; \min(t_{11}, t_{21}) + delay - \epsilon] \\ &= \min(t_{last_1}, t_{last_2}) + delay. \end{aligned}$$

This equation degenerates to the original equation for t_{out} . Finally, for the function F_{true} the equation is

$$\begin{aligned} t_{out} &= \text{MAX} [\min_{1 \leq k \leq n} (t_{last_k}) + delay ; B + delay - \epsilon] \\ &= \min_{1 \leq k \leq n} (t_{last_k}) + delay. \end{aligned}$$

This equation also degenerates to the original equation for t_{out} .

Correctness of the Calculation

this modified method of calculating t_{out} will not cause the simulation to violate any of the three requirements: correct module simulation, correct ordering of output packets, or correct coordination. Hence, the Correctness of Simulation Theorem given in Appendix 2 will still apply. Clearly the correct module simulation requirement will still hold, since this modification will not affect the data packets produced by the module in the simulation.

As for the correct ordering of output packets requirement, a time packet will not be sent out from output port e_j with time value less than or equal to $t_{last-out_j}$, since this is checked for by the simulation module. The only danger is that a time packet with value t_{out} might be sent out, and later a data packet with time less than or equal to t_{out} is sent out. The original proof shows this cannot happen for $t_{out} = \min_{1 \leq k \leq n} (t_{last_k} + delay)$, hence the problem can only occur if

$$t_{out} = \min_{1 \leq k \leq n} (t_{last_k} + delay) - \epsilon.$$

The claim, however, is that for any value t' such that

$$t' < t_0 = \min_{1 \leq k \leq n} (t_{last_k} + delay),$$

if p'_k is the number of packets on input port i_k with time values less than or equal to t' , then

$$F(p'_1, p'_2, \dots, p'_n) = \text{false}.$$

Hence the module cannot fire again in the simulation at any time, $t' < t_0$. To

show this, look at any $i_{k_c_j}$ for which

$$t_{k_c_j} = \min_{1 \leq k \leq n} (t_{last_k} + delay).$$

By our assumption about t' , and from the equation for t_0

$$t' < t_0 \leq t_{k_c_j},$$

and $t_{k_c_j}$ by definition is the earliest possible time value of the c_{k_j} th data packet on input port i_k . Thus, $p'_k < c_{k_j}$, which implies that the predicate

$$(p'_k \geq c_{k_j}) = \text{false}, \text{ for any } j, 1 \leq j \leq n.$$

This means that for any j , the product term

$$(p'_1 \geq c_{1j}) \wedge (p'_2 \geq c_{2j}) \wedge \dots \wedge (p'_n \geq c_{nj}) = \text{false}.$$

Therefore, F , which is the sum of these product terms must have value false.

No firing of the module before time

$$t_0 = \min_{1 \leq k \leq n} (\max_{1 \leq i \leq m} (t_{ki})),$$

can be simulated, hence no data packets can be produced with time values $\leq t_0 + \text{delay}$ can be produced. If

$$\text{test} = t_0 + \text{delay} \leq \epsilon,$$

and $\epsilon > 0$, the correct ordering of output packets requirement will not be violated.

Finally, the correct coordination requirement will not be violated, since

$$\text{test} \geq \min_{1 \leq k \leq n} (\text{last}_k) + \text{delay} > \min_{1 \leq k \leq n} (\text{last}_k),$$

unless $\min_{1 \leq k \leq n} (\text{last}_k) = \infty$. Thus, the Correctness of Simulation Theorem of

Appendix 1 will still hold for this revised calculation of test.

Compatibility with the Termination Operations

One difficulty caused by this revised calculation of test is that the calculation might cause a simulation module to produce time packets with value ∞ before time packets with value ∞ have arrived on all input ports. This could interfere with the termination operations for the connectivity class. If some other simulation module receives one of these time packets, it will assume that the most recent test succeeded and will send out time packets (∞) from all output ports, which might not be valid.

One way to prevent this problem would be to require that no simulation module send out (∞) packets, until all input ports have received (∞) packets. Instead, when $\text{test} = \infty$, it would send out time packets (t) where t is some

"large" number. This seems rather awkward, but it will prevent the t_{out} calculations from interfering with the termination operations.

Features of the Calculation

This calculation of the minimum output time uses information which is already available to the simulation module, namely the time values of each data packet at the input ports and the values of t_{last} . No attempt is made to predict the time value of the i th packet if $p_i < 1$, except that it is greater than t_{last} . This avoids passing more coordination information between simulation modules, or requiring knowledge of the timing details of the other simulation modules.

This calculation of t_{out} is reasonably simple, in fact hardly more complex than the original calculation. One reason for this simplicity is that it ignores much of the information which is available to the simulation module. For example, the data values of the input packets are not considered, nor is the state or time of the module. Under some circumstances this will lead to a weaker calculation of t_{out} than might be possible. If the conditions under which a particular module can fire depend heavily on these factors, it would be worthwhile to take these factors into account when calculating t_{out} .

This method of calculating t_{out} will increase the efficiency of the simulation in two ways. First, it will decrease the number of time packets sent between simulation modules. Not only will the difference between successive time values tend to be greater, the need to send time values around

loops a number of times just to fire a module once can be reduced. For example, suppose the module M_1 of Figure 5.1 obeys the function

$$F(p_1, p_2) = (p_1 \geq 1) \wedge (p_2 \geq 1).$$

Using the original method of calculating *tout*, $tout = \min(10, 100) + 2 = 12$. Thus a time packet (12) would be sent to M_2 , which would send back a time packet (13) and so on, until after M_2 has sent 30 time packets, it would finally receive the packet (100) and the firing at time 100 could be simulated. If instead we use the calculation

$$tout = \text{MAX}[\min(10, 100) + 2; \max(10, 100) + 2 - 0.001] = 101.999,$$

the time packet (101.999) could be sent to M_2 , which would send back (102.999), and the firing of the module could be simulated. Thus, the reduction in the number of packets sent during the simulation can be very large.

.....

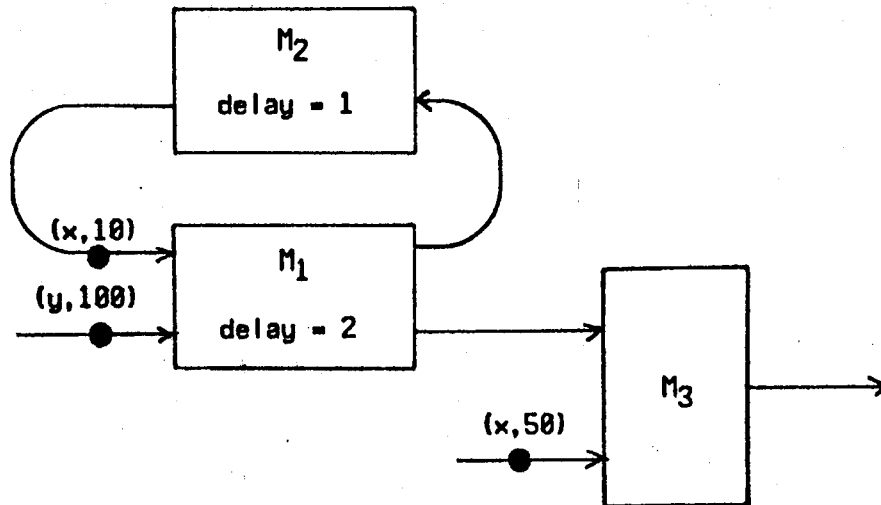


Figure 5.1 - System which can be Simulated More Efficiently with Stronger *tout* Calculations.

The second improvement in the efficiency comes in the form of increased concurrency of the simulation. In the previous example, M_1 would not need to wait for time packets to cycle through the loop 30 times before firing. Furthermore, if there were some module M_2 connected to output port o_2 of M_1 which is waiting for a time packet with time greater than or equal to 50 from M_1 , it would receive this packet much sooner. By reducing the time spent sending and waiting for time packets, the simulation modules can spend a proportionately larger amount of time simulating the data operations of the modules. This would increase the concurrency of the module simulations.

Conclusion

These two modifications were chosen, because they can be easily implemented and make use of properties which are expected to be common in packet communication architecture systems. Other modifications could improve the efficiency of the simulation in other cases without compromising the desirable properties of the original method.

Chapter 8

Conclusion

Insights and Afterthoughts

As has been demonstrated here, it is indeed possible for the simulation of a packet communication architecture system to itself fulfill the design philosophies of packet communication architecture. The modularity and time-independence of the simulation allows it to be performed by virtually any computer system which supports intercommunicating processes. Furthermore, the operations which must be performed for each module in the system are reasonably simple and therefore can be executed by small processors such as microprocessors.

The methods which have been developed here are very general as well. Few restrictions are placed on either the characteristics of the modules in the system or on how these modules are interconnected. Moreover, the methods are provably correct, which is an important feature for any asynchronous, parallel computation, due to the numerous and often subtle difficulties which are encountered in the design of such systems.

The coordination and termination operations are simple enough to use only a small fraction of the simulation module's processing time. However, it is difficult to estimate what fraction of the processing time will be spent waiting for the necessary time or data packets. This will depend a great deal on the structure of the simulation facility and on the system to be simulated. Thus, it

is difficult to estimate the efficiency of the simulation, that is what fraction of the processing time will be spent simulating the activities of the modules. However, considering the low efficiency of a simulation on a sequential computer system, the efficiency of the parallel simulation seems quite reasonable by comparison.

Perhaps the fundamental philosophy which is expressed in this work is that a certain amount of overhead, that is computation whose only purpose is to maintain proper operation of the system, is needed for all but a limited class of computer systems. This fact was accepted long ago by designers of traditional computer systems. For example, many of the functions performed by an operating system are overhead. Such operations as memory paging and resource scheduling are incidental to the execution of a user's program. Similarly, the coordination and termination operations of the simulation modules are incidental to the simulation of the activities of the actual system. In a distributed computation, the increase in the system load caused by the overhead operations appears in two forms: as added computations for the components of the system, and as special control information sent between the components.

These overhead operations are acceptable if they are kept to a minimum and are designed in such a way that they both preserve the design goals of the system and remain invisible to the user of the system. For example, the amount of overhead in the simulation is reasonably small, the principles of packet communication architecture are preserved, and the overhead operations are invisible to people performing simulations.

The design of overhead computations for parallel systems is still in a rather primitive state. Other parallel computer systems, such as Illiac IV [3], are structured in such a way that the amount of overhead operations is minimized. These systems contain central controllers which tightly control the operations of the components, thereby avoiding the need for the processors to communicate their status with one another. Because of the rigid control structure, however, it is difficult for the user to program such a system to run efficiently. These systems are suitable only for applications in which the structure of the algorithm closely matches the structure of the system.

Packet communication architecture systems, with their decentralized control and time-independent operation are potentially much more flexible and general purpose than other parallel systems. However, along with this increased capability comes a need for the components of the system to keep their activities coordinated properly. The design of overhead operations for these systems requires an approach which is totally different from those used in designing traditional systems. The overhead computations incorporated in each component of the system can utilize only a limited amount of information about the rest of the system. For example, the only information about the status of the rest of the system available to the coordination and termination operations of each simulation module is in the form of time and test packets received at the input ports. Overhead operations which can be "modularized" in this fashion seem rather foreign, partly because they have no locus of control. Instead, the operations take place in many locations simultaneously.

Furthermore, while one component of the system is performing operations, the state of the rest of the system can be changing. The overhead operations must be designed to operate correctly, despite a continuously changing system state. As a result, one cannot fully understand how the operations work by focusing on one component at a time. The system must be viewed as a whole to see how the operations work. For example, the termination operations performed by each simulation module make little sense when viewed individually, but they fit together into a computation which will detect when the simulation can be terminated.

To date, no general techniques for designing the overhead operations in packet communication architecture systems have been developed. Instead, they have been designed on a case-by-case basis, taking advantage of special properties of the system. For example, the design here takes advantage of the fact that the sole purpose of a simulation is to model the behavior of some other system. If the actual system contains deadlocks or other malfunctions, the simulation should model these deadlocks and malfunctions. The burden of designing a system free of errors is left up to the system designer. In the future, however, general techniques should evolve which make the overhead operations both easier to design and understand.

Suggestions for Further Research

There are two directions in which further research can build upon the work which has been presented here. First, more work is required before packet communication architecture systems can be simulated. In particular, a

means of programming the simulation modules is needed. Ideally, the user of a simulation facility should be able to specify the operations of the components of the actual system in a high-level language, such as the Architecture Description Language of Leung, et al [14]. These specifications would then be translated into programs for the simulation modules by an ADL compiler. The user should not be concerned with the coordination and termination operations, nor with the details of the module activity simulation. Fortunately, the coordination and termination operations are simple and uniform enough that they will not increase the complexity of this translation greatly. The major difficulty is the design of a language which allows the specification of a wide variety of systems in a concise and understandable form, but can be translated into programs for the simulation modules. With the increasing interest in parallel, asynchronous computing systems, a convenient and efficient means of simulating them will be required to determine the best designs.

The other potential direction for further research is to apply some of the techniques and insights which have been developed here to other areas. One direct application would be to the simulation of systems which are not strictly packet communication architecture systems. Some systems which are commonly simulated, such as air traffic control models, have the essential properties of packet communication architecture design. That is, the system can be subdivided into a number of components which operate independently and communicate with each other only in a limited and well-defined manner. For example, an air traffic control model can be subdivided into geographic regions.

The activities within each region occur simultaneously and independently. The only communication is between neighboring regions, and the only way they communicate is by changing the boundary conditions. The simulation techniques which have been developed here can be applied directly to such systems. This will lead to a highly parallel simulation which can be executed by a relatively simple network of computers. For the air traffic control model, one can envision a "grid" of processors, in which each processor simulates the activities within one geographic region. The simulation of an air traffic control model on a network of processors has been studied in some detail by Thomas and Henderson [12]. In their system, different geographical regions of a hypothetical airspace are simulated on different Arpanet processors. The simulator for one region sends a message to the simulator for an adjacent region when a plane crosses from the first region into the second. To maintain proper time synchronization, one of the simulators maintains a global time clock and broadcasts the simulation time to the other simulators at regular intervals. In their description of the system, the authors note that a distributed approach to time synchronization would be preferable, since this centralized approach tightly binds the simulators to the global clock. It seems that coordination operations along the lines of those presented in Chapter 2 could provide the necessary synchronization. Each simulator would send a time packet to the simulator for each adjacent region indicating the earliest possible simulation time at which a plane could possibly cross from the first region into the next. In this way, the simulation can proceed without any centralized control or real-time constraints on the simulators.

Moving beyond the field of simulation, there are other areas to which these techniques and insights can be applied. The problems of deadlock and nontermination which were dealt with here occur frequently in parallel, asynchronous systems. The concept of adding overhead operations to a system to prevent these problems can be applied to other systems. For example, the author [4] has identified a deadlock which can occur when the data flow language of Weng [23] is extended to include both cycles and nondeterminacy. This deadlock occurs after all computation by the program is completed, but the program fails to recognize that it is able to terminate. This deadlock can be avoided by adding more data flow actors to the program to perform the necessary overhead operations and terminate the program. In fact, these overhead computations are very similar to the termination operations of the simulation modules.

To design the overhead operations for a wider class of parallel, asynchronous systems, however, more general techniques will be required. Ideally, a programmer should be able to specify a program in a high-level language which will then be compiled into a number of separate module programs which include all of the needed overhead operations. These programs could then be loaded into the modules of a packet communication architecture system, and the system would then execute the program in a highly parallel fashion. Translating high-level languages which include such features as data structures and recursive procedure calls into individual module programs will pose many difficulties.

Thus, while the focus of this work was on simulating a particular type of computer system in a particular manner, some of the techniques and concepts which were developed here have much broader areas of application.

Bibliography

- [1] Aho, A. V., J. E. Hopcroft, and J. D. Ullman, The Design and Analysis of Computer Algorithms, Addison-Wesley, Reading, Mass. (1974).
- [2] Anderson, G. A., and E. D. Jensen, "Computer Interconnection Structures: Taxonomy, Characteristics, and Examples", COMMUNICATING SURVEYS, Volume 7, Number 4, (December 1975), pp. 197-212.
- [3] Barnes, G. H., et al, "The Illiac IV Computer," IEEE TRANSACTIONS ON COMPUTERS, C-17, Vol. 8, IEEE, New York (August 1958), pp. 746-757.
- [4] Bryant, R. E., "Nonterminating Stream-Oriented Computations by Cyclic Data Flow Systems," Unpublished paper, Laboratory for Computer Science, MIT, Cambridge, Mass. (December 1975).
- [5] Dennis, J. B., First Version of a Data Flow Procedure Language, Technical Memorandum TM-61, Laboratory for Computer Science, MIT, Cambridge, Mass. (May 1976).
- [6] Dennis, J. B., "Packet Communication Architecture," Proceedings of the 1975 Summer Computer Architecture and Design Conference, IEEE, New York (August 1975), pp. 224-232.
- [7] Dennis, J. B., and D. P. Misunas, "A Computer Architecture for Highly Parallel Signal Processing," Proceedings of the 1974 National Conference. ACM, New York (November, 1974), pp. 402-408.
- [8] Dennis, J. B., and D. P. Misunas, "A Preliminary Architecture for a Basic Data-Flow Processor," Proceedings of the Second Annual Symposium on Computer Architecture, IEEE, New York (January 1976), pp. 129-132.
- [9] Dennis, J. B., D. P. Misunas, and C. K. Leung, A Highly Parallel Processor Using a Data Flow Machine Language, Computation Structures Group Memo 134, Laboratory for Computer Science, MIT, Cambridge, Mass. (January 1977).
- [10] Ellis, D., private communication.
- [11] Farber, D. J., et al, "The Distributed Computing System," Proceedings Seventh Annual IEEE Computer Society International Conference, IEEE, New York (February 1973), pp. 31-34.
- [12] Kahn, G., "A Preliminary Theory for Parallel Programs," Internal Memo, Institut de Rech. d'Informatique et d'Automatique, Rocquencourt, France (1973).
- [13] Kay, I. M., T. M. Kisko, and D. E. Van Houwelingen, "GPSS/Simscrip - The

Dominant Simulation Languages," Proceedings of the Eighth Annual Simulation Symposium, IEEE, New York (1975) pp. 141-154.

[14] Leung, C. K., D. P. Misunas, A. Neczwid, and J. B. Dennis, "A Computer Simulation Facility for Packet Communication Architecture," Proceedings of the Third Annual Symposium on Computer Architecture, IEEE, New York (1975), pp. 58-63.

[15] Metcalfe, R. M., Packet Communication, Technical Report TR-114, Laboratory for Computer Science, MIT, Cambridge, Mass. (December, 1973).

[16] Organick, E. I., Computer System Organization: the B5700, B6700 Series, Academic Press, New York (1973).

[17] Paley, H., and P. M. Weichsel, A First Course in Abstract Algebra, Holt, Rinehart, and Winston, Inc., New York (1966).

[18] Patil, S. S., "Closure Property of Interconnected Systems," Record of the Project MAC Conference on Concurrent Systems and Parallel Computation, ACM, New York (1970), pp. 107-116.

[19] Rowe, L. A., The Distributed Computing Operating System, Technical Report Number 66, Department of Information and Computer Science, University of California at Irvine, Irvine, Calif. (June, 1975).

[20] Rumbaugh, J. E., A Parallel, Asynchronous Computer Architecture for Data Flow Programs, Technical Report TR-150, Laboratory for Computer Science, MIT, Cambridge, Mass. (May 1975).

[21] Swan, R. J., S. H. Fuller, and D. P. Sieworek, "Cm²: A Modular, Multi-Microprocessor," A Collection of Papers on Cm²: A Modular, Multi-Microprocessor, Department of Computer Science, Carnegie-Mellon University, Pittsburgh, PA. (February 1977).

[22] Thomas, R. H., and D. A. Henderson, "McRoss - A Multi-Computer Programming System," 1972 Spring Joint Computer Conference, AFIPS, Montvale, N. J. (1972), pp. 282-293.

[23] Weng, K. S., Stream-Oriented Computations in Recursive Data Flow Schemas, Technical Memo, TM-68, Laboratory for Computer Science, MIT, Cambridge, Mass. (October 1975).

Appendix 1

Correctness of the System Simulation

The following proof shows that the simulation operations of Chapter 2, combined with the coordination operations of Chapter 3 will give a simulation which accurately models the actual system.

Before proceeding with the proof, some additional notation is needed. For an input port i_k of a simulation module, the value of $t_{last, k}$ is the last time value received on that input port. Thus, for an input port simulation history, we can define a function T_{last} where $T_{last}(hsi_k)$ equals the minimum value of t , $0 \leq t < \infty$, such that $hsi_k(t) = hsi_k$. Similarly, for an output port o_r of a module, $t_{last-out, r}$ equals the last time value sent from the port. Thus, a function $T_{last-out}$ can be defined for output port simulation histories, where $T_{last-out}(hso_r)$ equals the minimum value of t , $0 \leq t < \infty$, such that $hso_r(t) = hso_r$.

Finally, for a module input simulation history HSI the function T_{final} is defined as:

$$T_{final}(HSI) = \min_{1 \leq k \leq n} (T_{last}(hsi_k)),$$

where

$$HSI = \langle hsi_1, hsi_2, \dots, hsi_n \rangle.$$

This function can be applied to system input simulation histories as well.

Requirements of the Simulation

The correctness proof will apply to simulations which fulfill the following six conditions. First, there are three conditions on the modules to be simulated:

- 1.) **Functionality of Output:** The output history and final state of a module depend only on the initial state of the module and the input history.
- 2.) **Monotonicity of Output:** The output of a module at time t cannot be affected by input received after time t .
- 3.) **Finite Delay:** The output of a module at time t cannot be affected by input received at time t . In other words, there must be a finite delay between the receipt of an input packet and the production of an output packet which depends on this input packet.

If a module satisfies all three of these requirements, then its output history up to and including time t must be a function of its initial state and its input history up to but not including time t . This can be specified more formally in terms of histories. Suppose for two operations of a module, the module produces an output history HO when it starts in initial state S_0 and receives the input history HI , and it produces an output history HO' when started in the same initial state S_0 and given the input history HI' . Then for any value of t such that

$$HI(t-s) = HI'(t-s), \text{ for all } s < t,$$

the two output histories must be identical through time t , that is

$$HO(t) = HO'(t).$$

The following conditions will be required for each simulation module in the system:

- 1.) **Correct Module Simulation:** The simulation of a module must produce the same values as the actual module would under the same

circumstances. That is, suppose the simulation of a module produces a simulation history HSO when it starts in initial state S_0 and receives input simulation history HSI, where all of the data and time packets arriving at each input port have strictly increasing time values. Let

$$t_{final} = T_{final}(HSI)$$

That is, t_{final} is the smallest of all the final time values received by the input ports of the simulation module. Then

$$data(HSO(t_{final})) = HO(t_{final})$$

where HO is the output history of the actual module when it starts in the same initial state S_0 and receives the input history HI = data(HSI). Furthermore, if $t_{final} = \infty$ (all input ports to the module receive time packets with value ∞), then the final state of the simulation of the module S_f will be the same as the final state of the actual module.

2.) **Correct Ordering of Output Packets:** If the packets arriving at each input port of a module in the simulation have strictly increasing time values, then the output packets sent from each output port of the module in the simulation will have strictly increasing time values.

3.) **Correct Coordination:** Each output port of a module in the simulation will eventually produce a time or data packet with time value greater than the minimum time value of the final packets received at the input ports, or else the output port will produce a time packet (∞). In other words, suppose a module in the simulation receives an input simulation history HSI and produces an output simulation history HSO. Then for any output port e_j of the module either

$$T_{last-out}(hso_{e_j}) > T_{final}(HSI)$$

or

$$T_{last-out}(hso_{e_j}) = \infty$$

The simulation and coordination operations (without the termination operations) presented in Chapters 2 and 3, satisfy all six of these requirements, as long as the modules to be simulated satisfy the first three requirements.

First, the simulation operations developed in Chapter 2 will guarantee that the correct module simulation requirement is satisfied. To see this, suppose at some point in the simulation, a simulation module has received a simulation history HSI' where HSI' \in HSI (the ultimate simulation history which will be received by the simulation module.) Assuming packets arrive at each input port

with strictly increasing time values, then if

$$t_{\text{out}} = T(\text{final}(\text{HSI}')) = \text{time}(\text{last}_2)$$

no new packets with time less than or equal to t_{out} will be received on any input port. By the firing rules for the simulation, the firing of the module at time t_{fire} cannot be simulated, unless $t_{\text{fire}} \leq t_{\text{out}}$. Thus, when the firing of the module at time t_{fire} is simulated the simulation history $\text{HSI}(t_{\text{fire}})$ has been received. Assuming the simulation correctly simulates the firing of the module, the proper output packets will be produced. Furthermore, since the simulation module has received the entire input simulation history HSI with

$$t_{\text{final}} = T(\text{final}(\text{HSI})),$$

the firing of the module for all values of $t_{\text{fire}} \leq t_{\text{final}}$ will be simulated. Hence, all output packets with time values less than or equal to t_{final} will be produced in response to this input simulation history, thereby guaranteeing that

$$\text{outs}(\text{HSO}(\text{state})) = \text{HO}(t_{\text{final}}).$$

Thus the simulation will satisfy the correct module simulation requirement.

The second requirement, correct ordering of output packets, is met as long as the input packets to the simulation module are correctly ordered. That is, if an output port o_j of the simulation module first produces a packet p_1 and then a packet p_2 then t_1 , the time value in p_1 , must be less than t_2 , the time value in p_2 . To show this, four cases must be considered:

1. p_1 and p_2 are both time packets.

Then p_2 would be sent out only if $t_2 > \text{last-out}_j = t_1$.

2. p_1 is a data packet and p_2 is a time packet.

As in case 1, p_2 would be sent only if $t_2 > \text{last-out}_j = t_1$.

3. p_1 and p_2 are both data packets.

Assuming the simulation module satisfies the correct module simulation requirement, data packets will always be produced in the proper order.

4. p_1 is a time packet and p_2 is a data packet.

p_1 was produced with a time value $t_1 = t_{in} + delay$ only if the module could not possibly fire before or at time t_{in} . The actual module always has a delay time greater than or equal to $delay$ between firing and producing output packets, hence the simulation module could not send out a data packet p_2 with time $t_2 \leq t_1$ from the output port after p_1 has been sent.

For each of these four cases, the simulation will satisfy the correct ordering of output packets requirements.

The coordination operations also satisfy the correct coordination requirement. If the simulation module receives an input simulation history HSI with

$$t_{final} = T_{final}(HSI),$$

then after all output data packets have been produced, it will send out time packets with value

$$t_{out} = t_{final} + delay,$$

from all output ports for which $t_{out} > t_{last-out}_j$. Since $delay$ is greater than zero, either $t_{out} > t_{final}$, or $t_{out} = t_{final} = \infty$. Hence, after the last time and data packets have been sent from each output port e_j , either

$$t_{last-out}_j \geq t_{out} = t_{final},$$

or

$$t_{last-out}_j = t_{out} = t_{final} = \infty.$$

Thus, the correct coordination requirement will be satisfied.

A proof can now be given which shows that if the modules to be

simulated satisfy their three requirements, and the simulations of these modules satisfy their three requirements, then when these simulation modules are interconnected, the simulation will accurately model the entire system.

Theorem 1. Correctness of Simulation.

Suppose a simulation has the following properties:

- 1.) The modules to be simulated satisfy the monotonicity of output, finite delay, and functionality of output requirements.
- 2.) The simulation of each module satisfies the correct module simulation, correct ordering of output packets, and correct coordination requirements.
- 3.) All communication links between simulation modules operate properly. In other words, if input port i_1 is connected to output port o_2 , then $hsi_1 = hso_2$.
- 4.) The simulation receives a system input simulation history SI and the sequence of time values received at each system input port is strictly increasing.

Let $t_{final} = T_{final}(SI)$, that is t_{final} equals the smallest final time value received by any of the system input ports during the simulation. Then the simulation module for any module M_j will produce a module output simulation history HSO_j such that

$$\text{data}(HSO_j(t_{final})) = HO_j(t_{final}),$$

where HO_j would be the output history of the corresponding module in the actual system under following conditions:

- 1.) All modules in the actual system are started in the same initial state as the corresponding simulation modules.
- 2.) The actual system receives the system input history I , where

$$I = \text{data}(SI).$$

Furthermore, if $t_{final} = \infty$, the final state of each simulation module which terminates will equal the final state of the corresponding module in the actual system.

Before the major part of the theorem can be proved, two lemmas are needed.

Lemma 1.1. Correct Ordering of All Packets

If the simulation of each module satisfies the correct ordering of output packets requirement, the communication links between the simulation modules operate correctly, and the packets arrive at each system input port with strictly increasing time values, then every output port of every simulation module will produce packets with strictly increasing time values.

Proof of Lemma 1.1

The proof will follow by induction on the sequence of packets which an observer would see if he were to simultaneously observe the output ports of every simulation module. This sequence would be of the form $p_1, p_2, \dots, p_j, \dots$ where p_j is the j th packet observed. In any physical system, no two packets could appear at the exact same time, so the packets will be totally ordered in time. The sequence of packets sent from each output port is countable, and there are a finite number of output ports in the system, hence the sequence p_1, p_2, \dots must be countable. This allows us to perform induction on the sequence.

Basis: Initially, no output ports have produced any packets, thus no ordering constraints have been violated.

Induction: Assume the observer has seen the sequence p_1, p_2, \dots, p_j and up to this point, all output ports have produced packets with strictly increasing time values. Then, by the first-in, first-out property of the communication links, all

input ports connected to these output ports have received packets with strictly increasing time values. Furthermore, all system input ports have received packets with strictly increasing time values. Hence, whichever module produces packet P_{i+1} must have received input packets at each input port with strictly increasing time values up to this point. Since this simulation module satisfies the correct ordering of output packets requirement, the time value of P_{i+1} must be greater than the time values of all packets which have been sent from this output port previously.

Thus, by induction, no packet in the sequence P_1, P_2, \dots can violate the ordering requirements for each output port.

LEMMA 1.3. Monotonicity of Simulation Output.

If a module satisfies the monotonicity of output, finite delay, and functionality of output requirements, and the corresponding simulation module satisfies the correct ordering of output packets requirement, then the output data packets produced by a module in the simulation with time values less than t will depend only on the initial state and the input data packets received with time less than t . More precisely,

$$\text{data}(HSI(t-s)) = NI(t-s), \text{ for all } s > 0,$$

and

$$t \leq T_{\text{final}}(HSI).$$

Then, if the actual module and the simulation module both start in the same initial state S_0 ,

$$\text{data}(HSO(t)) = HO(t),$$

where HSO is the output simulation history of the simulation module after receiving HSI , and HO is the output simulation history of the actual module after receiving NI .

The idea behind this lemma is that the simulation can and will produce the output simulation history $HSO(t)$, once the input simulation history $HSI(t-)$

has been received. That it can produce the output simulation history up to time t is guaranteed by the three requirements on the module. That it will be guaranteed by the correct module simulation requirement. In order for the simulation module to realize it has received the entire input simulation history up to time t it may require packets with time values greater than or equal to t , as is stated in the condition $t \leq t_{final}(HSI)$. The simulation, however, will only use the packets with time values less than t in calculating the output values with time values less than or equal to t .

Proof of Lemma 1.2:

Let $HI' = data(HSI)$, and let HO' equal the output history of the actual module when it starts in state S_0 and receives the input history HI' . Then by the statement of the lemma,

$$HI(t-s) = data(HSI(t-s)) = HI'(t-s), \text{ for all } s > 0.$$

Hence, by the three requirements for the actual module

$$HO'(t) = HO(t).$$

Furthermore, by the correct module simulation requirement, if $t_{final} = t_{final}(HSO)$, then

$$data(HSO(t_{final})) = HO'(t_{final}).$$

By the statement of the lemma, $t \leq t_{final}$, therefore

$$data(HSO(t)) = HO'(t).$$

Thus

$$data(HSO(t)) = HO'(t) = HO(t).$$

This lemma will allow us to look only at the input data packets with

time values less than t , when trying to prove the correctness of the simulation up to and including time t .

Proof of Theorem 1.

The main theorem will be proved by induction on the sequence of time values

$$t_0, t_1, t_2, \dots, t_l, \dots$$

where $t_0 = 0$, and

$$t_0 < t_1 < \dots < t_l < \dots \leq \infty,$$

and each time value $t_l, l > 0$, is contained in some actual or simulation history

for the system. That is, t_l is contained in one of the following histories: I,

the system input history to the actual system; HO_j , the output history of some

module in the system H_j ; SI , the system input simulation history; or HSO_j , the

output simulation history for some module H_j . As mentioned in Chapter 2, the

history and simulation history for any port must be a countable sequence.

Since there are only finitely many input and output ports in the system, only

countably many time values can appear in all of the histories. Thus, the

sequence $t_0, t_1, \dots, t_l, \dots$ must be countable, which allows us to perform

induction on it.

Induction Hypothesis

For any $t_l \in t_0, t_1, \dots, t_l, \dots$, such that $t_l \leq t_{final}$:

- a.) $data(HSO_j(t_l)) = HO_j(t_l)$, for all modules H_j , and
- b.) Either $t_l = \infty$, or for any output port o_j ,
 $has_o_j(t_l) \in has_o_j$

That is, the simulation will be correct through time t_l , and all output ports in the simulation will produce some packet with time value greater than t_l , unless $t_l = \infty$.

Basis: $l = 0$.

- a.) Initially, $HSO_j(0) = HO_j(0) =$ the empty history, for any module M_j .
- b.) Initially, $HSI_j(0) = HI_j(0) =$ the empty history. Hence, $Tfinal(HSI_j(0)) = 0$ for any module M_j . By the correct simulation requirement, for any output port e_j of module M_j ,

$$t_{last-out, e_j} > Tfinal(HSI_j(0)) = 0.$$

Thus, $hso_j(0) \leq hse_j$, for any output port in the system.

Induction: Assume true for l , where $t_l < t_{final}$, prove true for $l+1$.

- a.) The Monotonicity of Simulation Output Lemma which has just been proved will be applied to show that $data(HSO_j(t_{l+1})) = HO_j(t_{l+1})$. By the induction assumption

$$data(HSO_j(t_l)) = HO_j(t_l).$$

for all modules M_j in the system. Furthermore, by the statement of the theorem,

$$data(SI) = I.$$

Therefore, since all communication channels in the simulation operate properly,

$$data(HSI_j(t_l)) = HI_j(t_l),$$

for all simulation modules M_j . Since no packets are produced with time t such that $t_l < t < t_{l+1}$,

$$data(HSI_j(t_{l+1}-\delta)) = HI_j(t_{l+1}-\delta), \text{ for all } \delta > 0.$$

Next, by part (i) of the induction assumption $hso_r(t_1) \subset hso_r$, for any output port o_r in the simulation. Thus, if input port i_2 is connected to output port o_r ,

$$hsi_2(t_1) = hso_r(t_1) \subset hso_r = hsi_2.$$

Furthermore, since any system input port will receive a packet with time greater than or equal to g_{out} , and $g_{out} > t_1$,

$$hsi_2(t_1) \subset hsi_2,$$

for any system input port i_2 . Combining these two facts,

$$hsi_2(t_1) \subset hsi_2,$$

for any input port, i_2 , in the system, whether it is connected to another module, or it is a system input port. No packets are produced in the simulation with time t such that $t_1 < t < t_{1+1}$, hence

$$hsi_2(t_{1+1}) \subset hsi_2,$$

for any input port i_2 in the system. Therefore

$$T(t_{1+1}(HSI_j)) \geq t_{1+1}$$

for any module H_j . Lemma 1.2 can therefore be applied to show that

$$data(HSO_j(t_{1+1})) = HSO_j(t_{1+1}),$$

for any module H_j .

b.) As has just been shown, if $t' = T(t_{1+1}(HSI_j))$ for the module H_j , then $t' \geq t_{1+1}$. By the correct execution requirement, for any output port o_r of module H_j , either

$$data-out_r > t' \geq t_{1+1}$$

or

$$t_{last-out}_r = \infty \geq t' \geq t_{l+1}.$$

That is, some packet with time value greater than t_{l+1} will be produced on each output port, unless $t_{l+1} = \infty$. Thus, for any output port o_r in the simulation, either

$$hso_r(t_{l+1}) \subset hso_r,$$

or

$$t_{l+1} = \infty.$$

Therefore, by induction

$$data(HSO_j(t_{final})) = HO_j(t_{final}),$$

for any module M_j in the system.

Finally, to show that the module M_j would have the same final state S_j in both the simulation and the actual system, if $t_{final} = \infty$, we have just shown that $data(HSO_k(t_{final})) = HO_k(t_{final})$, for any module M_k . Furthermore, for the system input ports, the statement of the theorem requires that $data(SI) = I$. Thus, if the communication links between simulation modules operate correctly, and $t_{final} = \infty$

$$data(HSI_j) = HI_j,$$

for any module M_j . By the statement of the theorem, M_j is started in the same initial state S_0 in both the simulation and the actual system, therefore by the correct module simulation requirement, if $t_{final} = \infty$ and the simulation module terminates, then both the simulation module and the actual module must have the same final state.

This completes the proof of the correctness of the simulation operations of Chapter 2 combined with the coordination operations of Chapter 3.

Appendix 3

Correctness of the Termination Operations

The following proof shows that the addition of the termination operations of Chapter 4 to the simulation modules will maintain the correctness of the simulation, with the added feature that the simulation will terminate once the termination conditions are satisfied.

Theorem 2. Correctness of Termination

a.) Suppose a simulation is performed in which the modules to be simulated obey the three requirements: functionality of output, monotonicity of output, and finite delay, and the simulation and coordination operations of each simulation module obey the three requirements: correct module simulation, correct ordering of output packets, and correct coordination, and furthermore the coordination operations of a simulation module cannot cause time packets (∞) to be sent out by the simulation module unless

Then the addition of termination operations to the simulation modules as described in Chapter 3 will not cause any of these requirements to be violated.

b.) If the actual system ever reaches a state in which no modules in the system will ever enter the firing mode unless more packets are received on the system input ports, then every simulation module in the simulation of this system will eventually produce time packets with value ∞ on all output ports, if all system input ports in the simulation receive time packets with value ∞ .

Proof of First Part

The termination operations will not affect the actual modules, hence the first three requirements for the Correctness of Simulation Theorem will hold. As for the correct module simulation requirement, the termination operations are designed not to interrupt the simulation of the modules. The only way they could potentially cause this requirement to be violated would be by terminating

the simulation before the termination conditions are satisfied. Furthermore, since test packets contain no time values, their presence will not affect the correct ordering of output packets, or the correct coordination requirements. As long as the termination operations do not cause the simulation modules to send out time packets (a) before the termination conditions are satisfied, neither of these last two requirements will be violated either.

Since modules can communicate with each other only in the form of packets sent along the data channels, the conditions for termination for the modules in a connectivity class C_j can be stated as

- 1.) For each simulation module M_i in C_j , all input ports i_k such that $i_k \in I_{in}(M_i)$ have received time packets (a).
- 2.) No simulation module M_i in C_j can simulate the firing of a module without receiving more data packets (a).
- 3.) No simulation module in C_j will ever receive further data packets.

For a connectivity class which contains only one module and has no self-loop, there are no transmission operations. Thus, as long as the termination operations for connectivity classes containing cycles do not cause the simulation modules in the class to terminate too soon, the continuation of the simulation will be maintained.

Termination operations might cause the simulation modules in a class to terminate prematurely in one of two ways. First, a test of the class might succeed, even though the termination conditions are not satisfied. Second, some simulation module M_i might receive a time packet (a) on an input port $i_k \in$

from $class_i$, before any test has succeeded, and then proceed to send out time packets (∞) from all output ports, even though the termination conditions for the class are not satisfied. This second case can be ruled out rather easily. By the further restriction which has been placed on the coordination operations in the statement of the theorem, the coordination operations cannot cause a simulation module $M_i \in C_j$ to send out time packets (∞) from its output ports, unless time packets (∞) have been received on all input ports, including those in $from_class_i$. However, no simulation module $M_i \in C_j$ will receive a time packet (∞) on an input port in $from_class_i$ unless some simulation module $M_k \in C_j$ sends a time packet (∞) from an output port in to_class_i . Without any termination operations, this would happen only if M_k had already received a time packet (∞) on all input ports including those in $from_class_k$. Thus, no simulation module can be the first simulation module in the class to send time packets (∞). Therefore the coordination operations alone cannot cause any simulation modules in a class to terminate if the class contains cycles. Furthermore, the termination operations cannot cause any simulation module in a class to send out time packets (∞) until after a test has succeeded.

Thus, the proof of the first part of the theorem reduces to:

Lemma 2.1. No Premature Termination

Suppose the termination control module T for a connectivity class C_j has received time packets (∞) on all input ports $i_k \in from_class_j$, and no firing of the module can be simulated unless more data packets are received. If T sends out test packets (test.+) from all output ports $o_k \in to_class_j$, receives K packets with value test.+, in return, where

$$K = 1 + \sum_{M_i \in C_j} (|to_class_i| - 1);$$

and it receives no further data packets while waiting for the returning test packets, this means that

- 1.) All simulation modules $M_i \in C_j$ have received time packets (∞) on all input ports $i_k \in \text{from_class}_i$.
- 2.) No simulation module $M_i \in C_j$ can simulate the firing of a module without receiving more data packets.
- 3.) No simulation module in C_j will ever receive further data packets.

The following sequence of assertions proves Lemma 2.1:

1.) If every simulation module $M_i \in C_j$ is *terminatable*, meaning that it receives a time packet (∞) on every input port which is not in from_class_i , and it eventually stops simulating the firing of the module, then during a test (or reset) of the class C_j

a.) Each simulation module M_i in C_j will receive at least one test (or reset) packet.

b.) Exactly K test (or reset) packets will be created, where

$$K = 1 + \sum_{M_i \in C_j} (|\text{to_class}_i| - 1).$$

c.) At least one test (or reset) packet will be received on each input port in from_class_i for every $M_i \in C_j$.

Assertion 1a) can be shown by induction on the length of the shortest path from T to M_i (there must be a path from T to any other module in a connectivity class.) As a basis, if $l = 1$, then $T \rightarrow M_i$. M_i will receive a test (or reset) packet shortly after T sends out test (or reset) packets from each output port $o_k \in \text{to_class}_T$. Now assume the assertion is true for all simulation

modules in the class with a path from T of length less than or equal to l . Then if there is a path of length $l+1$ from T to a simulation module M_l , there must be some module $M_p \in C_j$, such that $M_p \rightarrow M_l$, and there is a path of length l from T to M_p . Hence the induction assumption applies to M_p , meaning that it will receive at least one test packet. As long as M_p is terminatable, it will send test (or reset) packets on every output port $o_p \in to_class_p$. Therefore, M_l will eventually receive a test (or reset) packet.

Assertion 1b) follows directly from 1a). Initially, T creates and sends out $|to_class_1|$ test (or reset) packets. The first time some other simulation module $M_1 \in C_j$ receives a test (or reset) packet, it will send out $|to_class_1|$ test (or reset) packets, thereby creating $|to_class_1| - 1$ new ones. On receiving any further test (or reset) packet, a simulation module will send one test (or reset) packet, hence no new test packets will be created, nor will any be destroyed. By assertion 1a), eventually all simulation modules will receive at least one test (or reset) packet, therefore exactly K test (or reset) packets will be created, where

$$K = 1 + \sum_{M_i \in C_j} (|to_class_1| - 1).$$

Assertion 1c) also follows from 1a). Every input port i_k in $from_class_1$ of a simulation module $M_1 \in C_j$ is connected to an output port o_r of some module $M_2 \in C_j$, and o_r is in to_class_1 . By assertion 1a), M_2 will receive at least one test (or reset) packet. If M_2 is terminatable, it will eventually send a test (or reset) packet on every output port in the set $from_class_1$. Therefore, M_1 will eventually receive a test (or reset) packet on i_k . This is true for any input

port i_k in from_class_1 of any simulation module $M_i \in C_j$.

2.) If some simulation module M_i is not terminatable, then less than K test packets will be created during a test, and therefore the test cannot succeed.

If M_j is not terminatable, then it will not send out any test packets even if it receives any. Thus it will not create $|\text{to_class}_1| - 1$ test packets, which means that fewer than K test packets will be created during a test of the class. The test cannot succeed unless T receives K test packets, hence the test cannot succeed if some simulation module M_j does not receive time packets (e) on all input ports which are not in from_class_1 , or it does not stop simulating the firing of the module.

3.) For a test to succeed, no simulation module can receive any data packets between the time it receives its first test packet and the time it sends its last test packet.

If a simulation module did receive a data packet during this time, it would send out at least one packet (test.-). Once a (test.-) packet has been sent, the test must fail, because any terminatable simulation module which receives a (test.-) must send out a (test.-) packet. If all modules are terminatable, T will receive at least one (test.-) packet, and the test will fail. If some simulation module is not terminatable, the test will fail in any case.

4.) If a test succeeds, no simulation module $M_i \in C_j$ will receive any data packets after it has received its last test packet.

This will be shown by contradiction. Suppose a test of a class succeeds, but one or more simulation modules receive data packets after receiving their final test packets. Let M_i be one of the first simulation modules for which this happens. That is, during the test, M_i received all of its test packets and later receives a data packet p on some input port i_k , but this had not happened to any simulation module in the class before this point. If i_k is not in $from_class_i$, then M_i could not have sent any test packets before receiving this data packet, because it cannot send any test packets before receiving a time packet (∞) on i_k . Thus if a data packet is received on an input port i_k which is not in $from_class_i$ after any test packet has been received by M_i , either the simulation module would not be terminatable, or M_i would send out a packet (test.-). In either case, the test would fail. Thus, i_k must be in $from_class_i$, which, by assertion 1c), implies that a test packet was received on input port i_k before data packet p was received. By the first-in, first-out property of the communication links between simulation modules, some module M_j must have sent data packet p to M_i after it had sent a test packet to M_i . This possibility can be eliminated by looking at two cases:

Case 1. $M_i - T$

The termination control module T did not send out any test packets unless it could not simulate any more firings without receiving more data packets. Thus, in order for T to send data packet p after sending test packets, it must receive at least one data packet p' after the test has been initiated. Suppose data packet p' was received before the test has been completed. Then the test must

fail by the rules for T. On the other hand, suppose packet p' was received after the test has been completed. Then T must have received all of its test packets and later received data packet p' , before M_1 received data packet p from T. This violates the assumption that the receipt of p by M_1 was the first case in which a simulation module in the class received a data packet after receiving all of its test packets.

Case 2. $M_1 \neq T$

In order for M_1 to send a test packet followed by data packet p to M_2 , it must first receive a test packet, wait until no more firings can be simulated, and send the test packet to M_2 . Then it must receive a new data packet p' , simulate the firing of the module, and send data packet p to M_2 . Thus, M_1 must have received data packet p' after it received its first test packet. Either this data packet was received before all test packets had been received by M_2 , or it was received after this time. In the first case, M_2 would later receive a test packet and therefore send out a packet (test, -). By assertion 3) the test would fail in this case. In the second case, M_1 must have received p' on some input port after it had received all test packets, and this must have happened before M_1 received data packet p from M_2 . This would violate the assumption that the receipt of p by M_2 was the first case in which a simulation module in the class received a data packet after receiving all of its test packets.

Thus, during a successful test, there is no simulation module M_1 which can be the first to receive a data packet after it has received all test packets.

5.) If a test succeeds, then no simulation module in the class can ever simulate a firing without receiving more data packets, nor will it ever receive more data packets.

If a test succeeds, then at the time a simulation module sent its first test packet, it could not simulate any more firings without receiving more data packets. By assertion 3), the simulation module did not receive any data packets between this time and the time at which it received its last test packet. By assertion 4), the simulation module did not, nor will it receive any data packets after the last test packet was received. Therefore, the test will succeed only if all simulation modules in the class are ready to be terminated.

This completes the proof that the addition of termination operations to the simulation modules cannot cause them to terminate too soon. Hence, none of the six requirements for the Correctness of Simulation Theorem of Appendix 1 can be violated. The correctness of the simulation will be maintained.

Proof of the Second Part

Proving the second part of the theorem requires showing that the termination operations for each connectivity class will cause the simulation modules in the class to terminate, once the termination conditions for the class are satisfied. If a class C_j consists of a single module M_j , which has no self-loop, then the correct coordination requirement will guarantee that time packets (ω) will be sent out once time packets with value ω have been received on all input ports, and no more firings of the module can be simulated.

Thus, this class will terminate once the termination conditions are satisfied. For connectivity classes containing cycles, it must be shown that once the connectivity class reaches the conditions for termination, any previous test or reset will be completed, a new test of the class will be initiated, and this test will succeed. These requirements are stated in the following lemma:

Lemma 2.2. Eventual Termination

A.) Completion of a Test or Reset

Suppose the termination control module T for a class C_j sends a test (or reset) packet from each output port o_k in to_class_T . If every simulation module M_i in C_j is *terminatable*, meaning it eventually receives time packets (∞) on every input port i_k which is not in $from_class_i$, and it eventually stops simulating the firing of the module, then all simulation modules in the class will receive at least one test (or reset) packet, and T will eventually receive K test (or reset) packets, where

$$K = 1 + \sum_{M_i \in C_j} (|to_class_i| - 1).$$

B.) Eventual Success of Test

Suppose every simulation module M_i in C_j reaches a state in which time packets (∞) have been received on all input ports which are not in $from_class_i$, no firings can be simulated without receiving more data packets, and no more data packets will ever be received by M_i . Then T will send out test packets (test.+) from all output ports in to_class_T , and it will eventually receive K (test.+) packets in return without receiving any further data packets.

C.) Termination after Successful Test

If T sends out time packets (∞) on all of its output ports, then every simulation module M_i in the class will eventually receive time packets (∞) on all input ports and hence will terminate.

The following sequence of assertions proves each part of Lemma 2.2:

A.) Completion of a Test or Reset.

1.) If every simulation module in the class C_1 is terminatable, then

- a.) Each simulation module M_i will receive at least one test (or reset) packet.
- b.) Exactly K test (or reset) packets will be created.

These assertions are identical to assertions 1a) and 1b) in the proof of Lemma 2.1.

2.) If every simulation module in the class C_j is terminatable, T will receive K test (or reset) packets.

This follows from the way in which the signal output ports were chosen. Every simulation module except for T has a single signal output port. T has no signal output port. These ports are chosen in such a way that if we look only at the simulation modules in the class and the channels connected to their output ports, there is a path from every simulation module to T . Thus, the simulation modules and the channels connected to the signal output ports fulfill the necessary requirements for a directed tree [1], with each arc pointing from a son to its father. That is

1. There is a unique root node (namely T) with no arcs leaving from it;
2. Every other node ($M_i \neq T$) has a single arc leaving from it (namely the channel connected to the signal output port); and
3. There is a path from every node to the root node.

One important property of trees is that they are acyclic, hence there is no path, $M_i \rightarrow M_i$, which follows only signal output links. During the test (or reset)

operations, K test (or reset) packets will be created, and once all simulation modules have received at least one test (or reset) packet, all test (or reset) packets will sent only from signal output ports. These packets will not be destroyed, nor can any terminatable simulation module hold onto them indefinitely, hence the packets can only be propagated toward the root node I . Therefore I will eventually receive all K test (or reset) packets, and the test (or reset) operations will be completed.

B.) Eventual Success of Test.

Suppose every simulation module M_i in a class C_i reaches a state in which time packets (w) have been received on all input ports which are not in from_class _{i} , no firings can be simulated without receiving more data packets, and no more data packets will ever be received by M_i .

1.) A new test of the class will be initiated.

If the simulation modules reach the above-mentioned state, they are all terminatable. Hence, by part A) of the lemma, any previous test or reset operations will be completed. Furthermore, during the reset operations every simulation module will receive a reset packet. Hence, any new test will take place as if no previous tests had occurred. Furthermore, once the reset operations are completed, a new test will be initiated.

2.) The test will succeed.

As long as no simulation module receives a data packet between the time it

receives its first test packet and the time it receives its last test packet, it will send out (test.+) packets as long as it receives (test.+) packets. By our assumption, no simulation modules will receive data packets once the test has started. Therefore, since T starts the test by sending (test.+) packets, by part A) of the lemma, K (test.+) will be created, and T will eventually receive K (test.+) packets. Thus, the test will succeed once the termination conditions for the class are satisfied.

C.) Termination after a Successful Test.

Suppose the test of a class succeeds and T sends time packets (∞) from all output ports.

1.) Every simulation module M_i in C_j will receive at least one time packet (∞) on some input port i_k in $from_class_i$.

This can be shown by induction on the length of the shortest path from T to M_i . In fact, the proof is virtually identical to the proof of assertion 1a) in the proof of Lemma 2.1.

2.) Every simulation module $M_i \in C_j$ will receive time packets (∞) on every input port.

In order for the test to succeed, M_i must have received time packets (∞) on every input port which is not in $from_class_i$. Furthermore, by assertion 1) any module $M_l \in C_j$ connected to M_i must receive at least one time packet (∞) on some input port $i_r \in from_class_l$. Hence, it will send out time packets (∞)

on all output ports, including one to input port i_2 of module M_1 . Therefore, all simulation modules in C_j will receive time packets (w) on all input ports once the test has succeeded.

This completes the proof that the addition of the termination operations to the simulation modules will cause the simulation to terminate, once the termination conditions for the system are satisfied.

CS-TR Scanning Project
Document Control Form

Date : 10/26/95

Report # LCS-TR-188

Each of the following should be identified by a checkmark:
Originating Department:

- Artificial Intelligence Laboratory (AI)
 Laboratory for Computer Science (LCS)

Document Type:

- Technical Report (TR) Technical Memo (TM)
 Other: _____

Document Information

Number of pages: 120 (126 - IMAGES)
Not to include DOD forms, printer instructions, etc... original pages only.

Originals are:

- Single-sided or
 Double-sided

Intended to be printed as :

- Single-sided or
 Double-sided

Print type:

- Typewriter Offset Press Laser Print
 InkJet Printer Unknown Other: _____

Check each if included with document:

- DOD Form Funding Agent Form Cover Page
 Spine Printers Notes Photo negatives
 Other: _____

Page Data:

Blank Pages (by page number): _____

Photographs/Tonal Material (by page number): _____

Other (note description/page number):

Description :	Page Number:
<u>IMAGE MAR: (1-120) UN# AD TITLE PAGE, 2-120</u>	
<u>(121-126) SCAN CONTROL, COVER, SPINE, TRGTS (3)</u>	

Scanning Agent Signoff:

Date Received: 10/26/95 Date Scanned: 11/17/95 Date Returned: 11/22/95

Scanning Agent Signature: Michael W. Cook

Scanning Agent Identification Target

Scanning of this document was supported in part by the **Corporation for National Research Initiatives**, using funds from the **Advanced Research Projects Agency** of the **United States Government** under Grant: **MDA972-92-J1029**.

The scanning agent for this project was the **Document Services** department of the **M.I.T. Libraries**. Technical support for this project was also provided by the **M.I.T. Laboratory for Computer Sciences**.

