

**DISK DRIVE  
SCHEMATICS AND  
LOGIC MANUAL**

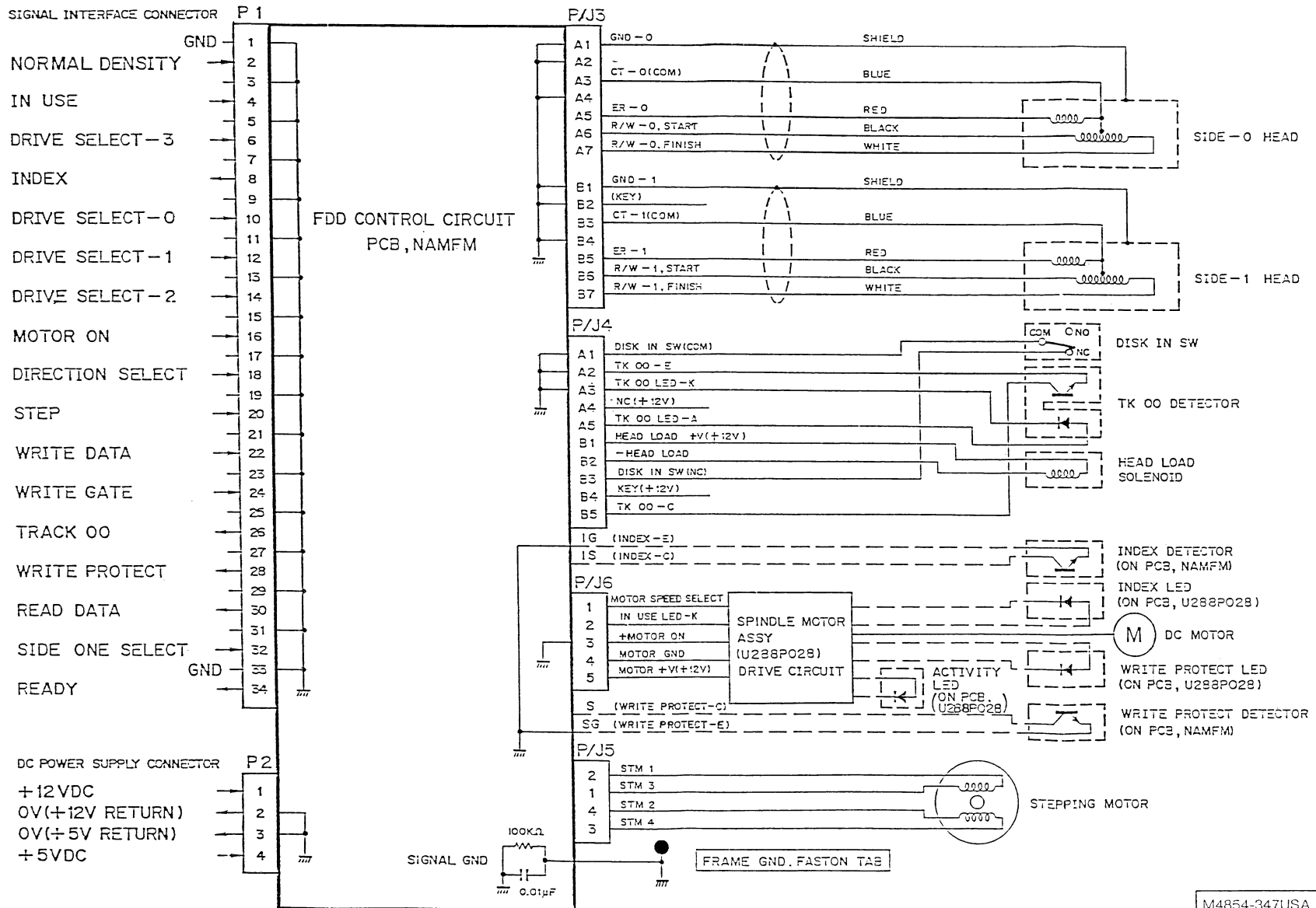
M4854-347USA

<u>Sheet Title</u>	<u>Page</u>	<u>Revision</u>
M4854-347USA DISK DRIVE WIRING DIAGRAM.....	3/5	..... A
M4854-347USA PCB NAMFM SCHEMATIC.....	3/5	..... A
M4854-347USA PCB NAMFM PARTS LOCATION DIAGRAM .....	4/5	..... A
M4854-347USA SPINDLE MOTOR ASSY SCHEMATIC.....	5/5	..... B

(NAME : E2SLR94)

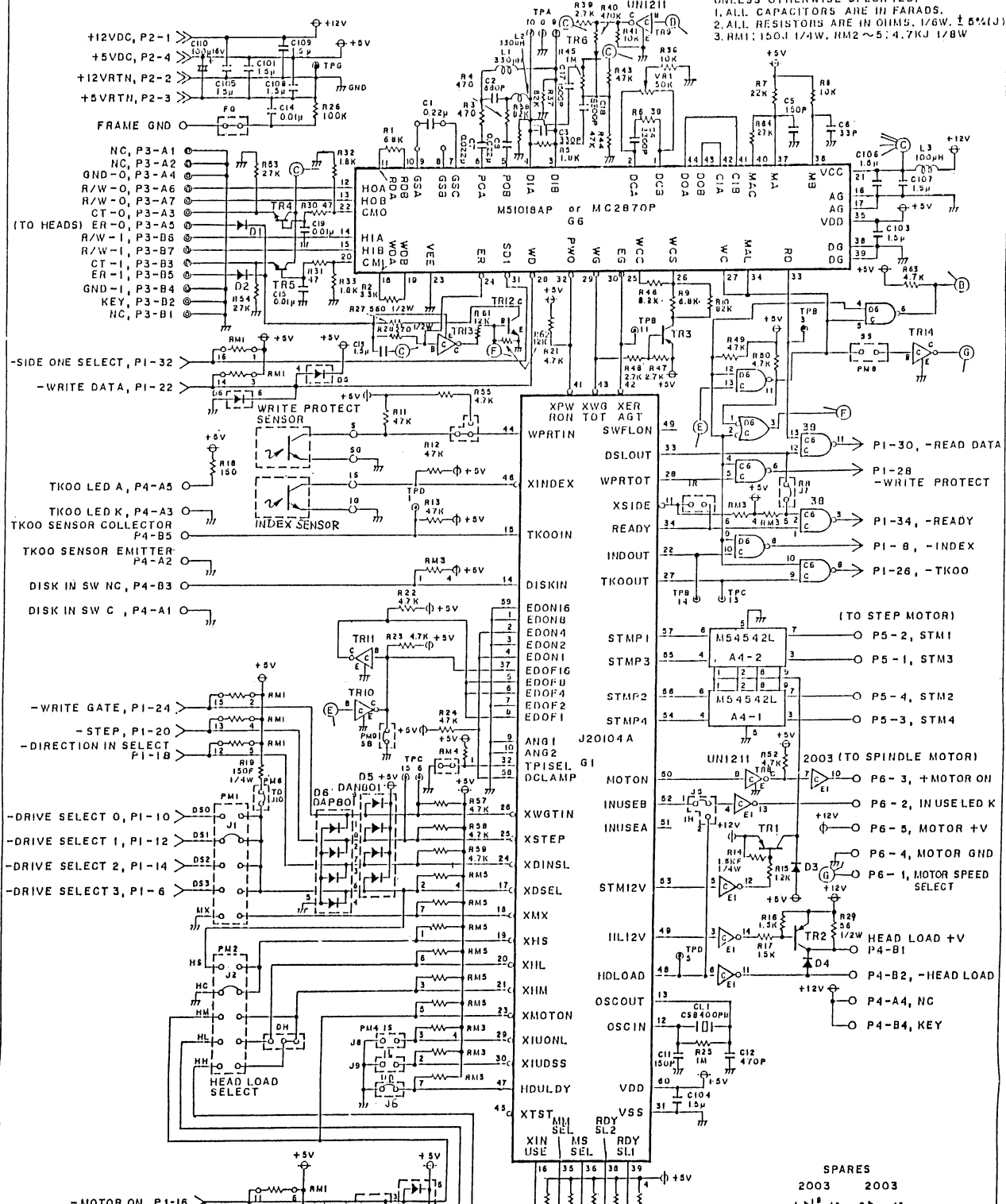


UGD-0262A

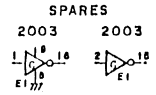
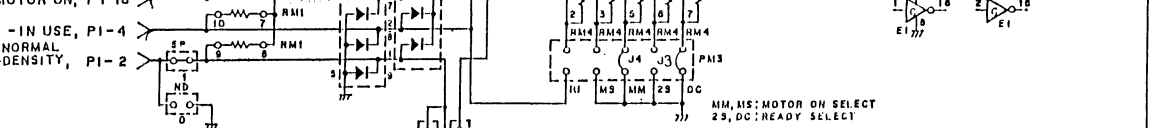


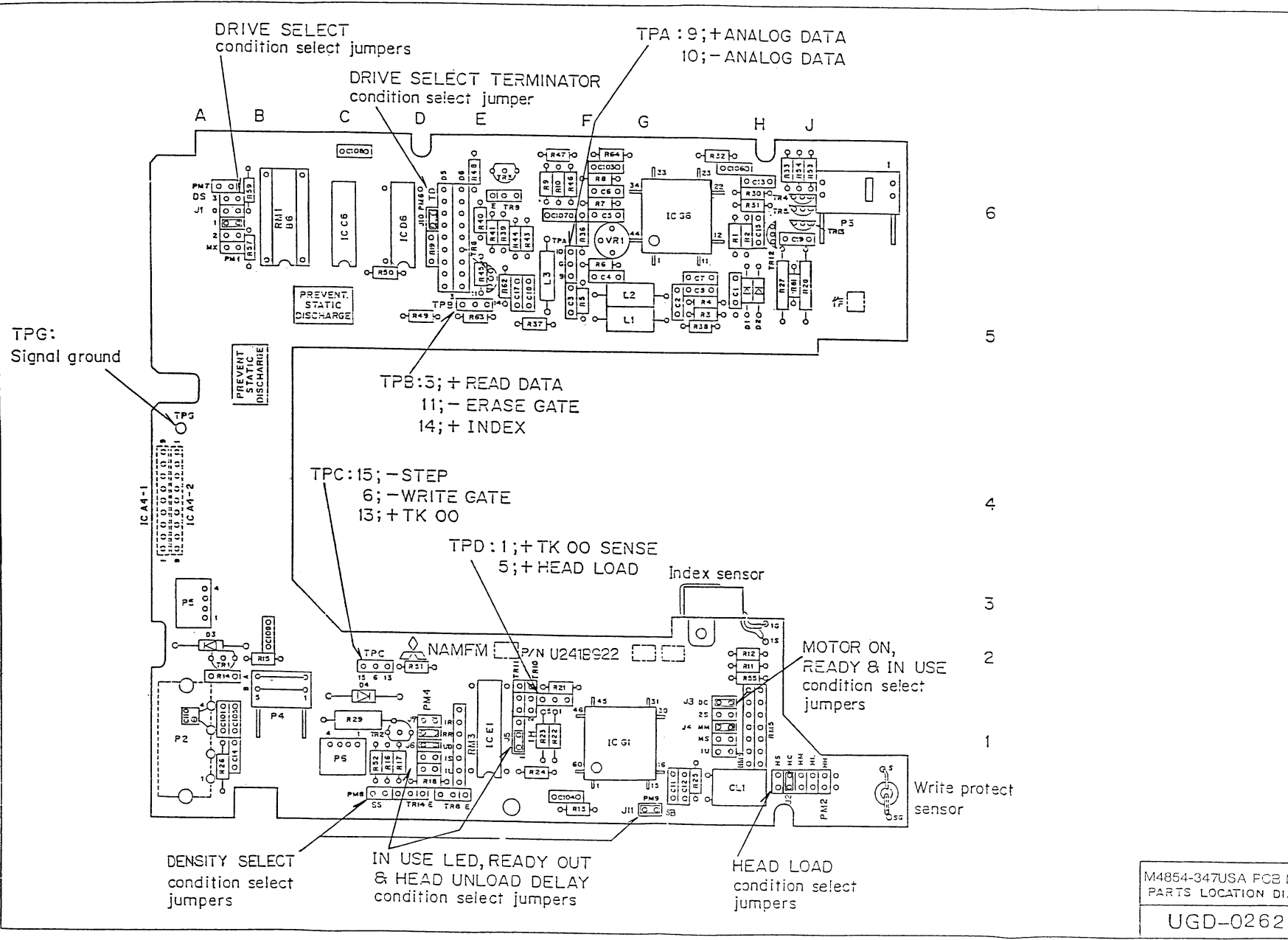
M4854-347USA DISK DRIVE WIRING DIAGRAM

NOTES  
 UNLESS OTHERWISE SPECIFIED:  
 1. ALL CAPACITORS ARE IN FARADS.  
 2. ALL RESISTORS ARE IN OHMS, 1/6W, ±5% (J)  
 3. RMT: 150.1 1/4W, HM2 ~5: 4.7KJ 1/8W

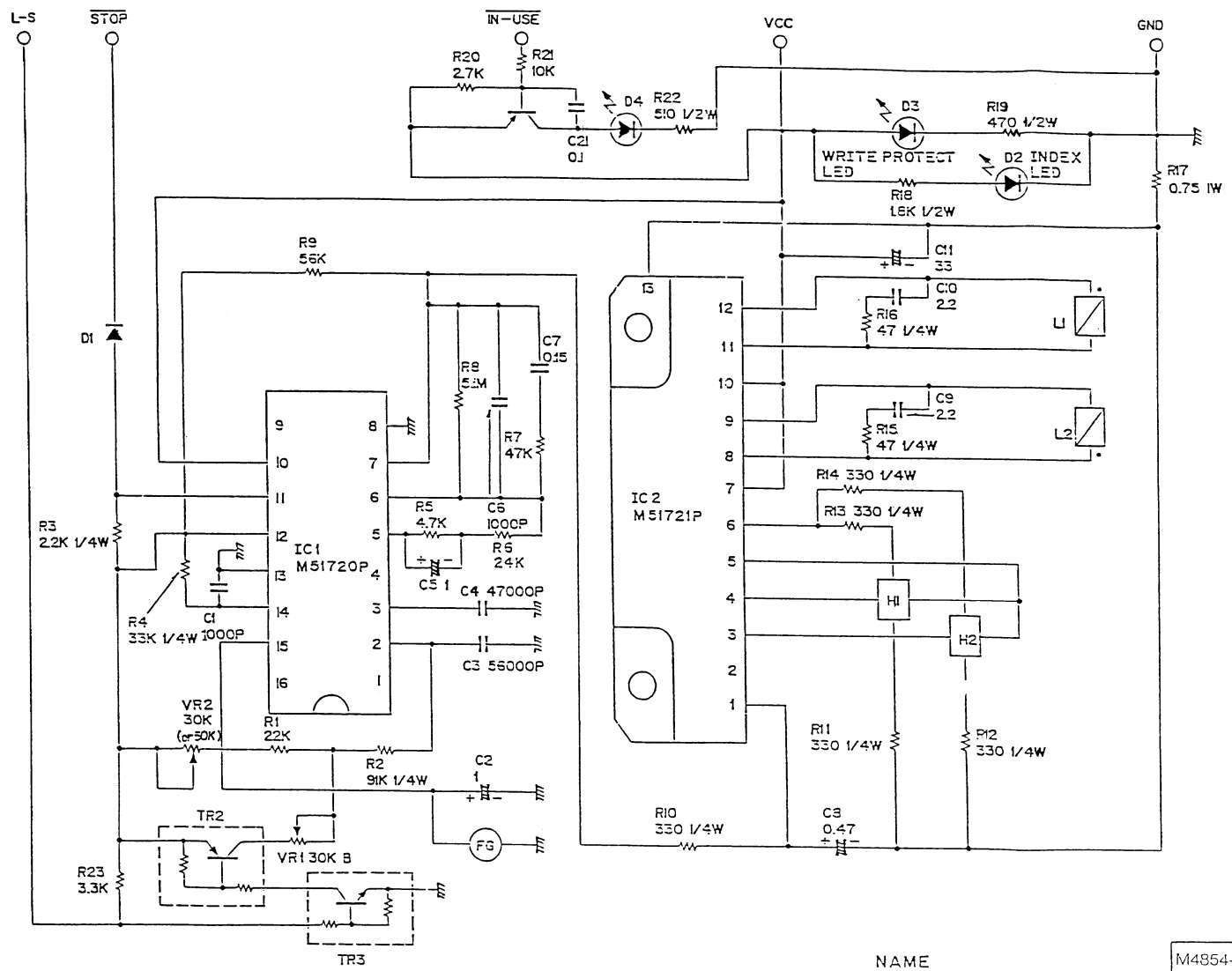


M4854-347USA PCB NAMFM  
 SCHEMATIC  
 UGD-0262  
 3/5





M4854-347USA PCB NAMFM PARTS LOCATION DIAGRAM



NAME  
E2SLR94

M4854-347USA SPINDLE MOTOR  
ASSY SCHEMATIC

UGD-0262 5/3