

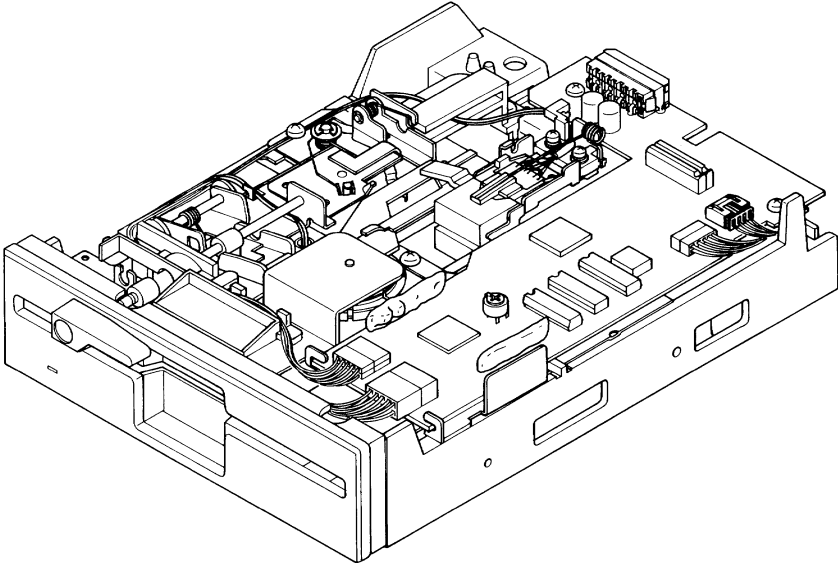
UED-0135A

**5.25 INCH FLEXIBLE DISK DRIVE
ILLUSTRATED PARTS LIST
MF504A-347UA**

 **MITSUBISHI ELECTRIC CORPORATION**

CONTNENTS

	Fig. No.	Page
1. MF504A-347UA.....		2
2. FLEXIBLE DISK DRIVE	1	3
3. MECHANISM ASS'Y (1)	2	4
MECHANISM ASS'Y (2)	3	6
4. FLEXIBLE DISK DRIVE WIRING DIAGRAM	4	8



MF504A-34UA Flexible Disk Drive

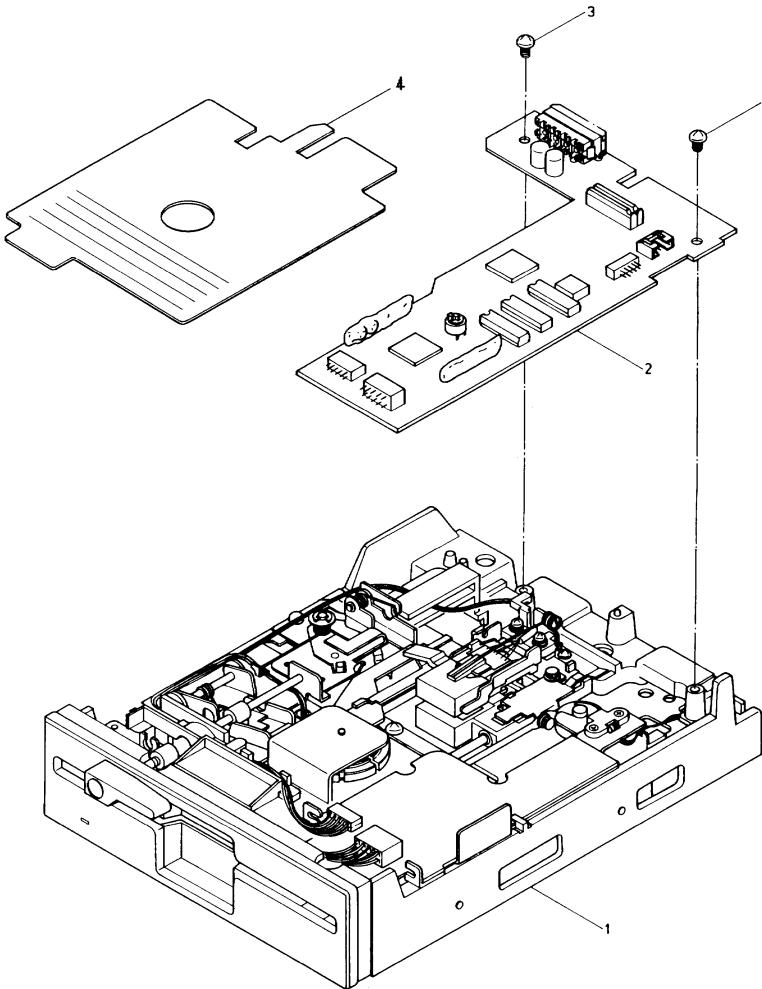


Fig. 1 Flexible Disk Drive

Fig. & Index Number	Part Number	Description	Q'ty
Fig. 1		Flexible Disk Drive	1
1	U951B016G09	Mechanism Ass'y	(1)
2	U241D506G04	PCA-NAMFN3	(1)
3	U650S063H19	Screw-B M3 x 6	(2)
4	U803C166H01	Head Protect Sheet	(1)

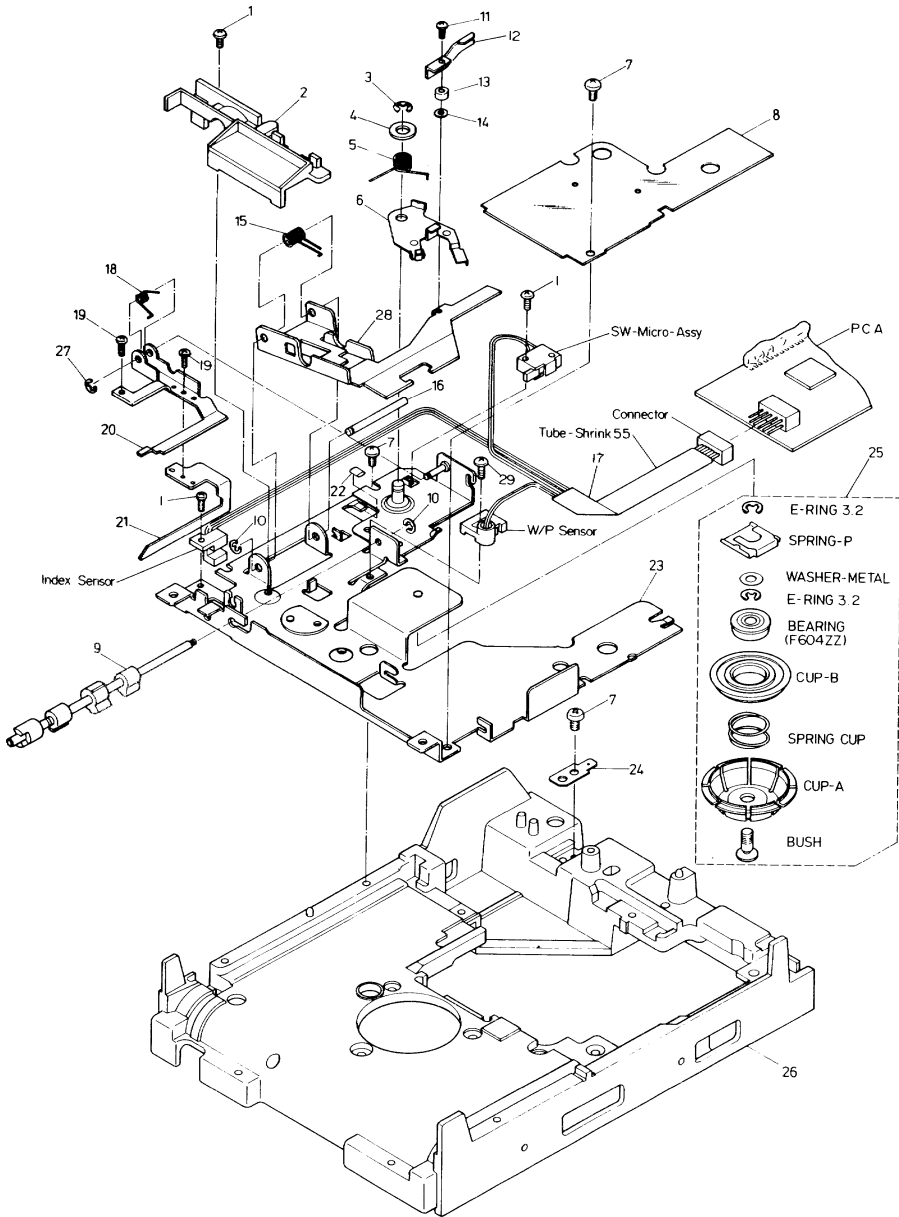


Fig. 2 Mechanism Ass'y (1)

Fig. & Index Number	Part Number	Description	Q'ty
Fig. 2		Mechanism Ass'y (1)	1
1	U650D506H01	Screw-B M2 x 6.5	(4)
2	U541C058H05	Holder	(1)
3	U685S100H05	E-Ring 3	(1)
4	U680S100H02	Washer-CU	(1)
5	U573D074H02	Spring-W	(1)
6	U525C053H02	Lever	(1)
7	U650S063H19	Screw-B M3 x 6	(4)
8	U236D005H04	Spacer-PVC	(1)
9	U536D078G01	Cam Ass'y	(1)
10	U685S100H01	E-Ring 2	(2)
11	U650S063H02	Screw-B M2 x 5	(1)
12	U572D074H02	Spring-P	(1)
13	U550D834H01	Spacer-Metal	(1)
14	U683D084H20	Washer	(1) or (2)
15	U571D094H02	Spring-W	(1)
16	U531D421H01	Shaft	(1)
17	U268C011G05	Sensor Ass'y	(1)
18	U573D075H01	Spring-W	(1)
19	U650S063H77	Screw-B M2 x 3	(2)
20	U525C042H03	Lever	(1)
21	U546D514H03	Holder-L	(1)
22	U073S733H03	Tube-Shrink 8 x 1	(1)
23	U580C088G07	Base Ass'y	(1)
24	U442D164H01	Terminal	(1)
25	U567C003G01	Cup Ass'y	(1)
26	U581A010H26	Frame	(1)
27	U685S100H14	E-Ring 1.5	(1)
28	U525C045H01	Lever	(1)
29	U650S065H86	Screw-B M2.6 x 4	(1)

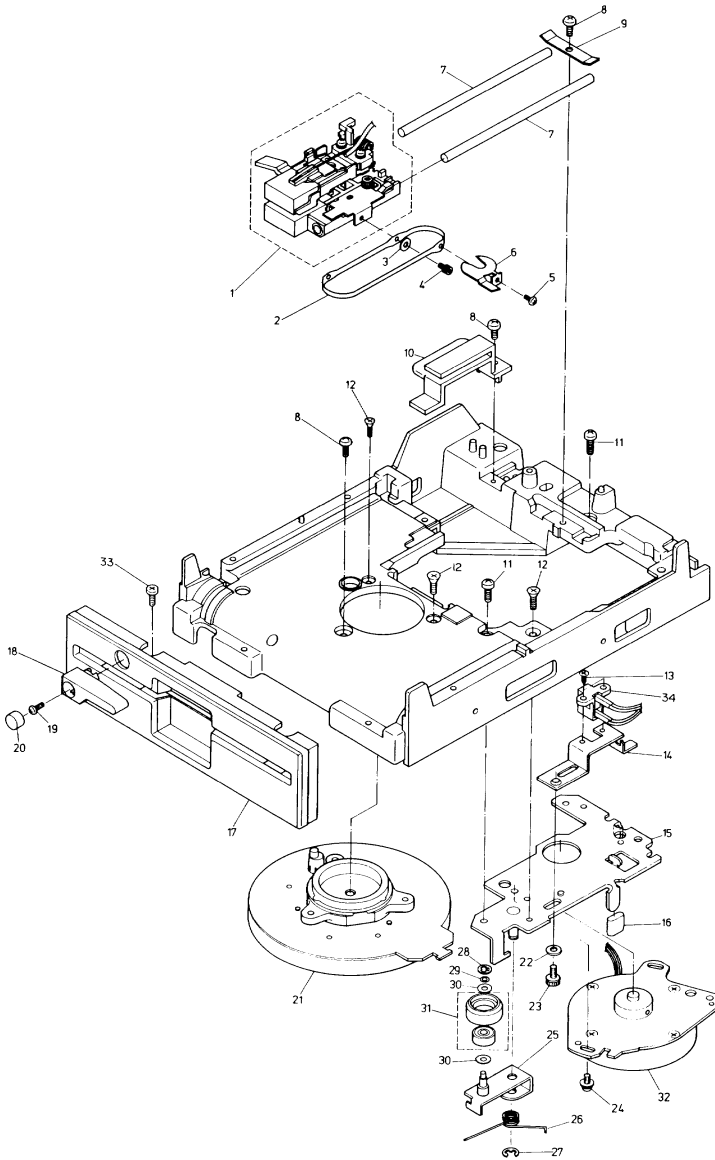


Fig. 3 Mechanism Ass'y (2)

Fig. & Index Number	Part Number	Description	Q'ty
Fig. 3		Mechanism Ass'y	1
1	U587B024G01	Carriage Ass'y	(1)
2	U521C507H03	Band	(1)
3	U680S157H02	Washer-BS 2.6	(1)
4	U667S013H01	Bolt M2.5 x 4	(1)
5	U650W021H03	Pan-FE M2.5 x 4	(1)
6	U541C071H01	Holder	(1)
7	U531D423H02	Shaft	(2)
8	U650S063H19	Screw-B M3 x 6	(4)
9	U572D055H01	Spring-P	(2)
10	U541D370H04	Holder	(1)
11	U650S063H20	Screw-B M3 x 8	(2)
12	U650S033H17	Screw-F M3 x 8	(3)
13	U650S033H02	Screw-F M2 x 6	(2)
14	U541D381H01	Holder	(1)
15	U544D197G05	Holder-F Ass'y	(1)
16	U073S733H06	Tube Shrink 13 x 2	(2)
17	U702D062G01	Panel-Front Ass'y	(1)
18	U714C014H01	Knob-Lever	(1)
19	U650S063H03	Screw-B M2 x 6	(1)
20	U567D333H14	Cap	(1)
21	U288Y026H01	Spindle Motor Ass'y	(1)
22	U680S033H03	Washer-3	(1)
23	U667S013H23	Bolt M3 x 6	(1)
24	U669S030H11	Screw-P M3 x 5	(2)
25	U525D897G03	Lever Ass'y	(1)
26	U571D093H01	Spring-W	(1)
27	U685S100H05	E-Ring-3	(1)
28	U685S140H01	CS-Ring 2	(1)
29	U680S033H01	Washer-2	(1)
30	U683S021H07	Washer-PL	(2)
31	U522D523G01	Idler Ass'y	(1)
32	U288Y030H02	Stepping-Motor	(1)
33	U650S063H20	Screw-B M3 x 8	(2)
34	U268D117G03	TK00 Sensor Ass'y	(1)

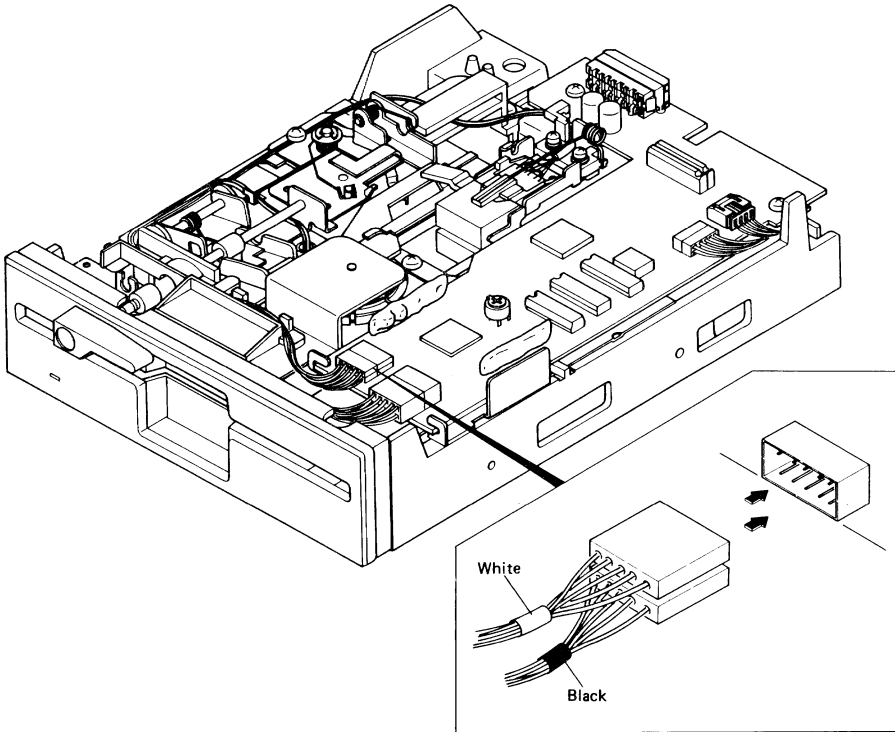


Fig. 4 Flexible Disk Drive Wiring Diagram