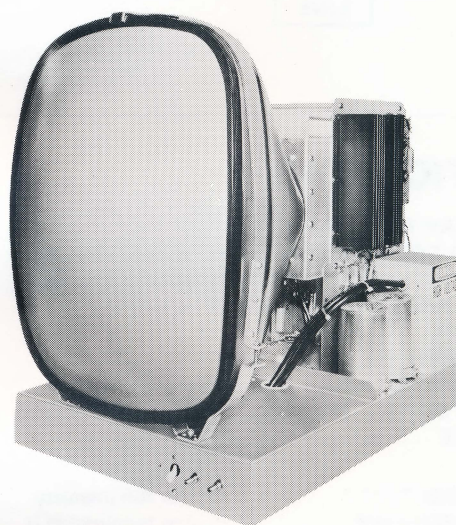


MODEL 8011 CRT GRAPHICS MONITOR for COMPUTER GRAPHIC TERMINALS

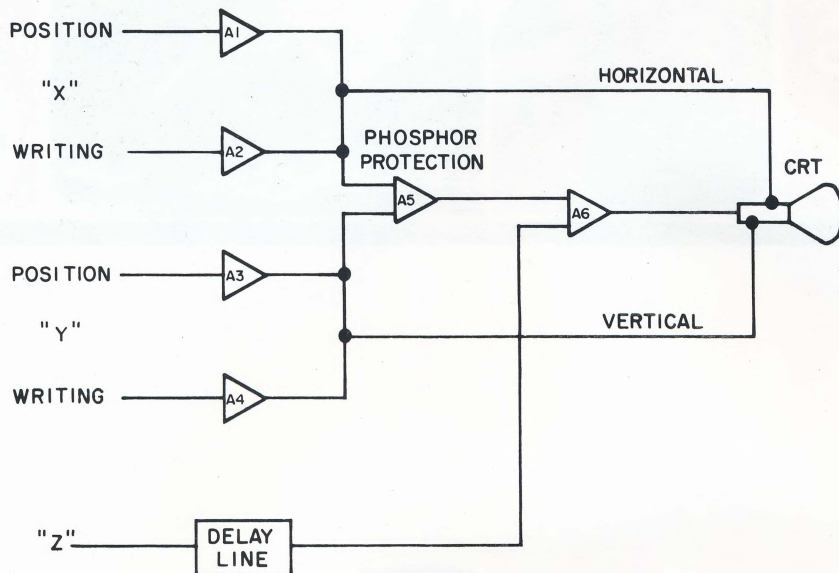


The MONITOR Model 8011 CRT GRAPHICS MONITOR is a direct-writing, alphanumeric/graphic computer output display. Characters, dots, vectors or conics may be displayed. Gamma correction and delay time cancellation are provided so that special circuits are not required in the appropriate generators. The tube is protected from phosphor burns as a result of failure in the

deflection circuitry or absence of input signal. Up to 1000 characters may be displayed at a refresh rate of 60 Hz; the writing rate for vectors and graphics is 500,000 inches/second. A complete line of character, vector, circle, ellipse and arc generators is available from MONITOR to work with this unit.

DESIGN FEATURES

- SINGLE MAGNETIC COIL DEFLECTION
- ALL SILICON SOLID STATE CIRCUITRY
- LARGE DISPLAY AREA (12" x 12")
- ZERO DIFFERENTIAL DELAY INTERFACE FOR FAITHFUL REPRODUCTION OF CHARACTERS, VECTORS, AND CONICS.
- BONDED FACEPLATE
- GAMMA CORRECTION
- PHOSPHOR PROTECTION
- PINCUSHION CORRECTION
- LOW POWER CONSUMPTION



A1 through A4 are wideband amplifiers used for positioning and writing. All amplifiers are dc coupled and have 75-ohm inputs. Self-contained adjustments are available to set up each channel. A5 is the phosphor protection amplifier whose output inhibits the z-axis amplifier, A6, should there be no deflection signal at the outputs of A1 - A4. A6 is the z-axis amplifier with gamma correction which is dc coupled and accepts an analog signal. A delay line is added in series with the input to match the delay of the x and y amplifiers.

SPECIFICATIONS

CATHODE-RAY TUBE

SIZE AND TYPE	21" with P31 phosphor and bonded faceplate.
DISPLAY AREA	12" x 12"
LINEARITY	±1%
PINCUSHIONING	±2%
LIGHT OUTPUT	50 foot-lamberts
WRITING SPEED	500,000 inches/second
SPOT SIZE	0.020"

Z-AXIS

INPUT SENSITIVITY	+3 v for full intensity
INPUT IMPEDANCE	75-ohm termination is standard.
RISE TIME	50 nsec
GAMMA CORRECTION	Light output is linear with respect to input voltage
DELAY TIME	Zero differential delay of the z-axis with respect to the X and Y signals.

MAJOR DEFLECTION

INPUT SENSITIVITY	5 v p-p for 12" deflection.
INPUT IMPEDANCE	75-ohm termination is standard.
LARGE SIGNAL RESPONSE	20 kHz.
SMALL SIGNAL RESPONSE	500 kHz @ -3db.
X-Y PHASE SHIFT	Less than 1 line separation @ 15 kHz.
SETTLING TIME	14 microseconds for full deflection within 12" x 12" viewing area to settle within 0.25% 3 microseconds for 0.5" deflection to settle within 0.25%

MINOR DEFLECTION

INPUT SENSITIVITY	5 v p-p for 0.5 inch deflection.
INPUT IMPEDANCE	75-ohm termination is standard
FREQUENCY RESPONSE	1 MHz @ -3db.
X-Y DIFFERENTIAL PHASE SHIFT	Less than 1 line separation @ 1 MHz.

INPUTS: (BNC Connectors, rear)

1. X-input Major Deflection
2. X-input Minor Deflection
3. Y-input Major Deflection
4. Y-input Minor Deflection
5. Z-input

OPERATOR CONTROLS: (Front)

- On/off
- Focus
- Intensity

SERVICE ADJUSTMENTS: (Rear).

X-input deflection sensitivity	
X-input D.C. level	
Y-input deflection sensitivity	
Y-input D.C. level	
Z-axis D.C. level	
POWER REQUIREMENTS	115 v ± 10%, 60 Hz, 300 watts
ENVIRONMENT	50° F to 100° F.
SIZE	24½" H x 19" W x 27½" D.

OPTIONS:

RACK MOUNTABLE	Includes Parts for mounting in 19" relay rack.
COVER HOOD	20¾" H x 24" W x 33" D. CRT Horizontal.
OTHER OPTIONS	<ul style="list-style-type: none"> Higher performance Custom configurations Daisy chain operation. Ruggedized units. MIL or NASA Specifications

XX MONITOR DISPLAYS
an AYDIN company

401 COMMERCE DRIVE • FORT WASHINGTON, PA. 19034
PHONE NUMBER: 215-646-8100 • TWX: 510-661-1520