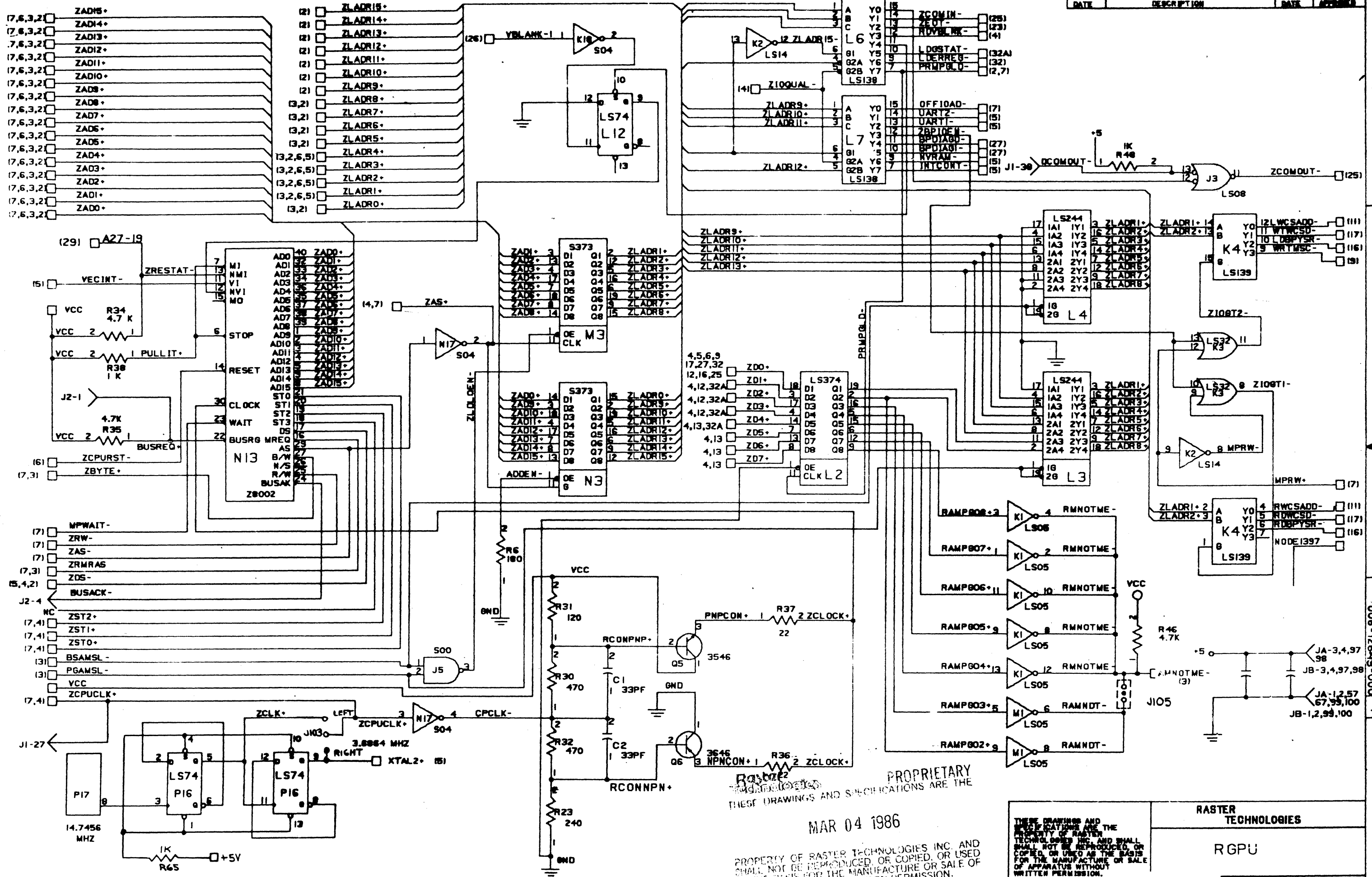


RGPU, 8K

Drawing # 006-12643-000

DATE	DESCRIPTION	DATE	APPROVED



PROPRIETARY  
 THESE DRAWINGS AND SPECIFICATIONS ARE THE  
 PROPERTY OF RASTER TECHNOLOGIES INC. AND  
 SHALL NOT BE REPRODUCED, COPIED, OR USED  
 AS THE BASIS FOR THE MANUFACTURE OR SALE OF  
 APPARATUS WITHOUT WRITTEN PERMISSION.

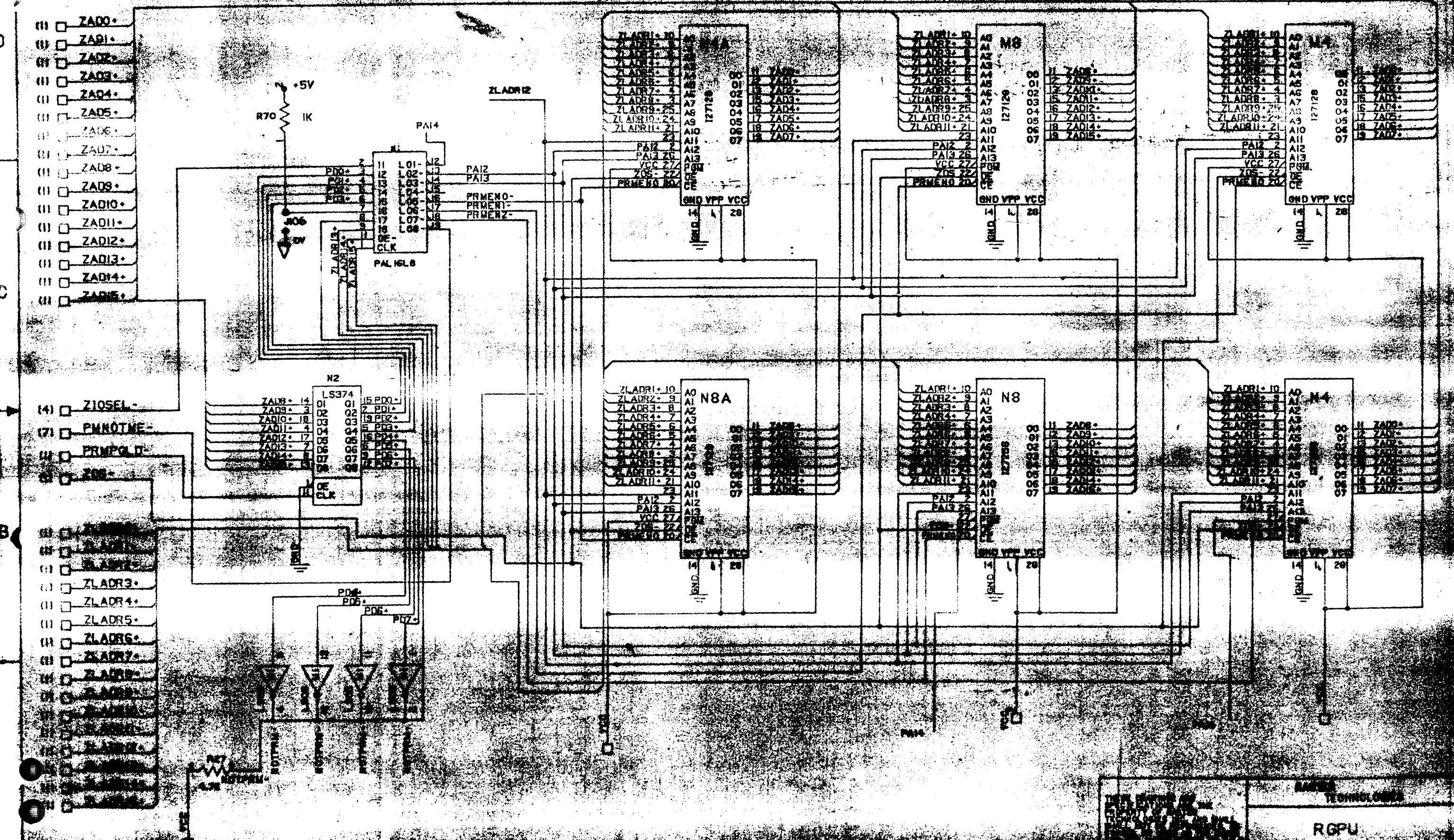
MAR 04 1986

RASTER TECHNOLOGIES

RGPU

DRAWING NO.  
006-12643-000

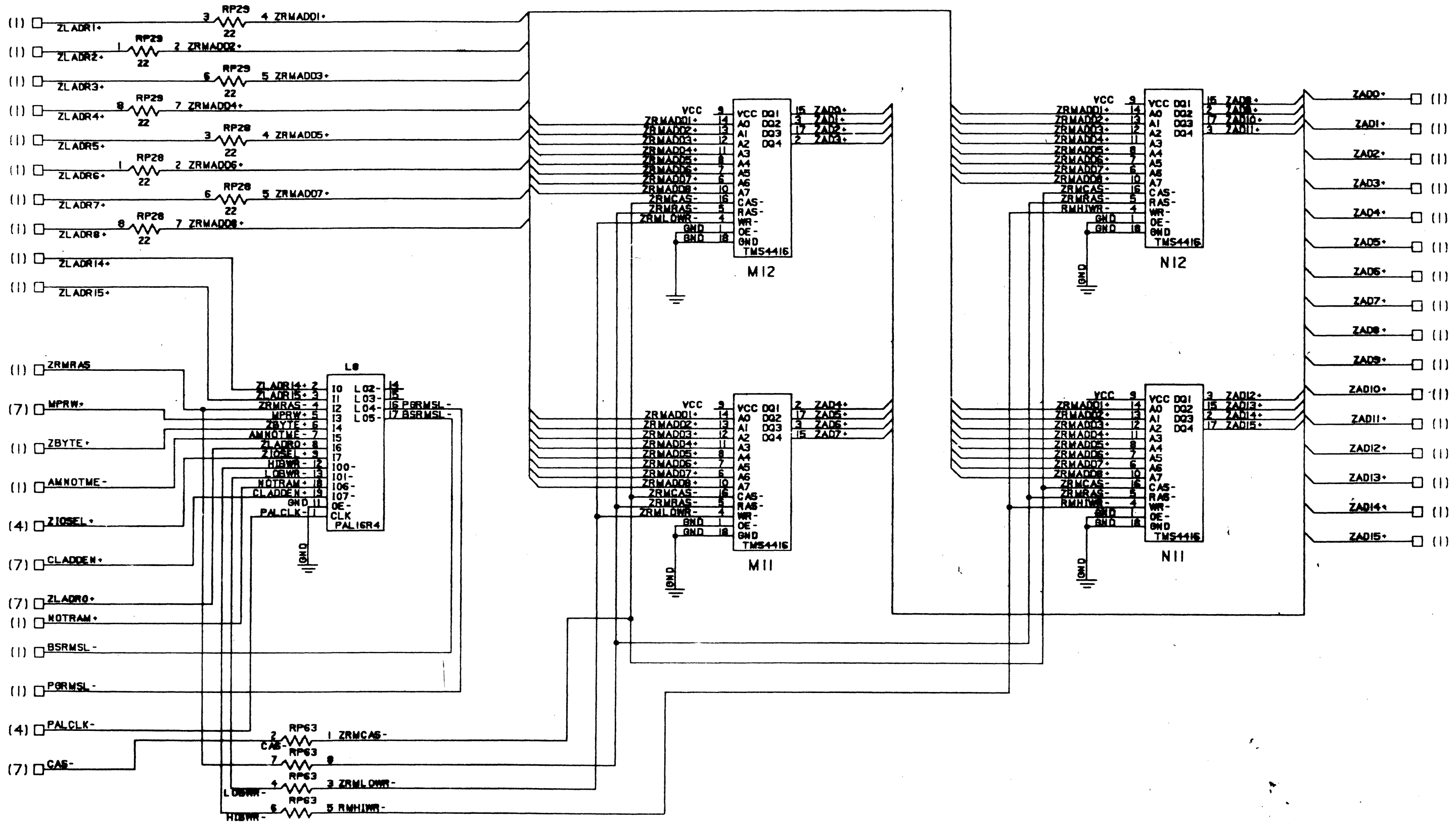
REV	DESCRIPTION	DATE	BY



TECHNOLOGIES

RGPU

REVISIONS			
DATE	DESCRIPTION	DATE	APPROVED

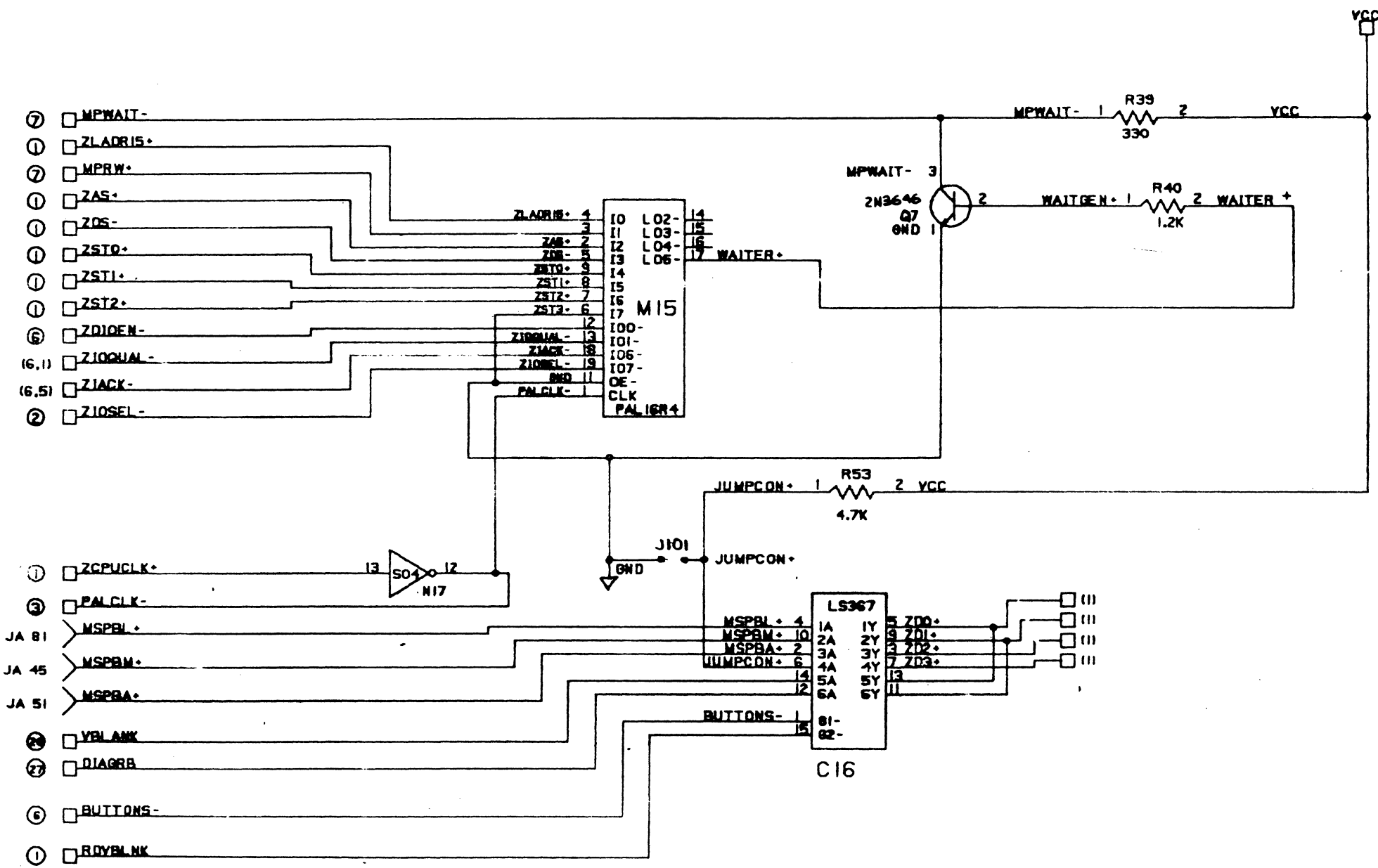


RP63 22 OHM

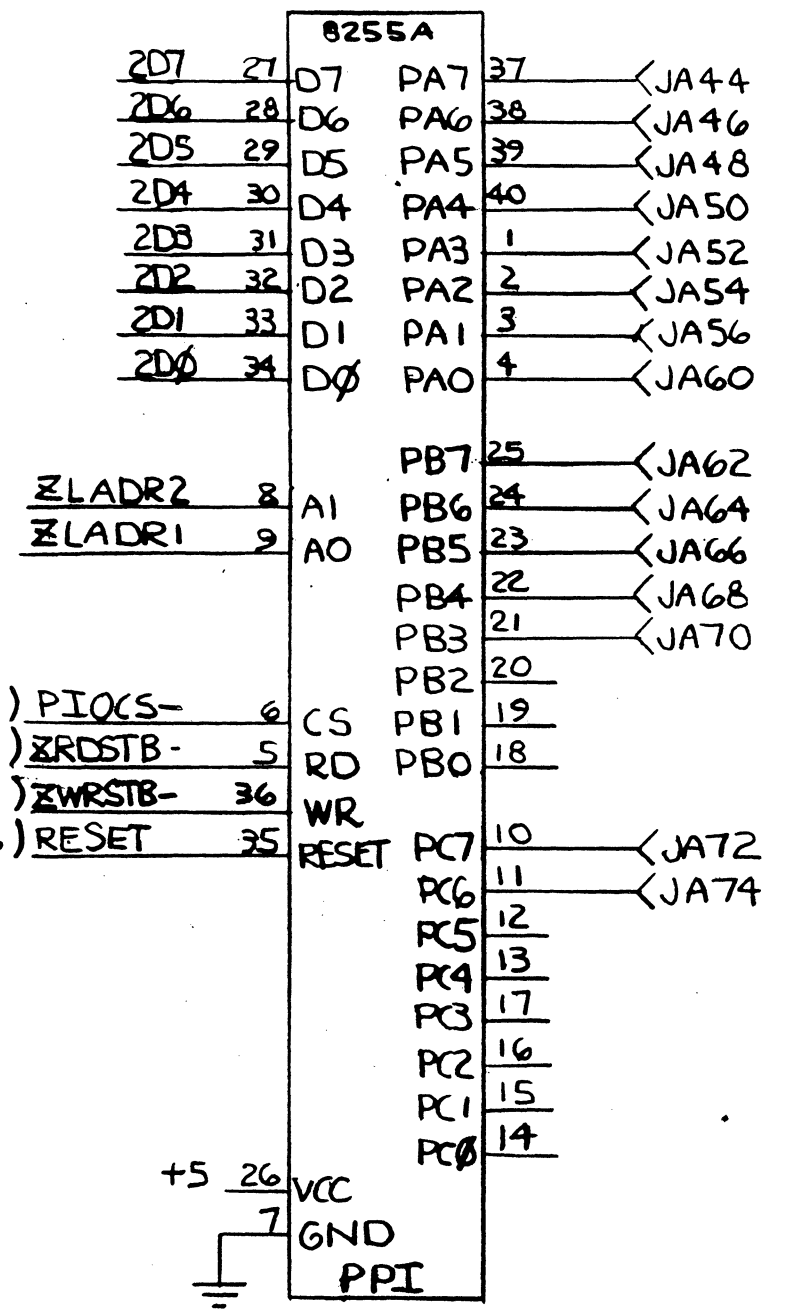
<p>THESE DRAWINGS AND SPECIFICATIONS ARE THE PROPERTY OF RASTER TECHNOLOGIES INC. AND SHALL NOT BE REPRODUCED OR COPIED OR USED IN ANY MANNER FOR THE MANUFACTURE OR SALE OF APPARATUS WITHOUT WRITTEN PERMISSION.</p>	<p><b>RASTER TECHNOLOGIES</b></p>
	<p>RGPU</p>

006-12649-000 3

REVISIONS			
DATE	DESCRIPTION	DATE	APPROVED



### PRINTER PORT



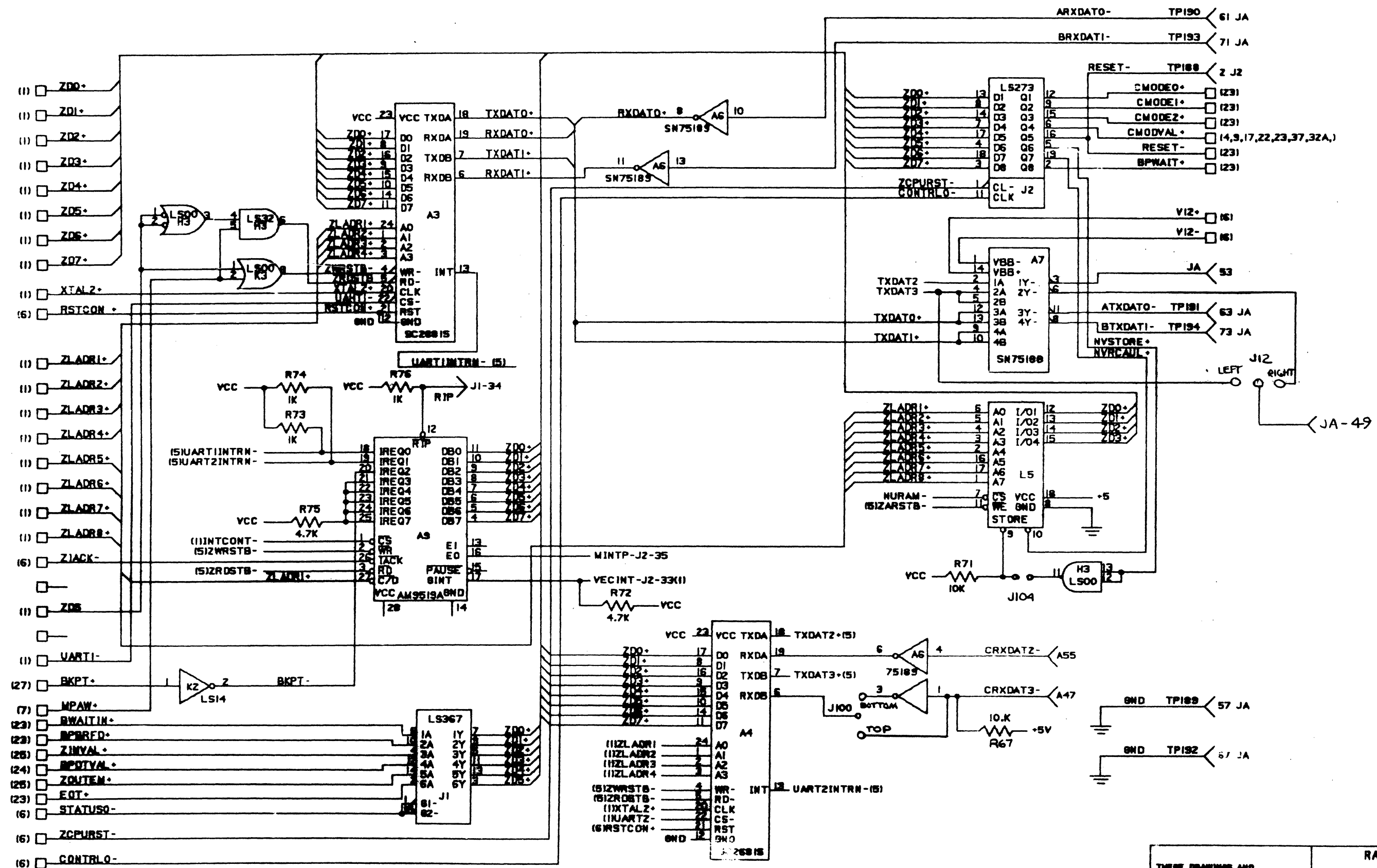
THESE DRAWINGS AND SPECIFICATIONS ARE THE PROPERTY OF RASTER TECHNOLOGIES INC. AND SHALL NOT BE REPRODUCED, COPIED, OR USED AS THE BASIS FOR THE MANUFACTURE OR SALE OF APPARATUS WITHOUT WRITTEN PERMISSION.

RASTER TECHNOLOGIES

RGPU

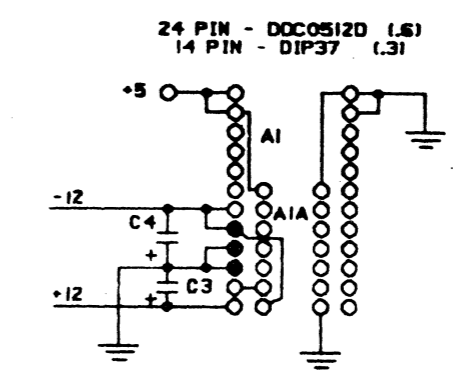
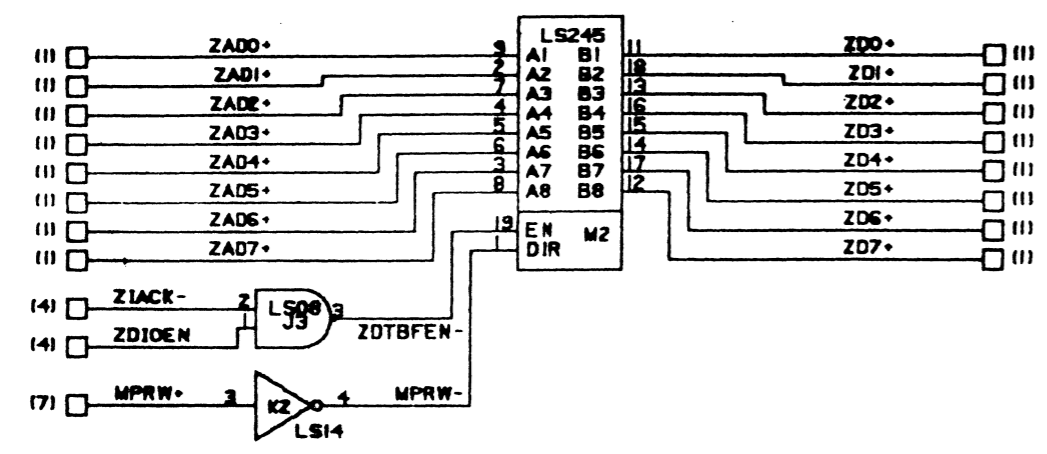
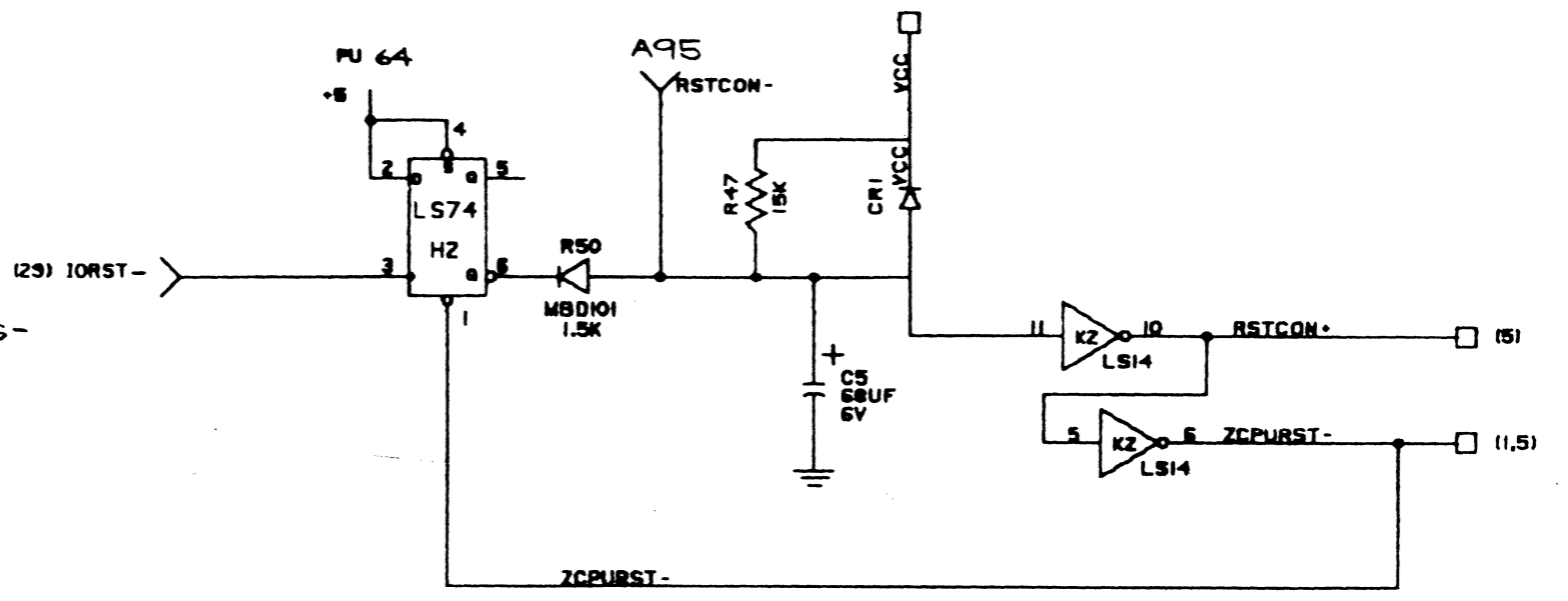
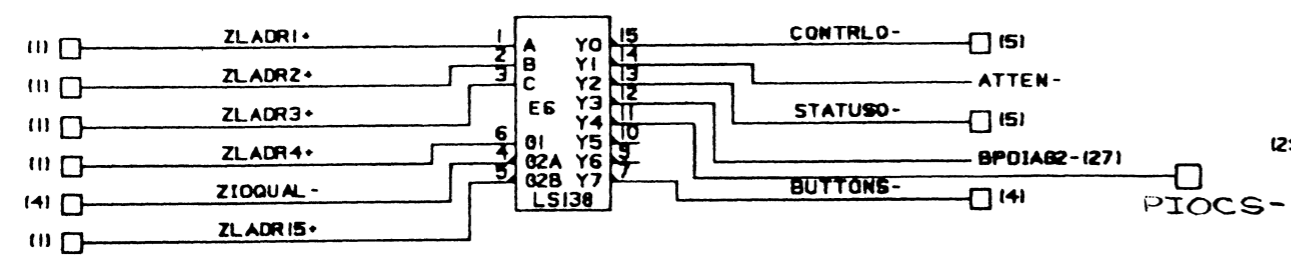
DRAWING NO. 006-12643-000

006-12643-000



THESE DRAWINGS AND THE INFORMATION ARE THE PROPERTY OF RASTER TECHNOLOGIES INC. AND SHALL NOT BE REPRODUCED OR COPIED OR USED AS THE BASIS FOR THE MANUFACTURE OR SALE OF APPARATUS WITHOUT WRITTEN PERMISSION.

REVISIONS			
DATE	DESCRIPTION	DATE	APPROVER



		UNLESS OTHERWISE SPECIFIED DIMENSIONS ARE IN MILLIMETERS TOLERANCES: ANGLES: WHOLE NUMBERS: 1 PLACE DECIMALS: 2 PLACE DECIMALS:		
			CONTN NO.	RABTER TECHNOLOGIES
			CHK	
			ENG	R GPU
			DRP	

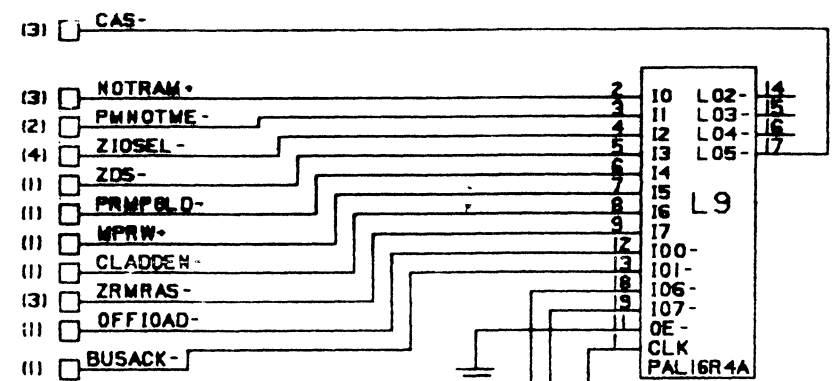
006-12643-000

REVISIONS			
DATE	DESCRIPTION	DATE	APPROVED

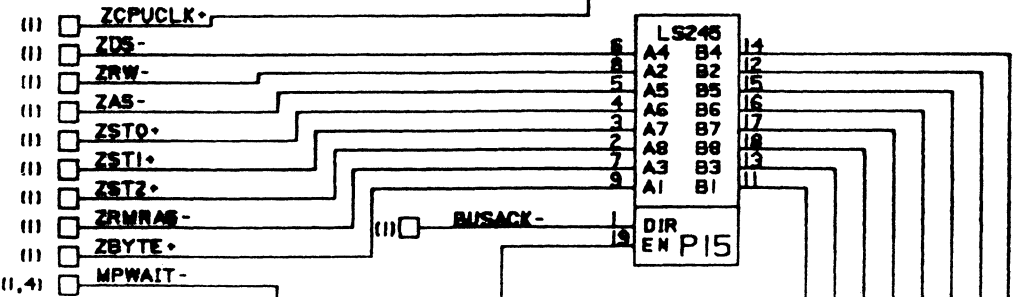
D

- (1) ZAD0•
- (1) ZAD1•
- (1) ZAD2•
- (1) ZAD3•
- (1) ZAD4•
- (1) ZAD5•
- (1) ZAD6•
- (1) ZAD7•
- (1) ZAD8•
- (1) ZAD9•
- (1) ZAD10•
- (1) ZAD11•
- (1) ZAD12•
- (1) ZAD13•
- (1) ZAD14•
- (1) ZAD15•

C



B

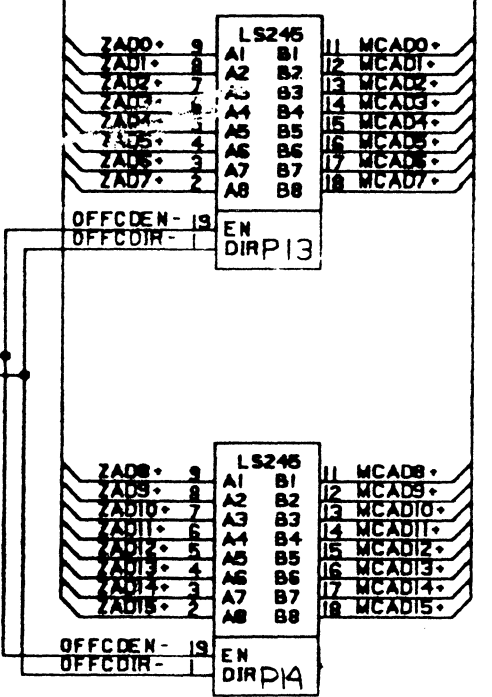


A

- J2 23 TP155
- J2 32 TP157 MPBW•
- J2 30 TP160 MRMRAS•
- J2 29 TP161 MSTAT2•
- J2 28 TP162 MSTAT1•
- J2 27 TP163 MSTAT0•
- J2 25 TP158 MPAS•
- J2 31 TP159 MPRW•
- J2 34 MZDS•

(6,5,4,3,1)

- J2 5 TP179 MCAD0•
- J2 6 TP178 MCAD1•
- J2 7 TP177 MCAD2•
- J2 8 TP176 MCAD3•
- J2 9 TP175 MCAD4•
- J2 10 TP174 MCAD5•
- J2 11 TP173 MCAD6•
- J2 12 TP172 MCAD7•
- J2 14 TP171 MCAD8•
- J2 15 TP170 MCAD9•
- J2 16 TP169 MCAD10•
- J2 17 TP168 MCAD11•
- J2 18 TP167 MCAD12•
- J2 19 TP166 MCAD13•
- J2 20 TP165 MCAD14•
- J2 21 TP164 MCAD15•



- J2 3 TP181 GND
- J2 13 TP182 GND
- J2 22 TP183 GND
- J2 24 TP184 GND
- J2 26 TP185 GND
- J2 36 TP187 GND

THESE DRAWINGS AND SPECIFICATIONS ARE THE PROPERTY OF RASTER TECHNOLOGIES INC. AND SHALL NOT BE REPRODUCED, COPIED, OR USED AS THE BASIS FOR THE MANUFACTURE OR SALE OF APPARATUS WITHOUT WRITTEN PERMISSION.

**RASTER TECHNOLOGIES**

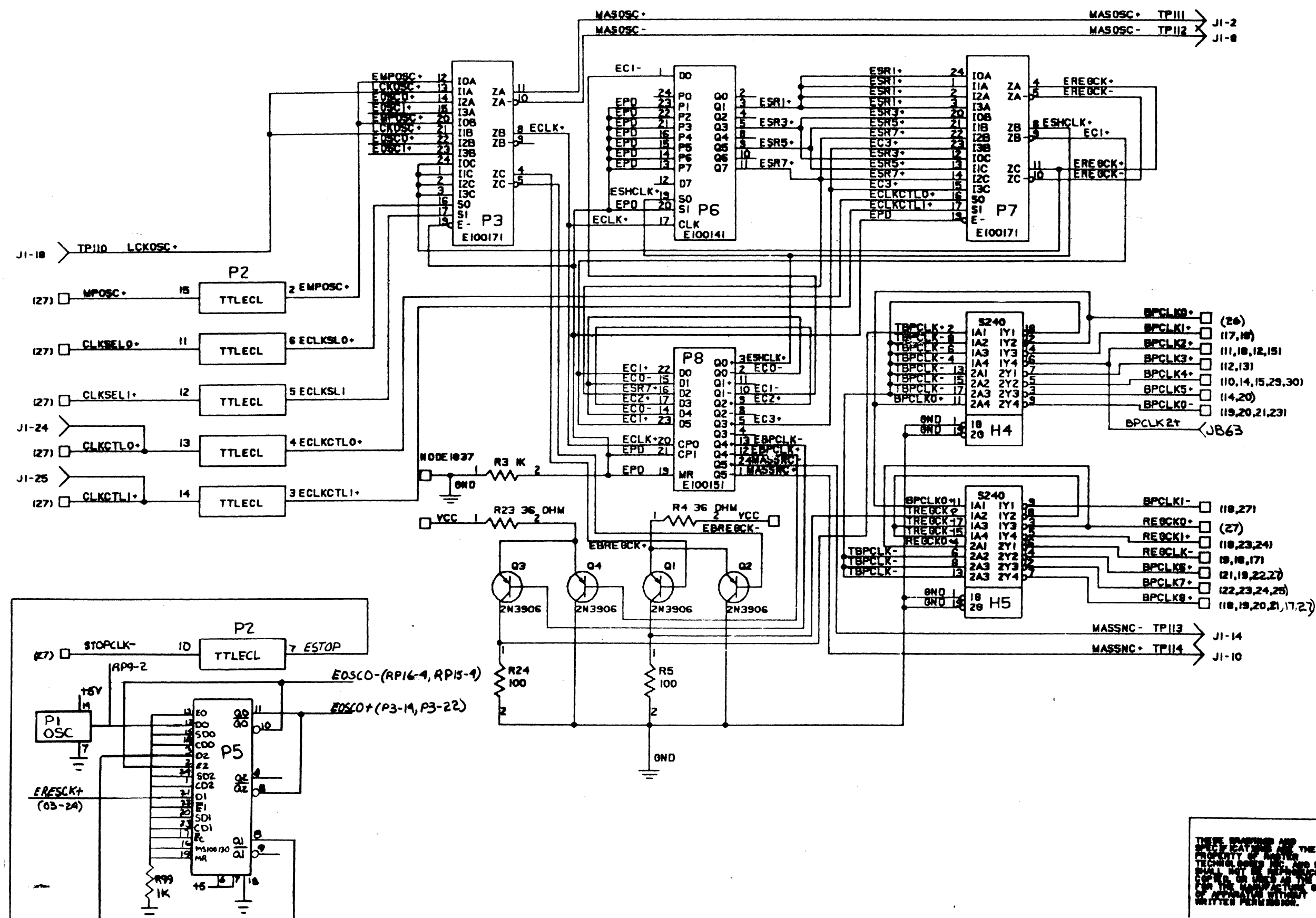
R GPU

BRANDS NO.

006-12643-000 7



REVIEWS			
DATE	DESCRIPTION	DATE	APPROVED

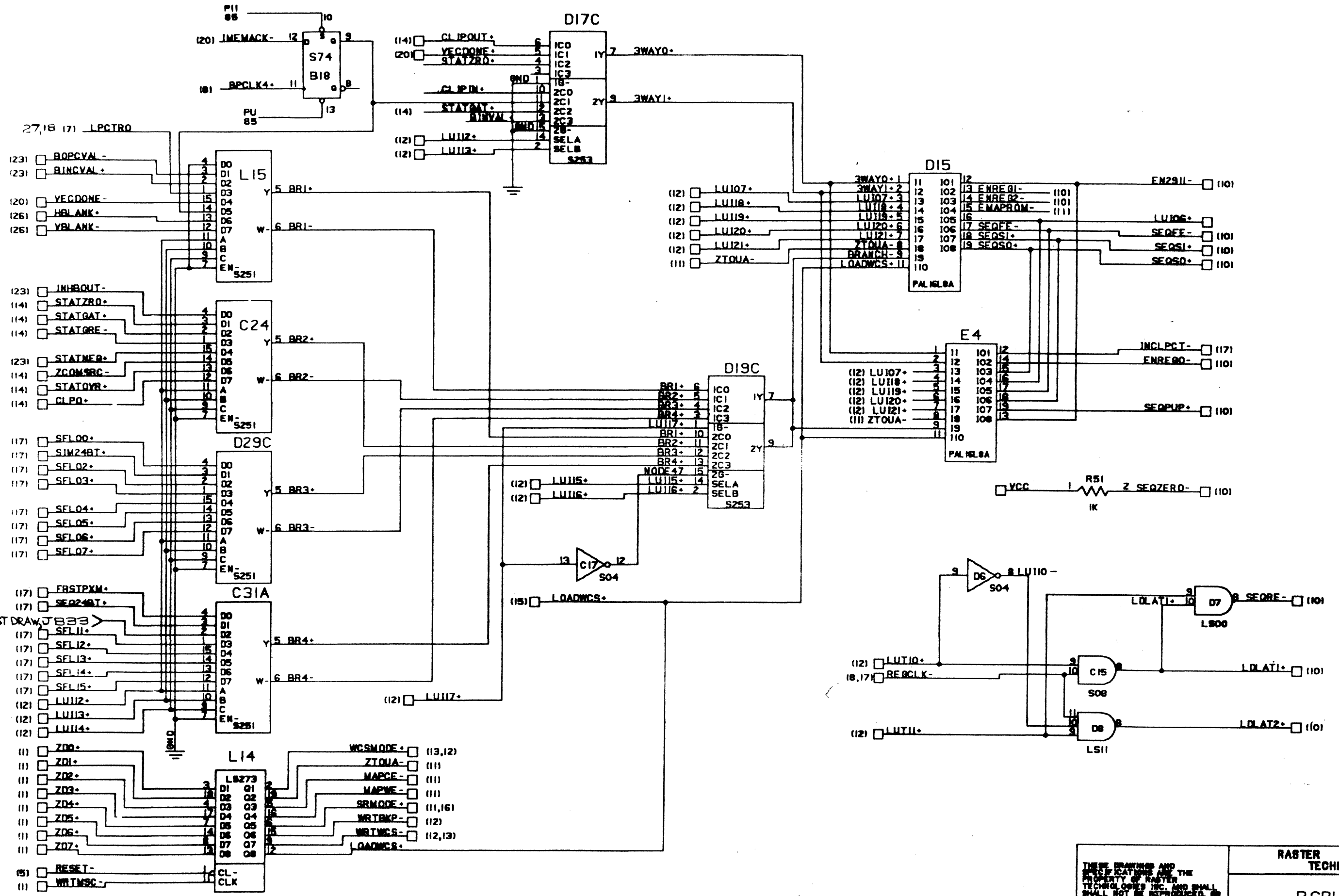


THIS DOCUMENT AND THE CONTENTS HEREIN ARE THE PROPERTY OF RASTER TECHNOLOGIES, INC. AND SHALL REMAIN THE PROPERTY OF RASTER TECHNOLOGIES, INC. IN THE EVENT OF ANY DISSEMINATION OR SALE OF ANY INFORMATION OR SALE OF ANY INFORMATION WITHOUT WRITTEN PERMISSION.

**RASTER TECHNOLOGIES**

**RGPU**

001-1243-000

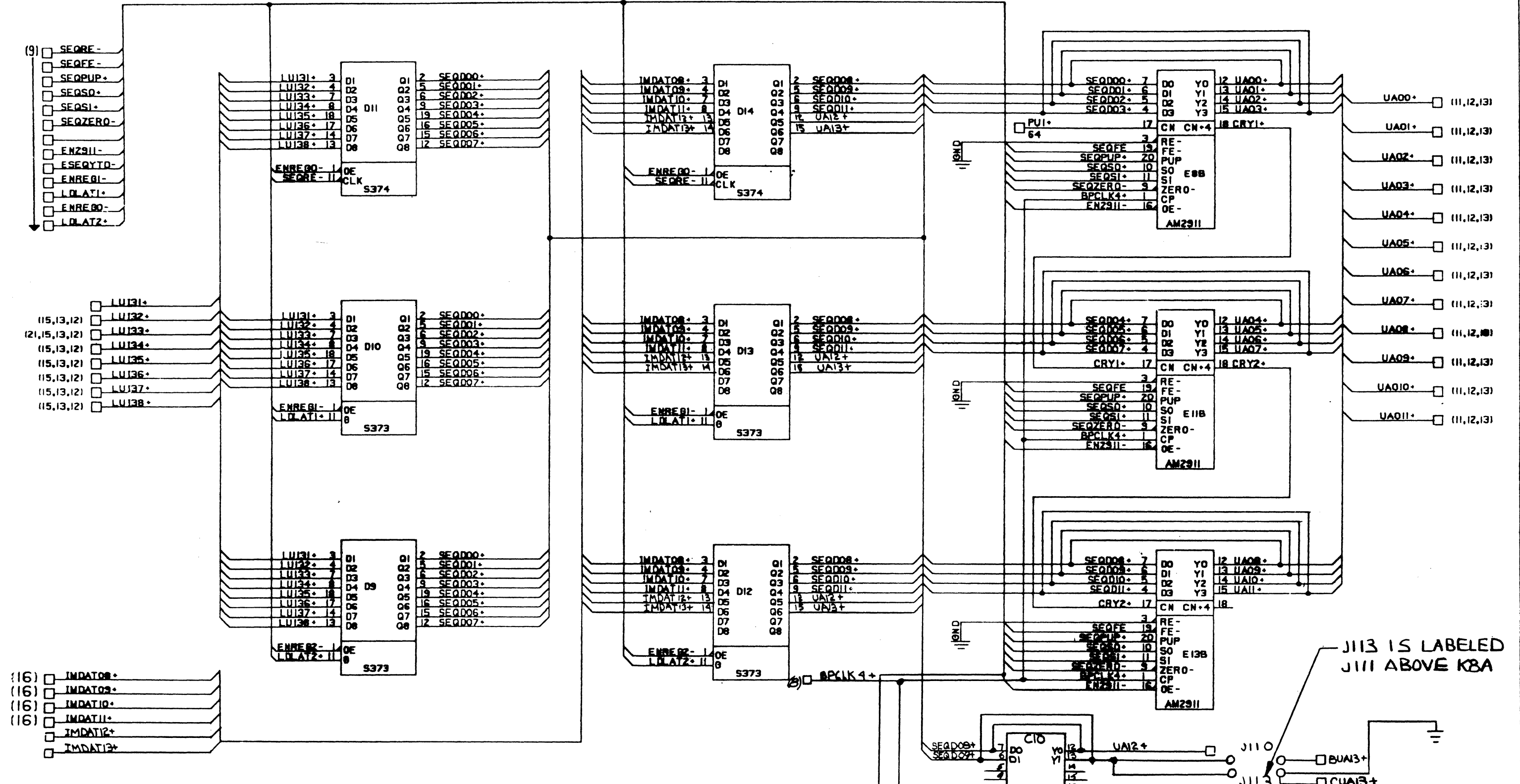


(17) 1ST DRAWING

006-12643-000

THESE DRAWINGS AND SPECIFICATIONS ARE THE PROPERTY OF RASTER TECHNOLOGIES INC. AND SHALL NOT BE REPRODUCED, COPIED, OR USED AS THE BASIS FOR THE MANUFACTURE OR SALE OF APPARATUS WITHOUT WRITTEN PERMISSION.	<b>RASTER TECHNOLOGIES</b>
	<b>RGPU</b>
	DRAWING NO. 006-12643-000

REVISIONS			
DATE	DESCRIPTION	DATE	APPROVED



J113 IS LABELED  
J111 ABOVE K8A

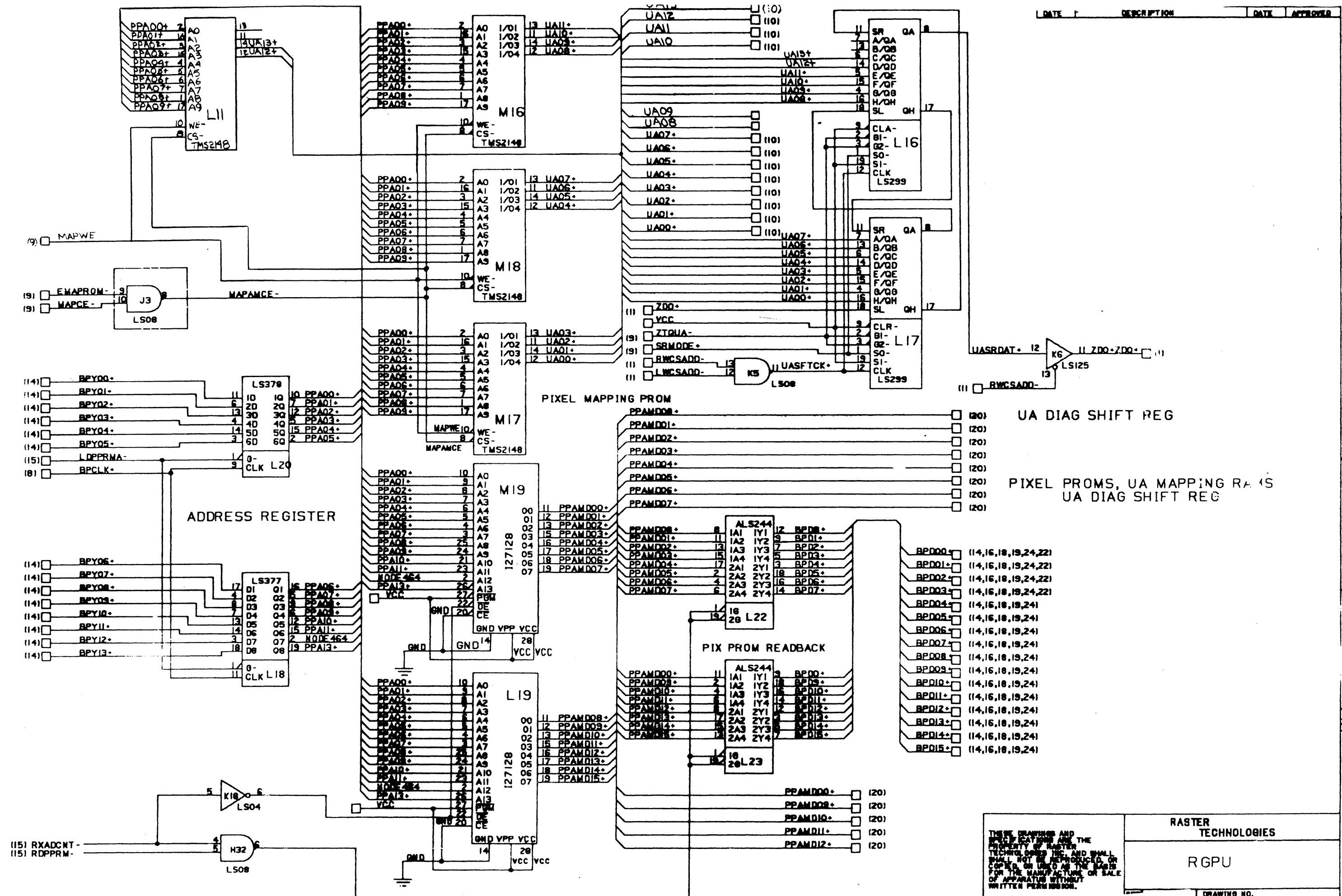
THESE DRAWINGS AND SPECIFICATIONS ARE THE PROPERTY OF RASTER TECHNOLOGIES INC. AND SHALL NOT BE REPRODUCED, COPIED, OR USED AS THE BASIS FOR THE MANUFACTURE OR SALE OF APPARATUS WITHOUT WRITTEN PERMISSION.

RASTER TECHNOLOGIES

RGPU

DRAWING NO. 006-12643-000

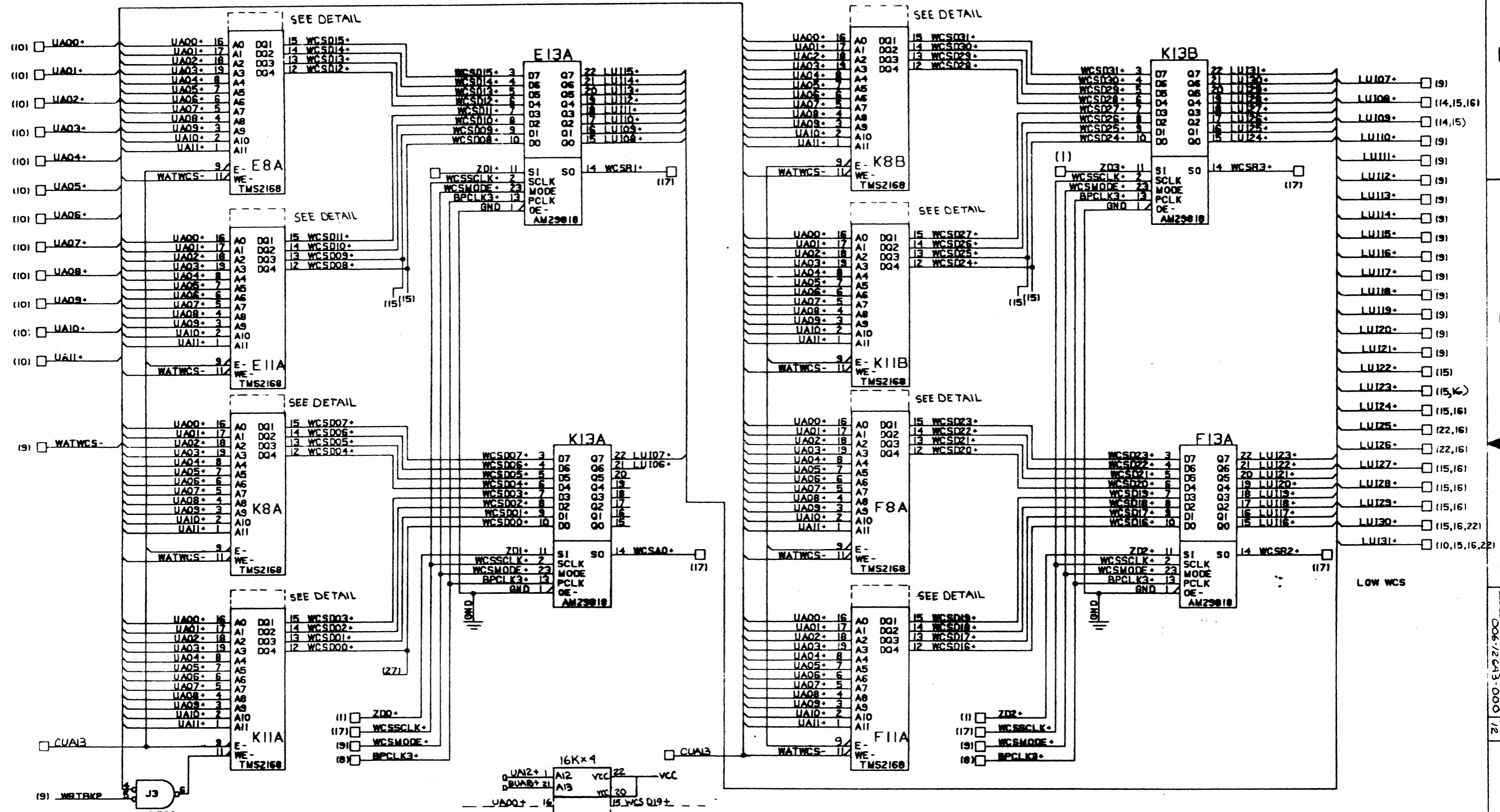
006-12643-000 10



UA DIAG SHIFT REG  
 PIXEL PROMS, UA MAPPING RA IS  
 UA DIAG SHIFT REG

THESE DRAWINGS AND SPECIFICATIONS ARE THE PROPERTY OF RASTER TECHNOLOGIES, INC. AND SHALL NOT BE REPRODUCED OR COPIED OR USED AS THE BASIS FOR THE MANUFACTURE OR SALE OF APPARATUS WITHOUT WRITTEN PERMISSION.	<b>RASTER TECHNOLOGIES</b> RGPU
	DRAWING NO. 006-12643-000

006-12643-000



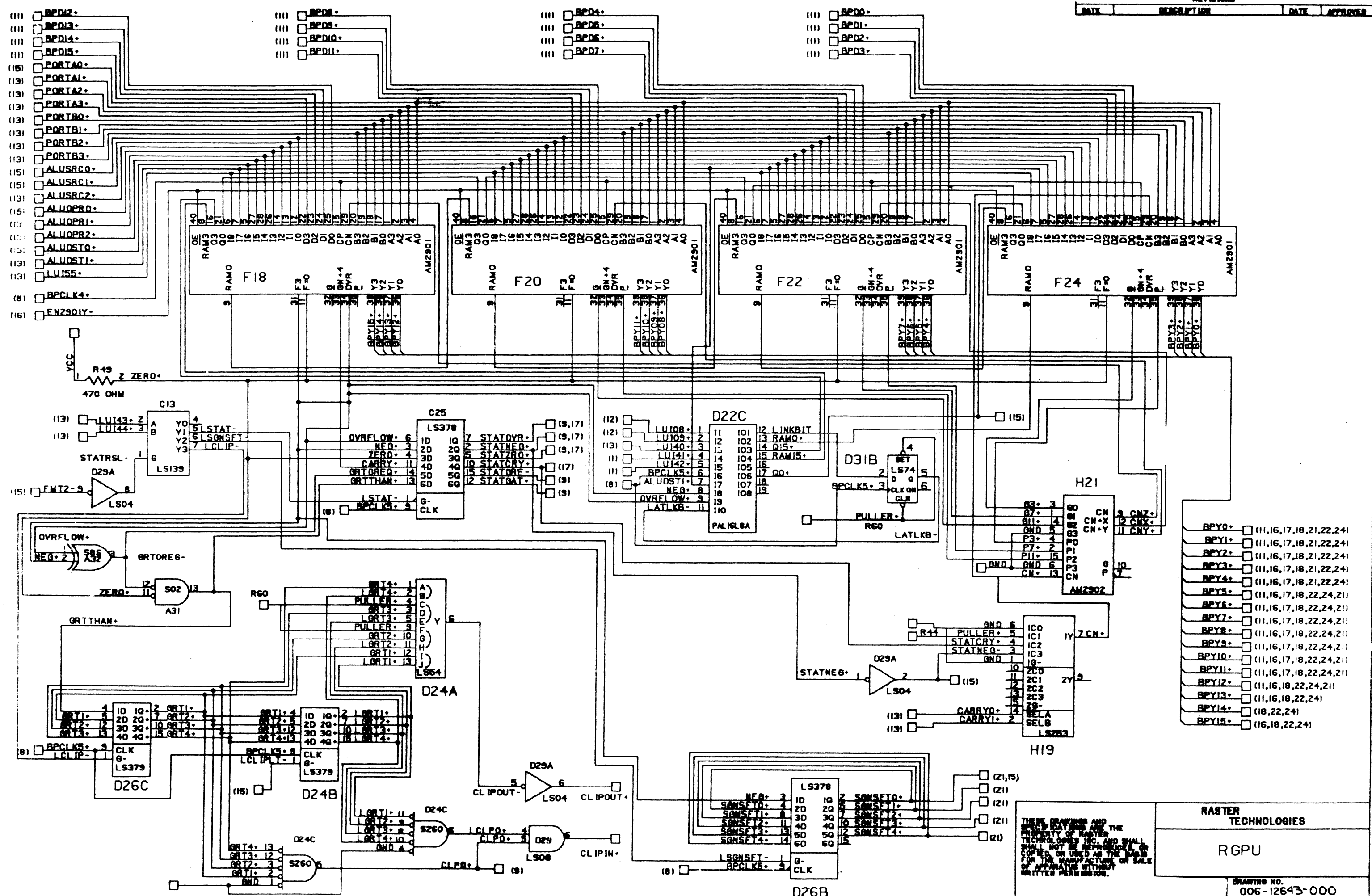
DETAIL  
FOR 16Kx4 ONLY

THESE DRAWINGS AND SPECIFICATIONS ARE THE PROPERTY OF RASTER TECHNOLOGIES INC. AND SHALL NOT BE REPRODUCED, OR COPIED, OR USED AS THE BASIS FOR THE MANUFACTURE OR SALE OF APPARATUS WITHOUT WRITTEN PERMISSION.	<b>RASTER TECHNOLOGIES</b>  <b>RGPU</b>
	DRAWING NO. <b>006-12643-000</b>

006-12643-000 1/2  
 SHEET 12 OF 30



DATE	DESCRIPTION	DATE	APPROVED

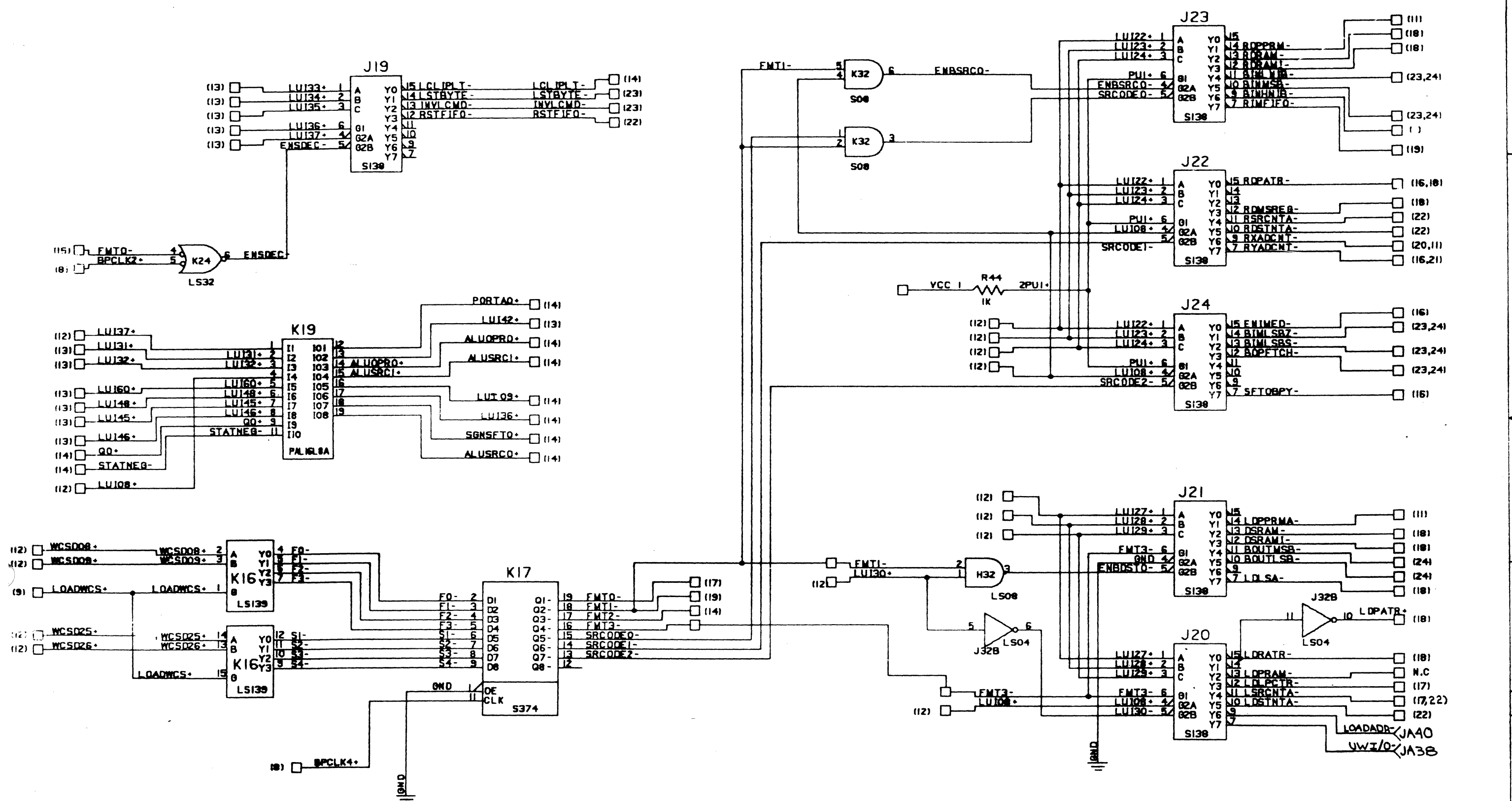


- BPY0- (11,16,17,18,21,22,24)
- BPY1- (11,16,17,18,21,22,24)
- BPY2- (11,16,17,18,21,22,24)
- BPY3- (11,16,17,18,21,22,24)
- BPY4- (11,16,17,18,21,22,24)
- BPY5- (11,16,17,18,22,24,21)
- BPY6- (11,16,17,18,22,24,21)
- BPY7- (11,16,17,18,22,24,21)
- BPY8- (11,16,17,18,22,24,21)
- BPY9- (11,16,17,18,22,24,21)
- BPY10- (11,16,17,18,22,24,21)
- BPY11- (11,16,17,18,22,24,21)
- BPY12- (11,16,18,22,24,21)
- BPY13- (11,16,18,22,24)
- BPY14- (18,22,24)
- BPY15- (16,18,22,24)

THESE DRAWINGS AND SPECIFICATIONS ARE THE PROPERTY OF RASTER TECHNOLOGIES INC. AND SHALL NOT BE REPRODUCED OR COPIED, OR USED AS THE BASIS FOR THE MANUFACTURE OR SALE OF APPARATUS WITHOUT WRITTEN PERMISSION.

**RASTER TECHNOLOGIES**  
**RGPU**

DATE	DESCRIPTION	DATE	APPROVED
------	-------------	------	----------



THESE DRAWINGS AND SPECIFICATIONS ARE THE PROPERTY OF RASTER TECHNOLOGIES INC. AND SHALL NOT BE REPRODUCED, OR COPIED, OR USED AS THE BASIS FOR THE MANUFACTURE OR SALE OF APPARATUS WITHOUT WRITTEN PERMISSION.

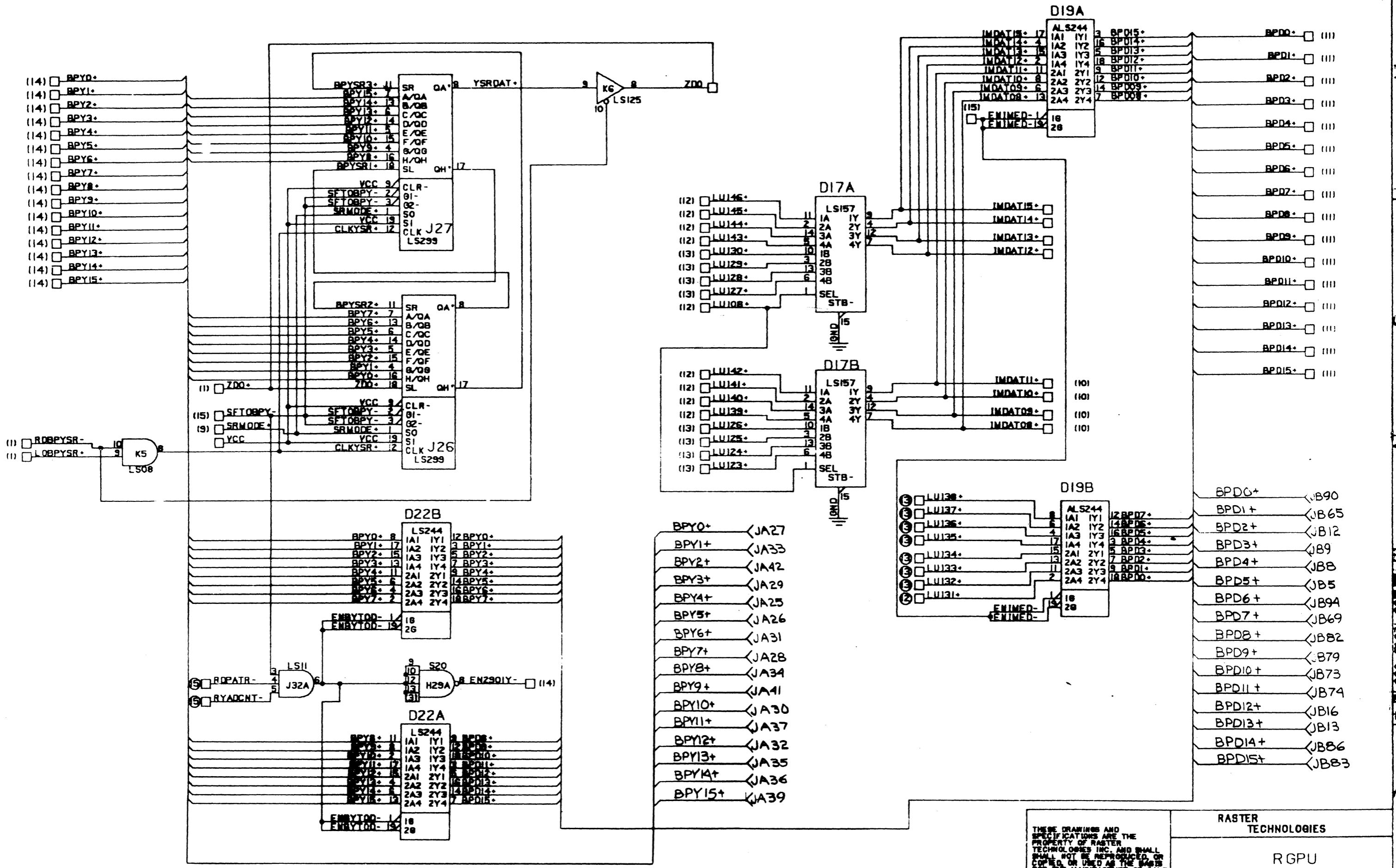
**RASTER TECHNOLOGIES**

**RGPU**

DRAWING NO. 006-12643-000

D  
C  
B  
A





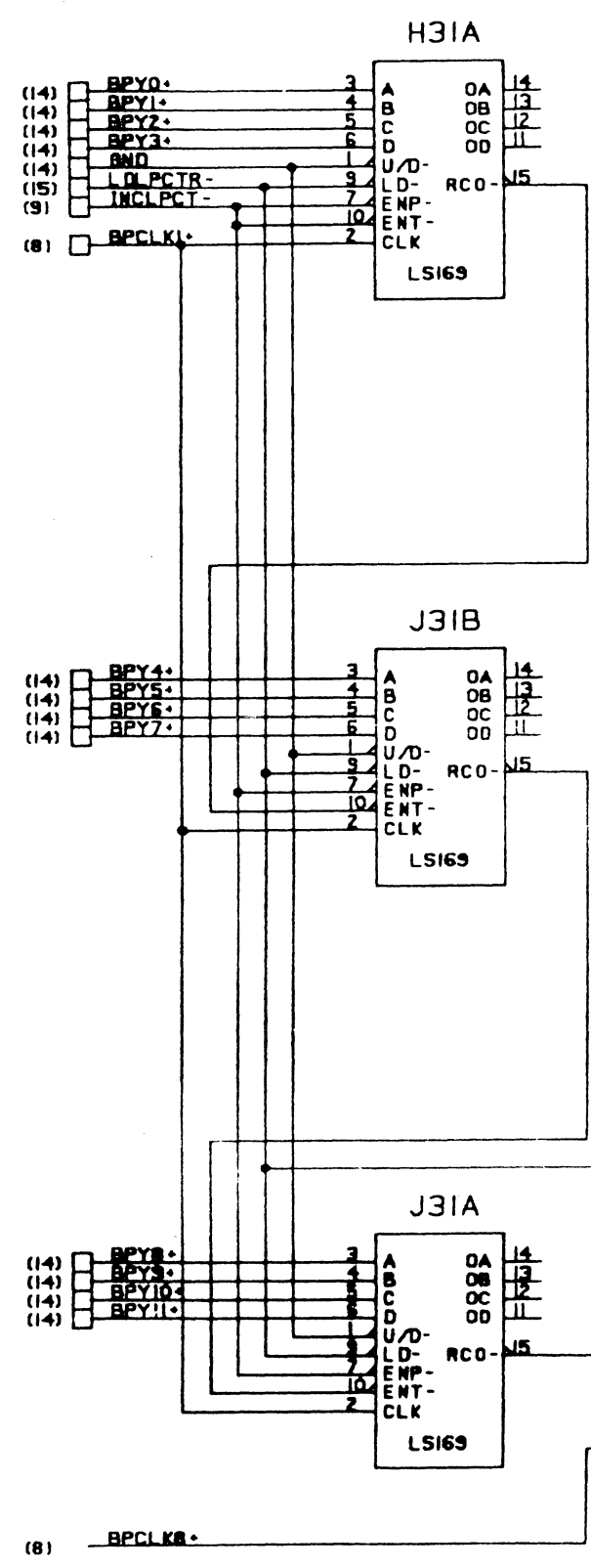
THESE DRAWINGS AND SPECIFICATIONS ARE THE PROPERTY OF RASTER TECHNOLOGIES INC. AND SHALL NOT BE REPRODUCED, OR COPIED, OR USED AS THE BASIS FOR THE MANUFACTURE OR SALE OF APPARATUS WITHOUT WRITTEN PERMISSION.

RASTER TECHNOLOGIES

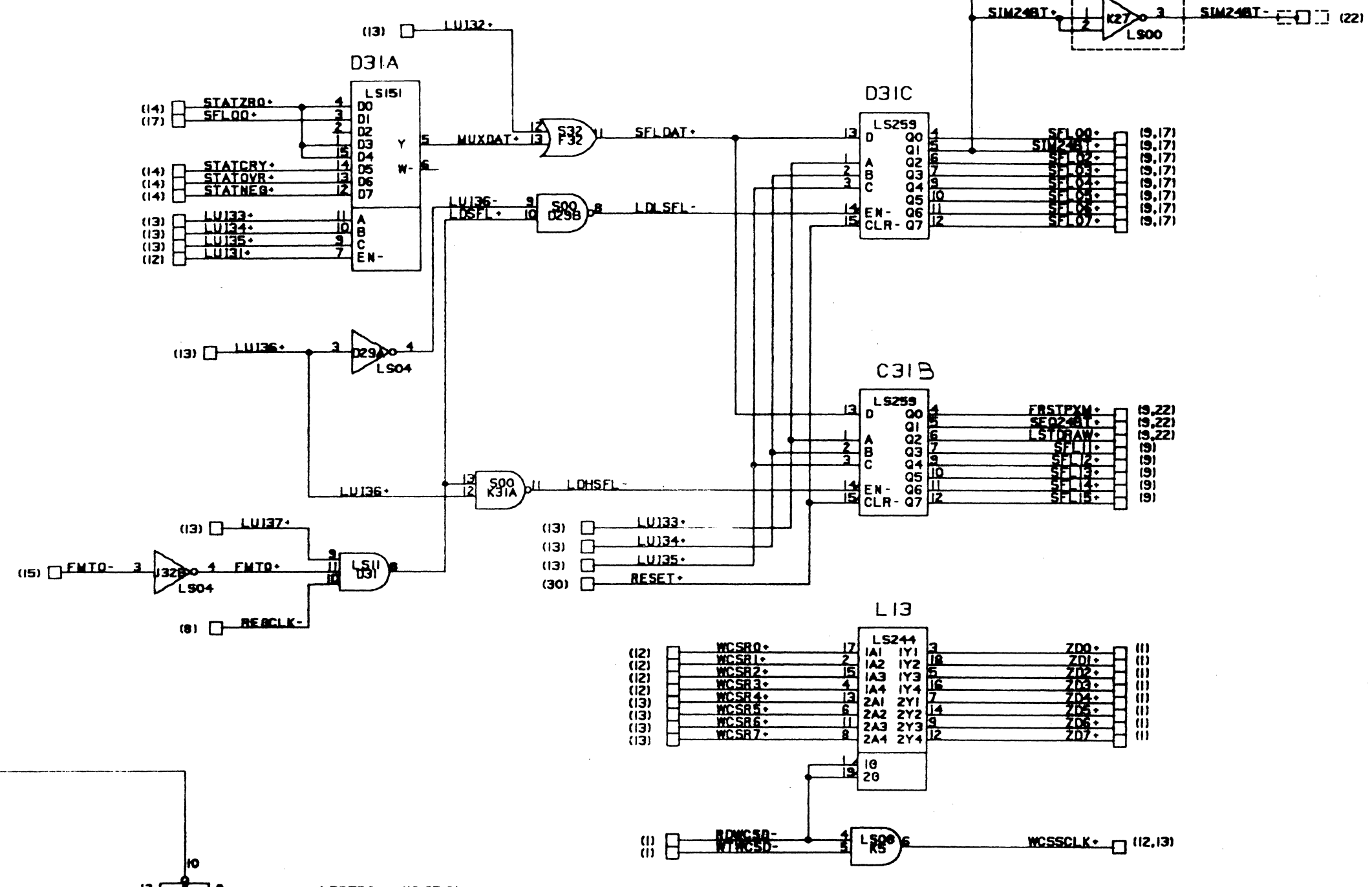
RGPU

DRAWING NO. 006-12643-000

LOOP COUNTER



SPECIAL FUNCTION LATCHES

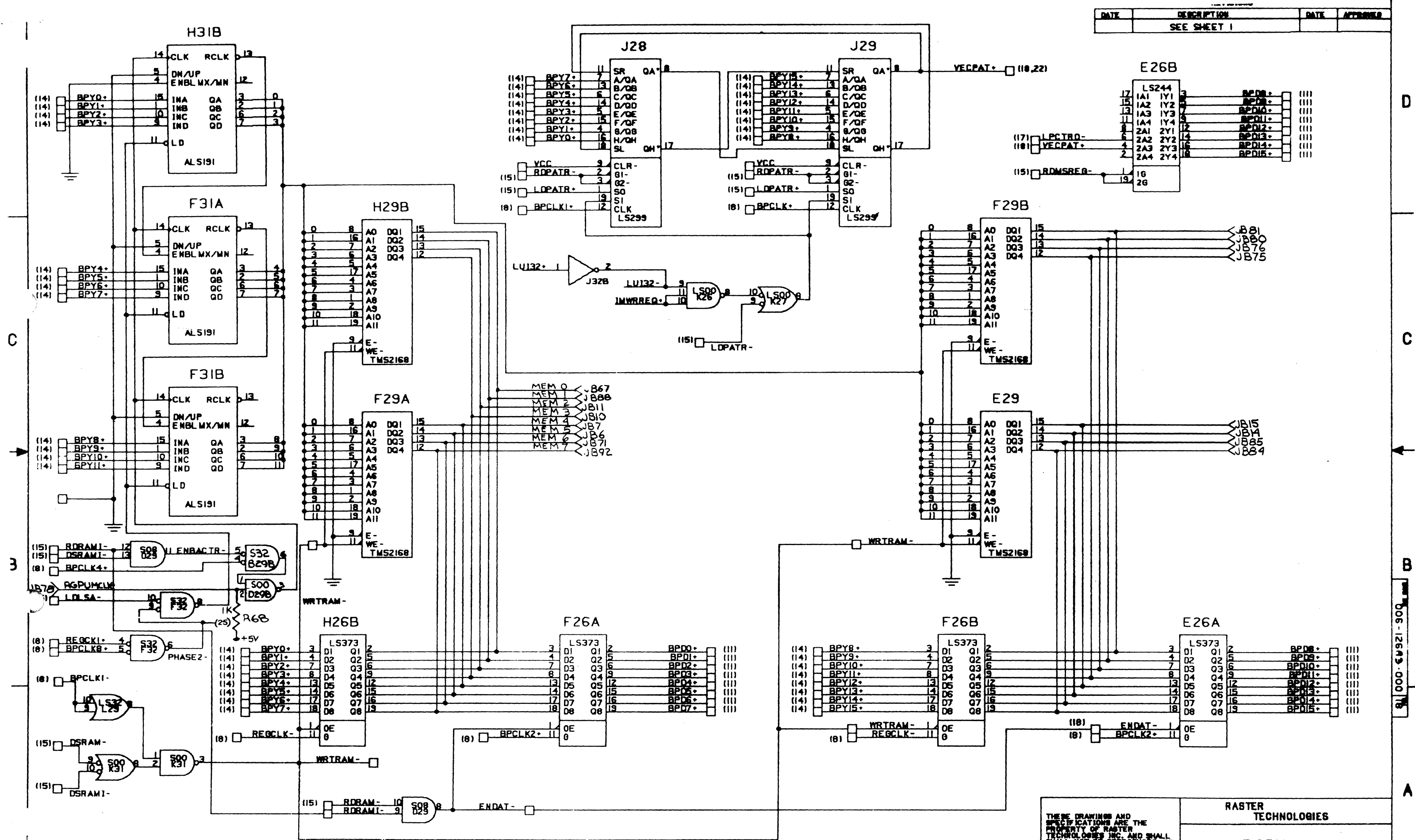


LOOP CNTR, SPECIAL LATCHES

THESE DRAWINGS AND SPECIFICATIONS ARE THE PROPERTY OF RASTER TECHNOLOGIES INC. AND SHALL NOT BE REPRODUCED OR COPIED OR USED AS THE BASIS FOR THE MANUFACTURE OR SALE OF APPARATUS WITHOUT WRITTEN PERMISSION.	<b>RASTER TECHNOLOGIES</b>
	<b>RGPU</b>
DRAWING NO. 006-12643-000	
SHEET 17 OF 30	

006-12643-000 17

DATE	DESCRIPTION	DATE	APPROVED
	SEE SHEET 1		



C

D

C

B

A

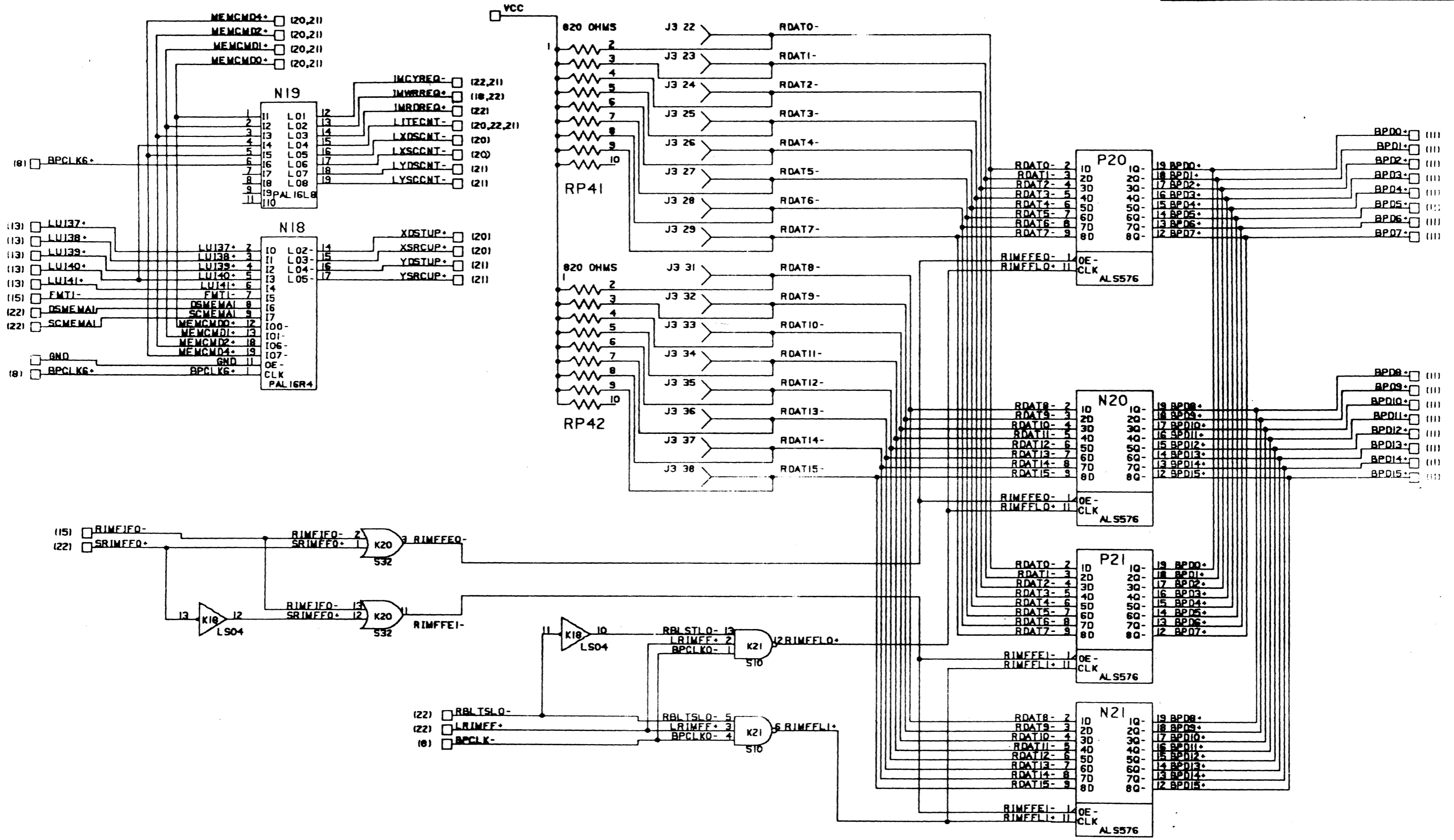
THESE DRAWINGS AND SPECIFICATIONS ARE THE PROPERTY OF RASTER TECHNOLOGIES INC. AND SHALL NOT BE REPRODUCED OR COPIED OR USED AS THE BASIS FOR THE MANUFACTURE OR SALE OF APPARATUS WITHOUT WRITTEN PERMISSION.

**RASTER TECHNOLOGIES**

**RGPU**

DRAWING NO.  
006-12643-000 18

REVISIONS			
DATE	DESCRIPTION	DATE	APPROVED



THESE DRAWINGS AND SPECIFICATIONS ARE THE PROPERTY OF RASTER TECHNOLOGIES INC. AND SHALL NOT BE REPRODUCED, OR COPIED, OR USED AS THE BASIS FOR THE MANUFACTURE OR SALE OF APPARATUS WITHOUT WRITTEN PERMISSION.

**RASTER TECHNOLOGIES**

RGPU

DRAWING NO.  
006-12643-000

DRAWING NO. 006-12643-000

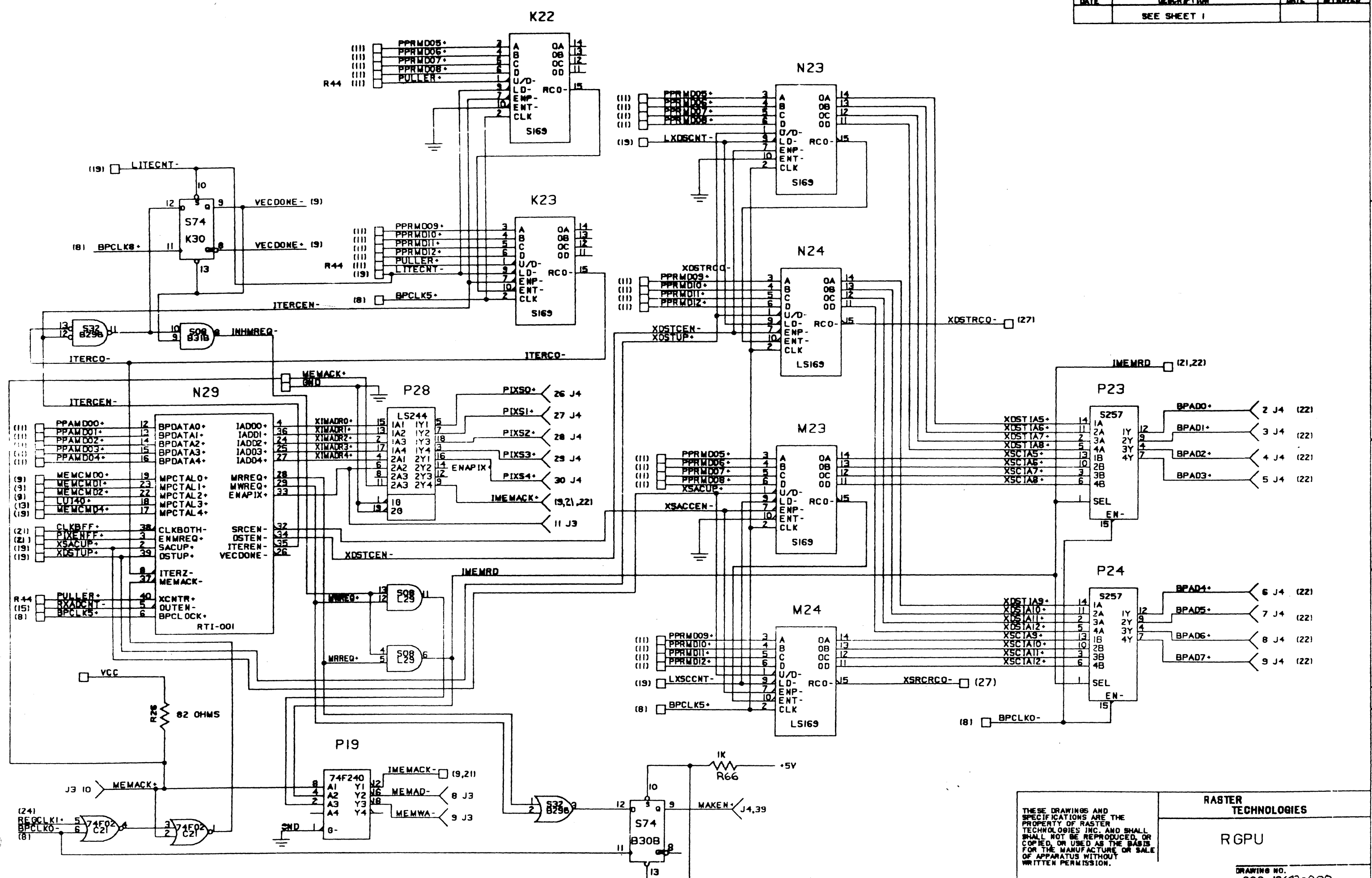
DATE	DESCRIPTION	DATE	APPROVED
	SEE SHEET 1		

D

C

B

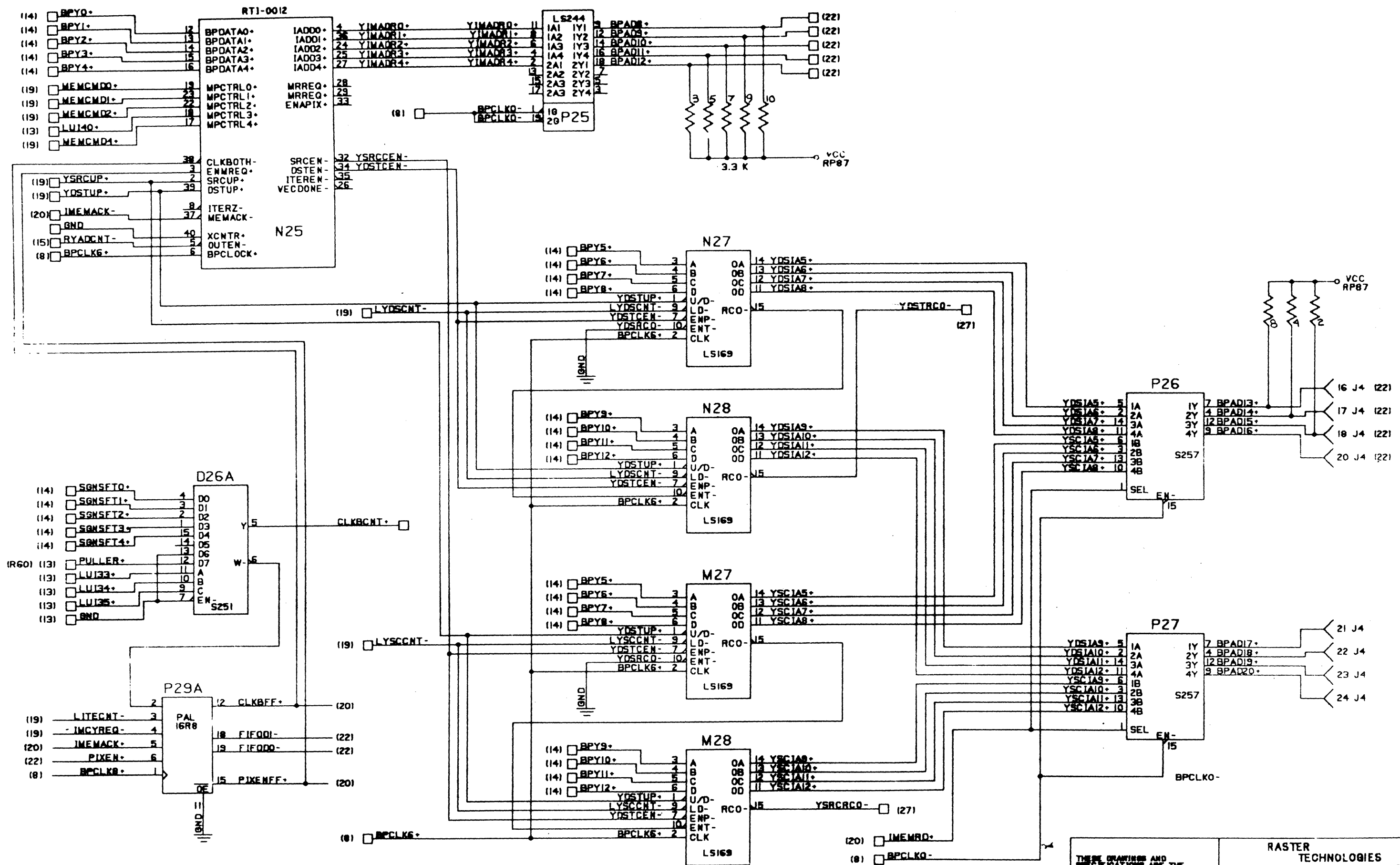
A



006-12643-000

<p>THESE DRAWINGS AND SPECIFICATIONS ARE THE PROPERTY OF RASTER TECHNOLOGIES, INC. AND SHALL NOT BE REPRODUCED, OR COPIED, OR USED AS THE BASIS FOR THE MANUFACTURE OR SALE OF APPARATUS WITHOUT WRITTEN PERMISSION.</p>	<p><b>RASTER TECHNOLOGIES</b></p>
	<p><b>RGPU</b></p>
<p>DRAWING NO. 006-12643-000</p>	

REVISIONS			
DATE	DESCRIPTION	DATE	APPROVED



THESE DRAWINGS AND SPECIFICATIONS ARE THE PROPERTY OF RASTER TECHNOLOGIES INC. AND SHALL NOT BE REPRODUCED OR COPIED OR USED AS THE BASIS FOR THE MANUFACTURE OR SALE OF APPARATUS WITHOUT WRITTEN PERMISSION.

RASTER TECHNOLOGIES  
RGPU  
DRAWING NO.

U

C

B

A

C

C

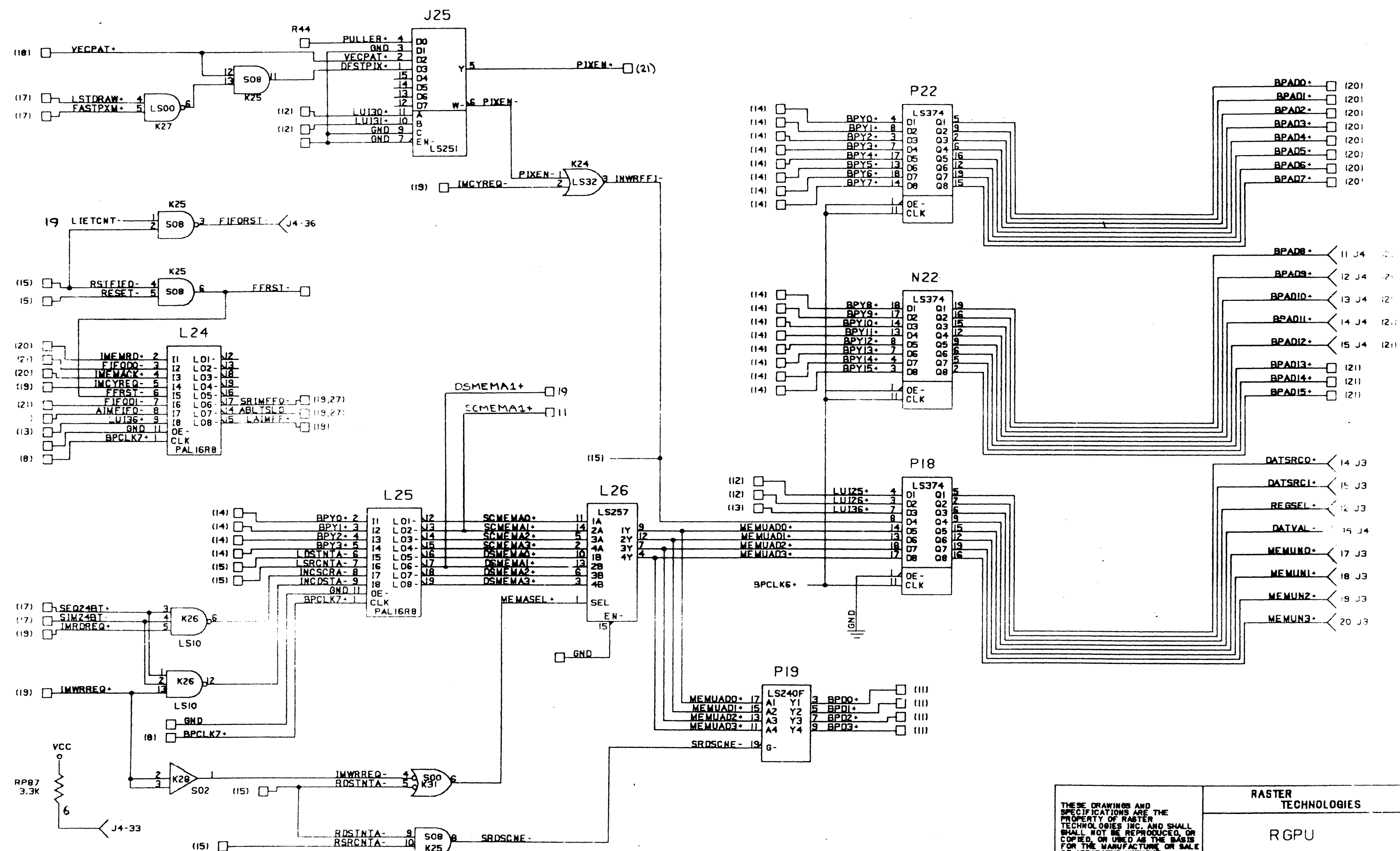
B

A

006-12643-000

REVISIONS			
DATE	DESCRIPTION	DATE	APPROVED

D  
C  
B  
A



THESE DRAWINGS AND SPECIFICATIONS ARE THE PROPERTY OF RASTER TECHNOLOGIES INC. AND SHALL NOT BE REPRODUCED OR COPIED, OR USED AS THE BASIS FOR THE MANUFACTURE OR SALE OF APPARATUS WITHOUT WRITTEN PERMISSION.

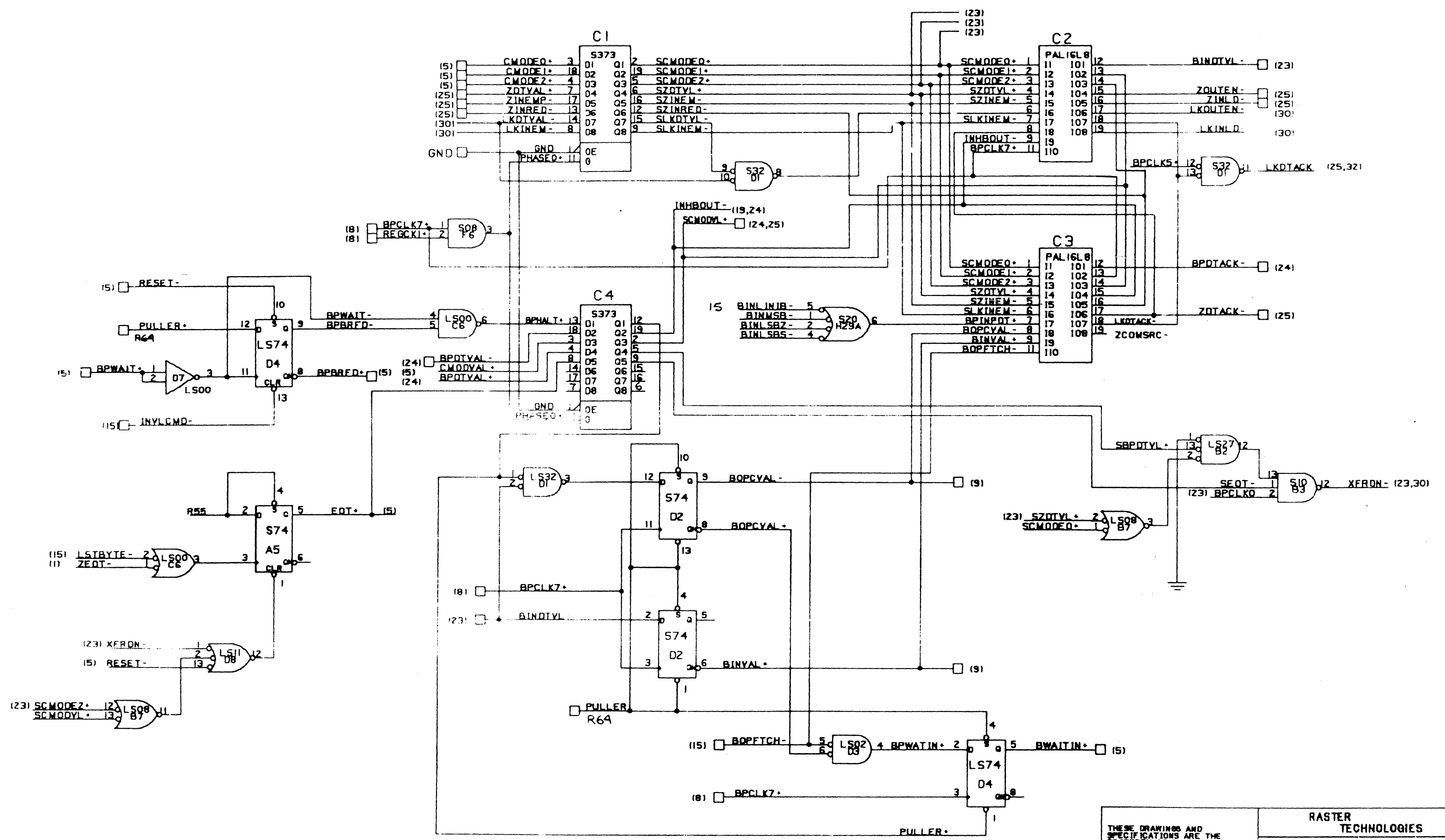
**RASTER TECHNOLOGIES**

RGPU

DRAWING NO.  
006-12643-000

006-12643-000

REVISIONS			
DATE	DESCRIPTION	DATE	APPROVED
	SEE SHEET 1		



THESE DRAWINGS AND SPECIFICATIONS ARE THE PROPERTY OF RASTER TECHNOLOGIES INC. AND SHALL NOT BE REPRODUCED, OR COPIED, OR USED AS THE BASIS FOR THE MANUFACTURE OR SALE OF APPARATUS WITHOUT WRITTEN PERMISSION.

**RASTER TECHNOLOGIES**

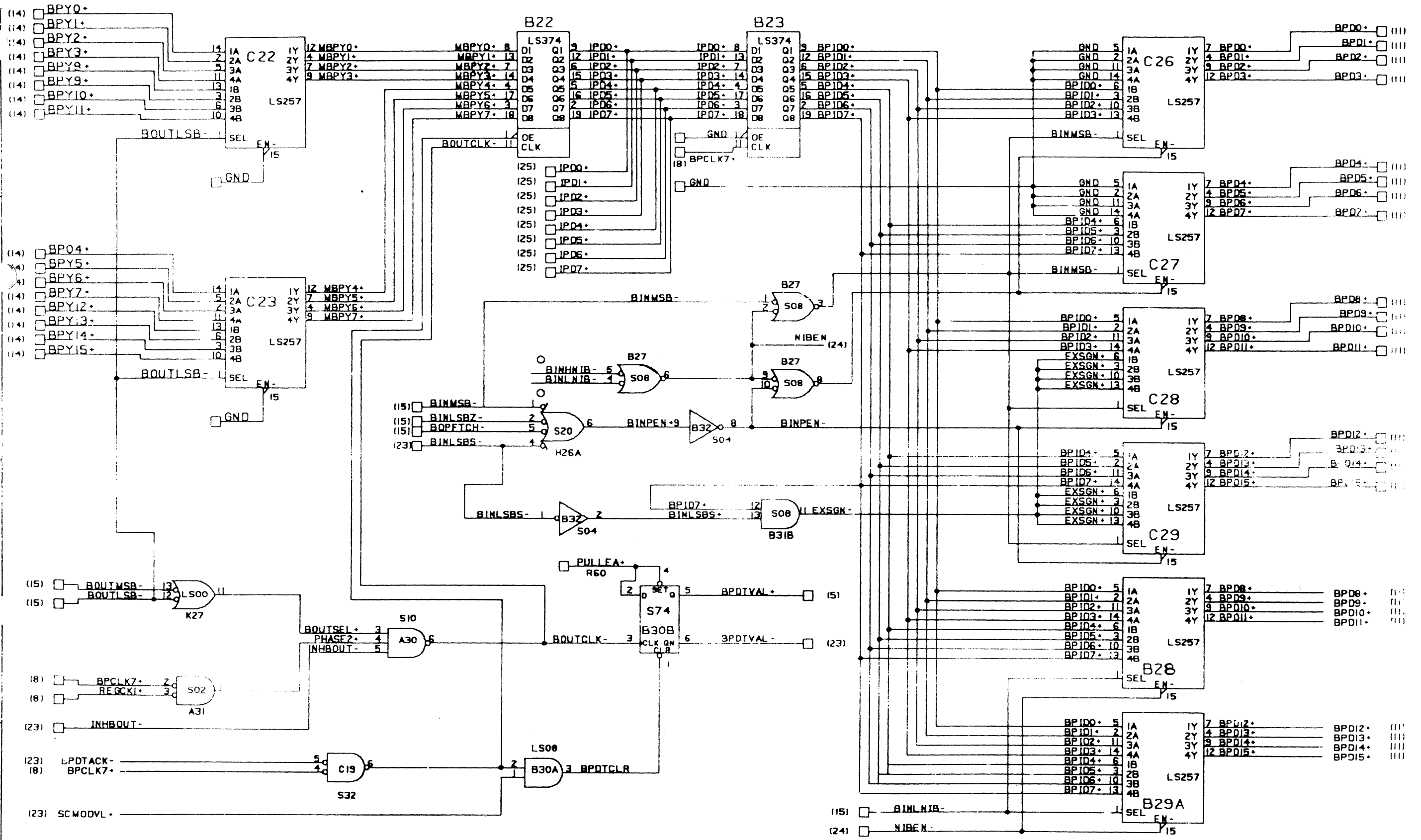
R GPU

DRAWING NO. 006-12643-000

006-12643-000 23



REVISIONS			
DATE	DESCRIPTION	DATE	APPROVED

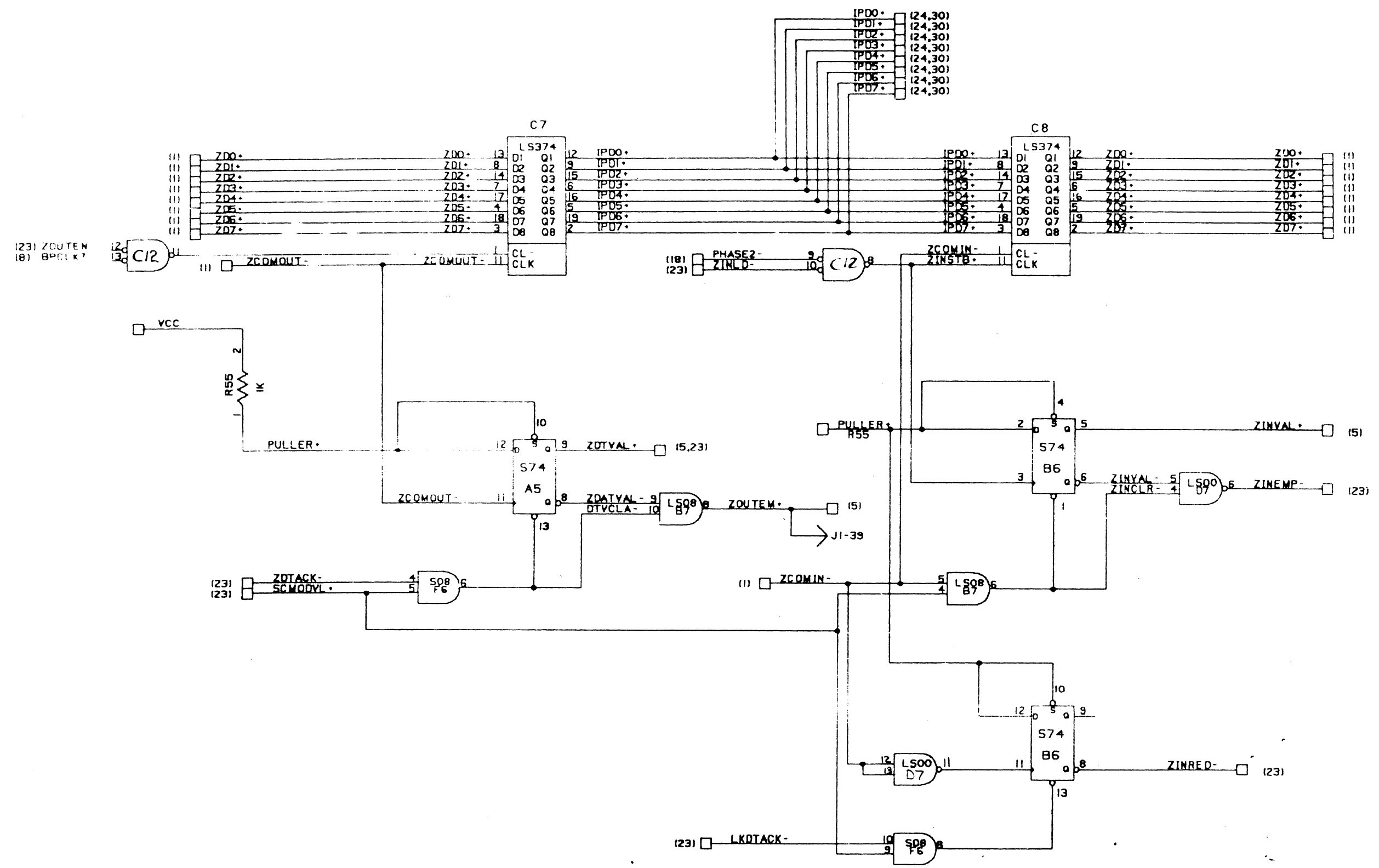


THESE DRAWINGS AND SPECIFICATIONS ARE THE PROPERTY OF RASTER TECHNOLOGIES INC. AND SHALL NOT BE REPRODUCED, COPIED, OR USED AS THE BASIS FOR THE MANUFACTURE OR SALE OF APPARATUS WITHOUT WRITTEN PERMISSION.

RASTER TECHNOLOGIES  
RGPU  
DRAWING NO. 006-12673-000

006-12673-000 24

REVISIONS			
DATE	DESCRIPTION	DATE	APPROVED



THESE DRAWINGS AND SPECIFICATIONS ARE THE PROPERTY OF RASTER TECHNOLOGIES INC. AND SHALL NOT BE REPRODUCED, OR COPIED, OR USED AS THE BASIS FOR THE MANUFACTURE OR SALE OF APPARATUS WITHOUT WRITTEN PERMISSION.

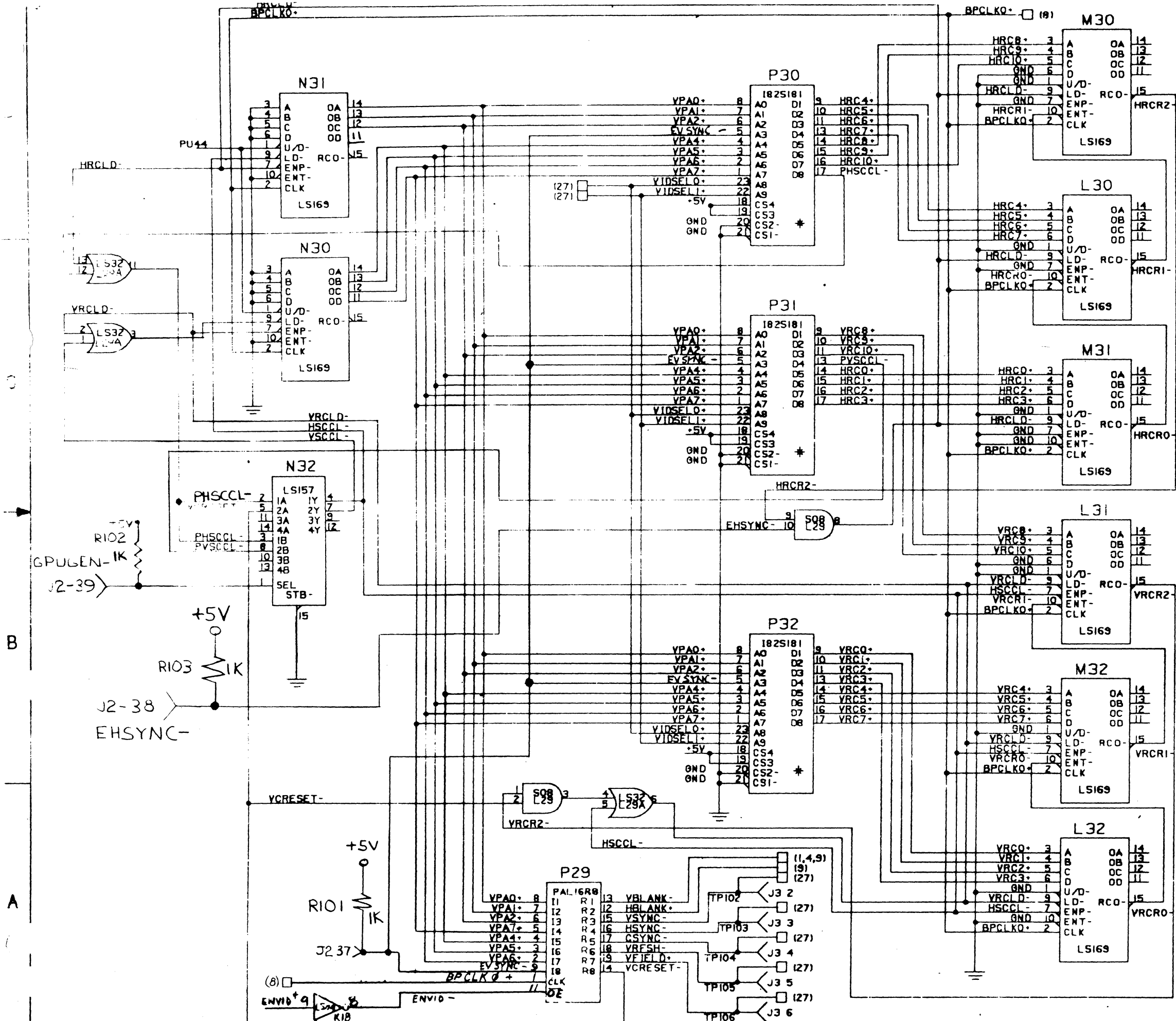
RASTER TECHNOLOGIES

HAWK GPU

DRAWING NO. 006-12643-000

DRAWING NO. 006-12643-001 25

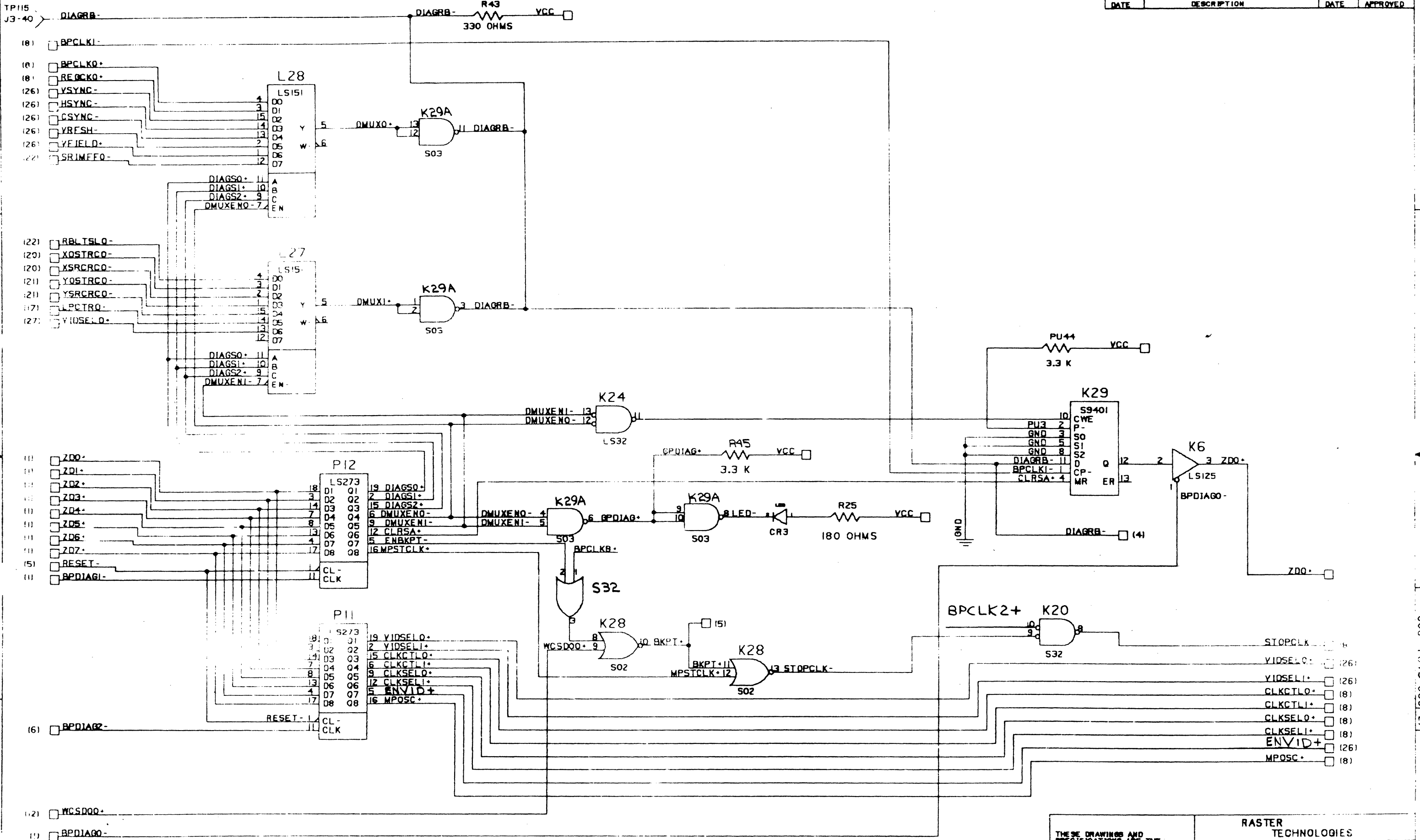
REVISIONS			
DATE	DESCRIPTION	DATE	APPROVED
	SEE SHEET 1		



\* = .300 WIDE 24 PIN

THESE DRAWINGS AND SPECIFICATIONS ARE THE PROPERTY OF RASTER TECHNOLOGIES INC. AND SHALL NOT BE REPRODUCED, OR COPIED, OR USED AS THE BASIS FOR THE MANUFACTURE OR SALE OF APPARATUS WITHOUT WRITTEN PERMISSION.	RASTER TECHNOLOGIES
	RGPU
DRAWING NO. 006-12643-000	

REVISIONS			
DATE	DESCRIPTION	DATE	APPROVED

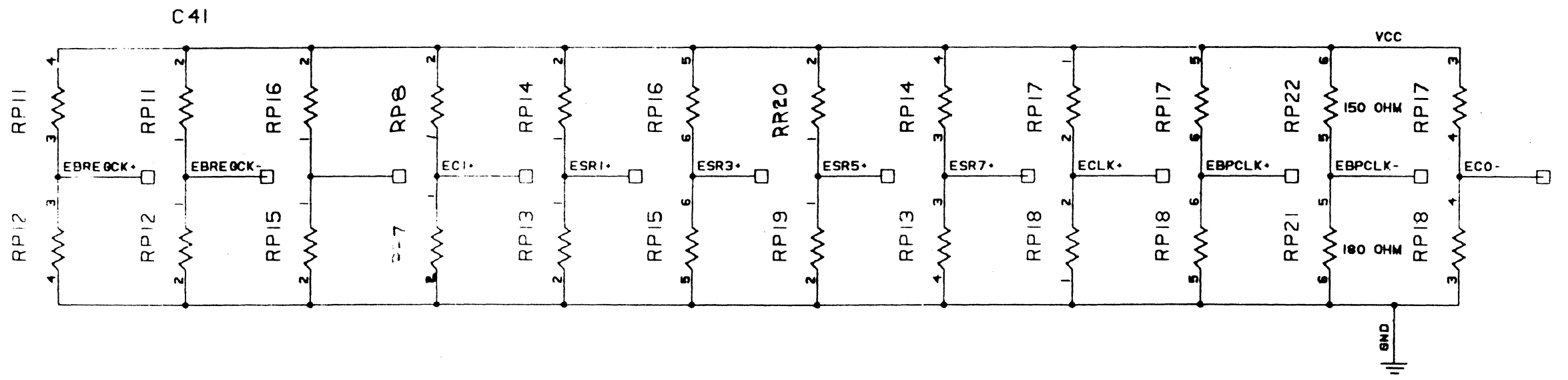
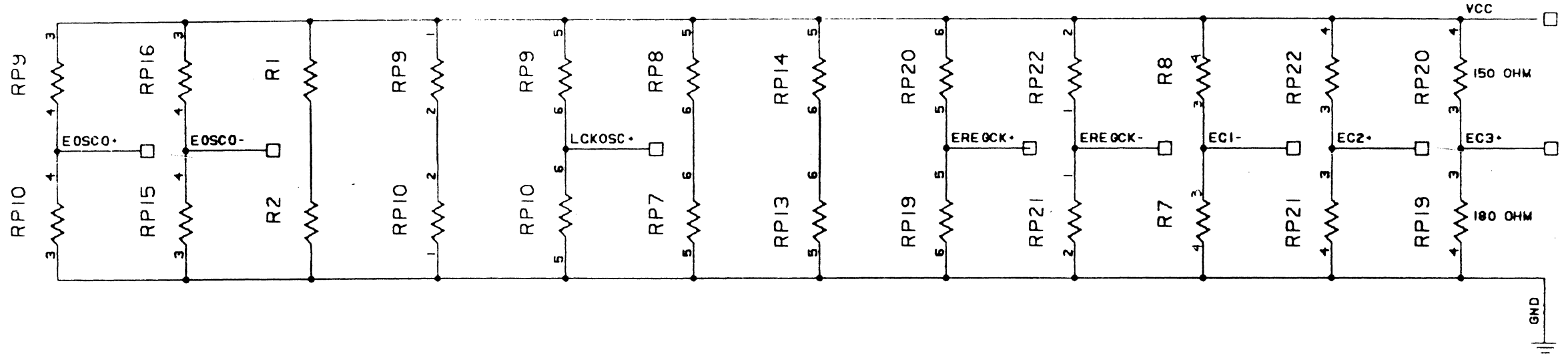


THESE DRAWINGS AND SPECIFICATIONS ARE THE PROPERTY OF RASTER TECHNOLOGIES INC. AND SHALL NOT BE REPRODUCED, OR COPIED, OR USED AS THE BASIS FOR THE MANUFACTURE OR SALE OF APPARATUS WITHOUT WRITTEN PERMISSION.

RASTER TECHNOLOGIES  
HAWK GPU  
DRAWING NO.

006 643-000 27

REVISIONS			
DATE	DESCRIPTION	DATE	APPROVED



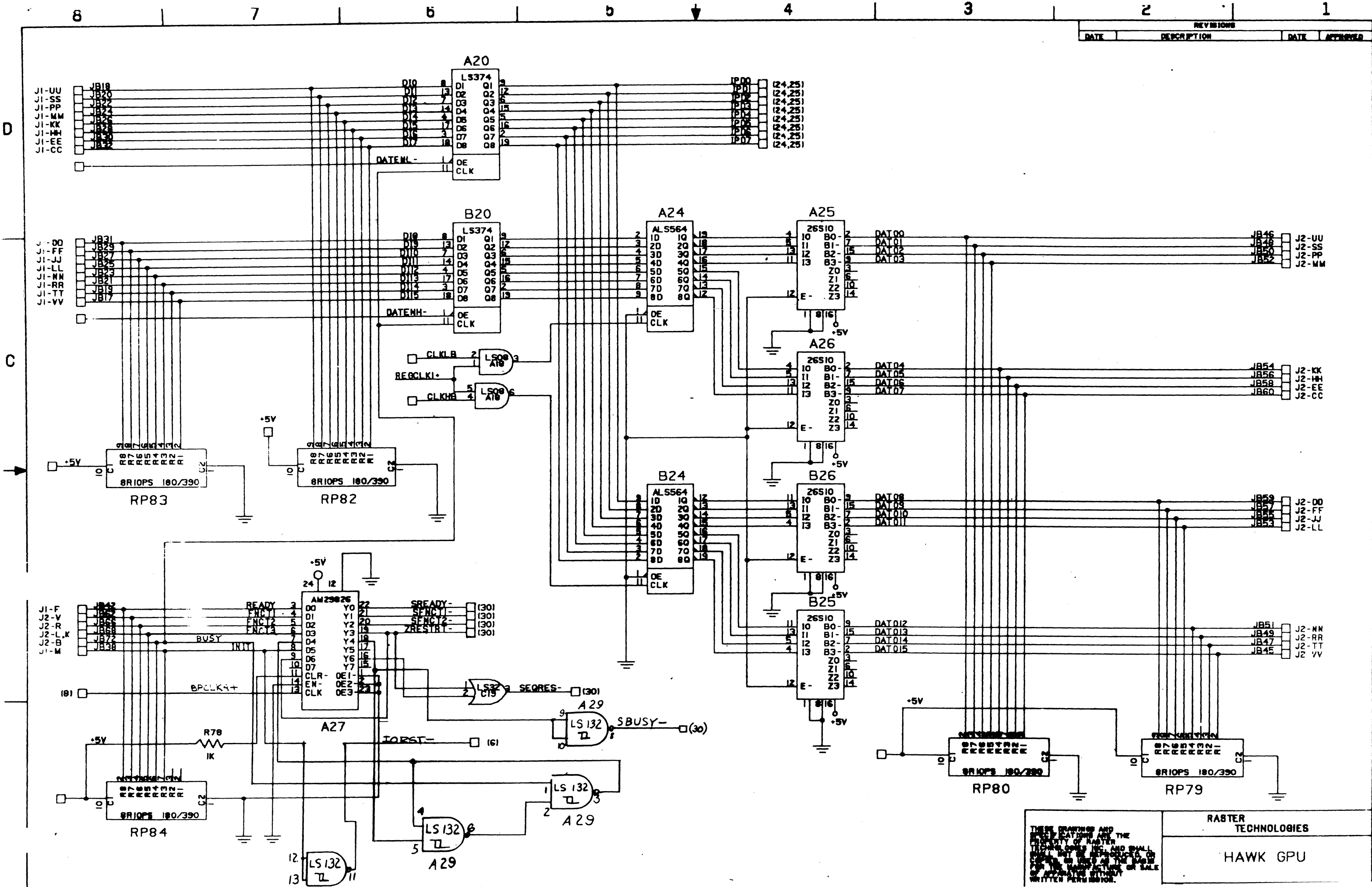
C41

D  
C  
B  
A

82 000-000-34921-900

<p>THESE DRAWINGS AND SPECIFICATIONS ARE THE PROPERTY OF RASTER TECHNOLOGIES INC. AND SHALL NOT BE REPRODUCED, OR COPIED, OR USED AS THE BASIS FOR THE MANUFACTURE OR SALE OF APPARATUS WITHOUT WRITTEN PERMISSION.</p>	<p>RASTER TECHNOLOGIES</p>
	<p>RGPU</p>

REVISIONS			
DATE	DESCRIPTION	DATE	APPROVED

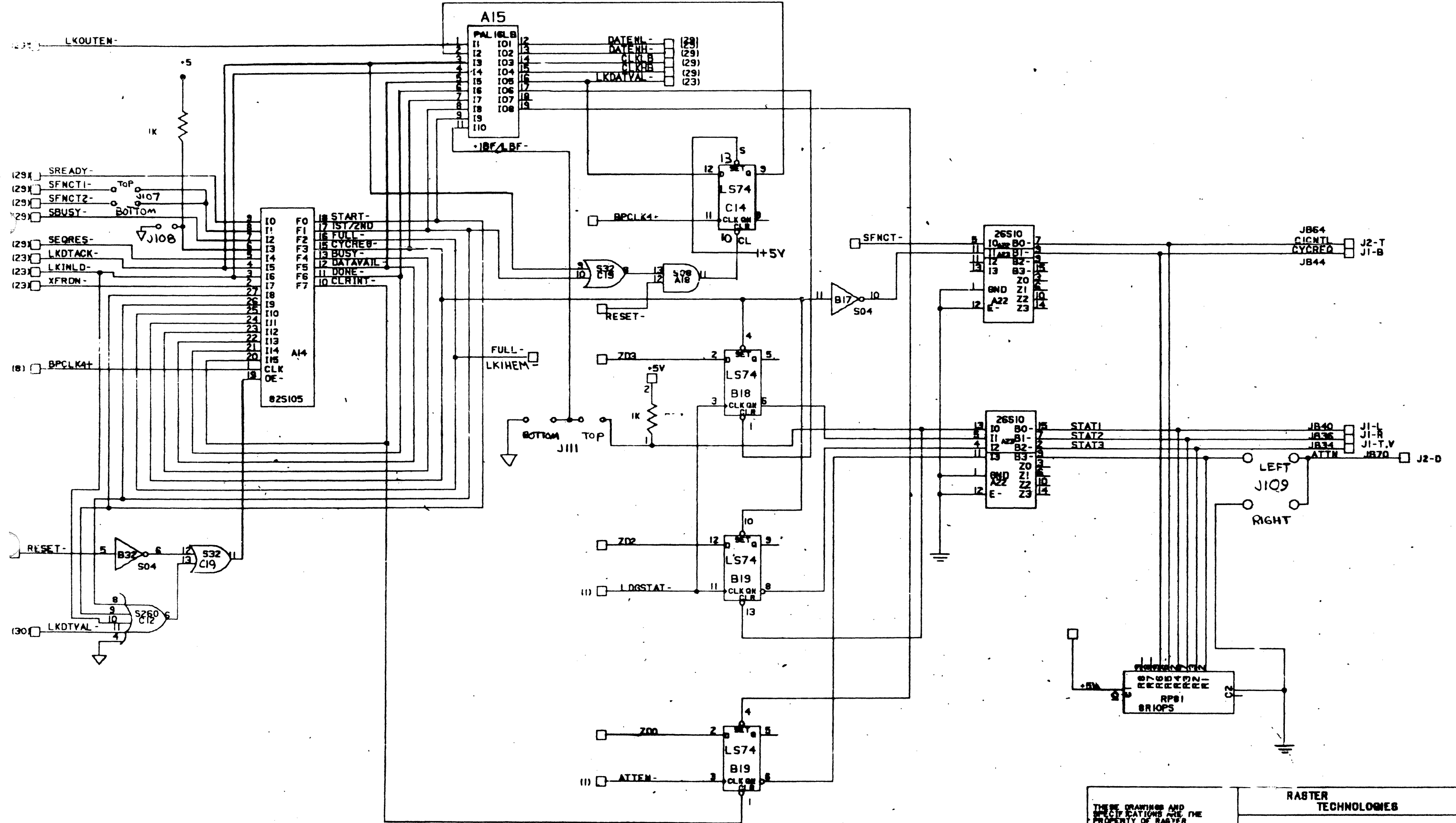


THESE DRAWINGS AND THE INFORMATION AND THE PROPERTY OF RASTER TECHNOLOGIES, INC. AND SHALL NOT BE LOANED, REPRODUCED, COPIED, OR IN ANY MANNER DISCLOSED OR USED FOR THE PROMOTION OR SALE OF ANY PRODUCT WITHOUT WRITTEN PERMISSION.

RASTER TECHNOLOGIES  
HAWK GPU

006-12643-000 29

REVISIONS			
DATE	DESCRIPTION	DATE	APPROVED
	SEE SHEET 1		



THESE DRAWINGS AND SPECIFICATIONS ARE THE PROPERTY OF RASTER TECHNOLOGIES INC. AND SHALL NOT BE REPRODUCED, OR COPIED, OR USED AS THE BASIS FOR THE MANUFACTURE OR SALE OF APPARATUS WITHOUT WRITTEN PERMISSION.

RASTER TECHNOLOGIES  
RGPU

DRAWING NO. 006-12643-000