

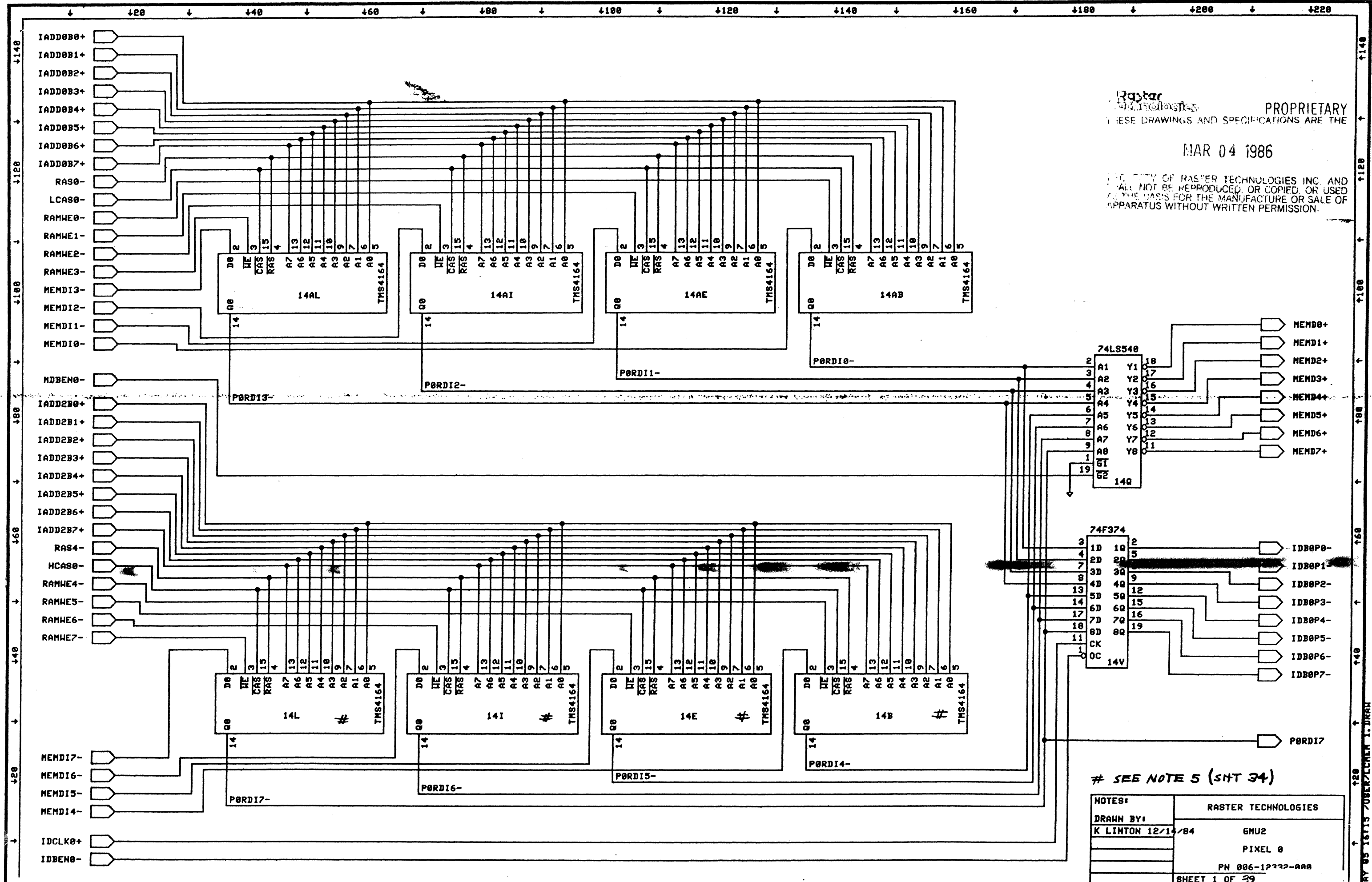
GMU2

Drawing # 006-12332-000

Raster Technologies PROPRIETARY  
 THESE DRAWINGS AND SPECIFICATIONS ARE THE

MAR 04 1986

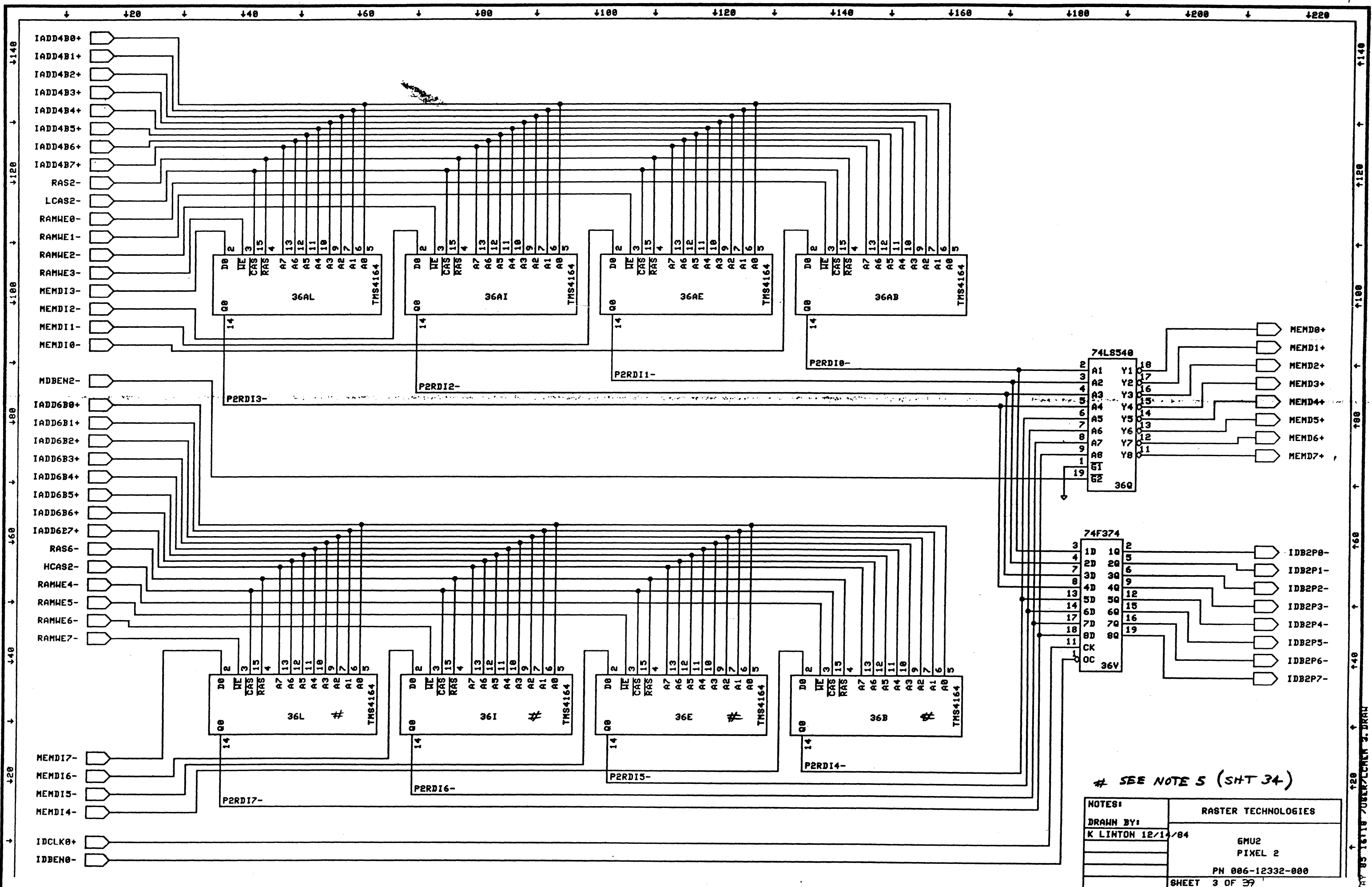
PROPERTY OF RASTER TECHNOLOGIES INC. AND  
 SHALL NOT BE REPRODUCED, OR COPIED, OR USED  
 AS THE BASIS FOR THE MANUFACTURE OR SALE OF  
 APPARATUS WITHOUT WRITTEN PERMISSION.



# SEE NOTE 5 (SHT 34)

NOTES:	RASTER TECHNOLOGIES
DRAWN BY:	GMU2
K LINTON 12/14/84	PIXEL 8
	PN 886-12332-AAA
	SHEET 1 OF 39

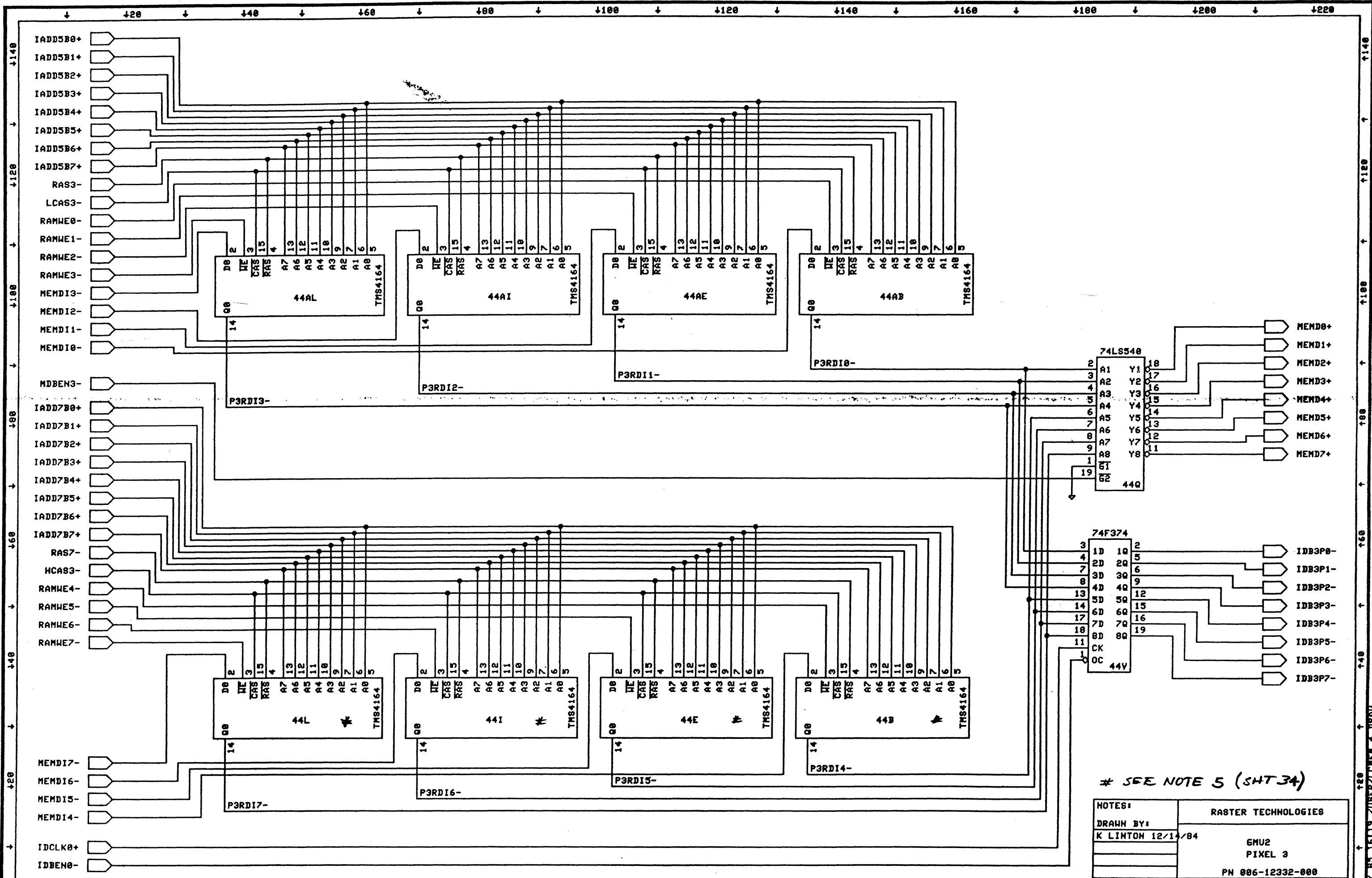
MAY 85 16115 705ER/CCHEN 1. DRAM



# SEE NOTE 5 (SHT 34)

NOTES:	RASTER TECHNOLOGIES
DRAWN BY:	GMU2
K LINTON 12/14/84	PIXEL 2
	PN 006-12332-000
	SHEET 3 OF 39

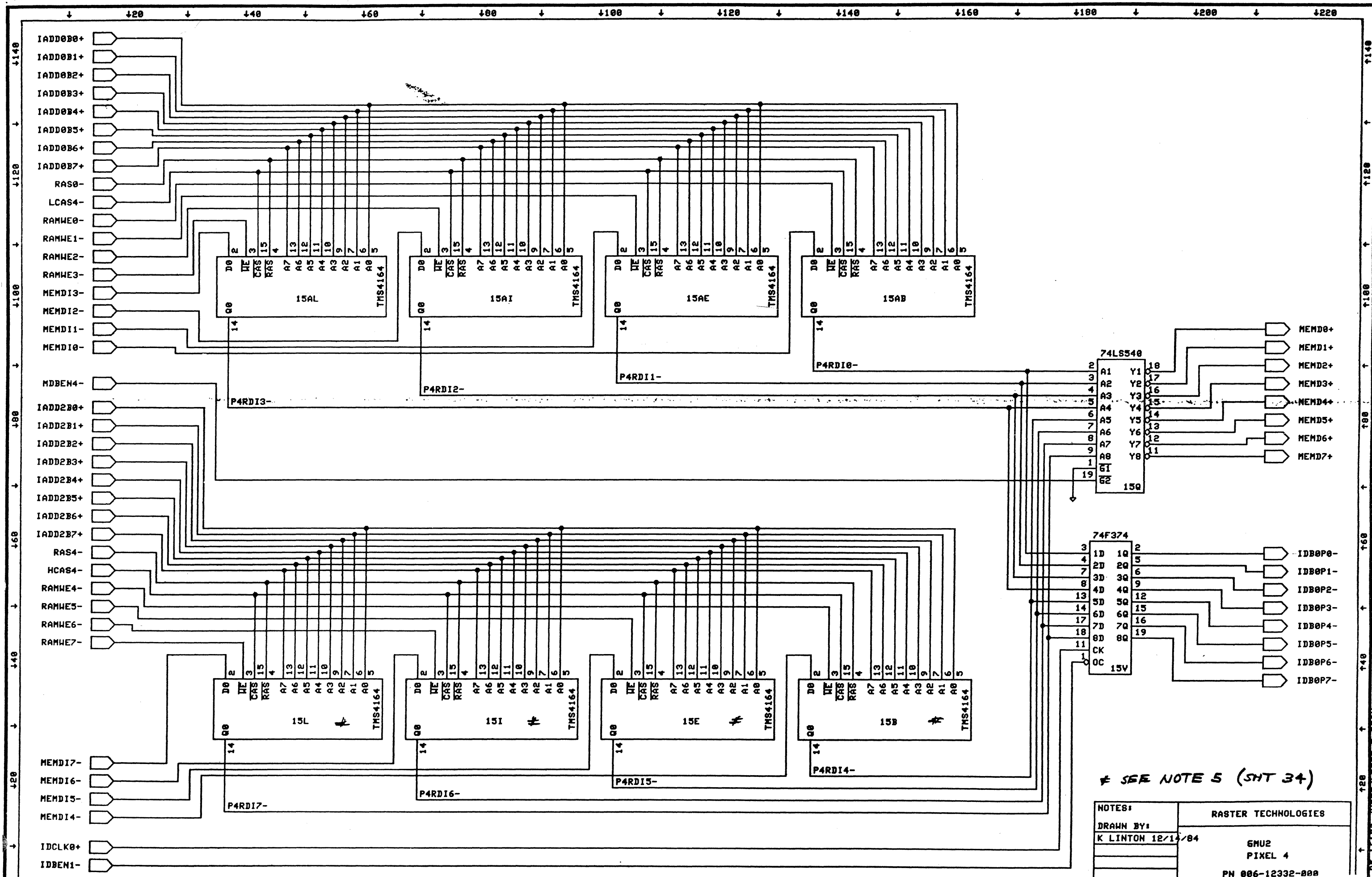
RAY 85 16118 708K/2/CHEN 2.DRAW



\* SEE NOTE 5 (SHT 34)

NOTES:	RASTER TECHNOLOGIES
DRAWN BY:	GMU2
K LINTON 12/14/84	PIXEL 3
	PN 006-12332-000
	SHEET 4 OF 39

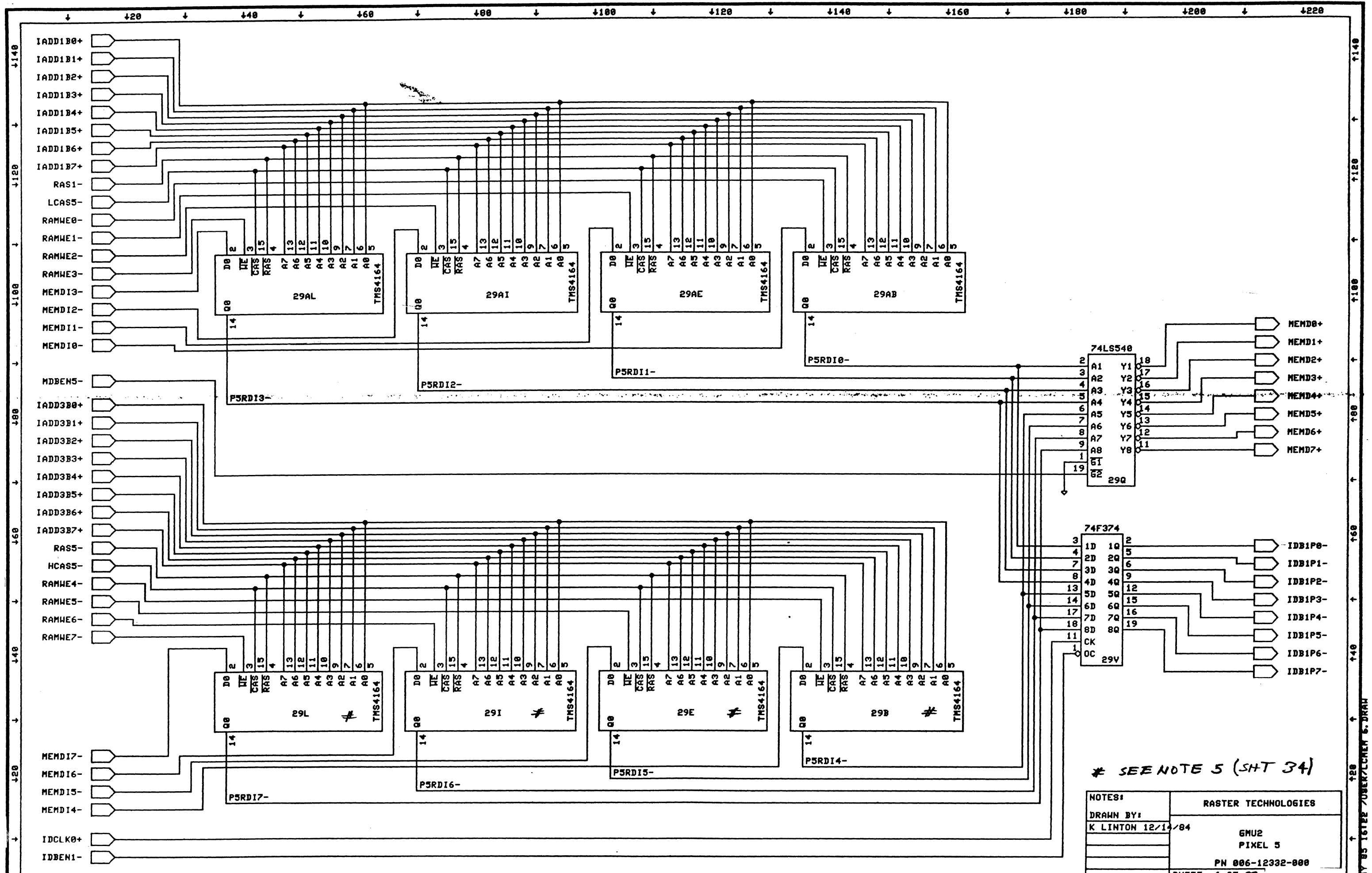
BY 85 16119 708ER/CLCHEN 4. DRAM



\* SEE NOTE 5 (SHT 34)

NOTES:	RASTER TECHNOLOGIES
DRAWN BY:	6MU2
K LINTON 12/14/84	PIXEL 4
	PN 006-12332-000
	SHEET 5 OF 39

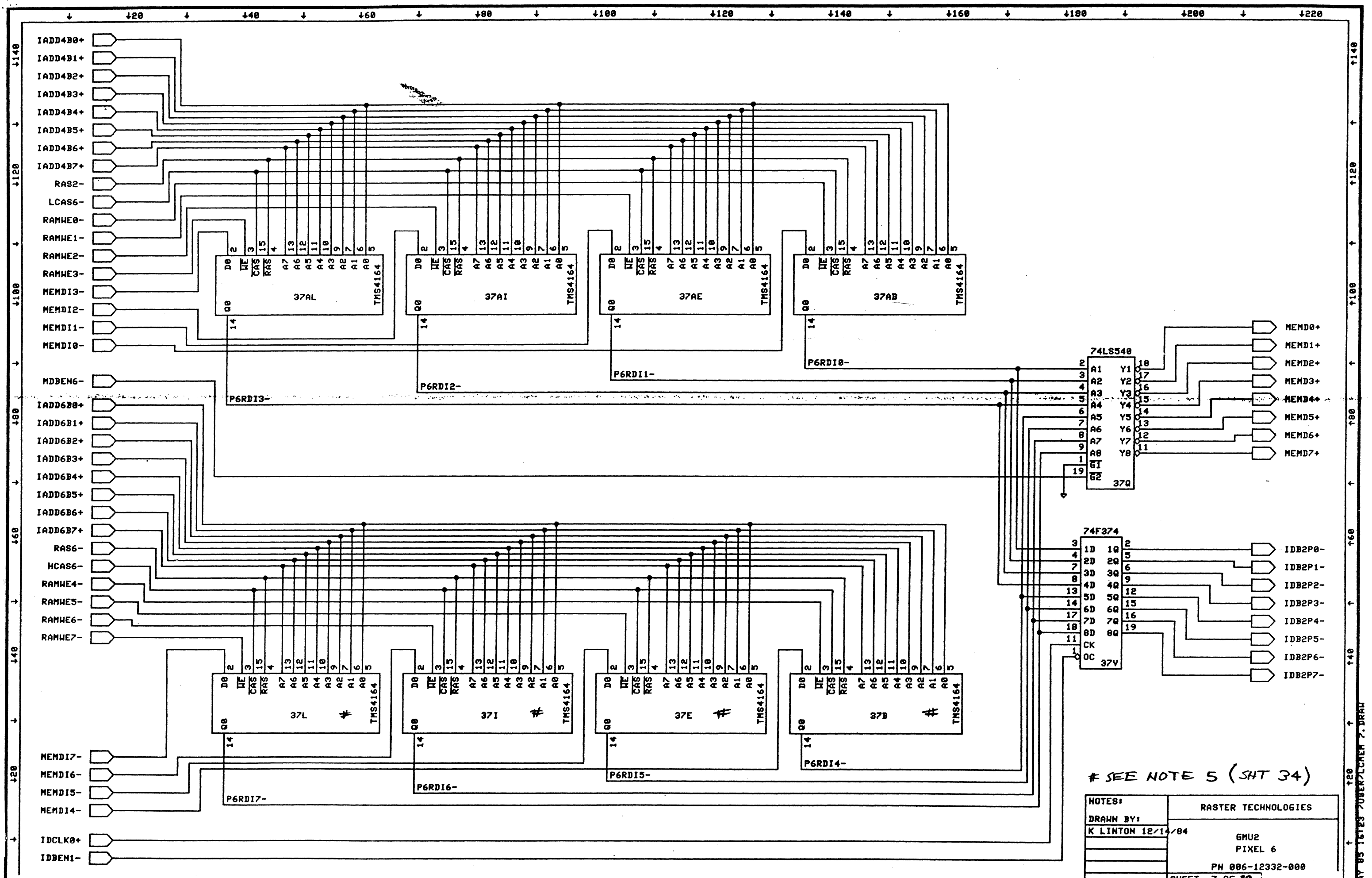
MAY 85 16120 70BER7CUMEN 5.DRAW



\* SEE NOTE 5 (SHT 34)

NOTES:	RASTER TECHNOLOGIES
DRAWN BY:	GMU2
K LINTON 12/14/84	PIXEL 5
	PN 006-12332-000
	SHEET 6 OF 29

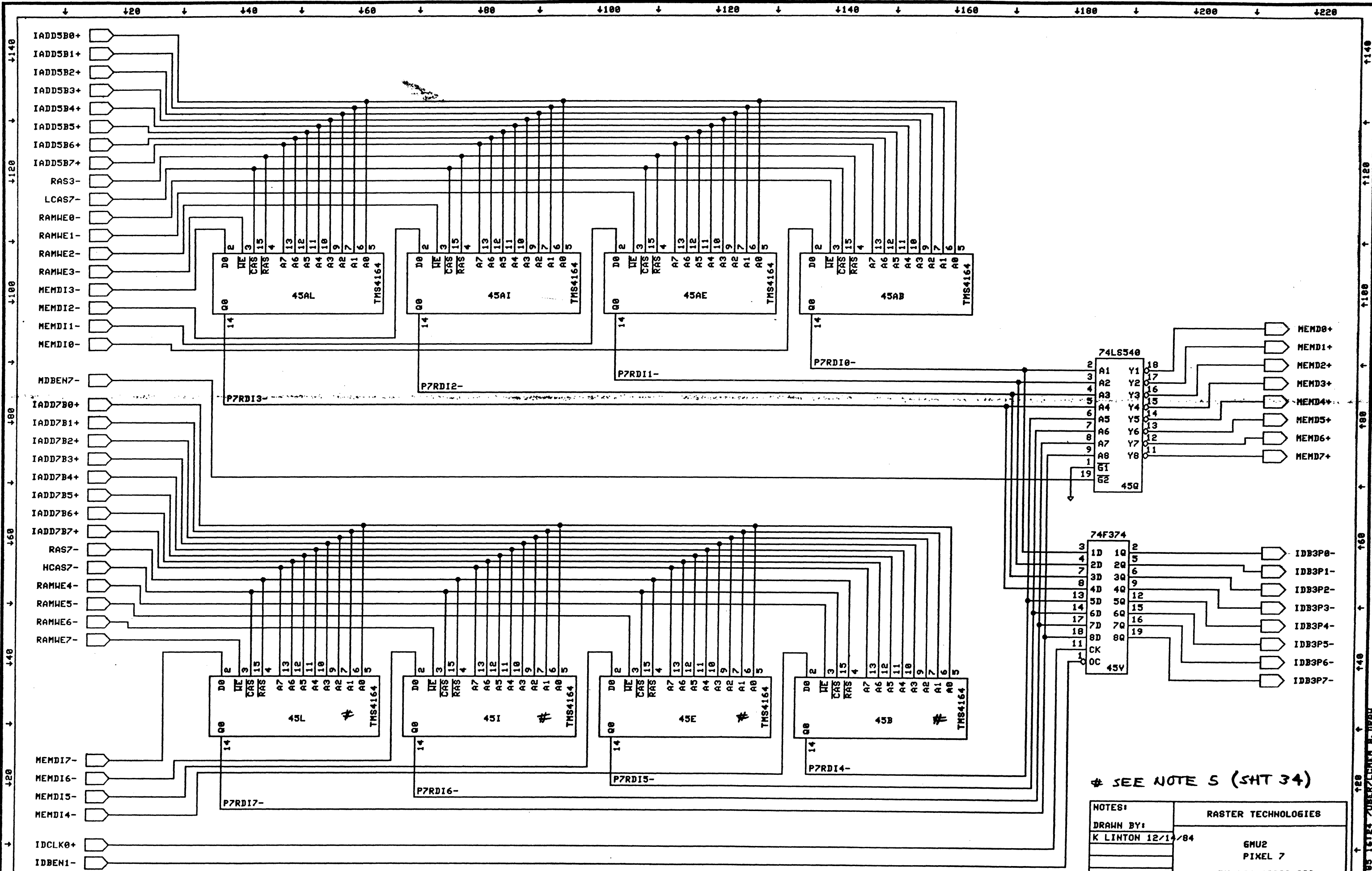
BY 85 16722 / USER7/LENN G. DRAM



# SEE NOTE 5 (SHT 34)

NOTES:	RASTER TECHNOLOGIES
DRAWN BY:	GMU2
K LINTON 12/14/84	PIXEL 6
	PN 006-12332-000
	SHEET 7 OF 39

RAY 85 16787 708ER7LCHEN 7-DRAW

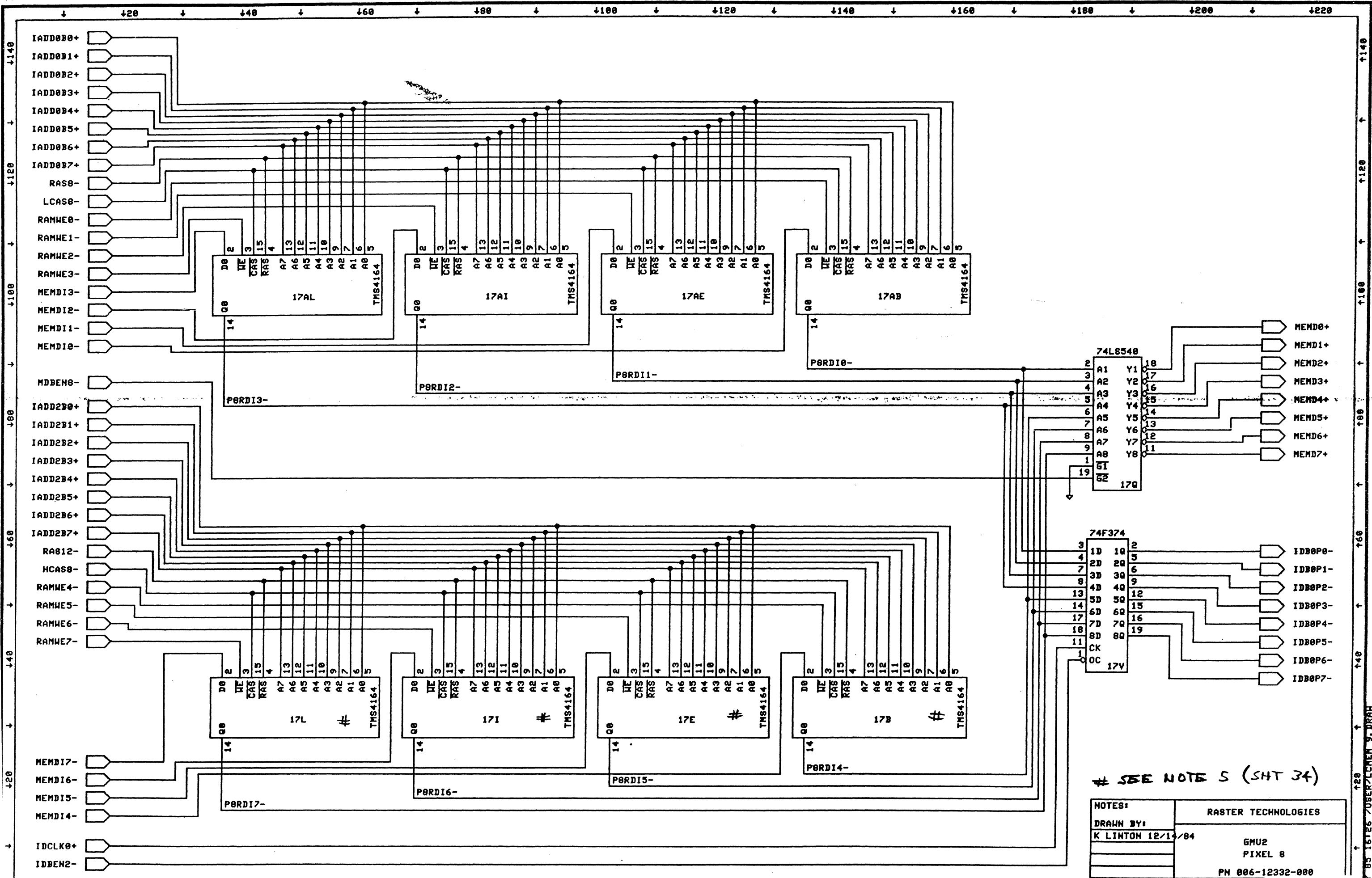


# SEE NOTE 5 (SHT 34)

NOTES:	RASTER TECHNOLOGIES
DRAWN BY:	GMU2
K LINTON 12/1/84	PIXEL 7
	PN 006-12332-000

05 16123 708R7E00EN 8. DRAM

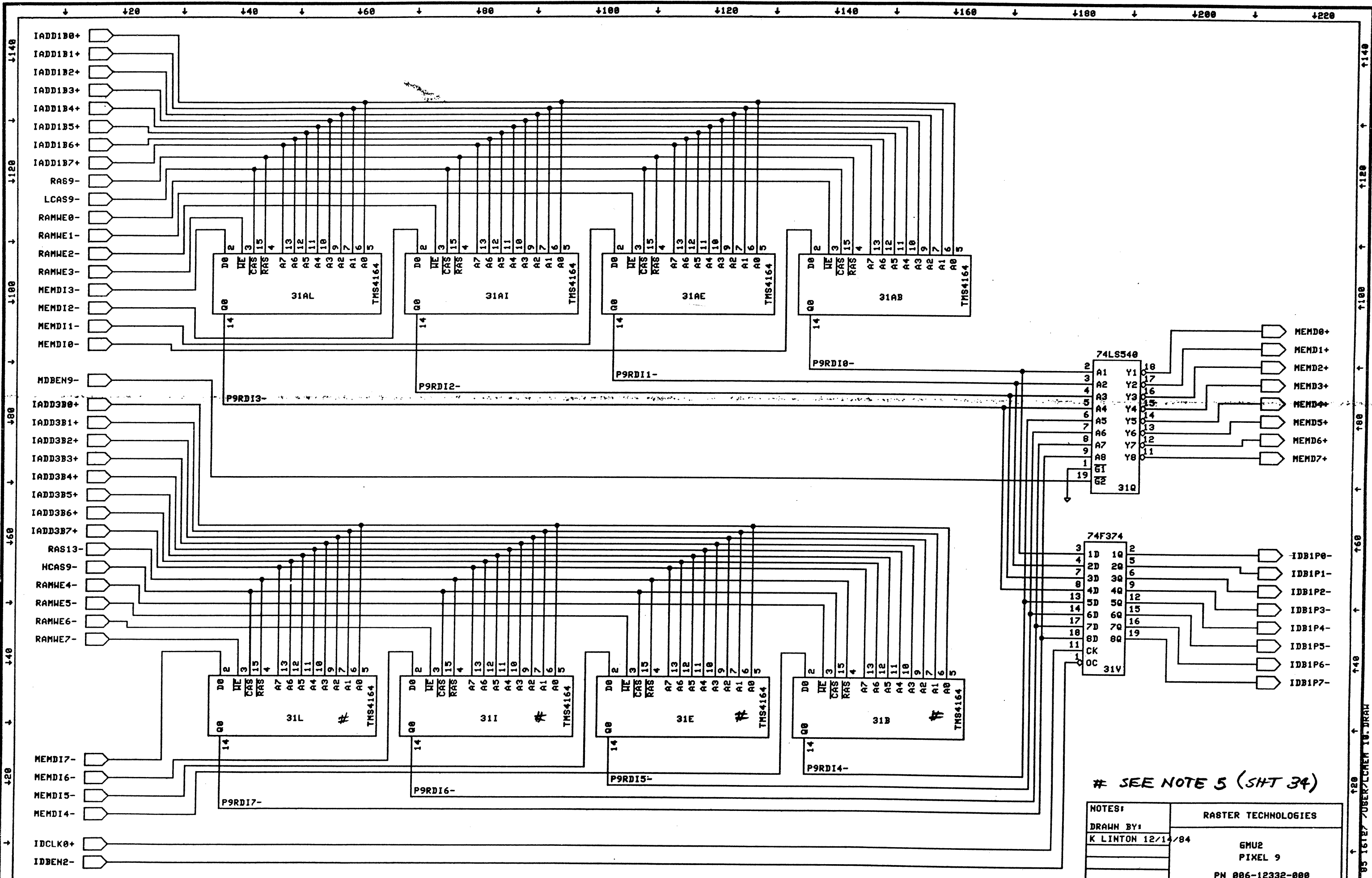




# SEE NOTE 5 (SHT 34)

NOTES:	RASTER TECHNOLOGIES
DRAWN BY:	GMU2
K LINTON 12/14/84	PIXEL 8
	PN 006-12332-000
	SHEET 9 OF 39

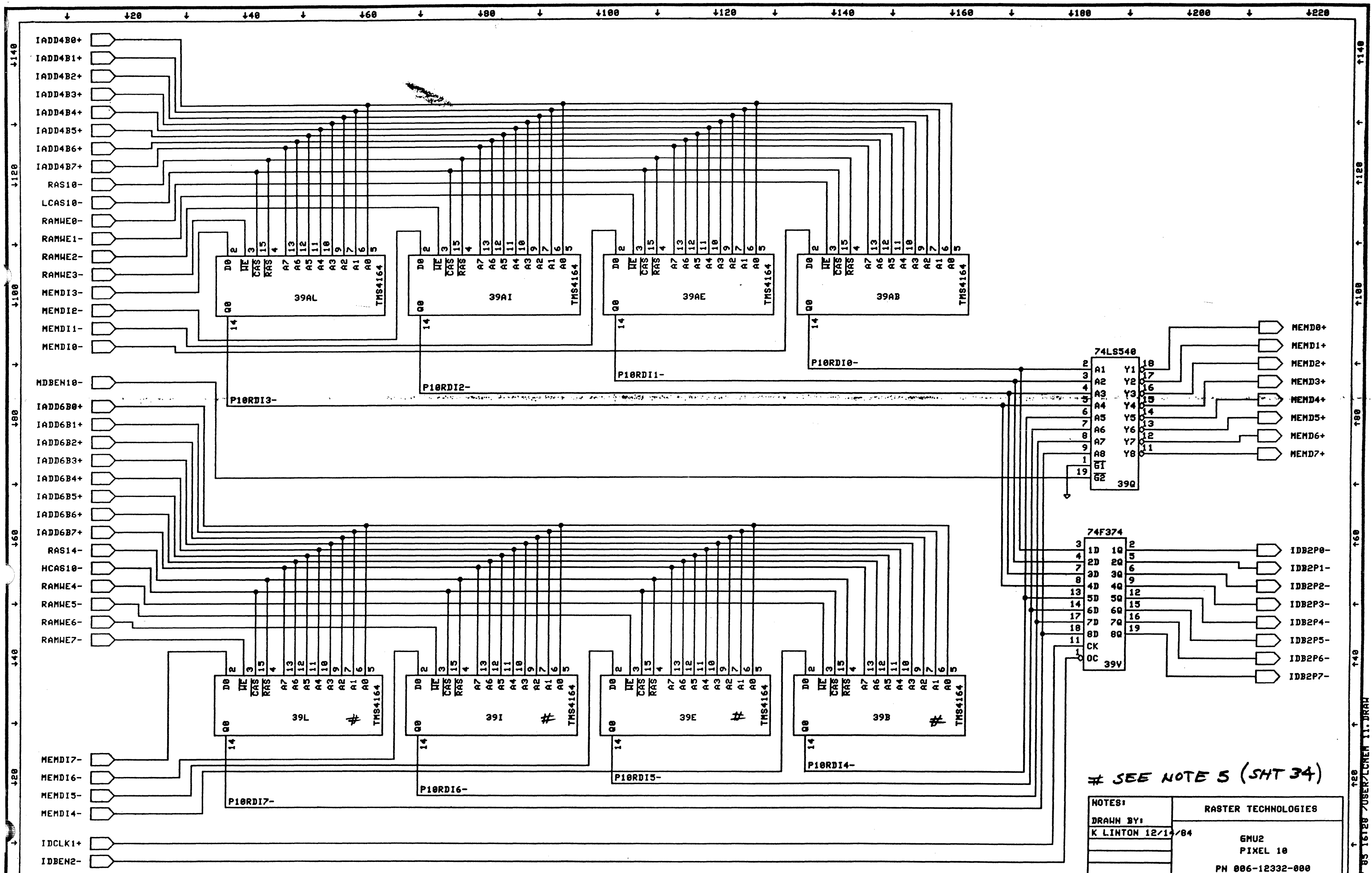
TRY 85 16126 USER/LENN 9. DRAM



# SEE NOTE 5 (SHT 34)

NOTES:	RASTER TECHNOLOGIES
DRAWN BY:	GMU2
K LINTON 12/14/84	PIXEL 9
	PN 006-12332-000
	SHEET 10 OF 39

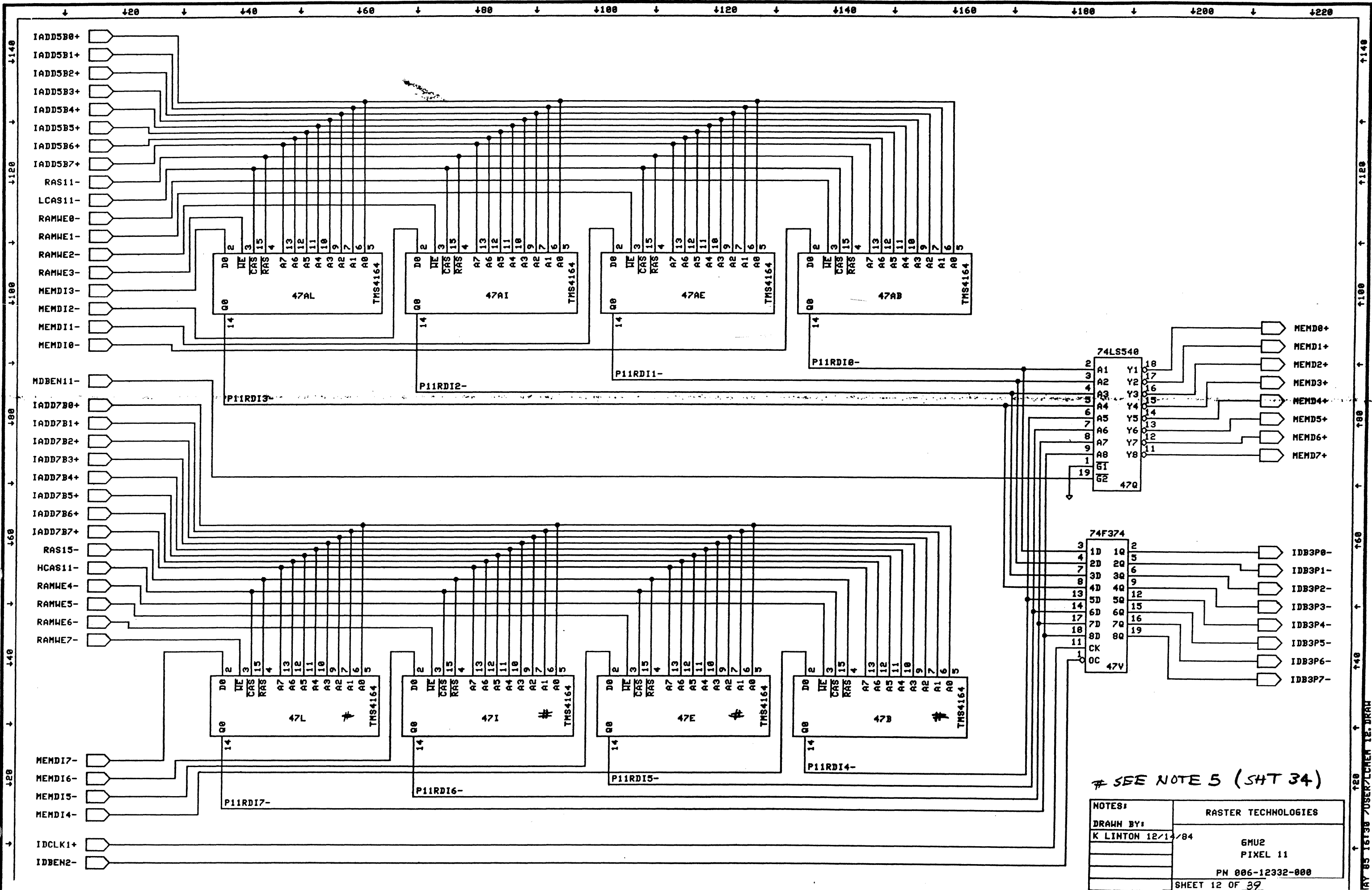
MAY 85 16127 USER/CHEM 16-DRAW



# SEE NOTE 5 (SHT 34)

NOTES:	RASTER TECHNOLOGIES
DRAWN BY:	GMU2
K LINTON 12/14/84	PIXEL 10
	PN 006-12332-000
	SHEET 11 OF 39

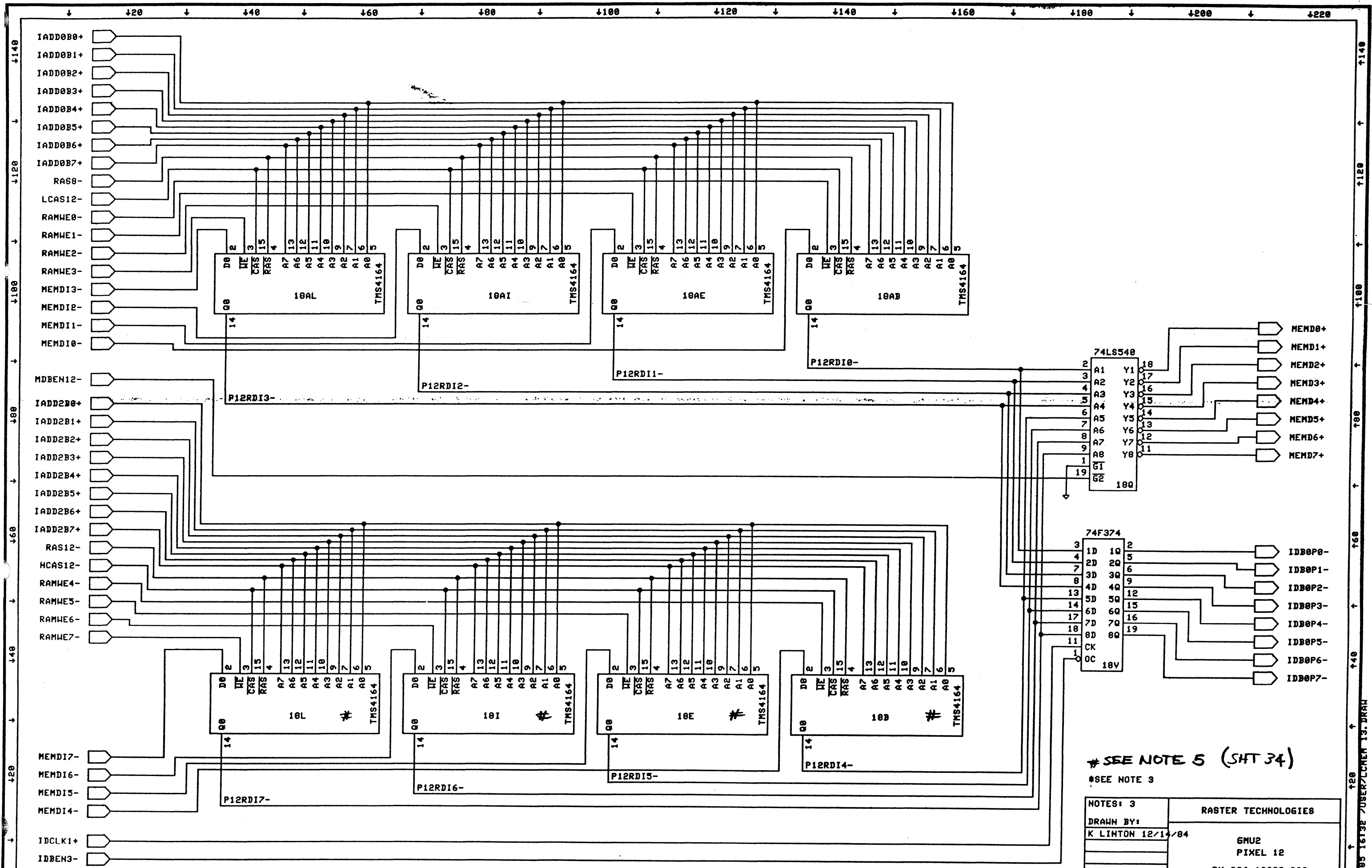
MAY 85 161287 USER/CLNEM 11. DRAM



# SEE NOTE 5 (SHT 34)

NOTES:	RASTER TECHNOLOGIES
DRAWN BY:	GMU2
K LINTON 12/14/84	PIXEL 11
	PN 006-12332-000
	SHEET 12 OF 39

RAY 85 16130 USER/LEVEN 12. DRAM

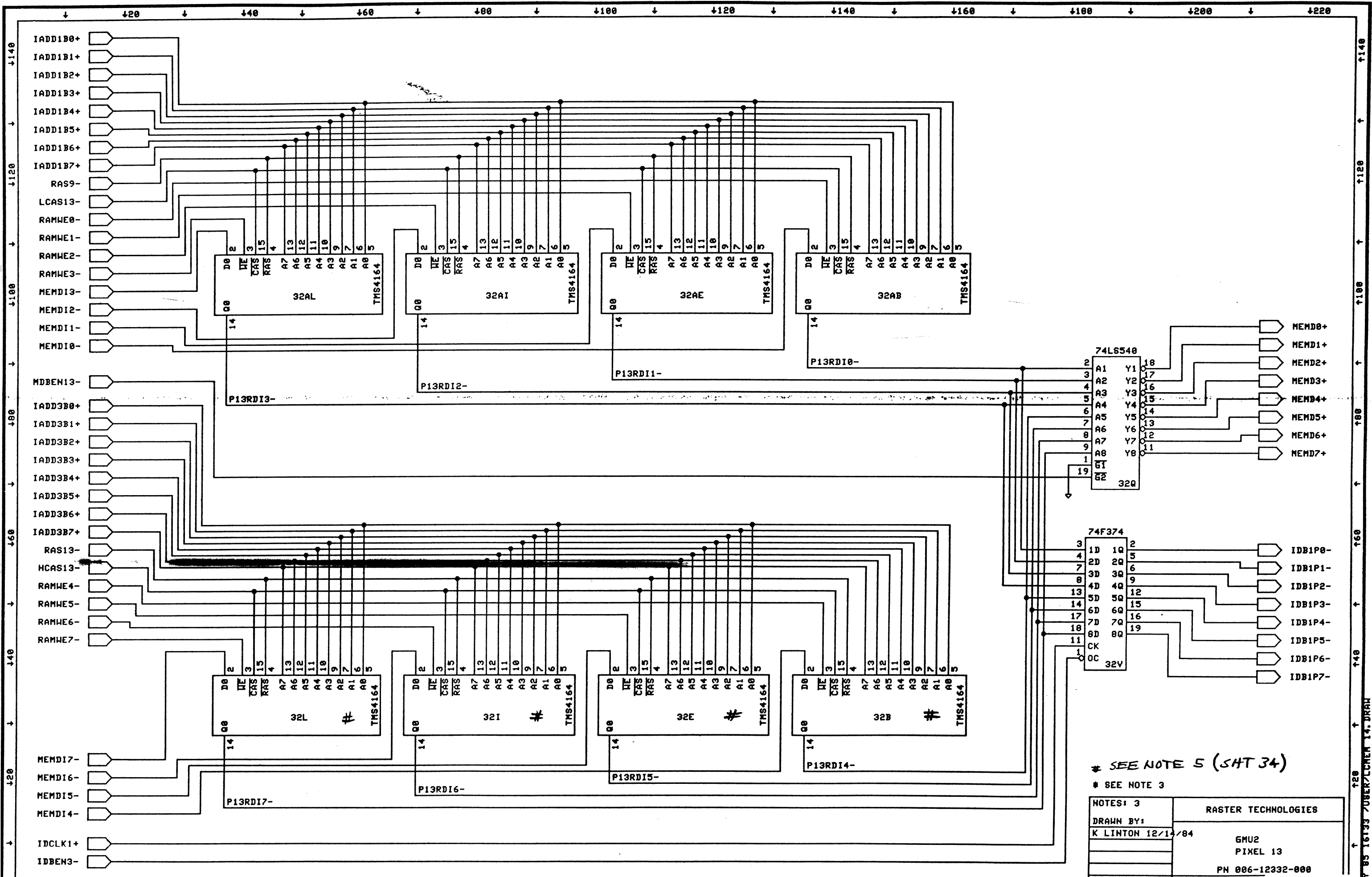


# SEE NOTE 5 (SHT 34)

#SEE NOTE 3

NOTES: 3	RASTER TECHNOLOGIES
DRAWN BY:	
K LINTON 12/14/84	GMU2
	PIXEL 12
	PN 006-12332-000
	SHEET 13 OF 39

85 16732 70SER/PCHEM 13. DRAM

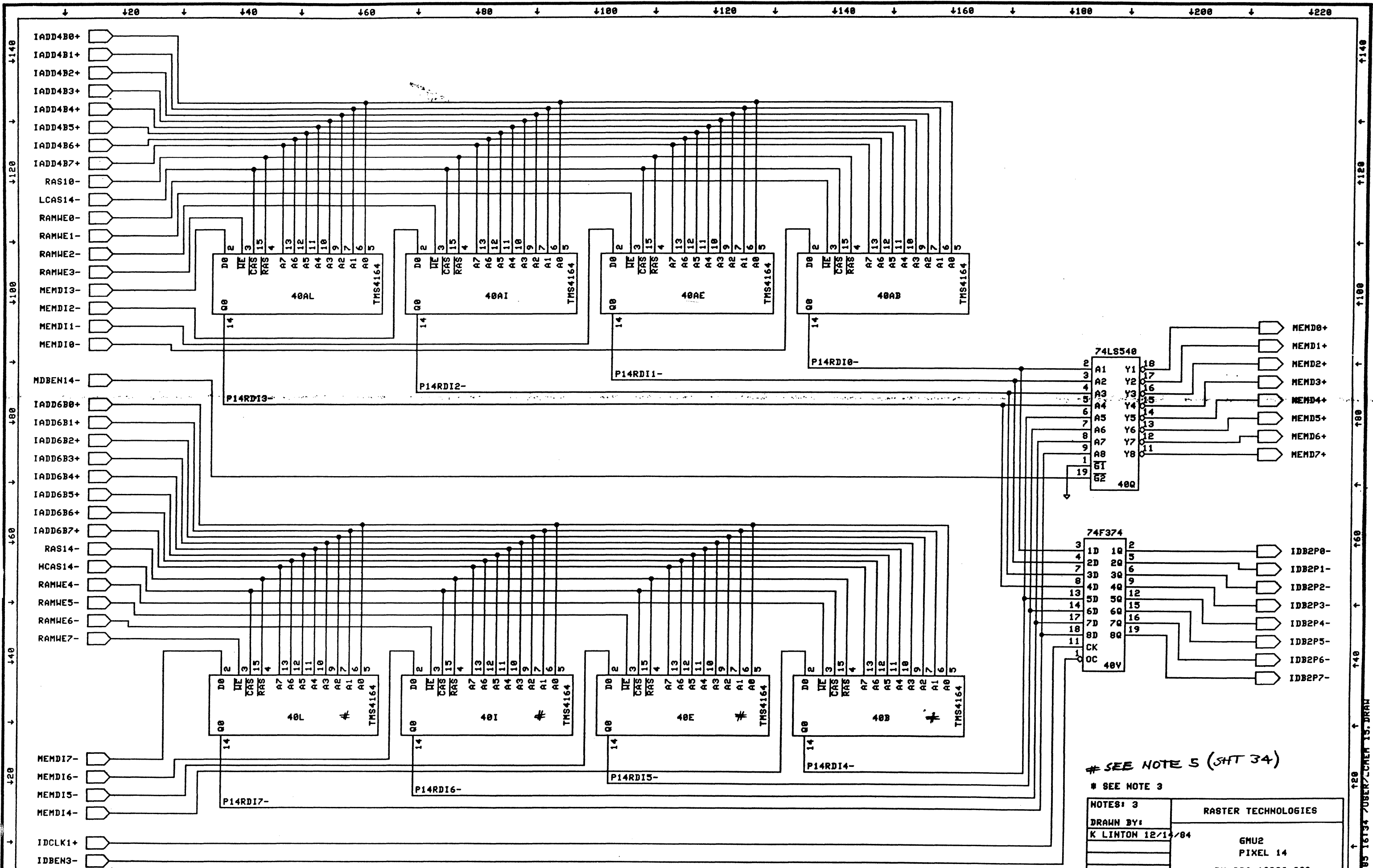


\* SEE NOTE 5 (SHT 34)

\* SEE NOTE 3

NOTES: 3	RASTER TECHNOLOGIES
DRAWN BY:	
K LINTON 12/14/84	GMU2
	PIXEL 13
	PN 006-12332-000
	SHEET 14 OF 39

MAY 85 16133 708R/CLM 14. DRAM

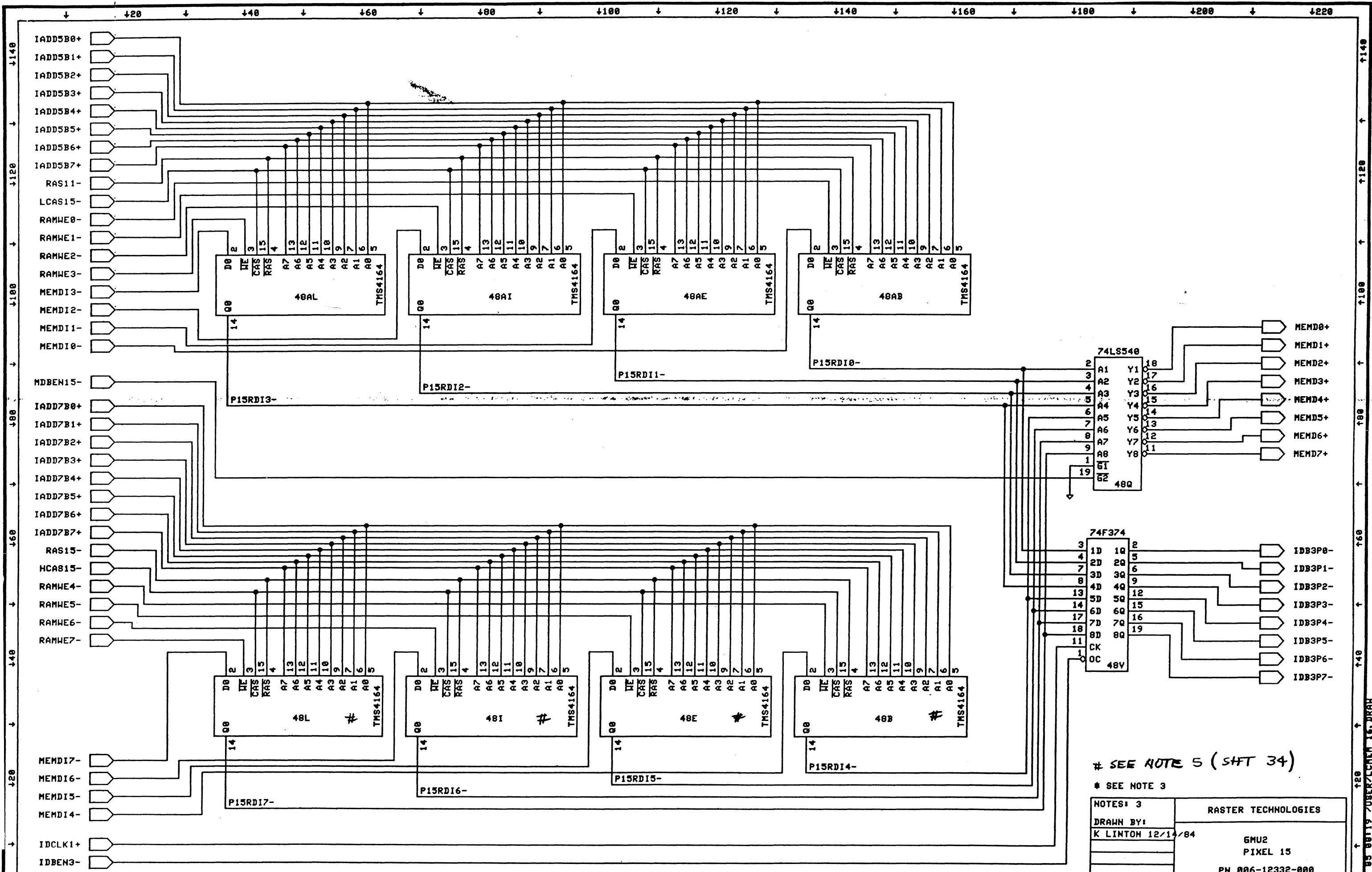


# SEE NOTE 5 (SHT 34)

# SEE NOTE 3

NOTES: 3	RASTER TECHNOLOGIES
DRAWN BY: K LINTON 12/14/84	GMU2 PIXEL 14
	PN 006-12332-000
	SHEET 15 OF 39

MAY 85 16134 708RZC/MEM 15.DRAW



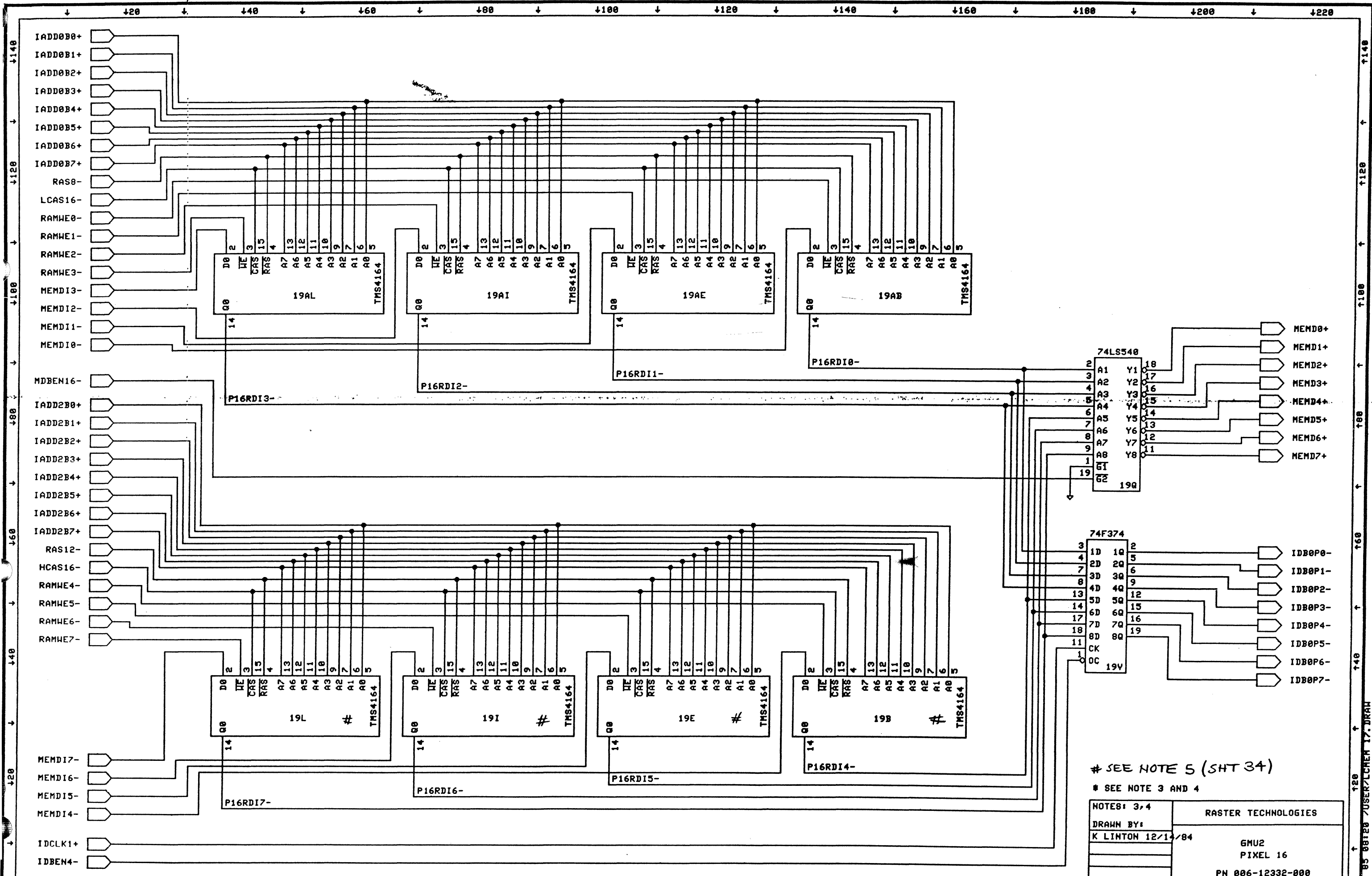
# SEE NOTE 5 (SHT 34)

# SEE NOTE 3

NOTES: 3	RASTER TECHNOLOGIES
DRAWN BY: K LINTON 12/14/84	GMU2 PIXEL 15
	PN 806-12332-000
	SHEET 16 OF 37

MAY 85 08119 708ER7CCHER 16.DRAW



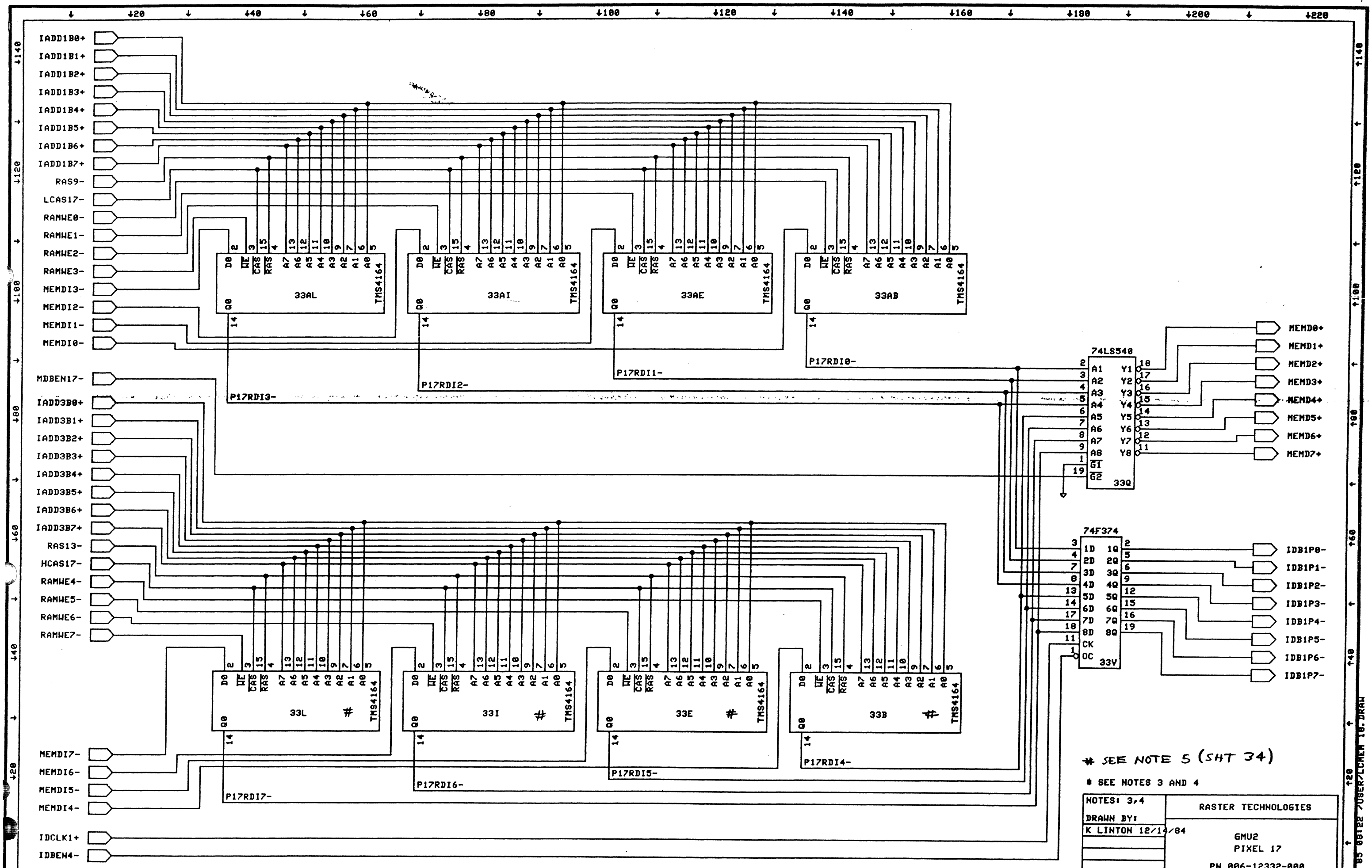


# SEE NOTE 5 (SHT 34)

# SEE NOTE 3 AND 4

NOTES: 3,4	RASTER TECHNOLOGIES
DRAWN BY: K LINTON 12/14/84	GMU2 PIXEL 16
	PN 006-12332-000
	SHEET 17 OF 39

RAY 85 08128 7USER7LCHEM 17.DRAW

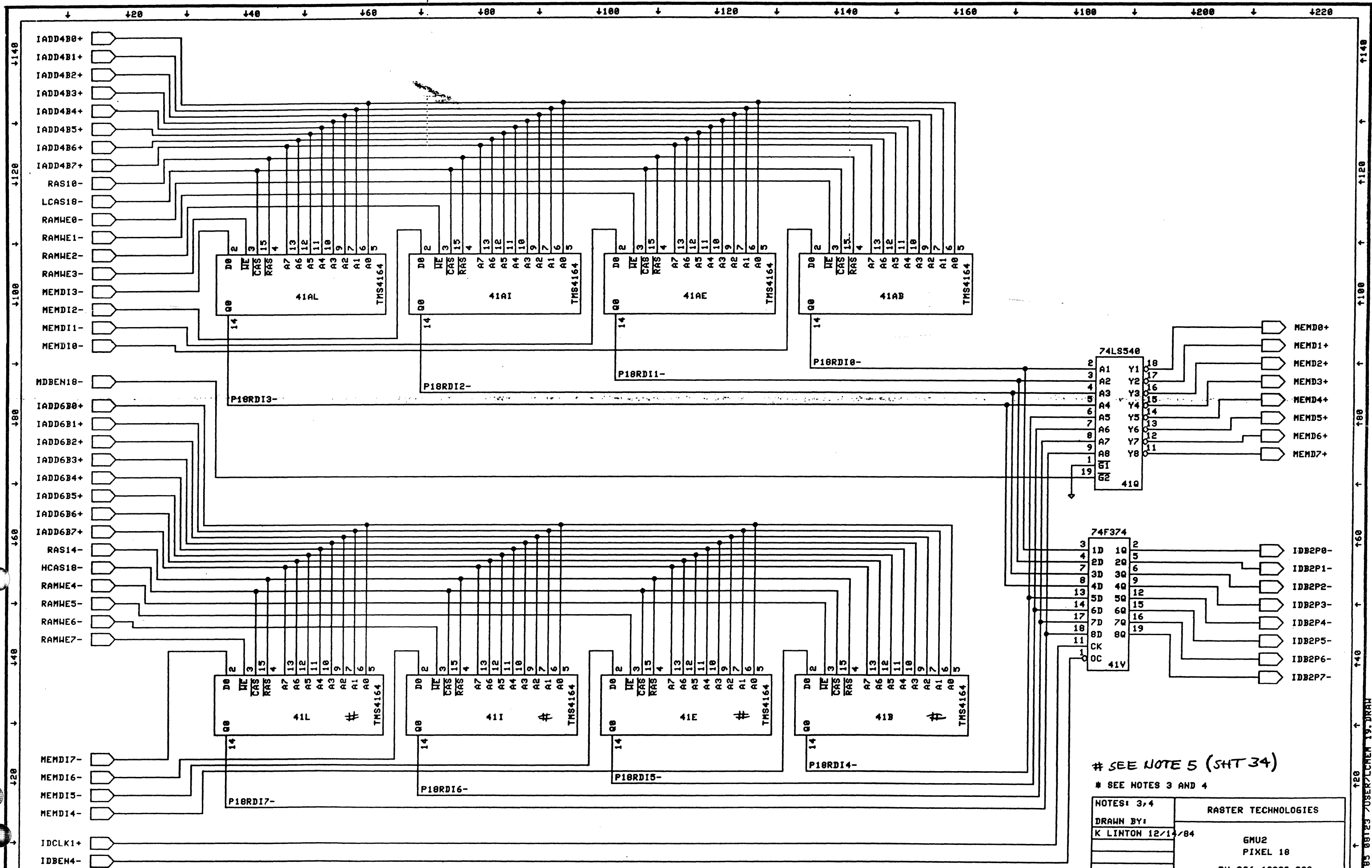


\* SEE NOTE 5 (SHT 34)

\* SEE NOTES 3 AND 4

NOTES: 3,4	RASTER TECHNOLOGIES
DRAWN BY: K LINTON 12/14/84	GMU2 PIXEL 17
	PN 006-12332-000
	SHEET 18 OF 39

RY 85 08122 708ERZLCHEN 18-DRAW

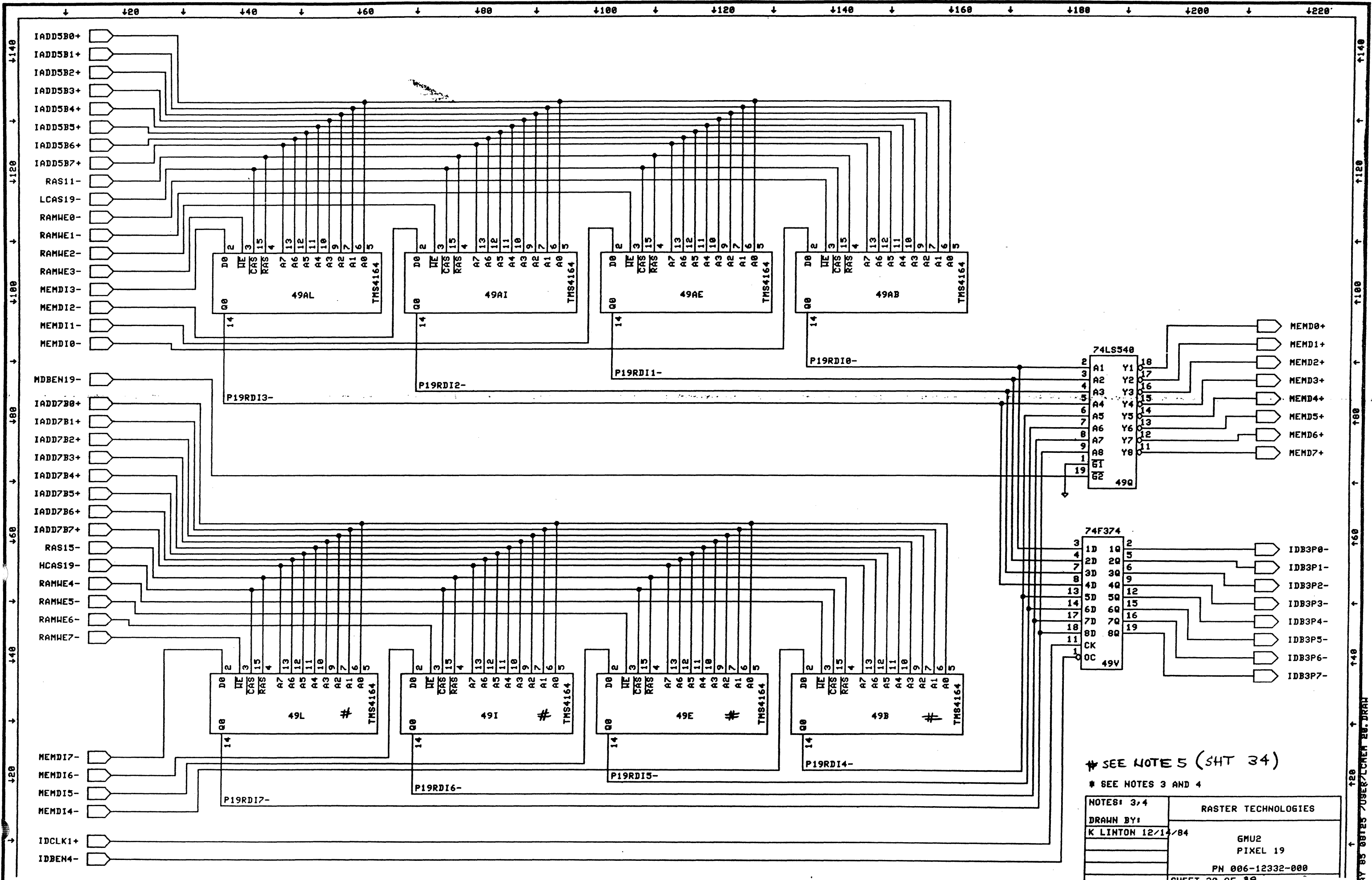


# SEE NOTE 5 (SHT 34)

\* SEE NOTES 3 AND 4

NOTES: 3,4	RASTER TECHNOLOGIES
DRAWN BY:	GMU2
K LINTON 12/14/84	PIXEL 18
	PN 006-12332-000
	SHEET 19 OF 39

RY 85 08123 708ERZLCHEN 19. DRWH

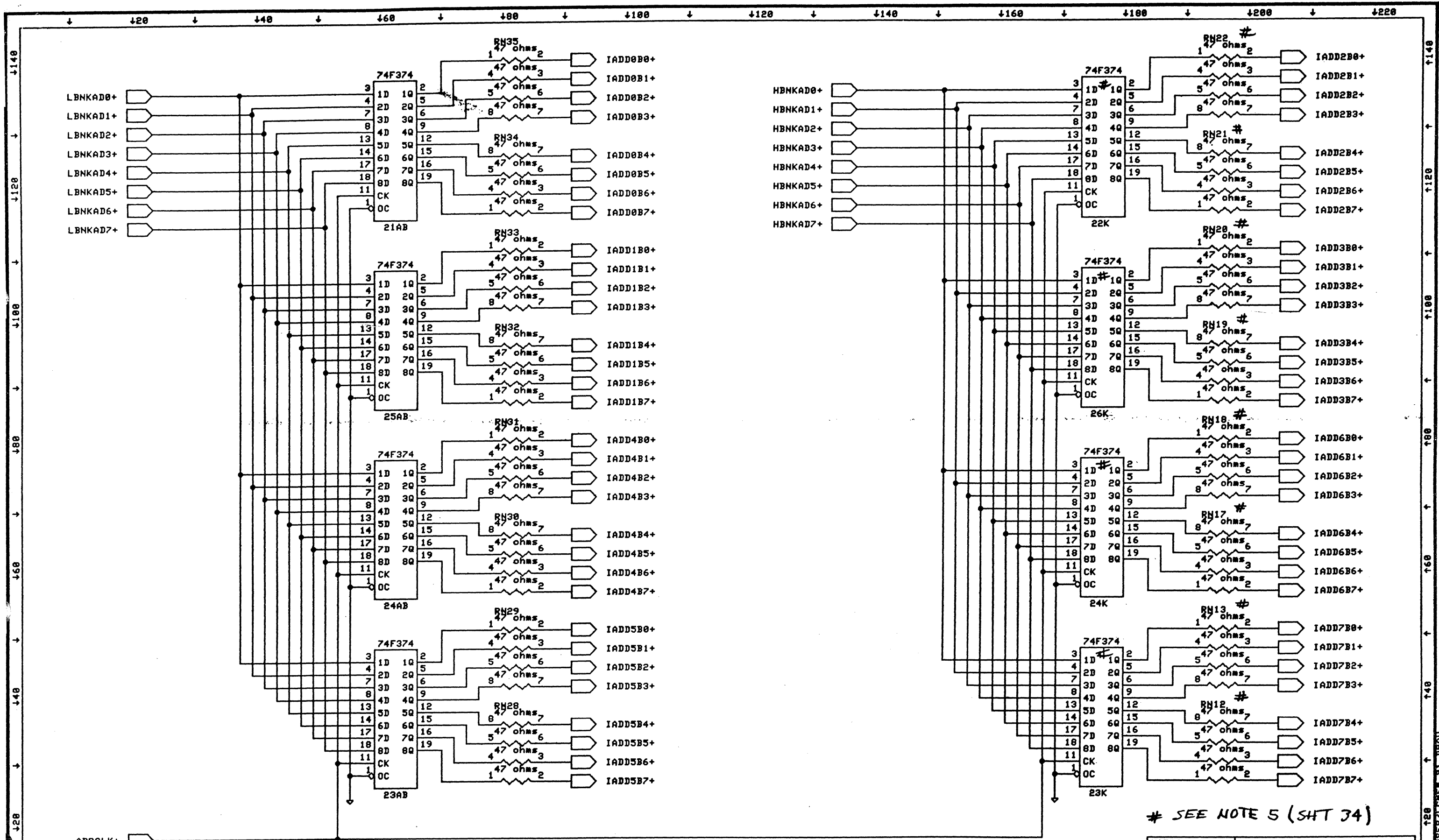


\* SEE NOTE 5 (SHT 34)

\* SEE NOTES 3 AND 4

NOTES: 3,4	RASTER TECHNOLOGIES
DRAWN BY: K LINTON 12/14/84	GMU2 PIXEL 19
	PN 006-12332-000
	SHEET 20 OF 39

RY 85 08TES 70SER/LCHEN EB.DRAW

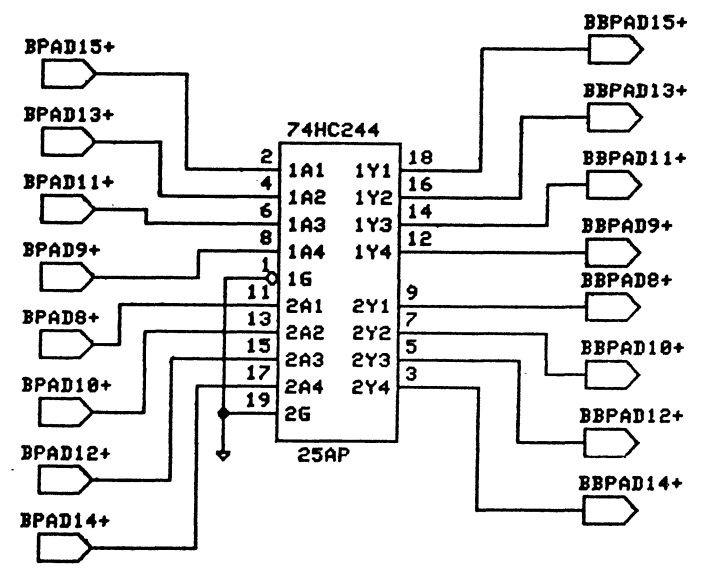
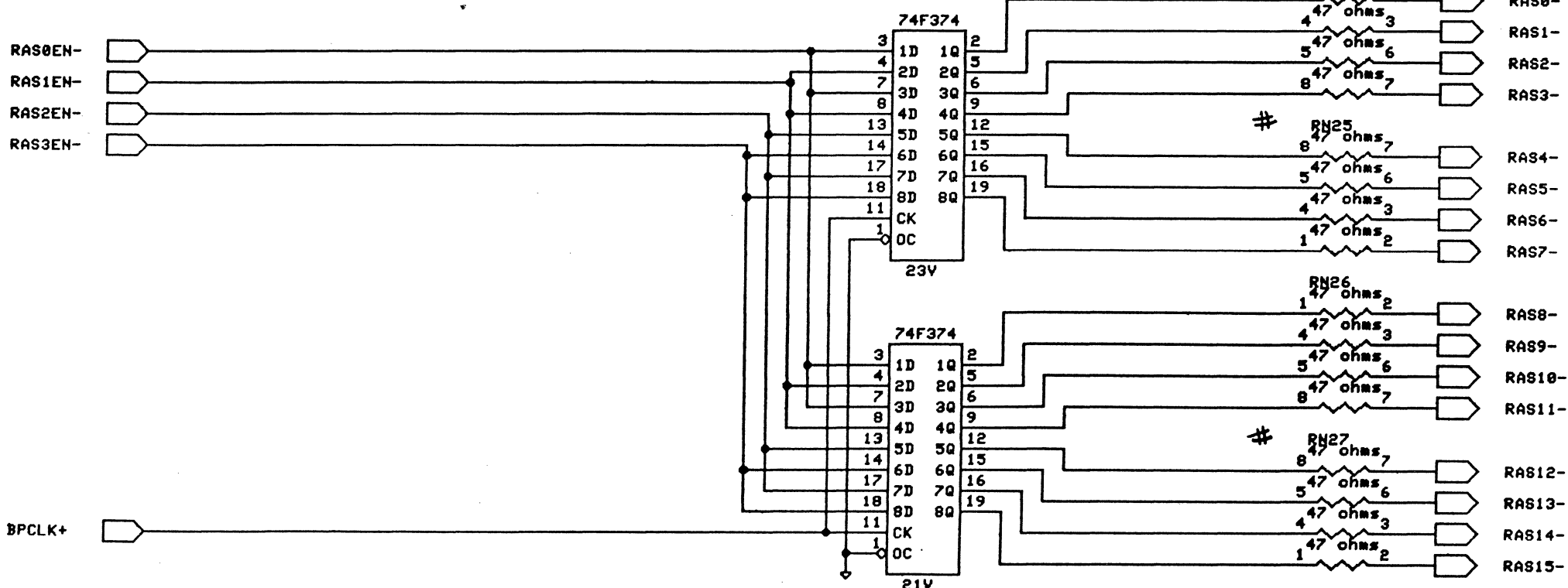
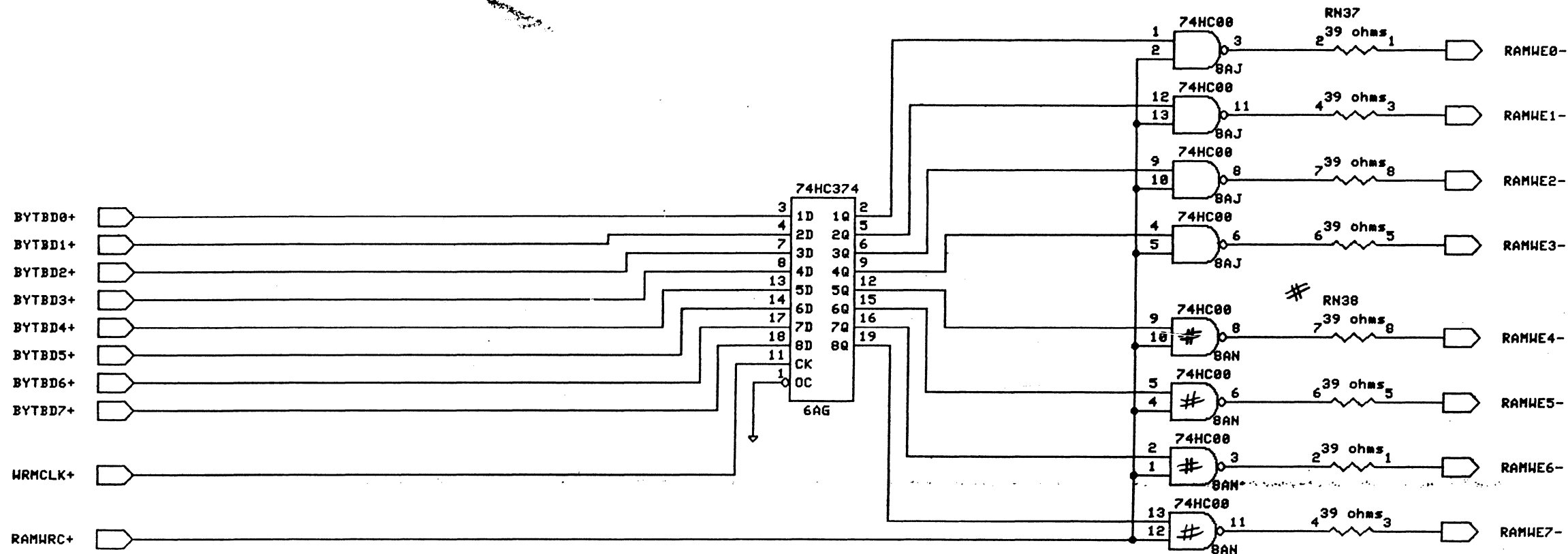


# SEE NOTE 5 (SHT 34)

NOTES:	RASTER TECHNOLOGIES
DRAWN BY:	GMU2
K LINTON 12/14/84	IMAGE MEMORY
	ADDRESS DRIVERS
	PN 006-12332-000
	SHEET 21 OF 39

RY 85 08126 USER/CLMEN 21. DRAM

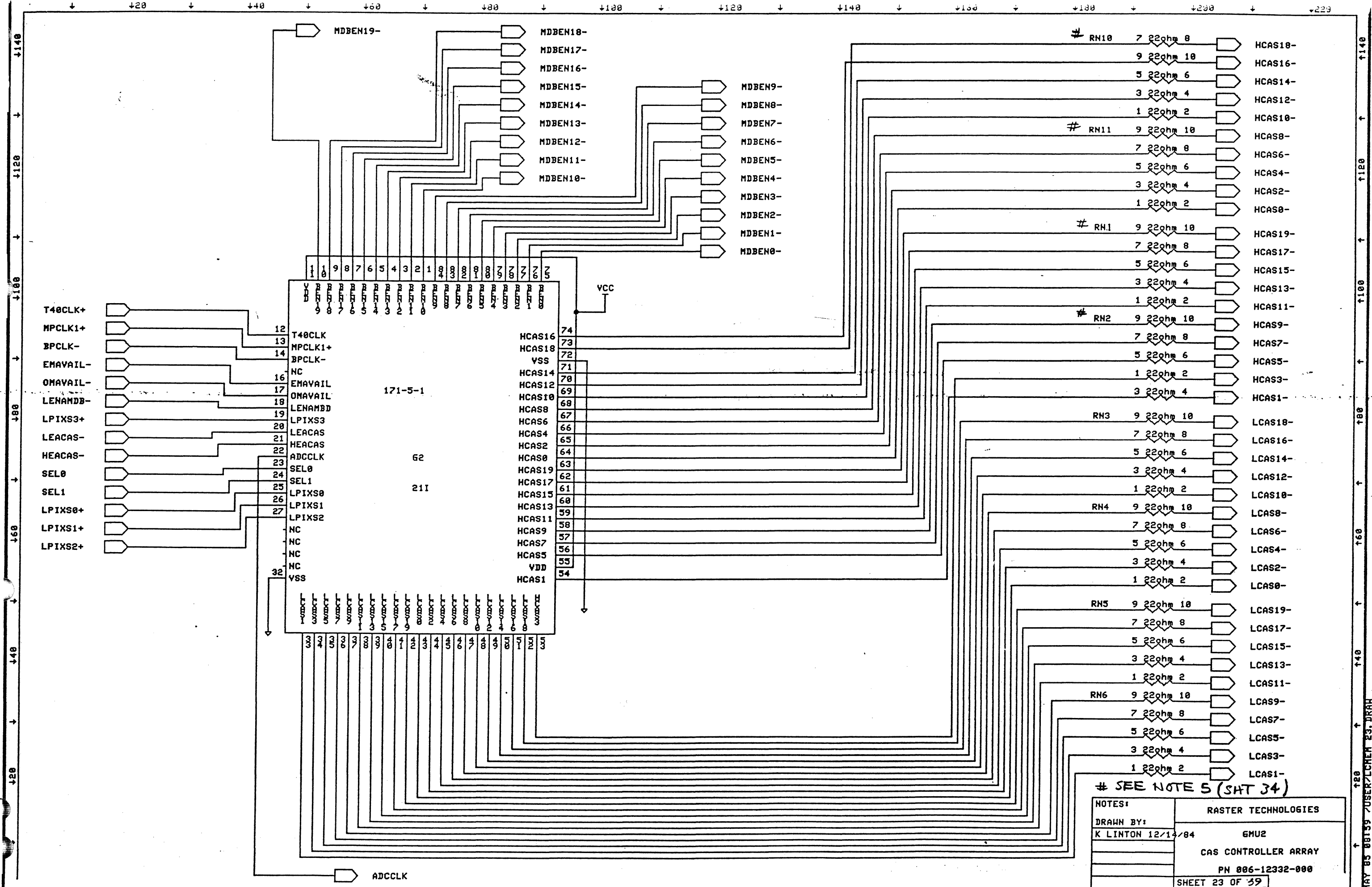
↓ 120 ↓ 140 ↓ 160 ↓ 180 ↓ 200 ↓ 220



# SEE NOTE 5 (SHT 34)

NOTES:	RASTER TECHNOLOGIES
DRAWN BY:	GMU2
K LINTON 12/14/84	IMAGE MEMORY RAS AND WRITE ENABLE DRIVERS
	PN 006-12332-000
	SHEET 22 OF 39

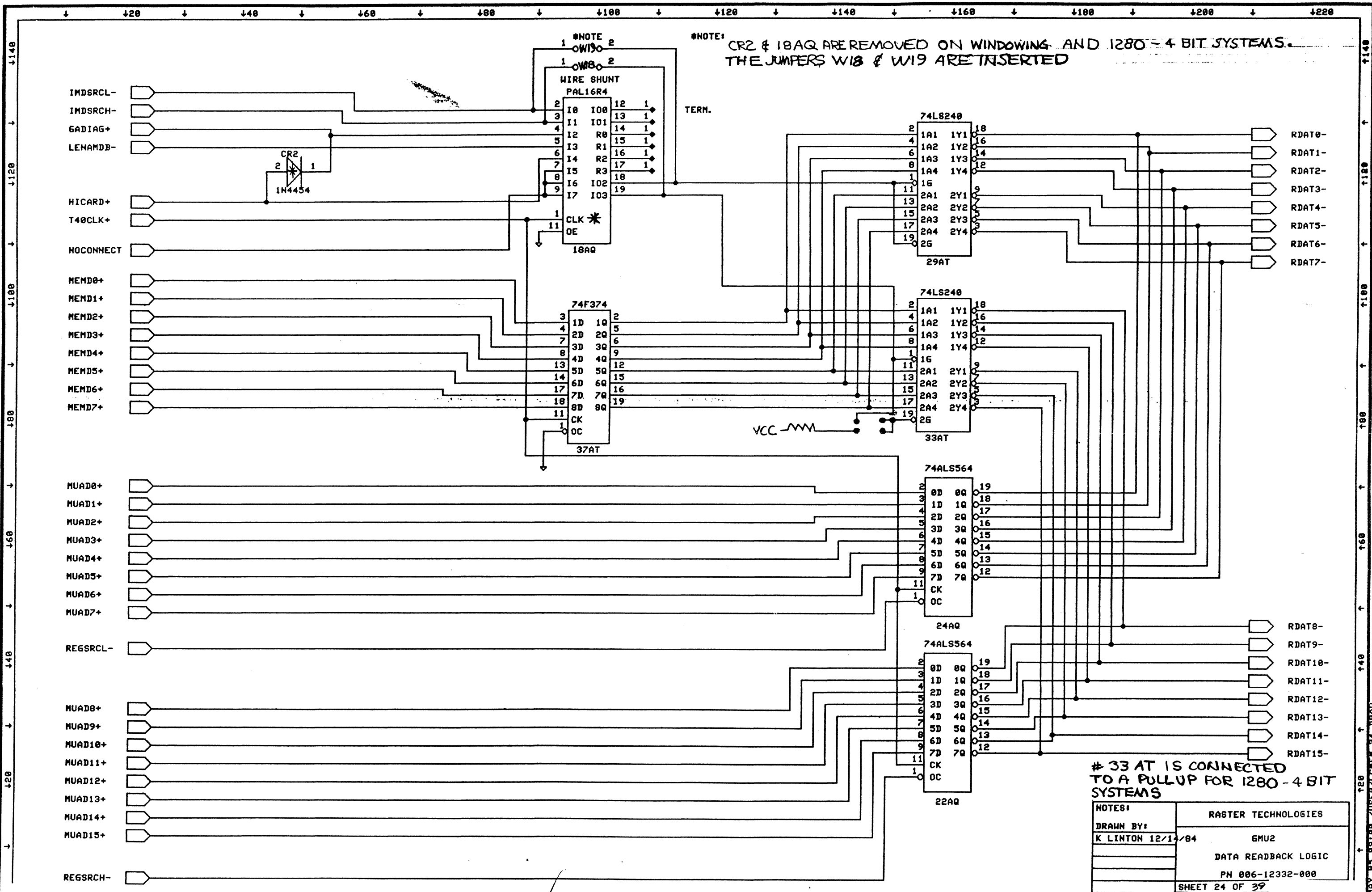
RAY 85 88127 70SER/LCHEN RE. DRAM



# SEE NOTE 5 (SHT 34)

NOTES:	RASTER TECHNOLOGIES
DRAWN BY:	GMU2
K LINTON 12/14/84	CAS CONTROLLER ARRAY
	PN 006-12332-000
	SHEET 23 OF 39

MAY 85 08139 USER/LECHEM 23. DRAM



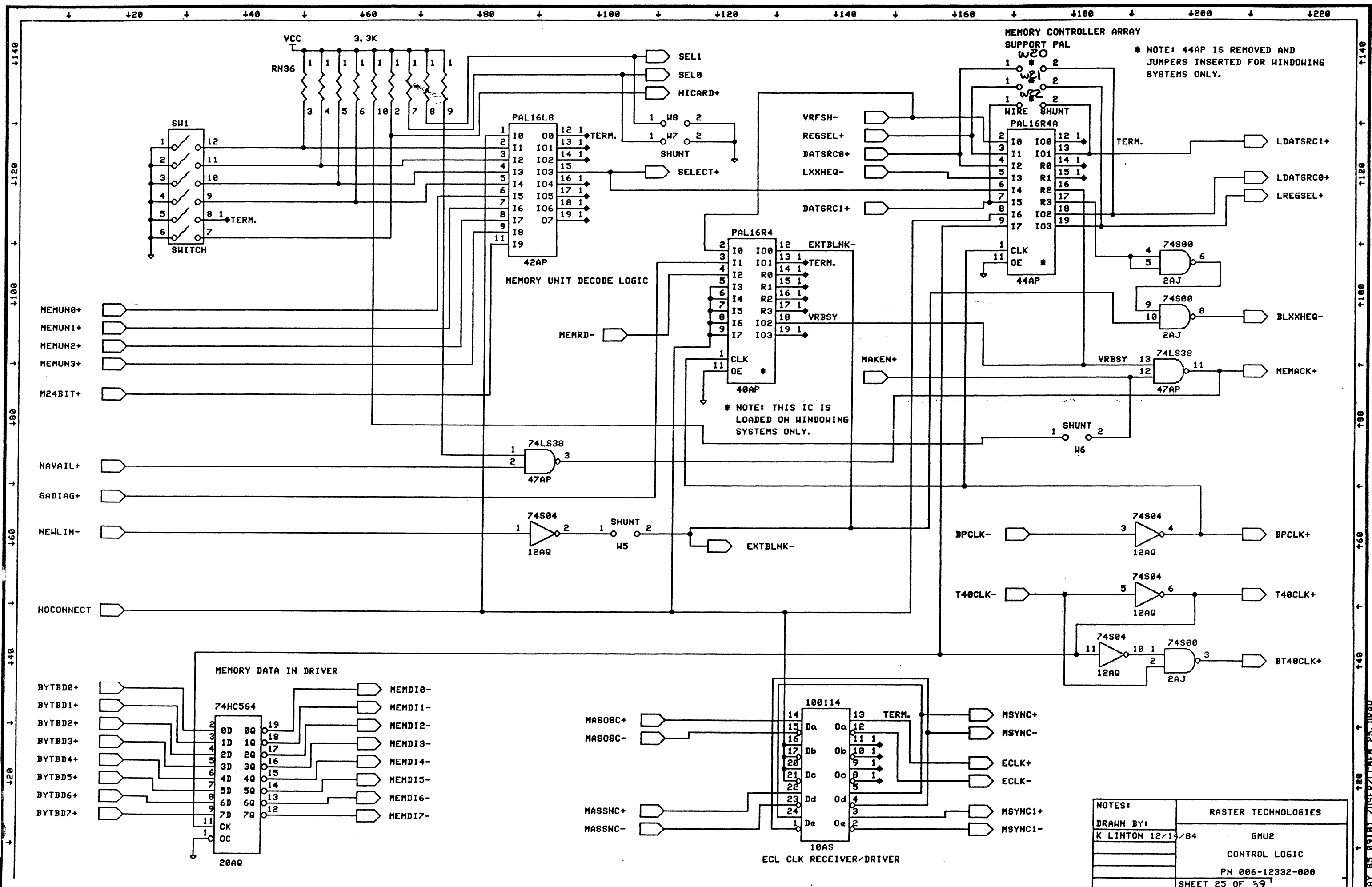
#NOTE: CR2 & 18AQ ARE REMOVED ON WINDOWING AND 1280-4 BIT SYSTEMS. THE JUMPERS W18 & W19 ARE INSERTED

# 33 AT IS CONNECTED TO A PULLUP FOR 1280-4 BIT SYSTEMS

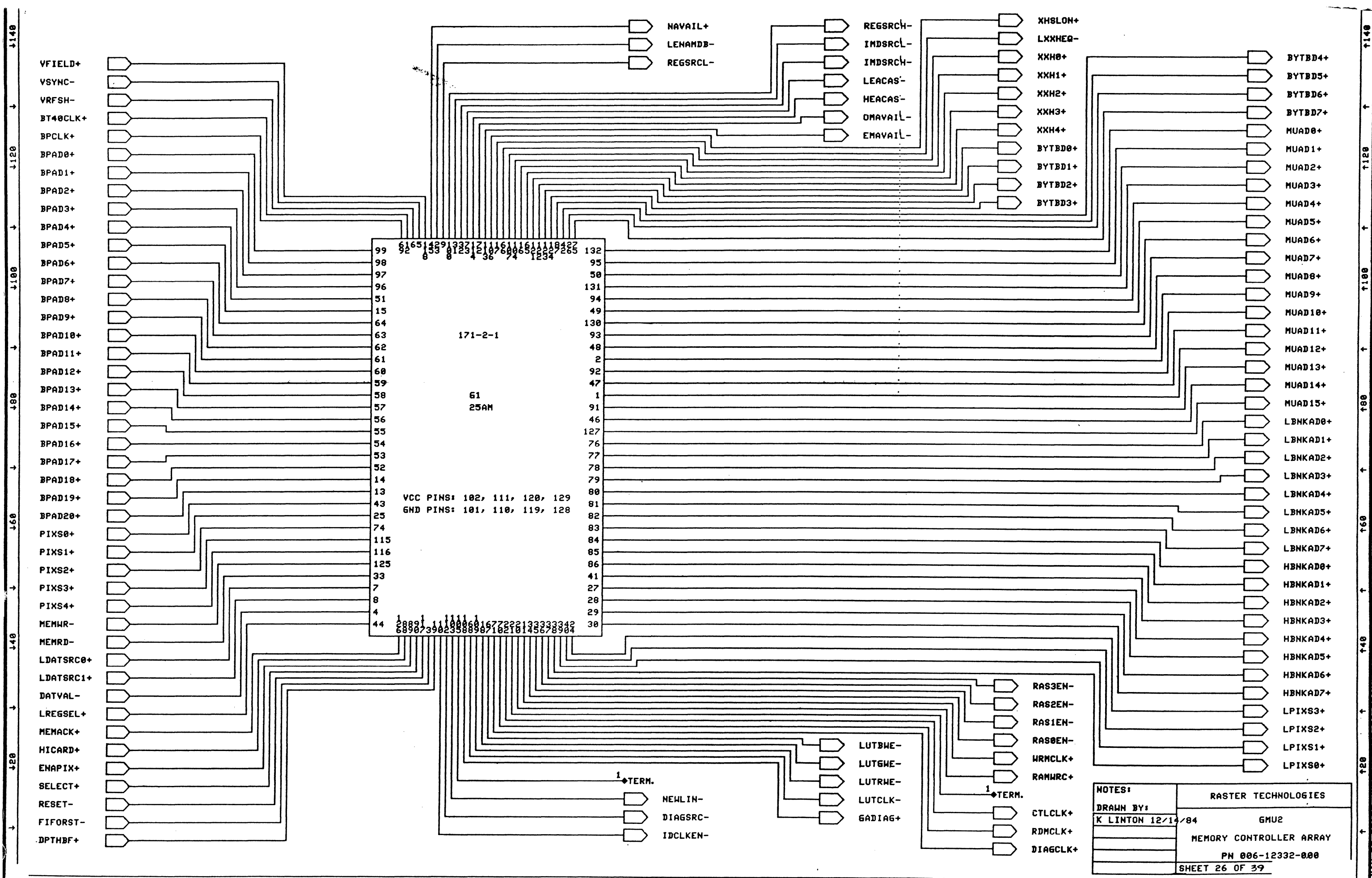
NOTES:	RASTER TECHNOLOGIES
DRAWN BY:	GMU2
K LINTON 12/14/84	DATA READBACK LOGIC
	PN 006-12332-000
	SHEET 24 OF 39

MAY 85 09:00 ZUSER/CLMCH 24. DRAW





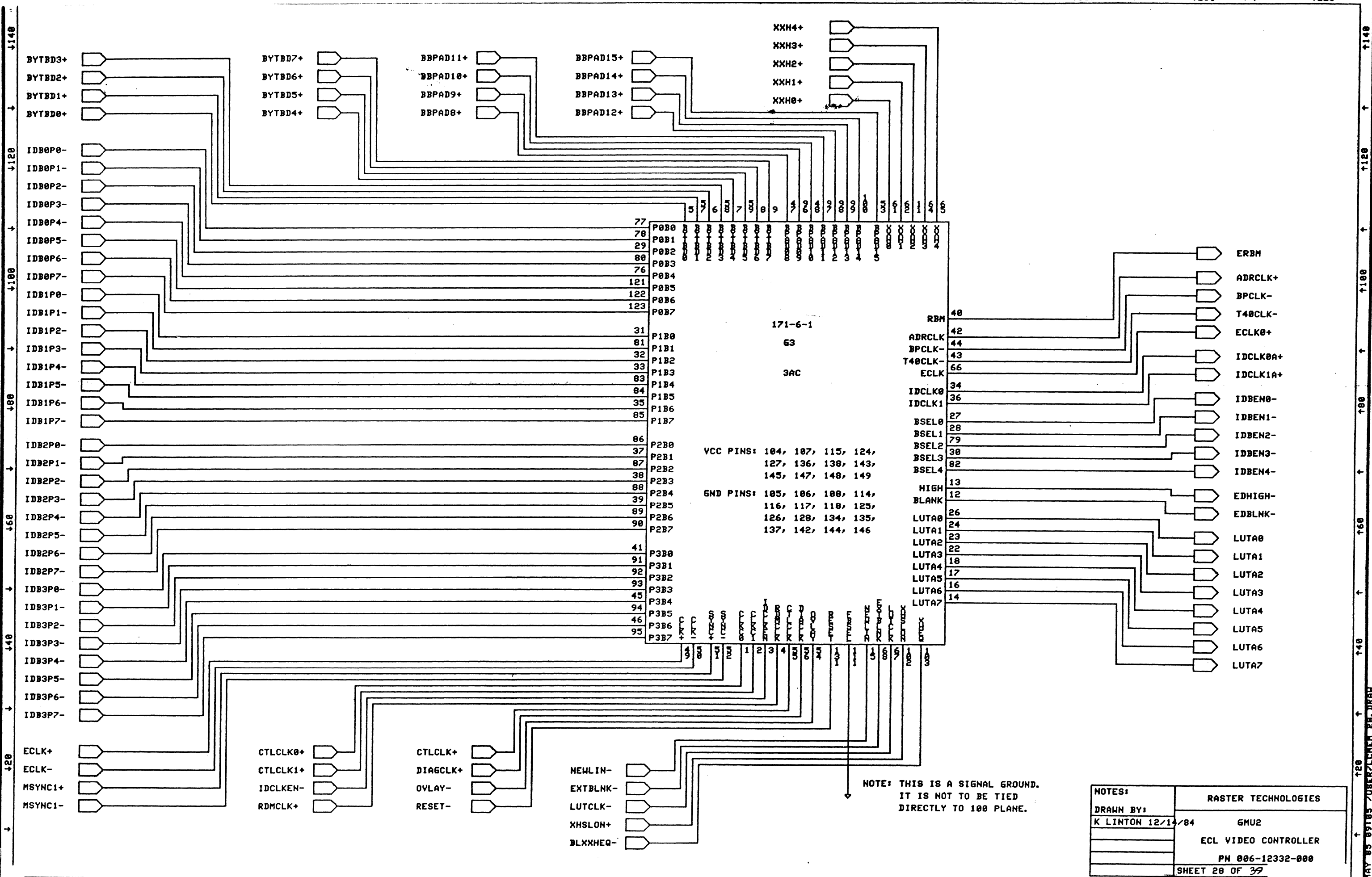
RY 85 09101 7 USER/CLC/EN 25.DRAW



NOTES:		RASTER TECHNOLOGIES	
DRAWN BY:		GMU2	
K LINTON 12/14/84		MEMORY CONTROLLER ARRAY	
		PN 006-12332-000	
		SHEET 26 OF 39	

MAY 85 09183 70SER/LC/MEM 26.DRAW





77	P0B0	5
78	P0B1	6
79	P0B2	7
80	P0B3	8
76	P0B4	9
121	P0B5	10
122	P0B6	11
123	P0B7	12
31	P1B0	13
81	P1B1	14
32	P1B2	15
33	P1B3	16
83	P1B4	17
84	P1B5	18
35	P1B6	19
85	P1B7	20
86	P2B0	21
37	P2B1	22
87	P2B2	23
38	P2B3	24
88	P2B4	25
39	P2B5	26
89	P2B6	27
90	P2B7	28
41	P3B0	29
91	P3B1	30
92	P3B2	31
93	P3B3	32
45	P3B4	33
94	P3B5	34
46	P3B6	35
95	P3B7	36

VCC PINS: 104, 107, 115, 124,  
127, 136, 138, 143,  
145, 147, 148, 149

GND PINS: 105, 106, 108, 114,  
116, 117, 118, 125,  
126, 128, 134, 135,  
137, 142, 144, 146

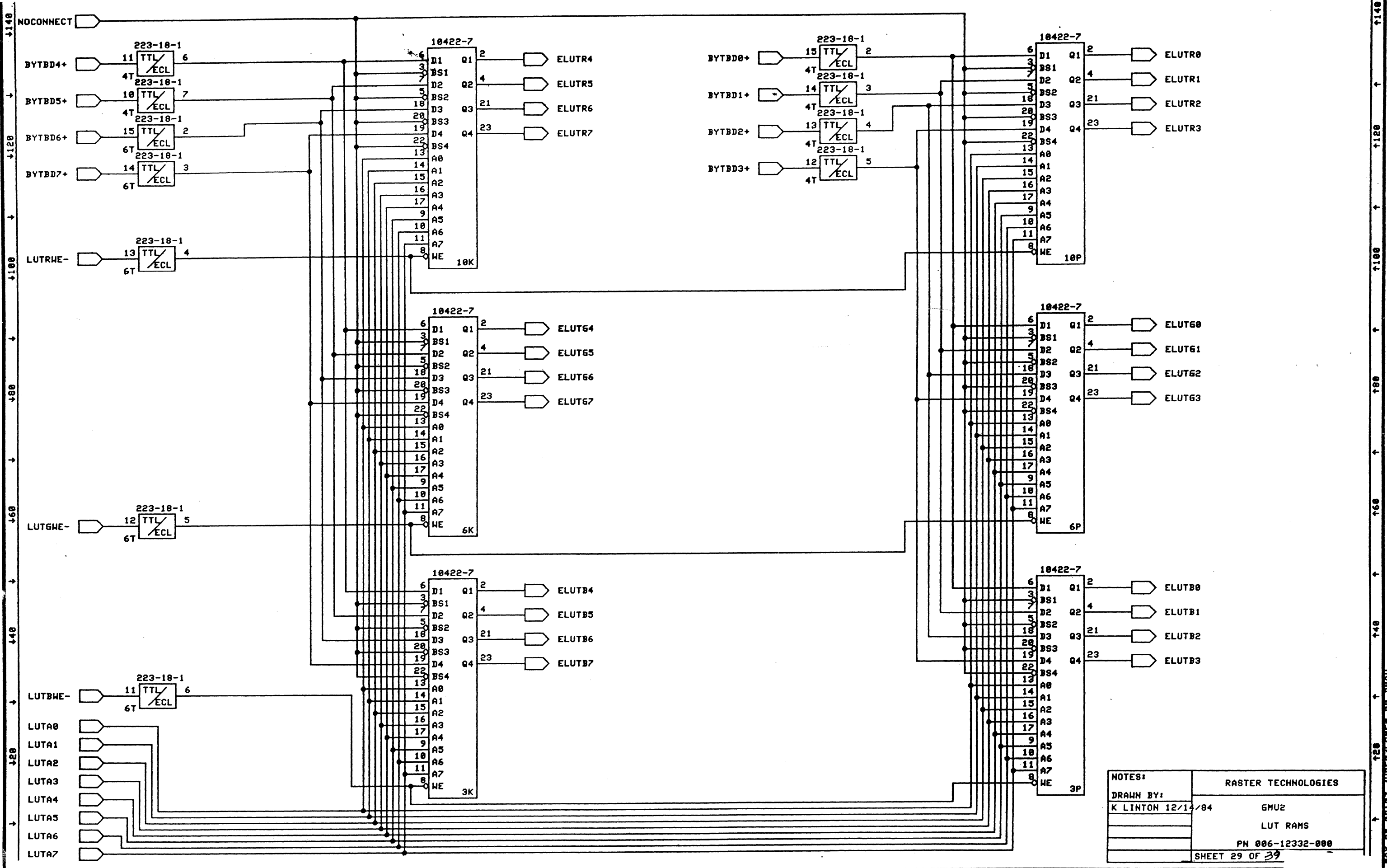
171-6-1  
63  
3AC

RBM 40  
ADRCLK 42  
BPCLK 44  
T40CLK 43  
ECLK 66  
IDCLK0 34  
IDCLK1 36  
BSEL0 27  
BSEL1 28  
BSEL2 79  
BSEL3 30  
BSEL4 82  
HIGH 13  
BLANK 12  
LUTA0 26  
LUTA1 24  
LUTA2 23  
LUTA3 22  
LUTA4 18  
LUTA5 17  
LUTA6 16  
LUTA7 14

NOTE: THIS IS A SIGNAL GROUND.  
IT IS NOT TO BE TIED  
DIRECTLY TO 100 PLANE.

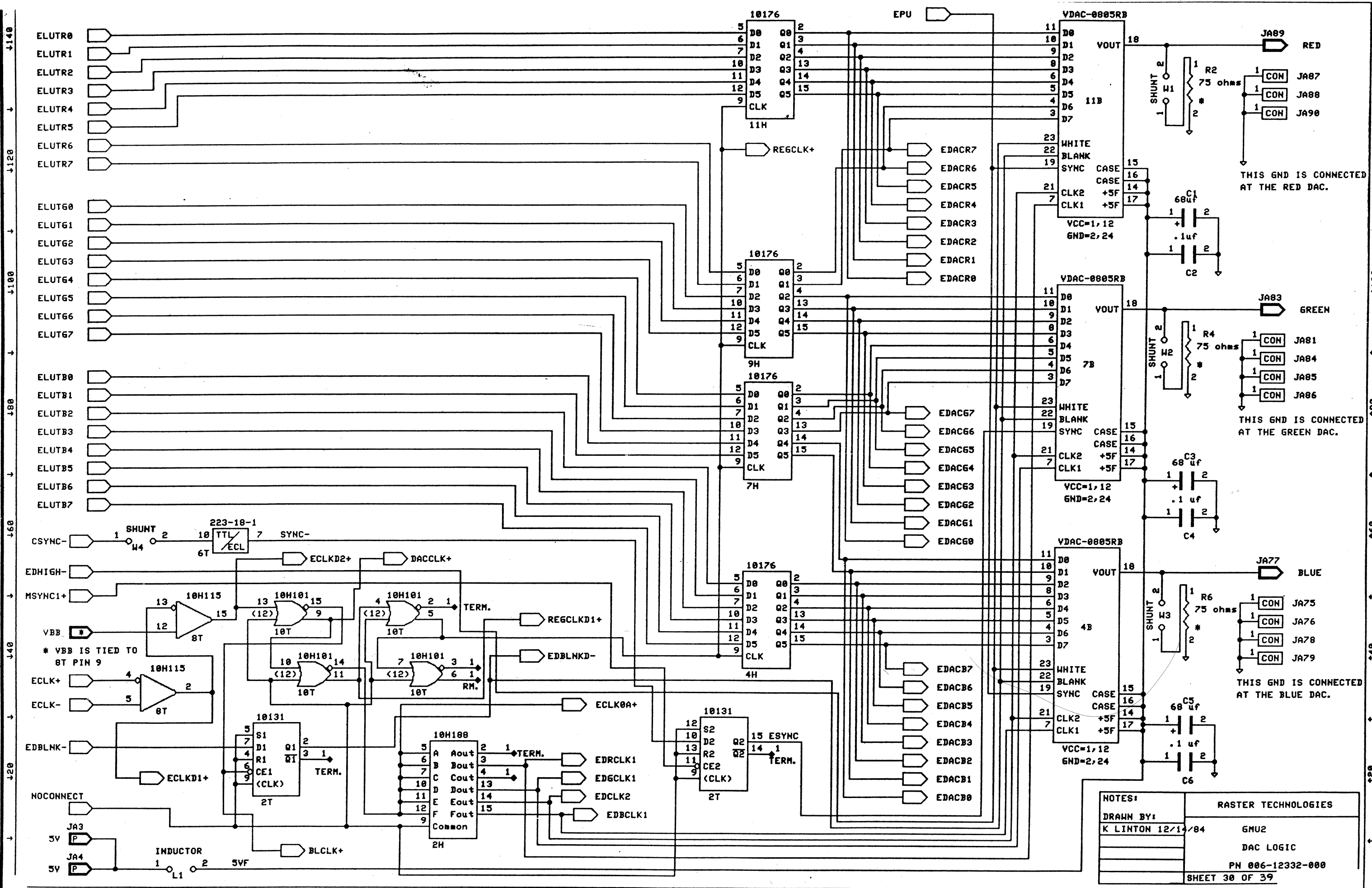
NOTES:	RASTER TECHNOLOGIES
DRAWN BY:	GMU2
K LINTON 12/14/84	ECL VIDEO CONTROLLER
	PN 006-12332-000
	SHEET 28 OF 39

MAY 85 09185 708ER/CLEMEN 28.DRAW



NOTES:	RASTER TECHNOLOGIES
DRAWN BY:	GMU2
K LINTON 12/14/84	LUT RAMS
	PN 006-12332-000
	SHEET 29 OF 39

RAY 85 03187 ZUBER/LECHEN 29. DRAM



NOTES:

DRAWN BY: K LINTON 12/14/84

RASTER TECHNOLOGIES

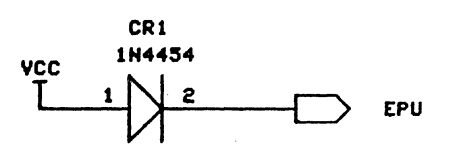
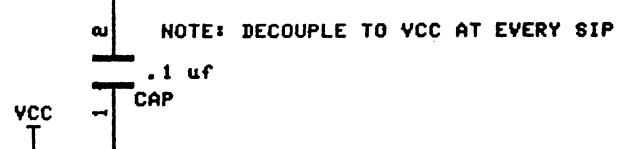
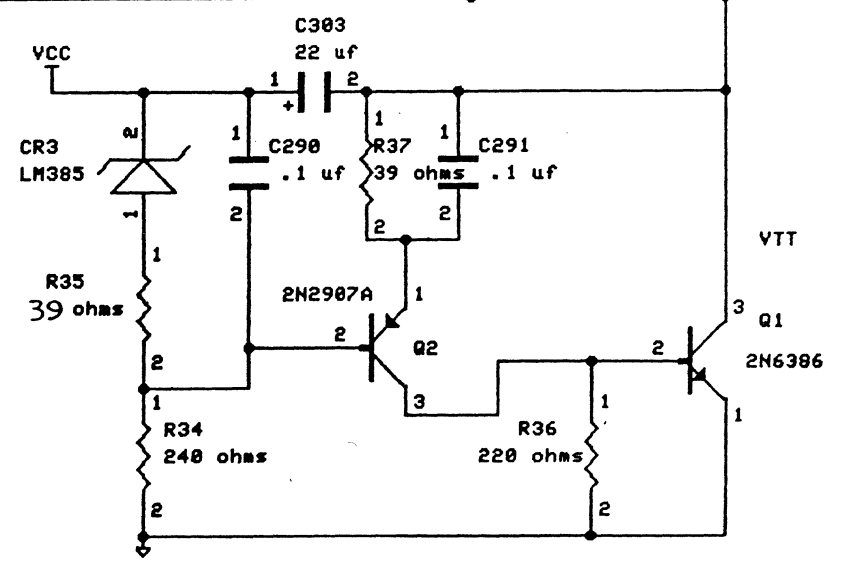
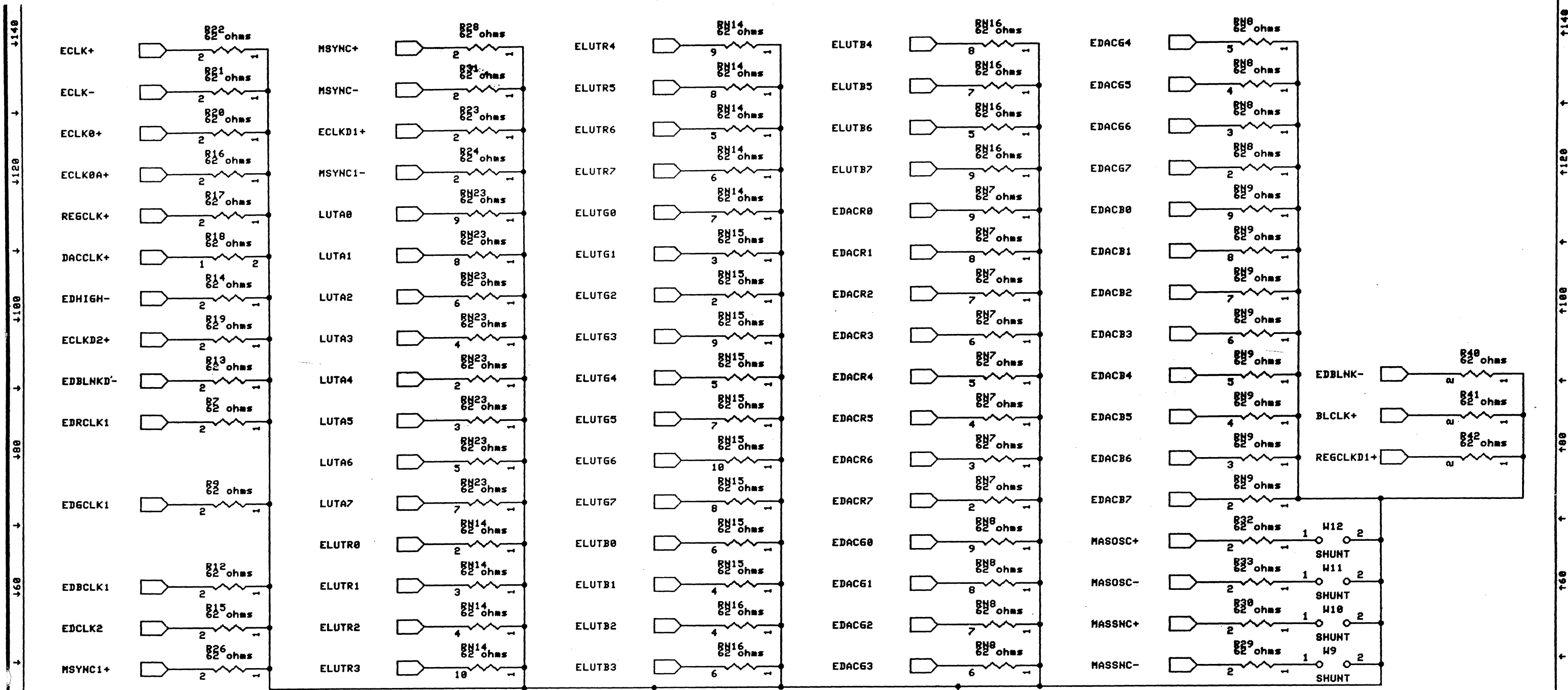
GMU2

DAC LOGIC

PN 006-12332-000

SHEET 30 OF 39

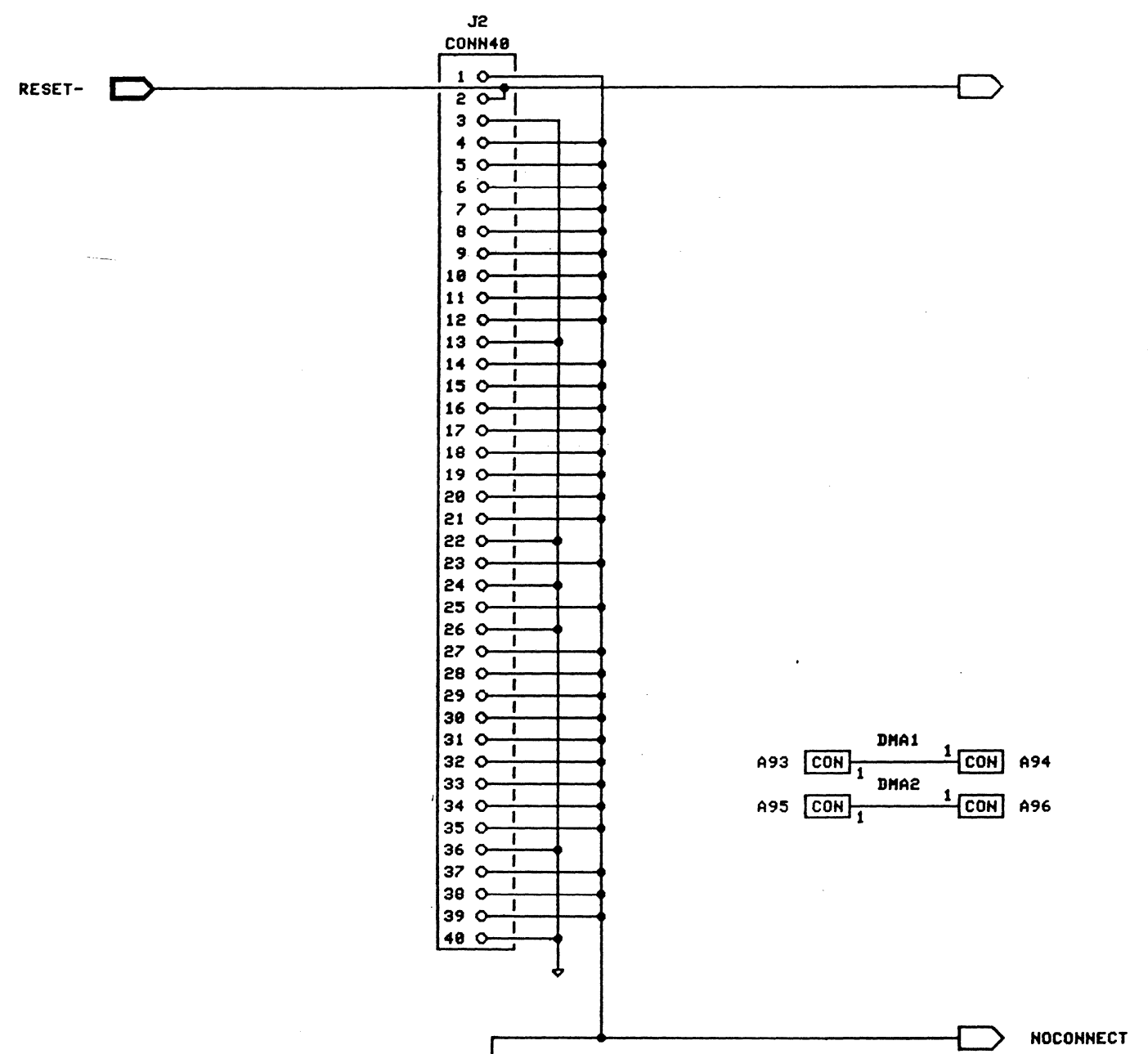
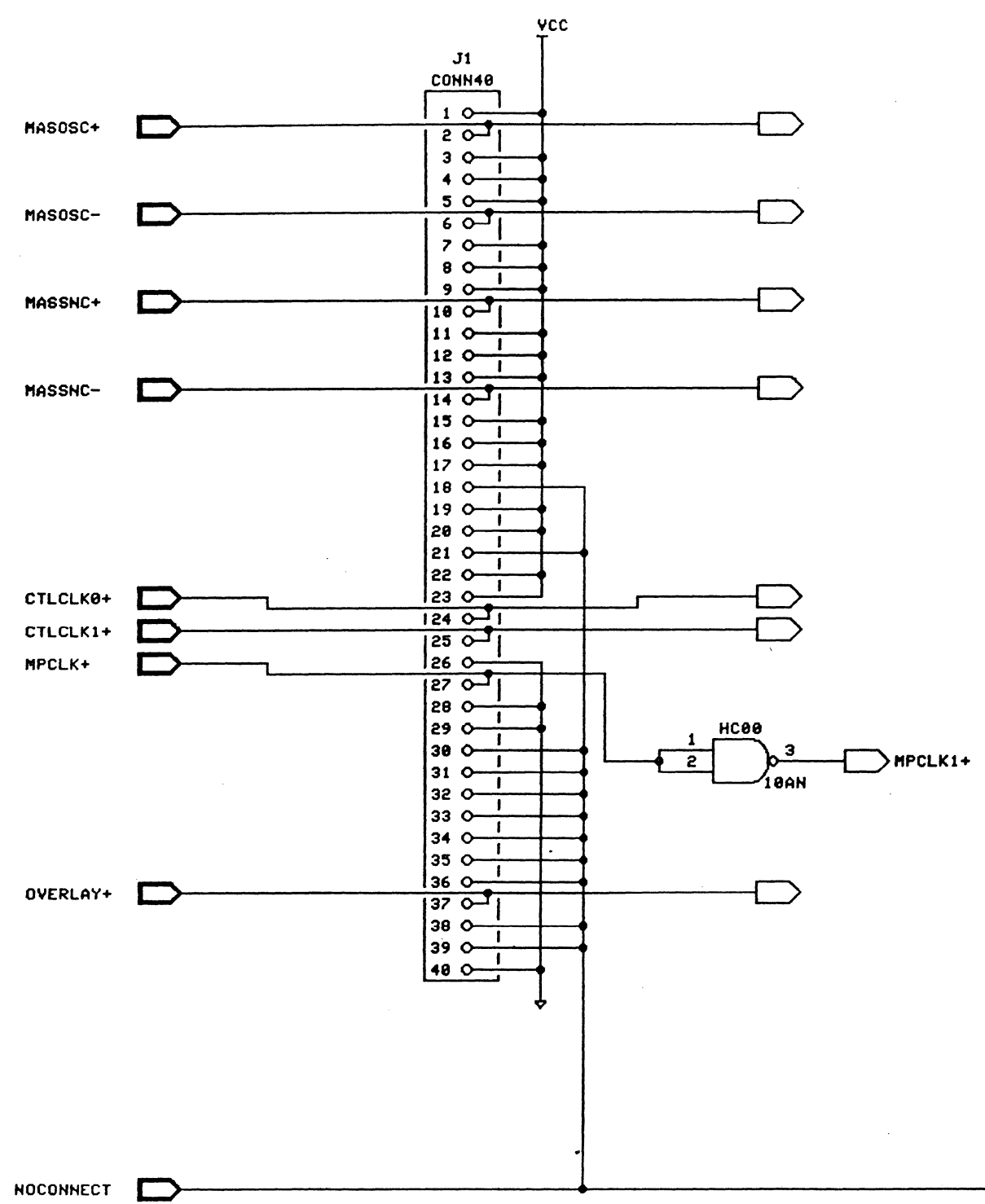
MAY 85 091087 USER/PCHEM 30.DRAW



NOTES:	RASTER TECHNOLOGIES
DRAWN BY:	GMU2
K LINTON 12/14/84	ECL TERMINATION
	PN 006-12332-000
	SHEET 31 OF 39

MAY 85 09109 708ER7LCHEN ST. DRAM

↑140  
↑  
↑120  
↑  
↑100  
↑  
↑80  
↑  
↑60  
↑  
↑40  
↑  
↑20  
↑

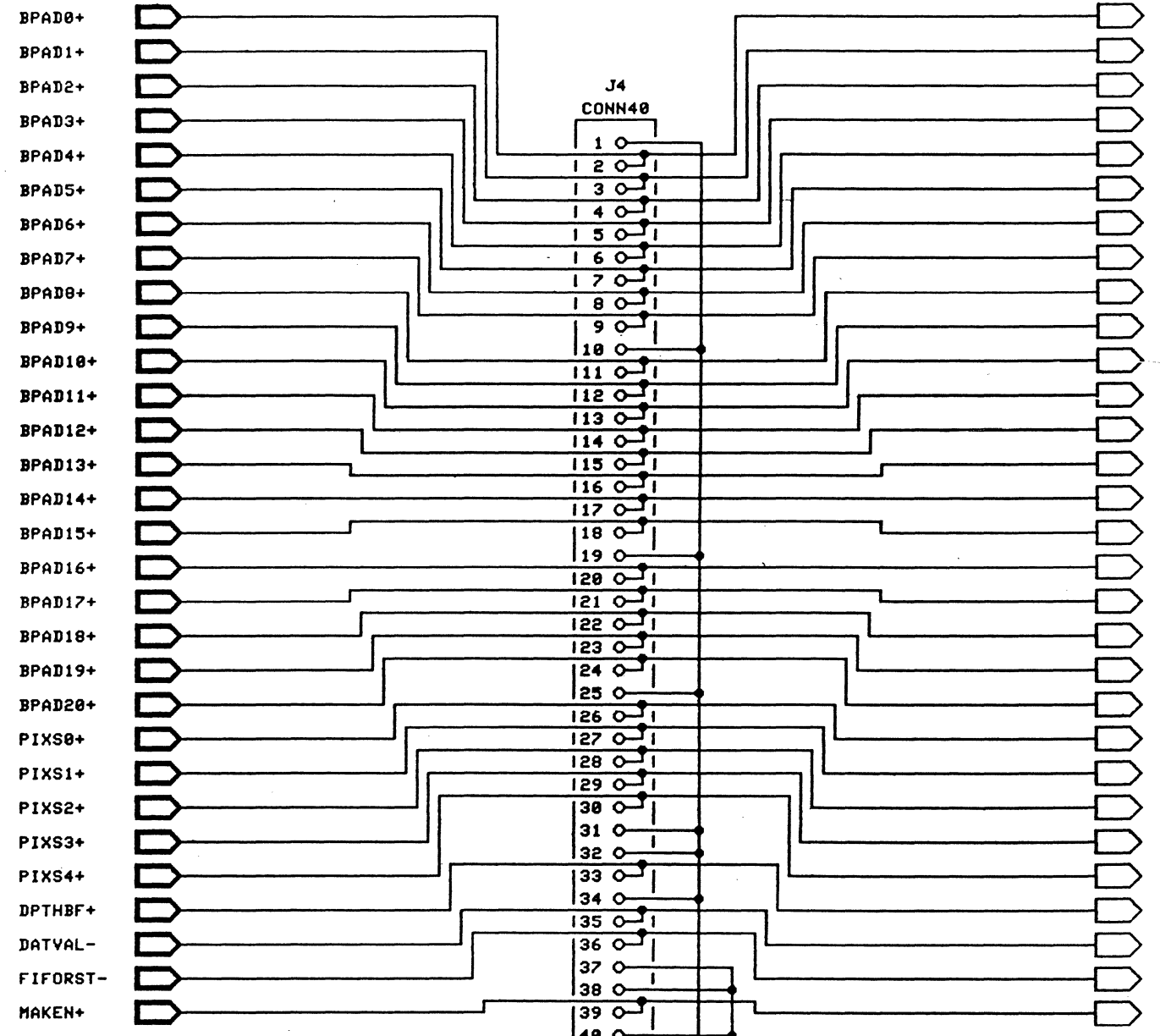
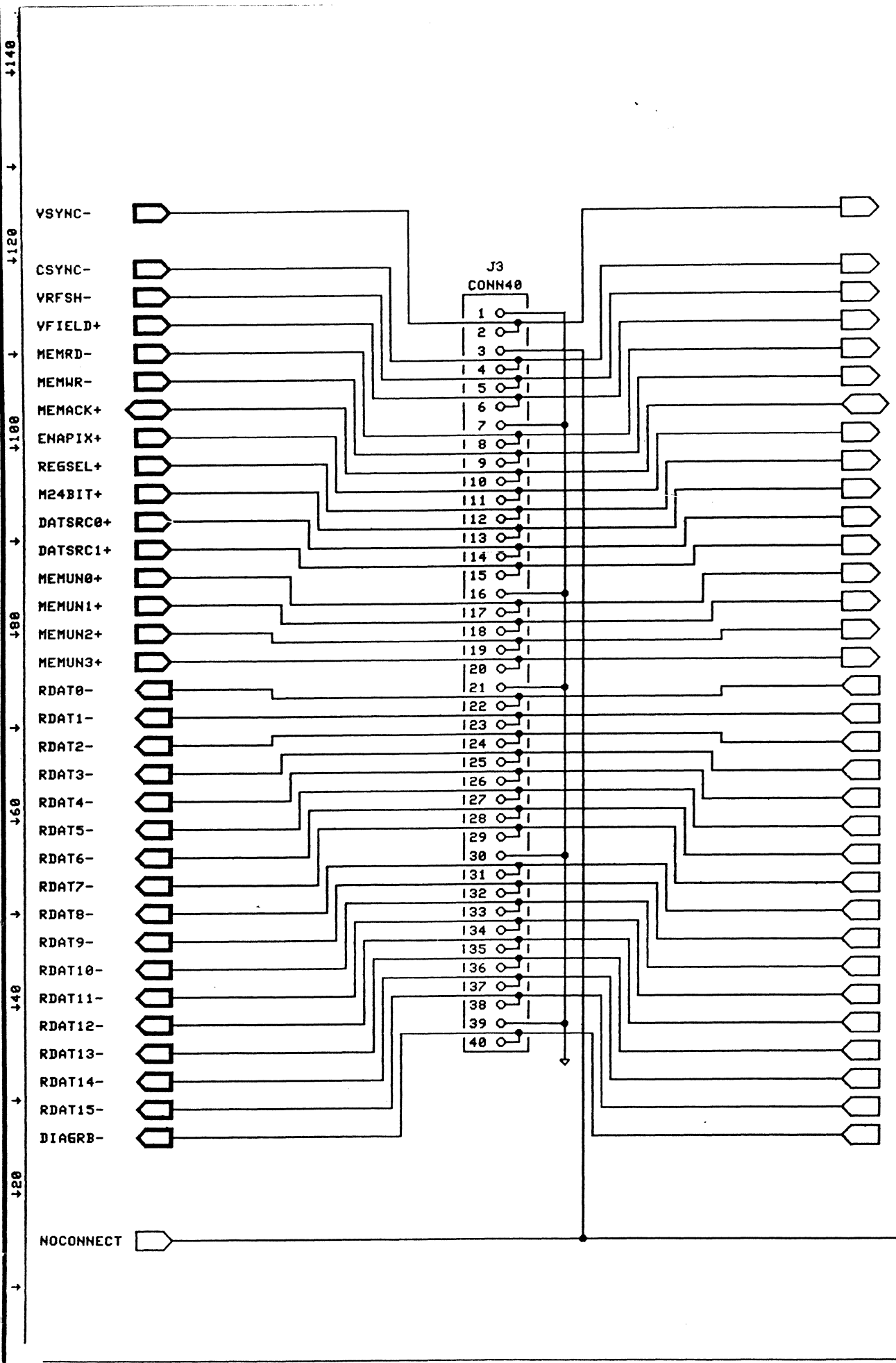


↑140  
↑  
↑120  
↑  
↑100  
↑  
↑80  
↑  
↑60  
↑  
↑40  
↑  
↑20  
↑

NOTES:	RASTER TECHNOLOGIES
DRAWN BY:	GMU2
K LINTON 12/14/84	J CONNECTORS 1 & 2
	PM 006-12332-000
	SHEET 32 OF 39

MAY 85 09111 ZUSER/LECHEN 3E. DRAM



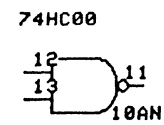
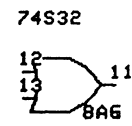
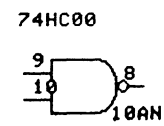
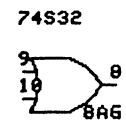
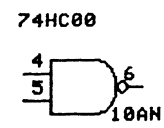
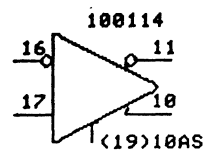
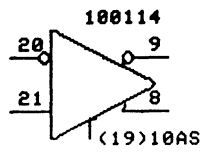


NOTES:	RASTER TECHNOLOGIES
DRAWN BY:	6MU2
K LINTON 12/14/84	J CONNECTORS 3 & 4
	PN 006-12332-000
	SHEET 33 OF 39

1140  
1120  
1100  
1080  
1060  
1040  
1020

1140  
1120  
1100  
1080  
1060  
1040  
1020  
MAY 85 0911Z ZUBERZLCHEM 33. DRAH

↑140  
↓  
↑120  
↓  
↑100  
↓  
↑80  
↓  
↑60  
↓  
↑40  
↓  
↑20



NOTES:

- 1) 16 PIN POSITIONS AVAIL. J 3AM, 47AS
- 2) 20 PIN POSITIONS AVAIL. J 40AP, 49AP
- 3) THESE COMPONENTS ARE NOT LOADED ON 768 SYSTEMS
- 4) THESE COMPONENTS ARE NOT LOADED ON 1024 SYSTEMS
- 5) THESE COMPONENTS ARE NOT LOADED ON 1280-4 BIT SYSTEMS

↑140  
↑  
↑120  
↑  
↑100  
↑  
↑80  
↑  
↑60  
↑  
↑40  
↑  
↑20  
MAY 85 09116 /05ER/LENER 4E. DRAM

NOTES:	RASTER TECHNOLOGIES
DRAWN BY:	GMU2
K LINTON 12/14/84	SPARE GATES
	PN 006-12332-000
	SHEET 34 OF 39

INTERNAL CROSS-REF FOR BLOCK /LCMEM

KEY	CONNECTOR NAME	SIGNAL NAME	FLAG	ATTR	WIDTH	PAGES
2	5V	5V	0150	0002	1	30:B
3	ADCCLK	ADCCLK	1250	0044	1	23:0, 27:I
4	ADRCLK	ADRCLK+	1250	0044	1	21:I, 27:I, 28:0
5	BBPAD10+	BBPAD10+	1250	0044	1	22:0, 28:I
6	BBPAD11+	BBPAD11+	1250	0044	1	22:0, 28:I
7	BBPAD12+	BBPAD12+	1250	0044	1	22:0, 28:I
8	BBPAD13+	BBPAD13+	1250	0044	1	22:0, 28:I
9	BBPAD14+	BBPAD14+	1250	0044	1	22:0, 28:I
10	BBPAD15+	BBPAD15+	1250	0044	1	22:0, 28:I
11	BBPAD8+	BBPAD8+	1250	0044	1	22:0, 28:I
12	BBPAD9+	BBPAD9+	1250	0044	1	22:0, 28:I
13	BLCLK+	BLCLK+	1250	0044	1	30:IO, 31:B
14	BLUE	BLUE	1350	0024	1	27:B, 30:OB
15	BLXXHEQ-	BLXXHEQ-	1250	0044	1	25:0, 28:I
16	BPAD0+	BPAD0+	1350	0046	1	26:I, 33:B
17	BPAD1+	BPAD1+	1350	0046	1	26:I, 33:B
18	BPAD10+	BPAD10+	1350	0046	1	22:I, 26:I, 33:B
19	BPAD11+	BPAD11+	1350	0046	1	22:I, 26:I, 33:B
20	BPAD12+	BPAD12+	1350	0046	1	22:I, 26:I, 33:B
21	BPAD13+	BPAD13+	1350	0046	1	22:I, 26:I, 33:B
22	BPAD14+	BPAD14+	1350	0046	1	22:I, 26:I, 33:B
23	BPAD15+	BPAD15+	1350	0046	1	22:I, 26:I, 33:B
24	BPAD16+	BPAD16+	1350	0046	1	26:I, 33:B
25	BPAD17+	BPAD17+	1350	0046	1	26:I, 33:B
26	BPAD18+	BPAD18+	1350	0046	1	26:I, 33:B
27	BPAD19+	BPAD19+	1350	0046	1	26:I, 33:B
28	BPAD2+	BPAD2+	1350	0046	1	26:I, 33:B
29	BPAD20+	BPAD20+	1350	0046	1	26:I, 33:B
30	BPAD3+	BPAD3+	1350	0046	1	26:I, 33:B
31	BPAD4+	BPAD4+	1350	0046	1	26:I, 33:B
32	BPAD5+	BPAD5+	1350	0046	1	26:I, 33:B
33	BPAD6+	BPAD6+	1350	0046	1	26:I, 33:B
34	BPAD7+	BPAD7+	1350	0046	1	26:I, 33:B
35	BPAD8+	BPAD8+	1350	0046	1	22:I, 26:I, 33:B
36	BPAD9+	BPAD9+	1350	0046	1	22:I, 26:I, 33:B
37	BPCLK+	BPCLK+	1250	0044	1	22:I, 25:IO, 26:I, 27:I
38	BPCLK-	BPCLK-	1250	0044	1	23:I, 25:I, 28:0
39	BT40CLK+	BT40CLK+	1250	0044	1	25:0, 26:I
40	BYTBD0+	BYTBD0+	1250	0044	1	22:I, 25:I, 26:0, 27:0, 28:I, 29:I
41	BYTBD1+	BYTBD1+	1250	0044	1	22:I, 25:I, 26:0, 27:0, 28:I, 29:I
42	BYTBD2+	BYTBD2+	1250	0044	1	22:I, 25:I, 26:0, 27:0, 28:I, 29:I
43	BYTBD3+	BYTBD3+	1250	0044	1	22:I, 25:I, 26:0, 27:0, 28:I, 29:I
44	BYTBD4+	BYTBD4+	1250	0044	1	22:I, 25:I, 26:0, 27:IO, 28:I, 29:I
45	BYTBD5+	BYTBD5+	1250	0044	1	22:I, 25:I, 26:0, 27:IO, 28:I, 29:I
46	BYTBD6+	BYTBD6+	1250	0044	1	22:I, 25:I, 26:0, 27:IO, 28:I, 29:I
47	BYTBD7+	BYTBD7+	1250	0044	1	22:I, 25:I, 26:0, 27:IO, 28:I, 29:I
48	CSYNC-	CSYNC-	1350	0046	1	30:B, 33:B
49	CTLCLK+	CTLCLK+	1250	0044	1	26:0, 27:I, 28:I
50	CTLCLK0+	CTLCLK0+	1350	0046	1	28:I, 32:B
51	CTLCLK1+	CTLCLK1+	1350	0046	1	28:I, 32:B
52	DACCLK+	DACCLK+	1250	0044	1	30:IO, 31:B
53	DATSRC0+	DATSRC0+	1350	0046	1	25:IB, 33:B
54	DATSRC1+	DATSRC1+	1350	0046	1	25:IB, 33:B
55	DATVAL-	DATVAL-	1350	0046	1	26:I, 33:B
56	DIAGCLK+	DIAGCLK+	1250	0044	1	26:0, 27:I, 28:I
57	DIAGRB-	DIAGRB-	1350	0064	1	27:0, 33:B
58	DIAGSRC-	DIAGSRC-	1250	0044	1	26:0, 27:I
59	DPTHBF+	DPTHBF+	1350	0046	1	26:I, 33:B

GMU 2  
 006-12332-000  
 SHEET 35 OF 39

INTERNAL CROSS-REF FOR BLOCK /LCMEM

KEY	CONNECTOR NAME	SIGNAL NAME	FLAG	ATTR	WIDTH	PAGES
60	ECLK+	ECLK+	1250	0044	1	25:0, 28:I, 30:I, 31:B
61	ECLK-	ECLK-	1250	0044	1	25:0, 28:I, 30:I, 31:B
62	ECLK0+	ECLK0+	1250	0044	1	28:0, 31:B
63	ECLK0A+	ECLK0A+	1250	0044	1	30:IO, 31:B
64	ECLKD1+	ECLKD1+	1250	0044	1	30:IO, 31:B
65	ECLKD2+	ECLKD2+	1250	0044	1	30:IO, 31:B
66	EDACB0	EDACB0	1250	0044	1	30:IO, 31:B
67	EDACB1	EDACB1	1250	0044	1	30:IO, 31:B
68	EDACB2	EDACB2	1250	0044	1	30:IO, 31:B
69	EDACB3	EDACB3	1250	0044	1	30:IO, 31:B
70	EDACB4	EDACB4	1250	0044	1	30:IO, 31:B
71	EDACB5	EDACB5	1250	0044	1	30:IO, 31:B
72	EDACB6	EDACB6	1250	0044	1	30:IO, 31:B
73	EDACB7	EDACB7	1250	0044	1	30:IO, 31:B
74	EDACG0	EDACG0	1250	0044	1	30:IO, 31:B
75	EDACG1	EDACG1	1250	0044	1	30:IO, 31:B
76	EDACG2	EDACG2	1250	0044	1	30:IO, 31:B
77	EDACG3	EDACG3	1250	0044	1	30:IO, 31:B
78	EDACG4	EDACG4	1250	0044	1	30:IO, 31:B
79	EDACG5	EDACG5	1250	0044	1	30:IO, 31:B
80	EDACG6	EDACG6	1250	0044	1	30:IO, 31:B
81	EDACG7	EDACG7	1250	0044	1	30:IO, 31:B
82	EDACR0	EDACR0	1250	0044	1	30:IO, 31:B
83	EDACR1	EDACR1	1250	0044	1	30:IO, 31:B
84	EDACR2	EDACR2	1250	0044	1	30:IO, 31:B
85	EDACR3	EDACR3	1250	0044	1	30:IO, 31:B
86	EDACR4	EDACR4	1250	0044	1	30:IO, 31:B
87	EDACR5	EDACR5	1250	0044	1	30:IO, 31:B
88	EDACR6	EDACR6	1250	0044	1	30:IO, 31:B
89	EDACR7	EDACR7	1250	0044	1	30:IO, 31:B
90	EDBCLK1	EDBCLK1	1250	0044	1	30:IO, 31:B
91	EDBLNK-	EDBLNK-	1250	0044	1	28:0, 30:I, 31:B
92	EDBLNKD-	EDBLNKD-	1250	0044	1	30:IO, 31:B
93	EDCLK2	EDCLK2	1250	0044	1	30:IO, 31:B
94	EDGCLK1	EDGCLK1	1250	0044	1	30:IO, 31:B
95	EDHIGH-	EDHIGH-	1250	0044	1	28:0, 30:I, 31:B
96	EDRCLK1	EDRCLK1	1250	0044	1	30:IO, 31:B
97	ELUTB0	ELUTB0	1250	0044	1	29:0, 30:I, 31:B
98	ELUTB1	ELUTB1	1250	0044	1	29:0, 30:I, 31:B
99	ELUTB2	ELUTB2	1250	0044	1	29:0, 30:I, 31:B
100	ELUTB3	ELUTB3	1250	0044	1	29:0, 30:I, 31:B
101	ELUTB4	ELUTB4	1250	0044	1	29:0, 30:I, 31:B
102	ELUTB5	ELUTB5	1250	0044	1	29:0, 30:I, 31:B
103	ELUTB6	ELUTB6	1250	0044	1	29:0, 30:I, 31:B
104	ELUTB7	ELUTB7	1250	0044	1	29:0, 30:I, 31:B
105	ELUTG0	ELUTG0	1250	0044	1	29:0, 30:I, 31:B
106	ELUTG1	ELUTG1	1250	0044	1	29:0, 30:I, 31:B
107	ELUTG2	ELUTG2	1250	0044	1	29:0, 30:I, 31:B
108	ELUTG3	ELUTG3	1250	0044	1	29:0, 30:I, 31:B
109	ELUTG4	ELUTG4	1250	0044	1	29:0, 30:I, 31:B
110	ELUTG5	ELUTG5	1250	0044	1	29:0, 30:I, 31:B
111	ELUTG6	ELUTG6	1250	0044	1	29:0, 30:I, 31:B
112	ELUTG7	ELUTG7	1250	0044	1	29:0, 30:I, 31:B
113	ELUTR0	ELUTR0	1250	0044	1	29:0, 30:I, 31:B
114	ELUTR1	ELUTR1	1250	0044	1	29:0, 30:I, 31:B
115	ELUTR2	ELUTR2	1250	0044	1	29:0, 30:I, 31:B
116	ELUTR3	ELUTR3	1250	0044	1	29:0, 30:I, 31:B
117	ELUTR4	ELUTR4	1250	0044	1	29:0, 30:I, 31:B

TERNAL CROSS-REF FOR BLOCK /LCMEM

KEY	CONNECTOR NAME	SIGNAL NAME	FLAG	ATTR	WIDTH	PAGES
118	ELUTR5	ELUTR5	1250	0044	1	29:0, 30:I, 31:B
119	ELUTR6	ELUTR6	1250	0044	1	29:0, 30:I, 31:B
120	ELUTR7	ELUTR7	1250	0044	1	29:0, 30:I, 31:B
121	EMAVAIL-	EMAVAIL-	1250	0044	1	23:I, 26:0
122	ENAPIX+	ENAPIX+	1350	0046	1	26:I, 33:B
123	EPU	EPU	1250	0044	1	30:I, 31:B
124	ERBM	ERBM	1250	0044	1	27:I, 28:0
125	EXTBLNK-	EXTBLNK-	1250	0044	1	25:IB, 28:I
126	FIFORST-	FIFORST-	1350	0046	1	26:I, 33:B
127	GADIAG+	GADIAG+	1250	0044	1	24:IB, 25:I, 26:0
0	GND	GND	1000	0100	1	1:I, 2:I, 3:I, 4:I, 5:I, 6:I, 7:I, 8:I, 9:I, 10:I, 11:I, 12:I, 13:I, 14:I, 15:I, 16:I, 17:I, 18:I, 19:I, 20:I, 21:I, 22:I, 23:I, 24:I, 25:IB, 27:IB, 28:I, 30:B, 31:B, 32:B, 33:B
128	GREEN	GREEN	1350	0024	1	27:B, 30:OB
129	HBNKAD0+	HBNKAD0+	1250	0044	1	21:I, 26:0
130	HBNKAD1+	HBNKAD1+	1250	0044	1	21:I, 26:0
131	HBNKAD2+	HBNKAD2+	1250	0044	1	21:I, 26:0
132	HBNKAD3+	HBNKAD3+	1250	0044	1	21:I, 26:0
133	HBNKAD4+	HBNKAD4+	1250	0044	1	21:I, 26:0
134	HBNKAD5+	HBNKAD5+	1250	0044	1	21:I, 26:0
135	HBNKAD6+	HBNKAD6+	1250	0044	1	21:I, 26:0
136	HBNKAD7+	HBNKAD7+	1250	0044	1	21:I, 26:0
137	HCAS0-	HCAS0-	1250	0044	1	1:I, 23:B
138	HCAS1-	HCAS1-	1250	0044	1	2:I, 23:B
139	HCAS10-	HCAS10-	1250	0044	1	11:I, 23:B
140	HCAS11-	HCAS11-	1250	0044	1	12:I, 23:B
141	HCAS12-	HCAS12-	1250	0044	1	13:I, 23:B
142	HCAS13-	HCAS13-	1250	0044	1	14:I, 23:B
143	HCAS14-	HCAS14-	1250	0044	1	15:I, 23:B
144	HCAS15-	HCAS15-	1250	0044	1	16:I, 23:B
145	HCAS16-	HCAS16-	1250	0044	1	17:I, 23:B
146	HCAS17-	HCAS17-	1250	0044	1	18:I, 23:B
147	HCAS18-	HCAS18-	1250	0044	1	19:I, 23:B
148	HCAS19-	HCAS19-	1250	0044	1	20:I, 23:B
149	HCAS2-	HCAS2-	1250	0044	1	3:I, 23:B
150	HCAS3-	HCAS3-	1250	0044	1	4:I, 23:B
151	HCAS4-	HCAS4-	1250	0044	1	5:I, 23:B
152	HCAS5-	HCAS5-	1250	0044	1	6:I, 23:B
153	HCAS6-	HCAS6-	1250	0044	1	7:I, 23:B
154	HCAS7-	HCAS7-	1250	0044	1	8:I, 23:B
155	HCAS8-	HCAS8-	1250	0044	1	9:I, 23:B
156	HCAS9-	HCAS9-	1250	0044	1	10:I, 23:B
157	HEACAS-	HEACAS-	1250	0044	1	23:I, 26:0
158	HICARD+	HICARD+	1250	0044	1	24:IB, 25:B, 26:I, 27:I
159	IADD0B0+	IADD0B0+	1250	0044	1	1:I, 5:I, 9:I, 13:I, 17:I, 21:0
160	IADD0B1+	IADD0B1+	1250	0044	1	1:I, 5:I, 9:I, 13:I, 17:I, 21:0
161	IADD0B2+	IADD0B2+	1250	0044	1	1:I, 5:I, 9:I, 13:I, 17:I, 21:0
162	IADD0B3+	IADD0B3+	1250	0044	1	1:I, 5:I, 9:I, 13:I, 17:I, 21:0
163	IADD0B4+	IADD0B4+	1250	0044	1	1:I, 5:I, 9:I, 13:I, 17:I, 21:0
164	IADD0B5+	IADD0B5+	1250	0044	1	1:I, 5:I, 9:I, 13:I, 17:I, 21:0
165	IADD0B6+	IADD0B6+	1250	0044	1	1:I, 5:I, 9:I, 13:I, 17:I, 21:0
166	IADD0B7+	IADD0B7+	1250	0044	1	1:I, 5:I, 9:I, 13:I, 17:I, 21:0
167	IADD1B0+	IADD1B0+	1250	0044	1	2:I, 6:I, 10:I, 14:I, 18:I, 21:0
168	IADD1B1+	IADD1B1+	1250	0044	1	2:I, 6:I, 10:I, 14:I, 18:I, 21:0
169	IADD1B2+	IADD1B2+	1250	0044	1	2:I, 6:I, 10:I, 14:I, 18:I, 21:0
170	IADD1B3+	IADD1B3+	1250	0044	1	2:I, 6:I, 10:I, 14:I, 18:I, 21:0

TERNAL CROSS-REF FOR BLOCK /LCMEM

KEY	CONNECTOR NAME	SIGNAL NAME	FLAG	ATTR	WIDTH	PAGES
171	IADD1B4+	IADD1B4+	1250	0044	1	2:I, 6:I, 10:I, 14:I, 18:I, 21:0
172	IADD1B5+	IADD1B5+	1250	0044	1	2:I, 6:I, 10:I, 14:I, 18:I, 21:0
173	IADD1B6+	IADD1B6+	1250	0044	1	2:I, 6:I, 10:I, 14:I, 18:I, 21:0
174	IADD1B7+	IADD1B7+	1250	0044	1	2:I, 6:I, 10:I, 14:I, 18:I, 21:0
175	IADD2B0+	IADD2B0+	1250	0044	1	1:I, 5:I, 9:I, 13:I, 17:I, 21:0
176	IADD2B1+	IADD2B1+	1250	0044	1	1:I, 5:I, 9:I, 13:I, 17:I, 21:0
177	IADD2B2+	IADD2B2+	1250	0044	1	1:I, 5:I, 9:I, 13:I, 17:I, 21:0
178	IADD2B3+	IADD2B3+	1250	0044	1	1:I, 5:I, 9:I, 13:I, 17:I, 21:0
179	IADD2B4+	IADD2B4+	1250	0044	1	1:I, 5:I, 9:I, 13:I, 17:I, 21:0
180	IADD2B5+	IADD2B5+	1250	0044	1	1:I, 5:I, 9:I, 13:I, 17:I, 21:0
181	IADD2B6+	IADD2B6+	1250	0044	1	1:I, 5:I, 9:I, 13:I, 17:I, 21:0
182	IADD2B7+	IADD2B7+	1250	0044	1	1:I, 5:I, 9:I, 13:I, 17:I, 21:0
183	IADD3B0+	IADD3B0+	1250	0044	1	2:I, 6:I, 10:I, 14:I, 18:I, 21:0
184	IADD3B1+	IADD3B1+	1250	0044	1	2:I, 6:I, 10:I, 14:I, 18:I, 21:0
185	IADD3B2+	IADD3B2+	1250	0044	1	2:I, 6:I, 10:I, 14:I, 18:I, 21:0
186	IADD3B3+	IADD3B3+	1250	0044	1	2:I, 6:I, 10:I, 14:I, 18:I, 21:0
187	IADD3B4+	IADD3B4+	1250	0044	1	2:I, 6:I, 10:I, 14:I, 18:I, 21:0
188	IADD3B5+	IADD3B5+	1250	0044	1	2:I, 6:I, 10:I, 14:I, 18:I, 21:0
189	IADD3B6+	IADD3B6+	1250	0044	1	2:I, 6:I, 10:I, 14:I, 18:I, 21:0
190	IADD3B7+	IADD3B7+	1250	0044	1	2:I, 6:I, 10:I, 14:I, 18:I, 21:0
191	IADD4B0+	IADD4B0+	1250	0044	1	3:I, 7:I, 11:I, 15:I, 19:I, 21:0
192	IADD4B1+	IADD4B1+	1250	0044	1	3:I, 7:I, 11:I, 15:I, 19:I, 21:0
193	IADD4B2+	IADD4B2+	1250	0044	1	3:I, 7:I, 11:I, 15:I, 19:I, 21:0
194	IADD4B3+	IADD4B3+	1250	0044	1	3:I, 7:I, 11:I, 15:I, 19:I, 21:0
195	IADD4B4+	IADD4B4+	1250	0044	1	3:I, 7:I, 11:I, 15:I, 19:I, 21:0
196	IADD4B5+	IADD4B5+	1250	0044	1	3:I, 7:I, 11:I, 15:I, 19:I, 21:0
197	IADD4B6+	IADD4B6+	1250	0044	1	3:I, 7:I, 11:I, 15:I, 19:I, 21:0
198	IADD4B7+	IADD4B7+	1250	0044	1	3:I, 7:I, 11:I, 15:I, 19:I, 21:0
199	IADD5B0+	IADD5B0+	1250	0044	1	4:I, 8:I, 12:I, 16:I, 20:I, 21:0
200	IADD5B1+	IADD5B1+	1250	0044	1	4:I, 8:I, 12:I, 16:I, 20:I, 21:0
201	IADD5B2+	IADD5B2+	1250	0044	1	4:I, 8:I, 12:I, 16:I, 20:I, 21:0
202	IADD5B3+	IADD5B3+	1250	0044	1	4:I, 8:I, 12:I, 16:I, 20:I, 21:0
203	IADD5B4+	IADD5B4+	1250	0044	1	4:I, 8:I, 12:I, 16:I, 20:I, 21:0
204	IADD5B5+	IADD5B5+	1250	0044	1	4:I, 8:I, 12:I, 16:I, 20:I, 21:0
205	IADD5B6+	IADD5B6+	1250	0044	1	4:I, 8:I, 12:I, 16:I, 20:I, 21:0
206	IADD5B7+	IADD5B7+	1250	0044	1	4:I, 8:I, 12:I, 16:I, 20:I, 21:0
207	IADD6B0+	IADD6B0+	1250	0044	1	3:I, 7:I, 11:I, 15:I, 19:I, 21:0
208	IADD6B1+	IADD6B1+	1250	0044	1	3:I, 7:I, 11:I, 15:I, 19:I, 21:0
209	IADD6B2+	IADD6B2+	1250	0044	1	3:I, 7:I, 11:I, 15:I, 19:I, 21:0
210	IADD6B3+	IADD6B3+	1250	0044	1	3:I, 7:I, 11:I, 15:I, 19:I, 21:0
211	IADD6B4+	IADD6B4+	1250	0044	1	3:I, 7:I, 11:I, 15:I, 19:I, 21:0
212	IADD6B5+	IADD6B5+	1250	0044	1	3:I, 7:I, 11:I, 15:I, 19:I, 21:0
213	IADD6B6+	IADD6B6+	1250	0044	1	3:I, 7:I, 11:I, 15:I, 19:I, 21:0
214	IADD6B7+	IADD6B7+	1250	0044	1	3:I, 7:I, 11:I, 15:I, 19:I, 21:0
215	IADD7B0+	IADD7B0+	1250	0044	1	4:I, 8:I, 12:I, 16:I, 20:I, 21:0
216	IADD7B1+	IADD7B1+	1250	0044	1	4:I, 8:I, 12:I, 16:I, 20:I, 21:0
217	IADD7B2+	IADD7B2+	1250	0044	1	4:I, 8:I, 12:I, 16:I, 20:I, 21:0
218	IADD7B3+	IADD7B3+	1250	0044	1	4:I, 8:I, 12:I, 16:I, 20:I, 21:0
219	IADD7B4+	IADD7B4+	1250	0044	1	4:I, 8:I, 12:I, 16:I, 20:I, 21:0
220	IADD7B5+	IADD7B5+	1250	0044	1	4:I, 8:I, 12:I, 16:I, 20:I, 21:0
221	IADD7B6+	IADD7B6+	1250	0044	1	4:I, 8:I, 12:I, 16:I, 20:I, 21:0
222	IADD7B7+	IADD7B7+	1250	0044	1	4:I, 8:I, 12:I, 16:I, 20:I, 21:0
223	IDB0P0-	IDB0P0-	1250	0044	1	1:0, 5:0, 9:0, 13:0, 17:0, 28:I
224	IDB0P1-	IDB0P1-	1250	0044	1	1:0, 5:0, 9:0, 13:0, 17:0, 28:I
225	IDB0P2-	IDB0P2-	1250	0044	1	1:0, 5:0, 9:0, 13:0, 17:0, 28:I
226	IDB0P3-	IDB0P3-	1250	0044	1	1:0, 5:0, 9:0, 13:0, 17:0, 28:I
227	IDB0P4-	IDB0P4-	1250	0044	1	1:0, 5:0, 9:0, 13:0, 17:0, 28:I
228	IDB0P5-	IDB0P5-	1250	0044	1	1:0, 5:0, 9:0, 13:0, 17:0, 28:I

GMU 2  
 006-12332-000  
 SHEET 36 OF 39

KEY	CONNECTOR NAME	SIGNAL NAME	FLAG	ATTR	WIDTH	PAGES
229	IDB0P6-	IDB0P6-	1250	0044	1	1:0, 5:0, 9:0, 13:0, 17:0, 28:I
230	IDB0P7-	IDB0P7-	1250	0044	1	1:0, 5:0, 9:0, 13:0, 17:0, 28:I
231	IDB1P0-	IDB1P0-	1250	0044	1	2:0, 6:0, 10:0, 14:0, 18:0, 28:I
232	IDB1P1-	IDB1P1-	1250	0044	1	2:0, 6:0, 10:0, 14:0, 18:0, 28:I
233	IDB1P2-	IDB1P2-	1250	0044	1	2:0, 6:0, 10:0, 14:0, 18:0, 28:I
234	IDB1P3-	IDB1P3-	1250	0044	1	2:0, 6:0, 10:0, 14:0, 18:0, 28:I
235	IDB1P4-	IDB1P4-	1250	0044	1	2:0, 6:0, 10:0, 14:0, 18:0, 28:I
236	IDB1P5-	IDB1P5-	1250	0044	1	2:0, 6:0, 10:0, 14:0, 18:0, 28:I
237	IDB1P6-	IDB1P6-	1250	0044	1	2:0, 6:0, 10:0, 14:0, 18:0, 28:I
238	IDB1P7-	IDB1P7-	1250	0044	1	2:0, 6:0, 10:0, 14:0, 18:0, 28:I
239	IDB2P0-	IDB2P0-	1250	0044	1	3:0, 7:0, 11:0, 15:0, 19:0, 28:I
240	IDB2P1-	IDB2P1-	1250	0044	1	3:0, 7:0, 11:0, 15:0, 19:0, 28:I
241	IDB2P2-	IDB2P2-	1250	0044	1	3:0, 7:0, 11:0, 15:0, 19:0, 28:I
242	IDB2P3-	IDB2P3-	1250	0044	1	3:0, 7:0, 11:0, 15:0, 19:0, 28:I
243	IDB2P4-	IDB2P4-	1250	0044	1	3:0, 7:0, 11:0, 15:0, 19:0, 28:I
244	IDB2P5-	IDB2P5-	1250	0044	1	3:0, 7:0, 11:0, 15:0, 19:0, 28:I
245	IDB2P6-	IDB2P6-	1250	0044	1	3:0, 7:0, 11:0, 15:0, 19:0, 28:I
246	IDB2P7-	IDB2P7-	1250	0044	1	3:0, 7:0, 11:0, 15:0, 19:0, 28:I
247	IDB3P0-	IDB3P0-	1250	0044	1	4:0, 8:0, 12:0, 16:0, 20:0, 28:I
248	IDB3P1-	IDB3P1-	1250	0044	1	4:0, 8:0, 12:0, 16:0, 20:0, 28:I
249	IDB3P2-	IDB3P2-	1250	0044	1	4:0, 8:0, 12:0, 16:0, 20:0, 28:I
250	IDB3P3-	IDB3P3-	1250	0044	1	4:0, 8:0, 12:0, 16:0, 20:0, 28:I
251	IDB3P4-	IDB3P4-	1250	0044	1	4:0, 8:0, 12:0, 16:0, 20:0, 28:I
252	IDB3P5-	IDB3P5-	1250	0044	1	4:0, 8:0, 12:0, 16:0, 20:0, 28:I
253	IDB3P6-	IDB3P6-	1250	0044	1	4:0, 8:0, 12:0, 16:0, 20:0, 28:I
254	IDB3P7-	IDB3P7-	1250	0044	1	4:0, 8:0, 12:0, 16:0, 20:0, 28:I
255	IDBEN0-	IDBEN0-	1250	0044	1	1:I, 2:I, 3:I, 4:I, 28:0
256	IDBEN1-	IDBEN1-	1250	0044	1	5:I, 6:I, 7:I, 8:I, 28:0
257	IDBEN2-	IDBEN2-	1250	0044	1	9:I, 10:I, 11:I, 12:I, 28:0
258	IDBEN3-	IDBEN3-	1250	0044	1	13:I, 14:I, 15:I, 16:I, 28:0
259	IDBEN4-	IDBEN4-	1250	0044	1	17:I, 18:I, 19:I, 20:I, 28:0
260	IDCLK0+	IDCLK0+	1250	0044	1	1:I, 2:I, 3:I, 4:I, 5:I, 6:I, 7:I, 8:I, 9:I, 10:I, 27:0
261	IDCLK0A+	IDCLK0A+	1250	0044	1	27:I, 28:0
262	IDCLK1+	IDCLK1+	1250	0044	1	11:I, 12:I, 13:I, 14:I, 15:I, 16:I, 17:I, 18:I, 19:I, 20:I, 27:0
263	IDCLK1A+	IDCLK1A+	1250	0044	1	27:I, 28:0
264	IDCLKEN-	IDCLKEN-	1250	0044	1	26:0, 28:I
265	IMDSRCH-	IMDSRCH-	1250	0044	1	24:IB, 26:0
266	IMDSRCL-	IMDSRCL-	1250	0044	1	24:IB, 26:0
267	LBNKAD0+	LBNKAD0+	1250	0044	1	21:I, 26:0
268	LBNKAD1+	LBNKAD1+	1250	0044	1	21:I, 26:0
269	LBNKAD2+	LBNKAD2+	1250	0044	1	21:I, 26:0
270	LBNKAD3+	LBNKAD3+	1250	0044	1	21:I, 26:0
271	LBNKAD4+	LBNKAD4+	1250	0044	1	21:I, 26:0
272	LBNKAD5+	LBNKAD5+	1250	0044	1	21:I, 26:0
273	LBNKAD6+	LBNKAD6+	1250	0044	1	21:I, 26:0
274	LBNKAD7+	LBNKAD7+	1250	0044	1	21:I, 26:0
275	LCAS0-	LCAS0-	1250	0044	1	1:I, 23:B
276	LCAS1-	LCAS1-	1250	0044	1	2:I, 23:B
277	LCAS10-	LCAS10-	1250	0044	1	11:I, 23:B
278	LCAS11-	LCAS11-	1250	0044	1	12:I, 23:B
279	LCAS12-	LCAS12-	1250	0044	1	13:I, 23:B
280	LCAS13-	LCAS13-	1250	0044	1	14:I, 23:B
281	LCAS14-	LCAS14-	1250	0044	1	15:I, 23:B
282	LCAS15-	LCAS15-	1250	0044	1	16:I, 23:B
283	LCAS16-	LCAS16-	1250	0044	1	17:I, 23:B
284	LCAS17-	LCAS17-	1250	0044	1	18:I, 23:B

## INTERNAL CROSS-REF FOR BLOCK /LCMEM

KEY	CONNECTOR NAME	SIGNAL NAME	FLAG	ATTR	WIDTH	PAGES
285	LCAS18-	LCAS18-	1250	0044	1	19:I, 23:B
286	LCAS19-	LCAS19-	1250	0044	1	20:I, 23:B
287	LCAS2-	LCAS2-	1250	0044	1	3:I, 23:B
288	LCAS3-	LCAS3-	1250	0044	1	4:I, 23:B
289	LCAS4-	LCAS4-	1250	0044	1	5:I, 23:B
290	LCAS5-	LCAS5-	1250	0044	1	6:I, 23:B
291	LCAS6-	LCAS6-	1250	0044	1	7:I, 23:B
292	LCAS7-	LCAS7-	1250	0044	1	8:I, 23:B
293	LCAS8-	LCAS8-	1250	0044	1	9:I, 23:B
294	LCAS9-	LCAS9-	1250	0044	1	10:I, 23:B
295	LDATSR0+	LDATSR0+	1250	0044	1	25:B, 26:I
296	LDATSR1+	LDATSR1+	1250	0044	1	25:B, 26:I
297	LEACAS-	LEACAS-	1250	0044	1	23:I, 26:0
298	LENAMDB-	LENAMDB-	1250	0044	1	23:I, 24:I, 26:0
299	LPIXS0+	LPIXS0+	1250	0044	1	23:I, 26:0
300	LPIXS1+	LPIXS1+	1250	0044	1	23:I, 26:0
301	LPIXS2+	LPIXS2+	1250	0044	1	23:I, 26:0
302	LPIXS3+	LPIXS3+	1250	0044	1	23:I, 26:0
303	LREGSEL+	LREGSEL+	1250	0044	1	25:B, 26:I
304	LUTA0	LUTA0	1250	0044	1	28:0, 29:I, 31:B
305	LUTA1	LUTA1	1250	0044	1	28:0, 29:I, 31:B
306	LUTA2	LUTA2	1250	0044	1	28:0, 29:I, 31:B
307	LUTA3	LUTA3	1250	0044	1	28:0, 29:I, 31:B
308	LUTA4	LUTA4	1250	0044	1	28:0, 29:I, 31:B
309	LUTA5	LUTA5	1250	0044	1	28:0, 29:I, 31:B
310	LUTA6	LUTA6	1250	0044	1	28:0, 29:I, 31:B
311	LUTA7	LUTA7	1250	0044	1	28:0, 29:I, 31:B
312	LUTBWE-	LUTBWE-	1250	0044	1	26:0, 29:I
313	LUTCLK-	LUTCLK-	1250	0044	1	26:0, 28:I
314	LUTGWE-	LUTGWE-	1250	0044	1	26:0, 29:I
315	LUTRWE-	LUTRWE-	1250	0044	1	26:0, 29:I
316	LXXHEQ-	LXXHEQ-	1250	0044	1	25:I, 26:0
317	M24BIT+	M24BIT+	1350	0046	1	25:I, 33:B
318	MAKEN+	MAKEN+	1350	0046	1	25:IB, 33:B
319	MASOSC+	MASOSC+	1350	0046	1	25:I, 31:B, 32:B
320	MASOSC-	MASOSC-	1350	0046	1	25:I, 31:B, 32:B
321	MASSNC+	MASSNC+	1350	0046	1	25:I, 31:B, 32:B
322	MASSNC-	MASSNC-	1350	0046	1	25:I, 31:B, 32:B
323	MDBEN0-	MDBEN0-	1250	0044	1	1:I, 23:0
324	MDBEN1-	MDBEN1-	1250	0044	1	2:I, 23:0
325	MDBEN10-	MDBEN10-	1250	0044	1	11:I, 23:0
326	MDBEN11-	MDBEN11-	1250	0044	1	12:I, 23:0
327	MDBEN12-	MDBEN12-	1250	0044	1	13:I, 23:0
328	MDBEN13-	MDBEN13-	1250	0044	1	14:I, 23:0
329	MDBEN14-	MDBEN14-	1250	0044	1	15:I, 23:0
330	MDBEN15-	MDBEN15-	1250	0044	1	16:I, 23:0
331	MDBEN16-	MDBEN16-	1250	0044	1	17:I, 23:0
332	MDBEN17-	MDBEN17-	1250	0044	1	18:I, 23:0
333	MDBEN18-	MDBEN18-	1250	0044	1	19:I, 23:0
334	MDBEN19-	MDBEN19-	1250	0044	1	20:I, 23:0
335	MDBEN2-	MDBEN2-	1250	0044	1	3:I, 23:0
336	MDBEN3-	MDBEN3-	1250	0044	1	4:I, 23:0
337	MDBEN4-	MDBEN4-	1250	0044	1	5:I, 23:0
338	MDBEN5-	MDBEN5-	1250	0044	1	6:I, 23:0
339	MDBEN6-	MDBEN6-	1250	0044	1	7:I, 23:0
340	MDBEN7-	MDBEN7-	1250	0044	1	8:I, 23:0
341	MDBEN8-	MDBEN8-	1250	0044	1	9:I, 23:0
342	MDBEN9-	MDBEN9-	1250	0044	1	10:I, 23:0

GMU 2  
006-12332-000

SHEET 37 OF 39

EXTERNAL CROSS-REF FOR BLOCK /LCMEM

KEY	CONNECTOR NAME	SIGNAL NAME	FLAG	ATTR	WIDTH	PAGES
343	MEMACK+	MEMACK+	1350	0044	1	25:0, 26:1, 33:B
344	MEMD0+	MEMD0+	1250	0044	1	1:0, 2:0, 3:0, 4:0, 5:0, 6:0, 7:0, 8:0, 9:0, 10:0, 11:0, 12:0, 13:0, 14:0, 15:0, 16:0, 17:0, 18:0, 19:0, 20:0, 24:I
345	MEMD1+	MEMD1+	1250	0044	1	1:0, 2:0, 3:0, 4:0, 5:0, 6:0, 7:0, 8:0, 9:0, 10:0, 11:0, 12:0, 13:0, 14:0, 15:0, 16:0, 17:0, 18:0, 19:0, 20:0, 24:I
346	MEMD2+	MEMD2+	1250	0044	1	1:0, 2:0, 3:0, 4:0, 5:0, 6:0, 7:0, 8:0, 9:0, 10:0, 11:0, 12:0, 13:0, 14:0, 15:0, 16:0, 17:0, 18:0, 19:0, 20:0, 24:I
347	MEMD3+	MEMD3+	1250	0044	1	1:0, 2:0, 3:0, 4:0, 5:0, 6:0, 7:0, 8:0, 9:0, 10:0, 11:0, 12:0, 13:0, 14:0, 15:0, 16:0, 17:0, 18:0, 19:0, 20:0, 24:I
348	MEMD4+	MEMD4+	1250	0044	1	1:0, 2:0, 3:0, 4:0, 5:0, 6:0, 7:0, 8:0, 9:0, 10:0, 11:0, 12:0, 13:0, 14:0, 15:0, 16:0, 17:0, 18:0, 19:0, 20:0, 24:I
349	MEMD5+	MEMD5+	1250	0044	1	1:0, 2:0, 3:0, 4:0, 5:0, 6:0, 7:0, 8:0, 9:0, 10:0, 11:0, 12:0, 13:0, 14:0, 15:0, 16:0, 17:0, 18:0, 19:0, 20:0, 24:I
350	MEMD6+	MEMD6+	1250	0044	1	1:0, 2:0, 3:0, 4:0, 5:0, 6:0, 7:0, 8:0, 9:0, 10:0, 11:0, 12:0, 13:0, 14:0, 15:0, 16:0, 17:0, 18:0, 19:0, 20:0, 24:I
351	MEMD7+	MEMD7+	1250	0044	1	1:0, 2:0, 3:0, 4:0, 5:0, 6:0, 7:0, 8:0, 9:0, 10:0, 11:0, 12:0, 13:0, 14:0, 15:0, 16:0, 17:0, 18:0, 19:0, 20:0, 24:I
352	MEMD10-	MEMD10-	1250	0044	1	1:I, 2:I, 3:I, 4:I, 5:I, 6:I, 7:I, 8:I, 9:I, 10:I, 11:I, 12:I, 13:I, 14:I, 15:I, 16:I, 17:I, 18:I, 19:I, 20:I, 25:0
353	MEMD11-	MEMD11-	1250	0044	1	1:I, 2:I, 3:I, 4:I, 5:I, 6:I, 7:I, 8:I, 9:I, 10:I, 11:I, 12:I, 13:I, 14:I, 15:I, 16:I, 17:I, 18:I, 19:I, 20:I, 25:0
354	MEMD12-	MEMD12-	1250	0044	1	1:I, 2:I, 3:I, 4:I, 5:I, 6:I, 7:I, 8:I, 9:I, 10:I, 11:I, 12:I, 13:I, 14:I, 15:I, 16:I, 17:I, 18:I, 19:I, 20:I, 25:0
355	MEMD13-	MEMD13-	1250	0044	1	1:I, 2:I, 3:I, 4:I, 5:I, 6:I, 7:I, 8:I, 9:I, 10:I, 11:I, 12:I, 13:I, 14:I, 15:I, 16:I, 17:I, 18:I, 19:I, 20:I, 25:0
356	MEMD14-	MEMD14-	1250	0044	1	1:I, 2:I, 3:I, 4:I, 5:I, 6:I, 7:I, 8:I, 9:I, 10:I, 11:I, 12:I, 13:I, 14:I, 15:I, 16:I, 17:I, 18:I, 19:I, 20:I, 25:0
357	MEMD15-	MEMD15-	1250	0044	1	1:I, 2:I, 3:I, 4:I, 5:I, 6:I, 7:I, 8:I, 9:I, 10:I, 11:I, 12:I, 13:I, 14:I, 15:I, 16:I, 17:I, 18:I, 19:I, 20:I, 25:0
358	MEMD16-	MEMD16-	1250	0044	1	1:I, 2:I, 3:I, 4:I, 5:I, 6:I, 7:I, 8:I, 9:I, 10:I, 11:I, 12:I, 13:I, 14:I, 15:I, 16:I, 17:I, 18:I, 19:I, 20:I, 25:0
359	MEMD17-	MEMD17-	1250	0044	1	1:I, 2:I, 3:I, 4:I, 5:I, 6:I, 7:I, 8:I, 9:I, 10:I, 11:I, 12:I, 13:I, 14:I, 15:I, 16:I, 17:I, 18:I, 19:I, 20:I, 25:0
360	MEMRD-	MEMRD-	1350	0046	1	25:I, 26:1, 33:B
361	MEMUN0+	MEMUN0+	1350	0046	1	25:I, 33:B
362	MEMUN1+	MEMUN1+	1350	0046	1	25:I, 33:B
363	MEMUN2+	MEMUN2+	1350	0046	1	25:I, 33:B
364	MEMUN3+	MEMUN3+	1350	0046	1	25:I, 33:B
365	MEMWR-	MEMWR-	1350	0046	1	26:I, 33:B
366	MPCLK+	MPCLK+	0150	0002	1	32:IB
367	MPCLK1+	MPCLK1+	1250	0044	1	23:I, 32:0
368	MSYNC+	MSYNC+	1250	0044	1	25:10, 31:B

GMU 2  
 006-12332-000  
 SHEET 38 OF 39

EXTERNAL CROSS-REF FOR BLOCK /LCMEM

KEY	CONNECTOR NAME	SIGNAL NAME	FLAG	ATTR	WIDTH	PAGES
369	MSYNC-	MSYNC-	1250	0044	1	25:10, 31:B
370	MSYNC1+	MSYNC1+	1250	0044	1	25:0, 28:1, 30:I, 31:B
371	MSYNC1-	MSYNC1-	1250	0044	1	25:0, 28:1, 31:B
372	MUAD0+	MUAD0+	1250	0044	1	24:I, 26:0
373	MUAD1+	MUAD1+	1250	0044	1	24:I, 26:0
374	MUAD10+	MUAD10+	1250	0044	1	24:I, 26:0
375	MUAD11+	MUAD11+	1250	0044	1	24:I, 26:0
376	MUAD12+	MUAD12+	1250	0044	1	24:I, 26:0
377	MUAD13+	MUAD13+	1250	0044	1	24:I, 26:0
378	MUAD14+	MUAD14+	1250	0044	1	24:I, 26:0
379	MUAD15+	MUAD15+	1250	0044	1	24:I, 26:0
380	MUAD2+	MUAD2+	1250	0044	1	24:I, 26:0
381	MUAD3+	MUAD3+	1250	0044	1	24:I, 26:0
382	MUAD4+	MUAD4+	1250	0044	1	24:I, 26:0
383	MUAD5+	MUAD5+	1250	0044	1	24:I, 26:0
384	MUAD6+	MUAD6+	1250	0044	1	24:I, 26:0
385	MUAD7+	MUAD7+	1250	0044	1	24:I, 26:0
386	MUAD8+	MUAD8+	1250	0044	1	24:I, 26:0
387	MUAD9+	MUAD9+	1250	0044	1	24:I, 26:0
388	NAVAIL+	NAVAIL+	1250	0044	1	25:I, 26:0
389	NEWLIN-	NEWLIN-	1250	0044	1	25:I, 26:0, 28:I
390	NOCONNECT	NOCONNECT	1350	0046	1	24:I, 25:I, 27:I, 29:I, 30:I, 32:B, 33:B
391	OMAVAIL-	OMAVAIL-	1250	0044	1	23:I, 26:0
392	OVERLAY+	OVERLAY+	1350	0442	1	27:B, 32:B
393	OVLAY-	OVLAY-	1250	0044	1	27:B, 28:I
394	PORDI7-	PORDI7-	1250	0044	1	1:10, 27:I
395	PIXS0+	PIXS0+	1350	0046	1	26:I, 33:B
396	PIXS1+	PIXS1+	1350	0046	1	26:I, 33:B
397	PIXS2+	PIXS2+	1350	0046	1	26:I, 33:B
398	PIXS3+	PIXS3+	1350	0046	1	26:I, 33:B
399	PIXS4+	PIXS4+	1350	0046	1	26:I, 33:B
400	RAMWE0-	RAMWE0-	1250	0044	1	1:I, 2:I, 3:I, 4:I, 5:I, 6:I, 7:I, 8:I, 9:I, 10:I, 11:I, 12:I, 13:I, 14:I, 15:I, 16:I, 17:I, 18:I, 19:I, 20:I, 22:B
401	RAMWE1-	RAMWE1-	1250	0044	1	1:I, 2:I, 3:I, 4:I, 5:I, 6:I, 7:I, 8:I, 9:I, 10:I, 11:I, 12:I, 13:I, 14:I, 15:I, 16:I, 17:I, 18:I, 19:I, 20:I, 22:B
402	RAMWE2-	RAMWE2-	1250	0044	1	1:I, 2:I, 3:I, 4:I, 5:I, 6:I, 7:I, 8:I, 9:I, 10:I, 11:I, 12:I, 13:I, 14:I, 15:I, 16:I, 17:I, 18:I, 19:I, 20:I, 22:B
403	RAMWE3-	RAMWE3-	1250	0044	1	1:I, 2:I, 3:I, 4:I, 5:I, 6:I, 7:I, 8:I, 9:I, 10:I, 11:I, 12:I, 13:I, 14:I, 15:I, 16:I, 17:I, 18:I, 19:I, 20:I, 22:B
404	RAMWE4-	RAMWE4-	1250	0044	1	1:I, 2:I, 3:I, 4:I, 5:I, 6:I, 7:I, 8:I, 9:I, 10:I, 11:I, 12:I, 13:I, 14:I, 15:I, 16:I, 17:I, 18:I, 19:I, 20:I, 22:B
405	RAMWE5-	RAMWE5-	1250	0044	1	1:I, 2:I, 3:I, 4:I, 5:I, 6:I, 7:I, 8:I, 9:I, 10:I, 11:I, 12:I, 13:I, 14:I, 15:I, 16:I, 17:I, 18:I, 19:I, 20:I, 22:B
406	RAMWE6-	RAMWE6-	1250	0044	1	1:I, 2:I, 3:I, 4:I, 5:I, 6:I, 7:I, 8:I, 9:I, 10:I, 11:I, 12:I, 13:I, 14:I, 15:I, 16:I, 17:I, 18:I, 19:I, 20:I, 22:B
407	RAMWE7-	RAMWE7-	1250	0044	1	1:I, 2:I, 3:I, 4:I, 5:I, 6:I, 7:I, 8:I, 9:I, 10:I, 11:I, 12:I, 13:I, 14:I, 15:I, 16:I, 17:I, 18:I, 19:I, 20:I, 22:B
408	RAMWRC+	RAMWRC+	1250	0044	1	22:I, 26:0
409	RAS0-	RAS0-	1250	0044	1	1:I, 5:I, 22:B
410	RAS0EN-	RAS0EN-	1250	0044	1	22:I, 26:0

INTERNAL CROSS-REF FOR BLOCK /LCMEM

KEY	CONNECTOR NAME	SIGNAL NAME	FLAG	ATTR	WIDTH	PAGES
411	RAS1-	RAS1-	1250	0044	1	2:I, 6:I, 22:B
412	RAS10-	RAS10-	1250	0044	1	11:I, 15:I, 19:I, 22:B
413	RAS11-	RAS11-	1250	0044	1	12:I, 16:I, 20:I, 22:B
414	RAS12-	RAS12-	1250	0044	1	9:I, 13:I, 17:I, 22:B
415	RAS13-	RAS13-	1250	0044	1	10:I, 14:I, 18:I, 22:B
416	RAS14-	RAS14-	1250	0044	1	11:I, 15:I, 19:I, 22:B
417	RAS15-	RAS15-	1250	0044	1	12:I, 16:I, 20:I, 22:B
418	RAS1EN-	RAS1EN-	1250	0044	1	22:I, 26:0
419	RAS2-	RAS2-	1250	0044	1	3:I, 7:I, 22:B
420	RAS2EN-	RAS2EN-	1250	0044	1	22:I, 26:0
421	RAS3-	RAS3-	1250	0044	1	4:I, 8:I, 22:B
422	RAS3EN-	RAS3EN-	1250	0044	1	22:I, 26:0
423	RAS4-	RAS4-	1250	0044	1	1:I, 5:I, 22:B
424	RAS5-	RAS5-	1250	0044	1	2:I, 6:I, 22:B
425	RAS6-	RAS6-	1250	0044	1	3:I, 7:I, 22:B
426	RAS7-	RAS7-	1250	0044	1	4:I, 8:I, 22:B
427	RAS8-	RAS8-	1250	0044	1	9:I, 13:I, 17:I, 22:B
428	RAS9-	RAS9-	1250	0044	1	10:I, 14:I, 18:I, 22:B
429	RDAT0-	RDAT0-	1350	0064	1	24:0, 33:B
430	RDAT1-	RDAT1-	1350	0064	1	24:0, 33:B
431	RDAT10-	RDAT10-	1350	0064	1	24:0, 33:B
432	RDAT11-	RDAT11-	1350	0064	1	24:0, 33:B
433	RDAT12-	RDAT12-	1350	0064	1	24:0, 33:B
434	RDAT13-	RDAT13-	1350	0064	1	24:0, 33:B
435	RDAT14-	RDAT14-	1350	0064	1	24:0, 33:B
436	RDAT15-	RDAT15-	1350	0064	1	24:0, 33:B
437	RDAT2-	RDAT2-	1350	0064	1	24:0, 33:B
438	RDAT3-	RDAT3-	1350	0064	1	24:0, 33:B
439	RDAT4-	RDAT4-	1350	0064	1	24:0, 33:B
440	RDAT5-	RDAT5-	1350	0064	1	24:0, 33:B
441	RDAT6-	RDAT6-	1350	0064	1	24:0, 33:B
442	RDAT7-	RDAT7-	1350	0064	1	24:0, 33:B
443	RDAT8-	RDAT8-	1350	0064	1	24:0, 33:B
444	RDAT9-	RDAT9-	1350	0064	1	24:0, 33:B
445	RDMCLK+	RDMCLK+	1250	0044	1	26:0, 28:I
446	RED	RED	1350	0024	1	27:B, 30:OB
447	REGCLK+	REGCLK+	1250	0044	1	30:IO, 31:B
448	REGCLKD1+	REGCLKD1+	1250	0044	1	30:IO, 31:B
449	REGSEL+	REGSEL+	1350	0046	1	25:IB, 33:B
450	REGSRCH-	REGSRCH-	1250	0044	1	24:I, 26:0
451	REGSRCL-	REGSRCL-	1250	0044	1	24:I, 26:0
452	RESET-	RESET-	1350	0046	1	26:I, 27:I, 28:I, 32:B
453	SEL0	SEL0	1250	0044	1	23:I, 25:B
454	SEL1	SEL1	1250	0044	1	23:I, 25:B
455	SELECT+	SELECT+	1250	0044	1	25:IB, 26:I, 27:I
456	T40CLK+	T40CLK+	1250	0044	1	23:I, 24:I, 25:IO, 27:I
457	T40CLK-	T40CLK-	1250	0044	1	25:I, 28:0
458	VBB	VBB	0150	0002	1	30:I
1	VCC	VCC	1000	0100	1	23:I, 25:B, 27:IB, 31:B, 32:B
459	VFIELD+	VFIELD+	1350	0046	1	26:I, 33:B
460	VRFSH-	VRFSH-	1350	0046	1	25:I, 26:I, 33:B
461	VSYNC-	VSYNC-	1350	0046	1	26:I, 33:B
462	WRMCLK+	WRMCLK+	1250	0044	1	22:I, 26:0
463	XHSLON+	XHSLON+	1250	0044	1	26:0, 28:I
464	XXH0+	XXH0+	1250	0044	1	26:0, 28:I
465	XXH1+	XXH1+	1250	0044	1	26:0, 28:I
466	XXH2+	XXH2+	1250	0044	1	26:0, 28:I
467	XXH3+	XXH3+	1250	0044	1	26:0, 28:I

GMU 2  
 006-12332-000  
 SHEET 39 OF 39

INTERNAL CROSS-REF FOR BLOCK /LCMEM

KEY	CONNECTOR NAME	SIGNAL NAME	FLAG	ATTR	WIDTH	PAGES
68	XXH4+	XXH4+	1250	0044	1	26:0, 28:I