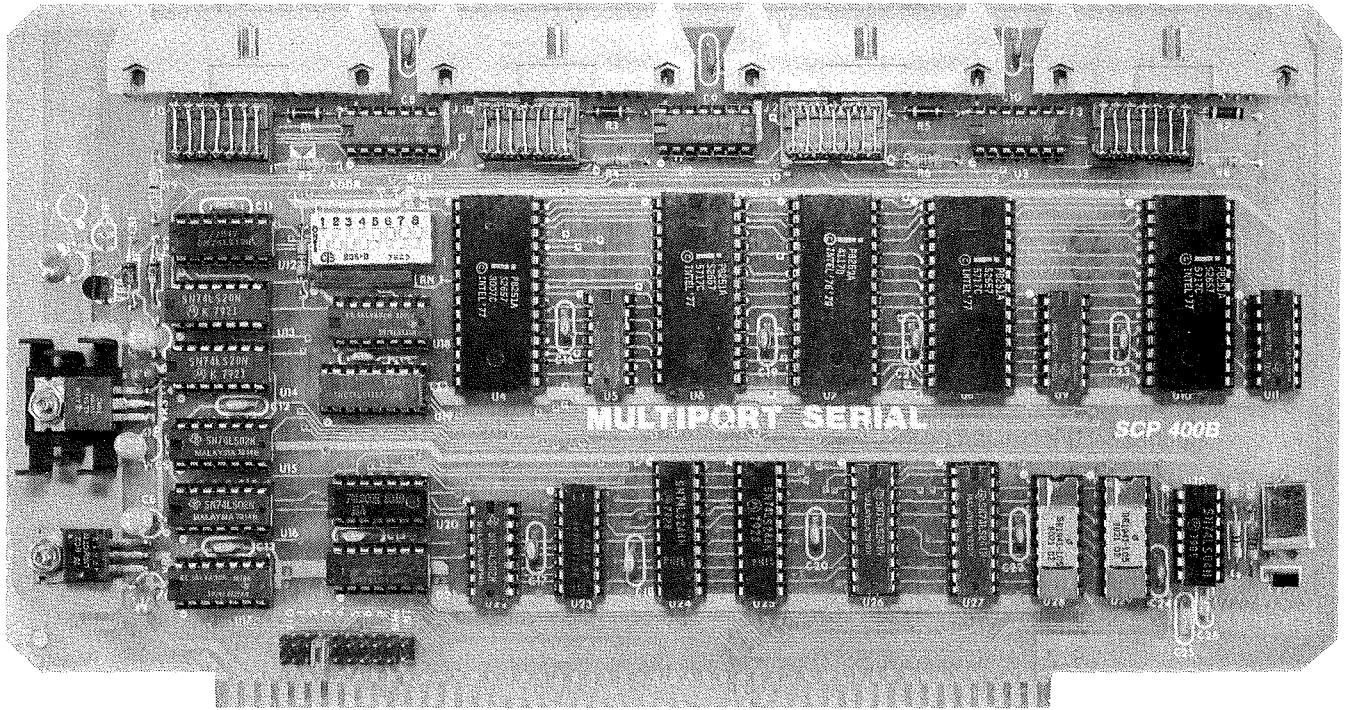


Instruction Manual
Model SCP400B,C



Multi-port

Serial Card

For the S-100 Bus

Rev. B,C



Seattle Computer Products, Inc.

1114 Industry Drive, Seattle, WA. 98188
(206) 575-1830

TABLE OF CONTENTS

Features	3
Summary of Switches and Jumpers.	3
Programming and Using the Multi-port Serial Card	4
I/O Ports.	4
Serial Input/Output.	5
Mode Instruction Definition	5
Command Instruction Definition.	6
Status Read Definition.	7
The DTR/CTS Input	8
Write Restrictions.	8
I/O Connections	9
Configuring the DIP-Headers.	10
Setting the Baud Rates	11
Interrupt Controller	11
Operation of the Interrupt Controller	12
Interrupt Vectoring.	12
Interrupt Priorities	13
Interrupt Triggering	21
Interrupt Status	21
Interrupt Cascading.	23
Programming the Interrupt Controller.	25
Initialization Command Words	25
Operational Command Words.	27
Theory of Operation.	29
One-Year Limited Warranty.	30

MULTIPOINT SERIAL CARD ADDENDUM

The Intel 8259A chip used on this board has a fault. When the 8259A Interrupt Controller is used in the slave mode the Automatic End-of-Interrupt mode does not work properly. Until the 8259A is fixed, the solution is to send an End-of-Interrupt command to the 8259A in the interrupt routine. The Automatic End-of-Interrupt mode does work if the 8259A is used as a Master.

Features

- > Available in 2 or 4 channel versions.
- > The configuration of each channel is fully programmable.
- > Four handshaking lines per channel -- two input, two output.
- > Headers allow configuration as "modem" or "terminal".
- > Independant baud rate generator for each channel -- sixteen software selectable baud rates from 50 to 19200 baud.
- > Eight level vectored interrupt controller handles receive & transmit interrupt requests from each channel.
- > Interrupt controller may be slaved to our CPU Support Card for fully vectored operation or it may be used in the "polled mode" retaining the interrupt masking and priority rotation features of the interrupt controller.

Summary of Switches and Jumpers

THE 8 POSITION DIP-SWITCH

Positions 1 through 4 set the highest 4 bits of the I/O port address base (the low four bits select a particular function on the board). Position 1 sets A7, position 2 sets A6, 3 sets A5, and 4 sets A4. CLOSED represents a one, and OPEN a zero.

Position 5 (M-S) selects whether the 8259A interrupt controller is acting as master or slave. CLOSED selects slave mode, OPEN selects master mode. Note that this switch doesn't actually program the 8259A, it only configures the 8259A's support circuitry to match the master or slave mode as programmed.

Position 6 (P-V) selects whether the 8259A operates in the polled or vectored mode. CLOSED selects the vectored mode and OPEN selects the polled mode. The switch should only be OPEN if the 8259A on the Multiport Serial card is not to respond to interrupt acknowledges from the CPU.

Positions 7 and 8 control the wait state generator. To disable wait states entirely, OPEN position 8 (position 7 doesn't matter). To always insert one wait state, CLOSE position 8 and OPEN position 7. In systems in which pin 98 of the S-100 bus indicates processor speed, such as the Seattle Computer Products 8086 CPU board, closing both positions 7 and 8 will enable a wait state only when the processor is at high speed. Generally, wait states are not needed in 8080 and Z80 systems; SCP recommends a wait state only when used with our 8086 CPU at 8 MHz.

THE INTERRUPT JUMPER

The set of 10 pairs of pins near the lower left corner of the board selects which S-100 interrupt lines is driven by the "INT" output of the 8259A interrupt controller. To choose one of the eight VI lines, NMI, or INT, set the connector block over the pair of pins below the silk-screened legend corresponding to the desired interrupt line. If interrupts aren't used, set the connector over two pins in the TOP row. (Don't connect to any of the pins in the bottom row!)

THE DIP-HEADERS

For normal operation, each pin on the dip-headers should be connected to the pin on the opposite side, i.e., pin 1 to pin 14, pin 2 to pin 13, etc. Wiring the dip-headers for any other mode of operation is too complex to be included in this summary, refer to the section "CONFIGURING THE DIP-HEADERS".

Programming and Using the Multi-port Serial Card

I/O Ports

The Multiport Serial card requires a total of fourteen I/O ports for communication with the CPU. These fourteen ports can be set on any sixteen port boundary called the BASE. The BASE is selected using the first four positions of the 8 position dip-switch. These first four positions correspond to A7-A4 from left to right. Turning a switch on (closed) selects a one and turning it off (open) selects a zero.

SW-1	SW-2	SW-3	SW-4	I/O port address	BASE
OFF	OFF	OFF	OFF	00	hex
OFF	OFF	OFF	ON	10	hex
OFF	OFF	ON	OFF	20	hex
OFF	OFF	ON	ON	30	hex
OFF	ON	OFF	OFF	40	hex
OFF	ON	OFF	ON	50	hex
OFF	ON	ON	OFF	60	hex
OFF	ON	ON	ON	70	hex
ON	OFF	OFF	OFF	80	hex
ON	OFF	OFF	ON	90	hex
ON	OFF	ON	OFF	A0	hex
ON	OFF	ON	ON	B0	hex
ON	ON	OFF	OFF	C0	hex
ON	ON	OFF	ON	D0	hex
ON	ON	ON	OFF	E0	hex
ON	ON	ON	ON	F0	hex

The I/O ports are assigned as follows:

- BASE+0, Channel 0 8251A data port.
- BASE+1, Channel 0 8251A control/status port.
- BASE+2, Channel 1 8251A data port.
- BASE+3, Channel 1 8251A control/status port.
- BASE+4, Channel 2 8251A data port.
- BASE+5, Channel 2 8251A control/status port.
- BASE+6, Channel 3 8251A data port.
- BASE+7, Channel 3 8251A control/status port.
- BASE+8 output only, Channel 0 baud rate port.
- BASE+9 output only, Channel 1 baud rate port.
- BASE+10 output only, Channel 2 baud rate port.
- BASE+11 output only, Channel 3 baud rate port.
- BASE+12, 8259A interrupt controller (A0 = 0).
- BASE+13, 8259A interrupt controller (A0 = 1).

Ports BASE+14 and BASE+15 are not used by the Multiport Serial Card and are free for use by other devices in the system.

Serial Input/Output

The Multiport Serial card has either two or four 8251A-type USARTs for RS-232 communication. The two channel version uses ports 0 and 1, the four channel version uses ports 0 through 3. The transmit and receive baud rates are always the same on any given channel, but each channel is independently programmable. See the section on baud rate generators for complete details on how to program the desired baud rate for each channel.

Each 8251A USART requires two I/O ports to communicate with the processor, the data port and the control/status port. The table below shows where these ports are with respect to the Multiport Serial card's base port address (BASE).

BASE+0	-- channel 0 data	} PRU
BASE+1	-- channel 0 control/status	
BASE+2	-- channel 1 data	} AOUT
BASE+3	-- channel 1 control/status	
BASE+4	-- channel 2 data	
BASE+5	-- channel 2 control/status	
BASE+6	-- channel 3 data	
BASE+7	-- channel 3 control/status	

Before the 8251A can be used it must be initialized by sending the desired operating parameters to the control/status port. A total of four bytes are required, the first two reset the 8251A so that it can accept the Mode and Command instructions. The first write to the control/status port after reset programs the Mode instruction. All subsequent writes to the control/status port program Command instructions.

Byte 1 - 10110111 (B7 hex)
Byte 2 - 01110111 (77 hex)
Byte 3 - Mode instruction.
Byte 4 - Command instruction.

MODE INSTRUCTION DEFINITION

M7	M6	M5	M4	M3	M2	M1	M0
S1	S0	PE/O	PEN	L1	L0	B1	B0

M6-M7 S0-S1 number of transmitter stop bits

00 = Invalid
01 = 1 stop bit
10 = 1.5 stop bits
11 = 2 stop bits

M5 PE/O Parity Even/Odd

0 = Odd parity
1 = Even parity

M4 PEN Parity Enable

0 = No parity bit
1 = Parity bit enabled

M2-M3 L0-L1 character length (number of data bits)

00 = 5 bits
01 = 6 bits
10 = 7 bits
11 = 8 bits

M0-M1 B0-B1 baud rate factor

00 = Sync mode, see an 8251A data sheet.

01 = 1 X

10 = 16 X

11 = 64 X

S0-S1 programs the number of stop bits sent by the transmitter. The receiver never requires more than one stop bit.

PE/O selects even or odd parity.

PEN selects whether or not a parity bit is transmitted by the transmitter and expected by the receiver. If parity is enabled, even or odd parity is selected by PE/O. If no parity is selected, PE/O has no effect.

L0-L1 selects the number of data bits transmitted by the transmitter and expected by the receiver. The start, stop, and parity bit (if any) are not counted in the number of data bits.

B0-B1 The baud rate factor selects how many clocks per transmitted or received bit. 16 X is almost universally used but 64 X provides a simple way to switch between two baud rates a factor of four apart (1200 and 300 for example). The baud rates given in the "SETTING THE BAUD RATES" section assume 16 X baud rate factor. 1 X should only be used for transmission because slight differences in baud rate between two devices can cause serious reception errors if 1 X is used. B0-B1 = 00 selects the synchronous mode of operation, see an 8251A data sheet for more information.

COMMAND INSTRUCTION DEFINITION

C7	C6	C5	C4	C3	C2	C1	C0
X	IR	DSR	ER	SBRK	RxE	CTS	TxE

C7 X = don't care.

This bit is used with the sync mode. See an 8251A data sheet.

C6 IR Internal Reset

0 = No operation

1 = Reset the 8251A.

C5 DSR/RTS Data Set Ready/Request To Send

0 = DSR or RTS line inactive (-12 volts)

1 = DSR or RTS line active (+12 volts)

C4 ER Error Reset

0 = No operation

1 = Reset error flags (PE, OE, FE)

C3 SBRK Send BReak

0 = Normal operation

1 = Send break (continuous space [-12 volts] from transmitter output)

C2 RxE Receiver Enable

0 = disable receiver

1 = enable receiver

C1 CTS/DTR Clear To Send/Data Terminal Ready

0 = CTS or DTR line inactive (-12 volts)

1 = CTS or DTR line active (+12 volts)

C0 TxE Transmitter Enable

0 = disable transmitter

1 = enable transmitter

IR = 1 puts the 8251A into an "idle" mode waiting for a new Mode instruction. After reset the 8251A must be reinitialized before it can be used.

DSR/RTS controls the level on either the DSR line or the RTS line depending on whether the channel is configured as a "modem" (computer) or a "terminal". If configured as a "modem" the DSR line (RS-232 pin 6) is driven, if configured as a "terminal" the RTS line (RS-232 pin 4) is driven. See the section on "CONFIGURING THE DIP-HEADERS" to configure the channel as a "modem" or "terminal".

ER resets the three error flags PE, OE, and FE.

SBRK sends a continuous space level (-12 volts) on the data output line. If configured as a "modem" (computer) the data output line is the RxD line (RS-232 pin 3), if configured as a "terminal" the data output is the TxD line (RS-232 pin 2).

RxE = 0 turns off the receiver. In the off state the RxRDY status bit is inhibited as well as the RxRDY Interrupt Request to the 8259A interrupt controller.

CTS/DTR controls the level on either the CTS line or the DTR line depending on whether the channel is configured as a "modem" (computer) or a "terminal". If configured as a "modem" the CTS line (RS-232 pin 5) is driven, if configured as a "terminal" the DTR line (RS-232 pin 20) is driven. See the section on "CONFIGURING THE DIP-HEADERS" to configure the channel as a "modem" or "terminal".

TxE = 0 turns off the transmitter. In the off state the TxRDY Interrupt Request to the 8259A interrupt controller is inhibited immediately but the transmitter will still accept a character to fill its buffer although it will not transmit it until the transmitter is turned back on.

STATUS READ DEFINITION

The status of the 8251A can be read from the control/status port. The various bits indicate the condition on the receiver, transmitter, and error conditions.

S7	S6	S5	S4	S3	S2	S1	S0
RTS/DSR	BD	FE	OE	PE	TxE	RxRDY	TxRDY

S7 RTS/DSR Request To Send/Data Set Ready

0 = RTS or DSR line is inactive (-12 volts)

1 = RTS or DSR line is active (+12 volts)

S6 BD Break Detect

0 = Receiver is receiving normal data

1 = Receiver is receiving a break level
(continuous space, -12 volts)

S5 FE Framing Error

0 = No error

1 = A valid stop bit was not received after the last character

S4 OE Overrun Error

0 = No error

1 = The last character overran the previous one.

S3 PE Parity Error

0 = No error

1 = The last character received had incorrect parity.

S2 TxE Transmitter Empty

0 = Transmitter not empty

1 = Transmitter has sent all characters out

S1 RxRDY Receiver Ready

0 = No character has been received

1 = Receiver has a character to read

S0 TxRDY Transmitter ReaDY

0 = Transmitter is not ready to accept a character

1 = Transmitter can accept a character

RTS/DSR indicates the level on either the RTS line or the DSR line depending on whether the channel is configured as a "modem" (computer) or a "terminal". If configured as a "modem" the level on the RTS line (RS-232 pin 4) is indicated, if configured as a "terminal" the level on the DSR line (RS-232 pin 6) is indicated. See the section on "CONFIGURING THE DIP-HEADERS" to configure the channel as a "modem" or "terminal".

BD is high when the 8251A detects a continuous break level (-12 volts) on the data input line. If configured as a "modem" (computer) the data input line is the TxD line (RS-232 pin 2), if configured as a "terminal" the data input line is the RxD line (RS-232 pin 3).

FE indicates framing error. If this bit is high, the receiver didn't detect a valid stop bit after the data and parity bits.

OE indicates overrun error. If this bit is high, the CPU didn't read the character received before the last character.

PE indicates parity error. If this bit is high, parity of the last character didn't match its parity bit.

TxE = 1 indicates the transmitter is empty. It has sent all the data given to it.

RxRDY = 1 indicates the receiver has a character to read.

TxRDY = 1 indicates the transmitter is ready to accept a character for transmission.

THE DTR/CTS INPUT

The DTR/CTS input can't be read as part of the status as the RTS/DSR input can. Instead, the DTR/CTS input has direct control over the operation of the transmitter. It has the same effect as the Transmitter Enable bit of the Command instruction. When this line goes inactive (-12 volts) the transmitter will stop transmitting after it transmits the contents of its buffer. The transmitter will accept a character to fill its buffer although it will not transmit it till DTR/CTS goes active once more. When the channel is configured as a "modem" (computer) the DTR line (RS-232 pin 20) controls the transmitter, when the channel is configured as a "terminal" the CTS line (RS-232 pin 5) controls the transmitter. See the section on "CONFIGURING THE DIP-HEADERS" for more information.

WRITE RESTRICTIONS

1> Data may only be written to the 8251A when TxRDY = 1.

2> Mode and Command instructions require 4uS recovery time between writes. This could be a problem because inline code can possibly output faster than this.

```
MOV      AL,0B7H      ; 4 cycles
OUTB     BASE+7      ; 10 cycles      14 cycles total
```

For example, the MOV & OUTB instructions shown require 14 clock cycles for execution minus one cycle for the write pulse width gives a total time between writes of 13 cycles or 1.625uS for an 8MHz 8086 with 16 bit memory. We therefore need to add 2.375uS or 19 more clocks to meet the requirement. Any instruction requiring 19 or more clocks could be placed between writes to provide the delay. The only one byte instruction which meets this requirement is CMPB which takes 22 clocks. This instruction could cause problems if the SI, DI, DS, and ES registers aren't properly set because it would do two random address reads. If two bytes are allowed a register PUSH & POP

takes 19 clocks but requires a valid stack. Possibly the least offensive instruction is an AAD instruction. This requires two bytes and only modifies the AX register. AAD requires 60 clocks which is a bit excessive but does meet the requirement. With a 4MHz 8086 only 3 clocks are required. A NOP fills the requirement nicely. If you are ever planning to upgrade to an 8MHz 8086 it's a good idea to make the software 8MHz compatible so it won't have to be modified in the future. Possibly the best solution is to use a loop to initialize:

```

                MOV     CX,4
                MOV     SI,INITABLE
INITLOOP:     SEG     CS
                LODB
                OUTB   BASE+7
                LOOP   INITLOOP

```

The actual loop takes 41 clocks (5.125uS @ 8MHz) which solves the write recovery time requirement. The whole routine requires only 16 bytes including the table compared to 22 bytes for inline code with two-byte delays.

A 4MHZ Z80 doesn't require any delays because 18 clocks satisfy the requirements (including two for the write pulse). Inline requires 18 clocks, seven for the load and eleven for the output. OTIR requires 21 per loop.

I/O CONNECTIONS

Each channel has its own connector at the top of the board. Channel 0 uses J0, channel 1 uses J1, etc. A cable with appropriate connectors to extend the connector at the top of the board to the back panel of the computer is required for each channel. The cable should have a 26 pin female socket transition connector on one end to connect to the connector on the board and a 25 pin female "D" connector on the other end to mount on the back panel of the computer. Cables are available from Seattle Computer Products.

Serial pinouts:

DB25S	abbr.	name	J0-J3
1	AA	CG Chassis Ground	1
2	BA	TxD Transmitter Data	3
3	BB	RxD Receiver Data	5
4	CA	RTS Request To Send	7
5	CB	CTS Clear To Send	9
6	CC	DSR Data Set Ready	11
7	AB	SG Signal Ground	13
8	CF	DCD Data Carrier Detect	15
9			17
10			19
11			21
12			23
13			25
14			2
15			4
16			6
17			8
18			10
19			12
20	CD	DTR Data Terminal Ready	14
21			16
22			18

23		20
24		22
25		24
	no connection	26

Configuring the DIP Headers

Each channel has a 14 pin dip-header which allows the channel to be configured as a "modem" or a "terminal". If the channel is to be connected to a terminal it should be configured to be a "modem". If the channel is to be connected to a modem it should be configured as a "terminal".

Configuring a channel as a "modem".

Connect pin 1 to pin 14	
2	13
3	12
4	11
5	10
6	9
7	8

Configuring a channel as a "terminal":

Connect pin 1 to pin 13	
2	14
3	11
4	12
6	8
7	9

Custom configurations -- the functions of the various pins are given below so that the user may reconfigure the channel to solve various non-standard connection problems.

Dip-header pin	function
1	serial data input to receiver <i>input to this board</i>
2	serial data output from transmitter <i>output from</i>
3	output handshaking line (controlled by DSR/RTS bit of Command Instruction)
4	input handshaking line (read as RTS/DSR bit of Status byte)
5	+12 volts for tying unused inputs and RS-232 lines high
6	input handshaking line (DTR/CTS input for controlling transmitter)
7	output handshaking line (controlled by CTS/DTR bit of Command Instruction)
8	CTS (RS-232 pin 5)
9	DTR (RS-232 pin 20)
10	DCD (RS-232 pin 8)
11	RTS (RS-232 pin 4)
12	DSR (RS-232 pin 6)
13	RxD (RS-232 pin 3)
14	TxD (RS-232 pin 2)

Setting the Baud Rates

Each of the four channels has its own software controlled baud rate generator. The baud rate for each channel is set by sending four bits to the channel's baud rate port. The I/O port address of the baud rate ports relative to the Multiport Serial card's base port number (BASE) is given in the table below:

Channel	Baud Rate Port
0	BASE+8
1	BASE+9
2	BASE+10
3	BASE+11

The baud rate is determined by the low 4 bits of the byte sent to the baud rate port (the upper four bits have no effect). These baud rates assume 16X baud rate factor (see the "MODE INSTRUCTION DEFINITION" section).

bit 0-3	baud rate
0 hex	50
1 hex	75
2 hex	110
3 hex	134.5
4 hex	150
5 hex	300
6 hex	600
7 hex	1200
8 hex	1800
9 hex	2000
A hex	2400
B hex	3600
C hex	4800
D hex	7200
E hex	9600
F hex	19200

Interrupt Controller

The Multiport Serial card has an 8259A type interrupt controller to provide interrupt masking, vectoring, and priority rotation for the eight possible interrupt request sources from the board. It can operate in one of three modes as described briefly below. A full description of these modes as well as the subtle nuances of operation of the 8259A are included in the pages ahead.

Vectored Mode. When the board is used in a system which provides correct interrupt acknowledge status (slNTA) during all two or three bytes of the interrupt acknowledge sequence it can be used in the vectored mode in which each of the eight interrupt request sources listed below automatically vector to the proper interrupt handler routine. Systems which provide correct interrupt acknowledge status include those which use the Seattle Computer Products 8086 CPU and/or the CPU Support card (Rev. F or higher). Most 8080 and Z80 CPUs do NOT provide correct interrupt acknowledge status during the second and third bytes of the three byte CALL sequence used by the 8259A and the system must include a CPU Support card to provide correct interrupt acknowledge status if vectored operation is required. If used with a CPU Support card, the Multiport Serial card can be slaved to the CPU Support card's 8259A interrupt controllers to provide complete software priority structuring of all the interrupting devices in the system. In this mode "P-V" switch should be ON so that the 8259A can operate in the vectored mode. The "M-S" switch should be ON if the 8259A is slaved to a CPU Support card, and OFF otherwise.

Z80 Mode 1. If the Multiport Serial card is to be used in a Z80 system, interrupt driven operation can be achieved without a CPU Support card by using the Z80 interrupt mode 1. In this mode the Z80 automatically CALLS location 0038 hex without the need for an interrupt acknowledge sequence. The interrupt handler routine at 0038 hex must poll the 8259A to find out which interrupt request was responsible for the interrupt and act accordingly. In this mode the "P-V" switch should be OFF because interrupt vectoring isn't used. Since the 8259A can't be used as a slave in this position; the "M-S" switch should be OFF.

Polled Mode. If interrupt driven operation isn't possible or isn't desired, the 8259A can still be used in the polled mode. In this mode all the masking, priority rotation, and other special features of the 8259A are available to simplify the software drivers for the Multiport Serial card. The "P-V" switch should be OFF because interrupt vectoring isn't used. The "M-S" switch should also be OFF because the 8259A can't be used as a slave in this mode.

The eight interrupt request inputs to the 8259A interrupt controller are as follows:

- IR0 - RxRDY 0 (Receiver Ready from channel 0).
- IR1 - RxRDY 1.
- IR2 - RxRDY 2.
- IR3 - RxRDY 3.
- IR4 - TxRDY 0 (Transmitter Ready from channel 0).
- IR5 - TxRDY 1.
- IR6 - TxRDY 2.
- IR7 - TxRDY 3.

The 8259A requires two of the Multiport Serial card's sixteen I/O ports for communication with the processor.

- BASE+12 (A0 = 0)
- BASE+13 (A0 = 1)

OPERATION OF THE INTERRUPT CONTROLLER

Interrupt operation of the 8259A falls under five main categories: vectoring, priorities, triggering, status, and cascading. Each of these categories use various modes and commands. This section will explain the operation of these modes and commands. For clarity of explanation, however, the actual programming of the 8259A isn't covered in this section but in "PROGRAMMING THE INTERRUPT CONTROLLER".

INTERRUPT VECTORING

Each IR input of the 8259A has an individual interrupt-vector address in memory associated with it. Designation of each address depends upon the initial programming of the 8259A. The interrupt sequence and addressing of an 8080 system differs from that of an 8086 system. Thus, the 8259A must be initially programmed in either the 8080 or 8086 mode of operation to insure the correct interrupt vectoring.

8080 MODE

This mode applies to 8080, 8085, and Z80 microprocessors. After an interrupt request in the 8080 mode, the 8259A will output to the data bus the opcode for a CALL instruction and the address of the desired routine. This is in response to a sequence of three INTA (Interrupt Acknowledge) pulses issued by the CPU after the master 8259A has activated the INT line of the S-100 bus.

The first INTA pulse to the 8259A enables the CALL opcode CD hex onto the data bus. It also resolves IR priorities and effects operation in the cascade mode, which will be covered later.

During the second and third INTA pulses, the 8259A conveys a 16-bit interrupt-vector address to the 8080. The interrupt-vector addresses for all eight levels are selected when initially programming the 8259A. However, only one address is needed for programming. Interrupt-vector addresses of IRO-IR7 are automatically set at equally spaced intervals based on the one programmed address. Address intervals are user definable to 4 or 8 bytes apart. If the service routine for a device is short it may be possible to fit the entire routine within an 8-byte interval. Usually, though, the service routines require more than 8 bytes. So, a 4 byte interval is used to store a jump instruction which directs the CPU to the appropriate routine. The 8-byte interval maintains compatibility with current 8080 Restart (RST) instruction software, while the 4-byte interval is best for a compact jump table. If the 4-byte interval is selected, then the 8259A will automatically insert bits A0-A4. This leaves A5-A15 to be programmed by the user. If the 8-byte interval is selected, the 8259A will automatically insert bits A0-A5. This leaves only A6-A15 to be programmed by the user.

The LSB of the interrupt-vector address is placed on the data bus during the second INTA pulse.

The MSB of the interrupt-vector address is placed on the data bus during the third INTA pulse.

8086 MODE

Upon interrupt in the 8086 mode, the 8259A will output a single interrupt-vector byte to the data bus. This is in response to two INTA (Interrupt Acknowledge) pulses issued by the 8086 after the master 8259A has activated the INT line of the S-100 bus.

The first INTA pulse is used only for set-up purposes internal to the 8259A. As in the 8080 mode, this set-up includes priority resolution and cascade mode operations which will be covered later. Unlike the 8080 mode, no CALL opcode is placed on the data bus.

The second INTA pulse is used to enable the single interrupt-vector byte onto the data bus. The 8086 uses this interrupt-vector byte to select one of 256 interrupt "types" in 8086 memory. Interrupt type selection for all eight IR levels is made when initially programming the 8259A. However, reference to only one interrupt type is needed for programming. The upper 5 bits of the interrupt vector byte are user definable. The lower 3 bits are automatically inserted by the 8259A depending upon the IR level.

Contents of the interrupt-vector byte for 8086 type selection is put on the data bus during the second INTA pulse.

INTERRUPT PRIORITIES

A variety of modes and commands are available for controlling interrupt priorities of the 8259A. All of them are programmable, that is, they may be changed dynamically under software control. With these modes and commands, many possibilities are conceivable, giving the user enough versatility for almost any interrupt-controlled application.

FULLY NESTED MODE

The fully nested mode of operation is a general purpose priority mode. This mode supports a multilevel-interrupt structure in which priority order of all eight IR inputs are arranged from highest to lowest.

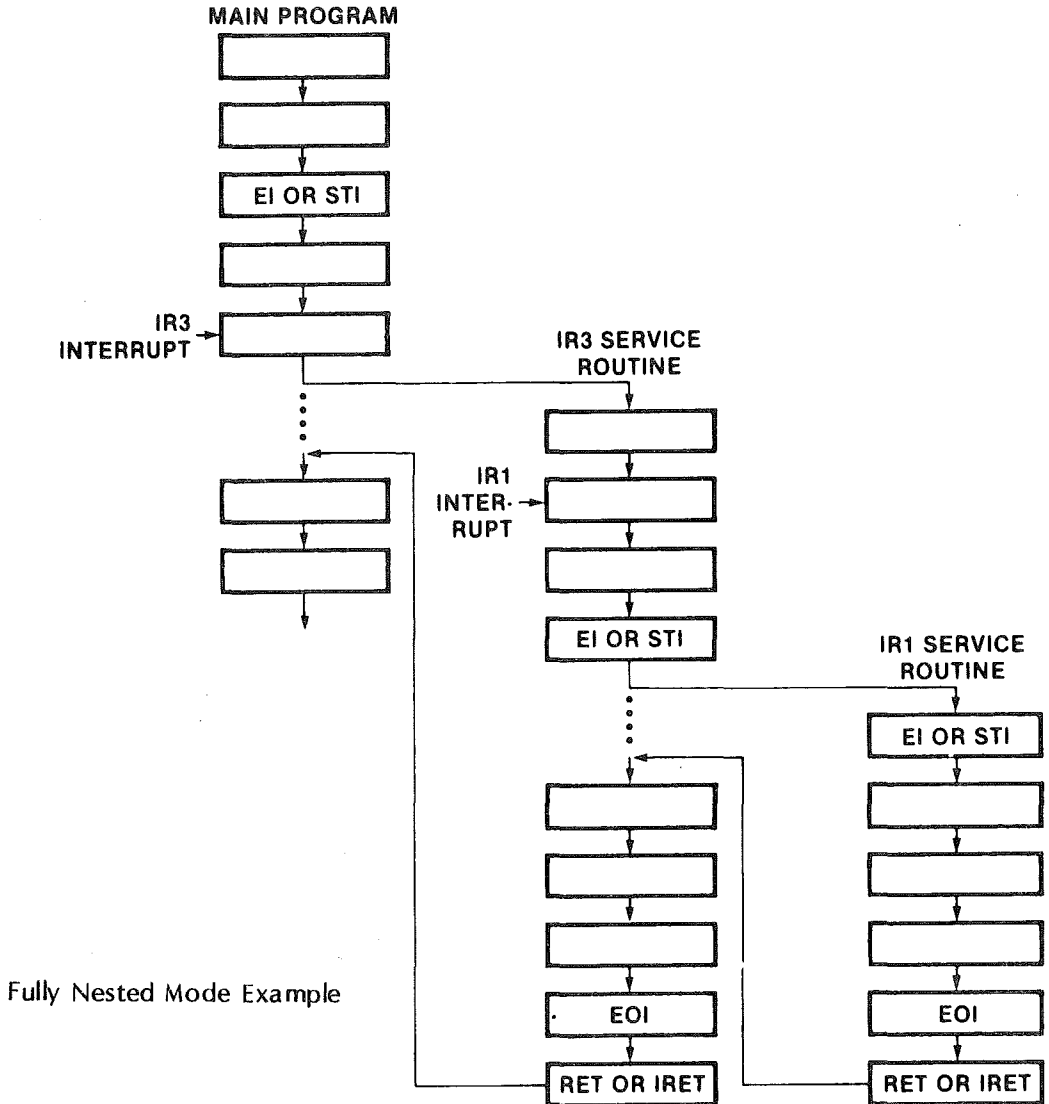
Unless otherwise programmed, the fully nested mode is entered by default upon initialization. At this time, IRO is assigned the highest priority through IR7 the lowest. The fully nested mode, however, is not confined to this IR structure alone. Once past initialization, other IR inputs can be assigned highest priority also, keeping the multilevel-interrupt structure of the fully nested mode.

Further explanation of the fully nested mode, in this section, is linked with information of general 8259A interrupt operations. This is done to ease explanation to the user in both areas.

In general, when an interrupt is acknowledged, the highest priority request is determined from the IRR (Interrupt Request Register). The interrupt vector is then placed on the data bus. In addition, the corresponding bit in the ISR (In-Service Register) is set to designate the routine in service. This ISR bit remains set until an EOI (End-Of-Interrupt) command is issued to the 8259A. EOI's will be explained in greater detail shortly.

In the fully nested mode, while an ISR bit is set, all further requests of the same or lower priority are inhibited from generating an interrupt to the microprocessor. A higher priority request, though, can generate an interrupt, thus vectoring program execution to its service routine. Interrupts are only acknowledged, however, if the microprocessor has previously executed an "Enable Interrupts" instruction. This is because the interrupt request pin on the microprocessor gets disabled automatically after acknowledgement of any interrupt. The assembly language instruction used to enable interrupts is "EI". Interrupts can be disabled by using "DI". When a routine is completed a "return" instruction is executed, "RET" for 8080 and "IRET" for 8086.

The figure below illustrates the correct usage of interrupt related instructions and the interaction of interrupt levels in the fully nested mode.



Assuming IR0 has the highest priority and IR7 the lowest, the sequence is as follows. During the main program, IR3 makes a request. Since interrupts are enabled, the microprocessor is vectored to the IR3 service routine. During the IR3 routine, IR1 asserts a request. Since IR1 has higher priority than IR3, an interrupt is generated. However, it is not acknowledged because the microprocessor disabled interrupts in response to the IR3 interrupt. The IR1 interrupt is not acknowledged until the "Enabled Interrupts" instruction is executed. Thus the IR3 routine has a "protected" section of code over which no interrupts (except non-maskable) are allowed. The IR1 routine has no such "protected" section since an "Enable Interrupts" instruction is the first one in its service routine. Note that in this example the IR1 request must stay active until it is acknowledged. This is covered in more depth in the "Interrupt Triggering" section.

What is happening to the ISR register? While in the main program, no ISR bits are set since there aren't any interrupts in service. When the IR3 interrupt is acknowledged, the ISR3 bit is set. When the IR1 interrupt is acknowledged, both the ISR1 and the ISR3 bits are set, indicating that neither routine is complete. At this time, only IR0 could generate an interrupt since it is the only input with a higher priority than those previously in service. To terminate the IR1 routine, the routine must inform the 8259A that it is complete by resetting its ISR bit. It does this by executing an EOI command. A "return" instruction then transfers execution back to the IR3 routine. This allows IR0-IR2 to interrupt the IR3 routine again, since ISR3 is the highest ISR bit set. No further interrupts occur in the example so the EOI command resets ISR3 and the "return" instruction causes the main program to resume at its pre-interrupt location, ending the example.

A single 8259A is essentially always in the fully nested mode unless certain programming conditions disturb it. The following programming conditions can cause the 8259A to go out of the high to low priority structure of the fully nested mode.

- The automatic EOI mode

- The special mask mode

- A slave with a master not in the special fully nested mode

These modes will be covered in more detail later, however, they are mentioned now so the user can be aware of them. As long as these program conditions aren't inacted, the fully nested mode remains undisturbed.

END OF INTERRUPT

Upon completion of an interrupt service routine the 8259A needs to be notified so its ISR can be updated. This is done to keep track of which interrupt levels are in the process of being serviced and their relative priorities. Three different End-Of-Interrupt (EOI) formats are available for the user. These are: the non-specific EOI command, the specific EOI command, and the automatic EOI Mode. Selection of which EOI to use is dependent upon the interrupt operations the user wishes to perform.

Non-Specific EOI Command

A non-specific EOI command sent from the microprocessor lets the 8259A know when a service routine has been completed, without specification of its exact interrupt level. The 8259A automatically determines the interrupt level and resets the correct bit in the ISR.

To take advantage of the non-specific EOI the 8259A must be in a mode of operation in which it can predetermine in-service routine levels. For this reason the non-specific EOI command should only be used when the most recent level acknowledged and serviced is always the highest priority level. When the 8259A receives a non-specific EOI command, it simply resets the highest priority ISR bit, thus confirming to the 8259A that the highest priority routine of the routines in service is finished.

The main advantage of using the non-specific EOI command is that IR level specification isn't necessary as in the "Specific EOI Command", covered shortly. However, special consideration should be taken when deciding to use the non-specific EOI . Here are two program conditions in which it is best not used:

Using the set priority command within an interrupt service routine.

Using a special mask mode.

These conditions are covered in more detail in their own sections, but are listed here for the users reference.

Specific EOI Command

A specific EOI command sent from the microprocessor lets the 8259A know when a service routine of a particular interrupt level is completed. Unlike a non-specific EOI command, which automatically resets the highest priority ISR bit, a specific EOI command specifies an exact ISR bit to be reset. One of the eight IR levels of the 8259A can be specified in the command.

The reason the specific EOI command is needed, is to reset the ISR bit of a completed service routine whenever the 8259A isn't able to automatically determine it. An example of this type of situation might be if the priorities of the interrupt levels were changed during an interrupt routine ("Specific Rotation"). In this case, if any other routines were in service at the same time, a non-specific EOI might reset the wrong ISR bit. Thus the specific EOI command is the best bet in this case, or for that matter, any time in which confusion of interrupt priorities may exist. The specific EOI command can be used in all conditions of 8259A operation, including those that prohibit non-specific EOI command usage.

Automatic EOI Mode

When programmed in the automatic EOI mode, the microprocessor no longer needs to issue a command to notify the 8259A if it has completed an interrupt routine. The 8259A accomplishes this by performing a non-specific EOI automatically at the trailing edge of the last INTA pulse (third pulse in 8080, second in 8086).

The obvious advantage of the automatic EOI mode over the other EOI command is that no command has to be issued. In general, this simplifies programming and lowers code requirements within interrupt routines.

However, special consideration should be taken when deciding to use the automatic EOI mode because it disturbs the fully nested mode. In the automatic EOI mode the ISR bit of a routine in service is reset right after it's acknowledged, thus leaving no designation in the ISR that a service routine is being executed. If any interrupt request occurs during this time (and interrupts are enabled) it will get serviced regardless of its priority, low or high. The problem of "over nesting" is when an IR input keeps interrupting its own routine, resulting in unnecessary stack pushes which could fill the stack in a worst case condition. This is not usually a desired form of operation!

So what good is the automatic EOI mode with problems like those just covered? Well, again, like the EOIs, selection is dependent upon the application. On the Multiport serial card, all the IR inputs are connected to TxRDY or RxRDY outputs from the 8251A USARTs. Usually these interrupt requests are serviced and thus turned off before executing an "EI" instruction so that the "over nesting" problem doesn't happen.

AUTOMATIC ROTATION - EQUAL PRIORITY

Automatic rotation of priorities serves in applications where the interrupting devices are of equal priority, such as communications channels. The concept is that once a peripheral is serviced, all other equal priority peripherals should be given a chance to be serviced before the original

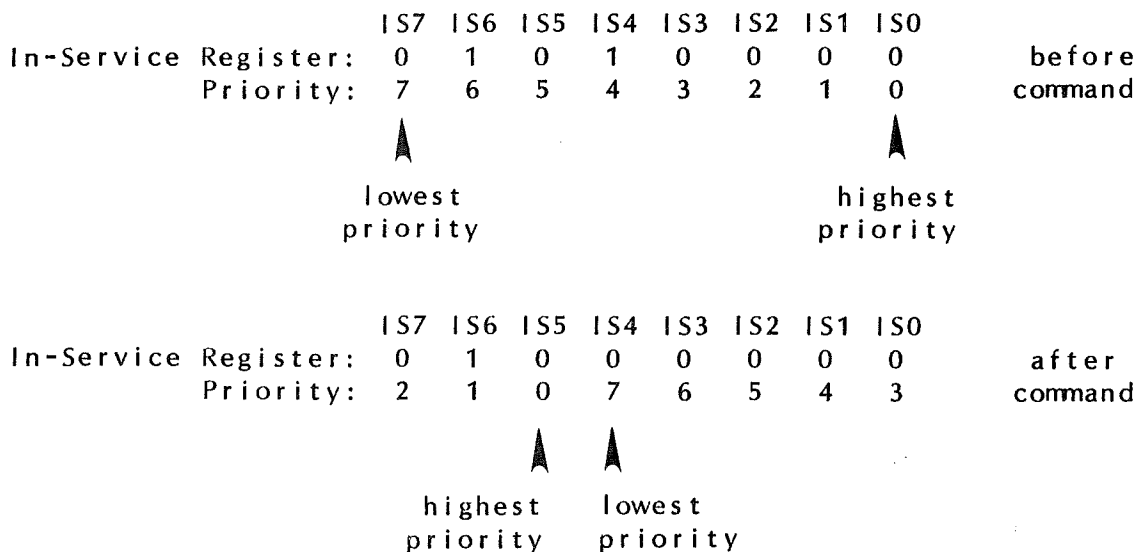
peripheral is serviced again. This is accomplished by automatically assigning a peripheral the lowest priority after being serviced. Thus, in worst case, the device would have to wait until all other devices are serviced before being serviced again.

There are two methods of accomplishing automatic rotation. One is used in conjunction with the non-specific EOI, "non-specific EOI with priority rotation command". The other is used with the automatic EOI mode, "rotate in automatic EOI mode".

Non-specific EOI with priority rotation command

When the non-specific EOI with priority rotation command is issued, the highest ISR bit is reset as in a normal non-specific EOI command. After it's reset though, the corresponding IR level is assigned lowest priority. Other IR priorities rotate to conform to the fully nested mode based on the newly assigned low priority.

The figures below show how the non-specific EOI with priority rotation command effects the interrupt priorities. Let's assume the IR priorities were assigned with IR0 the highest and IR7 the lowest, as in the top figure. IR6 and IR4 are already in service but neither is completed. Being the higher priority routine, IR4 is necessarily the routine being executed. During the IR4 routine a non-specific EOI with priority rotation command is executed. When this happens, bit 4 in the ISR is reset. IR4 then becomes the lowest priority and IR5 becomes the highest as in the lower figure.



Example of Non-Specific EOI with Priority Rotation

Automatic EOI with Priority Rotation

The automatic EOI with priority rotation mode works much like the rotate on non-specific EOI command. The main difference is that priority rotation is done automatically after the last INTA pulse of an interrupt request. To enter or exit this mode, "enable rotation at automatic EOI" and "disable rotation at automatic EOI" commands are provided. After that, no commands are needed as with the normal automatic EOI mode. However, it must be remembered that when using any form of the automatic EOI mode, special consideration should be taken. Thus, the problem with "over-nesting" in the automatic EOI mode also applies to the automatic EOI with priority rotation mode.

SPECIFIC ROTATION - SPECIFIC PRIORITY

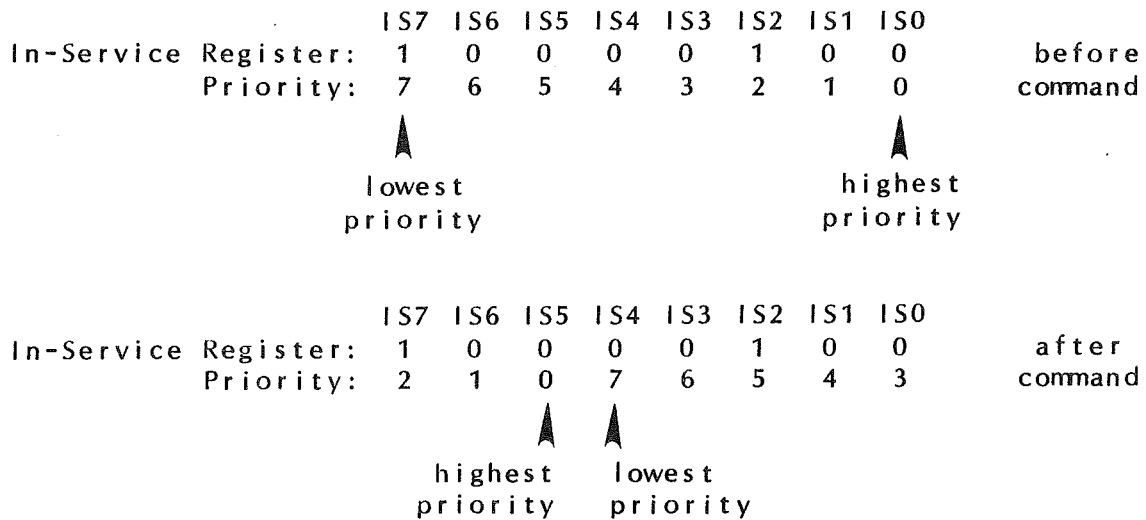
Specific rotation gives the user versatile capabilities in interrupt controlled operations. It serves in

those applications in which a specific device's interrupt priority must be altered. As opposed to automatic rotation which automatically sets priorities, specific rotation is completely user controlled. That is, the user selects which interrupt level is to receive lowest or highest priority. This can be done during the main program or within interrupt routines. Two specific rotation commands are available to the user, the "set priority" command and the "specific EOI with priority rotation" command.

Set Priority Command

The set priority command allows the programmer to assign an IR level the lowest priority. All other interrupt levels will conform to fully nested mode based on newly assigned low priority.

An example of how the set priority command works is shown in the figures below. These figures show the status of ISR and the relative priorities of the interrupt levels before and after the set priority command. Two interrupt routines are shown to be in service in the top figure. Since IR2 is the highest priority, it is necessarily the routine being executed. During the IR2 routine, priorities are altered so that IR5 is the highest. This is done simply by issuing the set priority command to the 8259A. In this case, the command specifies IR4 as being the lowest priority. The result of this set priority command is shown in the bottom figure. Even though IR7 now has higher priority than IR2, it won't be acknowledged until the IR2 routine is finished (via EOI). This is because priorities are only resolved upon an interrupt request or an interrupt acknowledge sequence. If a higher priority request occurs during the IR2 routine, then priorities are resolved and the highest will be acknowledged.



Example of the Set Priority Command

When completing a service routine in which the set priority command is used, the correct EOI must be issued. The non-specific EOI command shouldn't be used in the same routine as a set priority command. This is because the non-specific EOI command resets the highest ISR bit, which, when using the set priority command, is not always the most recent routine in service. The automatic EOI mode, on the other hand, can be used with the set priority command. This is because it automatically performs a non-specific EOI before the set priority command can be issued. The specific EOI command is the best bet in most cases when using the set priority command within a routine. By resetting the specific ISR bit of a routine being completed, confusion is eliminated.

Specific EOI with priority rotation command

The Specific EOI with priority rotation command is literally a combination of the set priority command and the specific EOI command. Like the set priority command, a specified IR level is

assigned lowest priority. Like the specific EOI command, a specified level will be reset in the ISR. Thus the specific EOI with priority rotation command accomplishes both tasks in only one command.

If it is not necessary to change IR priorities prior to the end of an interrupt routine, then this command is advantageous. Since an EOI command must be executed anyway (unless in the automatic EOI mode), why not do both at the same time?

INTERRUPT MASKING

Disabling or enabling interrupts can be done by other means than just controlling the microprocessor's interrupt request pin. The 8259A has an IMR (Interrupt Mask Register) which enhances interrupt control capabilities. Rather than all interrupts being disabled or enabled at the same time, the IMR allows individual IR masking. The IMR is an 8-bit register, bits 0-7 directly correspond to IR0-IR7.

There are various uses for masking off individual IR inputs. One example is when a portion of a main routine wishes only to be interrupted by specific interrupts. Another might be disabling higher priority interrupts for a portion of a lower priority service routine. If you have a two channel version of the Multiport Serial card, the unused IR inputs to the 8259A can be masked off. The possibilities are many.

When an interrupt occurs while its IMR bit is set, it isn't necessarily forgotten. For, as stated earlier, the IMR acts only on the output of IRR. Even with an IR input masked it is still possible to set the IRR. Thus, when resetting an IMR, if its IRR bit is set it will then generate an interrupt. This is providing, of course, that other priority factors are taken into consideration and the IR request remains active. If the IR request is removed before the IMR is reset, no interrupt will be acknowledged.

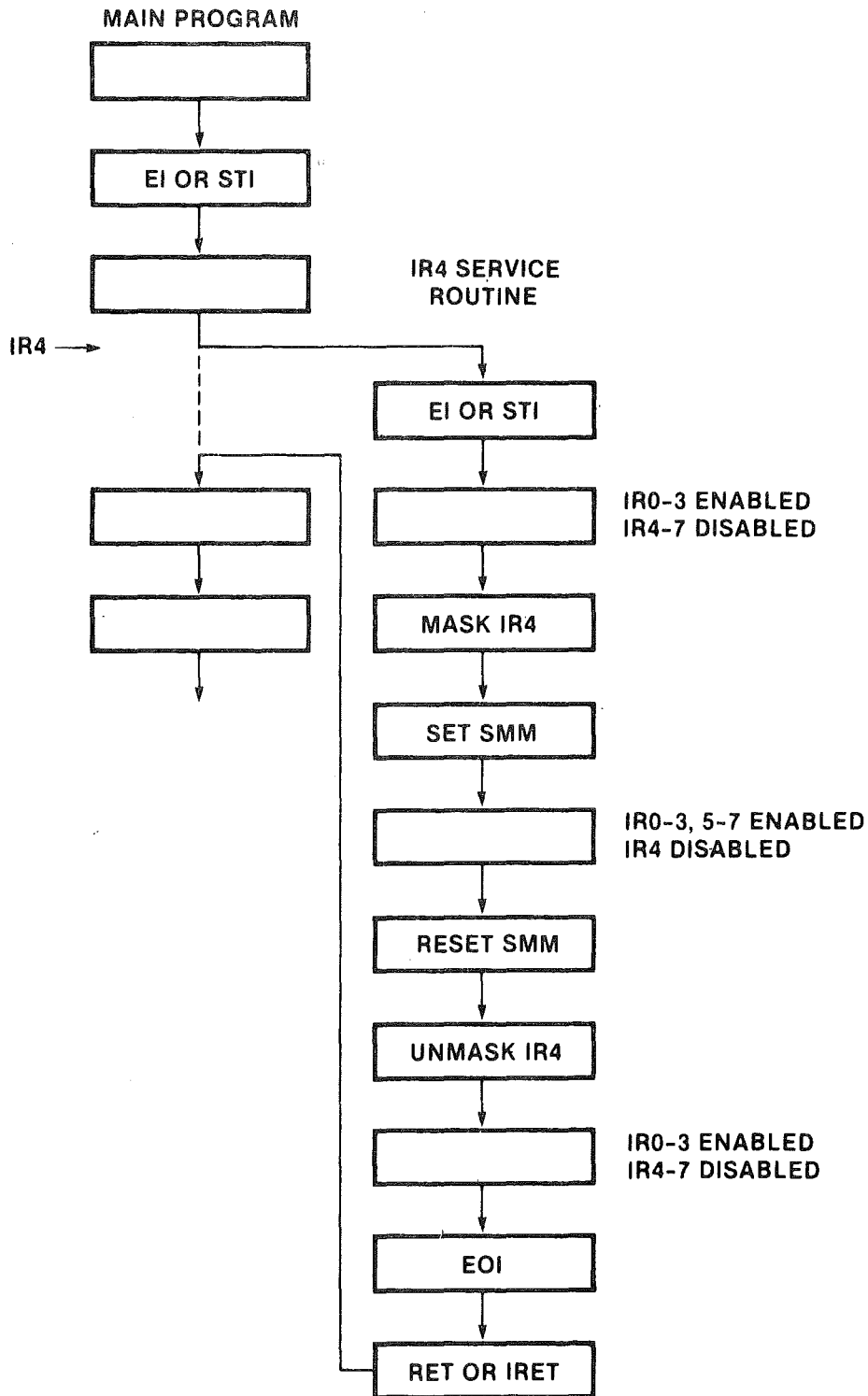
Special Mask Mode

In various cases, it may be desirable to enable interrupts of a lower priority than the routine in service. Or, in other words, allow lower priority devices to generate interrupts. However, in the fully nested mode, all IR levels of priority below the routine in service are inhibited. So what can be done to enable them?

Well, one method could be using an EOI command before the actual completion of a routine in service. But beware, doing this may cause an "over nesting" problem, similar to in the automatic EOI mode. In addition, resetting an ISR bit is irreversible by software control, so lower priority IR levels could only be later disabled by setting the IMR.

A much better solution is the special mask mode. Working in conjunction with the IMR, the special mask mode enables interrupts from all levels except the level in service. This is done by masking the level that is in service and then issuing the special mask mode command. Once the special mask mode is set, it remains in effect until reset.

The figure below shows how to enable lower priority interrupts by using the Special Mask Mode (SMM). Assume that IR0 has highest priority when the main program is interrupted by IR4. In the IR4 service routine an enable interrupt instruction is executed. This only allows higher priority interrupt requests to interrupt IR4 in the normal fully nested mode. Further in the IR4 routine, bit 4 of the IMR is masked and the special mask mode is entered. Priority operation is no longer in the fully nested mode. All interrupt levels are enabled except for IR4. To leave the special mask mode, the sequence is executed in reverse.



Example of Special Mask Mode

Precautions must be taken when exiting an interrupt service routine which has used the special mask mode. A non-specific EOI command can't be used when in the special mask mode. This is because a non-specific won't clear an ISR bit of an interrupt which is masked when in the special mask mode. In fact, the bit will appear invisible. If the special mask mode is cleared before an EOI command is issued a non-specific EOI command can be used. This could be the case in the example shown in the figure above, but, to avoid any confusion it's best to use the specific EOI whenever using the special mask mode.

it must be remembered that the special mask mode applies to all masked levels when set. Take, for instance, IR1 interrupting IR4 in the previous example. If this happened while in the special mask mode, and the IR1 routine masked itself, all interrupts would be enabled except IR1 and IR4 which are masked.

INTERRUPT TRIGGERING

There are two classical ways of sensing an active interrupt request: a level sensitive input or an edge sensitive input. The 8259A gives the user the capability for either method with the edge triggered mode and the level triggered mode. Selection of one of these interrupt triggering methods is done during the programmed initialization of the 8259A.

LEVEL TRIGGERED MODE

When in the level triggered mode the 8259A will recognize any active level on an IR input as an interrupt request. If the IR input remains active after an EOI command has been issued (resetting its ISR bit), another interrupt will be generated. This is providing, of course, the processor INT pin is enabled. Unless repetitious interrupt generation is desired, the IR input must be brought to an inactive state before an EOI command is issued in its service routine.

Caution should be taken when using the automatic EOI mode and the level triggered mode together. Since in the automatic EOI mode an EOI is automatically performed at the end of the interrupt acknowledge sequence, if the processor enables interrupts while an IR input is still active, an interrupt will occur immediately. To avoid this situation interrupts should be kept disabled until the end of the service routine or until the IR input goes inactive.

EDGE TRIGGERED MODE

When in the edge triggered mode, the 8259A will only recognize interrupts if generated by an inactive to active transition on an IR input. The edge triggered mode incorporates an edge lockout method of operation. This means that after the rising edge of an interrupt request and the acknowledgement of the request, the active level of the IR input won't generate further interrupts on this level. The user needn't worry about quickly removing the request after acknowledgement in fear of generating further interrupts as might be the case in the level triggered mode. Before another interrupt can be generated the IR input must return to the inactive state.

Like the level triggered mode, in the edge triggered mode the request on the IR input must remain active until after the falling edge of the first INTA pulse for that particular interrupt. Unlike the level triggered mode, though, after the interrupt request is acknowledged its IRR latch is disarmed. Only after IR input goes inactive will the IRR latch again become armed, making it ready to receive another interrupt request (in the level triggered mode, the IRR latch is always armed).

One possible advantage to the edge triggered input mode is that it can be used with the automatic EOI mode without the cautions in the level triggered mode. Overall, in most cases, the edge triggered mode simplifies operation for the user, since the duration of the interrupt request at a positive level is not usually a factor.

INTERRUPT STATUS

By means of software control, the user can interrogate the status of the 8259A. This allows the reading of the internal interrupt registers, which may prove useful for interrupt control during service routines. It also provides for a modified status poll method of device monitoring, by using the poll command. This makes the status of the internal IR inputs available to the user via software control. The poll command offers an alternative to the interrupt vector method, especially when used in a system in which the interrupt vector method doesn't work due to incorrect interrupt acknowledge status provided by the CPU.

READING INTERRUPT REGISTERS

The contents of each 8-bit interrupt register, IRR, ISR, and IMR, can be read to update the user's program on the present status of the 8259A. This can be a versatile tool in the decision making process of a service routine, giving the user more control over interrupt operations. Before delving into the actual process of reading the registers, let's briefly review their general descriptions:

IRR (Interrupt Request Register)	Specifies all interrupt levels requesting service.
ISR (Interrupt Service Register)	Specifies all interrupt levels which are being serviced.
IMR (Interrupt Mask Register)	Specifies all interrupt levels that are masked.

To read the contents of the IRR or ISR, the user must first issue the appropriate read register command (read IRR or read ISR) to the 8259A. Then by applying a RD pulse to the 8259A (an input instruction), the contents of the desired register can be acquired. There is no need to issue a read register command every time the IRR or ISR is to be read. Once a read register command is received by the 8259A, it "remembers" which register has been selected unless a Poll command is issued. Thus, all that is necessary to read the contents of the same register more than once is the RD pulse and the correct addressing ($A0=0$, explained in "PROGRAMMING THE INTERRUPT CONTROLLER"). Upon initialization, the selection of registers defaults to the IRR. Some caution should be taken when using the read register command in a system that supports several levels of interrupts. If the higher priority routine causes an interrupt between the read register command and the actual input of the register command and the actual input of the register contents, there's no guarantee that the same register will be selected when it returns. Thus it is best in such cases to disable interrupts during the operation.

Reading the contents of the IMR is different than reading the IRR or ISR. A read register command is not necessary when reading the IMR. This is because the IMR can be addressed directly for both reading and writing. Thus all that the 8259A requires for reading the IMR is a RD pulse and the correct addressing ($A0=1$, explained in "PROGRAMMING THE INTERRUPT CONTROLLER").

POLL COMMAND

There are two methods of servicing peripherals: status polling and interrupt servicing. For most applications the interrupt service method is best. This is because it requires the least amount of CPU time, thus increasing systems throughput. However, for certain applications, the status poll method may be desirable or even necessary (when it's used in an 8080 system without a CPU Support card to provide correct status during interrupt acknowledge, for example).

For this reason, the 8259A supports polling operations with the poll command. As opposed to the conventional method of polling, the poll command offers improved device servicing and increased throughput. Rather than having the processor poll each peripheral in order to find the actual device requiring service, the processor polls the 8259A. This allows the use of all the previously mentioned priority modes and commands. Additionally, both polled and interrupt methods can be used within the same program.

Before the poll command can be used, something must be done to stop the 8259A from receiving INTA pulses from the CPU. This can be done by disabling interrupts with the "DI" instruction or by turning OFF the "P-V" switch on the Multiport Serial card. Once the poll command is issued, the 8259A will treat the next RD pulse issued to it (an input instruction) as an interrupt acknowledge. It will then set the appropriate bit in the ISR, if there was an interrupt request, and enable a special word onto the data bus. This word shows whether an interrupt request has occurred and the highest priority level requesting service. The figure below shows the contents of the "poll word" which is read by the processor. Bits 0-2 convey the binary code of the highest priority level requesting

service. Bit 7 designates whether or not an interrupt request is present. If an interrupt request is present, bit 7 will equal 1. If there isn't an interrupt request at all, bit 7 will equal 0 and bits 0-2 will be set to ones. Service to the requesting device is achieved by software decoding the poll word and branching to the appropriate service routine. Each time the 8259A is to be polled, the poll command must be written before reading the poll word.

	D7	D6	D5	D4	D3	D2	D1	D0
Poll word:	I	-	-	-	-	W2	W1	W0

I = 1 if and interrupt occurred

W0 - W2 = binary code of highest priority level requesting service

The poll command is useful in various situations. For instance, it's a good alternative when memory is very limited, because an interrupt-vector table isn't needed. Another use for the poll command is when more than 64 interrupt levels are needed (64 is the limit when cascading 8259As). The only limit of interrupts using the poll command is the number of 8259As that can be addressed in a particular system. For those cases when the 8259A is using the poll command only and not the interrupt method, each 8259A must still receive an initialization sequence. This must be done even though the interrupt vector features of the 8259A are not used. In this case, the interrupt vector specified in the initialization sequence could be a "fake".

INTERRUPT CASCADING

As mentioned earlier, more than one 8259A can be used to expand the priority interrupt scheme to up to 64 levels without additional hardware. This method for expanded interrupt capability is called "cascading". The 8259A supports cascading operations with the cascade mode. Additionally, the special fully nested mode is available for increased flexibility when cascading 8259As in certain applications.

CASCADE MODE

When programmed in the cascade mode, basic operations consists of one 8259A acting as a master to the others which are serving as slaves. The 8259A on the Multiport serial card can act as a slave to the master 8259A on a Seattle Computer Products CPU Support card.

A specific hardware set-up is required to establish operation in the cascade mode. The INT output pin of each slave is connected to an IR input pin of the master. Inputs IR0 and IR2 - IR7 of the master are connected to VI0 and VI2 - VI7 respectively. If the Multiport Serial card is to be used as a slave to the CPU Support card, its "INT" output should be connected to one of the VI lines which are cascadable (VI0 and VI2 - VI7). This is done by setting the interrupt jumper in the lower left corner so that it corresponds to the desired VI number on the silk-screened legend. The three "CAS" lines provided by the master must be connected to the CAS inputs on the slaves. The CPU Support card (Rev. F or higher) drives the S-100 lines A0-A2 with the data from the CAS lines during interrupt acknowledge. To enable the Multiport Serial card's slave 8259A to read these CAS lines, the "M-S" switch should be ON to enable the cascade address drivers. The "P-V" switch should also be on so that the Multiport Serial card's 8259A receives INTA pulses during interrupt acknowledge.

Besides hardware set-up requirements, all 8259A's must be software programmed to work in the cascade mode. Programming the cascade mode is done during the initialization of each 8259A. The 8259A that is selected as master must receive specifications during its initialization as to which of its IR inputs are connected to a slave's INT pin. Each slave 8259A, on the other hand, must be designated during its initialization with an ID (0 thru 7) corresponding to which of the master's IR inputs its INT pin is connected to. This is all necessary so the three CAS lines from the master will be able to address each individual slave. Note that as in normal operation, each 8259A must also

be initialized to give IR inputs a unique interrupt vector. More detail on the necessary programming of the cascade mode is explained in "PROGRAMMING THE INTERRUPT CONTROLLER".

Now, with background information on both hardware and software for the cascade mode, let's go over the sequence of events that occur during a valid interrupt request from a slave. Suppose a slave IR input has received an interrupt request. Assuming this request is higher priority than other requests and in-service levels on the slave, the slave's INT pin is driven high. This signals the master of the request by causing an interrupt request on a designated IR pin of the master. Again, assuming that this request to the master is higher priority than other master requests and in-service levels (possibly from other slaves), the master's INT pin is pulled high, interrupting the processor.

The interrupt acknowledge sequence appears to the processor the same as the non-cascading interrupt acknowledge sequence; however, it's different among the 8259As. The first INTA pulse is used by all the 8259As for internal set-up purposes and, if in the 8080 mode, the master will place the CALL opcode on the data bus. The first INTA pulse also signals the master to place the requesting slave's ID code on the CAS lines and hence on A0-A2 of the S-100 bus. This turns control over to the slave for the rest of the interrupt acknowledge sequence, placing the appropriate pre-programmed interrupt vector on the data bus, completing the interrupt request.

During the interrupt acknowledge sequence, the corresponding ISR bit of both the master and the slave get set. This means two EOI commands must be issued (if not in the automatic EOI mode), one for the master and one for the slave.

Special consideration should be taken when mixed interrupt requests are assigned to a master 8259A; that is, when some of the master's IR inputs are used for slave interrupt requests and some are used for individual interrupt requests. In this type of structure, the master's IRO must not be used for a slave. This is because when an IR input that isn't initialized as a slave receives an interrupt request, the three CAS lines won't be activated, thus staying in the default condition addressing for IRO (slave IRO). If a slave is connected to the master's IRO when a non-slave interrupt occurs on another master IR input, erroneous conditions may result. Thus IRO should be the last choice when assigning slaves to IR inputs.

SPECIAL FULLY NESTED MODE

Depending on the application, changes in the nested structure of the cascade mode may be desired. This is because the nested structure of a slave 8259A differs from that of the normal fully nested mode. In the cascade mode, if a slave receives a higher priority interrupt request than one which is in service (through the same slave), it won't be recognized by the master. This is because the master's ISR bit is set, ignoring all requests of equal or lower priority. Thus, in this case, the higher priority slave interrupt won't be serviced until after the master's ISR bit is reset by an EOI command. This is most likely after the completion of the lower priority routine.

If the user wishes to have a truly fully nested structure within a slave 8259A, the special fully nested mode should be used. The special fully nested mode is programmed in the master only. This is done during the master's initialization. In this mode the master will ignore only those interrupt requests of lower priority than the set ISR bit and will respond to all requests of equal or higher priority. Thus if a slave receives a higher priority request than one which is in service, it will be recognized. To insure proper interrupt operation when using the special fully nested mode, the software must determine if any other slave interrupts are still in service before issuing an EOI command to the master. This is done by resetting the appropriate slave ISR bit with an EOI and then reading its ISR. If the ISR contains all zeros, there aren't any other interrupts from the slave in service and an EOI command can be sent to the master. If the ISR isn't all zeros, an EOI command shouldn't be sent to the master. Clearing the master's ISR bit with an EOI command while there are still slave interrupts in service would allow lower priority interrupts to be recognized at the master.

PROGRAMMING THE INTERRUPT CONTROLLER

Programming the 8259A interrupt controller is accomplished by using two types of command words: Initialization Command Words (ICWs) and Operational Command Words (OCWs). All the modes and commands explained in the previous section, "OPERATION OF THE INTERRUPT CONTROLLER", are programmable using the ICWs and OCWs. The ICWs are issued from the processor in a sequential format and are used to set up the 8259As in an initial state of operation. The OCWs are issued as needed to vary and control 8259A operation.

Both ICWs and OCWs are sent by the processor to the 8259A via output commands from the processor. The 8259A distinguishes between the different ICWs and OCWs by the state of its A0 pin, the sequence they're issued in (ICWs only), and some dedicated bits among the ICWs and OCWs. The state of the A0 pin is defined by which port the ICW or OCW is sent to. For the Multiport Serial card, A0 = 0 corresponds to BASE+12 and A0 = 1 corresponds to BASE+13. Those bits which are dedicated are indicated so by fixed values (0 or 1) in the corresponding ICW or OCW programming formats which are covered shortly. Note: when issuing either ICWs or OCWs, the interrupts should be disabled at the processor (using the DI function of the CPU).

INITIALIZATION COMMAND WORDS

Before normal operation can begin, each 8259A in the system must be initialized by a sequence of four ICWs. Note that once initialized, if any programming changes within the ICWs are to be made, all four ICWs must be reprogrammed in sequence.

Certain internal set up conditions occur automatically within the 8259As after the first ICW has been issued. These are:

- 1> The In-Service Register and Interrupt Mask Register are both cleared. (Clearing the IMR enables all eight interrupt request inputs).
- 2> The special mask mode is reset.
- 3> Rotation at Automatic End Of Interrupt is disabled.
- 4> The Interrupt Request Register is selected for the read register command.
- 5> The fully nested mode is entered with an initial priority assignment of IR0 highest through IR7 lowest.
- 6> The edge sense latch of each IR input is cleared thus requiring an active transition to generate an interrupt if the edge triggered input mode is chosen in ICW1.

The ICW programming format below shows bit designations. A complete description of each bit follows the table.

	D7	D6	D5	D4	D3	D2	D1	D0
ICW1 A0=0	A7	A6	A5	1	LTIM	ADI	0	1
ICW2 A0=1	A15/T7	A14/T6	A13/T5	A12/T4	A11/T3	A10	A9	A8
ICW3 (Master) A0=1	S7	S6	S5	S4	S3	S2	S1	S0
ICW3 (Slave) A0=1	0	0	0	0	0	ID2	ID1	ID0
ICW4 A0=1	0	0	0	SNFM	1	M/S	AEOI	uPM

ICW1 & ICW2

ADI: The ADI bit is used to specify the address interval for the 8080 mode. If a four byte address interval is to be used, ADI must equal 1. For an eight byte address interval, ADI must equal zero. The state of ADI is ignored when the 8086 mode is selected.

LTIM: The LTIM bit is used to select between the two interrupt request input triggering modes. If LTIM = 1, the level triggered input mode is selected. If LTIM = 0, the edge triggered input mode is selected.

A5-A15: The A5-A15 bits are used to select the interrupt vector address when in the 8080 mode. There are two programming formats that can be used to do this. Which one is implemented depends upon the selected address interval (ADI). If ADI is set for the four-byte interval, then the 8259A will automatically insert A0-A4 (A0-A1 = 0, A2-A4 = interrupt request number). Thus A5-A15 must be user selected by programming the A5-A15 bits with the desired address. If ADI is set for the eight-byte interval, then A0-A5 are automatically inserted (A0-A2 = 0, A3-A5 = interrupt request number). This leaves A6-A15 to be selected by programming the A6-A15 bits with the desired address. The state programmed for A5 is ignored in the latter format.

T3-T7: The T3-T7 bits are used to select the interrupt type when the 8086 mode is used. The programming of T3-T7 selects the upper five bits of the interrupt type (interrupt vector). The lower three bits are automatically inserted corresponding to the interrupt request level causing the interrupt. The state of bits A5-A10 will be ignored when in the 8086 mode. Computing the actual memory address of the interrupt is done by multiplying the interrupt type (i.e. the interrupt vector) by four. Thus T3 corresponds to A5, T4 to A6, etc.

ICW3

S0-S7: If the 8259A is initialized to be the Master (if it is to be polled only or it's the only one in the system operating in the vectored mode), then S0-S7 in ICW3 define which interrupt request inputs have Slaves on them. A 1 designates a Slave, a 0 means no Slave (i.e. a normal interrupt request input). This description of the function of the S0-S7 bits is provided for informational purposes only, in practice the 8259A on the Multiport Serial card can't have any slaves on it's IR inputs since these are dedicated to the eight IR sources on the board. Thus S0-S7 should all be programmed as zeros.

ID0-ID2: If the 8259A is being initialized as a Slave, then ID0-ID2 in ICW3 identify which of the Master's interrupt request lines the Slave is connected to. If the Multiport Serial card is

being used as a slave to the master on a CPU Support card, then ID0-ID2 would be programmed to correspond to the S-100 VI line the Multiport Serial card is connected to (see the section on the Cascade Mode).

ICW4

uPM: The uPM bit allows for selection of either the 8080 or 8086 mode. If set as a 1, the 8086 mode is selected, if a 0, the 8080 mode is selected.

AEOI: The AEOI bit is used to select the automatic end of interrupt mode. If AEOI = 1, the automatic end of interrupt mode is selected. If AEOI = 0, it isn't selected; thus an EOI command must be used during a service routine.

M/S: The M/S bit defines whether the 8259A is the Master or a Slave. When M/S is set to a 1, the 8259A operates as the Master; when M/S is 0, it operates as a Slave. Unless the 8259A on the Multiport Serial card is actually functioning as a slave to the master 8259A on a CPU Support card, it should be programmed as a master.

SFNM: The SFNM bit designates selection of the special fully nested mode. Only the Master should be programmed in the special fully nested mode to assure a truly fully nested structure among the Slave interrupt request inputs. If SFNM is set to 1, the special fully nested mode is selected; if SFNM is 0, it is not selected.

OPERATIONAL COMMAND WORDS

Three OCWs are available for programming various modes and commands. Unlike the ICWs, OCWs needn't be in any type of sequential order. Rather, they are issued by the processor as needed within a program.

The OCW programming format below shows the bit designation for each OCW. With the OCW format as reference, the functions of each OCW will be explained individually.

	D7	D6	D5	D4	D3	D2	D1	D0
OCW1								
A0=1	M7	M6	M5	M4	M3	M2	M1	M0
OCW2								
A0=0	R	SL	EOI	0	0	L2	L1	L0
OCW3								
A0=0	0	ESMM	SMM	0	1	P	RR	RIS

OCW1

OCW1 is used solely for 8259A masking operations. It provides a direct link to the Interrupt Mask Register. The processor can write to or read from the Interrupt Mask Register via OCW1. The OCW1 bit definition is as follows:

M0-M7: The M0-M7 bits are used to control the masking of the interrupt request inputs. If an M bit is set to a 1, it will mask the corresponding interrupt request input. A 0 clears the mask, thus enabling the interrupt request input. These bits convey the same meaning when being read by the processor for status update.

Note that to change the value of a single mask bit it is simplest to read the current mask, force the desired bit high or low using OR or AND instructions, and write the new mask back.

OCW2

OCW2 is used for end of interrupt, automatic rotation, and specific rotation operations. Associated commands and modes of these operations (with exception of AEOI initialization), are selected using the bits of OCW2 in a combined fashion as explained below. A complete explanation of the different modes and commands is given in the previous section "OPERATION OF THE INTERRUPT CONTROLLER".

R	SL	EOI	
0	0	0	Disable rotation at automatic end of interrupt (AEOI).
0	0	1	Non-specific end of interrupt.
0	1	0	No operation.
0	1	1	Specific end of interrupt. L0-L2 is the ISR bit to reset.
1	0	0	Enable rotation at automatic end of interrupt (AEOI).
1	0	1	Non-specific end of interrupt with priority rotation.
1	1	0	Set priority using L0-L2.
1	1	1	Specific end of interrupt with priority rotation.

R: The R bit is used to control all 8259A rotation operations. If the R bit is set to a 1, a form of priority rotation will be executed depending on the state of the SL and EOI bits. If R is 0, rotation won't be executed.

SL: The SL bit is used to select a specific level for a given operation. If SL is set to a 1, the L0-L2 bits are enabled. The operation selected by the EOI and R bits will be executed on the specified interrupt level. If SL is 0, the L0-L2 bits are disabled.

EOI: The EOI bit is used for all end of interrupt commands (not automatic end of interrupt mode). If set to a 1, a form of an end of interrupt command will be executed depending on the state of the SL and R bits. If EOI is 0, an end of interrupt command won't be executed.

L0-L2: The L0-L2 bits are used to designate an interrupt level (0-7) to be acted upon for the operation selected by the EOI, SL, and R bits of OCW2. The level designated will either be used to reset a specific Interrupt Service Register (ISR) bit or to set a specific priority. The L0-L2 bits are enabled or disabled by the SL bit.

OCW3

OCW3 is used to issue various modes and commands to the 8259As. There are two main categories of operation associated with OCW3: interrupt status and interrupt masking. Bit definition of OCW3 is as follows:

ESMM: The ESMM bit is used to enable or disable the effect of the SMM bit. If ESMM is set to a 1, SMM is enabled. If ESMM is 0, SMM is disabled. This bit is useful to prevent interference of mode and command selections in OCW3.

SMM: The SMM bit is used to set the special mask mode. If SMM is set to a 1, the special mask mode is enabled. If it is 0, it is disabled. The state of the SMM bit is only honored if it is enabled by the ESMM bit.

P: The P bit is used to issue the poll command. If P is set to a 1, the poll command is issued. If it is 0, the poll command isn't issued. The poll command will override a read register command if set simultaneously.

RR: The RR bit is used to execute the read register command. If RR is set to a 1, the read register command is issued and the state of RIS determines the register to be read. If RR is 0, the read register command isn't issued.

RIS: The RIS bit is used to select the ISR or IRR for the read register command. If RIS is set to a 1, the In-Service Register is selected. If RIS is 0, the Interrupt Request Register is selected. The state of the RIS bit is only honored if the RR bit is a 1.

Theory of Operation

The functions of this card are implemented with MOS LSI microprocessor support chips, with TTL used for S-100 bus interface. Most of the circuitry is very straight forward and requires no explanation, so only selected portions of the circuit are discussed below.

Wait State Generator

When a wait state is to be generated, the circuit simply gates inverted pSYNC from the CPU onto the RDY line with a driver wired for open-collector operation. The use of pSYNC to generate a wait state may not work with all CPU cards, although it should according to the IEEE S-100 standard. It does work with the SCP 8086 CPU card, which when run at 8 MHz is the only card we know of that needs the wait state.

Pulse Stretcher

This circuit is formed primarily by U19, pins 1 - 7 and 15, U20 pins 8 - 13, and U21 pins 8 - 10. Its purpose is to stretch the RD (read), WR (write), and INTA (interrupt acknowledge) pulses to meet the minimum pulse width requirements of the MOS LSI parts.

When pSTVAL goes high during pSYNC, one of the flip-flops of U19 is cleared. This allows inverted copies of sINP, sOUT, and sINTA to be gated through as the control lines RD, WR, and INTA, respectively. One of these control lines stays active until the trailing edge of either pWR* or pDBIN clocks the flip-flop and gates it off. The "trailing edge" means the rising edge of pWR* or the falling edge of pDBIN. Thus the control pulse terminates just about the time it would have if pDBIN or pWR had been used, but it starts considerably earlier.

The "M-S" Switch

When the 8259A interrupt controller on the Multiport Serial card is slaved to the master 8259A on a SCP CPU Support card (Rev. F or higher), the CPU Support card provides three "cascade" address lines to indicate which of the up to eight slaves is enabled during interrupt acknowledge. The data from the three "cascade" lines is available on the lowest three bits of the address bus. When the M-S switch is on, three sections of U24 drive the three "CAS" inputs of the 8259A with data from A0-A2. If the 8259A is used as a master, the M-S switch should be off to disable the three CAS drivers since the 8259A will be trying to drive these lines as outputs.

The Baud Rate Generators

The Multiport Serial card uses a pair of Western Digital BR1941L-5 or BR2941L-5 dual baud rate generator chips to provide the four baud rates required by the four channels. The baud rate is programmed into the generators by setting the binary combination desired on the "R" or "T" inputs and strobing the "ST" input with a positive pulse. The output baud rate is available on the "F" output which connects to the RxC and TxC clock inputs of the 8251A USARTs. The "X" inputs are two-phase clock inputs which are driven by a 4.9152 MHz crystal oscillator.

One-Year Limited Warranty

WARRANTEE AND WARRANTY PERIOD

The Seattle Computer Products (hereinafter referred to as SCP) warranty for this product extends to the original purchaser and all subsequent owners of the product for a period of one year from the time the product is first sold at retail and for such additional time as the product may be out of the owner's possession for the purpose of receiving warranty service at the factory.

WARRANTY COVERAGE

This product is warranted to be free from defects of material and workmanship and to perform within its specifications as detailed in the instruction or operating manual during the period of the warranty.

This warranty does not cover damage and is void if the product has been damaged by neglect, accident, unreasonable use, improper repair, or other causes not arising out of defects in material or workmanship.

WARRANTY PERFORMANCE

During the warranty period, SCP will repair or replace defective boards or products or components of boards or products upon written notice that a defect exists. Certain high value parts may have to be returned to SCP prior to replacement. Other components will be replaced without the part having to be returned to the factory with the exception the SCP retains the right in all cases to examine the defective board or other products prior to the items replacement under the warranty. In the event the return of the board, product, or component is requested by SCP under this warranty, the owner shall ship the item prepaid to the SCP factory. SCP will pay for shipment of replacement items back to the owner. All repairs or replacements under this warranty will be performed by SCP within five working days of receipt of notice of defect or return of components as called for under this warranty.

WARRANTY DISCLAIMERS

While high reliability was a major design factor for this product and care was used in its manufacture, no certainty can be achieved that any particular product will operate correctly for any specific time. No representation is made by SCP that this product will not fail in normal use. Because of the inability to guarantee 100% reliability, SCP shall not be liable for any consequential damage the user may suffer because the products fails to function reliably 100% of the time. Any implied warranties arising from the sale of this product are limited in duration to the warranty period defined above.

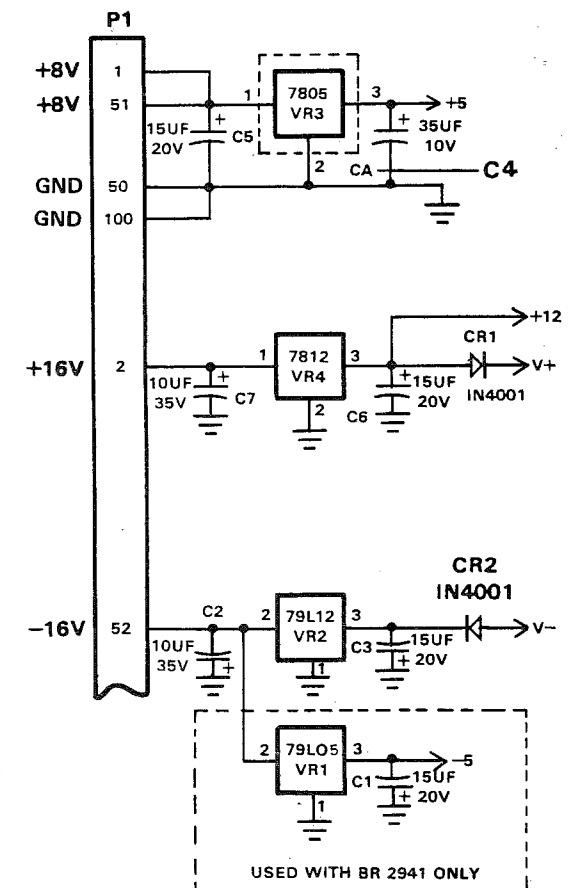
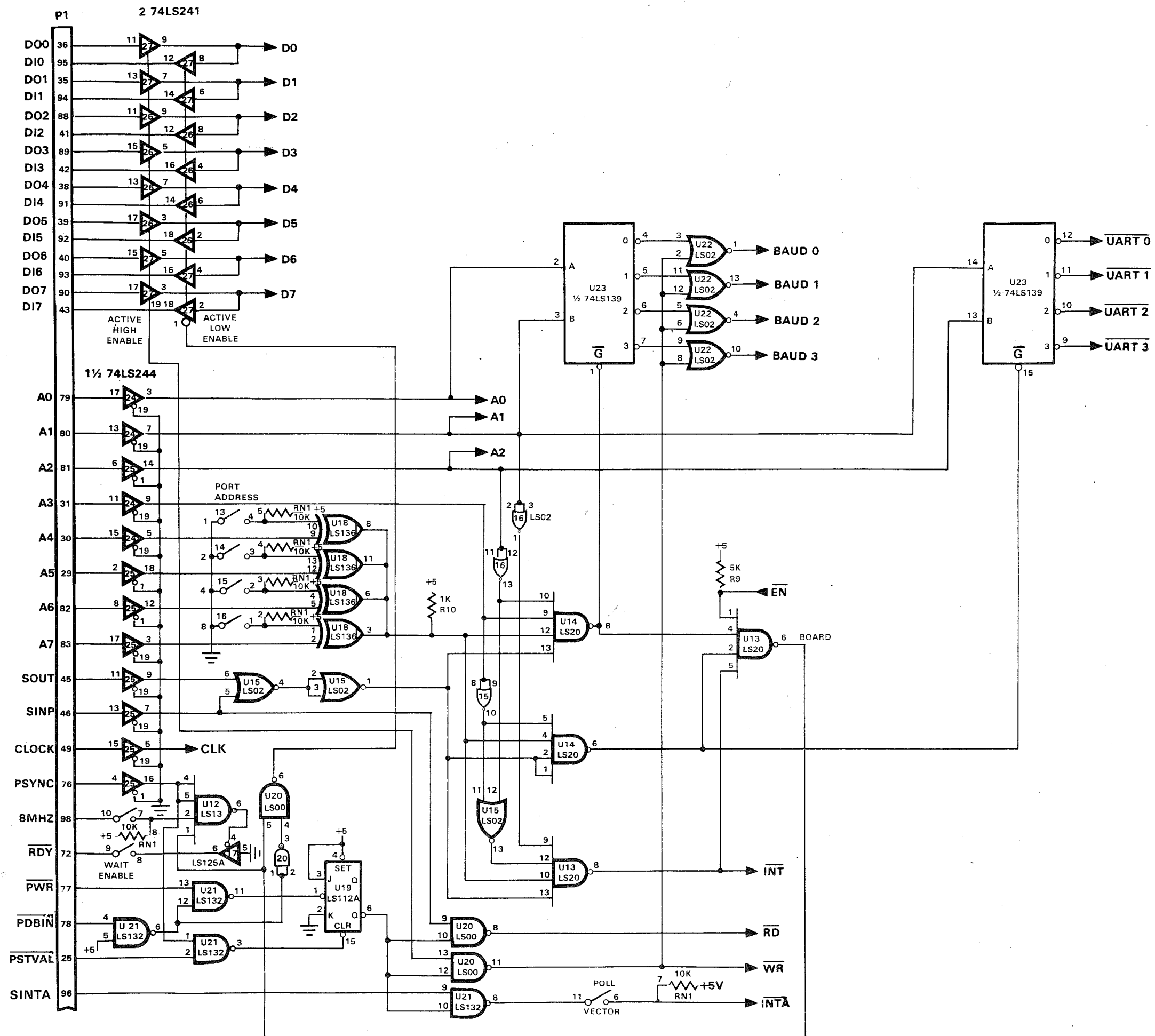
LEGAL REMEDIES

This warranty gives the purchaser specific legal rights. He may have additional rights which vary from state to state.

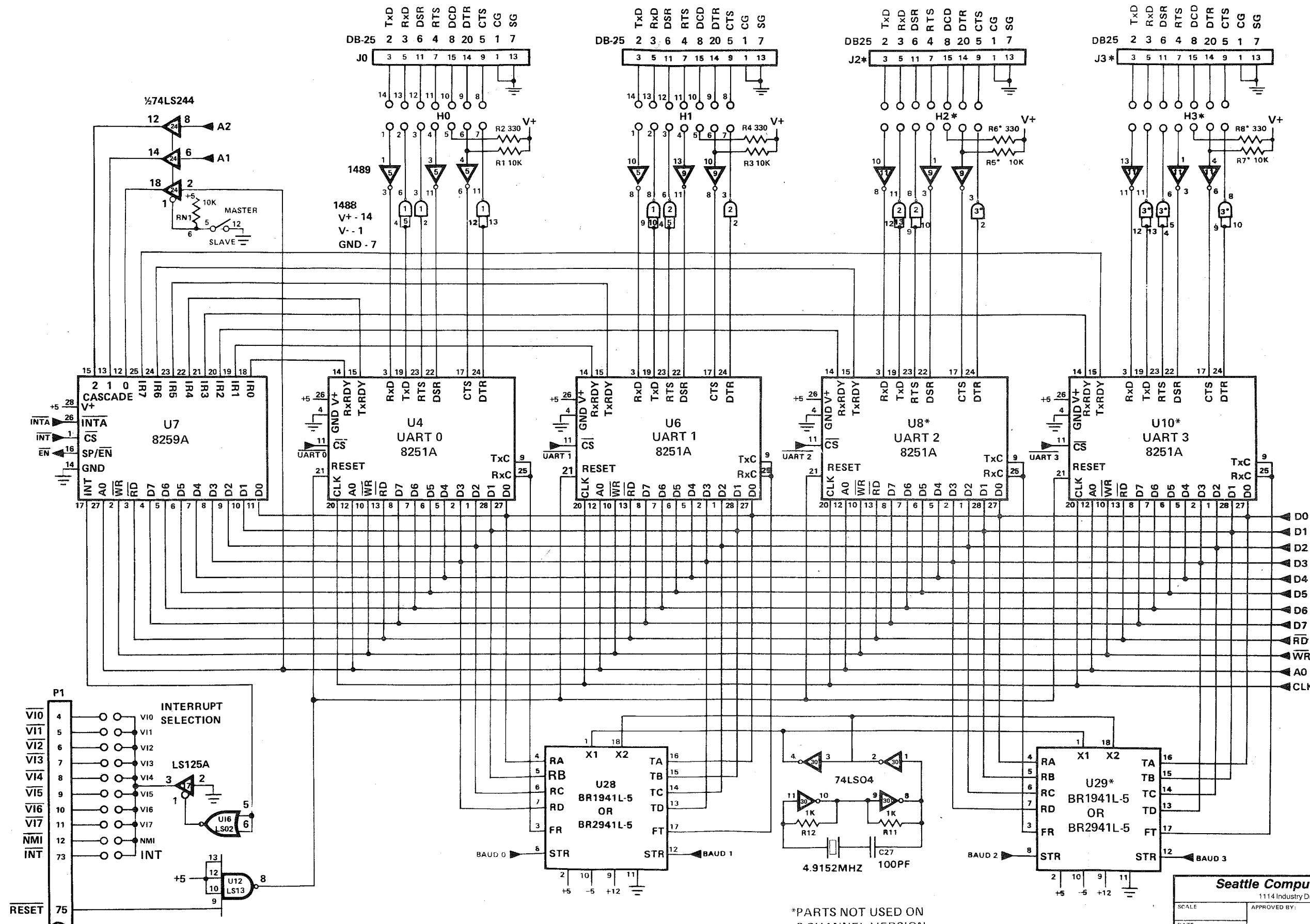
SHIPPING INSTRUCTIONS

In the event it becomes necessary to return the product or component to SCP, also return a written explanation of the difficulty encountered along with your name, address and phone number. Package the items in a crushproof container with adequate packing material to prevent damage and ship prepaid to:

Seattle Computer Products
1114 Industry Drive
Seattle, Washington 98188



Seattle Computer Products Inc.		
1114 Industry Drive Seattle, WA 98188		
SCALE	APPROVED BY:	REVISED
DATE: 9-24-80		DRAWN BY
MULTI-PORT SERIAL		
T. PATERSON		DRAWING NUMBER SCP400C



*PARTS NOT USED ON 2-CHANNEL VERSION

Seattle Computer Products Inc.		
1114 Industry Drive Seattle, WA 98188		
SCALE	APPROVED BY:	REVISED
DATE: 9-24-80		DRAWN BY
MULTI-PORT SERIAL		
T. PATERSON		DRAWING NUMBER
		SCP400C



