

AD-A126 527

MULTIPROCESSOR SHARED MEMORY (MSM) DEVELOPMENT(U) AIR  
FORCE WRIGHT AERONAUTICAL LABS WRIGHT-PATTERSON AFB OH  
J A LUKE JAN 83 AFMAL-RR-83-1024-VOL-1

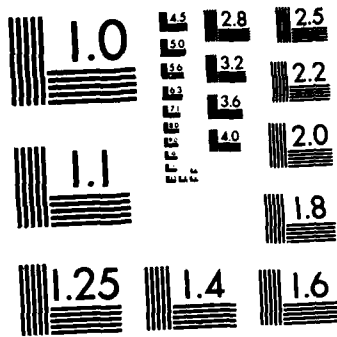
1/1

UNCLASSIFIED

F/G 9/2

NL

								END					
								FILED					
								21					
								67C					

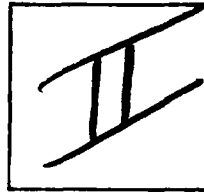


MICROCOPY RESOLUTION TEST CHART  
NATIONAL BUREAU OF STANDARDS-1963-A

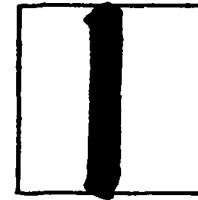
PHOTOGRAPH THIS SHEET

AD A 126527

DTIC ACCESSION NUMBER



LEVEL



INVENTORY

AFWAL-TR-83-1024, Vol. I

DOCUMENT IDENTIFICATION Final, May '79 - Nov. '82

Luke, John A.,

Jan. 83

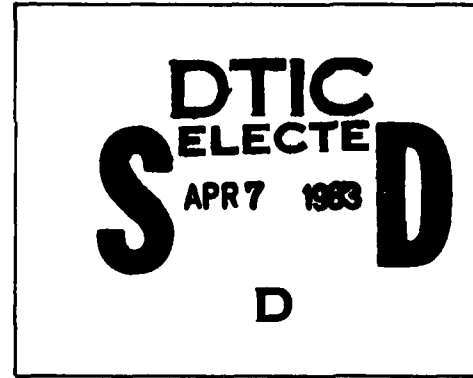
DISTRIBUTION STATEMENT A

Approved for public release;  
Distribution Unlimited

DISTRIBUTION STATEMENT

ACCESSION FOR	
NTIS	GRA&I <input checked="" type="checkbox"/>
DTIC	TAB <input type="checkbox"/>
UNANNOUNCED	<input type="checkbox"/>
JUSTIFICATION	
BY	
DISTRIBUTION /	
AVAILABILITY CODES	
DIST	AVAIL AND/OR SPECIAL
A	

DISTRIBUTION STAMP



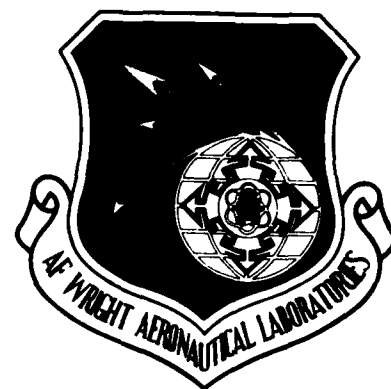
DATE ACCESSIONED



DATE RECEIVED IN DTIC

PHOTOGRAPH THIS SHEET AND RETURN TO DTIC-DDA-2

AFWAL-TR-83-1024, Vol. I



MULTIPROCESSOR SHARED MEMORY (MSM)  
DEVELOPMENT

JAHN A. LUKE

JANUARY 1983

FINAL REPORT FOR THE PERIOD MAY 1979 - NOV 1982

APPROVED FOR PUBLIC RELEASE,  
DISTRIBUTION UNLIMITED

AVIONICS LABORATORY  
AIR FORCE WRIGHT AERONAUTICAL LABORATORIES  
AIR FORCE SYSTEMS COMMAND  
WRIGHT-PATTERSON AIR FORCE BASE, OHIO 45433


ADA 126527

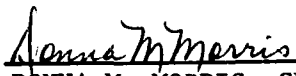
NOTICE

When Government drawings, specifications, or other data are used for any purpose other than in connection with a definitely related Government procurement operation, the United States Government thereby incurs no responsibility nor any obligation whatsoever; and the fact that the government may have formulated, furnished, or in any way supplied the said drawings, specifications, or other data, is not to be regarded by implication or otherwise as in any manner licensing the holder or any other person or corporation, or conveying any rights or permission to manufacture use, or sell any patented invention that may in any way be related thereto.


This report has been reviewed by the Office of Public Affairs (ASD/PA) and is releasable to the National Technical Information Service (NTIS). At NTIS, it will be available to the general public, including foreign nations.

This technical report has been reviewed and is approved for publication.

  
\_\_\_\_\_  
JOHN A. LUKE  
Project Engineer  
System Projects & Simulation Group  
Avionics Laboratory

  
\_\_\_\_\_  
DONNA M. MORRIS, Chief  
System Projects & Simulation Group  
Avionics Laboratory

**FOR THE COMMANDER:**

  
\_\_\_\_\_  
ISRAEL I. CARO, Maj, USAF  
Chief, Support Systems Branch  
Avionics Laboratory

"If your address has changed, if you wish to be removed from our mailing list, or if the addressee is no longer employed by your organization please notify AFWAL/AAAF, W-PAFB, OH 45433 to help us maintain a current mailing list".

Copies of this report should not be returned unless return is required by security considerations, contractual obligations, or notice on a specific document.

REPORT DOCUMENTATION PAGE		READ INSTRUCTIONS BEFORE COMPLETING FORM
1. REPORT NUMBER AFWAL-TR-83-1024 Vol I	2. GOVT ACCESSION NO. ADA126 527	3. RECIPIENT'S CATALOG NUMBER
4. TITLE (and Subtitle) Multiprocessor Shared Memory (MSM) Development		5. TYPE OF REPORT & PERIOD COVERED Final Report May 1979 - Nov 1982
		6. PERFORMING ORG. REPORT NUMBER
7. AUTHOR(s) Jahn A. Luke		8. CONTRACT OR GRANT NUMBER(s)
9. PERFORMING ORGANIZATION NAME AND ADDRESS Support Systems Branch (AFWAL/AAAF) Air Force Wright Aeronautical Laboratories Wright-Patterson AFB, OH 45433		10. PROGRAM ELEMENT, PROJECT, TASK AREA & WORK UNIT NUMBERS  20030351
11. CONTROLLING OFFICE NAME AND ADDRESS System Avionics Division (AFWAL/AAA) Air Force Wright Aeronautical Laboratories Wright-Patterson AFB, OH 45433		12. REPORT DATE January 1983
		13. NUMBER OF PAGES 13
14. MONITORING AGENCY NAME & ADDRESS (if different from Controlling Office)		15. SECURITY CLASS. (of this report)  Unclassified
		15a. DECLASSIFICATION/DOWNGRADING SCHEDULE N/A
16. DISTRIBUTION STATEMENT (of this Report)  Approved for public release; distribution unlimited.		
17. DISTRIBUTION STATEMENT (of the abstract entered in Block 20, if different from Report)		
18. SUPPLEMENTARY NOTES The computer software contained herein are theoretical and/or references that in no way reflect Air Force-owned or developed computer software.		
19. KEY WORDS (Continue on reverse side if necessary and identify by block number) Multiprocessor Shared Memory, DECsystem-10, PDP-11 minicomputer, DMA10, Real-time Simulation, F-16, MIL-STD-1553 Multiplex Data Bus		
20. ABSTRACT (Continue on reverse side if necessary and identify by block number) This report outlines the developmental aspects of the Multiprocessor Shared Memory (MSM), a contractual and in-house effort by AFWAL/AAAF for the Avionics System Analysis and Integration Laboratory (AVSAIL) located at the Avionics Laboratory. The development of the MSM device was based on the requirement for a faster transfer of data between the DECsystem-10 mainframe computer and the satellite PDP-11 Minicomputers during real-time simulations. The existing DMA10 (direct access memory device) was too slow in handling simultaneous simulations, or a real-time simulation and file (CONT)		

Unclassified

SECURITY CLASSIFICATION OF THIS PAGE(When Data Entered)

transfer program running concurrently. Included in this report is a general description of the MSM prototype and its specifications.

1. Title  
2. Author  
3. Date

Unclassified

SECURITY CLASSIFICATION OF THIS PAGE(When Data Entered)

## TABLE OF CONTENTS

<u>Section</u>	<u>Title</u>	<u>Page</u>
1.0	Introduction	1
2.0	Background	1
2.1	AVSAIL/Real-time	1
2.2	DMA10	1
2.3	MPA	4
2.4	MSM	4
3.0	Development (Contractual)	4
4.0	Development (In-House)	9
5.0	Description Summary	10
6.0	Design Features	10
7.0	MSM Prototype	11
7.1	Description	11
7.2	Specifications	13



## LIST OF FIGURES

<u>Figure #</u>	<u>Title</u>	<u>Page</u>
1	AVSAIL Real-time Configuration for F-16 IAS	2
2	DMAIO Transfer Timing Illustration	3
3	MSM Transfer Timing Illustration	5
4	Multiprocessor Shared Memory Block Diagram	6
5	Memory Subsystem Block Diagram	7
6	Interprocessor Communications Subsystem Block Diagram	8
7	Single Channel MSM (Prototype)	12

## 1.0 INTRODUCTION

This is a final report on the development of the Multiprocessor Shared Memory (MSM), a contractual and in-house effort by AFWAL/AAAF for the Avionics System Analysis and Integration Laboratory (AVSAIL) located at the Avionics Laboratory. This report outlines the developmental aspects of the MSM and provides a general technical description of its design. A detailed technical description is found in the "Critical Item Product Function Specification for a Multiprocessor Shared Memory (MSM)", AFWAL-TR-83-1024, Vol I. Included in this report is a description of the MSM prototype currently in use at AVSAIL and its specifications.

## 2.0 BACKGROUND

### 2.1 AVSAIL/Real-Time

When AVSAIL began operation in 1975, the DECsystem-10 mainframe computer, eight PDP-11 minicomputers, and the DEC DMA10 were designated as the primary hardware components dedicated to support the real-time efforts of the System Avionics Division. The DECsystem-10 was to be used basically for the computational loads required of simulations. The satellite PDP-11's were to provide assistance for the controls and displays of the cockpit simulators and drive the graphics system for "out-the-window" scenes. The DMA10 (direct memory access device) was to transfer data between the mainframe and satellite computers.

However, within a couple years, requirements were such that AVSAIL could not adequately support two, large scale projects of the System Avionics Division. The real-time cockpit efforts of the Digital Avionics Information System (DAIS) and the F-16 Independent Assessment Simulator (IAS) could not run their simulations simultaneously. The F-16 IAS simulation program crashed frequently when running concurrently with DMAX, a program used for file transfers between the PDP-11 and DECsystem-10. These problems were found to be the result of the DMA10, the link between the DECsystem-10 and PDP-11 minicomputers. Figure 1 illustrates the problem that occurred during the F-16 IAS simulation.

### 2.2 DMA10

The DMA10, produced by the Digital Equipment Corporation (DEC), is a programmable word transfer link which connects the DECsystem-10 to as many as eight PDP-11 minicomputers. It uses a circular scanner as a means of processing memory requests. The DMA10 uses the lower 256K of DECsystem-10 memory as the location where the PDP-11 can access during read and write operations. This common "window" can be as large as 24K for the PDP-11. Communications between processors is done via interrupts.

The main limitation of the DMA10 has been its speed. Figure 2 illustrates the transfer time capability of the DMA10. Data transfers were not fast enough for the Fire Control Computer (FCC) on the

PROBLEM: DMA10 time restriction during simulated RT to RT data transfer causes FCC on 1553 Multiplex Data Bus to time out. Model data cannot be sent fast enough for corresponding RT on 1553 Bus. Condition existed when three or more DMA10 channels were occupied.

1553 Bus @ 1 bit/usec  
 16-data  
 3-syn  
 1-parity  
 20 bits/word or 16 bit/20 usec

Simulated RT to RT transfer requires two data transfers or 16 bits/10 usec.

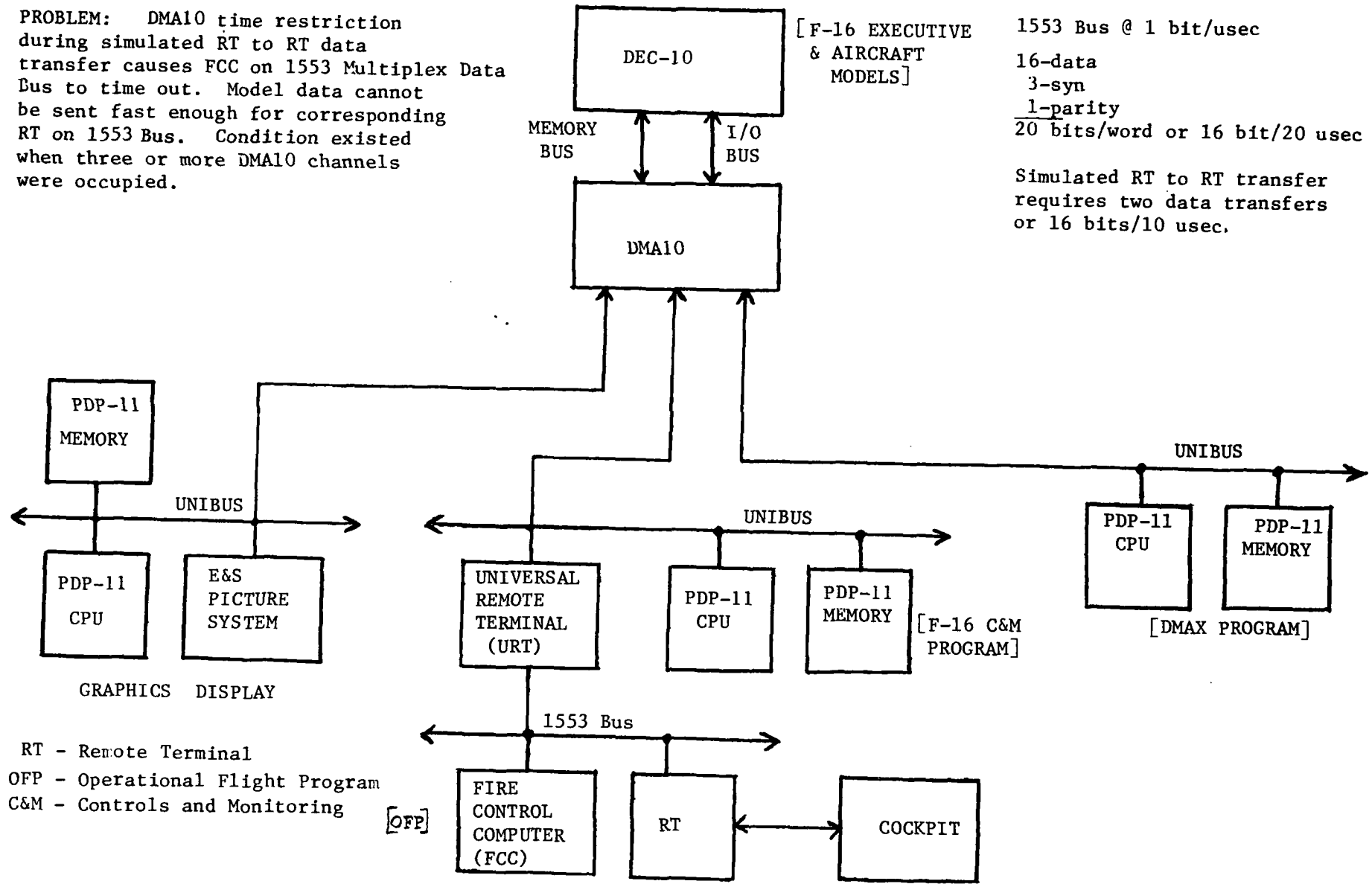


FIGURE 1. AVSAIL REAL-TIME CONFIGURATION FOR F-16 IAS

T<sub>DATA</sub> = TRANSFER TIME FROM PDP-11 TO DECsystem-10 MEMORY (PDP-11 READ)  
(EXCLUDES ANY UNIBUS CABLE DELAYS AND LATENCY).

N = # OF DMA CHANNELS SCANNED.

M = # OF DMA CHANNELS REQUIRING SERVICE.

DMA-10c SCAN TIME = .3 μs

DMA-10 TRANSFER TIME = 3.1 μs

---

T<sub>DATA</sub> = N(SCAN TIME) + M(TRANSFER TIME)

1. BEST CASE (ONE ACTIVE CHANNEL):

$$\begin{aligned} T_{DATA} &= 1(.3 \mu\text{SEC}) + 1(3.1 \mu\text{SEC}) \\ &= 3.4 \mu\text{SEC} \end{aligned}$$

2. WORST CASE (EIGHT ACTIVE CHANNELS):

$$\begin{aligned} T_{DATA} &= 8(.3 \mu\text{SEC}) + 8(3.1 \mu\text{SEC}) \\ &= 27.2 \mu\text{SEC} \end{aligned}$$

3. F-16 IAS + DMAX (THREE ACTIVE CHANNELS):

$$\begin{aligned} T_{DATA} &= 3(.3 \mu\text{SEC}) + 3(3.1 \mu\text{SEC}) \\ &= 10.2 \mu\text{SEC} \rightarrow \text{THIS DOES NOT MEET RT TO RT TRANSFER REQUIREMENTS.} \end{aligned}$$

FIGURE 2. DMA10 TRANSFER TIMING ILLUSTRATION

MIL-STD-1553 Multiplex Data Bus, when three or more DMA10 channels were active during an F-16 IAS simulation. Another limitation is the requirement that all programs using the device must be locked within the first 256K of core memory. The DMA10 is limited to 18-bit addressability of the DECsystem-10 memory.

### 2.3 MPA

The first attempt to replace the DMA10 resulted in the preparation of a development specification for a Memory Priority Access (MPA) device. The MPA proposed a priority encoder scheme which was expected to greatly enhance the throughput capability over the circular scanner method. However, after examining the detailed timing of the system, it was concluded that PDP-11 access to DECsystem-10 memory, via the MPA, was not faster than the DMA10. Another drawback of the MPA was the functional partitioning. Since PDP-11 channel logic was quite complex, additional PDP-11 units would significantly increase the total cost of a system. These drawbacks of the MPA led to a new concept, the shared memory system, for a faster transfer of data between processors.

### 2.4 MSM

The MSM provides common memory for the DECsystem-10 processor and PDP-11, and interprocessor communication control. It can link eight PDP-11's to a DECsystem-10 as does the DMA10. Its main advantages over the DMA10 are as follows: shared semiconductor memory for faster PDP-11 access, 22-bit addressability for up to four million word addressing, up to 124K of "window" space for the PDP-11, more flexible DECsystem-10 processor configurations, and remote PDP-11 operations of up to 150 ft with electrical isolation. Figure 3 illustrates the transfer time capability of the MSM. The MSM easily allows for two simultaneous simulations to be made using the MIL-STD-1553 Multiplex Data Bus without transfer time restrictions. Block diagrams in Figures 4-6 show the MSM and the break down of its major subsystems.

### 3.0 MSM Development (Contractual)

An effort to replace the DMA10 was directed by the AAAF branch with support from Simulation Technology, Inc. (SIMUTECH) under a Time & Materials (T&M) contract. The "Specification for the DEC-10 Memory Window Control System (MPA)" prepared Sep 78 established the performance, design, development, and testing requirements of the new MPA device. In May 79, an MPA Version 2 (MSM) concept was presented, giving a much improved design over the original MPA. Within the following month, a "Specification for the DEC-10 Multiprocessor Shared Memory (MSM)" rough draft was initiated along with the start of the detailed subsystem design.

The MSM design requirements were based on inputs from both AVSAIL and the Integration Facility for Avionics System Testing (IFAST) located at Edwards AFB. The MSM was designed to interface with any PDP-11

$T_{DATI}$  = TRANSFER TIME FROM PDP-11 TO MSM (PDP-11 READ)  
 (EXCLUDES ANY UNIBUS CABLE DELAYS & LATENCY)

5  $N$  = # INACTIVE PORTS (0-11)

$M$  = # ACTIVE PORTS (1-12)

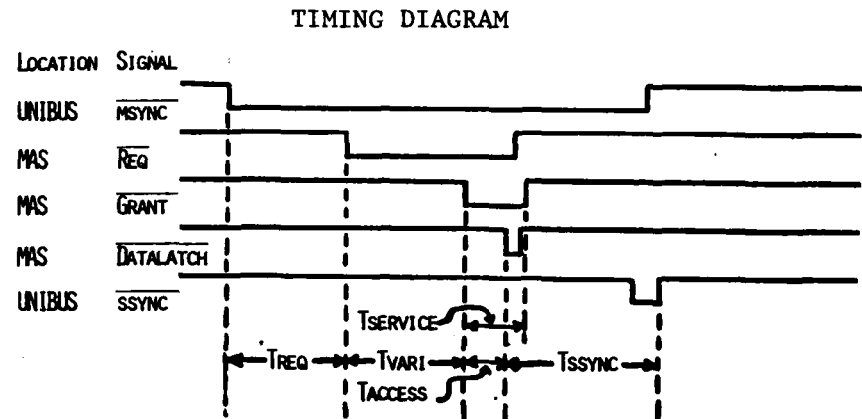
SCAN TIME = 50ns

$T_{REQ}$  = 520ns - TIME FOR PDP-11 TO  
 REQ. SERVICE

$T_{ACCESS}$  = 180ns - MEMORY ACCESS TIME

$T_{SERVICE}$  = 240ns - PORT SERVICE TIME

$T_{SSYNC}$  = 700ns - TIME TO RETURN SLAVE  
 SYNC



$$T_{VARI} = N(\text{SCAN TIME}) + M(T_{SERVICE})$$

$$T_{DATI} = T_{REQ} + T_{VARI} + T_{ACCESS} + T_{SSYNC}$$

1. BEST CASE (1 PDP-11)  $N=11, M=1$

$$T_{VARI} = 11(50) + 1(240) = 240\text{ns}$$

$$T_{DATI} = 520 + 240 + 180 + 700$$

$$= 1.6 \mu\text{SEC}$$

2. WORST CASE (8 PDP-11s & 4 DEC-10 ports)  $N=0, M=12$

$$T_{VARI} = 0(50) + 12(240) = 2.88 \mu\text{s}$$

$$T_{DATI} = 520 + 2880 + 180 + 700$$

$$= 4.3 \mu\text{SEC}$$

3. F-16 IAS + DMAX (3 PDP-11s & 1 DEC-10 port)

$$T_{VARI} = 8(50) + 4(240) = 1.36 \mu\text{s} \quad N=8, M=4$$

$$T_{DATI} = 520 + 1360 + 180 + 700$$

$$= 2.8 \mu\text{s} \quad \rightarrow \text{THIS DOES MEET}$$

$$\text{RT TO RT TRANSFER}$$

$$\text{REQUIREMENTS.}$$

FIGURE 3. MSM TRANSFER TIMING ILLUSTRATION

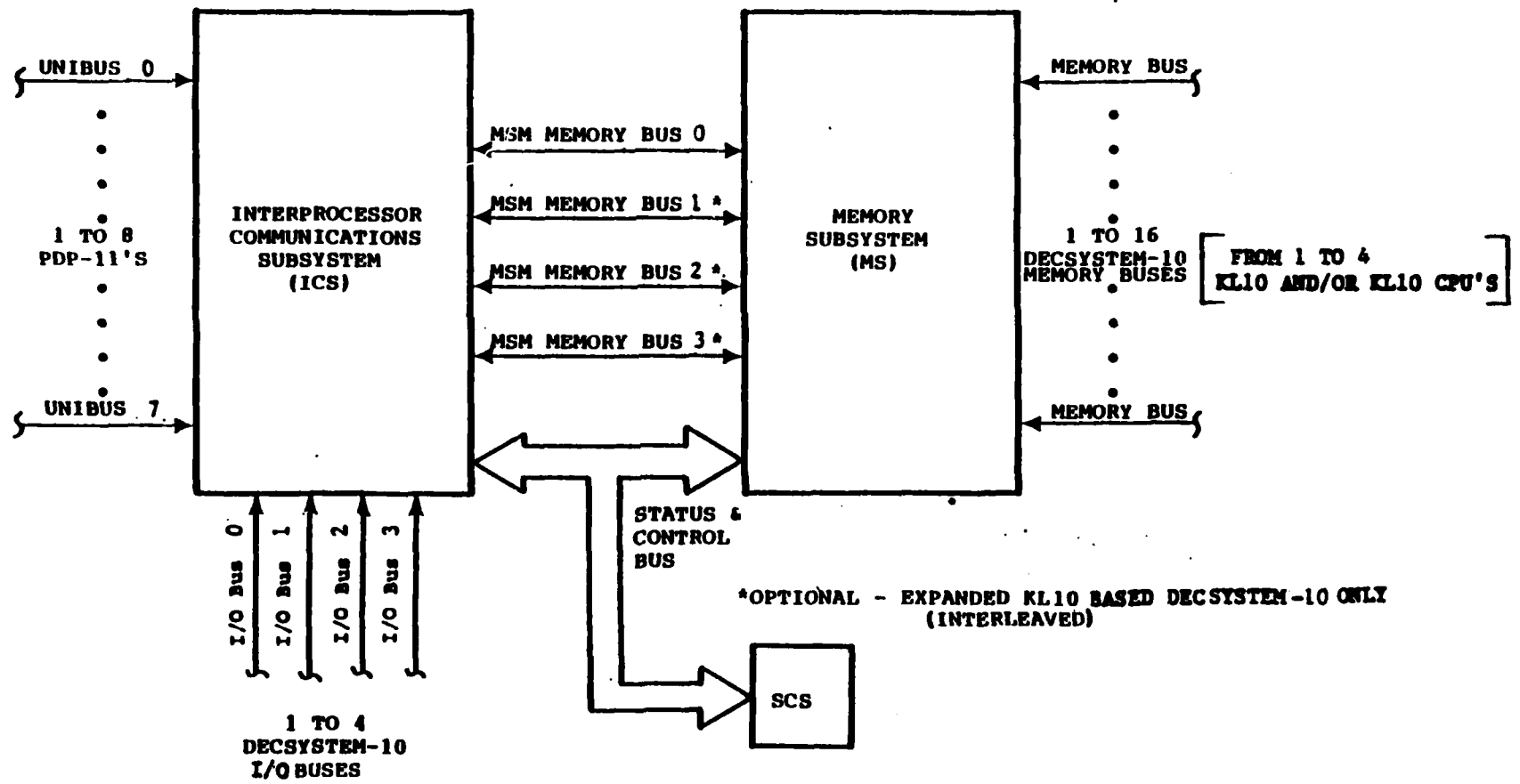


Figure 4. Multiprocessor Shared Memory (MSM) Block Diagram

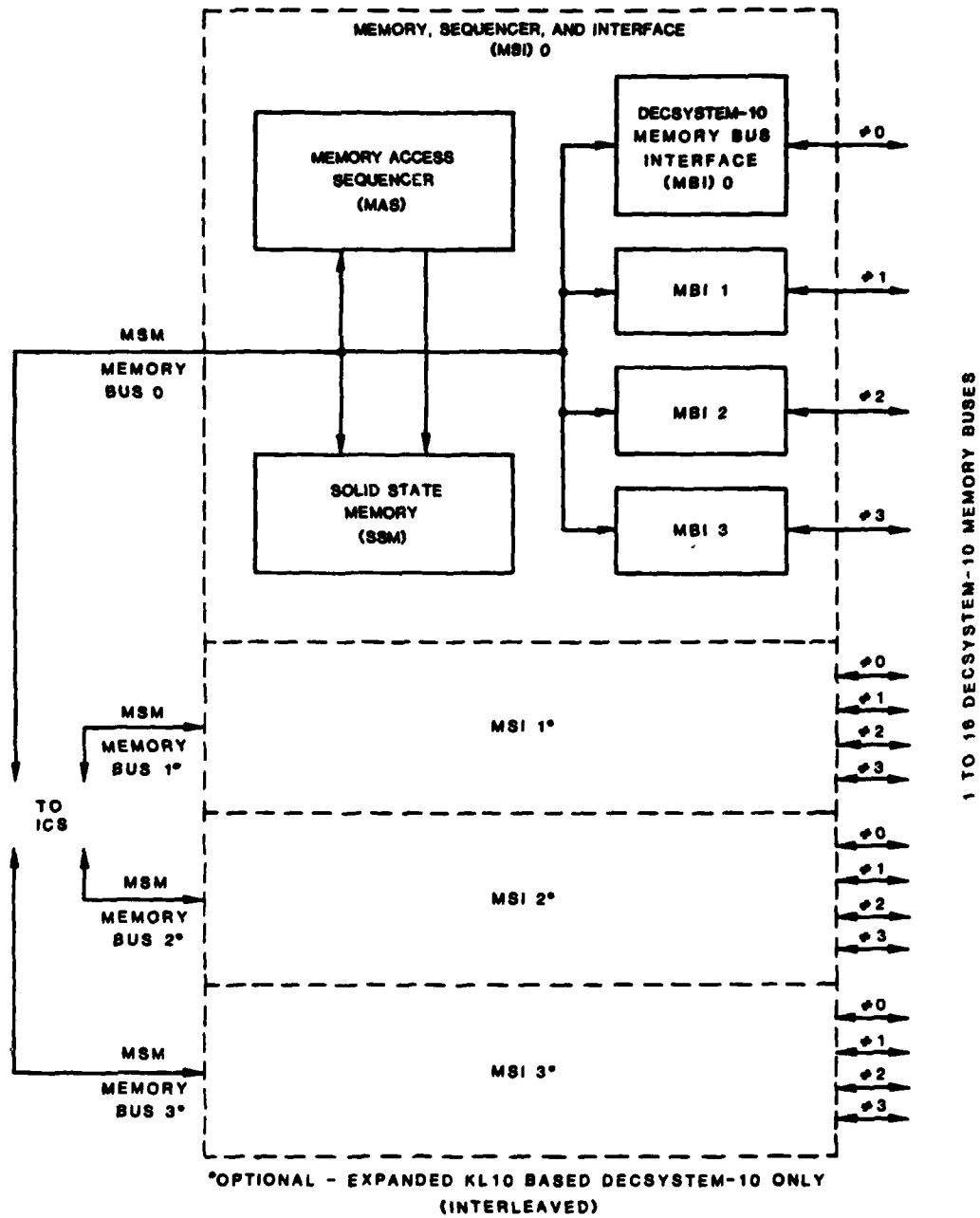


Figure 5. Memory Subsystem (MS) Block Diagram



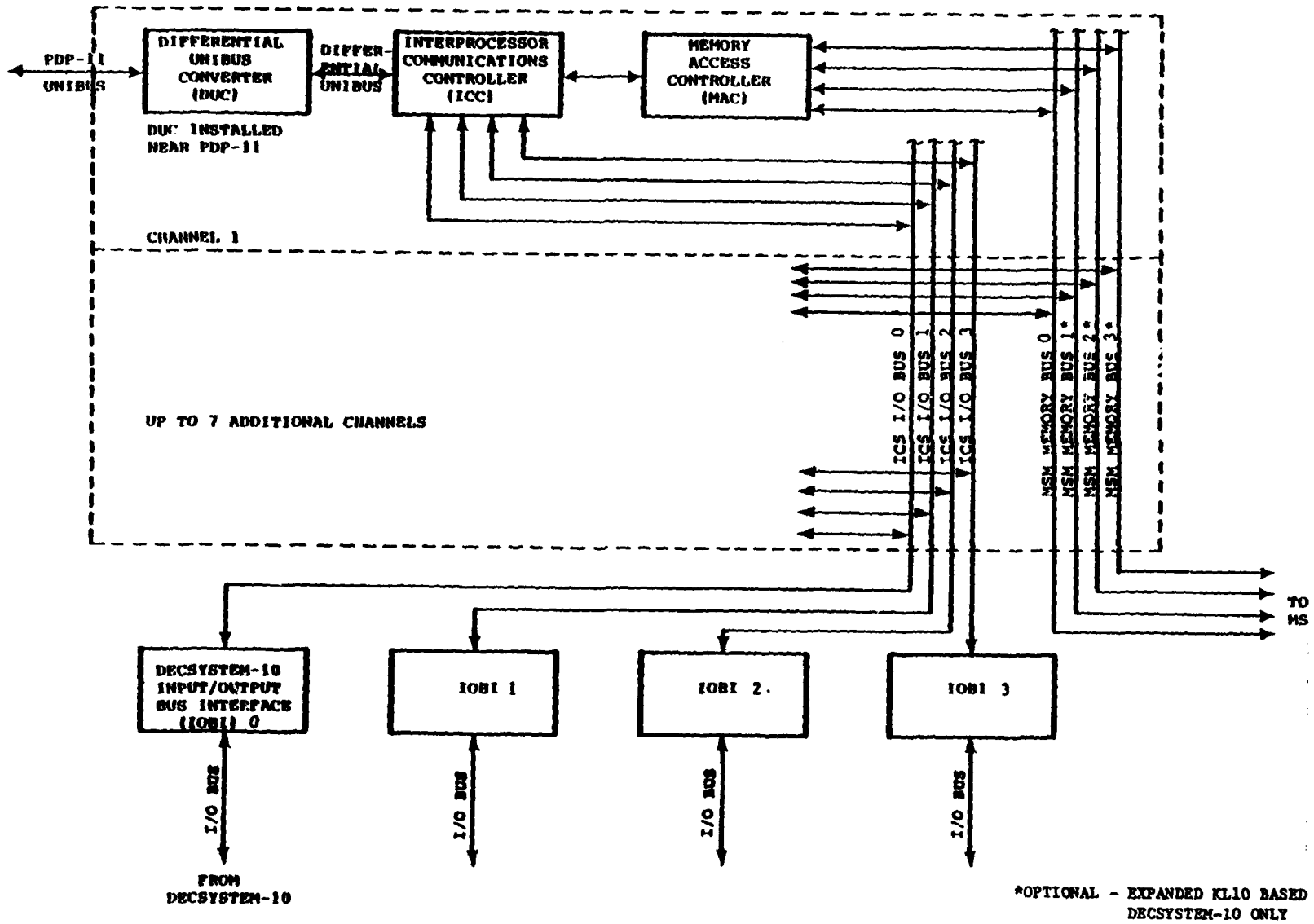


Figure 6. Interprocessor Communications Subsystem (ICS) Block Diagram

minicomputer (UNIBUS device) and the KI10 or KL10 based DECsystem-10 mainframe computer. Other design requirements which were determined for the MSM are included in Section 6.0.

In Aug 79, a prototype was planned for fabrication and testing. Its purpose was to verify the functional concept of the MSM using one KI10 processor and one PDP-11 minicomputer. It was to be delivered by SIMUTECH complete with documentation by the end of Jun 80. In Feb 80, an MSM critical design review was held for AVSAIL and IFAST personnel. This presentation gave an overview of the MSM design and its advantages over the DMA10 system currently in use. A slip in schedule later resulted in only a two week period for system debug, once the MSM was brought to AVSAIL and connected to the DECsystem-10. At the close of the contract (30 Jun 80), SIMUTECH delivered the prototype with only 30% of the hardware debugged and 50% of the software diagnostics written. The contract was not renewed with SIMUTECH and therefore an in-house work unit was initiated to continue the development.

#### 4.0 MSM Development (In-House)

The initial approach of this work unit (Jul 80) consisted of the following: completing the MSM feasibility prototype and verifying the functional concept, integrating the MSM prototype into AVSAIL by providing a ninth PDP-11 channel for the DECsystem-10, and contracting out for two production units for AVSAIL and IFAST. The MSM production unit for AVSAIL was to replace or coincide with the DMA10.

Hardware debug began in Sep 80, concentrating initially on the PDP-11 side of the MSM. Once PDP-11 diagnostics ran successfully on the prototype, debug began on the DECsystem-10 side. By Dec 80, both the PDP-11 and KI10 processors were able to separately access MSM memory. The next three months involved software diagnostics development and checkout, and continued hardware debug with subsystem modifications. A prototype demonstration was given to the AAAF in Mar 81 to verify the functional concept of the MSM. This marked completion of the MSM software diagnostics.

Due to changes in computer requirements for IFAST, the requirement for MSM production units was dropped. IFAST chose the VAX 11/780, instead of the DECsystem-10, for real-time processing. AVSAIL continued development of the prototype and planned to expand it from one to two channels to support a general purpose cockpit development.

To further verify the functional concept and to demonstrate its real-time capability, plans were made to run the F-16 IAS simulation program using the MSM. The MSM was to replace the DMA10 channel used to link the models running on the DECsystem-10 with the controls and displays of the PDP-11. Modifications to the original F-16 IAS software were required including the F-16 Executive and the PDP-11 Controls & Monitoring software. The TOPS-10 monitor and SIMSUB (Simulation Subroutine) on the DECsystem-10 also required modification.

During checkout of the modified F-16 IAS software in Jul 81, a problem occurred with the DELCO 362F Fire Control Computer, the prime controller in the simulation. The FCC acquired parity errors during the software loading of the Operational Flight Program (OFP). The problem was in the hardware and the unit had to be shipped to DELCO for repairs. This caused a five month slip in the testing schedule. By Jan 82, the computer was repaired and software testing was resumed.

Two F-16 Executive versions were written for the MSM. The first version considers the MSM to be the sole channel in the simulation. Real-time data can be monitored by a VT-11 terminal connected to the PDP-11. The second version requires use of both the MSM channel and a DMA10 channel. The DMA10 channel, as in the original F-16 IAS demonstration, is used for the "out-the-window" graphics display. The second version of the F-16 Executive was designated for the demonstrations of MSM. These software mods were completed in Apr 82.

During the software testing, further hardware bugs had surfaced which had not been detected earlier. Modifications to the Memory Access Sequence (MAS) and the DEC-10 Memory Bus Interface (MBI) subsystems were necessary to correct problems with the read-modify-write circuitry. In May 82, the FCC developed hardware problems again which postponed a demonstration for the System Avionics Division (AAA). This initiated a software mod that bypassed the FCC in the simulation. A demo of the F-16 IAS simulation, using MSM without the FCC, was given to AAA in Jul 82. This marked conclusion of the hardware debug of the MSM prototype.

The following month, AAA cancelled the proposed Dual Channel MSM. This prototype enhancement was to provide an additional PDP-11 channel and a second DEC-10 memory bus interface. The decision to stop further MSM development was based on the purchase of new and more powerful computers to handle the real-time simulations of AVSAIL. These new Harris computers as of Oct 82 are to take over the real-time loads of the DECsystem-10 in late FY83.

## 5.0 Description Summary

The MSM is a shared memory and interprocessor communications and control device. It is exclusively designed as an interface between the DECsystem-10 and up to eight UNIBUS devices, such as the family of PDP-11's. It can configure up to four KI10 or KL10 processors of the DECsystem-10. The MSM sequentially scans twelve ports without regard to port priority. It provides read data to any port within 200 ns of request recognition. The MSM contains control and status registers for each PDP-11 and DECsystem-10 processor. With these registers, up to four DECsystem-10 processors can configure any PDP-11 and its access to memory. The MSM provides interrupt capability for both the DECsystem-10 processors and the PDP-11 minicomputers. The MSM can configure for four-way interleaving by expanding its memory into four sections for use by a maximum of four KL10 processors.

## 6.0 Design Features

Listed below are the features incorporated in the MSM design:

- 18-bit addressability on the PDP-11 UNIBUS
- 22-bit addressability on the DECsystem-10 Memory Bus
- Functional, electrical, and physical compatibility with the DECsystem-10 Memory Bus, DECsystem-10 I/O Bus, and UNIBUS
- Up to eight UNIBUS interfaces
- Up to four DECsystem-10 I/O Bus interfaces
- Up to sixteen DECsystem-10 Memory Bus interfaces for four-way interleaving (4 MSI configuration)
- Up to 128K of DEC-10 words of internal semiconductor memory which is expandable in 16K block increments
- Software-selectable mapping of PDP-11 address space in DEC-10 pages (512 words) by the DEC-10 processor
- Software-selectable write protect and sign extend on DEC-10 pages by the DEC-10 processor
- Software-selectable mapping of 1-1 or 2-1 PDP-11 words per DEC-10 word by the DEC-10 processor
- Bidirectional and programmable interrupts
- Software-selection of interrupt levels by the DEC-10 processor for PDP-11 interrupts to the DEC-10
- Software-selection of 7-bit interrupt vector address and BR level by the DEC-10 for DEC-10 interrupts to the PDP-11
- Two software addressable 16-bit registers for communications between the DEC-10 and each PDP-11
- Remote operation of PDP-11's of up to 150 ft with electrical isolation
- PDP-11 memory access to MSM without DEC-10 CPU control for PDP-11 stand-alone testing

## 7.0 MSM Prototype

### 7.1 Description

The single channel MSM (prototype) for AVSAIL is a two port, single Memory, Sequencer, and Interface (MSI) module unit. It represents the minimum configuration for MSM. The prototype has one UNIBUS interface, one DECsystem-10 Memory Bus interface, and one DECsystem-10 I/O Bus interface. It contains 16K of DECsystem-10 memory and an operational front panel. The MSM resides in a single upright cabinet rack on casters with one card cage housing eight wire-wrap cards. Two other wire-wrap cards are present within the system. One is mounted behind the front panel and the other resides in the PDP-11 cabinet on the UNIBUS. A 150 ft cable connects the PDP-11 to the MSM cabinet. A front view drawing of the MSM prototype is shown in Figure 7.

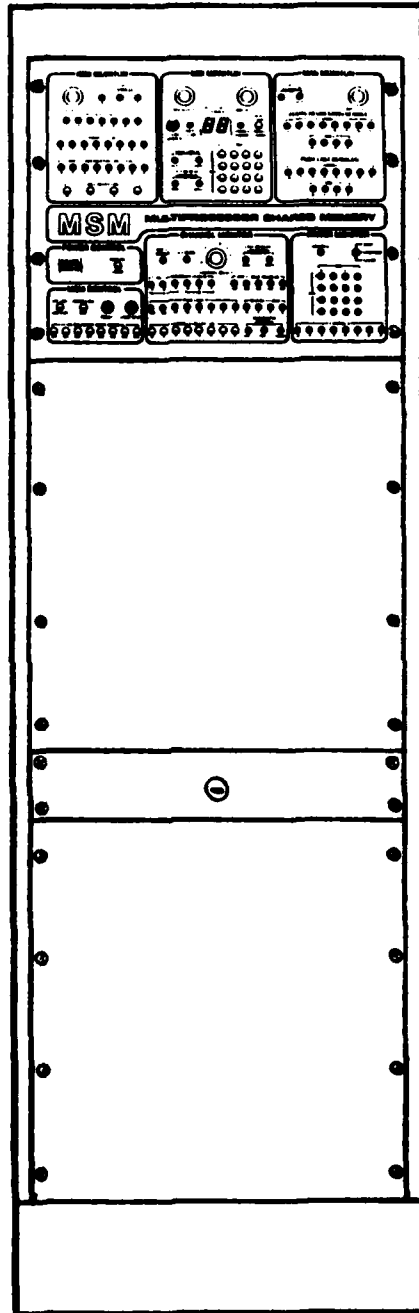


FIGURE 7. SINGLE CHANNEL MSM (PROTOTYPE)

## 7.2 Specifications

### General:

MSM Configuration:	Single MSI
No. of Channels:	1
No. of Ports:	2
Scanner Clock rate:	20 MHZ

### Memory:

Size:	16 K words
Word length:	36 bits + 4 parity bits
Type:	HMOS RAM (35 ns access)
Memory Cycles:	KI10: Read, write, read-modify-write PDP-11/40: Read, write
Read Access time*:	KI10: 850 ns PDP-11/40: 2.2 us (current) 1.6 us (with SSYNC mod)

### Mechanical & Environmental:

Cabinet Size (HxWxD):	69 7/8" x 22" x 25"
Weight:	Less than 500 lbs
Input Power:	115 VAC 60 Hz single phase
Power supplies:	+5 VDC ±10% @ 75A, 30°C -5 VDC ±10% @ 10A, 30°C
Operating current:	8 - 8 ½ Amps
Operating temperature:	10°C to 50°C
Relative humidity:	20% to 95%, non-condensing

\*time is figured for best case with immediate service granted to port.

4-8  
DTI