



Solbourne Computer

**Series 700
Illustrated Parts Catalog**



Series 700
Illustrated Parts Catalog

Solbourne Computer, Inc.

Solbourne, Series4, Series5, Series5E, Series 700, S4000, Model 810, Model 820, Model 410, Virtual Desktop, Kbus, OS/MP, Object Interface Library (OI), and the Solbourne logo are all trademarks of Solbourne Computer, Inc.
VMEbus is a trademark of the VMEbus Manufacturers Group.

Copyright © 1992 by Solbourne Computer, Inc. All rights reserved. No part of this publication may be reproduced, stored in any media or in any type of retrieval system, transmitted in any form (e.g., electronic, mechanical, photocopying, recording) or translated into any language or computer language without the prior written permission of Solbourne Computer, Inc., 1900 Pike Road, Longmont, Colorado 80501. There is no right to reverse engineer, decompile, or disassemble the information contained herein or in the accompanying software.

Solbourne Computer, Inc. reserves the right to revise this publication and to make changes from time to time without obligation to notify any person of such revisions.

Limited/Restricted Rights Legend

Use, duplication and disclosure by the Government is subject to restrictions as set forth in FAR 52.227-14, DFARS 252.227-7013, successor regulations, or comparable regulations of other Government agencies as appropriate, regarding "Limited Rights Data". If this is documentation for software, it is provided with "Restricted Rights" pursuant to FAR 52.227-19, and (for NASA) as supplemented in NASA FAR 18.52.227-86., pursuant to subparagraph (c)(1)(ii) of the Rights in Technical Data and Computer Software clause of DFARS 252.227-7013, or comparable regulations of other Government agencies as appropriate. Solbourne Computer, Inc., 1900 Pike Road, Longmont, CO 80501. This legend shall be included on any reproduction hereof, in whole or part.

Part Number: 106001
Revision: AA

June 1992

Table of Contents

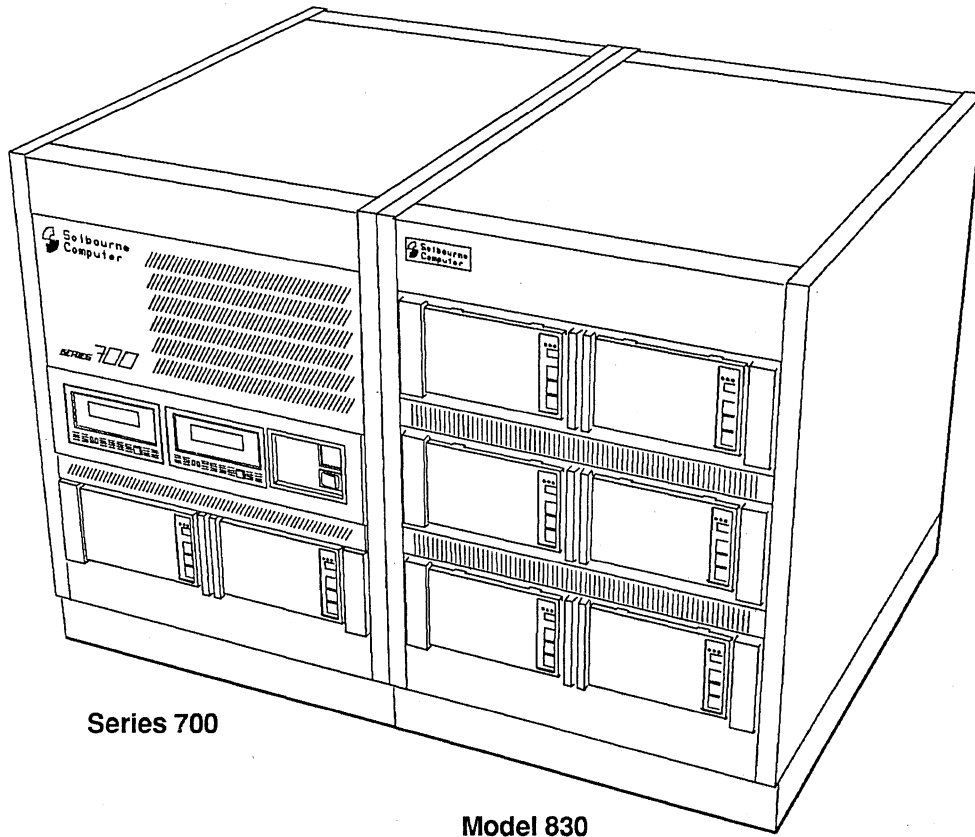
SECTION 1	Introduction	1
	1.1	Introduction 1
	1.2	How to Use this Manual 2
	1.2.1	Figure and Index Column 2
	1.2.2	Item Description Column 3
	1.2.3	Part Number Column 4
	1.2.4	Usable on Code 4
	1.2.5	Quantity Per Assembly 4
SECTION 2	Series 700 Cabinet Assembly	5
	Figure 1	Shipping Assembly and Accessory Kit 6
	Figure 2	Cosmetic Cover Assembly 8
	Figure 3	Mechanical Assembly 10
	Figure 4	Label Assembly 12
	Figure 5	Chassis Assembly 14
	Figure 6	Disk Tray Assembly 22
	Figure 7	Fan Door Assembly 24
SECTION 3	Series 700 Optional Assemblies	27
	Figure 8	IPI Disk Option 28
	Figure 9	Four Bay SCSI Device Options 30
	Figure 10	Tri-Density Half-Inch Tape Drive Option 34
	Figure 11	Optional Printed Circuit Boards and Peripherals 36
SECTION 4	Numeric Index	39
SECTION 5	Alphabetic Index	43

Section 1: Introduction

1.1 Introduction

Section 1 contains example figures and index lists to explain how to read and understand an illustrated parts catalog. Sections 2 and 3 offer the parts breakdown for the Series 700. Sections 4 and 5 supply numeric and alphabetic lists of the parts listed in this catalog.

An example of a Solbourne Series 700 configured with a Model 830 is shown below. (For the Model 830 Illustrated Parts Catalog refer to Part Number 104948.)



9828A

1.2 How to Use this Manual

The figures and index tables follow a logical sequence of system breakdown. Figures are usually composed of parts within an assembly established on the engineering bill of material (BOM). Occasionally figures are created for clarity from related parts which are not an assembly. The term "Group" will appear in the figure title. These do not exist on the BOM as an assembly and cannot be ordered as an assembly. However, items within those lists are treated according to their correct level of assembly. (See Section 1.2.2 Item Description Column.) The following sections explain how to read the columns in the index tables.

1.2.1 Figure and Index Column

The first entry in the Figure and Index Number column is the Figure number (Arrow A). The following index numbers (Arrow B) key the information in the list to the part in the figure (Arrow C). If "Assy" appears in this column, the item described is an assembly and will not be keyed as a single item in the figure but will be keyed as those components which make up the assembly.

EXAMPLE

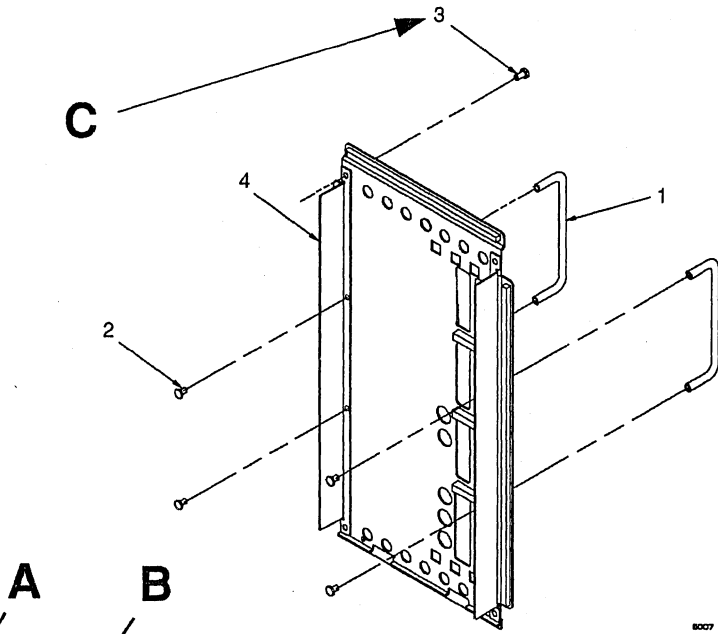


Figure 2. Kbus Cover Assembly

FIGURE & INDEX NUMBER	DESCRIPTION				PART NUMBER	USABLE ON CODE	QTY PER ASM
	1	2	3	4			
Fig 2	• Kbus Cover Assembly (See Figure 1, Item 8 for NHA)				101283		1
1	• • Handle, VME & Kbus Covers, Metal				101340		2
2	• • Screw, CPMT, 4x6, Zn-Cc				102078		4
3	• • Screw, CBMT, 4x6, Zn-Cc				102155		4
4	• • Cover Assembly, Kbus, Metal				102330		1

1.2.2 Item Description Column

This column gives the Solbourne manufacturing description of each assembly or part. The description is listed in military specification style with the most important noun first and adjectives following. If an assembly is detailed elsewhere in this catalog, the figure is referenced in the description column (Arrow D). Detailed figures refer back to the next higher view or next higher assembly (NHA) (Arrow E). If a part is obsolete and only carried as a spare, "OBSO" will appear at the end of the description.

The indented parts list indicates the subordination of major assemblies, subassemblies and parts according to the BOM structure. The top level assembly (TLA) throughout the catalog is level 1. Descriptions preceded by a single dot are subordinate to the top assembly number. Descriptions preceded by two dots are subordinate to the single dot item it follows and so on.

EXAMPLE

FIGURE & INDEX NUMBER	DESCRIPTION	PART NUMBER	USABLE ON CODE	QTY PER ASM
Fig 5	• Cosmetic Kit Assembly (See Figure 1, Item 7 for NHA)	101618		1
Assy	• • Left Side Assembly	102318		1
1	• • • Screw, CPM, 4x14	102079		2
2	• • • Dowel, Plastic, Fabricated	101499		2
3	• • • Side Assembly, Left, Fabricated	101351		1
Assy	• • Right Side Assembly	102319		1
4	• • Screw, CPM, 4x14	102079		2
5	• • • Dowel, Plastic, Fabricated	101499		2
6	• • • Side Assembly, Right, Fabricated	101352		1
7	• • Cable Panel Assembly	102322		1
Assy	• • Rear Cover Assembly	102323		1
8	• • • Screw, CPMT, 4x6, Zn-Cc	102078		6
9	• • • Cover Assembly, Rear, Metal	102324		1
Assy	• • Lid Assembly	102325		1
10	• • • Screw, CPMT, 4x6, Zn-Cc	102078		6
11	• • • Lid Assembly, Metal, Fabricated	101353		1
12	• • Inside Covers Group (See Figure 9 for breakdown)	No Number		1

E

D

1.2.3 Part Number Column

This column lists Solbourne part numbers. A part may be unlisted because it is part of a set, part of an assembly that is purchased in-house as a unit, or part of a welded assembly. If you need an unlisted part, you must order the assembly that contains it.

1.2.4 Usable on Code

More than one version of a product or assembly can exist. The Usable on Code shows this by code entries a, b, c, etc. (Arrow F) at the top of the index table. Parts that are associated with a particular version are then shown with the proper code in this column (Arrow G). If there is no code for a specific part, that part is interchangeable with or common to all versions.

EXAMPLE

FIGURE & INDEX NUMBER	DESCRIPTION 1 2 3 4	PART NUMBER	USABLE ON CODE	QTY PER ASM
Fig 7	<ul style="list-style-type: none"> • CIT KDS Assembly, 1 CPU/Fujitsu • CIT KDS Assembly, 1 CPU/Cypress 	101533	a	1
		102996	b	1
1	<ul style="list-style-type: none"> • • PCB Assembly, CPU, Fujitsu, Series 4 • • PCB Assembly, CPU, Cypress, Series 5 	101546	a	AR
		102247	b	AR
2	<ul style="list-style-type: none"> • • PCB Assembly, I/O Graphics, Upgraded 	102777		1
3	<ul style="list-style-type: none"> • • PCB Assembly, Memory, 16 MByte 	101548		AR
4	<ul style="list-style-type: none"> • • PCB Assembly, Memory, 32 MByte 	102621		AR
5	<ul style="list-style-type: none"> • • CIT KDS Chassis Assembly (See Figure 10 for breakdown) 	101910		1

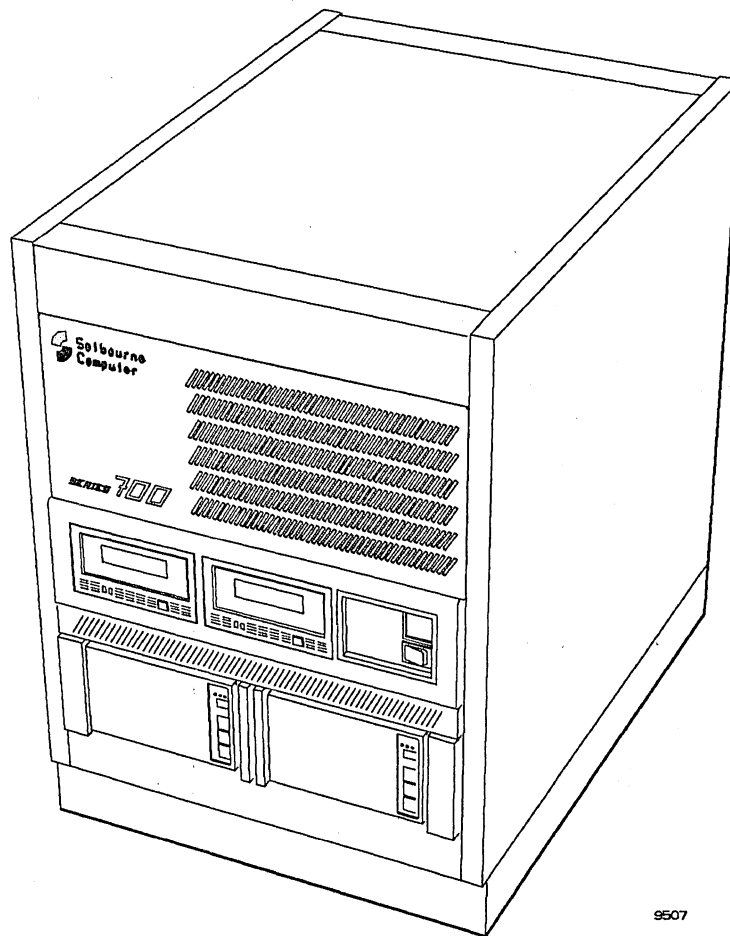
1.2.5 QTY PER ASM Column (Quantity Per Assembly)

This column lists the quantity of parts per assembly. These quantities are based on a manufactured unit as it leaves the factory. AR indicates "as required". Ref indicates the item is shown for reference.

Section 2: Series 700 Cabinet Assembly

This section offers illustrations of the components that make up the Series 700. All the parts illustrated in this section are not necessarily field replaceable units (FRUs).

One example of a Series 700 configuration is shown below.



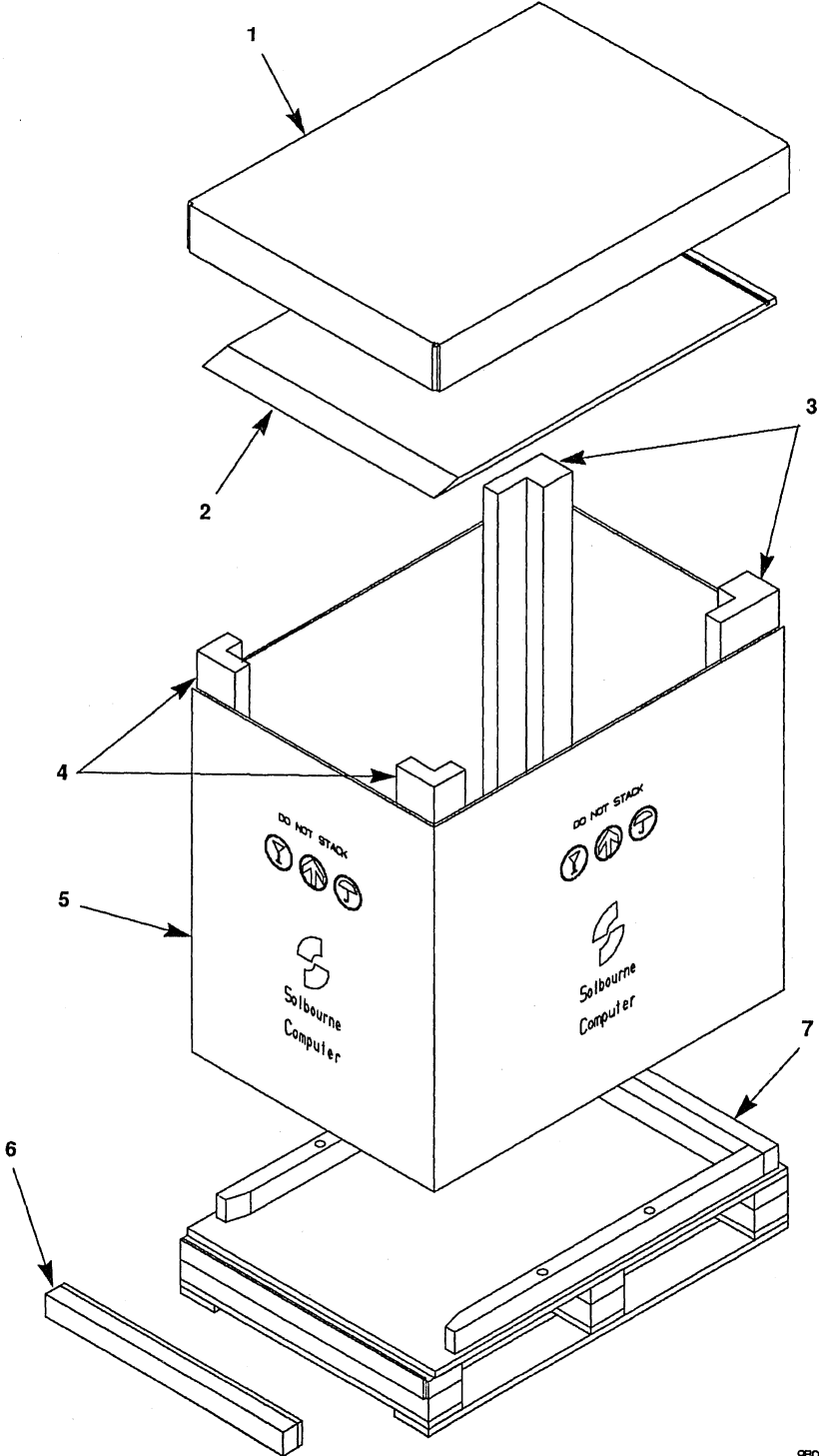
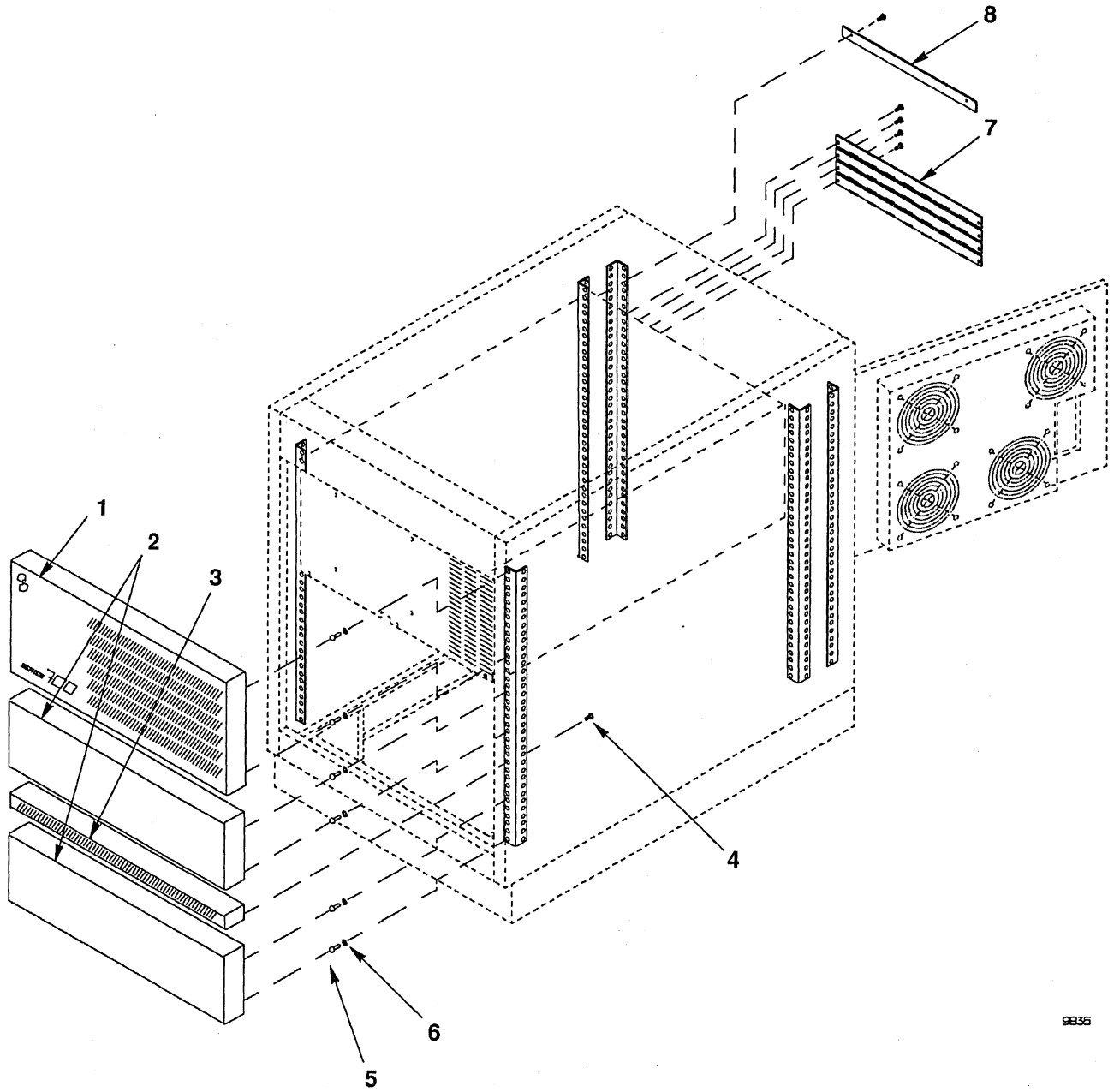


FIGURE 1. Shipping Assembly and Accessory Kit

9806

FIGURE & INDEX NUMBER	DESCRIPTION				PART NUMBER	USABLE ON CODE	QTY PER ASM
	1	2	3	4			
Fig 1	Shipping Assembly and Accessory Kit, Series 700						
Assy	• Shipping Assembly				104747		1
1	• • Top, Shipping Carton				104879		1
2	• • Ramp, Shipping				104881		1
3	• • Cushion, Rear, Shipping				104877		2
4	• • Cushion, Front, Shipping				104876		2
5	• • Sleeve, Outer, Shipping Carton				104878		1
6	• • Spacer, Shipping Carton				104880		1
7	• • Pallet, Shipping Carton				104882		1



9835

FIGURE 2. Cosmetic Cover Assembly

FIGURE & INDEX NUMBER	DESCRIPTION				PART NUMBER	USABLE ON CODE	QTY PER ASM
	1	2	3	4			
Fig 2	Cover Assembly, Cosmetic, Series 700				105129		1
1	• Panel, Front, External, Series 700				105122		1
2	• Blank, 3U x 482mm, Rack, Series 900				103899		2
3	• Blank, Vented, Series 700				103896		1
4	• Screw, 10-32 x 3/8", Clear				103487		2
5	• Ball Stud, #10-32				104209		12
6	• Washer, M5, Ext Tooth Lock, Type A, Zn-Cc				104210		12
7	• Cover, 11-slot, Kbus Cage, Series 900				103802		4
8	• Filler Panel, 6U, 4HP VME				105211		1

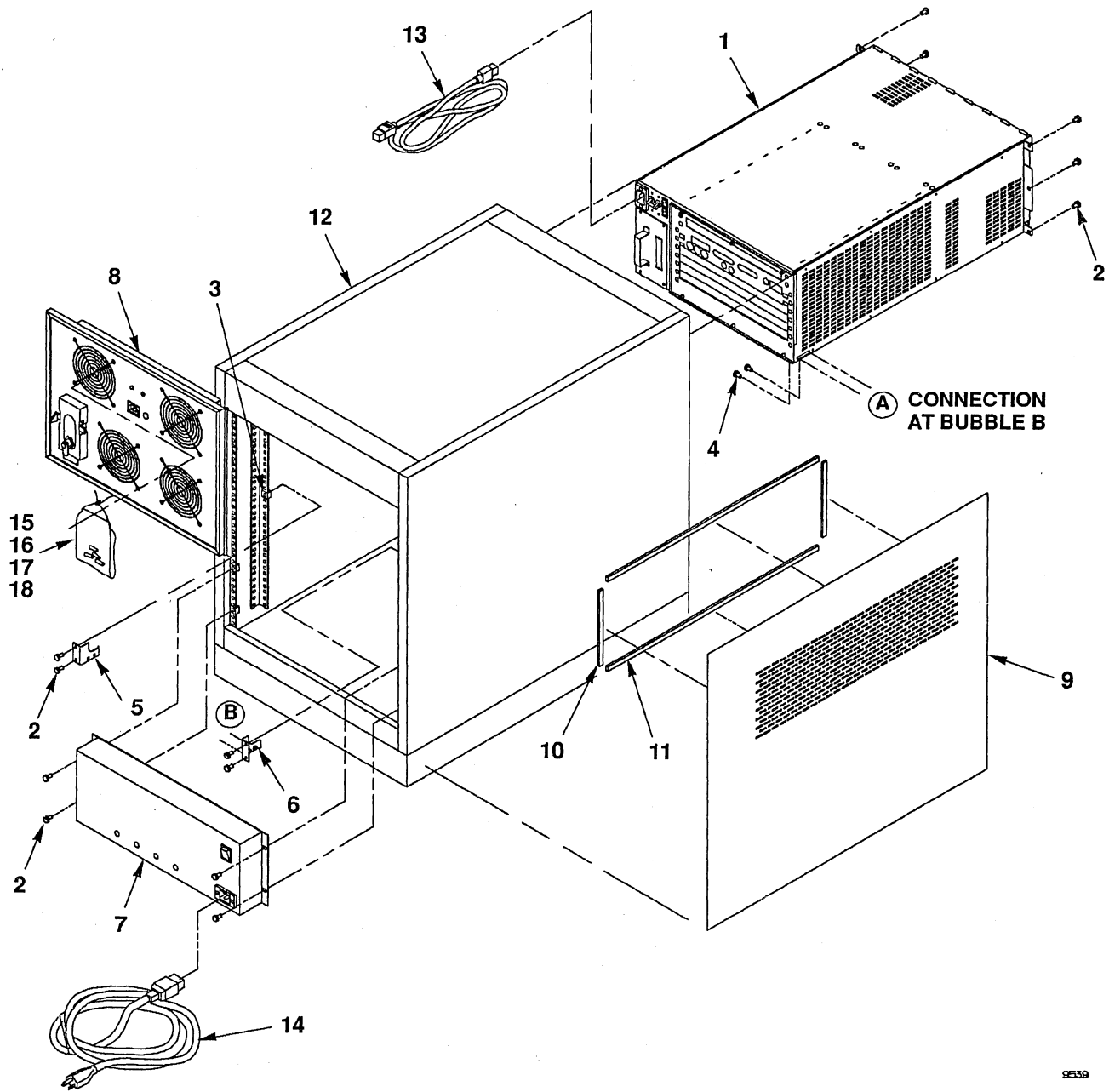


FIGURE 3. Mechanical Assembly, Series 700 (Rear View)

FIGURE & INDEX NUMBER	DESCRIPTION	PART NUMBER	USABLE ON CODE	QTY PER ASM
Fig. 3	Mechanical Assembly, Series 700	105151		1
1	• Chassis Assembly, Series 700 (See Figure 5 for breakdown)	105131		1
2	• Screw, CPMT, 10-32 x 3/8", Clear	103487		18
3	• Nut Retainer, #10-32 Thread	104733		18
4	• Screw, HSM, 10-32 x .375, Clear	105421		4
5	• Rail, Adapter, Metal, Chassis, Right	105139		1
6	• Rail, Adapter, Metal, Chassis, Left	105418		1
7	• Power Distribution Unit Assembly	105191		1
8	• Fan Door Assembly, 19" EIA, Cabinet (See Figure 7 for breakdown)	105451		1
9	• Side Panel, 19" EIA, Cabinet, Vented	105453		1
10	• Gasket, Plenum, Long, Left Side Cover, Series 700	105414		2
11	• Gasket, Plenum, Short, Left Side Cover, Series 700	105415		2
12	• Cabinet, 19" EIA, 30" x 30" x 22"	105417		1
Assy	• Accessory Kit, Series 700 (partial breakdown)	105469		1
13	• • Power Cord, 18/3 AWG, 3'3", Type SJT, 10 Amp	102479		2
14	• • Power Cord, 12/3 AWG, 2.5m, 20A, Type SJT, N5/20	105175		1
15	• • Fuse, 10 Amp, 250V, .25' x 1.25', Slo-Blo	103281		6
16	• • Fuse, 6.3 Amp, 5mm x 20mm, Slo-Blo	105250		6
17	• • Fuseholder, PC Mount, 5mm x 20mm, Knob	105251		4
18	• • Fuseholder, PC Mount, .25' x 1.25", Knob	105252		4

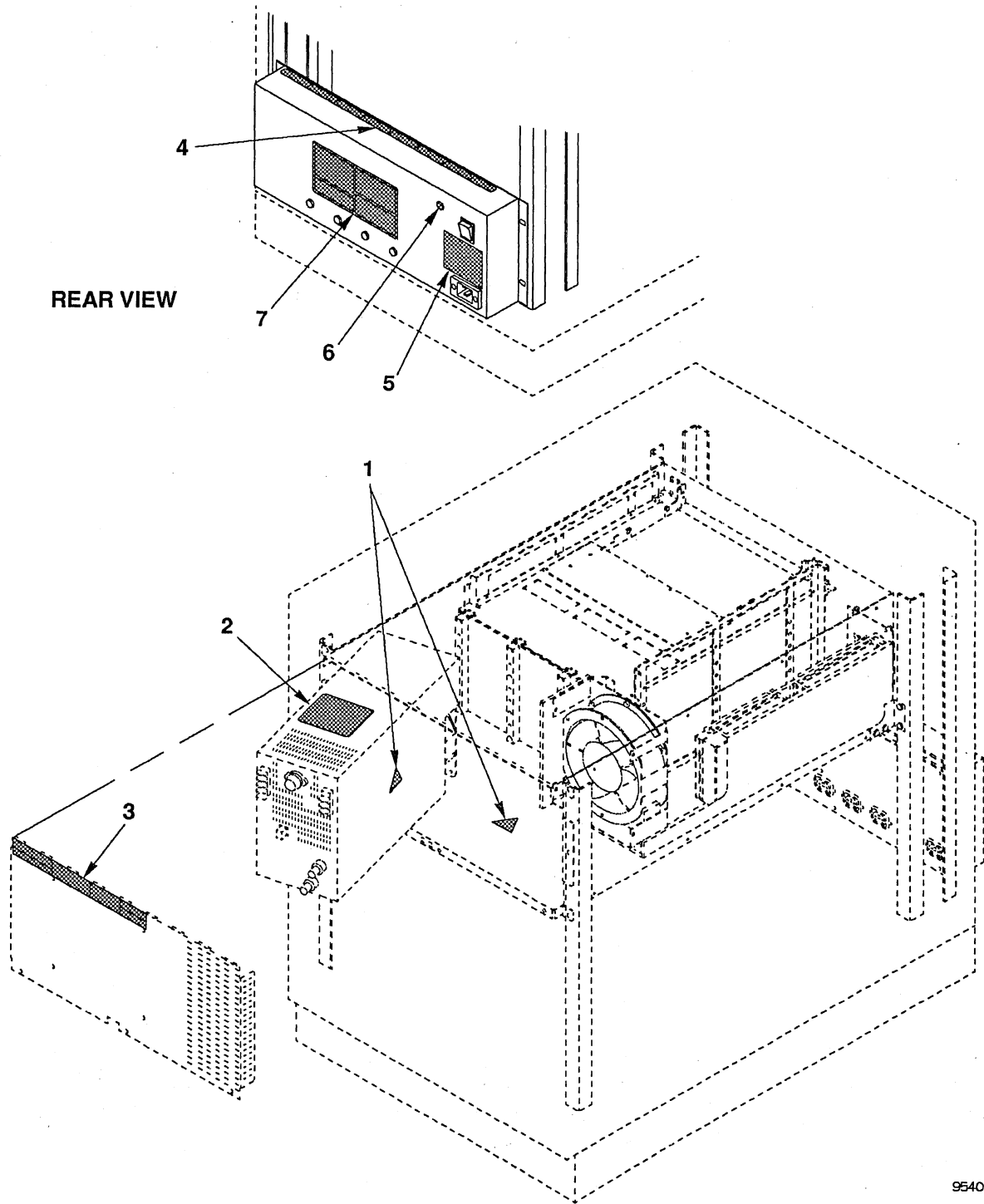
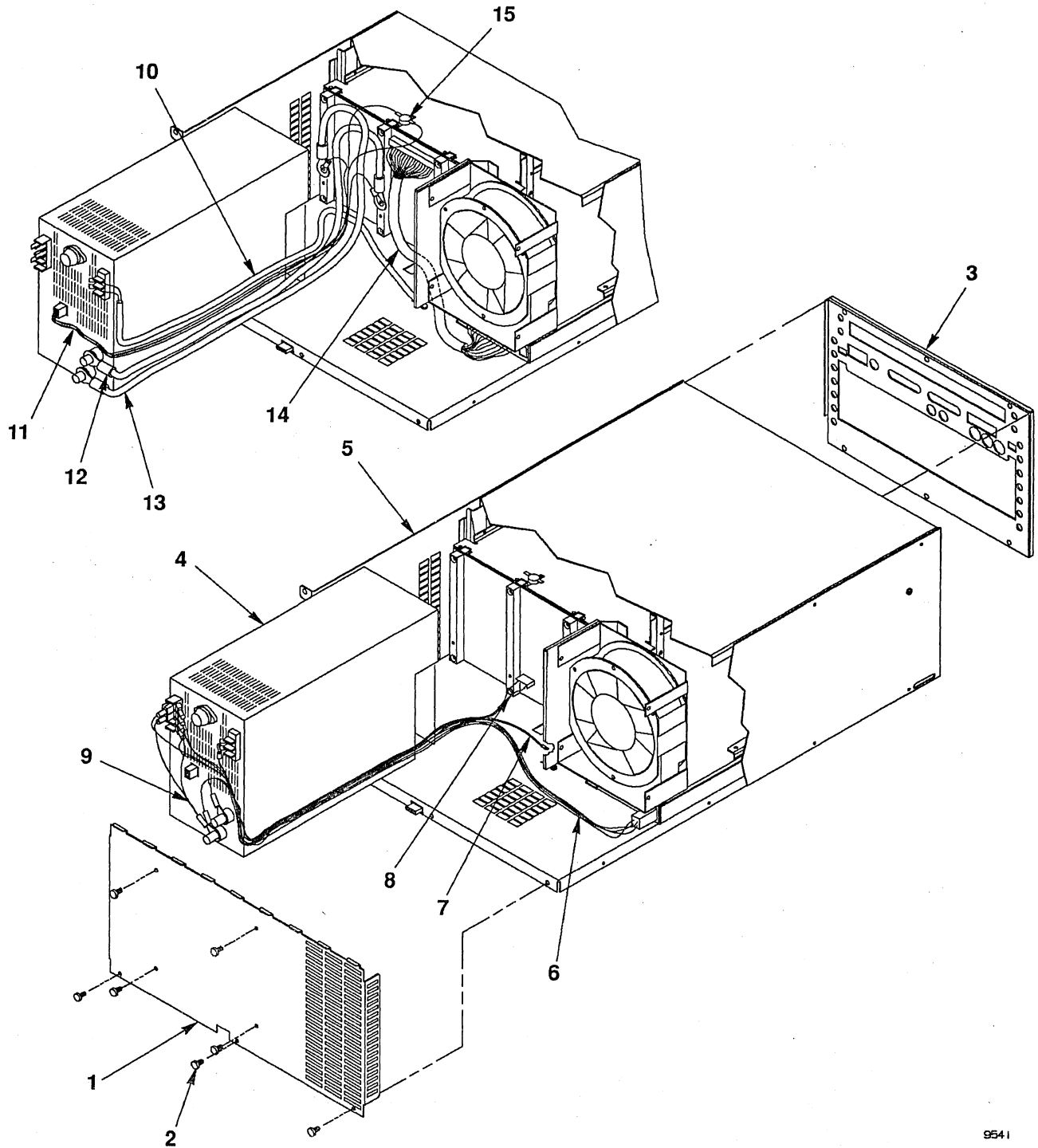


FIGURE 4. Label Assembly, Series 700

FIGURE & INDEX NUMBER	DESCRIPTION				PART NUMBER	USABLE ON CODE	QTY PER ASM
	1	2	3	4			
Fig. 4	Label Assembly, Series 700				105152		1
1	• Voltage Label, Dangerous				104367		2
2	• Warning Label, Power Supply, S4000				103117		1
3	• Ratings Label, Series 700 Chassis				105413		1
4	• Connector ID Label, PDU				105385		1
5	• Ratings Label, Series 700				105386		1
6	• Identification Label, Longmont				103488		1
7	• Warning Label, PDU				105389		1



9541

FIGURE 5. Chassis Assembly, Series 700 (1 of 4)

FIGURE & INDEX NUMBER	DESCRIPTION				PART NUMBER	USABLE ON CODE	QTY PER ASM
	1	2	3	4			
Fig. 5	Chassis Assembly, Series 700 (See Figure 3, Item 1 for NHA)				105131		1
1	• Panel, Front, Internal, Series 700				105125		1
2	• Screw, CPMT, 8-32 x 3/16", Clear				105163		7
3	• Cover, Card Cage, Series 700				105132		1
4	• Power Supply, Series 700				105128		1
5	• Weldment Assembly, Chassis, Series 700				105124		1
6	• Cable Assembly, Power, Disk and Fan				105216		1
7	• Cable Assembly, Ground, Power Supply				105218-01		1
8	• Cable Assembly, 12V, Kbus, Backplane				105344		1
9	• Cable Assembly, 12V Supply Ground				105225		1
10	• Cable Assembly, AC Inlet				105220		1
11	• Cable Assembly, 5V Sense				105217		1
12	• Cable Assembly, 5V Kbus, Chassis, Series 900				104137		1
13	• Cable Assembly, Long Kbus Gnd, Chassis, Series 900				104131		1
14	• Cable Assembly, SCSI, Data, Kbus, Round				105242		1
15	• Switch, Temp Sensor, 57C to 63C, N/C				105358		1

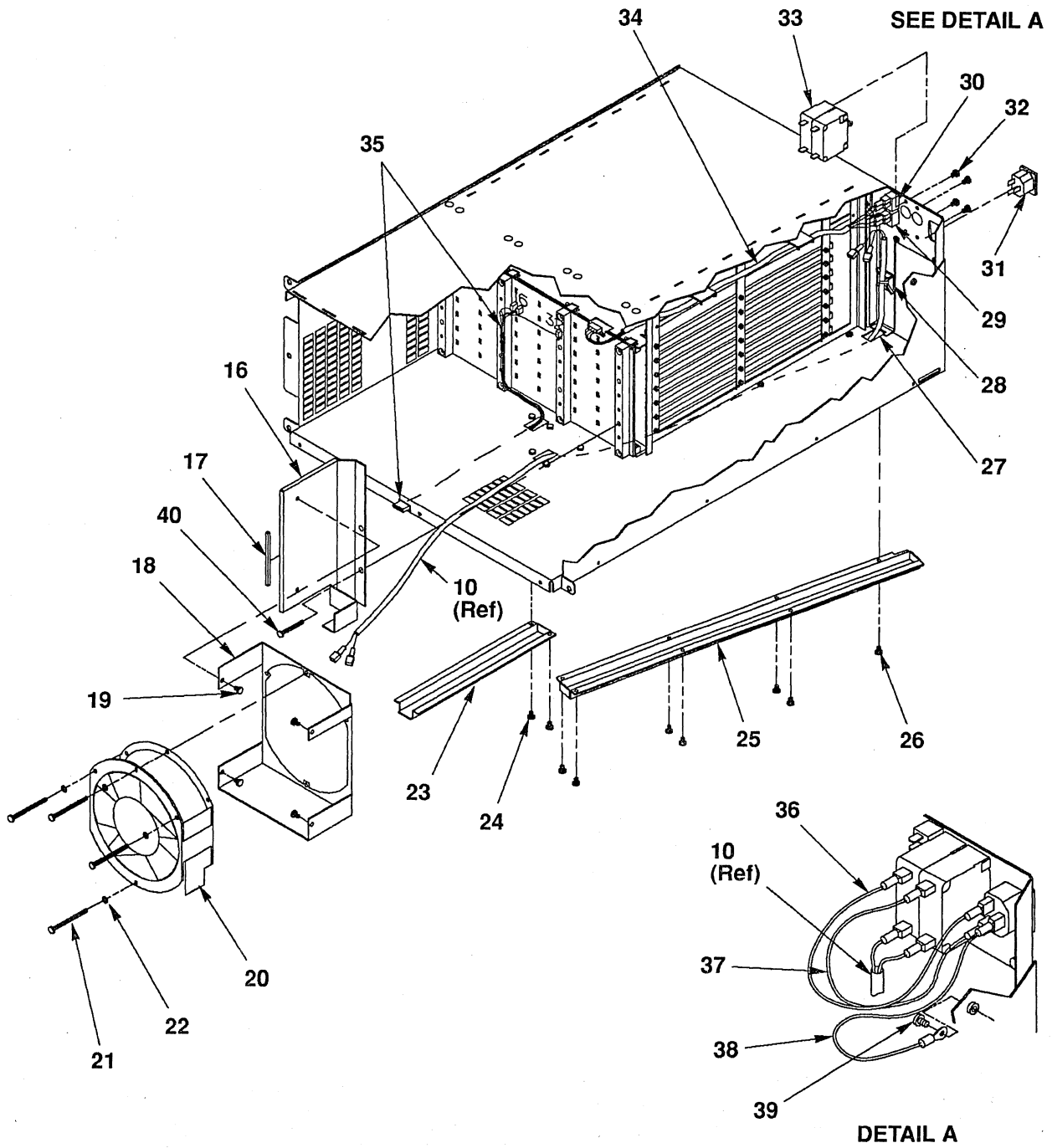
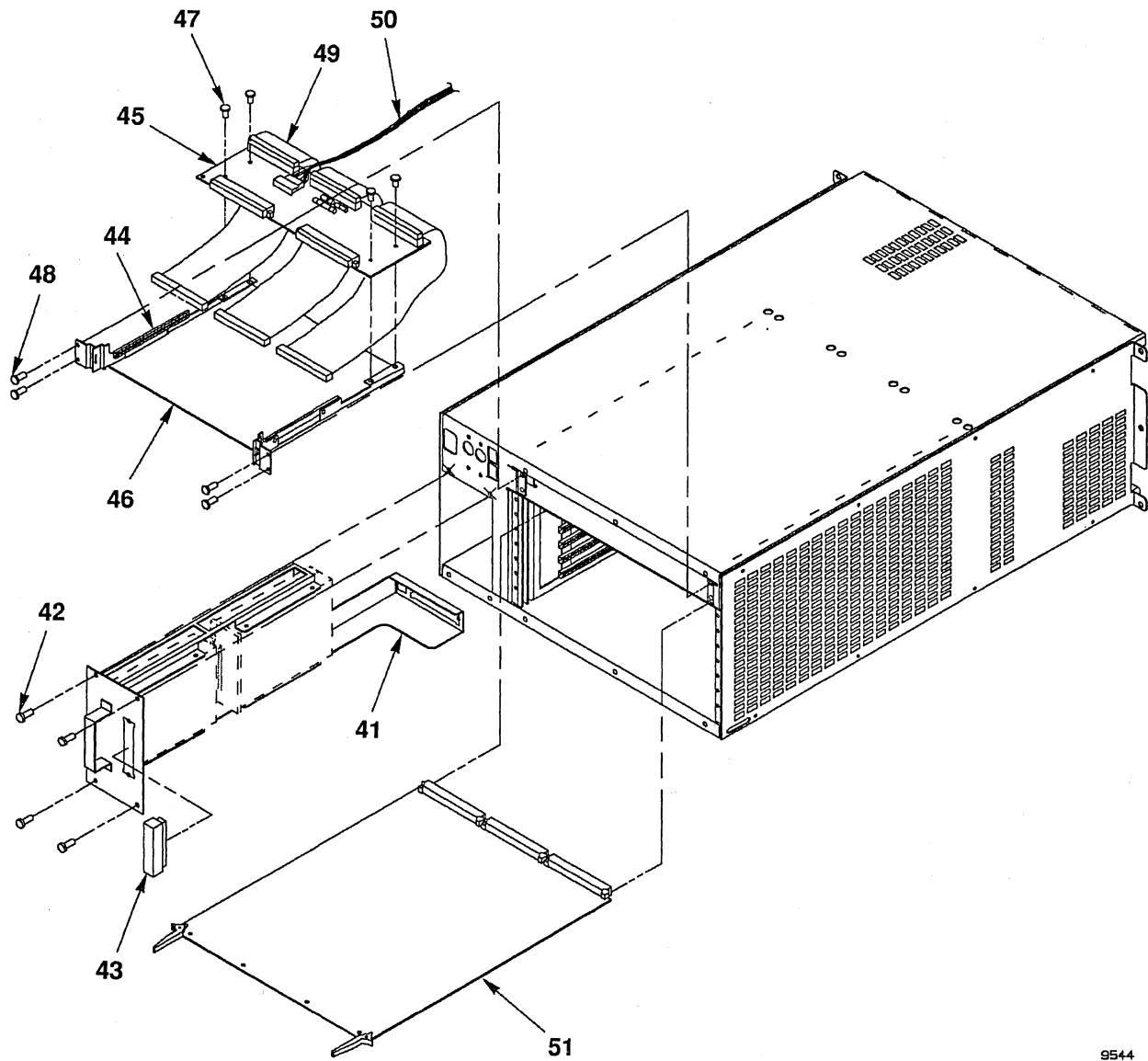


FIGURE 5. Chassis Assembly, Series 700 (2 of 4)

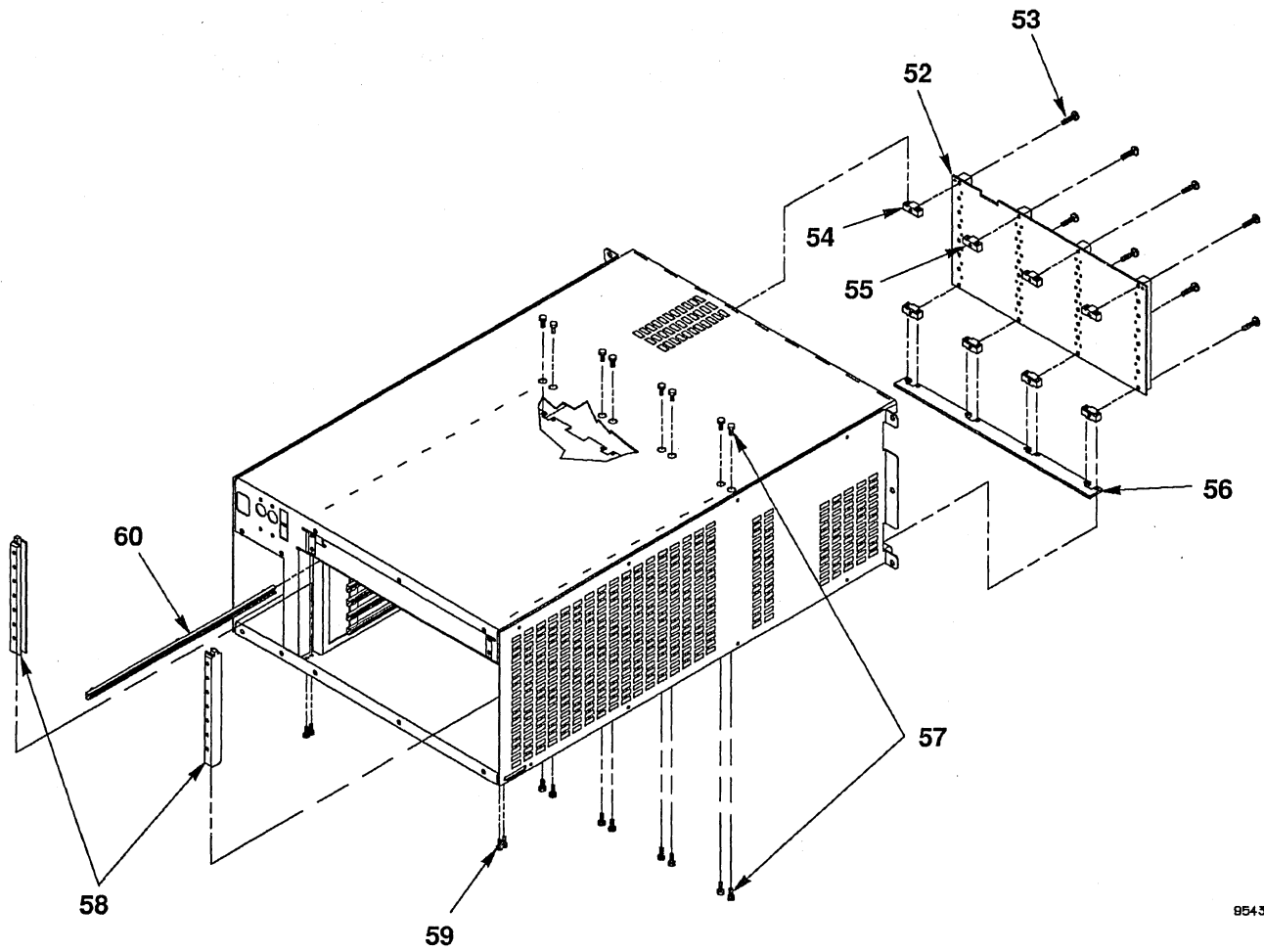
FIGURE & INDEX NUMBER	DESCRIPTION	PART NUMBER	USABLE ON CODE	QTY PER ASM
Fig 5.	Chassis Assembly, Series 700 (continued)	105131		1
16	• Bracket, Fan Tray Mount, Series 700	105270		1
17	• Gasket, EMI, .13 x .19" w/3m 950 Adh Back	102416		AR
18	• Tray, Fan, Metal, Series 700	105121		1
19	• Screw, CPMT, 6-32 x 1/4, Zn-Cc, Clear	102538		4
20	• Fan, Series 700	105165		1
21	• Screw, CBM, 8-32 x 2 1/4"	105357		4
22	• Washer, #8 (M4.0), Ext Tooth Starwasher, Clear	102203		4
23	• Shield, Bottom Tray, Metal, Test Cable, Series 700	105285		1
24	• Screw, CPMT, 6-32 x 1/4, Zn-Cc, Clear	102538		2
25	• Shield, Bottom Tray, Metal, AC Wire, Series 700	105286		1
26	• Screw, CPMT, 6-32 x 1/4, Zn-Cc, Clear	102538		7
27	• Grommet, Flexible .9 mm to 1.6 mm	101319		AR
28	• Mount, Tie Wrap, Adh Back, 1.0" Sq	104576		3
29	• Switch, Rocker, SPST, Momentary On, Gold, Reset	101119		1
30	• Switch, Rocker, SPST, Diag, Black	102034		1
31	• Receptacle, AC Panel Mount, Snap-In, QD, Male	105308		1
32	• Screw, CPMT, 6-32 x 1/4, Zn-Cc, Clear	102538		4
33	• Breaker, 15A, 250V, 2 Pole	103926		1
34	• Cable Assembly, NMI/Reset	105223		1
35	• Cable Assembly, Voltage, Test Point	105343		1
36	• Cable Assembly, 7", QD to QD, Brown	105221-05		1
37	• Cable Assembly, 7", QD to QD, Blue	105221-06		1
38	• Cable Assembly, 6.7", QD to M4 Ring, Grn/Yel	105219-04		1
39	• Screw, CPMT, 8-32 x 3/16", Clear	105163		1
40	• Screw, CPMT, 6 x8	102371		2



9544

FIGURE 5. Chassis Assembly, Series 700, Rear View (3 of 4)

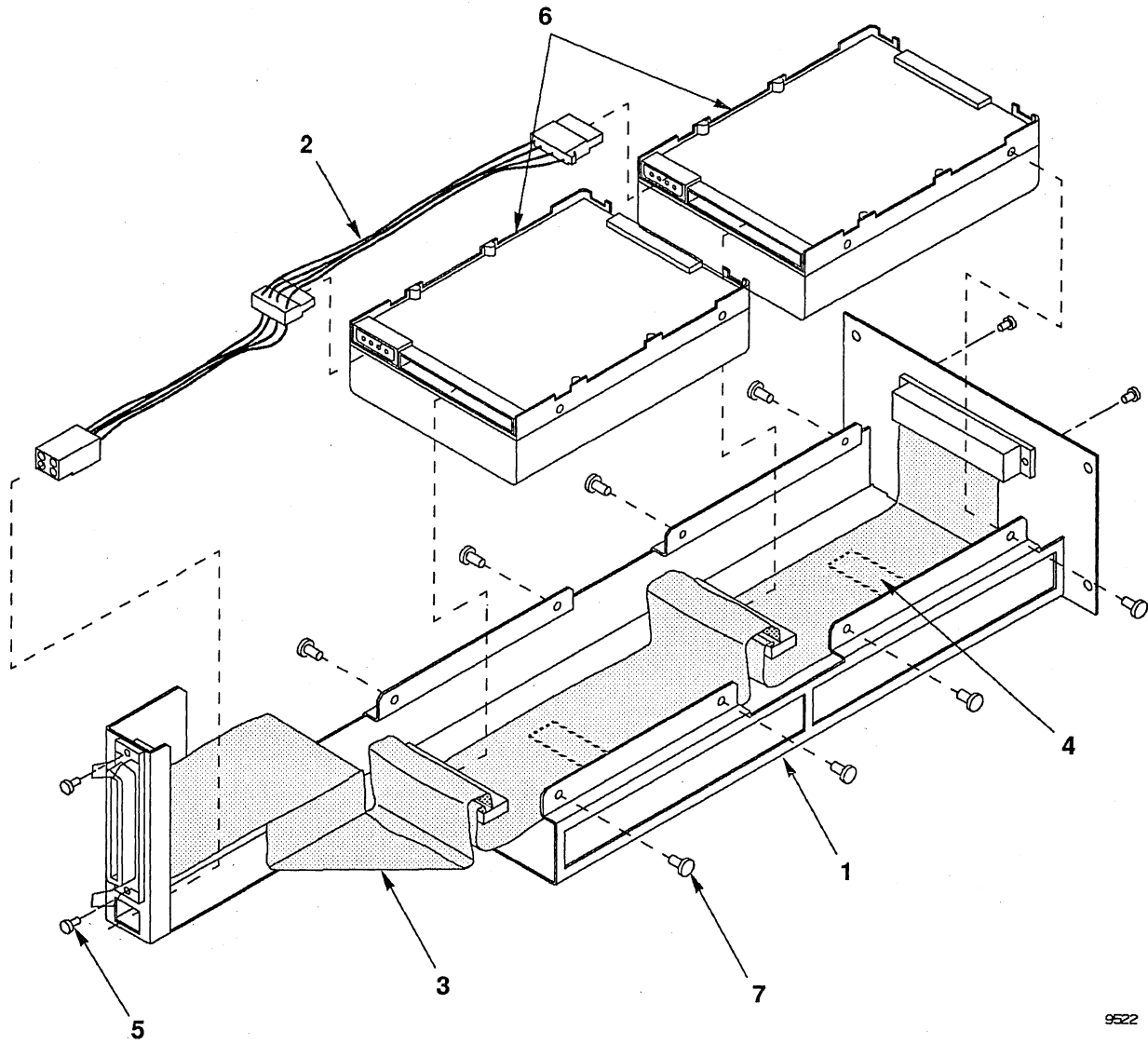
FIGURE & INDEX NUMBER	DESCRIPTION	PART NUMBER	USABLE ON CODE	QTY PER ASM
Fig. 5	Chassis Assembly, Series 700 (continued)	105131		1
41	• Disk Tray Assembly, Series 700 (See Figure 6 for breakdown)	105215		1
42	• Screw, CPMT, 6-32 x 1/4, Zn-Cc, Clear	102538		4
43	• Terminator, SCSI, Sgl In, Sgl Out	101714		42
Assy	• Card Cage Assembly, 1 Slot, VME, Series 700	105127		1
44	• • Card Guide, Snap-In, 4.5" x .125"	105111		2
45	• • PCB, Backplane, VME, 1 Slot, Series 700	105154		1
46	• • Weldment, Card Cage, 1 Slot, VME, Series 700	105116		1
47	• • Screw, CPMT, 6-32 x 1/4, Zn-Cc, Clear	102538		4
48	• Screw, CPMT, 6-32 x 1/4, Zn-Cc, Clear	102538		4
49	• Cable Assembly, VME Data, Series 700	105204		3
50	• Cable Assembly, Power, VME	105224		1
51	PCB Assembly, I/O Graphics	102801		1



9543

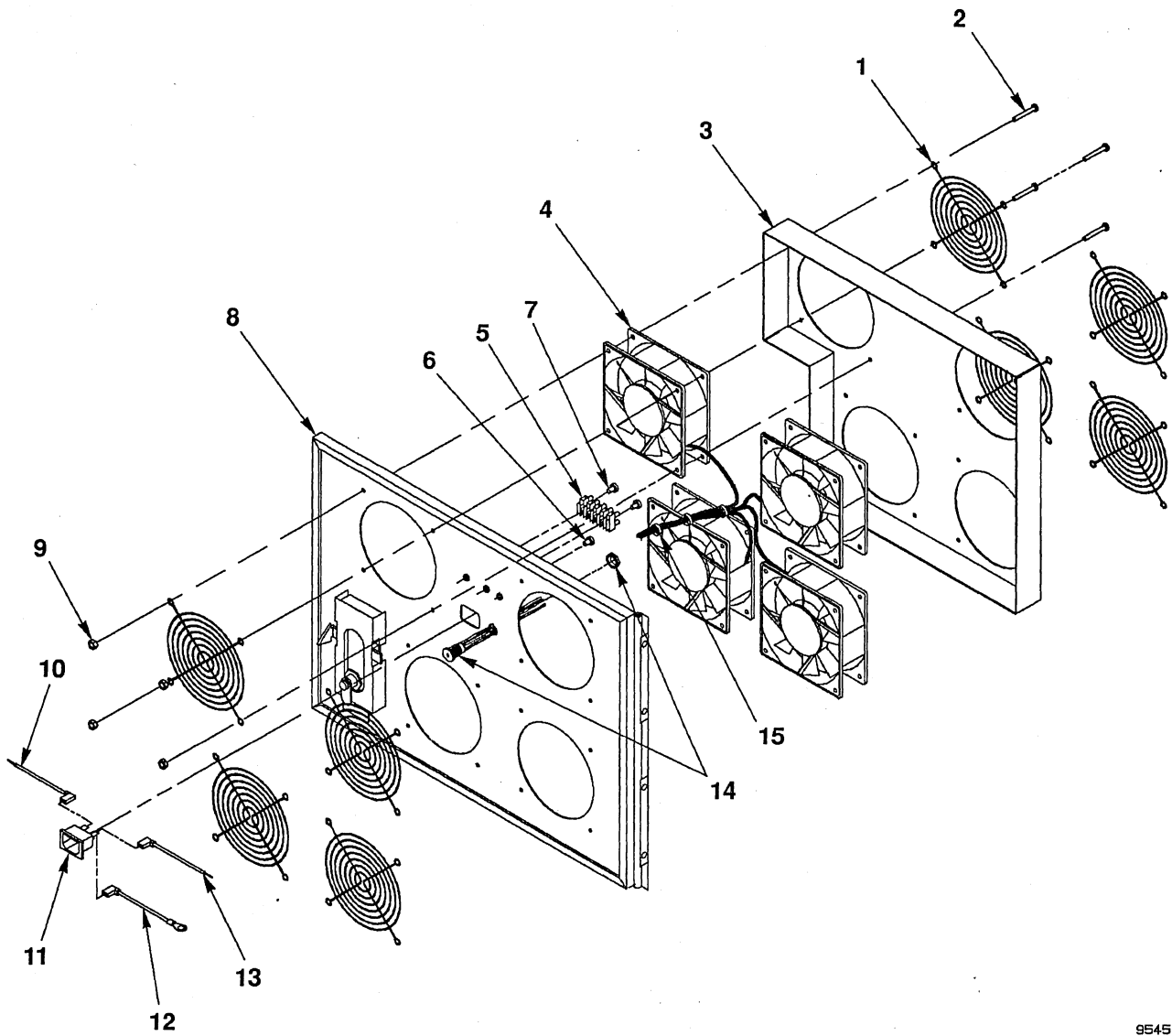
FIGURE 5. Chassis Assembly, Series 700, Rear View (4 of 4)

FIGURE & INDEX NUMBER	DESCRIPTION	PART NUMBER	USABLE ON CODE	QTY PER ASM
Fig. 5	Chassis Assembly, Series 700 (continued)	105131		1
52	• PCB Assembly, Backplane, Kbus, 7 Slot, Series 600	101289		1
53	• Screw, CFM, M4 x 16	105954		8
54	• Block, Backplane Mount, Metal, Al, Series 900	103592		4
55	• Block, Backplane Mount, Plastic, Series 900	103593		4
56	• Spacer, Backplane, Metal, Series 700	105133		1
57	• Screw, CPRB, 4 x 10, Zn-Cc	101298		16
58	• Rail, PCB Mounting, Metal, Series 700	105119		2
59	• Screw, CPM, 6-32 x 3/8", Zn-Cc	101401		4
60	• Card Guide, Snap-In, 12" x .175"	105112		14



9522

FIGURE 6. Disk Tray Assembly



9545

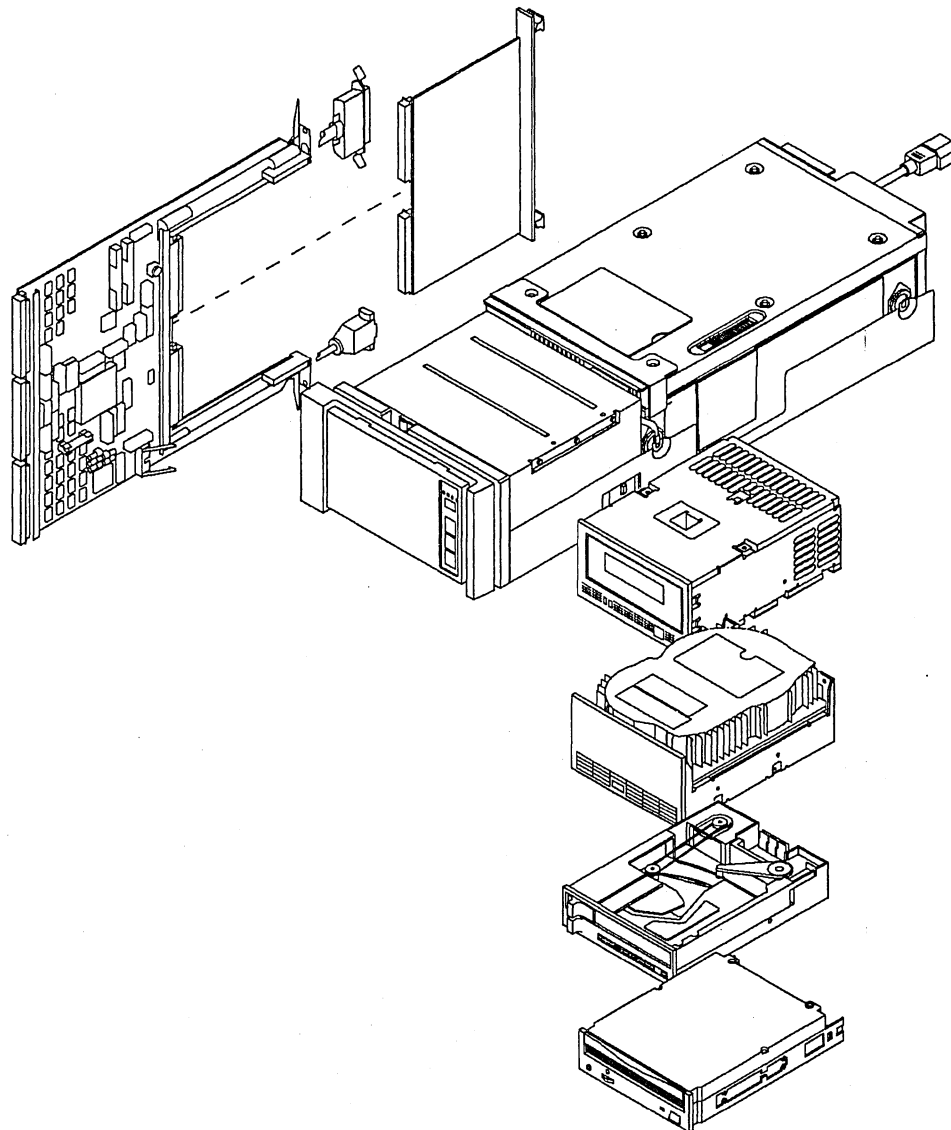
FIGURE 7. Fan Door Assembly, 19" EIA Cabinet

FIGURE & INDEX NUMBER	DESCRIPTION				PART NUMBER	USABLE ON CODE	QTY PER ASM
	1	2	3	4			
Fig. 7	Fan Door Assembly, 19" EIA Cabinet (See Figure 3, Item 8 for NHA)				105451		1
1	• Fan Guard, 120 mm, Metal				102360		8
2	• Screw, CPMT, 6-32 x 2, Zn-Cc, Clear				105398		16
3	• Cover, Fan, Rear Door, Metal				105609		1
4	• Fan, 120/240 VAC, 105 CFM, 4.7" Sq x 1.5"				105226		4
5	• Terminal Block, 4-Way				105323		1
6	• Screw, CPMT, 6-32 x 1/4, Zn-Cc, Clear				102538		1
7	• Screw, CPMT, 6-32 x 3/4, Zn-Cc, Clear				104578		2
8	• Door, Fan, Modified, Series 700				105594		1
9	• Nut, Hex, Keps, 6-32, Zn-Cc				104573		16
10	• Cable Assembly, 4.0", Rt Ang QD to Tinned, Brown				105963-01		1
11	• Receptacle, AC, Panel Mount, Snap-In, QD, Male				105308		1
12	• Cable Assembly, Rt Ang QD to M4 Ring				104549-02		1
13	• Cable Assembly, 4.0", Rt Ang QD to Tinned, Blue				105963-02		1
14	• Cable Assembly, Voltage Select Switch				105964		1
15	• Cable Tie, 5.6" x .10"				102020		3

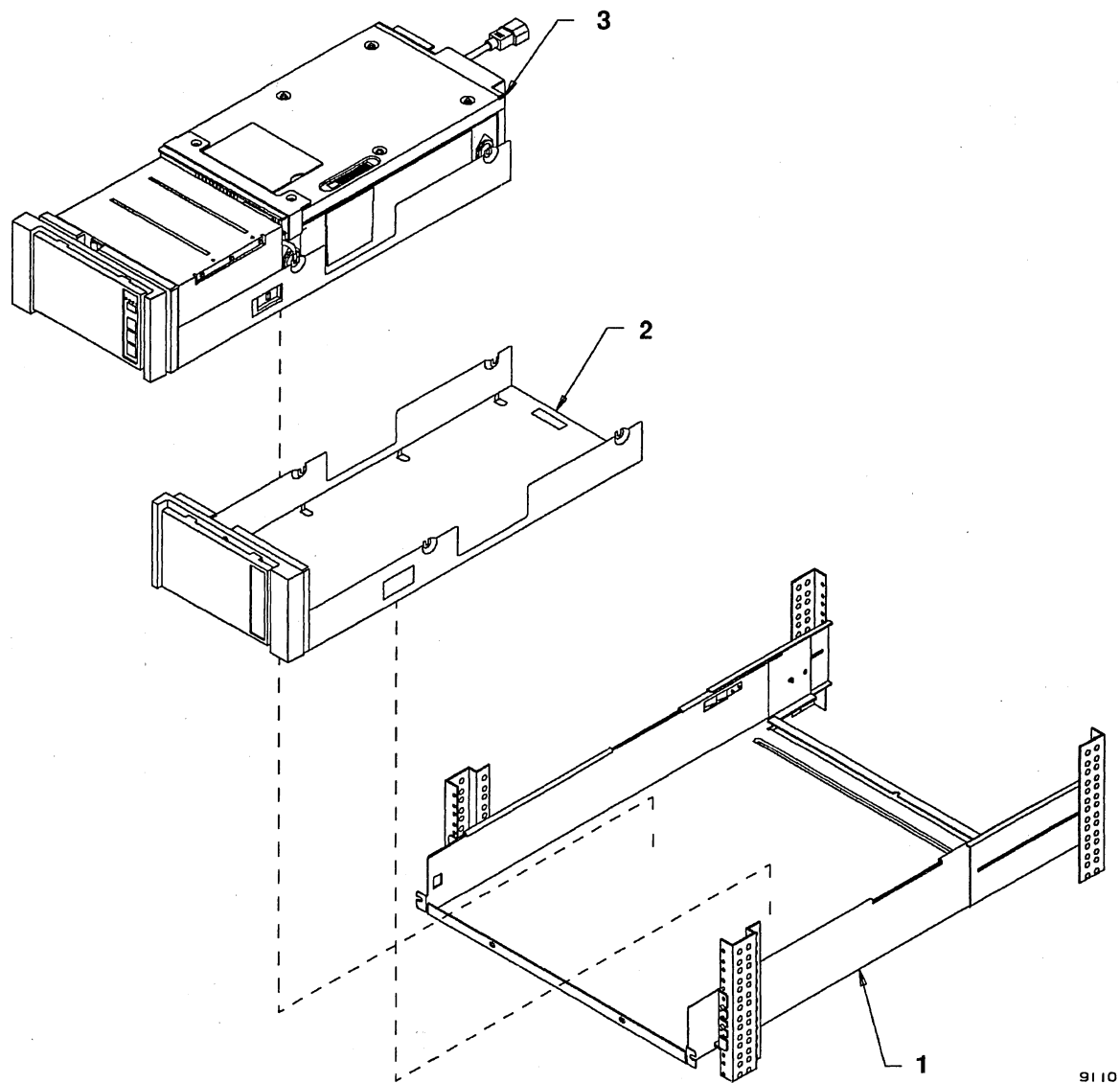
Section 3: Series 700 Optional Assemblies

This section offers illustrations of the optional assemblies and their corresponding part number indices.

Some of the Series 700 optional assemblies are shown below.



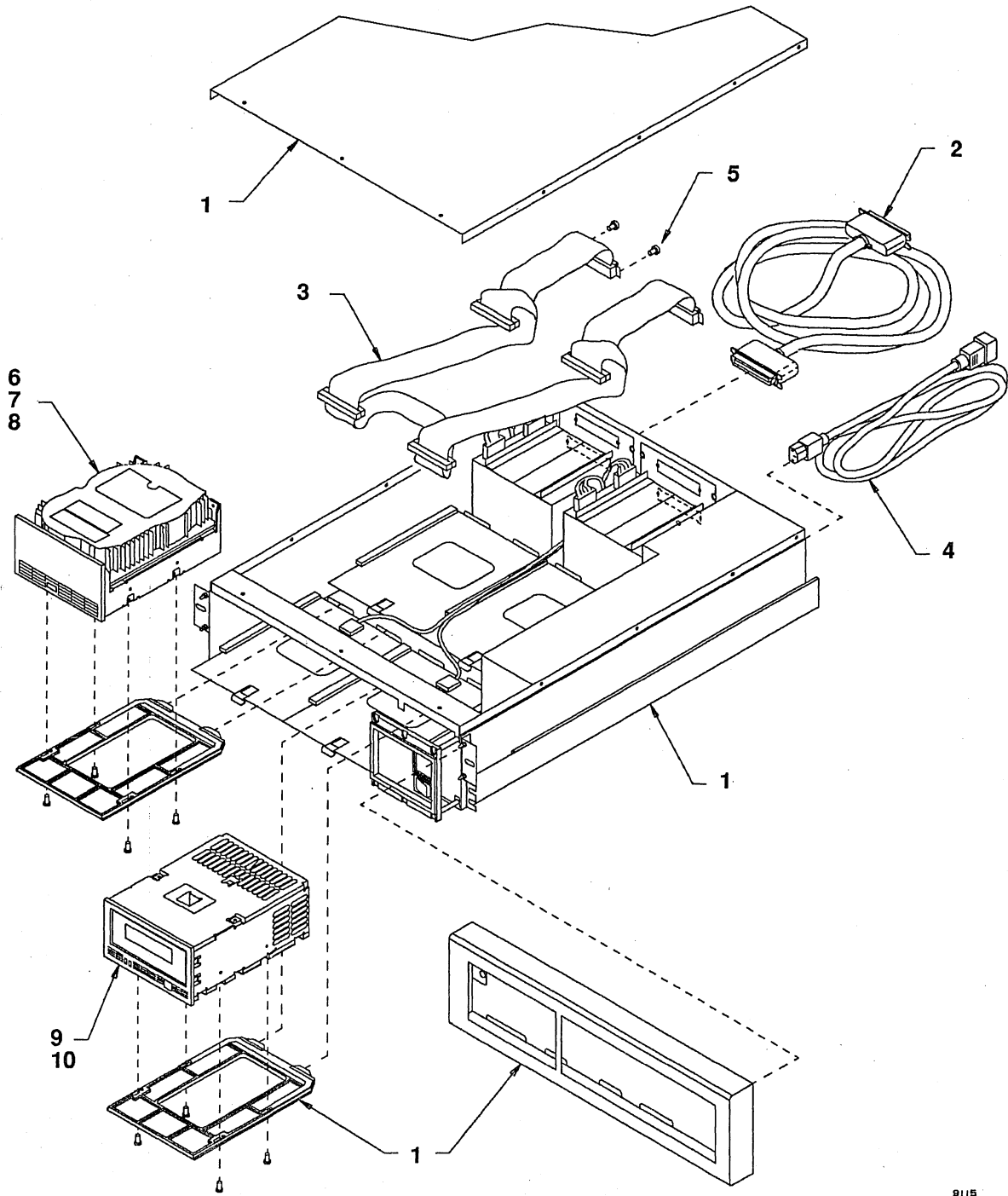
9118



9110

FIGURE 8. IPI Disk Option

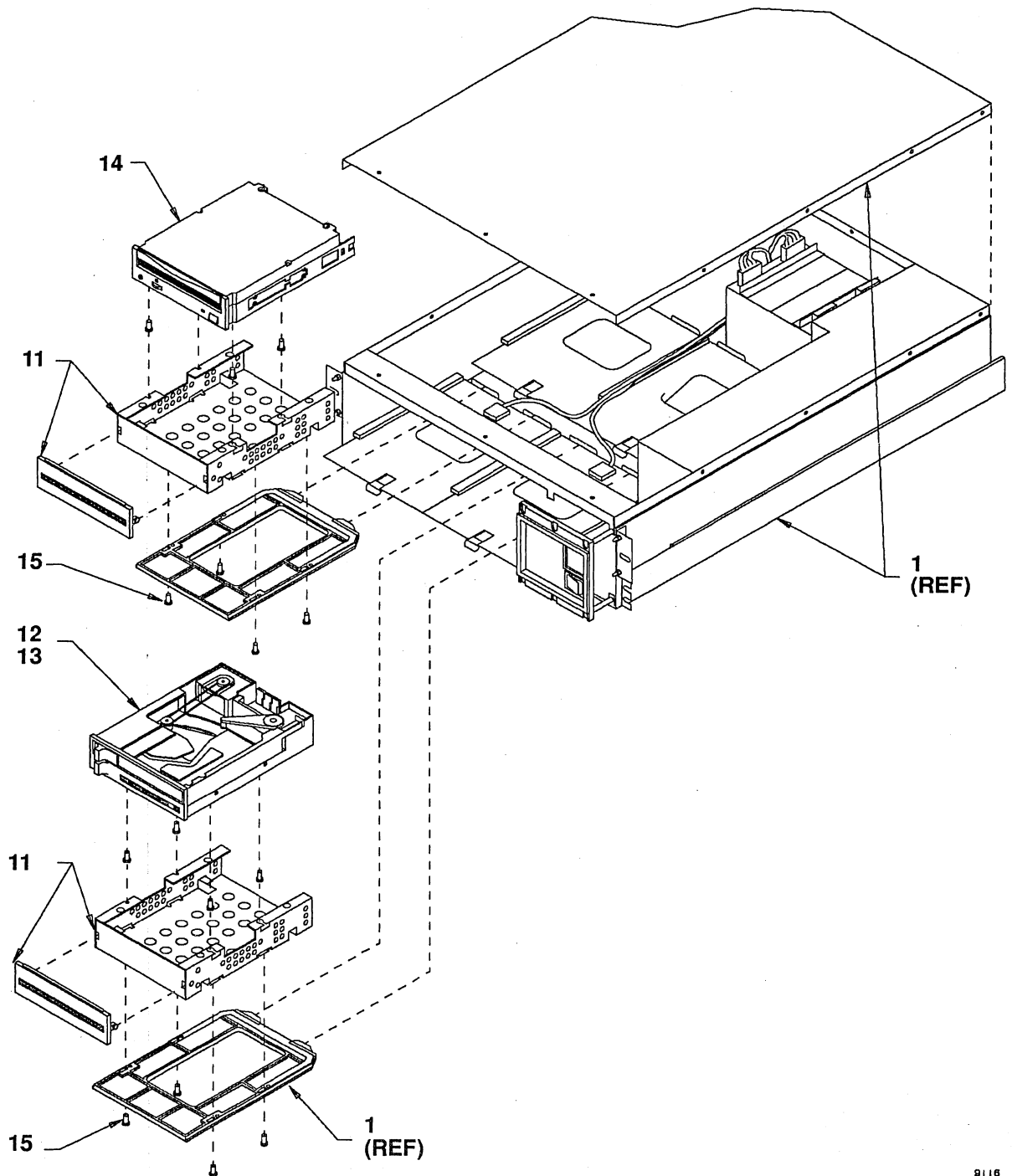
FIGURE & INDEX NUMBER	DESCRIPTION 1 2 3 4	PART NUMBER	USABLE ON CODE	QTY PER ASM
Fig. 8	IPI Disk Option	No Number		AR
1	• Shelf, Tray, 19" Rack Mount	103916		AR
2	• Tray, Media, Empty, IPI	103915		AR
3	• Tray, Media, Loaded, 860MB	104236		AR
	• Tray, Media, Loaded, 2.7GB	105271		AR



9115

FIGURE 9. Four Bay SCSI Device Options (1 of 2)

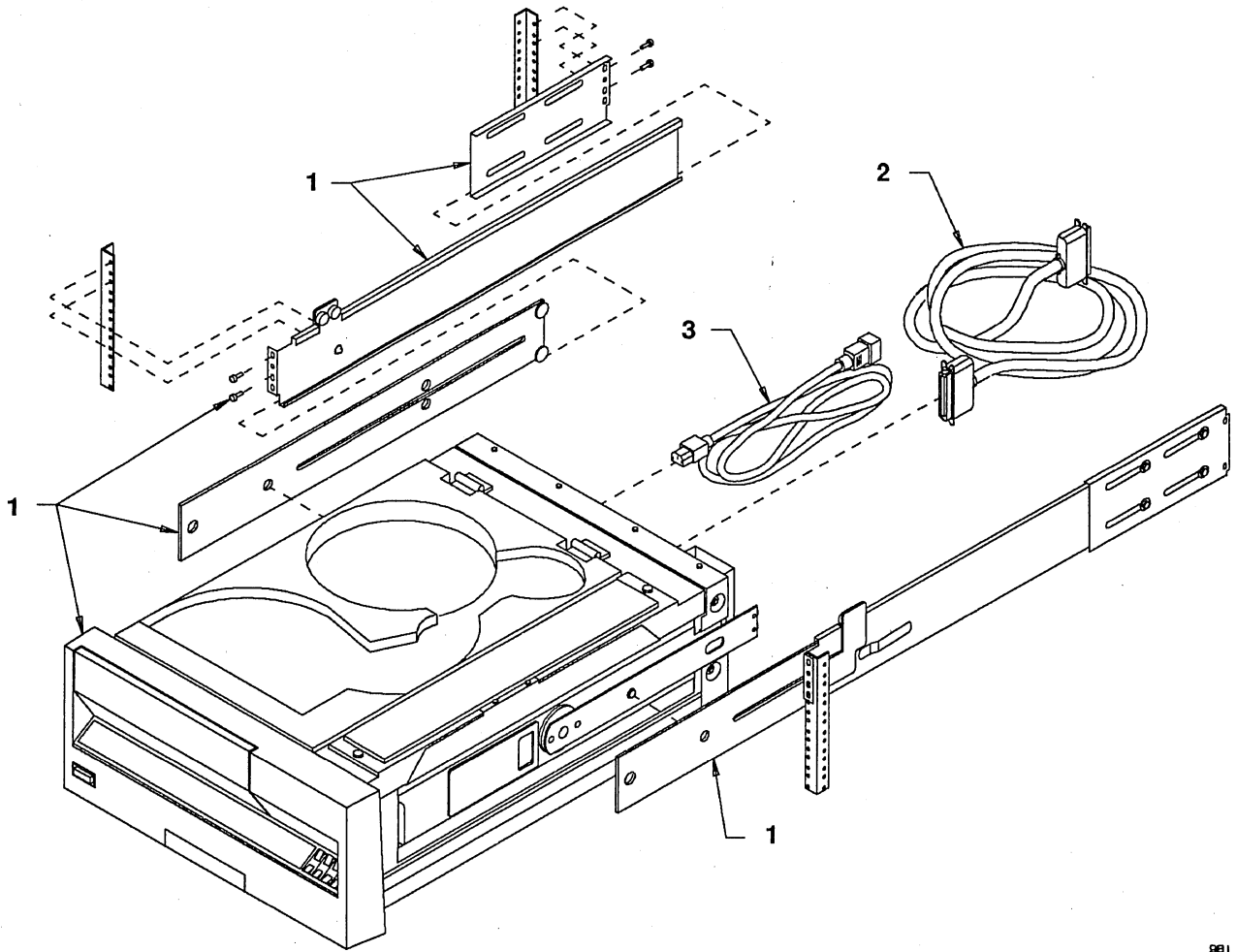
FIGURE & INDEX NUMBER	DESCRIPTION				PART NUMBER	USABLE ON CODE	QTY PER ASM
	1	2	3	4			
Fig. 9	SCSI Device Enclosure Option, 110/220 Volt Four Bay				No Number		AR
1	• Tray, SCSI, Four Bay 110/220 VAC				104820		AR
2	• Cable Assembly, External, SCSI Shielded, 2 Meter				102104		AR
3	• Cable Assembly, Data, SCSI Tray, Series 900				104141		AR
4	• Power Cord, 18/3 AWG, 3'3" Lg, Type SJT, 10 Amp				102479		AR
5	• Screw, CPMT, 4-40 x 7/16", Zn-Cc, Clear				103872		AR
6	• Disk Drive Assembly, 661 Mbyte, SCSI				102235		AR
7	• Disk Drive Assembly, 327 Mbyte, SCSI				101001		AR
8	• Disk Drive Assembly, 1.35 Gbyte, SCSI				104936		AR
9	• Tape Drive Assembly, SCSI, 8mm 2.0 Gbyte, 5.25" FH				102241		AR
10	• Tape Drive Assembly, SCSI, 8mm 5.0 Gbyte, OBSO				105359		AR
not shown	• Tape, Video, 8mm				102370		AR
not shown	• Cleaner Head Kit, 8mm Tape Drive				102369		AR



9116

FIGURE 9. Four Bay SCSI Device Options (2 of 2)

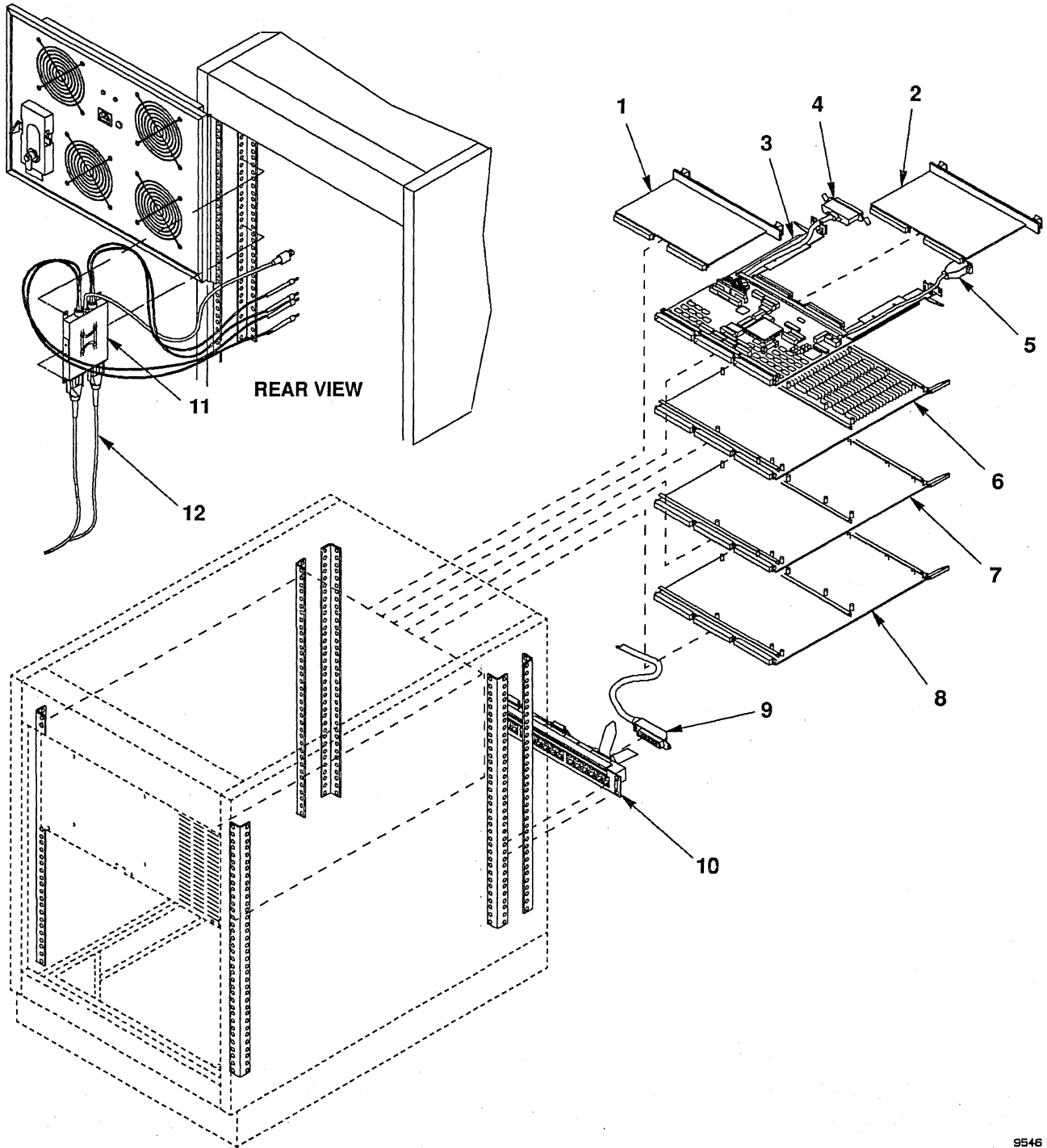
FIGURE & INDEX NUMBER	DESCRIPTION				PART NUMBER	USABLE ON CODE	QTY PER ASM
	1	2	3	4			
Fig. 9	SCSI Device Enclosure Option, 110/220 Volt Four Bay (continued)				No Number		AR
11	• Adapter, Half Height, SCSI Tray,				104514		AR
12	• Tape Drive Assembly, QIC-11/24, OBSO				102275		AR
13	• Tape Drive Assembly, QIC 150				101002		AR
not shown	• Cleaner Head Kit, Tape Drives, 1/4" and 1/2"				102606		AR
14	• CD ROM, 5.25" HH, SCSI				105467		AR
15	• Screw, CPM, 6-32 x 3/8", Zn-Cc				101401		AR



981

FIGURE 10. Tri-Density, Half-Inch Tape Drive, OBSO

FIGURE & INDEX NUMBER	DESCRIPTION 1 2 3 4	PART NUMBER	USABLE ON CODE	QTY PER ASM
Fig. 10	Tri-Density, Half-Inch Tape Drive Option, OBSO	No Number		AR
1	• Tape Drive, SCSI, GCR/PR/NRzI/ 1/2", Rackmount	103751		1
2	• Cable, External, SCSI, Shield, 2 Meter	102104		1
3	• Power Cord, 18/3 AWG, 3'3" Lg, Type SJT, 10 A	102479		1
not shown	• Cleaner Head Kit, 1/4" & 1/2" Tape Drives	102606		1



9546

FIGURE 11. Optional Printed Circuit Boards and Peripherals

FIGURE & INDEX NUMBER	DESCRIPTION				PART NUMBER	USABLE ON CODE	QTY PER ASM
	1	2	3	4			
11	Optional Printed Circuit Boards (PCB) and Peripherals				No. Number		AR
1	• Mux PCB, Serial, VME, 16 Channel				102705		AR
	• Controller Assembly, FDDI				105889		AR
	• Controller Assembly, Ethernet VMEbus Interface				105422		AR
2	• Controller Assembly, Disk Dr, IPI-2, VME Bus Interface				105356		AR
3	• Kbus/VME Adapter PCB Assembly				105003		AR
4	• Cable Assembly, SCSI, Molded, MultiChannel				104620		AR
5	• Cable Assembly, Ethernet, Molded, MultiChannel				104542		AR
6	• Memory PCB Assembly, 16 MByte				101548		AR
	• Memory PCB Assembly, 32 MByte				104346		AR
	• Memory PCB Assembly, 128 MByte				104481		AR
	• Memory PCB Assembly, 256 MByte				105983		AR
7	• CG30 PCB Assembly, Color Graphics				101897		AR
8	• CPU PCB Assembly, Series 5				102247		AR
	• CPU PCB Assembly, Series 5E				104844		AR
9	• Cable, Serial Mux				102953		AR
10	• Patch Panel, 19" Mt, Harmonica, 8 Wire, 24 Channel				104521		AR
11	• Relay Assembly, Optical Bypass, FDDI				105892		AR
12	• Cable Assembly, 2M, FDDI				105891		AR

Section 4: Numeric Index

This section is a numerical list of the part numbers for the Series 700 shown in this catalog.

1, 2, 3

Solbourne Computer, Inc.

PART NUMBER	PART DESCRIPTION	INDEX NO.
101001	Disk Drive Assembly, 327 Mbyte, SCSI	9-7
101002	Tape Drive Assembly, QIC 150, OBSO	9-13
101119	Switch, Rocker, SPST, Mom. On, Gold, Reset	5-29
101289	PCB Assembly, Backplane, Kbus, 7 Slot	5-52
101298	Screw, CPRB, 4 x 10, Zn-Cc	5-57
101319	Grommet, Flexible .9 mm to 1.6 mm	5-27
101401	Screw, CPM, 6-32 x 3/8", Zn-Cc	9-15
101548	Memory PCB Assembly, 16 MByte	11-6
101714	Terminator, SCSI, Sgl In, Sgl Out	5-43
101897	CG30 PCB Assembly, Color Graphics	11-7
102020	Cable Tie, 5.6" x .10"	7-15
102034	Switch, Rocker, SPST, Diag, Black	5-30
102104	Cable Assy, External, SCSI Shielded, 2 M	9-2
102104	Cable, External, SCSI, Shield, 2 Meter	10-2
102203	Washer, #8 (M4.0), Ext Tooth Starwasher, Cl	5-22
102235	Disk Drive Assembly, 661 Mbyte, SCSI	9-6
102241	Tape Drive Assy, SCSI, 8mm 2.0 Gbyte, 5.25"	9-9
102247	CPU PCB Assembly, Series 5	11-8
102275	Tape Drive Assembly, QIC-11/24, OBSO	9-12
102360	Fan Guard, 120 mm, Metal	7-1
102369	Cleaner Head Kit, 8mm Tape Drive	9-
102370	Tape, Video, 8mm	9-
102371	Screw, CPMT, 6 x 8	5-40
102416	Gasket, EMI, .13 x .19" w/3m 950 Adh Back	5-17
102479	Power Cord, 18/3 AWG, 3'3" Lg, SJT, 10 A	10-3
102479	Power Cord, 18/3 AWG, 3'3" Lg, SJT, 10 A	9-4
102479	Power Cord, 18/3 AWG, 3'3", Type SJT, 10 A	3-13
102538	Screw, CPMT, 6-32 x 1/4, Zn-Cc, Clear	5-19
102538	Screw, CPMT, 6-32 x 1/4, Zn-Cc, Clear	5-24
102538	Screw, CPMT, 6-32 x 1/4, Zn-Cc, Clear	5-26
102538	Screw, CPMT, 6-32 x 1/4, Zn-Cc, Clear	5-32
102538	Screw, CPMT, 6-32 x 1/4, Zn-Cc, Clear	5-42
102538	Screw, CPMT, 6-32 x 1/4, Zn-Cc, Clear	5-47
102538	Screw, CPMT, 6-32 x 1/4, Zn-Cc, Clear	5-48
102538	Screw, CPMT, 6-32 x 1/4, Zn-Cc, Clear	6-7
102538	Screw, CPMT, 6-32 x 1/4, Zn-Cc, Clear	7-6
102606	Cleaner Head Kit, 1/4" & 1/2" Tape Drives	10-
102606	Cleaner Head Kit, Tape Drives, 1/4" and 1/2"	9-
102705	Mux PCB, Serial, VME, 16 Channel	11-1
102801	PCB Assembly, I/O Graphics	5-51
102953	Cable, Serial Mux	11-9
103117	Warning Label, Power Supply, S4000	4-2
103281	Fuse, 10 Amp, 250V, .25' x 1.25', Slo-Blo	3-15
103487	Screw, CPMT, 10-32 x 3/8", Clear	3-2

PART NUMBER	PART DESCRIPTION	INDEX NO.
103487	Screw, CPMT, 10-32 x 3/8", Clear	2-4
103488	Identification Label, Longmont	4-6
103592	Block, Backplane Mount, Metal, Al, Series 900	5-54
103593	Block, Backplane Mount, Plastic, Series 900	5-55
103751	Tape Drive, SCSI, GCR/PR/NRzl/ 1/2"	10-1
103802	Cover, 11-slot, Kbus Cage, Series 900	2-7
103872	Screw, CPMT, 4-40 x 7/16", Clear	6-5
103872	Screw, CPMT, 4-40 x 7/16", Zn-Cc, Clear	9-5
103896	Blank, Vented, Series 700	2-3
103899	Blank, 3U x 482mm, Rack, Series 900	2-2
103915	Tray, Media, Empty, IPI	8-2
103916	Shelf, Tray, 19" Rack Mount	8-1
103926	Breaker, 15A, 250V, 2 Pole	5-33
104131	Cable Assembly, Long Kbus Gnd, Chassis	5-13
104137	Cable Assembly, 5V Kbus, Chassis	5-12
104141	Cable Assy, Data, SCSI Tray, Series 900	9-3
104209	Ball Stud, #10-32	2-5
104210	Washer, M5, Ext Tooth Lock, Type A, Zn-Cc	2-6
104236	Tray, Media, Loaded, 860MB	8-3
104346	Memory PCB Assembly, 32 MByte	11-6
104367	Voltage Label, Dangerous	4-1
104481	Memory PCB Assembly, 128 MByte	11-6
104514	Adapter, Half Height, SCSI Tray	9-11
104521	Patch Panel, 19" Mt., Harmonica, 8 Wire, 24 Chan	11-10
104549-02	Cable Assembly, Rt Ang QD to M4 Ring	7-12
104573	Nut, Hex, Keps, 6-32, Zn-Cc	7-9
104576	Mount, Tie Wrap, Adh Back, 1.0" Sq	5-28
104578	Screw, CPMT, 6-32 x 3/4, Zn-Cc, Clear	7-7
104733	Nut Retainer, #10-32 Thread	3-3
104747	Shipping Assembly	1-
104820	Tray, SCSI, Four Bay 110/220 VAC	9-1
104844	CPU PCB Assembly, Series 5E	11-8
104876	Cushion, Front, Shipping	1-4
104877	Cushion, Rear, Shipping	1-3
104878	Sleeve, Outer, Shipping Carton	1-5
104879	Top, Shipping Carton	1-1
104880	Spacer, Shipping Carton	1-6
104881	Ramp, Shipping	1-2
104882	Pallet, Shipping Carton	1-7
104936	Disk Drive Assembly, 1.35 Gbyte, SCSI	9-8
105003	Kbus/VME Adapter PCB Assembly	11-3
105046	Disk Drive, 3.5", SCSI, 500 MB	6-6
105050	Disk Drive Kit, 500 MB, Optional Assembly	6-
105111	Card Guide, Snap-In, 4.5" x .125"	5-44

PART NUMBER	PART DESCRIPTION	INDEX NO.
105112	Card Guide, Snap-In, 4.5" x .125"	5-60
105116	Weldment, Card Cage, 1 Slot, VME	5-46
105119	Rail, PCB Mounting, Metal, Series 700	5-58
105121	Tray, Fan, Metal, Series 700	5-18
105122	Panel, Front, External, Series 700	2-1
105123	Weldment Assembly, Disk Tray, Series 700	6-1
105124	Weldment Assembly, Chassis, Series 700	5-5
105125	Panel, Front, Internal, Series 700	5-1
105127	Card Cage Assembly, 1 Slot, VME, Series 700	5-
105128	Power Supply, Series 700	5-4
105129	Cover Assembly, Cosmetic, Series 700	2-
105131	Chassis Assembly, Series 700	3-1
105131	Chassis Assembly, Series 700	5-
105132	Cover, Card Cage, Series 700	5-3
105133	Spacer, Backplane, Metal, Series 700	5-56
105139	Rail, Adapter, Metal, Chassis, Right	3-5
105151	Mechanical Assembly, Series 700	3-
105152	Label Assembly, Series 700	4-
105154	PCB, Backplane, VME, 1 Slot, Series 700	5-45
105163	Screw, CPMT, 8-32 x 3/16", Clear	5-2
105163	Screw, CPMT, 8-32 x 3/16", Clear	5-39
105165	Fan, Series 700	5-20
105175	Power Cord, 12/3 AWG, 2.5m, 20A, SJT,	3-14
105191	Power Distribution Unit Assembly	3-7
105204	Cable Assembly, VME Data, Series 700	5-49
105211	Filler Panel, 6U, 4HP VME	2-8
105214	Cable Assembly, SCSI, Data, Disk Tray, Flat	6-3
105215	Disk Tray Assembly, Series 700	5-41
105215	Disk Tray Assembly, Series 700	6-
105216	Cable Assembly, Power, Disk and Fan	5-6
105217	Cable Assembly, 5V Sense	5-11
105218-01	Cable Assembly, Ground, Power Supply	5-7
105219-04	Cable Assembly, 6.7", QD to M4 Ring, Grn/Yel	5-38
105220	Cable Assembly, AC Inlet	5-10
105221-05	Cable Assembly, 7", QD to QD, Brown	5-6
105221-06	Cable Assembly, 7", QD to QD, Blue	5-37
105222	Cable Assembly, Power, Disk Tray	6-2
105223	Cable Assembly, NMI/Reset	5-34
105224	Cable Assembly, Power, VME	5-50
105225	Cable Assembly, 12V Supply Ground	5-9
105226	Fan, 120/240 VAC, 105 CFM, 4.7" Sq x 1.5"	7-4
105242	Cable Assembly, SCSI, Data, Kbus, Round	5-14
105250	Fuse, 6.3 Amp, 5mm x 20mm, Slo-Blo	3-16
105251	Fuseholder, PC Mount, 5mm x 20mm, Knob	3-17
105252	Fuseholder, PC Mount, .25' x 1.25", Knob	3-18

PART NUMBER	PART DESCRIPTION	INDEX NO.
105270	Bracket, Fan Tray Mount, Series 700	5-16
105271	Tray, Media, Loaded, 2.7GB	8-3
105285	Shield, Bottom Tray, Metal, Test Cable, Series 700	5-23
105286	Shield, Bottom Tray, Metal, AC Wire	5-25
105308	Receptacle, AC Panel Mount, Snap-In, QD, M	5-31
105308	Receptacle, AC, Panel Mount, Snap-In, QD, M	7-11
105323	Terminal Block, 4-Way	7-5
105343	Cable Assembly, Voltage, Test Point	5-35
105344	Cable Assembly, 12V, Kbus, Backplane	5-8
105356	Controller Assy, Disk Dr, IPI-2, VME Bus	11-2
105357	Screw, CBM, 8-32 x 2 1/4"	5-21
105358	Switch, Temp Sensor, 57C to 63C, N/C	5-15
105359	Tape Drive Assy, SCSI, 8mm 5.0 Gbyte, OBSO	9-10
105385	Connector ID Label, PDU	4-4
105386	Ratings Label, Series 700	4-5
105389	Warning Label, PDU	4-7
105398	Screw, CPMT, 6-32 x 2, Zn-Cc, Clear	7-2
105413	Ratings Label, Series 700 Chassis	4-3
105414	Gasket, Plenum, Long, Left Side Cover	3-10
105415	Gasket, Plenum, Short, Left Side Cover	3-11
105417	Cabinet, 19" EIA, 30" x 30" x 22"	3-12
105418	Rail, Adapter, Metal, Chassis, Left	3-6
105421	Screw, HSM, 10-32 x .375, Clear	3-4
105422	Controller Assy, Ethernet VMEbus Interface	11-1
105451	Fan Door Assembly, 19" EIA Cabinet	7-
105451	Fan Door Assembly, 19" EIA, Cabinet	3-8
105453	Side Panel, 19" EIA, Cabinet, Vented	3-9
105467	CD ROM, 5.25" HH, SCSI	9-14
105469	Accessory Kit, Series 700	3-
105594	Door, Fan, Modified, Series 700	7-8
105609	Cover, Fan, Rear Door, Metal	7-3
105889	Controller Assembly, FDDI	11-1
105891	Cable Assembly, 2M, FDDI	11-12
105892	Relay Assembly, Optical Bypass, FDDI	11-11
105954	Screw, CFM, M4 x 16	5-53
105963-01	Cable Assy, 4.0", Rt Ang QD to Tinned, Brn	7-10
105963-02	Cable Assy, 4.0", Rt Ang QD to Tinned, Blue	7-13
105964	Cable Assembly, Voltage Select Switch	7-14
105984	Memory PCB Assembly, 256 MByte	11-6
105998	Tape, Adhesive Foam, Double Side, 1/2"	6-4

Section 5: Alphabetic Index

This section is an alphabetical index of the Series 700 part descriptions shown in this catalog.

A, B, C

Solbourne Computer, Inc.

PART DESCRIPTION	PART NUMBER	INDEX NO
Accessory Kit, Series 700	105469	3-
Adapter, Half Height, SCSI Tray,	104514	9-11
Ball Stud, #10-32	104209	2-5
Blank, 3U x 482mm, Rack, Series 900	103899	2-2
Blank, Vented, Series 700	103896	2-3
Block, Backplane Mount, Metal, Al, Series 900	103592	5-54
Block, Backplane Mount, Plastic, Series 900	103593	5-55
Bracket, Fan Tray Mount, Series 700	105270	5-16
Breaker, 15A, 250V, 2 Pole	103926	5-33
Cabinet, 19" EIA, 30" x 30" x 22"	105417	3-12
Cable Assembly, 12V Supply Ground	105225	5-9
Cable Assembly, 12V, Kbus, Backplane	105344	5-8
Cable Assembly, 2M, FDDI	105891	11-12
Cable Assembly, 5V Kbus, Chassis, Series 900	104137	5-12
Cable Assembly, 5V Sense	105217	5-11
Cable Assembly, 6.7", QD to M4 Ring, Grn/Yel	105219-04	5-38
Cable Assembly, 7", QD to QD, Blue	105221-06	5-37
Cable Assembly, 7", QD to QD, Brown	105221-05	5-36
Cable Assembly, AC Inlet	105220	5-10
Cable Assembly, Data, SCSI Tray, Series 900	104141	9-3
Cable Assembly, Ethernet, Molded, MultiChannel	104542	11-5
Cable Assembly, Ground, Power Supply	105218-01	5-7
Cable Assembly, Long Kbus Gnd, Chassis	104131	5-13
Cable Assembly, NMI/Reset	105223	5-34
Cable Assembly, Power, Disk and Fan	105216	5-6
Cable Assembly, Power, Disk Tray	105222	6-2
Cable Assembly, Power, VME	105224	5-50
Cable Assembly, Rt Ang QD to M4 Ring	104549-02	7-12
Cable Assembly, SCSI, Data, Disk Tray, Flat	105214	6-3
Cable Assembly, SCSI, Data, Kbus, Round	105242	5-14
Cable Assembly, SCSI, Molded, MultiChannel	104620	11-4
Cable Assembly, VME Data, Series 700	105204	5-49
Cable Assembly, Voltage Select Switch	105964	7-14
Cable Assembly, Voltage, Test Point	105343	5-35
Cable Assy, External, SCSI Shielded, 2 Meter	102104	9-2
Cable Assy, 4.0", Rt Ang QD to Tinned, Brown	105963-01	7-10
Cable Assy, 4.0", Rt Ang QD to Tinned, Blue	105963-02	7-13
Cable Tie, 5.6" x .10"	102020	7-15
Cable, External, SCSI, Shield, 2 Meter	102104	10-2
Cable, Serial Mux	102953	11-9
Card Cage Assembly, 1 Slot, VME, Series 700	105127	5-7
Card Guide, Snap-In, 12" x .175"	105112	5-60
Card Guide, Snap-In, 4.5" x .125"	105111	5-44
CD ROM, 5.25" HH, SCSI	105467	9-14
CG30 PCB Assembly, Color Graphics	101897	11-7

PART DESCRIPTION	PART NUMBER	INDEX NO
Chassis Assembly, Series 700	105131	3-1
Cleaner Head Kit, 1/4" & 1/2" Tape Drives	102606	10-
Cleaner Head Kit, 8mm Tape Drive	102369	9-
Cleaner Head Kit, Tape Drives, 1/4" and 1/2"	102606	9-
Connector ID Label, PDU	105385	4-4
Controller Assembly, Disk Dr, IPI-2, VME Bus	105356	11-2
Controller Assembly, Ethernet VMEbus Interface	105422	11-1
Controller Assembly, FDDI	105889	11-1
Cover Assembly, Cosmetic, Series 700	105129	2-
Cover, 11-slot, Kbus Cage, Series 900	103802	2-7
Cover, Card Cage, Series 700	105132	5-3
Cover, Fan, Rear Door, Metal	105609	7-3
CPU PCB Assembly, Series 5	102247	11-8
CPU PCB Assembly, Series 5E	104844	11-8
Cushion, Front, Shipping	104876	1-4
Cushion, Rear, Shipping	104877	1-3
Disk Drive Assembly, 1.35 Gbyte, SCSI	104936	9-8
Disk Drive Assembly, 327 Mbyte, SCSI	101001	9-7
Disk Drive Assembly, 661Mbyte, SCSI	102235	9-6
Disk Drive Kit, 500 MB, Optional Assembly	105050	6-
Disk Drive, 3.5", SCSI, 500 MB	105046	6-6
Disk Tray Assembly, Series 700	105215	6-
Disk Tray Assembly, Series 700	105215	5-41
Door, Fan, Modified, Series 700	105594	7-8
Fan Door Assembly, 19" EIA Cabinet	105451	3-8
Fan Guard, 120 mm, Metal	102360	7-1
Fan, 120/240 VAC, 105 CFM, 4.7" Sq x 1.5"	105226	7-4
Fan, Series 700	105165	5-20
Filler Panel, 6U, 4HP VME	105211	2-8
Fuse, 10 Amp, 250V, .25 x 1.25, Slo-Blo	103281	3-15
Fuse, 6.3 Amp, 5 mm x 20 mm, Slo-Blo	105250	3-16
Fuseholder, PC Mount, .25 x 1.25, Knob	105252	3-18
Fuseholder, PC Mount, 5 mm x 20 mm, Knob	105251	3-7
Gasket, EMI, .13 x .19 w/3m 950 Adh Back	102416	5-17
Gasket, Plenum, Long, Left Side Cover	105414	3-10
Gasket, Plenum, Short, Left Side Cover	105415	3-11
Grommet, Flexible .9 mm to 1.6 mm	101319	5-27
Identification Label, Longmont	103488	4-6
Kbus/VME Adapter PCB Assembly	105003	11-3
Label Assembly, Series 700	105152	4-
Mechanical Assembly, Series 700	105151	3-
Memory PCB Assembly, 128 MByte	104481	11-6
Memory PCB Assembly, 16 MByte	101548	11-6
Memory PCB Assembly, 256 MByte	105983	11-6
Memory PCB Assembly, 32 MByte	104346	11-6

PART DESCRIPTION	PART NUMBER	INDEX NO	PART DESCRIPTION	PART NUMBER	INDEX NO
Mount, Tie Wrap, Adh Back, 1.0" Sq	104576	5-28	Screw, CPMT, 8-32 x 3/16", Clear	105163	5-2
Mux PCB, Serial, VME, 16 Channel	102705	11-1	Screw, CPMT, 8-32 x 3/16", Clear	105163	5-39
Nut Retainer, #10-32 Thread	104733	3-3	Screw, CPMT, 10-32 x 3/8", Clear	103487	3-2
Nut, Hex, Keps, 6-32, Zn-Cc	104573	7-9	Screw, CPMT, 10-32 x 3/8", Clear	103487	2-4
Pallet, Shipping Carton	104882	1-7	Screw, CPRB, 4 x 10, Zn-Cc	101298	5-57
Panel, Front, External, Series 700	105122	2-1	Screw, HSM, 10-32 x .375, Clear	105421	3-4
Panel, Front, Internal, Series 700	105125	5-1	Shelf, Tray, 19" Rack Mount	103916	8-1
Patch Panel, 19" Mt, Harmonica, 8 Wire, 24 Chan	104521	11-10	Shield, Bottom Tray, Metal, AC Wire, Series 700	105286	5-25
PCB Assembly, Backplane, Kbus, 7 Slot	101289	5-52	Shield, Bottom Tray, Metal, Test Cable	105285	5-23
PCB Assembly, I/O Graphics	102801	5-51	Shipping Assembly	104747	1-
PCB, Backplane, VME, 1 Slot, Series 700	105154	5-45	Side Panel, 19" EIA, Cabinet, Vented	105453	3-9
Power Cord, 12/3 AWG, 2.5m, 20A, SJT, N5/20	105175	3-14	Sleeve, Outer, Shipping Carton	104878	1-5
Power Cord, 18/3 AWG, 3'3" Lg, Type SJT, 10 A	102479	10-3	Spacer, Backplane, Metal, Series 700	105133	5-56
Power Cord, 18/3 AWG, 3'3" Lg, Type SJT, 10 A	102479	9-4	Spacer, Shipping Carton	104880	1-6
Power Cord, 18/3 AWG, 3'3", Type SJT, 10 Amp	102479	3-13	Switch, Rocker, SPST, Diag, Black	102034	5-30
Power Distribution Unit Assembly	105191	3-7	Switch, Rocker, SPST, Mom. On, Gold, Reset	101119	5-29
Power Supply, Series 700	105128	5-4	Switch, Temp Sensor, 57C to 63C, N/C	105358	5-15
Rail, Adapter, Metal, Chassis, Left	105418	3-6	Tape Drive Assembly, QIC 150	101002	9-13
Rail, Adapter, Metal, Chassis, Right	105139	3-5	Tape Drive Assembly, QIC-11/24, OBSO	102275	9-12
Rail, PCB Mounting, Metal, Series 700	105119	5-58	Tape Drive Assly, SCSI, 8mm 2.0 Gbyte, 5.25" FH	102241	9-9
Ramp, Shipping	104881	1-2	Tape Drive Assy, SCSI, 8mm 5.0 Gbyte, OBSO	105359	9-10
Ratings Label, Series 700	105386	4-5	Tape Drive, SCSI, GCR/PR/NRzI/ 1/2"	103751	10-1
Ratings Label, Series 700 Chassis	105413	4-3	Tape, Adhesive Foam, Double Side, 1/2"	105998	6-4
Receptacle, AC Panel Mount, Snap-In, QD, Male	105308	5-31	Tape, Video, 8mm	102370	9-
Receptacle, AC, Panel Mount, Snap-In, QD, Male	105308	7-11	Terminal Block, 4-Way	105323	7-5
Relay Assembly, Optical Bypass, FDDI	105892	11-11	Terminator, SCSI, Sgl In, Sgl Out	101714	5-43
Screw, CBM, 8-32 x 2 1/4"	105357	5-21	Top, Shipping Carton	104879	1-1
Screw, CFM, M4 x 16	105954	5-53	Tray, Fan, Metal, Series 700	105121	5-18
Screw, CPM, 6-32 x 3/8", Zn-Cc	101401	5-59	Tray, Media, Empty, IPI	103915	8-2
Screw, CPM, 6-32 x 3/8", Zn-Cc	101401	9-15	Tray, Media, Loaded, 2.7GB	105271	8-
Screw, CPMT, 10-32 x 3/8", Clear	103487	3-2	Tray, Media, Loaded, 860MB	104236	8-3
Screw, CPMT, 4-40 x 7/16", Zn-Cc, Clear	103872	6-5	Tray, SCSI, Four Bay 110/220 VAC	104820	9-1
Screw, CPMT, 4-40 x 7/16", Zn-Cc, Clear	103872	9-5	Voltage Label, Dangerous	104367	4-1
Screw, CPMT, 6 x8	102371	5-40	Warning Label, PDU	105389	4-7
Screw, CPMT, 6-32 x 1/4, Zn-Cc, Clear	102538	5-19	Warning Label, Power Supply, S4000	103117	4-2
Screw, CPMT, 6-32 x 1/4, Zn-Cc, Clear	102538	5-24	Washer, #8 (M4.0), Ext Tooth Starwasher, Clear	102203	5-22
Screw, CPMT, 6-32 x 1/4, Zn-Cc, Clear	102538	5-26	Washer, M5, Ext Tooth Lock, Type A, Zn-Cc	104210	2-6
Screw, CPMT, 6-32 x 1/4, Zn-Cc, Clear	102538	5-32	Weldment Assembly, Chassis, Series 700	105124	5-5
Screw, CPMT, 6-32 x 1/4, Zn-Cc, Clear	102538	5-42	Weldment Assembly, Disk Tray, Series 700	105123	6-1
Screw, CPMT, 6-32 x 1/4, Zn-Cc, Clear	102538	5-47	Weldment, Card Cage, 1 Slot, VME, Series 700	105116	5-46
Screw, CPMT, 6-32 x 1/4, Zn-Cc, Clear	102538	5-48			
Screw, CPMT, 6-32 x 1/4, Zn-Cc, Clear	102538	6-7			
Screw, CPMT, 6-32 x 1/4, Zn-Cc, Clear	102538	7-6			
Screw, CPMT, 6-32 x 2, Zn-Cc, Clear	105398	7-2			
Screw, CPMT, 6-32 x 3/4, Zn-Cc, Clear	104578	7-7			

