

CDU311

CD-ROM Drive Unit

CDU311
CD-ROM Drive Unit

User's Guide
Mode d'emploi
Bedienungsanleitung

Owner's Record

The model and serial numbers are located on the top side of the drive. Record these numbers in the spaces provided below. Refer to them whenever you call upon your sales representative regarding this product.

Model No. _____ Serial No. _____

WARNING

To prevent fire or shock hazard, do not expose the unit to rain or moisture.

To avoid electrical shock, do not open the cabinet. Refer servicing to qualified personnel only.

Caution:

The use of optical instruments with this product will increase eye hazard.

This unit uses CD-ROM discs with the following mark.

When you use this unit as a CD player, use compact discs with the following mark.

CAUTION	INVISIBLE LASER RADIATION WHEN OPEN. DO NOT STARE INTO BEAM OR VIEW DIRECTLY WITH OPTICAL INSTRUMENTS.
VORSICHT	UNSICHTBARE LASERSTRAHLUNG. WENN ABDECKUNG GEÖFFNET, NICHT IN DEN STRAHL BLICKEN, AUCH NICHT MIT OPTISCHEN INSTRUMENTEN.
ADVARSEL	USYNLIG LASERSTRÅLING VED ÅBNING SE IKKE IND I STRÅLEN-HELLER IKKE MED OPTISKE INSTRUMENTER.
ADVARSEL	USYNLIG LASERSTRÅLING NÅR DEKSEL ÅPNES. STIRR IKKE INN I STRÅLEN ELLER SE DIREKTE MED OPTISKE INSTRUMENTER.
WARNING	OSYNLIG LASERSTRÅLNING NÅR DENNA DEL ÅR ÖPPNAD. STIRRA EJ IN I STRÅLEN OCH BETRakta EJ STRÅLEN MED OPTISKA INSTRUMENT.
VARO!	AVATTAESSA OLET ALTTIINA NÄKYMÄTTÖMÄLLE LASERSÄTEILYLLE. ÄLÄ TUJOTA SÄTEESEEN ÄLÄKÄ KATSO SITÄ OPTISEN LAITTEEN LÄPI.

This label is located on the top of the drive.

Dieser Aufkleber befindet sich an der Oberseite des Gehäuses.

INFORMATION

You are cautioned that any changes or modifications not expressly approved in this manual could void your warranty covering this equipment.

Note: This equipment has been tested and found to comply with the limits for a Class B digital device, pursuant to Part 15 of the FCC Rules. These limits are designed to provide reasonable protection against harmful interference in a residential installation. This equipment generates, uses, and can radiate radio frequency energy and, if not installed and used in accordance with the instructions, may cause harmful interference to radio communications. However, there is no guarantee that interference will not occur in a particular installation. If this equipment does cause harmful interference to radio or television reception, which can be determined by turning the equipment off and on, the user is encouraged to try to correct the interference by one or more of the following measures:

- Reorient or relocate the receiving antenna.
- Increase the separation between the equipment and receiver.
- Connect the equipment into an outlet on a circuit different from that to which the receiver is connected.
- Consult the dealer or an experienced radio/TV technician for help.

CLASS 1
LASER PRODUCT

LASER KLASSE 1
PRODUKT

LUOKAN 1 LASERLAITE
KLASS 1 LASER APPARAT

This CD-ROM Drive Unit is classified as a CLASS 1 LASER PRODUCT. The CLASS 1 LASER PRODUCT label is located on the top of the drive.

Bei diesem CD-ROM-Laufwerk CDU311 handelt es sich um ein Laser-Produkt der Klasse 1. Ein entsprechender Aufkleber mit der Beschriftung LASER KLASSE 1 PRODUKT befindet sich auf der Oberseite des Geräts.

Trademarks

- MS-DOS/Windows are registered trademarks of Microsoft Corporation.
- IBM PC, PC/XT, and PC/AT are registered trademarks of International Business Machines Corporation.
- HP Vectra is a registered trademark of the Hewlett-Packard Company.
- Molex is a registered trademark of Molex, Inc.
- AMP is a registered trademark of AMP, Inc.

Contents

<i>Introduction</i>	5
Features	5
Software Requirement	6
Example of System Setup	6
<i>Location and Function of Parts and Controls</i>	7
Front Panel	7
Rear Panel	8
<i>Precautions</i>	9
<i>Installing the Drive in Your Computer</i>	10
Preparation.....	10
Setting the Jumpers	11
Opening the Computer.....	12
Preparing a Space for the Drive	13
Mounting the Drive.....	14
Connecting the Drive	15
Reassembling the Computer	17
<i>Software Installation</i>	18
Installing the Software Driver for DOS 6.X	18
Installing the Software Driver for Windows 95.....	19
<i>Operating the Drive</i>	22
Starting the Drive	22
Ejecting the Disc	24
How to Use the Disc Locks.....	25
<i>Specifications</i>	27

Introduction

Features

The CDU311 is an internal CD-ROM (Compact Disc Read-Only Memory) drive unit designed for use with an IBM PC, HP Vectra, or compatible computer. It can read as much as 650 Mbytes of digital data stored in a single CD-ROM disc.

The CDU311 has the following features:

General

- 5 1/4 inch half-height drive form factor.
- ATAPI interface compliant (SF-8020).
- Integrated buffer memory.
- Audio CD like drawer loading of a disc without using a caddy.
- Power loading and power eject of a disc. The disc can also be ejected manually.
- Housed in an airtight frame casing.

Supported disc format

- Reads data in CD-ROM, CD-ROM XA, CD-I and CD-I Ready standard formats.
- Reads data in CD-BRIDGE format including PHOTO-CD and VIDEO-CD.
- Reads standard CD-Digital Audio encoded discs.
- Reads CD-EXTRA (CD-PLUS) discs.

Performance

- Supports standard, quadruple and eightfold speed operations with real time error correction.
- Fast access time ensuring reliable high-speed data access.

Audio

- Outputs 16-bit digital audio data over the ATAPI interface.
- Equipped with audio line output and headphones jack for audio CD playback.

Note:

The CDU311 is not equipped with an ADPCM audio circuitry required to support CD-ROM XA and CD-I compatible audio modes. In addition, the unit does not support the CD-I graphic decoding function; it has to be provided by the system.

Software Requirement

To access data on CD-ROM discs, the appropriate device driver and MSCDEX or its equivalent must be installed in your computer. The application software you need for using the data on a CD-ROM disc depends on the type and format of the target data. See the manual supplied with your CD-ROM disc for instructions.

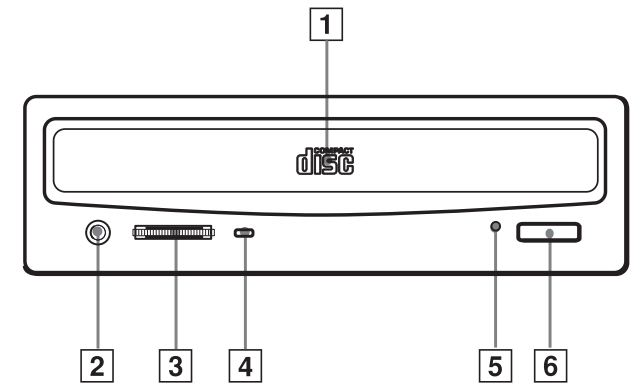
Example of System Setup

To use the CD-ROM drive unit, the following components are required:

- Computer (IBM PC, PC/XT, PC/AT, HP Vectra, or equivalent)
- Floppy disk drive
- IDE interface cable (40 to 40 pin flat cable)
- Software (Device driver, Utilities)

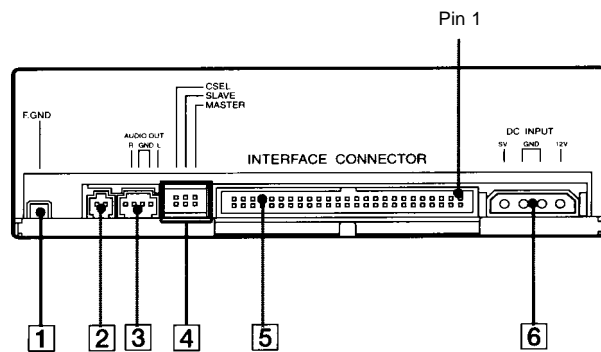
Location and Function of Parts and Controls

Front Panel



- 1 Disc drawer**
Accepts a CD-ROM disc on its tray.
- 2 Headphones jack**
Accepts a stereo headphones set. Analog audio signals are output.
- 3 Volume control**
Controls the volume level of sound output from the headphones jack **2**.
- 4 Busy indicator**
This amber indicator lights up or flashes to indicate one of the following unit conditions:
 - Steady lit: TOC (table of contents) read, seek, data read or audio playback in progress
 - Flashing: Drawer in motion
- 5 Emergency eject hole**
Used to open the disc drawer manually when neither the eject button **6** nor a software command works. Insert a pointed object, such as a paper clip, into this hole and push.
- 6 Eject button**
Opens and closes the disc drawer.

Rear Panel



1 F. GND (Frame ground) tab

Connect to one of the host computer's ground cables when the drive's frame is not in direct contact with the computer.

2 Unused

3 ANALOG AUDIO connector

Outputs analog audio signals.

4 Configuration Jumpers

See page 11 for details.

5 INTERFACE CONNECTOR (IDE bus)

Connect to IDE host adapter using a connecting cable.

6 DC INPUT (power-in) connector

Connect to the power supply of the host computer.

Precautions

■ Installation

- Avoid placing the drive in a location subject to:
 - high humidity
 - high temperature
 - excessive dust
 - mechanical vibration
 - direct sunlight
- The drive can be used in either a horizontal or vertical position.
- Do not force the power cable. It is keyed to protect the drive.

■ Operation

- Do not move the drive when it is in use. Doing so may cause data error and damage the optical pick-up.
- Avoid exposing the drive to sudden changes in temperature as condensation may form on the lens inside the drive. Should the surrounding temperature suddenly rise while the drive is turned on, stop using the drive and leave the power on at least one hour before operating it or turning it off. Operating the drive immediately after a sudden increase in temperature may result in a malfunction.

■ Transportation

- Close the disc drawer before moving the drive.
- Keep the original packing materials. When you need to ship the drive to another location, repacking it in its original container will help you transport it safely.

Installing the Drive in Your Computer

This section provides an example of instruction for installing the CD-ROM drive unit into your personal computer. To connect the CDU311 directly to the PC's IDE port, consult your PC manufacturer for instruction.

Preparation

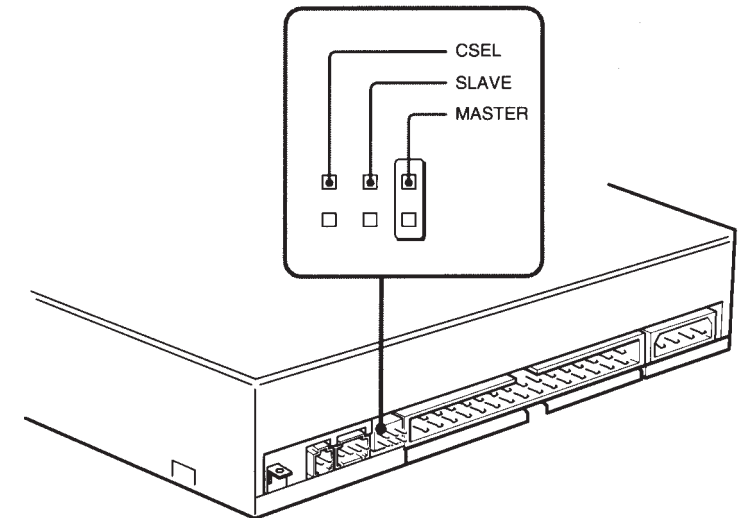
You need the following parts and tools (these are not supplied with the drive):

- A flat-blade screwdriver
- Four screws 3 mm in diameter and 6 mm in length.
- Two mounting rails if your computer has mounting tracks.

Unplug the computer and disconnect the cables attached to the back to give yourself more room to work. Do not turn on the power of the computer before completing the entire installation process.

Setting the Jumpers

Set the jumpers on the rear of the drive in accordance with the configuration of your computer system. The jumpers are preset at the "MASTER" position as illustrated at the factory.



Notes for configuration jumpers:

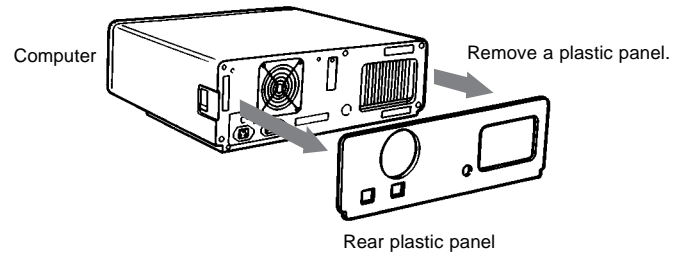
- Designation of the Drive Number is generally set by inserting a jumper pin on either the MASTER or the SLAVE pin.
- When the CDU311 is daisy-chained with a Hard Disk Drive on an IDE Card, set the Hard Disk Drive as MASTER and the CDU311 as SLAVE.
- If the CDU311 is the only device connected to the IDE Card, set the CDU311 as MASTER.

However, it should be noted that some personal computers may use CSEL in lieu of the foresaid MASTER/SLAVE selection. In this case, remove the existing jumpers from MASTER and SLAVE, and set a jumper on CSEL. When the CSEL signal of the interface connector is set low, the drive is designated as Drive 0. When the CSEL is set high, the drive is designated as Drive 1.

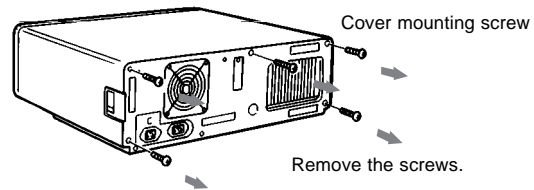
Consult your PC manufacturer, IDE Card manufacturer or dealer for further details.

Opening the Computer

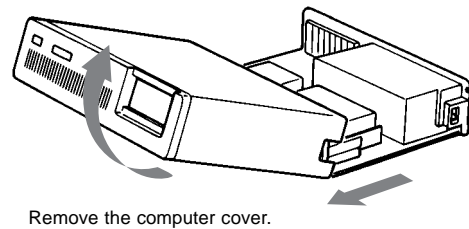
- 1 If your computer has its rear side covered by a plastic panel attached with plastic hook pad, pull it off.



- 2 Remove the cover mounting screws.

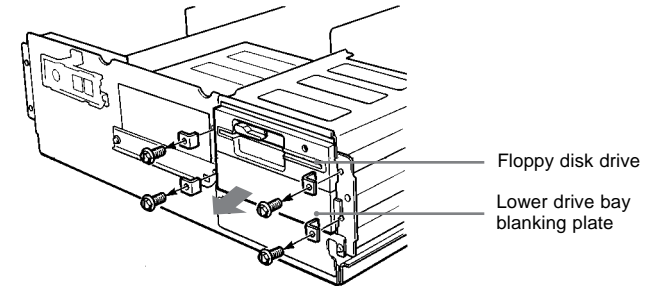


- 3 Remove the cover of the computer.

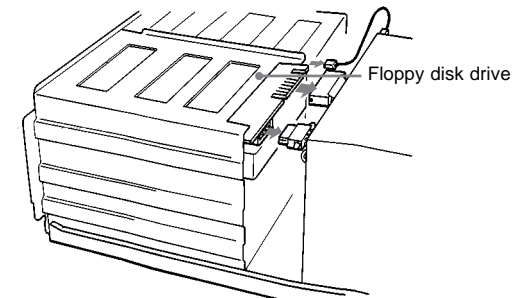


Preparing a Space for the Drive

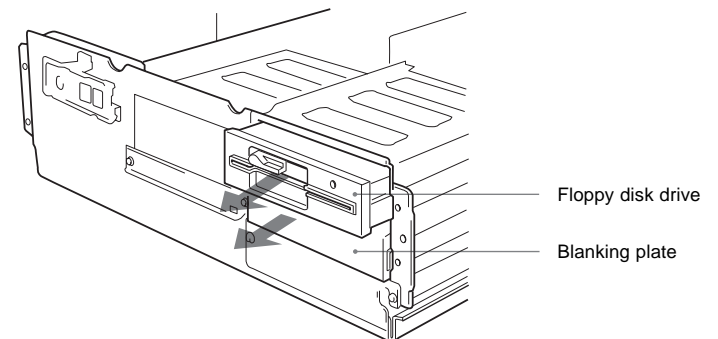
- 1 Remove the screws and brackets securing the floppy disk drive and the lower drive bay blanking plate.



- 2 Disconnect the floppy disk drive.

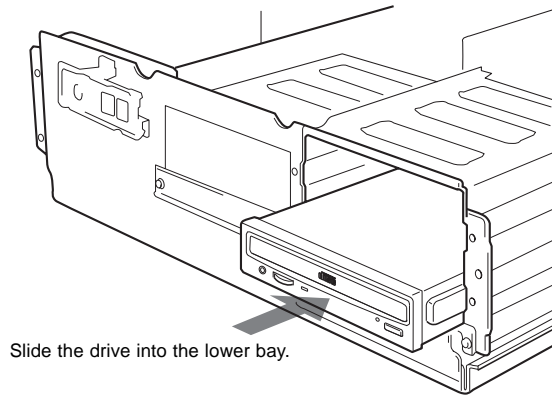


- 3 Remove the floppy disk drive and the blanking plate.



Mounting the Drive

If mounting rails are necessary, attach them to the drive in the same way as your floppy disk drive and slide the drive into the lower drive bay. If mounting rails are not required in your system, screw the drive in place.

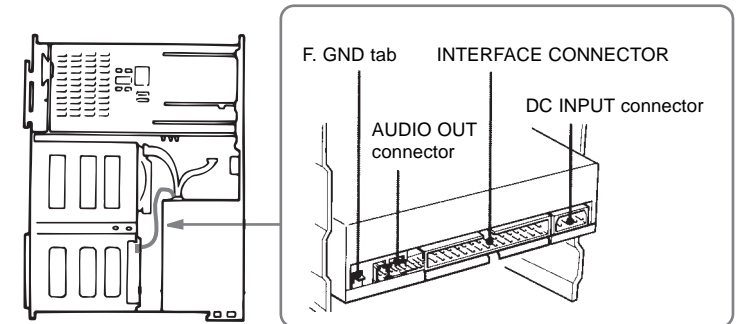


Slide the drive into the lower bay.

Connecting the Drive

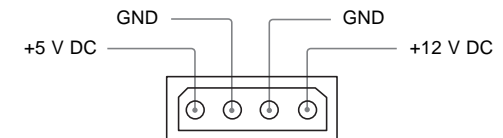
Connect the drive to the computer with the following connectors:

- DC INPUT connector
- F. GND tab (unless the drive's frame is in direct contact with the computer's chassis).
- AUDIO OUT connector (if you plan to connect audio equipment)
- INTERFACE CONNECTOR.



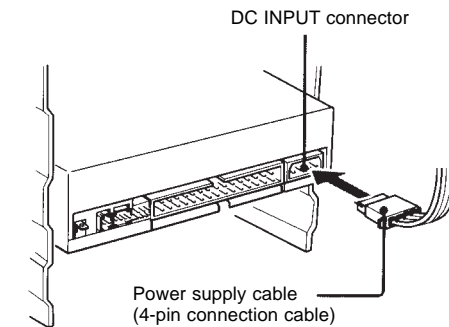
■ DC INPUT connector

The pin assignment is as follows.



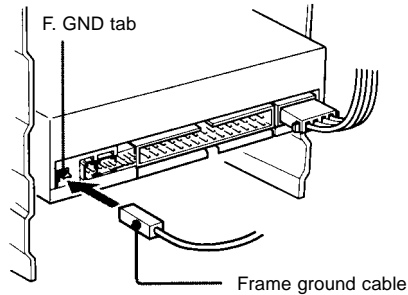
After matching the beveled edges, insert the plug of the power supply cable to the DC INPUT connector and push it firmly in place.

Caution: Improper connection may damage the drive and void the warranty.



■ F. GND tab

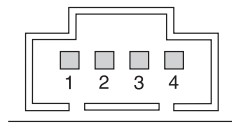
Connect the F. GND tab to one of the host computer's ground cables unless the drive's frame is in direct contact with the computer's chassis (a situation not likely under normal circumstances).



The frame ground cable recommended is the one using an AMP 1-480435-0 housing and 170203-2 or 60711-1 contact.

■ AUDIO OUT connector

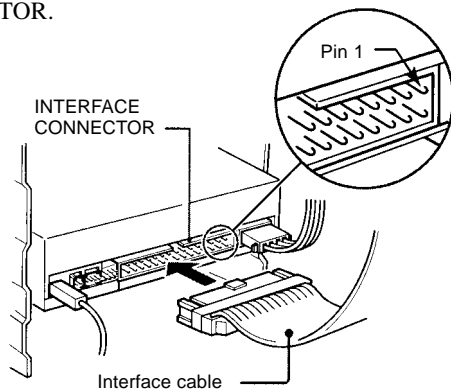
The pin assignment is as follows:



pin	Audio Signal
1	R signal
2	R ground
3	L ground
4	L signal

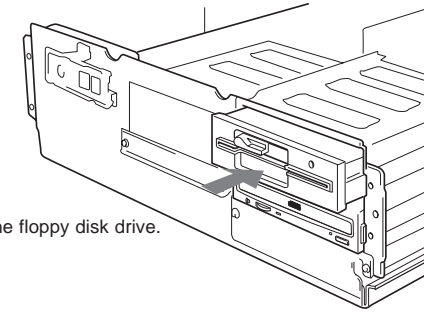
■ INTERFACE connector

Firmly insert one end of the interface cable into the INTERFACE CONNECTOR.



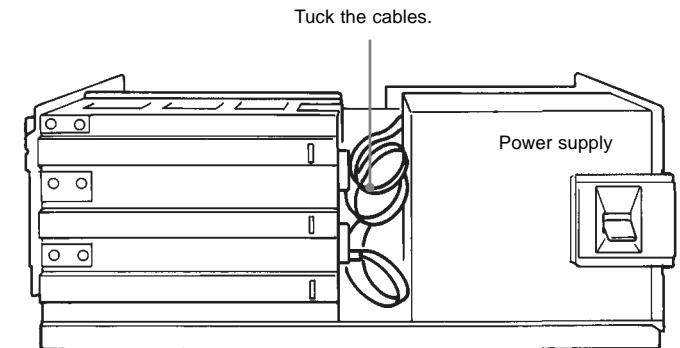
Reassembling the Computer

- 1 Reinstall the floppy disk drive in the top drive bay.



Reinstall the floppy disk drive.

- 2 Reconnect the interface cables to the floppy disk drive.
- 3 Fasten the screws and front brackets as they were before.
- 4 Tuck the cables behind the drives so that they do not protrude above the power supply module.



- 5 After checking the following points, slide the computer's cover on and fasten the cover mounting screws at the back of the computer.
 - Are the connections between the drive and computer correct?
 - Are the jumpers set to the appropriate positions?
- 6 Remount the rear plastic panel and refer back to the proper installation section if you answered "no" to either of the questions above.

Software Installation

The installation diskette enclosed in the package contains two software items:

- Installer
- Device driver for MS-DOS/Windows 3.1

Note:

Both Microsoft CD-ROM Extensions (MSCDEX) or equivalent and Sony's Device Driver are required to run the CDU311 under the MS-DOS and Windows 3.1 environment.

Therefore, prior to loading the installation diskette, make sure that the MSCDEX is in the DOS directory of your hard disk drive (C:\DOS). Although MSCDEX is included in the most up-to-date MS-DOS (ver. 6.2), you may need to obtain the software from your PC dealer if you do not have it.

The installer will automatically load MSCDEX via the AUTOEXEC.BAT file and installs the Device Driver via the CONFIG.SYS file, if MSCDEX is already in Drive C:\DOS.

Installing the Software Driver for DOS 6.X

Load the diskette into the floppy disk Drive A, and type:

```
>A:\INSTALL
```

and then, press the Enter key.

After installation, the following lines are added to CONFIG.SYS and AUTOEXEC.BAT files.

in CONFIG.SYS:
Device=C:\DEV\ATAPI_CD.SYS /D:mscd000 /I:0

in AUTOEXEC.BAT:
C:\DOS\MSCDEX.EXE /D:mscd000 /M:12 /V

Installing the Software Driver for Windows 95

■ Case 1: Windows 95 standard installation

There should be no problem installing the CD-ROM drive under Windows 95. The following instructions will guide you through the installation process. For details on each installation step, please refer to the relevant note.

After Hardware installation (make sure Master or Slave setting is correct)

Run Windows 95 (see Note a).

- If the CD-ROM device is recognized by Windows → End
- If the CD-ROM device is not recognized by Windows → See next instruction

Click under My Computer; Control Panel; Add New Hardware icon (see Note b).

- If the CD-ROM device is recognized by Windows → End
- If the CD-ROM device is not recognized by Windows → See next instruction

Start the SETUP.EXE program from the installation disk (see Note c).

- If the CD-ROM device is recognized by Windows → End
- If the CD-ROM device is not recognized by Windows → See next instruction

Get in contact with your dealer to get further instructions.

Note a)

Just start Windows 95 and it should automatically recognize the new Sony CD-ROM drive and load Windows 32-Bit device driver.

Note b)

Click on the Start, Settings, Control Panel and Add New Hardware icon. The Add New Hardware Wizard window will appear. Click on the Next button continuously. Windows 95 will detect the new configuration. Reboot the computer, run Windows 95 and verify the 8X CD-ROM drive setting by clicking on the My Computer icon. The CD-ROM drive icon will appear.

Note c)

Insert the disk labeled “MS-DOS Device Driver & Utilities” into the floppy drive. Click on the Start button on the pop up menu and select the Run option. When the dialog box appears, type

```
A:\INSTALL
```

and click on the OK button. The installation menu will appear. Follow the instructions of the INSTALLATION utility. Reboot the computer, run Windows 95, and verify the 8X CD-ROM drive setting by clicking on the My Computer icon. The CD-ROM drive icon will appear.

■ **Case 2: Using CD-ROM drive under MS-DOS by restarting computer in MS-DOS mode.**

If you want to use CD-ROM drive under MS-DOS by restarting computer in MS-DOS mode, you should follow this installation procedure.

Insert the disk labeled “MS-DOS Device Driver & Utilities” into the floppy drive. Execute INSTALL.EXE, then the installation menu will appear. Follow the instructions of the INSTALLATION utility.

After that, use your DOS editor to edit the AUTOEXEC.BAT file by typing

```
C:\EDIT AUTOEXEC.BAT
```

and insert REM at the beginning of the following line as shown:

```
REM C:\WINDOWS\COMMAND\MSCDEX.EXE /D:mecd000 /M:12 /V
```

Save this modification by selecting File, Save, and Exit from the editor. Then use your DOS editor to edit the DOSSTART.BAT file by typing

```
C:\EDIT C:\WINDOWS\DOSSTART.BAT
```

and add the following line:

```
C:\WINDOWS\COMMAND\MSCDEX.EXE /D:mecd000 /M:12 /V
```

Save this modification by selecting File, Save, and Exit from the editor. Now restart your computer, run Windows 95, and choose restart computer in MS-DOS mode. The CD-ROM drive is now available in MS-DOS mode.

■ **Case 3: Using CD-ROM drive under MS-DOS by previous MS-DOS mode or command prompt mode only.**

If you want to use CD-ROM drive under MS-DOS by Previous MS-DOS mode or Command Prompt only mode, you should follow this installation procedure.

Insert the disk labeled “MS-DOS Device Driver & Utilities” into the floppy drive. Execute INSTALL.EXE, then the installation menu will appear.

Follow the instructions of the INSTALLATION utility.

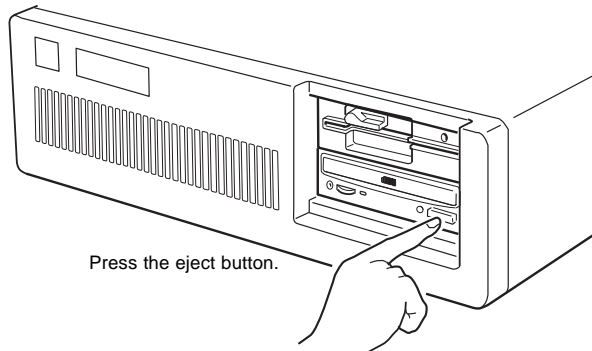
After restarting Previous MS-DOS mode or Command Prompt only mode, the CD-ROM drive will now be available in these modes.

Operating the Drive

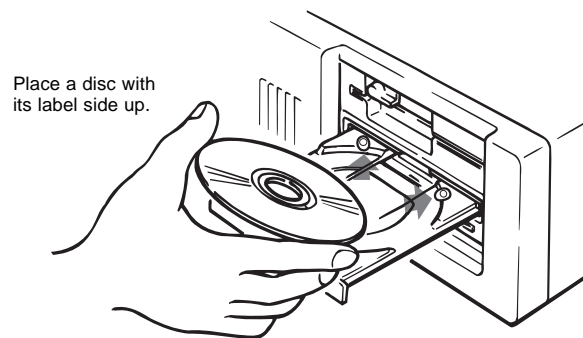
This section describes how to start the drive and eject a disc.

Starting the Drive

- 1 Turn on the power of your computer.
- 2 Press the eject button.
The drawer comes out automatically.

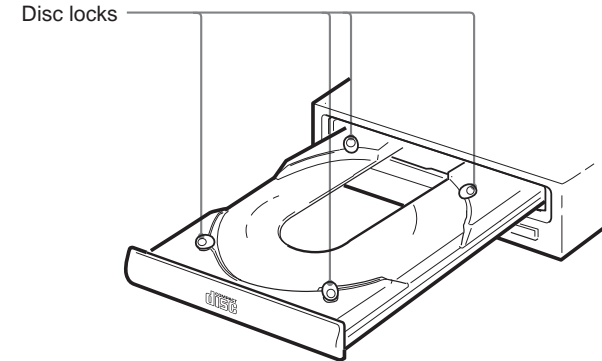


- 3 Place a disc in the drawer with its label side up.



Note:

When the drive is set up in vertical position, use the disc locks to prevent your disc from falling. See “How to Use the Disc Locks” on page 22 for details.



- 4 Gently push the drawer or press the eject button to close the drawer.
The drive may begin reading the Table of Contents (TOC) data when it accepts the disc. The busy indicator lights up in amber while the drive is reading the TOC.
For subsequent drive operations, follow the instructions provided with the application software you are using.

Note:

The busy indicator stays lit in amber if:

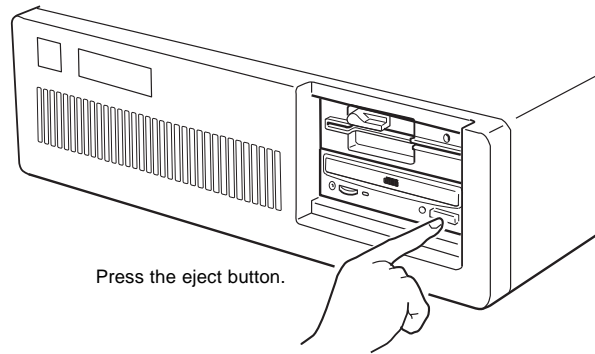
- the disc is not properly placed on the loading tray
- a malfunction occurs.

In either case, eject the disc and place it in the loading tray again making sure that it sits properly in the tray. If doing this does not solve the problem and the busy indicator still remains lit in amber, consult your dealer or qualified service personnel.

Caution: Do not forcibly close the disc drawer. Applying excessive force may damage the loading mechanism. The tray’s mechanism is designed to operate with a “feather touch”.

Ejecting the Disc

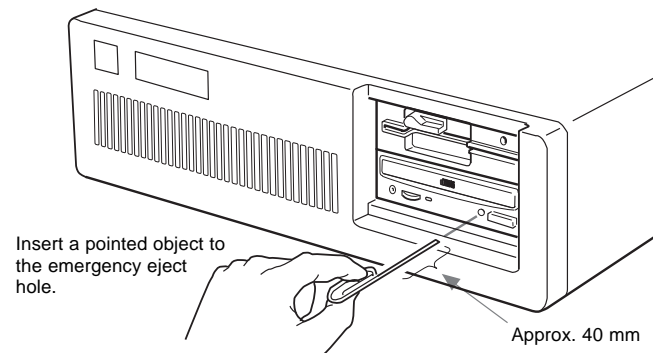
To eject the disc, press the eject button on the front panel. The drawer comes out automatically.



■ Opening the drawer manually in an emergency

You can open the drawer manually when it fails to come out by means of the eject button or software commands. To do this, follow the procedure below:

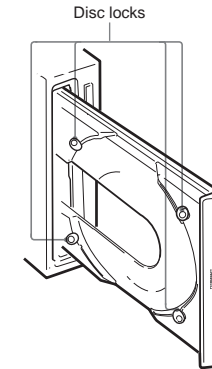
- 1 Turn off the power of your computer.
- 2 Insert a pointed object, such as a paper clip, into the emergency eject hole and push.



After removing a disc from the drive unit, consult your dealer or qualified service personnel.

How to Use the Disc Locks

The disc tray has four disc locks that prevent the disc from falling when the drive is set up in vertical position.

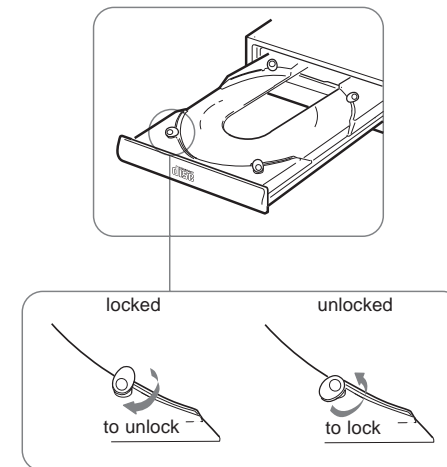


Note:

When the drive is used in horizontal position, you do not need to lock the disc.

■ Locking and unlocking

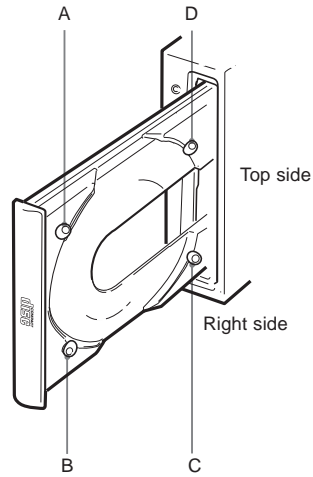
All of the four locks are set in the unlocked position (facing outward) when the drive is shipped from the factory. To set the lock in the locked position, turn it with your fingers until you hear a click so that it faces inward.



Specifications

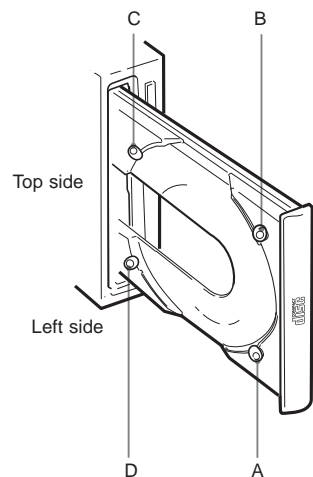
When the drive's right side is down

To facilitate disc handling, set the disc locks B, C and D into the locked position, and leave the disc lock A in the unlocked position.



When the drive's left side is down

To facilitate disc handling, set the disc locks A, C and D into the locked position, and leave the disc lock B in the unlocked position.



■ General

Host interface	ATAPI compliant
Disc	Acceptable discs
	CD-Digital Audio discs
	CD-ROM mode-1 data discs
	CD-ROM mode-2 form 1 / form 2 data discs
	CD-ROM XA discs (readable)
	Audio-combined CD-ROM discs
	CD-I discs (readable)
	CD-I Ready discs (readable)
	CD Bridge discs
	Photo CD discs (single and multi session)
	CD EXTRA discs
Rotational speed	
Innermost track	530 min ⁻¹ (530 rpm/1X) 2120 min ⁻¹ (2120 rpm/4X) 4240 min ⁻¹ (4240 rpm/8X)
Outermost track	200 min ⁻¹ (200 rpm/1X) 800 min ⁻¹ (800 rpm/4X) 1600 min ⁻¹ (1600 rpm/8X)

■ Drive performance

Data transfer rate	
Sustained rate	150 kBytes/s (1X) 600 kBytes/s (4X) 1200 kBytes/s (8X)
Burst rate	11.1 MBytes/s (PIO mode 3) I/O CHANNEL READY supported 13.3 MBytes/s (Multiword DMA mode 1)
Access time	
(Random stroke)	160 ms (typical/8X)

■ Reliability

Read error rate (includes retry, with a standard disc)	
L-EC on	1 block/10 ¹² bits
L-EC off	1 block/10 ⁹ bits

■ Audio

Output level	
Line out	0.75 V at 47 kΩ
Headphone	0.55 V at 32 Ω

■ Environmental conditions

Operating	
Temperature	5° C to 50° C (41° F to 122° F)
Humidity	10 % to 90 % (Max wet bulb 29° C)
Atmosphere	Non-condensing
Non-operating/Storage	
Temperature	-30° C to 50° C (-22° F to 122° F)
Humidity	10 % to 90 %
Atmosphere	Non-condensing

■ Dimensions and Mass

Dimensions	146 x 41.4 x 208 mm (w/h/d) (5 ¾ x 1 ⅞ x 8 ¼ inches)
Mass	0.80 kg (1 lb 13 oz)

■ Power requirement

Voltage	+5 V ± 5 % DC and +12 V DC ± 10 %
Current	Tray Open/Close +5 V DC; ≤ 800 mA +12 V DC; ≤ 1000 mA Seeking and Spin Up/Down +5 V DC; ≤ 400 mA +12 V DC; ≤ 1800 mA Hold Track State +5 V DC; ≤ 400 mA +12 V DC; ≤ 1400 mA Standby/Sleep +5 V DC; ≤ 150 mA +12 V DC; ≤ 5 mA

■ Mating Connectors

DC INPUT connector	Housing: AMP 1-480424-0 or equivalent
Pin header:	AMP 170147-1 or 4 for AWG 24-18 AMP 170120-1 or 4 for AWG 20-14
INTERFACE CONNECTOR	AMP 746285-9 or equivalent
AUDIO OUT connector	Molex 70066C or G, 700400C or G and 70430C or G, or equivalent

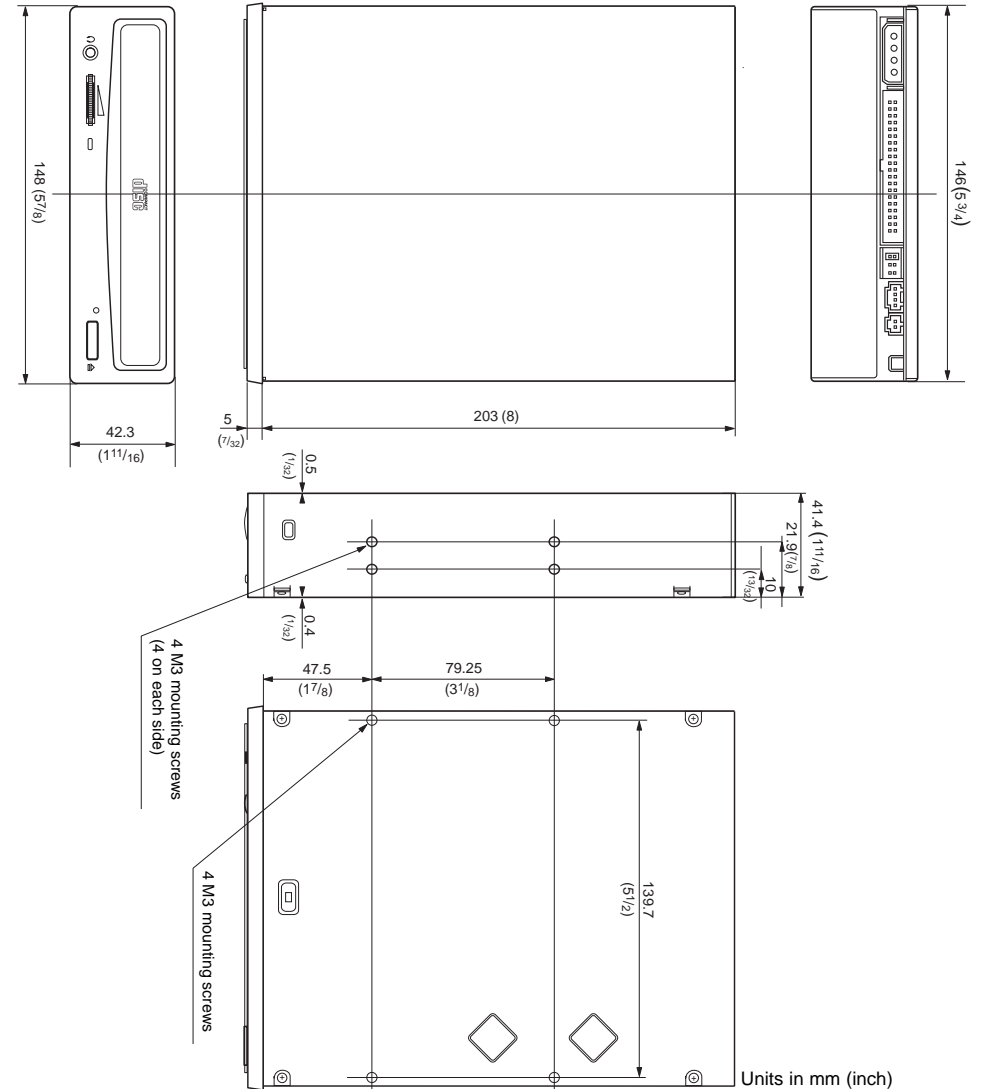
■ Laser

Type	Semiconductor laser GaAlAs
Wave length	780 nm
Output power	0.6 mW
Beam divergence	53.4 ° ± 1.5 °

■ Dimension diagram

Important:

The overhang of the screws should not exceed 6.0 mm from the surface of the side panels or the bottom plate.



Design and specifications are subject to change without notice.