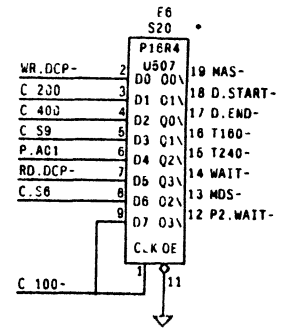
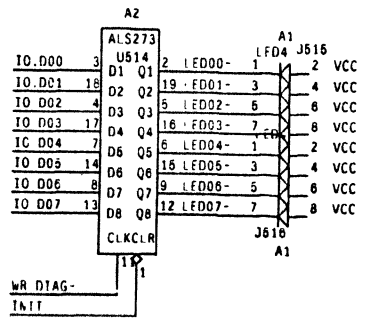
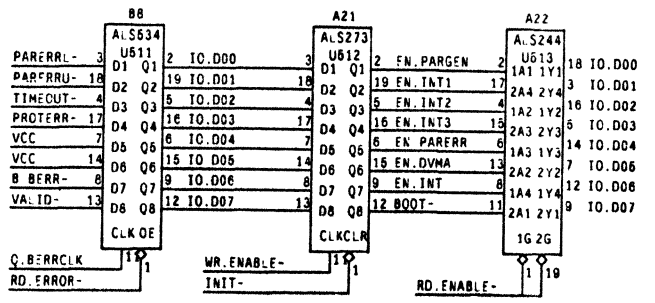
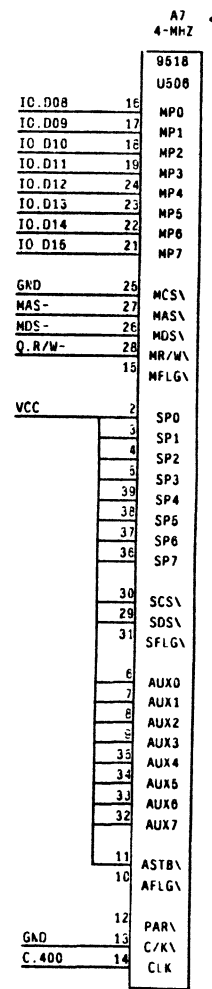
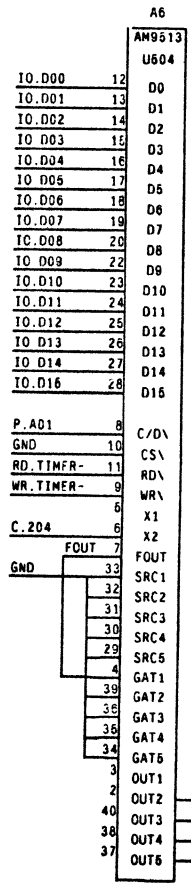
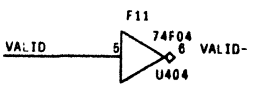
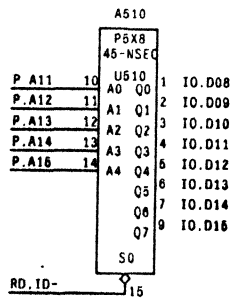
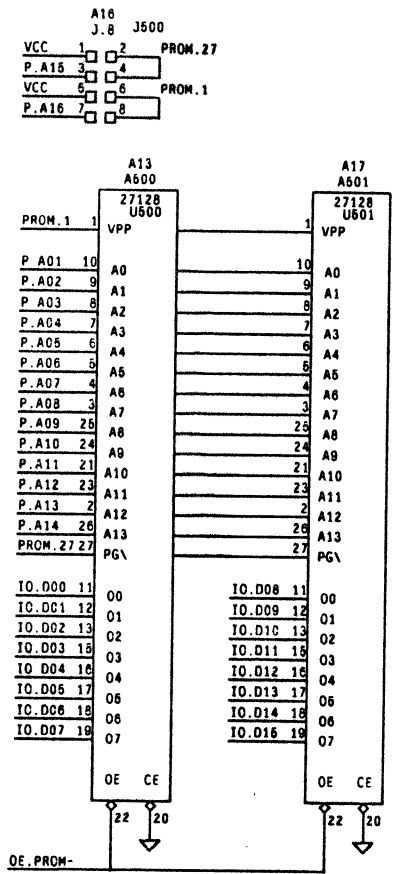
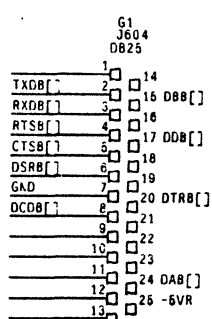
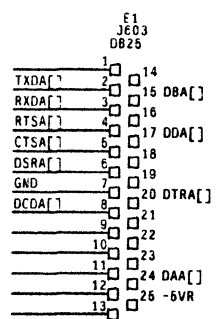
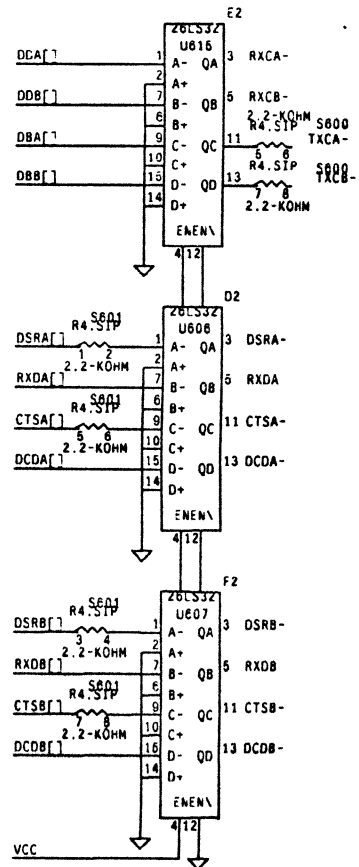
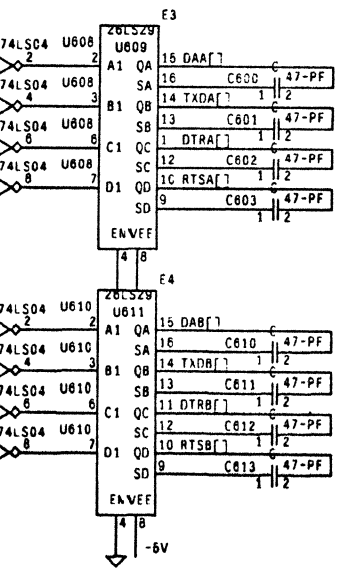
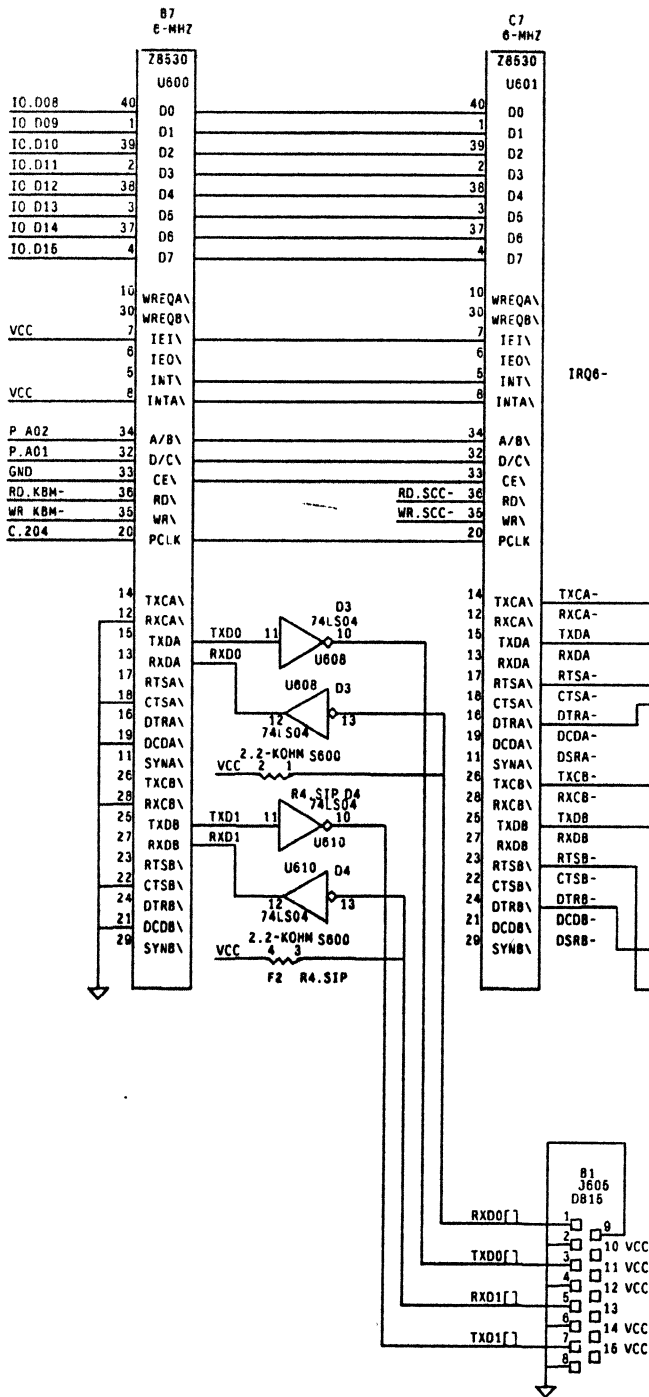
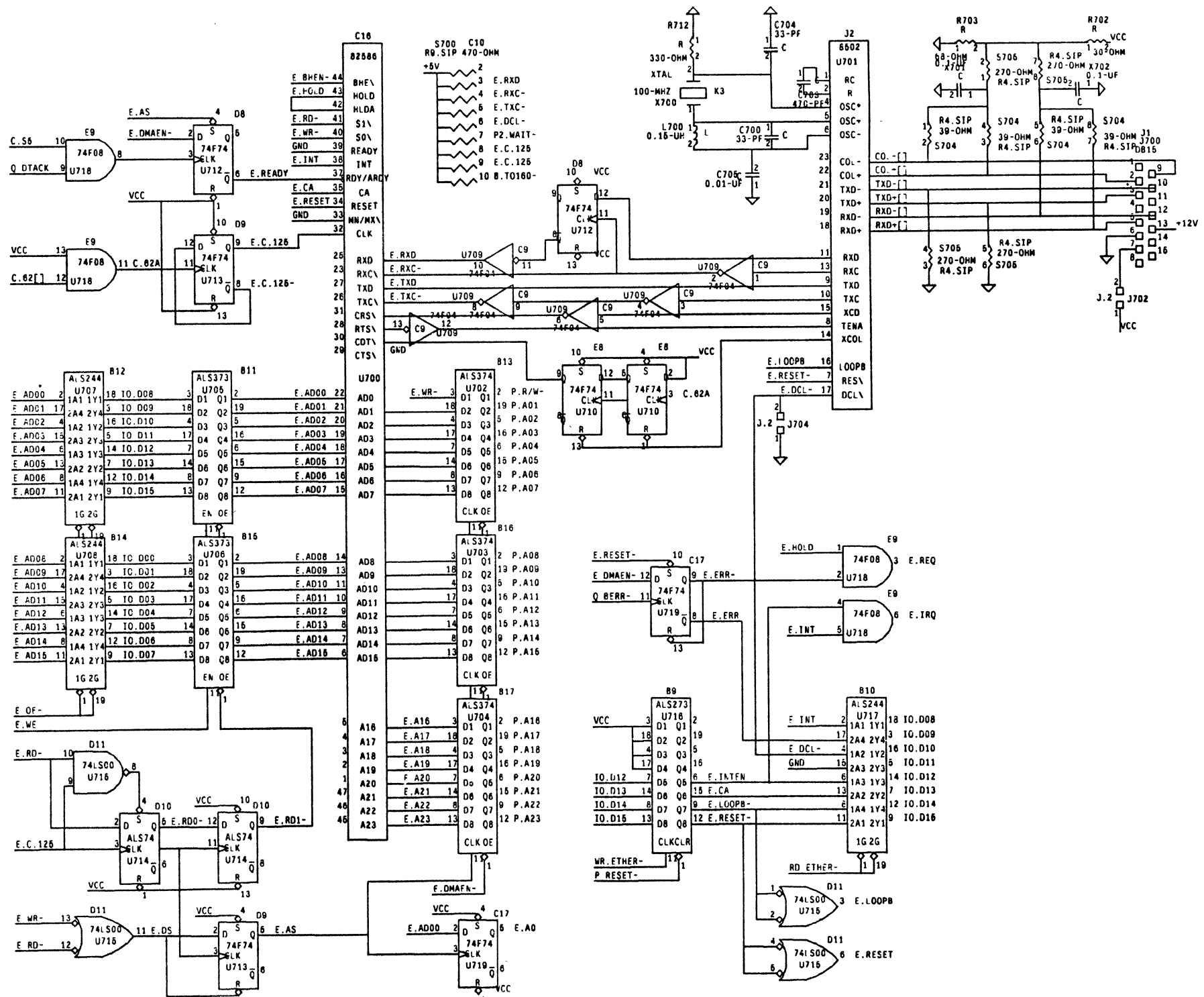
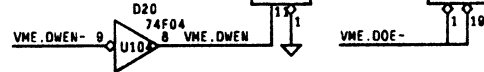
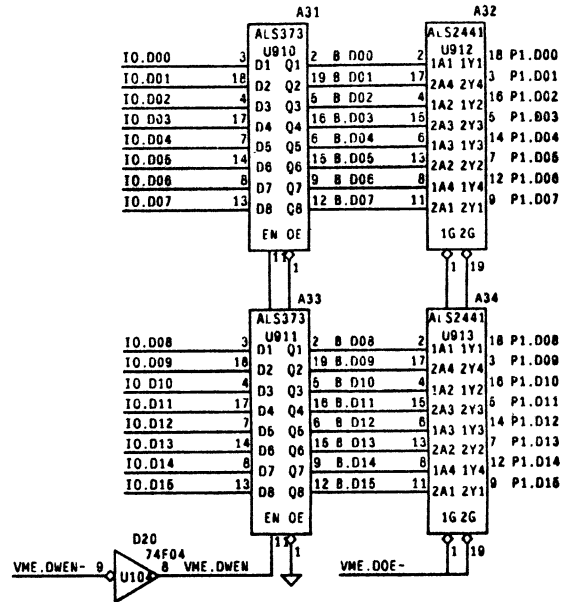
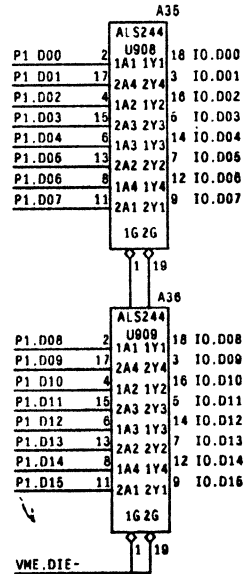
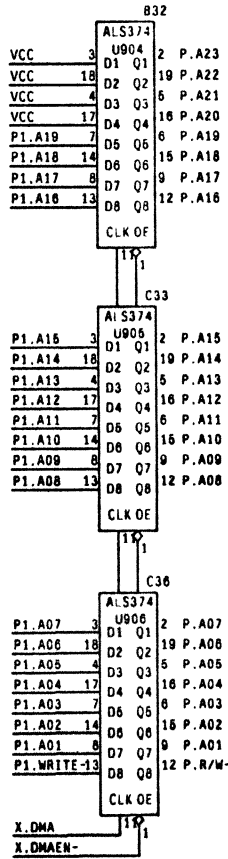
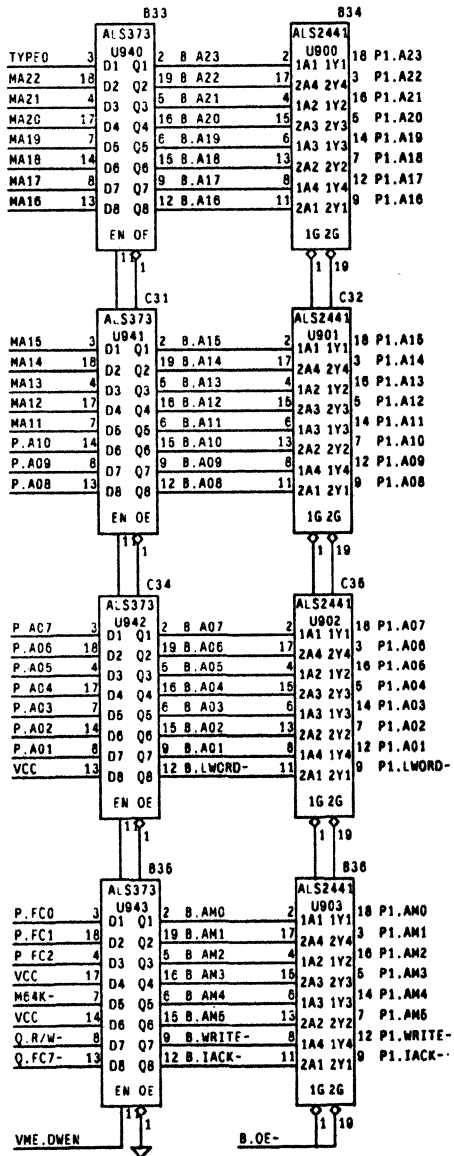


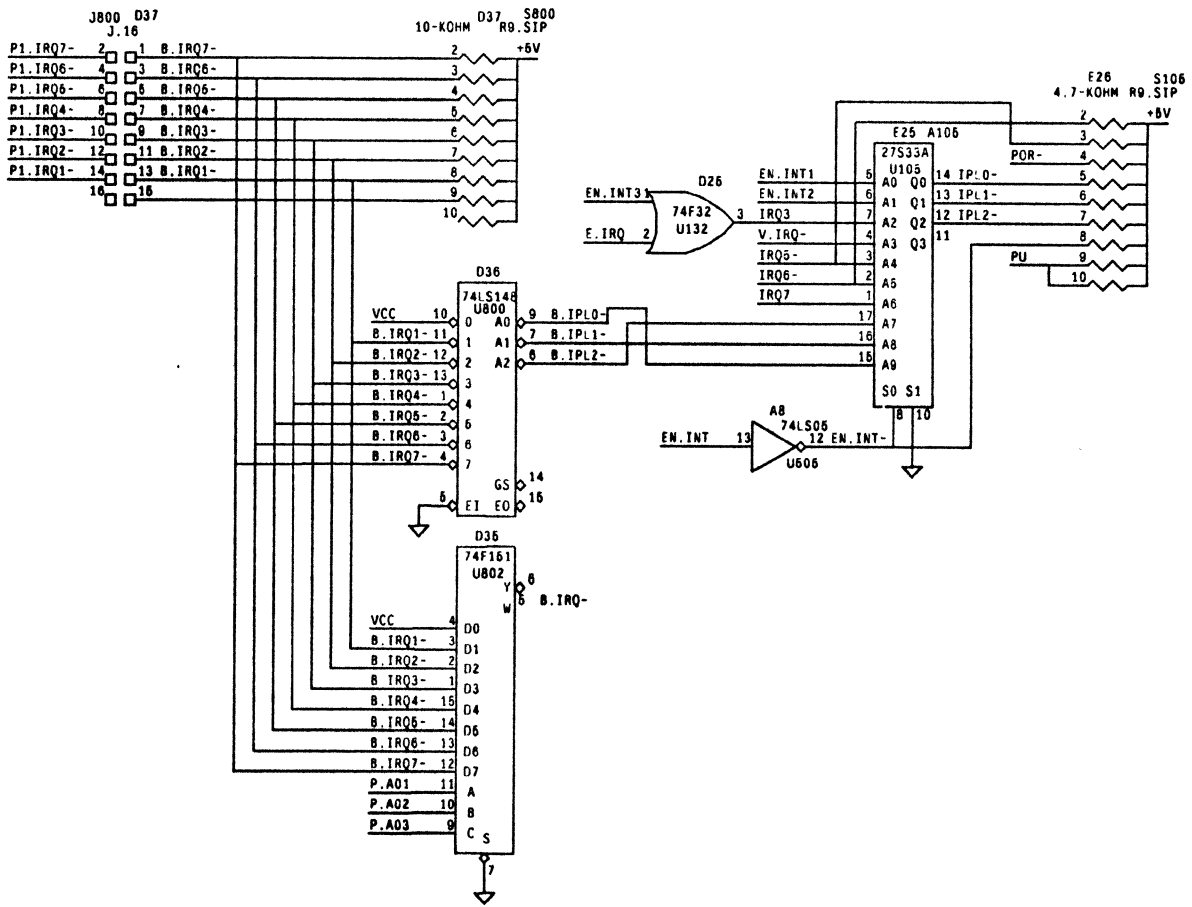
PARERRL- 10
 PARERRU- 9
 W130











TITLE
 PROPRIETARY SMI, SUN-2.

FILE
 A10[1SM1]

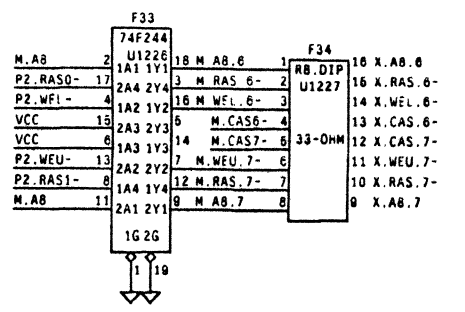
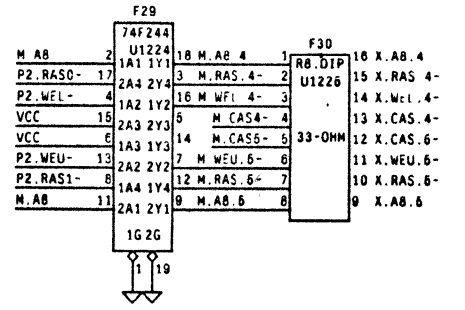
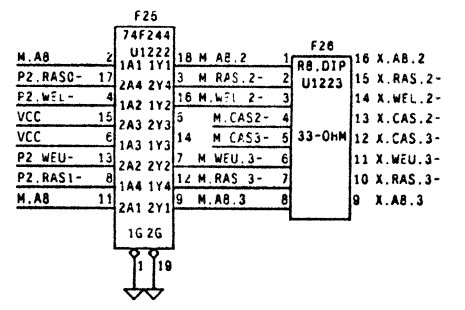
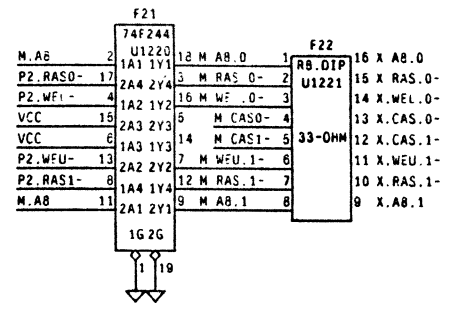
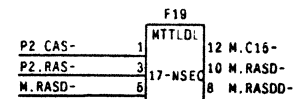
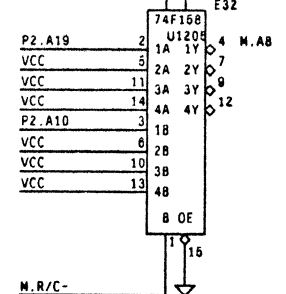
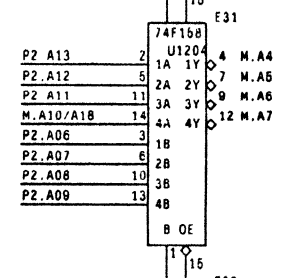
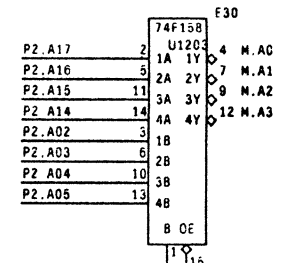
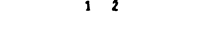
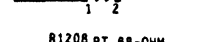
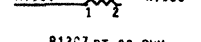
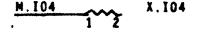
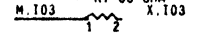
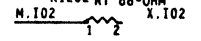
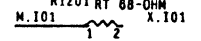
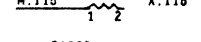
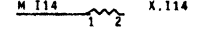
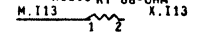
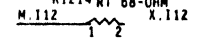
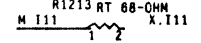
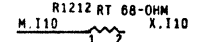
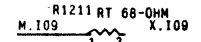
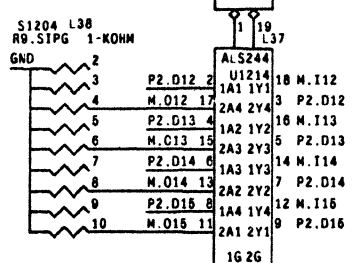
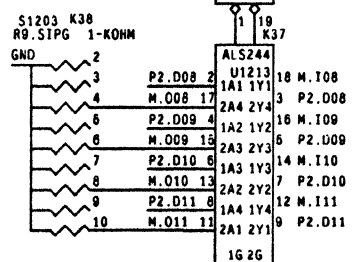
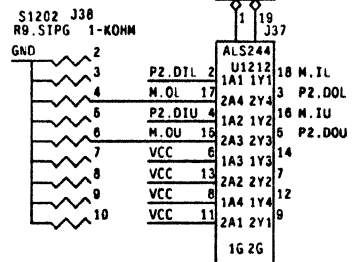
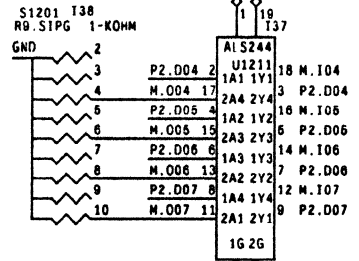
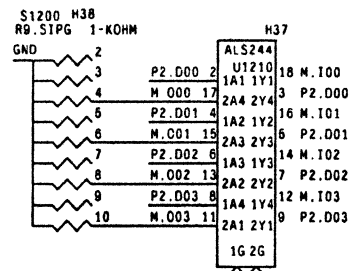
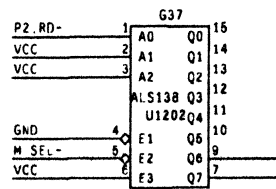
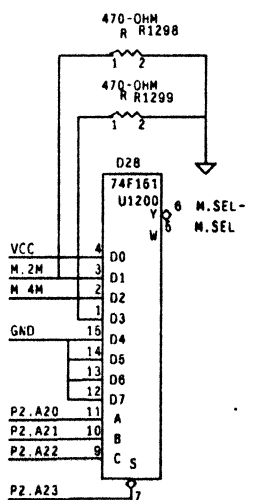
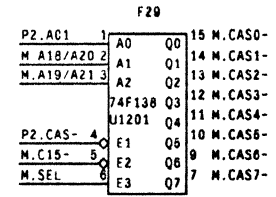
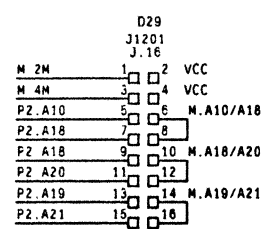
DATE
 7-Oct-84 23:26

PAGE
 10

P96 A39		
1	P1.D00	33 P1.D01
2	P1.D01	34 P1.BBSY-
3	P1.D02	35 P1.ACFAIL-
4	P1.D03	36 P1.BG0IN-
5	P1.D04	37 P1.BG0OUT-
6	P1.D06	38 P1.BG1IN-
7	P1.D06	39 P1.BG1OUT-
8	P1.D07	40 P1.BG2IN-
9	GND	41 P1.BG2OUT-
10	P1.SYSCLK	42 P1.BG3IN-
11	GND	43 P1.BG3OUT-
12	P1.DS1-	44 P1.BR0-
13	P1.DS0-	45 P1.BR1-
14	P1.WRITE-	46 P1.BR2-
15	GND	47 P1.BR3-
16	P1.DTACK-	48 P1.AM0
17	GND	49 P1.AM1
18	P1.AS-	50 P1.AM2
19	GND	51 P1.AM3
20	P1.TACK-	52 GND
21	P1.TACKIN-	53 P1.SERCLK
22	P1.TACKOUT-	54 P1.SERDAT
23	P1.AM4	55 GND
24	P1.A07	56 P1.IRQ7-
25	P1.A06	57 P1.IRQ6-
26	P1.A05	58 P1.IRQ5-
27	P1.A04	59 P1.IRQ4-
28	P1.A03	60 P1.IRQ3-
29	P1.A02	61 P1.IRQ2-
30	P1.A01	62 P1.IRQ1-
31	VCC	63 P1.+6VSTDBY
32	VCC	64 VCC
65	P1.D08	
66	P1.D09	
67	P1.D10	
68	P1.D11	
69	P1.D12	
70	P1.D13	
71	P1.D14	
72	P1.D16	
73	GND	
74	P1.SYSF-	
75	P1.BERR-	
76	P1.SYSR-	
77	P1.LWORD-	
78	P1.AM6	
79	P1.A23	
80	P1.A22	
81	P1.A21	
82	P1.A20	
83	P1.A19	
84	P1.A18	
85	P1.A17	
86	P1.A16	
87	P1.A16	
88	P1.A14	
89	P1.A13	
90	P1.A12	
91	P1.A11	
92	P1.A10	
93	P1.A09	
94	P1.A08	
95	VCC	
96	VCC	

P96 F39		
1	P2.A00	33 P1102
2	P2.A01	34 VCC
3	P2.A02	35 GND
4	P2.A03	36 GND
5	P2.A04	37 VCC
6	P2.A06	38 GND
7	P2.A06	39 VCC
8	P2.A07	40 GND
9	P2.A08	41 VCC
10	P2.A09	42 GND
11	P2.A10	43 VCC
12	P2.A11	44 GND
13	P2.A12	45 VCC
14	P2.A13	46 GND
15	P2.A14	47 VCC
16	P2.A16	48 GND
17	P2.A16	49 VCC
18	P2.A17	50 GND
19	P2.A18	51 VCC
20	P2.A19	52 GND
21	P2.A20	53 VCC
22	P2.A21	54 GND
23	P2.A22	55 VCC
24	P2.A23	56 GND
25	P2.D00	57 VCC
26	P2.D01	58 GND
27	P2.D02	59 +12V
28	P2.D03	60 +12V
29	P2.D04	61 -12V
30	P2.D05	62 -12V
31	P2.D06	63 GND
32	P2.D07	64 VCC
65	P2.RAS-	
66	GND	
67	P2.RASO-	
68	GND	
69	P2.RAS1-	
70	GND	
71	P2.CAS-	
72	GND	
73	P2.RD-	
74	GND	
75	P2.WEL-	
76	GND	
77	P2.WEU-	
78	GND	
79	P2.WAIT-	
80	GND	
81	P2.IWIT-	
82	GND	
83	P2.DIL	
84	GND	
85	P2.DIU	
86	GND	
87	P2.D0L	
88	P2.D0U	
89	P2.D08	
90	P2.D09	
91	P2.D10	
92	P2.D11	
93	P2.B12	
94	P2.D13	
95	P2.D14	
96	P2.D16	

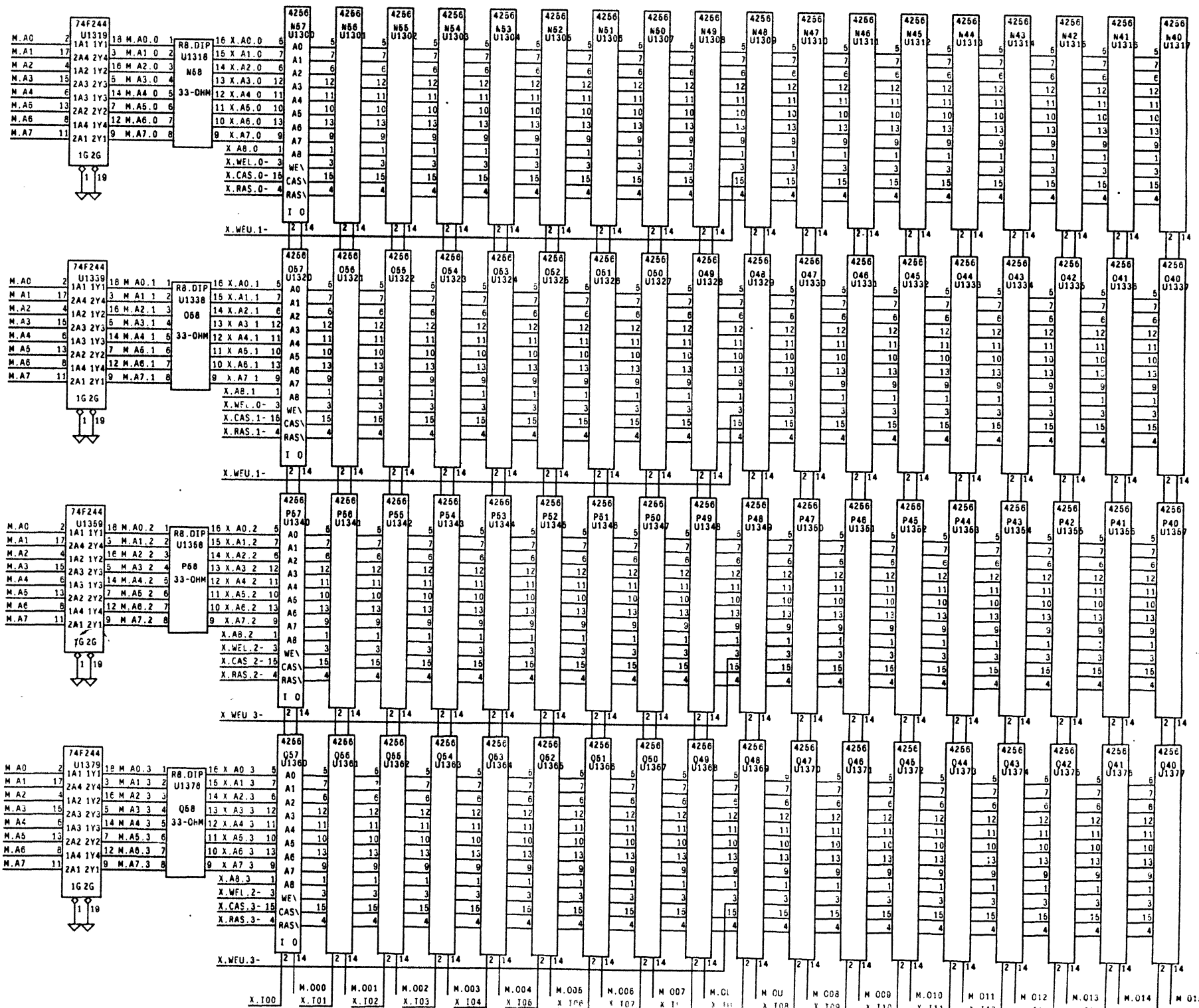
P96 J39		
1	VCC	33 P1103
2	VCC	34 GND
3	VCC	35 GND
4	VCC	36 GND
5	VCC	37 GND
6	VCC	38 GND
7	VCC	39 GND
8	VCC	40 GND
9	VCC	41 GND
10	VCC	42 GND
11	VCC	43 GND
12	VCC	44 GND
13	VCC	45 GND
14	VCC	46 GND
15	VCC	47 GND
16	VCC	48 GND
17	VCC	49 GND
18	VCC	50 GND
19	VCC	51 GND
20	VCC	52 GND
21	VCC	53 GND
22	VCC	54 GND
23	VCC	55 GND
24	VCC	56 GND
25	VCC	57 GND
26	+12V	58 GND
27	+12V	59 GND
28	-12V	60 GND
29	-12V	61 GND
30		62 GND
31		63 GND
32		64 GND
65	GND	
66	GND	
67	GND	
68	GND	
69	GND	
70	GND	
71	GND	
72	GND	
73	GND	
74	GND	
75	GND	
76	GND	
77	GND	
78	GND	
79	GND	
80	GND	
81	GND	
82	GND	
83	GND	
84	GND	
85	GND	
86	GND	
87	GND	
88	GND	
89	GND	
90	+12V	
91	+12V	
92	-12V	
93	-12V	
94		
95		
96		



PROPRIETARY SMI, SUN-2, MEMORY

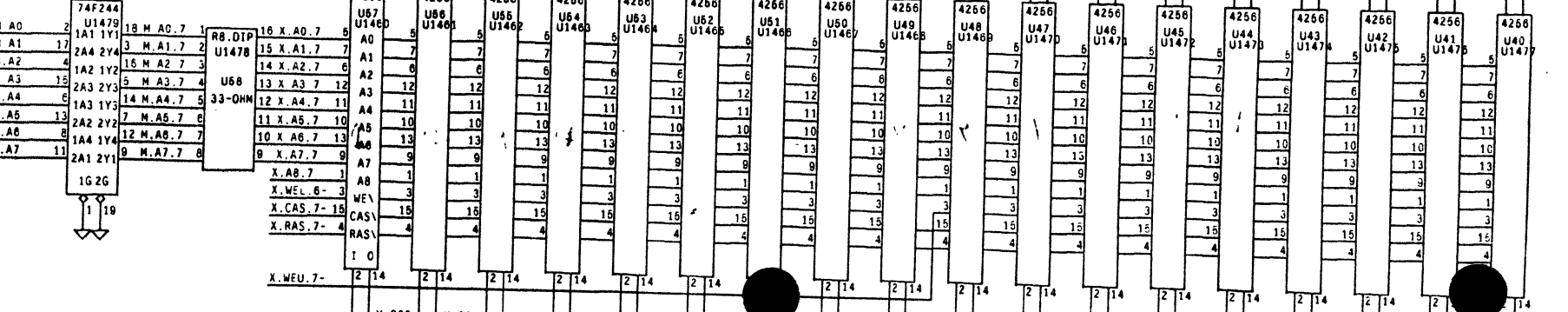
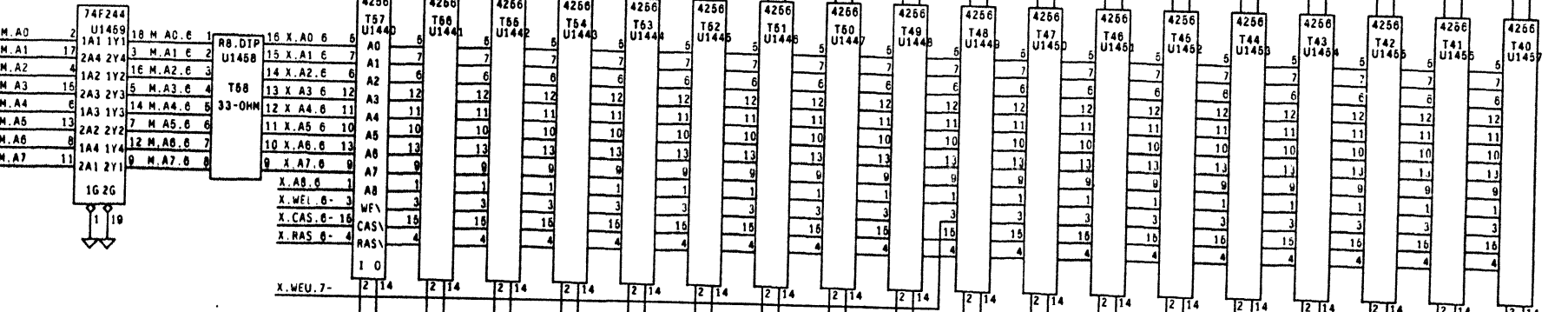
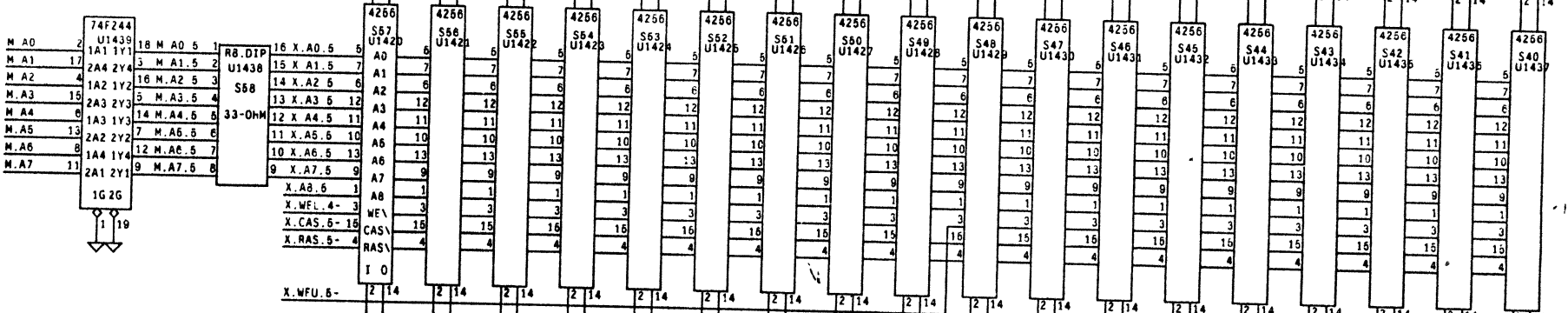
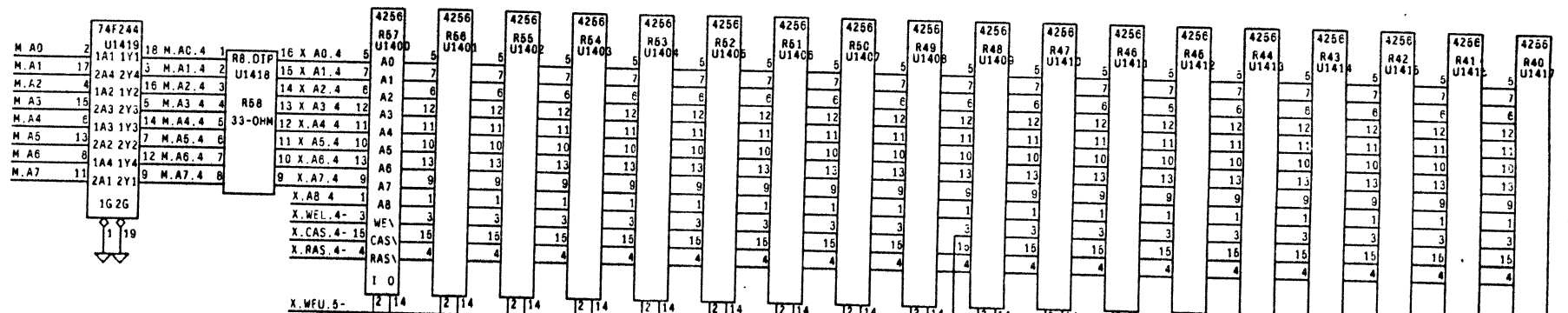
FILE A131 1SM11

DATE 7-Oct-84 23:29



PROPRIETARY SMI, SUN-2, MEMORY

TITLE

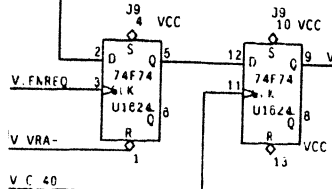
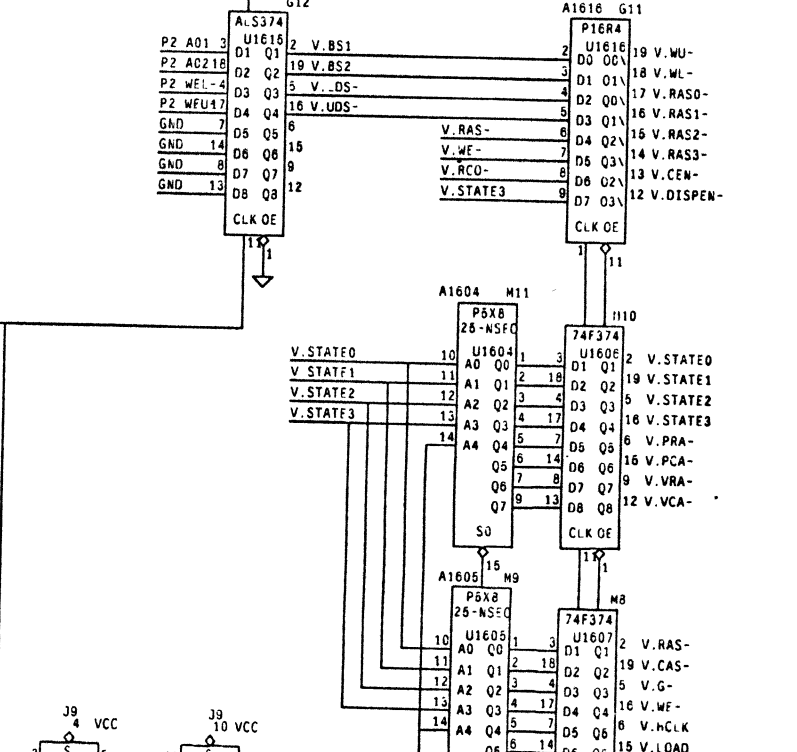
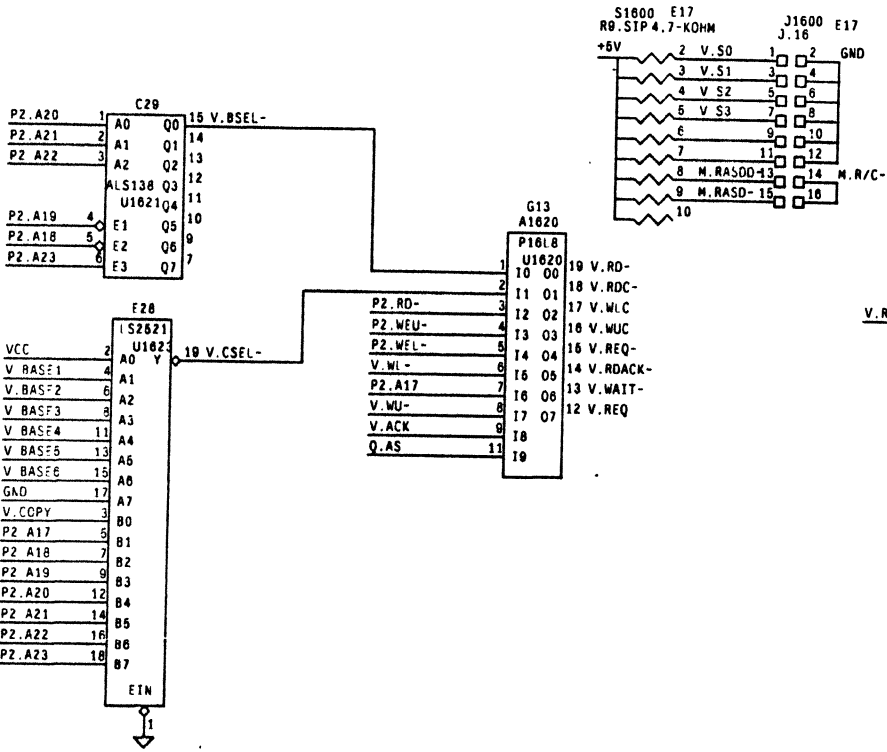
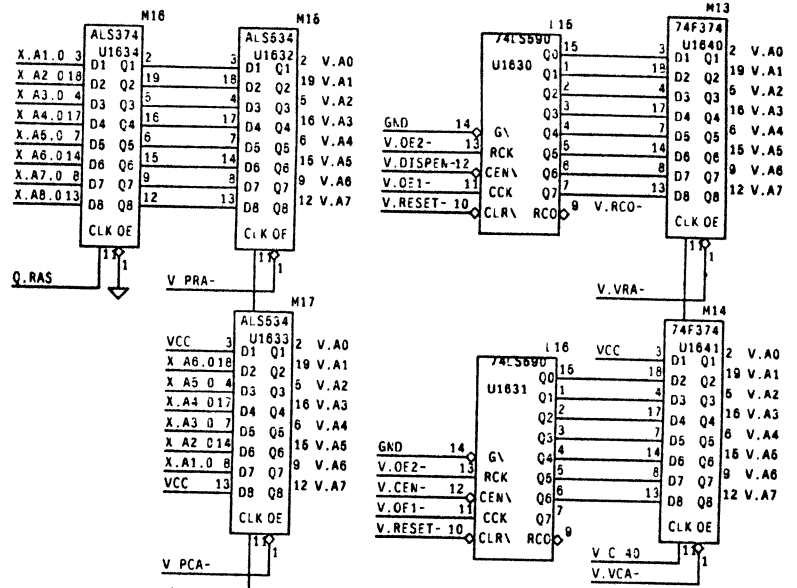
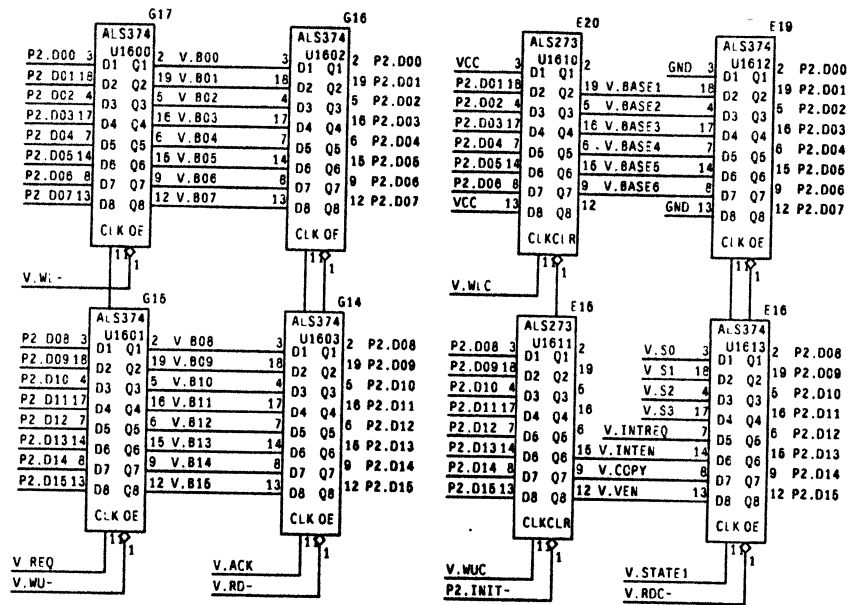


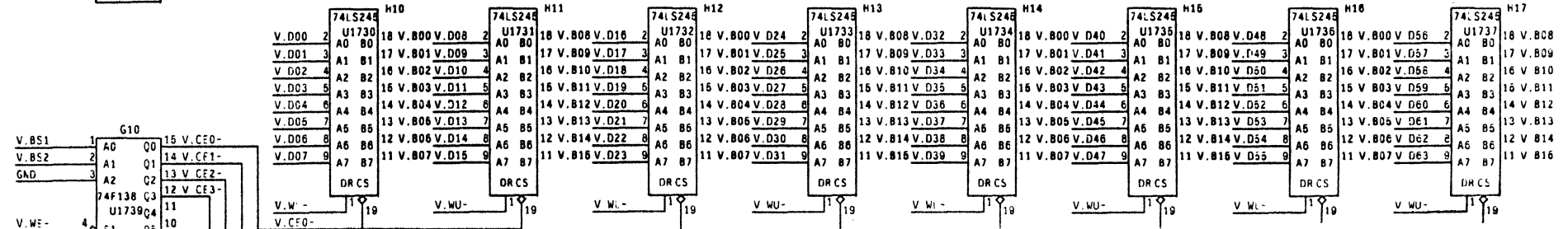
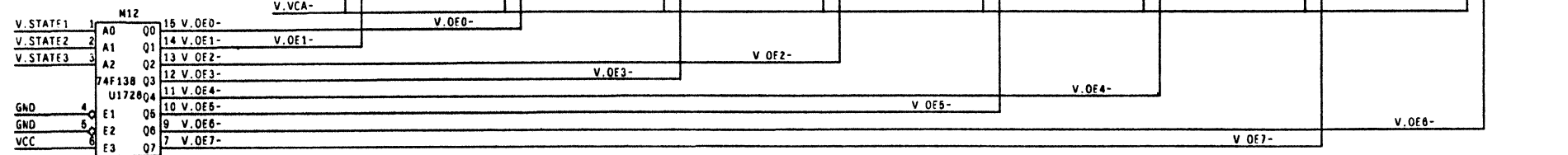
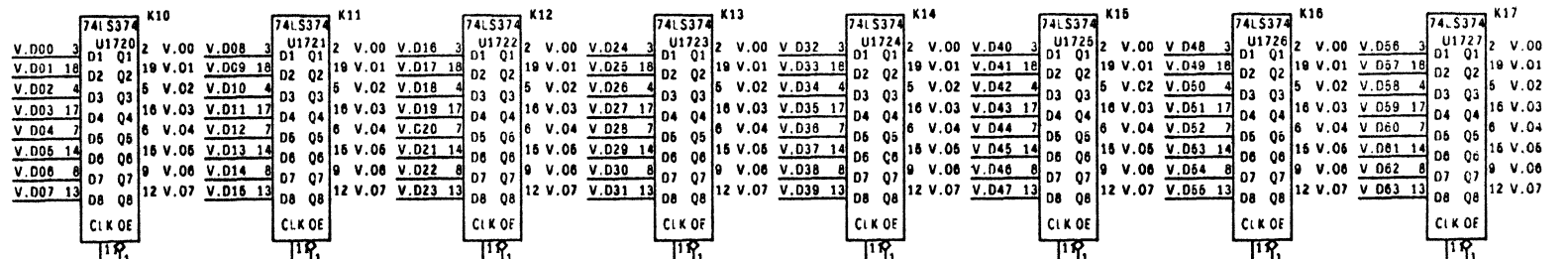
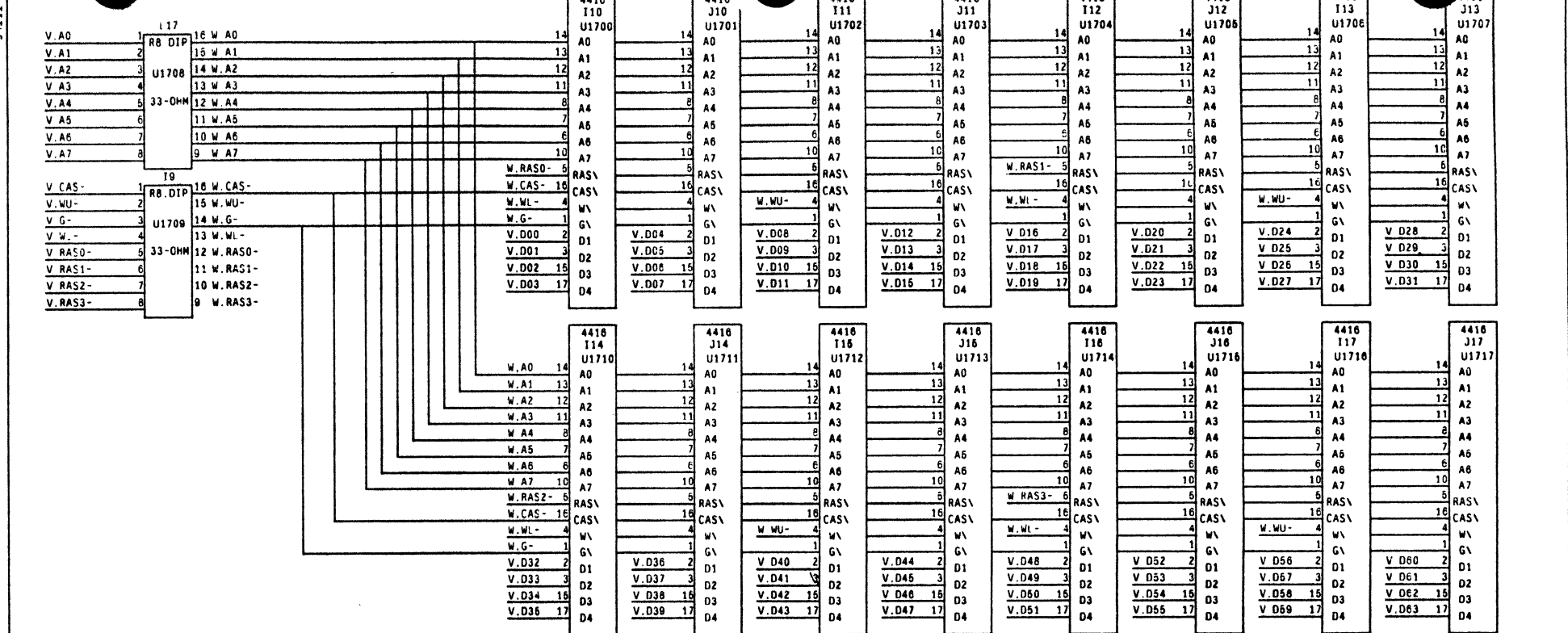
FILE A14 [ISM1]

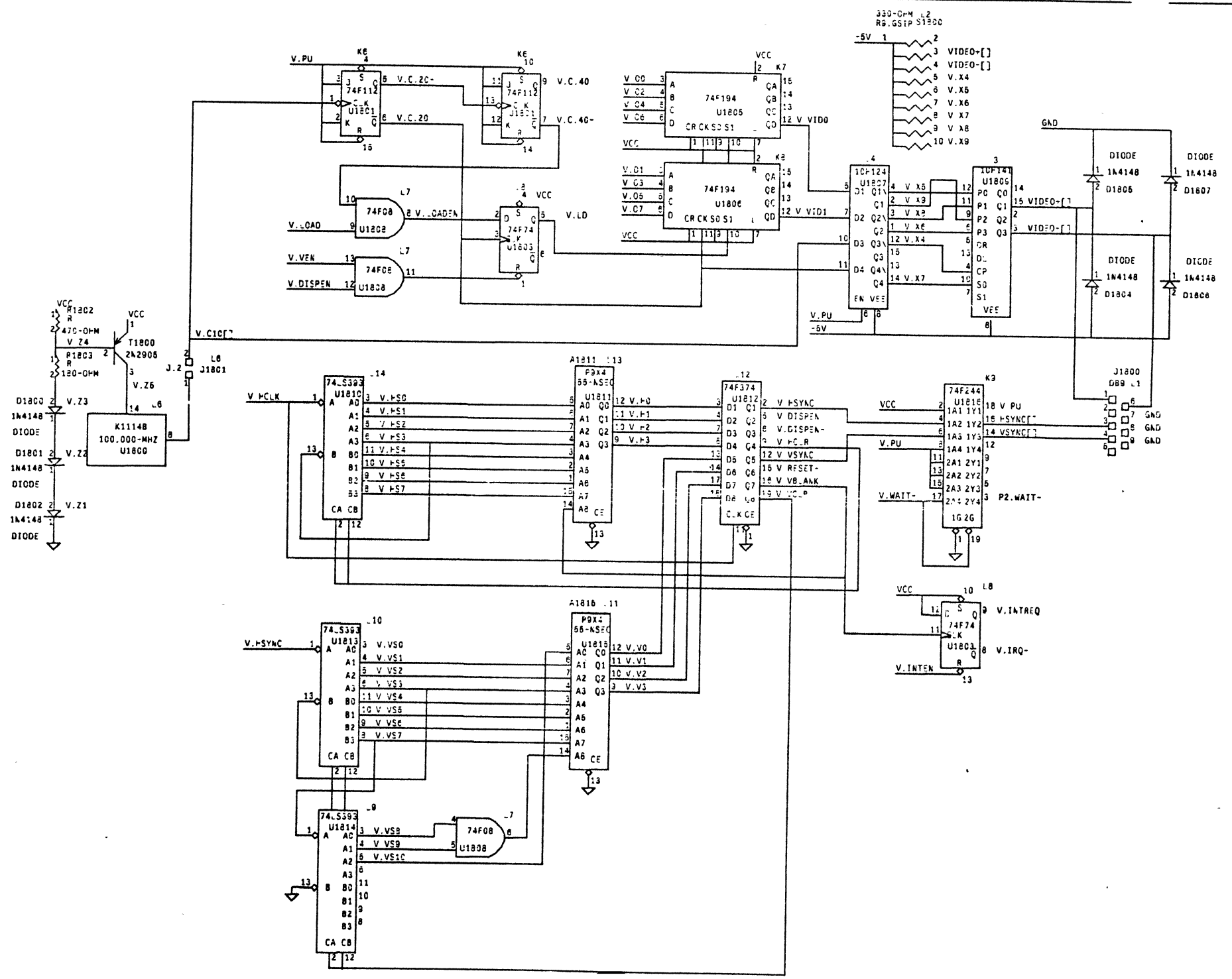
DATE 7-OCT-84 23:30

PAGE 14 OF 1

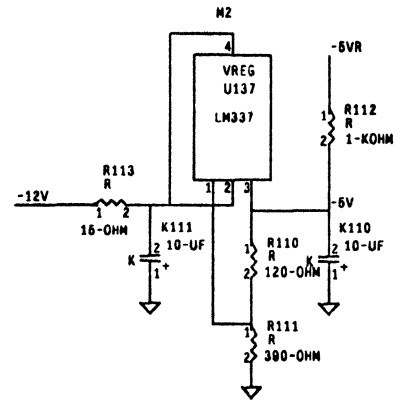
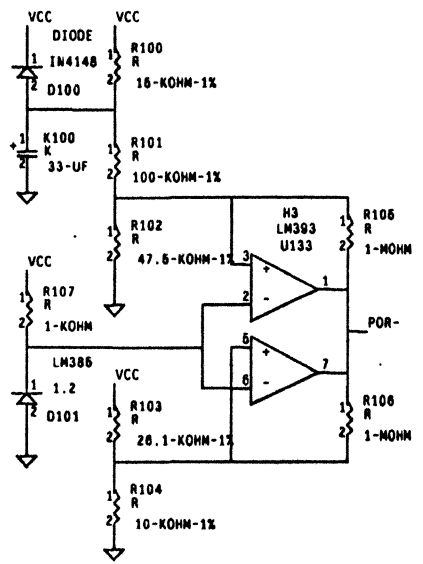
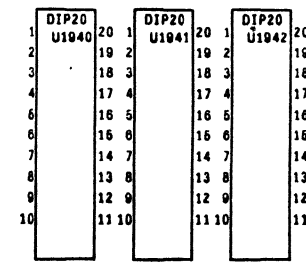
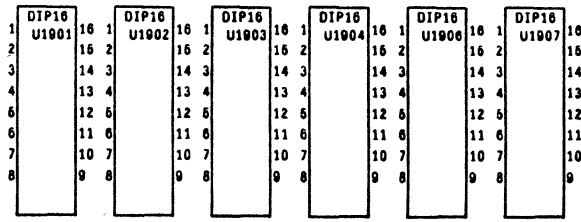
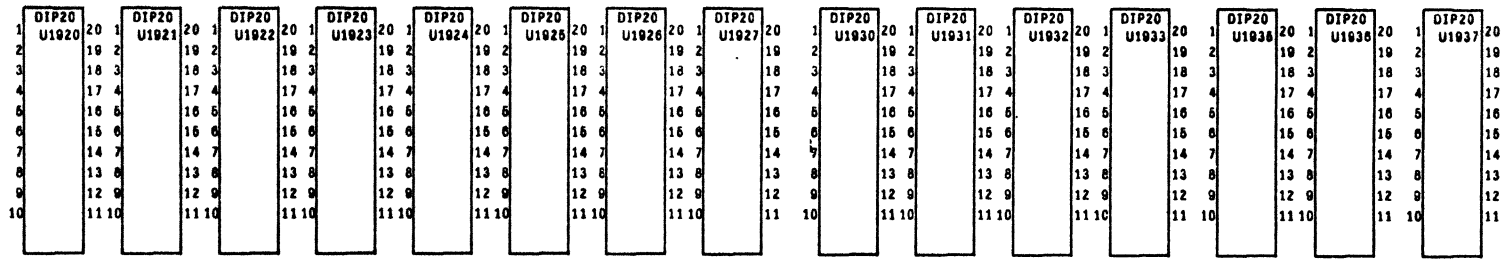
X.TOC M.000 X.I01 M.001 X.I02 M.002 X.I03 M.003 X.I04 M.004 X.I05 M.005 X.I06 M.006 X.I07 M.007 X.I08 M.009 M.CU M.010 M.011 M.012 M.013 M.014 M.015







VCC	X1900	X1901	X1902	X1903	X1904	X1905	X1906	X1907	X1908	X1909	X1910	X1911	X1912	X1913	X1914	X1915	X1916	X1917	X1918	X1919
GND	X	X	X	X	X	X	X	X	X	X	X	X	X	X	X	X	X	X	X	X
VCC	X1920	X1921	X1922	X1923	X1924	X1925	X1926	X1927	X1928	X1929	X1930	X1931	X1932	X1933	X1934	X1935	X1936	X1937	X1938	X1939
GND	X	X	X	X	X	X	X	X	X	X	X	X	X	X	X	X	X	X	X	X
VCC	X1940	X1941	X1942	X1943	X1944	X1945	X1946	X1947	X1948	X1949	X1950	X1951	X1952	X1953	X1954	X1955	X1956	X1957	X1958	X1959
GND	X	X	X	X	X	X	X	X	X	X	X	X	X	X	X	X	X	X	X	X
VCC	X1960	X1961	X1962	X1963	X1964	X1965	X1966	X1967	X1968	X1969	X1970	X1971	X1972	X1973	X1974	X1975	X1976	X1977	X1978	X1979
GND	X	X	X	X	X	X	X	X	X	X	X	X	X	X	X	X	X	X	X	X
VCC	X1980	X1981	X1982	X1983	X1984	X1985	X1986	X1987	X1988	X1989	X1990	X1991	X1992	X1993	X1994	X1995	X1996	X1997	X1998	X1999
GND	X	X	X	X	X	X	X	X	X	X	X	X	X	X	X	X	X	X	X	X



P98 A39
P2105
P1.D00 31 P1.BASY- 65 P1.D08
P1.D01 32 P1.BC4- 66 P1.D09
P1.D02 33 P1.ACFATL- 67 P1.D10
P1.D03 34 P1.B331A- 68 P1.D11
P1.D04 35 P1.B330CUT- 69 P1.D12
P1.D05 36 P1.B311A- 70 P1.D13
P1.D06 37 P1.B310CUT- 71 P1.D14
P1.D07 38 P1.B321A- 72 P1.D15
GND 39 P1.B320CUT- 73 GND
P1.SYSCLK 40 P1.B331A- 74 P1.SYSF-
GND 41 P1.B330CUT- 75 P1.BERR-
P1.DS1- 42 P1.BR0- 76 P1.SYSP-
P1.DS0- 43 P1.BR1- 77 P1.WORD-
P1.WRITE- 44 P1.BR2- 78 P1.AM5
GND 45 P1.BR3- 79 P1.A23
P1.DTACK- 46 P1.AM0 80 P1.A22
GND 47 P1.AM1 81 P1.A21
P1.AS- 48 P1.AM2 82 P1.A20
GND 49 P1.AM3 83 P1.A19
P1.IACK- 50 GND 84 P1.A18
P1.IACKIN- 51 P1.SERCLK 85 P1.A17
P1.IACKOUT- 52 P1.SERDAT 86 P1.A16
P1.AM4 53 GND 87 P1.A15
P1.A07 54 P1.IRQ7- 88 P1.A14
P1.A06 55 P1.IRQ6- 89 P1.A13
P1.A05 56 P1.IRQ5- 90 P1.A12
P1.A04 57 P1.IRQ4- 91 P1.A11
P1.A03 58 P1.IRQ3- 92 P1.A10
P1.A02 59 P1.IRQ2- 93 P1.A09
P1.A01 60 P1.IRQ1- 94 P1.A08
31 P1.+5VSTOBY 95
32 VCC 61 VCC 96

P98 A20
P2105
P1.D08 1 P1.BASY- 33 P1.D00
P1.D09 2 P1.BC4- 34 P1.D01
P1.D10 3 P1.ACFATL- 35 P1.D02
P1.D11 4 P1.B331A- 36 P1.D03
P1.D12 5 P1.B330CUT- 37 P1.D04
P1.D13 6 P1.B311A- 38 P1.D08
P1.D14 7 P1.B310CUT- 39 P1.D08
P1.D15 8 P1.B321A- 40 P1.D07
GND 9 P1.B320CUT- 41 GND
P1.SYSF- 10 P1.B331A- 42 P1.SYSCLK
P1.BERR- 11 P1.B330CUT- 43 GND
P1.SYSP- 12 P1.BR0- 44 P1.DS1-
P1.LWCRO- 13 P1.BR1- 45 P1.DS0-
P1.AM5 14 P1.BR2- 46 P1.WRITE-
P1.A23 15 P1.BR3- 47 GND
P1.A22 16 P1.AM0 48 P1.DTACK-
P1.A21 17 P1.AM1 49 GND
P1.A20 18 P1.AM2 50 P1.AS-
P1.A19 19 P1.AM3 51 GND
P1.A18 20 GND 52 P1.IACK-
P1.A17 21 P1.SERCLK 53 P1.IACKIN-
P1.A16 22 P1.SERDAT 54 P1.IACKOUT-
P1.A15 23 GND 55 P1.AM4
P1.A14 24 P1.IRQ7- 56 P1.A07
P1.A13 25 P1.IRQ6- 57 P1.A06
P1.A12 26 P1.IRQ5- 58 P1.A06
P1.A11 27 P1.IRQ4- 59 P1.A04
P1.A10 28 P1.IRQ3- 60 P1.A03
P1.A09 29 P1.IRQ2- 61 P1.A02
P1.A08 30 P1.IRQ1- 62 P1.A01
31 +12V 63 P1.+5VSTOBY 96
32 VCC 64 VCC 96

P98 F39
P2105
P2.A00 1 P2.A00
P2.A01 2 P2.A01
P2.A02 3 P2.A02
P2.A03 4 P2.A03
P2.A04 5 P2.A04
P2.A05 6 P2.A05
P2.A06 7 P2.A06
P2.A07 8 P2.A07
P2.A08 9 P2.A08
P2.A09 10 P2.A09
P2.A10 11 P2.A10
P2.A11 12 P2.A11
P2.A12 13 P2.A12
P2.A13 14 P2.A13
P2.A14 15 P2.A14
P2.A15 16 P2.A15
P2.A16 17 P2.A16
P2.A17 18 P2.A17
P2.A18 19 P2.A18
P2.A19 20 P2.A19
P2.A20 21 P2.A20
P2.A21 22 P2.A21
P2.A22 23 P2.A22
P2.A23 24 P2.A23
P2.D00 25 P2.D00
P2.D01 26 P2.D01
P2.D02 27 P2.D02
P2.D03 28 P2.D03
P2.D04 29 P2.D04
P2.D05 30 P2.D05
P2.D06 31 P2.D06
P2.D07 32 P2.D07
33 P2105 VCC
34 GND
35
36
37
38
39
40
41
42
43
44
45
46
47
48
49
50
51
52
53
54
55
56
57
58
59
60
61
62
63
64

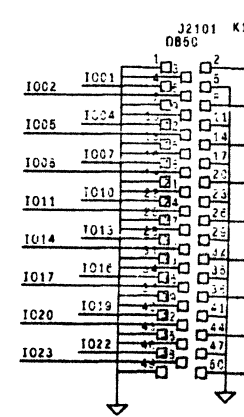
P98 G20
P2105
1024 1
1023 2
1022 3
1021 4
1020 5
1019 6
1018 7
1017 8
1016 9
1015 10
1014 11
1013 12
1012 13
1011 14
1010 15
1009 16
1008 17
1007 18
1006 19
1005 20
1004 21
1003 22
1002 23
1001 24
1000 25
26
27
28
29
30
31
32
33 P2105 VCC
34 GND
35
36
37
38
39
40
41
42
43
44
45
46
47
48
49
50
51
52
53
54
55
56
57
58
59
60
61
62
63
64

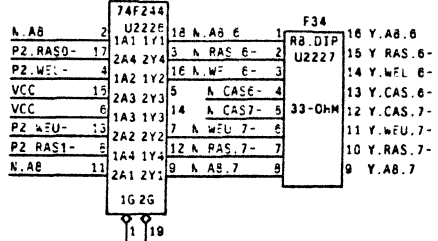
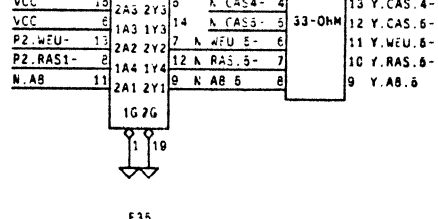
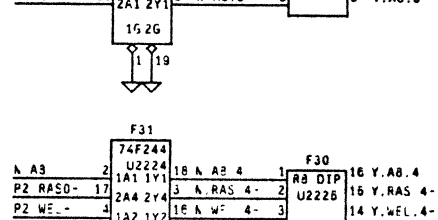
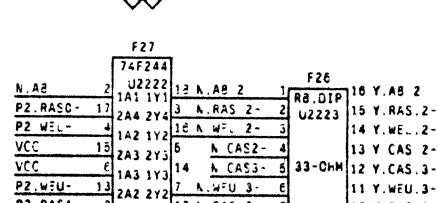
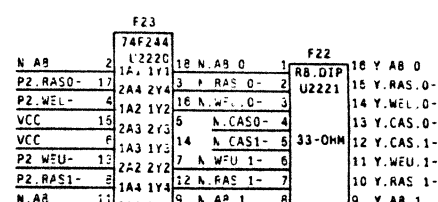
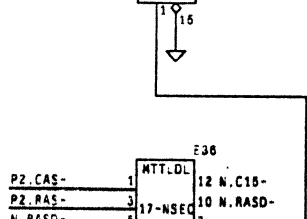
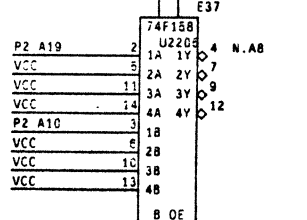
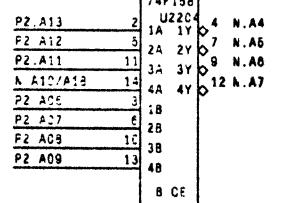
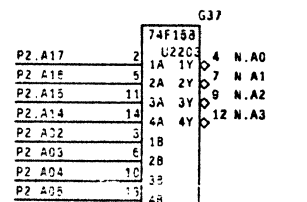
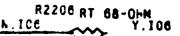
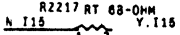
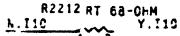
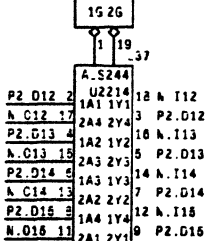
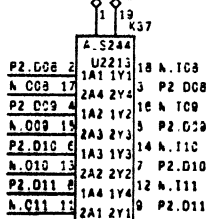
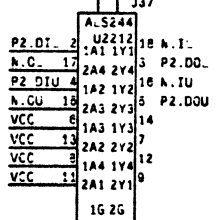
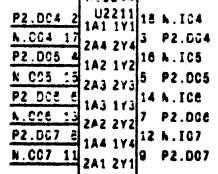
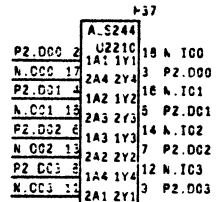
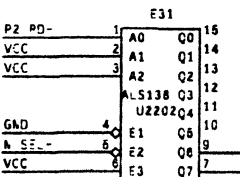
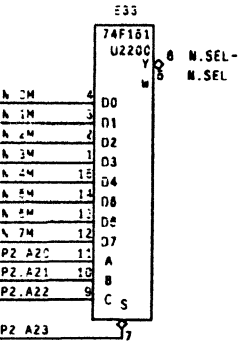
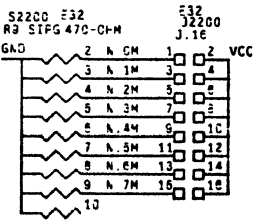
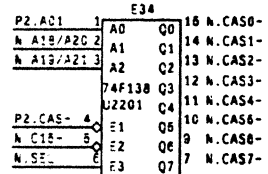
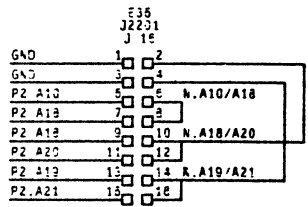
85 P2.RAS-
86 GND
87 P2.RASC-
88 GND
89 P2.RAS1-
90 GND
91 P2.CAS-
92 GND
93 P2.RD-
94 GND
95 P2.WEL-
96 GND
97 P2.WEU-
98 GND
99 P2.WAIT-
100 GND
101 P2.INIT-
102 GND
103 P2.DI-
104 GND
105 P2.DIU
106 GND
107 P2.D0L
108 P2.D0U
109 P2.D08
110 P2.D09
111 P2.D10
112 P2.D11
113 P2.D12
114 P2.D13
115 P2.D14
116 P2.D16
117
118
119
120
121
122
123
124
125
126
127
128
129
130
131
132

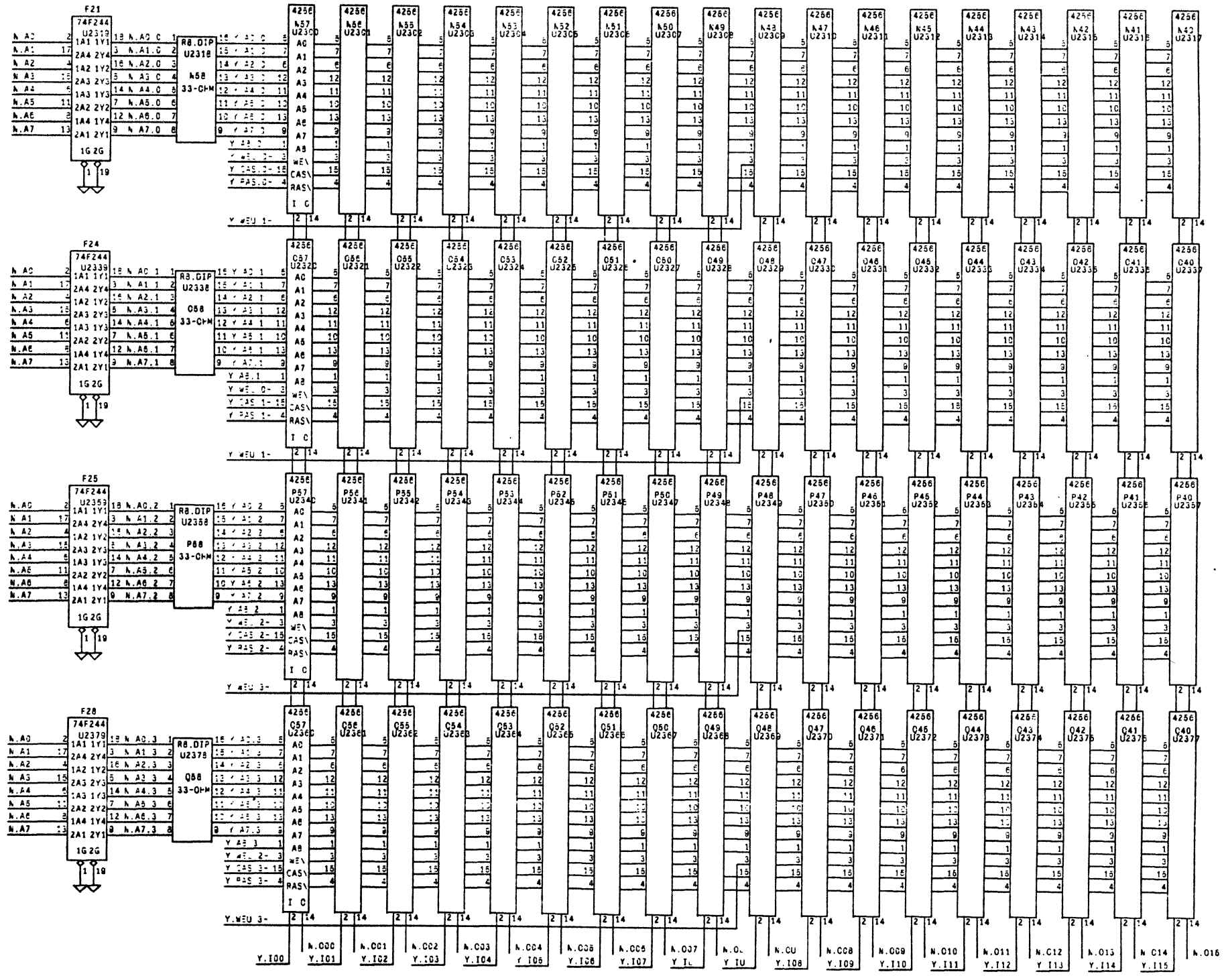
P96 J39
P2103
VCC 1
VCC 2
VCC 3
GND 4
VCC 5
VCC 6
VCC 7
VCC 8
VCC 9
VCC 10
VCC 11
VCC 12
VCC 13
VCC 14
VCC 15
VCC 16
VCC 17
VCC 18
VCC 19
VCC 20
VCC 21
VCC 22
VCC 23
VCC 24
VCC 25
+12V 26
+12V 27
-12V 28
-12V 29
30
31
32
33 P2103
34
35
36
37
38
39
40
41
42
43
44
45
46
47
48
49
50
51
52
53
54
55
56
57
58
59
60
61
62
63
64

85 GND
86 GND
87 GND
88 GND
89 GND
90 GND
91 GND
92 GND
93 GND
94 GND
95 GND
96 GND
97 GND
98 GND
99 GND
100 GND
101 GND
102 GND
103 GND
104 GND
105 GND
106 GND
107 GND
108 GND
109 GND
110 GND
111 GND
112 GND
113 GND
114 GND
115 GND
116 GND
117 GND
118 GND
119 GND
120 GND
121 GND
122 GND
123 GND
124 GND
125 GND
126 GND
127 GND
128 GND
129 GND
130 GND
131 GND
132

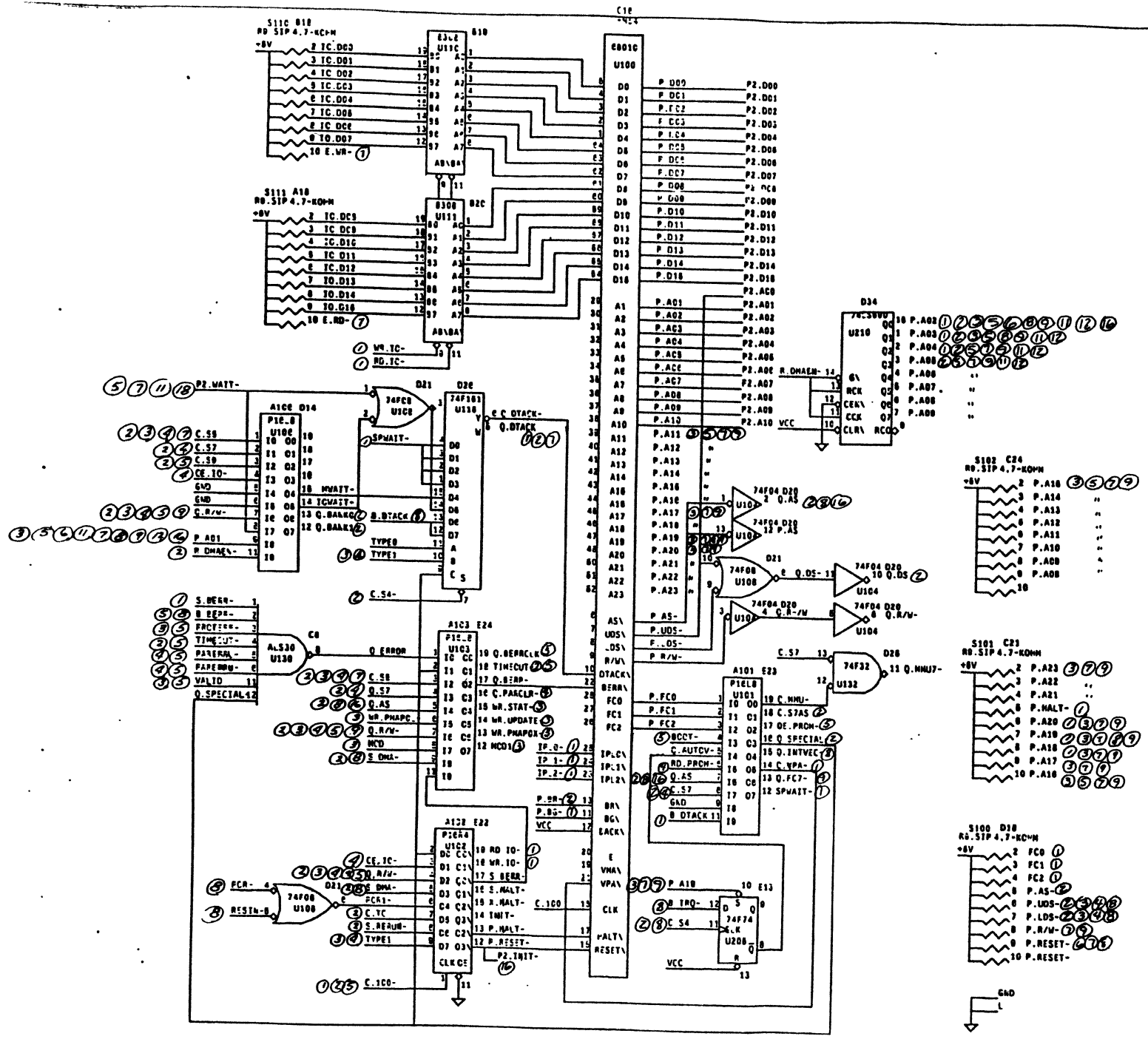
J2100 F20
J 16
P1.BGINC-1 1
P1.BGIN1-3 2
P1.BGIN2-5 3
P1.BGIN3-7 4
8
9
10
11
12
13
14
P1.IACKIN15 15
16 P1.IACKOUT-





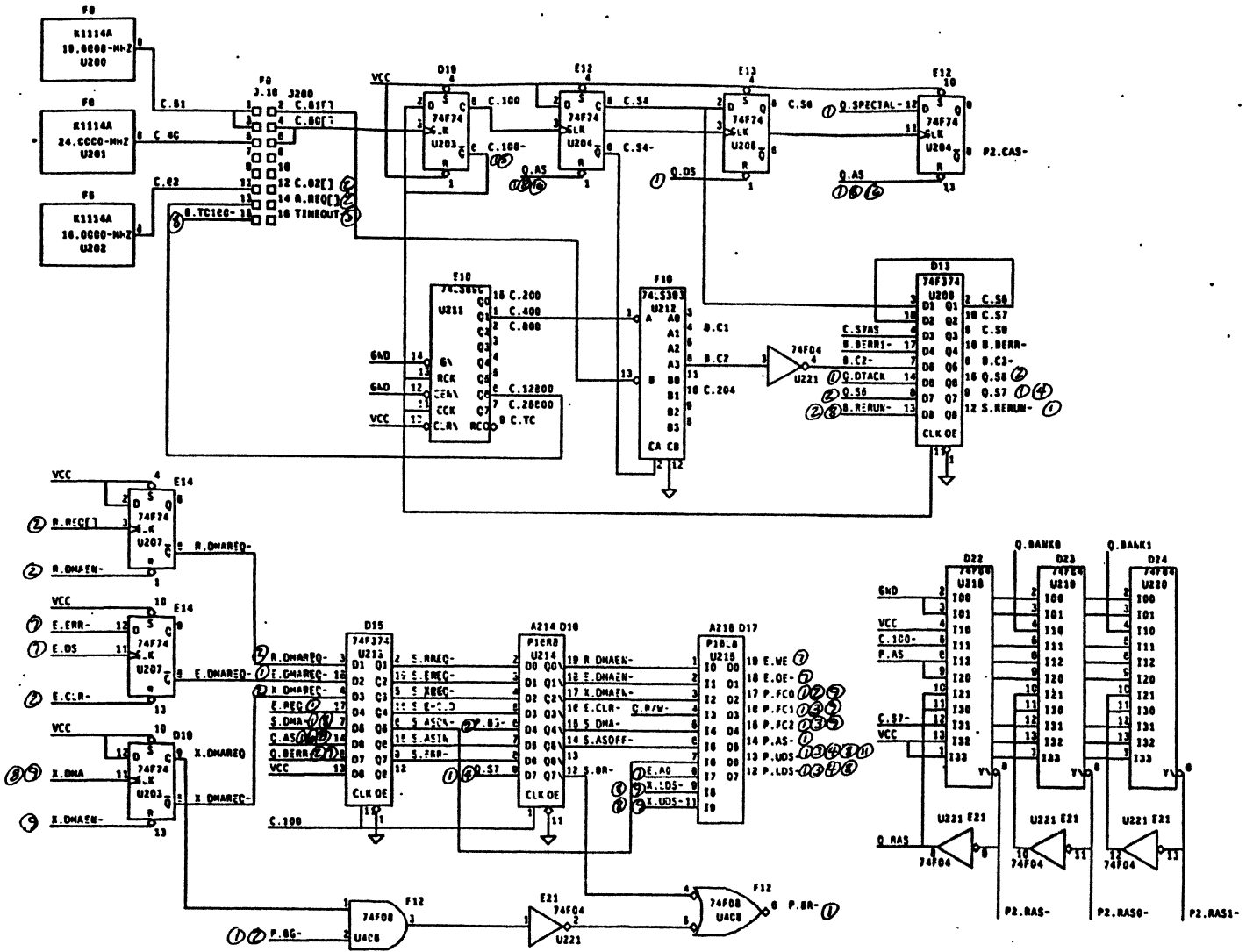


CURRENT ECO		
REV	ECO #	DATE
		SEE SHT. 1 10-12-82



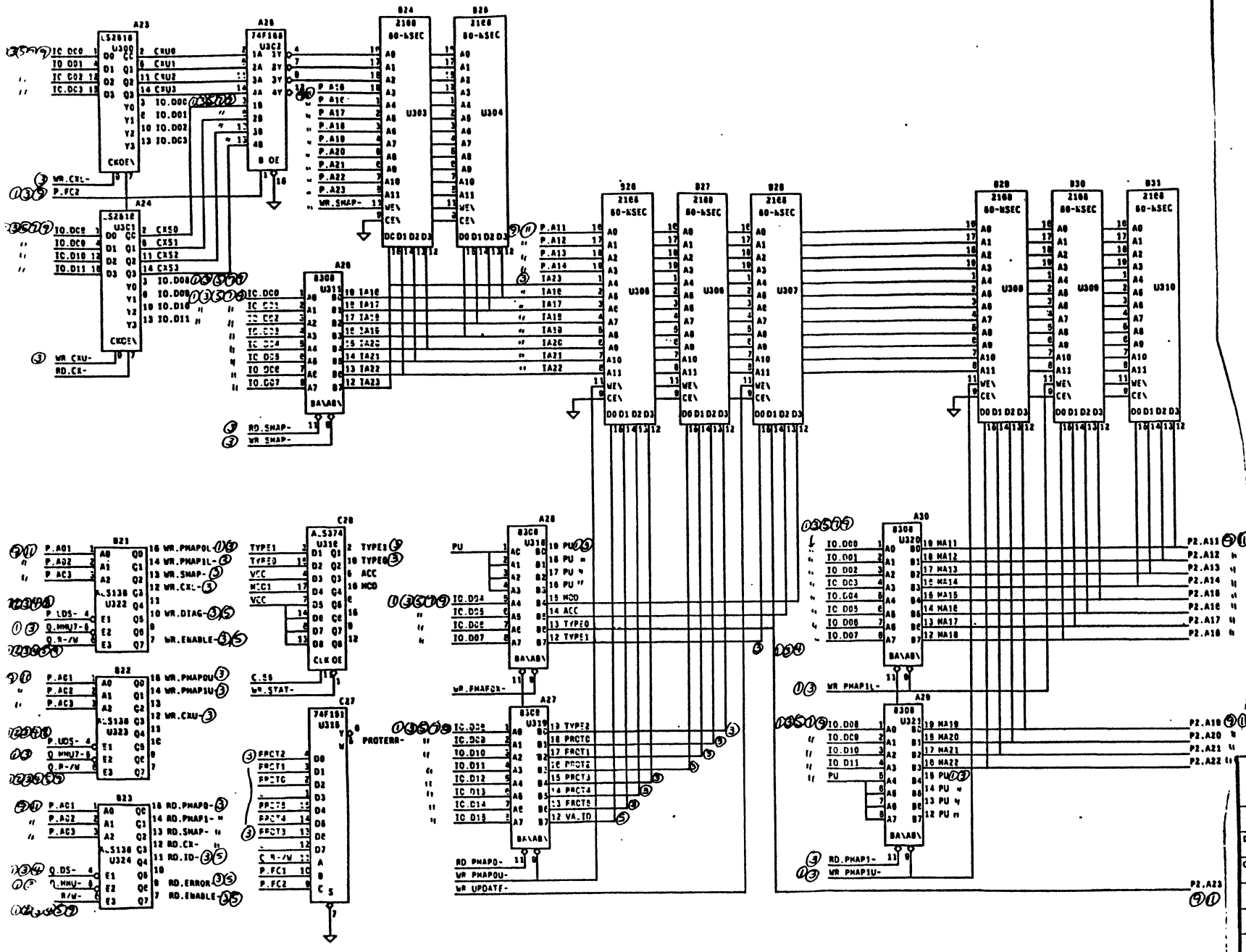
NOTE:
THIS SCHEM IS FOR
270-1005-06 BARE BD
ONLY.

SUN MICROSYSTEMS		
APPROVALS	DATE	SCHEMATIC MOD 50 CF
DRAWN <i>[Signature]</i>	10-12-82	
CHECKER <i>[Signature]</i>	11-14-82	DRAWING NO 501-1005-
DO NOT SCALE DRAWING		SHEET 2 OF



SUN MICROSYS

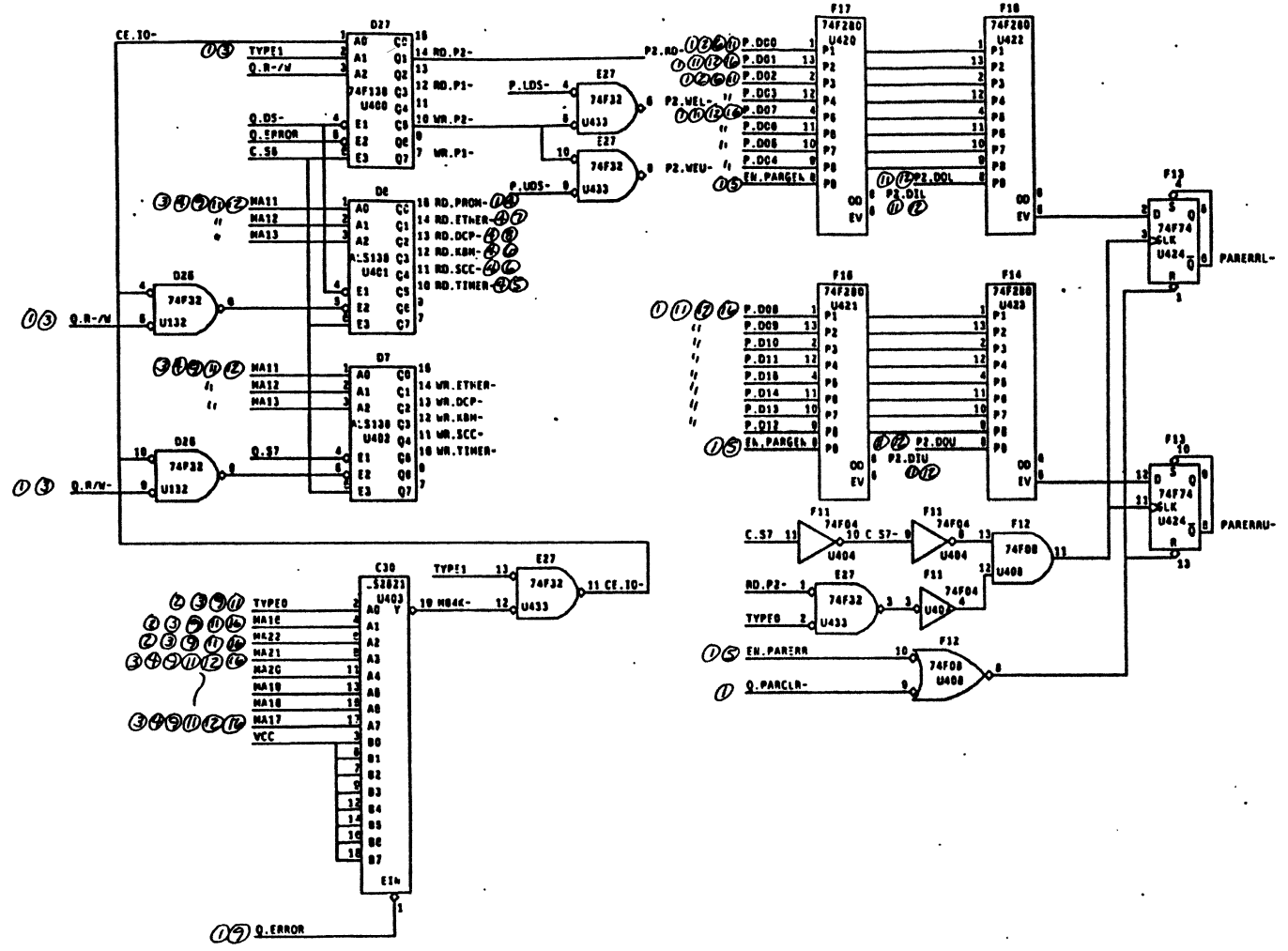
APPROVALS	DATE	SCHEM MOD 5
DRAWN		
CHECKED		
		DRAWING NO. 50I-10
DO NOT SCALE DRAWING		SH



SUN MICROSYSTEMS

APPROVALS	DATE	SCHEMATIC MOD 50
DRAWN		
CHECKED		DRAWING NO 501-100
		DO NOT SCALE DRAWING

CURRENT ECO		
REV	ECO #	DA
		SEE SHT 10-10



PROPRIETARY SMI, SUN-2

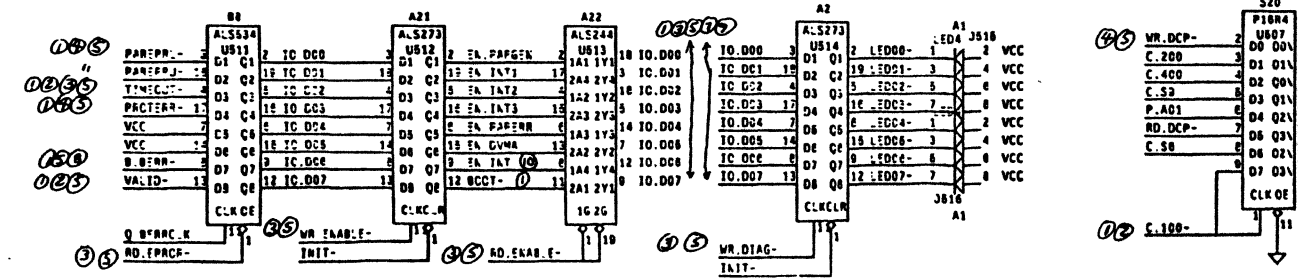
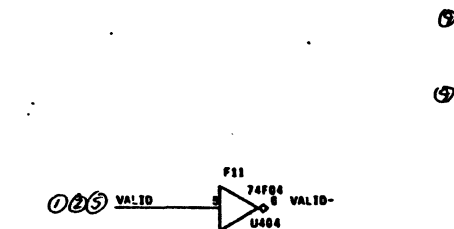
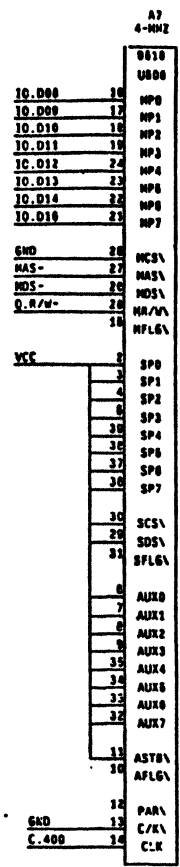
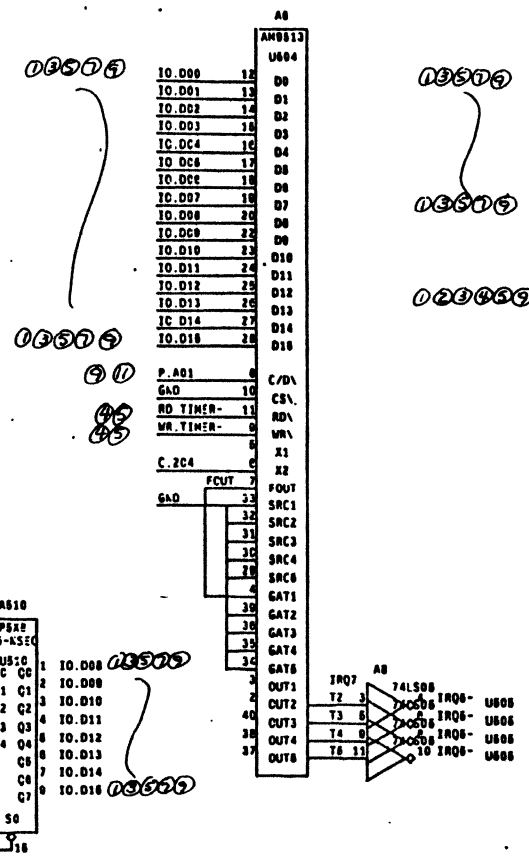
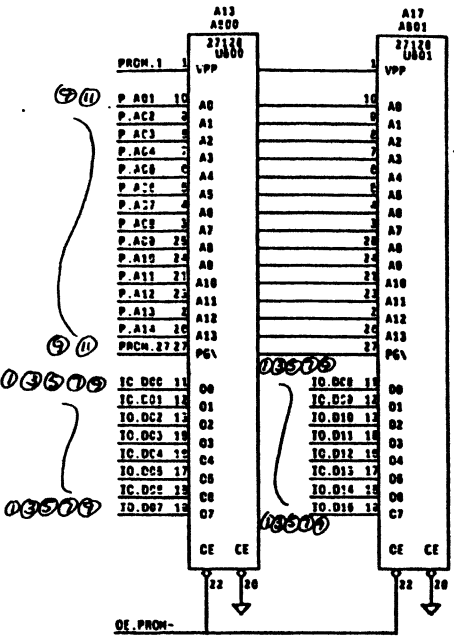
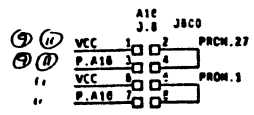
FILE 104 [1SM1]

DATE 7-Oct-84 23:20

PAGE 1 OF 19

SUN MICROSYSTEMS		
APPROVALS	DATE	SCHEMA MOD 50
DRAWN		
CHECKED		DRAWING NO. 501-100
DO NOT SCALE DRAWING		SHLLT

CURRENT ECO		
REV	ECO #	DAT.
	SEE SHT 1	10-12-



SUN MICROSYSTEM

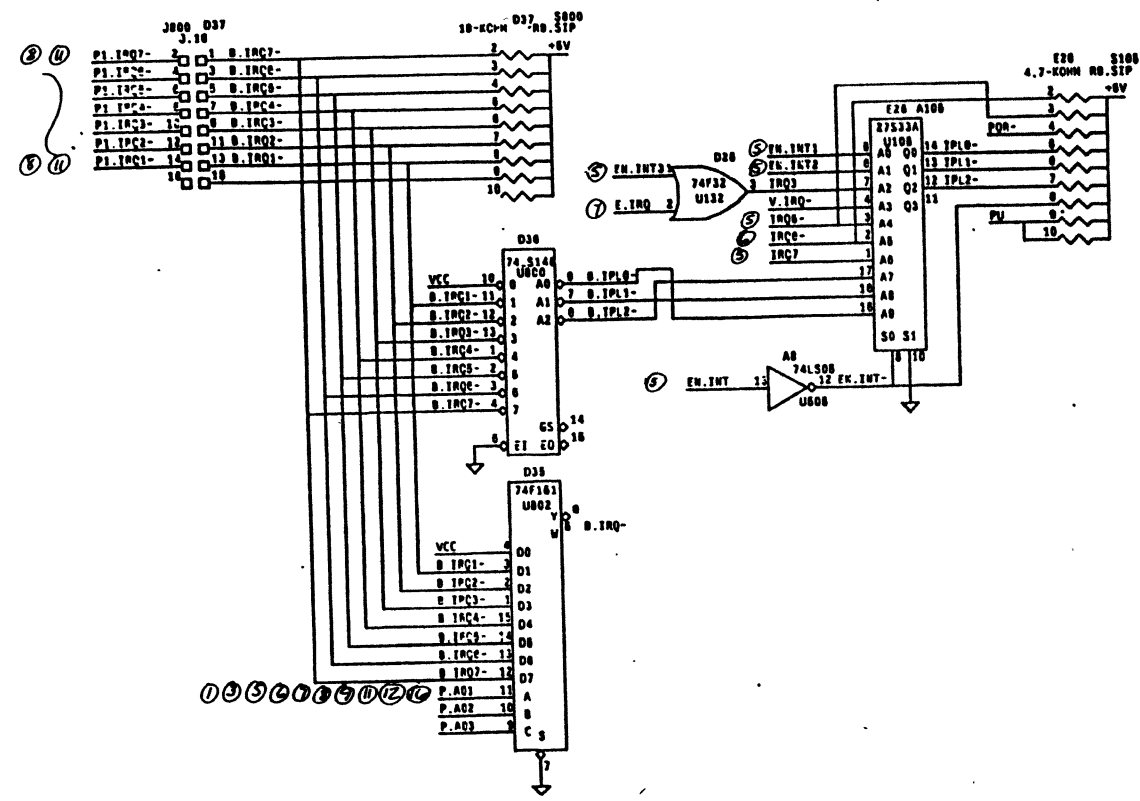
APPROVALS	DATE	SCHEMATIC MOD 50 C
DRAWN		
CHECKED		
DRAWING NO		501-1005
DO NOT SCALE DRAWING		SHEET 6

DATE 7.0.1.04 22.71

FILE 4SM11

PAGE 07

REV	ECO #	DATE
	SEE SHT 1	10-12-87



FILE 7-20-87 09:28 DATE 7-20-87 09:28 PAGE 10 OF 10

SUN MICROSYSTEM

APPROVALS	DATE	SCHEMATIC MOD 50 (
DRAWN		
CHECKED		
		DRAWING NO. 501-1005
DO NOT SCALE DRAWING		SHLL://

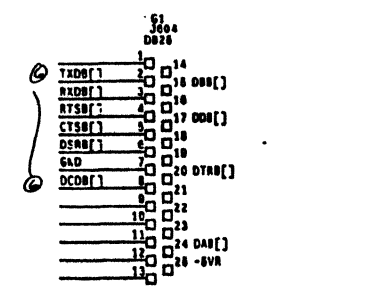
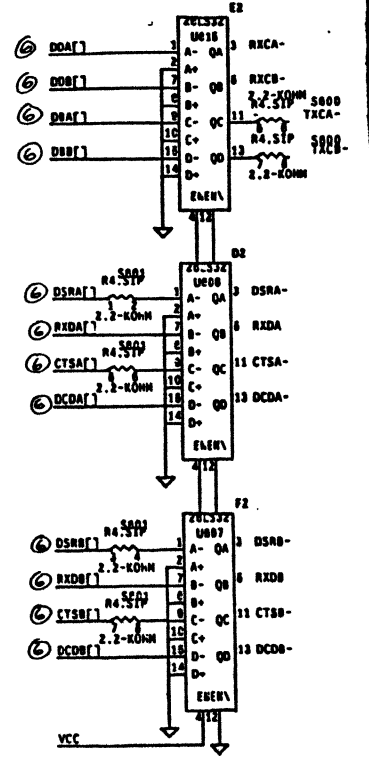
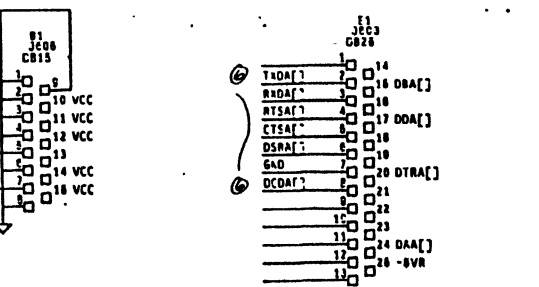
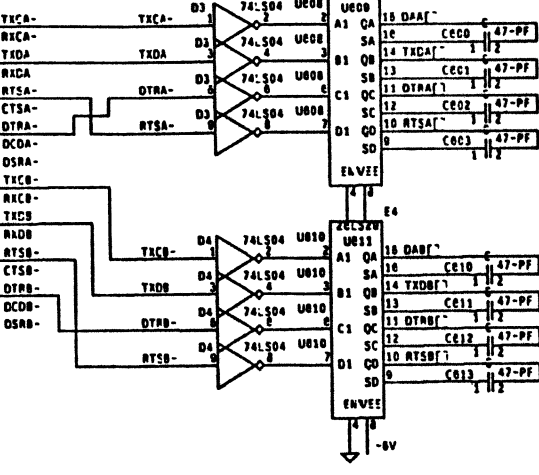
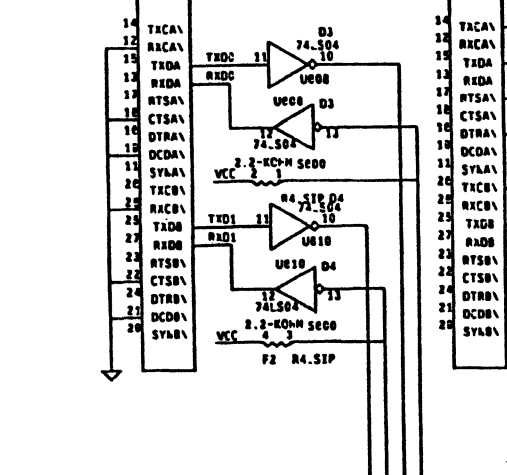
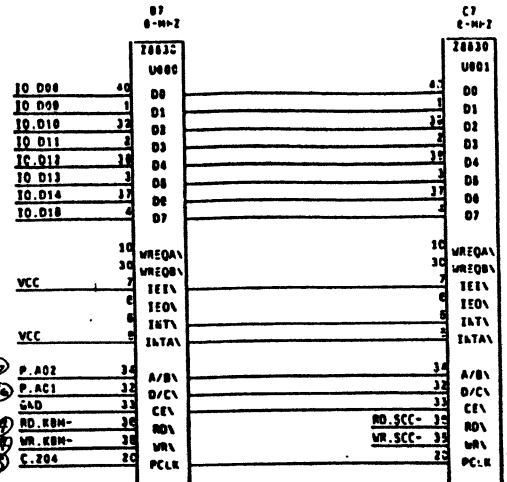
CURRENT ECO		
REV	ECO #	DATE
		SEE SHT 110-12-8

03570
03571
03572
03573
03574
03575
03576
03577
03578
03579
03580
03581
03582
03583
03584
03585
03586
03587
03588
03589
03590
03591
03592
03593
03594
03595
03596
03597
03598
03599

03570
03571
03572
03573
03574
03575
03576
03577
03578
03579
03580
03581
03582
03583
03584
03585
03586
03587
03588
03589
03590
03591
03592
03593
03594
03595
03596
03597
03598
03599

7-Oct-84 23:22

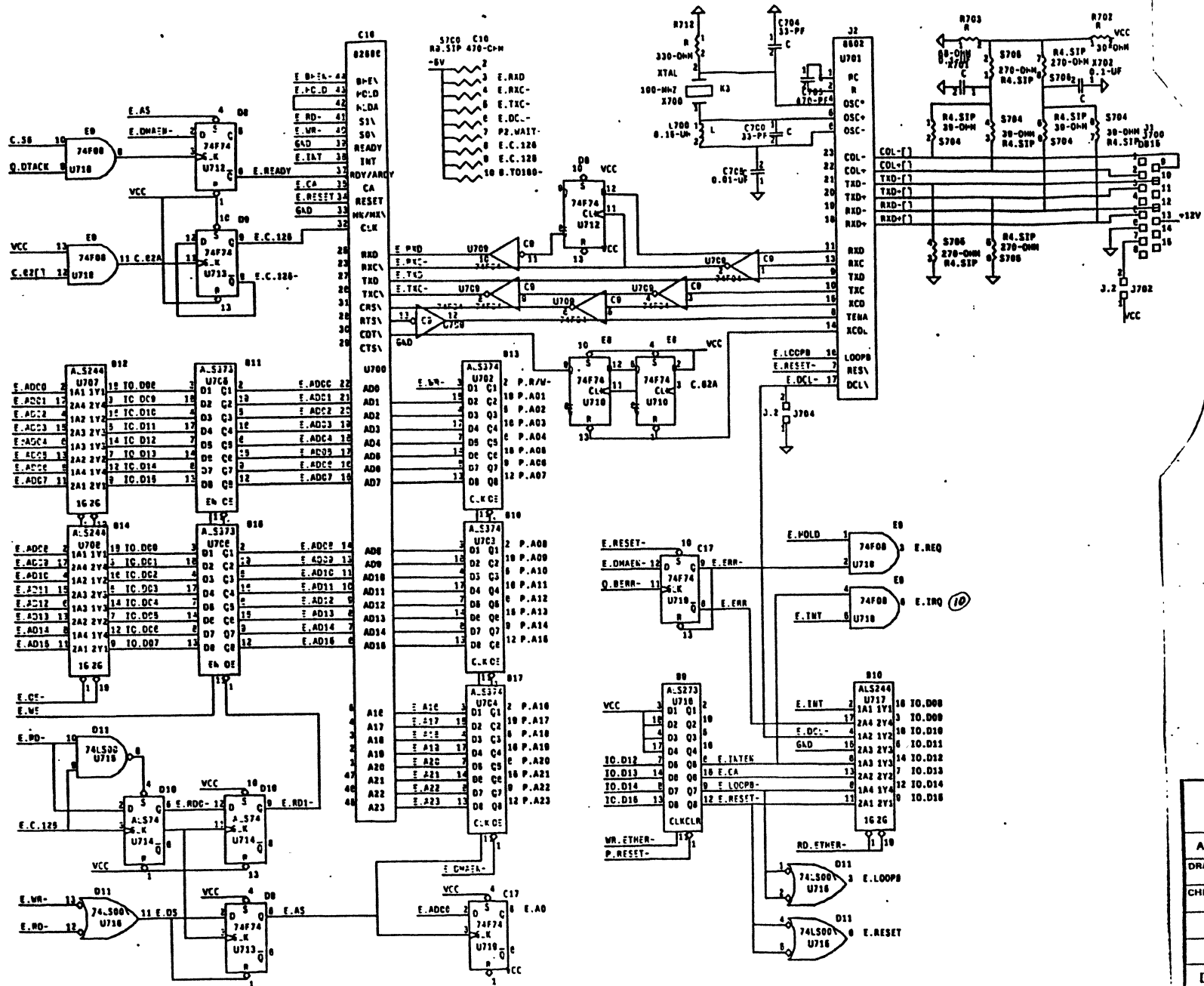
6 of 19



SUN MICROSYSTEMS

APPROVALS	DATE	SCHEMATIC MOD 50 (
DRAWN		
CHECKED		DRAWING NO 50I-1005
DO NOT SCALE DRAWING		SHEET 7

TITLE: PROPR...RY SMI, SUN-2, ETHERNET INTERFACE.
 DATE: 7.Oct.84 23:23
 PART: 7
 OF: 19



SUN MICROSYST

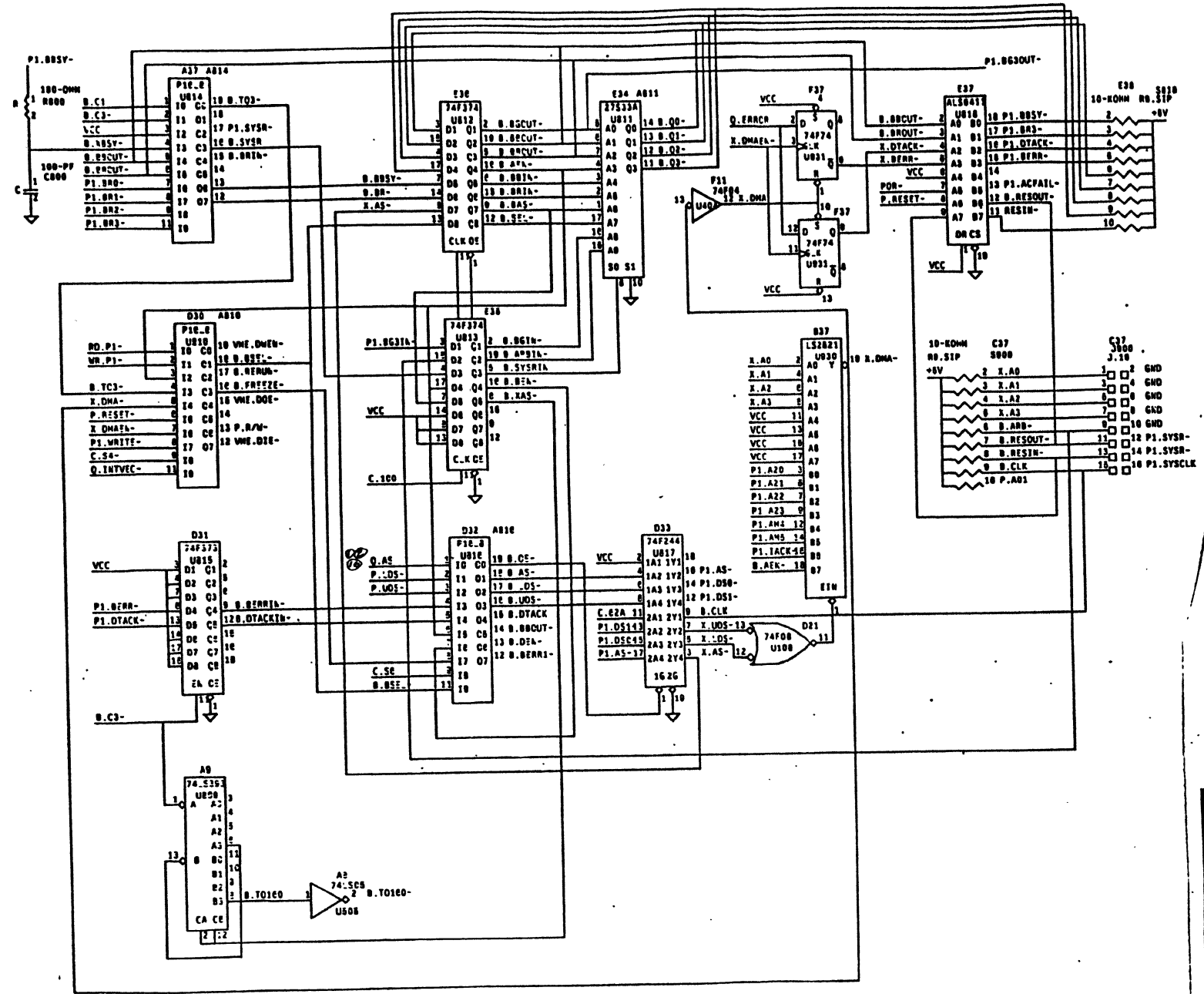
APPROVALS	DATE	SCHEM/ MOD 50
DRAWN		
CHECKED		DRAWING NO 501-100
DO NOT SCALE DRAWING		SHEET

PROPERTY RY SMI SUN-2

FILE A081 1SM11

DATE 7-Oct-84 23:23

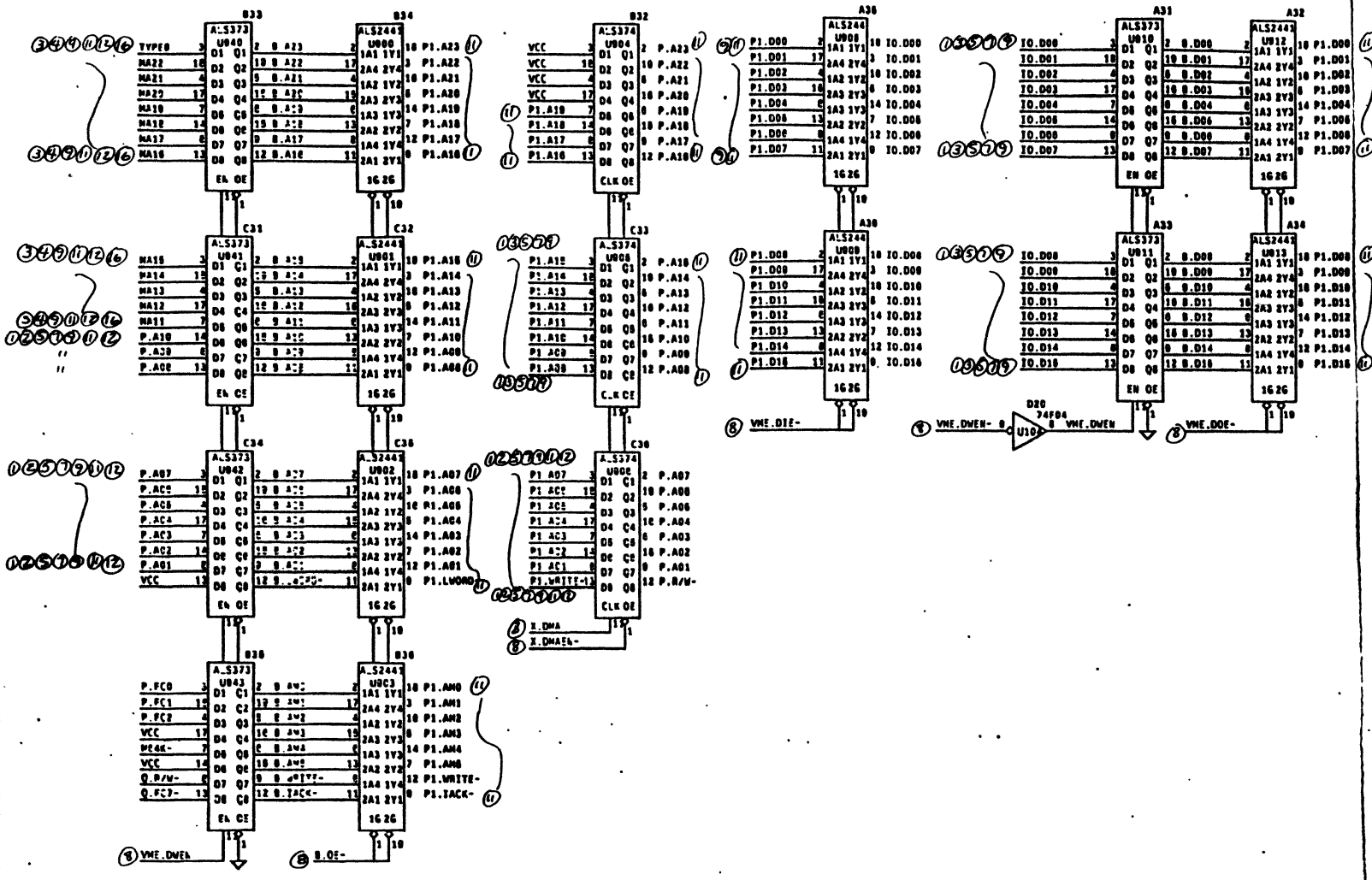
PAGE 8 OF 19



SUN MICROSYSTEMS

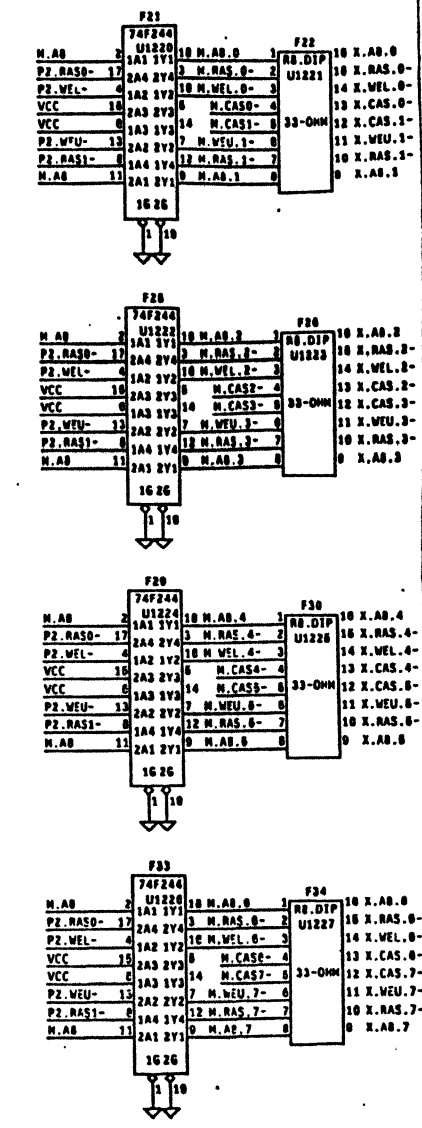
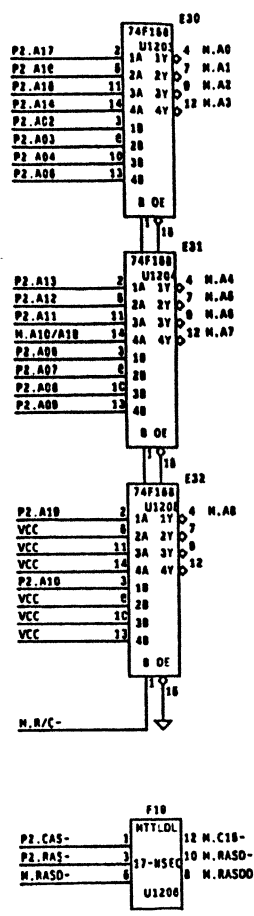
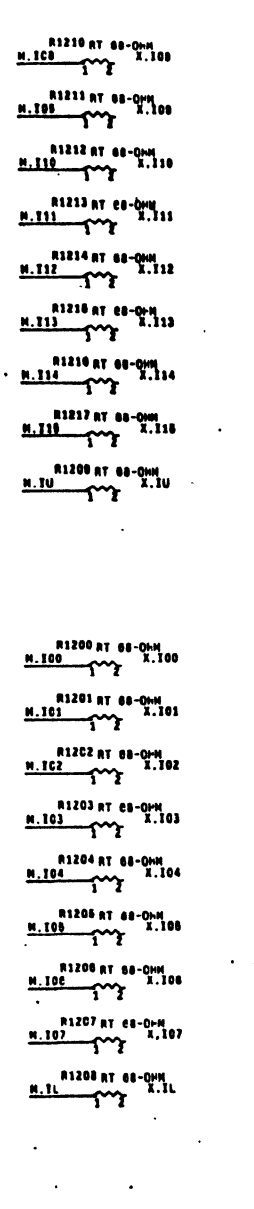
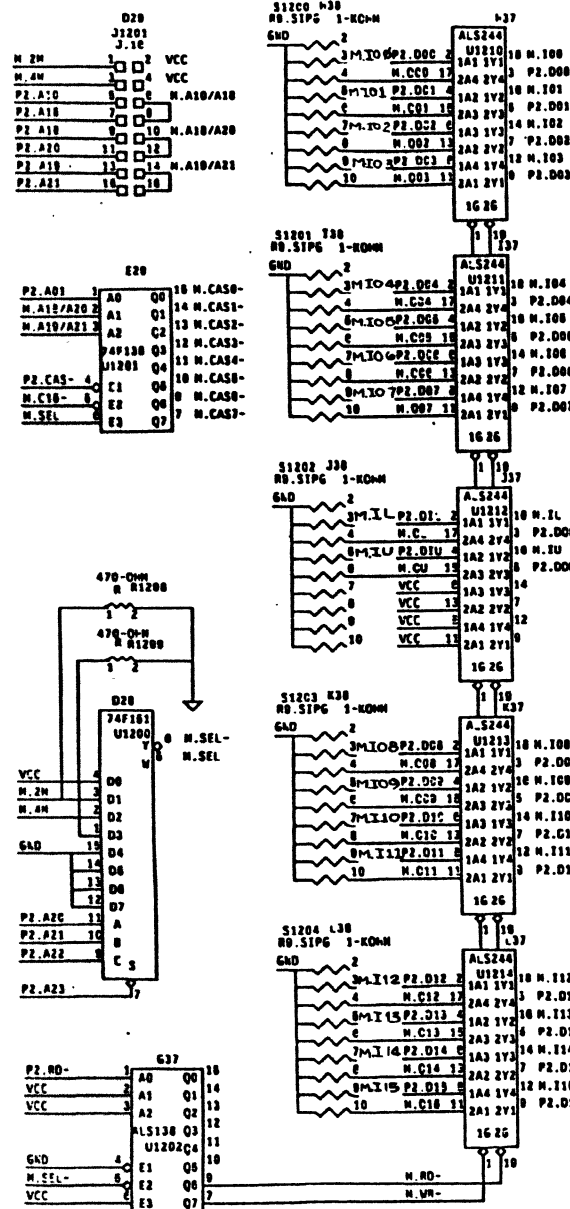
APPROVALS	DATE	SCHEMATIC MOD 50 () DRAWING NO 501-1005
DRAWN		
CHECKED		
DO NOT SCALE DRAWING		SHEETS

PROPRIETA SMI, SUN-2, FILE 31 [SM1], DATE 7-Oct-84 23:24, OF 19

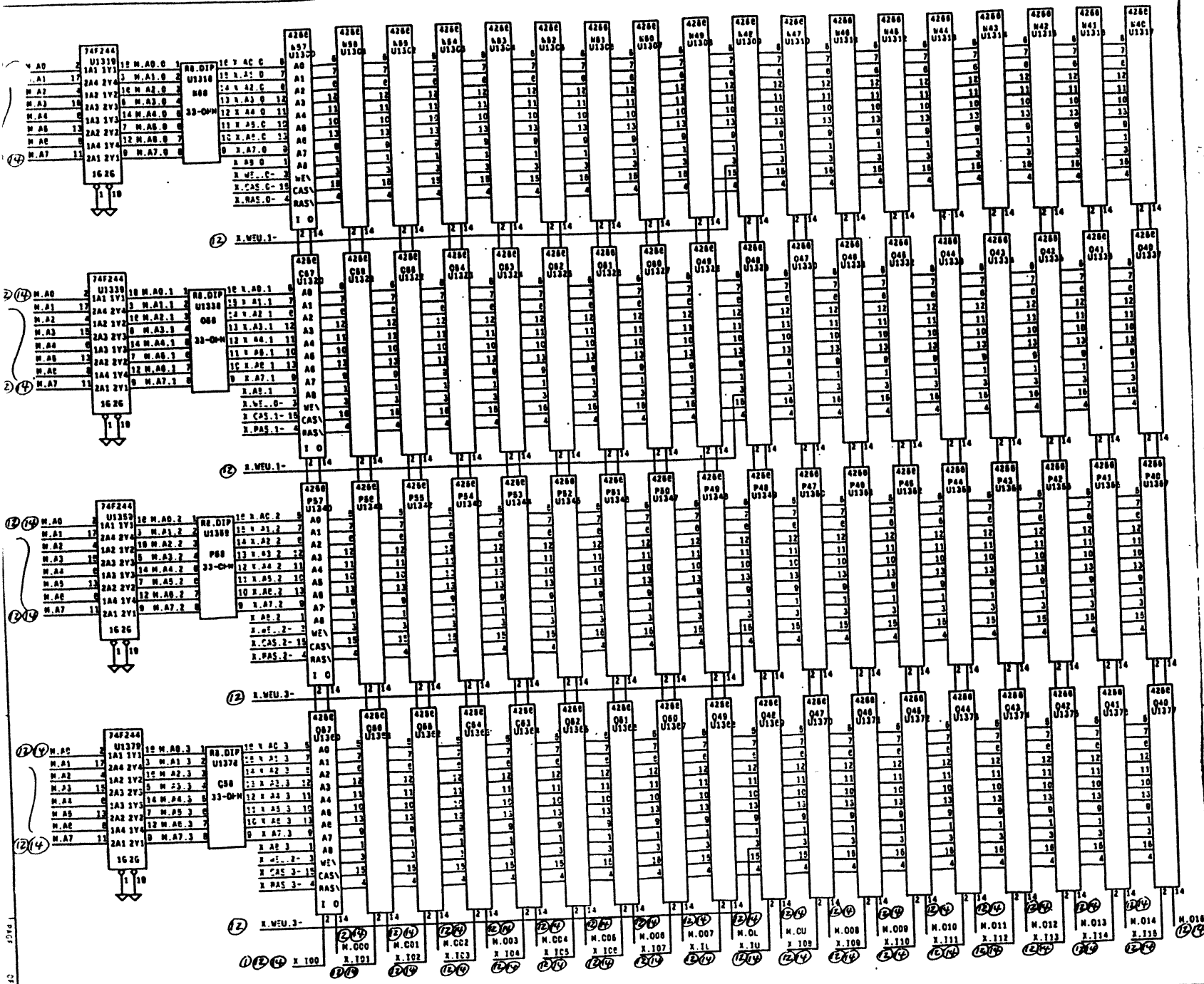


SUN MICROSYSTEMS		
APPROVALS	DATE	SCHEMATIC MOD 50 DRAWING NO 501-1005
DRAWN		
CHECKED		
DO NOT SCALE DRAWING		SHEET 10

CURRENT ECO		
REV	ECO #	DATE
		SEE SHT 1 10-12

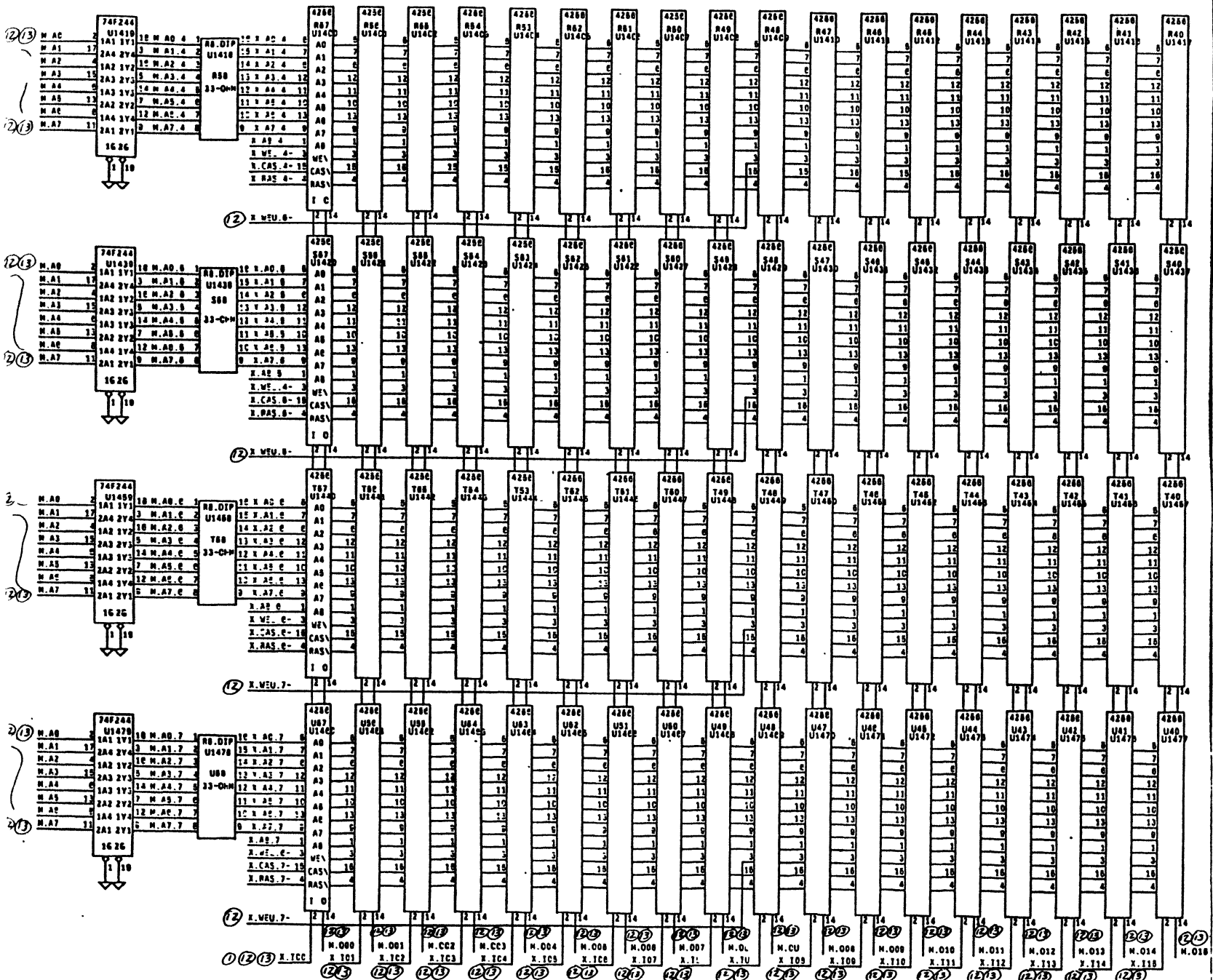


SUN MICROSYSTEMS		
APPROVALS	DATE	SCHEMA MOD 50
DRAWN		
CHECKED		
		DRAWING NO 50I-100
DO NOT SCALE DRAWING		SHLLT/



SUN MICROSYST

APPROVALS	DATE	SCHEM/ MOD 50
DRAWN		
CHECKED		
		DRAWING NO 501-100
DO NOT SCALE DRAWING		SHEET



SUN MICROSYSTEMS		
APPROVALS	DATE	SCHEMA MOD 50
DRAWN		
CHECKED		
		DRAWING NO 501-100
DO NOT SCALE DRAWING		SHEET 1/2

CURRENT ECO		
REV	ECO #	DA
	SEE SHT 1	10-1

PROPERTY OF SUN MICROSYSTEMS, INC. 1984

PROPERTY OF SUN MICROSYSTEMS, INC. 1984

FILE 156 (1SM1)

DATE 7-Oct-84 23:30

PAGE 15 OF 19

VCC
GND

00000000
00000000
00000000
00000000
00000000

VCC
GND

VCC
GND

VCC
GND

VCC
GND

VCC
GND

VCC
GND

VCC
GND

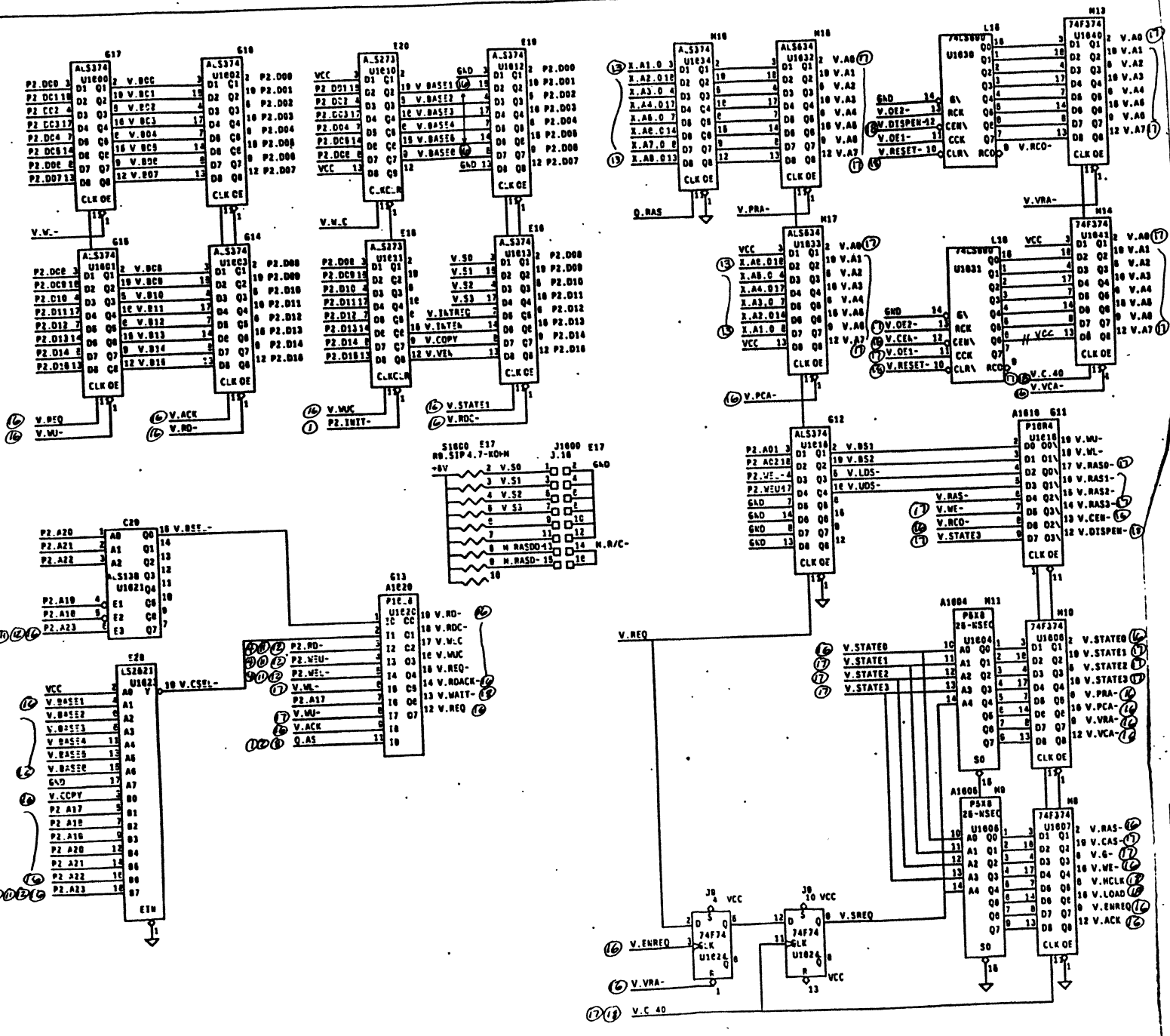
VCC
GND

VCC
GND

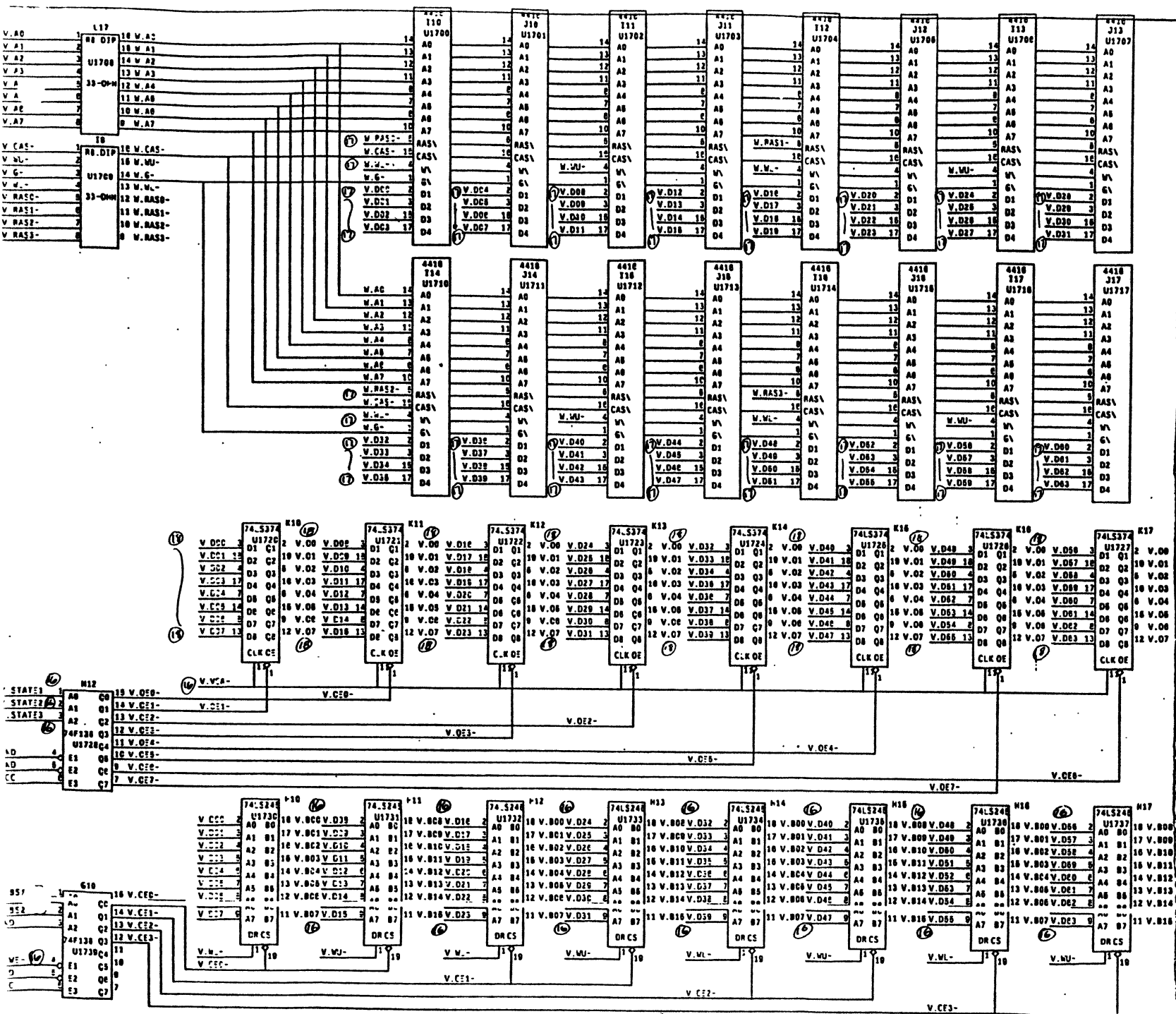
VCC
GND

SUN MICROSYSTEMS		
APPROVALS	DATE	SCHEMA MOD 50 DRAWING NO 50I-10C
DRAWN		
CHECKED		
DO NOT SCALE DRAWING		SHEET

SUN MICROSY		
APPROVALS	DATE	SCH MOD
DRAWN		
CHECKED		DRAWING # 501
DO NOT SCALE DRAWING		



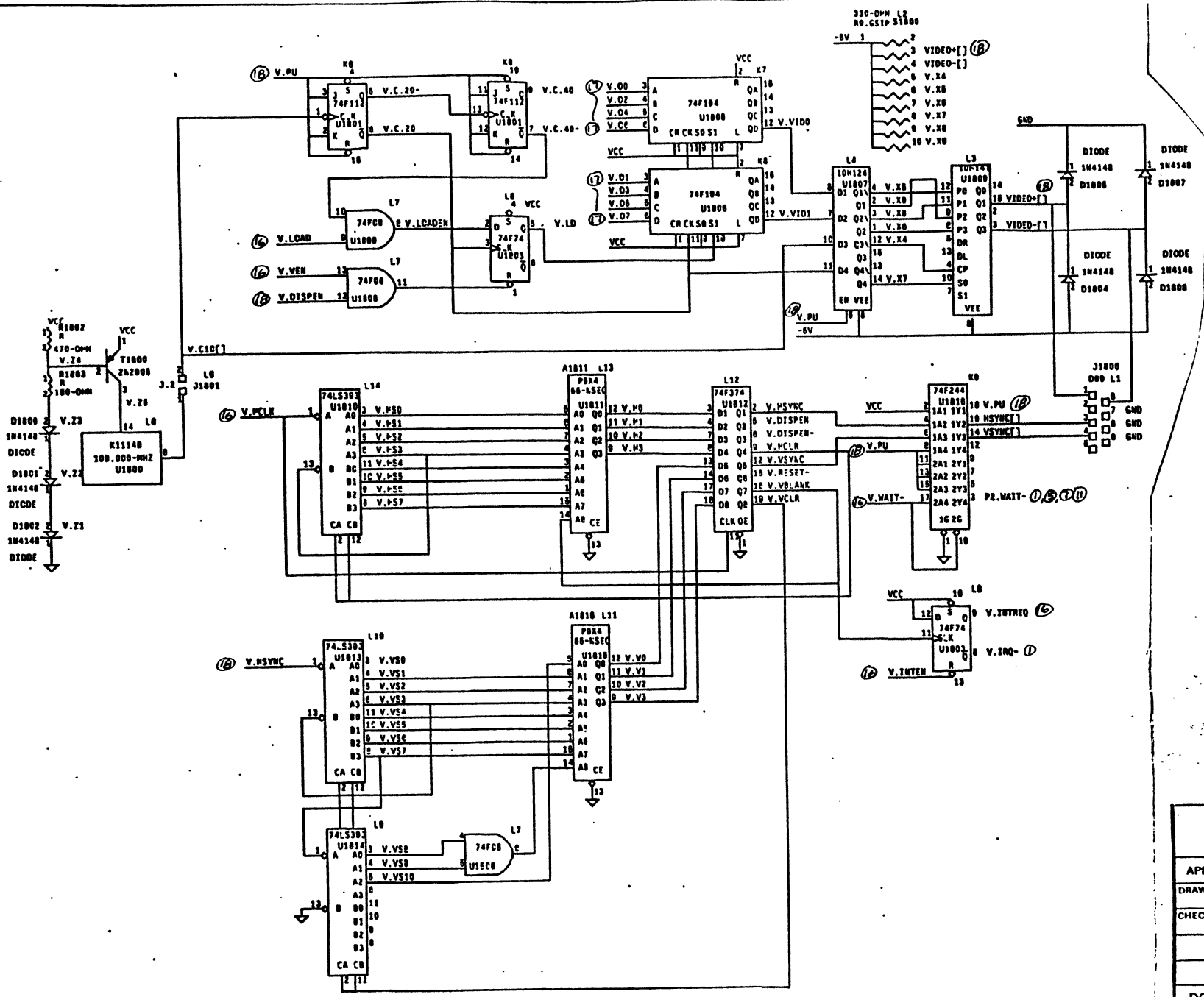
TITLE
 PROPRIETARY SMI, SUN-2, SINGLE BOARD.
 COMPUTER
 "TECH DEPARTMENT, STANFORD UNIVERSITY, STANFORD, CALIFORNIA 94305"
 FILE
 A16 [1SM1]
 DATE
 7-Oct-84 23:32
 PAGE
 16
 OF
 18



SUN MICROSYSTEMS

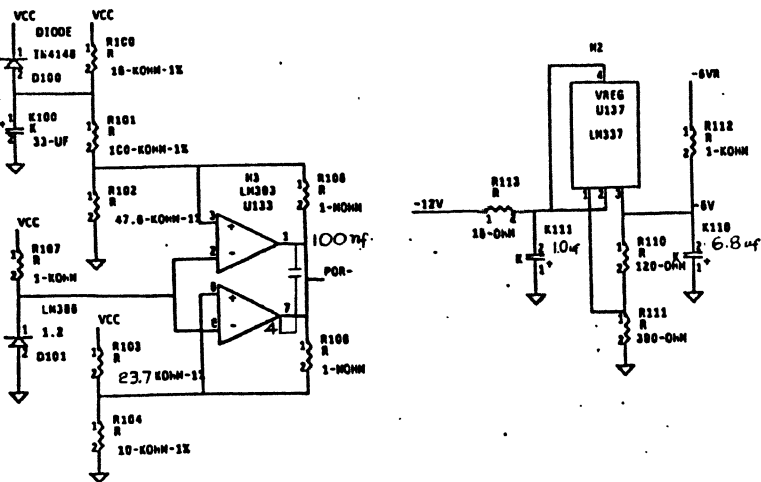
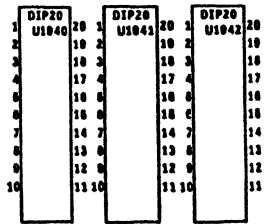
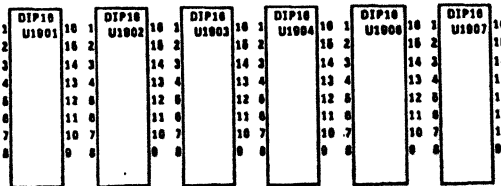
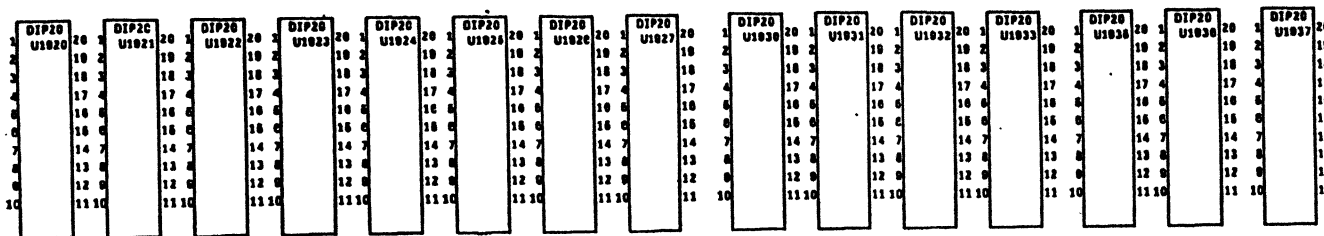
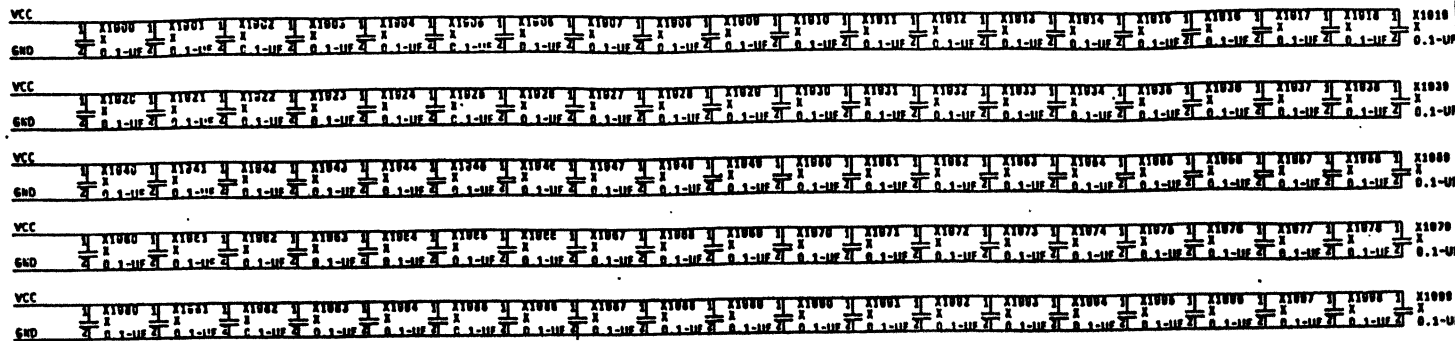
APPROVALS	DATE	SCHEMA MOD 50
DRAWN		
CHECKED		
		DRAWING NO 50I-100
DO NOT SCALE DRAWING		SHELL /

CURRENT ECO		
REV	ECO #	DATE
	SEE SHT 1	10-12-



TITLE: TARY SMI, SUN-2, VIDEO CONTROLLER, DATE: 7-Oct-84 23:30, PAGE: 18 OF 19

SUN MICROSYSTEMS		
APPROVALS	DATE	SCHEMATIC MOD 50 () DRAWING NO 50I-1005
DRAWN		
CHECKED		
DO NOT SCALE DRAWING		SHEET 1/1



SUN MICROSYSTEMS

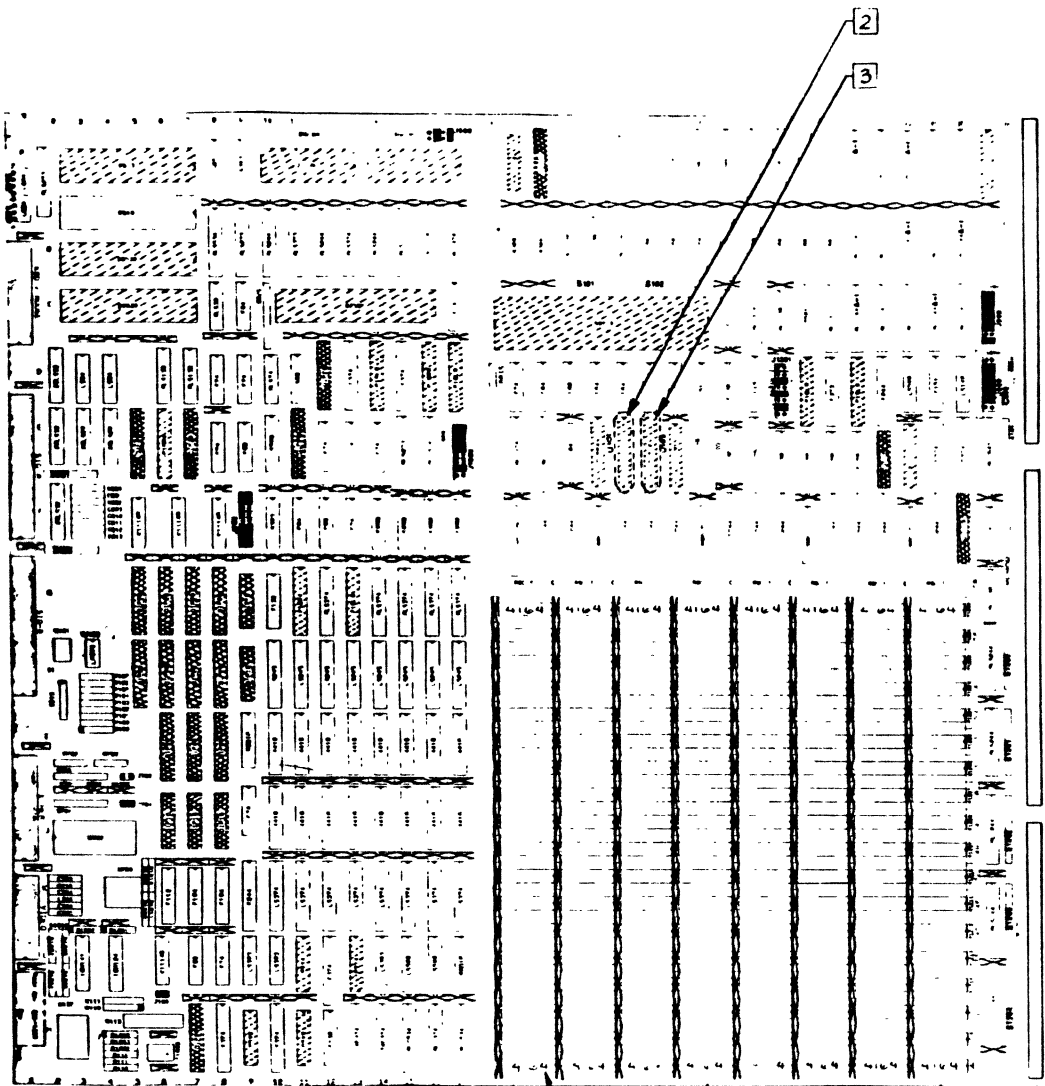
APPROVALS	DATE	SCHEMATIC MOD 50
DRAWN		
CHECKED		
		DRAWING NO. 501-1005
DO NOT SCALE DRAWING		SHLL20

TITLE
PROC2R, ARY SMI, SUN-2, CAPS,

FILE
A19[1SMI]

DATE
7-Oct-84 23:34

PAGE
19 OF 19



501-1005		1	DATE
FORM NO.	REV.	DESCRIPTION	DATE
0850	1	ECO 1447	10/85
0851	1	ECO = 1342	2/11
0950	1	ENGR. REL. ECO 1409	2/13
10A	1	PROD. REL. ECO 1456	3/18
11A	1	CHNG PER ECO # 1499	4/22

NOTES:
 1. REFERENCE B.O.M. FOR CORRECT PAL, PROM PART AND REVISION NUMBERS.
 2. LIFT PIN 9 OF UI01 (520-1086-03)
 3. WIRE PIN 9 OF UI01 TO PIN 3 OF UI03 (520-1087-01).
 NOTE: PIN 3 OF UI03 IS NOT LIFTED.

QTY	REV	PART NO	DESCRIPTION	DATE
1	1	501-1005	ASSEMBLY INSTRUCTION	1/2/85

UNLESS OTHERWISE SPECIFIED DIMENSIONS ARE IN INCHES TOLERANCES ARE FRACTIONS DECIMALS ANGLES IN DEGREES

MATERIAL	APPROVALS	DATE
	J. Ray	1/2/85
FINISH	CHECKED	DATE
	J. Ray	1/2/85
REVISION	REVISION	DATE

ASSEMBLY INSTRUCTION
 MODEL 50 SINGLE BOARD
 COMPONENT WIRING

SCALE: 1:1