

| ECO | Description | Date | Approvals |
|-----|-------------|------|-----------|
| | | | |

| ECO HISTORY | | | |
|-------------|-----|---------------------------|---------|
| ZONE | REV | DESCRIPTION | DATE |
| -01 | A | PROD. REL. PER ECO # 3014 | 7-10-87 |
| -01 | B | REV. CHNG. PER ECO #3680 | 7-27-87 |
| -01 | C | REV. CHNG. PER ECO #3725 | 3-14-88 |
| -01 | D | REV. CHNG. PER ECO #3885 | 4-5-88 |

SHEET REVISION

| SHEET | 1 | 2 | 3 | 4 | 5 | 6 | 7 | 8 | 9 | 10 | 11 | 12 | 13 | 14A | 14B | 15 | 16 | 17 | 18 | 19 |
|-------|---|---|---|---|---|---|---|---|---|----|----|----|----|-----|-----|----|----|----|----|----|
| REV | A | C | A | D | A | A | A | A | A | A | A | A | A | A | A | A | A | A | A | A |

| SHEET | 20 | 21 | 22 | 23 | 24 | 25 | 26 | 27 | 28 | 29 | 30 | 31 | 32 | 33 | 34 | 35 | 37 | 38 | 39 | 40 |
|-------|----|----|----|----|----|----|----|----|----|----|----|----|----|----|----|----|----|----|----|----|
| REV | A | A | A | A | A | A | A | A | A | A | A | A | A | A | A | A | | | | |



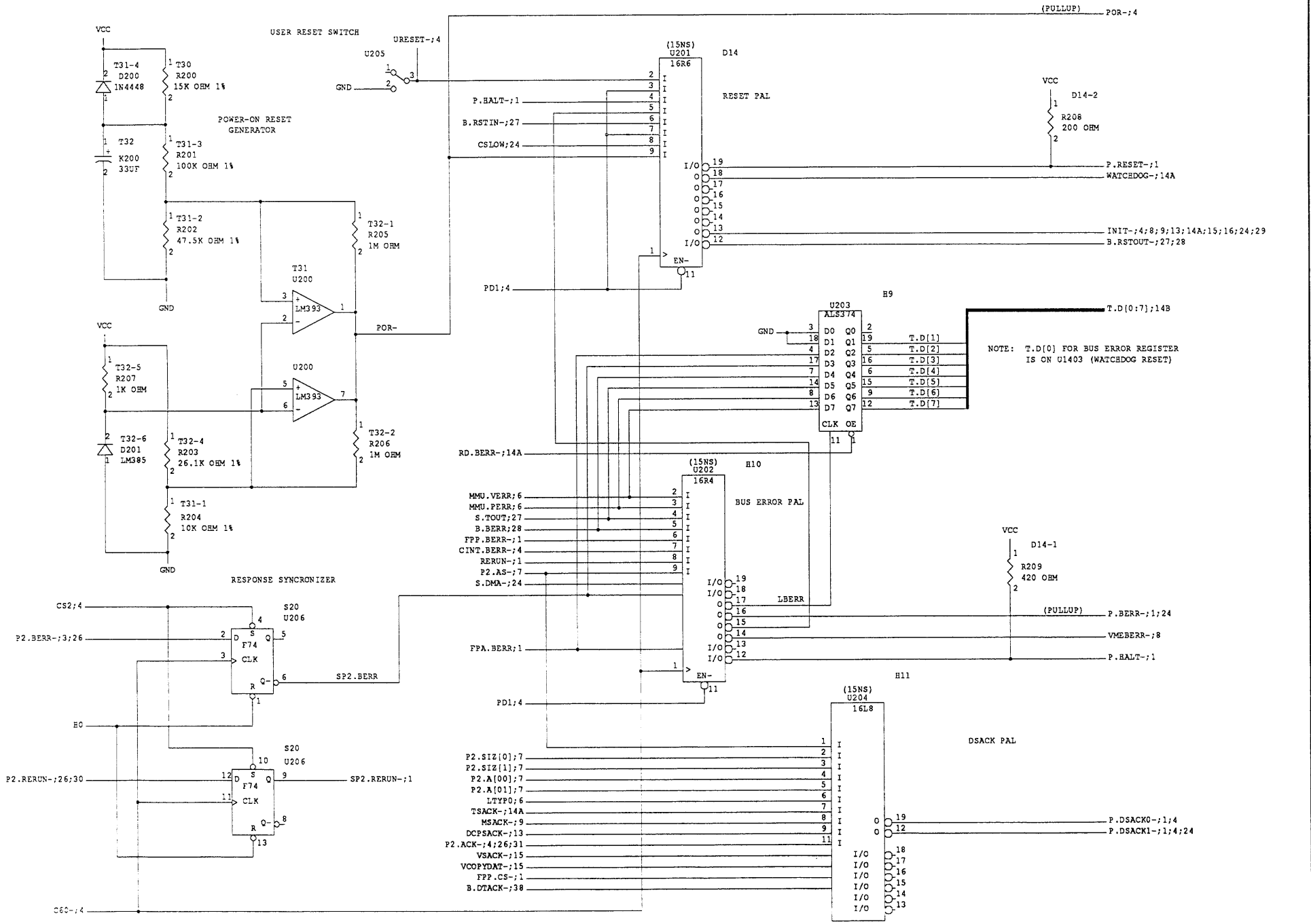
Confidential - Copyright (C) 1986 Sun Microsystems. All rights reserved.
 This material contains trade secrets information of Sun Microsystem Inc.
 Use, reproduction or disclosure is prohibited except under written license
 by Sun Microsystems' Inc. Use of copyright notice is precautionary only
 and does not imply publication or disclosure.

Title: FLOATING POINT ACCELERATOR
 Sheet: COVER
 Engineer:

Drawing: 502-1208-01
 File: cover.d
 Date: Tue Jun 7 11:36:19 1988

Rev: D

| ECO | Description | Date | Approvals |
|-----|-------------|------|-----------|
|-----|-------------|------|-----------|



NOTE: T.D[0] FOR BUS ERROR REGISTER IS ON U1403 (WATCHDOG RESET)



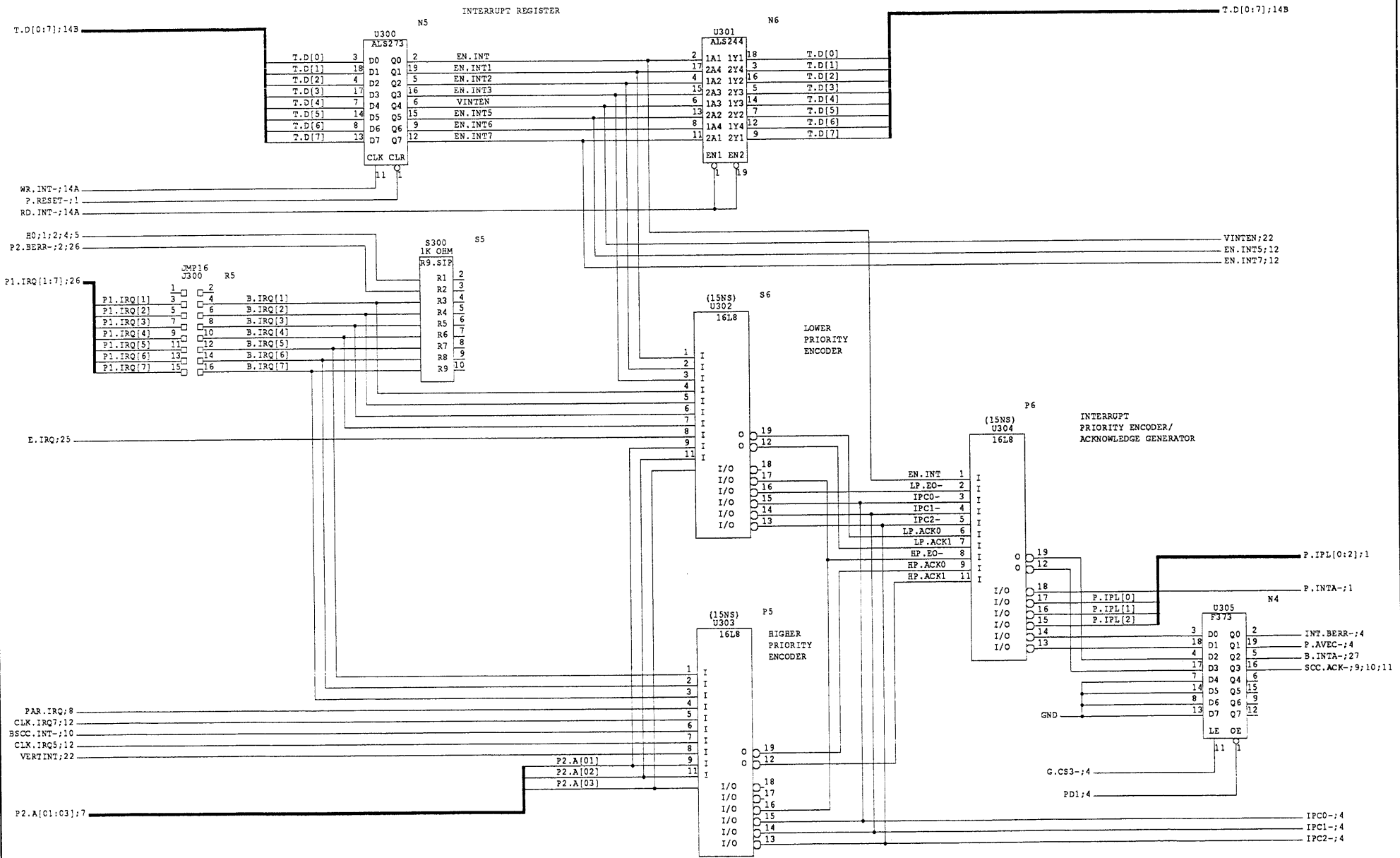
Confidential - Copyright (C) 1986 Sun Microsystems. All rights reserved. This material contains trade secrets information of Sun Microsystems Inc. Use, reproduction or disclosure is prohibited except under written license by Sun Microsystems Inc. Use of copyright notice is precautionary only and does not imply publication or disclosure.

Title: SCHEMATIC, CARRERA CPU, 4MB SUN3
 Sheet: 2 OF 35
 Engineer: K. MOBLEY

Drawing: 502-1208-01
 File: sh2.d
 Date: Tue Jun 7 12:03:26 1988

Rev: C

| ECO | Description | Date | Approvals |
|-----|-------------|------|-----------|
|-----|-------------|------|-----------|



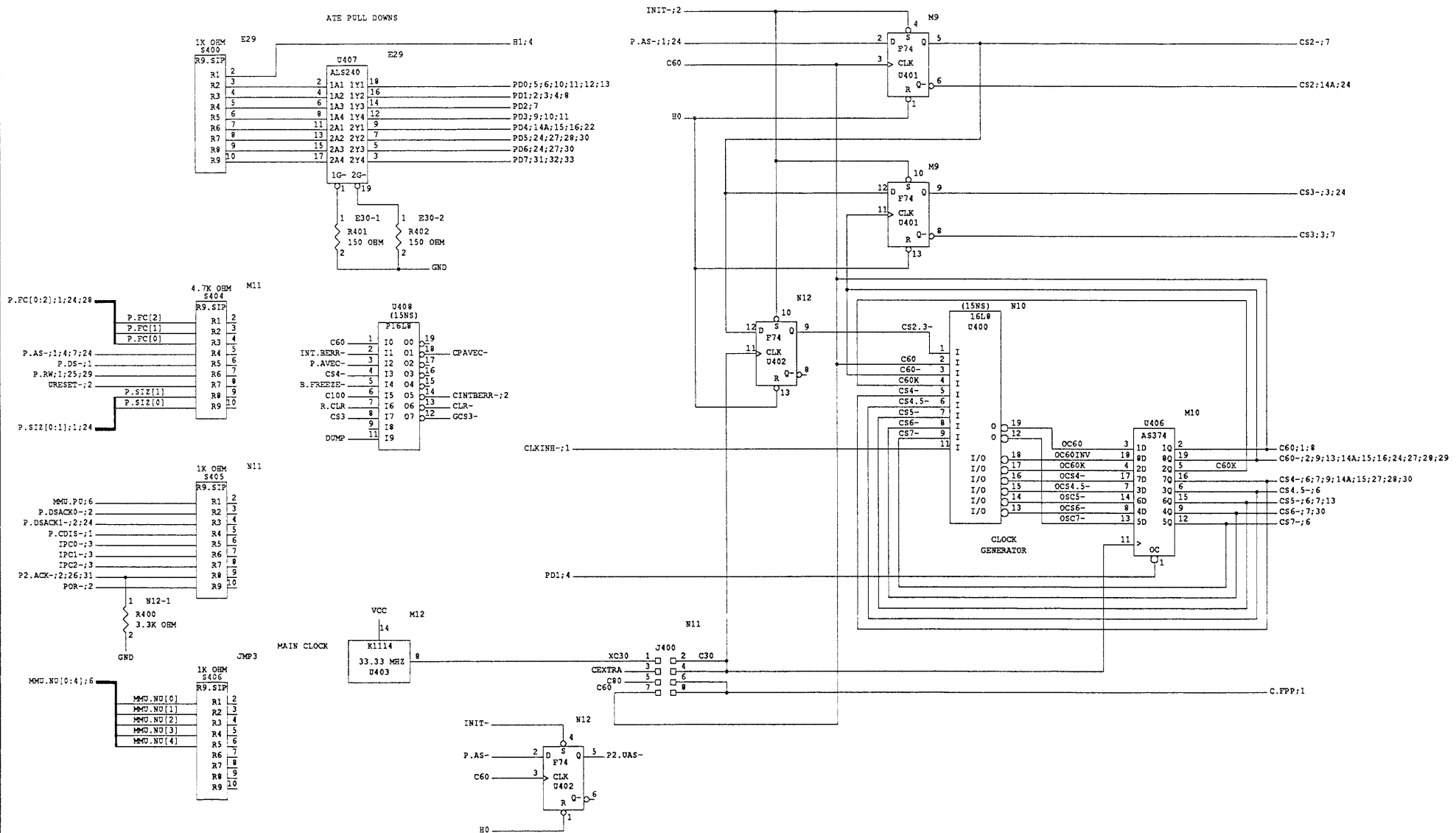
Confidential - Copyright (C) 1986 Sun Microsystems. All rights reserved. This material contains trade secrets information of Sun Microsystems Inc. Use, reproduction or disclosure is prohibited except under written license by Sun Microsystems Inc. Use of copyright notice is precautionary only and does not imply publication or disclosure.

Title: SCHEMATIC, CARRERA CPU, 4MB SUN3
 Sheet: 3 OF 35
 Engineer: K. MOBLEY

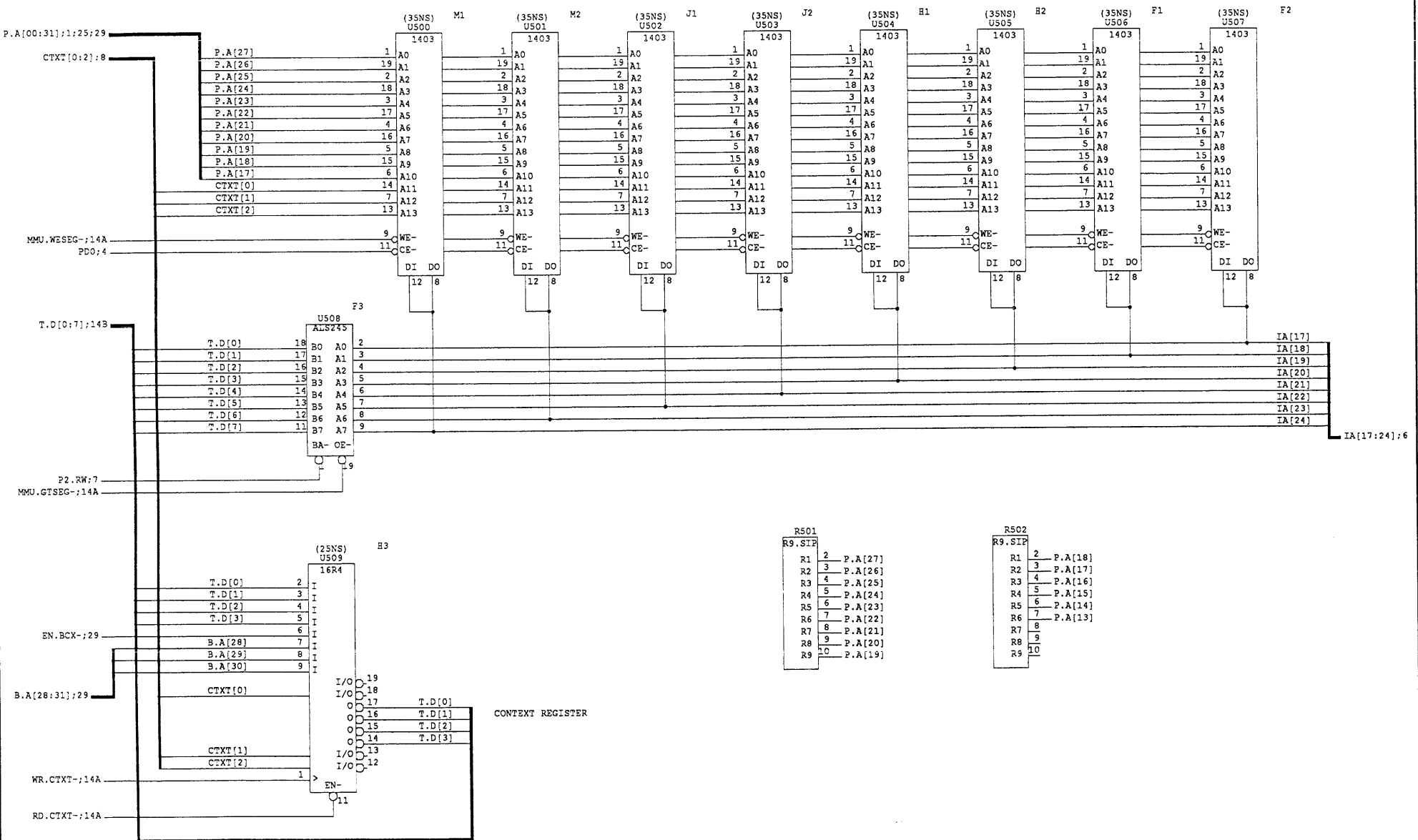
Drawing: 502-1208-01
 File: sh3.d
 Date: Tue Jun 7 12:07:59 1988

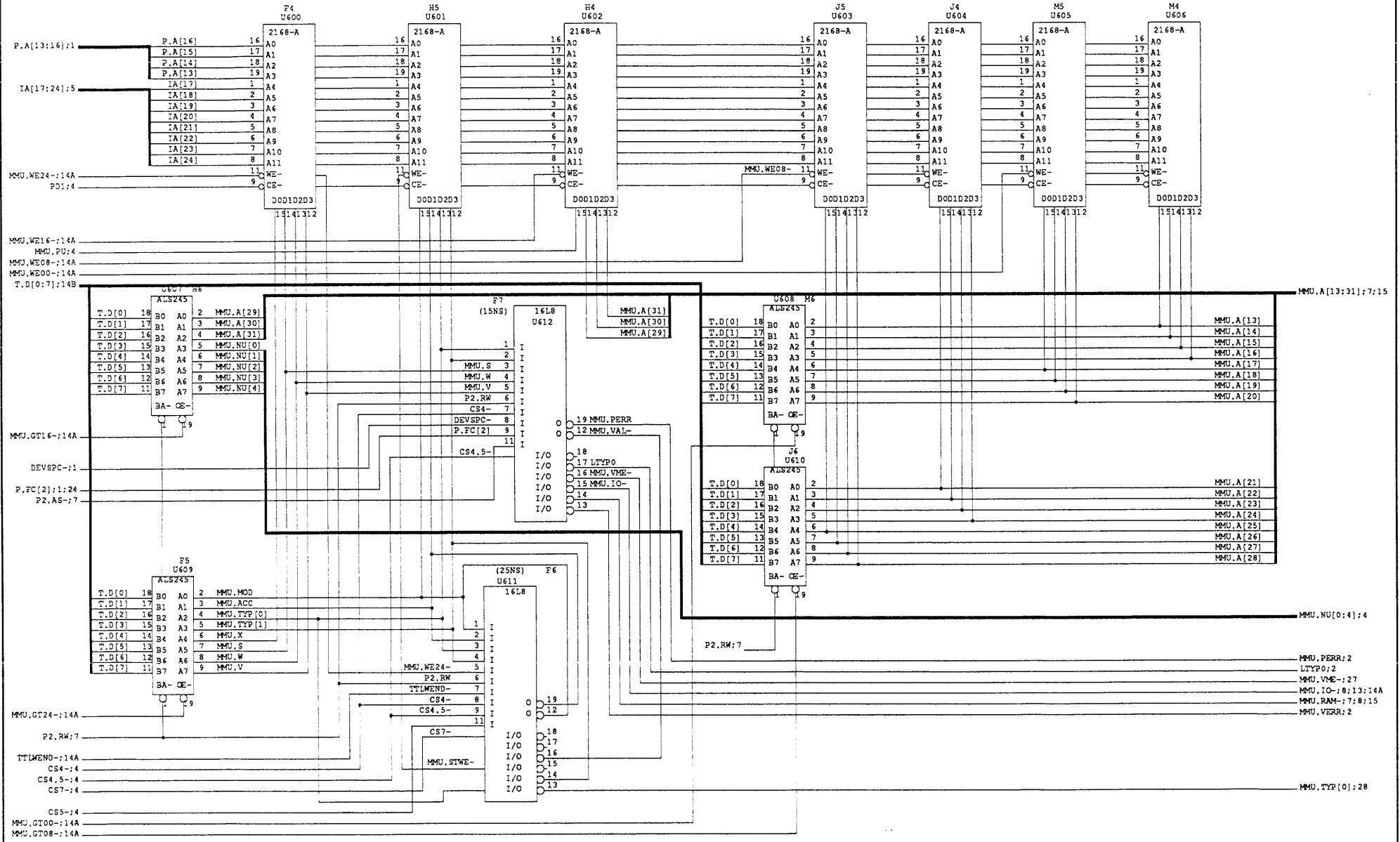
Rev: A

| ECO | Description | Date | Approvals |
|-----|-------------|------|-----------|
| | | | |



SEGMENT RAMS



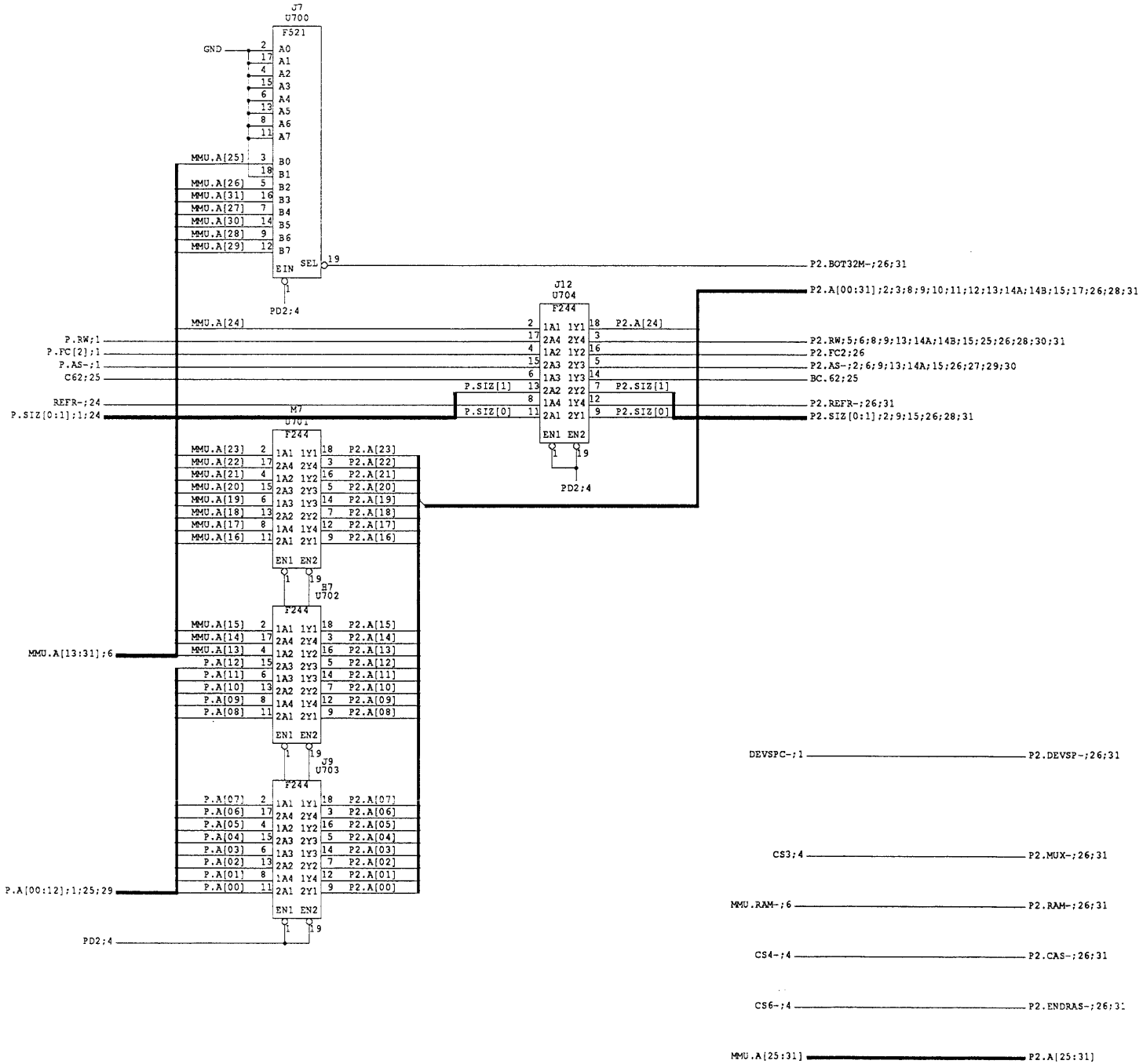


Confidential - Copyright (C) 1986 Sun Microsystems. All rights reserved. This material contains trade secrets information of Sun Microsystems Inc. Use, reproduction or disclosure is prohibited except under written license by Sun Microsystems Inc. Use of copyright notice is precautionary only and does not imply publication or disclosure.

Title: SCHEMATIC, CARRERA CPU, 4MB SUN3
 Sheet: 6 OF 35
 Engineer: K. MOBLEY

Drawing: 502-1208-01
 File: sh.6.d
 Date: Tue Jun 7 12:13:58 1988
 Rev: A

| ECO | Description | Date | Approvals |
|-----|-------------|------|-----------|
|-----|-------------|------|-----------|

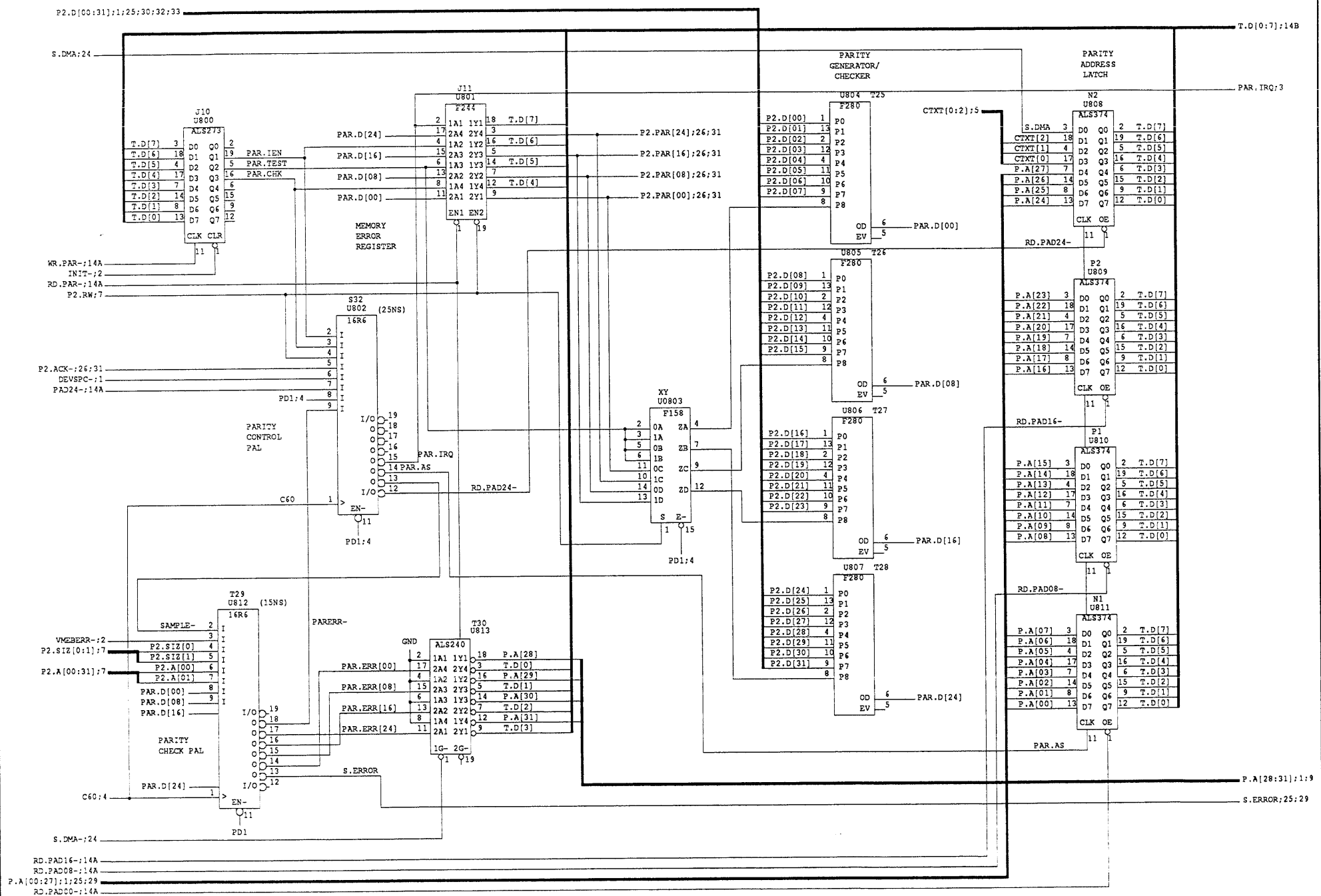


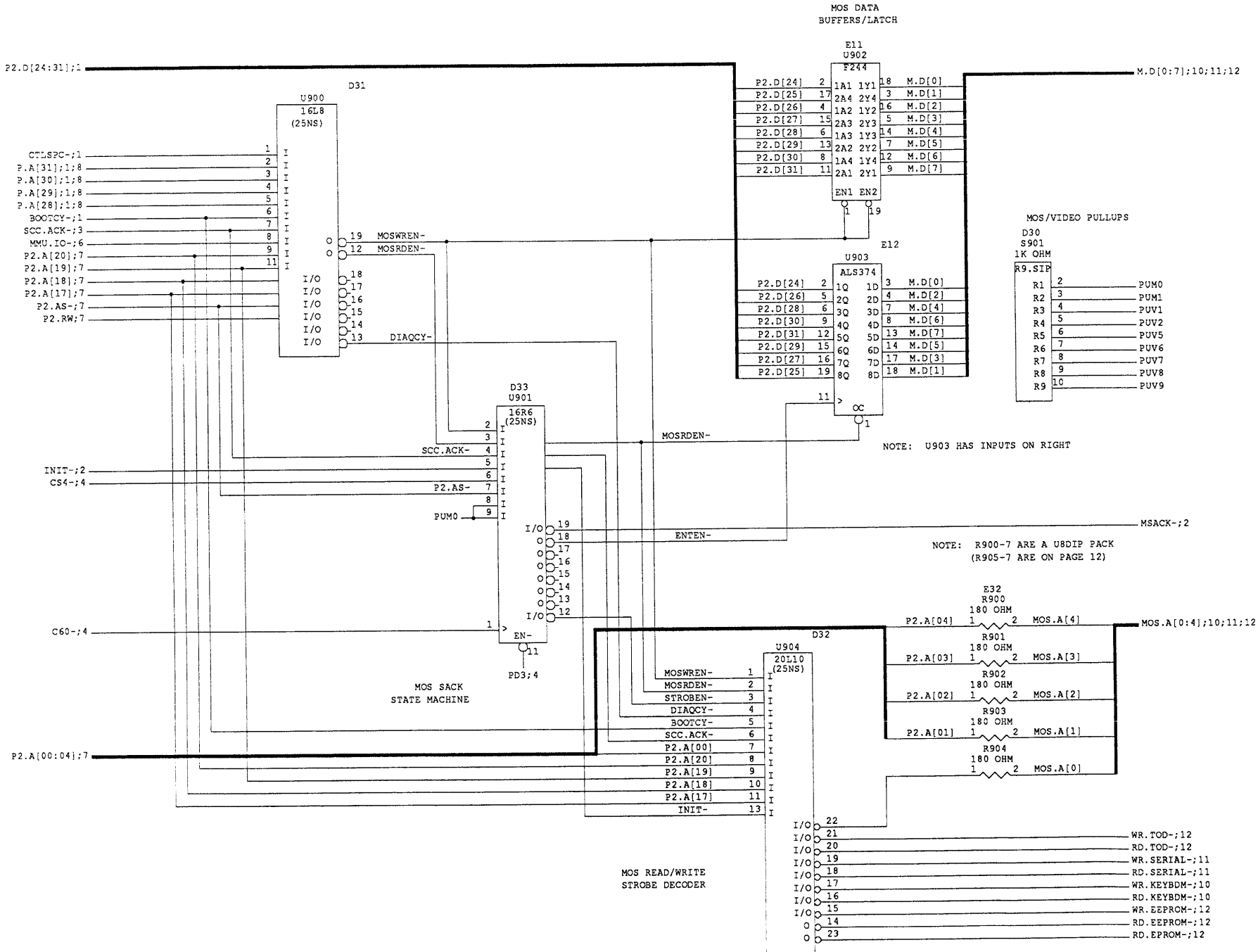
Confidential - Copyright (C) 1986 Sun Microsystems. All rights reserved. This material contains trade secrets information of Sun Microsystems Inc. Use, reproduction or disclosure is prohibited except under written license by Sun Microsystems Inc. Use of copyright notice is precautionary only and does not imply publication or disclosure.

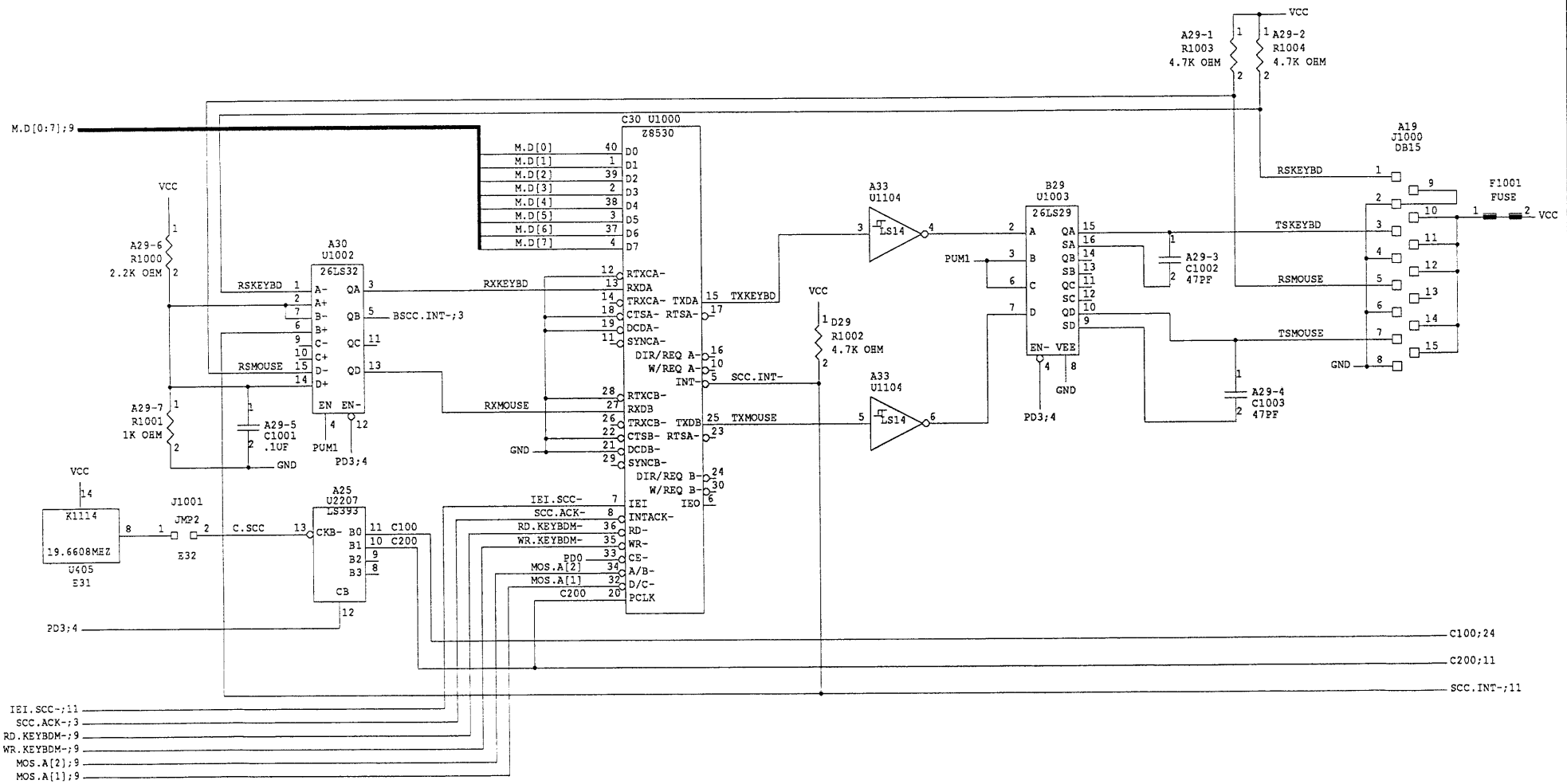
Title: SCHEMATIC, CARRERA CPU, 4MB SUN3
 Sheet: 7 OF 35
 Engineer: K. MOBLEY

Drawing: 502-1208-01
 File: sh7.d
 Date: Tue Jun 7 12:14:23 1988

Rev: A

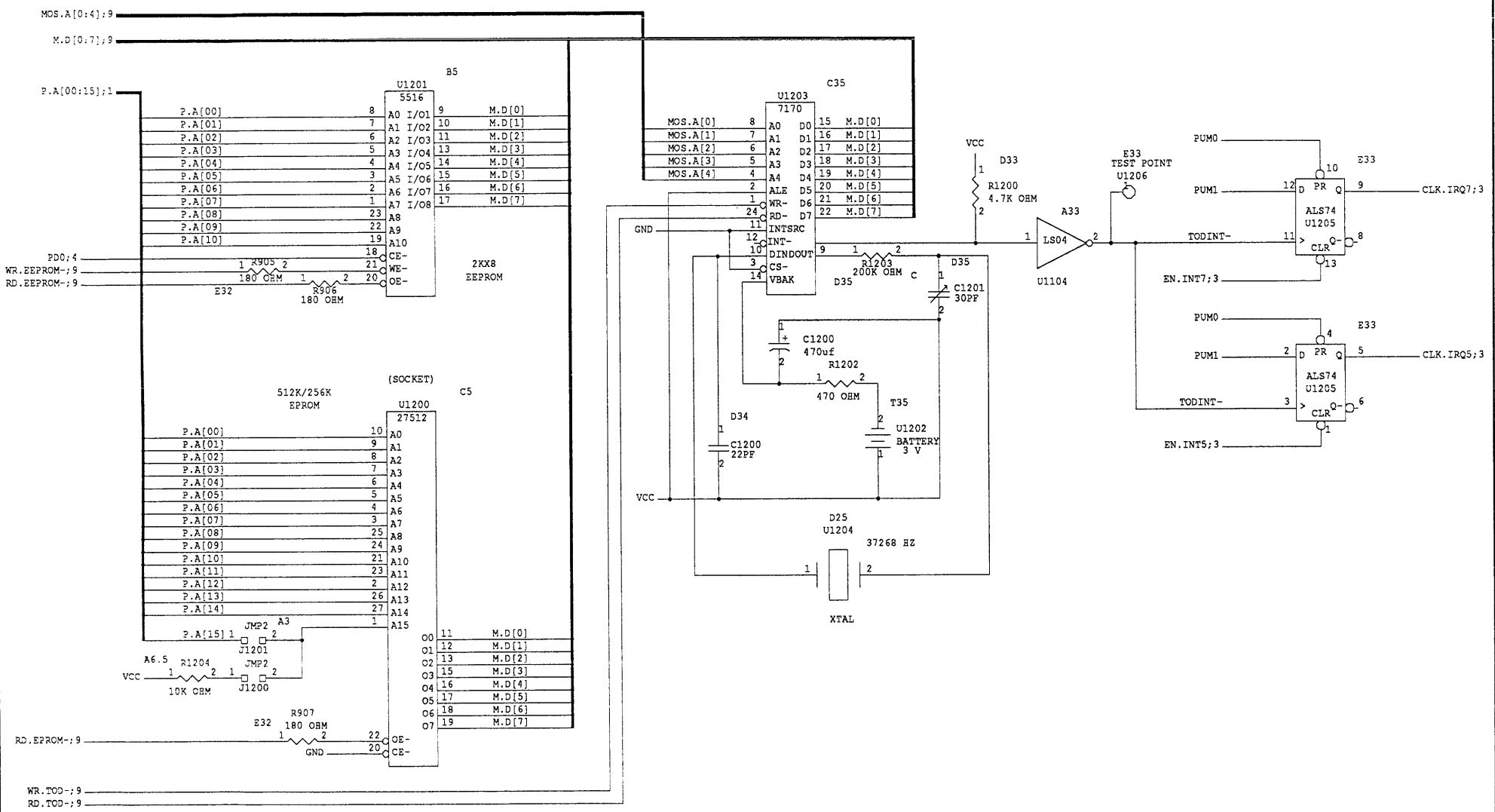






Confidential - Copyright (C) 1986 Sun Microsystems. All rights reserved. This material contains trade secrets information of Sun Microsystem Inc. Use, reproduction or disclosure is prohibited except under written license by Sun Microsystems Inc. Use of copyright notice is precautionary only and does not imply publication or disclosure.

| ECO | Description | Date | Approvals |
|-----|-------------|------|-----------|
|-----|-------------|------|-----------|

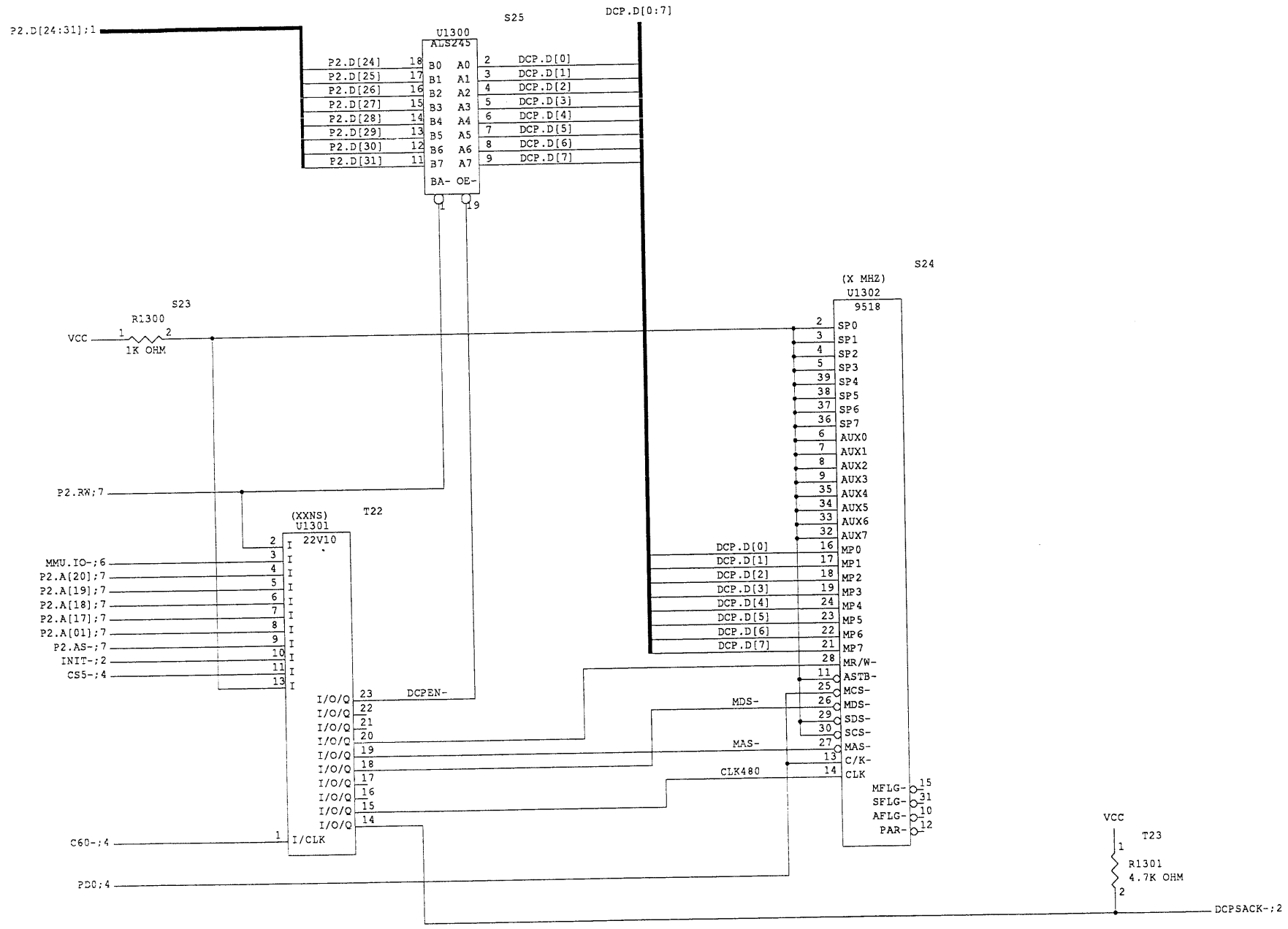


Confidential - Copyright (C) 1986 Sun Microsystems. All rights reserved. This material contains trade secrets information of Sun Microsystems Inc. Use, reproduction or disclosure is prohibited except under written license by Sun Microsystems Inc. Use of copyright notice is precautionary only and does not imply publication or disclosure.

Title: SCHEMATIC, CARRERA CPU, 4MB SUN3
 Sheet: 12 OF 35
 Engineer: K. MOBLEY

Drawing: 502-1208-01
 File: sh12.d
 Date: Tue Jun 7 12:00:18 1988
 Rev: A

| ECO | Description | Date | Approvals |
|-----|-------------|------|-----------|
|-----|-------------|------|-----------|



NOTE: SOCKET U1300 U1301 U1302
DON'T STUFF

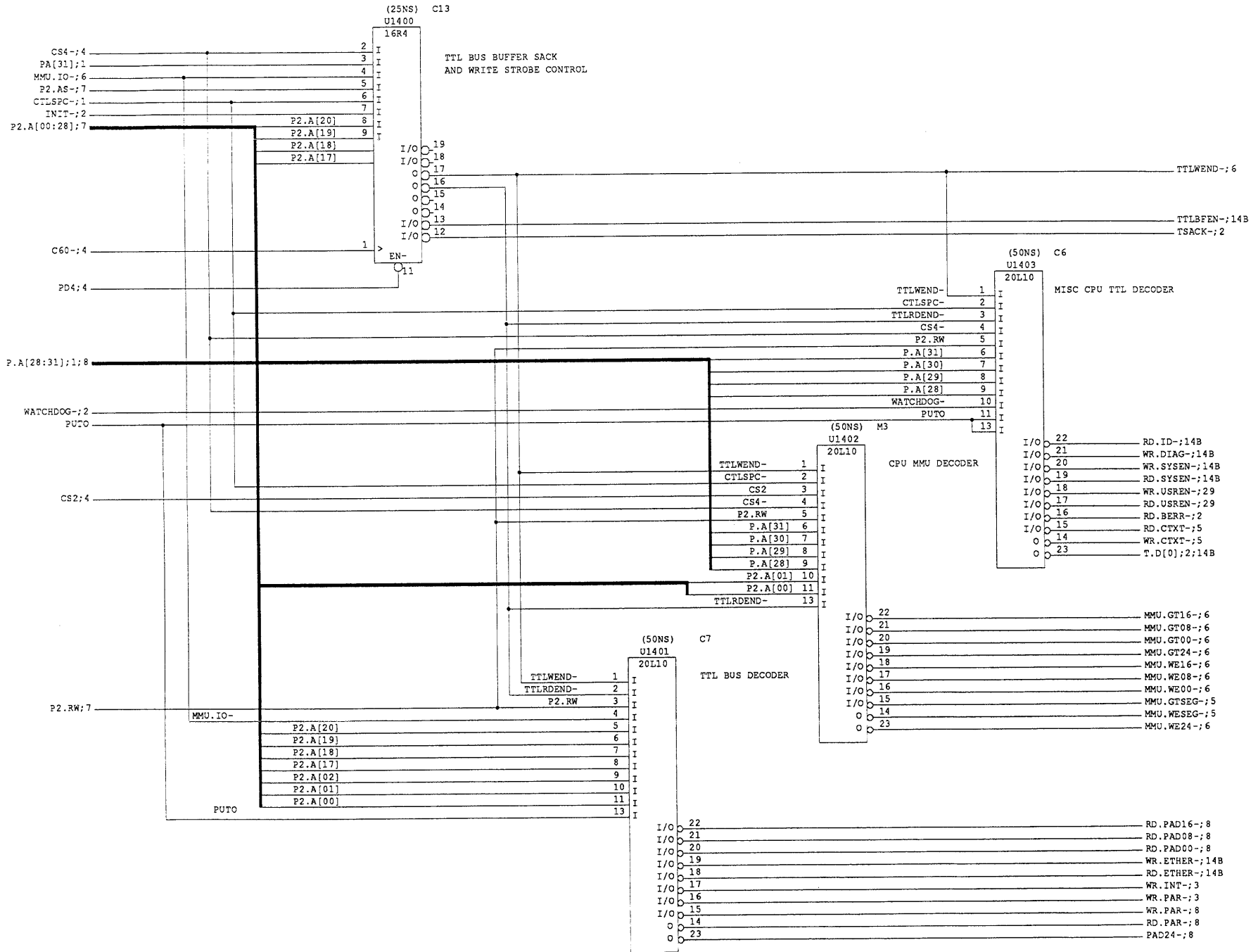


Confidential - Copyright (C) 1986 Sun Microsystems. All rights reserved. This material contains trade secrets information of Sun Microsystems Inc. Use, reproduction or disclosure is prohibited except under written license by Sun Microsystems Inc. Use of copyright notice is precautionary only and does not imply publication or disclosure.

Title: SCHEMATIC, CARRERA CPU, 4MB SUN3
Sheet: 13 OF 35
Engineer: K. MOBLEY

Drawing: 502-1208-01
File: sh13 d
Date: Tue Jun 7 12:00:42 1988
Rev: A

| ECO | Description | Date | Approvals |
|-----|-------------|------|-----------|
| | | | |



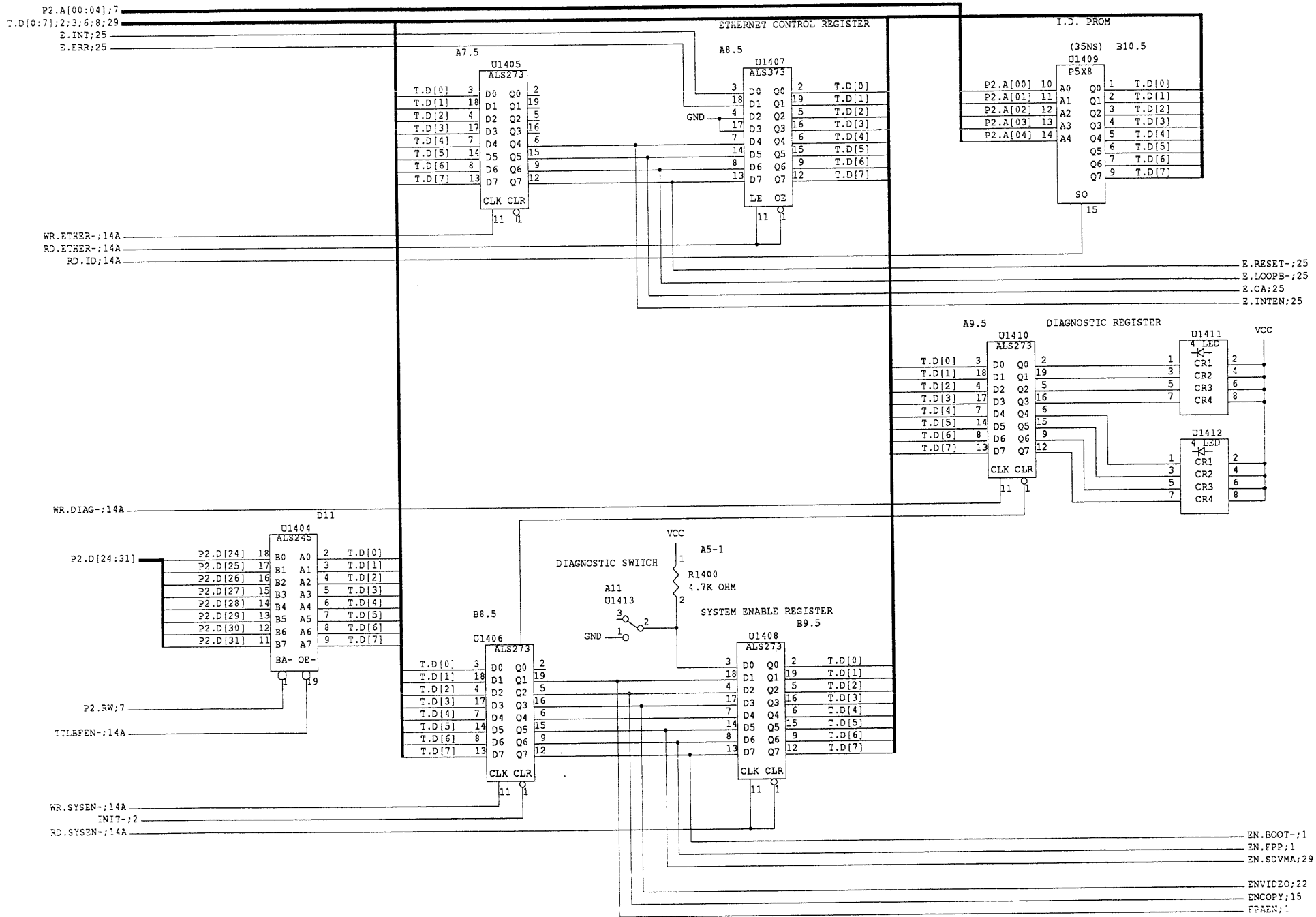
Confidential - Copyright (C) 1986 Sun Microsystems. All rights reserved.
 This material contains trade secrets information of Sun Microsystem Inc.
 Use, reproduction or disclosure is prohibited except under written license
 by Sun Microsystems Inc. Use of copyright notice is precautionary only
 and does not imply publication or disclosure.

Title: SCHEMATIC CPU CARRERA 4MG SUN3
 Drawing: 502-1208-01
 Rev: A

Sheet: 14A OF 35
 File: sh14a.d

Engineer: K.MOBLEY
 Date: Tue Jun 7 12:01:01 1988

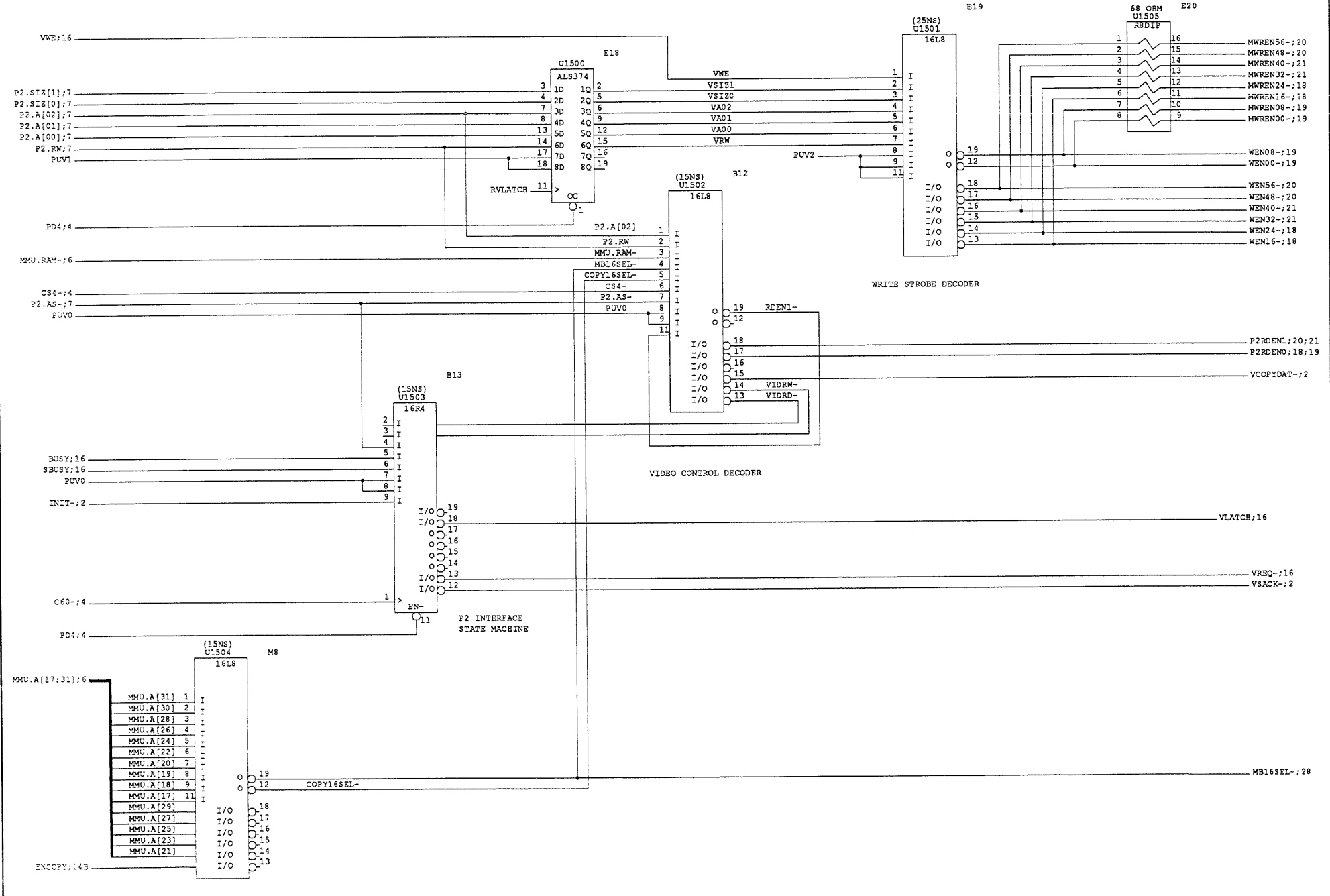
| ECO | Description | Date | Approvals |
|-----|-------------|------|-----------|
|-----|-------------|------|-----------|



Confidential - Copyright (C) 1986 Sun Microsystems. All rights reserved. This material contains trade secrets information of Sun Microsystems Inc. Use, reproduction or disclosure is prohibited except under written license by Sun Microsystems Inc. Use of copyright notice is precautionary only and does not imply publication or disclosure.

Title: SCHEMATIC CPU CARRERA 4MG SUN3
 Sheet: 14B OF 35
 Engineer: K.MOBLEY
 Drawing: 502-1208-01
 File: sh14b.d
 Date: Tue Jun 7 12:01:27 1988
 Rev: A

| ECO | Description | Date | Approvals |
|-----|-------------|------|-----------|
|-----|-------------|------|-----------|

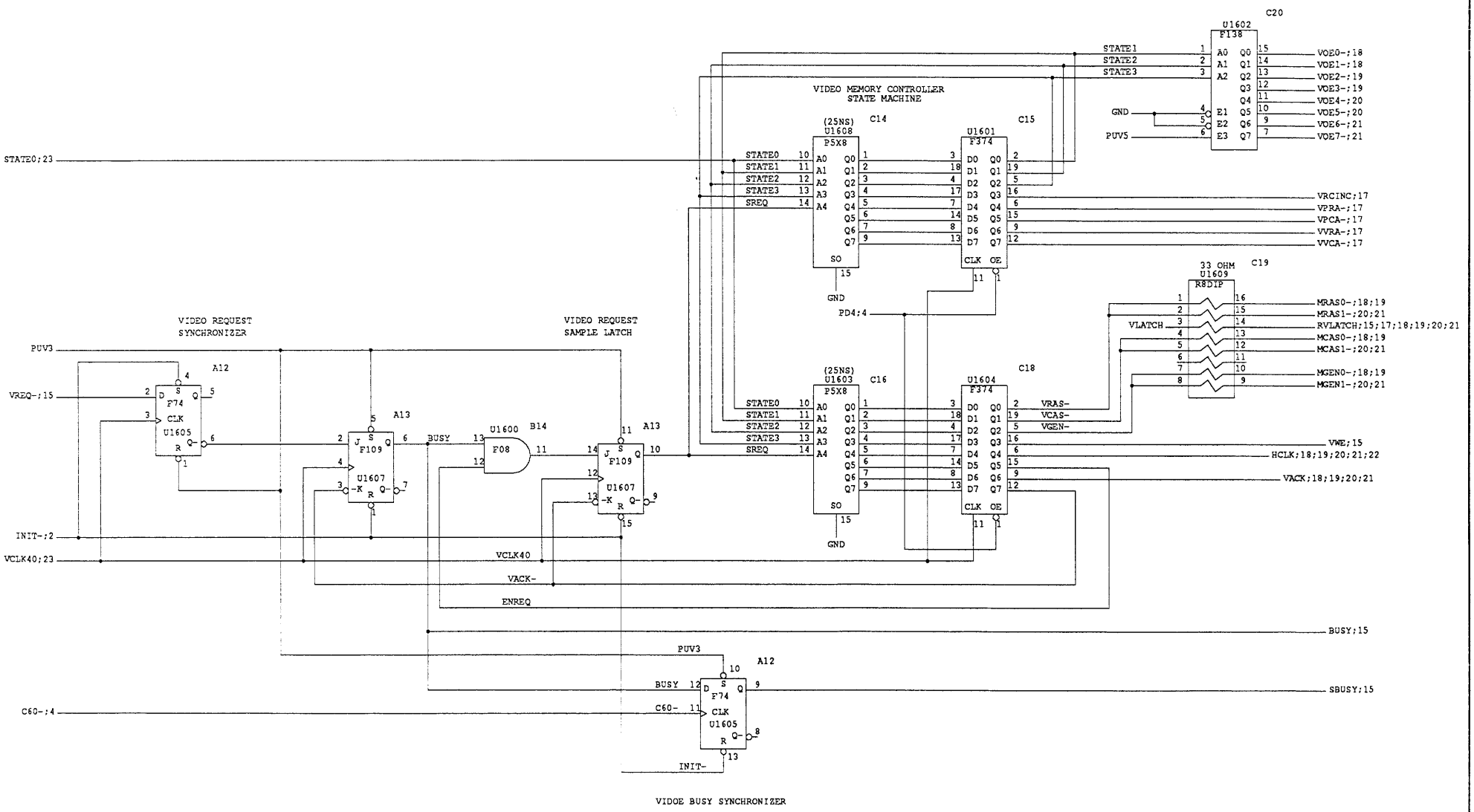


Confidential - Copyright (C) 1986 Sun Microsystems. All rights reserved. This material contains trade secrets information of Sun Microsystems Inc. Use, reproduction or disclosure is prohibited except under written license by Sun Microsystems Inc. Use of copyright notice is precautionary only and does not imply publication or disclosure.

Title: SCHEMATIC, CARRERA CPU, 4MB SUN3
 Sheet: 15 OF 35
 Engineer: K. MOBLEY

Drawing: 502-1208-01
 File: sh15.d
 Date: Tue Jun 7 12:01:47 1986
 Rev: A

| ECO | Description | Date | Approvals |
|-----|-------------|------|-----------|
|-----|-------------|------|-----------|

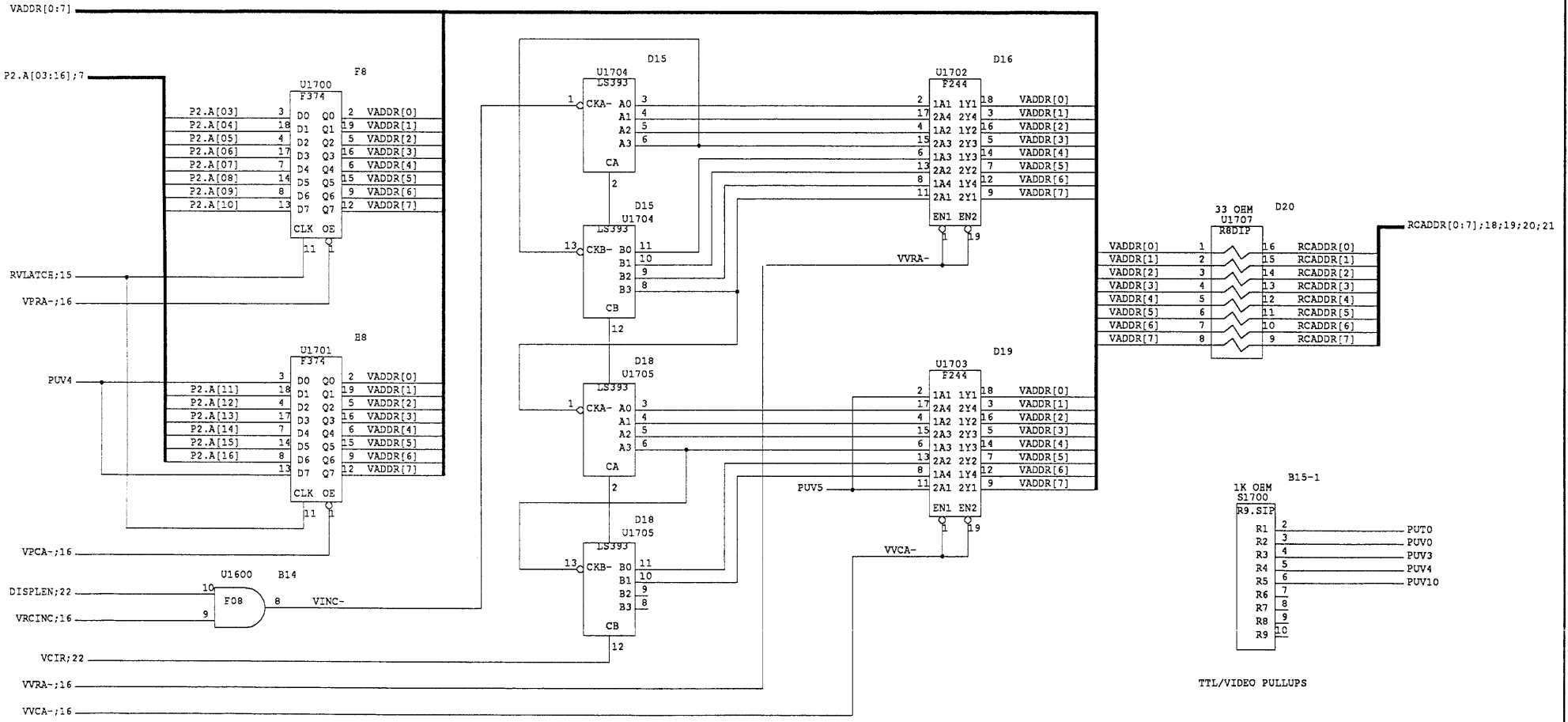


Confidential - Copyright (C) 1986 Sun Microsystems. All rights reserved. This material contains trade secrets information of Sun Microsystems Inc. Use, reproduction or disclosure is prohibited except under written license by Sun Microsystems Inc. Use of copyright notice is precautionary only and does not imply publication or disclosure.

Title: SCHEMATIC, CARRERA CPU, 4MB SUN3
 Sheet: 16 OF 35
 Engineer: K. MOBLEY

Drawing: 502-1208-01
 File: sh16.d
 Date: Tue Jun 7 12:02:07 1988
 Rev: A

| ECO | Description | Date | Approvals |
|-----|-------------|------|-----------|
|-----|-------------|------|-----------|

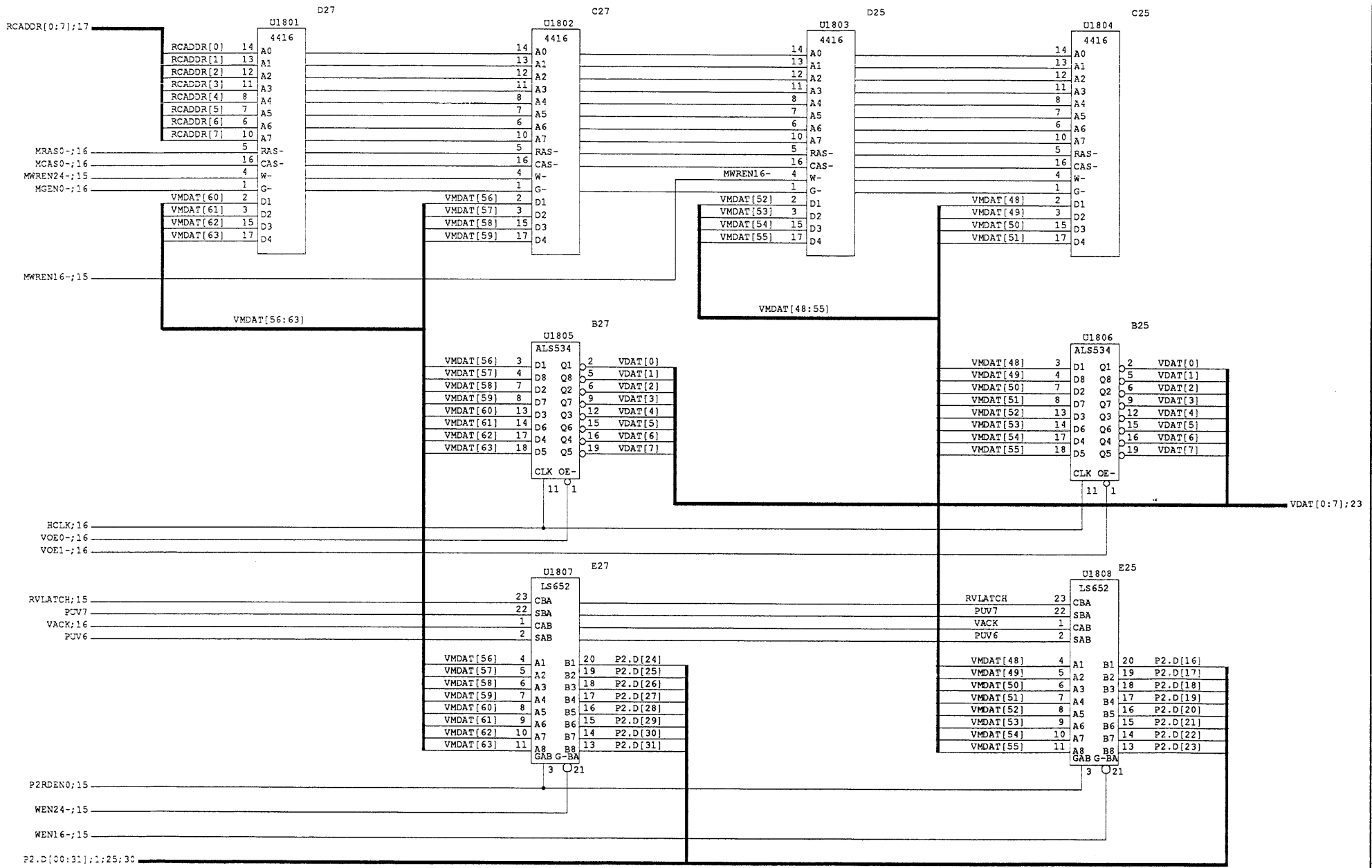


Confidential - Copyright (C) 1986 Sun Microsystems. All rights reserved. This material contains trade secrets information of Sun Microsystems Inc. Use, reproduction or disclosure is prohibited except under written license by Sun Microsystems Inc. Use of copyright notice is precautionary only and does not imply publication or disclosure.

Title: SCHEMATIC, CARRERA CPU, 4MB SUN3
 Sheet: 17 OF 35
 Engineer: K. MOBLEY

Drawing: 502-1208-01
 File: sh17.d
 Date: Tue Jun 7 12:02:28 1988
 Rev: A

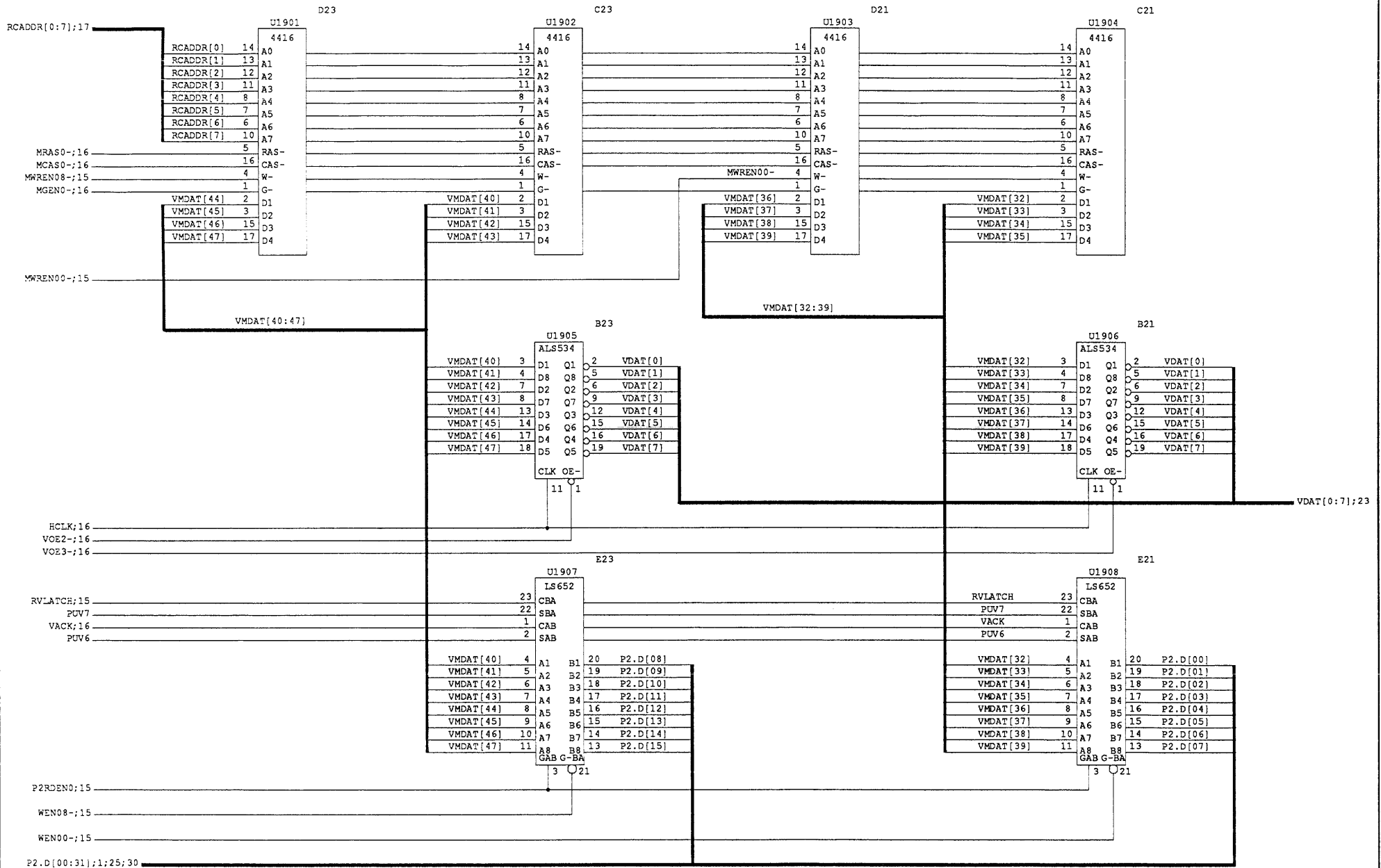
| ECO | Description | Date | Approvals |
|-----|-------------|------|-----------|
|-----|-------------|------|-----------|



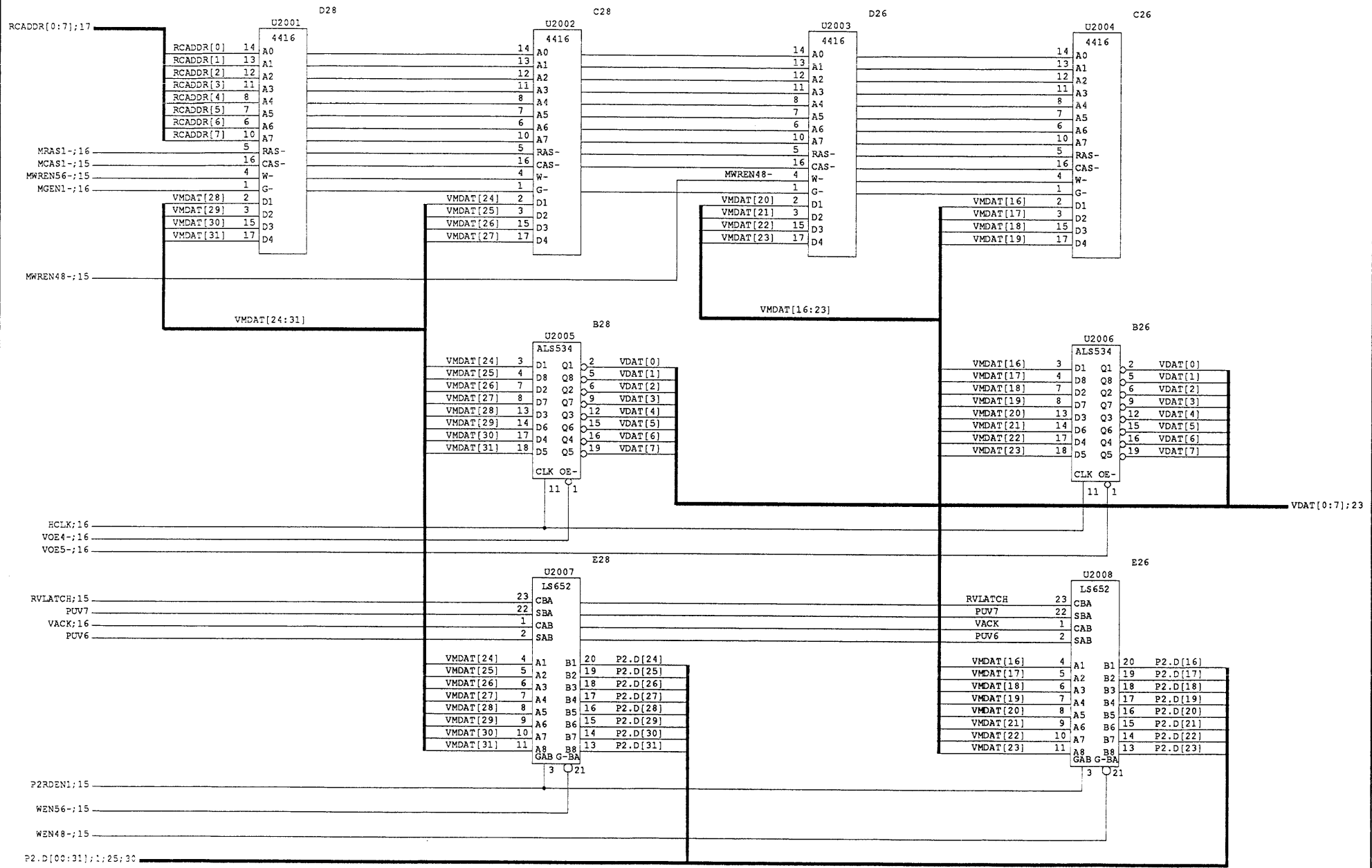
Confidential - Copyright (C) 1986 Sun Microsystems. All rights reserved. This material contains trade secrets information of Sun Microsystems Inc. Use, reproduction or disclosure is prohibited except under written license by Sun Microsystems Inc. Use of copyright notice is precautionary only and does not imply publication or disclosure.

Title: SCHEMATIC, CARRERA CPU, 4MB SUN3
 Drawing: 502-1208-01
 Sheet: 18 OF 35
 File: sh18.d
 Engineer: K. MOBLEY
 Date: Tue Jun 7 12:02:48 1988
 Rev: A

| ECO | Description | Date | Approvals |
|-----|-------------|------|-----------|
|-----|-------------|------|-----------|



| ECO | Description | Date | Approvals |
|-----|-------------|------|-----------|
|-----|-------------|------|-----------|

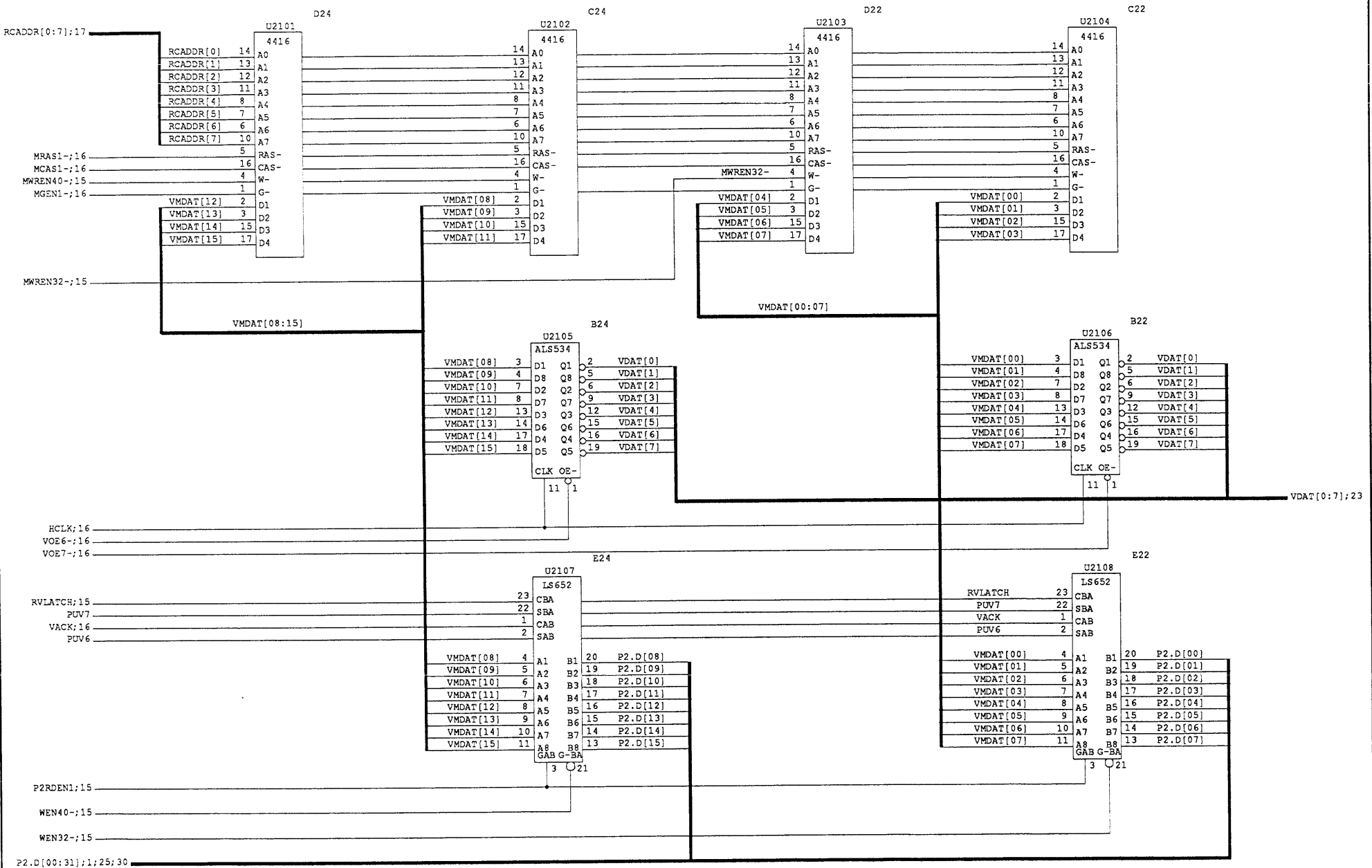


Confidential - Copyright (C) 1986 Sun Microsystems. All rights reserved. This material contains trade secrets information of Sun Microsystems Inc. Use, reproduction or disclosure is prohibited except under written license by Sun Microsystems Inc. Use of copyright notice is precautionary only and does not imply publication or disclosure.

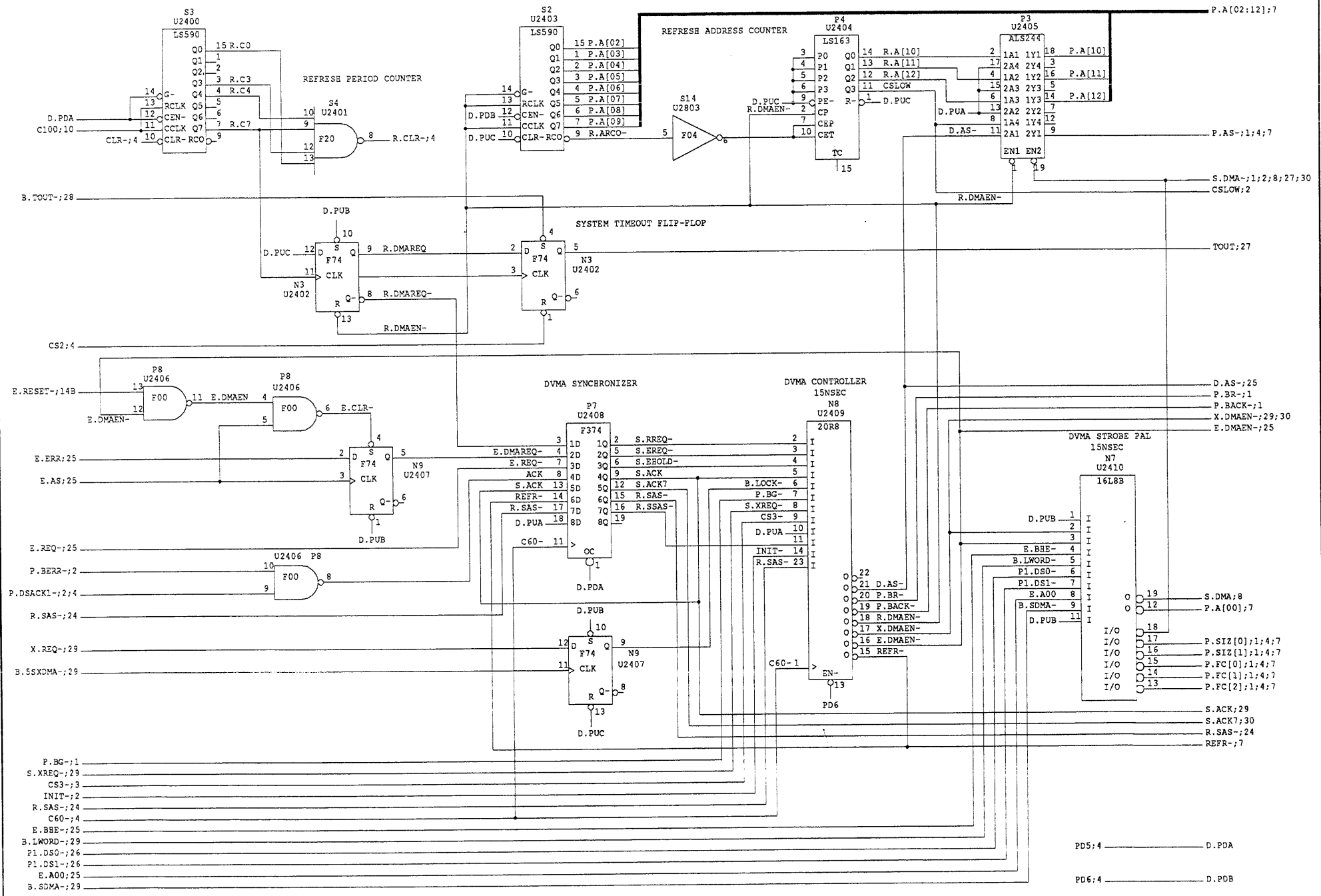
Title: SCHEMATIC, CARRERA CPU, 4MB SUN3
 Sheet: 20 OF 35
 Engineer: K. HOBBLEY

Drawing: 502-1208-01
 File: sh20.d
 Date: Tue Jun 7 12:03:47 1988

Rev: A



| ECO | Description | Date | Approvals |
|-----|-------------|------|-----------|
|-----|-------------|------|-----------|

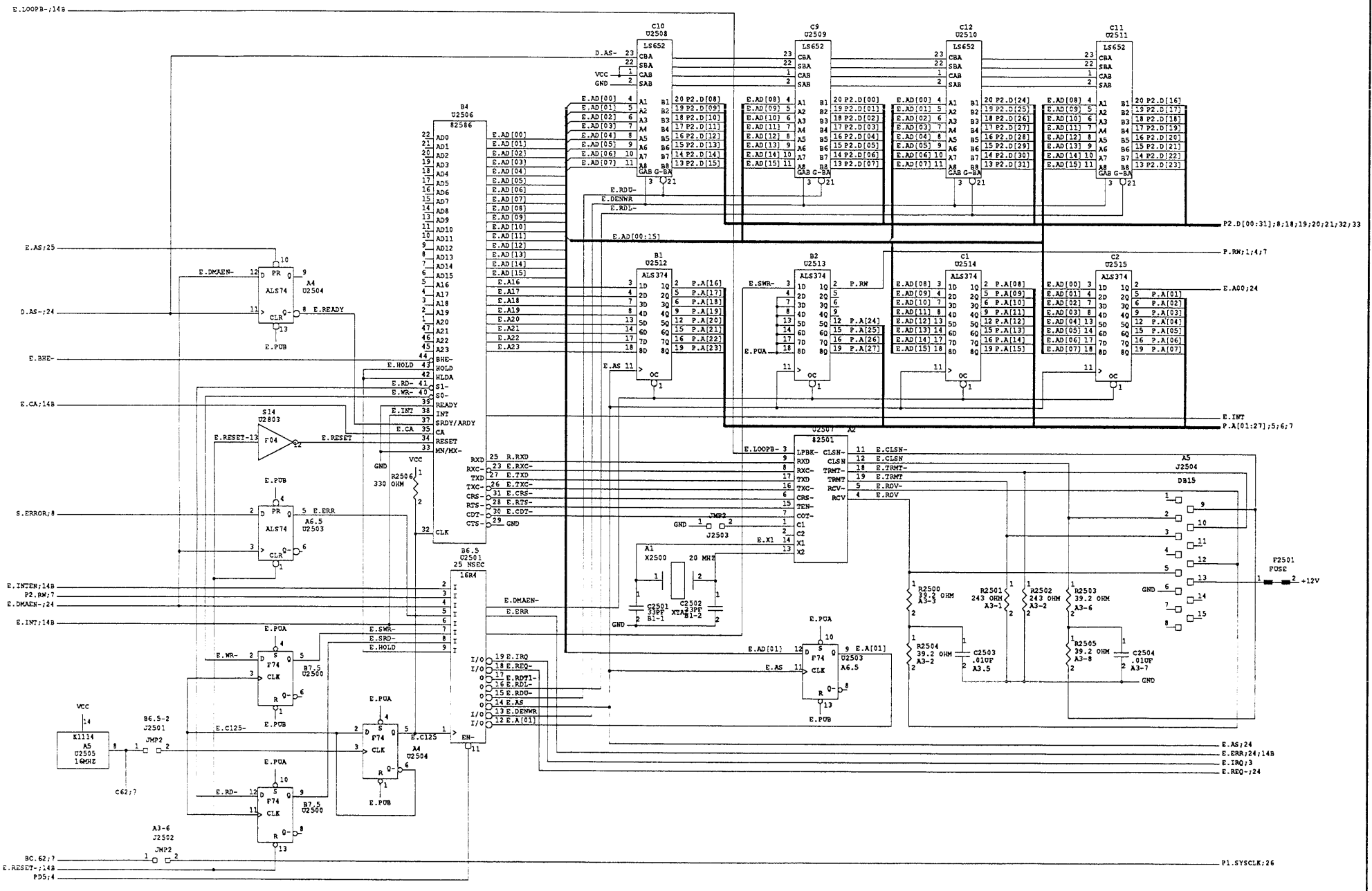


Confidential - Copyright (C) 1986 Sun Microsystems. All rights reserved. This material contains trade secrets information of Sun Microsystems Inc. Use, reproduction or disclosure is prohibited except under written license by Sun Microsystems Inc. Use of copyright notice is precautionary only and does not imply publication or disclosure.

Title: SCHEMATIC, CARRERA CPU, 4MB SUN3
 Sheet: 24 OF 35
 Engineer: K. MOBLEY

Drawing: 502-1208-01
 File: sh24.d
 Date: Tue Jun 7 12:05:18 1988
 Rev: A

| ECO | Description | Date | Approvals |
|-----|-------------|------|-----------|
|-----|-------------|------|-----------|



Confidential - Copyright (C) 1986 Sun Microsystems. All rights reserved. This material contains trade secrets information of Sun Microsystems Inc. Use, reproduction or disclosure is prohibited except under written license by Sun Microsystems Inc. Use of copyright notice is precautionary only and does not imply publication or disclosure.

Title: SCHEMATIC, CARRERA CPU, 4MB SUN3
 Drawing: 502-1208-01
 Rev: A
 Sheet: 25 OF 35
 File: sh25.d
 Engineer: K. MOBLEY
 Date: Tue Jun 7 12:05:50 1988

| ECO | Description | Date | Approvals |
|-----|-------------|------|-----------|
|-----|-------------|------|-----------|

| J2601 DIN ROW A | J2601 DIN ROW B | J2601 DIN ROW C | J2602 DIN ROW A | J2602 DIN ROW B | J2602 DIN ROW C | J2603 DIN ROW A | J2603 DIN ROW B | J2603 DIN ROW C |
|--------------------|--------------------|--------------------|--------------------|--------------------|--------------------|--------------------|--------------------|--------------------|
| 1 P1.D[00] | 33 P1.BBSY- | 65 P1.D[08] | 1 P2.A[00] | 33 VCC | 65 P2.BERR- | 1 VCC | 33 P2.D[00] | 65 GND |
| 2 P1.D[01] | 34 P1.BCLR- | 66 P1.D[09] | 2 P2.A[01] | 34 GND | 66 GND | 2 VCC | 34 P2.D[01] | 66 GND |
| 3 P1.D[02] | 35 P1.ACFAIL- | 67 P1.D[10] | 3 P2.A[02] | 35 P1.RSRVD | 67 P2.ACK- | 3 VCC | 35 P2.D[02] | 67 GND |
| 4 P1.D[03] | 36 P1.BG0IN- | 68 P1.D[11] | 4 GND | 36 P1.A[24] | 68 GND | 4 VCC | 36 P2.D[03] | 68 GND |
| 5 P1.D[04] | 37 P1.BG0OUT- | 69 P1.D[12] | 5 P2.A[03] | 37 P1.A[25] | 69 P2.FPA- | 5 VCC | 37 P2.D[04] | 69 GND |
| 6 P1.D[05] | 38 P1.BG1IN- | 70 P1.D[13] | 6 P2.A[04] | 38 P1.A[26] | 70 GND | 6 VCC | 38 P2.D[05] | 70 GND |
| 7 P1.D[06] | 39 P1.BG1OUT- | 71 P1.D[14] | 7 P2.A[05] | 39 P1.A[27] | 71 P2.DEVSP- | 7 VCC | 39 P2.D[06] | 71 GND |
| 8 P1.D[07] | 40 P1.BG2IN- | 72 P1.D[15] | 8 P2.A[06] | 40 P1.A[28] | 72 GND | 8 VCC | 40 P2.D[07] | 72 GND |
| 9 GND | 41 P1.BG2OUT- | 73 GND | 9 GND | 41 P1.A[29] | 73 P2.UAS- | 9 VCC | 41 P2.D[08] | 73 GND |
| 10 P1.SYSCLK | 42 P1.BG3IN- | 74 GND | 10 P2.A[07] | 42 P1.A[30] | 74 GND | 10 VCC | 42 P2.D[09] | 74 GND |
| 11 GND | 43 P1.BG3OUT- | 75 P1.BERR- | 11 P2.A[08] | 43 P1.A[31] | 75 P2.MUX- | 11 VCC | 43 P2.D[10] | 75 GND |
| 12 P1.DS1- | 44 P1.BR0- | 76 P1.SYSR- | 12 P2.A[09] | 44 GND | 76 GND | 12 VCC | 44 P2.D[11] | 76 GND |
| 13 P1.DS0- | 45 P1.BR1- | 77 P1.LWORD- | 13 P2.A[10] | 45 VCC | 77 P2.RAM- | 13 VCC | 45 P2.D[12] | 77 GND |
| 14 P1.WRITE- | 46 P1.BR2- | 78 P1.AM5 | 14 GND | 46 P1.D[16] | 78 GND | 14 VCC | 46 P2.D[13] | 78 GND |
| 15 GND | 47 P1.BR3- | 79 P1.A[23] | 15 P2.A[11] | 47 P1.D[17] | 79 P2.CAS- | 15 VCC | 47 P2.D[14] | 79 GND |
| 16 P1.DTACK- | 48 P1.AM0 | 80 P1.A[22] | 16 P2.A[12] | 48 P1.D[18] | 80 GND | 16 VCC | 48 P2.D[15] | 80 GND |
| 17 GND | 49 P1.AM1 | 81 P1.A[21] | 17 P2.A[13] | 49 P1.D[19] | 81 GND | 17 VCC | 49 P2.D[16] | 81 GND |
| 18 P1.AS- | 50 P1.AM2 | 82 P1.A[20] | 18 P2.A[14] | 50 P1.D[20] | 82 GND | 18 VCC | 50 P2.D[17] | 82 GND |
| 19 GND | 51 P1.AM3 | 83 P1.A[19] | 19 GND | 51 P1.D[21] | 83 P2.ENDRAS- | 19 VCC | 51 P2.D[18] | 83 GND |
| 20 P1.IACK- | 52 GND | 84 P1.A[18] | 20 P2.A[15] | 52 P1.D[22] | 84 GND | 20 VCC | 52 P2.D[19] | 84 GND |
| 21 P1.IACKIN- | 53 P1.SERCLK | 85 P1.A[17] | 21 P2.A[16] | 53 P1.D[23] | 85 P2.REPR- | 21 VCC | 53 P2.D[20] | 85 GND |
| 22 | 54 P1.SERDAT | 86 P1.A[16] | 22 P2.A[17] | 54 GND | 86 GND | 22 VCC | 54 P2.D[21] | 86 GND |
| 23 P1.IACKOUT- | 55 GND | 87 P1.A[15] | 23 P2.A[18] | 55 P1.D[24] | 87 P2.SIZ[1] | 23 VCC | 55 P2.D[22] | 87 GND |
| 24 P1.A[07] | 56 P1.IRQ[7] | 88 P1.A[14] | 24 GND | 56 P1.D[25] | 88 P2.SIZ[0] | 24 VCC | 56 P2.D[23] | 88 GND |
| 25 P1.A[06] | 57 P1.IRQ[6] | 89 P1.A[13] | 25 P2.A[19] | 57 P1.D[26] | 89 P2.RERUN- | 25 VCC | 57 P2.D[24] | 89 GND |
| 26 P1.A[05] | 58 P1.IRQ[5] | 90 P1.A[12] | 26 P2.A[20] | 58 P1.D[27] | 90 P2.RW | 26 +12V | 58 P2.D[25] | 90 +12V |
| 27 P1.A[04] | 59 P1.IRQ[4] | 91 P1.A[11] | 27 P2.A[21] | 59 P1.D[28] | 91 P2.FC2 | 27 +12V | 59 P2.D[26] | 91 +12V |
| 28 P1.A[03] | 60 P1.IRQ[3] | 92 P1.A[10] | 28 P2.A[22] | 60 P1.D[29] | 92 GND | 28 | 60 P2.D[27] | 92 |
| 29 P1.A[02] | 61 P1.IRQ[2] | 93 P1.A[09] | 29 GND | 61 P1.D[30] | 93 P2.PAR[00] | 29 | 61 P2.D[28] | 93 |
| 30 P1.A[01] | 62 P1.IRQ[1] | 94 P1.A[08] | 30 P2.A[23] | 62 P1.D[31] | 94 P2.PAR[08] | 30 -5VTRK | 62 P2.D[29] | 94 -5VTRK |
| 31 | 63 VCC | 95 +12V | 31 P2.A[24] | 63 GND | 95 P2.PAR[16] | 31 -5VTRK | 63 P2.D[30] | 95 -5VTRK |
| 32 VCC | 64 VCC | 96 VCC | 32 P2.BOT32M- | 64 VCC | 96 P2.PAR[24] | 32 -5VTRK | 64 P2.D[31] | 96 -5VTRK |



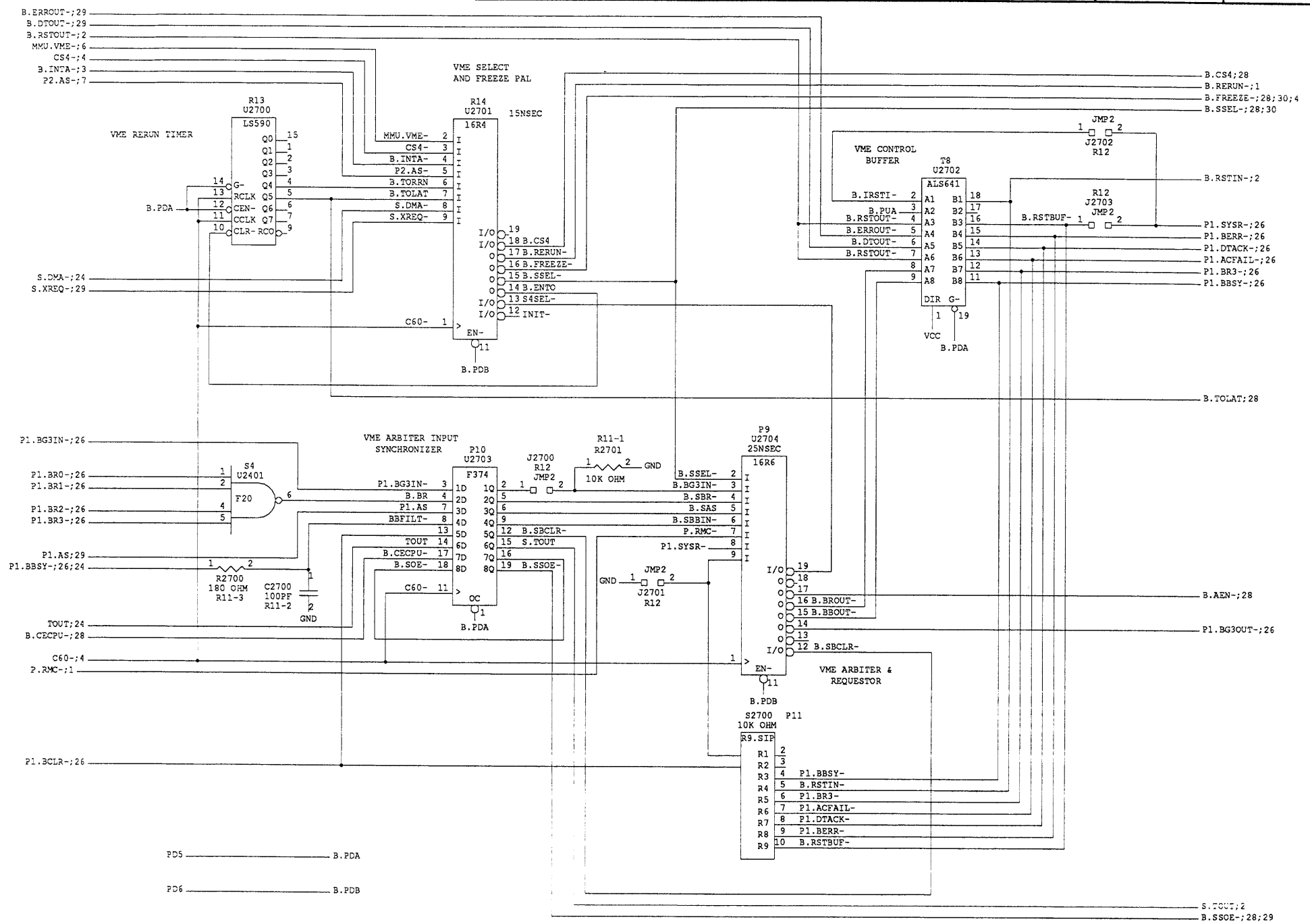
Confidential - Copyright (C) 1986 Sun Microsystems. All rights reserved.
 This material contains trade secrets information of Sun Microsystem Inc.
 Use, reproduction or disclosure is prohibited except under written license
 by Sun Microsystems Inc. Use of copyright notice is precautionary only
 and does not imply publication or disclosure.

Title: SCHEMATIC, CARRERA CPU, 4MB SUN3
 Sheet: 26 OF 35
 Engineer: K. MOBLEY

Drawing: 502-1208-01
 File: sh26.d
 Date: Tue Jun 7 12:06:18 1988

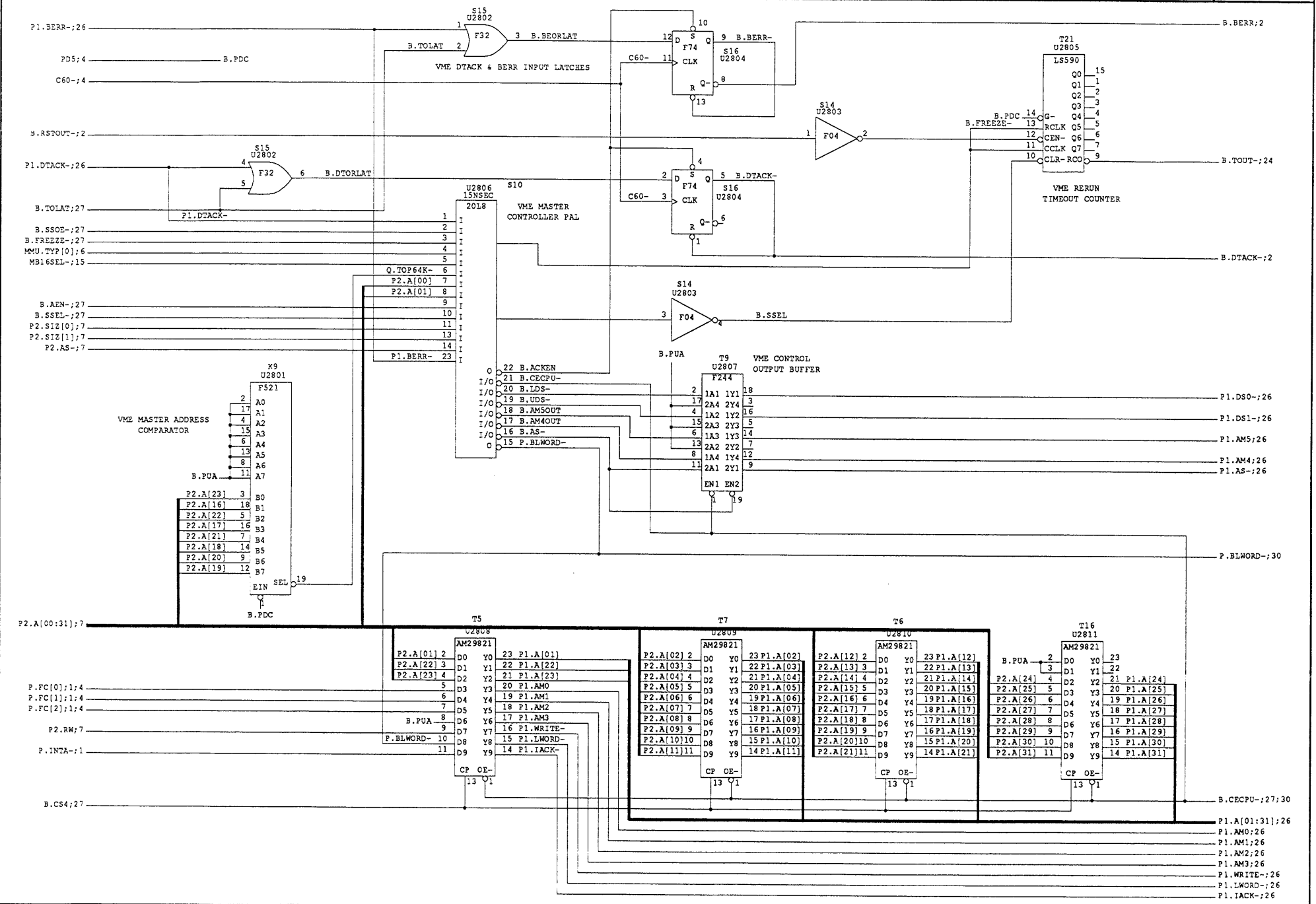
Rev: A

| ECO | Description | Date | Approvals |
|-----|-------------|------|-----------|
|-----|-------------|------|-----------|



P05 ----- B.PDA
P06 ----- B.PDB

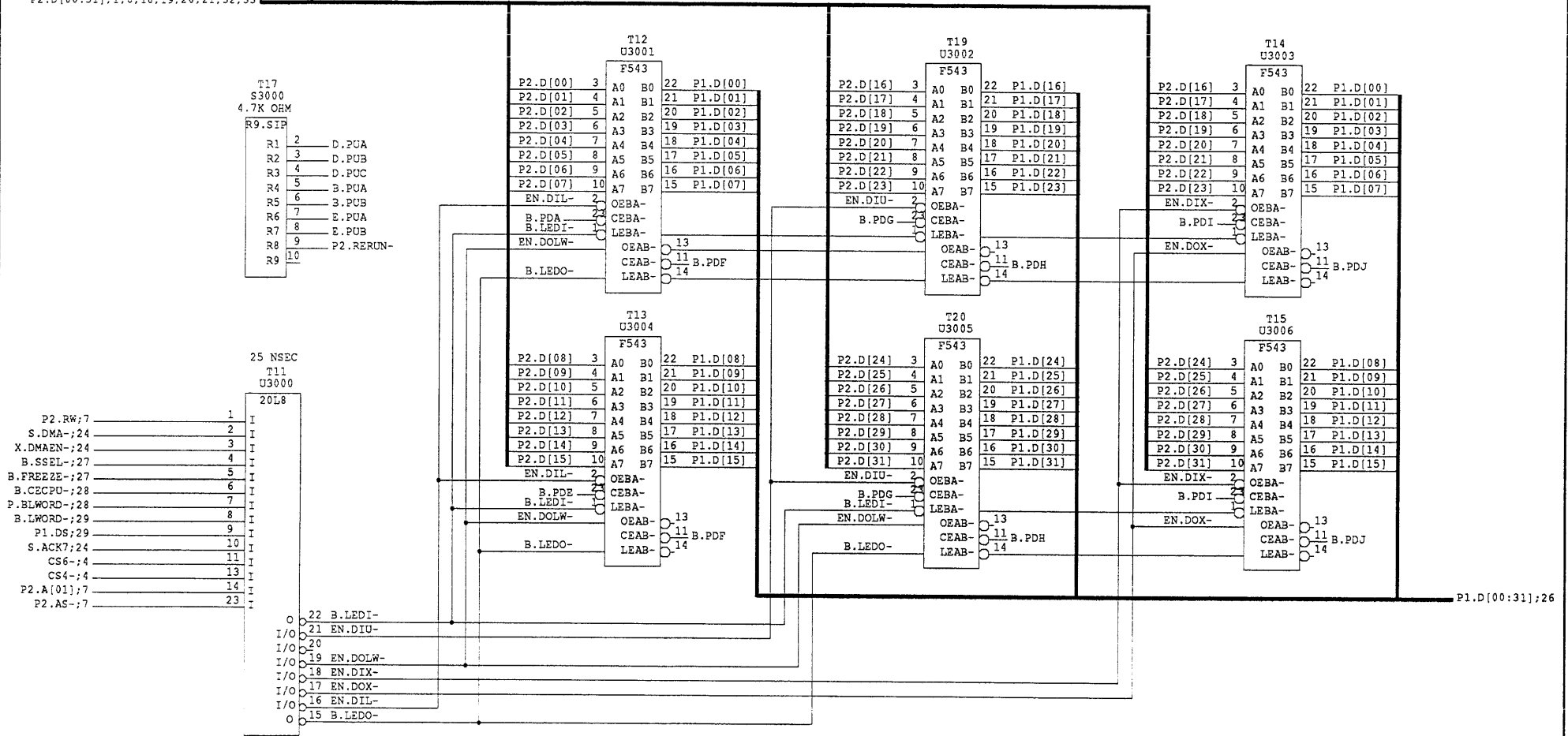
| ECO | Description | Date | Approvals |
|-----|-------------|------|-----------|
|-----|-------------|------|-----------|



Confidential - Copyright (C) 1986 Sun Microsystems. All rights reserved. This material contains trade secrets information of Sun Microsystems Inc. Use, reproduction or disclosure is prohibited except under written license by Sun Microsystems Inc. Use of copyright notice is precautionary only and does not imply publication or disclosure.

| ECO | Description | Date | Approvals |
|-----|-------------|------|-----------|
|-----|-------------|------|-----------|

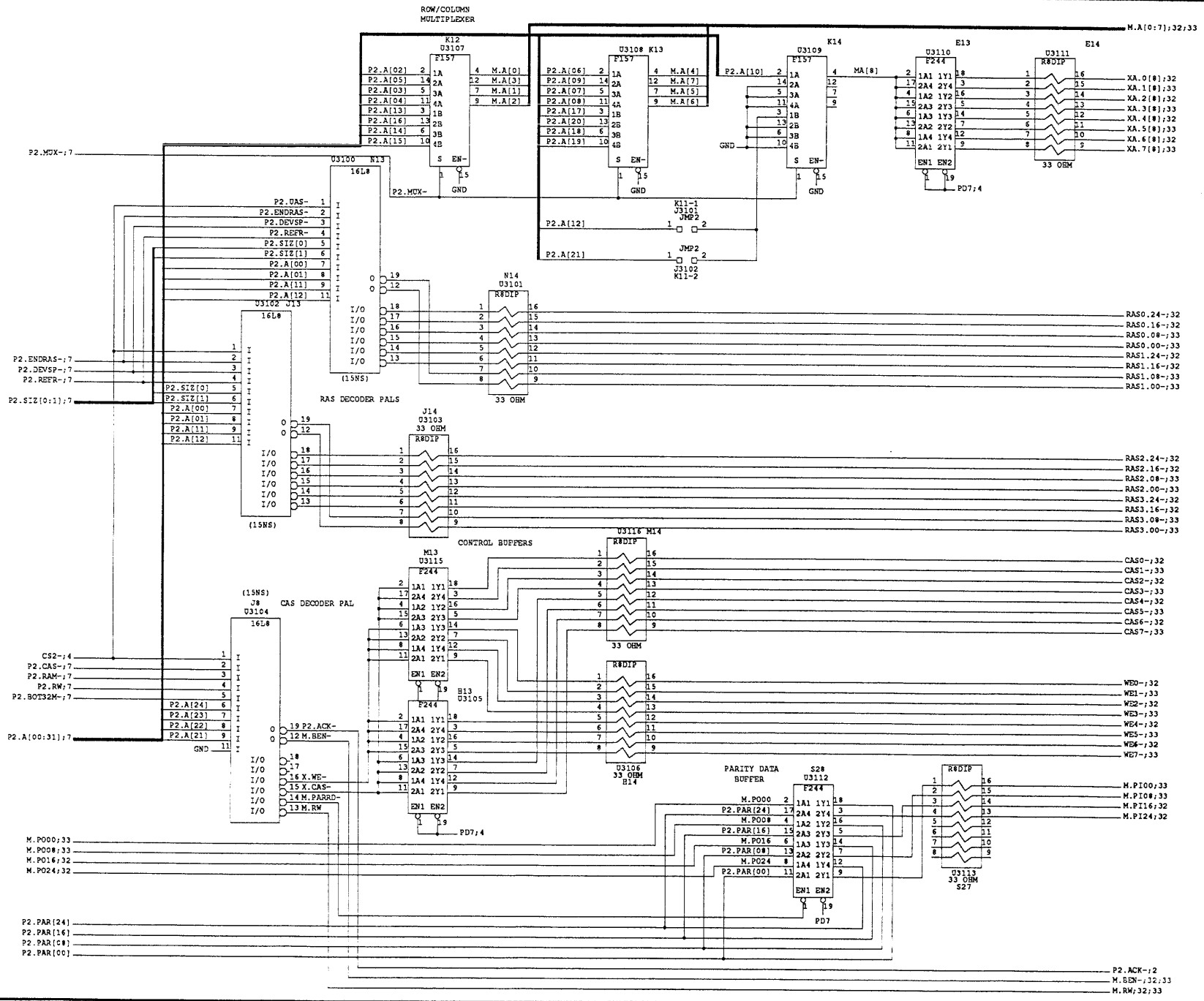
P2.D[00:31];1;8;18;19;20;21;32;33



P1.D[00:31];26



| ECO | Description | Date | Approvals |
|-----|-------------|------|-----------|
|-----|-------------|------|-----------|



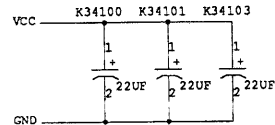
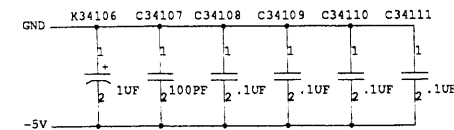
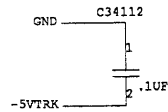
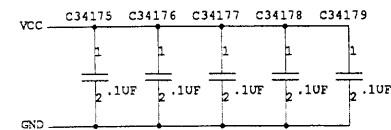
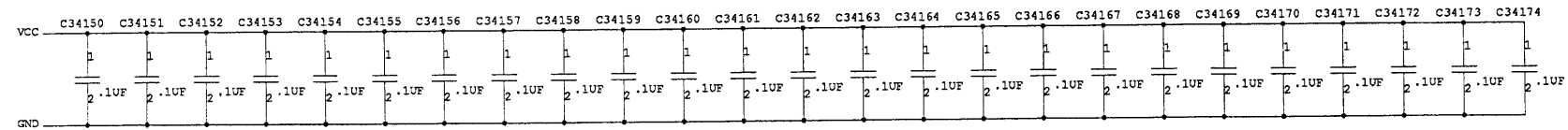
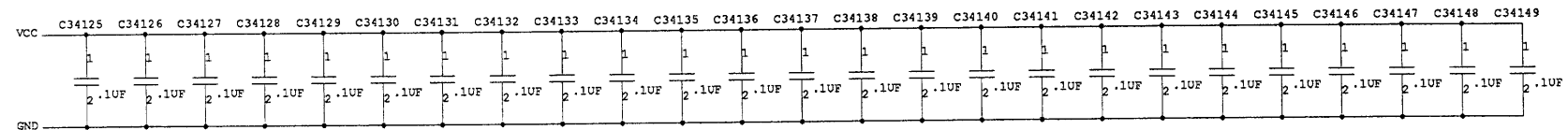
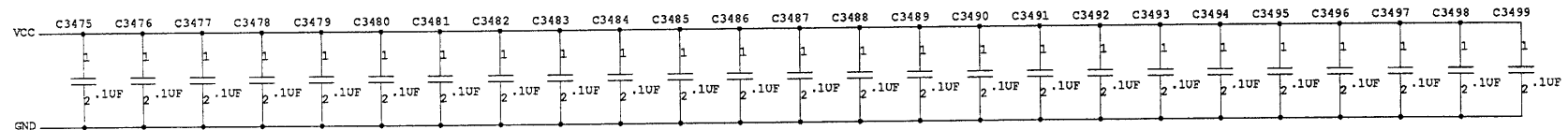
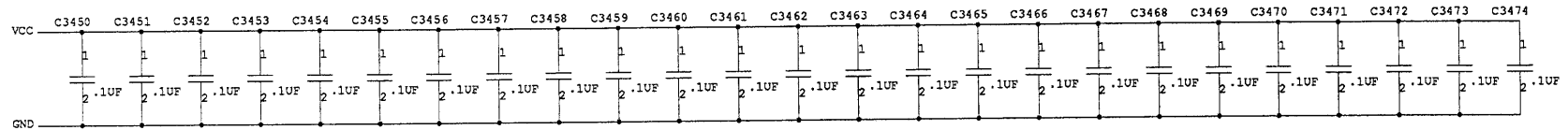
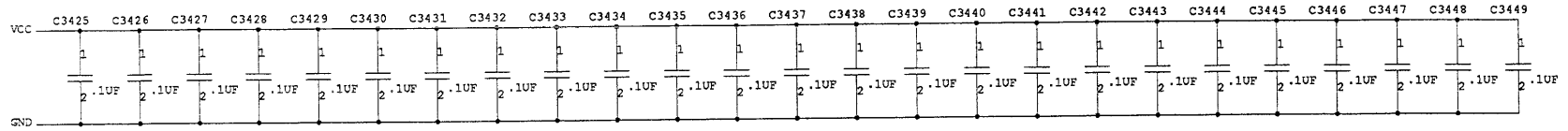
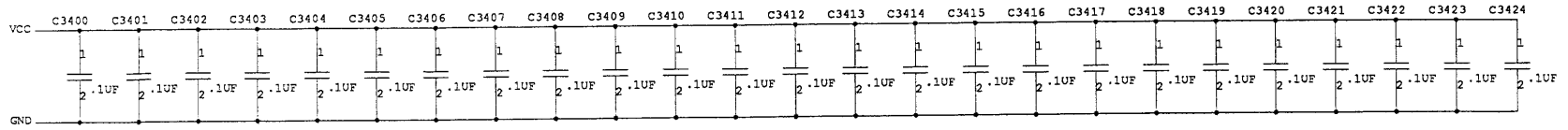
Confidential - Copyright (C) 1986 Sun Microsystems. All rights reserved. This material contains trade secrets information of Sun Microsystems Inc. Use, reproduction or disclosure is prohibited except under written license by Sun Microsystems Inc. Use of copyright notice is precautionary only and does not imply publication or disclosure.

Title: SCHEMATIC, CARRERA CPU, 4MB SUN3
 Sheet: 31 OF 35
 Engineer: K. MOBLEY

Drawing: 502-1208-01
 File: sh31.d
 Date: Tue Jun 7 12:08:44 1988

Rev: A

| ECO | Description | Date | Approvals |
|-----|-------------|------|-----------|
|-----|-------------|------|-----------|



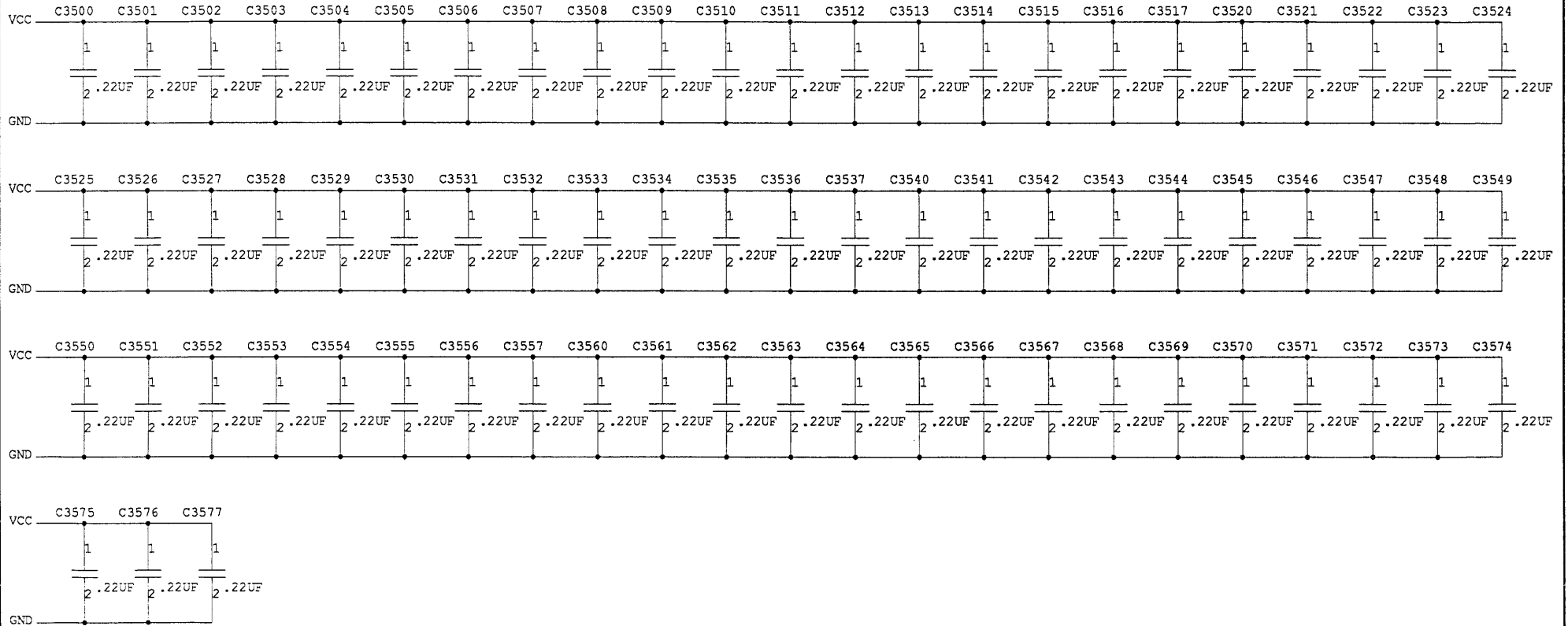
Confidential - Copyright (C) 1986 Sun Microsystems. All rights reserved. This material contains trade secrets information of Sun Microsystems Inc. Use, reproduction or disclosure is prohibited except under written license by Sun Microsystems Inc. Use of copyright notice is precautionary only and does not imply publication or disclosure.

Title: SCHEMATIC, CARRERA CPU, 4MB SUN3
 Sheet: 34 OF 35
 Engineer: K. MOBLEY

Drawing: 502-1208-01
 File: sh34.d
 Date: Tue Jun 7 12:12:22 1988

Rev: A

| ECO | Description | Date | Approvals |
|-----|-------------|------|-----------|
|-----|-------------|------|-----------|



Confidential - Copyright (C) 1986 Sun Microsystems. All rights reserved.
 This material contains trade secrets information of Sun Microsystems Inc.
 Use, reproduction or disclosure is prohibited except under written license
 by Sun Microsystems Inc. Use of copyright notice is precautionary only
 and does not imply publication or disclosure.

Title: SCHEMATIC, CARRERA CPU, 4MB SUN3
 Sheet: 35 OF 35
 Engineer: K. MOBLEY

Drawing: 502-1208-01
 File: sh35.d
 Date: Tue Jun 7 12:12:40 1988

Rev: A