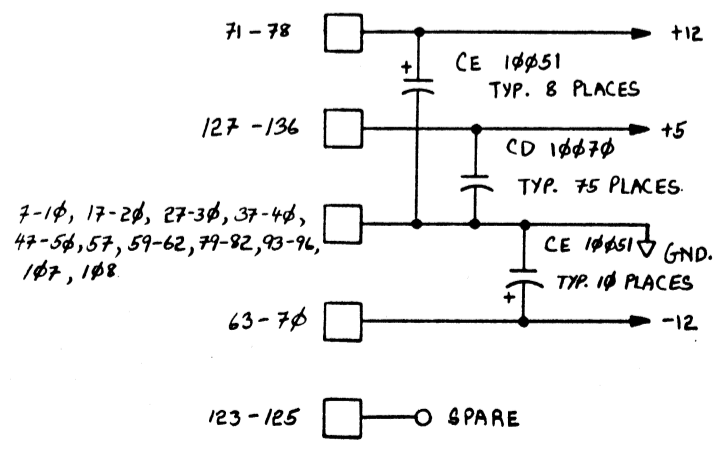


L01079.φ	
The Alpha System BCC-500	
DESIGNED BY	R. BIGNONETTI
DATE	8/27/74
SCALE	1
PROJECT	CH10 MPLXR I.5
SCANNER	
L01079.φ	



- NOTES:
1. RESISTORS ARE 1/8 W 10%
 2. CARD MODIFIED FROM THAT USED IN DCC. SEE L010457.B FOR ORIGINAL CARD LAYOUT.
 3. NO USE IS MADE OF DIALER IN CH10 MPLXR. DIALER LOGIC ONLY CHIPS ARE NOT LOADED.