

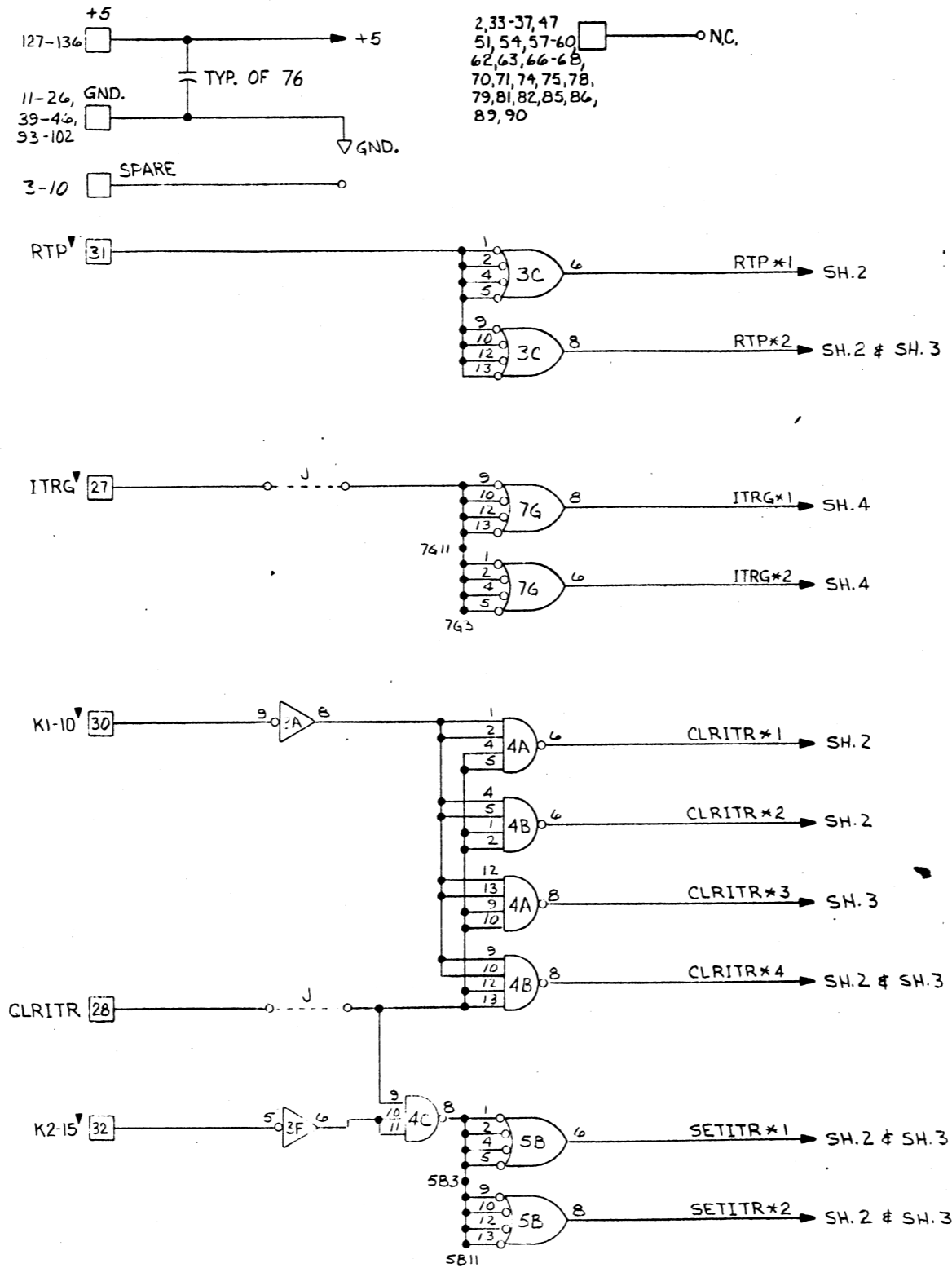
NOTES

UNLESS OTHERWISE SPECIFIED;

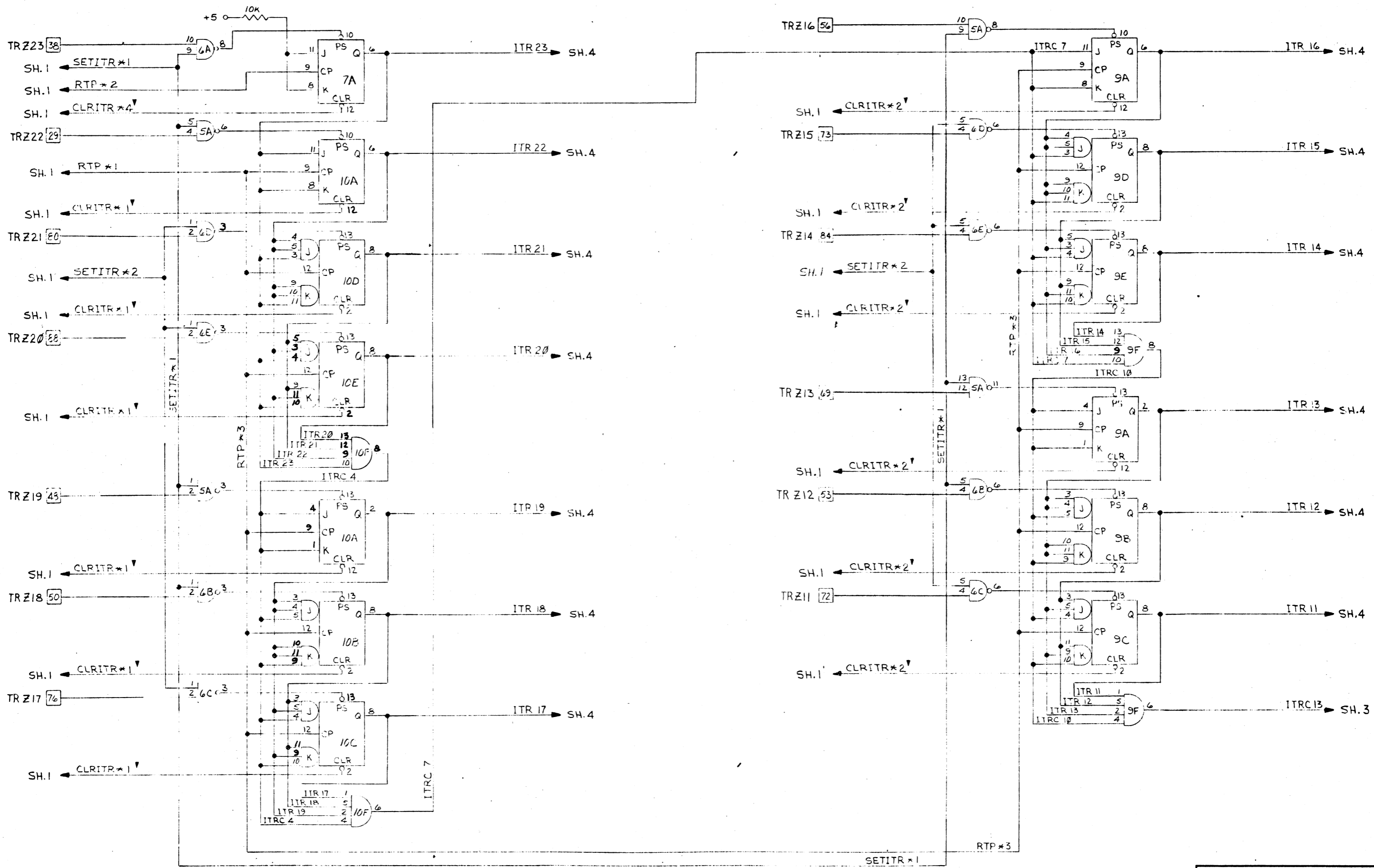
1. CAPACITORS ARE CD10070

2. RESISTORS ARE 1/8W, 10% CARBON

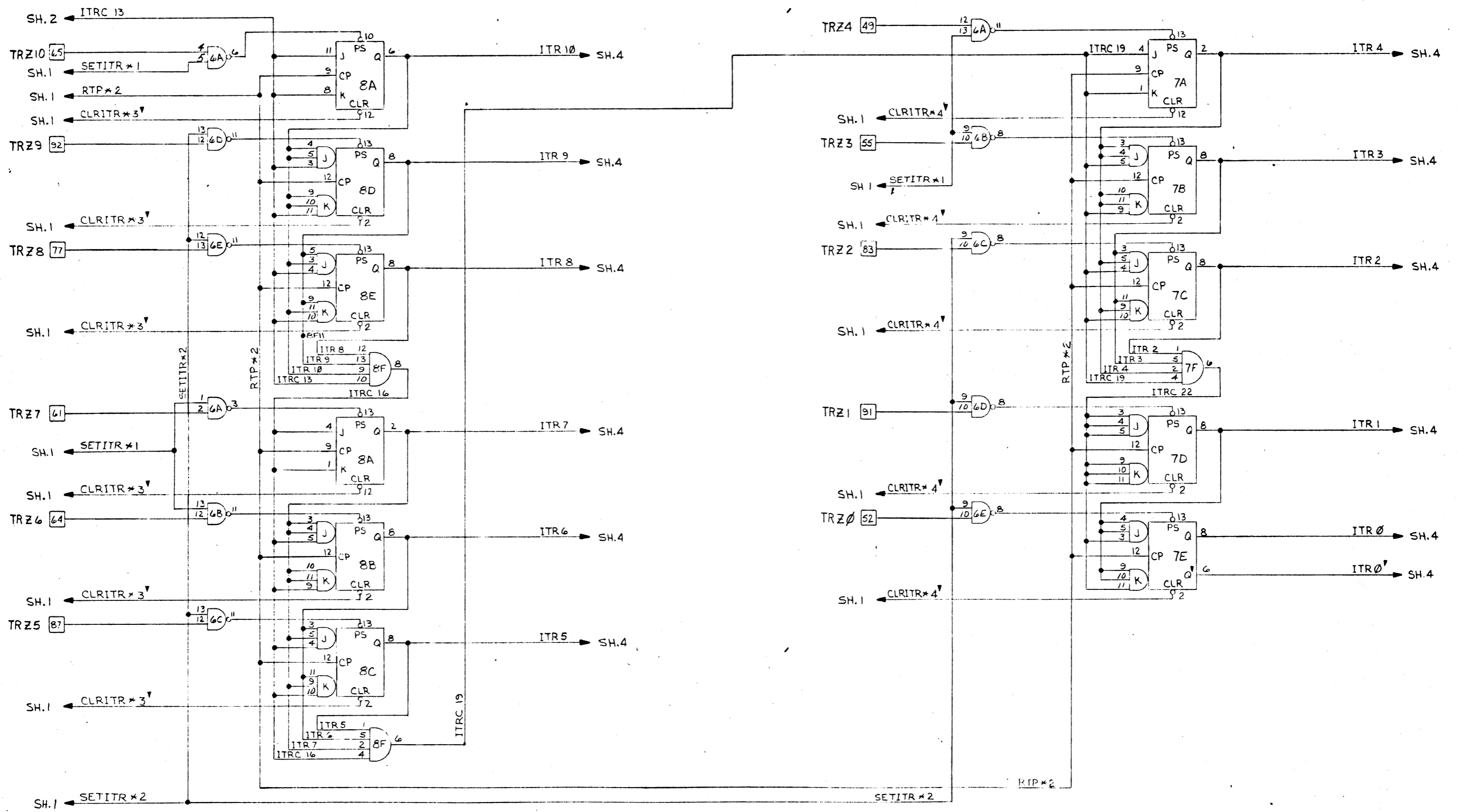
3. J - JUMPER



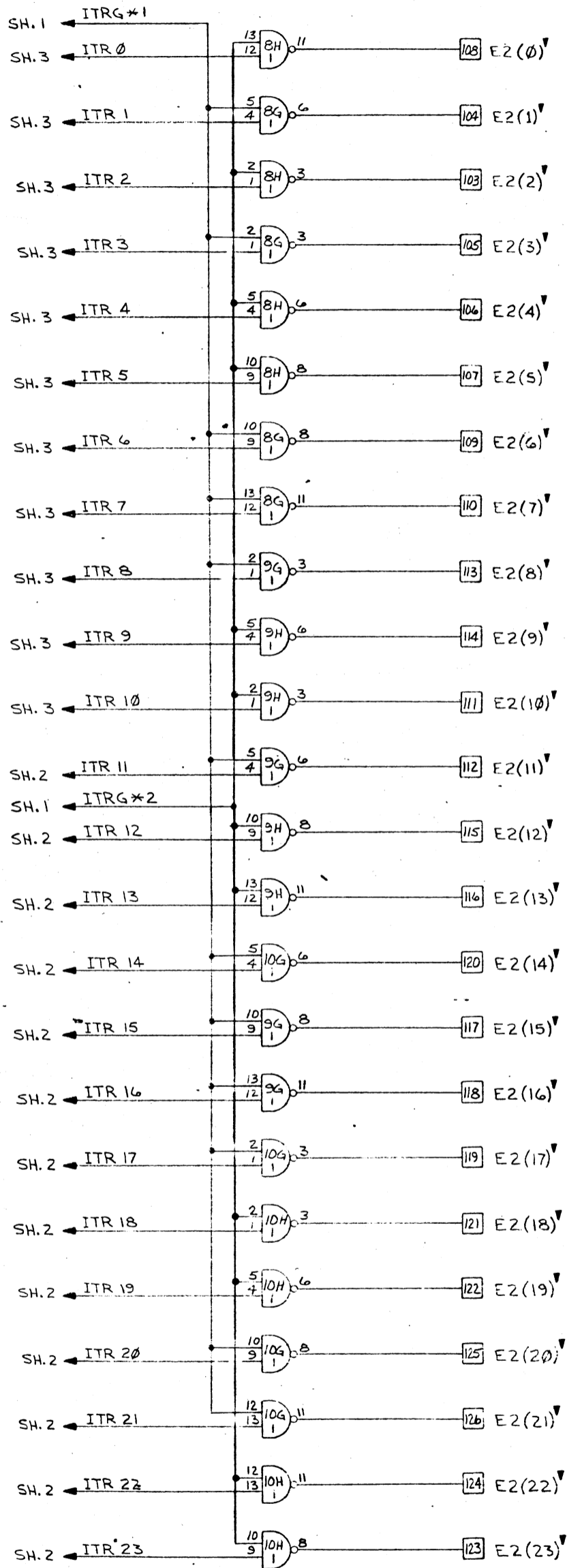
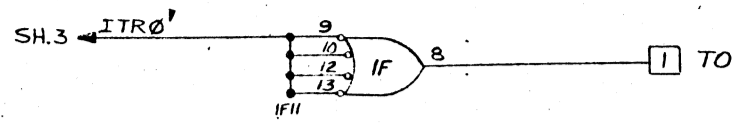
.0	RELEASED			
NO.	DESCRIPTION	DATE	DRAWN	APPROVED
REVISIONS				
L00108	DESIGNED	TITLE		
	DES. CHK'D	INTERVAL TIME REGISTER (ITR)		
	DRAWN 10-7-69	PROJECT		
	D.W. CHK'D	CPU # 1		TIA32
Berkeley Computer Corporation	SCALE	SHEET	OF	NO.
NONE	1	4		L00108 .0



SCALE: NONE	APPROVED BY:	DRAWN BY: DJM
DATE: 10-7-69		REVISED:
INTERVAL TIME REGISTER (ITR)		
CPU # 1	TIA 32	DRAWING NUMBER: L00108.0



.0	RELEASED				
NO.	DESCRIPTION	DATE	DRAWN	APPROVED	
REVISIONS					
 Berkeley Computer Corporation	DESIGNED	TITLE			
	DRAWN	INTERVAL TIME REGISTER (ITR)			
	CHECKED	PROJECT		NO.	
	SCALE	SHEET		OF	
	NONE	3	4	T1A32	
LO0108 .0					



L00108		0 RELEASED	
Berkeley Computer Corporation		REVISIONS	
DATE: 10-7-69		DATE: _____	
BY: D.MORFAS		DATE: _____	
SCALE: NONE		DATE: _____	
PROJECT: CPU #1		DATE: _____	
SHEET: 4		DATE: _____	
NO. OF SHEETS: 4		DATE: _____	
NO. L00108		DATE: _____	
TIA32		DATE: _____	
INTERVAL TIME REGISTER (ITR)			