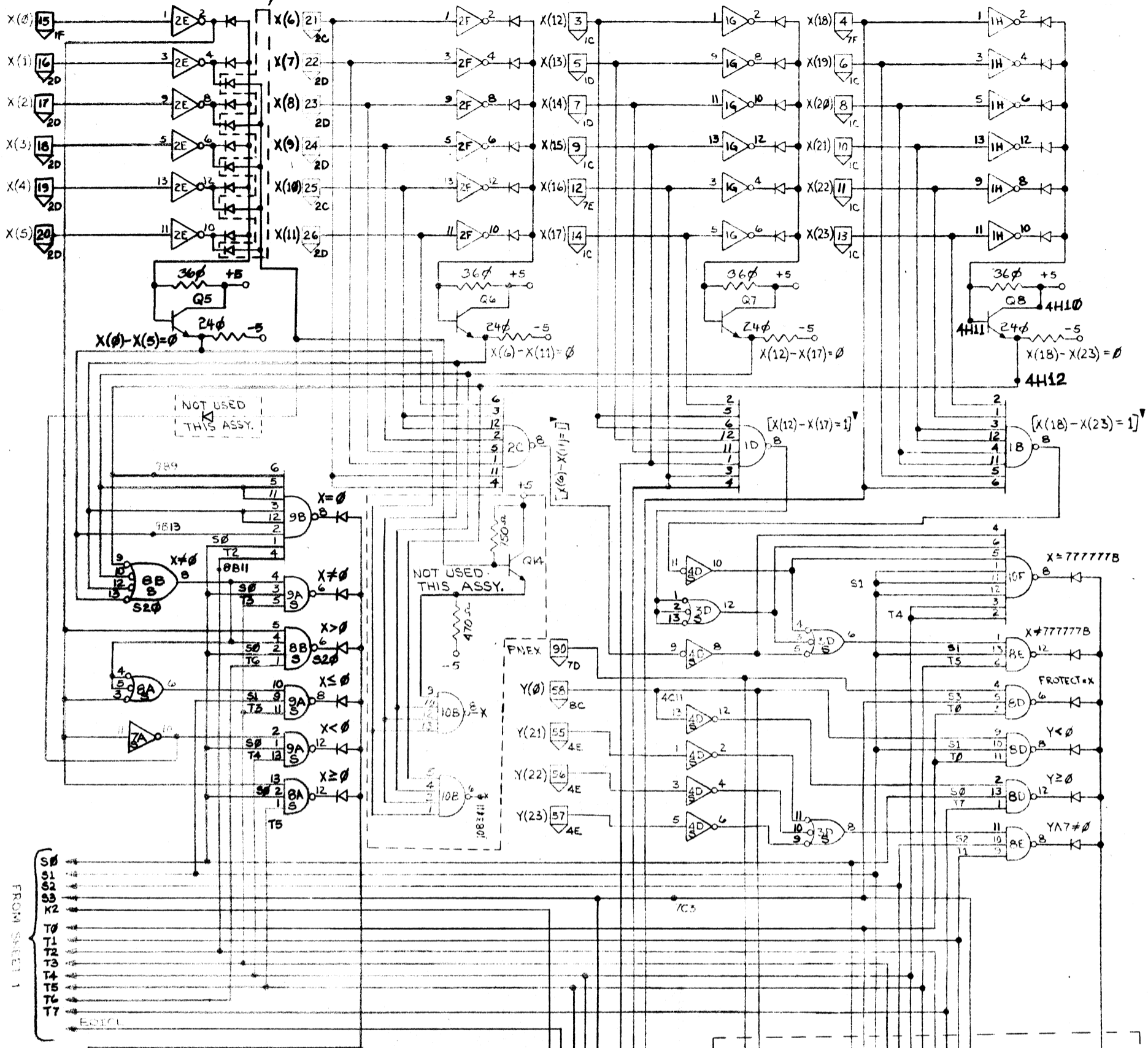


SHEET 1 of 3

STND WPKSR
 MASTER
 BRANCH CONDITIONS #1
 Berkeley Computer Corporation
 DATE: 10-2-72
 DRAWN: [blank]
 L00245.3

- NOTES;
1. UNLESS OTHERWISE SPECIFIED;
 - A. CAPACITORS ARE CD10070.
 - B. DIODES ARE QD10805.
 - C. RESISTORS ARE 1/8W 10% CARBON COMP.
 - D. TRANSISTORS ARE QT92646
 2. ** DISCONNECT PC CONDUCTOR BY CUTTING
 3. THIS LOGIC DIAG. FOR USE WITH AC 00243.D ONLY.
 4. 24Ω RESISTORS ARE 1/4 W

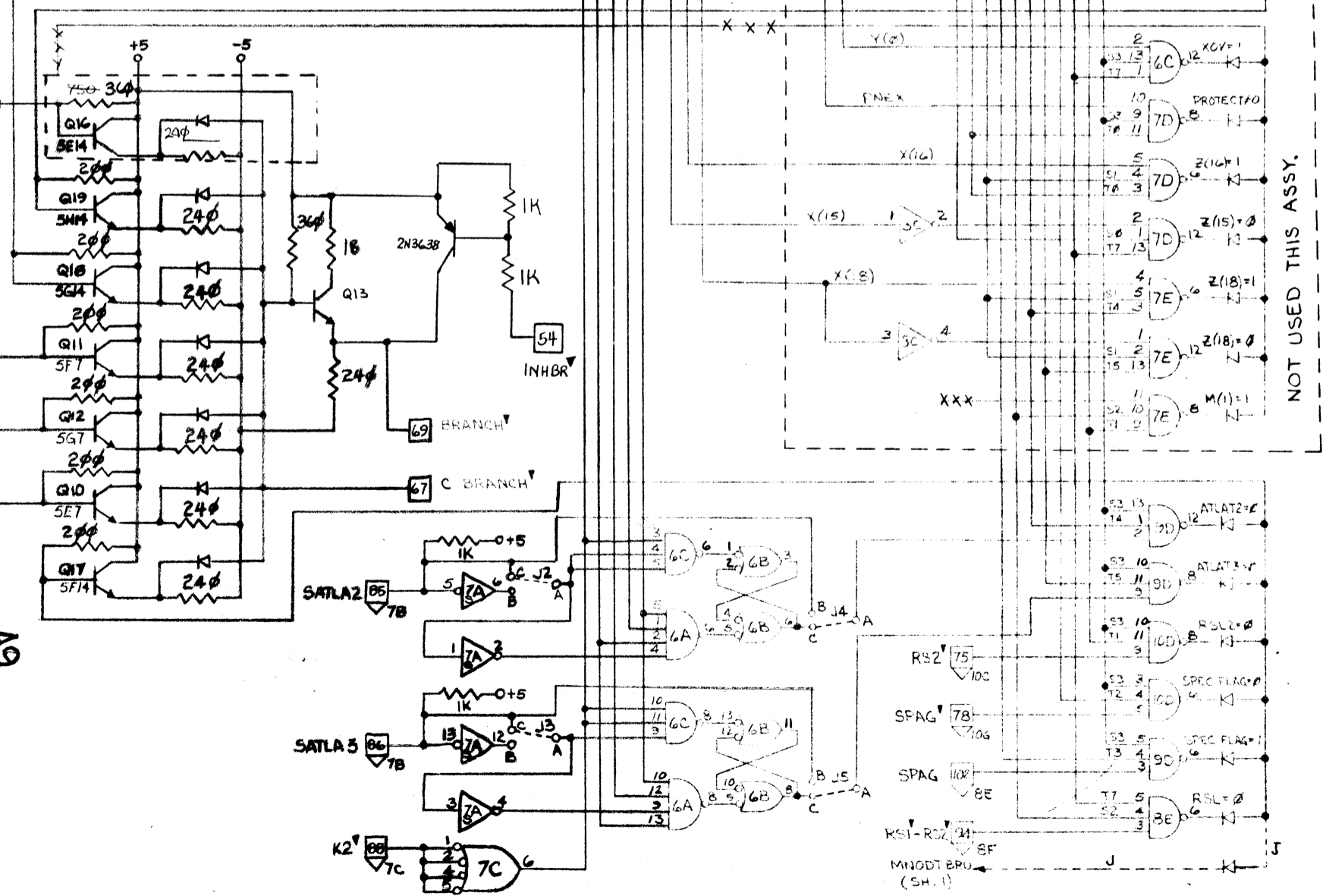
NOT USED
THIS ASSY.



FROM SHEET 1
S1
S2
S3
S4
S5
S6
S7
S8
S9
S10
S11
S12
S13
S14
S15
S16
S17
S18
S19
S20
S21
S22
S23
S24
S25
S26
S27
S28
S29
S30
S31
S32
S33
S34
S35
S36
S37
S38
S39
S40
S41
S42
S43
S44
S45
S46
S47
S48
S49
S50
S51
S52
S53
S54
S55
S56
S57
S58
S59
S60
S61
S62
S63
S64
S65
S66
S67
S68
S69
S70
S71
S72
S73
S74
S75
S76
S77
S78
S79
S80
S81
S82
S83
S84
S85
S86
S87
S88
S89
S90
S91
S92
S93
S94
S95
S96
S97
S98
S99
S100

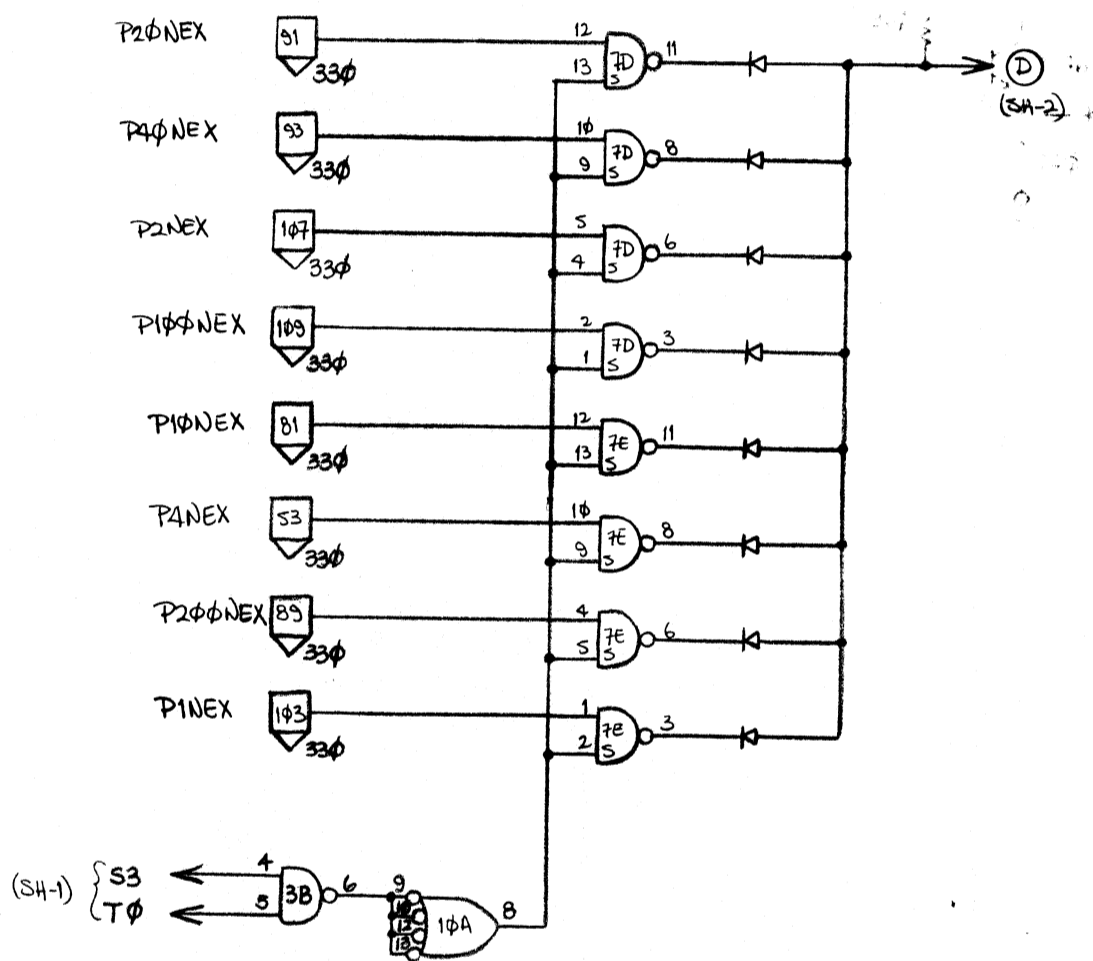
(SH-3) D
TO SH. 1 A
TO SH. 1 B
TO SH. 1 C

BRANCH CONDITIONS #1
MASTER
L00243.3



NOT USED THIS ASSY.

BRANLEY Computer Corporation
BRANCH CONDITIONS #1
MASTER
L00243.3



A9

D. Dodge
 & E. E. E. E.
 BRANCH
 CONDITIONS #1
 STIND WPSR
 A9
 3 3 L462423