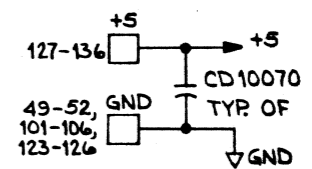


NOTES:
 1. UNLESS OTHERWISE SPECIFIED;
 A. RESISTORS ARE 1/8W, MAX. TOL. 10%, C.C.

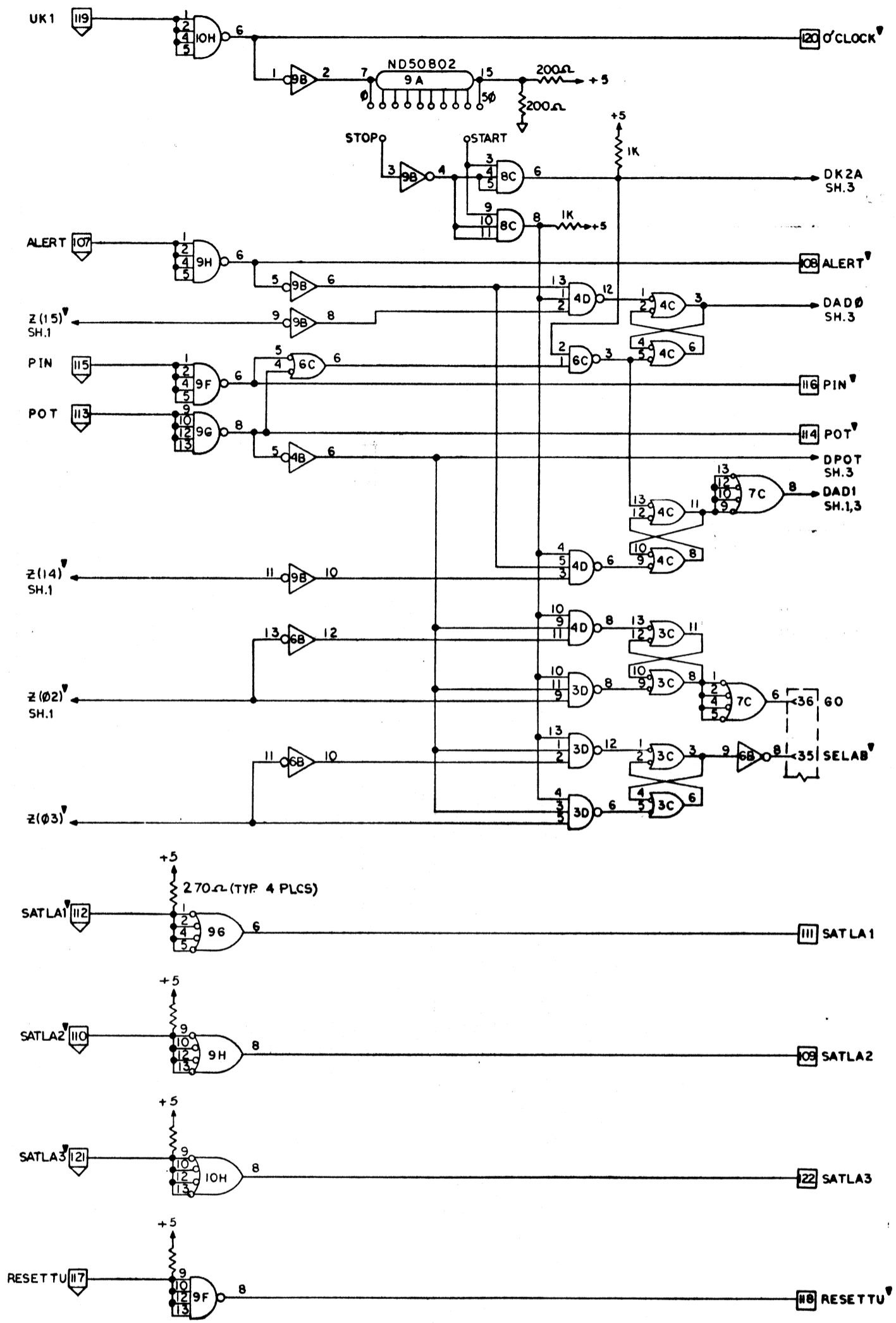


A31 CH10

RELEASED		DATE	DRN	APPRD
REVISIONS				
DESIGNED	C. THACKER	TITLE		
DRAWN	10-9-70	ROM TESTER INTERFACE		
FIRST USED ON: ROM TESTER				
SCALE	NONE	REV	3	NO. L00529.A

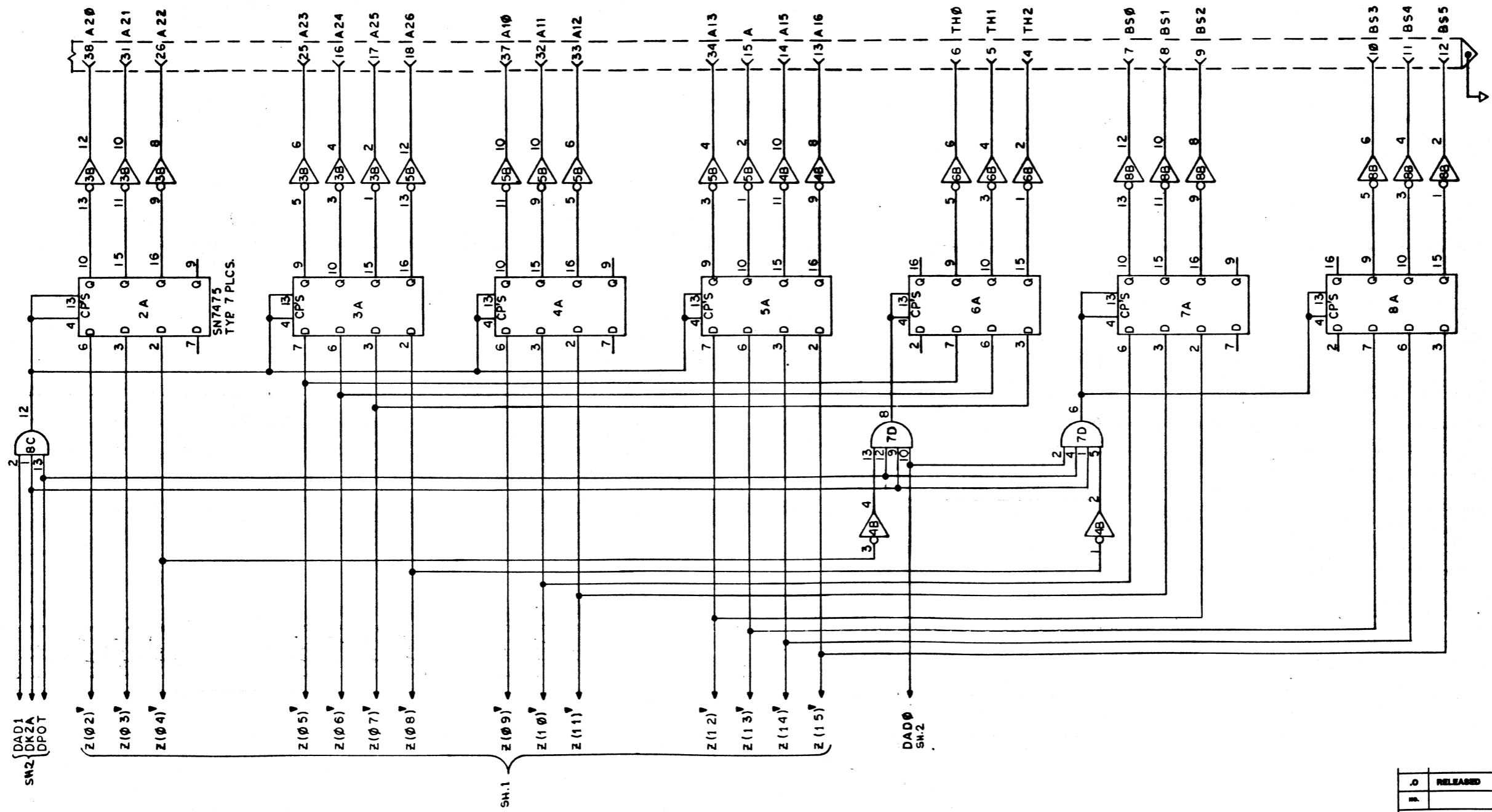
L00529





ASL CH10

L00529		RELEASD	
		C. THACKER DATE: 05/27/70 NONE	
FIRST USED ON ROM TESTER 2 3 L00529A		TITLE: ROM TESTER INTERFACE NETWORKS:	



A31 CH10

RELEASED		DATE		DRAWN		APPROVED	
REVISIONS							
NO. L00529	DESIGNED	C. THACKER		TITLE			
	DRAWN	10-9-70		ROM TESTER			
	DATE	M.M.		INTERFACE			
	SCALE	NONE		FIRST USED ON		ROM TESTER	
		3		OF		3	
						NO. L00529.A	