

REVISIONS			
REV	DATE	DESCRIPTION	APPROVED
X	CM	PROTOTYPE RELEASE	T.E.S.
XZ		ADDED IC44	T.E.S.
X5		DELETED R26	T.E.S.
A6		DELETED FIN 4	T.E.S.
A		PRODUCTION RELEASE PER EN 80513	T.E.S.
-		DELETED R36 PER EN 80513	T.E.S.
B	EM	ADDED C16 PER EN 80532	T.E.S.

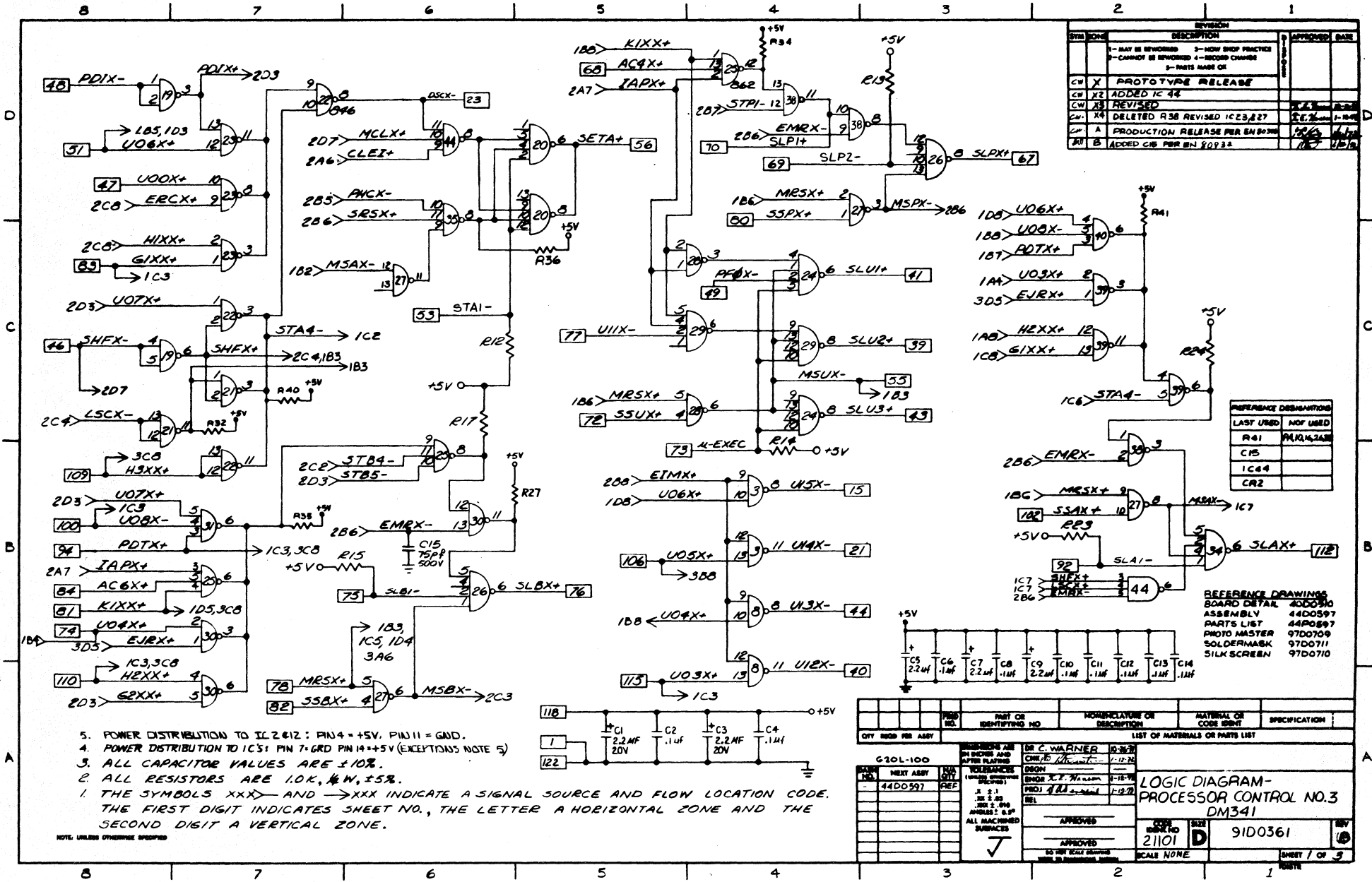
- ▲ MARK SERIAL NO. WHERE SHOWN, USING .12 HIGH PERMANENT CHARACTERS.
  - ▲ MARK REVISION LETTER OF PARTS LIST TO WHICH PART WAS MANUFACTURED, APPROX. WHERE SHOWN IDENTIFICATION TO BE .12 CHARACTERS AND PERMANENT.
- NOTE: UNLESS OTHERWISE SPECIFIED

REFERENCE DRAWINGS  
 BOARD DETAIL 40D0510  
 PHOTO MASTER 97D0709  
 LOGIC DIAGRAM 91D0361  
 SOLDERMASK 97D0711  
 SILK SCREEN 97D0710

FOR PARTS LIST SEE 44PO597

SERIAL NO. 620/L-100 Q1A1277	THIS DOCUMENTARY CONTAINS INFORMATION OF A CONFIDENTIAL NATURE AND IS NOT TO BE DISCLOSED TO ANY OTHER PERSON OR ORGANIZATION WITHOUT THE EXPRESS WRITTEN PERMISSION OF THE OFFICE OF THE SECRETARY OF DEFENSE.	TITLE PROCESSOR CONTROL NO.3 DM341 ASSEMBLY	DATE 21101 D 44D0597
------------------------------------	---	---	----------------------------

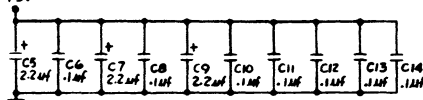
CAUTION: EN 83307  
AFFECTS THIS DWG.



REV	DATE	DESCRIPTION	APPROVED	DATE
		1-MAY BE REVISED 2-CANNOT BE REVISED 3-NOW SHOP PRACTICE 4-RECORD CHANGE 5-PARTS MADE OK		
CW	X	PROTOTYPE RELEASE		
CW	X2	ADDED IC 44		
CW	X3	REVISED		
CW	X4	DELETED R38 REVISED IC23, 227		
CW	A	PRODUCTION RELEASE PER EN 83307		
SP	B	ADDED C15 PER EN 80933		

REFERENCE DESIGNATIONS	
LAST USED	NOT USED
R41	R4, R4, 2A8
C15	
IC44	
CR2	

REFERENCE DRAWINGS	
BOARD DETAIL	400030
ASSEMBLY	4400597
PARTS LIST	4400597
PHOTO MASTER	9700709
SOLDERMASK	9700711
SILK SCREEN	9700710



- POWER DISTRIBUTION TO IC 2&12: PIN 4 = +5V, PIN 11 = GND.
- POWER DISTRIBUTION TO IC 5: PIN 7 = GND, PIN 14 = +5V (EXCEPTIONS NOTE 5)
- ALL CAPACITOR VALUES ARE ±10%.
- ALL RESISTORS ARE 1.0K, 1/4W, ±5%.
- THE SYMBOLS XXX AND →XXX INDICATE A SIGNAL SOURCE AND FLOW LOCATION CODE. THE FIRST DIGIT INDICATES SHEET NO., THE LETTER A HORIZONTAL ZONE AND THE SECOND DIGIT A VERTICAL ZONE.

REV	DATE	PART OR IDENTIFYING NO	DESCRIPTION	MATERIAL OR CODE IDENT	SPECIFICATION

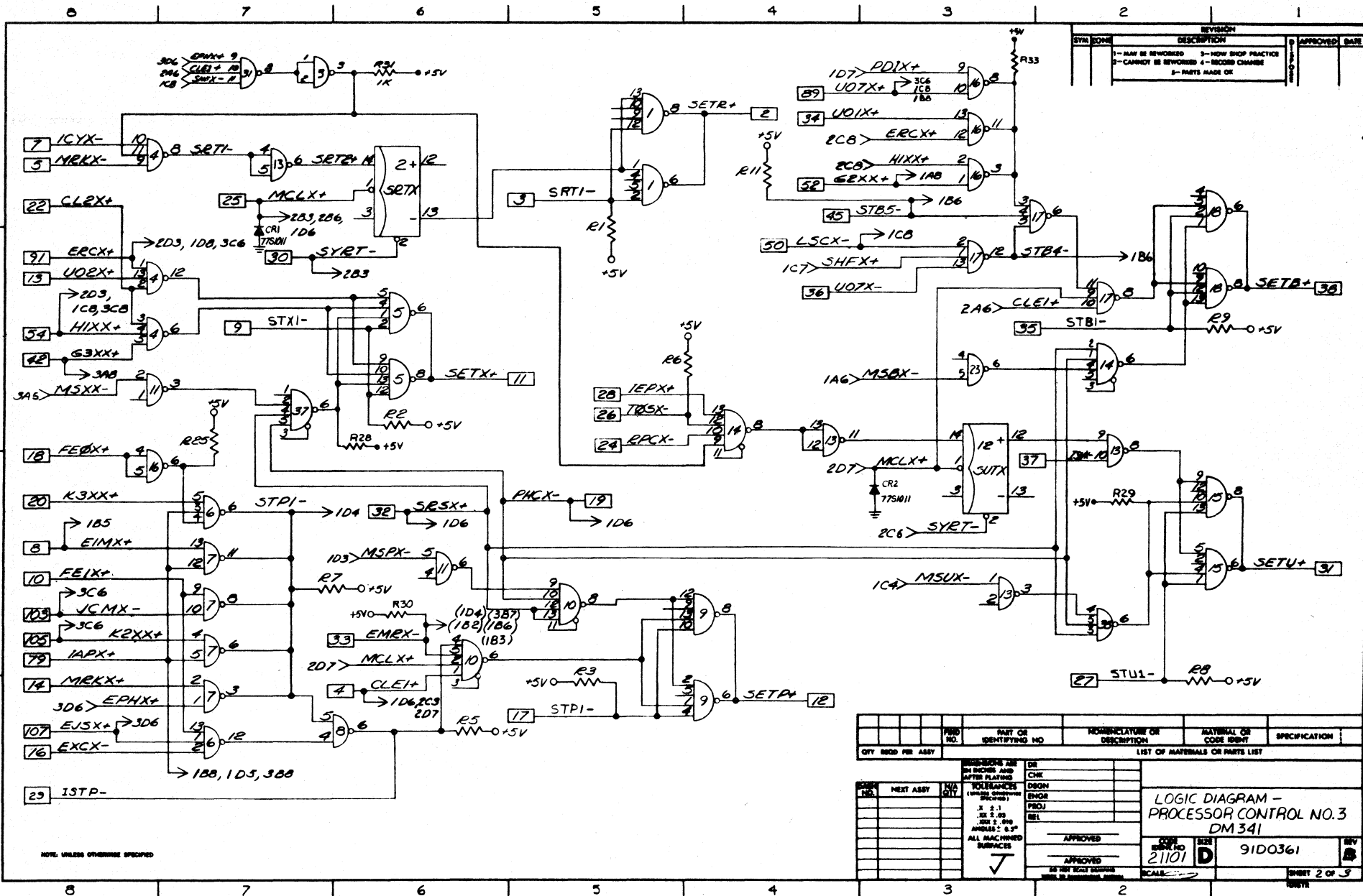
  

REV	DATE	DESCRIPTION	APPROVED	DATE

LOGIC DIAGRAM -  
PROCESSOR CONTROL NO.3  
DM341

REV NO 21101 REV D 91D0361  
SCALE NONE SHEET 7 OF 5

NOTE: UNLESS OTHERWISE SPECIFIED



REVISION		
SYN	EDM	DESCRIPTION
1		MAY BE REWORKED
2		HOW SHOP PRACTICE
3		CANNOT BE REWORKED
4		RECORD CHANGE
5		PARTS MADE OF
APPROVED	DATE	

REV	DATE	BY	DESCRIPTION

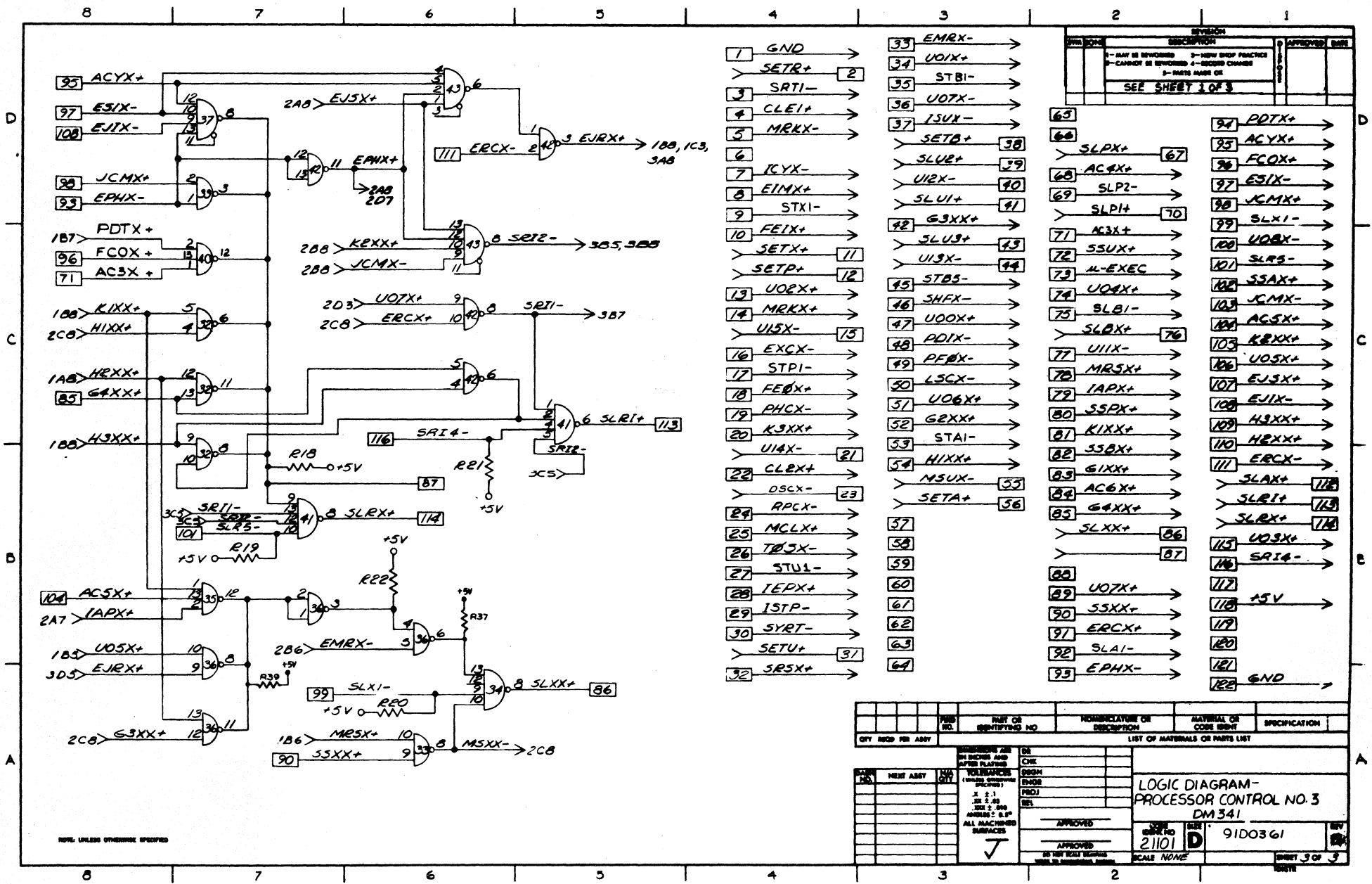
  

PART NO.	IDENTIFYING NO.	QUANTITY	DESCRIPTION	MATERIAL OR CODE	SPECIFICATION
LIST OF MATERIALS OR PARTS LIST					

DIMENSIONS ARE IN INCHES AND DECIMALS THEREOF UNLESS OTHERWISE SPECIFIED TOLERANCES (UNLESS OTHERWISE SPECIFIED) .X ±.1 .XX ±.05 .XXX ±.01 ANGLES ±.5° ALL MACHINED SURFACES	DE CHK DESGN ENGR PROJ DEL	APPROVED  APPROVED BY THE QUALITY CONTROL DIVISION	TITLE <b>LOGIC DIAGRAM -          PROCESSOR CONTROL NO. 3          DM 341</b>	PART NO. <b>21101</b>	REV <b>D</b>	PART NO. <b>91D0361</b>	SHEET <b>2 OF 3</b>
--	---	---	--	--------------------------	-----------------	----------------------------	------------------------

NOTE: UNLESS OTHERWISE SPECIFIED



REV	DESCRIPTION	APPROVED	DATE
1	MAY BE REWORKED		
2	CANNOT BE REWORKED		
3	NEW SHOP PRACTICE		
4	RECORD CHANGE		
5	PARTS MADE OF		
SEE SHEET 1 OF 3			

REV	DESCRIPTION	APPROVED	DATE
65	PDX+		
66	ACYX+		
67	FCOX+		
68	ESIX-		
69	JCMX+		
70	SLX1-		
71	AC3X+		
72	UOZX-		
73	SLRS-		
74	SSAX+		
75	JCMX-		
76	AC3X+		
77	KEXX+		
78	UOSX+		
79	EJTX+		
80	EJIX-		
81	HIXX+		
82	HXX+		
83	ERCX-		
84	SLAX+		
85	SLRI+		
86	SLRX+		
87	UOSX+		
88	SRI4-		
89	UOZX+		
90	SSXX+		
91	ERCX+		
92	SLAI-		
93	EPHX+		
94	PDX+		
95	ACYX+		
96	FCOX+		
97	ESIX-		
98	JCMX+		
99	SLX1-		
100	UOZX-		
101	SLRS-		
102	SSAX+		
103	JCMX-		
104	AC3X+		
105	KEXX+		
106	UOSX+		
107	EJTX+		
108	EJIX-		
109	HIXX+		
110	HXX+		
111	ERCX-		
112	SLAX+		
113	SLRI+		
114	SLRX+		
115	UOSX+		
116	+5V		
117	+5V		
118	+5V		
119			
120			
121			
122	GND		

REV	DESCRIPTION	APPROVED	DATE
1			
2			
3			
4			
5			
6			
7			
8			
9			
10			
11			
12			
13			
14			
15			
16			
17			
18			
19			
20			
21			
22			
23			
24			
25			
26			
27			
28			
29			
30			
31			
32			
33			
34			
35			
36			
37			
38			
39			
40			
41			
42			
43			
44			
45			
46			
47			
48			
49			
50			
51			
52			
53			
54			
55			
56			
57			
58			
59			
60			
61			
62			
63			
64			

NOTE: UNLESS OTHERWISE SPECIFIED

REV	DESCRIPTION	APPROVED	DATE
1			
2			
3			
4			
5			
6			
7			
8			
9			
10			
11			
12			
13			
14			
15			
16			
17			
18			
19			
20			
21			
22			
23			
24			
25			
26			
27			
28			
29			
30			
31			
32			
33			
34			
35			
36			
37			
38			
39			
40			
41			
42			
43			
44			
45			
46			
47			
48			
49			
50			
51			
52			
53			
54			
55			
56			
57			
58			
59			
60			
61			
62			
63			
64			