



# **V70 Series Processor**

## **Operation and Service**

Mini-Computer Operations

2722 Michelson Drive  
P.O. Box C-19504  
Irvine, California 92713

UP-8635



## **V70 SERIES PROCESSOR**

### **Operation and Service Manual**

UP-8635  
98A 9906 026

DECEMBER 1977

The statements in this publication are not intended to create any warranty, express or implied. Equipment specifications and performance characteristics stated herein may be changed at any time without notice. Address comments regarding this document to Sperry Univac, Mini-Computer Operations, Publications Department, 2722 Michelson Drive, P.O. Box C-19504, Irvine, California, 92713.

© 1977 SPERRY RAND CORPORATION

Sperry Univac is a division of Sperry Rand Corporation

Printed in U.S.A.

## CHANGE RECORD

| Page Number   | Issue Date | Change Description                |
|---|------------|-----------------------------------|
| Various   | 11-77      | Deleted all references to Varian. |
| <p><b>Change Procedure:</b></p> <p>When changes occur to this manual, updated pages are issued to replace the obsolete pages. On each updated page, a vertical line is drawn in the margin to flag each change and a letter is added to the page number. When the manual is revised and completely reprinted, the vertical line and page-number letter are removed.</p> |            |                                   |

LIST OF EFFECTIVE PAGES

| Page Number | Change in Effect   |
|-------------|--------------------|
| All         | Complete revision. |

# TABLE OF CONTENTS

## SECTION 1 GENERAL DESCRIPTION

## SECTION 2 INSTALLATION

|                               |     |
|-------------------------------|-----|
| 2.1 INSPECTION.....           | 2-1 |
| 2.2 PHYSICAL DESCRIPTION..... | 2-1 |
| 2.3 INTERCONNECTION.....      | 2-1 |

## SECTION 3 OPERATION

|  |     |
|--|-----|
| 3.1 SWITCHES AND INDICATORS.....                                   | 3-1 |
| 3.1.1 POWER Switch.....  | 3-1 |
| 3.1.2 STEP/RUN Switch and STEP and RUN Indicators.....             | 3-1 |
| 3.1.3 START Switch.....  | 3-1 |
| 3.1.4 BOOT Switch.....   | 3-1 |
| 3.1.5 Register-Entry Switches and Register-Display Indicators..... | 3-3 |
| 3.1.6 DISPL CLR Switch.....  | 3-3 |
| 3.1.7 DISPLAY SELECT Switches and Indicators.....                  | 3-3 |
| 3.1.7.1 MEM Switch.....  | 3-3 |
| 3.1.7.2 STATUS Switch.....   | 3-3 |
| 3.1.7.3 I Switch.....  | 3-3 |
| 3.1.7.4 P Switch.....  | 3-3 |
| 3.1.7.5 REG Switch.....  | 3-4 |
| 3.1.8 DISPL and ENTER Switches.....                                | 3-4 |
| 3.1.9 REG SELECT Switches and Indicators.....                      | 3-4 |
| 3.1.10 CLEAR and INCR Switches.....                                | 3-5 |
| 3.1.11 INT Switch.....   | 3-5 |
| 3.1.12 RESET Switch.....   | 3-5 |
| 3.1.13 SENSE Switches and Indicators.....                          | 3-5 |
| 3.1.14 BOOT SELECT Switch.....                                     | 3-5 |
| 3.2 MANUAL OPERATIONS.....   | 3-5 |
| 3.2.1 Displaying Register Contents.....                            | 3-5 |
| 3.2.2 Displaying Memory Contents.....                              | 3-5 |
| 3.2.3 Displaying Overflow Status.....                              | 3-6 |
| 3.2.4 Entering Data in Memory.....                                 | 3-6 |
| 3.2.5 Entering Data in a Register.....                             | 3-6 |
| 3.3 PROGRAM EXECUTION.....   | 3-6 |
| 3.3.1 Power On.....  | 3-6 |
| 3.3.2 Loading the Bootstrap Program.....                           | 3-6 |
| 3.3.3 Executing a Stored Program.....                              | 3-8 |

# CONTENTS

## SECTION 4 THEORY OF OPERATION

|   |      |
|---|------|
| 4.1 GENERAL.....                              | 4-1  |
| 4.2 FUNCTIONAL DESCRIPTION .....              | 4-1  |
| 4.2.1 Central Control .....                   | 4-1  |
| 4.2.2 Data Loop .....                         | 4-3  |
| 4.2.3 Memory Control .....                    | 4-3  |
| 4.2.4 I/O Data Loop .....                     | 4-3  |
| 4.2.5 I/O Control.....                        | 4-3  |
| 4.3 CENTRAL CONTROL CIRCUITS.....             | 4-3  |
| 4.3.1 Instruction Register .....              | 4-4  |
| 4.3.2 Instruction Field Selector .....        | 4-4  |
| 4.3.3 Instruction Decoder .....               | 4-6  |
| 4.3.4 Instruction Decoding Logic .....        | 4-8  |
| 4.3.5 Address Control .....                   | 4-8  |
| 4.3.6 Address Selector .....                  | 4-8  |
| 4.3.7 Control Store.....                      | 4-10 |
| 4.3.8 Buffer Control .....                    | 4-10 |
| 4.3.9 Register Field Selector .....           | 4-10 |
| 4.3.10 Control Store Buffer (Bits 32-63)..... | 4-10 |
| 4.3.11 Control Field Decoder .....            | 4-10 |
| 4.3.12 Memory, I/O, and Clock Control .....   | 4-14 |
| 4.3.13 Reset Logic.....                       | 4-15 |
| 4.3.14 Interrupt Logic.....                   | 4-15 |
| 4.3.15 Supervisor Control and Clocks .....    | 4-16 |
| 4.3.16 Execution Control.....                 | 4-16 |
| 4.4 DATA LOOP CIRCUITS .....                  | 4-16 |
| 4.4.1 Control Store Buffer (Bits 0-31).....   | 4-16 |
| 4.4.2 Register Files A and B .....            | 4-16 |
| 4.4.3 File Control .....                      | 4-19 |
| 4.4.4 Latch A Control .....                   | 4-20 |
| 4.4.5 Latch A.....                            | 4-20 |
| 4.4.6 Latch B Control .....                   | 4-21 |
| 4.4.7 Latch B.....                            | 4-22 |
| 4.4.8 B Multiplexor .....                     | 4-22 |
| 4.4.9 Arithmetic and Logic Unit.....          | 4-22 |
| 4.4.10 ALU Control .....                      | 4-26 |
| 4.4.11 Register Control.....                  | 4-26 |
| 4.4.12 Shift Control.....                     | 4-27 |
| 4.4.13 Operand Control .....                  | 4-27 |
| 4.4.14 Operand Register.....                  | 4-29 |
| 4.4.15 Key Register.....                      | 4-29 |
| 4.4.16 Program Counter .....                  | 4-29 |
| 4.4.17 Shift Counter .....                    | 4-29 |
| 4.4.18 Status and Test Logic.....             | 4-29 |
| 4.5 MEMORY CONTROL CIRCUITS .....             | 4-30 |
| 4.5.1 Address Multiplexor .....               | 4-30 |
| 4.5.2 Address Latch .....                     | 4-32 |
| 4.5.3 Address Drivers .....                   | 4-32 |
| 4.5.4 Address Comparator.....                 | 4-32 |
| 4.5.5 Data Multiplexor .....                  | 4-32 |
| 4.5.6 Data Drivers .....                      | 4-32 |
| 4.5.7 I/O Latch .....                         |      |
| 4.5.8 Input Latch .....                       | 4-32 |

## SECTION 4 THEORY OF OPERATION (continued)

|  |      |
|--|------|
| 4.5.9 Instruction Buffer .....                         | 4-32 |
| 4.5.10 Writing Drivers .....                           | 4-32 |
| 4.5.11 Key Logic.....                                  | 4-32 |
| 4.5.12 Clock Generator .....                           | 4-32 |
| 4.5.13 Control Sequencer .....                         | 4-34 |
| 4.5.14 Priority Logic.....                             | 4-34 |
| 4.5.15 Control Logic 1.....                            | 4-34 |
| 4.5.16 Control Logic 2.....                            | 4-34 |
| 4.6 I/O DATA LOOP.....                                 | 4-34 |
| 4.6.1 I/O Multiplexor .....                            | 4-36 |
| 4.6.2 I/O Register .....                               | 4-37 |
| 4.6.3 I/O Drivers and Receivers.....                   | 4-37 |
| 4.7 I/O CONTROL.....                                   | 4-37 |
| 4.7.1 Microinstruction Sequencing.....                 | 4-38 |
| 4.7.1.1 Address Selector .....                         | 4-38 |
| 4.7.1.2 Address Counter .....                          | 4-38 |
| 4.7.1.3 I/O Control Store .....                        | 4-38 |
| 4.7.1.4 Buffer .....                                   | 4-38 |
| 4.7.2 Decoding and Sequencing Control.....             | 4-45 |
| 4.7.2.1 Address-Counter Loading Control .....          | 4-45 |
| 4.7.2.2 Address Selector Control .....                 | 4-45 |
| 4.7.2.3 Clock Inhibitor .....                          | 4-45 |
| 4.7.2.4 I/O Function Decoder .....                     | 4-45 |
| 4.7.2.5 Inhibit-Idle Control.....                      | 4-45 |
| 4.7.3 Interrupt and DMA Control .....                  | 4-45 |
| 4.7.3.1 Interrupt Clock Generator.....                 | 4-45 |
| 4.7.3.2 Sample Control Logic .....                     | 4-45 |
| 4.7.3.3 Interrupt Acknowledgment Control .....         | 4-48 |
| 4.7.3.4 Interrupt Flip-Flop .....                      | 4-48 |
| 4.7.3.5 Interrupt Clock Inhibitor .....                | 4-48 |
| 4.7.3.6 DMA Acknowledgment Control.....                | 4-48 |
| 4.7.4 I/O Data-Loop Control.....                       | 4-48 |
| 4.7.5 Processor-I/O Control .....                      | 4-48 |
| 4.7.5.1 I/O Done and Write Control.....                | 4-48 |
| 4.7.5.2 Request and Acknowledgment Control .....       | 4-50 |
| 4.7.5.3 Miscellaneous Control.....                     | 4-50 |
| 4.7.6 Drivers/Receivers and Miscellaneous Control..... | 4-50 |
| 4.7.6.1 Drivers/Receivers .....                        | 4-50 |
| 4.7.6.2 Buffers and Decoder.....                       | 4-50 |
| 4.7.6.3 Function and Data Ready Control .....          | 4-50 |
| 4.7.6.4 Memory Time-Out .....                          | 4-50 |
| 4.7.7 Programmed I/O Operation.....                    | 4-53 |
| 4.7.8 Interrupt Operation.....                         | 4-55 |
| 4.7.9 Normal DMA Operations .....                      | 4-60 |
| 4.7.10 High-Speed DMA Operations.....                  | 4-64 |
| 4.8 CONTROL-STORE WORD FORMAT.....                     | 4-65 |
| 4.9 CONTROL-STORE ADDRESSING.....                      | 4-72 |
| 4.9.1 Normal Addressing.....                           | 4-72 |
| 4.9.2 Normal/TS Field Addressing.....                  | 4-72 |

## CONTENTS

### SECTION 4 THEORY OF OPERATION *(continued)*

|   |      |
|---|------|
| 4.9.3 Field-Selection Addressing.....                       | 4-72 |
| 4.9.4 Conditional-Test Addressing.....                      | 4-75 |
| 4.9.5 Interrupt Addressing.....                             | 4-75 |
| 4.9.6 Decoding Addressing.....                              | 4-75 |
| 4.10 CONTROL-PANEL CIRCUITS.....                            | 4-79 |
| 4.10.1 File Address Register.....                           | 4-79 |
| 4.10.2 Toggle Register.....                                 | 4-79 |
| 4.10.3 Clock Generator.....                                 | 4-81 |
| 4.10.4 Run-Mode Control.....                                | 4-81 |
| 4.10.5 Interrupt Control.....                               | 4-81 |
| 4.10.6 Blink Oscillator.....                                | 4-81 |
| 4.10.7 Input Encoder and I/O Bus Drivers.....               | 4-82 |
| 4.10.8 I/O Control Buffer.....                              | 4-82 |
| 4.10.9 Display Register.....                                | 4-82 |
| 4.10.10 Display-Selection Register.....                     | 4-84 |
| 4.10.11 Pulse Register.....                                 | 4-84 |
| 4.10.12 Data-Display Drivers and Light-Emitting Diodes..... | 4-84 |
| 4.10.13 Switches, Debounce and Pull-Up Circuits.....        | 4-84 |
| 4.10.14 I/O Bus Terminators.....                            | 4-84 |
| 4.11 Microprogramming Examples.....                         | 4-85 |
| 4.11.1 LDA Instruction.....                                 | 4-85 |
| 4.11.2 STA Instruction.....                                 | 4-88 |

### SECTION 5 MAINTENANCE

|   |     |
|---|-----|
| 5.1 TEST EQUIPMENT.....                   | 5-1 |
| 5.2 CIRCUIT BOARDS.....                   | 5-1 |
| 5.3 CIRCUIT-COMPONENT IDENTIFICATION..... | 5-1 |

### SECTION 6 MNEMONICS

### LIST OF ILLUSTRATIONS

|   |      |
|---|------|
| Figure 2-1. Processor or Option Board.....              | 2-2  |
| Figure 2-2. Control Panel Board.....                    | 2-2  |
| Figure 2-3. Typical Mainframe Installation.....         | 2-3  |
| Figure 2-4. Interconnection Diagram.....                | 2-4  |
| Figure 3-1. Processor Control Panel.....                | 3-2  |
| Figure 4-1. Processor Functional Block Diagram.....     | 4-1  |
| Figure 4-2. Processor Bus Structure.....                | 4-5  |
| Figure 4-3. Central Control Block Diagram.....          | 4-4  |
| Figure 4-4. Instruction Decoder ROMs Block Diagram..... | 4-6  |
| Figure 4-5. Decoding Logic Driver.....                  | 4-9  |
| Figure 4-6. Register Field Selector Block Diagram.....  | 4-11 |
| Figure 4-7. Control Store Buffer (Bits 32-63).....      | 4-12 |
| Figure 4-8. Control Field Decoder Block Diagram.....    | 4-13 |



## LIST OF ILLUSTRATIONS (continued)

|   |      |
|---|------|
| Figure 4-9. Data Loop Block Diagram.....                      | 4-17 |
| Figure 4-10. Control Store Buffer (Bits 0-31).....            | 4-18 |
| Figure 4-11. Register Files Block Diagram.....                | 4-19 |
| Figure 4-12. Latch A Block Diagram.....                       | 4-20 |
| Figure 4-13. B-Multiplexor Block Diagram.....                 | 4-23 |
| Figure 4-14. ALU Block Diagram.....                           | 4-24 |
| Figure 4-15. Memory Control Block Diagram.....                | 4-31 |
| Figure 4-16. Clock and Sequencer Waveforms.....               | 4-33 |
| Figure 4-17. Processor Clock Inhibiting.....                  | 4-35 |
| Figure 4-18. I/O Data Loop Block Diagram.....                 | 4-35 |
| Figure 4-19. I/O Multiplexor Block Diagram.....               | 4-36 |
| Figure 4-20. Byte-Transfer Modes of I/O Register.....         | 4-38 |
| Figure 4-21. Microinstruction-Sequencing Circuits.....        | 4-39 |
| Figure 4-22. I/O Control Store and Buffer Block Diagram.....  | 4-39 |
| Figure 4-23. I/O Control-Store Word Format.....               | 4-40 |
| Figure 4-24. Decoding and Sequencing Control.....             | 4-46 |
| Figure 4-25. Interrupt and DMA Control.....                   | 4-47 |
| Figure 4-26. I/O Data Loop Control.....                       | 4-48 |
| Figure 4-27. Processor I/O Control.....                       | 4-49 |
| Figure 4-28. Drivers/Receivers and Miscellaneous Control..... | 4-51 |
| Figure 4-29. Normal I/O Operations.....                       | 4-51 |
| Figure 4-30. High-Speed DMA Operations.....                   | 4-52 |
| Figure 4-31. Memory Time-Out Waveforms.....                   | 4-53 |
| Figure 4-32. Programmed I/O Control Waveforms.....            | 4-54 |
| Figure 4-33. Interrupt Flow Diagram.....                      | 4-56 |
| Figure 4-34. Interrupt Timing Waveforms.....                  | 4-57 |
| Figure 4-35. Sub-Operation 1 Timing Waveforms.....            | 4-58 |
| Figure 4-36. Sub-Operation 2 Timing Waveforms.....            | 4-58 |
| Figure 4-37. Sub-Operation 3 Timing Waveforms.....            | 4-59 |
| Figure 4-38. Sub-Operation 4 and 5 Timing Waveforms.....      | 4-61 |
| Figure 4-39. Sub-Operation 6 Timing Waveforms.....            | 4-61 |
| Figure 4-40. Sub-Operation 7 Timing Waveforms.....            | 4-62 |
| Figure 4-41. Normal DMA Waveforms.....                        | 4-63 |
| Figure 4-42. High-Speed DMA Waveforms.....                    | 4-64 |
| Figure 4-43. Control-Store Word Format (Sheet 1 of 4).....    | 4-68 |
| Figure 4-43. Control-Store Word Format (Sheet 2 of 4).....    | 4-69 |
| Figure 4-43. Control-Store Word Format (Sheet 3 of 4).....    | 4-70 |
| Figure 4-43. Control-Store Word Format (Sheet 4 of 4).....    | 4-71 |
| Figure 4-44. Normal Addressing.....                           | 4-72 |
| Figure 4-45. Normal/TS Field Addressing.....                  | 4-73 |
| Figure 4-46. Formation of Field-Selection Addressing.....     | 4-74 |
| Figure 4-47. Addressing When Condition is Not Met.....        | 4-76 |
| Figure 4-48. Interrupt Addressing.....                        | 4-76 |
| Figure 4-49. Output Formats of ROM Decoders.....              | 4-77 |
| Figure 4-50. Decoding Address Components.....                 | 4-78 |
| Figure 4-51. Control-Panel Circuits Block Diagram.....        | 4-80 |
| Figure 4-52. Interrupt Control Waveforms.....                 | 4-81 |
| Figure 4-53. I/O Control Buffer Waveforms.....                | 4-83 |

LIST OF ILLUSTRATIONS *(continued)*

|  |      |
|--|------|
| Figure 4-54. Pulse Register Waveforms .....        | 4-84 |
| Figure 4-55. Flowchart for LDA Instruction .....   | 4-88 |
| Figure 4-56. Flow Diagram of LDA Instruction ..... | 4-89 |
| Figure 4-57. STA Instruction Timing Diagram .....  | 4-89 |

## LIST OF TABLES

|   |      |
|---|------|
| Table 1-1. Processor Specifications .....   | 1-1  |
| Table 3-1. Register Selection Codes for Basic Instruction Set .....               | 3-4  |
| Table 3-2. Register Selection Codes for Extended Instruction Set .....            | 3-4  |
| Table 3-3. Automatic Bootstrap Programs for High-Speed and Teletype Readers ..... | 3-7  |
| Table 3-4. Automatic Bootstrap Program for Disc Memory .....                      | 3-7  |
| Table 3-5. Manual Bootstrap Programs .....  | 3-7  |
| Table 4-1. Instruction Multiplexor Truth Table (IC Type SN74151) .....            | 4-4  |
| Table 4-2. A2 ROM Truth Table .....   | 4-7  |
| Table 4-3. A3 ROM Truth Table .....   | 4-7  |
| Table 4-4. Register Multiplexor Truth Table (IC Type SN74151) .....               | 4-12 |
| Table 4-5. T-Field Decoder Truth Table .....                                      | 4-13 |
| Table 4-6. S-Field Decoder Truth Table .....                                      | 4-14 |
| Table 4-7. IM-Field Decoder Truth Table .....                                     | 4-14 |
| Table 4-8. Register File Address Codes .....                                      | 4-19 |
| Table 4-9. Shifting Multiplexor Truth Table .....                                 | 4-21 |
| Table 4-10. B-Field Codes .....   | 4-23 |
| Table 4-11. ALU Operations .....  | 4-25 |
| Table 4-12. Register-Control Decoder Truth Table .....                            | 4-26 |
| Table 4-13. Shift-Left Multiplexors Truth Table .....                             | 4-27 |
| Table 4-14. Shift-Right Multiplexors Truth Table .....                            | 4-28 |
| Table 4-15. Operand Register Modes .....  | 4-28 |
| Table 4-16. Address Multiplexor Truth Table .....                                 | 4-30 |
| Table 4-17. I/O Multiplexor Truth Table .....                                     | 4-37 |
| Table 4-18. I/O Register Modes .....  | 4-37 |
| Table 4-19. Programmed I/O for SEN, EXC, and EXC2 Instructions .....              | 4-41 |
| Table 4-20. Programmed I/O, Input-Data Transfer .....                             | 4-41 |
| Table 4-21. Programmed I/O, Output-Data Transfer .....                            | 4-42 |
| Table 4-22. DMA, Trap-Out Operation .....   | 4-42 |
| Table 4-23. DMA, Trap-In Operation .....  | 4-43 |
| Table 4-24. High-Speed DMA, Trap-Out Operation .....                              | 4-43 |
| Table 4-25. High-Speed DMA, Trap-In Operation .....                               | 4-44 |
| Table 4-26. I/O Interrupt Operation .....   | 4-44 |
| Table 4-27. Field-Selection Addressing Contribution .....                         | 4-73 |
| Table 4-28. Test Conditions .....   | 4-75 |
| Table 4-29. TS-Field Interrupt Functions .....                                    | 4-75 |
| Table 4-30. Toggle Register Truth Table .....                                     | 4-79 |
| Table 4-31. Input Encoder Truth Table .....                                       | 4-82 |
| Table 6-1. Mnemonics .....  | 6-1  |

# SECTION 1

## GENERAL DESCRIPTION

The **V70 Series Processor Manual** describes the processor, I/O control, and control panel.

**NOTE:**

In this manual, unless otherwise specified, the term "V70 Series" applies to the following computer models: V72, V73, V75, V76, and 77-600.

The manual is divided into six sections:

- Features and specifications of the processor, and related publications
- Installation and interconnection data
- Operation
- Theory of operation
- Maintenance
- Mnemonics list

Documents such as logic diagrams, schematics and parts lists are supplied in a system documentation package. This documentation is assembled when the equipment is shipped, and reflects the configuration of a specific system.

The following list contains the part numbers of other manuals pertinent to the V70 series computers (the x at the end of each document number is the revision number and can be any digit 0 through 9):

|                                  |               |
|----------------------------------|---------------|
| 8K Core Memory Manual            | 98 A 9906 03x |
| 8K Semiconductor Memory Manual   | 98 A 9906 04x |
| 16K Core Memory Manual (1200 ns) | 98 A 9906 24x |
| 16K Core Memory Manual (990 ns)  | 98 A 9906 25x |
| Option Board Manual              | 98 A 9906 05x |
| Power Supply (Universal) Manual  | 98 A 9906 06x |
| V72 Power Supply Manual          | 98 A 9906 12x |
| Microprogramming Guide           | 98 A 9906 07x |
| Writable Control Store Manual    | 98 A 9906 08x |
| Memory Map Manual                | 98 A 9906 10x |
| MAINTAIN III Manual              | 98 A 9952 07x |

High-speed logic and use of a 60-nanosecond access-time control store permits the processor to execute a single microinstruction in 165 nanoseconds. A processor interface is provided that permits the internal control-store to be disabled by a writable control store allowing for special applications through user microprograms. Other features of the processor are:

- High performance through instruction pipelining
- Extendable architecture through microprogramming
- Independent operation of memory, I/O, and processor functions
- Multiple-bus structure
- 16 general-purpose registers
- Comprehensive set of shift, arithmetic, and logical functions

Table 1-1 lists the specifications of the processor.

**Table 1-1. Processor Specifications**

| Parameter               | Specification   |
|-------------------------|---|
| Speed                   | 165 nanoseconds (microinstruction execution time)   |
| Word length             | 16 bits   |
| Logic levels (internal) | High = +2.4 to +5.0V dc<br>Low = -0.4 to +0.8V dc   |
| Logic levels (I/O bus)  | High = +2.8 to +3.6V dc<br>Low = -0.4 to +0.8V dc   |
| Power                   | Processor board: 5V dc at 12A<br>Option board (with all options): 5V dc at 11A<br>Control-panel board: 5V dc at 2.1A<br>Termination shoes (on back of mainframe): 5V dc at 3.2A |
| Environment             | 0 to 50 degrees C, 10 to 90 percent relative humidity without condensation.   |
| Forced-air cooling      | For each 3W dc power, one cubic foot of air per minute applied above and below each circuit board.  |

## SECTION 2 INSTALLATION

### 2.1 INSPECTION

The processor has been packed and inspected to ensure its arrival in good working order. To prevent damage, take care during unpacking and handling. Check the shipping list to ensure that all equipment has been received. Immediately after unpacking, inspect the equipment for shipping damage. Ascertain that wires and cables are neither loose nor broken, and that hardware is secure. If damage exists:

- a. Notify the transportation company.
- b. Notify Sperry Univac.
- c. Save all packing material.

### 2.2 PHYSICAL DESCRIPTION

The processor circuits are on the 15.6 by 19 inch processor board (p/n 44P0614), the I/O control circuits are on a portion of the 15.6 by 19 inch option board (p/n 44P0619), and the control-panel circuits are on the 9.5 by 17.5 inch control-panel board (p/n 44P0645). On the control-panel board, is mounted a switch assembly (p/n 44P0647) containing control-panel switches. The printed-circuit (PC) boards are illustrated in figures 2-1 and 2-2.

Figure 2-3 shows the locations of the processor, option, and control-panel boards in a typical mainframe installation. The control panel can be hinged open (figure 2-3) or completely removed from the mainframe as follows:

- a. Pull out the control panel to the locked position (approximately 2 inches).
- b. Lift up on the control panel a fraction of an inch. The panel can now be hinged down to its open position.
- c. For complete removal of the control panel, unplug cables from connectors J1 and J2 on the control-panel board, press in the locking devices on sides of slides, and pull panel completely out of the mainframe.
- d. To install the control panel back into the mainframe, insert slides into slide rails and slide the panel toward the mainframe (the slide locking devices must be pressed to move panel past the locked position).

### 2.3 INTERCONNECTION

Circuit-board connector functions are listed as follows:

#### a. Processor board

- P1, memory and power
- J2, writable control store
- J3, writable control store
- J4, option board
- J5, I/O lines
- J6, multiple processor and writable control store

#### b. Option board

- P1, memory and power
- J2, not used
- J3, auxiliary I/O lines
- J4, processor board
- J5, I/O lines
- J6, writable control store and processor
- J7, priority memory access
- J8, Teletype

#### c. Control-panel board

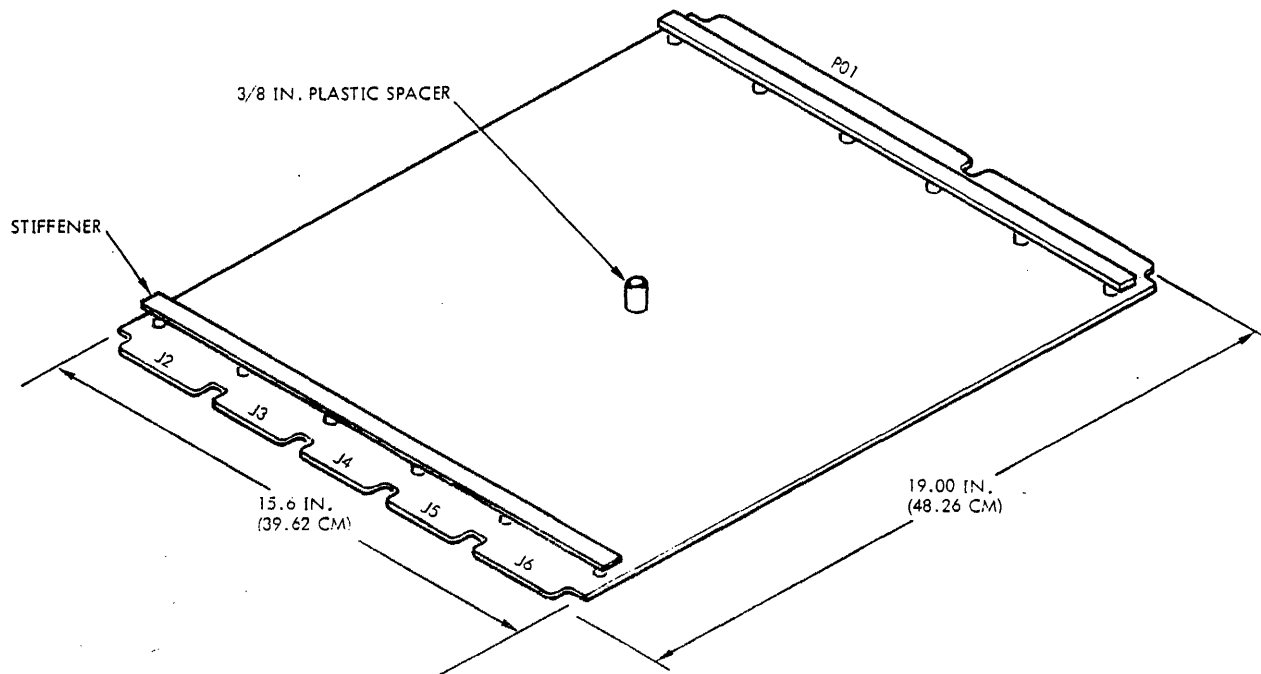
- J1, I/O lines
- J2, power
- J3, switch assembly
- J4, switch assembly

The pin assignments for these circuit-board connectors are given in the logic diagrams of each board (in System Maintenance Manual). Logic diagram part numbers are:

- a. Processor logic diagram, p/n 91B0378.
- b. Option logic diagram, p/n 91B0401.
- c. Control-panel logic diagram, p/n 91B0406.

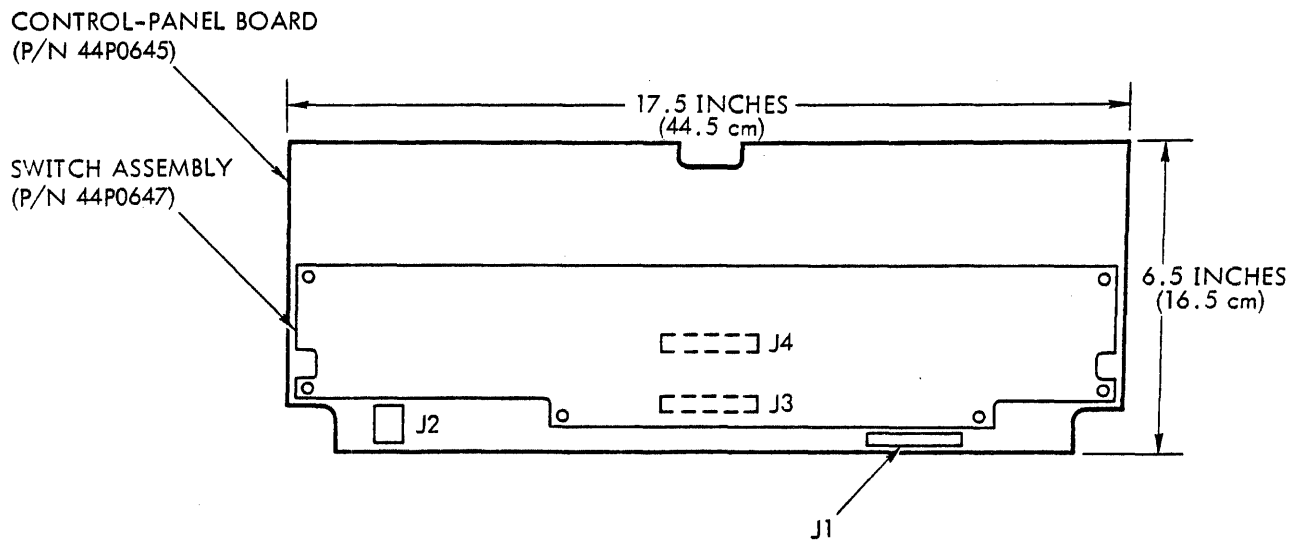
Interconnection of the processor, option, and control-panel boards is shown in figure 2-4.

**INSTALLATION**



VTII-1478

**Figure 2-1. Processor or Option Board**

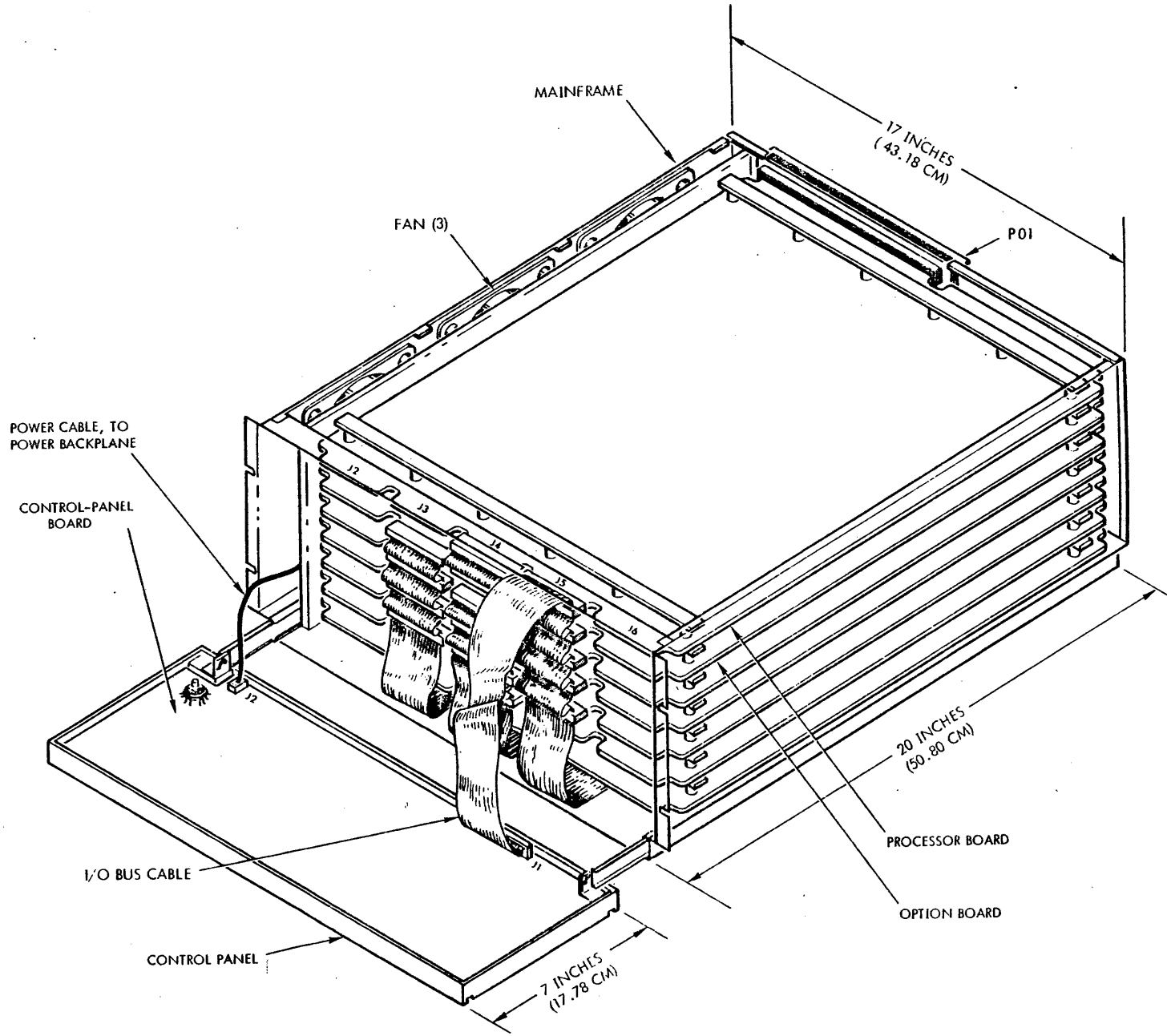


NOTE: ELECTRICAL CONNECTIONS BETWEEN CONTROL-PANEL BOARD AND SWITCH ASSEMBLY ARE VIA J3 AND J4

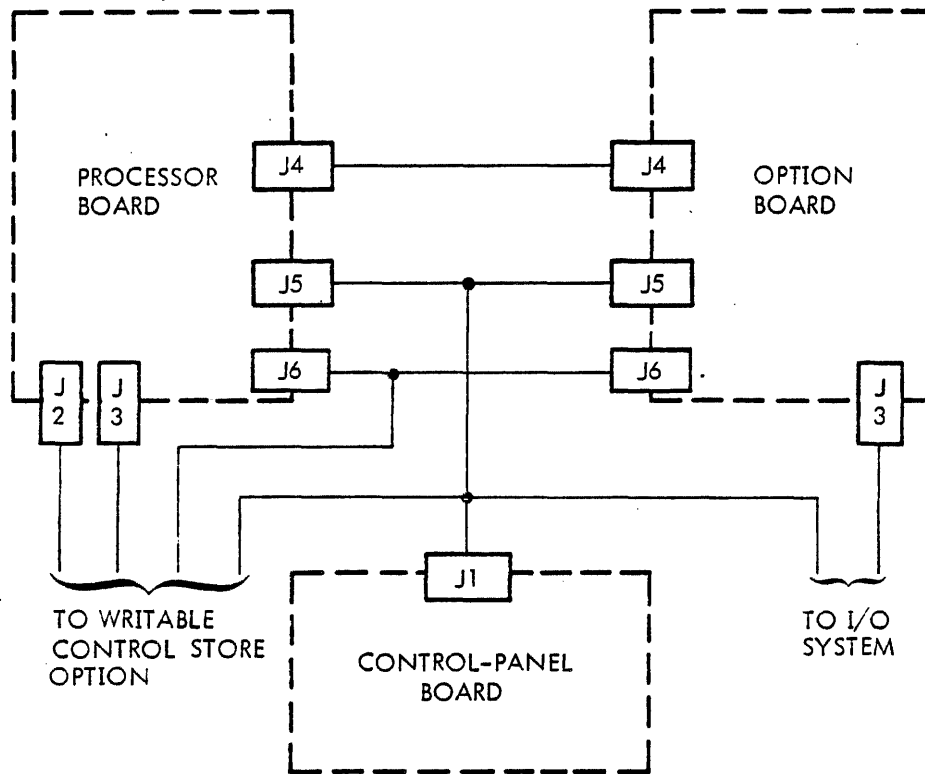
VTII-1670

**Figure 2-2. Control Panel Board**

Figure 2-3. Typical Mainframe Installation (Seven-Inch Chassis)



INSTALLATION



VT11-1672

Figure 2-4. Interconnection Diagram

## SECTION 3 OPERATION

This section describes the operation of the V70 series computers.

### 3.1 SWITCHES AND INDICATORS

All switches and indicators required for operating the computer are located on the control panel. Not all computer models have the BOOT SELECT switch located in the upper half of the control panel shown in figure 3-1; however, the other controls and indicators are the same on all models. Except for the POWER and BOOT SELECT switches, which are key-operated, all control-panel switches are pushbuttons.

#### 3.1.1 POWER Switch

The POWER switch is a key-operated, four-position switch that controls the ac line voltage to the computer power supply.

In the OFF position, the ac line voltage is removed from the input of the power supply and the optional data saver is disabled (if present). NOTE: When turning off power on systems with semiconductor memory, do not restore power for at least 30 seconds to ensure the refresher logic is operating.

In the HOLD position, the ac line voltage is applied to the power supply. All dc voltages are disabled except those required to maintain data in the semiconductor memory. Neither the computer nor the control panel is operational.

In the ON position, the ac line voltage is applied to the power supply. Both the computer and control panel are fully operational.

The CONSOLE DISABLE position is jumper-selectable to operate in two modes:

- a. All control-panel pushbutton switches are disabled.
- b. Only the STEP/RUN and RESET switches are disabled.

The jumper is factory-installed on the control-panel circuit board. With the POWER switch in the CONSOLE DISABLE position, the ac line voltage is applied to the power supply, the computer is operational, and the control-panel indicator lights are functional. The key can be removed from the POWER switch in any of the four positions.

To turn off the computer from the CONSOLE DISABLE position, turn the POWER switch ON, place the computer in the step mode (using STEP/RUN switch), and then turn the POWER switch to either HOLD (to maintain data in semiconductor memory) or OFF.

#### 3.1.2 STEP/RUN Switch and STEP and RUN Indicators

The STEP/RUN switch is an alternate-action switch that switches the computer alternately to the step and run modes. In the step mode, the STEP indicator lights. In the run mode, the RUN indicator blinks until the START switch is pressed, at which time the RUN indicator comes on continuously.

When the computer is in the step mode, pressing the STEP/RUN switch places the computer in the run mode. The STEP indicator goes out and the RUN indicator blinks. When in the run mode, the computer is ready to be started (by pressing the START switch).

When the computer is in the run mode and has been started, pressing the STEP/RUN switch halts the computer after the current instruction has been executed and the next instruction fetched and loaded into the I register. The RUN indicator goes out and the STEP indicator lights. In addition, a halt instruction (after the computer has been started) halts the computer and causes the RUN indicator to blink.

#### 3.1.3 START Switch

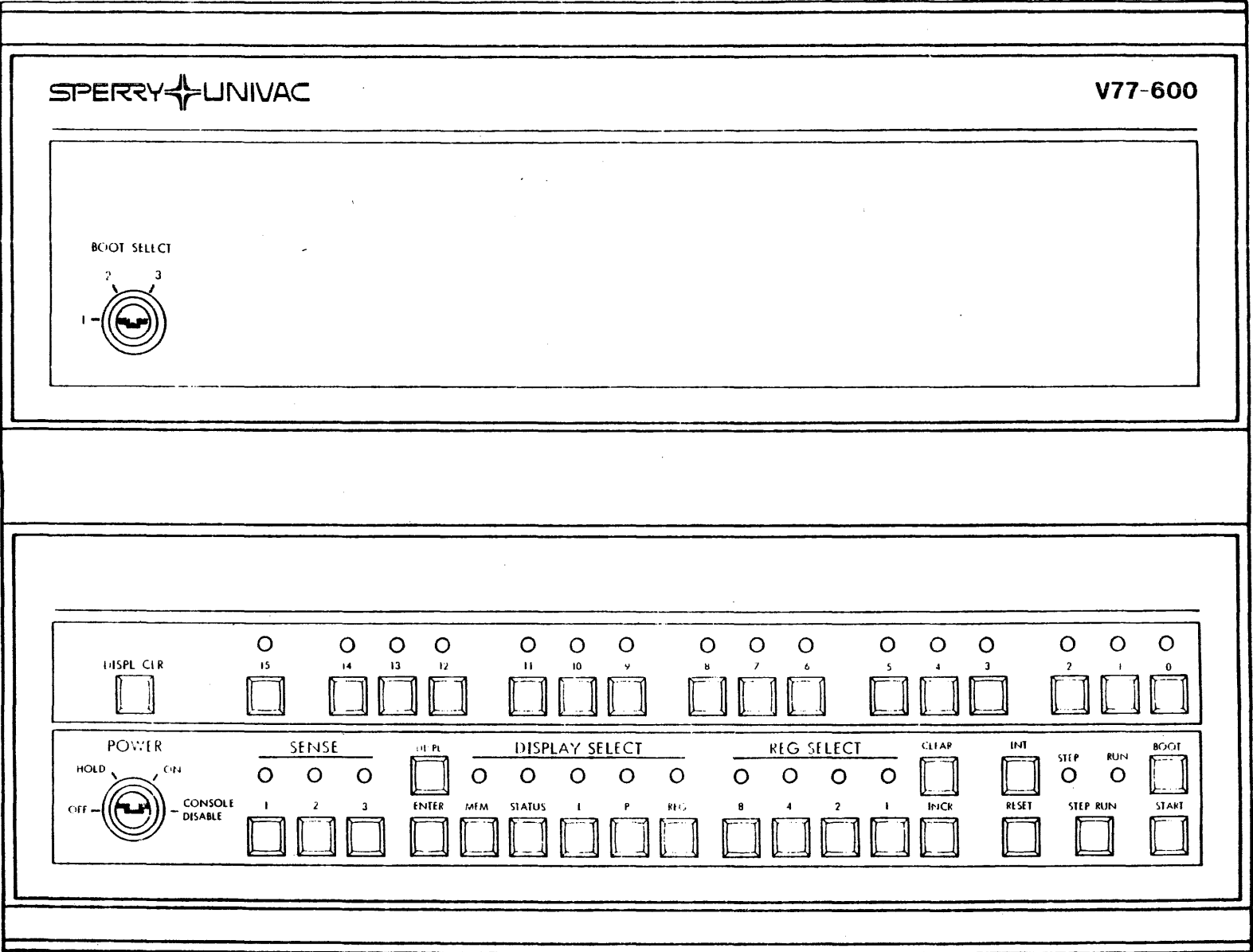
When the computer is in the run mode but has not been started, pressing the START switch starts the program at the location specified by the contents of the program counter. The RUN indicator stops blinking and comes on continuously.

When the computer is in the step mode, pressing the START switch executes the instruction in the instruction register. Then it fetches the next instruction from the memory address specified by the contents of the program counter and loads it in the instruction register. The STEP indicator remains on.

#### 3.1.4 BOOT Switch

The BOOT switch allows the bootstrap program to be loaded into the computer memory automatically. The bootstrap program enables the loading of the binary load/dump program into memory. When BOOT is pressed, the RUN indicator lights. Refer to the program execution portion of this section for bootstrap program loading procedures.





V77-2127  
Figure 3-1. V74 Control Panel

### 3.1.5 Register-Entry Switches and Register-Display Indicators

The top row of control-panel lights comprises the 16 register-display indicators. They display the contents of the display register. This register, located on the control-panel circuit board, can be loaded from the register-entry switches on the control panel just below the 16 indicators. In addition, 16-bit data words can be loaded into the display register under control of the DISPLAY SELECT and REG SELECT switches (sections 3.1.7 and 3.1.9), allowing visual inspection of the contents of various registers and memory addresses.

Any of the sixteen bits can be set by pressing the corresponding register-entry switch. With a bit set, the corresponding display indicator lights. Pressing a register-entry switch for a bit already set has no effect. Bits can be reset only to zero by pressing the DISPL CLR switch (section 3.1.6).

For negative data, the sign bit (bit 15) is set (one).

#### 3.1.6 DISPL CLR Switch

The contents of the display register can be cleared (reset to zero) by pressing the DISPL CLR switch. This turns off all sixteen display indicators.

### 3.1.7 DISPLAY SELECT Switches and Indicators

The five DISPLAY SELECT switches are used to select one of several registers for displaying its contents on the register display indicators and altering them from the register-entry switches. Pressing any DISPLAY SELECT switch cancels any previous selection, turns off the indicators for the previous selection, and lights the indicators for the new selection. Pressing DISPL CLEAR (section 3.1.6) clears the display register and turns off the display indicators.

#### 3.1.7.1 MEM Switch

The MEM switch selects the memory for data entry or display. For entering data into memory and displaying the contents of memory refer to the manual operations (section 3.2).

#### 3.1.7.2 STATUS Switch

The STATUS switch displays the status of various signals from the processor. To display the status of these processor signals:

- a. Turn the POWER switch ON.

- b. Place the computer in the step mode.

- c. Press STATUS.

The register-display indicators now indicate the following:

- Bit 15, Key register bit 15 (DCK15 +)
- Bit 14, Key register bit 14 (DCK14 +)
- Bit 13, Key register bit 13 (DCK13 +)
- Bit 12, Key register bit 12 (DCK12 +)
- Bit 11, Arithmetic and logic unit carry (DCNDC +)
- Bit 10, Arithmetic and logic unit sign (DSGN +)
- Bit 9, Arithmetic and logic unit output equals all ones (DEQ +)
- Bit 8, Arithmetic and logic unit overflow (DOVF +)
- Bit 7, Shift counter output bit 4 (DSC04 +)
- Bit 6, Shift counter output bit 3 (DSC03 +)
- Bit 5, Shift counter output bit 2 (DSC02 +)
- Bit 4, Shift counter output bit 1 (DSC01 +)
- Bit 3, Shift counter output bit 0 (DSC00 +)
- Bit 2, Arithmetic and logic unit output zero (DCNOZ +)
- Bit 1, Supervisor mode (CESK +)
- Bit 0, Not used

#### 3.1.7.3 I Switch

The I switch selects the instruction (I) register for data display or entry. Pressing the I switch while the RUN indicator is off or blinking (step mode or halted) displays the contents of the instruction register on the register-display indicators. Changing the contents of the display register, by pressing the DISPLAY CLR switch and the register entry switches, automatically changes the contents of the instruction register. The instruction register contains the instruction to be executed next.

#### 3.1.7.4 P Switch

The P switch selects the program (P) counter for data display or entry. Pressing the P switch while the RUN indicator is off or blinking (step mode or halted) displays the contents of the program counter on the register-display indicators. Changing the contents of the display register, by pressing the DISPLAY CLR and register-entry switches, automatically changes the contents of the program counter. The program counter contains the address of the next instruction to be fetched.

## OPERATION

### 3.1.7.5 REG Switch

The REG switch enables one of the registers designated by the REG SELECT switches (section 3.1.9) to be selected for data display or entry.

### 3.1.8 DISPL and ENTER Switches

The DISPL switch is used with the MEM switch (section 3.1.7.1) for displaying memory data on the register-display indicators.

The ENTER switch is used with the MEM switch to load data into memory from the register-entry switches.

The procedures for displaying memory data and entering data into memory are described under manual operations (section 3.2).

### 3.1.9 REG SELECT Switches and Indicators

When the REG switch (section 3.1.7.5) is pressed, any desired general-purpose register can be selected for displaying its contents on the register-display indicators or altering its contents from the register-entry switches. The register selection is accomplished by entering a binary code using the four REG SELECT switches designated 8, 4, 2, 1. A one bit is produced by pressing the appropriate REG SELECT switch; a zero bit is produced by not pressing the switch. A one bit causes the corresponding indicator to light. Table 3-1 lists the binary codes for specific registers used with the basic instruction set. Table 3-2 lists the binary codes for specific registers used with the extended instruction set. When the binary code has been entered, the register-display indicators automatically display the contents of the selected register. Changing the contents of the display register, using the DISPLAY CLR and register-entry switches (sections 3.1.5 and 3.1.6), automatically changes the contents of the selected register.

**Table 3-1.**  
**Register Selection Codes for Basic Instruction Set**

| REG SELECT Switches | Selected Register |
|---------------------|-------------------|
| 8 4 2 1             |                   |
| 0 0 0 0             | A                 |
| 0 0 0 1             | B                 |
| 0 0 1 0             | X                 |
| 0 0 1 1*            |                   |
| 0 1 0 0*            |                   |
| 0 1 0 1*            |                   |
| 0 1 1 0*            |                   |
| 0 1 1 1*            |                   |
| 1 0 0 0*            |                   |

continued

| REG SELECT Switches | Selected Register |
|---------------------|-------------------|
| 1 0 0 1*            |                   |
| 1 0 1 0*            |                   |
| 1 0 1 1*            |                   |
| 1 1 0 0*            |                   |
| 1 1 0 1*            |                   |
| 1 1 1 0*            |                   |
| 1 1 1 1*            |                   |

\* These codes select registers that are not used for programming with the instruction set of a V70 system. They are available for WCS microprogramming use. With two exceptions, the contents of these registers can be displayed and altered using the control panel. However, such alteration should be done only for maintenance purposes or special applications. The register selected with 0100 always contains the contents of the instruction register. The registers selected with 0011 and 0101 always contain all zeros and all ones, respectively; the contents of these two registers cannot be altered from the control panel.

**Table 3-2.**  
**Register Selection Codes for Extended Instruction Set**

| REG SELECT Switches | Selected Register |
|---------------------|-------------------|
| 8 4 2 1             |                   |
| 0 0 0 0             | R0                |
| 0 0 0 1             | R1                |
| 0 0 1 0             | R2                |
| 0 0 1 1             | R3                |
| 0 1 0 0             | R4                |
| 0 1 0 1             | R5                |
| 0 1 1 0             | R6                |
| 0 1 1 1             | R7                |
| 1 0 0 0*            |                   |
| 1 0 0 1*            |                   |
| 1 0 1 0*            |                   |
| 1 0 1 1*            |                   |
| 1 1 0 0*            |                   |
| 1 1 0 1*            |                   |
| 1 1 1 0*            |                   |
| 1 1 1 1*            |                   |

\*These codes select registers that are used for WCS microprogramming. With two exceptions, the contents of these registers can be displayed and altered using the control panel; however, alteration from the control panel should be done only for maintenance purposes or special applications. The register selected with the binary code of 1000 always contains the contents of the instruction register. The registers selected with binary codes of 1011 and 1100 always contain all zeros and all ones, respectively; the contents of these two registers can not be altered from the control panel.

### 3.1.10 CLEAR and INCR Switches

The binary code for a selected register (section 3.1.9) is cleared (set to zero) by pressing the CLEAR switch. Each time the INCR switch is pressed, the binary code for a selected register is incremented by one, selecting the subsequent register.

### 3.1.11 INT Switch

The INT switch is used to interrupt the computer and is functional only in the run mode (RUN indicator on). Pressing the INT switch interrupts to memory address zero.

### 3.1.12 RESET Switch

Pressing the RESET switch:

- a. Halts the computer
- b. Stops I/O operation
- c. Initializes both the computer and its peripheral devices
- d. Leaves the computer in step mode
- e. If the computer was in run mode, turn the RUN indicator off and the STEP indicator on.
- f. Resets the overflow indicator (bit-8 register-display indicator with STATUS switch pressed, section 3.1.7.2).

### 3.1.13 SENSE Switches and Indicators

The three alternate-action SENSE switches permit the execution of predetermined program branching by the operator. When the program contains jump, jump-and-mark, or execution instructions that depend upon the setting of the SENSE switches, the jumps and executions occur only if the switch conditions are met.

Pressing a SENSE switch sets it and causes its associated indicator to light. Pressing the same switch again resets it, causing its indicator to go out.

For example, a program can be written so that the operator can obtain a partial total of a column of figures being added by use of the JSS1 (jump if SENSE switch 1 is set) instruction. The program writes individual entries as long as SENSE switch 1 is not set. When the operator wants a partial total, he sets the switch. The program then jumps to an instruction sequence that prints the desired information.

### 3.1.14 BOOT SELECT Switch

The BOOT SELECT switch is inoperative on computer systems that have the new register-selectable automatic bootstrap programs.

The BOOT SELECT switch is a key-operated switch available on some models to select one of the three automatic

bootstrap programs. After the selection is made, the bootstrap program is automatically loaded into memory by pressing the BOOT switch (section 3.1.4).

BOOT SELECT switch positions with corresponding automatic bootstrap programs are listed below:

- Position 1 Teletype
- Position 2 High-speed paper tape reader
- Position 3 Disc memory

## 3.2 MANUAL OPERATIONS

Using the control-panel switches and indicators (section 3.1), data or instructions can be transferred manually to or from memory or a selected register, and stored programs can be executed manually.

Manual execution of a stored program is discussed in section 3.3.

### 3.2.1 Displaying Register Contents

To display the contents of the instruction register:

- a. Place the computer in step mode /
- b. Press I

To display the contents of the program counter:

- a. Place the computer in step mode
- b. Press P

To display the contents of a general-purpose register:

- a. Place the computer in the step mode
- b. Press REG
- c. Using the four REG SELECT switches, enter the appropriate binary code (see tables 3-1 or 3-2)

### 3.2.2 Displaying Memory Contents

To display the contents of a memory address:

- a. Place the computer in step mode
- b. Press P
- c. Using the DISPL CLR and register entry switches, enter the desired memory address in the program counter
- d. Press MEM
- e. Press DISPL switch. The contents of the selected memory address are now displayed on the register-display indicators. The program counter is automatically incremented.
- f. Repeated actuation of the DISPL switch displays the contents of consecutive memory addresses

## OPERATION

### 3.2.3 Displaying Overflow Status

To display the overflow status:

- a. Place the computer in step mode
- b. Press STATUS
- c. If register-display bit 8 is on, there is overflow.

### 3.2.4 Entering Data in Memory

To enter data in memory:

- a. Place the computer in step mode
- b. Press P
- c. Using the DISPL CLR and register-entry switches, enter the memory address in the program counter.
- d. Press MEM
- e. Using the DISPL CLR and register entry switches, enter the data in the display register.
- f. Press ENTER to load the data in the previously addressed memory location. The program counter is automatically incremented.
- g. Repeat steps e and f to enter data in consecutive memory addresses.

### 3.2.5 Entering Data in a Register

To enter data or instructions in a register:

- a. Display the contents of the selected register as described in section 3.2.1.
- b. Using the DISPLAY CLR and register-entry switches, enter the desired data or instruction in the selected register.

## 3.3 PROGRAM EXECUTION

To make a cold start (i.e., when a new system is being initialized or the contents of memory are unknown):

- a. Turn the power on
- b. Load the bootstrap program
- c. Load the binary load/dump program
- d. Load the object program

Instructions for steps a and b are provided below. Loading the binary load/dump and object programs is discussed in the Binary Load/Dump Program section of the applicable system handbook, with manual execution of a stored program explained below in section 3.3.3.

### 3.3.1 Power On

Turn on computer power by placing the POWER switch to ON. When power is first turned on, the following conditions apply:

- a. Step mode (STEP indicator on)
- b. Sense switches not set (SENSE indicators off)
- c. Display register cleared (register display indicators off)
- d. P switch on (P indicator on)
- e. REG SELECT switches off (REG SELECT indicators off)

When power is removed and reapplied without actuation of the POWER switch (by loss and recovery of the ac line voltage), the same conditions apply, except the computer will be in the run mode (RUN indicator on) instead of the step mode.

### 3.3.2 Loading the Bootstrap Program

The bootstrap program permits loadable programs to be loaded into main memory from a peripheral device. It is a program contained in a programmable read only memory (PROM) located in the processor. The operator can select a bootstrap program for one of three types of peripheral devices: Teletype paper tape reader, high-speed paper tape reader, or disc memory. The disc version of the bootstrap loader is primarily used for automatic program loading in a VORTEX operating system. The paper tape versions are primarily used for the automatic loading of the binary load/dump program which is required for certain stand-alone programs contained on paper tape. Refer to the V70 Utility Programs Manual for a description of the binary load/dump program. Loading procedures for specific V70 software (VORTEX, FORTRAN IV, V70 Assembler, etc.), are described in corresponding V70 software manuals.

The desired bootstrap program is selected by loading the appropriate bootstrap selection code into register R0 (A register). The selection codes are:

|                                 |        |
|---------------------------------|--------|
| a. Teletype paper tape reader   | 000000 |
| b. High-speed paper tape reader | 000001 |
| c. Disc memory system           | 000002 |

Before the bootstrap program is loaded, the binary load/dump tape (if paper tape input is being used) should be inserted into the paper tape reader with the first binary frame at the reading station.

Addresses and instruction codes (octal) for the automatic bootstrap programs are listed in tables 3-3 and 3-4.

To load the automatic bootstrap program:

- a. With the POWER switch in the ON position, place the computer in the step mode (STEP indicator on).

- b. Press REG.
- c. Using the four REG SELECT switches, enter the binary code for register R0 (0000).
- d. Using the DISPL CLR and register-entry switches, enter the desired bootstrap selection code into register R0.
- e. Place the computer in the run mode by pressing the STEP/RUN switch (RUN indicator blinking).
- f. Press BOOT (RUN indicator is now on). This loads the bootstrap program and object program into main memory.

The following procedure is for the user who wishes to load his own bootstrap program manually:

- a. With the POWER switch in the ON position, place the computer in step mode (STEP indicator on)
- b. Press P
- c. Using the DISPL CLR and register entry switches, enter the starting memory address of the bootstrap program in the program counter
- d. Press MEM
- e. Using the DISPL CLR and register entry switches, enter the appropriate code of the next instruction in the console register
- f. Press ENTER to load instruction code into the memory address specified by the program counter. The program counter is incremented automatically.
- g. Repeat steps e and f for each of the remaining bootstrap instructions

**Table 3-3.**

**Automatic Bootstrap Programs for High-Speed and Teletype Readers**

| Address | Instruction Code | Symbolic Coding  |
|---------|------------------|------------------|
| 000200  | 102637* (102601) | READ CIB RDR     |
| 000201  | 004011           | ASLB NBIT        |
| 000202  | 004041           | LRLB 1           |
| 000203  | 004446           | LLRL 6           |
| 000204  | 001020           | JBZ SEL          |
| 000205  | 000214           | (Memory address) |
| 000206  | 055000           | STA 0,1          |
| 000207  | 001010           | JAZ LHLT + 1     |

| Address | Instruction Code | Symbolic Coding   |
|---------|------------------|-------------------|
| 000200  | 007000           | (Memory address)  |
| 000211  | 0005144          | IXR               |
| 000212  | 0005101          | ENTR INCR 1       |
| 000213  | 100537* (102601) | SEL RDON          |
| 000214  | 101537* (101201) | SEL EXC IBFR,READ |
| 000215  | 000200           | (Memory address)  |
| 000216  | 001000           | JMP *2            |
| 000217  | 000214           | (Memory address)  |

\*When using the Teletype reader, replace this code with the one in parentheses.

**Table 3-4.**  
**Automatic Bootstrap Program for Disc Memory**

| Address | Instruction Code |
|---------|------------------|
| 001130  | 100416           |
| 001131  | 104016           |
| 001132  | 100216           |
| 001133  | 005001           |
| 001134  | 103116           |
| 001135  | 101016           |
| 001136  | 001141           |
| 001137  | 001000           |
| 001140  | 001135           |
| 001141  | 102516           |
| 001142  | 151167           |
| 001143  | 100021           |
| 001144  | 001130           |
| 001145  | 100021           |
| 001146  | 100316           |
| 001147  | 005102           |
| 001150  | 103216           |
| 001151  | 103120           |
| 001152  | 006010           |
| 001153  | 001130           |
| 001154  | 103121           |
| 001155  | 100020           |
| 001156  | 100016           |
| 001157  | 101416           |
| 001160  | 001157           |
| 001161  | 102516           |
| 001162  | 151167           |
| 001163  | 001016           |
| 001164  | 001130           |
| 001165  | 001000           |
| 001166  | 000600           |
| 001167  | 007760           |

**Table 3-5.  
Manual Bootstrap Programs**

| Address | High-Speed Reader | Teletype Reader Code | Symbolic Coding   |
|---------|-------------------|----------------------|-------------------|
| 007756  | 102637            | 102601               | READ CIB RDR      |
| 007757  | 004011            | 004011               | ASLB NBIT - 7     |
| 007760  | 004041            | 004041               | LRLB 1            |
| 007761  | 004446            | 004446               | LLRL 6            |
| 007762  | 001020            | 001020               | JBZ SEL           |
| 007763  | 007772            | 007772               | (Memory address)  |
| 007764  | 055000            | 055000               | STA 0,1           |
| 007765  | 001010            | 001010               | JAZ LHLT + 1      |
| 007766  | 007000(a)         | 007000(a)            | (Memory address)  |
| 007767  | 005144            | 005144               | IXR               |
| 007770  | 005101            | 005101               | ENTR INCR 1       |
| 007771  | 100537            | 102601               | SEL RDON          |
| 007772  | 101537            | 101201               | SEL EXC IBFR,READ |
| 007773  | 007756            | 007756               | (Memory address)  |
| 007774  | 001000            | 001000               | JMP *.2           |
| 007775  | 007772            | 007772               | (Memory address)  |

**NOTE**

The bootstrap loader routine is always loaded into the highest address of the first 4K memory increment, regardless of available memory. BLD II relocation and adaptation to the specified input device are described in the Binary Load/Dump Program section of the applicable system handbook.

(a) Replace this code with 007600 if the test executive of MAINTAIN III (document 98 A 9952 07x) is to be loaded and executed.

### 3.3.3 Executing a Stored Program

To execute a stored program manually:

- a. Place the computer in step
- b. Press P
- c. Using the DISPL CLR and register entry switches, enter the address of the first program instruction in the program counter
- d. Press I
- e. Press DISPL CLR to clear the instruction register
- f. Press START. This loads the instruction specified by the program counter into the instruction register
- g. Press START again. This executes the instruction and loads the next program instruction into the instruction register
- h. Repeat step g for each instruction in the program

To execute a stored program automatically: perform steps a through e above, place the computer in the run mode by pressing the RUN/STEP switch, and press START.

## SECTION 4 THEORY OF OPERATION

### 4.1 GENERAL

This section describes the circuit operations of the processor board, I/O control portion of the option board, and control-panel board. Furthermore, the control-store word format and addressing are also described. For the most part, the circuit descriptions are written to functional block diagrams that accompany the text. In some cases, however, the reader may wish to refer to the appropriate logic diagram in the System Maintenance Manual. Logic diagram part numbers are:

- a. Processor board, 91B0378
- b. Option board, 91B0401
- c. Control-panel board, 91B0406

For ease of reading, some mnemonics are written with the variable *n* in place of the actual bit numbers. For example, ALU data mnemonics DAL00+ through DAL15+ are written DAL*n*+(0-15). Mnemonic conventions and definitions are provided in section 6.

### 4.2 FUNCTIONAL DESCRIPTION

As illustrated in figure 4-1, the major functional sections of the processor are central control, data loop, memory control, I/O data loop, and I/O control. Except for the I/O control, which is located on the option board, these sections are on the processor board. Communication

between the processor and the control panel is via the I/O bus. The processor bus structure is illustrated in figure 4-2. A brief description of the five major sections is provided in the following subsections.

#### 4.2.1 Central Control

The central control is the heart of the processor. It contains the instruction register, control store, control store buffer, and control sequencing logic. The following functions are performed by the central control:

- a. Initiates memory operations
- b. Initiates I/O operations
- c. Decodes instructions
- d. Controls data transfers and manipulations
- e. Tests internal data loop conditions
- f. Responds to interrupts

The 16-bit instruction register receives instructions from an instruction buffer which is then free to accept new instructions. This double buffering of instructions provides a pipelining technique that allows the next instruction to be fetched during an otherwise unused memory cycle. The output of the instruction register can then be routed to the arithmetic and logic unit (ALU) or further decoding may be performed.

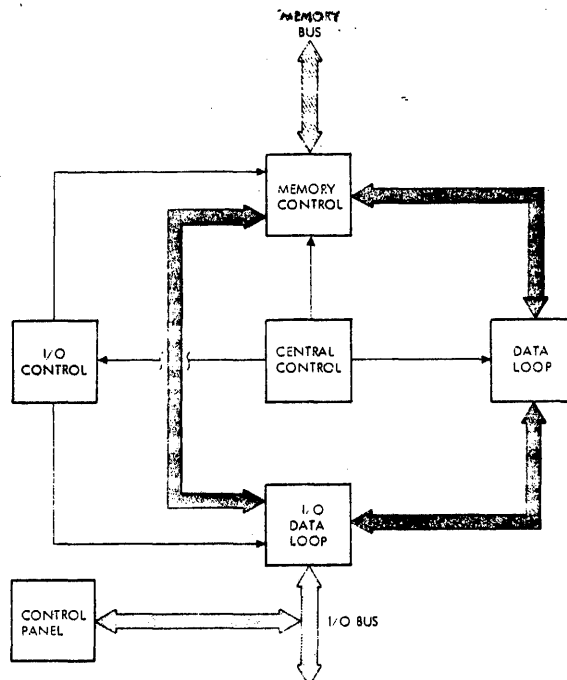


Figure 4-1. Processor Functional Block Diagram



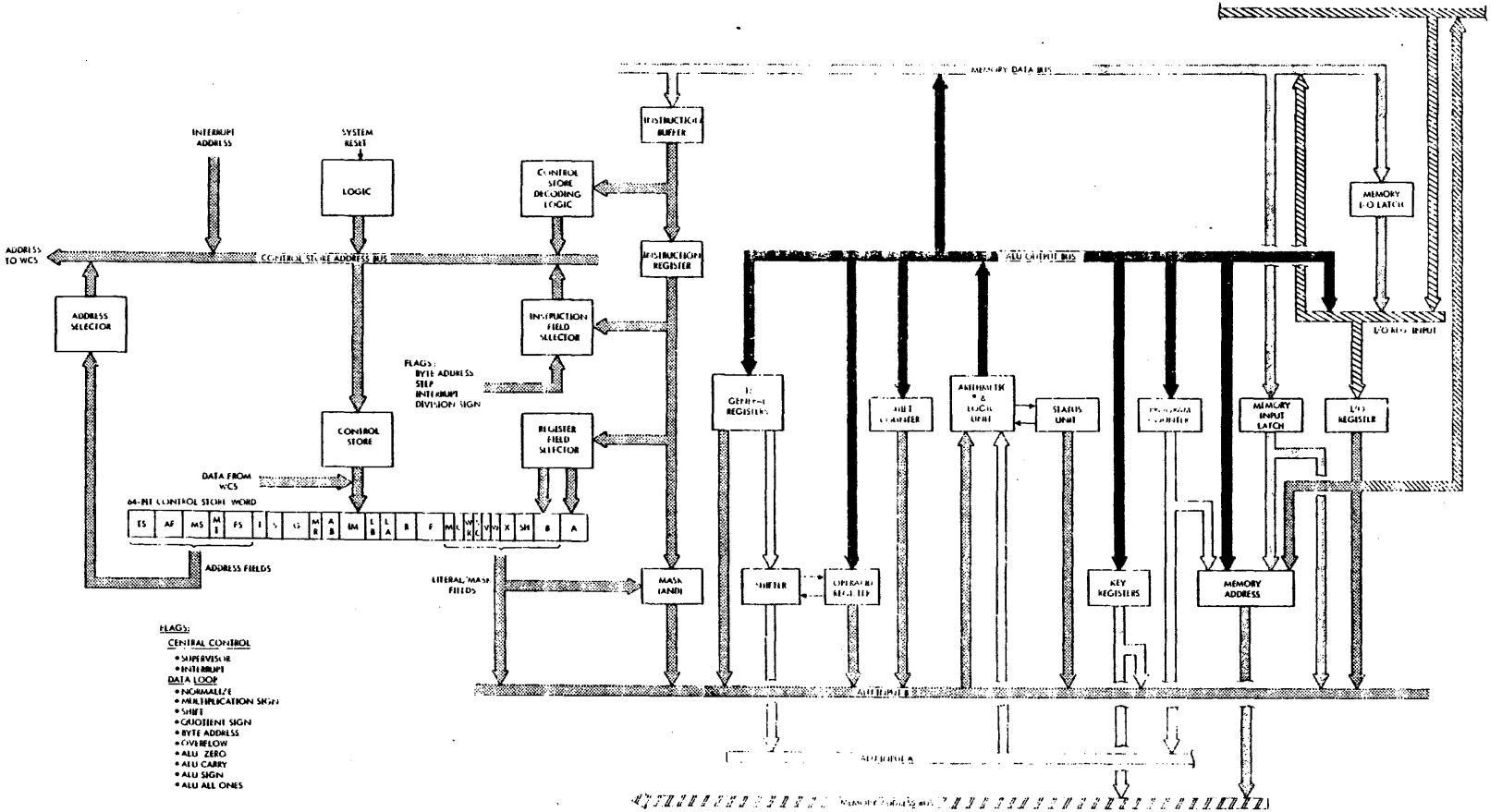


Figure 4-2. Processor Bus Structure

### 4.2.2 Data Loop

The data loop provides data transfer paths, data manipulation circuits, storage registers, and counters (figure 4-2). The data loop performs the following functions:

- a. Selects both of the ALU inputs from the following sources:
  1. 16 general purpose registers
  2. Operand register
  3. Memory input latch, in memory control section
  4. I/O register, in I/O data loop section
  5. Status word (signals displayed by control-panel STATUS switch)
  6. Instruction register (masked), in central control section
  7. Program counter
  8. Control store literal which consists of a 16-bit mask field from the control store buffer.
- b. Performs arithmetical and logical operations on the ALU inputs.
- c. Performs single and double length, bidirectional, open or closed, arithmetical or logical shifts in accordance with the contents of the shift counter.
- d. Stores and selects the desired test conditions such as ALU output zero, overflow, carry, SENSE switches, etc.

The ALU performs arithmetic and logical functions under control of the control store buffer. The ALU output is applied to the memory control and I/O data loop sections.

### 4.2.3 Memory Control

The memory control performs tasks initiated by the central control, I/O control, or options (on option board). It acknowledges acceptance of these tasks to the requesting section and signals completion. Once a request is accepted, no further requests are acknowledged (one exception to this rule permits the central control to override a previous request before it has been completed). Priority memory access (PMA) requests have a higher priority than I/O requests, and I/O requests have a higher priority than central control requests.

The following functions are performed by the memory control:

- a. Accepts tasks from central control and stores the following information to complete the task:
  1. Read/write
  2. Word/byte
  3. Address source
- b. Accepts tasks from options
- c. Accepts tasks from I/O control
- d. Acknowledges receipt of tasks

- e. Resolves priority of simultaneous requests
- f. Defers requests if higher priority devices, such as PMA, request use of the memory bus.
- g. Provides asynchronous operation and drivers/receivers for the memory bus.
- h. Signals completion of scheduled task.

Since the memory control operates asynchronously, the central control is free to perform other non-memory operations while the scheduled task is being executed. The memory control's ability to accept tasks from the I/O control permits direct memory access (DMA) operations to cycle steal without interfering with non-memory operations in the remainder of the processor.

### 4.2.4 I/O Data Loop

The I/O data loop (see figure 4-2 for I/O data paths) contains a multiplexor, I/O register, and drivers and receivers. Three sources of data are applied to the I/O data loop: data from the I/O bus, data from the ALU, and data from the memory I/O latch. The input data is selected by the I/O multiplexor under control of I/O control signals and transferred onto the bidirectional I/O bus.

In-addition to being applied to the I/O drivers, the output of the I/O register is applied to the data loop and memory control sections.

### 4.2.5 I/O Control

The I/O control operates under control of an independent I/O control store and performs I/O operations initiated either by the central control or peripheral device activity. This permits I/O operations to proceed with minimum impact on other internal processor functions. The I/O control performs the following functions:

- a. Programmed I/O initiated by the central control.
- b. DMA trap-in/trap-out operations (up to 372,900 words per second, with semiconductor memory).
- c. High-speed DMA trap-in/trap-out operations (up to 969,600 words per second, with semiconductor memory).
- d. I/O interrupts

## 4.3 CENTRAL CONTROL CIRCUITS

This section describes the hardware circuits of the central control. To understand the functions of the central control, one must also become familiar with the microprogramming

## THEORY OF OPERATION

operations (firmware). Listed below are sections of this manual containing microprogramming information:

- a. Control-Store Word Format (section 4.8)
- b. Control-Store Addressing (section 4.9)
- c. Microprogramming Examples (section 4.11)

Other microprogramming documents to be used in conjunction with this manual are:

- a. The Microprogramming Guide (98 A 9906 07x) describes capabilities, techniques, and coding of microprogramming.
- b. The Micro-Word Flowcharts (98A0887) are contained in the System Maintenance Manual.

The circuits of the central control are shown in the block diagram of figure 4-3. Page numbers of the processor logic diagrams are provided in parentheses for each circuit block.

### 4.3.1 Instruction Register

The 16-bit instruction register receives instructions  $M1:n+(0-15)$  from the instruction buffer (in the memory control section) which is then free to accept new instructions. This double buffering of instructions provides a pipelining technique that allows the next instruction to be fetched during an otherwise unused memory cycle. Refer to section 3 of Microprogramming Guide for further information on the instruction pipeline.

Data is clocked into the instruction register by clock signals that result from gating the full clock  $KKC2+$  with  $CTEQ0+$

and  $CBG0+$ . The register clocks occur whenever the control-store buffer T field contains 00 ( $CTEQ0+$  is high) and the G field bit 0 is true ( $CBG0+$  is high). The register generates instructions  $C2In(0-15)$  in both true and complement form.

### 4.3.2 Instruction Field Selector

The instruction field selector consists of ten 8-input multiplexors which can select a field of up to five bits from the instruction register to form the low order bits of the control store address. This is accomplished by using the FS field of the control store buffer  $CBFSn+(0-3)$  to specify which of 16 possible fields are to be extracted and applied to the control store address lines  $CEADn-(0-8)$ . Since there are not enough bits in the 16 bit instruction register to provide 16 5-bit fields, the remaining bits (multiplexor inputs) are either grounded to provide a source of logical ones to the control-store address or connected to various processor flags for conditional branching. All outputs from the instruction field selector are masked by bits in the MS and MT fields of the control store buffer, thus providing a generalized method for generating addresses. That is, addresses may be formed which either depend on the contents of the instruction register or may be arbitrarily specified by selecting a field position containing logical ones and then masking off the desired logical zero bits using the MS and MT fields.

Bits 0, 1, and 2 of the FS field select one input of each multiplexor. The bit-3 active low and high signals of the FS field ( $CBFS3-$  and  $CBFS3+$ ) enable the five A multiplexors  $CFSAn+(0-4)$  or the five B multiplexors  $CFSBn+(0-4)$ . The multiplexor truth table is shown in table 4-1.

**Table 4-1. Instruction Multiplexor Truth Table (IC Type SN74151)**

| CBFSn+<br>(2-0) |   |   | CBFS3±   | INPUT DATA                  |   |   |   |   |   |   |   | OUTPUT<br>CFSxn+ |   |
|-----------------|---|---|----------|-----------------------------|---|---|---|---|---|---|---|------------------|---|
| PINS<br>9 10 11 |   |   | PIN<br>7 | PINS<br>4 3 2 1 15 14 13 12 |   |   |   |   |   |   |   | PIN<br>6         |   |
|                 |   |   | H        |                             |   |   |   |   |   |   |   |                  | H |
| L               | L | L | L        | L                           |   |   |   |   |   |   |   |                  | H |
| L               | L | L | L        | H                           |   |   |   |   |   |   |   |                  | L |
| L               | L | H | L        |                             | L |   |   |   |   |   |   |                  | H |
| L               | L | H | L        |                             |   | H |   |   |   |   |   |                  | L |
| L               | H | L | L        |                             |   |   | L |   |   |   |   |                  | H |
| L               | H | L | L        |                             |   |   |   | H |   |   |   |                  | L |
| L               | H | H | L        |                             |   |   |   |   | L |   |   |                  | H |
| L               | H | H | L        |                             |   |   |   |   |   | H |   |                  | L |
| H               | L | L | L        |                             |   |   |   |   |   |   | L |                  | H |
| H               | L | L | L        |                             |   |   |   |   |   |   |   | H                | L |
| H               | L | H | L        |                             |   |   |   |   |   |   | L |                  | H |
| H               | L | H | L        |                             |   |   |   |   |   |   |   | H                | L |
| H               | H | L | L        |                             |   |   |   |   |   |   |   | L                | H |
| H               | H | L | L        |                             |   |   |   |   |   |   |   | H                | L |
| H               | H | H | L        |                             |   |   |   |   |   |   |   | L                | H |
| H               | H | H | L        |                             |   |   |   |   |   |   |   | H                | L |

NOTE: 1. H = HIGH, L = LOW, AND NO H OR L = IRRELEVANT INPUT.  
2. THE FIVE A MULTIPLEXORS  $CFSAn+(0-4)$  ARE ENABLED WITH A LOW  $CBFS3-$ , AND THE FIVE B MULTIPLEXORS  $CFSBn+(0-4)$  WITH A LOW  $CBFS3+$ .

VT11-1601A

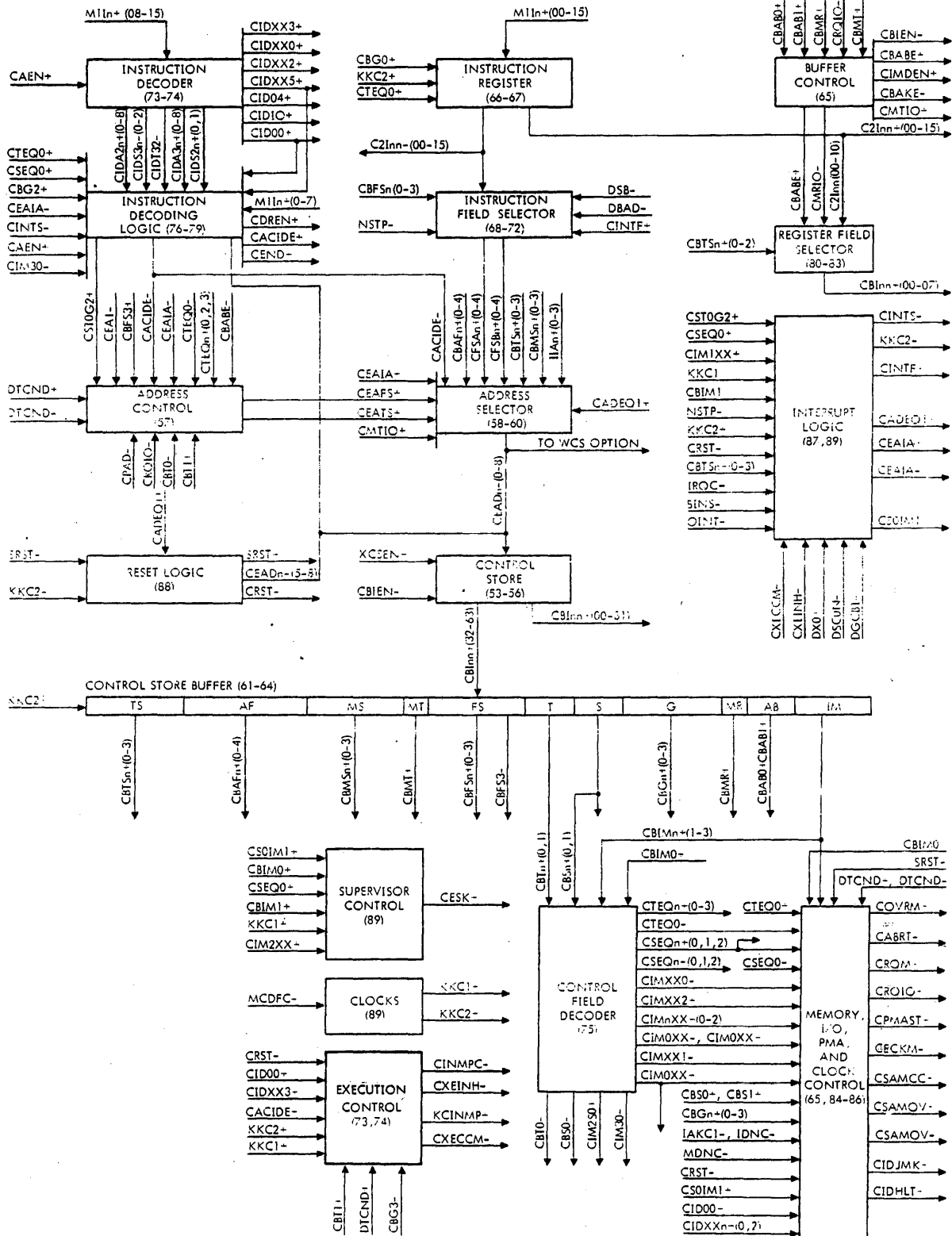


Figure 4-3. Central Control Block Diagram

## THEORY OF OPERATION

### 4.3.3 Instruction Decoder

The instruction decoder provides preliminary decoding of the two most-significant 4-bit fields of the instruction buffer  $M1In + (8-15)$ . Decoding is accomplished with PROMs (programmable read only memories) that are programmed for optimum performance. As illustrated in

figure 4-4, the PROMs are divided into two sections, A2 and A3. The A2 PROM decodes  $M1In + (8-11)$  and produces 9-bits of output data  $CIDA2n + (0-8)$  plus control signals. The A3 PROM decodes  $M1In + (12-15)$  and produces 9-bits of output data  $CIDA3n + (0-8)$  plus control signals. The two 9-bit data words are applied to the instruction decoding logic where they are combined with the least-significant 4-bit fields of the instruction buffer.

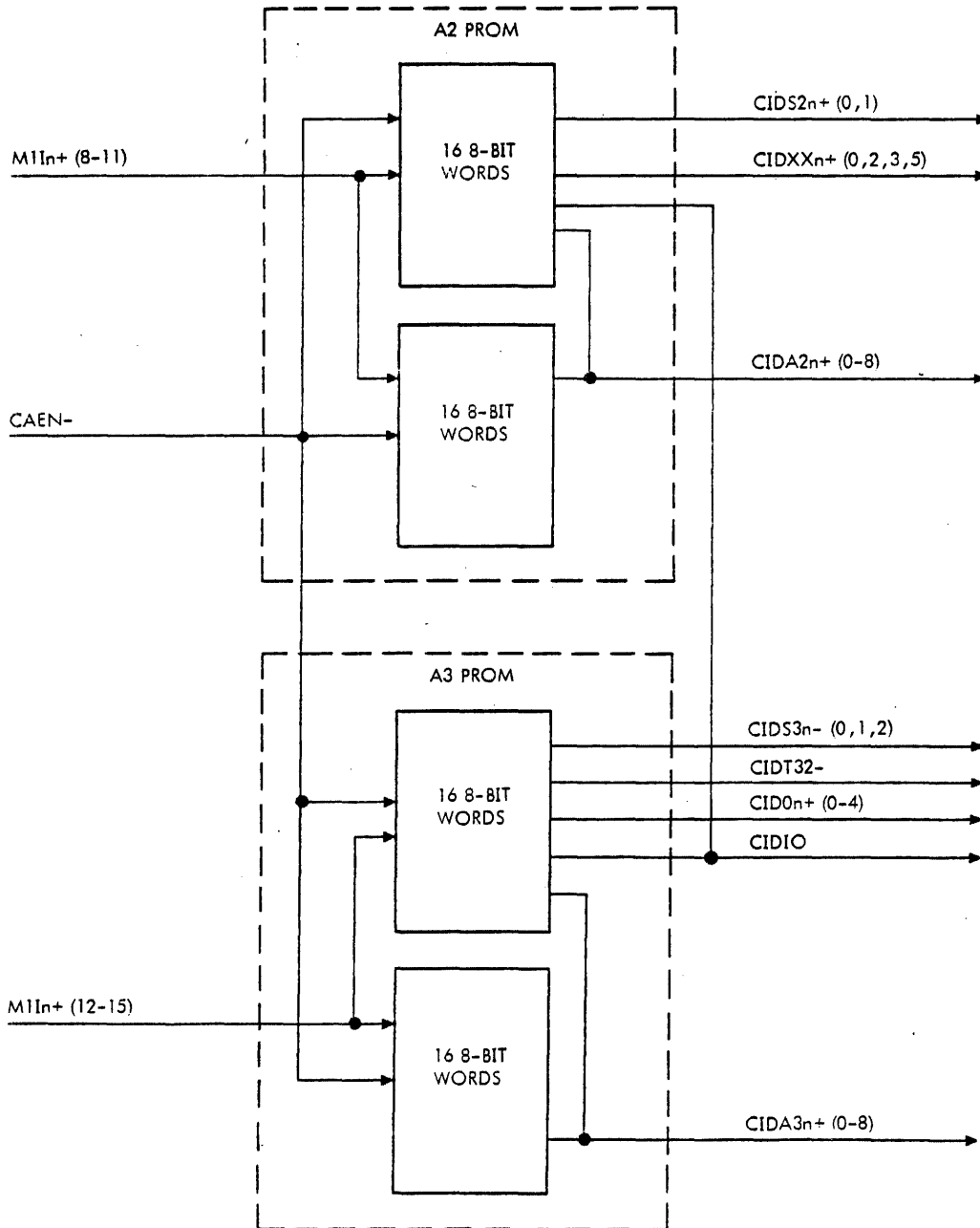


Figure 4-4. Instruction Decoder PROMs Block Diagram

A low CAEN<sup>-</sup> enables the ROMs. Decoded halt and jump-and-mark signals (CIDHLT<sup>+</sup> and CIDJMK<sup>+</sup>) are derived from ROM control signals CID00<sup>+</sup>, CIDXX0, and

CIDXX2<sup>+</sup>. Truth tables for the A2 and A3 ROMs are shown in tables 4-2 and 4-3.

**Table 4-2. A2 PROM Truth Table (for Computers with Register-Selectable Bootstrap Programs)**

**Table 4-2A. A2 PROM Truth Table (for Computers without Register-Selectable Bootstrap Programs)**

| INPUT BITS |    |   |   | OUTPUTS (CID...) |                  |                  |                  |                  |                  |                  |                  |                  |                  |                  |                  |                  |                  |                  |                  |   |
|------------|----|---|---|------------------|------------------|------------------|------------------|------------------|------------------|------------------|------------------|------------------|------------------|------------------|------------------|------------------|------------------|------------------|------------------|---|
| 11         | 10 | 9 | 8 | IO <sup>-</sup>  | S21 <sup>+</sup> | S20 <sup>+</sup> | XX3 <sup>+</sup> | XX0 <sup>+</sup> | XX2 <sup>+</sup> | XX5 <sup>+</sup> | A28 <sup>+</sup> | A27 <sup>+</sup> | A26 <sup>+</sup> | A25 <sup>+</sup> | A24 <sup>+</sup> | A23 <sup>+</sup> | A22 <sup>+</sup> | A21 <sup>+</sup> | A20 <sup>+</sup> |   |
| L          | L  | L | L | H                | L                | L                | L                | H                | L                | L                | L                | H                | L                | L                | L                | L                | H                | H                | H                | H |
| L          | L  | L | H | H                | L                | L                | L                | L                | L                | L                | L                | H                | L                | L                | L                | H                | H                | H                | L                | H |
| L          | L  | H | H | H                | L                | L                | L                | L                | L                | L                | L                | H                | L                | L                | L                | H                | H                | L                | L                | L |
| L          | H  | L | L | H                | L                | L                | L                | L                | L                | L                | L                | H                | L                | L                | L                | H                | H                | L                | L                | H |
| L          | H  | L | H | H                | L                | L                | L                | L                | L                | L                | L                | H                | L                | L                | L                | H                | H                | L                | L                | H |
| L          | H  | H | L | H                | L                | L                | L                | L                | L                | L                | L                | H                | L                | L                | L                | H                | H                | L                | L                | L |
| L          | H  | H | H | H                | L                | L                | L                | L                | L                | L                | L                | H                | L                | L                | L                | H                | H                | L                | L                | L |
| H          | L  | L | L | H                | L                | L                | L                | L                | L                | L                | L                | H                | L                | L                | L                | H                | H                | L                | L                | H |
| H          | L  | L | H | L                | L                | L                | L                | L                | L                | L                | L                | H                | L                | L                | L                | H                | H                | L                | L                | L |
| H          | L  | H | L | L                | L                | L                | L                | L                | L                | L                | L                | H                | L                | L                | L                | H                | H                | L                | L                | L |
| H          | L  | H | H | L                | L                | L                | L                | L                | L                | L                | L                | H                | L                | L                | L                | H                | H                | L                | L                | L |
| H          | H  | L | L | L                | L                | L                | L                | L                | L                | L                | L                | H                | L                | L                | L                | H                | H                | L                | L                | L |
| H          | H  | L | H | L                | L                | L                | L                | L                | L                | L                | L                | H                | L                | L                | L                | H                | H                | L                | L                | L |
| H          | H  | H | L | L                | L                | L                | L                | L                | L                | L                | L                | H                | L                | L                | L                | H                | H                | L                | L                | L |
| H          | H  | H | H | L                | L                | L                | L                | L                | L                | L                | L                | H                | L                | L                | L                | H                | H                | L                | L                | L |
| H          | H  | H | H | L                | L                | L                | L                | L                | L                | L                | L                | H                | L                | L                | L                | H                | H                | L                | L                | L |
| H          | H  | H | H | L                | L                | L                | L                | L                | L                | L                | L                | H                | L                | L                | L                | H                | H                | L                | L                | L |

NOTE: L = LOW, H = HIGH

VT11-1603A

| INPUT BITS |    |   |   | OUTPUTS (CID...) |                  |                  |                  |                  |                  |                  |                  |                  |                  |                  |                  |                  |                  |                  |                  |   |
|------------|----|---|---|------------------|------------------|------------------|------------------|------------------|------------------|------------------|------------------|------------------|------------------|------------------|------------------|------------------|------------------|------------------|------------------|---|
| 11         | 10 | 9 | 8 | IO <sup>-</sup>  | S21 <sup>+</sup> | S20 <sup>+</sup> | XX3 <sup>+</sup> | XX0 <sup>+</sup> | XX2 <sup>+</sup> | XX5 <sup>+</sup> | A28 <sup>+</sup> | A27 <sup>+</sup> | A26 <sup>+</sup> | A25 <sup>+</sup> | A24 <sup>+</sup> | A23 <sup>+</sup> | A22 <sup>+</sup> | A21 <sup>+</sup> | A20 <sup>+</sup> |   |
| L          | L  | L | L | L                | L                | L                | L                | H                | L                | L                | L                | H                | L                | L                | L                | L                | L                | L                | L                | L |
| L          | L  | L | H | L                | L                | L                | L                | L                | L                | L                | L                | H                | L                | L                | L                | L                | L                | L                | L                | L |
| L          | L  | H | H | L                | L                | L                | L                | L                | L                | L                | L                | H                | L                | L                | L                | L                | L                | L                | L                | L |
| L          | H  | L | L | L                | L                | L                | L                | L                | L                | L                | L                | H                | L                | L                | L                | L                | L                | L                | L                | L |
| L          | H  | L | H | L                | L                | L                | L                | L                | L                | L                | L                | H                | L                | L                | L                | L                | L                | L                | L                | L |
| L          | H  | H | L | L                | L                | L                | L                | L                | L                | L                | L                | H                | L                | L                | L                | L                | L                | L                | L                | L |
| L          | H  | H | H | L                | L                | L                | L                | L                | L                | L                | L                | H                | L                | L                | L                | L                | L                | L                | L                | L |
| H          | L  | L | L | L                | L                | L                | L                | L                | L                | L                | L                | H                | L                | L                | L                | L                | L                | L                | L                | L |
| H          | L  | L | H | L                | L                | L                | L                | L                | L                | L                | L                | H                | L                | L                | L                | L                | L                | L                | L                | L |
| H          | L  | H | L | L                | L                | L                | L                | L                | L                | L                | L                | H                | L                | L                | L                | L                | L                | L                | L                | L |
| H          | L  | H | H | L                | L                | L                | L                | L                | L                | L                | L                | H                | L                | L                | L                | L                | L                | L                | L                | L |
| H          | H  | L | L | L                | L                | L                | L                | L                | L                | L                | L                | H                | L                | L                | L                | L                | L                | L                | L                | L |
| H          | H  | L | H | L                | L                | L                | L                | L                | L                | L                | L                | H                | L                | L                | L                | L                | L                | L                | L                | L |
| H          | H  | L | H | H                | L                | L                | L                | L                | L                | L                | L                | H                | L                | L                | L                | L                | L                | L                | L                | L |
| H          | H  | H | L | L                | L                | L                | L                | L                | L                | L                | L                | H                | L                | L                | L                | L                | L                | L                | L                | L |
| H          | H  | H | H | L                | L                | L                | L                | L                | L                | L                | L                | H                | L                | L                | L                | L                | L                | L                | L                | L |
| H          | H  | H | H | L                | L                | L                | L                | L                | L                | L                | L                | H                | L                | L                | L                | L                | L                | L                | L                | L |

NOTE: L = LOW, H = HIGH

VT11-1603

**Table 4-3. A3 ROM Truth Table**

| INPUT BITS |    |    |    | OUTPUTS (CID...) |                  |                  |                  |                  |                  |                   |                  |                  |                  |                  |                  |                  |                  |                  |                  |   |
|------------|----|----|----|------------------|------------------|------------------|------------------|------------------|------------------|-------------------|------------------|------------------|------------------|------------------|------------------|------------------|------------------|------------------|------------------|---|
| 15         | 14 | 13 | 12 | S32 <sup>-</sup> | S31 <sup>-</sup> | S30 <sup>-</sup> | T32 <sup>-</sup> | D04 <sup>+</sup> | D00 <sup>+</sup> | D1/0 <sup>+</sup> | A38 <sup>+</sup> | A37 <sup>+</sup> | A36 <sup>+</sup> | A35 <sup>+</sup> | A34 <sup>+</sup> | A33 <sup>+</sup> | A32 <sup>+</sup> | A31 <sup>+</sup> | A30 <sup>+</sup> |   |
| L          | L  | L  | L  | L                | H                | H                | H                | L                | L                | L                 | L                | L                | L                | L                | L                | L                | L                | L                | L                | L |
| L          | L  | L  | H  | H                | H                | H                | L                | L                | L                | L                 | L                | L                | L                | L                | L                | L                | L                | L                | L                | L |
| L          | L  | H  | L  | H                | H                | H                | L                | L                | L                | L                 | L                | L                | L                | L                | L                | L                | L                | L                | L                | L |
| L          | L  | H  | H  | H                | H                | H                | L                | L                | L                | L                 | L                | L                | L                | L                | L                | L                | L                | L                | L                | L |
| L          | H  | L  | L  | H                | H                | H                | L                | L                | L                | L                 | L                | L                | L                | L                | L                | L                | L                | L                | L                | L |
| L          | H  | L  | H  | H                | H                | H                | L                | L                | L                | L                 | L                | L                | L                | L                | L                | L                | L                | L                | L                | L |
| L          | H  | H  | L  | H                | H                | H                | L                | L                | L                | L                 | L                | L                | L                | L                | L                | L                | L                | L                | L                | L |
| L          | H  | H  | H  | H                | H                | H                | L                | L                | L                | L                 | L                | L                | L                | L                | L                | L                | L                | L                | L                | L |
| H          | L  | L  | L  | H                | H                | H                | L                | L                | L                | L                 | L                | L                | L                | L                | L                | L                | L                | L                | L                | L |
| H          | L  | L  | H  | H                | H                | H                | L                | L                | L                | L                 | L                | L                | L                | L                | L                | L                | L                | L                | L                | L |
| H          | L  | H  | L  | H                | H                | H                | L                | L                | L                | L                 | L                | L                | L                | L                | L                | L                | L                | L                | L                | L |
| H          | L  | H  | H  | H                | H                | H                | L                | L                | L                | L                 | L                | L                | L                | L                | L                | L                | L                | L                | L                | L |
| H          | H  | L  | L  | H                | H                | H                | L                | L                | L                | L                 | L                | L                | L                | L                | L                | L                | L                | L                | L                | L |
| H          | H  | L  | H  | H                | H                | H                | L                | L                | L                | L                 | L                | L                | L                | L                | L                | L                | L                | L                | L                | L |
| H          | H  | H  | L  | H                | H                | H                | L                | L                | L                | L                 | L                | L                | L                | L                | L                | L                | L                | L                | L                | L |
| H          | H  | H  | H  | H                | H                | H                | L                | L                | L                | L                 | L                | L                | L                | L                | L                | L                | L                | L                | L                | L |
| H          | H  | H  | H  | H                | H                | H                | L                | L                | L                | L                 | L                | L                | L                | L                | L                | L                | L                | L                | L                | L |

NOTE: L = LOW, H = HIGH

VT11-1604

## THEORY OF OPERATION

### 4.3.4 Instruction Decoding Logic

The instruction decoding logic produces the 9-bit address for the control store  $CEADn-$  (0-8) by combining the two least significant 4-bit fields of the instruction buffer  $M1In+$  (0-7) and the two 9-bit outputs from the instruction decoder  $CIDA2n+$  (0-8) and  $CIDA3n+$  (0-8). This logic and the instruction decoder are completely general purpose, and can be used to optimize any instruction set's performance by changing the control store contents or by using a writable control store.

Formation of the decoded control-store address is accomplished with open-collector drivers. Section 4.9 provides a detailed description of control-store addressing. The block diagram in figure 4-5 shows the inputs and outputs for the driver circuits. The outputs are the control store address signals, and the inputs are data from the instruction buffer and instruction decoder plus enabling signals generated by the instruction decoding logic. The enabling signals are described as follows:

- $CACIDA+$  and  $CACIDB+$  enable decoded addresses to be applied to the control store, and are high except when inhibited by an interrupt ( $CDREN+$ ,  $CAEN+$ ,  $CEND+$  are high). A low  $CIM30-$  inhibits address decoding.
- $CILC2+$  transfers the  $CIDA2n+$  (4-8) signals to bit positions 4 through 8 of the control store address.  $CILC2+$  is controlled by signals generated within the instruction decoding logic.
- $CILC2X+$  transfers the  $CIDA2n+$  (0-3) signals to bit positions 0 through 3 of the control store address.  $CILC2X+$  is controlled by  $CID00+$ .
- $CILC0+$  transfers the  $M1In+$  (0-3) signals to bit positions 0 through 3 of the control store address.  $CILC0+$  is controlled by  $CIDS32-$ ,  $CIDS20+$ , and  $CIDS30-$ .
- $CILC1+$  transfers the  $M1In+$  (4-7) signals to bit positions 0 through 3 of the control store address.  $CILC1+$  is controlled by  $CIDS32-$ ,  $CIDS21+$ , and  $CIDS31-$ .

### 4.3.5 Address Control

The address control applies two enabling signals ( $CEAFS+$  and  $CEATS+$ ) to the address selector.

$CEAFS+$  is true (high) when one of the following conditions occur:

- The T field contains binary 10 ( $CBT1+$  high and  $CBT0-$  low) indicating a true condition is being tested, and the true condition is met ( $DTCND+$  is high).
- The T field contains 00 ( $CTEQ0+$  is high) indicating no conditional testing is being performed, the interrupt address is not enabled ( $CEAIA-$  is high), and the decoder address is not enabled ( $CACIDE-$  is high).
- The T field contains binary 11 ( $CTEQ3+$  is high) indicating that a false condition is being tested, and the false condition is met ( $DTCND-$  is high).

$CEATS+$  is true (high) when one of the following conditions occur:

- Conditional testing is being performed ( $CTEQ0-$  is high), and field selection is not enabled ( $CEA1-$  is high).
- No conditional testing is being performed ( $CTEQ0+$  is high), no register field selection ( $CBABE-$  is high), the TS field is not enabling interrupts ( $CSTOG2-$  is high), no I/O request ( $CRQIO-$  is high), and there is no page jump ( $CPAD-$  is high).

### 4.3.6 Address Selector

Under control of the address control circuits, the address selector selects the next control store address from one of the following sources:

- Instruction field selector.
- AF field of control store buffer.
- Alternate test address (TS field).
- Interrupts.
- RESET switch.

The control store address lines  $CEADn-$  (0-8) from the address selector are logically ORed with address lines from the instruction decoding logic and reset logic. The OR function is accomplished by driving the address lines with open-collector integrated circuits.

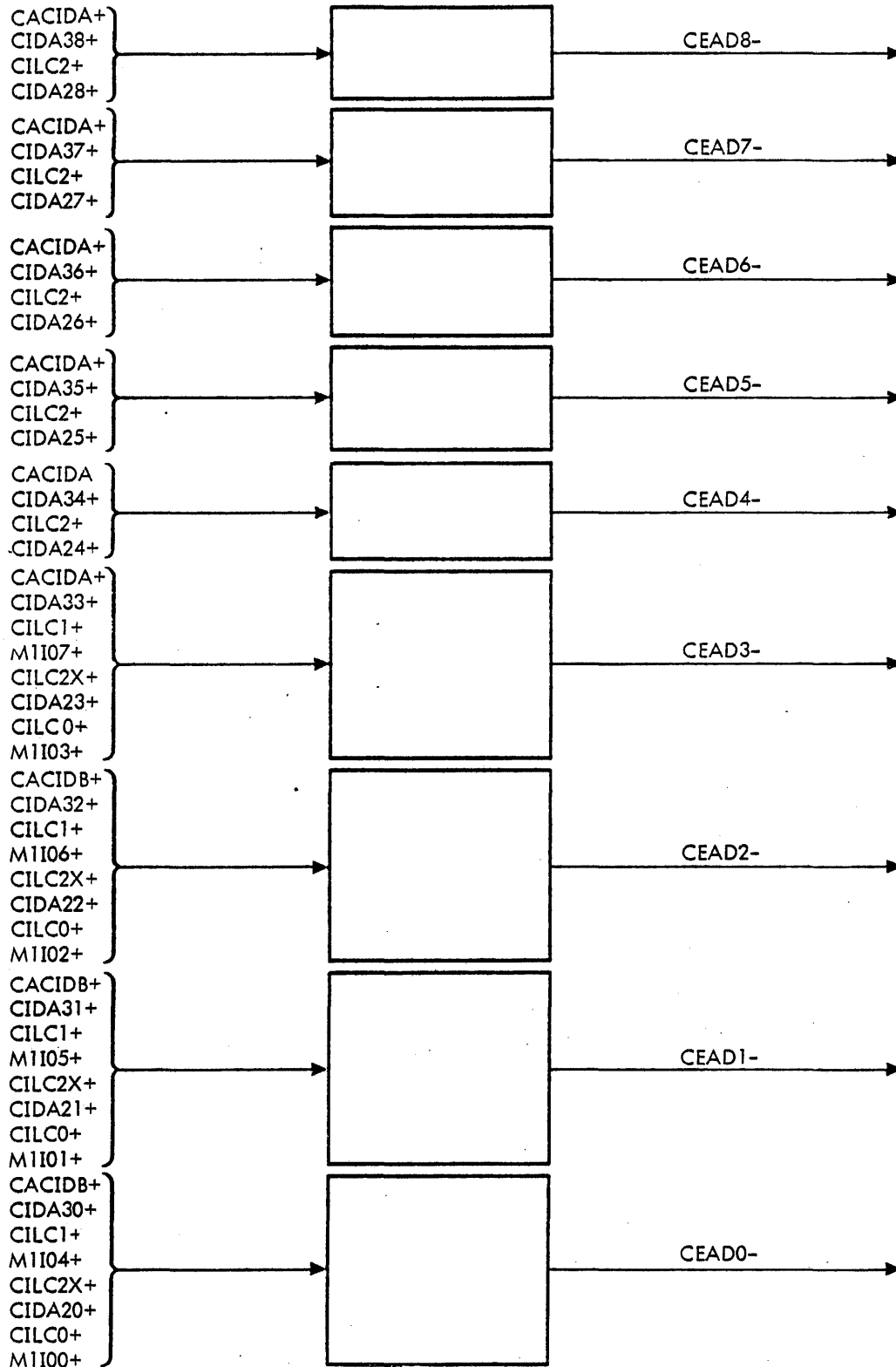
When an instruction field selection occurs, a high  $CEAFS+$  enables a 5-bit field from the instruction field selector  $CFSAn$  (0-4) or  $CFSBn$  (0-4) to be used as the least significant bits of the control store address  $CEADn-$  (0-4). Bit 4 is also enabled by a high  $CMTIO+$  which indicates that no I/O operation has been requested and the mask bit is true ( $CBMT+$  is high). Bits 0 through 3 are masked by the MS field  $CBMSn+$  (0-3).

When no instruction decoding is being performed, a high  $CACIDE-$  enables the AF field  $CBAFn+$  (0-4) to be used as the most significant bits of the control store address  $CEADn-$  (4-8).

When an alternate test address is selected, a high  $CEATS+$  enables the TS field  $CBTSn+$  (0-3) to be used as control store address bits 1 through 4.

When an interrupt address is required, a high  $CEAIA+$  enables interrupt addresses  $IIAn+$  (0-3) from the I/O section to be used as the least significant bits of the control store address  $CEADn-$  (0-3).

Pressing the control-panel RESET switch, produces a high  $CADEQ1+$  which sets all bits of the control store address to ones (low level). Bits 0 through 4 are set by the address selector, and bits 5 through 8 by the reset logic.



VT11-1605

Figure 4-5. Decoding Logic Driver



## THEORY OF OPERATION

### 4.3.7 Control Store

The control store is a 512-word by 64-bit high-speed ROM. It contains the microprogram which emulates the computer's instruction set. Control store output bit 0 through 31 are applied to the control store buffer in the data loop section, and output bits 32 through 63 are applied to the control store buffer in the central control. Since the control store outputs are tristate (or open collector), they can be disabled to allow an external control store to provide the inputs to the control store buffer. Interface signals for the external control store are routed through processor board connectors P2 and P3.

A low X $\overline{\text{CSEN}}$  + disables the control store when an external control store is used (X $\overline{\text{CSEN}}$  + is high with no external control store). A high C $\overline{\text{BIEN}}$  - disables control store bits 0 through 7 and allows these bits to be applied to the control store buffer from the register field selector.

For a list of the binary codes contained at each address of the control store, refer to document 81L1709-001 in the System Maintenance Manual.

### 4.3.8 Buffer Control

The buffer control decodes certain fields of the control store buffer.

When the AB field does not contain 00 (C $\overline{\text{BAB0}}$  + or C $\overline{\text{BAB1}}$  + is high) and there is no I/O transfer requested (C $\overline{\text{RQIO}}$  + is low), a high C $\overline{\text{BABA}}$  + enables the register field selector to provide input data to the A and B fields. A high C $\overline{\text{BIEN}}$  - disables the control store output bits 0 through 7 when the register field selector is enabled (C $\overline{\text{BABA}}$  + is high) or the MR field contains 1 (C $\overline{\text{BMR}}$  + is high). C $\overline{\text{BAKE}}$  - is an enabling signal for the A field of the control store buffer.

C $\overline{\text{MTIO}}$  + is the repowered MT-field bit (C $\overline{\text{BMT}}$  +) which is applied to the address selector when there is no I/O request (C $\overline{\text{RQIO}}$  - high).

C $\overline{\text{MRIO}}$  - is generated by gating C $\overline{\text{BMR}}$  + with C $\overline{\text{RQIO}}$  - to mask the most significant bit in the register field selector.

C $\overline{\text{IMDEN}}$  + is an enabling signal for the file control in the data loop section.

### 4.3.9 Register Field Selector

The register field selector, which contains four 8-input multiplexers, permits the selection of a 3- or 4-bit field from bits 0 through 10 of the instruction register C $\overline{2In}$  + (0-10) and applies it to the A and B fields of the control store buffer. This allows the A and B fields to be loaded directly from the instruction register thus saving control store addresses and improving performance for typical instruction sets.

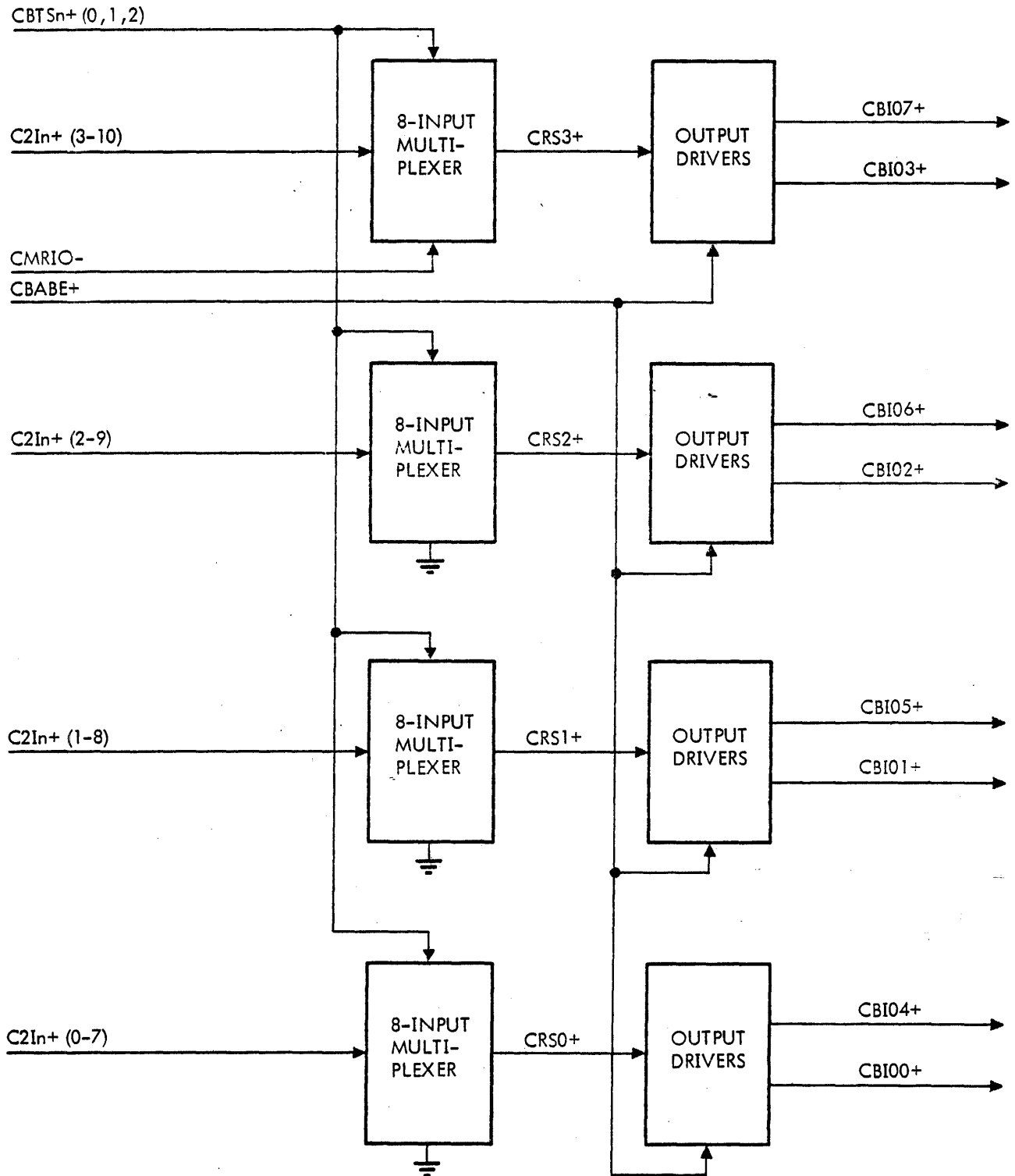
A block diagram of the register field selector is illustrated in figure 4-6. Field selection is controlled by three bits of the TS field C $\overline{\text{BTSn}}$  + (0-2). C $\overline{\text{MRIO}}$  - masks the most significant output bit (C $\overline{\text{BI03}}$  + or C $\overline{\text{BI07}}$  +) to permit the selection of either a 3- or 4-bit field. The multiplexer outputs are transferred through open-collector drivers by C $\overline{\text{BABA}}$  +. Table 4-4 is the truth table for the multiplexers.

### 4.3.10 Control Store Buffer (Bits 32-63)

The central control portion of the control store buffer holds the control fields of the last microinstruction fetched from the control store. Input and output signals for the various fields are shown in the block diagram of figure 4-7. The 32 input bits are simultaneously loaded into eight 4-bit registers on the negative transition of the full clock K $\overline{\text{KC2}}$  +. For a detailed description of the fields in the control store word, refer to section 4.8.

### 4.3.11 Control Field Decoder

The control field decoder (figure 4-8) decodes the signals from the T, S, and IM fields of the control store buffer. A block diagram of the control field decoder is illustrated in figure 4-8, and truth tables are provided in tables 4-5, 4-6, and 4-7.



VT11-1606A

Figure 4-6. Register Field Selector Block Diagram

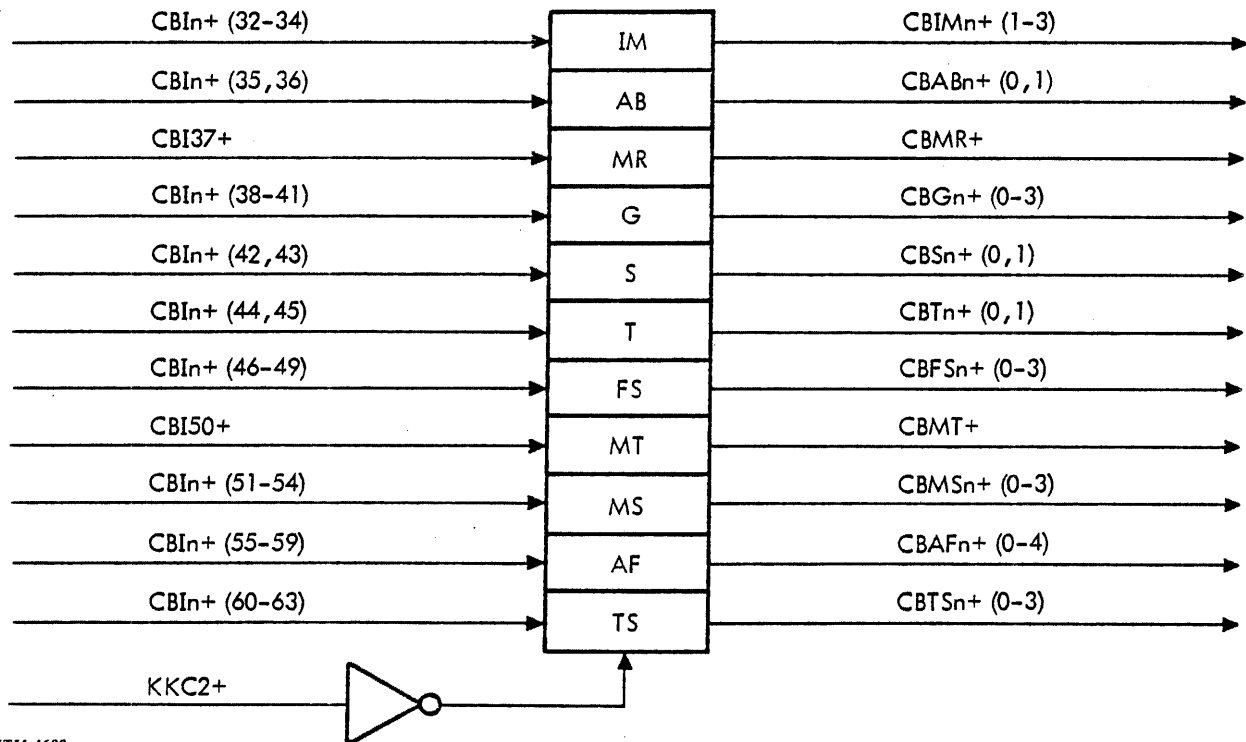
THEORY OF OPERATION

Table 4-4. Register Multiplexor Truth Table (IC Type SN74151)

| CBTSn+ (0-2)    |   |   | CMRIO-OR GRD | INPUT DATA (C2In+)          |   |   |   |   |   |   | OUTPUT CRSn+ (0-3) |
|-----------------|---|---|--------------|-----------------------------|---|---|---|---|---|---|--------------------|
| PINS<br>9 10 11 |   |   | PIN<br>7     | PINS<br>4 3 2 1 15 14 13 12 |   |   |   |   |   |   | PIN<br>6           |
|                 |   |   | H            |                             |   |   |   |   |   |   | H                  |
| L               | L | L | L            | L                           |   |   |   |   |   |   | H                  |
| L               | L | L | L            | H                           |   |   |   |   |   |   | L                  |
| L               | L | H | L            |                             | L |   |   |   |   |   | H                  |
| L               | L | H | L            |                             |   | H |   |   |   |   | L                  |
| L               | H | L | L            |                             |   |   | L |   |   |   | H                  |
| L               | H | L | L            |                             |   |   |   | H |   |   | L                  |
| L               | H | H | L            |                             |   |   |   |   | L |   | H                  |
| L               | H | H | L            |                             |   |   |   |   |   | H | L                  |
| H               | L | L | L            |                             |   |   |   |   |   | L | H                  |
| H               | L | L | L            |                             |   |   |   |   |   | H | L                  |
| H               | L | H | L            |                             |   |   |   |   |   | L | H                  |
| H               | L | H | L            |                             |   |   |   |   |   | H | L                  |
| H               | H | L | L            |                             |   |   |   |   |   |   | H                  |
| H               | H | L | L            |                             |   |   |   |   |   | H | L                  |
| H               | H | H | L            |                             |   |   |   |   |   | L | H                  |
| H               | H | H | L            |                             |   |   |   |   |   | H | L                  |

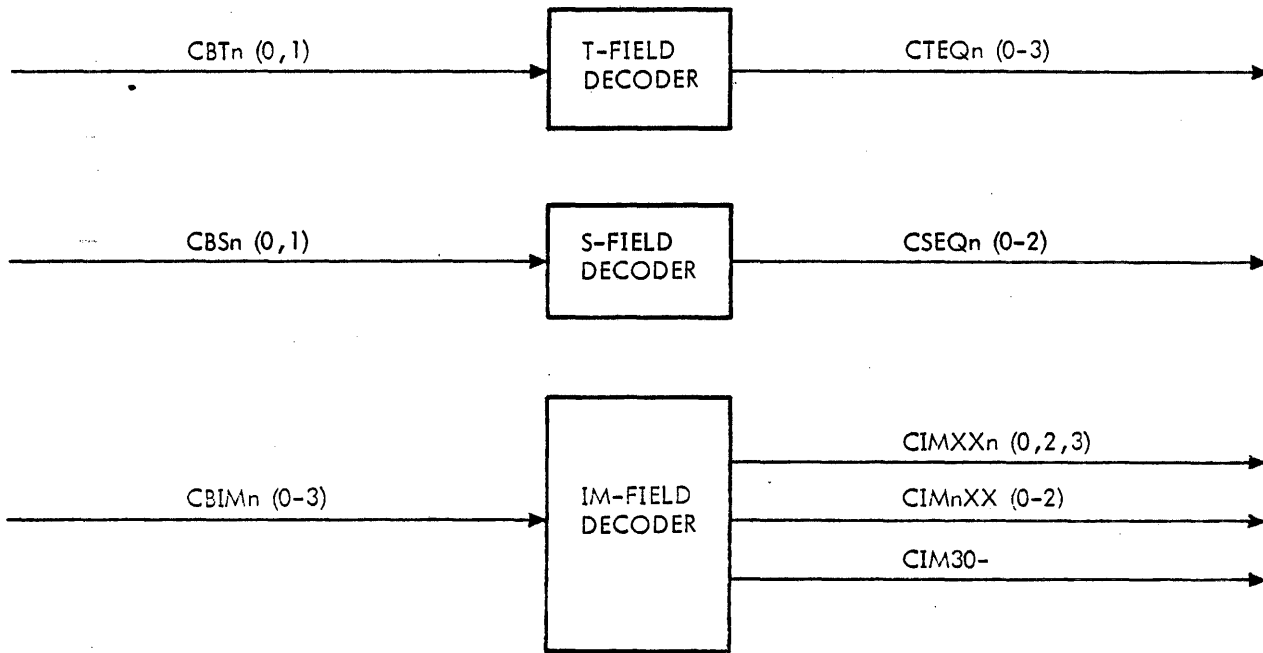
NOTE: H = HIGH, L = LOW, NO H OR L = IRRELEVANT INPUT

VT11-1607



VT11-1608

Figure 4-7. Control Store Buffer (Bits 32-63)



VT11-1609

Figure 4-8. Control Field Decoder Block Diagram

Table 4-5. T-Field Decoder Truth Table

| INPUTS |       | OUTPUTS |        |        |        |
|--------|-------|---------|--------|--------|--------|
| CBT1+  | CBT0+ | CTEQ0+  | CTEQ1+ | CTEQ2+ | CTEQ3+ |
| L      | L     | H       | L      | L      | L      |
| L      | H     | L       | H      | L      | L      |
| H      | L     | L       | L      | H      | L      |
| H      | H     | L       | L      | L      | H      |

NOTE: L = LOW, H = HIGH

VT11-1631

Table 4-6. S-Field Decoder Truth Table

| INPUTS |       | OUTPUTS |        |        |
|--------|-------|---------|--------|--------|
| CBS1+  | CBS0+ | CSEQ0+  | CSEQ1+ | CSEQ2+ |
| L      | L     | H       | L      | L      |
| L      | H     | L       | H      | L      |
| H      | L     | L       | L      | H      |
| H      | H     | L       | L      | L      |

NOTE: L = LOW, H = HIGH

VT11-1610

Table 4-7. IM-Field Decoder Truth Table

| IM FIELD CODES<br>(CBIM <sub>n</sub> , 0-3) |   |   |   |   | OUTPUT SIGNALS<br>(TRUE STATES) |
|---|---|---|---|---|---------------------------------|
| n BITS                                      | 3 | 2 | 1 | 0 |                                 |
|   | X | X | L | L | CIMXX0-                         |
|   | X | X | L | H | CIMXX1+                         |
|   | X | X | H | L | CIMXX2+                         |
|   | X | X | H | H | CIMXX3+                         |
|   | L | L | X | X | CIM0XX+                         |
|   | L | H | X | X | CIM1XX+                         |
|   | H | L | X | X | CIM2XX+                         |
|   | H | H | X | L | CIM30-                          |

NOTE: L = LOW, H = HIGH, AND X IS IRRELEVANT

VT11-1611 A

#### 4.3.12 Memory, I/O, and Clock Control

Signals applied to the memory control section are: CRQM+, COVRM+, CABRT-, CECKM+, and CECKM-.

The central control requests a memory operation by generating a high CRQM+. CRQM+ is high except during one of the following conditions:

- a. The central control overrides the memory request (CSEQ0- and CIM0XX+ are high).
- b. The IM field does not contain 0100 when the S field contains 00 (CIMXX0-, CIM1XX-, and CSEQ0+ are high).

The central control can change its memory request by generating a high COVRM+ (override signal). COVRM+

goes high when the S field does not contain 00 (CSEQ0- is high), and the two most-significant bits of the IM field are zero (CIM0XX+ is high).

In order for the central control to successfully initiate a memory request, the abort signal CABRT- must remain high. The memory request is aborted (CABRT- is low) if any of the following conditions occur:

- a. A system reset condition occurs (SRST+ is high).
- b. The S field contains binary 11 (CBS0+ and CBS1+ are high) and the conditional test is not met (DTCND- is high).
- c. The S field contains binary 10 (CSEQ2+ is high), the T field does not contain 00 (CTEQ0- is high), and, the conditional test is met (DTCND+ is high).

CECKM+, and its complement CECKM-, enable clock signals which are generated in the memory control section and used in the central control. CECKM+ is normally high but may be inhibited (low) during one of the following conditions:

- a. An I/O transfer is requested (CRQIO+ is high) but not acknowledged (IAKC1- is high).
- b. A wait for a memory acknowledgment occurs and no memory acknowledgment signal is received (MDNC- is high). The wait for a memory acknowledgment occurs when CBIM0+, CBIM1+, CSEQ0+, and CIM0XX+ are high.
- c. A wait for an I/O done condition. This occurs when CIMXX2+, CIM0XX+, CSEQ0+, and IDNC- are high.
- d. A system reset condition occurs (SRST- is low).

Signals applied to the I/O control section are: CRQIO+, CIDJMK-, and CIDHLT+.

The high CRQIO+ is an I/O transfer request signal that is applied to the I/O control section when the IM field contains 1110 or 1111 and the S field contains 00 (CSEQ0+ is high). CIDJMK+ is a decoded jump-and-mark signal and CIDHLT+ is a decoded halt signal; they are derived by signals from the instruction decoder (CID00+, CIDXX0+, and CIDXX2+).

CSAMCC+ and CSAMOV+ (and its complement CSAMOV-) are applied to the status and test logic in the data loop section. A high CSAMCC+ enables a clock signal DTKL- for the ALU flags DCNOZ+, DCNDC+, DSGN+, and DEQ+. CSAMOV+ goes high whenever an overflow condition is to be sampled by the overflow flag. A high CPMAS+ is generated to start a special mode of the PMA option. CPMAS+ is high when the T field contains 00 (CTEGO+ is high), the S field contains binary 10 (CSEQ2+ is high), and bit 0 of the G field is true (CBG0+ is high).

#### 4.3.13 Reset Logic

The reset logic contains a flip-flop that synchronizes the reset signal (SRST-) from the computer control panel. When the RESET switch is pressed, the flip-flop output CRST- is low and is applied to the interrupt logic to produce a high CADEQ1+. The CADEQ1+ signal is routed back to the reset logic to set all control-store address bits to ones (low level).

#### 4.3.14 Interrupt Logic

The interrupt logic receives the following types of interrupts:

- a. Control panel (NSTP-)
- b. I/O (IRQC-)

- c. I/O with memory protection installed (BINS-)
- d. Option board (OINT-)

Each of the above interrupt signals are masked with a bit from the TS field CBTSn+(0-3). The occurrence of an interrupt signal and its associated mask bit enable the interrupt logic to generate various control signals.

An interrupt from the control panel is initiated when the STEP/RUN switch is placed in the step position. This applies a low NSTP- to the interrupt logic where it is synchronized with the full clock KKC2+ and then gated with bit 3 of the TS field.

When an I/O interrupt is initiated, the I/O control section applies a low IRQC- to the interrupt logic. Any I/O interrupt is accepted by the interrupt logic when bit 0 of the TS field is set (CBTS0+ is high). When TS-Field bit 1 is set (CBTS1+ is high) and bit 0 is reset (CBTS0+ is low), interrupts are accepted only if the memory protection option is installed. BINS- is low when this option is installed.

When an interrupt from the option board is initiated, a low OINT- is applied to the interrupt logic where it is gated with bit 2 of the TS field.

The signals generated by the interrupt logic are: CINTS-, CEAlA-, CINTF+, CADEQ1+, and CSOIM1+.

CINTS- is low when the interrupt flag CINTF+ is high, IM field contains 011x (x is irrelevant bit), and the S field contains 00. The last two conditions occur when CBIM1+, CIM1XX+, and CSEQ0+ are high.

CEAlA- is low when all the following conditions occur:

- a. An interrupt is accepted.
- b. The S and T fields contain 00 and the G-field bit 2 is set (CSTOG2+ is high).
- c. An interrupt flag has not been selected, or it has been selected but not set (CINTS- is high).

Interrupt flag CINTF+ is set by the interrupt service micro-routine. It indicates that an I/O interrupt has occurred and is in process. CINTF+ is also used at the completion of an interrupt to determine the status of the instruction pipeline. The interrupt flag flip-flop is set (CINTF+ is high) when the S field contains 00 and the IM field contains 0111; it is reset when the S field contains 00 and the IM field contains 0110. The clock for the interrupt flag flip-flop is controlled by decoding the three most significant bits of the IM field, and is generated when the IM field contains 011x with the least significant bit irrelevant (x). The least significant bit of the IM field is applied to the data input of the flip-flop. The flip-flop is directly reset when the LB field contains 0x, the X field contains x1, and DSCON- is high.

## THEORY OF OPERATION

A high CADEQ1+ is applied to the address selector and reset logic to set the control store address bits to ones (low level). CADEQ1+ goes high when one of the following conditions occur:

- a. A reset signal is received from the control panel (CRST- is low).
- b. A control panel interrupt is received, bit 3 of TS field is set (CBTS3+ is high), and CEAIA- is low.

### 4.3.15 Supervisor Control and Clocks

The supervisor control contains a flip-flop which is set (CESK+ is high) when the S field contains 00 (CSEQ0+ is high) and the IM field contains 1011 (CIM2XX+, CBIM1+, and CBIM0+ are high). The flip-flop is reset when the S field contains 00 and the IM field contains 1010 (CIM2XX+ and CBIM1+ are high, and CBIM0+ is low).

The clocks circuit generates two clocks (KKC1+ and KKC2+) from the full clock MCDFC-.

### 4.3.16 Execution Control

The execution control performs the following functions:

- a. Decodes the execution type instruction (003XXX), and stores the decoded information during the instruction execution.
- b. Provides a signal to the memory protection option indicating that an execution type instruction has been decoded.
- c. Inhibits I/O and control-panel step interrupts until the completion of instruction execution.

The CINMPC+ flip-flop is set (CINMPC+ high) at the completion of instruction decoding (CACIDE+ high) if the instruction decoder outputs CID00+ and CIDXX3+ are both high. This flip-flop is reset when the instruction being decoded is not an execution type instruction.

The CXECCM+ flip-flop is set (CXECCM- low) when the condition is met for a jump, jump and mark, or execution test (CBT1+, CBG3-, and DTCND+ are high). The low CXECCM- enables the CXEINH+ flip-flop to be set (CXEINH- low) when the next instruction is decoded. This causes the CXECCM+ flip-flop to be cleared (CXECCM- high).

The CXEINH+ flip-flop is reset during the next instruction decoding time (CACIDE+ high).

## 4.4 DATA LOOP CIRCUITS

The circuits of the data loop are shown in the block diagram of figure 4-9. Page numbers of the processor logic diagram are provided in parentheses for each circuit block.

### 4.4.1 Control Store Buffer (Bits 0-31)

This portion of the control store buffer holds the first 31 bits of the last microinstruction fetched from the control store. Bits 0 through 30 control data loop operations and bit 31 is used in the central control. Input and output signals for the various fields are shown in the block diagram of figure 4-10. The 32 input bits are loaded into the control store buffer on the negative transition of the full clock KKC1+. The A and B fields require enabling signals from the buffer control circuit in the central control section. A low CBAKE- enables the A field and a high CABIO1- enables the B field. For a detailed description of the fields in the control store word, refer to section 4.8.

### 4.4.2 Register Files A and B

The register files A and B comprise 16 general purpose 16-bit registers that can be used in the emulation of an arbitrary instruction set, as well as providing operational registers and working storage for internal operations. Each file consists of four 16-word by 4-bit random-access memories. During a read operation, each file can be independently addressed. This permits simultaneous access to the contents of two arbitrary registers thus eliminating the need for a time consuming sequential access. During a writing operation, the files are identically addressed so that duplicate copies of the written data are available.

A block diagram of the register files are illustrated in figure 4-11. Both register files receive their input data DALn+ (0-15) from the arithmetic and logic unit (ALU). The input data are loaded (written) into one of the 16 registers in files A and B with a low DWCN-. One register out of 16 is selected with 4-bit address codes DFAAn+ (0-3) and DBSn- (0-3) applied to each file. These address codes and the corresponding registers are listed in table 4-8. Loaded data are available on the output lines of the register files. As an example, if an address code of 0001 and a low DWCN- are generated, the data on the output lines of files A and B are the contents of the B register (or register R1 for the expanded instruction set).

Data on the output lines of file A DFAn- (0-15) are transferred (read) to latch A with a low DENFA-. Data on the output lines of file B DFBn- (0-15) are transferred (read) to latch B with a low DENFB-. In addition, the complements of file A output bits 0 and 15 (DFA0+ and DFA15+) are applied to latch A for use in various shifting operations.

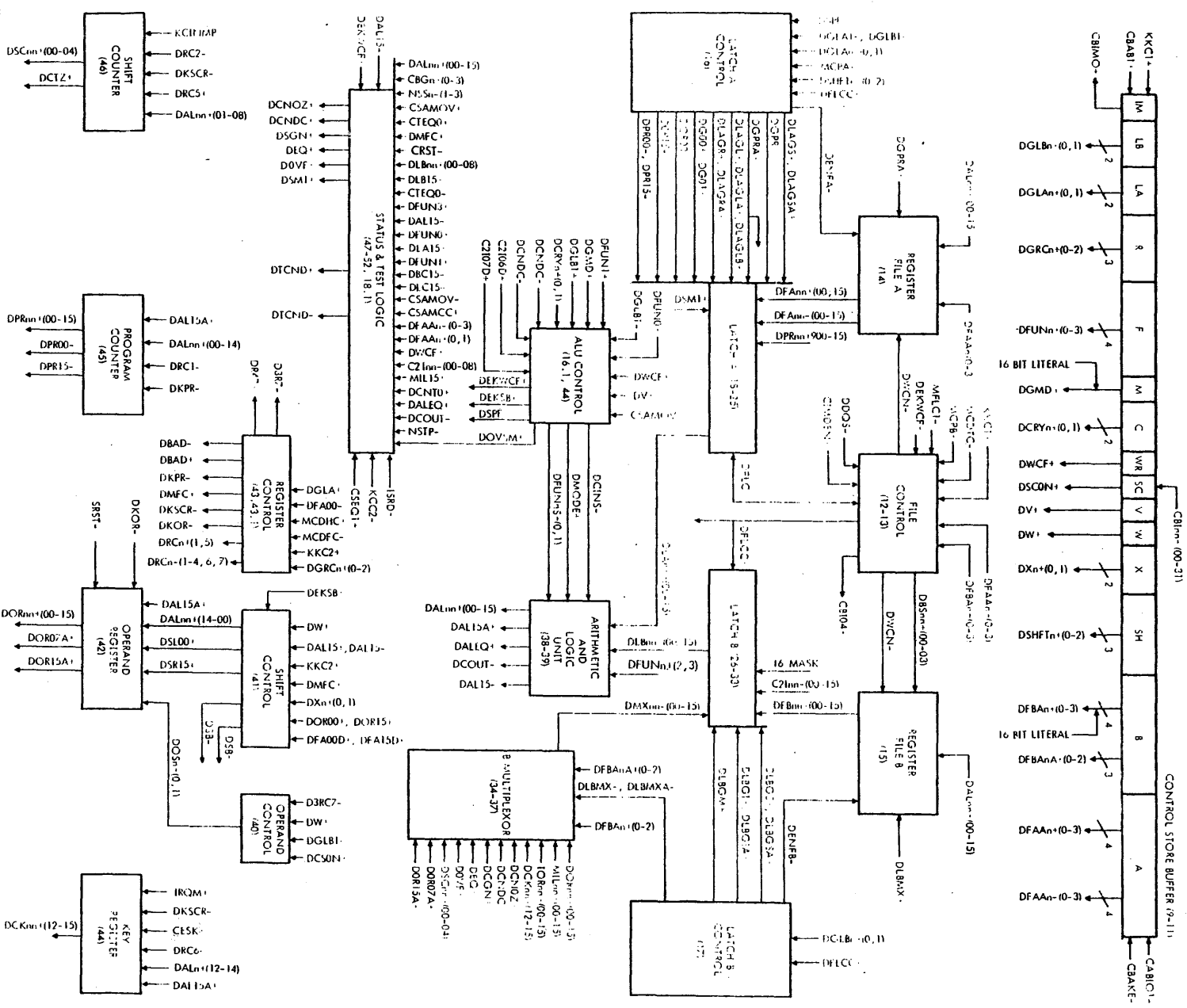
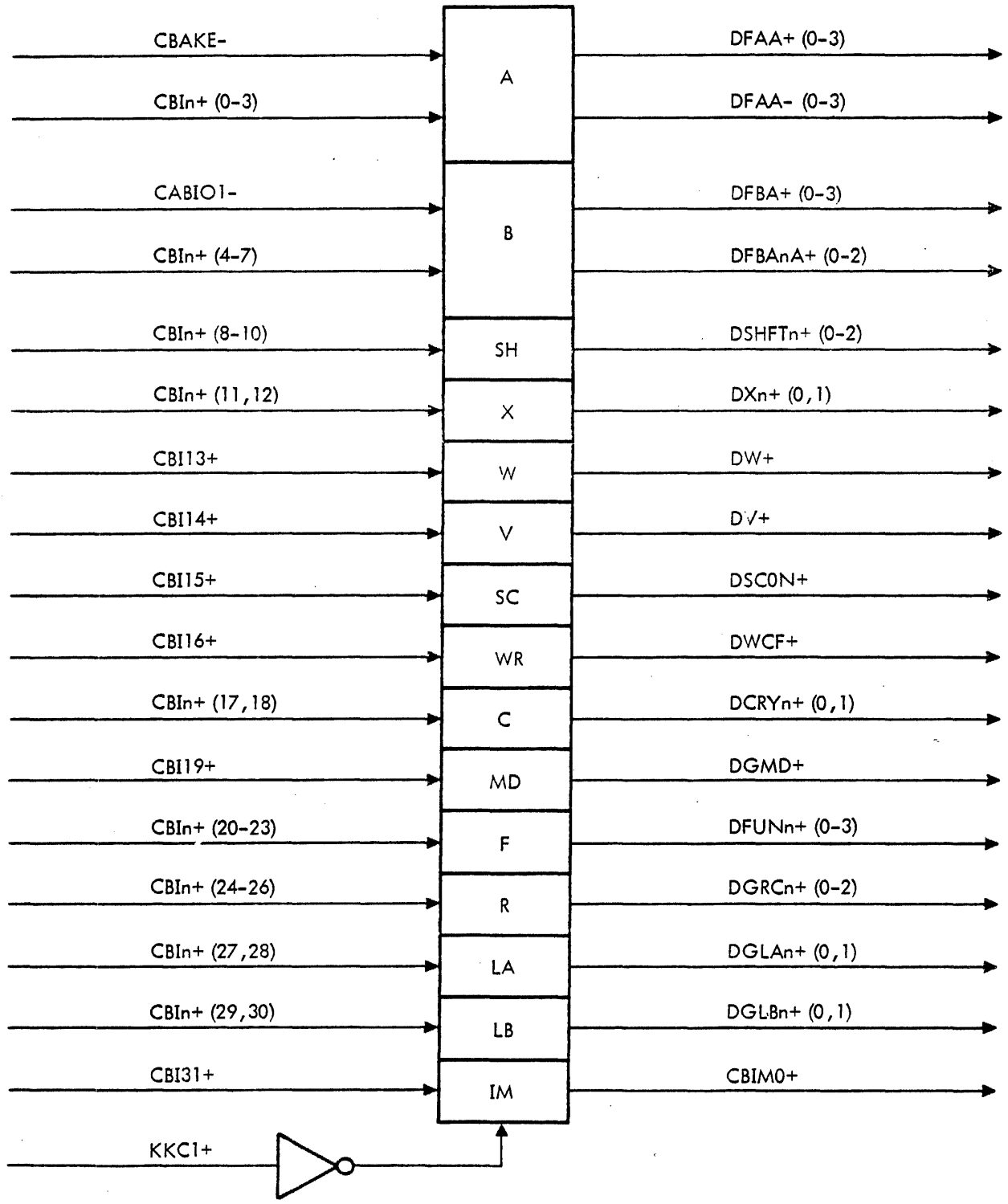


Figure 4-9. Data Loop Block Diagram

V773-2828

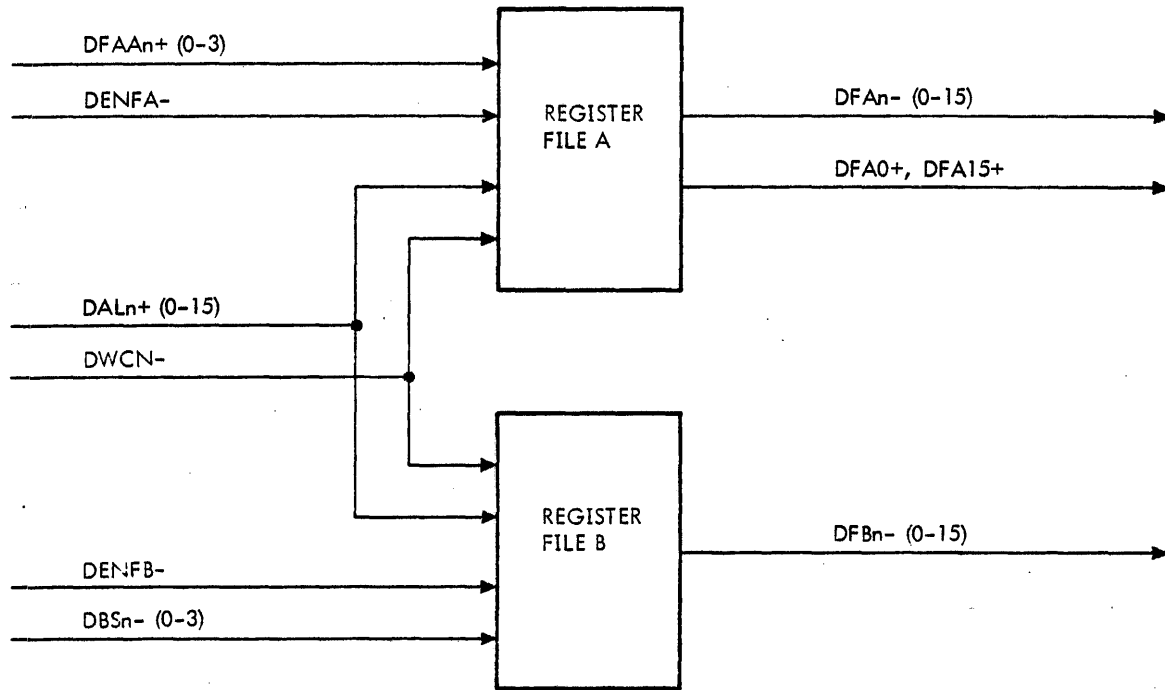


THEORY OF OPERATION



VT11-1612

Figure 4-10. Control Store Buffer (Bits 0-31)



VT11-1613

Figure 4-11. Register Files Block Diagram

Table 4-8. Register File Address Codes

| Address Codes | Register (Basic Instruction Set) | Register (Expanded Instruction Set) |
|---------------|----------------------------------|-------------------------------------|
| 0 0 0 0       | A                                | R0                                  |
| 0 0 0 1       | B                                | R1                                  |
| 0 0 1 0       | X                                | R2                                  |
| 0 0 1 1       | Contents are always all zeros.   | R3                                  |
| 0 1 0 0       | Instruction register contents.   | R4                                  |
| 0 1 0 1       | Contents are always all zeros.   | R5                                  |
| 0 1 1 0       | —                                | R6                                  |
| 0 1 1 1       | —                                | R7                                  |
| 1 0 0 0       | —                                | Instruction register contents.      |
| 1 0 0 1       | —                                | —                                   |
| 1 0 1 0       | —                                | —                                   |
| 1 0 1 1       | —                                | Contents are always all zeros.      |
| 1 1 0 0       | —                                | Contents are always all ones.       |
| 1 1 0 1       | —                                | —                                   |
| 1 1 1 0       | Used for temporary storage.      | Used for temporary storage.         |
| 1 1 1 1       | Used for temporary storage.      | Used for temporary storage.         |

4.4.3 File Control

The file control provides register file B with 4-bit address codes DBSn + (0-3) by inverting B-field signals DFBAn + (0-3). During the writing phase (DFLC+ is high) of each microinstruction, file-B addresses are switched to the same codes as the file-A addresses. This ensures that identical data is loaded into the same address of both files when DWCN- goes low.

A high DEKWCF+, applied to the file control, produces a low DWCN- that enables data to be written into files A and B.

During the latter portion of the processor cycle, high DFLC+ and DFLCC+ signals are generated to prevent input data from being loaded into latches A and B.

During multiplication and division operations, CBI04+ is controlled by DDQS- to produce address 1110 or 1111 for register file B. Depending on the state of the W-field bit (DW+), DDQS- is controlled either by the ALU bit 15 or operand register bit 1.

## THEORY OF OPERATION

### 4.4.4 Latch A Control

Latch A control decodes LA field signals  $DGLAn + (0,1)$  and generates enabling signals for latch A and register file A. The following signals are applied to latch A:

- $DGPR +$  and  $DGPRA +$  load the contents of the program counter  $DPRn + (0-15)$  into latch A.
- $DLAGL +$  and  $DLAGLA +$  load register file A data  $DFA n + (0-15)$  which are shifted left one bit position, into latch A.
- $DLAGR +$  and  $DLAGRA +$  load register file A data, which are shifted right one bit position, into latch A.
- $DLAGS +$  and  $DLAGSA +$  load unshifted register file A data into latch A.

A low  $DENFA -$  is generated by latch A control to transfer register file A data to latch A.  $DENFA -$  goes low when the contents of the program counter are not being transferred to latch A ( $DENF2 +$  low), and the conditions specified by the LA, LB, and SH fields are met ( $DGLA1 -$ ,  $DGLB1 -$ ,  $DLAGS +$  and  $DSHFT0 +$  are high). These conditions specify the output of latch A is zero.

$DFLCC +$ , from the file control, goes high during the latter portion of the processor cycle to inhibit the decoding function of the latch A control.

### 4.4.5 Latch A

Latch A provides data selection and buffering for the A input of the ALU. The sources of latch A input data are the program counter  $DPRn + (0-15)$  and register file A  $DFA n - (0-15)$ . Latch A buffers the output of the register file A from the ALU input during a file A write operation. A block diagram of the latch A circuits is illustrated in figure 4-12. The following are the types of data that can be loaded into latch A along with corresponding enabling signals from latch A control:

- Contents of the program counter are loaded into latch A with a high  $DGPR +$  and  $DGPRA +$ .
- Unshifted data from register file A are loaded into latch A with a high  $DLAGS +$  and  $DLAGSA +$ .
- Register file A data shifted left one bit position are loaded into latch A with a high  $DLAGL +$ ,  $DLAGLA +$ , and  $DLAGLB +$ .
- Register file A data shifted right one bit position are loaded into latch A with a high  $DLAGR +$  and  $DLAGRA +$ .

$DFLC +$  is a timing signal from the file control circuit. A low  $DFLC +$  enables latch A to sample and select the appropriate input data. During the latter portion of the processor cycle,  $DFLC +$  goes high causing latch A to

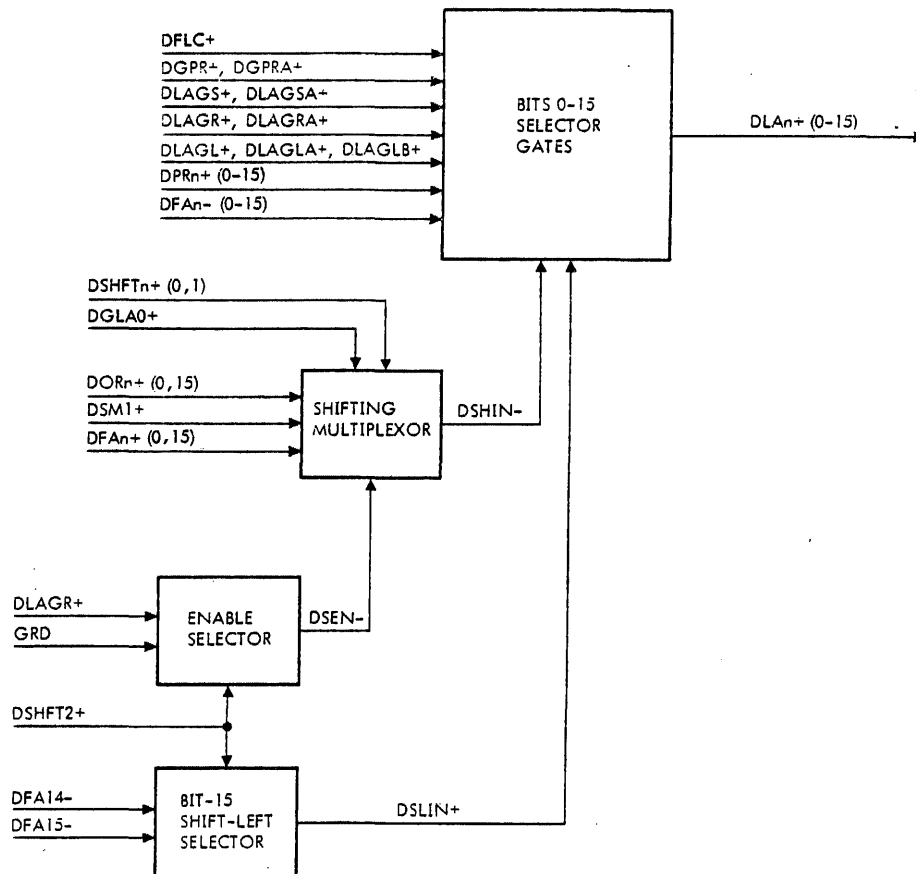


Figure 4-12. Latch A Block Diagram

disregard further changes to its other inputs as occurs when data are written into the register file.

DSHIN<sup>-</sup> and DSLIN<sup>+</sup> (figure 4-12) are additional inputs to the bit 0 and 15 selector gates, and are required for implementing shifting operations. DSHIN<sup>-</sup> is applied to the bit 0 and 15 selector gates and is generated by a multiplexor circuit (refer to table 4-9 for the multiplexor truth table). DSLIN<sup>+</sup> is applied only to the bit 15 selector gate and is selected from either DFA14<sup>-</sup> or DFA15<sup>-</sup>. When DSHFT2<sup>+</sup> is high, DFA15<sup>-</sup> is connected to the DSLIN<sup>+</sup> line. When DSHFT2<sup>+</sup> is low, DFA14<sup>-</sup> is connected to the DSLIN<sup>+</sup> line.

A low DSEN<sup>-</sup> is used to enable the shifting multiplexor. When DSHFT2<sup>+</sup> is high, a ground signal is connected to the DSEN<sup>-</sup> line to enable the multiplexor. When DSHFT2<sup>+</sup> is low, DSEN<sup>-</sup> is controlled by DLAGR<sup>+</sup>.

4.4.6 Latch B Control

Latch B control decodes LB field signals (DGLB0<sup>+</sup> and DGLB1<sup>+</sup>) and generates enabling signals for latch B,

register file B, and B multiplexor. The following signals are applied to latch B.

- a. DLBGI<sup>+</sup> and DLBGIA<sup>+</sup> load the contents of the instruction register C2In<sup>-</sup> (0-15) into latch B.
- b. DGLB1<sup>-</sup> and DLBGM<sup>+</sup> are produced from bit 1 of the LB field (DGLB1<sup>+</sup>) and are used to load the 16-bit control store literal into latch B. The control store literal is the mask field of the control store buffer (fields B, SH, X, W, V, SC, WR, C, and M).
- c. DLBGS<sup>+</sup> and DLBGSA<sup>+</sup> load data from either the B multiplexor or the register file B.

A low DENFB<sup>-</sup> transfers register file B data to latch B. DENFB<sup>-</sup> goes low when register file B is selected as the input for latch B, and remains high when other latch B inputs are selected. DLBMX<sup>-</sup> and DLBMXA<sup>-</sup> are complements of bit 0 of the LB field and are used to enable the B multiplexor.

Table 4-9. Shifting Multiplexor Truth Table

| DGLA0 <sup>+</sup> | DSHFT0 <sup>+</sup><br>DSHFT1 <sup>+</sup> | DSHFT0 <sup>+</sup><br>DSEN <sup>-</sup> | GRD | DOR15 <sup>+</sup><br>DFA15 <sup>+</sup> | DOR15 <sup>+</sup><br>OPEN | DSM1 <sup>+</sup><br>DFA00 <sup>+</sup> | DFA15 <sup>+</sup><br>DOR00 <sup>+</sup> | DSHIN <sup>-</sup> |
|--------------------|--|--|-----|--|----------------------------|---|--|--------------------|
| L                  | L  | L  | H   | L  |                            |   |  | H                  |
| L                  | L  | H  | L   |  | L                          |   |  | H                  |
| L                  | L  | H  | L   |  | H                          |   |  | H                  |
| L                  | H  | L  | L   |  |                            | L                                       |  | L                  |
| L                  | H  | L  | L   |  |                            | H                                       |  | L                  |
| L                  | H  | H  | L   |  | H                          |   |  | L                  |
| H                  | L  | L  | L   |  |                            | L                                       |  | H                  |
| H                  | L  | L  | L   |  |                            | H                                       |  | L                  |
| H                  | L  | H  | L   |  |                            |   | L  | H                  |
| H                  | L  | H  | L   |  |                            |   | H  | L                  |
| H                  | H  | L  | L   |  |                            |   | L  | H                  |
| H                  | H  | L  | L   |  |                            |   | H  | L                  |
| H                  | H  | H  | L   |  |                            |   |  | H                  |
| H                  | H  | H  | L   |  |                            |   | L  | H                  |
| H                  | H  | H  | L   |  |                            |   | H  | L                  |

NOTE: H = HIGH, L = LOW, AND NO H OR L INDICATES IRRELEVANT INPUT

## THEORY OF OPERATION

### 4.4.7 Latch B

Latch B provides data selection and buffering for the B input of the ALU. The sources of latch B input data are: register file B, B multiplexor, instruction register, and 16-bit control store literal. Latch B buffers the output of the register file B from the ALU input during a file writing operation. The following are the types of data that can be loaded into latch B along with corresponding enabling signals from latch B control:

- a. Register file B data  $DFBn-$  (0-15) or B multiplexor data  $DMXn-$  (0-15) are loaded into latch B with a high  $DLBGS+$  and  $DLBGSA+$ . The data selection is determined by latch B control ( $DENFB-$  or  $DLBMX-$  and  $DLBMXA-$ ).
- b. Contents of the instruction register  $C2In-$  (0-15) are loaded into latch B with a high  $DLBGI+$  and  $DLBGIA+$ .
- c. The 16-bit control store literal (fields B, SH, X, W, V, SC, WR, C, and M) is loaded into latch A with a high  $DLBGM+$  and  $DGLB1-$ .

DFLCC is a timing signal from the file control circuit. A low DFLCC enables latch B to sample and select the appropriate input data. During the latter portion of the processor cycle, DFLCC+ goes high causing latch B to disregard further changes to its other inputs.

### 4.4.8 B Multiplexor

When specified by the LB field, the B multiplexor provides input data to latch B. As illustrated in the block diagram of figure 4-13, the B multiplexor receives eight data inputs (a through h), LB-field enabling signals ( $DLBMX-$  and  $DLBMXA-$ ), and B-field data-selection signals  $DFBAn+$  (0-2) and  $DFBAnA+$  (0-2). The B multiplexor output data  $DMXn-$  (0-15) is applied to latch B.

The eight data inputs and their sources are listed as follows:

- a. Operand register  $DORn+$  (0-15).
- b. Memory input latch  $MILn+$  (0-15).
- c. I/O register  $IORn+$  (0-15).
- d. Status word consisting of key register bits  $DCKn+$  (12-15), shift-counter bits  $DSCn+$  (0-4), supervisor-key flag  $CESK+$ , and arithmetic flags ( $DCNDC+$ ,  $DSGN+$ ,  $DEQ+$ ,  $DOVF+$ , and  $DCNOZ+$ ).
- e. Right byte of operand register  $DORn+$  (0-7) with the sign bit  $DOR07A+$  extended. The operand register right byte remains in the right byte position of the B multiplexor output, and the sign bit is placed in all bit positions of the left byte.
- f. Left byte of operand register  $DORn+$  (8-15) with the sign bit  $DOR15A+$  extended. The operand register left byte is placed in the right byte position of the B multiplexor output, and the sign bit  $DOR15A+$  is placed in all bit positions of the left byte.

- g. Right byte of the operand register  $DORn+$  (0-7) without the sign bit extended. The operand register right byte is placed in the right byte position of the B multiplexor output, and a zero (GRD) is placed in all bit positions of the left byte ( $DMX08-$  through  $DMX15-$  are high).
- h. Right byte of the operand register  $DORn+$  (0-7) and zero data (GRD). The operand register right byte is placed in the left byte of the B multiplexor output, and a zero (GRD) is placed in all bit positions of the right byte ( $DMX00-$  through  $DMX07-$  are high).

Data input selection is accomplished with bits 0 through 2 of the B field. B-field codes and corresponding data inputs they select are listed in table 4-10.

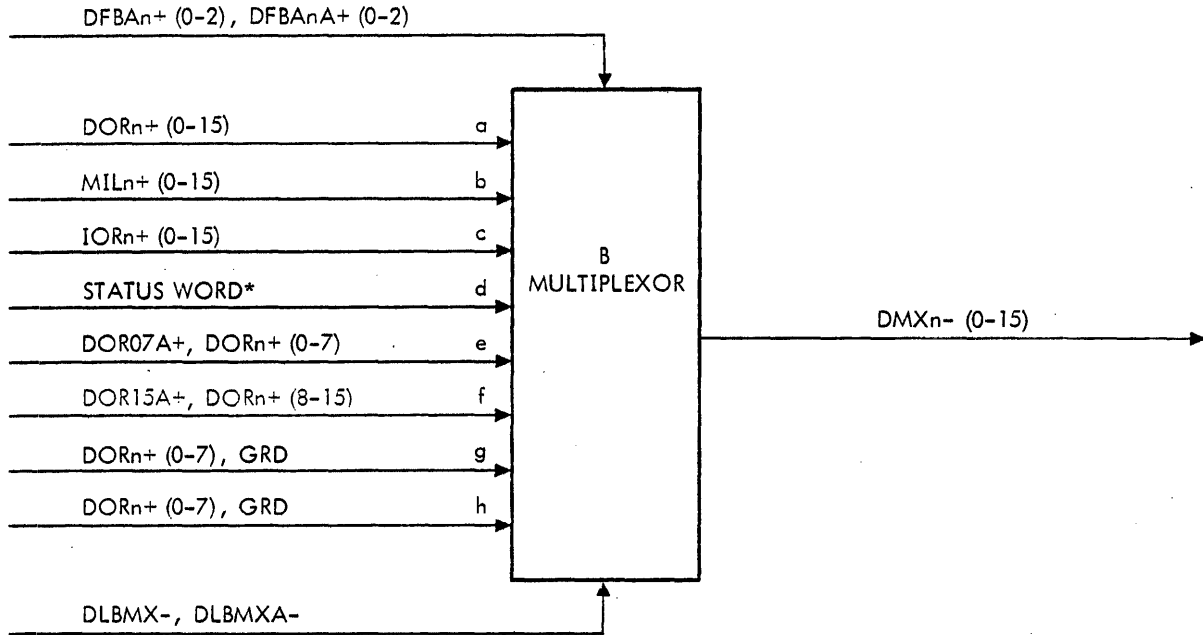
### 4.4.9 Arithmetic and Logic Unit

The ALU performs logical or arithmetical operations on data from latches A and B. The ALU output data  $DALn+$  (0-15) are directed to the following sections of the processor:

- a. The data multiplexor in the memory control for writing the ALU data into memory.
- b. The address multiplexor in the memory control for applying the ALU data into the address latch.
- c. The I/O multiplexor in the I/O data loop for programmed and multiplexor channel I/O operations through the I/O register.
- d. The program counter to provide jump instruction addresses.
- e. The shift counter for initializing the shift count.
- f. The operand register for general data loop operations and those requiring double length shifts.
- g. The register files A and B for updating the contents of the registers.
- h. The key register for use with memory map operations.

Figure 4-14 is a block diagram of the ALU. The ALU performs logical operations when  $DMODE+$  is high and arithmetical operations when it is low. During an arithmetical operation, a low carry-in signal ( $DCINS-$ ) adds a 1 to the ALU output. Internal carry generation and propagation signals,  $DSGn+$  (1-4) and  $DSPn+$  (1-4), are applied to the carry generator to determine whether internal carry signals  $DCOn+$  (1-3) are to be generated. Function control signals ( $DFUN0S+$ ,  $DFUN1S+$ ,  $DFUN2+$ ,  $DFUN3+$ ) comprise 16 4-bit codes that determine the particular logical or arithmetical ALU operation. Table 4-11 lists the 16 logical and 16 arithmetical operations that can be performed by the ALU.

When the ALU output bits are all ones a high  $DALEQ+$  is applied to the status and test logic. A low  $DCOUT-$  is applied to the status and test logic when the ALU generates a carry.



\*STATUS WORD CONSISTS OF KEY-REGISTER BITS (DCKn+, 12-15), SHIFT-COUNTER BITS (DSCn+, 0-4), SUPERVISOR-KEY FLAG (CESK+), AND ARITHMETIC FLAGS (DCNDC+, DSGN+, DEQ+, DOVF+, AND DCNOZ+).

VTII-1616

Figure 4-13. B-Multiplexor Block Diagram

Table 4-10. B-Field Codes

| DFBA2+<br>DFBA2A+ | DFBA1+<br>DFBA1A+ | DFBA0+<br>DFBA0A+ | SELECTED<br>DATA INPUT* |
|-------------------|-------------------|-------------------|-------------------------|
| L                 | L                 | L                 | a                       |
| L                 | L                 | H                 | b                       |
| L                 | H                 | L                 | c                       |
| L                 | H                 | H                 | d                       |
| H                 | L                 | L                 | e                       |
| H                 | L                 | H                 | f                       |
| H                 | H                 | L                 | g                       |
| H                 | H                 | H                 | h                       |

NOTE: H = HIGH, L = LOW

\*DATA INPUTS ARE DESIGNATED a THROUGH h AS IN FIGURE 4-13

VTII-1617

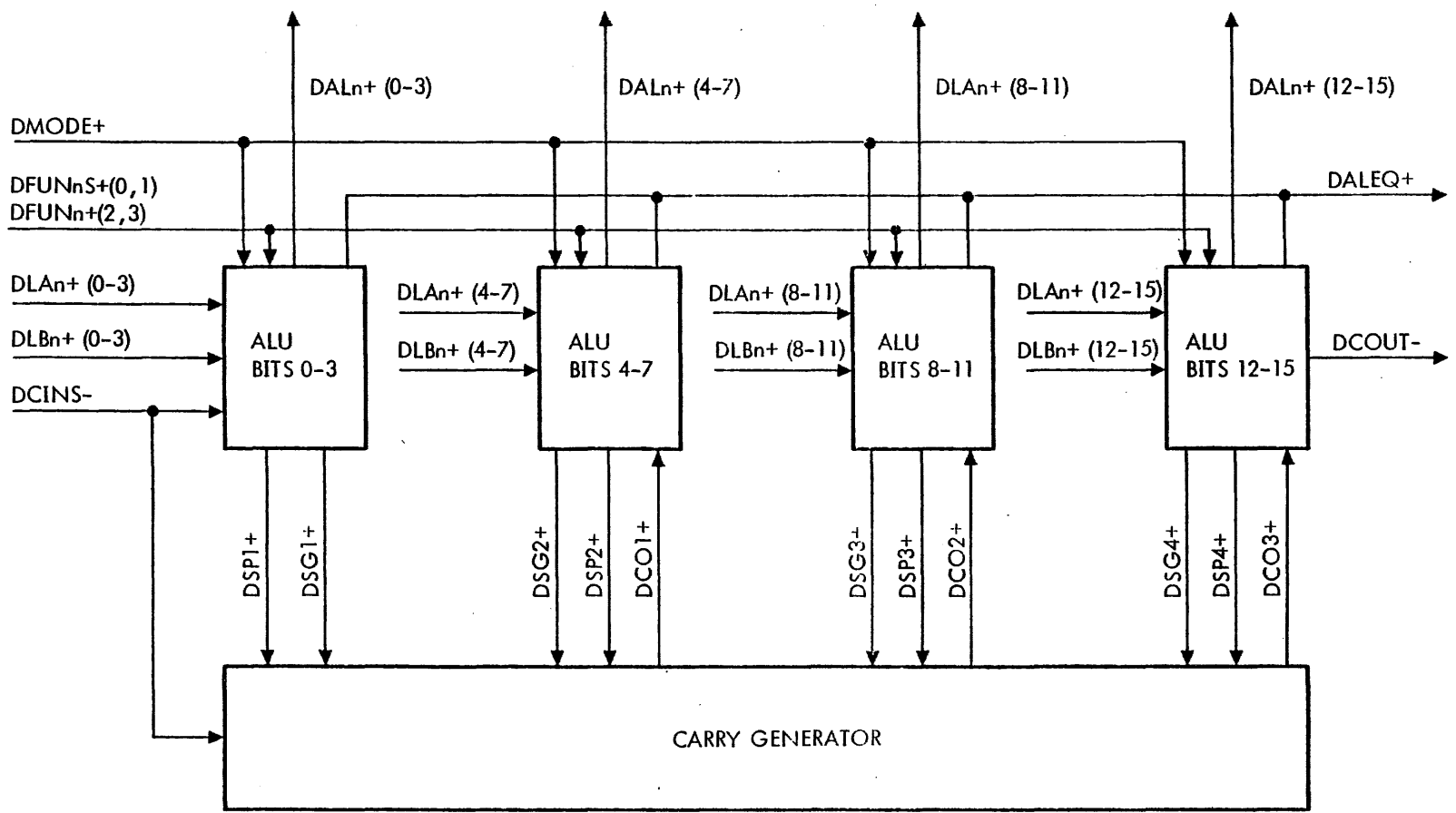


Figure 4-14. ALU Block Diagram

Table 4-11. ALU Operations

| DFUN3+ | DFUN2+ | DFUN1+ | DFUN0+ | LOGICAL OPERATIONS<br>DMODE+ HIGH | ARITHMETICAL OPERATIONS                        |   |
|--------|--------|--------|--------|-----------------------------------|--|---|
|        |        |        |        |                                   | DCINS- HIGH                                    | DMODE+ LOW<br>DCINS- LOW  |
| L      | L      | L      | L      | $F = \bar{A}$                     | $F = A$  | $F = A \text{ PLUS } 1$   |
| L      | L      | L      | H      | $F = \overline{A \vee B}$         | $F = A \vee B$                                 | $F = (A \vee B) \text{ PLUS } 1$                                |
| L      | L      | H      | L      | $F = \bar{A} \wedge B$            | $F = A \vee \bar{B}$                           | $F = (A \vee \bar{B}) \text{ PLUS } 1$                          |
| L      | L      | H      | H      | $F = 0$                           | $F = \text{MINUS } 1 \text{ (2's COMPLEMENT)}$ | $F = \text{ZERO}$   |
| L      | H      | L      | L      | $F = \overline{A \wedge B}$       | $F = A \text{ PLUS } A$                        | $F = A \text{ PLUS } A \wedge B \text{ PLUS } 1$                |
| L      | H      | L      | H      | $F = \bar{B}$                     | $F = (A \vee B) \text{ PLUS } A$               | $F = (A \vee B) \text{ PLUS } A \wedge \bar{B} \text{ PLUS } 1$ |
| L      | H      | H      | L      | $F = A \vee B$                    | $F = A \text{ MINUS } B \text{ MINUS } 1$      | $F = A \text{ MINUS } B$  |
| L      | H      | H      | H      | $F = A \wedge \bar{B}$            | $F = A \wedge B \text{ MINUS } 1$              | $F = A \wedge \bar{B}$  |
| H      | L      | L      | L      | $F = \overline{A \vee B}$         | $F = A \text{ PLUS } A$                        | $F = A \text{ PLUS } A \wedge B \text{ PLUS } 1$                |
| H      | L      | L      | H      | $F = \overline{A \vee B}$         | $F = A \text{ PLUS } B$                        | $F = A \text{ PLUS } B \text{ PLUS } 1$                         |
| H      | L      | H      | L      | $F = B$                           | $F = (A \vee \bar{B}) \text{ PLUS } A$         | $F = (A \vee \bar{B}) \text{ PLUS } A \wedge B \text{ PLUS } 1$ |
| H      | L      | H      | H      | $F = A \wedge B$                  | $F = A \wedge B \text{ MINUS } 1$              | $F = A \wedge B$  |
| H      | H      | L      | L      | $F = 1$                           | $F = A \text{ PLUS } A$                        | $F = A \text{ PLUS } A \text{ PLUS } 1$                         |
| H      | H      | L      | H      | $F = A \vee \bar{B}$              | $F = (A \vee B) \text{ PLUS } A$               | $F = (A \vee B) \text{ PLUS } A \text{ PLUS } 1$                |
| H      | H      | H      | L      | $F = A \vee B$                    | $F = (A \vee \bar{B}) \text{ PLUS } A$         | $F = (A \vee \bar{B}) \text{ PLUS } A \text{ PLUS } 1$          |
| H      | H      | H      | H      | $F = A$                           | $F = A \text{ MINUS } 1$                       | $F = A$   |

NOTES: 1. IN THE ABOVE TABLE, F REPRESENTS THE ALU OUTPUT (DAL00+ THROUGH DAL15+), AND A AND B REPRESENT THE ALU INPUTS (DLA00+ THROUGH DLA15+, AND DLB00+ THROUGH DLB15+).

2. THE SYMBOL  $\vee$  DESIGNATES THE INCLUSIVE  $\emptyset$ R OPERATION.
3. THE SYMBOL  $\nabla$  DESIGNATES THE EXCLUSIVE  $\emptyset$ R OPERATION.
4. THE SYMBOL  $\wedge$  DESIGNATES THE AND OPERATION.
5. H = HIGH, L = LOW



**THEORY OF OPERATION**

**4.4.10 ALU Control**

The ALU control contains two multiplexor circuits which provide the ALU control signals. One multiplexor is controlled by DGLB1+, the other by DSPF+. DGLB1+ is high when the LB field contains binary 10 or 11, indicating signals from the control store buffer are used for masking instead of controlling. A high DSPF+ indicates a special ALU function used for the register transfer and modification instructions that have codes beginning with 005. DSPF+ goes high when the SH field contains binary 100 through 111, and the LA and LB fields contain 00 or 01. The ALU control signals consist of the ALU mode control DMODE+, ALU carry-in DCINS-, and ALU function controls DFUN0S+ and DFUN1S+.

DMODE+ is controlled by the M-field bit (DGMD+) in the non-masked condition (DGLB1+ low), and by bit 1 of the F field (DFUN1+) in the masked condition (DGLB1+ high). DCINS- is controlled by instruction register bits 6 and 7 (C2106D+ and C2107D+) for the special ALU function (DSPF+ high). During the normal ALU function (DSPF+ low) in the non-masked condition, DCINS- (carry input) is controlled by the C field as follows:

- a. When the C field contains 00 (DCRY0+ and DCRY1+ low), DCINS- goes high indicating there is no carry input.
- b. When the C field contains 01 (DCRY0+ high and DCRY1 low), DCINS- goes low if DCNDC+ (stored carry) is high and high if DCNDC+ is low. This makes the carry in equal to the stored carry.
- c. When the C field contains binary 10 (DCRY0+ low and DCRY1+ high), DCINS- goes low if DCNDC+ is low

and high if DCNDC+ is high. This makes the carry in equal to the complement of the stored carry.

- d. When the C field contains a binary 11 (DCRY0+ and DCRY1+ high), DCINS- goes low indicating a carry input.

DFUN0S+ and DFUN1S+ are controlled by instruction-register bit 7 (C2107D- and C2107D+) for the special ALU functions, and by F-field bits 0 and 1 for the normal ALU function.

In addition to the ALU control signals, DEKWCF+, DEKSB+, and DOVSMS+ are also generated by the ALU control. In the non-masked condition, DEKWCF+ is controlled by the WR-field bit (DWCF+) and DEKSB+ by the V-field bit (DV+). DEKWCF+ is sent to the file control for writing data into files A and B, and DEKSB+ to the shift control to enable the setting of the dividing-sign flip-flop (DSB+). DOVSMS+ is an enabling signal for setting the overflow flip-flop in the status and test logic. This signal is controlled by instruction-register bit 6 (C2106D+) for the special ALU function, and by CSAMOV+ for the normal ALU function.

**4.4.11 Register Control**

A decoder circuit in the register control decodes the three R-field bits DGRcn+(0-2) to produce seven control signals that control various operations for the shift counter, program counter, operand register, and key register. Table 4-12 is a truth table showing the states of the seven control signals for each R-field code. Control signals DRC3-, DRC4-, and DRC7- are used in the register control to produce D3RC7- and DR47+. When the R field contains 011 or 111, a low D3RC7- loads the operand register.

**Table 4-12. Register-Control Decoder Truth Table**

| R-FIELD INPUT BITS |        |        |        | DECODED OUTPUTS |       |       |       |       |       |       |
|--------------------|--------|--------|--------|-----------------|-------|-------|-------|-------|-------|-------|
| GROUND             | DGRC2+ | DGRC1+ | DGRC0+ | DRC1-           | DRC2- | DRC3- | DRC4- | DRC5+ | DRC6- | DRC7- |
| L                  | L      | L      | L      | H               | H     | H     | H     | L     | H     | H     |
| L                  | L      | L      | H      | L               | H     | H     | H     | L     | H     | H     |
| L                  | L      | H      | L      | H               | L     | H     | H     | L     | H     | H     |
| L                  | L      | H      | H      | H               | H     | L     | H     | L     | H     | H     |
| L                  | H      | L      | L      | H               | H     | H     | L     | L     | H     | H     |
| L                  | H      | L      | H      | H               | H     | H     | H     | H     | H     | H     |
| L                  | H      | H      | L      | H               | H     | H     | H     | L     | L     | H     |
| L                  | H      | H      | H      | H               | H     | H     | H     | L     | H     | L     |

NOTE: L = LOW, H = HIGH

When the R field contains 100 or 111, a high DR47+ increments the program counter at half-clock time. The R field specifies the following operations:

- a. R-field containing 000 causes no operation.
- b. R-field containing 001 loads the program counter.
- c. R-field containing 010 loads the shift counter.
- d. R-field containing 011 loads the operand register.
- e. R-field containing 100 increments the shift counter.
- f. R-field containing 101 loads the key register.
- g. R-field containing 110 increments the program counter.
- h. R-field containing 111 loads the operand register and increments the program counter.

A byte-address flip-flop (DBAD+) stores file-A bit 0 (DFA00-) at half-clock time (MCDHC+) to prevent losing the bit during shifting operations (DGLA1+ high).

The processor clock KKC2+ is repowered to provide clocks for the operand register and shift counter. These clocks are DKOR- and DKSCR-. Clock MCDFC- is also repowered to produce the data loop clock DMFC+. The data-loop clock is

also used to generate the program-counter clock DKPR-. The program-counter clock can occur at either full-clock time (MCDFC-) to load the program counter or at half-clock time to increment the program counter.

**4.4.12 Shift Control**

The shift control contains two multiplexors that select the data to be shifted into the end bits of the operand register during shifting operations. Both multiplexors are controlled by the X field. The shift-left multiplexor selects data (DSL00+) for bit 0 of the operand register from bit 15 of the ALU, file A, or operand register. The shift-right multiplexor selects data (DSR15+) for bit 15 of the operand register from bits 0 or 15 of the operand register, bit 0 of file A, or the divide sign bit (stored file-A bit 15, DSB+). Tables 4-13 and 4-14 are truth tables for the shift-left and shift-right multiplexors.

**4.4.13 Operand Control**

The operand control selects the operating mode of the operand register based on the SC and W fields. The four operating modes consist of: hold (no activity), shift left, shift right, and load in ALU data. Table 4-15 lists the operating modes resulting from the various states of output signals DOS0+ and DOS1+.

**Table 4-13. Shift-Left Multiplexors Truth Table**

| CONTROL |      | INPUT DATA |         |        |        | OUTPUT |
|---------|------|------------|---------|--------|--------|--------|
| DX1+    | DX0+ | DOR15+     | DFA15D+ | DAL15- | GROUND | DSL00+ |
| L       | L    | L          | X       | X      | X      | L      |
| L       | L    | H          | X       | X      | X      | H      |
| L       | H    | X          | L       | X      | X      | L      |
| L       | H    | X          | H       | X      | X      | H      |
| H       | L    | X          | X       | L      | X      | L      |
| H       | L    | X          | X       | H      | X      | H      |
| H       | H    | X          | X       | X      | L      | L      |

NOTE: L = LOW, H = HIGH, AND X = IRRELEVANT

Table 4-14. Shift-Right Multiplexors Truth Table

| CONTROL |      | INPUT DATA |         |        |      | OUTPUT |
|---------|------|------------|---------|--------|------|--------|
| DX1+    | DX0+ | DOR00+     | DFA00D+ | DOR15+ | DSB+ | DSR15+ |
| L       | L    | L          | X       | X      | X    | L      |
| L       | L    | H          | X       | X      | X    | H      |
| L       | H    | X          | L       | X      | X    | L      |
| L       | H    | X          | H       | X      | X    | H      |
| H       | L    | X          | X       | L      | X    | L      |
| H       | L    | X          | X       | H      | X    | H      |
| H       | H    | X          | X       | X      | L    | L      |
| H       | H    | X          | X       | X      | H    | H      |

NOTE: L = LOW, H = HIGH, AND X = IRRELEVANT

VT11-1622

Table 4-15. Operand Register Modes

| INPUTS |     |        |        | OUTPUTS |       | MODE             |
|--------|-----|--------|--------|---------|-------|------------------|
| D3RC7- | DW+ | DGLB1- | DSCON+ | DOS0+   | DOS1+ |                  |
| H      | X   | X      | X      |         |       |                  |
| H      | X   | X      | L      | L       | L     | HOLD             |
| H      | L   | H      | H      | L       | H     | SHIFT LEFT       |
| H      | H   | H      | H      | H       | L     | SHIFT RIGHT      |
| L      | X   | X      | X      | H       | H     | LOAD IN ALU DATA |

NOTE: L = LOW, H = HIGH, AND X = IRRELEVANT

VT11-1623

#### 4.4.14 Operand Register

The 16-bit operand register has load and shift capabilities to enable double length shifts in conjunction with shifting modes of latch A. The register can be loaded with data from the ALU, and its output  $DORn+(0-15)$  can be selected by the B multiplexor as an ALU input. The four operating modes of the operand register are given in the preceding section.

The operand register consists of four 4-bit shift registers. Loading and shifting operations occur on the positive-going transition of clock  $DKOR-$  (unless  $DOS0+$  and  $DOS1+$  are both low).

#### 4.4.15 Key Register

The 4-bit key register is loaded from the four most significant bits of the ALU output under control of the R field ( $DRC6-$ ). The register is used with a memory map to designate which one of 16 memory protection partitions is active for processor-initiated memory operations.

In addition to the logical high and low states, the key-register output  $DCKn+(12-15)$  has an open-circuit state. This allows the output lines to be directly connected to outputs of the I/O key register in the memory control section. The key register output is in the open-circuit state when an I/O request occurs ( $IRQM+$  high) or when the supervisor control flip-flop is set ( $CESK+$  high). The key register is loaded at full-clock time with the positive-going transition of clock  $DKSCR-$ .

#### 4.4.16 Program Counter

The 16-bit program counter performs loading and counting functions to permit address generation of the next instruction to be fetched. Contents of the counter  $DPRn+(0-15)$  can be selected as an address source by the address multiplexor for memory control or by latch A for the ALU input.

The counter can be loaded from the ALU or incremented under control of the R field ( $DRC1-$  and  $DR47+$ ). When  $DRC1-$  is low, the positive-going transition of clock  $DKPR-$  loads in ALU data at full clock time. When  $DR47+$  is high, the positive-going transition of clock  $DKPR-$  increments the counter contents at half-clock time.

#### 4.4.17 Shift Counter

The shift counter, under control of the R field, performs loading and counting functions used for shifting, multiplication, and division. When the desired shift count is reached, a high carry signal  $DCTZ+$  is applied to the status and test logic. The five output bits  $DSCn+(0-4)$  are applied to the B multiplexor as part of the status word.

When  $DRC2-$  is low, ALU data  $DALn+(0-7)$  consisting of the two's complement of the required shift count is loaded

into the shift counter on the positive-going transition of clock  $DKSCR-$ . At full-clock time whenever  $DRC5+$  is high, the counter is incremented by one until a carry is generated from the eighth most significant bit. This causes the counter to be reset and the carry signal  $DCTZ+$  to go high. The counter is also reset when  $KCINMP+$  goes low.

#### 4.4.18 Status and Test Logic

The status and test logic stores the results of certain operations under control of the control store buffer. Five status signals for the B multiplexor and one for latch A are generated by the status and test logic:

- The multiplication sign flag  $DSM1+$  can be applied to latch A. During multiplication,  $DSM1+$  goes high when the product is negative.
- $DCNOZ+$  goes high when the ALU output is zero. This condition is sampled by  $DTKL-$ .
- $DCNDC+$  goes high when the ALU generates a carry. This condition is sampled by  $DTKL-$ .
- $DSGN+$  goes high when the ALU output is negative. This condition is sampled by  $DTKL-$ .
- $DEQ+$  goes high when the ALU output bits are all ones. This condition is sampled by  $DTKL-$ .
- $DOVF+$  goes high when the overflow flip-flop is set.

The status and test logic also applies a test-result signal  $DTCND+$  to the central control to determine the control store address during the processing of conditional instructions.  $DTCND+$  goes high when the selected test condition is met and low when it is not met. When selected by the G-field signals  $CBGn+(0-3)$ , the following can be tested:

- Overflow. When this condition occurs, the overflow flip-flop is set ( $DOVF+$  high).
- I/O sense response. When this condition occurs, a high  $ISRd+$  is applied to the status and test logic.
- Sense switches 1, 2, and 3. When these switches are set, low  $NSSn-(1-3)$  signals cause the corresponding  $CBSSn+(1-3)$  signals to go high in the status and test logic.
- Jump, Jump-and Mark, and Execution tests. When a condition is met for one of these instructions, a high  $DFTT+$  is generated in the status and test logic.
- Equal ALU inputs. When the data inputs to the ALU are equal, a high  $DALEQ+$  causes  $DEQ+$  to go high in the status and test logic.
- Sign of ALU output. A high  $DAL15A+$  produces a high  $DSGN+$  in the status and test logic indicating a negative sign. A low  $DAL15A+$  produces a low  $DSGN+$  indicating a positive sign.

continued

## THEORY OF OPERATION

- g. ALU carry. When the ALU generates a carry, a low DCOUT<sup>-</sup> produces a low DCNDC<sup>-</sup> in the status and test logic.
- h. ALU output is zero. When the output of the ALU equals zero, a low DZTS<sup>-</sup> and a high DCNOZ<sup>+</sup> are generated in the status and test logic.
- i. DSB flag. When bit 15 of register file A is a one, a high DSB<sup>+</sup> is sent to the status and test logic. A low DSB<sup>+</sup> indicates bit 15 of register file A is a zero.
- j. Sign of memory input latch. A high MIL15<sup>+</sup> indicates the data from the memory input latch has a negative sign. A low MIL15<sup>+</sup> indicates a positive sign.
- k. Shift-counter overflow. When this condition occurs, a high DCTZ<sup>+</sup> is applied to the status and test logic indicating the shift counter is reset to zero.
- l. Output sign of A register (general-purpose register 0). The status and test logic generates a high DASGN<sup>+</sup> for a negative sign and a low DASGN<sup>+</sup> for a positive sign.
- m. Normalized shift completed. When a normalized shift is complete, the status and test logic generates a high DNZT<sup>+</sup>. This occurs when the ALU output bits 14 and 15 have opposite states.

## 4.5 MEMORY CONTROL CIRCUITS

The circuits of the memory control are shown in the block diagram of figure 4-15. Page numbers of the processor logic diagram are provided in parenthesis for each circuit block.

### 4.5.1 Address Multiplexor

The 4-input 16-bit address multiplexor selects a memory address from one of the following sources:

- a. I/O register, IORn<sup>+</sup> (0-15)
- b. ALU, DALn<sup>+</sup> (0-15)
- c. Program counter, DPRn<sup>+</sup> (0-15)
- d. Input latch, MILn<sup>+</sup> (0-15)

Address selection is controlled by MASL0<sup>+</sup> and MASL1<sup>+</sup> from control logic 1. The address multiplexor applies the selected address MAMn<sup>+</sup> (0-15) to the address latch. Table 4-16 is a truth table for the address multiplexor.

**Table 4-16. Address Multiplexor Truth Table**

| CONTROL            |                    | INPUT DATA               |                          |                          |                          | OUTPUT                   |
|--------------------|--------------------|--------------------------|--------------------------|--------------------------|--------------------------|--------------------------|
| MASL1 <sup>+</sup> | MASL0 <sup>+</sup> | IORn <sup>+</sup> (0-15) | DALn <sup>+</sup> (0-15) | DPRn <sup>+</sup> (0-15) | MILn <sup>+</sup> (0-15) | MAMn <sup>+</sup> (0-15) |
| L                  | L                  | L                        | X                        | X                        | X                        | L                        |
| L                  | L                  | H                        | X                        | X                        | X                        | H                        |
| L                  | H                  | X                        | L                        | X                        | X                        | L                        |
| L                  | H                  | X                        | H                        | X                        | X                        | H                        |
| H                  | L                  | X                        | X                        | L                        | X                        | L                        |
| H                  | L                  | X                        | X                        | H                        | X                        | H                        |
| H                  | H                  | X                        | X                        | X                        | L                        | L                        |
| H                  | H                  | X                        | X                        | X                        | H                        | H                        |

NOTE: L = LOW, H = HIGH, AND X = IRRELEVANT

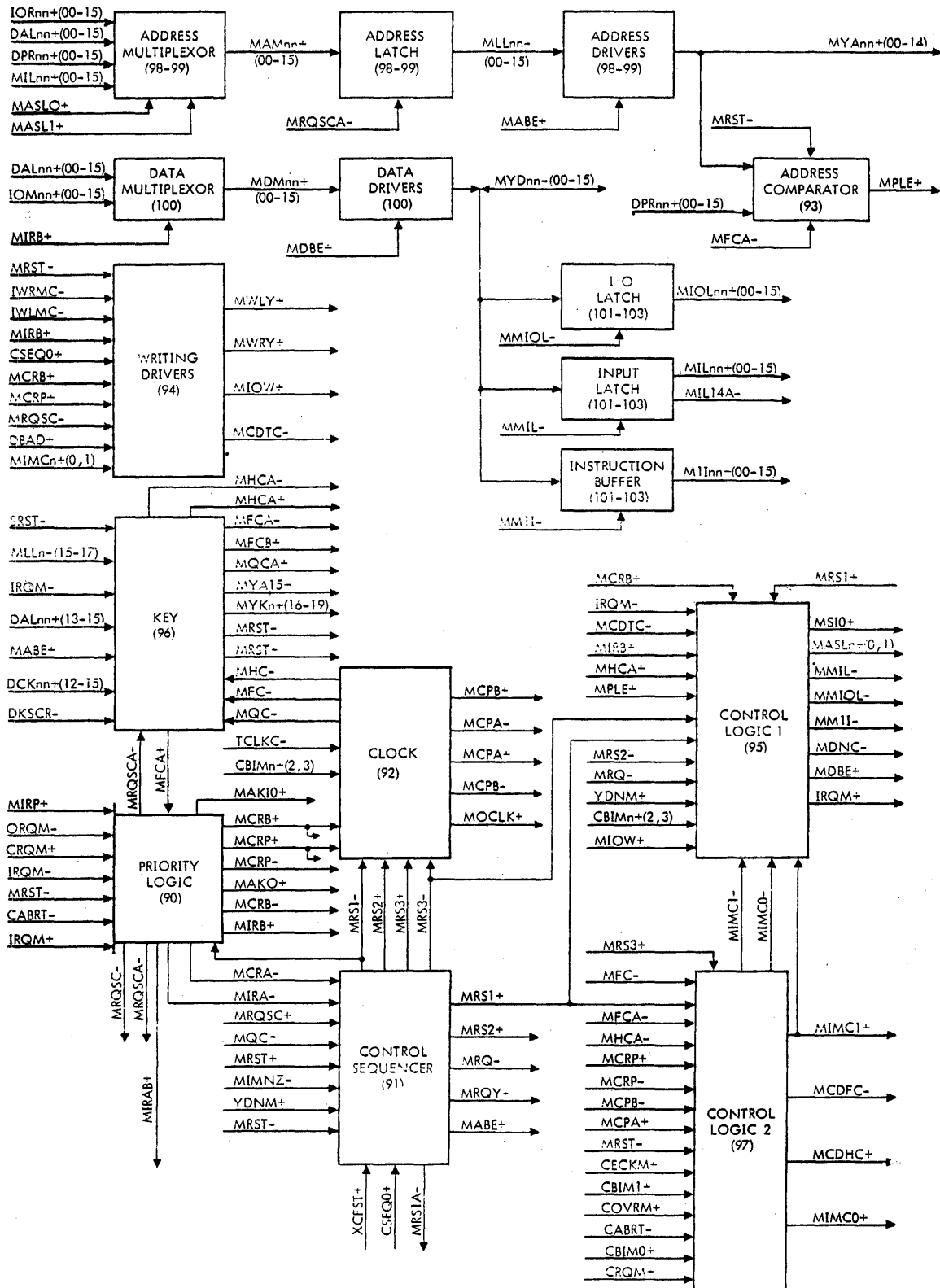


Figure 4-15. Memory Control Block Diagram

## THEORY OF OPERATION

### 4.5.2 Address Latch

The 16-bit address latch stores the selected memory address during the memory cycle. A low sample clock MRQSCA<sup>-</sup> from the priority logic loads the selected address into the latch where it is inverted and applied to the address drivers.

### 4.5.3 Address Drivers

The open-collector address drivers interface the address latch to the memory address bus. A high enabling signal MABE<sup>+</sup> from the control sequencer gates the latch output MLLn<sup>-</sup>(0-15) through the drivers where it is inverted and applied to the address bus as MYAn<sup>+</sup>(0-14) (address bit 15 is not used on the address bus unless a writable control store is present).

### 4.5.4 Address Comparator

The address comparator prevents erroneous operation in the event a store type instruction is being currently processed and its effective address contains the next instruction to be fetched (the processor fetches the next instruction before the current instruction is completed). Addresses from the program counter DPRn<sup>+</sup>(0-15) and the address drivers MYAn<sup>+</sup>(0-15) are compared by the comparator. When the addresses are equal, a high MPLE<sup>+</sup> signal is sent to control logic 1 so that the instruction already fetched into the instruction buffer can be updated during the store instruction's execution.

### 4.5.5 Data Multiplexor

The 16-bit data multiplexor selects memory write data from either the ALU or I/O multiplexor for DMA operation. Data selection is controlled by I/O request signal MIRB<sup>+</sup> from the priority logic. A high MIRB<sup>+</sup> selects I/O data IOMn<sup>+</sup>(0-15); a low MIRB<sup>+</sup> selects ALU data DALn<sup>+</sup>(0-15).

### 4.5.6 Data Drivers

The open-collector data drivers interface the data multiplexor to the bidirectional memory data bus. A high enabling signal MDBE<sup>+</sup> from control logic 1 gates the data multiplexor output MDMn<sup>+</sup>(0-15) through the drivers where it is inverted and applied to the memory data bus as MYDn<sup>-</sup>(0-15).

### 4.5.7 I/O Latch

Data from the memory data bus is loaded into the 16-bit I/O latch with a low MMIL<sup>-</sup> from control logic 1. The I/O latch inverts the data and applies it to the I/O multiplexor in the I/O data loop section.

### 4.5.8 Input Latch

Data from the memory data bus is loaded into the 16-bit input latch with a low MMIL<sup>-</sup> from control logic 1. The input latch inverts the data and applies it to the address multiplexor and the B multiplexor in the data loop section.

### 4.5.9 Instruction Buffer

Data from the memory data bus is loaded into the 16-bit instruction buffer with a low MMII<sup>-</sup> from control 1 logic. The instruction buffer inverts the data and applies it to the central control section as M1In<sup>+</sup>(0-15). This data is applied to the instruction decoder and instruction decoding logic for preliminary decoding, and to the instruction register for detailed decoding.

### 4.5.10 Writing Drivers

The writing drivers apply left- and right-byte controls MWLY<sup>+</sup> and MWRY<sup>+</sup> to the memory. When a full word is written into memory, MIMC1<sup>+</sup> is high and MIMC0<sup>+</sup> is low resulting in high MWLY<sup>+</sup> and MWRY<sup>+</sup> signals. When a byte is written into memory, MIMC0<sup>+</sup> is high and the stored-byte address DBAD<sup>+</sup> determines which byte control is high. A high MCRB<sup>+</sup> enables the byte controls when the processor has priority, and a high MIRB<sup>+</sup> enables them when the I/O control has priority. IWLMC<sup>-</sup> and iWRMC<sup>-</sup> provide left- and right-byte information from the I/O control. A high MIOW indicates I/O data is written into memory.

When the processor has priority and the S field equals 0 (MCRP<sup>+</sup> and CSEQ0<sup>+</sup> are high), MCDTC<sup>-</sup> goes low on the positive-going transition of clock MRQSC<sup>-</sup> indicating that a special data transfer from the ALU to the instruction buffer is taking place.

### 4.5.11 Key Logic

The key logic provides key bus data MYKn<sup>+</sup>(16-19) for memory mapping, and repowered clock and reset signals. The key bus data comes from either an I/O key register in the key logic or from the key register in the data loop. When CIMXX0<sup>-</sup> and CIM2S0<sup>-</sup> are low ALU data bits 12 through 15 are loaded into the I/O key register on the positive-going transition of clock DKSCR<sup>-</sup>. The key register output is enabled with an I/O request (IRQM<sup>-</sup> low). Key-bus data (I/O or processor) are gated onto the key bus with a high MABE<sup>+</sup>.

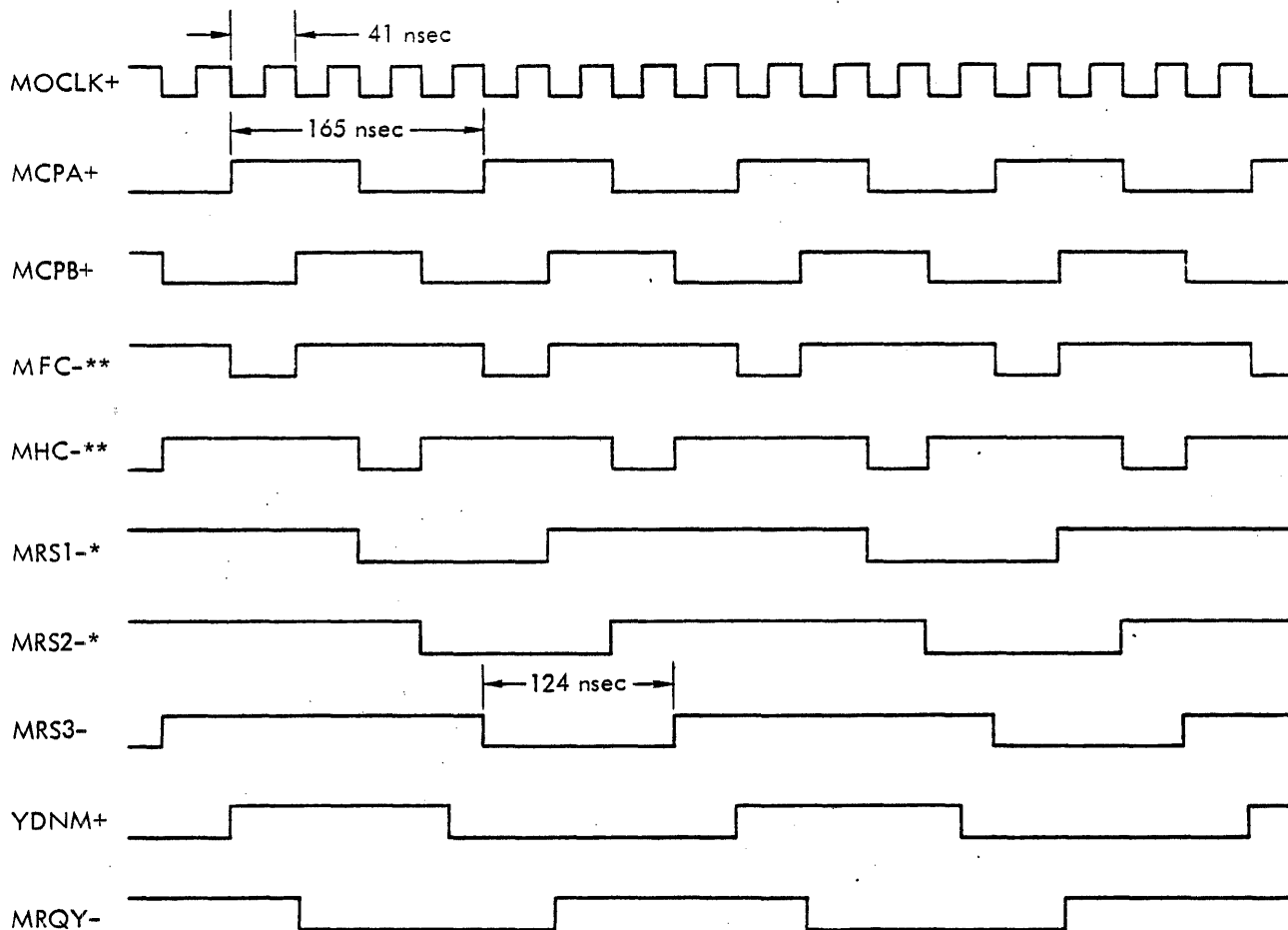
### 4.5.12 Clock Generator

The clock generator provides clock signals (figure 4-16) for all sections of the processor, except I/O control, and for options on the option board. A crystal oscillator circuit produces the symmetrical squarewave MOCCLK<sup>+</sup> (24.2424 MHz). This 41.25-nanosecond period clock is sent to the

option board and is also used to clock flip-flops that produce the phase A and B clocks MCPA+ and MCPB+. The phase clocks have a 165-nanosecond period representing the basic processor control state in which a single microinstruction is processed. Full and half clocks MFC- and MHC- are produced by decoding MCPA+ and MCPB+. The periods of MFC- and MHC- may vary in 41 nanosecond increments depending on when the memory acknowledgment signal YDNM+ is applied to the control sequencer. During indirect addressing and DMA opera-

tions, the periods are increased an additional 41 nanoseconds (one MOCLK+ cycle) by a delay flip-flop in the clock generator.

The crystal oscillator circuit can be disconnected (by removing a jumper on the processor card) and replaced with an external signal (TCLKC-) connected to J2-43 of the processor board. This external signal is normally supplied by the writable control store option.



\*PULSE WIDTH DEPENDS ON WHEN YDNM+ GOES LOW

\*\*PERIOD MAY VARY IN 41 NANOSECOND INCREMENTS DEPENDING ON RELATIONSHIP OF YDNM+ GOING LOW AND PHASE CLOCKS MCPA+ AND MCPB+. DURING INDIRECT ADDRESSING AND DMA OPERATIONS, THE PERIOD IS INCREASED AN ADDITIONAL 41.25 NANOSECONDS

VT11-1625

Figure 4-16. Clock and Sequencer Waveforms



## THEORY OF OPERATION

### 4.5.13 Control Sequencer

The control sequencer generates sequencing signals when a memory request is received from the processor or I/O. A low MCRA- (processor request) or MIRA- (I/O request) from the priority logic produces a high MABE+ that gates the memory address onto the address bus. This occurs at the beginning of the sequencer cycle so that the address has time to stabilize.

A three flip-flop counter clocked by MQC- and MQC+ generates the three sequencing signals MRS1-, MRS2-, and MRS3- (figure 4-16). The pulse width of MRS3- is always 124 nanoseconds; however, MRS1- and MRS2- pulse widths depend on when the memory acknowledgment signal is received (YDNM+ goes low).

### 4.5.14 Priority Logic

The priority logic receives requests for memory operations from the PMA (on option board), I/O control and central control. PMA has the highest priority and central control has the lowest.

When the PMA requests a memory operation, a low ORQM- is applied to the priority logic. This inhibits the sampling of requests from I/O control and central control, and causes MAKO+ to go high indicating the PMA has priority.

An I/O control request indicates a DMA operation is to be performed and applies a high IRQM+ to the priority logic. A high IRQM+ inhibits the sampling of central control requests and, if there is no PMA request, causes MIRB+ to go high indicating the I/O control has priority.

A central control request indicates that the processor is requesting a memory operation. When a central control request occurs, high CRQM+ and CABRT- signals are applied to the priority logic. If there are no requests from the PMA or I/O control, MCRB+ goes high indicating the central control has priority.

### 4.5.15 Control Logic 1

The control logic 1 produces various control and enabling signals.

Signals MASL1+ and MASL0+ are sent to the address multiplexer to control the address selection. The states of these signals are determined by the I/O control request IRQM- for I/O memory requests or by bits 2 and 3 of the IM field for processor memory requests.

Low MMIL-, MMIOL-, and MM1I- signals load data into the input latch, I/O latch, and instruction buffer, respectively. In addition to other requirements, one of the following two conditions is required before the three loading signals can go low: the memory acknowledgment signal YDNM+ is low, or a special data transfer occurs from the ALU to the instruction buffer and input latch (MHCA+, MRS3-, and MRQ- high).

MM1I- goes low when the processor has priority (MCRB+ and MRS1- high) and an input-latch loading operation is specified (MIMC1- high). MMIOL- goes low when the I/O control has priority (MIRB+ and MRS1- high). MM1I- goes low when IM-field bits 0 and 1 are both zero (MIMC1- and MIMC0- high) and the processor has priority (MCRB+ and MRS1- high). Another condition that causes MM1I- to go low is when the contents of the program counter and the memory address are equal, and MIMC1+ is high.

A low MDNC- is applied to clock control circuits in the central control to inhibit processor clocks until a memory acknowledgment is received if a wait for memory done is specified. MDNC- goes high to disable the clocks when the processor has priority (MCRB+ high) and the control sequencer is in state 2 (MRS2+ high).

A high MDBE+ is applied to the data drivers to transfer data onto the memory data bus. MDBE+ goes high when one of the following conditions occur:

- I/O control has priority (MIRB+ high) and an I/O writing operation is specified (MIOW+ high).
- Processor has priority (MCRB+ high), and a processor writing operation is specified (MIMC1- low) or the special data transfer from the ALU to the instruction buffer is specified (MCDTC- low).

### 4.5.16 Control Logic 2

The control logic 2 stores IM-field data and generates processor clocks. Two flip-flops (MIMC0 and MIMC1) store the contents of the IM-field bits 0 and 1 when the processor is requesting a memory operation (COVRM+ and CABRT- are high for a memory request, or MRS1+ and MRS3+ are low for an override condition). The flip-flop outputs are used by the writing drivers and control logic 1 circuits.

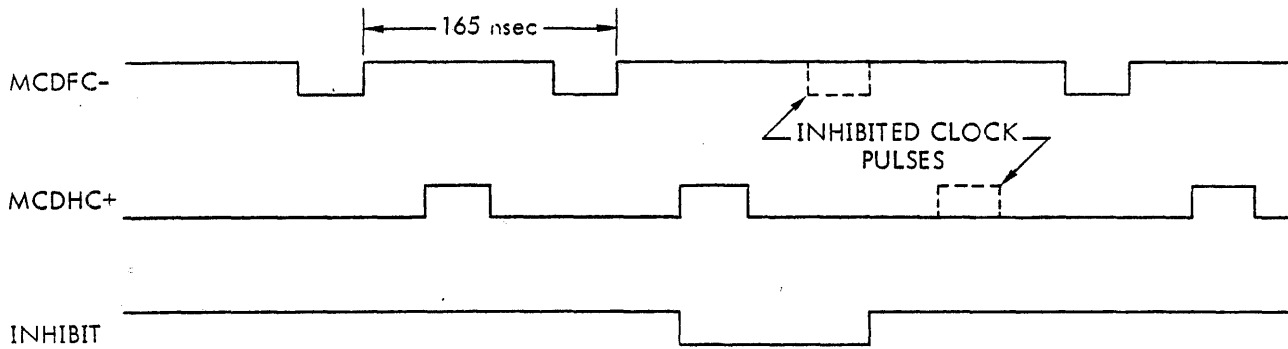
Full and half clock signals (MCDFC- and MCDHC+) for the processor are produced by decoding appropriate states of phase A and B clock (MCPA and MCPB), and are inhibited if one of the following conditions occur:

- The processor has priority but the memory is busy (MCRP+ and MRS2+ are high).
- The processor is denied memory access because of a higher priority request (MCRP-, CRQM+, and CABRT- are high).
- Central control generates a low clock-disabling signal (CECKM- low).

After one of the above disabling conditions occur, a delay flip-flop allows an additional MCDHC+ pulse to be generated (figure 4-17).

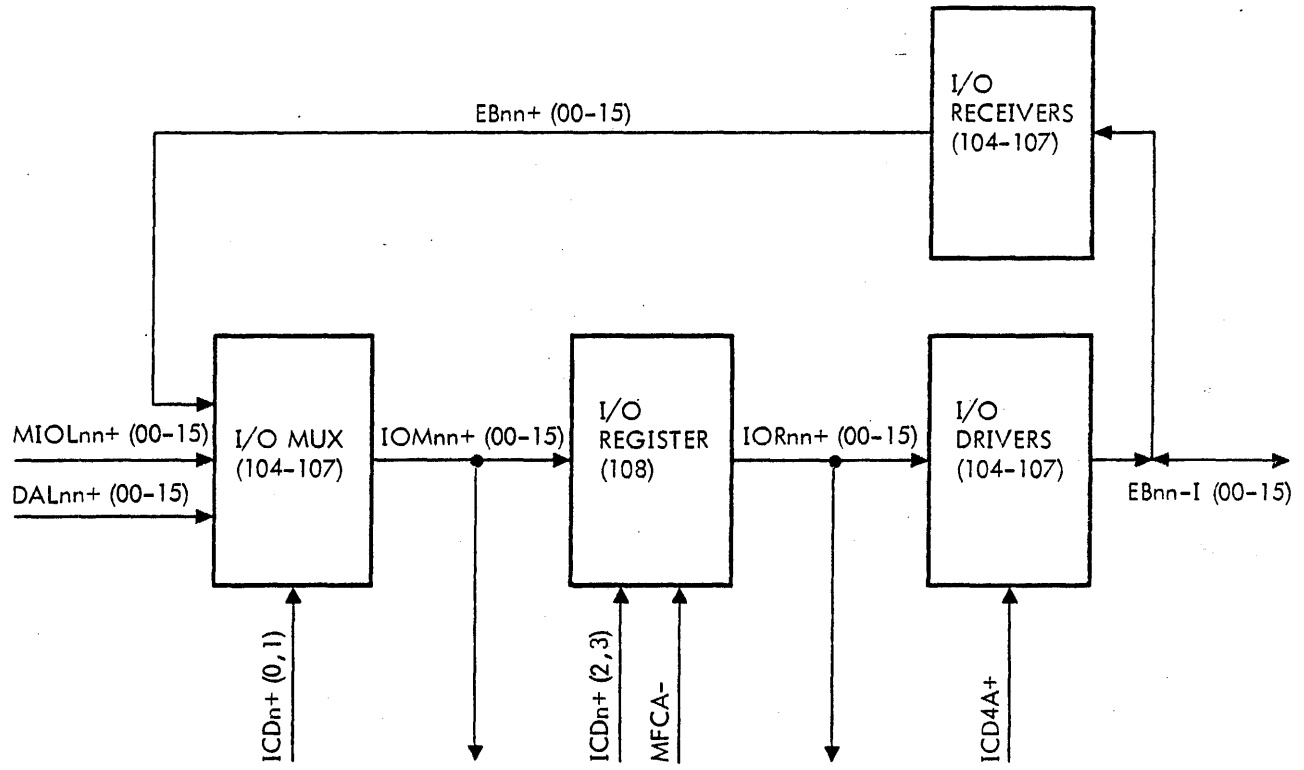
## 4.6 I/O DATA LOOP

The circuits of the I/O data loop are shown in the block diagram of figure 4-18. Page numbers of the processor logic diagram are provided in parentheses for each circuit block.



VTII-1626

Figure 4-17. Processor Clock Inhibiting



VTII-1627

Figure 4-18. I/O Data Loop Block Diagram

**THEORY OF OPERATION**

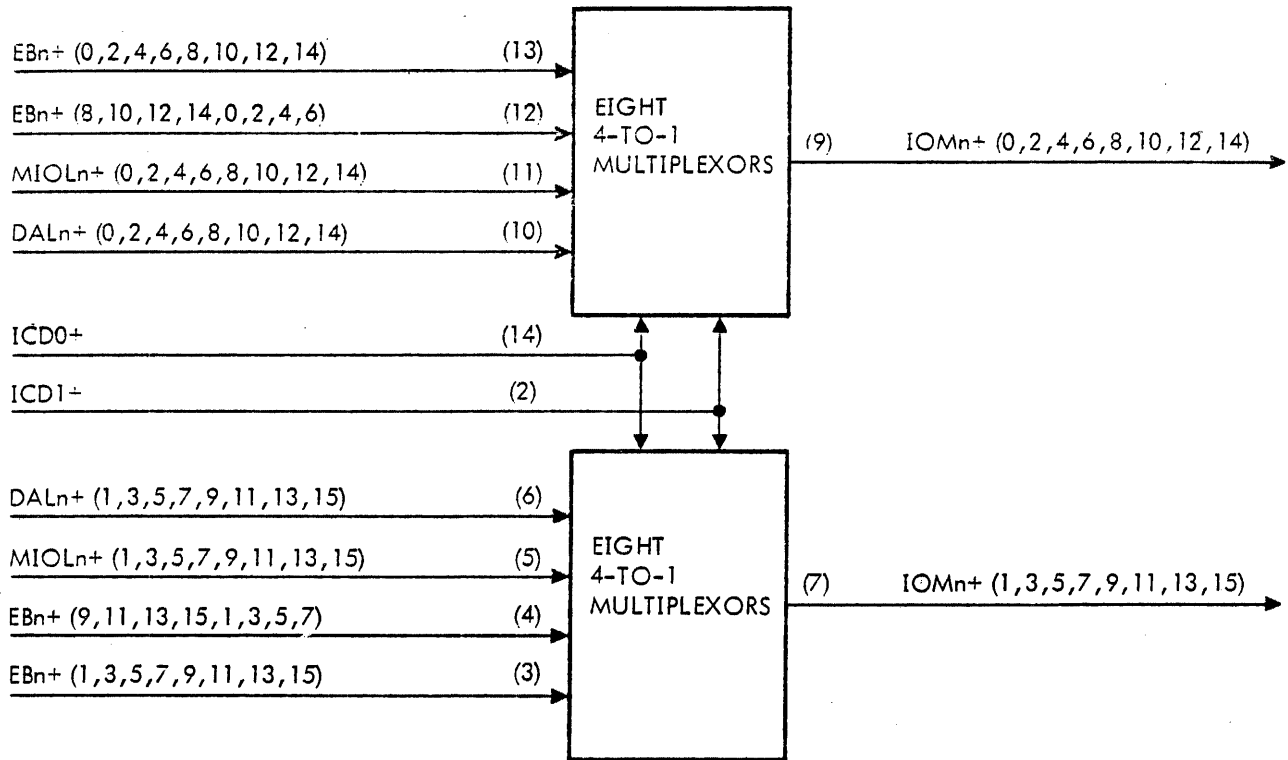
**4.6.1 I/O Multiplexor**

The I/O multiplexor, which consists of eight dual 4-to-1 multiplexor circuits (figure 4-19), selects data for the I/O register and for the data multiplexor in memory control. The data is selected from the following sources:

- a. I/O latch, MIOLn+ (0-15)
- b. ALU, DALn+ (0-15)
- c. I/O receivers, EBn+ (0-15)

Data from the I/O receivers are applied to the I/O multiplexor in normal and byte-shifted forms, that is, each of the multiplexor output bits can be selected from corresponding bits in either byte of the I/O data. For example, multiplexor output bit 0 can be selected from I/O data bits 0 or 8, the output bit 1 from bits 1 or 9, etc.

Selection of input data to the multiplexor is controlled by I/O control signals ICD0+ and ICD1+. Table 4-17 is a truth table for the I/O multiplexor.



NOTE: IC PIN NUMBERS ARE IN PARENTHESES

Figure 4-19. I/O Multiplexor Block Diagram

**Table 4-17. I/O Multiplexor Truth Table**

| CONTROL |    | INPUT DATA |      |      |      | OUTPUT |
|---------|----|------------|------|------|------|--------|
| PINS    |    | PINS       |      |      |      | PINS   |
| 2       | 14 | 6/10       | 5/11 | 4/12 | 3/13 | 7/9    |
| L       | L  | L          | X    | X    | X    | L      |
| L       | L  | H          | X    | X    | X    | H      |
| L       | H  | X          | L    | X    | X    | L      |
| L       | H  | X          | H    | X    | X    | H      |
| H       | L  | X          | X    | L    | X    | L      |
| H       | L  | X          | X    | H    | X    | H      |
| H       | H  | X          | X    | X    | L    | L      |
| H       | H  | X          | X    | X    | H    | H      |

NOTES: 1. L = LOW, H = HIGH, AND X = IRRELEVANT

2. REFER TO FIGURE 4-19 FOR THE SIGNALS ASSOCIATED WITH PIN NUMBERS IN THE ABOVE TABLE

VTII-1629

#### 4.6.2 I/O Register

The 16-bit I/O register stores data from the I/O multiplexor and applies it to the I/O drivers, to the B multiplexor in the data loop, and to the address multiplexor in memory control. Data is clocked into the register on the positive-going transition of full clock MFCA<sup>-</sup> or at MHCA<sup>+</sup> when the I/O requests a memory cycle (IRQM<sup>+</sup> high). The I/O register can operate in four modes that are selected by I/O control signals ICD2<sup>+</sup> and ICD3<sup>+</sup>. A hold mode inhibits the effect of the clock so that the register outputs are unchanged. On a single clock transition, byte-transfer modes transfer the left byte to the right byte position and the right byte to the left byte position (see figure 4-20). A loading mode loads data selected by the I/O multiplexor into the register. Table 4-18 lists the operating modes resulting from the various states of ICD2<sup>+</sup> and ICD3<sup>+</sup>.

**Table 4-18. I/O Register Modes**

| ICD2 <sup>+</sup> | ICD3 <sup>+</sup> | Mode                     |
|-------------------|-------------------|--------------------------|
| L                 | L                 | Hold                     |
| L                 | H                 | Left Byte to Right Byte  |
| H                 | L                 | Right Byte to Left Byte  |
| H                 | H                 | Load in multiplexor data |

#### 4.6.3 I/O Drivers and Receivers

Data is transferred to and from the bidirectional I/O data bus with I/O drivers and receivers. These drivers and receivers also invert the data.

When enabled with a high ICD4A<sup>+</sup> signal from the I/O control, the I/O drivers transfer data from the I/O register to the I/O data bus.

The I/O receivers apply I/O bus data to the I/O multiplexor.

#### 4.7 I/O CONTROL

This section consists of circuit descriptions followed by the various I/O operations. The I/O circuits are grouped as follows:

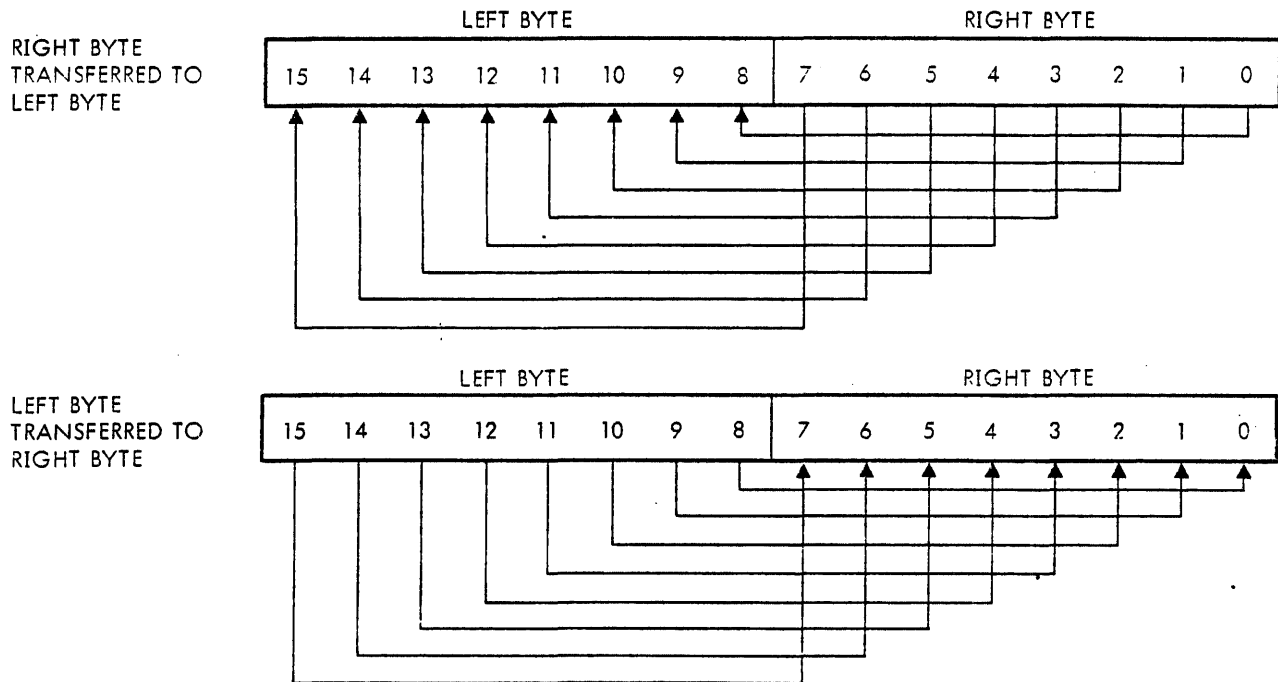
- a. Microinstruction Sequencing
- b. Decoding and Sequencing Control
- c. Interrupt and DMA Control
- d. I/O Data-Loop Control
- e. Processor-I/O Control
- f. Drivers, Receivers, and Miscellaneous Control

The I/O operations consist of:

- a. Programmed I/O
- b. Interrupt
- c. Normal DMA
- d. High-Speed DMA

The I/O Control circuits are located on the option board (44P0619). Logic diagrams for these circuits are on sheets 3.0 through 3.11 of drawing 91B0401 (provided in the System Maintenance Manual). Page numbers of the option

## THEORY OF OPERATION



VT11-1630

Figure 4-20. Byte-Transfer Modes of I/O Register

board logic diagrams are provided in parentheses in the block diagrams that follow. For a description of the external I/O interface signals, refer to the Input/Output section of the applicable system handbook.

### 4.7.1 Microinstruction Sequencing

All I/O operations are performed through a sequence of microinstructions. Implementation of these sequences is accomplished with the address selector, address counter, I/O control store, and buffer. Figure 4-21 shows how these circuits are related to each other. A description of each circuit is provided in the following subsections.

#### 4.7.1.1 Address Selector

Under control of the control logic, the address selector selects an I/O control-store address to initiate an I/O operation. The address is selected from either central control or the trap-address generator (for DMA operations). A low I/DLE- enables the address selector. The address selector selects an address from central control when IMXAD+ is high and from the trap-address generator when IMXAD+ is low. The selected 8-bit address is applied to the address counter.

#### 4.7.1.2 Address Counter

The address counter provides sequential addresses for the I/O control store. An I/O operation begins when the selected address (from the address selector) is loaded into

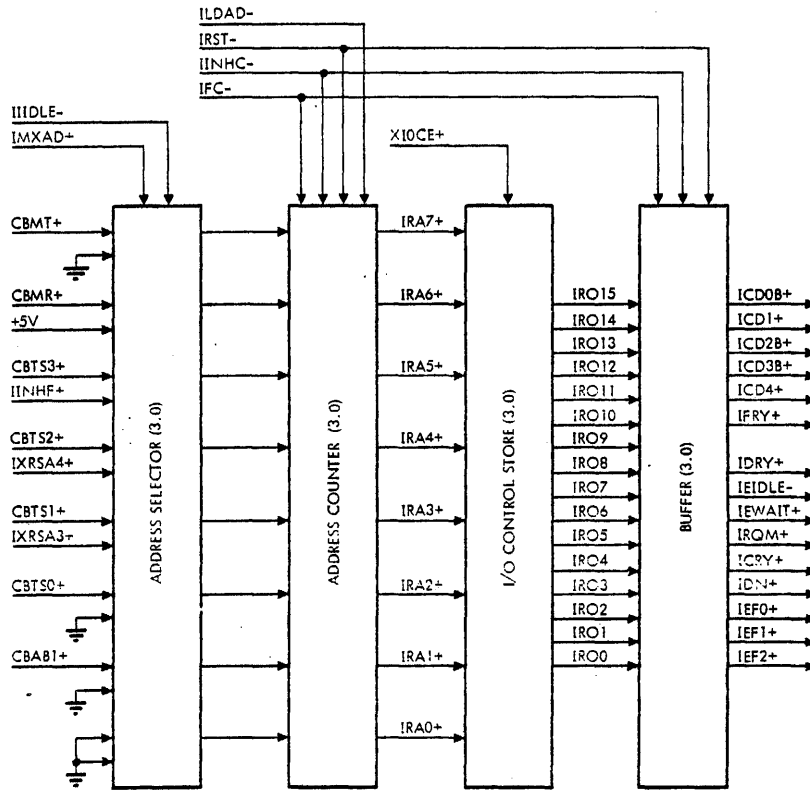
the address counter with the positive-going transition of IFC- (when ILDAD- is low). The counter is then incremented with each positive-going transition of IFC- (when IINH- is high) to provide the sequential addresses for an entire I/O operation. The next to last microinstruction of any I/O operation produces a low IE/DLE- to prevent further incrementing of the address counter.

#### 4.7.1.3 I/O Control Store

The I/O control store is a 256-word by 16-bit high-speed ROM (figure 4-22). It contains the microinstructions that control timing and sequencing for all I/O operations. When an address IRAn + (0-7) is received, the I/O control store applies the addressed data IROn(0-15) to the buffer. The I/O control store can be disabled with a low XIOCE- when an external I/O control store is used. For a list of the binary codes contained at each address of the I/O control store, refer to documents 49A0195-000 and 49A0195-001 in the System Maintenance Manual.

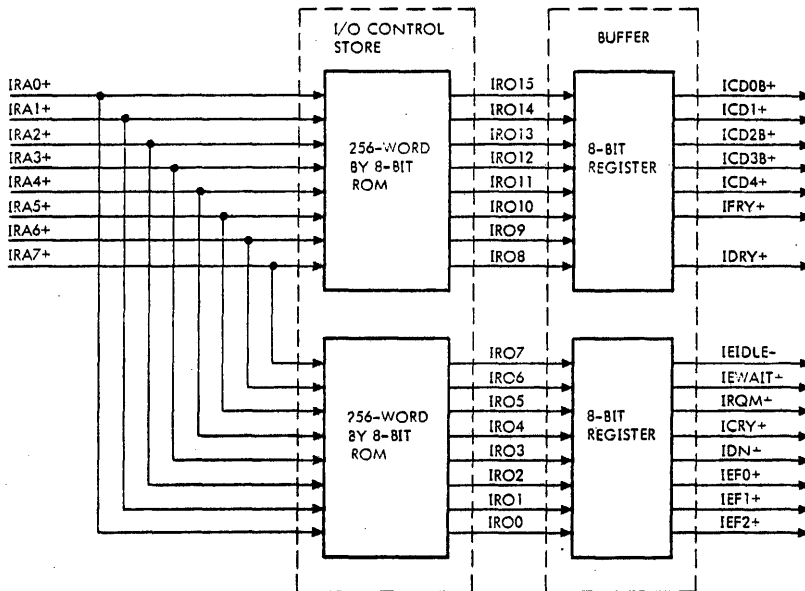
#### 4.7.1.4 Buffer

The buffer consists of a 16-bit register that permits overlapping of microinstruction executions and access of the next microinstruction. Its outputs control all I/O operations and enable new I/O tasks when the current operation is completed. The format for the I/O control-store word is defined in figure 4-23. The buffer output states and control store addresses for the various I/O operations are listed in tables 4-19 through 4-26.



VT11-1647A

Figure 4-21. Microinstruction-Sequencing Circuits

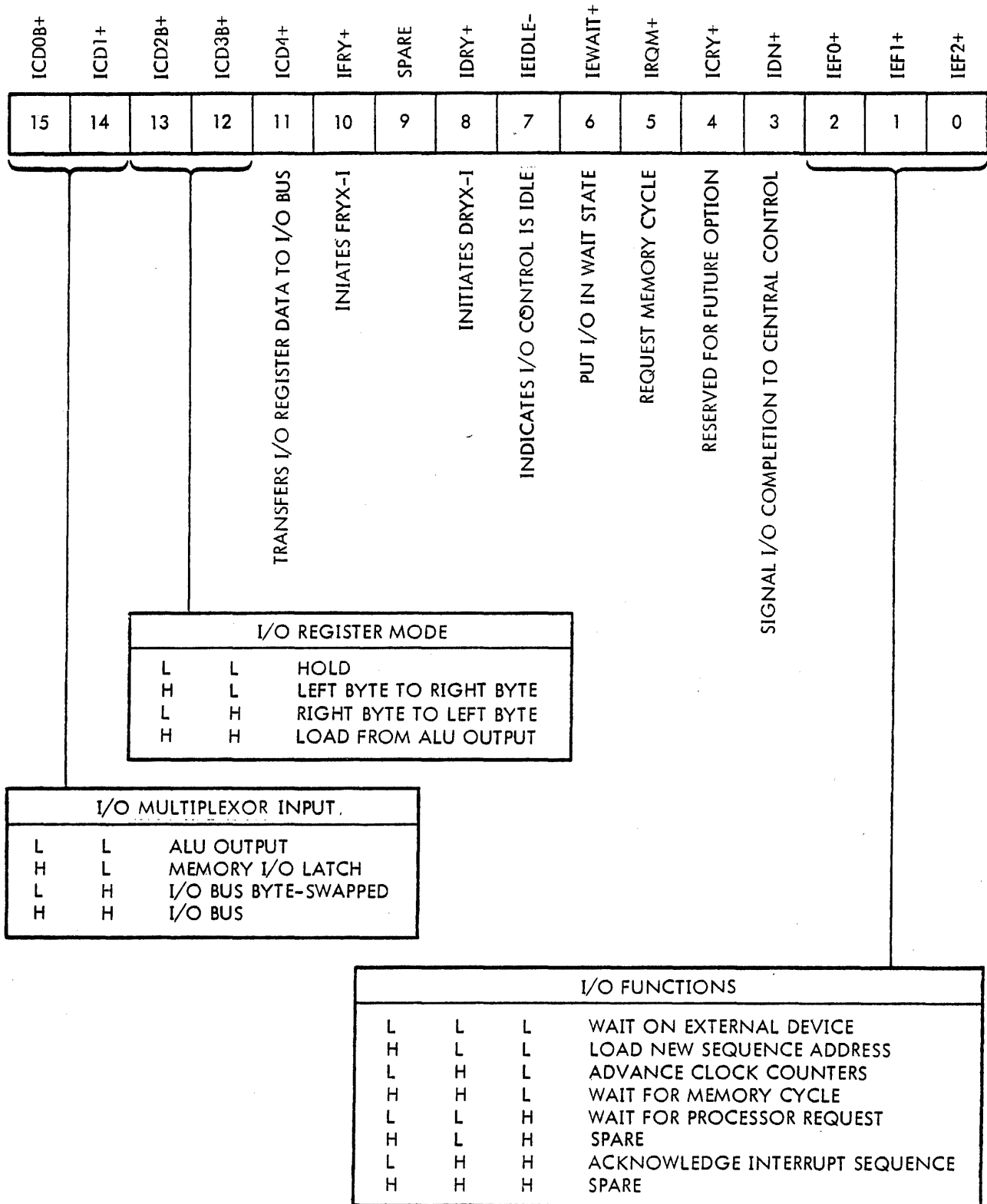


VT11-1648A

NOTE: CONTROL SIGNALS ARE NOT SHOWN

Figure 4-22. I/O Control Store and Buffer Block Diagram

THEORY OF OPERATION



VTII-1649A

Figure 4-23. I/O Control-Store Word Format

Table 4-19. Programmed I/O for SEN, EXC, and EXC2 Instructions

| I/O CONTROL STORE ADDRESS |             | BUFFER OUTPUTS |       |        |        |       |       |       |       |         |         |       |       |      |       |       |       |
|---------------------------|-------------|----------------|-------|--------|--------|-------|-------|-------|-------|---------|---------|-------|-------|------|-------|-------|-------|
| DECIMAL                   | HEXADECIMAL | ICD0B+         | ICD1+ | ICD2B+ | ICD3B+ | ICD4+ | IFRY+ | SPARE | IDRY+ | IEIDLE- | IEWAIT+ | IRQM+ | ICRY+ | IDN+ | IEF0+ | IEF1+ | IEF2+ |
| 0                         | 0           | L              | L     | L      | L      | L     | L     | L     | L     | H       | L       | L     | L     | H    | L     | L     | L     |
| 4                         | 4           | L              | L     | H      | H      | L     | L     | L     | L     | H       | L       | L     | L     | H    | L     | L     | L     |
| 5                         | 5           | L              | L     | L      | L      | L     | L     | L     | L     | H       | L       | L     | L     | H    | L     | L     | L     |
| 6                         | 6           | L              | L     | L      | L      | H     | L     | L     | L     | H       | L       | L     | L     | H    | L     | L     | L     |
| 7                         | 7           | L              | L     | L      | L      | H     | H     | L     | L     | H       | L       | L     | L     | H    | L     | L     | L     |
| 8                         | 8           | L              | L     | L      | L      | H     | H     | L     | L     | H       | L       | L     | L     | H    | L     | L     | H     |
| 9                         | 9           | L              | L     | L      | L      | L     | L     | L     | L     | L       | L       | L     | L     | L    | L     | L     | L     |
| 10                        | A           | L              | L     | L      | L      | L     | L     | L     | L     | H       | L       | L     | L     | H    | L     | L     | L     |

- NOTES: 1. L = LOW, H = HIGH  
 2. ADDRESS ZERO IS THE RESET STATE

VT11-1650A

Table 4-20. Programmed I/O, Input-Data Transfer

| I/O CONTROL STORE ADDRESS |             | BUFFER OUTPUTS |       |        |        |       |       |       |       |         |         |       |       |      |       |       |       |
|---------------------------|-------------|----------------|-------|--------|--------|-------|-------|-------|-------|---------|---------|-------|-------|------|-------|-------|-------|
| DECIMAL                   | HEXADECIMAL | ICD0B+         | ICD1+ | ICD2B+ | ICD3B+ | ICD4+ | IFRY+ | SPARE | IDRY+ | IEIDLE- | IEWAIT+ | IRQM+ | ICRY+ | IDN+ | IEF0+ | IEF1+ | IEF2+ |
| 12                        | C           | L              | L     | H      | H      | L     | L     | L     | L     | H       | L       | L     | L     | H    | L     | L     | L     |
| 13                        | D           | L              | L     | L      | L      | L     | L     | L     | L     | H       | L       | L     | L     | H    | L     | L     | L     |
| 14                        | E           | L              | L     | L      | L      | H     | L     | L     | L     | H       | L       | L     | L     | H    | L     | L     | L     |
| 15                        | F           | L              | L     | L      | L      | H     | H     | L     | L     | H       | L       | L     | L     | H    | L     | L     | L     |
| 16                        | 10          | L              | L     | L      | L      | H     | H     | L     | L     | H       | L       | L     | L     | H    | L     | L     | L     |
| 17                        | 11          | H              | H     | L      | L      | L     | L     | L     | L     | H       | L       | L     | L     | H    | L     | L     | L     |
| 18                        | 12          | H              | H     | L      | L      | L     | L     | L     | H     | H       | L       | L     | L     | H    | L     | L     | L     |
| 19                        | 13          | H              | H     | H      | H      | L     | L     | L     | H     | H       | L       | L     | L     | L    | L     | L     | L     |
| 20                        | 14          | L              | L     | L      | L      | L     | L     | L     | L     | L       | L       | L     | L     | L    | L     | L     | L     |
| 21                        | 15          | L              | L     | L      | L      | L     | L     | L     | L     | H       | L       | L     | L     | H    | L     | L     | L     |

- NOTE: L = LOW, H = HIGH

VT11-1651



Table 4-21. Programmed I/O, Output-Data Transfer

| I/O CONTROL STORE ADDRESS |             | BUFFER OUTPUTS |       |        |        |       |       |       |       |         |         |       |       |      |       |       |       |
|---------------------------|-------------|----------------|-------|--------|--------|-------|-------|-------|-------|---------|---------|-------|-------|------|-------|-------|-------|
| DECIMAL                   | HEXADECIMAL | ICD0B+         | ICD1+ | ICD2B+ | ICD3B+ | ICD4+ | IFRY+ | SPARE | IDRY+ | IEIDLE- | IEWAIT+ | IRQM+ | ICRY+ | IDN+ | IEF0+ | IEF1+ | IEF2+ |
| 28                        | 1C          | L              | L     | H      | H      | L     | L     | L     | L     | H       | L       | L     | L     | L    | L     | L     | L     |
| 29                        | 1D          | L              | L     | L      | L      | L     | L     | L     | L     | H       | L       | L     | L     | L    | L     | L     | L     |
| 30                        | 1E          | L              | L     | L      | L      | H     | L     | L     | L     | H       | L       | L     | L     | H    | L     | L     | L     |
| 31                        | 1F          | L              | L     | L      | L      | H     | H     | L     | L     | H       | L       | L     | L     | H    | L     | L     | L     |
| 32                        | 20          | L              | L     | H      | H      | H     | H     | L     | L     | H       | L       | L     | L     | H    | L     | L     | L     |
| 33                        | 21          | L              | L     | L      | L      | H     | L     | L     | L     | H       | L       | L     | L     | H    | L     | L     | L     |
| 34                        | 22          | L              | L     | L      | L      | H     | L     | L     | H     | H       | L       | L     | L     | H    | L     | L     | L     |
| 35                        | 23          | L              | L     | L      | L      | H     | L     | L     | H     | H       | L       | L     | L     | H    | L     | L     | L     |
| 36                        | 24          | L              | L     | L      | L      | L     | L     | L     | L     | L       | L       | L     | L     | L    | L     | L     | L     |
| 37                        | 25          | L              | L     | L      | L      | L     | L     | L     | L     | H       | L       | L     | L     | H    | L     | L     | L     |

NOTE: L = LOW, H = HIGH

VTII-1652

Table 4-22. DMA, Trap-Out Operation

| I/O CONTROL STORE ADDRESS |             | BUFFER OUTPUTS |       |        |        |       |       |       |       |         |         |       |       |      |       |       |       |
|---------------------------|-------------|----------------|-------|--------|--------|-------|-------|-------|-------|---------|---------|-------|-------|------|-------|-------|-------|
| DECIMAL                   | HEXADECIMAL | ICD0B+         | ICD1+ | ICD2B+ | ICD3B+ | ICD4+ | IFRY+ | SPARE | IDRY+ | IEIDLE- | IEWAIT+ | IRQM+ | ICRY+ | IDN+ | IEF0+ | IEF1+ | IEF2+ |
| 64                        | 40          | H              | H     | L      | L      | L     | L     | L     | L     | H       | L       | L     | L     | L    | L     | H     | H     |
| 65                        | 41          | H              | H     | L      | L      | L     | H     | L     | L     | H       | L       | L     | L     | L    | L     | L     | L     |
| 66                        | 42          | H              | H     | H      | H      | L     | H     | L     | L     | H       | L       | L     | L     | L    | L     | L     | L     |
| 67                        | 43          | L              | L     | L      | L      | L     | L     | L     | L     | H       | H       | H     | L     | L    | H     | H     | L     |
| 68                        | 44          | H              | L     | H      | H      | L     | L     | L     | L     | H       | H       | L     | L     | L    | H     | H     | L     |
| 69                        | 45          | L              | L     | L      | L      | H     | L     | L     | L     | H       | L       | L     | L     | L    | L     | L     | L     |
| 70                        | 46          | L              | L     | L      | L      | H     | L     | L     | H     | H       | L       | L     | L     | L    | L     | L     | L     |
| 71                        | 47          | L              | L     | L      | L      | H     | L     | L     | H     | H       | L       | L     | L     | L    | L     | H     | L     |
| 72                        | 48          | L              | L     | L      | L      | L     | L     | L     | L     | L       | L       | L     | L     | L    | L     | L     | L     |
| 73                        | 49          | L              | L     | L      | L      | L     | L     | L     | L     | H       | L       | L     | L     | H    | L     | L     | L     |

NOTE: L = LOW, H = HIGH

VTII-1653

Table 4-23. DMA, Trap-In Operation

| I/O CONTROL STORE ADDRESS |             | BUFFER OUTPUTS |       |        |        |       |       |       |       |         |         |       |       |      |       |       |       |
|---------------------------|-------------|----------------|-------|--------|--------|-------|-------|-------|-------|---------|---------|-------|-------|------|-------|-------|-------|
| DECIMAL                   | HEXADECIMAL | ICD0B+         | ICD1+ | ICD2B+ | ICD3B+ | ICD4+ | IFRY+ | SPARE | IDRY+ | IEIDLE- | IEWAIT+ | IRQM+ | ICRY+ | IDN+ | IEF0+ | IEF1+ | IEF2+ |
| 80                        | 50          | H              | H     | L      | L      | L     | L     | L     | L     | H       | L       | L     | L     | L    | L     | H     | H     |
| 81                        | 51          | H              | H     | L      | L      | L     | H     | L     | L     | H       | L       | L     | L     | L    | L     | L     | L     |
| 82                        | 52          | H              | H     | H      | H      | L     | H     | L     | L     | H       | L       | L     | L     | L    | L     | L     | L     |
| 83                        | 53          | L              | L     | L      | L      | L     | L     | L     | L     | H       | L       | L     | L     | L    | L     | L     | L     |
| 84                        | 54          | L              | L     | L      | L      | L     | L     | L     | L     | H       | L       | L     | L     | L    | L     | L     | L     |
| 85                        | 55          | H              | H     | L      | L      | L     | L     | L     | L     | H       | H       | H     | L     | L    | H     | H     | L     |
| 86                        | 56          | H              | H     | L      | L      | L     | L     | L     | L     | H       | H       | L     | L     | L    | H     | H     | L     |
| 87                        | 57          | H              | H     | L      | L      | L     | L     | L     | L     | H       | H       | L     | L     | L    | H     | H     | L     |
| 88                        | 58          | H              | H     | L      | L      | L     | L     | L     | H     | H       | H       | L     | L     | L    | H     | H     | L     |
| 89                        | 59          | L              | L     | L      | L      | L     | L     | L     | L     | L       | L       | L     | L     | L    | L     | L     | L     |
| 90                        | 5A          | L              | L     | L      | L      | L     | L     | L     | L     | H       | L       | L     | L     | H    | L     | L     | L     |

NOTE: L = LOW, H = HIGH

VT11-1654

Table 4-24. High-Speed DMA, Trap-Out Operation

| I/O CONTROL STORE ADDRESS |             | BUFFER OUTPUTS |       |        |        |       |       |       |       |         |         |       |       |      |       |       |       |
|---------------------------|-------------|----------------|-------|--------|--------|-------|-------|-------|-------|---------|---------|-------|-------|------|-------|-------|-------|
| DECIMAL                   | HEXADECIMAL | ICD0B+         | ICD1+ | ICD2B+ | ICD3B+ | ICD4+ | IFRY+ | SPARE | IDRY+ | IEIDLE- | IEWAIT+ | IRQM+ | ICRY+ | IDN+ | IEF0+ | IEF1+ | IEF2+ |
| 96                        | 60          | H              | H     | H      | H      | L     | H     | L     | L     | H       | H       | H     | L     | L    | L     | H     | H     |
| 97                        | 61          | L              | L     | L      | L      | L     | L     | L     | L     | H       | H       | L     | L     | L    | L     | L     | L     |
| 98                        | 62          | H              | L     | H      | H      | H     | L     | L     | H     | H       | H       | L     | L     | L    | L     | H     | H     |
| 99                        | 63          | L              | L     | L      | L      | H     | L     | L     | H     | H       | H       | L     | L     | L    | L     | H     | H     |
| 100                       | 64          | L              | L     | L      | L      | L     | L     | L     | L     | L       | L       | L     | L     | L    | L     | L     | L     |
| 101                       | 65          | L              | L     | L      | L      | L     | L     | L     | L     | H       | L       | L     | L     | H    | L     | L     | L     |

NOTE: L = LOW, H = HIGH

VT11-1655

Table 4-25. High-Speed DMA, Trap-In Operation

| I/O CONTROL STORE ADDRESS |             | BUFFER OUTPUTS |       |        |        |       |       |       |       |         |         |       |       |      |       |       |       |
|---------------------------|-------------|----------------|-------|--------|--------|-------|-------|-------|-------|---------|---------|-------|-------|------|-------|-------|-------|
| DECIMAL                   | HEXADECIMAL | ICD0B+         | ICD1+ | ICD2B+ | ICD3B+ | ICD4+ | IFRY+ | SPARE | IDRY+ | IEIDLE- | IEWAIT+ | IRQM+ | ICRY+ | IDN+ | IEF0+ | IEF1+ | IEF2+ |
| 112                       | 70          | H              | H     | H      | H      | L     | H     | L     | L     | H       | H       | H     | L     | L    | L     | H     | H     |
| 113                       | 71          | H              | H     | L      | L      | L     | L     | L     | L     | H       | L       | L     | L     | L    | L     | L     | L     |
| 114                       | 72          | H              | H     | L      | L      | L     | L     | L     | H     | H       | H       | L     | L     | L    | H     | H     | H     |
| 115                       | 73          | L              | L     | L      | L      | L     | L     | L     | L     | H       | L       | L     | L     | L    | L     | H     | L     |
| 116                       | 74          | L              | L     | L      | L      | L     | L     | L     | L     | L       | L       | L     | L     | L    | L     | L     | L     |
| 117                       | 75          | L              | L     | L      | L      | L     | L     | L     | L     | H       | L       | L     | L     | H    | L     | L     | L     |

NOTE: L = LOW, H = HIGH

VT11-1656

Table 4-26. I/O Interrupt Operation

| I/O CONTROL STORE ADDRESS |             | BUFFER OUTPUTS |       |        |        |       |       |       |       |         |         |       |       |      |       |       |       |
|---------------------------|-------------|----------------|-------|--------|--------|-------|-------|-------|-------|---------|---------|-------|-------|------|-------|-------|-------|
| DECIMAL                   | HEXADECIMAL | ICD0B+         | ICD1+ | ICD2B+ | ICD3B+ | ICD4+ | IFRY+ | SPARE | IDRY+ | IEIDLE- | IEWAIT+ | IRQM+ | ICRY+ | IDN+ | IEF0+ | IEF1+ | IEF2+ |
| 220                       | DC          | H              | H     | L      | L      | L     | L     | L     | L     | H       | L       | L     | L     | H    | L     | H     | H     |
| 221                       | DD          | H              | H     | L      | L      | L     | H     | L     | L     | H       | L       | L     | L     | H    | L     | L     | L     |
| 222                       | DE          | H              | H     | H      | H      | L     | H     | L     | L     | H       | H       | L     | L     | L    | L     | L     | L     |
| 223                       | DF          | L              | L     | L      | L      | L     | L     | L     | L     | H       | H       | L     | L     | L    | L     | L     | L     |
| 224                       | E0          | L              | L     | L      | L      | L     | L     | L     | H     | H       | L       | L     | L     | L    | L     | L     | L     |
| 225                       | E1          | L              | L     | L      | L      | L     | L     | L     | H     | H       | L       | L     | L     | L    | L     | H     | L     |
| 226                       | E2          | L              | L     | L      | L      | L     | L     | L     | L     | H       | L       | L     | L     | L    | L     | L     | L     |
| 227                       | E3          | L              | L     | L      | L      | L     | L     | L     | L     | H       | L       | L     | L     | L    | L     | L     | L     |
| 228                       | E4          | L              | L     | L      | L      | L     | L     | L     | L     | H       | L       | L     | L     | L    | L     | L     | L     |
| 229                       | E5          | L              | L     | L      | L      | L     | L     | L     | L     | L       | L       | L     | L     | L    | L     | L     | L     |
| 230                       | E6          | L              | L     | L      | L      | L     | L     | L     | L     | H       | L       | L     | L     | H    | L     | L     | L     |

NOTE: L = LOW, H = HIGH

VT11-1657

## 4.7.2 Decoding and Sequencing Control

The decoding and sequencing control (figure 4-24) decodes the I/O function field of the I/O control-store word, and supplies control signals to the microinstruction-sequencing circuits and to several other I/O control circuits.

### 4.7.2.1 Address-Counter Loading Control

This circuit provides the loading signal (ILDAD $-$ ) for the address counter. ILDAD $-$  is active (low) when the buffer specifies an idle condition (IEIDLE $+$  high) or a waiting condition is specified and a new address is to be loaded (IEWAIT $+$  and ID1 $+$  high). Loading of the address counter occurs when ILDAD $-$  is low and the I/O clock (IFC $-$ ) is not inhibited by the clock inhibitor signal (IINH $-$ ).

### 4.7.2.2 Address Selector Control

This circuit provides the selector signal (IMXAD $+$ ) for the address selector circuit. When IMXAD $+$  is low, a trap address is selected (for normal or high-speed DMA). IMXAD $+$  goes low during a trap sampling time if an external device (usually a buffered interface controller) requests a DMA operation. Trap sampling for a normal DMA operation occurs when IESMP $+$  is high, and for high-speed DMA operations when IEIDLE $+$  and ICD are high. At all other times, the selector signal IMXAD $+$  is high and a central control address is selected.

### 4.7.2.3 Clock Inhibitor

This circuit provides a clock inhibitor signal (IINH $-$ ) that inhibits loading of the address counter and buffer. IINH $-$  is active (low) when there is no I/O activity (IEIDLE $+$  and IIDLE $-$  high) or the I/O control is waiting for the central control to complete an operation. The waiting conditions are:

- Waiting for the central control to respond (CRQIO $+$  high)
- Waiting for the memory control to respond to a request for a trap memory cycle (MAKIO $+$  high).
- Waiting for the central control to complete an interrupt service routine (IINTF $+$  high).

### 4.7.2.4 I/O Function Decoder

This circuit provides various control signals by decoding the three I/O function bits IEFn $+$  (0-2).

### 4.7.2.5 Inhibit-Idle Control

This circuit can override the clock inhibitor IINH $-$  by generating a low inhibit-idle signal IIDLE $-$ . The inhibit-idle signal is also used to enable the address selector. IIDLE $-$

is activated (low) during one of the sample times (IESMP $+$  or ICD $+$  high) if one of the following conditions occur:

- A normal trap operation (DMA) is requested (ITRPN $+$  high).
- Central control requests an interrupt operation (IDCIR $+$  and CRQIO $+$  high).
- Programmed I/O operation is requested (IDCIR $-$  and CRQIO $+$  high).
- A high-speed trap operation (DMA) is requested (ITRPF $+$  high).

## 4.7.3 Interrupt and DMA Control

The interrupt and DMA control (figure 4-25) performs the following functions:

- Generates and controls the interrupt clocks (IUCX-I and IUCF-I)
- Supplies input signals to the sample control logic
- Generates interrupt acknowledgments (IUAX-I and IUAF-I)
- Generates the I/O interrupt flag (IINTF $+$ )

### 4.7.3.1 Interrupt Clock Generator

This circuit generates the ICA $-$  and ICD $+$  clocks which are sent to I/O bus drivers to become the normal and high-speed clocks IUCX-I and IUCF-I.

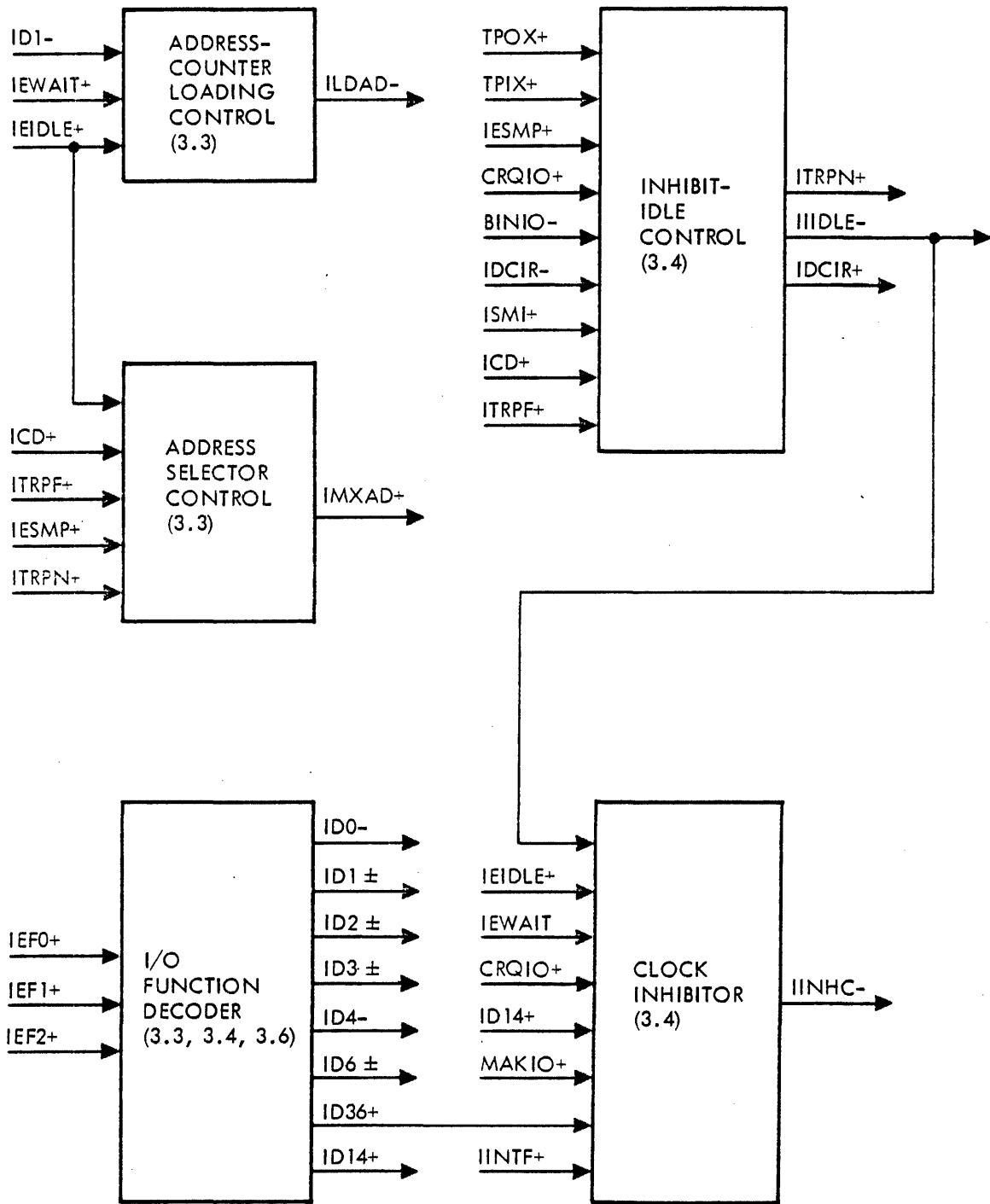
The period of the normal interrupt clock (IUCX-I) is jumper selectable at either 660 or 990 nanoseconds. Selection depends on the length of the priority chain in the system (for a description of the priority system, refer to the Input/Output Section of the applicable system handbook).

The period of the high-speed clock (IUCF-I) is fixed at 330 nanoseconds. This clock is used during high-speed DMA operations.

### 4.7.3.2 Sample Control Logic

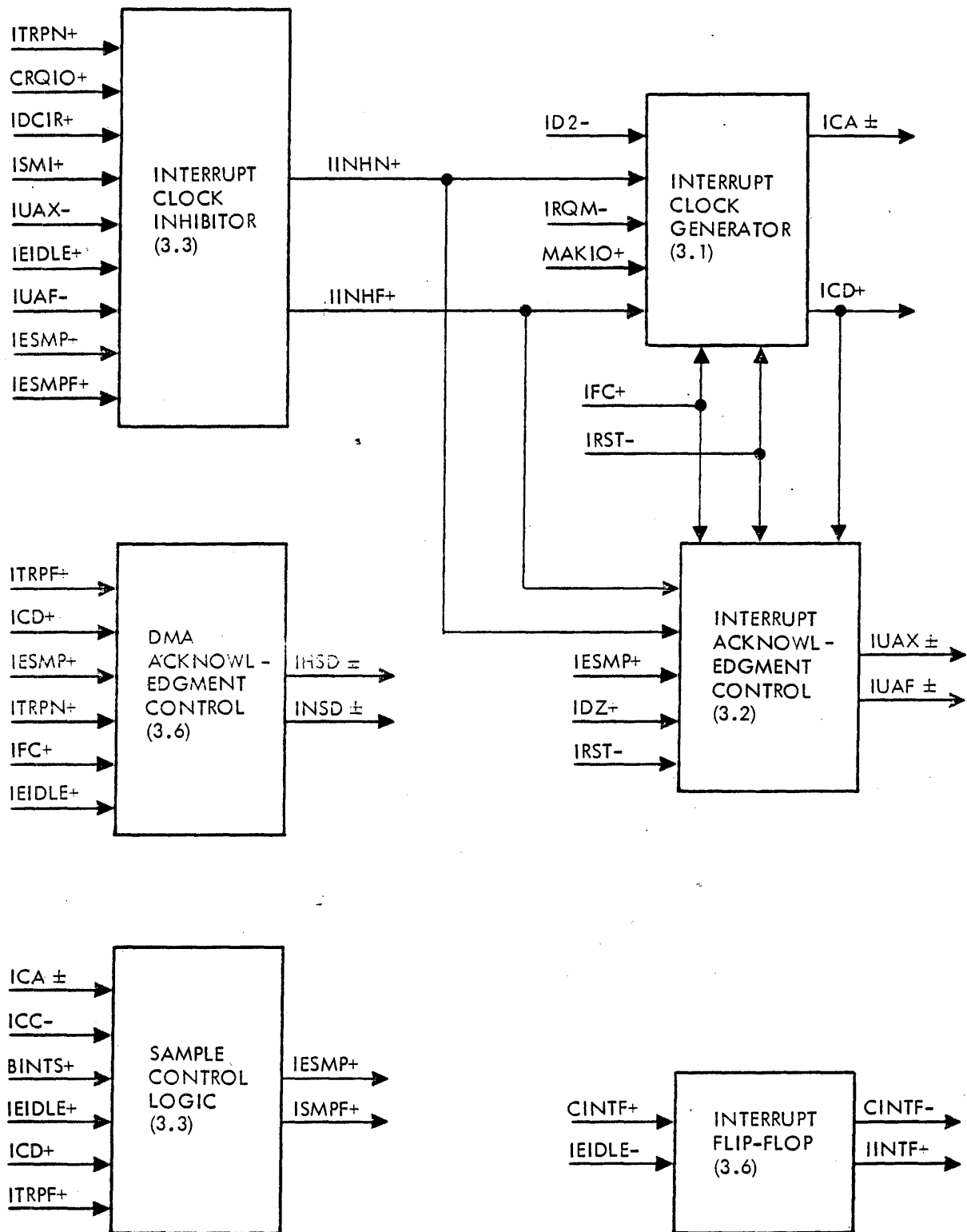
This circuit provides the following signals

- IESMP $+$ . When there is no I/O activity, (IEIDLE $+$  high) IESMP $+$  samples normal DMA or interrupt requests to determine if they occur during the proper phase (ICA $-$  high) of the interrupt clock (IUCX-I). IESMP $+$  also tests for I/O requests from the central control.
- ISMPF $+$ . When there is no I/O activity (IEIDLE high), ISMPF $+$  samples high-speed DMA requests to determine if they occur during the proper phase (ICD $+$  high) of the high-speed interrupt clock (IUCF-I).



VT11-2158

Figure 4-24. Decoding and Sequencing Control



VT11-2159

Figure 4-25. Interrupt and DMA Control

### 4.7.3.3 Interrupt Acknowledgment Control

This circuit consists of two flip-flops that provide the normal and high-speed interrupt acknowledgments IUAX and IUAF. These signals are used in the I/O control circuits and are also routed through I/O drivers to the I/O bus (IUAX-I and IUAF-I)

### 4.7.3.4 Interrupt Flip-Flop

When CINTF+ goes high, the interrupt flip-flop is set (IINTF+ high) indicating the central control has completed its interrupt service routine and that the I/O control can continue processing and complete its interrupt routine.

### 4.7.3.5 Interrupt Clock Inhibitor

This circuit provides two interrupt clock inhibitors: a high IINH+ inhibits the normal clock (IUCX-I) and a high IINHf+ inhibits the high-speed clock (IUCF-I).

IINH+ goes high during a sampling time (IESMP+ high) if one of the following conditions occur:

- a. A normal DMA operation is requested (ITRPN+ high).
- b. An interrupt sequence is acknowledged by the central control (CRQIO+ high).

Both the above conditions are inhibited if a high-speed DMA operation is requested. This is accomplished by disabling IESMP+ during the high-speed sampling time (ICD+ and ITRPF+ high). IINH+ also remains high (if a normal DMA or interrupt is recognized) as long as the interrupt acknowledgment is set (IUAX- low).

IINHf+ goes high if a high-speed DMA request is made (ITRPF+ high) during a sampling time (IEIDLE+ and ICD+ high). Normal DMA operations cannot override high-speed DMA operations. When a high-speed request is accepted, IINHf+ remains high as long as the high-speed interrupt acknowledgment is set (IUAF- low).

### 4.7.3.6 DMA Acknowledgment Control

This circuit consists of two flip-flops that indicate if a DMA request has been sampled and accepted by the I/O control. A high INSD+ acknowledges normal DMA requests and a high IHSD+ acknowledges high-speed DMA requests.

### 4.7.4 I/O Data-Loop Control

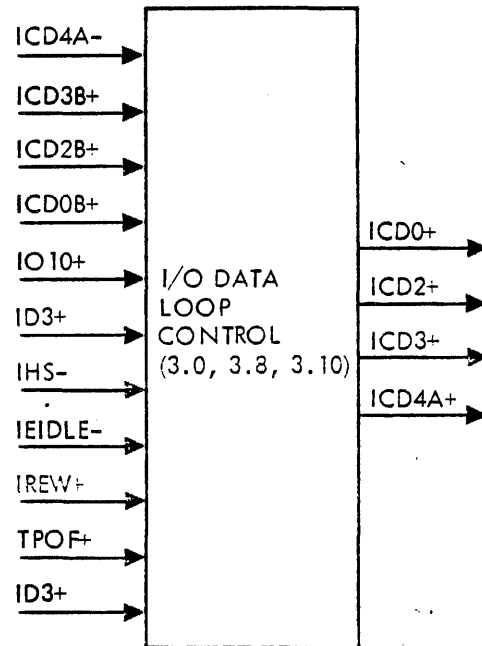
This circuit (figure 4-26) provides control signals for the I/O data loop.

ICD0+ is used in the selection of input data for the I/O multiplexor (section 4.6.1).

ICD2+ and ICD3+ determine the operating modes of the I/O register (section 4.6.2).

ICD4A+ enables the I/O drivers (section 4.6.3) to transfer data from the I/O register to the I/O bus.

Functions of the above signals are summarized in the I/O control-store word format in figure 4-23.



VT11-2160

Figure 4-26. I/O Data Loop Control

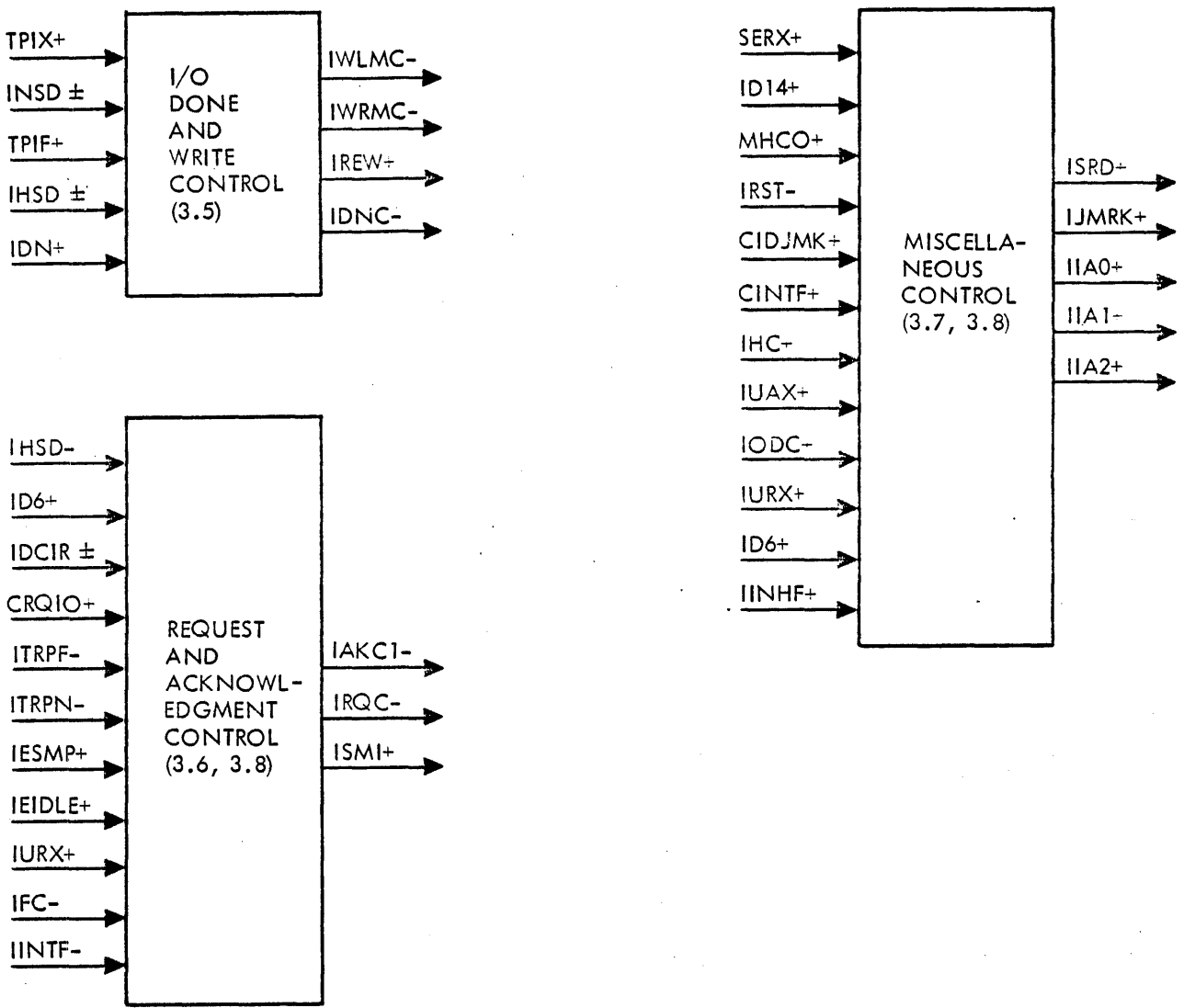
### 4.7.5 Processor-I/O Control

These circuits (figure 4-27) supply address and control signals to the central control.

#### 4.7.5.1 I/O Done and Write Control

An I/O done condition exists when IDNC- goes high. This condition occurs during a programmed I/O or interrupt sequence to signal the central control that data is now valid and can be interrogated. IDNC- is held low during high-speed or normal DMA operations by a low IHSD- or INSD-.

During DMA operations, two write control line signals IWLMC- and IWRMC- are sent to the memory control. The write control lines are enabled (IWLMC- and IWRMC- low) either by high TPIX+ and INSD+ for normal DMA or high TPIF+ and IHSD+ during high-speed DMA.



VT11-2161

Figure 4-27. Processor I/O Control



### 4.7.5.2 Request and Acknowledgment Control

When an interrupt is requested (IURX + high), a low IRQC- is sent to the central control. IRQC- is reset to the high state when the I/O interrupt flag is set (IINTF- low). A high IURX + also causes ISMI + to go high indicating a program interrupt is pending.

When the I/O control has responded to a processor request (CRQIO + high), an acknowledgment signal (IAKC1- low) is sent to the central control. A low IAKC1- is generated when one of two conditions are acknowledged:

- Process request of an interrupt operation (CRQIO + and IDCIR + high)
- Processor request of a programmed I/O operation (CRQIO + high and IDCIR + low)

### 4.7.5.3 Miscellaneous Control

For interrupt operations, interrupt address bits IIA<sub>n</sub> + (0-2) are used as a portion of the central control store address CEAD<sub>n</sub>- (0-8).

The sense response signal ISRD + is sent to the central control to indicate the status of a programmed I/O sense operation. If the sensed condition is true (SERX-I low), ISRD + is high. Conversely, if the sensed condition is false (SERX-I high), ISRD + is low. Refer to the Input/Output Section of the applicable system handbook for further information on programmed I/O sense operations.

If a jump and mark instruction is located at the interrupt address during an interrupt operation, IJMRK + goes high and transfers IUJX-I onto the I/O bus. IJMRK + goes high when the processor interrupt flag CINTF + and a decoded jump and mark signal CIDJMK + are high. At the completion of the I/O interrupt routine (IUAX + low), IJMRK returns to the low state.

## 4.7.6 Drivers/Receivers and Miscellaneous Control

These circuits are shown in figure 4-28.

### 4.7.6.1 Drivers/Receivers

These circuits are the I/O bus interface for the various I/O control signals.

### 4.7.6.2 Buffers and Decoder

These circuits perform the following functions:

- Generates I/O full clocks IFC + and IFC- by buffering the processor full clock MFCO-.
- Generates I/O reset signals IRST + and IRST- by buffering the system reset signal SRST-.
- Generates the I/O half clocks IHC + and IHC- by buffering the processor half clock MHCO-.
- Generates the decoded interrupt signal IDCIR- by decoding CBMT + and CBMR +.

### 4.7.6.3 Function and Data Ready Control

This circuit controls the length of time, the function ready and data ready signals are active. For timing waveforms, refer to the Input/Output Section of the applicable system handbook.

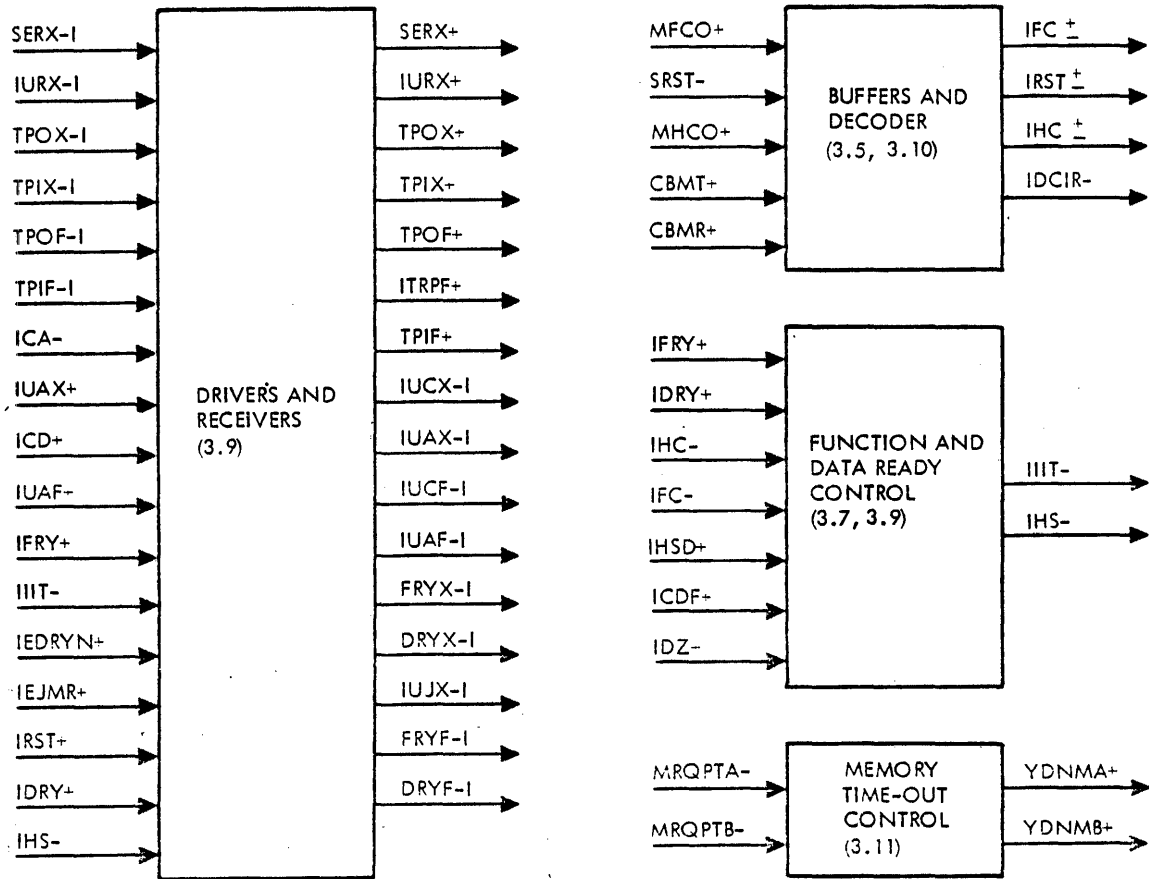
During normal I/O operations requiring data transfers onto the I/O bus, the pulse width of function ready or data ready signals (FRYX-I or DRYX-I) is shortened. This permits data to remain on the I/O bus for some period of time after the removal of one of these signals (see figure 4-29). A peripheral controller can then use the trailing edge (low-to-high transition) of the function ready or data ready signal to interrogate the data from the processor. Pulse width of DRYX-I or FRYX-I is shortened at the trailing edge of the I/O half clock IHC- when IIT- is low.

During high-speed DMA operations (figure 4-30) only the pulse width of DRYF-I is shortened during an output-data transfer. DRYF-I is shortened at the trailing edge of the I/O half clock IHC- when ID2- is low (IHS- low). No pulse-width change is required during an input-data transfer.

### 4.7.6.4 Memory Time-Out

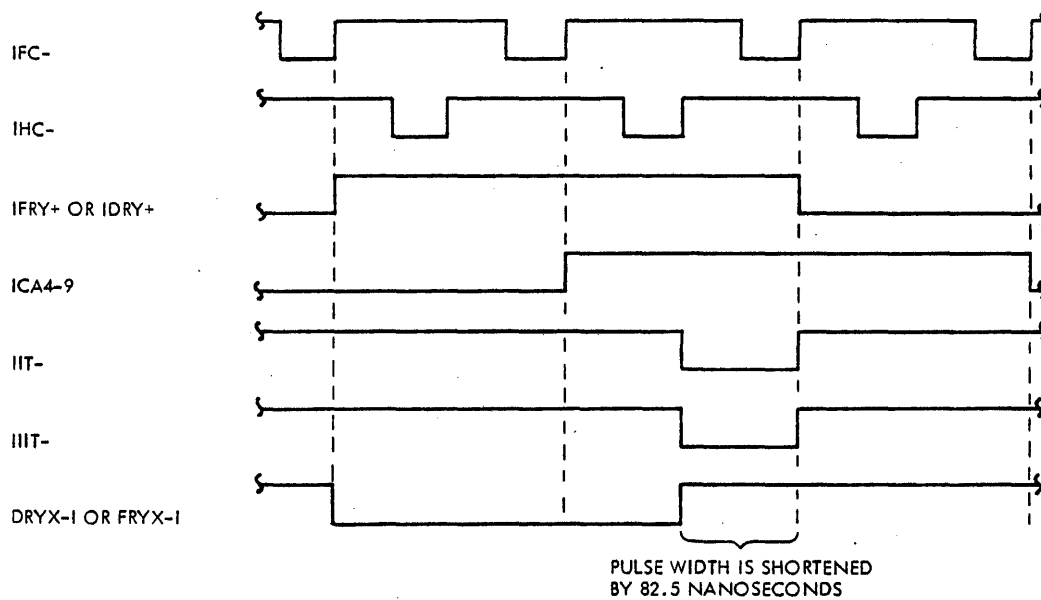
A memory time-out circuit is provided on the option board to terminate requests to non-existent memory locations. These requests may result from programming errors and, if wrap-around addressing is not employed, the system would otherwise hang-up waiting for a memory acknowledgment. The memory time-out circuit monitors all requests (MRQPTA- and MRQPTB-) on both memory buses and generates a memory acknowledgment signal (YDNMA + or YDNMB +) to the appropriate bus if a request has not been received from the memory within two milliseconds. This interval is considered long enough to avoid false time-outs which might result from higher priority port accesses. Timing waveforms for a time-out and non time-out conditions are illustrated in figure 4-31.

The memory time-out circuit can be disabled with jumper connections on the option board.



VT11-2143

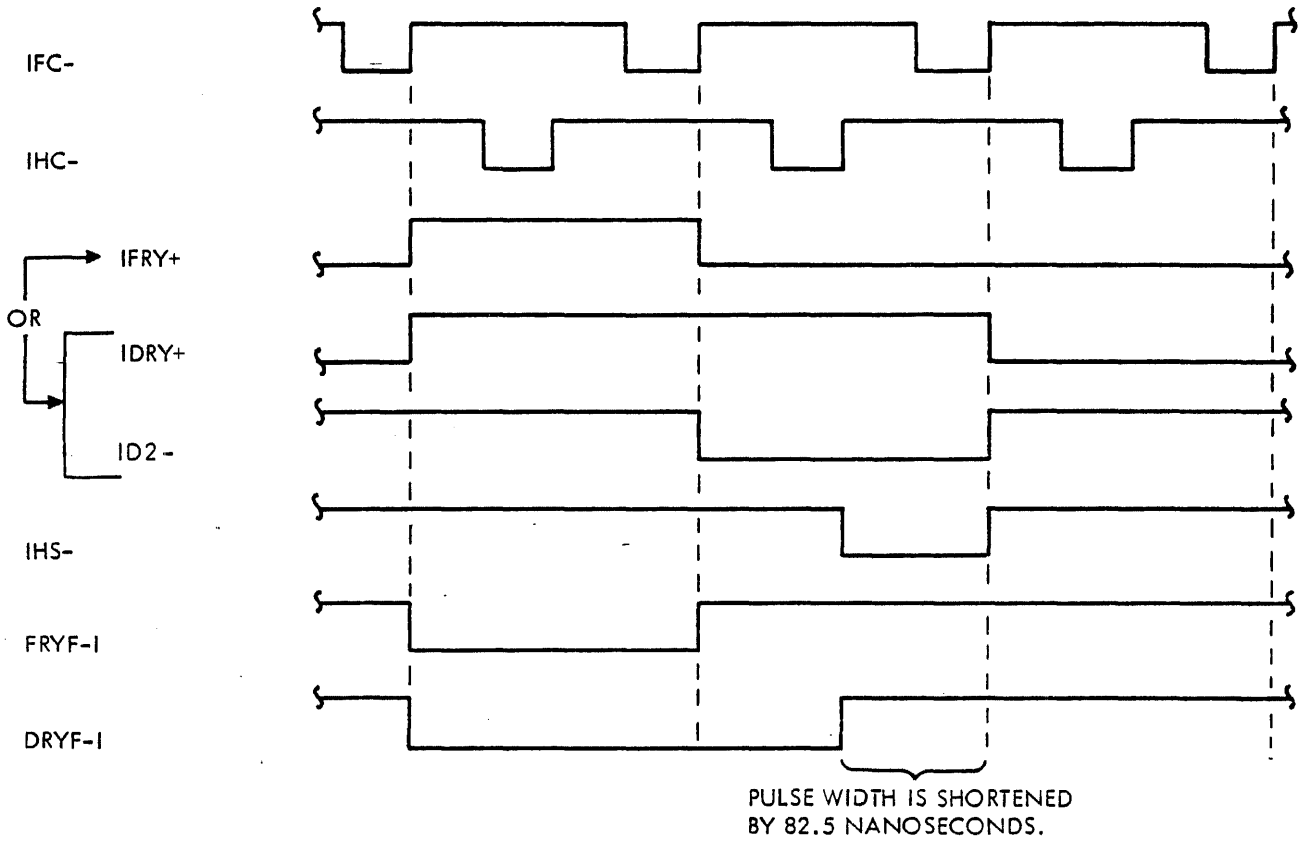
Figure 4-28. Drivers/Receivers and Miscellaneous Control



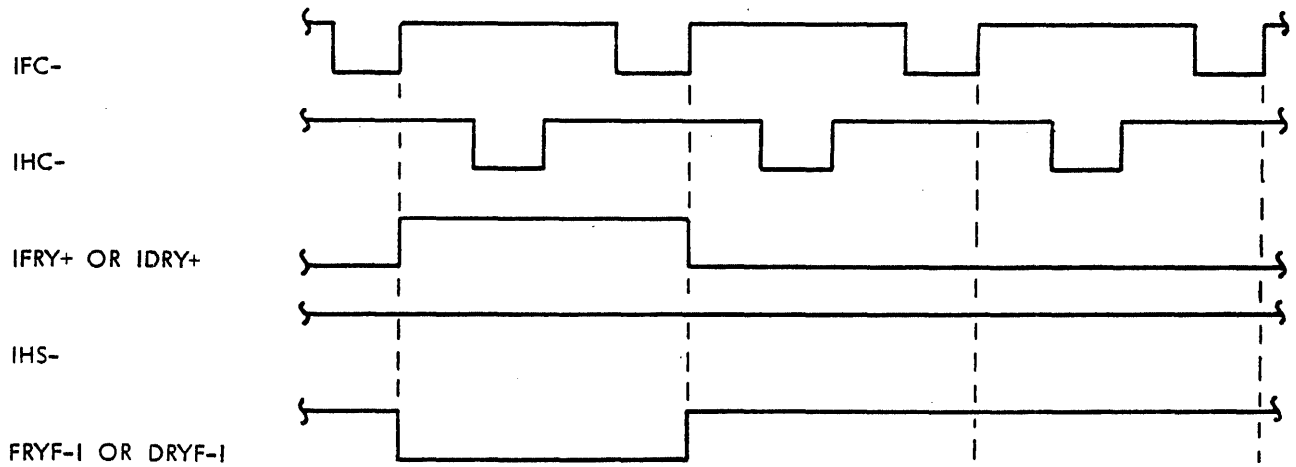
VT11-2144

Figure 4-29. Normal I/O Operations

THEORY OF OPERATION



A. OUTPUT-DATA TRANSFER



B. INPUT-DATA TRANSFER

VT11-2145

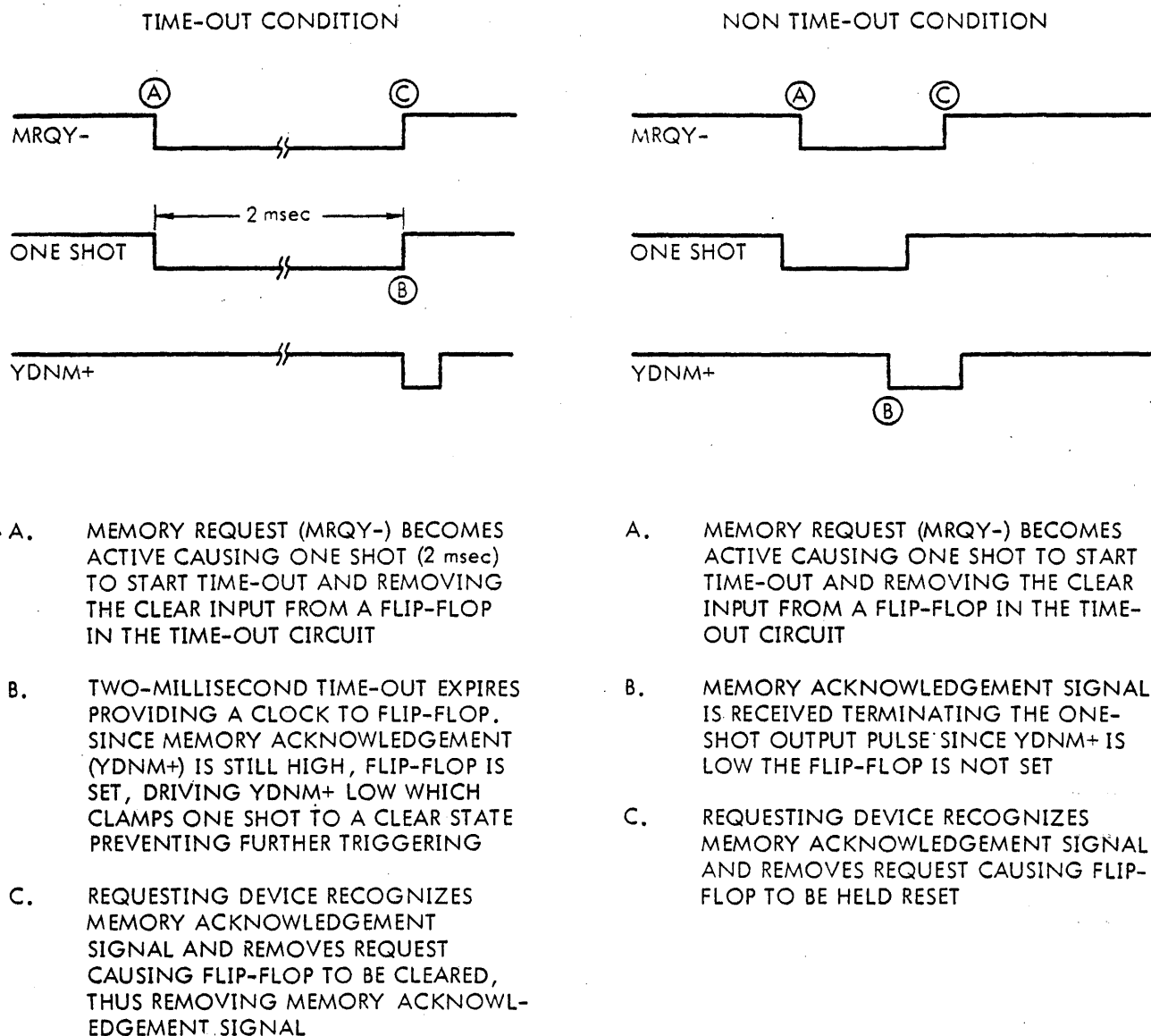
Figure 4-30. High-Speed DMA Operations

### 4.7.7 Programmed I/O Operation

Timing waveforms for a programmed I/O operation are illustrated in figure 4-32. A programmed I/O operation is initiated when a high CRQIO+ is received from the processor. This occurs when the processor IM and S fields contain 111x and 00, respectively. Other processor fields are interpreted by the I/O control as starting addresses for the

I/O control store (section 4.7.1). The starting address is formed as follows:

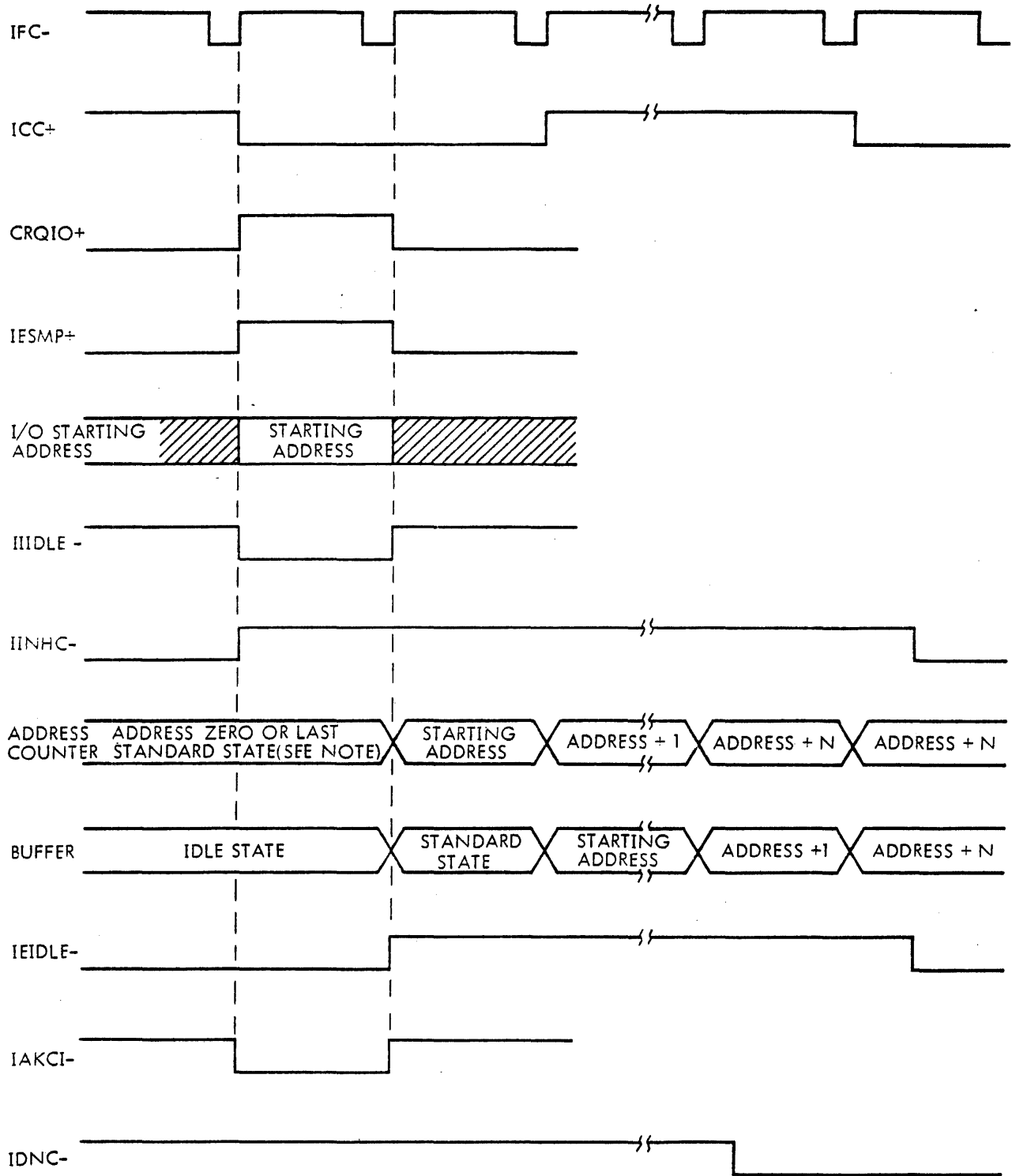
| Processor Field Bit | Address Bit |
|---------------------|-------------|
| CBMT +              | 7           |
| CBMR +              | 6           |
| CBTS3 +             | 5           |
| CBTS2 +             | 4           |
| CBTS1 +             | 3           |
| CBTS0 +             | 2           |
| CBAB1 +             | 1           |
| Zero                | 0           |



VT11-1661

Figure 4-31. Memory Time-Out Waveforms

THEORY OF OPERATION



NOTE: STANDARD STATE OCCURS WHEN I/O CONTROL ACCEPTS A REQUEST (IEIDL- AND IDN+ HIGH)

VT11-1658A

Figure 4-32. Programmed I/O Control Waveforms

Upon receipt of a high CRQIO +, the I/O inhibit idle signal IIDLE- goes low if all of the following conditions occur:

- a. The interrupt-clock counter is in the sampling state (ICA- and ICC- high, resulting in IESMP + high).
- b. The inhibiting signal of the memory protection option is not present (BINIO- high).
- c. The two most-significant address bits (CBMT + and CBMR +) are not both high, indicating the request is not an interrupt sequence (IDCIR- high).

The low IIDLE- causes the I/O clock inhibitor IINHC- to go high, enabling the clocks for the address counter and buffer (section 4.7.1).

At the next IFC- clock pulse, the address counter is loaded with the starting address received from the processor. The address is supplied by the address selector when IMXAD + is high. IMXAD + is high unless a DMA operation is requested (ITRPN + or ITRPF + high). When the starting address is loaded into the counter, the buffer is also loaded with the contents of the I/O control-store address corresponding to the last data in the address register. Following a system reset (IRST-low), the buffer receives data from address zero of the control store; at all other times, the data are from the ending address of the previous I/O operation. In either case, the data are identical and signals IEIDLE- and IDN + go high. A high IEIDLE- indicates that the I/O control is not idle and further requests are ignored. As long as IEIDLE- is high the address counter and buffer are enabled since IINHC- is latched high by a low IEIDLE +. At each succeeding IFC- clock pulse, the address counter is incremented and the buffer is loaded with the contents of the address designated by the address counter.

Any I/O operation continues through successive addresses of the I/O control store until address-counter and buffer clocks are inhibited by either of two conditions:

- a. IEIDLE- goes low indicating the end of an I/O operation.
- b. IEWAIT + goes high indicating that the current operation must stop to wait for one of the following external events to occur:
  1. Memory cycle (MAKIO + high).
  2. New processor cycle (CRQIO + high).
  3. Interrupt (IINTF + high).
  4. External wait line is active (IEXW + high).

At the conclusion of a programmed I/O operation, IDNC- goes low and, on the next clock pulse, IEIDLE- goes low inhibiting clocks for the address counter and buffer (IINHC- low).

Upon completion of an I/O operation, the address counter contains data that cause IEIDLE- and IDN + to go high. These are the first data loaded into the buffer when clocks are reenabled for the next I/O operation.

#### 4.7.8 Interrupt Operations

The interrupt operations are divided into seven sub-operations. Each sub-operation is shown on the interrupt flow diagram in figure 4-33. Timing waveforms are given for the overall operation (figure 4-34) as well as for each sub-operation.

##### SUB-OPERATION 1

Refer to figure 4-35 for timing waveforms of sub-operation 1. An interrupt operation is initiated when a device (such as the real time clock or priority interrupt module) generates an interrupt request (IURX-l low) on the positive-going transition of the interrupt clock IUCX-l. The I/O control then sends a low IRQC- to the central control and waits for a response.

##### SUB-OPERATION 2

Refer to figure 4-36 for timing waveforms of sub-operation 2. After some period of time (determined by the type of operation being performed by the central control prior to the interrupt request), the central control executes a microinstruction that tests for an I/O interrupt (see section 4.3.14 for testing method). Following the test, the central control executes the first microinstruction of the interrupt service routine (see interrupt sequence in Micro-Word Flowcharts 98A0887) and generates a high CRQIO +. This microinstruction also tests the interrupt request. If the interrupt request signal IRQC- was activated as a result of noise or disabled by a macro instruction, the central control returns to its normal processing operations (shown as EXIT on the interrupt flow chart).

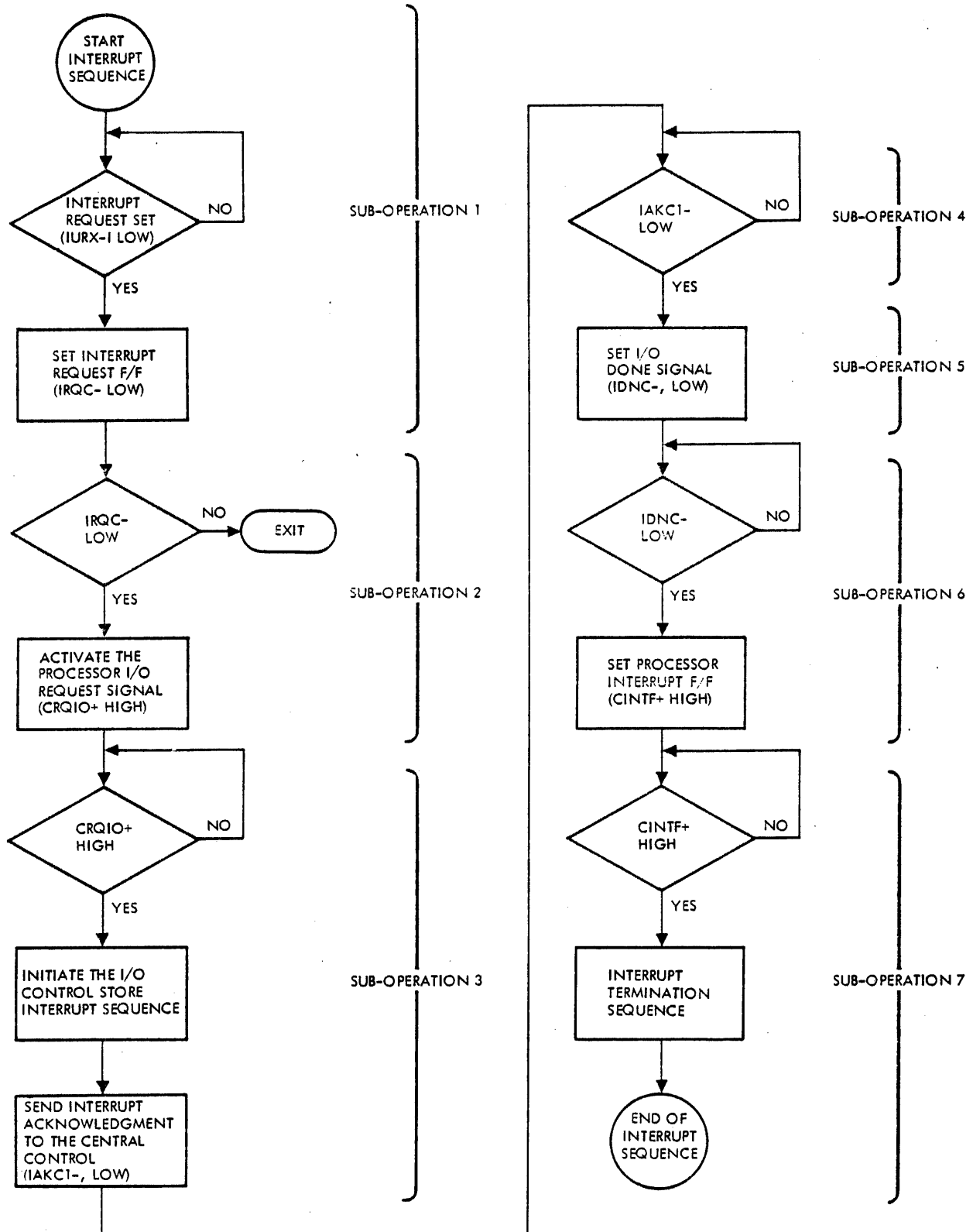
The central control waits (by executing the IWAIT microinstruction at 0D7) for the I/O control to respond to the high CRQIO +, and continues to send the starting address 0DC (see table 4-26) of the interrupt service routine to the address selector.

##### SUB-OPERATION 3

Refer to figure 4-37 for timing waveforms of sub-operation 3. The I/O control samples CRQIO + during the time IESMP + is high. Following the sampling, the I/O control performs the following:

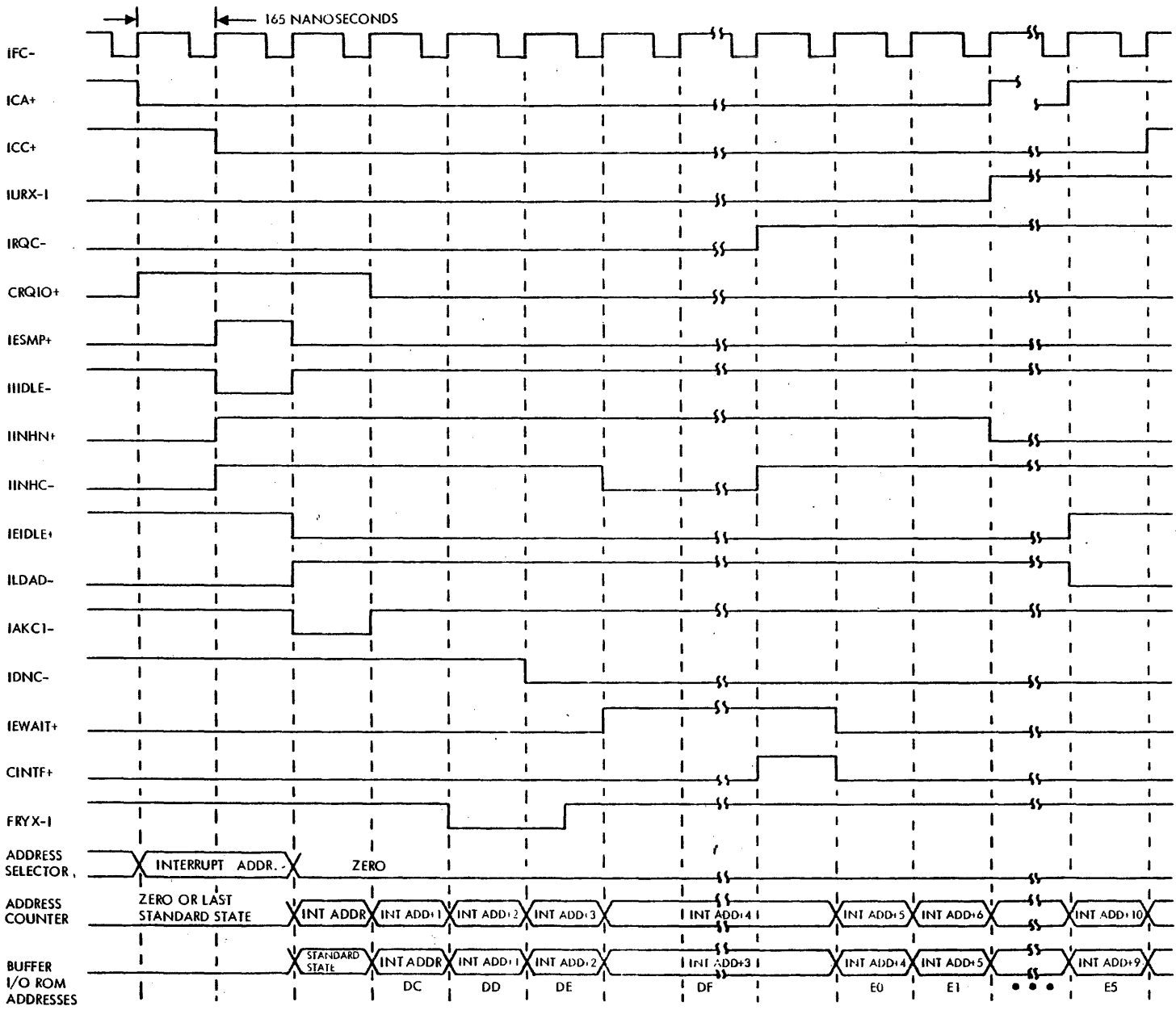
- a. Sends an interrupt acknowledgment (IUAX-l low) to the I/O bus.
- b. Loads the starting address (0DC) for the I/O interrupt operation into the address counter (IINHC- high).
- c. Loads the buffer with the last standard state address (zero in the case of a reset or previously inactive I/O control).
- d. Sends an acknowledgment (IAKC1-l low) to the central control.

At this time, the I/O control is committed and must complete the interrupt operation. The only other termination that can occur is a system reset.



VT11-2146

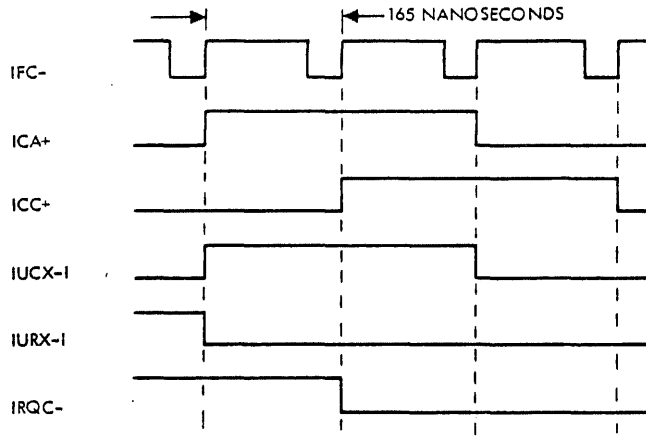
Figure 4-33. Interrupt Flow Diagram



VTT2-418

Figure 4-34. Interrupt Timing Waveforms

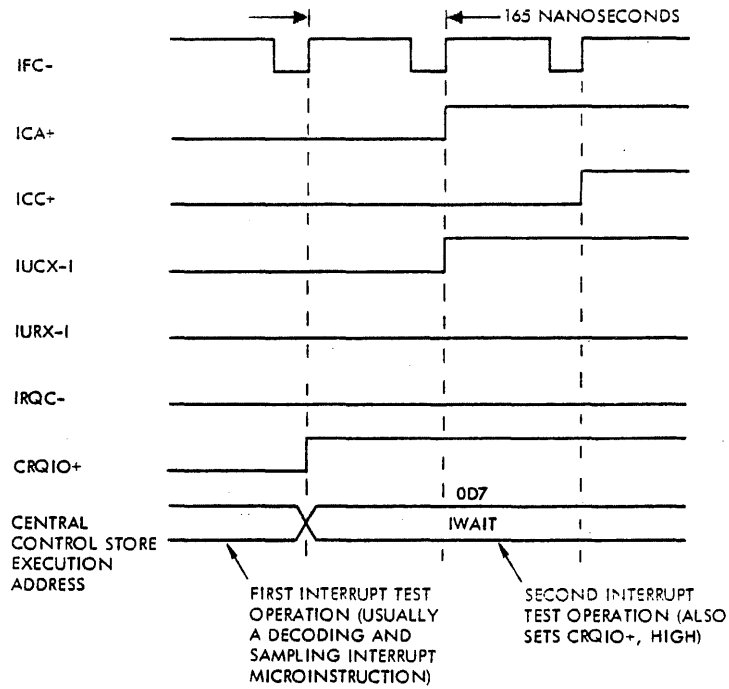




NOTE: TIMING ASSUMES AN INTERRUPT CLOCK RATE OF 660 NANoseconds (IUCX-I).

VT11-2162

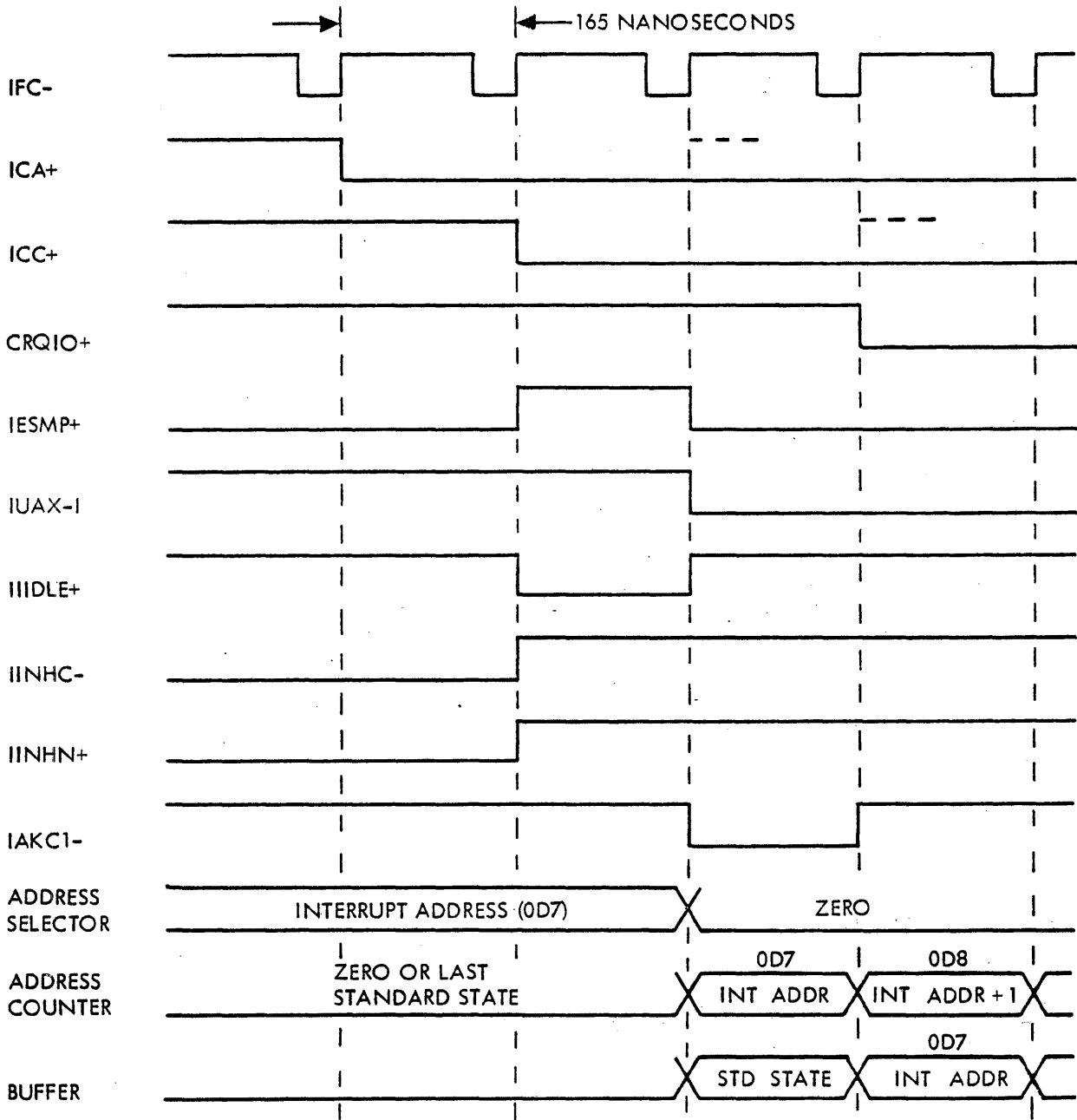
Figure 4-35. Sub-Operation 1 Timing Waveforms



NOTE: TIMING ASSUMES AN INTERRUPT CLOCK RATE OF 660 NANoseconds (IUCX-I).

VT11-2163

Figure 4-36. Sub-Operation 2 Timing Waveforms



VTII-2164

Figure 4-37. Sub-Operation 3 Timing Waveforms

**SUB-OPERATION 4**

Refer to figure 4-38 for timing waveforms of sub-operation 4. The low IAKC1- enables the central control to advance to its next microinstruction (address 0D1) in the interrupt service routine. In this condition, the central control waits until the interrupt address is accepted and transferred to the I/O register. At this time, the buffer (in the I/O control) is loaded with contents of address 0DC (table 4-26) and the address counter is incremented by one. This process of incrementing the address counter and loading the buffer continues until a waiting operation (IEWAIT+ high) is specified by the I/O control microinstruction.

**SUB-OPERATION 5**

Refer to figure 4-38 for timing waveforms of sub-operation 5. When the I/O microinstruction at address 0DE (table 4-26) is loaded into the buffer, an I/O done signal (IDNC-low) is sent to the central control and the interrupt address is loaded into the I/O register. The interrupt operation then advances to the next microinstruction (address 0DF) and waits (IEWAIT+ high) for the processor to complete its interrupt service routine.

**SUB-OPERATION 6**

Refer to figure 4-39 for timing waveforms of sub-operation 6. The central control responds to the low IDNC- by initiating a memory cycle to fetch the instruction at the interrupt address. This is accomplished using the I/O register contents as the memory address. When the central control advances to the first micro word of the instruction at the interrupt address, the interrupt flag is set (CINTF+ high). A high CINTF+ is sent to the I/O control indicating the central control has completed its interrupt service routine and is in the process of executing the interrupt macro routine.

**SUB-OPERATION 7**

Refer to figure 4-40 for timing waveforms of sub-operation 7. The I/O control responds to the high CINTF+ by generating the I/O interrupt flag (IINTF+ high). The high IINTF+ enables the I/O control to complete its interrupt service routine by removing the processor I/O request (IRQC- high) and the clock inhibitor (IINHC- high). When returned to the idle condition (IEIDLE+ high), the I/O control is available for new I/O operations.

**4.7.9 Normal DMA Operations**

Timing waveforms for a normal DMA operation are illustrated in figure 4-41. A normal DMA operation is initiated when a trap-in (TPIX-I) or trap-out (TPOX-I) request is received from the I/O bus. The external device (usually a buffered interlace controller) activates the trap signal on the positive-going edge of the interrupt clock (UCX-I).

The trap request produces a high ITRPN+ which causes IINH+ to go high. When the clock counter (ICA+ and ICC+) reaches the sample state (both flip-flops reset) a high IESMP+ permits recognition of the trap by making IIDLE- low and enabling the address counter and buffer clocks with a high IINHC-. At the same time, a low IMXAD+ causes the address selector to select the trap address. This address is generated by trap-address generation logic (in I/O control) that converts all trap requests to unique addresses.

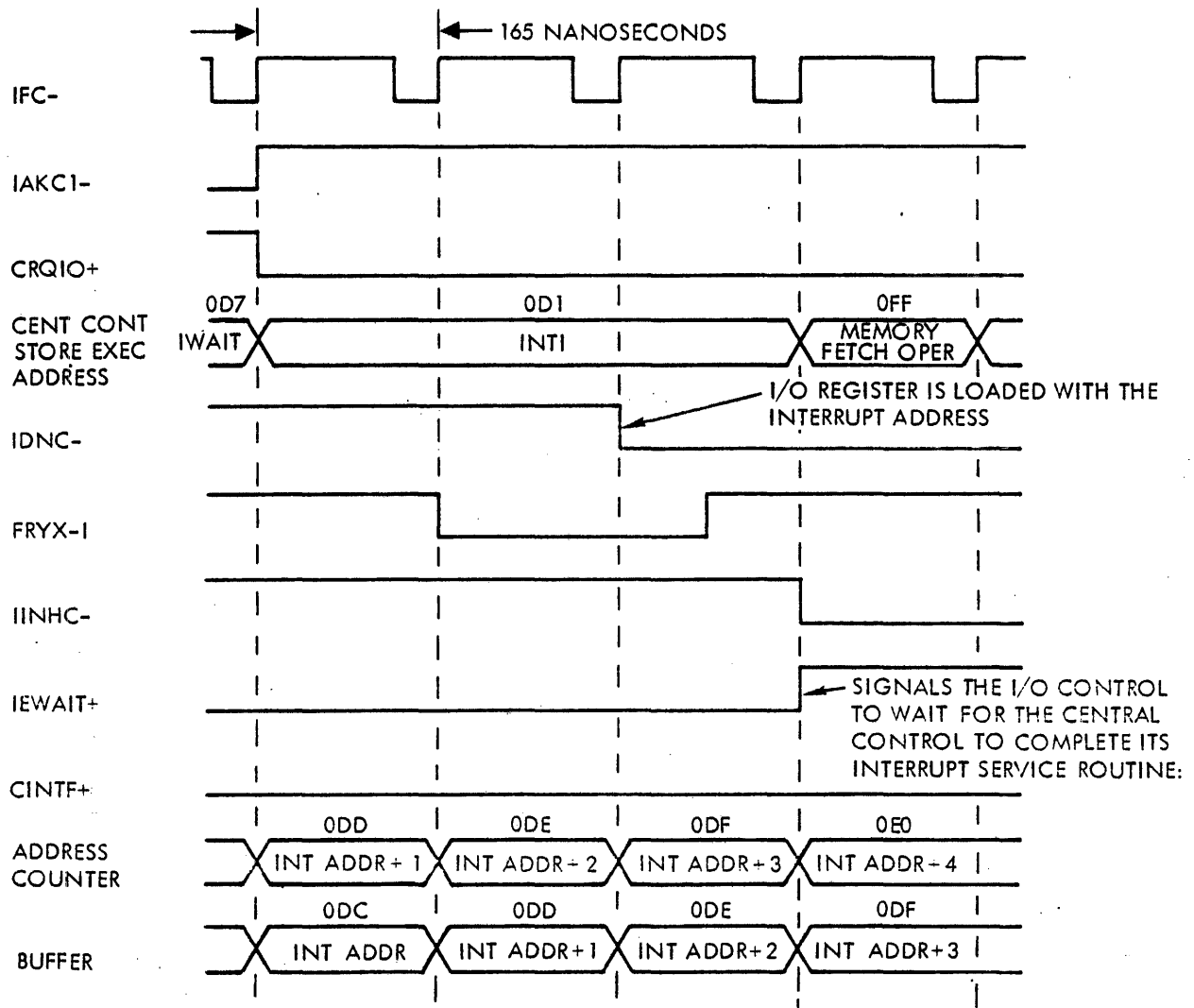
At the clock pulse following IESMP+ going high, the address counter is loaded with the starting address of the DMA operation. The address counter previously contained either address zero or the last address of the previous I/O operation. In either case this data, which is loaded into the buffer, causes the I/O control to become busy (IEIDLE-high).

When the I/O control becomes busy, the loading signal ILDAD- goes high (inactive) permitting the address counter to increment. At the same time, the I/O clock inhibitor IINHC- is latched off (high) and the sampling control IESMP+ is turned off (low). The address selector selection then reverts to the processor address source, an acknowledgment (IUAX-I low) is sent to the I/O bus, the clock counter stops with ICA+ and ICC+ low, and IIDLE- goes high.

At each succeeding clock pulse, the address counter is incremented as a new control word is loaded into the buffer. For a trap-in operation, the memory address is first obtained and loaded into the I/O register (in I/O data loop). The I/O control then enters a waiting state and requests a processor memory cycle (IEWAIT+ and IRQM+ high). When the request is acknowledged (MAKIO+ high), the I/O control leaves the waiting state and obtains the trap-in data. This data is transferred from the I/O bus to the memory data bus via the I/O multiplexor (in I/O data loop) and the data multiplexor (in memory control).

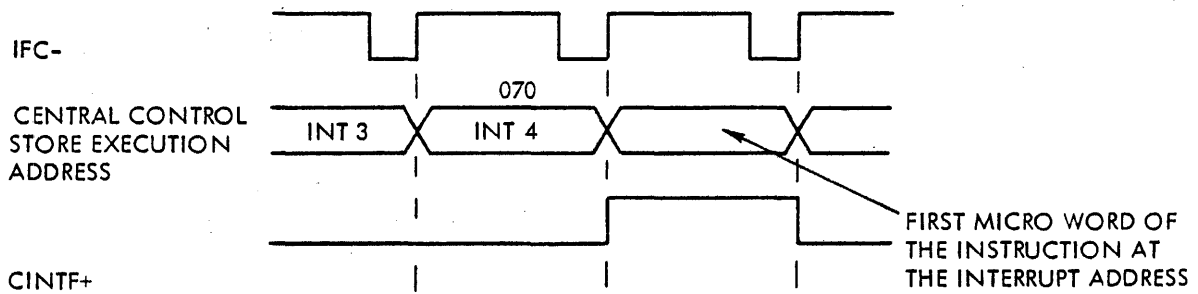
At the conclusion of the memory cycle, the clock counter (in I/O control) is advanced with a code of 010 by buffer signals IEFn+(0-2). The next clock pulse loads all zeros into the buffer; thus, placing the I/O control back in its idle state (IEIDLE- low). Clocks for the address counter and buffer are inhibited until further I/O requests are received.

Trap-out operations are similar to trap-in; however, the I/O control obtains the memory address and then transfers memory data to the I/O bus via the I/O latch (in memory control), I/O multiplexor, and I/O register (in I/O data loop).



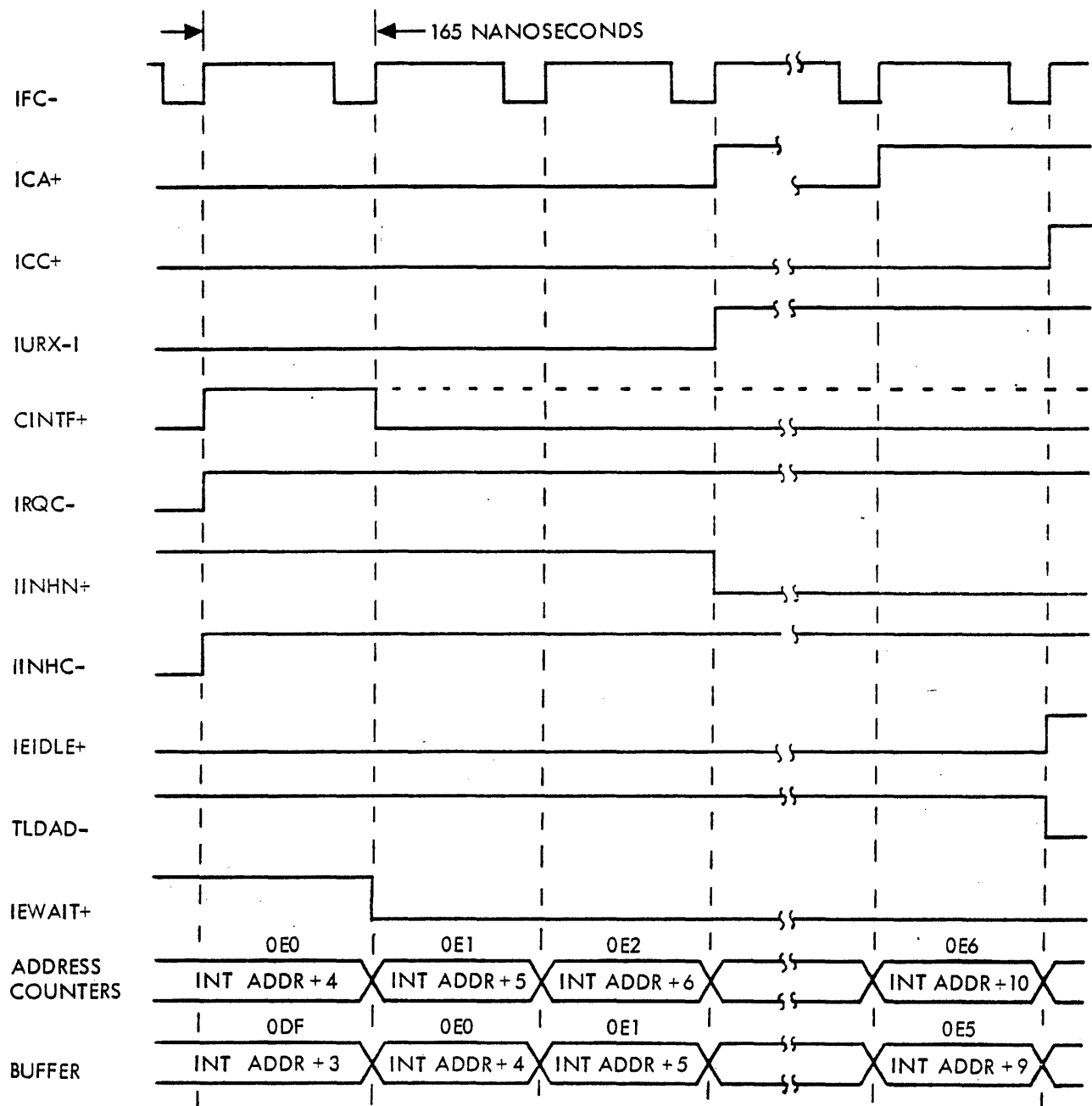
VT11-2165

Figure 4-38. Sub-Operations 4 and 5 Timing Waveforms



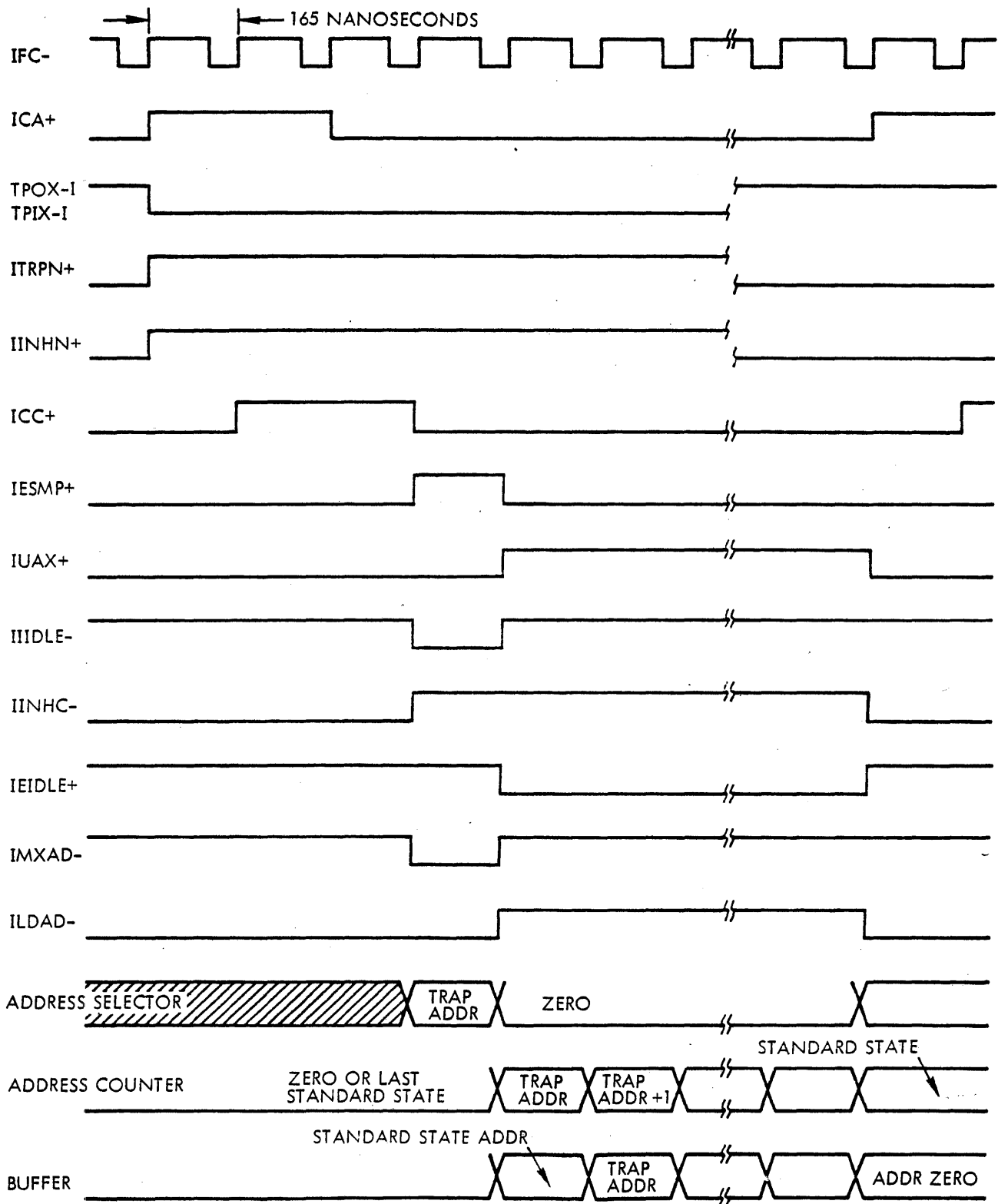
VT11-2166

Figure 4-39. Sub-Operation 6 Timing Waveforms



VT11-2167

Figure 4-40. Sub-Operation 7 Timing Waveforms



VTII-1659A

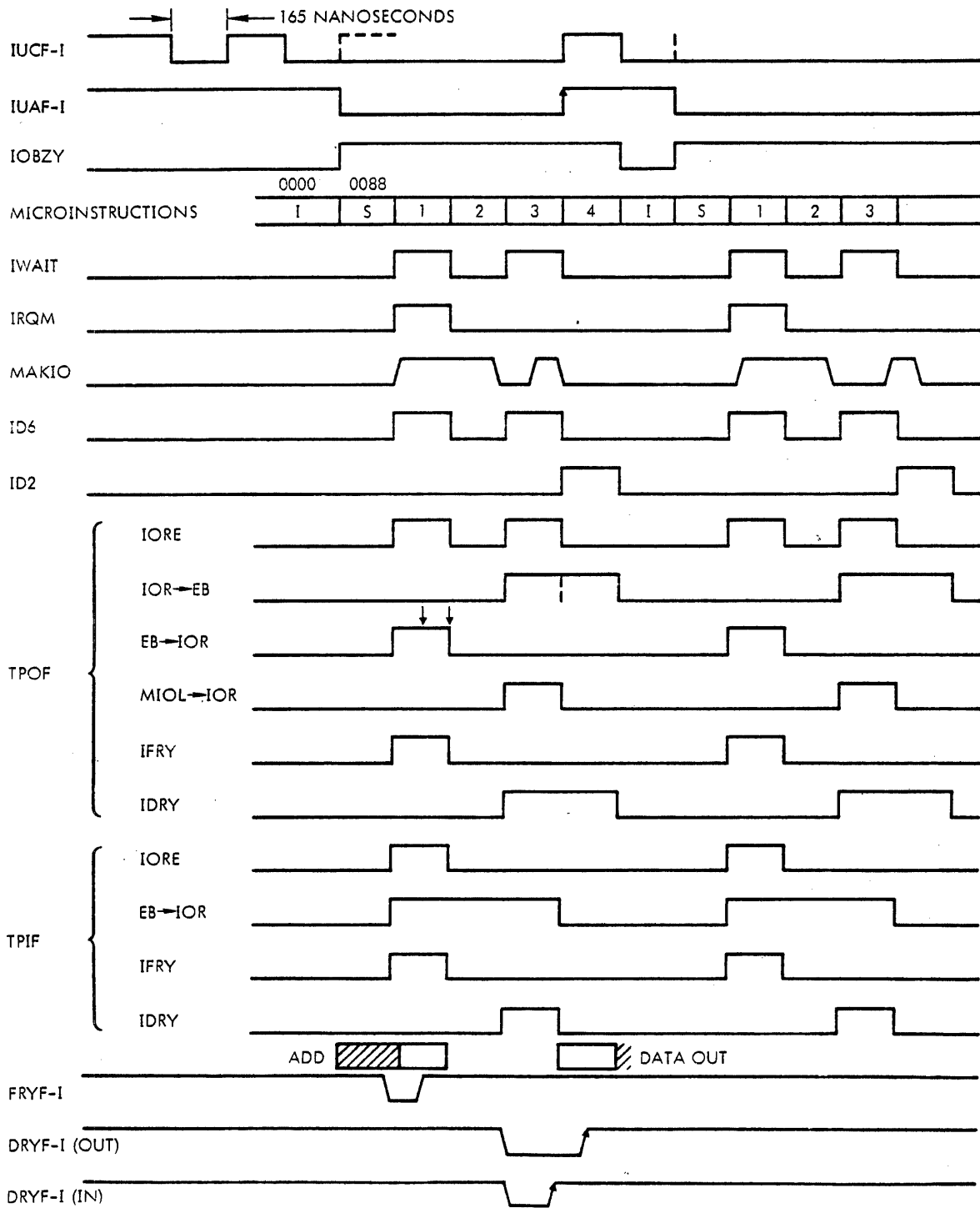
Figure 4-41. Normal DMA Waveforms

**THEORY OF OPERATION**

**4.7.10 High-Speed DMA Operations**

Timing waveforms for a high-speed DMA operation are illustrated in figure 4-42. A high-speed DMA operation is

similar to the normal DMA; however, a faster interrupt clock (IUCF-I) and I/O timing are used. Furthermore, a separate set of lines are used for functions and data ready, interrupt acknowledgment, trap-in, and trap-out.



V711-1660

**Figure 4-42. High-Speed DMA Waveforms**

## 4.8 CONTROL-STORE WORD FORMAT

Figure 4-43 shows the 64-bit word format of the control store. In the Microprogramming Guide, all fields of the 64-bit word are designated with two letters making them consistent with the mnemonics used in the microprogramming assembler (MIDAS). This is done by adding the letter F to all the one-letter designated fields except the A and B fields. The A and B fields are designated AA and BB, respectively.

Listed in descending bit order, each field of the word is described in the following paragraphs.

### TS Field

- Provides a component of the control-store address used when a conditional test is not met.
- Provides a component of the address used when not conditional testing if the field is not used for any of the following:
  - Selects a field from the instruction register for use in the A or B fields of subsequent microinstructions.
  - Selects interrupts which are to be enabled.
  - Provides a portion of the I/O-sequence starting address for I/O requests.
  - Selects another control store when a page-jump microinstruction is executed (section 4.9).

### AF Field

- Contributes to the five most-significant bits of the control-store address except for decoding addressing (section 4.9).

### MS Field

- Provides the four least-significant bits of the control-store address for normal addressing (section 4.9).
- Masks the four least-significant bits for field-selection addressing (section 4.9).

### MT Field

- Masks bit 4 of the control store address for field-selection addressing.
- Provides a portion of the I/O-sequence starting address for I/O requests.

### FS Field

- Selects a five bit field from the instruction register for field-selection addressing.

### T Field

- Specifies no conditional testing.
- Specifies conditional testing of a true condition.
- Specifies conditional testing of a false condition.

### S Field

- Defines unconditional or conditional memory control.
- Defines page-jump control.

### G Field

- Specifies condition to be tested for conditional-test addressing and conditional-memory control.
- Controls status sampling and control of overflow flag.
- Controls transfer of instruction buffer to instruction register.
- Controls selection of decoding addressing.
- Controls selection of page-jump operation.

### MR Field

- Masks the most-significant bit of the instruction-register 4-bit field selected by the TS field when specified by the AB field.
- Controls (in conjunction with the AB and W fields) the transfer of address 1110 or 1111 into the B field depending on data-loop conditions.
- Provides a portion of the I/O-sequence starting address for I/O requests.

### AB Field

- Specifies the following types of data for A and B field of next microinstruction.
  - Control-store output
  - Field selection from instruction register
  - Previous values contained in A and B fields
  - Value for B field depending on data-loop conditions
- Provides a portion of the I/O-sequence starting address for I/O requests.



## THEORY OF OPERATION

### IM Field

- Specifies non-memory operations consisting of:
  - I/O requests
  - Interrupt flag (set or reset)
  - Supervisor mode (set or reset)
  - Special transfer of ALU output to instruction buffer and memory input latch.
- Specifies memory operations consisting of:
  - Conditional or unconditional start or override of memory cycle
  - Address source for memory cycle
  - Operation to be performed (reading or writing)

### LB Field

- Specifies data source for B input of ALU from:
  - General-purpose registers (register file B)
  - B multiplexor
  - Instruction register 16-bit control store literal (fields M, C, WR, SC, V, W, X, SH, B)
- Specifies WCS control functions

### LA Field

- Specifies data source for A input of ALU from:
  - General-purpose registers (register file A)
  - General-purpose registers (file A) shifted left
  - General-purpose registers (file A) shifted right
  - Program counter

### R Field

- Specifies destinations for ALU output data to:
  - Program counter
  - Operand register
  - Shift counter
  - Key register (in data loop)

- Specifies incrementation for:

- Program counter
- Shift counter

### F Field

- Specifies ALU operations.

### M Field

- Specifies ALU mode as arithmetical or logical.

### C Field

- Specifies ALU carry input as:
  - one
  - zero
  - stored carry
  - stored carry complement
- Forms part of the 16-bit control-store literal.

### WR Field

- Specifies the loading of ALU output data into a general-purpose register specified by A field.
- Forms part of the 16-bit control-store literal.

### SC Field

- Specifies shifting of operand register.
- Forms part of the 16-bit control-store literal.

### V Field

- Controls the transfer of general-purpose register sign to shift flag.
- Forms part of 16-bit control-store literal.

### W Field

- Controls the transfer of ALU output sign to quotient sign flag.
- Determines direction of operand register shifting.

(continued)

- Determines contents of B field for next microinstruction in conjunction with AB field.
- Forms part of 16-bit control-store literal.

#### X Field

- Determines that operand register bit 0 is to be one of the following during a shift operation:
  - Operand register bit 15
  - General-purpose register bit 15
  - ALU output bit 15
  - Zero
- Determines that operand register bit 15 is to be one of the following during a right-shift operation:
  - Operand register bit 0
  - General-purpose register bit 0
  - Operand register bit 15
  - Shift flag
- Resets interrupt flag.
- Sends jump signal to external memory protection option.
- Forms part of 16-bit control-store literal.

#### SH Field

- Sets A-input of ALU to all ones or all zeros.
- Selects special ALU function.
- Determines that general-purpose register bit 15 is to be one of the following during a left-shift operation:
  - General-purpose register bit 15 (remains the same)
  - General-purpose register bit 14
- Determines that general-purpose register bit 0 is to be one of the following during a left-shift operation:
  - Zero
  - General-purpose register bit 15
  - Operand register bit 15

- Determines that general-purpose register bit 15 is to be one of the following during a right-shift operation:

- Multiplication-sign flag
- General-purpose register bit 0
- General-purpose register bit 15
- Operand register bit 0
- Zero

- Forms part of the 16-bit control-store literal.

#### B Field

- Specifies one of 16 general-purpose registers which can be applied to the B-input of the ALU.
- Specifies one of the following eight registers that can be applied to the B-input of the ALU:
  - Operand register
  - Memory input latch
  - I/O register
  - Processor status word
  - Operand-register right byte with sign extended
  - Operand-register left byte with sign extended
  - Operand-register right byte without sign extended
  - Operand-register right byte shifted left eight-bit positions.
- Forms part of the 16-bit control-store literal.

#### A Field

- Specifies one of 16 general-purpose registers which can be applied to the A-input of the ALU.
- Specifies one of 16 general-purpose registers that can receive ALU output data.

Figure 4-43. Control-Store Word Format (Sheet 1 of 4)

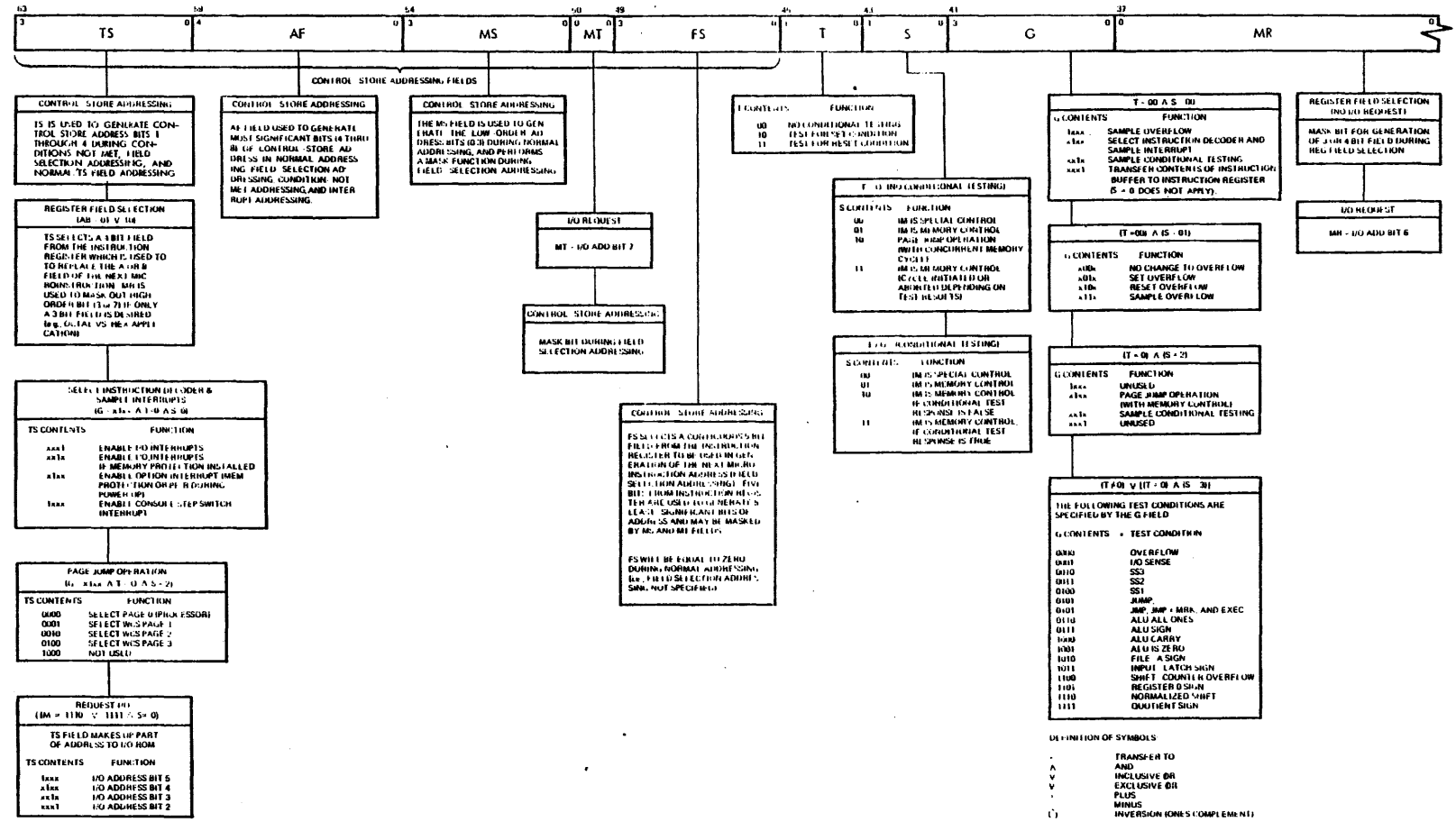
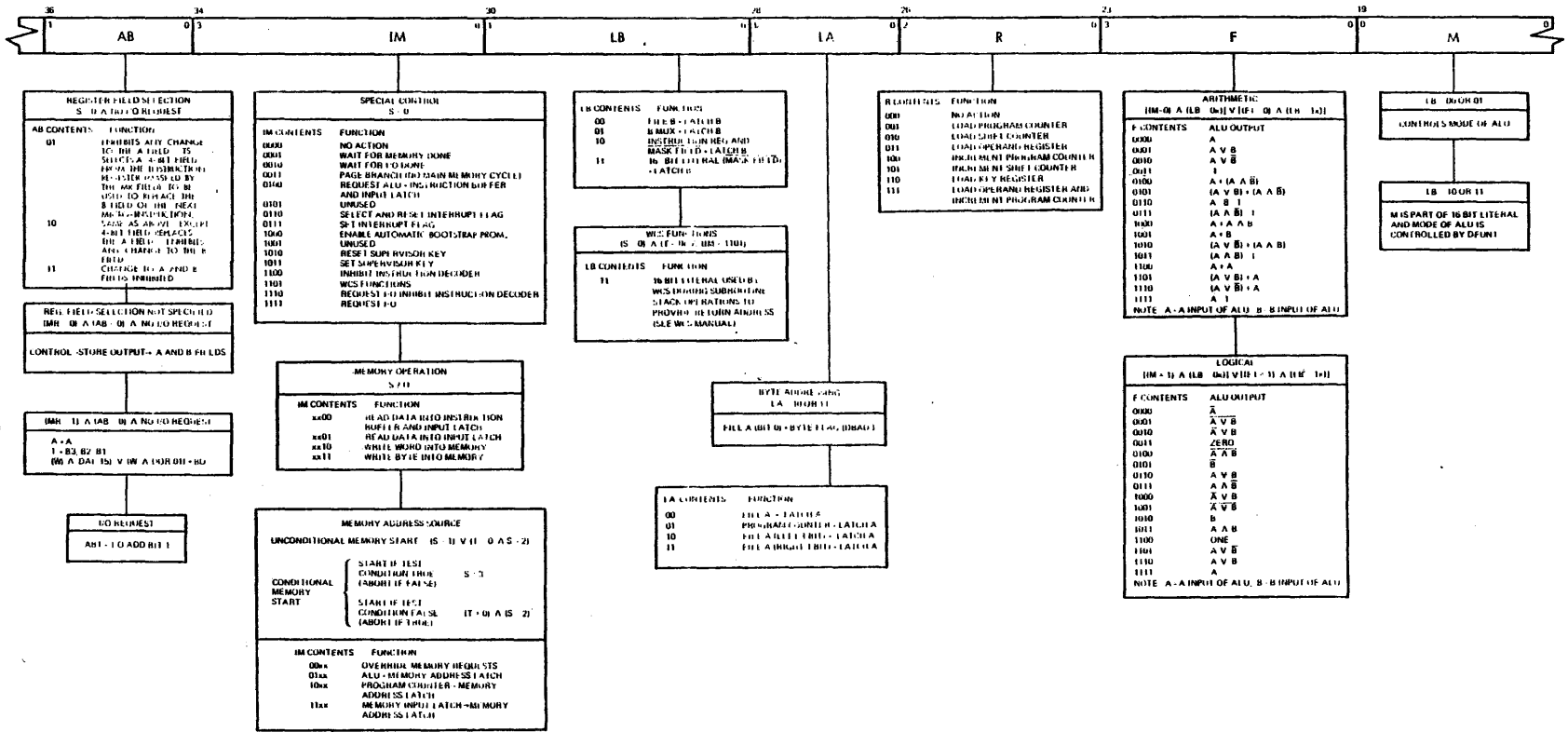
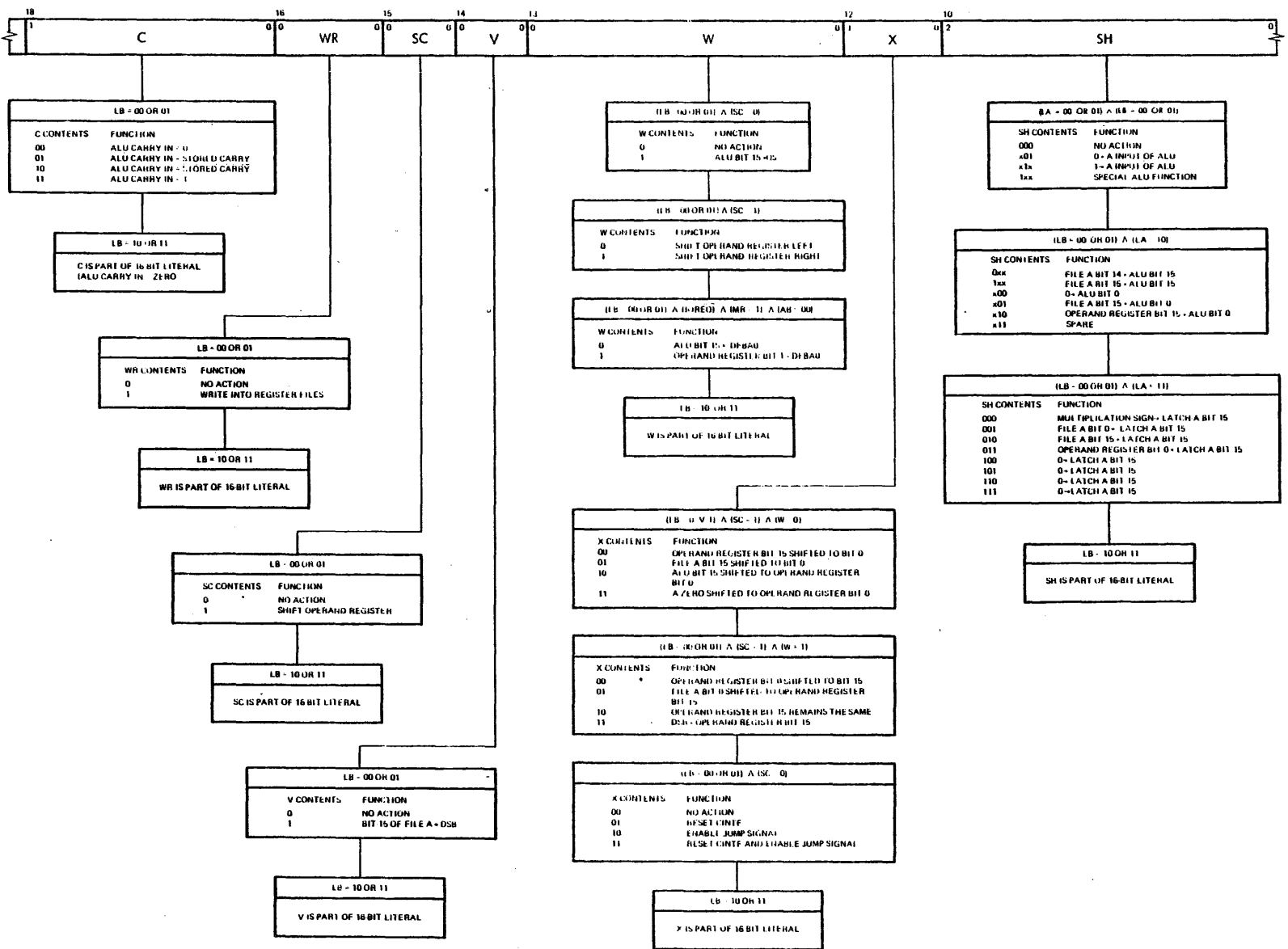
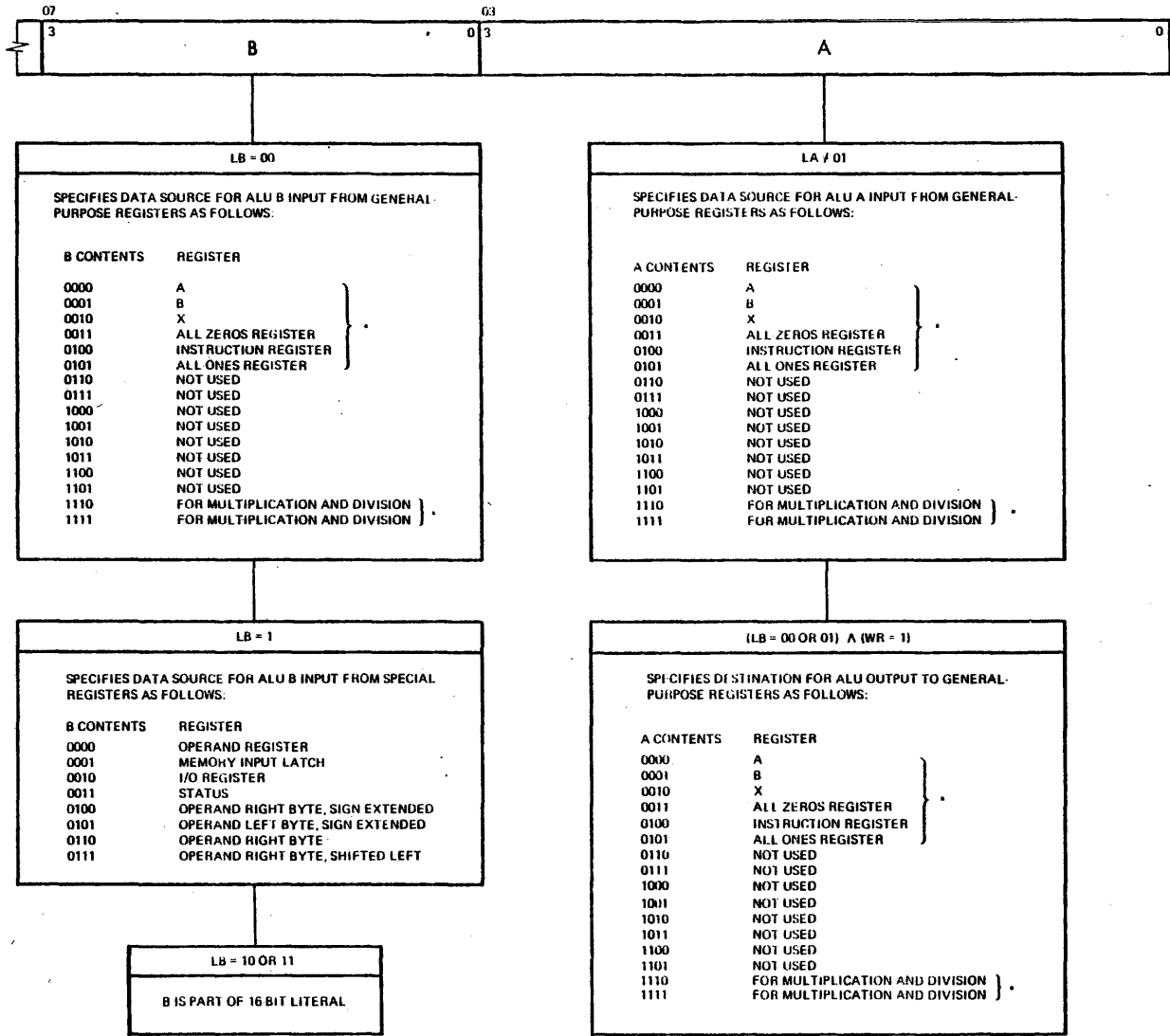


Figure 4-43. Control-Store Word Format (Sheet 2 of 4)





VT13-285 C  
Figure 4-43. Control-Store Word Format (Sheet 3 of 4)



\* DEDICATED FUNCTIONS DURING 620F EMULATION AND HALT LOOP OPERATIONS. GENERAL PURPOSE DURING WCS OPERATIONS.

Figure 4-43. Control-Store Word Format (Sheet 4 of 4)

## THEORY OF OPERATION.

### 4.9 CONTROL-STORE ADDRESSING

Unlike conventional computer instructions, which execute sequentially until altered by a branch instruction, each microinstruction of the V70 series computers must specify the address of the next microinstruction. By specifying this address, the functions of instruction decoding, conditional testing, interrupt handling, and normal microinstruction sequencing are accomplished.

The computer's basic instruction set is contained in the 512 64-bit words of the control store. Up to three 512-word control stores can be added to extend the computer's instruction set.

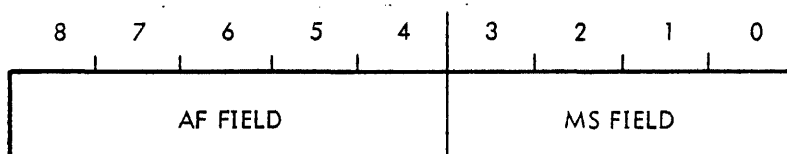
The 9-bit address CEAD<sub>n</sub>-(0-8) selects one of the 512 addresses in the control store (read-only or writable). If a microinstruction specifies an address in another control store, a page-jump microinstruction is executed (T field contains 00, S field contains 10, and G field contains x1xx). The particular control store is selected by the 4-bit TS field. When a system reset condition occurs, all bits of the control store address are set to one and page zero (read-only control store) is selected.

The following addressing modes comprise control store addressing:

- a. Normal
- b. Normal/TS field
- c. Field selection
- d. Conditional testing
- e. Interrupt
- f. Decoding

#### 4.9.1 Normal Addressing

The normal addressing mode is used to specify the address of the next microinstruction when conditional testing, interrupt, and decoding modes of addressing are not specified. The FS and TS field contains 0000 and the MT field contains 0 causing address bits 0 through 3 to be controlled by the MS field. Address bits 4 through 8 are controlled by the AF field (figure 4-44).



VT11-1662

Figure 4-44. Normal Addressing

#### 4.9.2 Normal/TS Field Addressing

The normal/TS field mode can be used when none of the following conditions are specified:

- a. Register-field extraction (AB field contains 01 or 10).
- b. Interrupt allowed (S and T fields contain 00, and G field contains x1xx).
- c. I/O request (S field contains 00, and IM field contains 111x).
- d. Page-jump microinstruction specified (T field contains 00, S field contains 10, and G field contains x1xx).

The address is formed by the inclusive OR of the TS field and bits 1 through 4 of the normal address (figure 4-45).

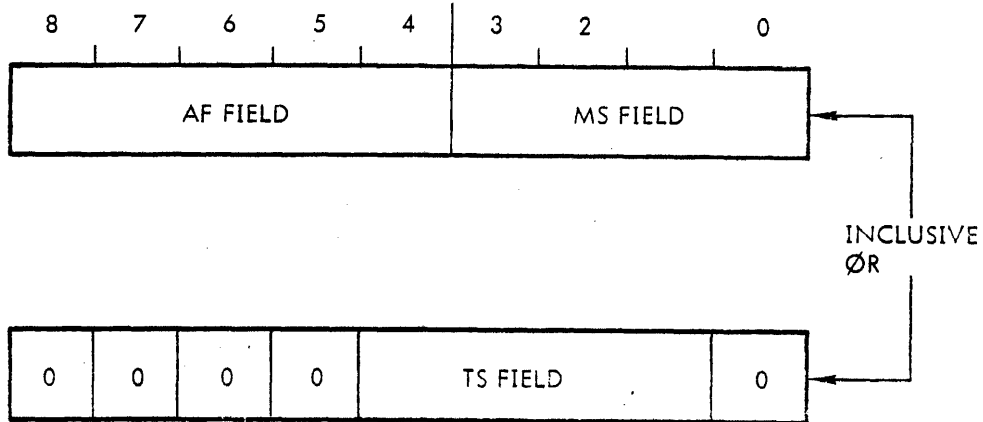
#### 4.9.3 Field-Selection Addressing

In the field-selection mode of addressing, the instruction register contents C2<sub>n</sub>-(0-15) and various processor flags are used to produce the five least significant bits of the control store address CEAD<sub>n</sub>-(0-4). This permits up to 32 branching operations based on instruction register contents. The processor flags consist of: interrupt flag (CINTF +), shift flag (DSB-), byte address flag (DBAD-), and control-panel step flag (NSTP-).

Field selection addressing is used when the FS field does not contain 0000 (when the FS field contains 0000, normal addressing or normal/TS field addressing are used). Table 4-27 lists the signals that produce control store address bits 0 through 4 for all values of the FS field. The listed signals are applied to the instruction field selector. Masking of the five address bits is performed by the MS and MT fields causing a zero bit in these fields to produce a zero in a corresponding address bit (CEAD<sub>n</sub> high). Address bits 0 through 3 are masked by the MS field and bit 4 by the MT field.

When an I/O request is issued (S field contains 00 and IM field contains 111x), the MT field is part of the I/O address specification. In this case, the MT field is ignored and address bit 4 is masked to zero.

Address bits 4 through 8 are produced by the AF field. The TS field is ORed with address bits 1 through 4 as in normal/TS field addressing. The formation of the composite field-selection address is shown in figure 4-46.



VT11-1663

Figure 4-45. Normal/TS Field Addressing

Table 4-27. Field-Selection Addressing Contribution

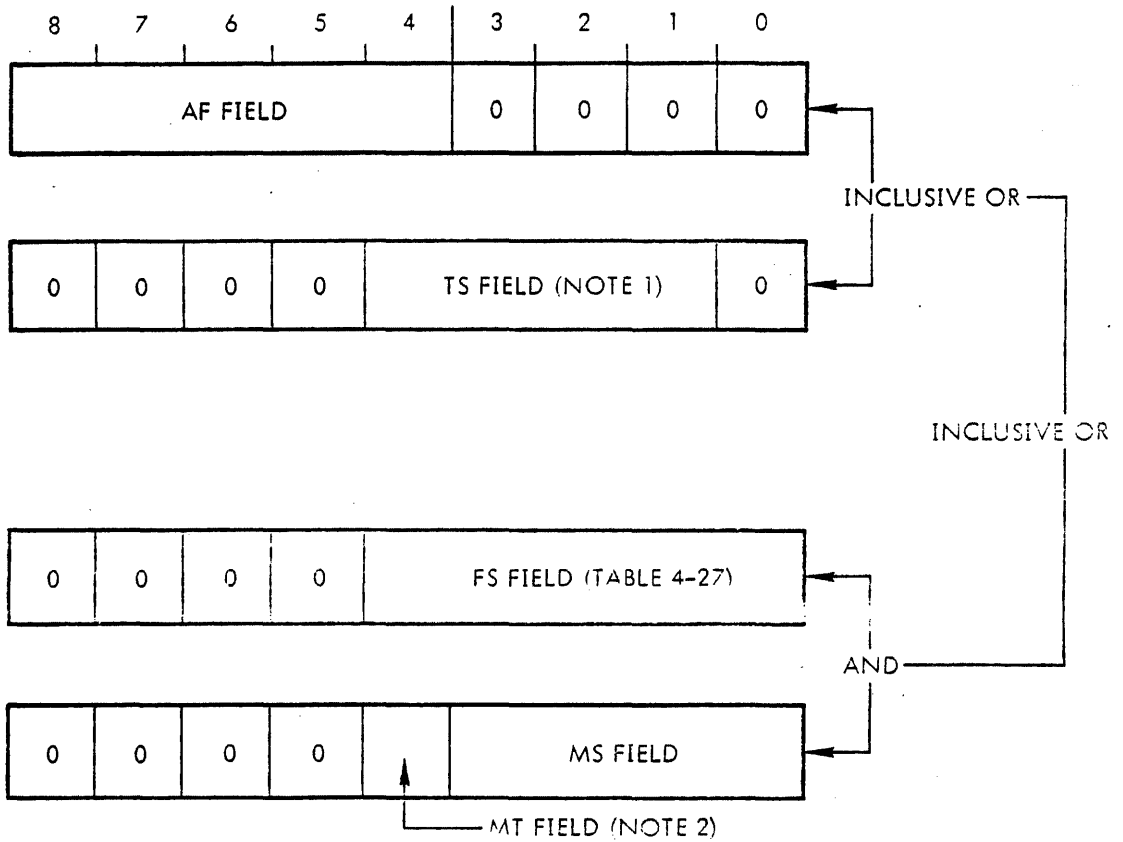
| FS FIELD BITS |   |   |   |        | SIGNAL SOURCE OF CONTROL-STORE ADDRESS BITS 0-4* |        |        |        |  |
|---------------|---|---|---|--------|--|--------|--------|--------|--|
| 3             | 2 | 1 | 0 | BIT 4  | BIT 3  | BIT 2  | BIT 1  | BIT 0  |  |
| 0             | 0 | 0 | 0 | 0      | 0  | 0      | 0      | 0      |  |
| 0             | 0 | 0 | 1 | 0      | 0  | 0      | 0      | CINTF+ |  |
| 0             | 0 | 1 | 0 | 0      | C2101-   | 0      | DSB-   | DBAD-  |  |
| 0             | 0 | 1 | 1 | 0      | 0  | 0      | 0      | NSTP-  |  |
| 0             | 1 | 0 | 0 | C2104- | C2103-   | C2102- | C2101- | C2100- |  |
| 0             | 1 | 0 | 1 | C2105- | C2104-   | C2103- | C2102- | C2101- |  |
| 0             | 1 | 1 | 0 | C2106- | C2105-   | C2104- | C2103- | C2102- |  |
| 0             | 1 | 1 | 1 | C2107- | C2106-   | C2105- | C2104- | C2103- |  |
| 1             | 0 | 0 | 0 | C2108- | C2107-   | C2106- | C2105- | C2104- |  |
| 1             | 0 | 0 | 1 | C2109- | C2108-   | C2107- | C2106- | C2105- |  |
| 1             | 0 | 1 | 0 | C2110- | C2109-   | C2108- | C2107- | C2106- |  |
| 1             | 0 | 1 | 1 | C2111- | C2110-   | C2109- | C2108- | C2107- |  |
| 1             | 1 | 0 | 0 | C2112- | C2111-   | C2110- | C2109- | C2108- |  |
| 1             | 1 | 0 | 1 | C2113- | C2112-   | C2111- | C2110- | C2109- |  |
| 1             | 1 | 1 | 0 | C2114- | C2113-   | C2112- | C2111- | C2110- |  |
| 1             | 1 | 1 | 1 | C2115- | C2114-   | C2113- | C2112- | C2111- |  |

\*THE LISTED SIGNAL SOURCES ARE INPUT TO THE INSTRUCTION FIELD SELECTOR (SECTION 4.3). THE SIGNALS (WHEN SELECTED) ARE INVERTED BY THE INSTRUCTION FIELD SELECTOR TO BECOME CFSAn+ (0-4) OR CFSBn+ (0-4)

VT11-1664



THEORY OF OPERATION



NOTES:

1. THE TS FIELD IS NOT USED TO PRODUCE ADDRESS BITS 1 THROUGH 4 IF ONE OF THE FOLLOWING CONDITIONS IS TRUE:
  - A. REGISTER FIELD EXTRACTION (AB FIELD CONTAINS 01 OR 10)
  - B. INTERRUPTS ALLOWED (S AND T FIELDS CONTAIN 00, IM FIELD CONTAINS 111x)
  - C. I/O REQUEST (S FIELD CONTAINS 00, IM FIELD CONTAINS 111x)
  - D. PAGE JUMP (T FIELD CONTAINS 00, S FIELD CONTAINS 10, G FIELD CONTAINS x1xx)
  - E. CONDITIONAL TESTING IS SPECIFIED (T FIELD DOES NOT CONTAIN 00)
2. WHEN AN I/O REQUEST IS ISSUED (S FIELD CONTAINS 00, IM FIELD CONTAINS 111x, THE MT FIELD IS IGNORED AND ADDRESS BIT 4 IS MASKED TO ZERO

VT11-1665

Figure 4-46. Formation of Field-Selection Addressing

#### 4.9.4 Conditional-Test Addressing

Two addresses must be specified when conditional test operations are performed: one to be used if the condition is met and one to be used if the condition is not met. Conditional-test addressing is specified when the T field does not contain 00. The T field contains binary 10 if the condition to be met is true (for example, Jump if Sense Switch 2 Set), and a binary 11 if the condition to be met is false (for example, Jump if Sense Switch 2 Not Set). The condition to be tested is specified by the G field (table 4-28).

If a condition is met, the address is produced by field selection addressing. If a condition is not met, the address is produced from the AF and TS fields as shown in figure 4-47.

**Table 4-28. Test Conditions**

| Condition.                                      | G Field |
|---|---------|
| Overflow  | 0000    |
| I/O sense response                              | 0001    |
| Sense switch 3                                  | 0010    |
| Sense switch 2                                  | 0011    |
| Sense switch 1                                  | 0100    |
| Jump, Jump and Mark, and Execution instructions | 0101    |
| ALU output all ones                             | 0110    |
| ALU output sign                                 | 0111    |
| ALU carry                                       | 1000    |
| ALU output is zero                              | 1001    |
| Stored sign of register file A (DSB +)          | 1010    |
| Sign of memory input latch                      | 1011    |
| Shift-counter overflow                          | 1100    |
| Sign of general-purpose register 0              | 1101    |
| Normalized shift                                | 1110    |
| Quotient sign                                   | 1111    |

#### 4.9.5 Interrupt Addressing

Control-store address bits 0 through 3 are produced by the interrupt logic (in I/O control) and bits 4 through 8 by the AF field, if all of the following conditions are true:

- Interrupts are allowed (T and S fields contain 00, and G field contains x1xx).
- An interrupt is active.
- The proper class of interrupts is enabled by an appropriate bit in the TS field (table 4-29).

Figure 4-48 shows the interrupt addressing format along with codes for the three types of interrupt conditions.

**Table 4-29. TS-Field Interrupt Functions**

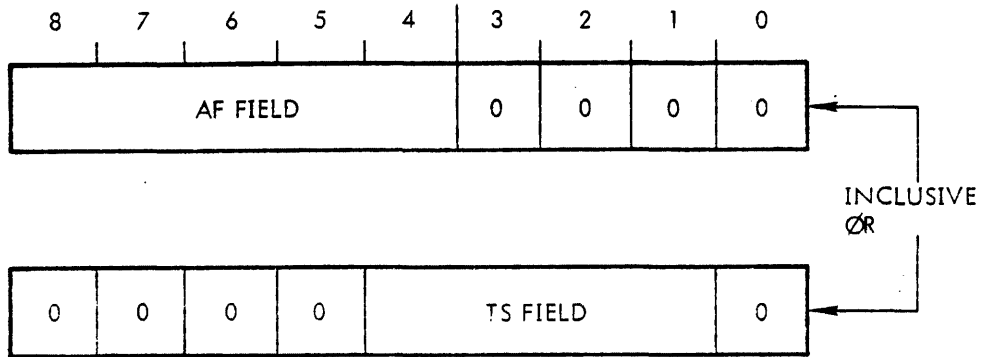
| TS-Field Bits |   |   |   | Interrupts   |
|---------------|---|---|---|--|
| 3             | 2 | 1 | 0 |  |
| x             | x | x | 1 | Enables I/O interrupts   |
| x             | x | 1 | 0 | Enables I/O interrupts only if memory protection option is installed |
| x             | 1 | x | x | Enables interrupt from memory protection option                      |
| 1             | x | x | x | Enables control-panel step interrupt                                 |

Note: x indicates irrelevant bit.

#### 4.9.6 Decoding Addressing

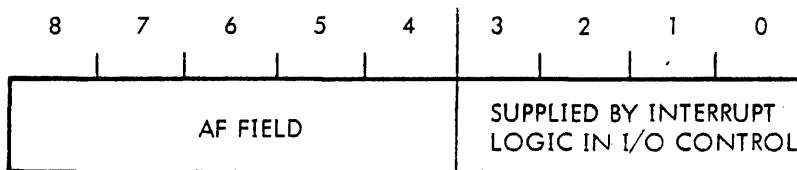
Decoding addressing performs preliminary instruction decoding to determine the classification of an instruction. Detailed decoding is performed later by field-selection addressing after instruction buffer contents are transferred to the instruction register. The preliminary instruction decoding is implemented by the instruction decoder and instruction decoding logic. These elements translate the 16-bit instruction from the instruction buffer to the 9-bit control store address CEADn- (0-8).

THEORY OF OPERATION



VT11-1666

Figure 4-47. Addressing When Condition is Not Met



| <u>AF FIELD</u> | <u>INTERRUPT LOGIC</u> | <u>INTERRUPT CONDITION</u>                          |
|-----------------|------------------------|---|
| 0 1 1 0 1       | 0 0 0 0                | ABORT INTERRUPT FOR DMA                             |
| 0 1 1 0 1       | 0 0 0 1                | START OF INTERRUPT SEQUENCE                         |
| 0 1 1 0 1       | 0 1 1 1                | INTERRUPT WAITING FOR DEVICE TO SEND MEMORY ADDRESS |

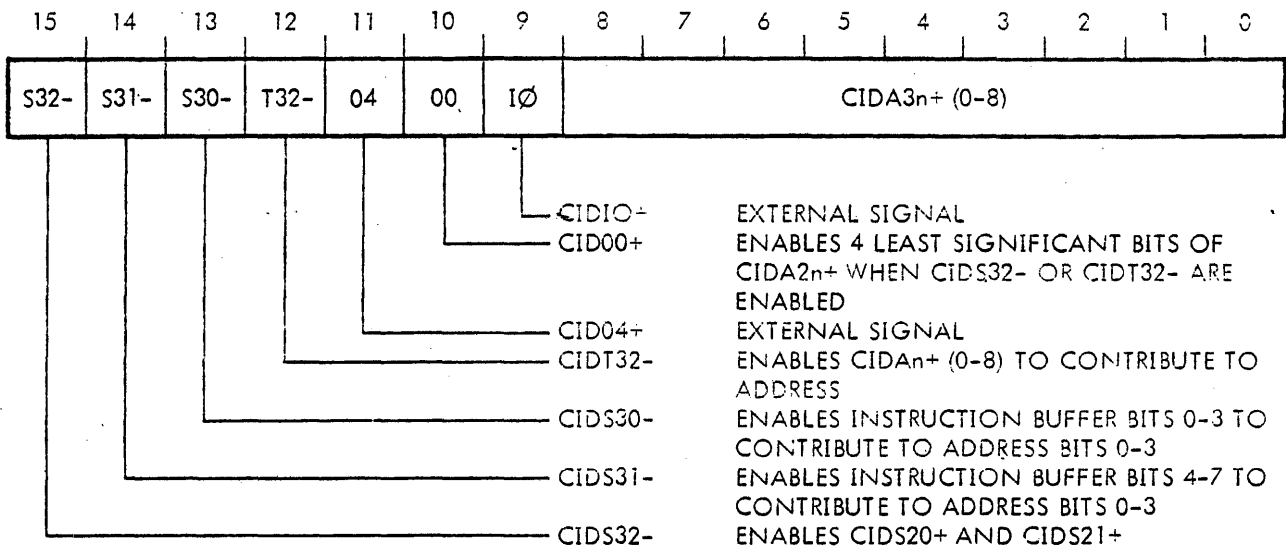
VT11-1667

Figure 4-48. Interrupt Addressing

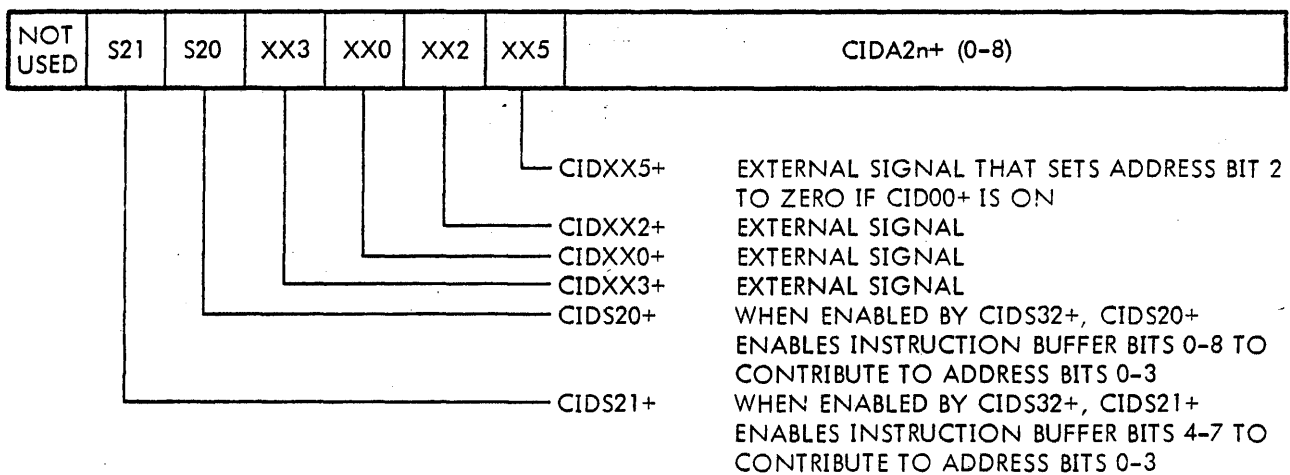
The instruction decoder consists of two ROMs each containing sixteen 16-bit words. An option to the WCS option provides selection of read/write memory arrays to permit alternate decoding methods. The first ROM decoder uses instruction buffer bits 12 through 15 as an address: the second ROM decoder uses bits 8 through 11. Output-signal formats for the two ROM decoders are shown in figure 4-49.

Decoding addressing is used when the T and S fields contain 00 and the G field contains x1xx. If an interrupt is present, decoding addressing is inhibited and interrupt addressing is used. Decoding addressing is also inhibited if the IM field contains 11x0. When the IM field contains 11x0 and no interrupts are present, field-selection addressing is used.

FIRST ROM DECODER DECODED FROM INSTRUCTION BUFFER BITS 12-15



SECOND ROM DECODER DECODED FROM INSTRUCTION BUFFER BITS 8-11



VT11-1668

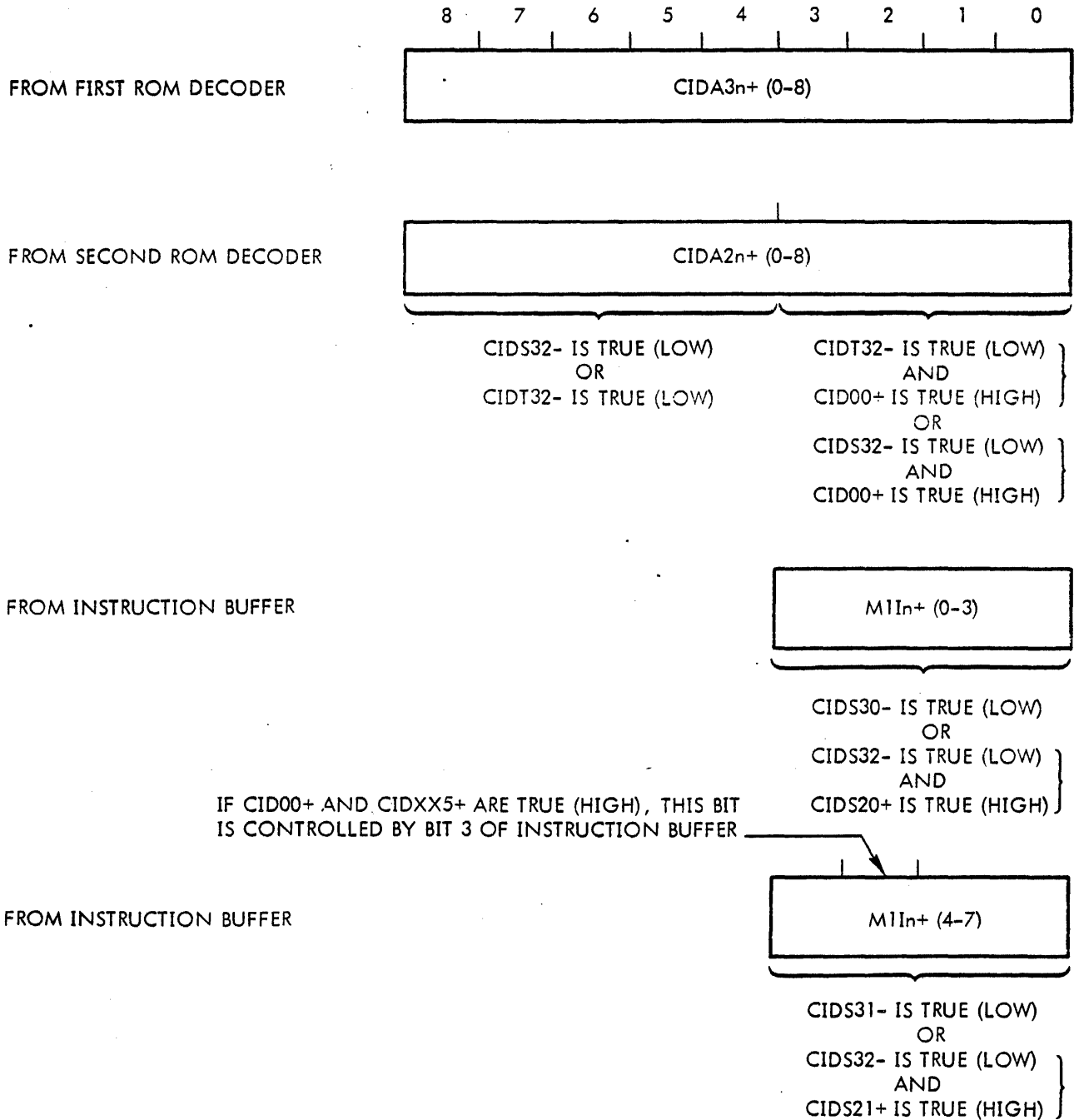
Figure 4-49. Output Formats of ROM Decoders

**THEORY OF OPERATION**

Figure 4-50 shows the decoding address components. The nine bits from the first ROM decoder are always used in the address. The five most-significant bits from the second ROM decoder are inclusively ORed into address bits 4 through 8 when CIDT32- or CIDS32- from the first decoder is true (low). The four least-significant bits from the second ROM decoder are inclusively ORed into address bits 0

through 3 when either one of the following conditions exist in the first decoder:

- a. CIDT32- is true (low) and CID00+ is true (high).
- b. CIDS32- is true (low) and CID00+ is true (high).



VTII-1669 A

**Figure 4-50. Decoding Address Components**

Instruction buffer bits 0 through 3 are inclusively ORed into address bits 0 through 3 when either one of the following conditions exist:

- a. CIDS30- is true (low)
- b. CIDS32- is true (low) and CIDS20+ is true (high).

Instruction buffer bits 4 through 7 are inclusively ORed into address bits 0 through 3 when either one of the following conditions occur:

- a. CIDS31- is true (low).
- b. CIDS32- is true (low) and CIDS21+ is true (high).

One exception to these conditions for instruction buffer bits 4 through 7 is that address bit 2 is controlled by instruction buffer bit 3 when CID00+ and CIDXX5+ are true (high).

#### 4.10 CONTROL-PANEL CIRCUITS

The control-panel circuits (figure 4-51), located on the control-panel board (44P0645), interface with the processor through the I/O bus. The interface circuits consist of the I/O control buffer, I/O bus drivers, and I/O terminators. Commands are decoded from the I/O bus by the I/O control buffer. The I/O control buffer enables either display-register data or pulse-register data onto the I/O bus, or gates I/O bus data to the display-select register or the toggle register. The 16-bit display register provides temporary storage for either switch status or I/O bus data from the processor. The 4-bit pulse register sends signals to the processor that indicate when the DISPL, ENTER, START, or BOOT switches have been pressed. The 4-bit toggle register stores the states of the three sense switches and the STEP/RUN switch. In conjunction with the run-mode control, the pulse and toggle registers control the STEP and RUN indicators. When the computer is halted or in the run mode, the blink oscillator causes the RUN indicator to blink. The display-select register signals the processor when one of the internal machine registers is to be altered or displayed from the control panel.

The interrupt control circuit applies interrupts to the processor when the INT switch is pressed. The 4-bit file-address register designates which one of the 16 register files are to be altered or displayed from the control panel. Signals from control-panel switches are applied to pull-up and debounce circuits. Debounce circuits eliminate the effects of extra signal transitions caused by switch contacts. Data display drivers and light emitting diodes receive data-inputs from the display register.

Detailed descriptions of the control-panel circuits are provided in the following subsections. Page numbers of logic diagram 91B0406 (System Maintenance Manual) are in parentheses in the circuit blocks of figure 4-51.

#### 4.10.1 File Address Register

The file address register stores the 4-bit addresses that select one of the 16 register files for control-panel alteration or display. The register can be directly set by the four REG SELECT switches (NFA1-, NFA2-, NFA4-, and NFA8-), cleared by the CLEAR switch (NFACLR-), and incremented by the INCR switch (NFAINC-). NFAINC- is debounced by a Schmitt trigger circuit as well as the debounce circuit.

The contents of the file address register can be gated onto the I/O bus with the input-function transfer NFI+ from the I/O control buffer. When the instruction register is selected for display, NIR+ is high and an input-function transfer clears the file address register and EB02-1 is low (true).

#### 4.10.2 Toggle Register

The toggle register stores the states of the three SENSE switches (NS1-, NS2-, and NS3-) and the STEP/RUN switch (NSP-). Each input is exclusively ORed with a complement output of its corresponding register flip-flop. The truth table for the toggle register is in table 4-30. The register can be cleared with a system reset (NRST- low).

The toggle register clock N021- comes from either of two sources:

- a. A low NTCK- is generated by the clock generator when any of the four switches are pressed (SENSE switches or STEP/RUN switch).
- b. A high output-function transfer NFO+ from the I/O control buffer and a high data ready NDRY+ from the I/O bus produce a low NTCK1- clock.

NFO+ permits the program to change the state of the three SENSE-switch flip-flops in the toggle register. This is accomplished by receiving I/O bus signals NEB0n+(1-3) and enabling them with NFO+ to simulate the switch being pressed (using open-collector gates).

Table 4-30. Toggle Register Truth Table

| Switch                | Before Clock |       |       | After Clock<br>NSiF+ |
|-----------------------|--------------|-------|-------|----------------------|
|                       | NSi-         | NSiF+ | NOii+ |                      |
| Not pressed<br>(open) | H            | L     | L     | L                    |
| Not pressed<br>(open) | H            | H     | H     | H                    |
| Pressed<br>(closed)   | L            | L     | H     | H                    |
| Pressed<br>(closed)   | L            | H     | L     | L                    |

Note: H = high; L = low; i = 1, 2, or 3; and ii = 17, 18, or 19.

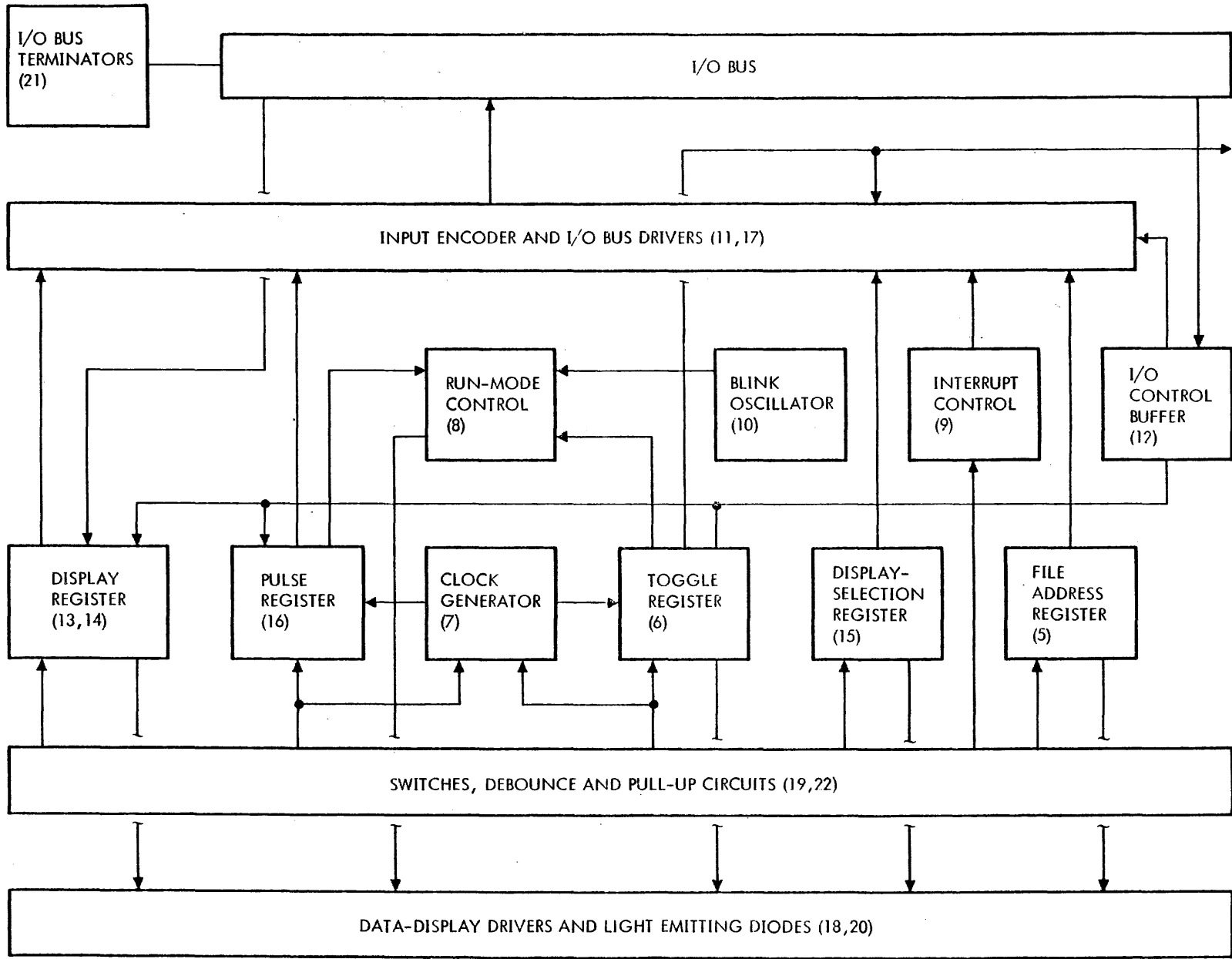


Figure 4-51. Control-Panel Circuits Block Diagram

### 4.10.3 Clock Generator

The clock generator consists of two one-shot circuits that generate clocks (NTCK- and NPC1+) for the toggle and pulse registers whenever any of the four switches associated with each register are pressed. The one-shot circuits are inhibited when NTCK1- goes low. This occurs during an output-function transfer so that only one clock (from data ready NDRY+) is applied to the toggle register. The one-shot circuits provide time for switch bounce to dampen prior to clocking the registers.

### 4.10.4 Run-Mode Control

The run-mode control generates a run signal NRUN- that controls the operation of the RUN indicator. When a system reset occurs, a low NRST1- resets the run-mode flip-flop producing a high NRUN- that prevents the RUN indicator from lighting.

When the computer is placed in the run mode with the STEP/RUN switch, a high NSPF- enables the blink-oscillator signal NOSC+ to make NRUN- go high and low at a low frequency causing the RUN indicator to blink.

When the START button is pressed (and the computer in step mode), a high NSF+ sets the run-mode flip-flop. This provides a low NRUN- that lights the RUN indicator continuously.

When the computer is halted with a halt instruction, a low NFIT- resets the run-mode flip-flop. The high false output of the flip-flop and a high NSPF- enables NOSC+ causing the RUN indicator to blink. The run-mode flip-flop is also set when the BOOT switch is pressed (NEB- low) or the option start signal OPSTRT- goes low.

### 4.10.5 Interrupt Control

When the INT switch is pressed, a low NINT- initiates a control-panel interrupt (figure 4-52). NINT- is debounced

by a Schmitt trigger circuit as well as the debounce circuit. High NINT+ and NIN1- cause the interrupt-control flip-flop to set (NINF+ high) on the next interrupt clock IUCX-I. If the control panel has priority (PR10X-I low) and the flip-flop is set, the interrupt request IURX-I is generated. When the flip-flop is set, NIN1- goes low to prevent the flip-flop from being set more than once each time the INT switch is pressed. When the interrupt clock occurs, the control panel has priority (PR10X-I low), IUAX-I is true (low), and the flip-flop is reset. The interrupt-control flip-flop is cleared by system\_reset NRST1- and held in the cleared state by a low NSPF- (step mode).

### 4.10.6 Blink Oscillator

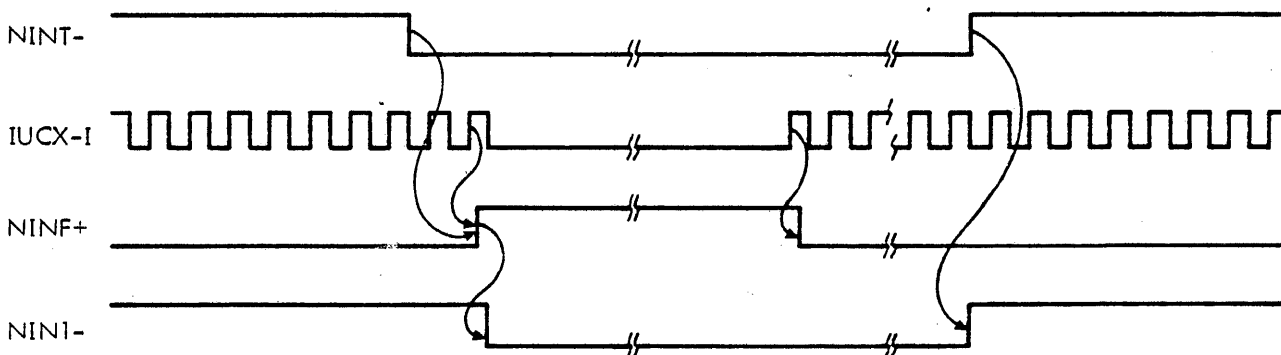
The blink oscillator consists of two one-shot circuits coupled in a loop to produce a low-frequency squarewave NOSC+ for blinking the RUN indicator.

Also included is a Schmitt trigger circuit, used in conjunction with a debounce circuit, to ensure that the system reset SRST- is free from oscillations due to bouncing of the RESET switch contacts.

### 4.10.7 Input Encoder and I/O Bus Drivers

During an input-function transfer, the input encoder supplies encoded signals to bits 4 through 8 of the I/O bus to determine the operation selected from the control panel. The input function codes are listed in table 4-31. The bootstrap function can generate any one of three codes depending on jumpers A and B:

- If no jumpers are installed, bits 6, 7, and 8 are encoded for a Teletype bootstrap.
- If only jumper A is installed, the bits are encoded for a paper-tape reader bootstrap.
- If jumpers A and B are installed, the bits are encoded for a disc bootstrap.



VT11-1674

Figure 4-52. Interrupt Control Waveforms



Table 4-31. Input Encoder Truth Table

| EB08-I | EB07-I | EB06-I | EB05-I | EB04-I | FUNCTION                                       |
|--------|--------|--------|--------|--------|--|
| H      | H      | H      | H      | L      | PROGRAM COUNTER SELECTED                       |
| H      | H      | H      | L      | H      | REGISTER FILE OR INSTRUCTION REGISTER SELECTED |
| H      | H      | L      | X      | X      | MEMORY SELECTED                                |
| H      | L      | H      | X      | X      | START  |
| H      | L      | L      | X      | X      | MEMORY SELECTED AND ENTER                      |
| L      | H      | H      | X      | X      | TELETYPE BOOTSTRAP                             |
| L      | H      | L      | X      | X      | MEMORY SELECTED AND DISPL                      |
| L      | L      | H      | X      | X      | PAPER-TAPE READER BOOTSTRAP                    |
| L      | L      | L      | X      | X      | DISC BOOTSTRAP                                 |

NOTE: L = LOW, H = HIGH, AND X = IRRELEVANT  
V711-1675A

The I/O drivers enable the display-register outputs to be transferred to the I/O bus. When the I/O bus is idle, a high IEIDLA+ enables the data through the I/O drivers onto the I/O bus (EB00-I through EB15-I). The I/O drivers are inhibited with a low display clear NDCLR- or a low system reset NRST1-. Under conditions other than I/O operations, the I/O drivers are enabled for an input-data transfer (ND1+ high).

**4.10.8 I/O Control Buffer**

The I/O control buffer contains two flip-flops (NCBRST- and NFOS+) and a 4-bit function register. When the device address signal NFAD- (octal 77) is decoded (goes low), the NCBRST- flip-flop is set removing the clear signal from the function register. When the function ready FRYX-I goes true (low), the function register is clocked permitting it to sample inputs (see waveforms in figure 4-53).

The outputs of the function register are used when the computer is halted to provide the normal display. The output signals are:

- a. Input function NFI+ indicates that the processor determines the operation to be performed.
- b. Output function NFO+ indicates the processor can set switches after a power failure restart.

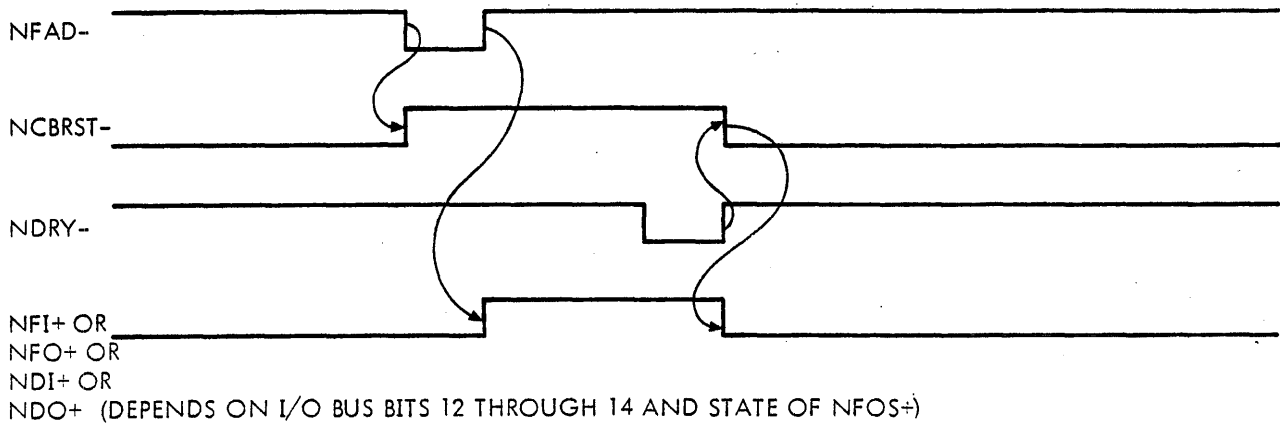
- c. Input data function NDI+ indicates the contents of the display register are transferred to the processor.
- d. Output data function NDO+ indicates the processor is sending data to the display register.

Except for the input function, these functions can also be used under program control.

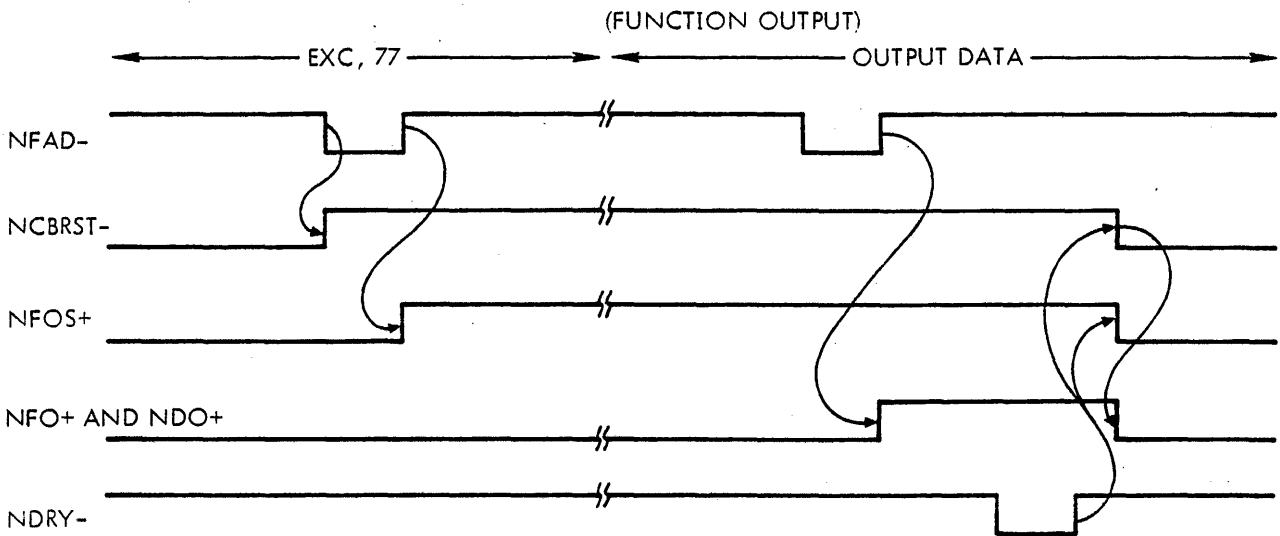
**4.10.9 Display Register**

I/O data (EB00-I through EB15-I) are applied to the display register inputs. The register outputs (NDF00- through NDF15-) are applied to the register-display indicators. A low NENAB- enables the register. The register is clocked by NCLOCK+.

When the I/O bus is idle (IEIDLA+ high) the register clock pulses are generated continuously by a flip-flop that is toggled by the interrupt clock IUCX+. In addition to being applied to the register display indicators, the register outputs are circulated through the I/O data paths to the register inputs.



A



B

VT11-1676

Figure 4-53. I/O Control Buffer Waveforms

## THEORY OF OPERATION

### 4.10.10 Display-Selection Register

The display-selection register contains five latch circuits whose inputs and outputs are connected to the five DISPLAY SELECT switches as follows:

- a. NMEM- to MEM switch
- b. NST- to STATUS switch
- c. NIR- to I switch
- d. NPR- to P switch
- e. NRF- to REG switch

Pressing any of these switches, sets the corresponding latch (output is low). The previously selected latch is unlatched when NSRX- goes low. This occurs whenever an even number of latches are selected. The low NSRX- unlatches all latches except the one whose switch is pressed. When system reset occurs (NRST1- low), all latches are unlatched.

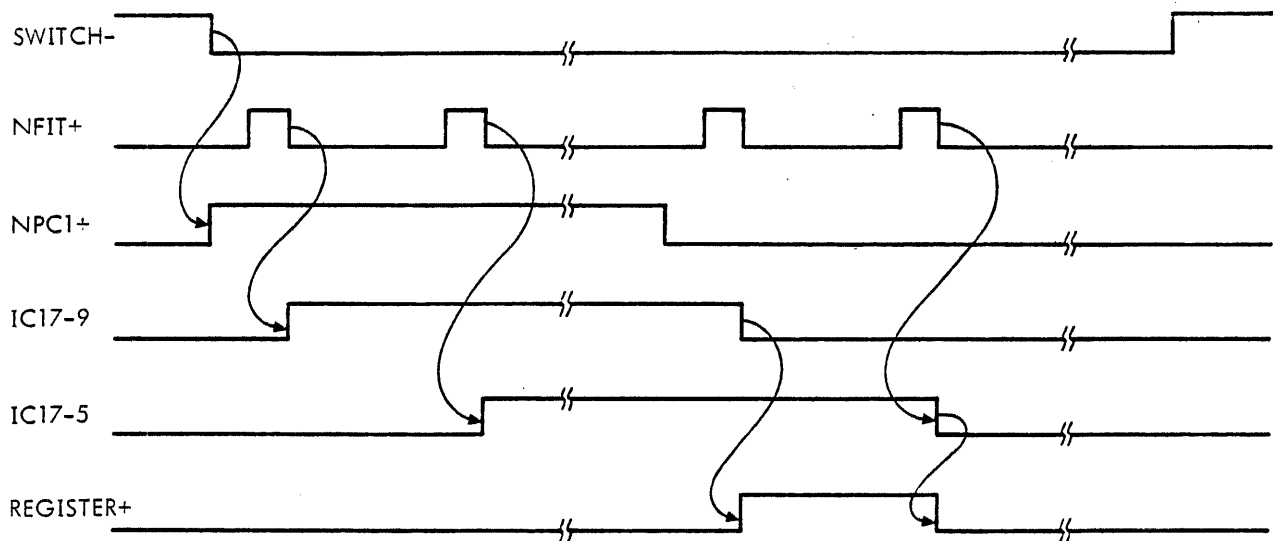
### 4.10.11 Pulse Register

The pulse register is set whenever the DISPL, ENTER, START, or BOOT switches are pressed. DISPL and ENTER are inhibited from being set when the computer is not in the run mode. BOOT is inhibited from being set when the computer is not in the run mode. A high NDF+ indicates DISPL switch is pressed, a high NEF+ indicates ENTER switch is pressed, a high NSF+ indicates START switch is pressed, and a high NEB+ indicates BOOT switch is pressed. Figure 4-54 shows the timing waveforms for the pulse generator.

### 4.10.12 Data-Display Drivers and Light-Emitting Diodes

The data-display drivers, which are connected to the outputs of the display register, consist of inverters that drive the light-emitting diodes.

The light-emitting diodes are the indicators for the control panel. A low signal applied to the cathode causes the diode to light; a high signal causes it to go out.



- NOTES:
1. THE TERM SWITCH- REPRESENTS SIGNALS NDP-, NEN-, NSTR-, OR NBS-
  2. THE TERM REGISTER+ REPRESENTS SIGNALS NDF+, NEF+, NSF+, AND NEB+
  3. IC17-9 AND IC17-5 ARE IC PIN NUMBERS ON SHEET 16 OF LOGIC DIAGRAM 91B0406-A

VT11-1677

Figure 4-54. Pulse Register Waveforms

#### 4.10.13 Switches, Debounce, and Pull-Up Circuits

The control-panel switches (except POWER) are mounted on a switch assembly (p/n 44P0647) which in turn is mounted on the control panel board. With the power switch in the CONSOLE DISABLE position: all switches are disabled if jumper terminals C and E are connected together, and only STEP/RUN and RESET switches are disabled if jumper terminals C and D are connected together. A switch is enabled when jumper terminal C is grounded.

Debounce circuits eliminate signal bounce caused by switch contacts.

Pull-up circuits keep the switch-signals at +5V dc when switches are open.

#### 4.10.14 I/O Bus Terminators

The I/O bus terminators provide logic levels of 0 and +3 volts for the I/O bus signals. They also provide impedance matching for the I/O cable.

### 4.11 MICROPROGRAMMING EXAMPLES

This section provides examples of instruction implementation using V70 microprogramming.

#### 4.11.1 LDA Instruction

In this example, direct addressing is used. The description is divided into the following sections:

- Standard state 1 of the microprogram (SS1M).
- Standard state 2 of the microprogram (SS2M).
- Standard state 3 of the microprogram (SS3M).
- First microinstruction of the single-word addressing sequence (SWA10).
- Second microinstruction of the single-word addressing sequence (SWA20).
- First LDA microinstruction (LDA1).
- Second LDA microinstruction (LDA2).

#### SS1M

Initially the instruction pipeline is assumed to be empty so a new instruction must be fetched from main memory. The first microinstruction is obtained from control store location 13E (all addresses are given in hexadecimal). This location

has the label SS1M, which is one of the microprogram's standard states.

The microinstruction fields at 13E are:

|      |       |      |    |      |     |      |      |      |
|------|-------|------|----|------|-----|------|------|------|
| TS   | AF    | MS   | MT | FS   | T   | S    | G    |      |
| 0000 | 01001 | 0010 | 0  | 0000 | 00  | 01   | 0000 |      |
| M    | AB    | IM   | LB | LA   | R   | F    | M    |      |
| 0    | 00    | 1000 | 00 | 00   | 000 | 0000 | 00   |      |
| C    | WR    | SC   | V  | W    | X   | SH   | B    | A    |
| 0    | 0     | 0    | 0  | 0    | 00  | 000  | 0000 | 0000 |

The function of this microinstruction is to initiate an instruction fetch from the memory address specified by the program counter. Note that the S field equal to 01 specifies unconditional initiation of the memory cycle. The IM field specifies use of the program counter for an address source and the instruction buffer and memory input register as destinations for data received from memory. The FS, MT, TS and T fields contain all zeros so normal mode addressing is specified. The next control store address will be 092. No other fields of the microinstruction are pertinent.

#### SS2M

Location 092 is another microprogram standard state labeled SS2M. It continues the process of filling the pipeline by initiating another instruction fetch using the incremented contents of the program counter.

The microinstruction fields at 092 are:

|      |       |      |    |      |     |      |      |      |
|------|-------|------|----|------|-----|------|------|------|
| TS   | AF    | MS   | MT | FS   | T   | S    | G    |      |
| 0000 | 00010 | 1101 | 0  | 0000 | 00  | 01   | 0000 |      |
| M    | AB    | IM   | LB | LA   | R   | F    | M    |      |
| 0    | 00    | 1000 | 00 | 00   | 100 | 0000 | 0    |      |
| C    | WR    | SC   | V  | W    | X   | SH   | B    | A    |
| 00   | 0     | 0    | 0  | 0    | 00  | 000  | 0000 | 0000 |

Again the S field is equal to 01 and the IM field is equal to 1000 specifying another instruction fetch using the program counter. In this case, however, the R field equals 100 specifying that the program counter will be incremented before it is used as an address. This microinstruction is not immediately executed since the previous microinstruction-initiated memory activity and the memory control remains busy until the first instruction from memory is loaded into the instruction buffer and the memory input latch (in memory control). At this time, execution of the current microinstruction is completed and the next microinstruction from location 02D becomes active. Normal addressing occurs again due to FS, TS, MT and T fields being zero. No other fields of the microinstruction are pertinent.

**SS3M**

Location 02D is another microprogram standard state labeled SS3M. It causes decoding of the instruction fetched from memory while checking for interrupts. It also transfers contents of the instruction buffer into the instruction register to make room for the next instruction from memory.

The microinstruction fields at 02D are:

|      |       |      |    |      |     |      |      |      |
|------|-------|------|----|------|-----|------|------|------|
| TS   | AF    | MS   | MT | FS   | T   | S    | G    |      |
| 1110 | 01101 | 0110 | 0  | 0000 | 00  | 00   | 0101 |      |
| M    | AB    | IM   | LB | LA   | R   | F    | M    |      |
| 0    | 00    | 0110 | 00 | 00   | 000 | 0000 | 0    |      |
| C    | WR    | SC   | V  | W    | X   | SH   | B    | A    |
| 00   | 0     | 0    | 0  | 0    | 00  | 000  | 0000 | 0000 |

This microinstruction manipulates no data paths nor does it initiate any memory cycles. Its sole purpose is to check for interrupts and, if there are none, cause a branch to the required microsequence. The T field is equal to 0 and the G field bit 0 is a one causing data transfer from the instruction buffer to the instruction register. With the S field equal to 00 and the G field bit 2 equal to one, interrupts and decoder addressing are enabled. The TS field defines the interrupts which are enabled: all except I/O interrupts unless the memory protection option is installed. The IM field specifies selection of the interrupt flag. If this flag is set, interrupts are suppressed. The flag is reset by this microinstruction. If an interrupt is active and the interrupt flag is not set, the next control store address is 0DX where X designates the four bits supplied by the interrupt logic. This produces a branch to the interrupt microprogram sequence.

Assuming no interrupts are present, the new control store address is determined by the decoder logic. The instruction fetched from memory is assumed to be 10F9 (hexadecimal) or 010371 (octal). This is a Varian 70 series LDA instruction with direct addressing of location 00F9 (hexadecimal). The most significant four bits of the instruction buffer address the first decoder control store at location 1. The next four bits address the second decoder control store at location 00. The decoder control store contents are:

**1st decoder**

Control store location 1                      B12 = 1  
    B8-B0 = 110000010

**2nd decoder**

Control store location 0                      A8-A0 = 010000000

Since B12 equals 1, the B8-B0 and A8-A0 address components are logically ORed to produce an address of 182.

**SWA10**

Location 182 contains the first microinstruction of the single-word addressing sequence (SWA10) for the instruction fetched from memory. It forms the effective address by masking bits 00 through 10 from the instruction register. It also initiates the operand fetch.

The microinstruction fields at 182 are:

|      |       |      |    |      |     |      |      |      |      |
|------|-------|------|----|------|-----|------|------|------|------|
| TS   | AF    | MS   | MT | FS   | T   | S    | G    |      |      |
| 0000 | 10010 | 1111 | 0  | 0000 | 00  | 01   | 0000 |      |      |
| M    | AB    | IM   | LB | LA   | R   | F    |      |      |      |
| 0    | 00    | 0101 | 10 | 00   | 011 | 1010 |      |      |      |
| M    | C     | WR   | SC | V    | W   | X    | SH   | B    | A    |
| 1    | 11    | 1    | 1  | 0    | 0   | 00   | 000  | 0000 | 0000 |

----- 16-bit mask literal -----

The LB field equals 10 so the ALU B input has the contents of the instruction register masked by the 16 bits of the M, C, WR, SC, V, W, X, SH and BB fields (a zero in the mask enables the corresponding instruction register bit). The mask equals F800 so the low order 11 bits of the instruction are used.

The ALU mode is determined by the F field (1010) in conjunction with the LB field (forces logical mode) resulting in an ALU function of the ALU = B.

The R field equals 011 so the ALU output is loaded into the operand register.

The S field equals 01 so unconditional memory control is specified by the IM field (0101) to fetch an operand into the memory input latch using the ALU output for an address source. This microinstruction is completed when the memory cycle initiated by the microinstruction at 092 is completed.

The FS, TS, T, and MT fields all contain zeros so normal addressing is used and the AF and MS fields specify the next control store address of 12F.

**SWA20**

Location 12F contains the second microinstruction of the single-word addressing sequence (SWA20). It decodes bits

13 through 15 of the instruction register contents to determine the class of the single-word addressing instruction.

The microinstruction fields at 12F are:

| TS   | AF    | MS   | MT | FS   | T  | S  | G    |
|------|-------|------|----|------|----|----|------|
| 0000 | 11110 | 1100 | 1  | 1111 | 00 | 00 | 0000 |

| M | AB | IM   | LB | LA | R   | F    | M |
|---|----|------|----|----|-----|------|---|
| 0 | 00 | 0000 | 00 | 00 | 000 | 0000 | 0 |

| C  | WR | SC | V | W | X  | SH  | B    | A    |
|----|----|----|---|---|----|-----|------|------|
| 00 | 0  | 0  | 0 | 0 | 00 | 000 | 0000 | 0000 |

No data manipulation or memory control operations are performed by this microinstruction. It serves only to branch to the specific microsequence for the class of single-word addressing instruction contained in the instruction register. Field-selection addressing is used for this decoding (FS field is not equal to 0000). The FS field is equal to 1111 so the selected field is bits 11 through 15 of the instruction register. The composite address formation is illustrated:

|   |      |   |   |   |   |   |   |   |   |
|---|------|---|---|---|---|---|---|---|---|
|   | 8    | 7 | 6 | 5 | 4 | 3 | 2 | 1 | 0 |
| AF field contribution:                                  | 1    | 1 | 1 | 1 | 0 | 0 | 0 | 0 | 0 |
|   | or:  | 1 | 1 | 1 | 1 | 0 | 0 | 0 | 0 |
| TS field contribution:                                  | 0    | 0 | 0 | 0 | 0 | 0 | 0 | 0 | 0 |
| Field selected from instruction register:<br>(I = 10F9) | 0    | 0 | 0 | 0 | 0 | 0 | 0 | 1 | 0 |
|   | and: | 0 | 0 | 0 | 0 | 0 | 0 | 0 | 0 |
| Mask consisting of MT and MS fields                     | 0    | 0 | 0 | 0 | 1 | 1 | 1 | 0 | 0 |

Final effective address  
produced by inclusive OR:  
1 1 1 1 0 0 0 0 0

The address of the next microinstruction is then 1E0.

## LDA1

Location 1E0 is the first microinstruction specifically for the LDA instruction (LDA1).

This microinstruction increments the program counter and initiates another instruction fetch from main memory.

| TS   | AF    | MS   | MT | FS   | T  | S  | G    |
|------|-------|------|----|------|----|----|------|
| 0000 | 01011 | 0101 | 0  | 0000 | 00 | 01 | 0000 |

| M | AB | IM   | LB | LA | R   | F    | M |
|---|----|------|----|----|-----|------|---|
| 0 | 00 | 1000 | 00 | 00 | 100 | 0000 | 0 |

| C  | WR | SC | V | W | X  | SH  | B    | A    |
|----|----|----|---|---|----|-----|------|------|
| 00 | 0  | 0  | 0 | 0 | 00 | 000 | 0000 | 0000 |

The RF field equal to 100 specifies that the program counter is incremented during this microinstruction.

The S field equals 01 so unconditional memory control is specified by the IM field (1000) to fetch an instruction into the instruction buffer and input latch using the program counter for an address source. (Note that the program counter is incremented during the microinstruction so the new value is used for the memory cycle).

Normal addressing is used to specify the next microinstruction address (T, TS, FS, MT fields are all zero). The AF and MS fields define the address as 0B5.

## LDA2

Location 0B5 is the second microinstruction specifically for the LDA instruction (LDA2). This microinstruction performs the following: transfers the contents of the memory input latch to the A register (R0), transfers the instruction buffer containing the next instruction to the instruction register to make room for the instruction whose fetch was initiated by the microinstruction 1E0, decodes the instruction buffer to determine the starting address of the next microsequence, and checks for interrupts.

The microinstruction fields at 0B5 are:

| TS   | AF    | MS   | MT | FS   | T  | S  | G    |
|------|-------|------|----|------|----|----|------|
| 1111 | 01101 | 0110 | 0  | 0000 | 00 | 00 | 0101 |

| M | AB | IM   | LB | LA | R   | F    | M |
|---|----|------|----|----|-----|------|---|
| 0 | 00 | 0110 | 01 | 00 | 000 | 1010 | 1 |

| C  | WR | SC | V | W | X  | SH  | B    | A    |
|----|----|----|---|---|----|-----|------|------|
| 00 | 1  | 0  | 0 | 0 | 00 | 000 | 0001 | 0000 |

The ALU B input is specified by the LB field (equal to 01) to be one of the special registers. The B field (equal to 0001) defines the memory input register as the source.

The ALU operation is specified to be in the logical mode (MF=1) with the ALU output equal to the ALU B input (FF=1010).

The WR bit equals a one so the ALU output data is written into the register specified by the A field (A=0000) which is the A register. This is the execution phase of the LDA instruction.

The S and T fields are both equal to 00 and the G field bit 0 is a one so the instruction buffer contents are transferred to the instruction register. The G field bit 2 is a one so the instruction decoder is enabled and interrupts are checked.

The IM field equal to 0110 with the SF field equal to 00 selects and resets the interrupt flag. If the flag is set, the decoded address and interrupts are suppressed and the next instruction is fetched from location 0D0. All interrupt classes are enabled as the TS field contains all ones. If

## THEORY OF OPERATION

an interrupt is active and the interrupt flag is off, only the decoded address is suppressed and the next microinstruction is fetched from the address specified by the A field and the interrupt logic. This address is 0DX where X is the address supplied by the interrupt logic (X = 0).

If no active enabled interrupts exist, the next microinstruction is fetched from the address specified by the decoder logic. If the instruction buffer contains another single-word addressing instruction, the next address will be 182 (SWA10) and the sequence will be repeated.

Figures 4-55 and 4-56 show a flowchart and the flow diagram of the microinstruction sequence described. Note that the pipeline effect of buffering instructions permits efficient use of the memory. (A 330-nanosecond semiconductor memory was assumed).

### 4.11.2 STA Instruction

This example illustrates the use of the equal-address flag MPLE+ (see address comparator in section 4.5.4) during execution of the STA instruction with direct addressing into location  $n + 1$  (where  $n$  is location of STA). The operation is divided into the four sequences as shown in figure 4-57.

#### SWA40

Microinstruction SWA40 (in location 181) initiates a memory request to store contents of the A register in memory location  $n + 1$ .

#### STA2

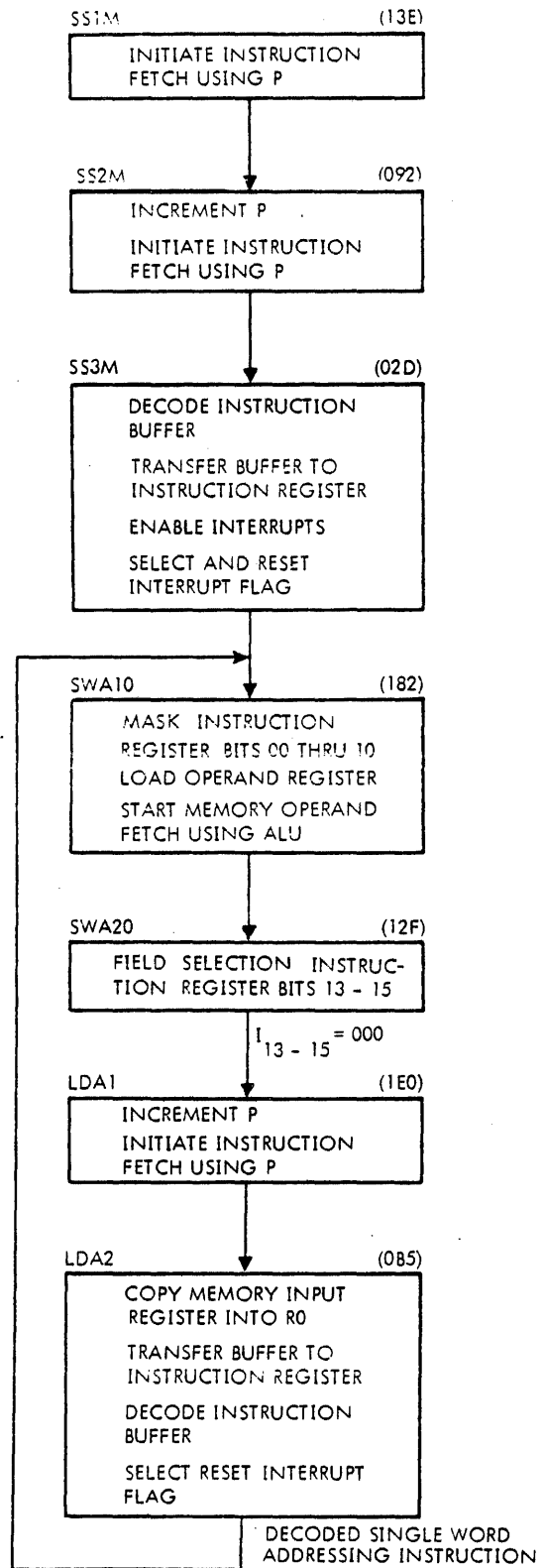
During the memory store operation, microinstruction STA2, (in location 11A) tests for equal addresses from the program counter and memory address lines. At the completion of STA2, MPLE+ is set indicating the addresses are equal.

#### STAX

Microinstruction STAX (in location 1DA) specifies a second memory request operation to maintain the instruction pipeline. The central control continues executing STAX until the memory store operation initiated by SWA40 is completed. At the completion of the memory store operation, contents of the A register are stored in both the instruction buffer and memory location  $n + 1$  (due to MPLE+).

#### SS3M

The central control now initiates the instruction fetch operation and enters standard state 3 (SS3M) to decode the next instruction (the one just loaded into the instruction buffer).



VT11-1938A

Figure 4-55. Flowchart for LDA Instruction

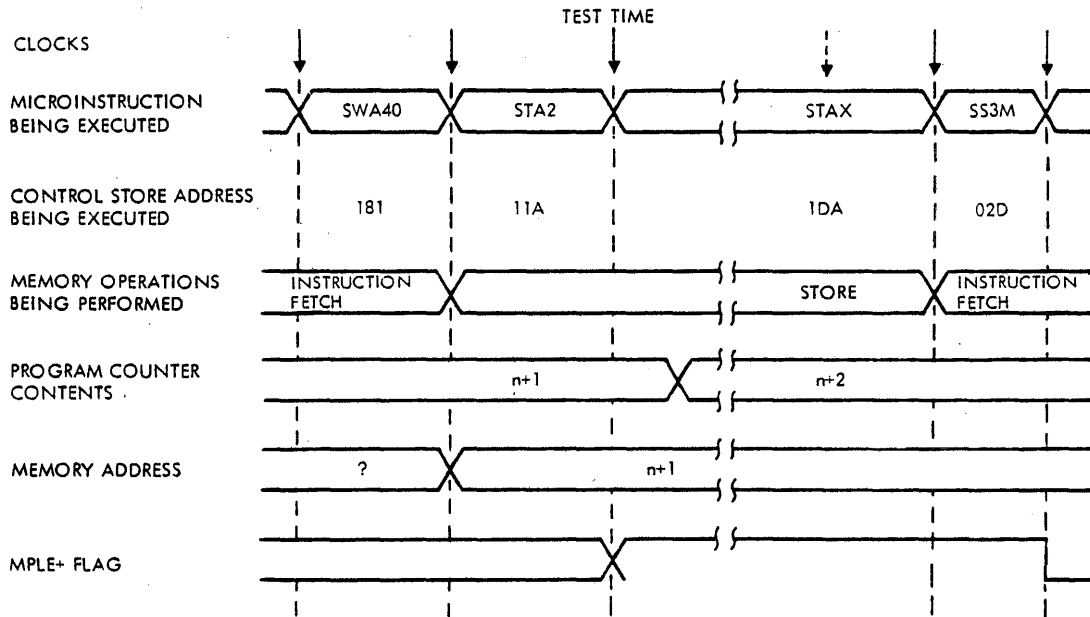
|            | IDENT (HEX. ADDR.) | SS1M (13E) | SS2M (92) | SS3M (2D)                    | SWA10 (182)             | SWA20 (12F)                  | LDA1 (1E0)    | LDA2 (0B5)                   |
|------------|--------------------|------------|-----------|------------------------------|-------------------------|------------------------------|---------------|------------------------------|
| MEMORY     | FUNCTION           |            | FETCH LDA | FETCH NEXT INST.             | FETCH NEXT INST.        | FETCH OPERAND                | FETCH OPERAND | FETCH THIRD INST.            |
|            | REQUEST            | IF         | IF        |                              | OF                      |                              | IF            |                              |
|            | ADDRESS            | P          | P         |                              | ALU                     |                              | P             |                              |
| ALU        | INPUT A            |            |           |                              |                         |                              |               |                              |
|            | INPUT B            |            |           |                              | 1 ^ 07FF                |                              |               | MIR                          |
|            | OUTPUT             |            |           |                              | TRNB                    |                              |               | TRNB                         |
|            | DESTINATION        |            |           |                              |                         |                              |               | RO                           |
| STATUS     | SAMPLE             |            |           |                              |                         |                              |               |                              |
|            | TEST               |            |           |                              |                         |                              |               |                              |
| ADDRESSING | MODE               |            |           | DECODE                       | FIELD SELECTION 113-115 |                              |               | DECODE                       |
|            | ADDRESS            | SS2M       | SS3M      | FROM DECODER                 | SWA20                   | LDA1-X WHERE X = 0,4,8,...28 | LDA2          | FROM DECODER                 |
| OTHER      | SPECIAL ACTIONS    |            | INCP      | ENABLE INTERRUPTS<br>IBR → I |                         |                              | INCP          | IBR → I<br>ENABLE INTERRUPTS |

NOTE:

Timing diagram shows the start-up and execution of a sequence of single-word addressing instructions (330 nanosecond memory cycle time is assumed).

VT11-2084

Figure 4-56. Flow Diagram of LDA Instruction



VT11-2168

Figure 4-57. STA Instruction Timing Diagram



## SECTION 5

### MAINTENANCE

Maintenance personnel should be familiar with the contents of this manual before attempting processor troubleshooting. The MAINTAIN III test program system (MAINTAIN III Manual) contains an instructions test program used to isolate a malfunction to a particular group of instructions. Further diagnosis can then be made by referring to this manual.

#### 5.1 TEST EQUIPMENT

The following test equipment and tools are recommended for processor maintenance:

- a. Oscilloscope, Tektronix type 547 with dual-trace plug-in unit, or equivalent.
- b. Multimeter, Triplet type 630 or equivalent.
- c. Soldering iron, 15-watt pencil type.

#### 5.2 CIRCUIT BOARDS

The processor and option boards are four-layer PC boards. The two outer layers provide signal interconnections for the circuit components. The two inner layers provide low-impedance ground and power-voltage distribution, and 90-ohm microstrip transmission lines for all signals. The ICs contained on the boards consist of LSI read only memories; MSI multiplexors, decoders, and registers; and SSI gates and flip-flops. The control-panel circuit board contains only

two outer layers for signal interconnections of the circuit components.

If it has been determined that circuit-board repair is required, it is recommended that the Sperry Univac customer service department be contacted so that a new circuit board can be installed in the user's system and the faulty one returned to the factory for repairs. However, if the user decides to perform his own repairs, extreme caution should be used so that the circuit board is not permanently damaged. Approved repair procedures should be followed such as the ones described in document IPC-R-700A prepared by the Institute of Printed Circuits.

#### 5.3 CIRCUIT-COMPONENT IDENTIFICATION

For IC components, the processor and option boards have location coordinates that are used in the logic diagrams as reference designations. For example, a flip-flop designated C8 in the processor logic diagram is in the IC package at location row-C column-8 on the processor board. For discrete components, the reference designations used in the logic diagrams appear on the circuit board adjacent to each component.

For the control-panel board all reference designations used in the logic diagrams appear on the circuit board adjacent to each component.

Parts lists in the System Maintenance Manual provide a cross reference between Sperry Univac and the manufacturers part numbers.

## SECTION 6 MNEMONICS

This section presents an alphabetized list of processor signal mnemonics with definitions (table 6-1), and describes certain conventions used in developing the mnemonics.

### Polarity

Plus or minus signs are included at the end of each processor mnemonic. The plus sign indicates the signal is at a high logical level when its function is being performed. The minus sign indicates the signal is at a low logical level when its function is being performed. A signal that is the logical inversion of another uses the same mnemonic with an opposite sign; these signals are complements of each other.

I/O bus signal mnemonics end with -I.

### Source Identification

The first letter of a signal mnemonic indicates the functional section in which it originates:

| First Letter | Source                |
|--------------|-----------------------|
| D            | Data loop             |
| C            | Central control       |
| M            | Memory control        |
| I            | I/O control           |
| N            | Control panel         |
| W            | Power supply          |
| L            | Common logic          |
| T            | TTY                   |
| A            | PMA                   |
| B            | Memory protection     |
| R            | Real-time clock       |
| F            | Power failure/restart |
| Y            | Memory                |

**Table 6-1. Mnemonics**

| Mnemonic | Description   |
|----------|---|
| CABRT-   | Implements the disabling of a memory request  |
| CACIDA + | Transfers contents of instruction decoder onto control-store address bus.               |
| CACIDB + | Transfers contents of instruction decoder onto control-store address bus.               |
| CACIDE + | Enables instruction decoding operations.  |
| CADEQ1   | System reset or control-panel interrupt (STEP).   |
| CBABE +  | Transfers contents of register-field selector onto control-store output bus (bits 0-7). |
| CBABn +  | Two bits, AB field  |
| CBAFn +  | Five bits, AF field   |
| CBAKE-   | Transfers bits from control-store output bus to A field                                 |
| CBFSn +  | Four bits, FS field   |
| CBGn +   | Four bits, G field  |
| CBIEN-   | Disables control-store output bits 0-7  |
| CBIMn +  | Three bits, IM field  |
| CBIn +   | 64 bits, control-store outputs  |
| CBMR +   | One bit, MR field   |
| CBMSn +  | Five bits, MS field   |
| CBMT +   | MT-field bit  |
| CBSn +   | Two bits, S field   |
| CBTn +   | Two bits, T field   |
| CBTSn +  | Four bits, TS field   |
| CCPRQ +  | Detects control-panel interrupt forcing control-store address to low state              |
| CDREN +  | Partial enable for instruction decoder  |
| CEADn-   | Nine bits, control-store address  |
| CEAFS +  | Transfers contents of instruction field selector to control-store address               |
| CEAIA +  | Enables interrupt request   |
| CEATS +  | Selects TS field for control-store address  |
| CEA1-    | Allows instruction field selection when T is not zero                                   |

**Table 6-1. Mnemonics** *(continued)*

| Mnemonics            | Description  |
|----------------------|--|
| CECKM-               | Clock control signal   |
| CESK +               | Supervisor control signal  |
| CFSA <sub>n</sub> +  | Five bits, instruction-field selector A output                               |
| CFSB <sub>n</sub> +  | Five bits, instruction-field selector B output                               |
| CIDA2 <sub>n</sub> + | Nine bits, instruction decoder A2 output                                     |
| CIDA3 <sub>n</sub> + | Nine bits, instruction decoder A3 output                                     |
| CIDIO +              | Output signal from instruction decoder, high for I/O operation               |
| CIDJMK +             | Processor decoded jump and mark  |
| CIDR +               | Special decoding of register-to-register instructions                        |
| CIDS2 <sub>n</sub> + | Two bits, instruction decoder output   |
| CIDS3 <sub>n</sub> + | Three bits, instruction decoder output                                       |
| CIDT32-              | Instruction decoder output   |
| CIDXX <sub>n</sub> + | Four bits 0, 2, 3, 5, instruction decoder output                             |
| CINTF +              | Processor interrupt flip-flop  |
| CINTS-               | When low, disables the instruction decoding logic                            |
| COVRM +              | Implements override of memory request  |
| CRQIO                | Processor I/O request  |
| CRQM +               | Requests memory service (in conjunction with CABRT-)                         |
| CSAMCC               | Enables conditional code control   |
| CSAMOV               | Enables overflow control   |
| CSEQ <sub>n</sub> +  | Three bits, decoded S field  |
| CTEQ <sub>n</sub> +  | Four bits, decoded T field   |
| C2! <sub>n</sub> -   | 16 bits, instruction register output   |
| DAL <sub>n</sub> +   | 16 bits, ALU outputs   |
| DASB <sub>n</sub> +  | When high, the last entry to the register file A address 0000 was negative   |
| DAZR-                | When low, the last entry to the register file A address 0000 was zero        |
| DBAD +               | Byte address   |
| DBC <sub>n</sub> -   | 16 bits, latch B feedback path   |
| DBS <sub>n</sub> +   | Four bits, gated address for register file B                                 |
| DBZB-                | When low, the last entry to the register file B address 0001 was zero        |
| DCIN-                | Decoded carry-in to bit 0 of ALU   |
| DCK <sub>n</sub> +   | Four bits, output of data loop key register                                  |
| DCNDC +              | At the last condition sampled, the carry-out of the ALU was true             |
| DCNOZ +              | At the last condition sampled, the output of the ALU was zero                |
| DCRY0 +              | Carry control LSB, bit 13 of mask field                                      |
| DCRY1 +              | Carry control MSB, bit 14 of mask field                                      |
| DCTZ +               | Shift count equals zero  |
| DC0 <sub>n</sub> +   | Carry-in signals from carry generator to ALU                                 |
| DDQS-                | Quotient bit input to DFBA0 +  |
| DEQ +                | At the last condition sampled, the A and B inputs to the ALU were equal      |
| DFAA <sub>n</sub> +  | Four bits, address for register file A                                       |
| DFAn-                | 16 bits, output of register file A   |
| DFBA <sub>n</sub> +  | Four bits, address for register file B                                       |
| DFB <sub>n</sub> -   | 16 bits, output of register file B   |
| DFLC <sub>n</sub> +  | Latch strobe, enables latch feedback path, disables all gating paths         |
| DFTT +               | When high, the condition is met for a jump, jump and mark, or execution test |
| DFUN0 +              | ALU function control LSB   |
| DFUN1 +              | ALU function control bit 1   |
| DFUN2 +              | ALU function control bit 2   |
| DFUN3 +              | ALU function control MSB   |

**Table 6-1. Mnemonics** *(continued)*

| Mnemonic | Description   |
|----------|---|
| DGLA0 +  | Latch A control LSB   |
| DGLA1 +  | Latch A control MSB   |
| DGLB0 +  | Latch B control LSB   |
| DGLB1 +  | Latch B control MSB   |
| DGMD +   | ALU mode control bit bit 15 of mask   |
| DGPR +   | Gates the P register through latch A  |
| DGn +    | Decoding signals of lower two bits of SH field                                      |
| DGRC0 +  | Register control LSB (R field)  |
| DGRC1 +  | Register control middle bit (R field)   |
| DGRC2 +  | Register control MSB (R field)  |
| DIMEN +  | Enables multiplication sign bit to bit 15 of latch A                                |
| DKABB    | Clock to control-store buffer bits 8 through 31 and 0 through 3                     |
| DKOR-    | Operand register clock  |
| DKPR-    | Program counter clock   |
| DKSCR-   | Shift counter clock   |
| DLAGL +  | Gates file A data shifted left through latch A                                      |
| DLAGR +  | Gates file A data shifted right through latch A                                     |
| DLAGS +  | Gates file A data straight through latch A  |
| DLBG1 +  | Gates I register through latch B  |
| DLBGM +  | Gates mask field through latch B  |
| DLBGS +  | Gates file B data straight through latch B  |
| DLBMX +  | Gates B multiplexor through latch B   |
| DLBn +   | 16 bits, latch B outputs  |
| DLCn +   | 16 bits, latch A feedback path  |
| DLTZ +   | The current contents of the I register bits 3-8 and bit 0 are zero                  |
| DMFC +   | Data loop full clock distribution   |
| DMODE +  | Decoded mode control to ALU   |
| DMXn-    | 16 bits, output of B multiplexor  |
| DORn +   | 16 bits, output of operand register   |
| DOSn +   | 2 bits, decoded control signals to operand register                                 |
| DOVF +   | When high, the overflow flag is set   |
| DOVSMP + | There is overflow, if the sample condition is on (set DOVF +)                       |
| DPRn +   | 16 bits, output of program counter  |
| DRCS +   | Increments shift counter  |
| DRC1 +   | Loads program counter   |
| DRC2-    | Loads shift counter   |
| DRC3-    | Loads operand register  |
| DRC4 +   | Increments program counter  |
| DRC6-    | Loads data-loop key register  |
| DRC7-    | Loads operand register and increments program counter                               |
| DR47 +   | DRC4 or DRC7  |
| DSCON +  | Enables shift or operand register (bit 11 of mask field)                            |
| DSCn +   | Five bits, shift counter outputs  |
| DSGN +   | At the last condition sampled, the output of the ALU was negative                   |
| DSGn +   | Carry-generating signals from ALU to carry generator                                |
| DSHFTn + | Three bits, controls latch A bits 15 and 0 for shift operations                     |
| DSL00 +  | Multiplexed shift left input to operand register                                    |
| DSM1-    | Transfers multiplication sign bit to bit 15 of latch A                              |
| DSPn +   | Carry propagating signals from ALU to carry generator                               |
| DSROV +  | Enables set or reset of overflow flag according to contents of control-store buffer |
| DSR15 +  | Multiplexed shift right input to operand register bit 15                            |

Table 6-1. Mnemonics (continued)

| Mnemonics | Description  |
|-----------|--|
| DTCND +   | When high, the current test being gated through the test multiplexor is true           |
| DTKL-     | When low, enables sample test flags  |
| DV +      | V field bit  |
| DW +      | W field bit  |
| DWCF +    | Enables data to be written into register files (bit 12 of mask field and WR field bit) |
| DWCN-     | When low, enables data to be written into register files                               |
| DXn +     | Two bits, control operand register (X field bits)                                      |
| DXZR-     | When low, the last entry to the X register (file address 0010) was zero                |
| DZTS-     | When low the ALU output is zero  |
| D3RC7-    | DRC3 or DRC7, either loads operand register  |
| IAKC1     | I/O acknowledgment of processor request (CRQIO +)                                      |
| IMAn +    | Eight bits, I/O multiplexor outputs  |
| IRAn +    | Eight bits, outputs of address counter (in I/O control)                                |
| IROn +    | 16 bits, outputs of I/O control-store  |
| IBAD      | Byte address   |
| iCA +     | Interrupt clock generator, flip-flop A   |
| ICB +     | Interrupt clock generator, flip-flop B   |
| ICC +     | Interrupt clock generator, flip-flop C   |
| ICD +     | Interrupt clock generator, flip-flop D   |
| ICD0B +   | Control signal for I/O multiplexor (in I/O data loop)                                  |
| ICD1 +    | Control signal for I/O multiplexor (in I/O data loop)                                  |
| ICD2B +   | Control signal for I/O register (in I/O data loop)                                     |
| ICD3B +   | Control signal for I/O register (in I/O data loop)                                     |
| ICD4A +   | Enables I/O drivers (in I/O data loop)   |
| ICRY +    | Reserved for future use  |
| IDCIR +   | When high, the processor is able to service interrupt                                  |
| IDN +     | I/O done flag sent to processor  |
| IDNC-     | I/O done signal sent to processor  |
| IDRY +    | DRYX-I, IUJX-I and DRYF-I timing signal  |
| IEFn +    | Three bits, least signification bits of I/O control-store word (buffer output)         |
| IEIDLE-   | Idle enable flag   |
| IEJMR +   | Enable IUJX-I  |
| IESMP +   | Sample period of normal interrupt clock  |
| IEWAIT +  | Wait enable flag   |
| IEXW +    | Exit external wait   |
| IFC +     | Full clock, 165 nanosecond period  |
| IFRY +    | FRYX-I, FRYF-I, and DRYF-I timing signal   |
| IHC +     | Half clock, 165 nanosecond period, 180 degree phase shifted from IFC                   |
| IHSD +    | High-speed DMA flip-flop   |
| IIDLE-    | Inhibit idle   |
| IIT-      | Inhibit timing   |
| IINHC-    | Clock inhibitor  |
| IINHf +   | Interrupt clock inhibitor, fast rate   |
| IINHn +   | Interrupt clock inhibitor, normal rate   |
| IINTF +   | I/O interrupt flag   |
| IJMRK +   | Decoded interrupt for a jump and mark instruction                                      |
| ILDAD-    | Loads address into address counter   |
| IMAn +    | Eight bits, I/O multiplexor outputs  |
| IMXAD +   | I/O control multiplexor selector   |
| INSD +    | DMA flip-flop  |
| IODC +    | Reserved for future use  |
| IOWB      | Word/byte  |
| IRAn +    | Eight bits, outputs of address counter (in I/O control)                                |

**Table 6-1. Mnemonics** *(continued)*

| Mnemonics | Description  |
|-----------|--|
| IROn +    | 16 bits, outputs of I/O control store  |
| IRQC +    | Interrupt request from I/O control to processor                                    |
| IRQM +    | I/O requested by the memory  |
| IRST-     | I/O reset  |
| ISMF +    | Reserved for future use  |
| ISMI      | Program interrupt pending  |
| ISRD +    | Sense flip-flop  |
| ITRPF +   | Fast trap request  |
| ITRPN +   | Normal trap request  |
| IUAF +    | Interrupt acknowledgment fast  |
| IUAX +    | Interrupt acknowledgment normal  |
| IURX +    | Program interrupt  |
| IWLMC-    | I/O write, left byte   |
| IWRMC-    | I/O write, right byte  |
| IXRSA3 +  | Bit 3 of external-request sequence address   |
| IXRSA4 +  | Bit 4 of external-request sequence address   |
| KKC2 +    | 165 nanosecond clock driver  |
| MABE +    | Transfers address to memory address bus  |
| MAKIO +   | Memory control acknowledges I/O  |
| MAKO +    | When high, the PMA request is accepted   |
| MAMn +    | 16 bits, memory address multiplexor output   |
| MASLn +   | Two bits, selection signals for memory address multiplexor                         |
| MCDFC-    | 165 nanosecond full clock, gated   |
| MCDHC-    | 165 nanosecond half clock, gated   |
| MCPA +    | Phase A, of clock generator  |
| MCPB +    | Phase B of clock generator   |
| MCRA +    | When high, the processor request is accepted on positive edge of full clock        |
| MCRB +    | When high, the processor request is accepted on negative edge of full clock        |
| MCRP +    | When high, the priority logic enables the processor's memory request               |
| MDBE +    | When high, enables memory data bus drivers   |
| MDMn +    | 16 bits, memory data multiplexor output  |
| MDNC-     | Memory done  |
| MFC-      | 165 nanosecond full clock  |
| MHC-      | 165 nanosecond half clock  |
| MILn +    | 16 bits, output of memory input latch  |
| MIMCn +   | Two bits, stores bits 0 and 1 of IM field to specifies read/write operation        |
| MIMNZ-    | Goes low when IM field bits 2 and 3 are not both zero                              |
| MIOLn +   | 16 bits, output of memory I/O latch  |
| MIOW +    | When high, a memory write operation for I/O data                                   |
| MIRA-     | When low, an I/O memory request is accepted on the positive edge of the full clock |
| MIRB +    | When high, an I/O memory request is accepted on negative edge of full clock        |
| MIRP +    | When high, an I/O memory request is enabled  |
| MMIL-     | Loads memory data into memory input latch  |
| MMIOL-    | Loads memory data into memory I/O latch  |
| MMII-     | Loads memory data into instruction buffer  |
| MPLE +    | Address comparator output  |
| MQC-      | Oscillator clock   |
| MRQ-      | Memory request from control sequencer  |
| MRQSC +   | Memory request sampling clock  |
| MRS1 +    | Memory sequencing flip-flop 1  |
| MRS2 +    | Memory sequencing flip-flop 2  |

## MNEMONICS

**Table 6-1. Mnemonics** *(continued)*

| Mnemonics | Description                                      |
|-----------|--|
| MRS3 +    | Memory sequencing flip-flop 3                    |
| MWLY +    | Left-byte control from memory writing drivers    |
| MWRY +    | Right-byte control from memory writing drivers   |
| MYAn +    | 15 bits, memory address bits                     |
| M1In +    | 16 bits, instruction register outputs            |
| SERX +    | Sense response                                   |
| SMRQ +    | Reserved for future use                          |
| XCSEN +   | When high, enables the control-store (read only) |

4

3

2

1

NOTES: (UNLESS OTHERWISE SPECIFIED)

1. THIS DRAWING CONSIST OF THE FOLLOWING SHEETS:  
1.0, 2.0, 2.1, 3.0, 7.0 THRU 89.0
2. ALL RESISTORS ARE 1/4W, ± 5%

| REVISIONS |       |          |   |                    |         |
|-----------|-------|----------|---|--------------------|---------|
| REV       | EN    | CHG CODE | DESCRIPTION   | APPROVED           | DATE    |
| X         | 12204 | -        | PROTOTYPE RELEASE   | <i>[Signature]</i> | 7/1/73  |
| X         | 12211 | -        | REVISED SHT. 7.0, 23.0, 27.0, 28.0, 49.0, 53.0, 60.0, 65.0, 73.0, 79.0, 81.0, 83.0, | <i>[Signature]</i> | 10/1/73 |
| A         | 12260 | -        | PRODUCTION RELEASE  | <i>[Signature]</i> | 10/1/73 |
| Z         | 12271 | 1        | REVISED SHTS 47.0, 50.0, 60.0, 61.0   | <i>[Signature]</i> | 5/17/74 |
| -         | 12281 | 2        | REVISED SHTS 81.0, 83.0   | <i>[Signature]</i> | 4/1/74  |
| C         | 12468 | 1        | ADDED IC LOCATION P4 TO SHEET 53.0 AND PERMISSIB TO 106-12                          | <i>[Signature]</i> | 5/3/75  |
| D         | 13706 | 1        | REVISED SHEETS 19.0, 34.0 & 60.0  | <i>[Signature]</i> | 4/2/75  |
| E         | 14077 | 1        | REVISED SHEETS 53.0 & 83.0  | <i>[Signature]</i> | 12/1/75 |
| F         | 14225 | 1        | REVISED SHEETS 60.0 AND 61.0  | <i>[Signature]</i> | 1/2/76  |
| G         | 14226 | 2        | ADDED E86 TO LAST USED REF DES, AND REVISED SHEETS 22.0 AND 24.0.                   | <i>[Signature]</i> | 11/1/75 |
| H         | 14589 | 1        | REVISED SHEETS 33.0 AND 61.0  | <i>[Signature]</i> | 1-4-77  |
| J         | 14721 | 1        | REVISED SHEETS 33.0, 59.0 AND 63.0  | <i>[Signature]</i> | 1-1-77  |
| K         | 17250 | E        | REVISED SHEETS 60.0, 61.0, 77.0   | <i>[Signature]</i> | 9/1/79  |

## REFERENCE DESIGNATIONS

| LAST USED | NOT USED |
|-----------|----------|
| R47       |          |
| C43       | C35, C42 |
| J13       | J1       |
| P1        |          |
| E86       | E1       |

## REFERENCE DRAWINGS

|         |              |
|---------|--------------|
| 44E0685 | ASSEMBLY     |
| 40E0613 | SCAPD DETAIL |
| 97E0866 | ARTWORK      |
| 97E0868 | SILKSCREEN   |
| 97E0867 | SOLDERMASK   |
| 44P0685 | PARTS LIST   |

|  |          |                |       |         |     |
|--|----------|----------------|-------|---------|-----|
| DR <i>MARGARELLA</i>   | 2-2-73   | SPERRY UNIVAC  |       |         |     |
| CHK <i>1/10</i>  | 12-17-73 |                |       |         |     |
| DRAWN  |          | TITLE          |       |         |     |
| ENGR <i>L. Ann</i>   | 12-12-73 | MEMORY MAP     |       |         |     |
| APPR <i>A. J. Ann</i>  | 12-12-73 | LOGIC DIAGRAM  |       |         |     |
| APPR <i>R. J. Ann</i>  | 12/15/73 |                |       |         |     |
| THIS DOCUMENT MAY CONTAIN PROPRIETARY INFORMATION AND SUCH INFORMATION MAY NOT BE DISCLOSED TO OTHERS FOR ANY PURPOSE OR USED TO PRODUCE THE ARTICLE OR SUBJECT WITHOUT WRITTEN PERMISSION FROM S.U. |          | CODE IDENT NO. | SIZE  | DWG NO. | REV |
|  |          | 21101          | C     | 7100448 | K   |
|  |          | SCALE          | SHEET |         |     |



| <u>DESCRIPTION</u>  | <u>TABLE OF CONTENTS</u> | <u>SHEET NO.</u> |
|---|--------------------------|------------------|
| POWER AND GND AND DECOUPLING  |                          | 3.0              |
| E-BUS DRIVERS/RECEIVERS BIT 0-7   |                          | 7.0              |
| E-BUS DRIVERS/RECEIVERS BIT 8-15  |                          | 8.0              |
| INTERRUPT ADDRESS, I/O ERROR KEY REGISTER, SYSTEM RESET,<br>E-BUS ENABLE  |                          | 9.0              |
| INPUT DATA MUX BIT 0-3  |                          | 10.0             |
| INPUT DATA MUX BIT 4-7  |                          | 11.0             |
| INPUT DATA MUX BIT 8-11   |                          | 12.0             |
| INPUT DATA MUX BIT 12-15  |                          | 13.0             |
| E-BUS MUX BIT 0-3   |                          | 14.0             |
| E-BUS MUX BIT 4-7   |                          | 15.0             |
| E-BUS MUX BIT 8-11  |                          | 16.0             |
| E-BUS MUX BIT 12-15   |                          | 17.0             |
| SENSE COMMAND DECODE, EXC COMMAND DECODE                                  |                          | 18.0             |
| OUTPUT DATA TRANSFER FUNCTION DECODE AND DATA PHASE CONTROL               |                          | 19.0             |
| INTERNAL STATUS REGISTERS, INPUT DATA TRANSFER CONTROL                    |                          | 20.0             |
| MEM ADDRESS REGISTER, DATA INPUT SOURCE, DATA TRANSFER DIRECTION          |                          | 21.0             |
| DMA XFER WORD COUNT REGISTER, START DMA CONTROL                           |                          | 22.0             |
| PRIORITY IN/OUT   |                          | 23.0             |
| DMA REQUEST CONTROL   |                          | 24.0             |
| DMA DATA PHASE CONTROL, MEMORY REQUEST INPUT INHIBIT,<br>RAM WRITE ENABLE |                          | 25.0             |
| DMA TRANSFER COMPLETE INTERRUPT, DMA INPUT BUFFER CONTROL                 |                          | 26.0             |
| DMA INPUT BUFFER  |                          | 27.0             |
| DMA MEMORY ADDRESS REGISTER   |                          | 28.0             |
| PROCESSOR, PMA KEY MUX  |                          | 29.0             |
| PROCESSOR, PMA, BIC KEY MUX   |                          | 30.0             |
| RAM ADDRESS MUX, RAM ROW SELECT   |                          | 31.0             |
| RAM ADDRESS AND WRITE ENABLE REPOWER                                      |                          | 32.0             |
| RAM ARRAYS COLUMN 11&12 DATA INPUT AND WRITE ENABLE                       |                          | 33.0             |
| RAM ARRAYS COLUMN 0   |                          | 34.0             |
| RAM ARRAYS COLUMN 1   |                          | 35.0             |
| RAM ARRAYS COLUMN 2   |                          | 36.0             |
| RAM ARRAYS COLUMN 3   |                          | 37.0             |
| RAM ARRAYS COLUMN 4   |                          | 38.0             |
| RAM ARRAYS COLUMN 5   |                          | 39.0             |
| RAM ARRAYS COLUMN 6   |                          | 40.0             |
| RAM ARRAYS COLUMN 7   |                          | 41.0             |
| RAM ARRAYS COLUMN 8   |                          | 42.0             |
| RAM ARRAYS COLUMN 9   |                          | 43.0             |
| RAM ARRAYS COLUMN 10  |                          | 44.0             |
| RAM ARRAYS COLUMN 11  |                          | 45.0             |
| RAM ARRAYS COLUMN 12  |                          | 46.0             |
| ACCESS CONTROL DECODE, MEMORY PROTECT ERRORS,<br>LOAD INSTRUCTION ADDRESS |                          | 47.0             |
| MEMORY PROTECT ERRORS   |                          | 48.0             |
| MEMORY PROTECT ENABLE, MEMORY PROTECT RESET, I/O DMA MEM PROTECT ERROR    |                          | 49.0             |
| MEMORY PROTECT INTERRUPT REQUEST  |                          | 50.0             |

DESCRIPTION

TABLE OF CONTENTS

SHEET 20

|   |      |
|---|------|
| UNASSIGNED ADDRESS ERROR REGISTER                       | 51.0 |
| INSTRUCTION ADDRESS REGISTER                            | 52.0 |
| MODE SWITCHING REGISTERS, EXECUTIVE MODE STATES         | 53.0 |
| OPERATING MODE REGISTERS, MEMORY REQUEST OUTPUT INHIBIT | 54.0 |
| MEMORY ADDRESS RECEIVERS                                | 55.0 |
| ADDRESS DRIVERS, BIT 9-15                               | 56.0 |
| LOCKOUT, MEMORY ADDRESS REPOWER, BIT 0-8                | 57.0 |
| ADDRESS REPOWER BIT 9-15                                | 58.0 |
| MEMORY REQUEST, MODE SWITCHING IN PROGRESS              | 59.0 |
| DELAYED MEMORY REQUEST                                  | 60.0 |
| MEMORY DONE, MEMORY WRITE DISABLE                       | 61.0 |
| DATA RECEIVERS  | 62.0 |
| INPUT BUFFER  | 63.0 |
| MUX BIT 0-1   | 64.0 |
| 2-3   | 65.0 |
| 4-5   | 66.0 |
| 6-7   | 67.0 |
| 8-9   | 68.0 |
| 10-11   | 69.0 |
| 12-13   | 70.0 |
| 14-15   | 71.0 |
| 16-17   | 72.0 |
| DATA MUX BIT  | 73.0 |
| BUS 0, POWER AND GROUND                                 | 74.0 |
| MEMORY ADDRESS 1  | 75.0 |
| ADDRESS 2   | 76.0 |
| ADDRESS 3   | 77.0 |
| CONTROL   | 78.0 |
| DATA 1  | 79.0 |
| DATA 2  | 80.0 |
| MEMORY BUS 0, MEMORY CONNECTOR FUNCTION                 | 81.0 |
| CONNECTOR FUNCTION                                      | 82.0 |
| MEMORY BUS 1, INTERFACE                                 | 83.0 |
| MEMORY BUS 1, INTERFACE                                 | 84.0 |
| 2, 2  | 85.0 |
| 2, 2  | 86.0 |
| 3, 1  | 87.0 |
| MEMORY BUS 3, INTERFACE                                 | 88.0 |
| 2   | 89.0 |

4

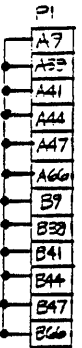
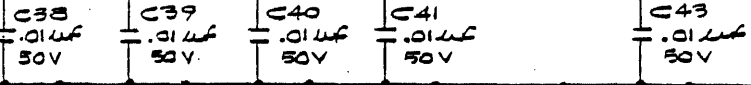
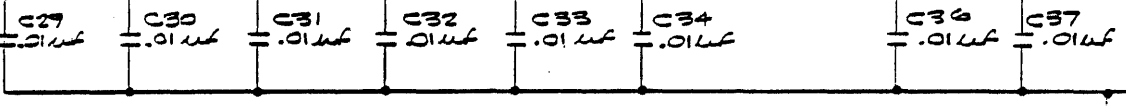
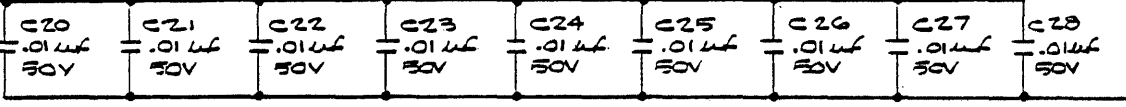
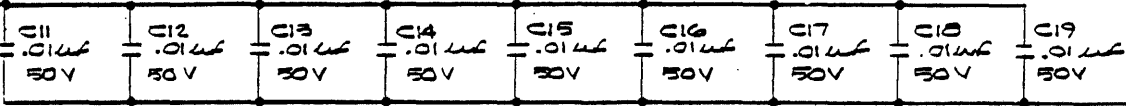
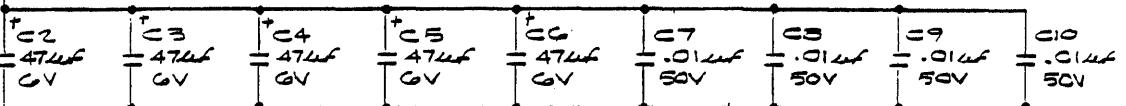
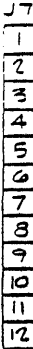
3

2

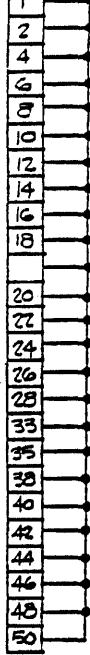
1

-5V MEMORY CONTROL 73.0

+5V



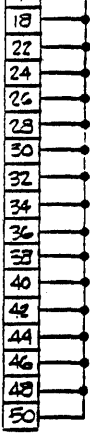
J3



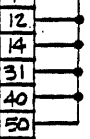
J4



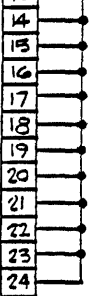
J5



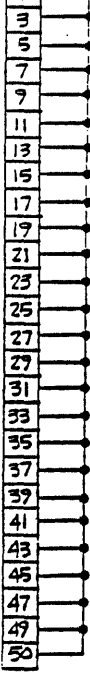
J6



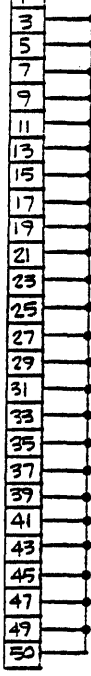
J7



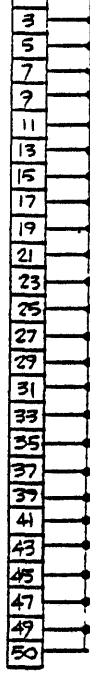
J8



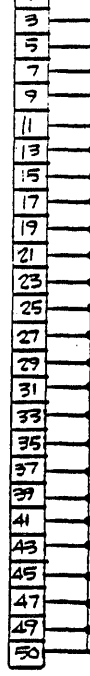
J9



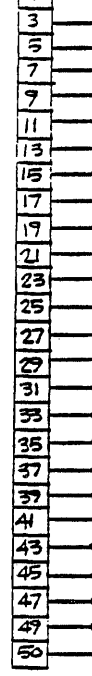
J10



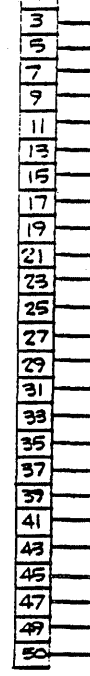
J11



J12



J13



D

C

B

A

|               |      |           |     |
|---------------|------|-----------|-----|
| DOC IDENT NO. | SIZE | DWG NO.   | REV |
| 21101         | C    | 910448    | X   |
| SCALE         |      | SHEET 3.0 |     |

4

3

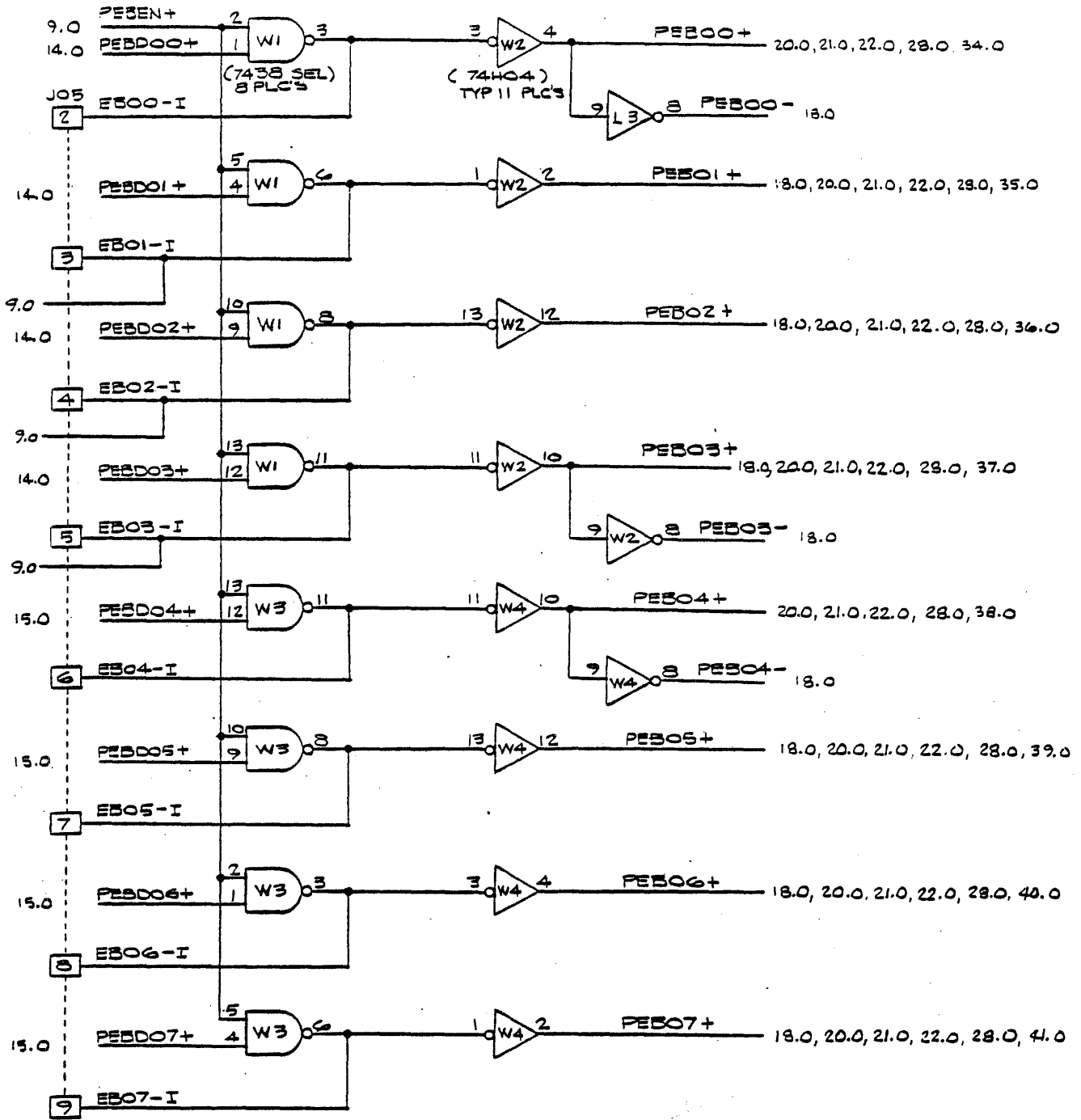
2

1

D

C

B



E-BUS DRIVERS/RECEIVERS  
BIT 0-7

| CODE IDENT NO. | SIZE | DWG NO. | REV.      |
|----------------|------|---------|-----------|
| 21101          | C    | 910448  | .K        |
| SCALE          |      |         | SHEET 7-0 |

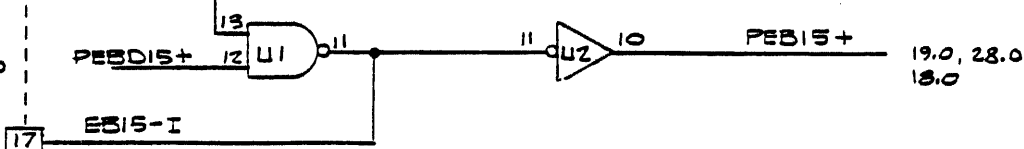
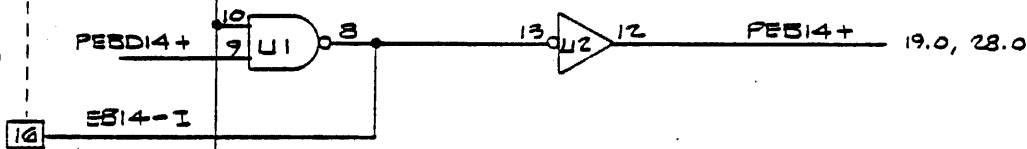
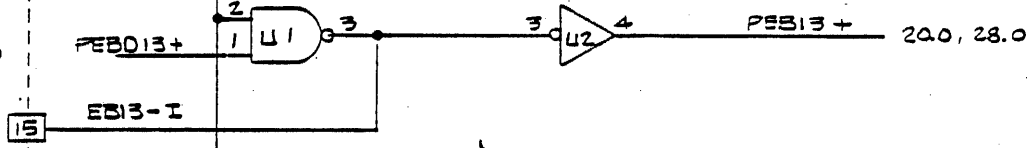
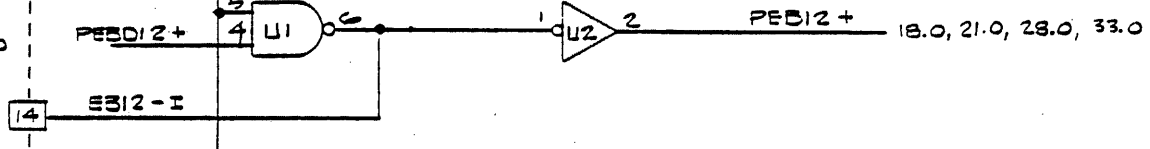
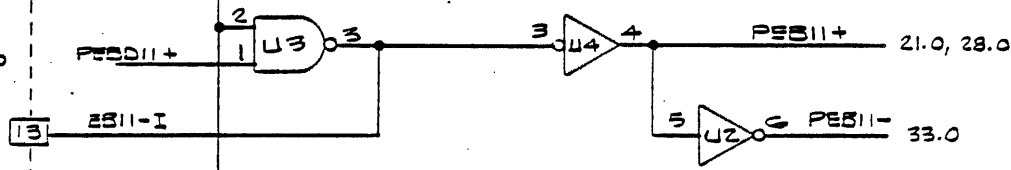
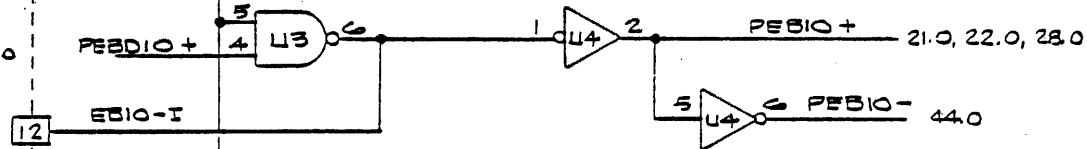
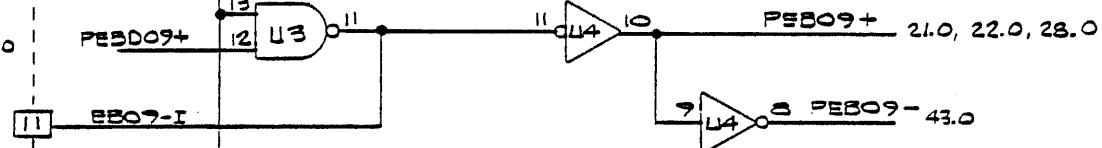
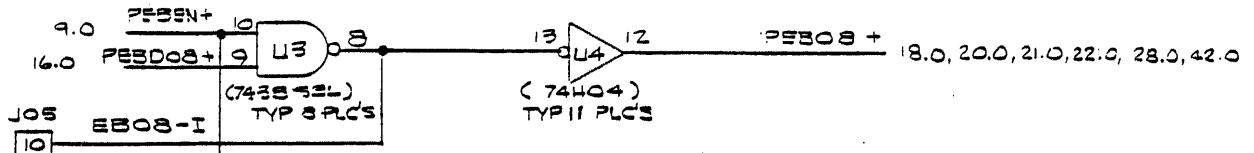
4

3

2

1

D



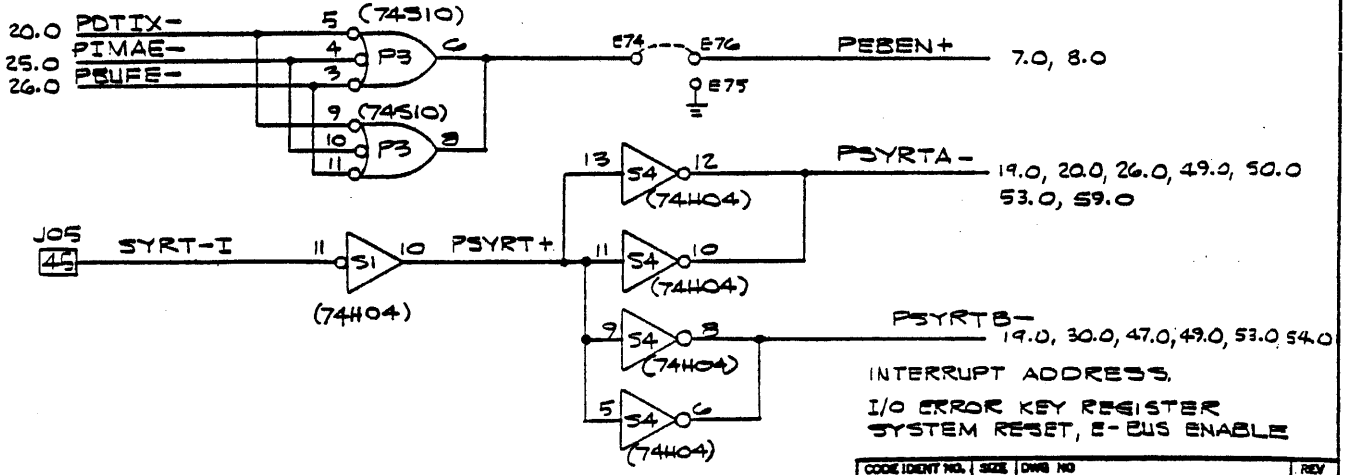
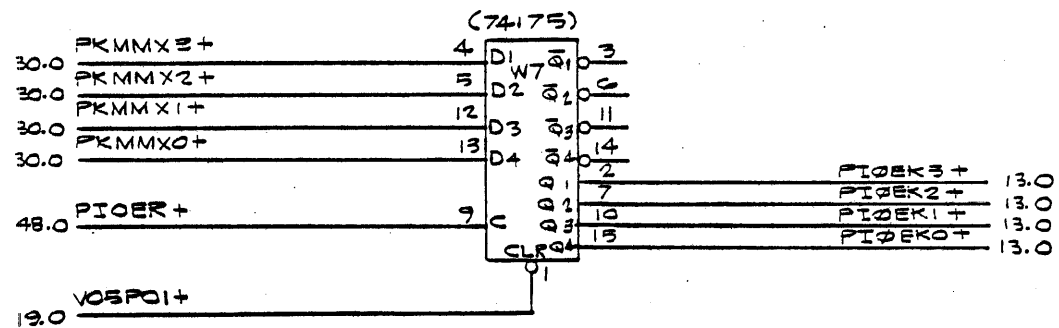
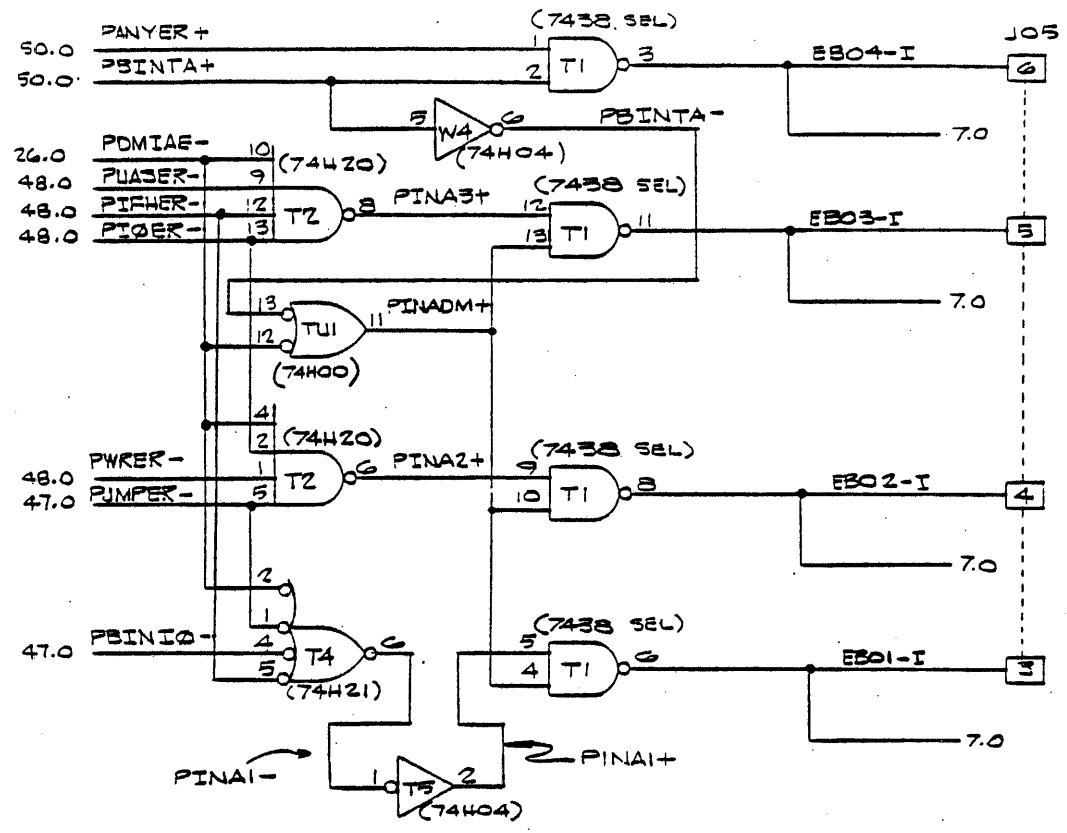
C

B

A

E-BUS DRIVERS/RECEIVERS  
BIT 8-15

| CODE IDENT NO. | SIZE | DWG NO. | REV       |
|----------------|------|---------|-----------|
| 21101          | C    | 91C0448 | K         |
| SCALE:         |      |         | SHEET 8.0 |



INTERRUPT ADDRESS.  
I/O ERROR KEY REGISTER  
SYSTEM RESET, E-BUS ENABLE

|                |      |         |           |
|----------------|------|---------|-----------|
| CODE IDENT NO. | SIZE | DWG NO. | REV       |
| 21101          | C    | 91C0448 | K         |
| SCALE          |      |         | SHEET 9.0 |

4

3

2

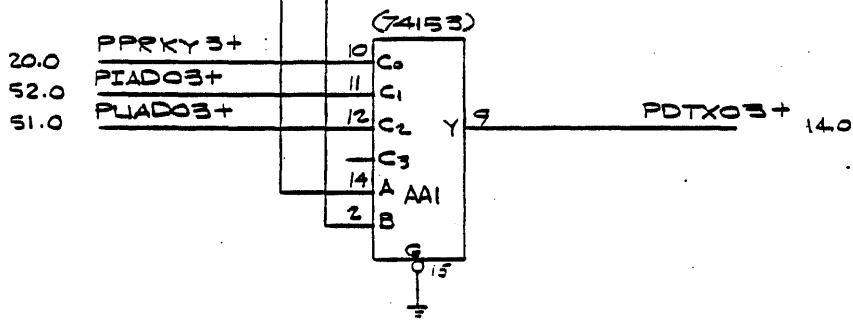
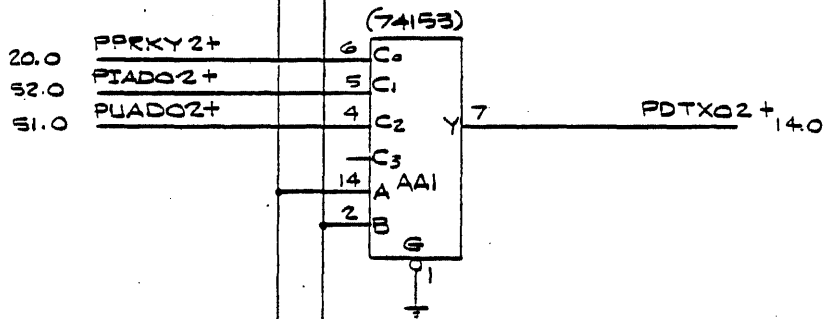
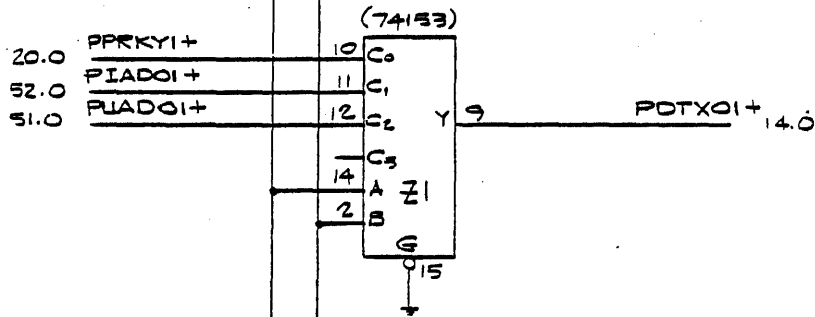
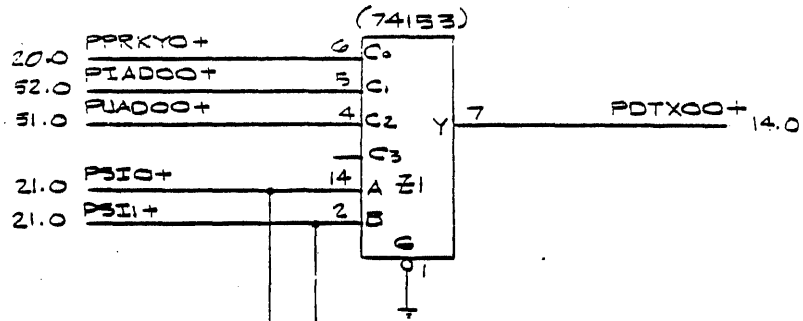
1

D

C

B

A



INPUT DATA MUX  
BIT 0-3

| CODE IDENT NO. | SIZE | DATE NO | REV        |
|----------------|------|---------|------------|
| 21101          | C    | 91C0448 | X          |
| SCALE          |      |         | SHEET 10 0 |

4

3

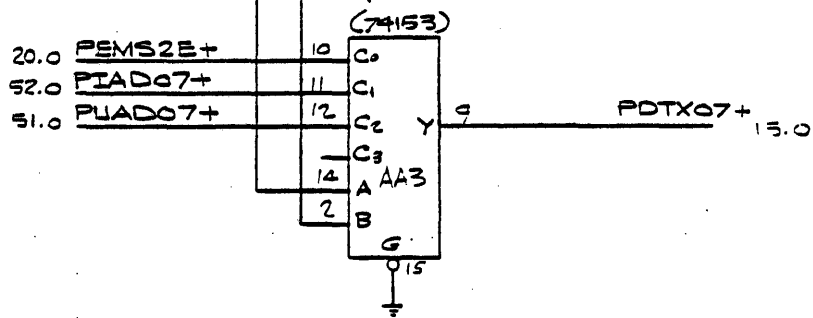
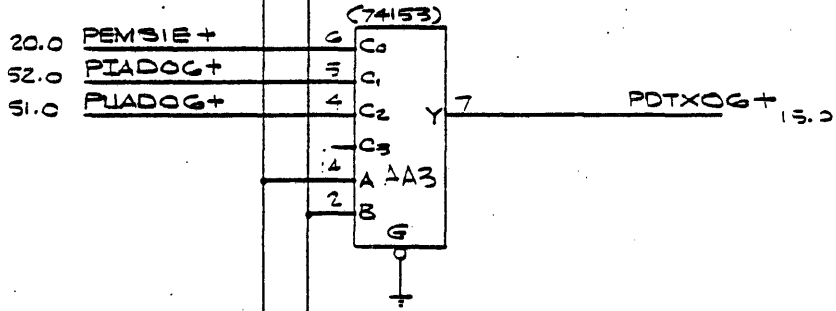
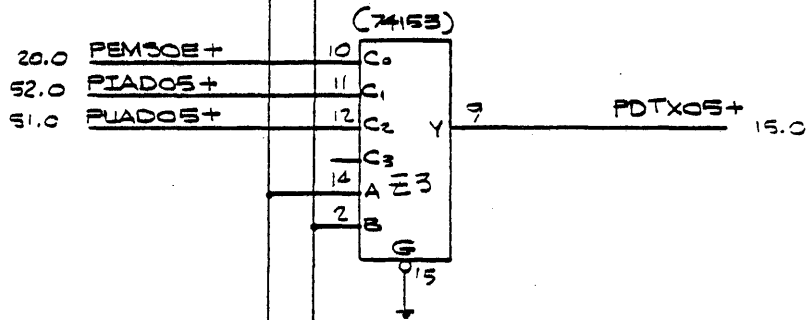
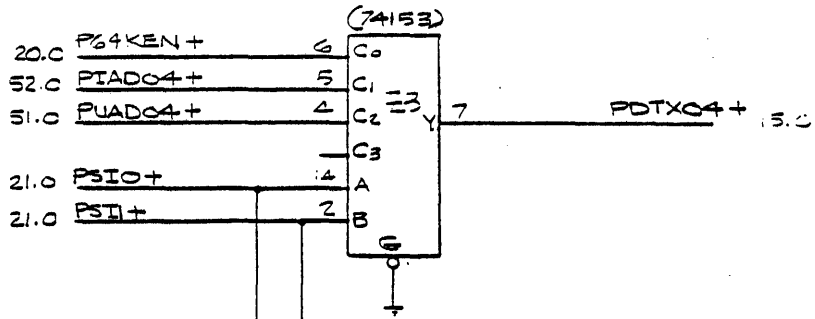
2

1

D

C

B



INPUT DATA MUX  
BIT 4-7

| CODE IDENT NO. | SIZE     | DRWG NO. | REV |
|----------------|----------|----------|-----|
| 21101          | C        | 91C0448  | X   |
| SCALE          | SHEET 11 |          | 0   |



4

3

2

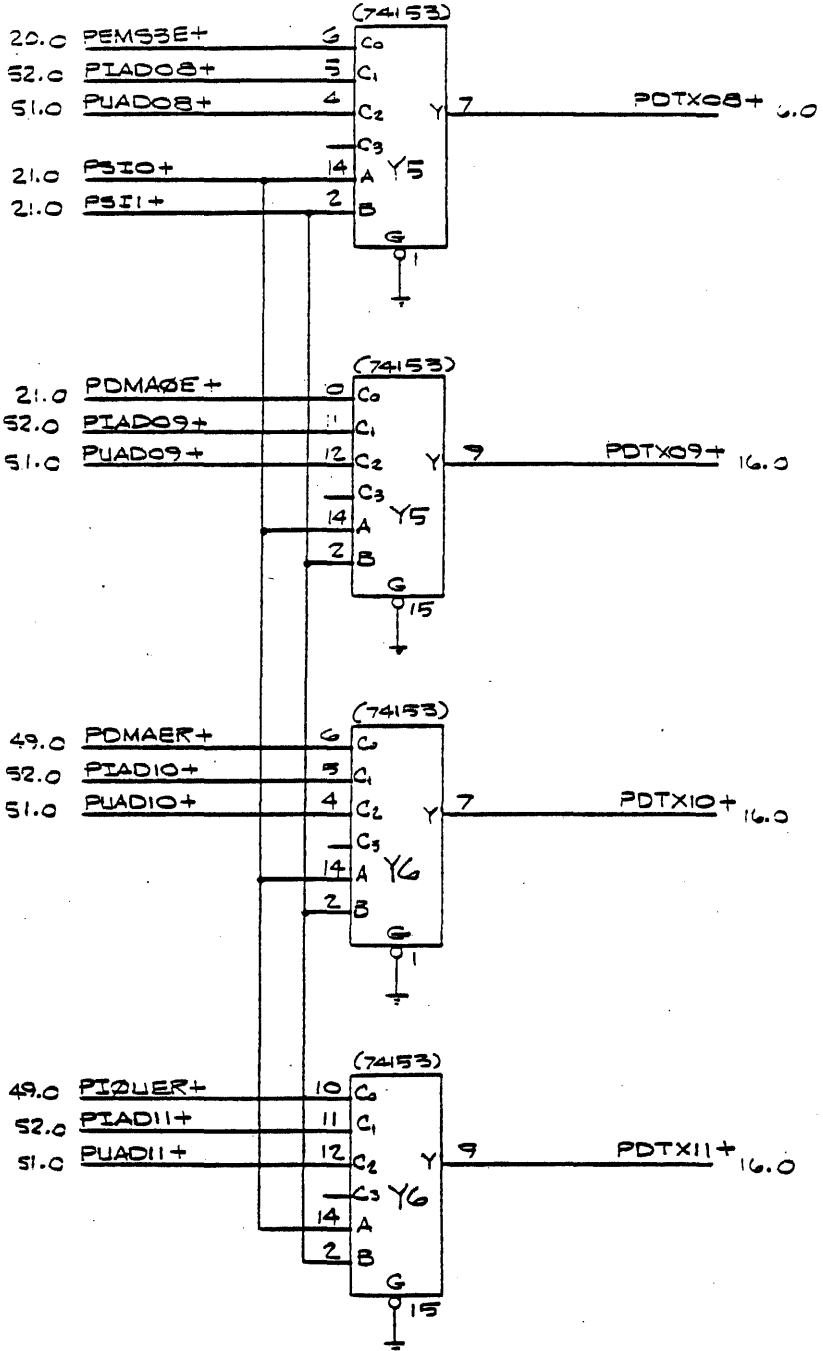
1

D

C

B

A



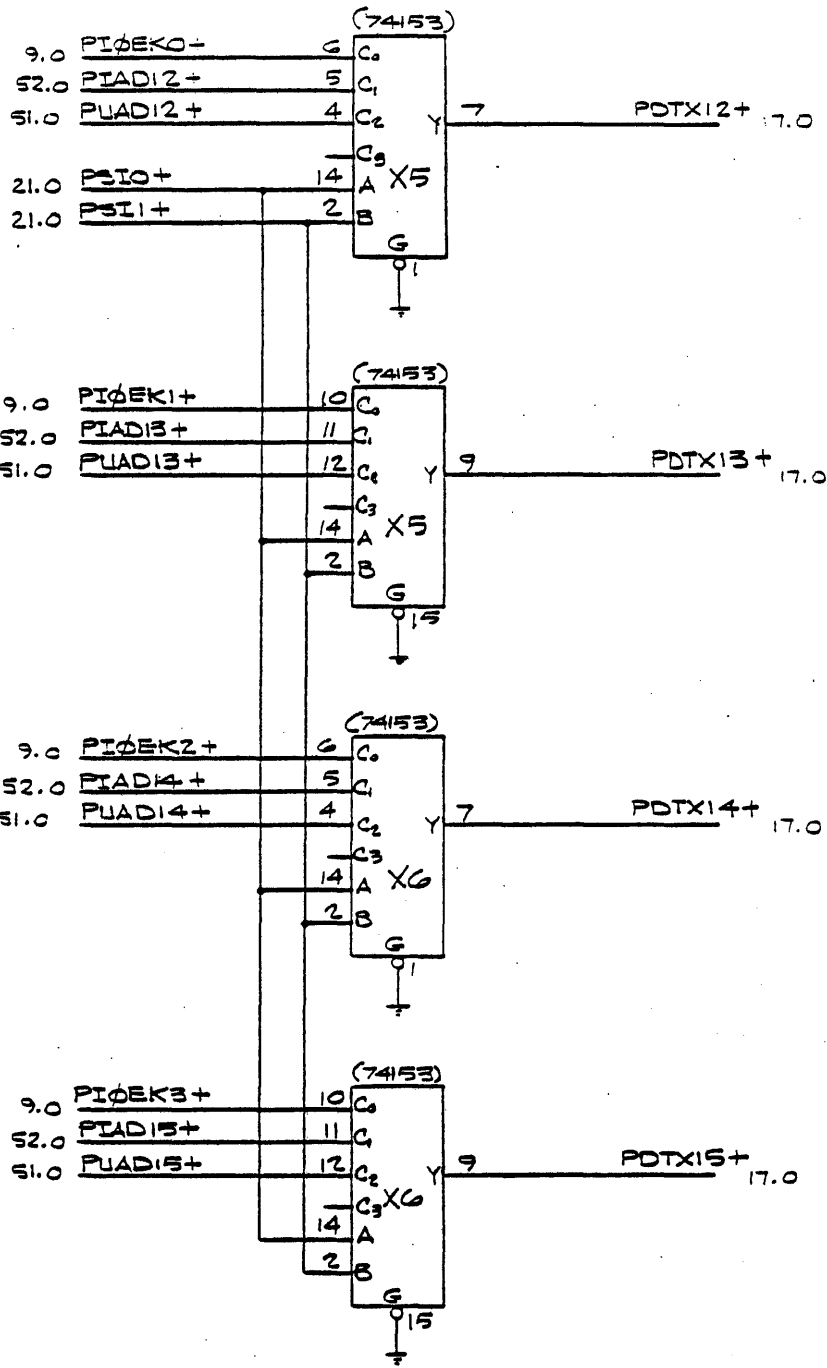
INPUT DATA MUX  
BIT 8-11

| CODE IDENT NO. | SIZE       | QWB NO. | REV |
|----------------|------------|---------|-----|
| 21101          | C          | 91C0448 | 1   |
| SCALE          | SHEET 12.0 |         |     |

D

C

B



INPUT DATA MUX  
BIT 12-15

| CODE IDENT NO. | SIZE | DATE NO    | REV |
|----------------|------|------------|-----|
| 21101          | C    | 91C0448    | K   |
| SCALE          |      | SHEET 13.0 |     |

4

3

2

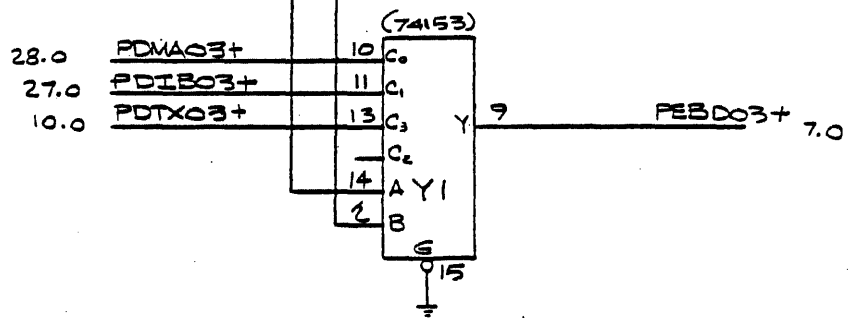
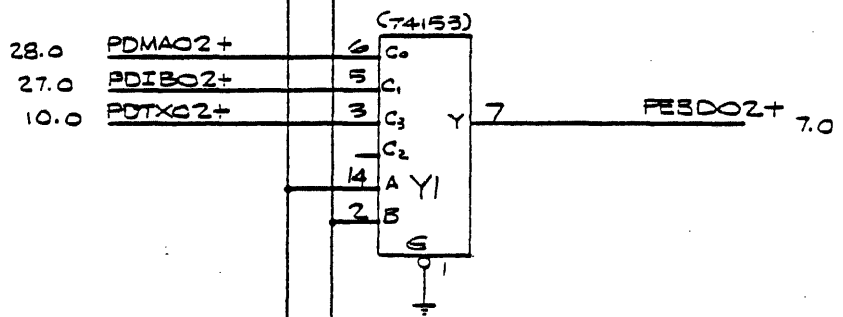
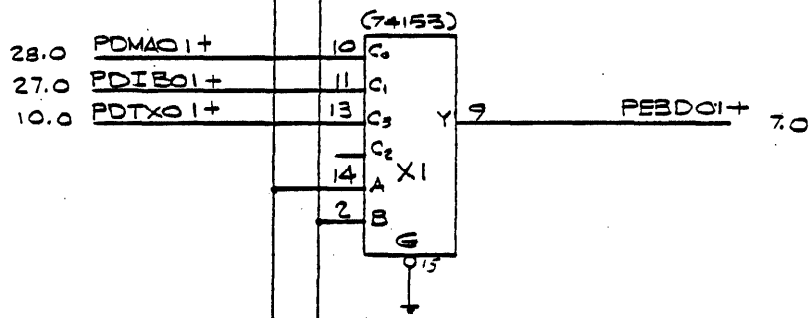
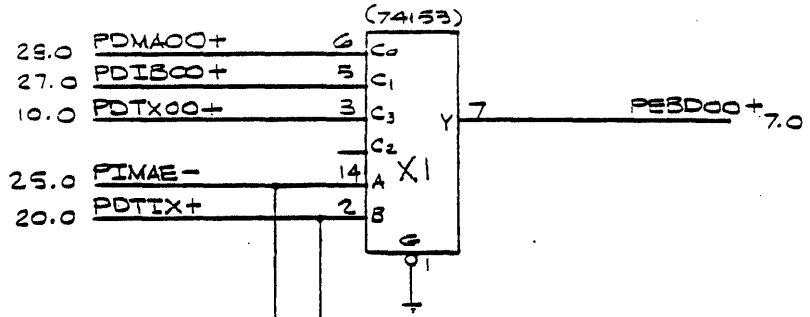
1

D

C

B

A



E-BUS MUX  
 BIT 0-3

| CODE FRONT NO. | SIZE       | DATE NO | REV |
|----------------|------------|---------|-----|
| 21101          | C          | 91C0448 | K   |
| SCALE          | SHEET 14.0 |         |     |

4

3

2

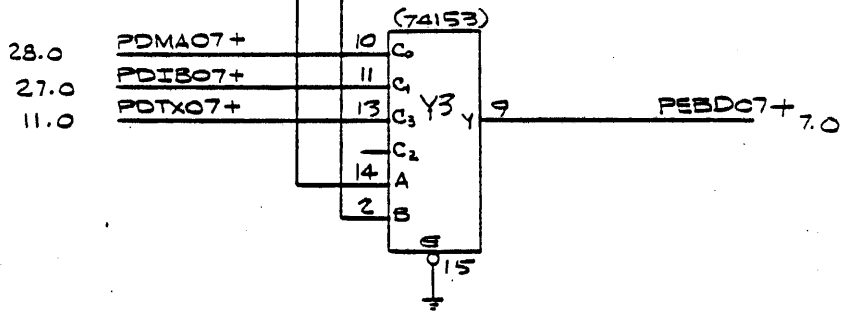
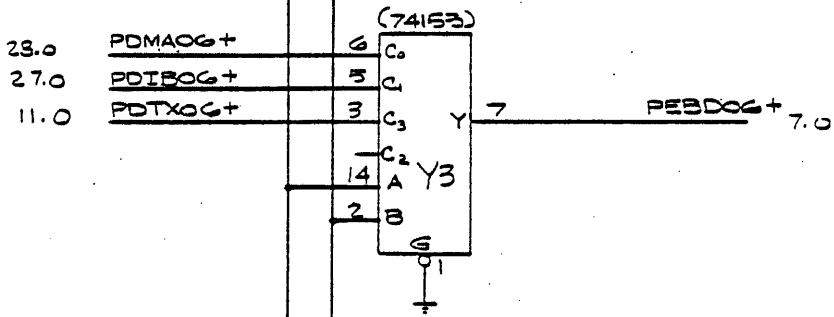
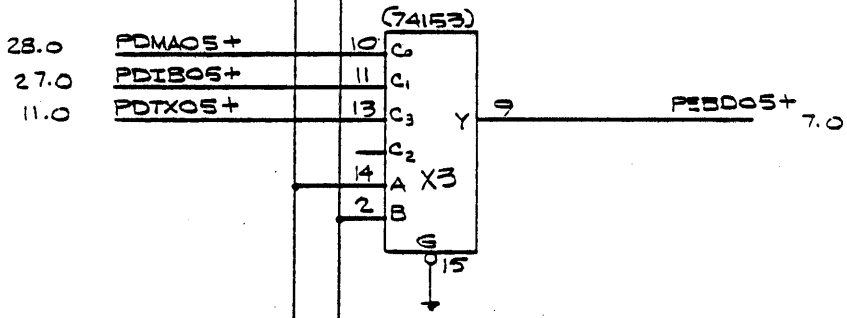
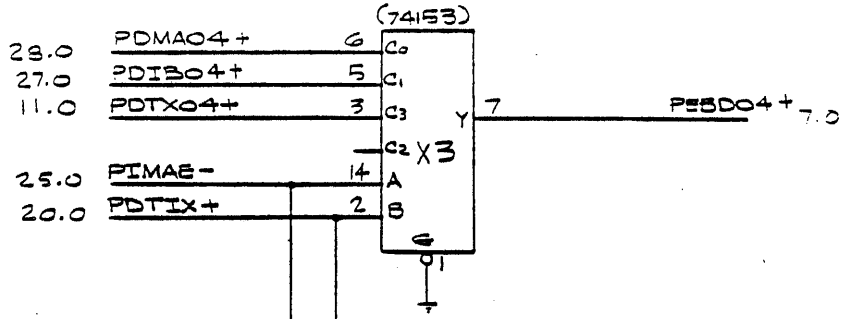
1

D

C

B

A



E-BUS MUX  
 BIT 4-7

| CODE IDENT NO. | REV | DATE       | BY |
|----------------|-----|------------|----|
| 21101          | C   | 9/10/48    | X  |
| SCALE          |     | SHEET 15.0 |    |

4

3

2

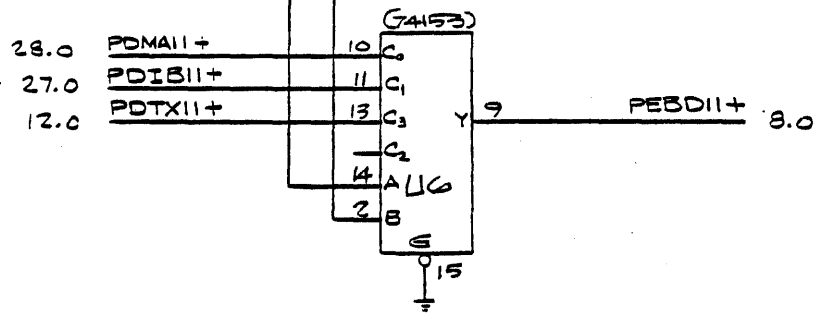
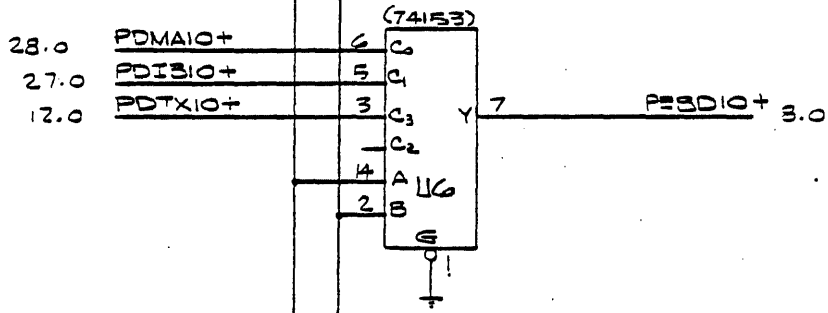
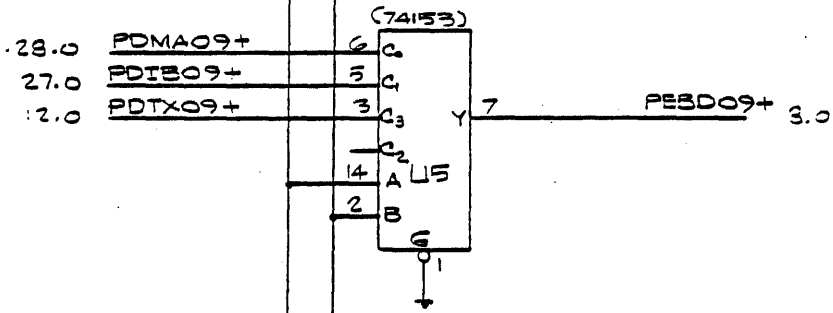
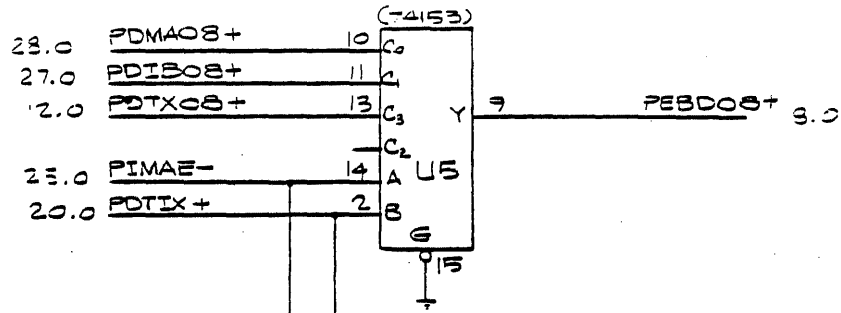
1

D

C

B

A



E-BUS MUX  
BIT 8-11

| CODE IDENT NO. | REV        | DWG NO  | REV |
|----------------|------------|---------|-----|
| 21101          | C          | 9100448 | K   |
| SCALE          | SHEET 16-0 |         |     |

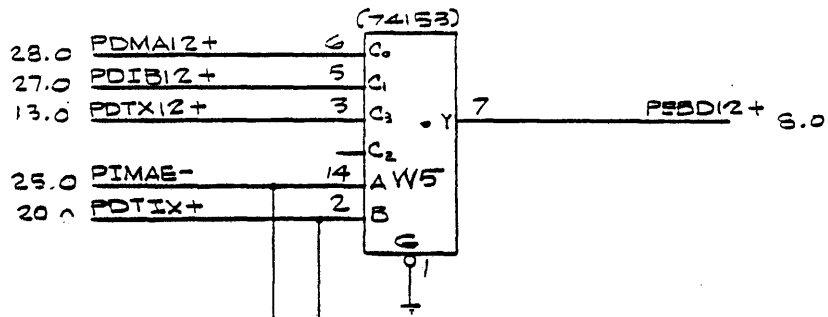
4

3

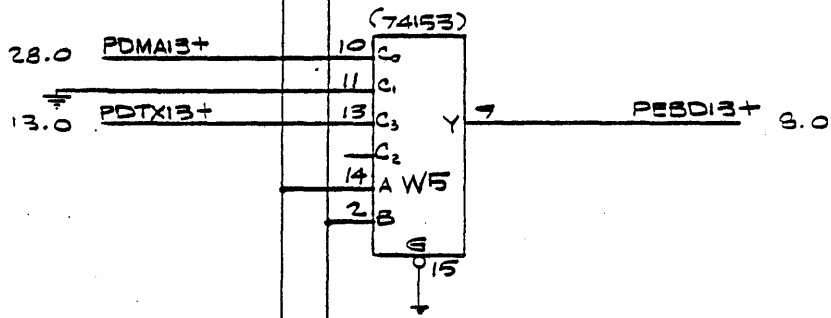
2

1

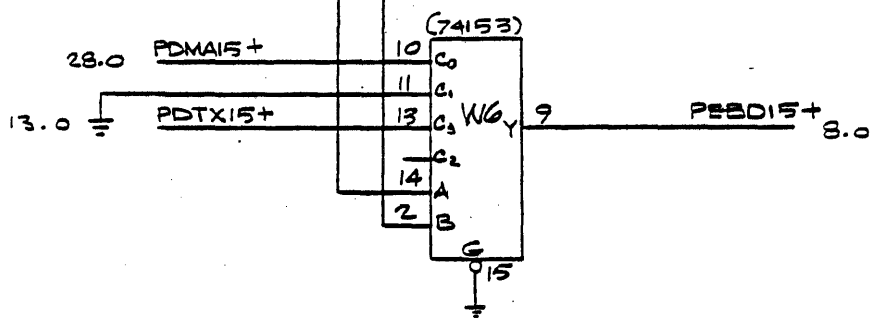
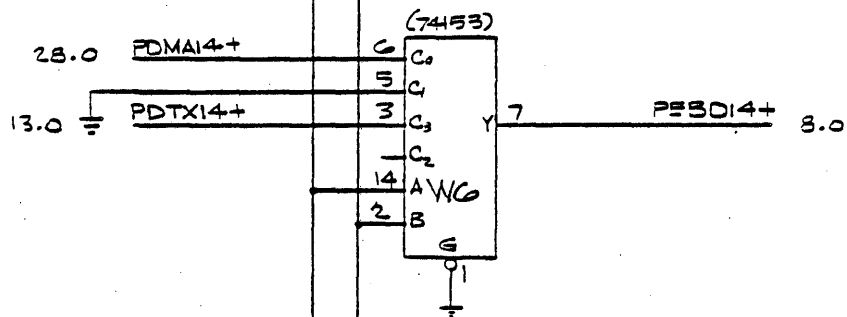
D



C



B



E-BUS MUX  
BIT 12-15

| CODE IDENT NO. | SIZE       | DATE NO | REV |
|----------------|------------|---------|-----|
| 21101          | C          | 91C0448 | K   |
| SCALE          | SHEET 17.0 |         |     |

4

3

2

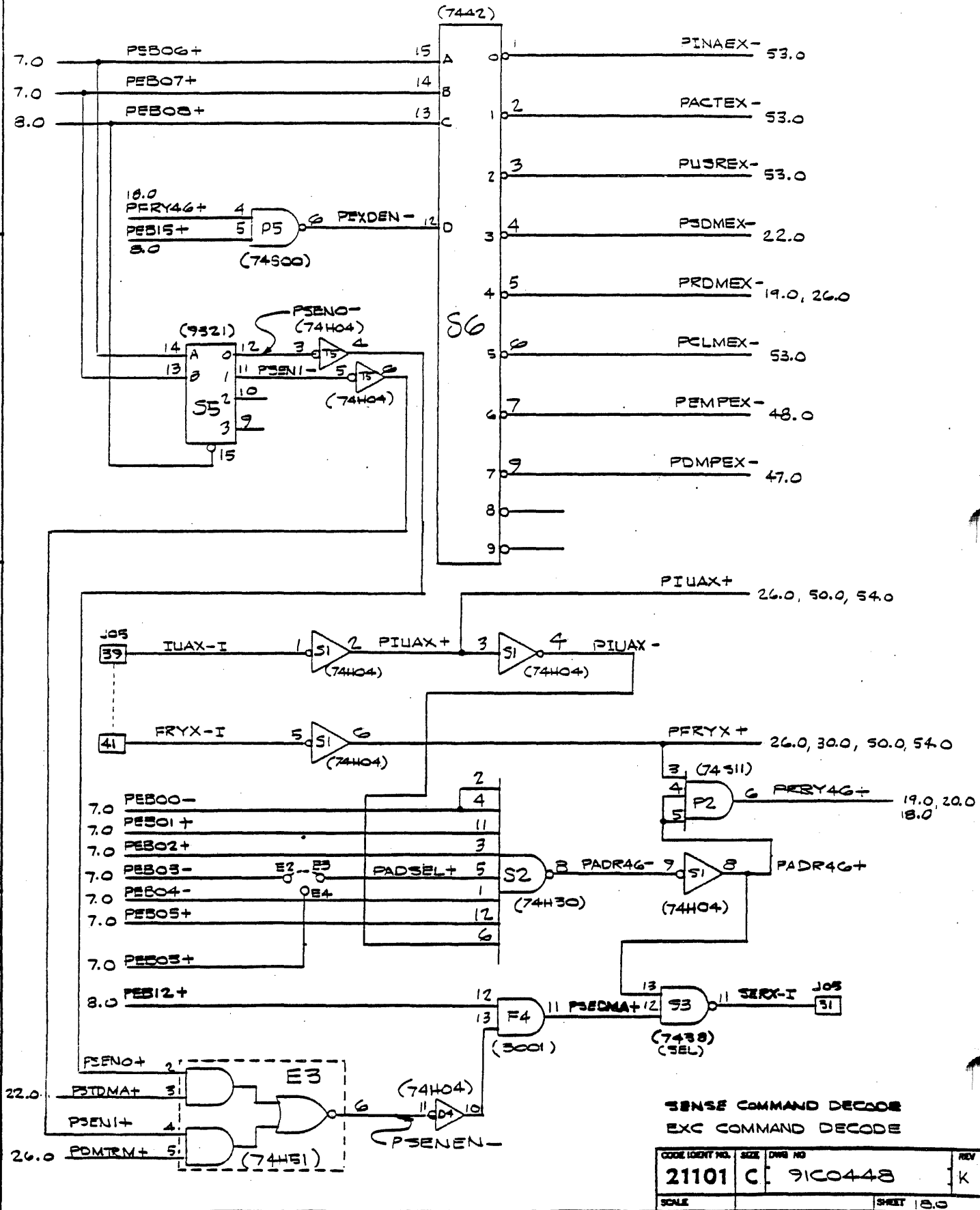
1

D

C

B

A

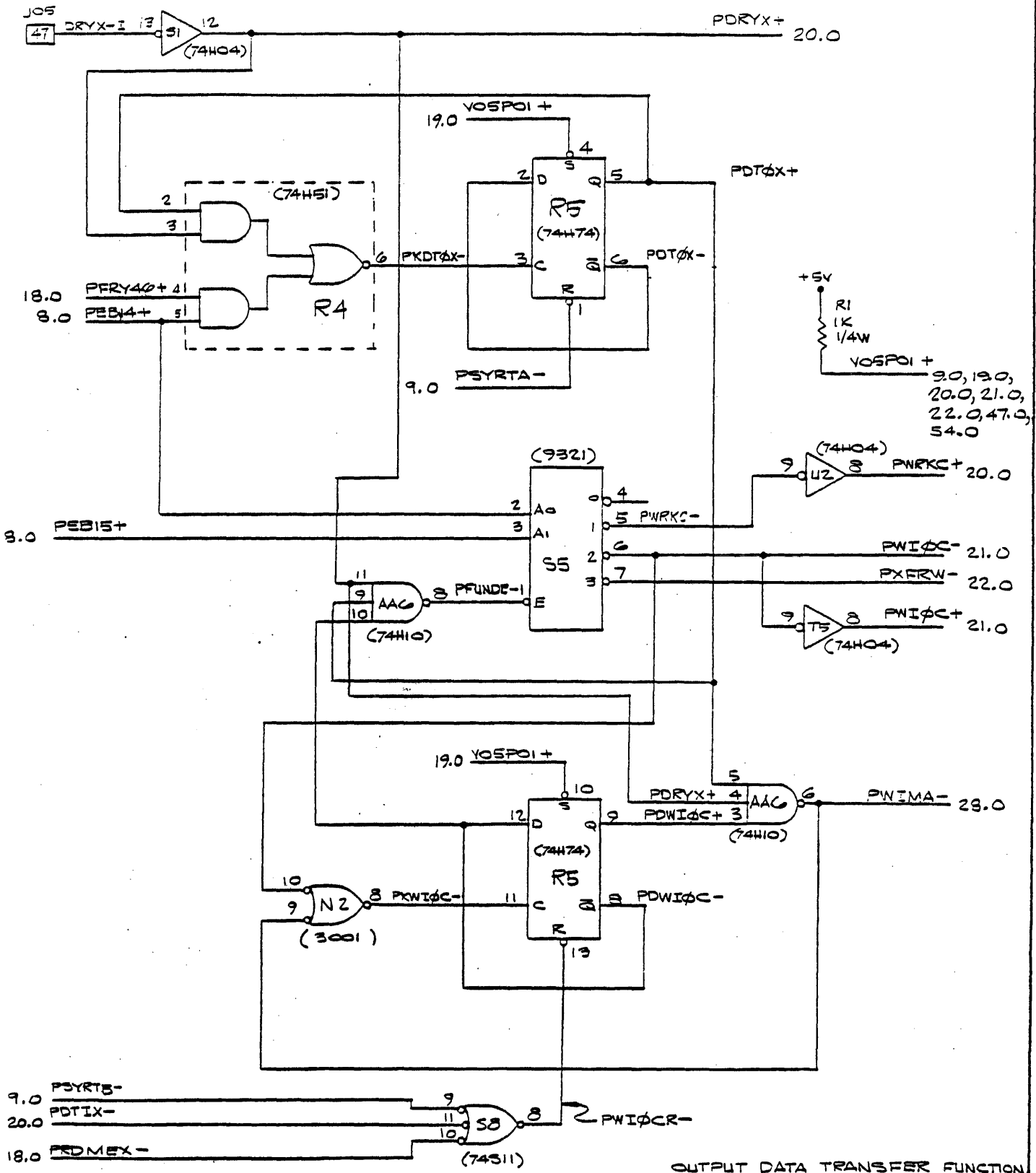


SENSE COMMAND DECODE  
 EXC COMMAND DECODE

|                |            |         |     |
|----------------|------------|---------|-----|
| CODE IDENT NO. | SIZE       | DWG NO  | REV |
| 21101          | C          | 91C044B | K   |
| SCALE          | SHEET 18.9 |         |     |

4 3 2 1

D  
  
C  
  
B



OUTPUT DATA TRANSFER FUNCTION  
DECODE AND DATA PHASE CONTROL

|                |      |         |            |
|----------------|------|---------|------------|
| CODE IDENT NO. | SIZE | DWG NO  | REV        |
| 21101          | C    | 91C0448 | K          |
| SCALE          |      |         | SHEET 19-0 |



4

3

2

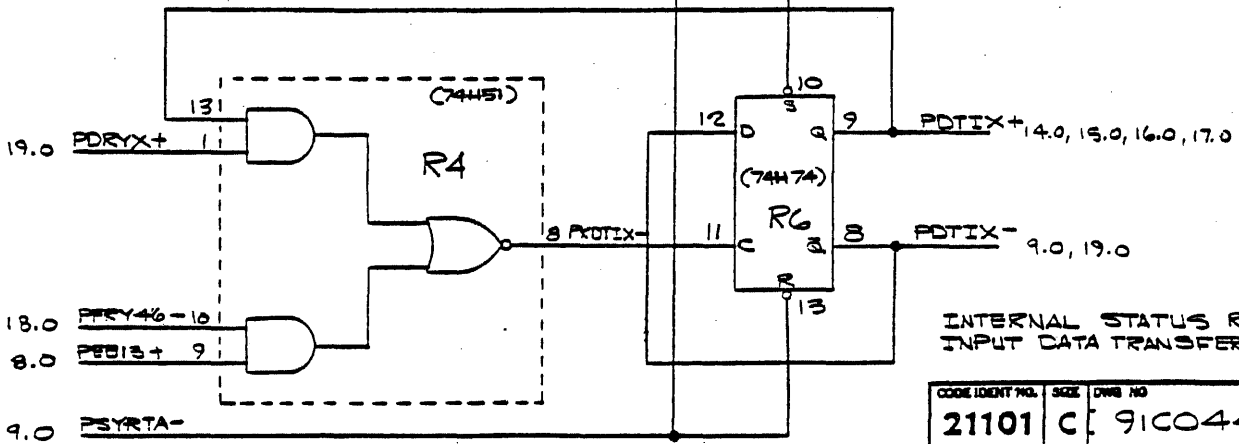
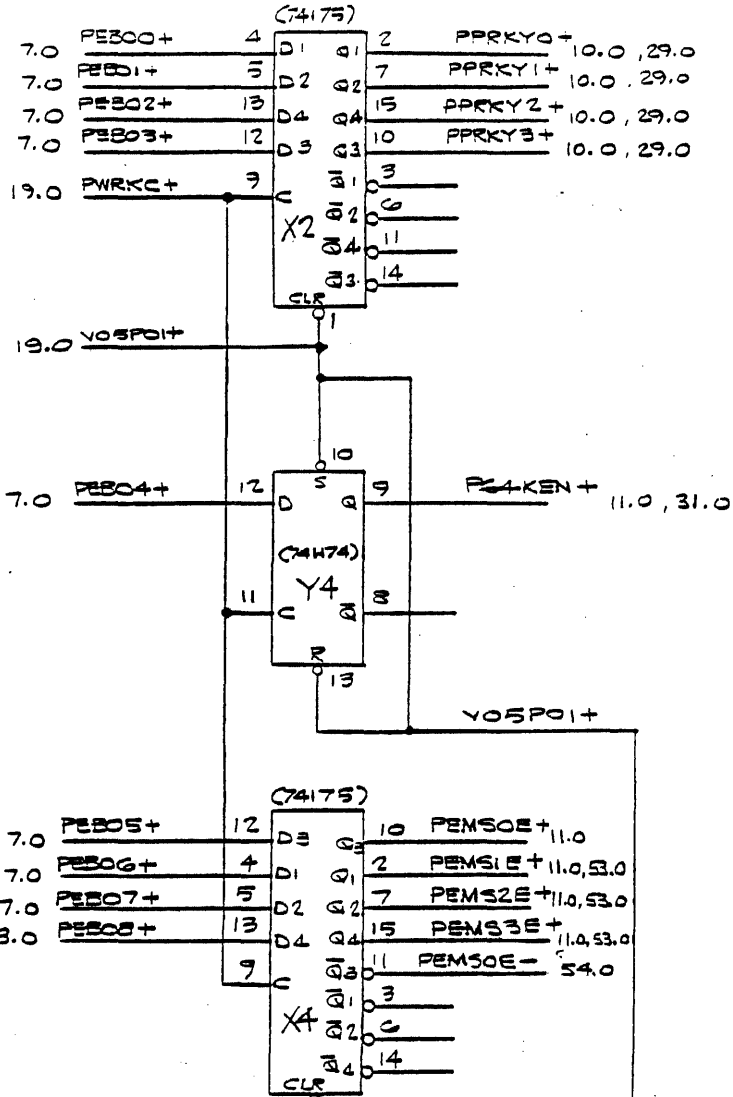
1

D

C

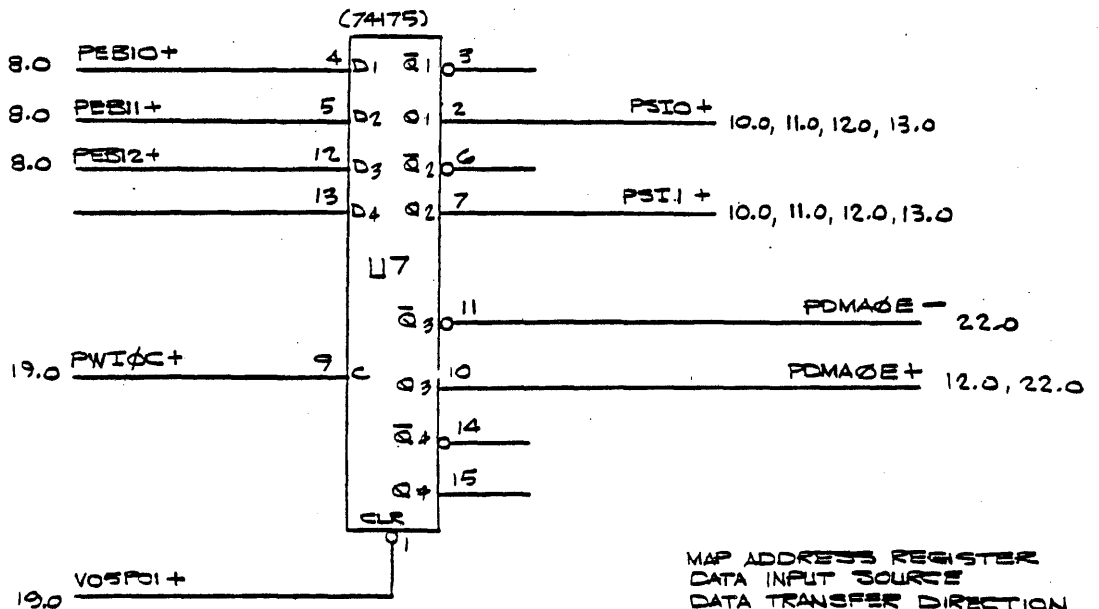
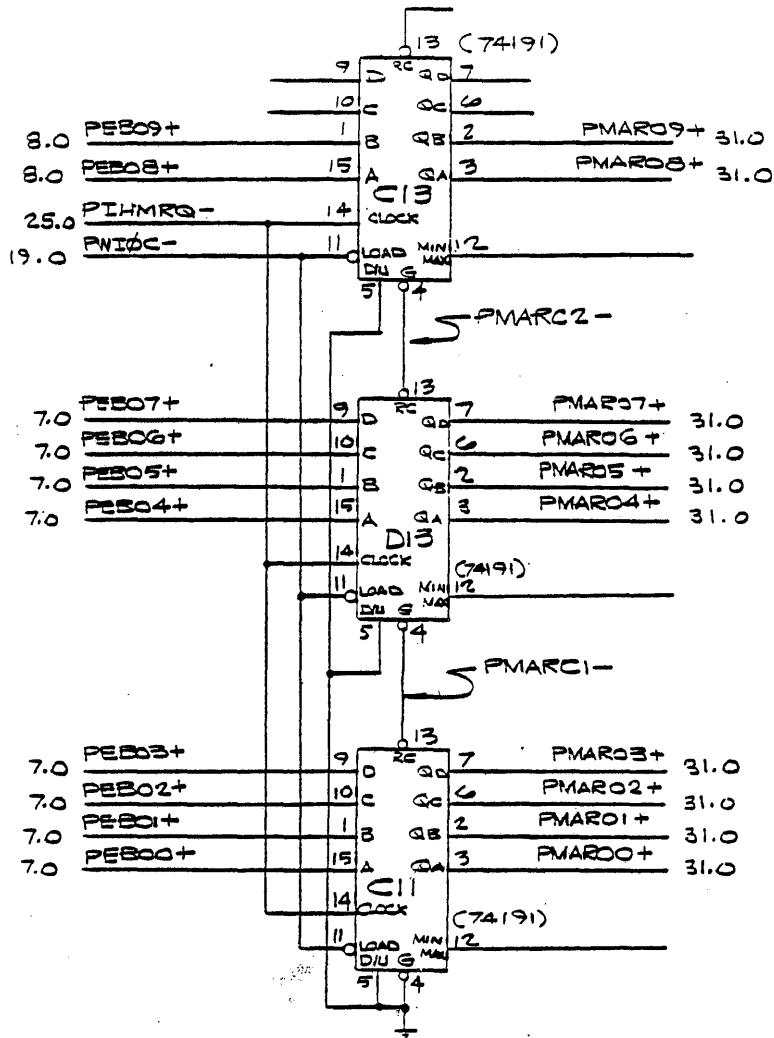
B

A



INTERNAL STATUS REGISTER  
INPUT DATA TRANSFER CONTROL

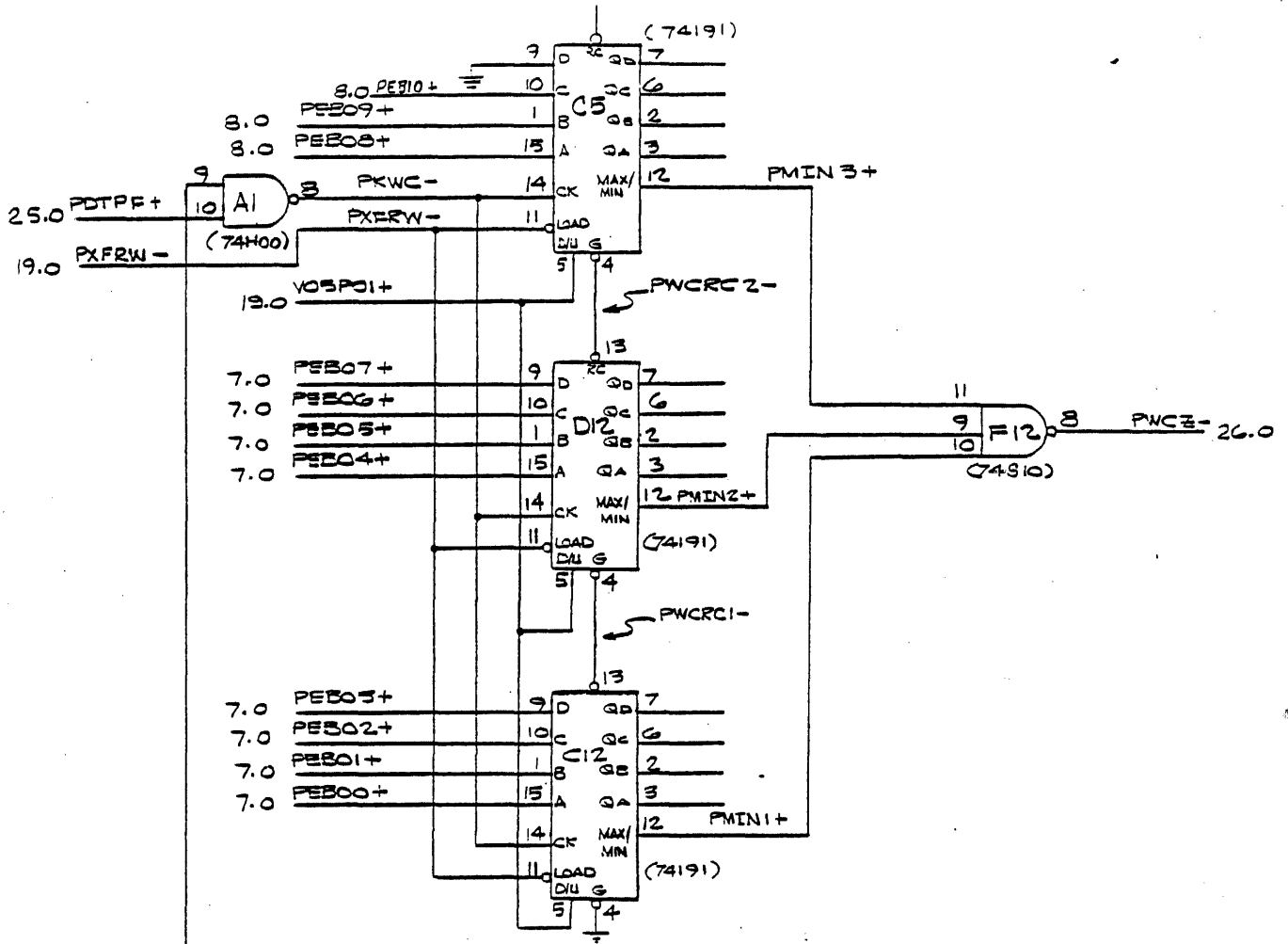
|                |            |         |     |
|----------------|------------|---------|-----|
| CODE IDENT NO. | SIZE       | DWG NO  | REV |
| 21101          | C          | 91C0448 | K   |
| SCALE          | SHEET 20.0 |         |     |



MAP ADDRESS REGISTER  
 DATA INPUT SOURCE  
 DATA TRANSFER DIRECTION

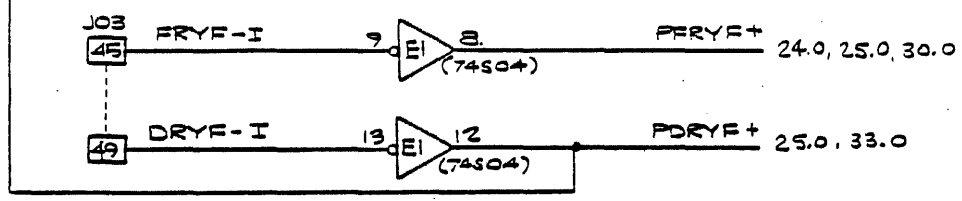
| CODE IDENT NO. | SIZE | DWG NO.    | REV |
|----------------|------|------------|-----|
| 21101          | C    | 91C0448    | K   |
| SCALE          |      | SHEET 21.0 |     |

D

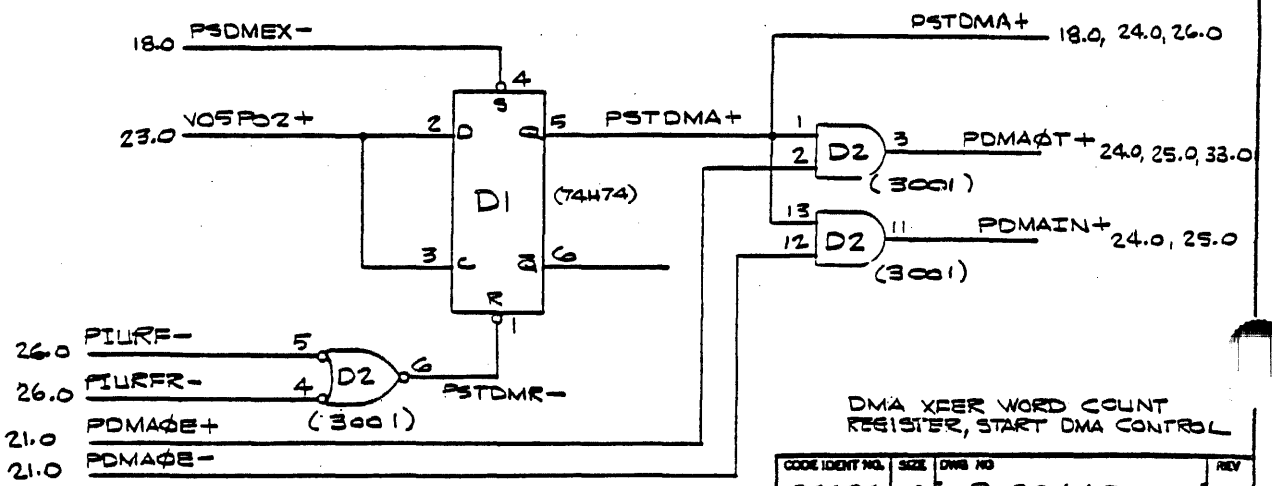


C

B



A



DMA XFER WORD COUNT  
REGISTER, START DMA CONTROL

| CODE IDENT NO. | SIZE | DWG NO  | REV        |
|----------------|------|---------|------------|
| 21101          | C    | 91C0448 | K          |
| SCALE          |      |         | SHEET 22.0 |

4

3

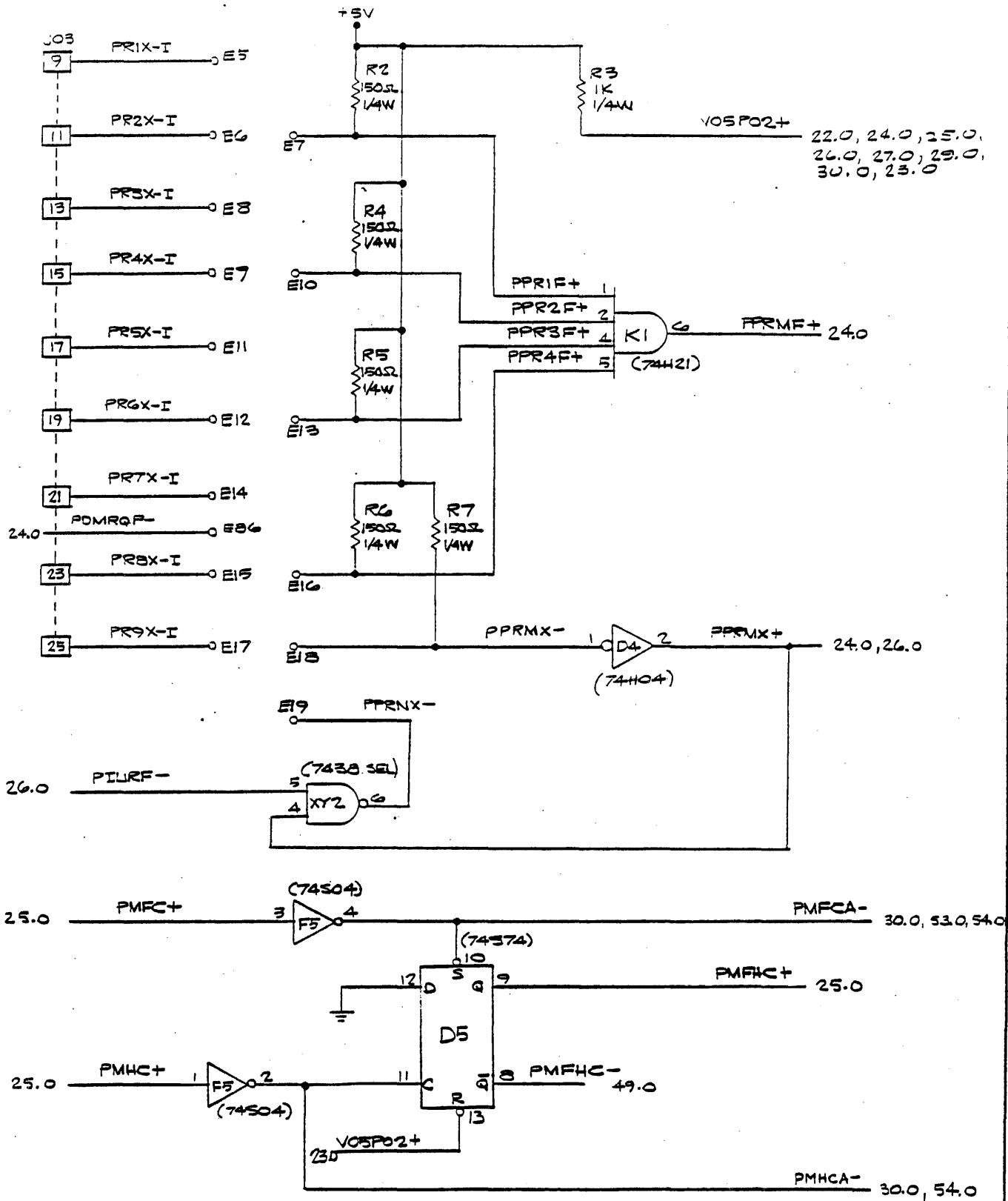
2

1

D

C

B



PRIORITY IN/OUT

|                |      |         |            |
|----------------|------|---------|------------|
| CODE IDENT NO. | SIZE | DWG NO  | REV        |
| 21101          | C    | 91C0448 | K          |
| SCALE          |      |         | SHEET 23.0 |

4

3

2

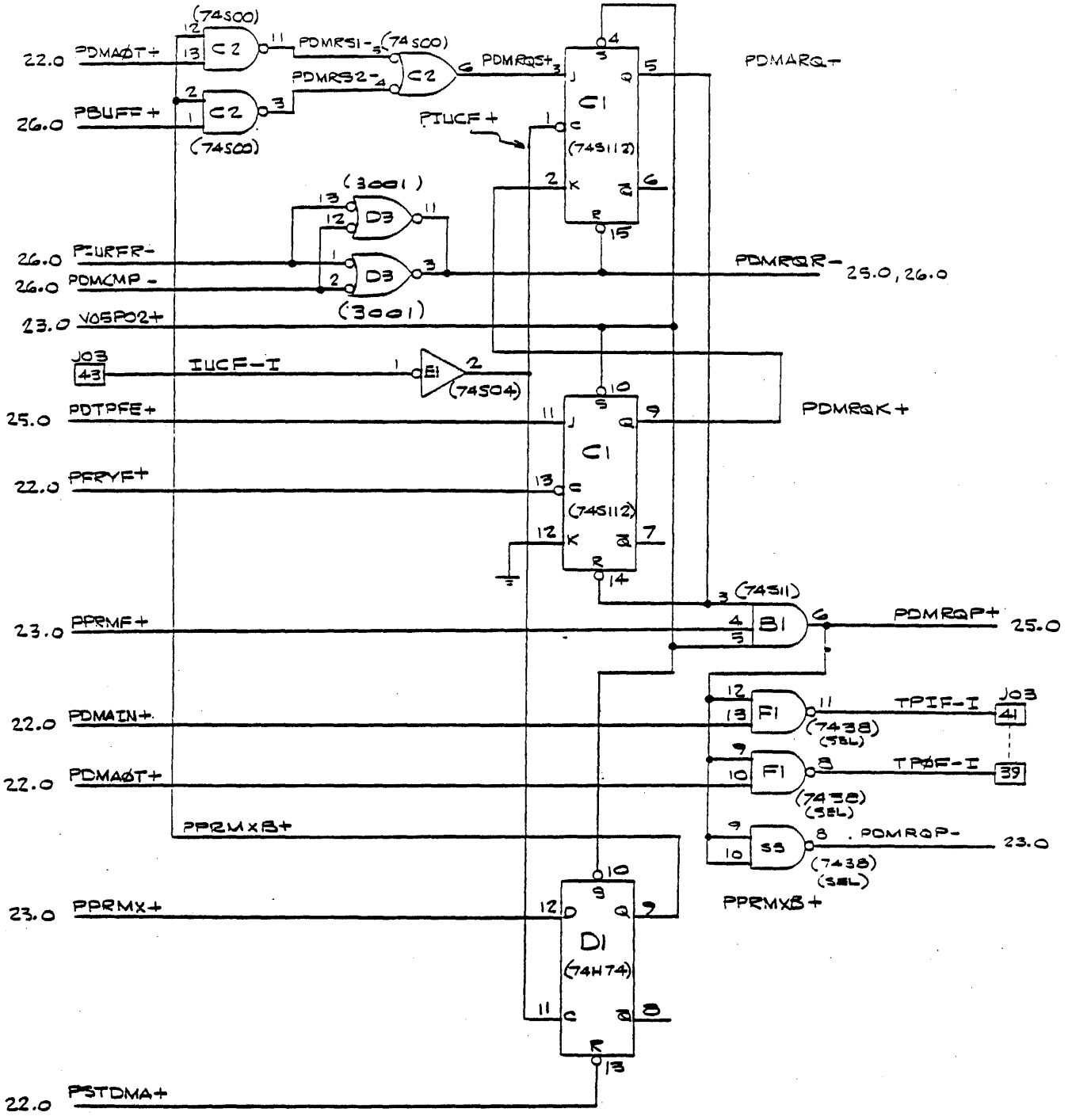
1

D

C

B

A



DMA REQUEST CONTROL

| CODE IDENT NO. | SIZE | DWG NO     | REV |
|----------------|------|------------|-----|
| 21101          | C    | 91C0448    | K   |
| SCALE          |      | SHEET 24-C |     |

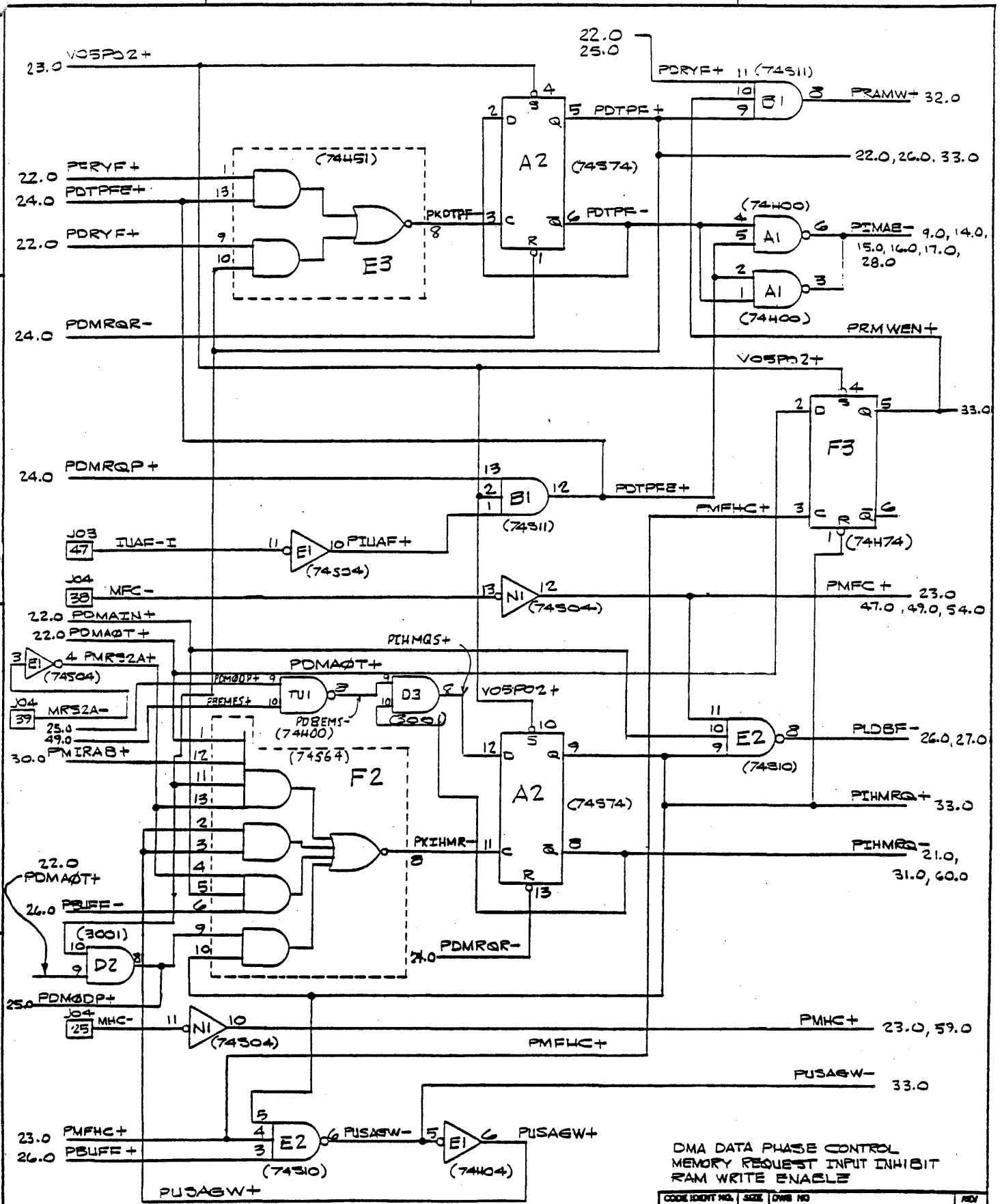
DATE: 01/15/74

4 3 2 1

D

C

B



DMA DATA PHASE CONTROL  
 MEMORY REQUEST INPUT INHIBIT  
 RAM WRITE ENABLE

| CODE IDENT NO. | SIZE | DWG NO. | REV. |
|----------------|------|---------|------|
| 21101          | C    | 91C0448 | K    |

4

3

2

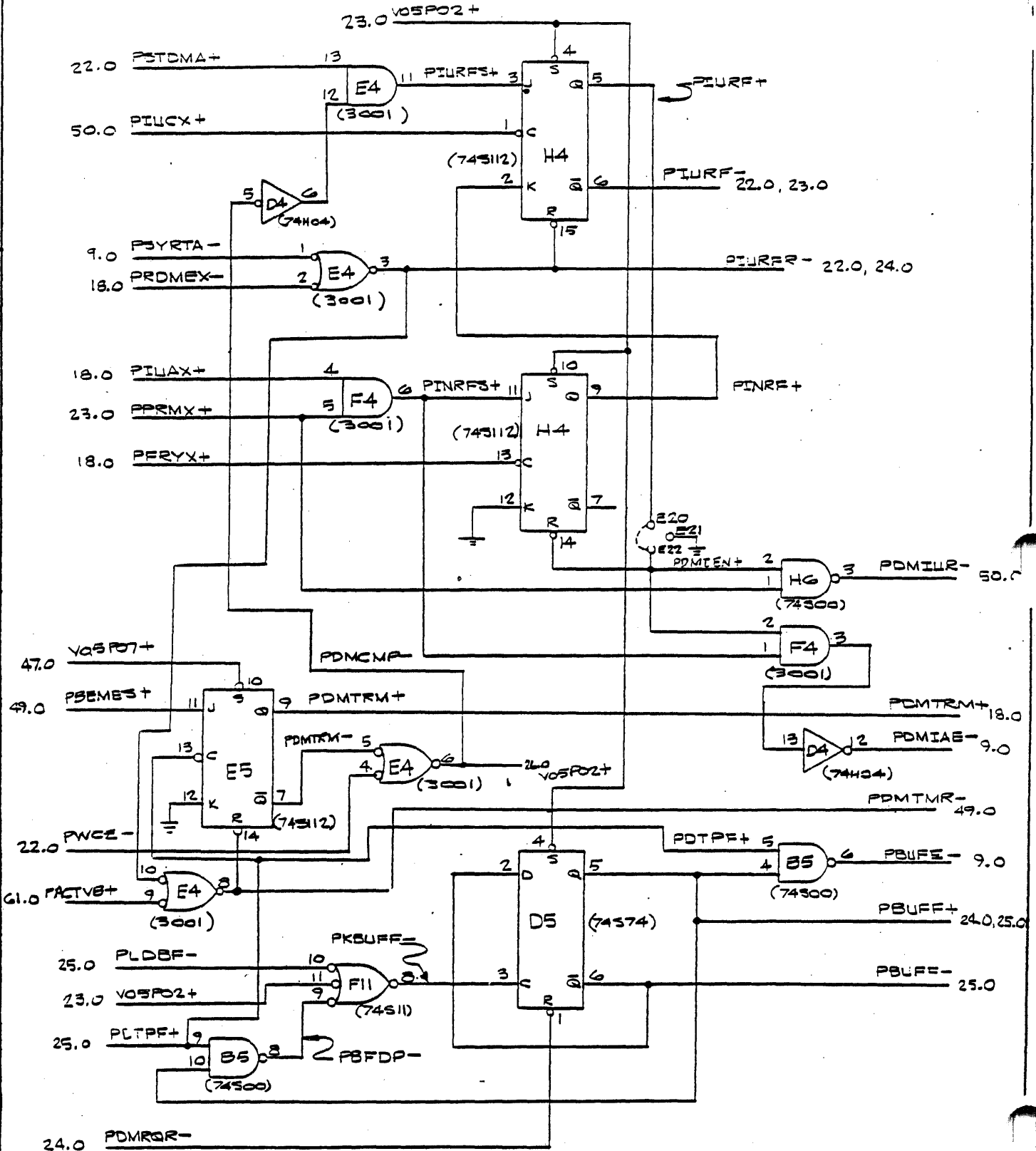
1

D

C

B

A



DMA TRANSFER COMPLETE  
 INTERRUPT, DMA INPUT  
 BUFFER CONTROL

| CODE IDENT NO. | SIZE       | DWG NO. | REV |
|----------------|------------|---------|-----|
| 21101          | C          | 91C0448 | K   |
| SCALE          | SHEET 26.0 |         |     |

4

3

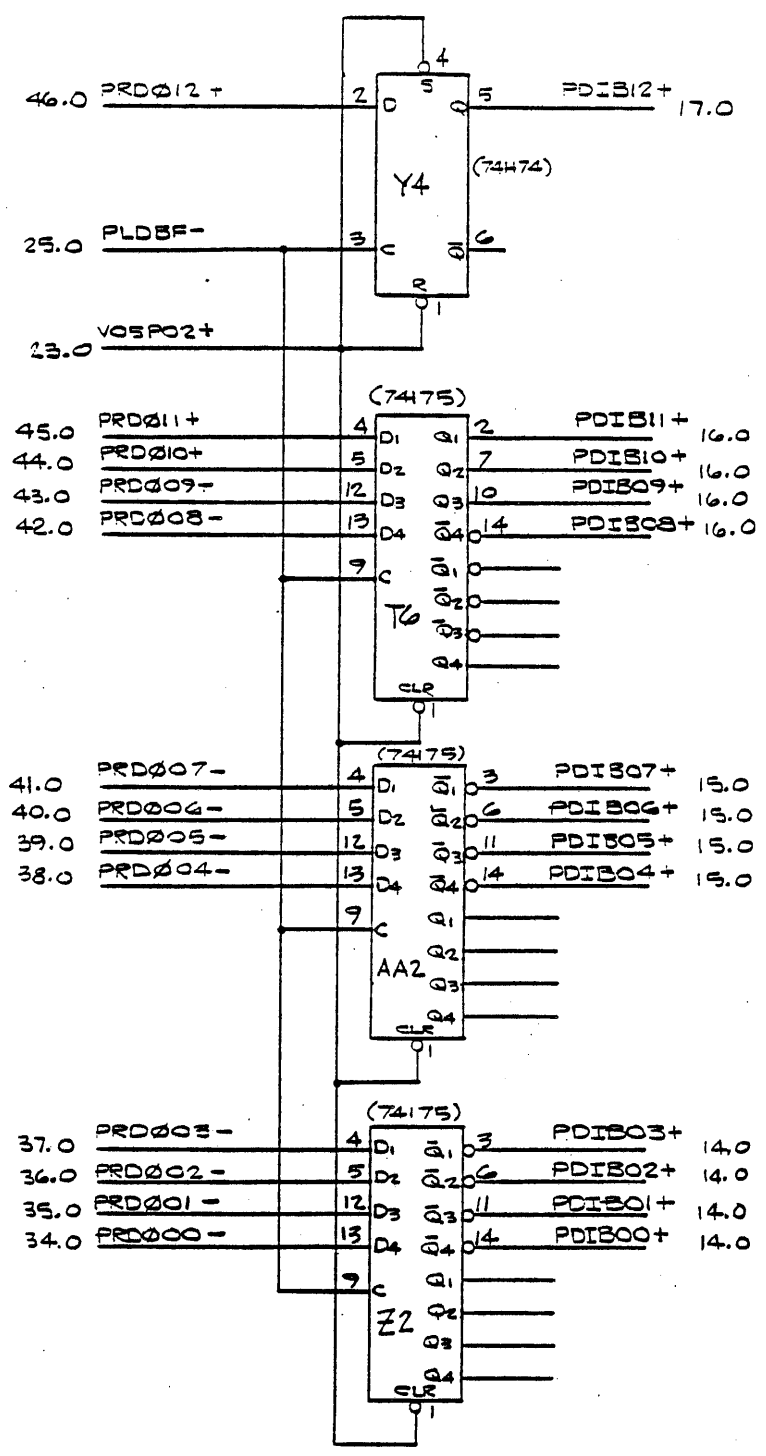
2

1

D

C

B



DMA INPUT BUFFER

|                |           |         |     |
|----------------|-----------|---------|-----|
| CODE IDENT NO. | SIZE      | DWG NO. | REV |
| 21101          | C         | 91C0440 | K   |
| SCALE          | SHEET 270 |         |     |

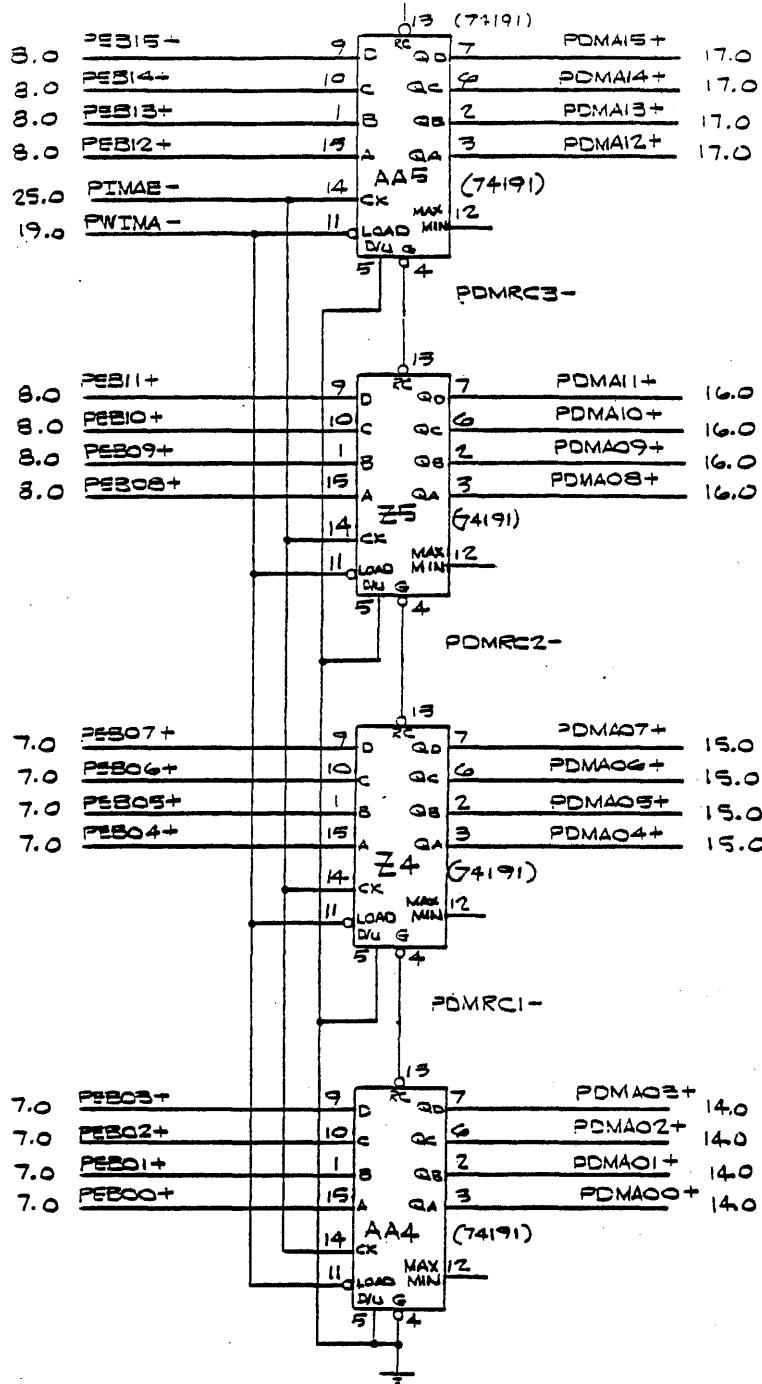


D

C

B

A



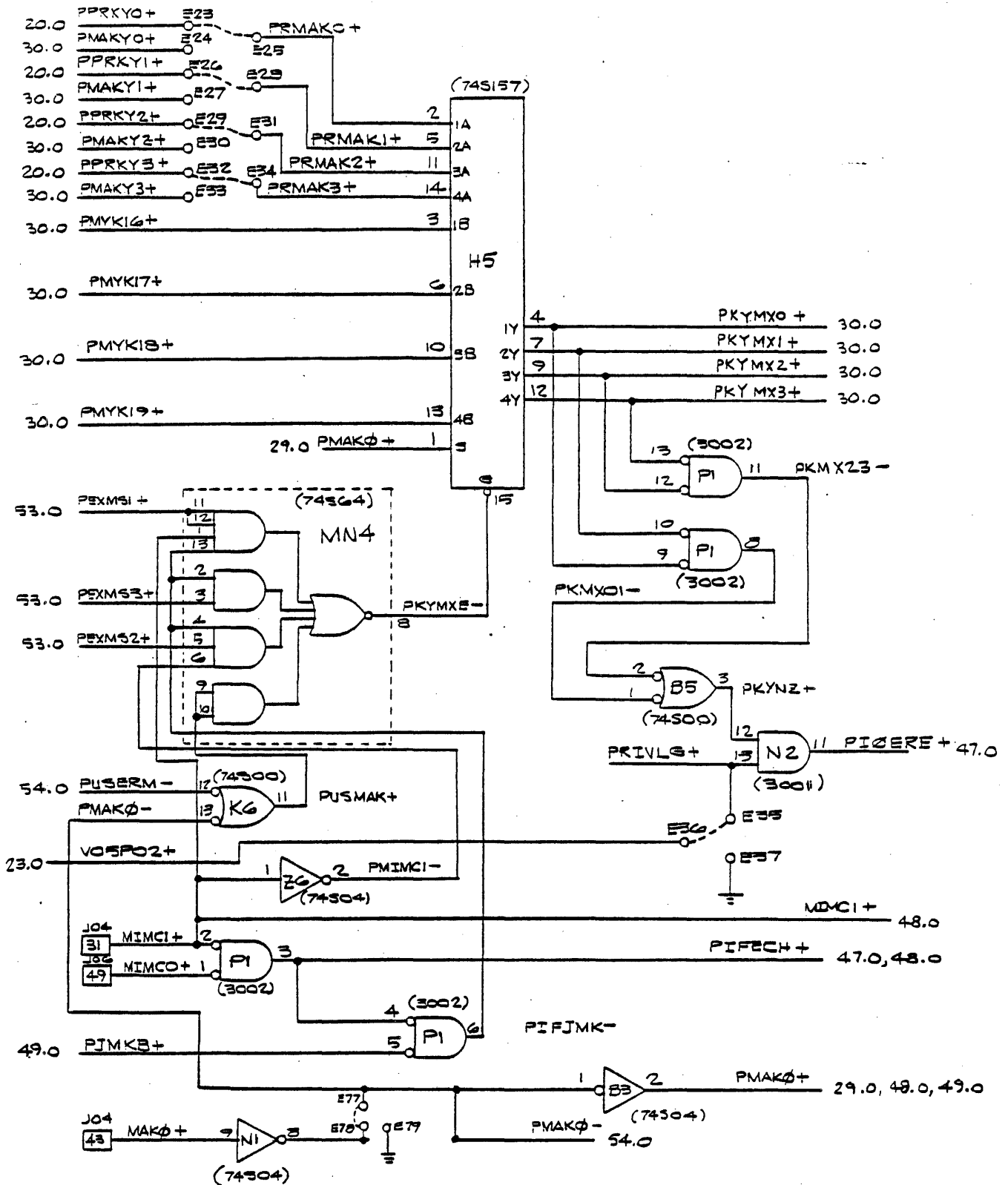
DMA MEMORY ADDRESS REGISTER

| CODE IDENT NO. | SIZE | DWG NO. | REV.       |
|----------------|------|---------|------------|
| 21101          | C    | 91C0448 | K          |
| SCALE          |      |         | SHEET 28.0 |

D

C

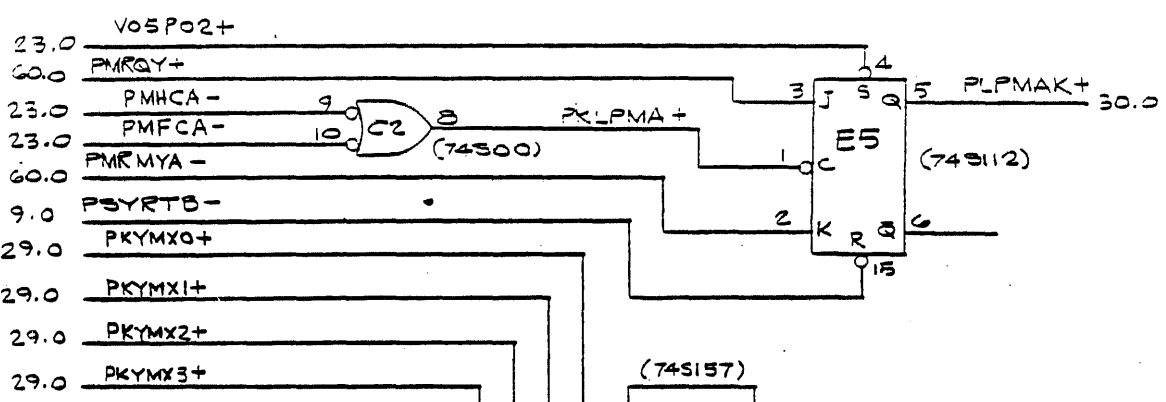
B



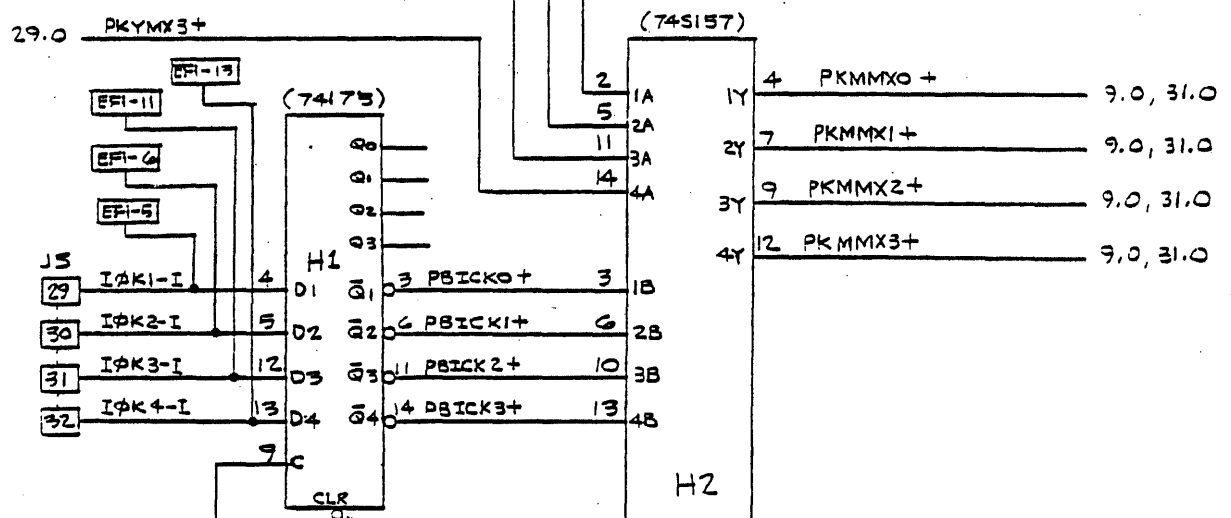
PROCESSOR, PMA KEY MUX

|                |       |            |      |
|----------------|-------|------------|------|
| CODE IDENT NO. | SCALE | DATE NO.   | REV. |
| 21101          | C     | 910448     | K    |
| SCALE          |       | SHEET 29.0 |      |

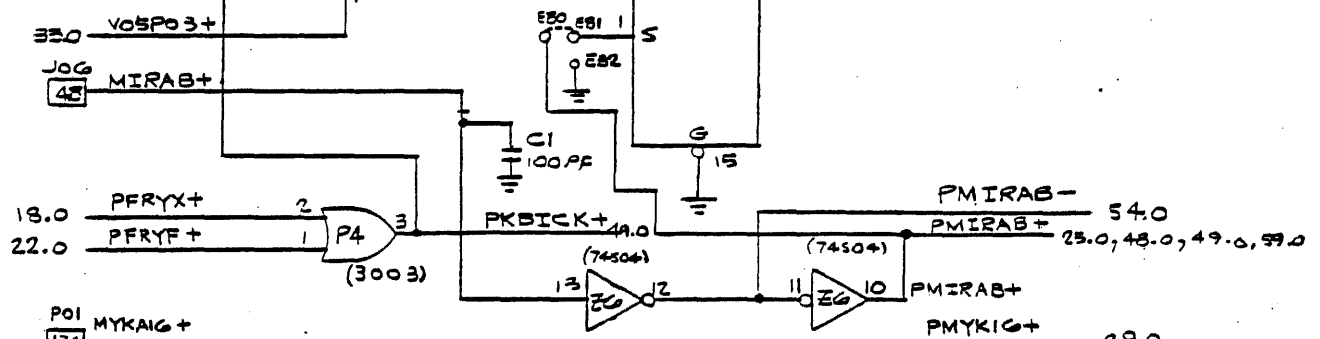
D



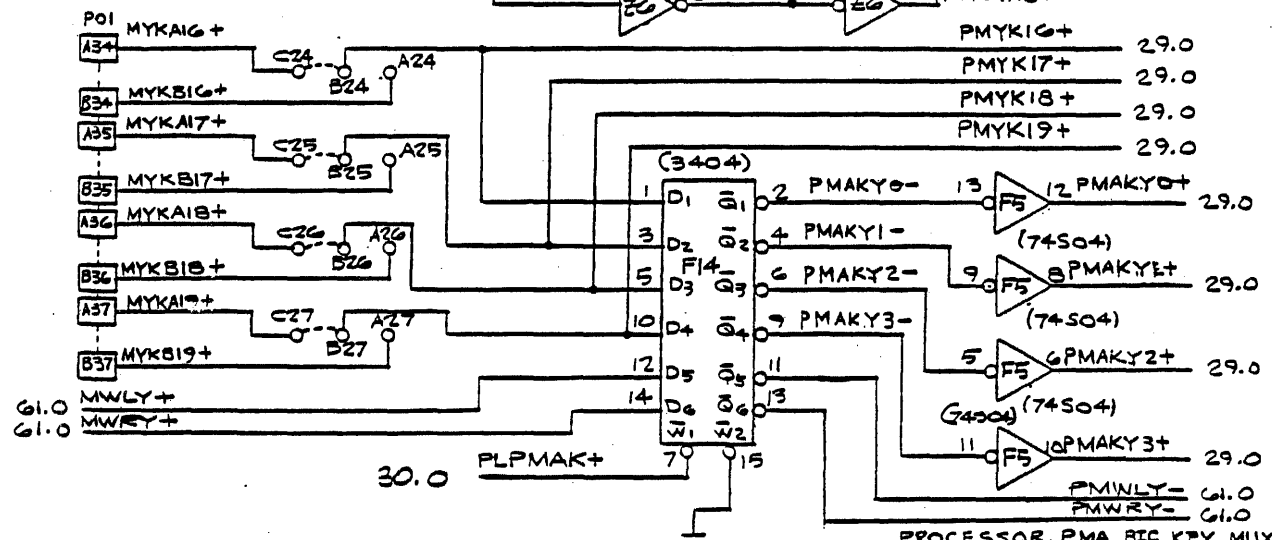
C



B



A



PROCESSOR, PMA, BIC KEY MUX

|                |               |         |     |
|----------------|---------------|---------|-----|
| CODE IDENT NO. | SIZE          | DATE NO | REV |
| 21101          | C             | 9100448 | K   |
| SCALE          | SHEET 30 of 8 |         |     |

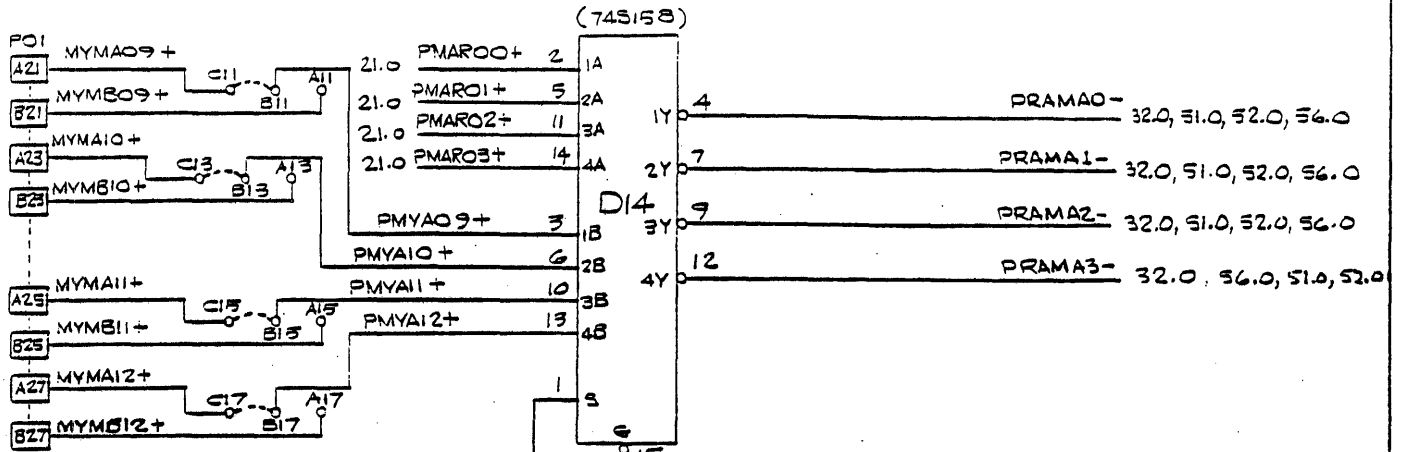
4

3

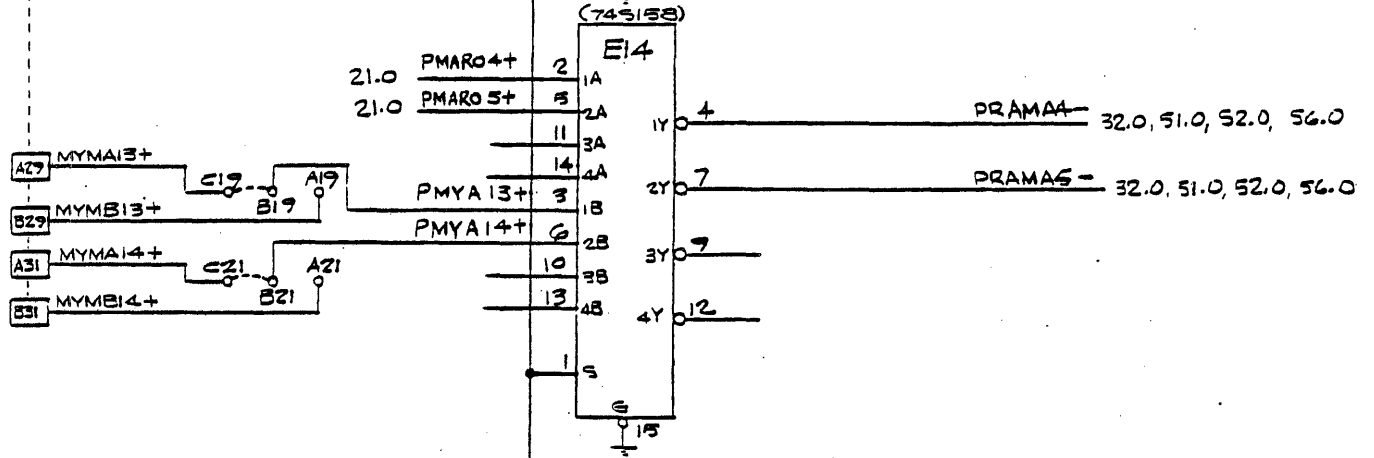
2

1

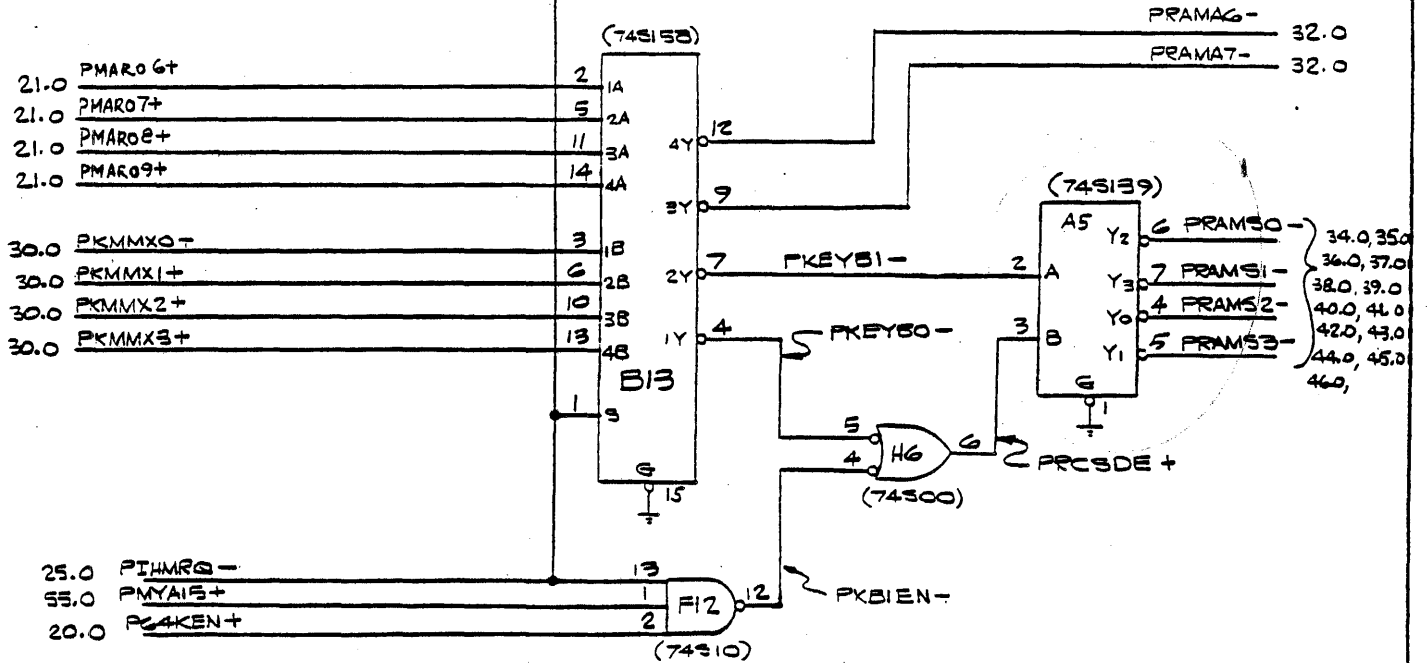
D



C



B



RAM ADDRESS MUX  
RAM ROW SELECT

| CODE IDENT NO. | SIZE  | DWG NO  | REV  |
|----------------|-------|---------|------|
| 21101          | C     | 91C0448 | K    |
| SCALE          | SHEET |         | 31.0 |

4

3

2

1

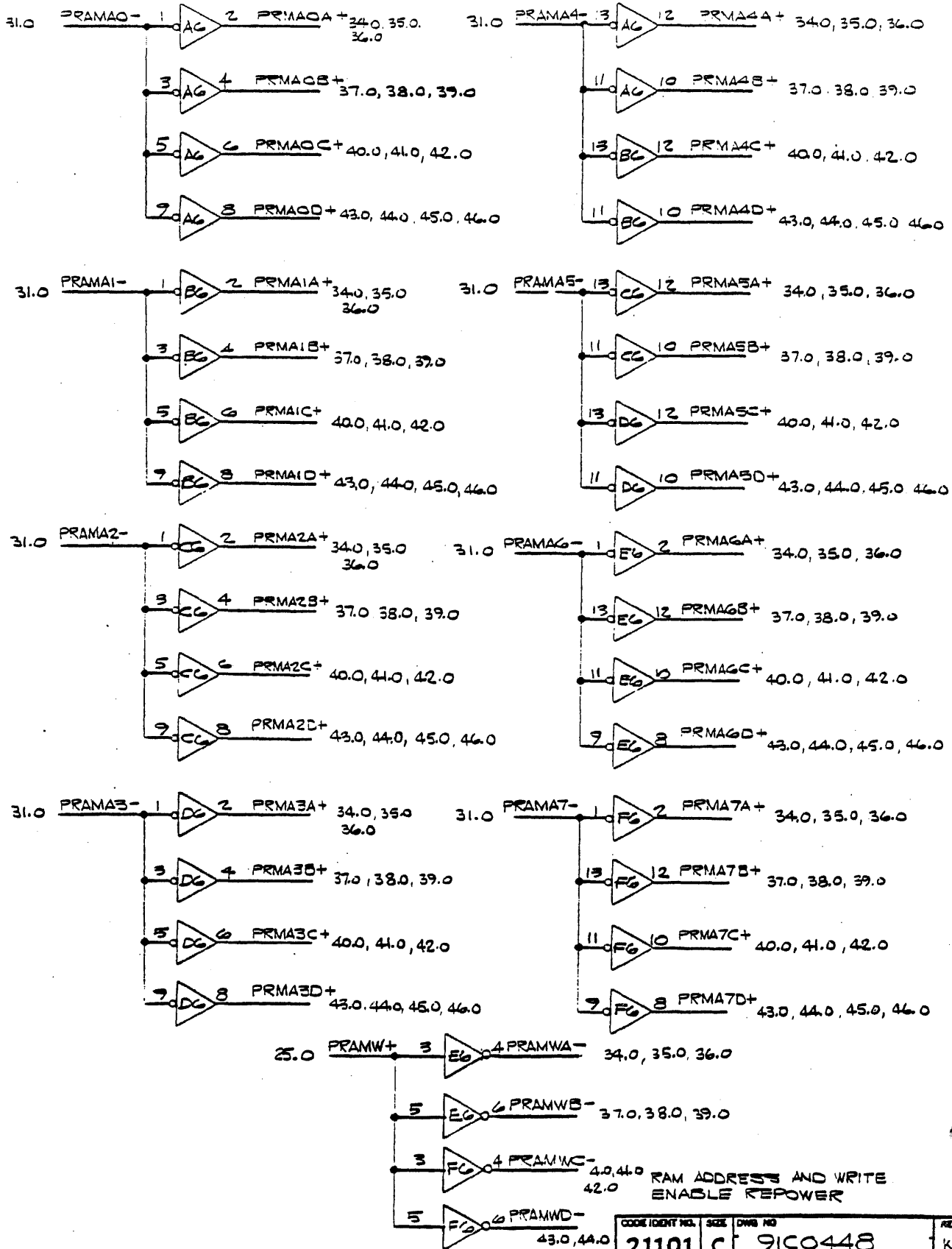
D

C

B

A

(-4504 TYP EG PLC'S)

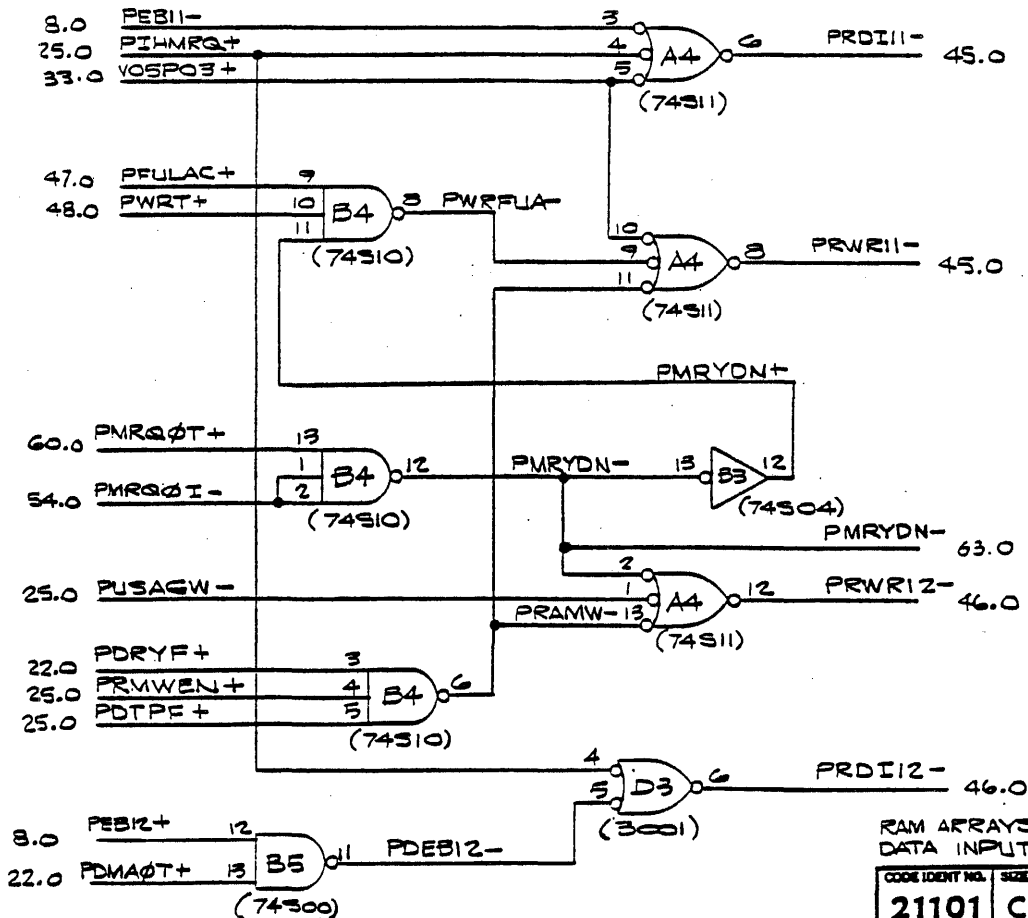
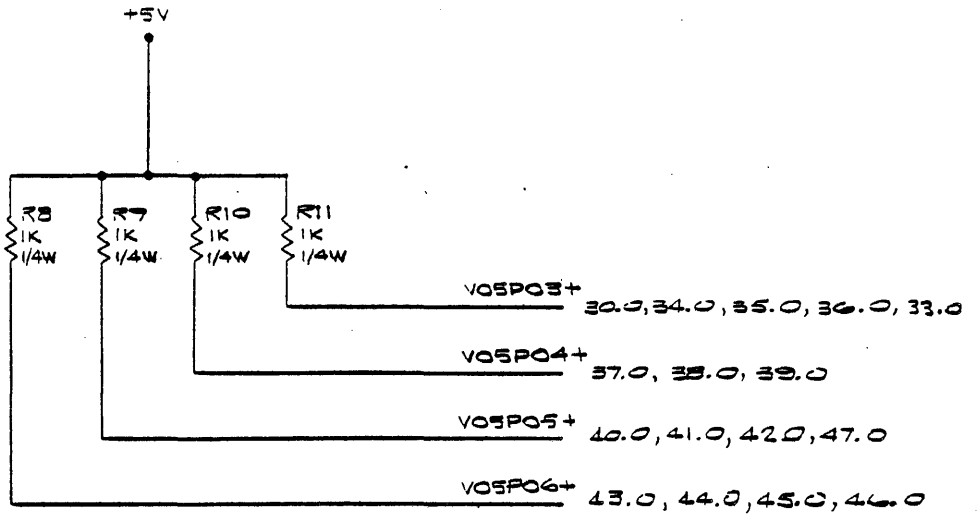


|                |      |            |     |
|----------------|------|------------|-----|
| CODE IDENT NO. | SIZE | DWG NO.    | REV |
| 21101          | C    | 91C0448    | K   |
| SCALE          |      | SHEET 32-0 |     |

D

C

B



RAM ARRAYS COLUMN 11 & 12  
DATA INPUT AND WRITE ENABLE

| CODE IDENT NO. | SIZE | DWG NO. | REV        |
|----------------|------|---------|------------|
| 21101          | C    | 91C0448 | K          |
| SCALE          |      |         | SHEET 33-0 |

4

3

2

1

D

C

B

A

32.0 PRAMWA -

7.0 PEB00+

PRMA0A+

PRMA1A+

PRMA2A+

32.0 PRMA3A+

PRMA4A+

PRMA5A+

PRMA6A+

PRMA7A+

31.0 PRAM50-

33.0 VOSPO3+

7.0 PEB00+

31.0 PRAM31-

7.0 PEB00+

31.0 PRAM32-

7.0 PEB00+

31.0 PRAM33-

(93410)

(93410)

(93410)

(93410)

(93410)

+5V

+5V

R2  
330Ω  
1/4W

R3  
330Ω  
1/4W

PD0E1+ 3

PD0E2+ 13

A

(74500)

PRD000- 27.0, 56.0  
58.0

RAM ARRAYS  
COLUMN 0

|                |      |          |           |
|----------------|------|----------|-----------|
| CODE IDENT NO. | SIZE | DATE NO. | REV.      |
| 21101          | C    | 91C0448  | X         |
| SCALE          |      |          | SHEET 340 |

4

3

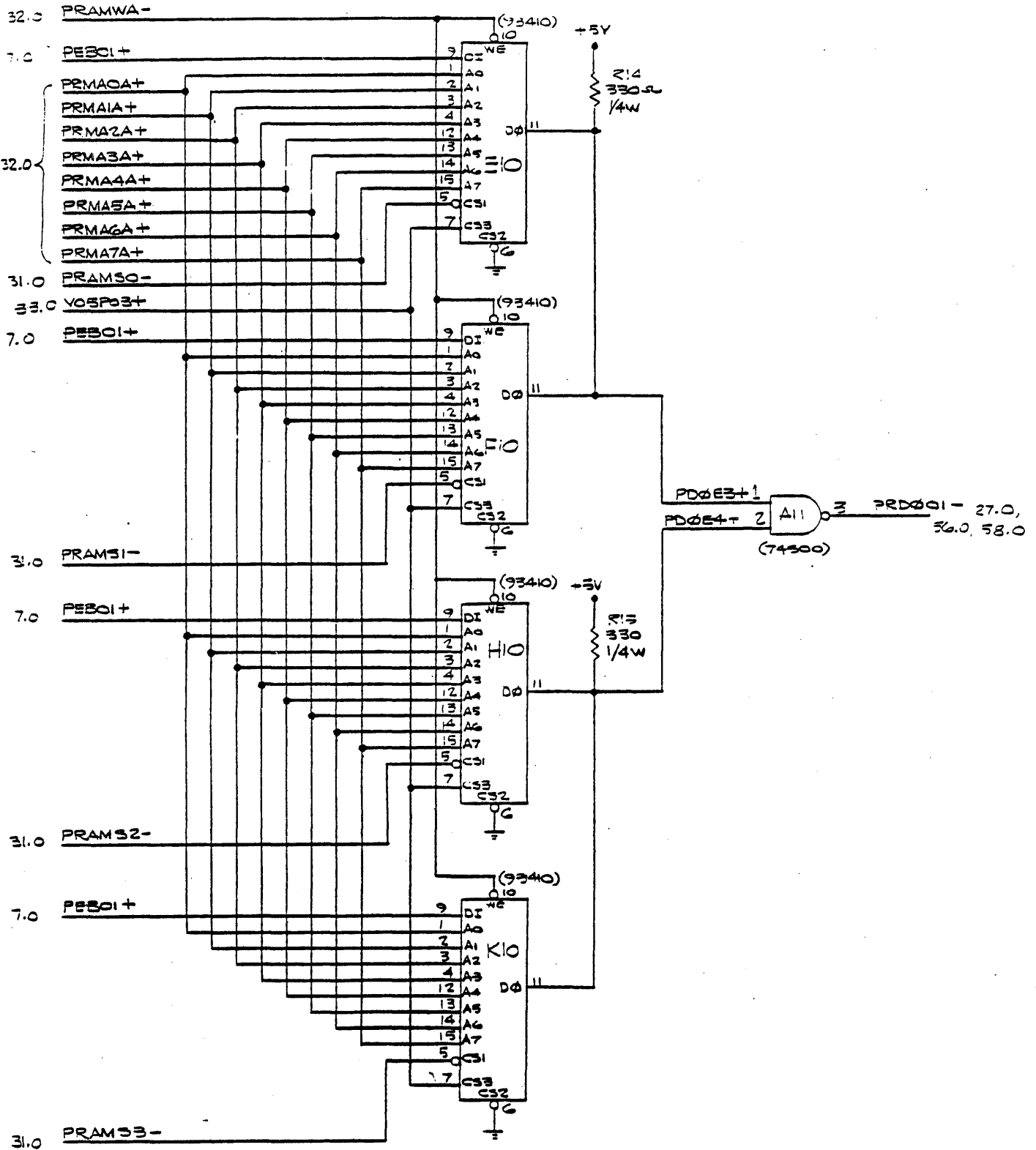
2

1

D

C

B



RAM ARRAYS  
COLUMN 1

| CODE IDENT. NO. | SIZE | DATE NO. | REV.       |
|-----------------|------|----------|------------|
| 21101           | C    | 91C0448  | K          |
| SCALE           |      |          | SHEET 35.0 |



4

3

2

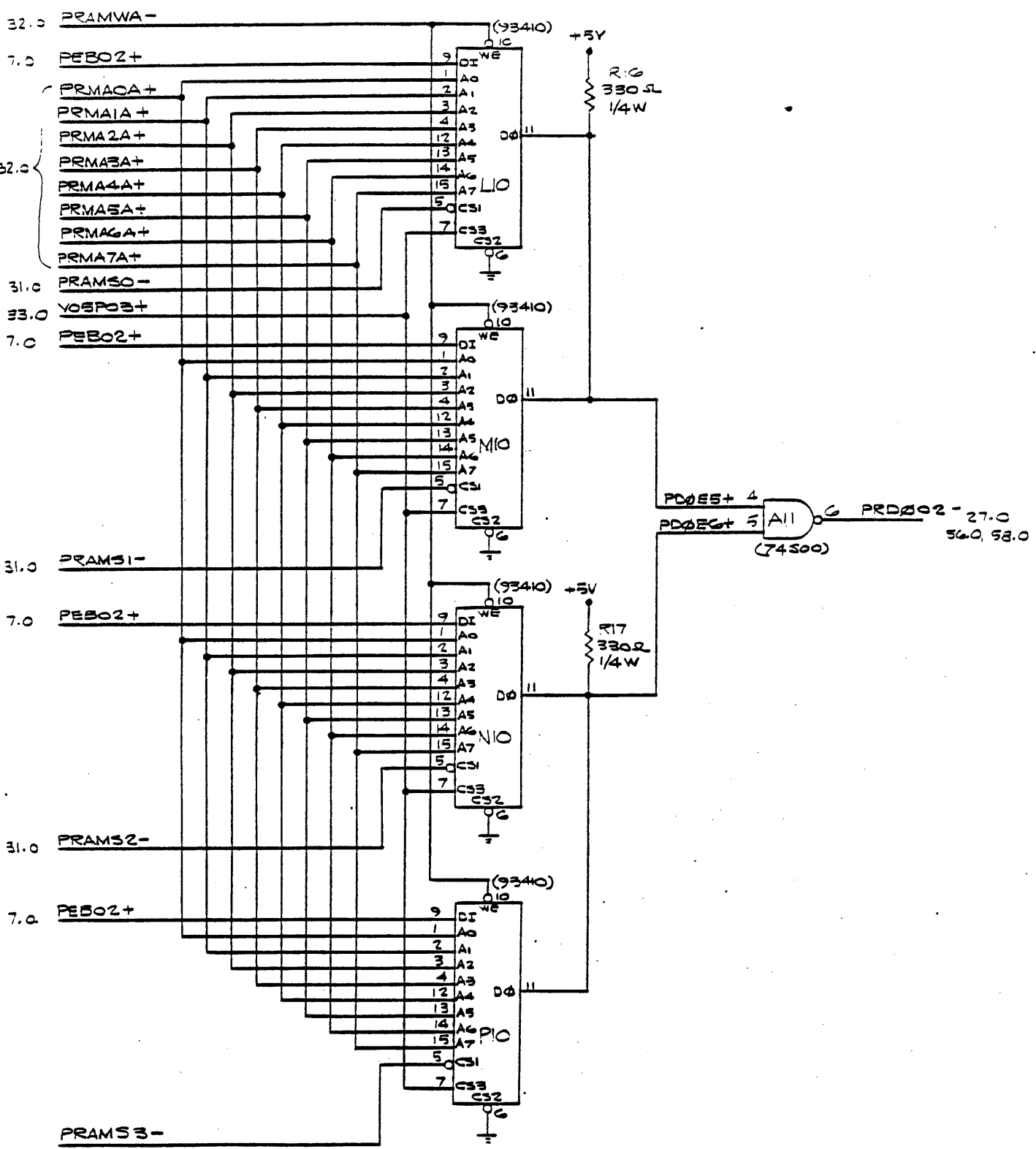
1

D

C

B

A



RAM ARRAYS  
COLUMN 2

| CODE IDENT. NO. | SIZE | Q'NSS NO. | REV.       |
|-----------------|------|-----------|------------|
| 21101           | C    | 91C0448   | K          |
| SCALE           |      |           | SHEET 36.0 |

4

3

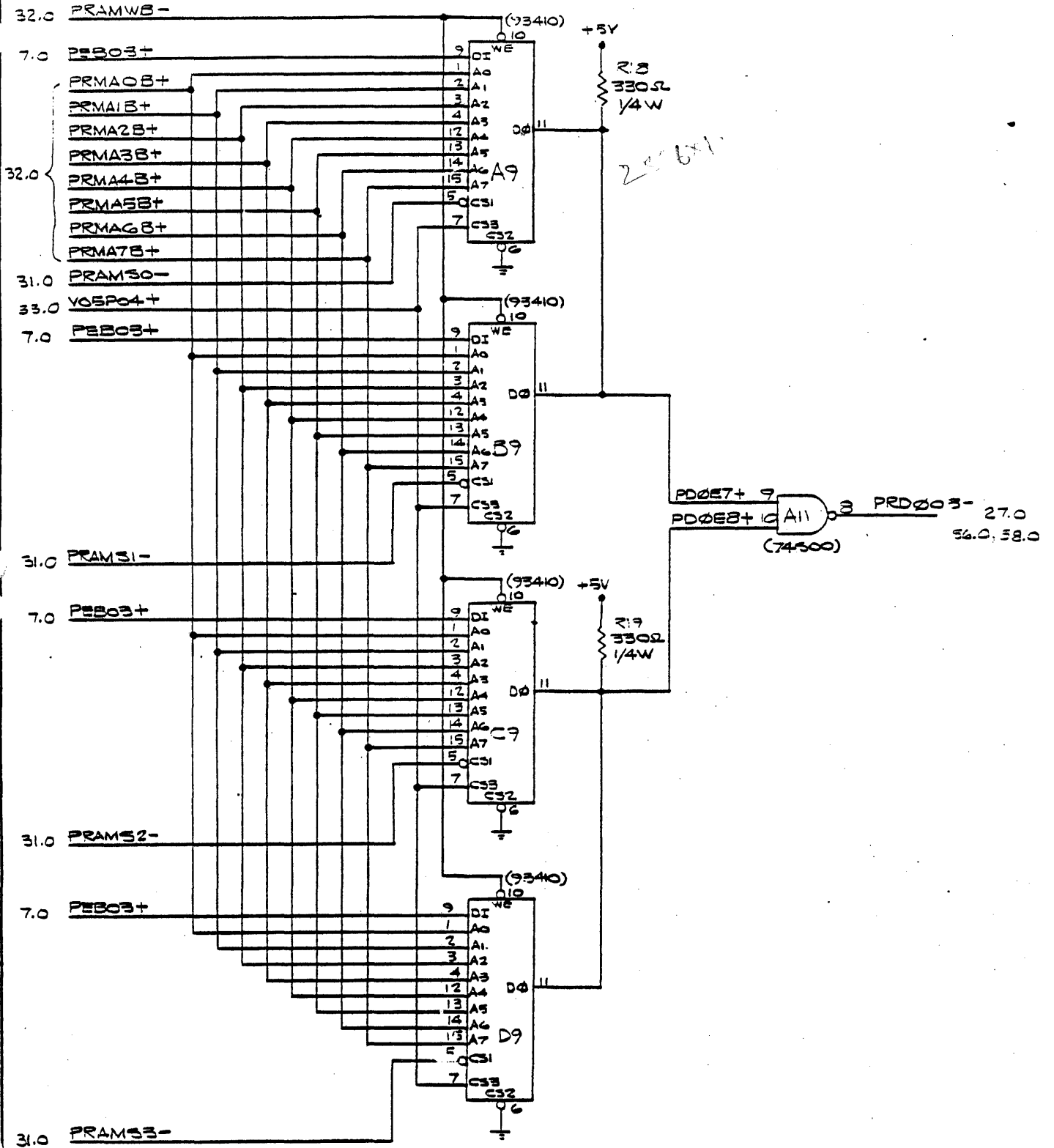
2

1

D

C

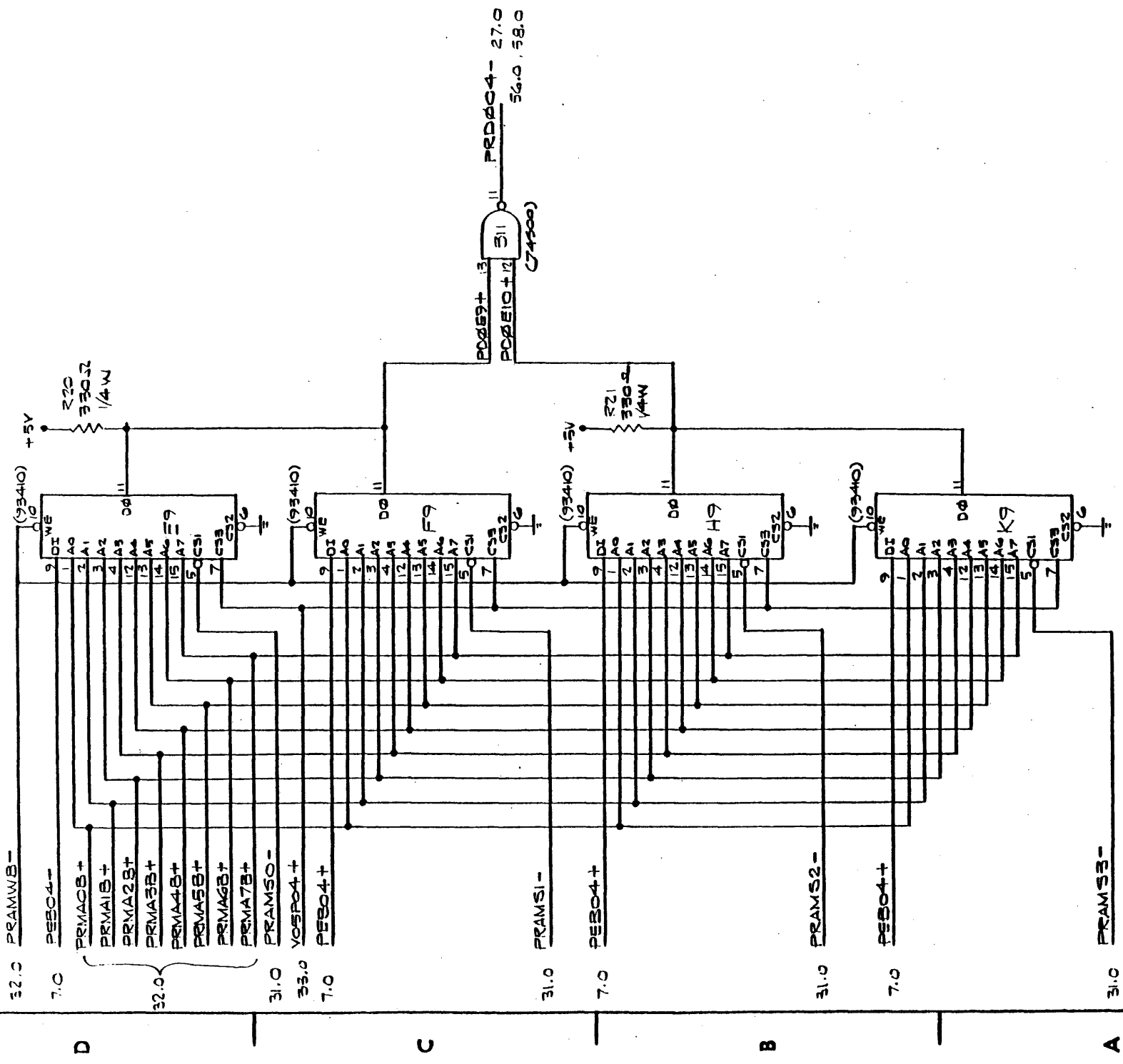
B



RAM ARRAYS  
COLUMN 3

| CODE IDENT NO. | SIZE | QWB NO. | REV        |
|----------------|------|---------|------------|
| 21101          | C    | 91C0448 | K          |
| SCALE          |      |         | SHEET 27.0 |

4 3 2 1



RAM ARRAYS  
COLUMN 4

|                |      |            |     |
|----------------|------|------------|-----|
| CODE IDENT NO. | SIZE | TYPE NO.   | REV |
| 21101          | C    | 91C0448    | K   |
| SCALE          |      | SHEET 58-0 |     |

4

3

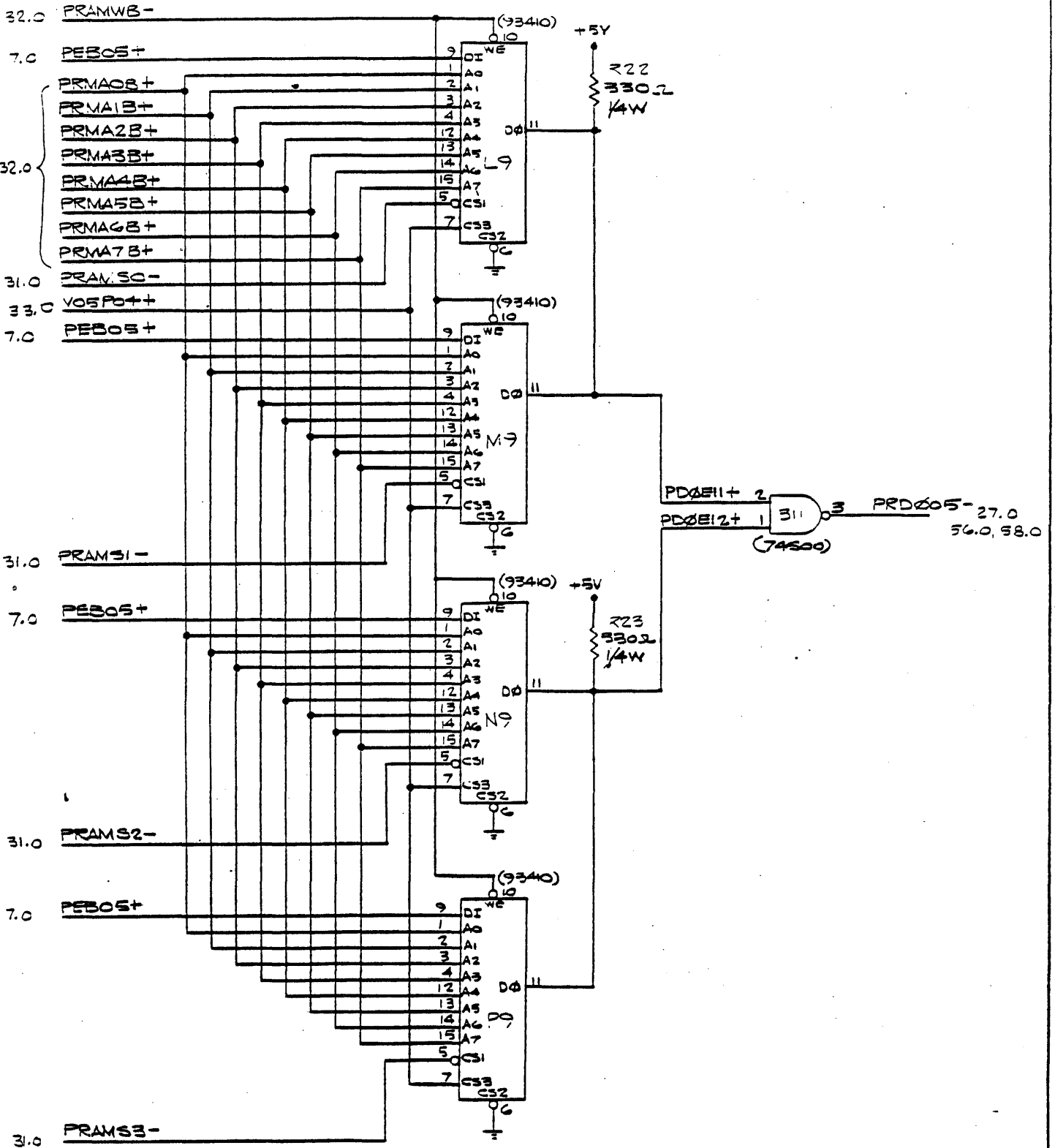
2

1

D

C

B



RAM ARRAY  
COLUMN 5

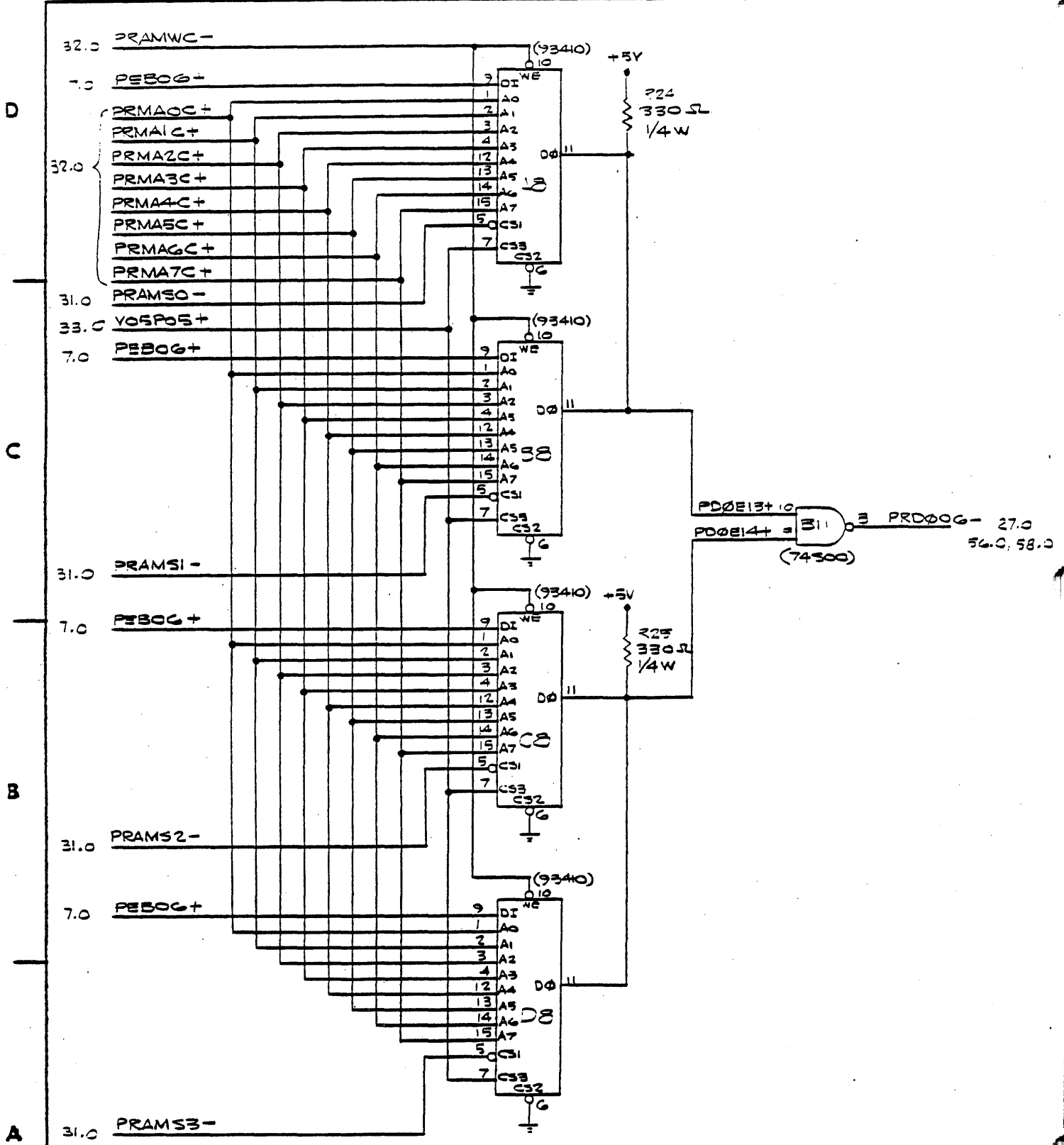
| CODE IDENT NO. | SIZE | QWS NO  | REV        |
|----------------|------|---------|------------|
| 21101          | C    | 91C0448 | K          |
| SCALE          |      |         | SHEET 39.0 |

4

3

2

1



RAM ARRAYS  
COLUMN 2

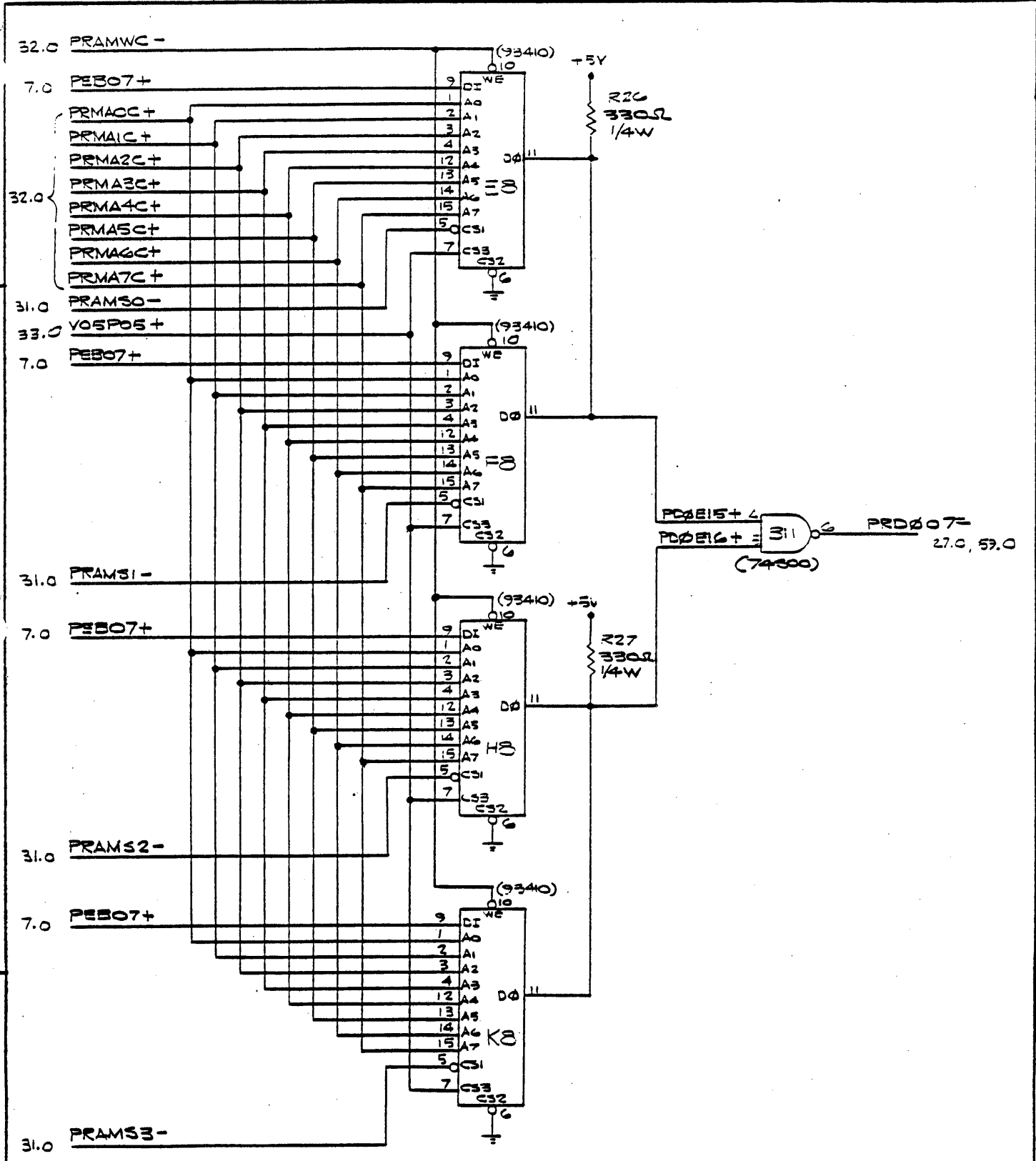
|                |           |         |     |
|----------------|-----------|---------|-----|
| CODE IDENT NO. | SIZE      | QWS NO  | REV |
| 21101          | C         | 91C0448 | K   |
| SCALE          | SHEET 400 |         |     |

4 3 2 1

D

C

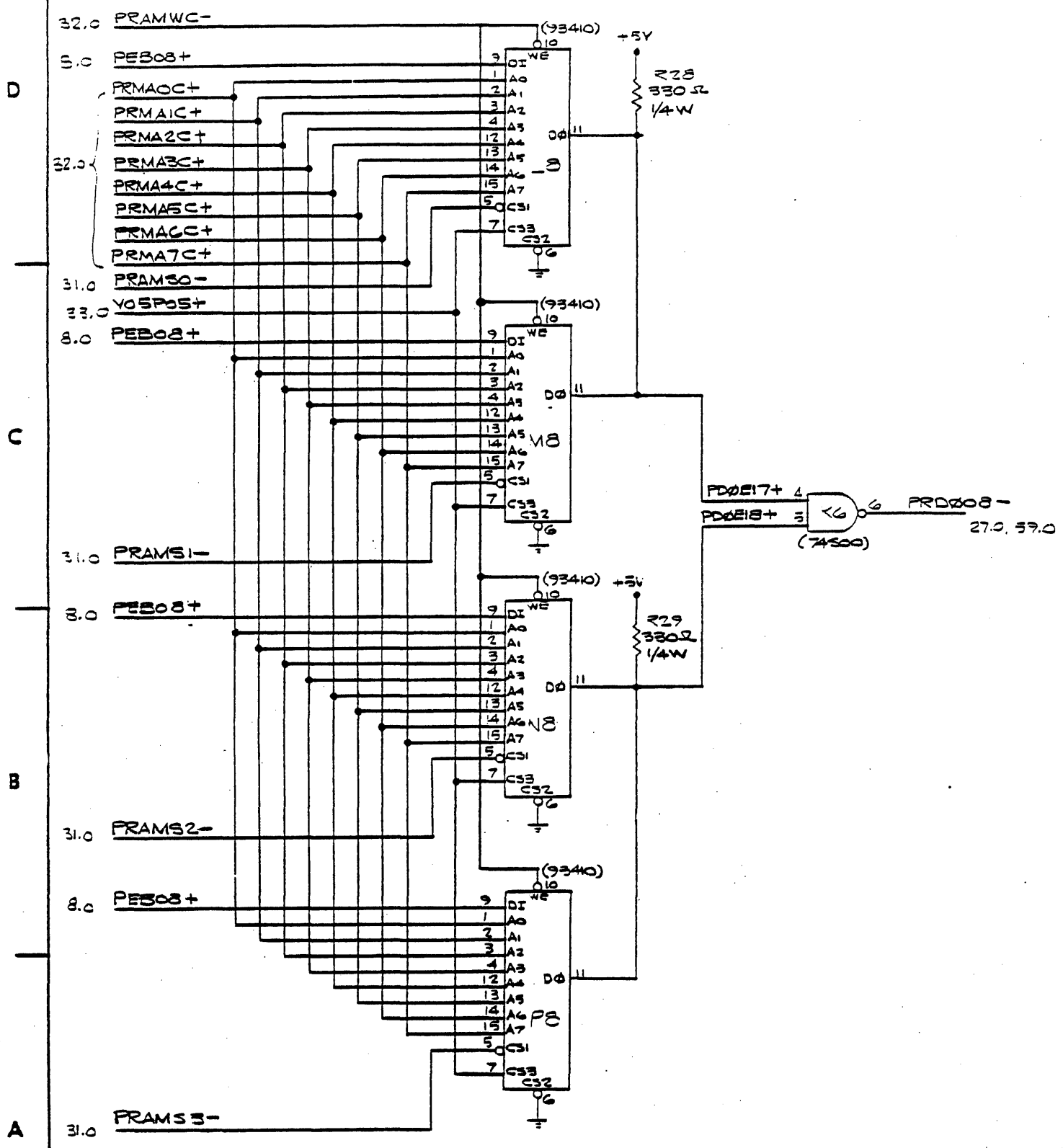
B



RAM ARRAYS  
COLUMN 7

|                |      |         |            |
|----------------|------|---------|------------|
| CODE IDENT NO. | SIZE | DWG NO. | REV        |
| 21101          | C    | 91C0448 | K          |
| SCALE          |      |         | SHEET 41.0 |

4 3 2 1



RAM ARRAYS  
COLUMN 8

| CODE IDENT NO. | SIZE       | DRWG NO. | REV |
|----------------|------------|----------|-----|
| 21101          | C          | 91C0448  | K   |
| SCALE          | SHEET 42.0 |          |     |

4

3

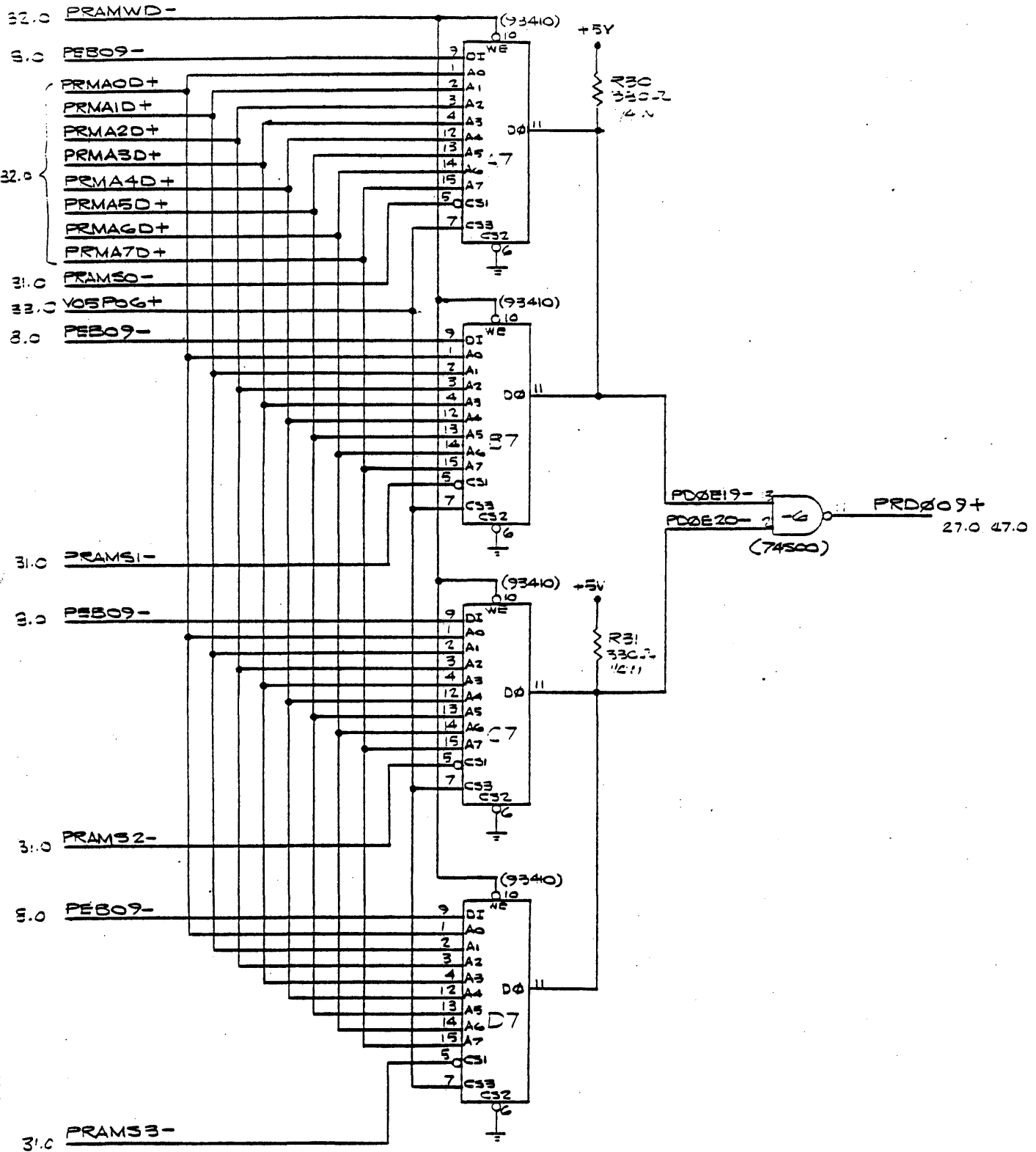
2

1

D

C

B



RAM ARRAYS  
COLUMN 9

|                |      |         |            |
|----------------|------|---------|------------|
| CODE IDENT NO. | SIZE | DWG NO. | REV        |
| 21101          | C    | 91C0448 | K          |
| SCALE          |      |         | SHEET 43-0 |



4

3

2

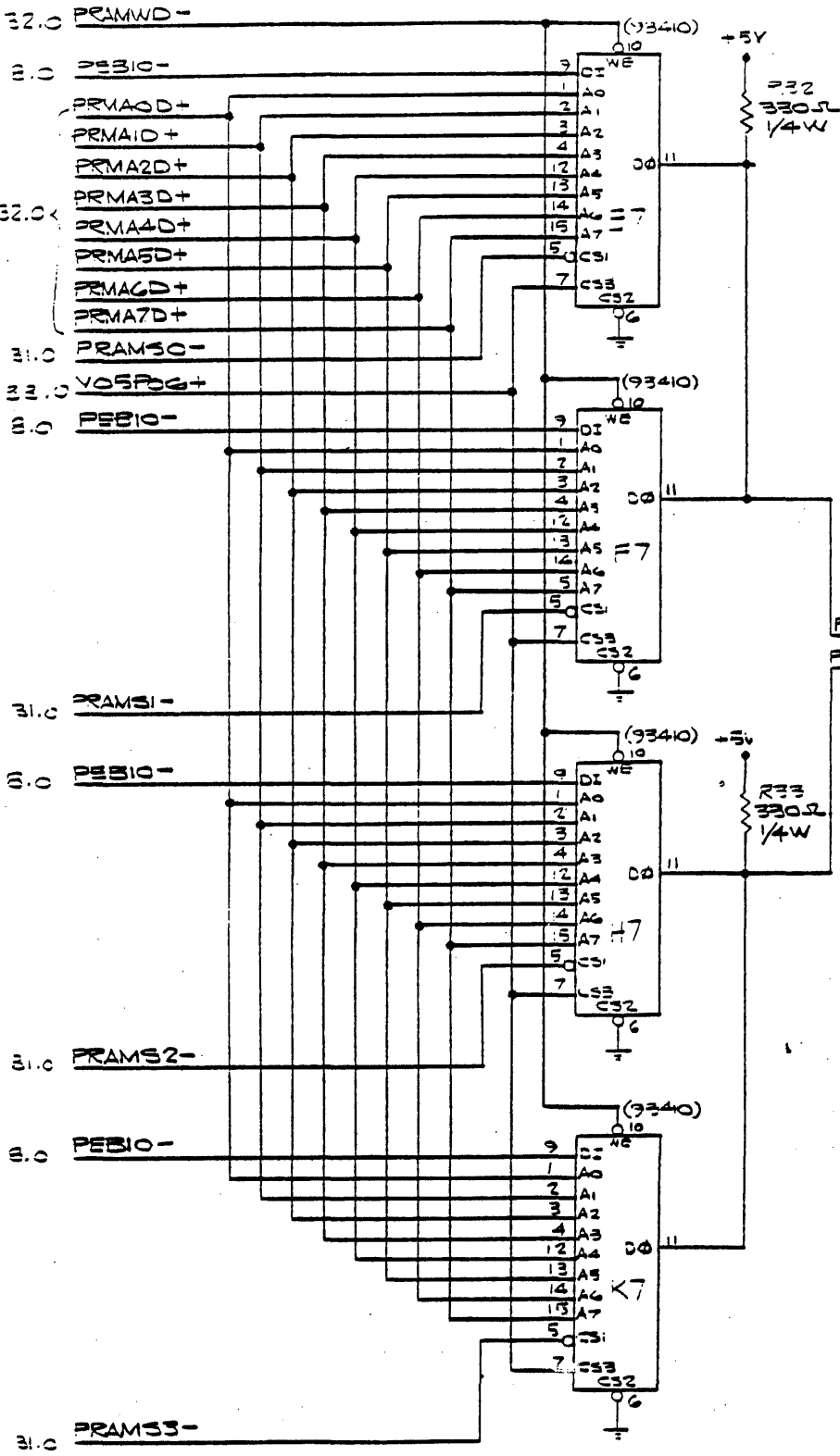
1

D

C

B

A



RAM ARRAYS  
COLUMN 10

|                |      |         |            |
|----------------|------|---------|------------|
| CODE IDENT NO. | SIZE | DWG NO. | REV        |
| 21101          | C    | 91C0448 | K          |
| SCALE          |      |         | SHEET 44.0 |

4

3

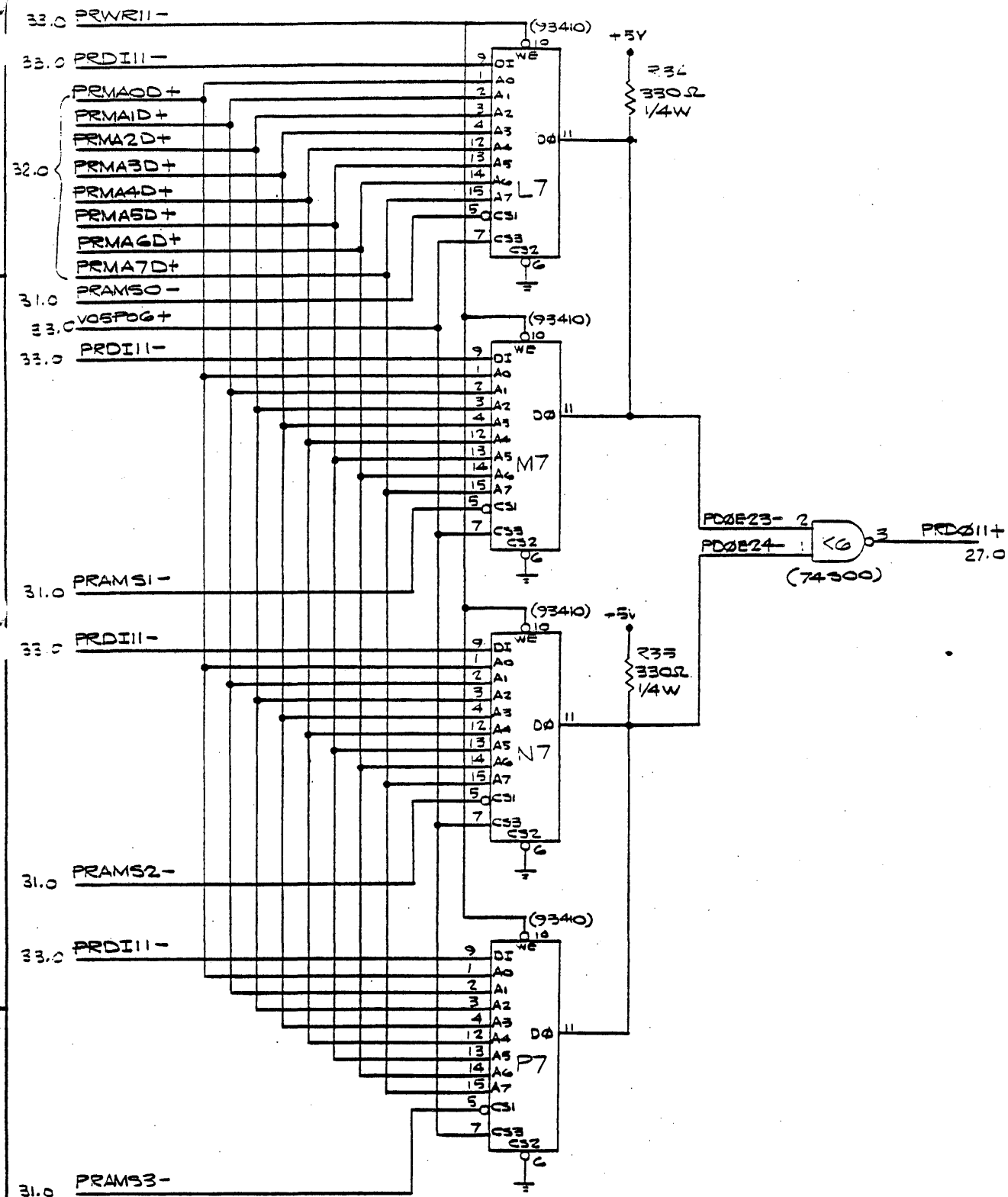
2

1

D

C

B



RAM ARRAYS  
COLUMN 11

| CODE IDENT NO. | SIZE | QWG NO     | REV |
|----------------|------|------------|-----|
| 21101          | C    | 91C0448    | K   |
| SCALE          |      | SHEET 45.0 |     |

4

3

2

1

D

C

B

A

33.0 PRWR12-

33.0 PRD12-

PRMA03+

PRMA10+

PRMA20+

PRMA30+

32.0 PRMA40-

PRMA50-

PRMA60-

PRMA70-

31.0 PRMS0-

33.0 V05F06+

31.0 PRMS1-

31.0 PRMS2-

31.0 PRMS3-

(93410)

(93410)

(93410)

(93410)

(93410)

+5V

+5V

+5V

R36  
330.2  
1/4W

R57  
330.2  
1/4W

PD0E25-  
PD0E26- 3  
K6  
(74300)

PRD12+  
27.0

RAM ARRAY 3  
COLUMN 12

|                |            |         |     |
|----------------|------------|---------|-----|
| CODE IDENT NO. | SIZE       | QWS NO  | REV |
| 21101          | C          | 91C0448 |     |
| SCALE          | SHEET 46.0 |         |     |

4

3

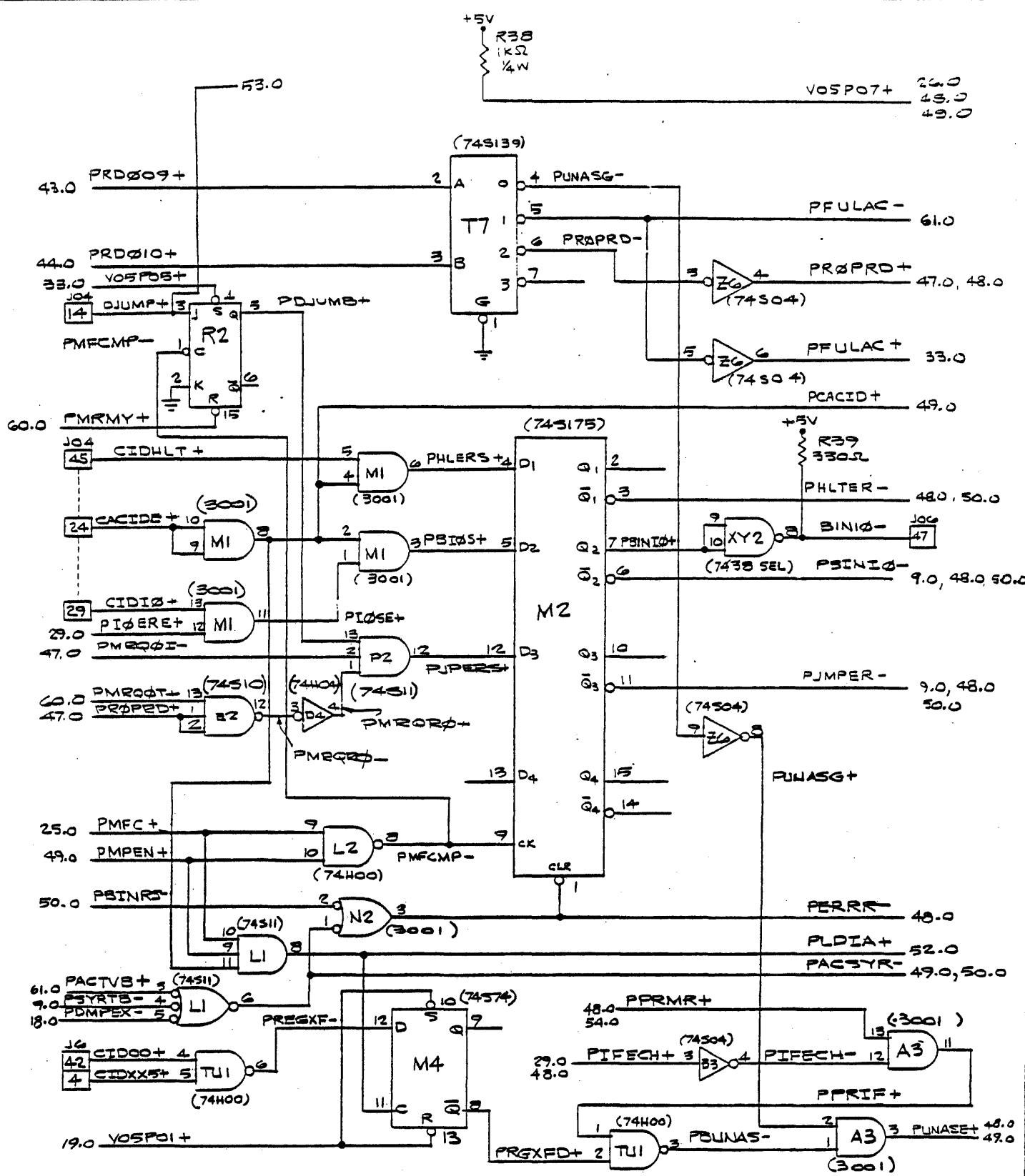
2

1

D

C

B



ACCESS CONTROL DECODE  
 MEMORY PROTECT ERRORS  
 LOAD INSTRUCTION ADDRESS

| CODE IDENT NO. | SIZE | DWG NO      | REV |
|----------------|------|-------------|-----|
| 21101          | C    | 91044B      | K   |
| SCALE          |      | SHEET 47, 8 |     |

4

3

2

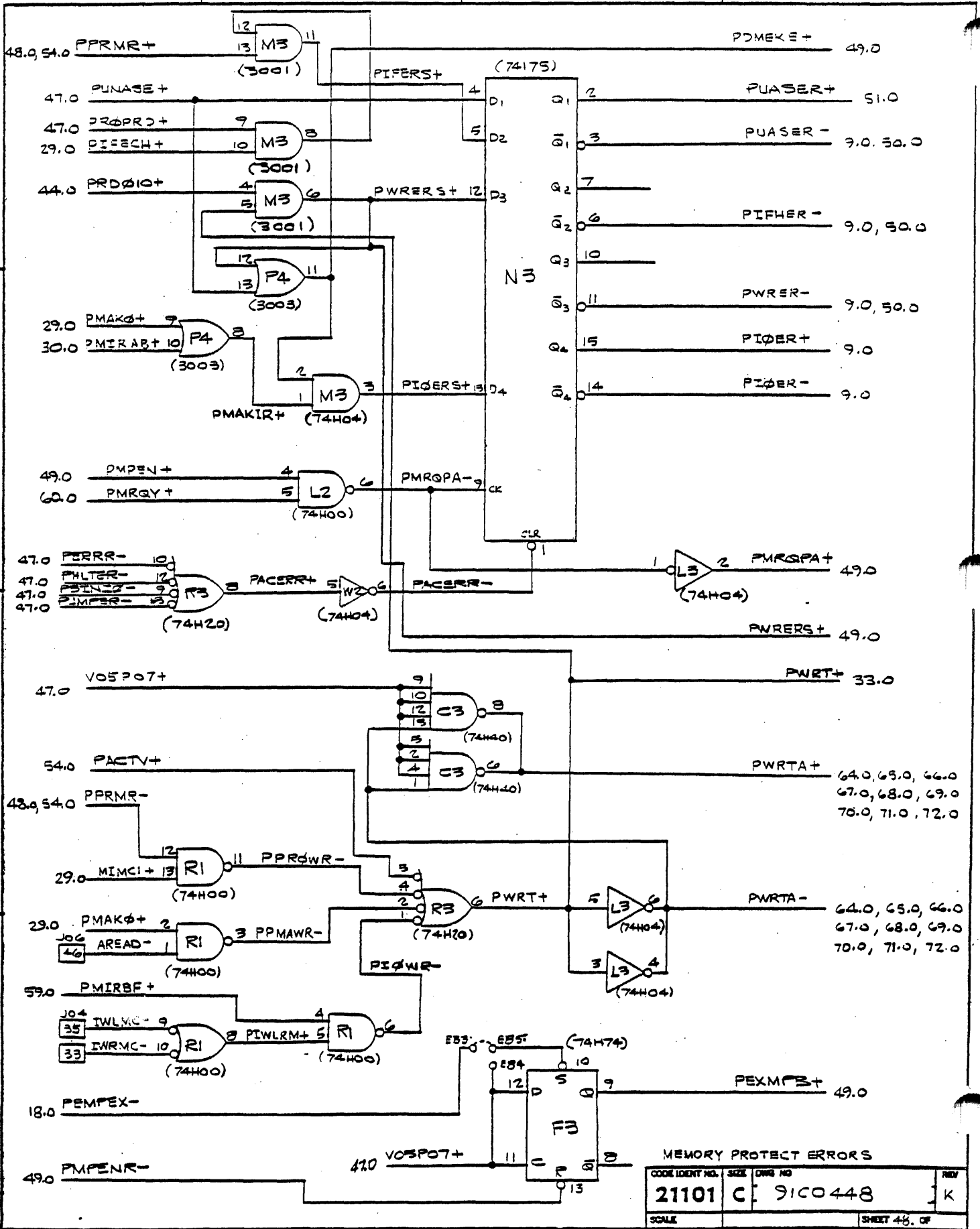
1

D

C

B

A



| MEMORY PROTECT ERRORS |      |         |             |
|-----------------------|------|---------|-------------|
| CODE IDENT NO.        | SIZE | DWG NO  | REV         |
| 21101                 | C    | 9100448 | K           |
| SCALE                 |      |         | SHEET 48 OF |

4

3

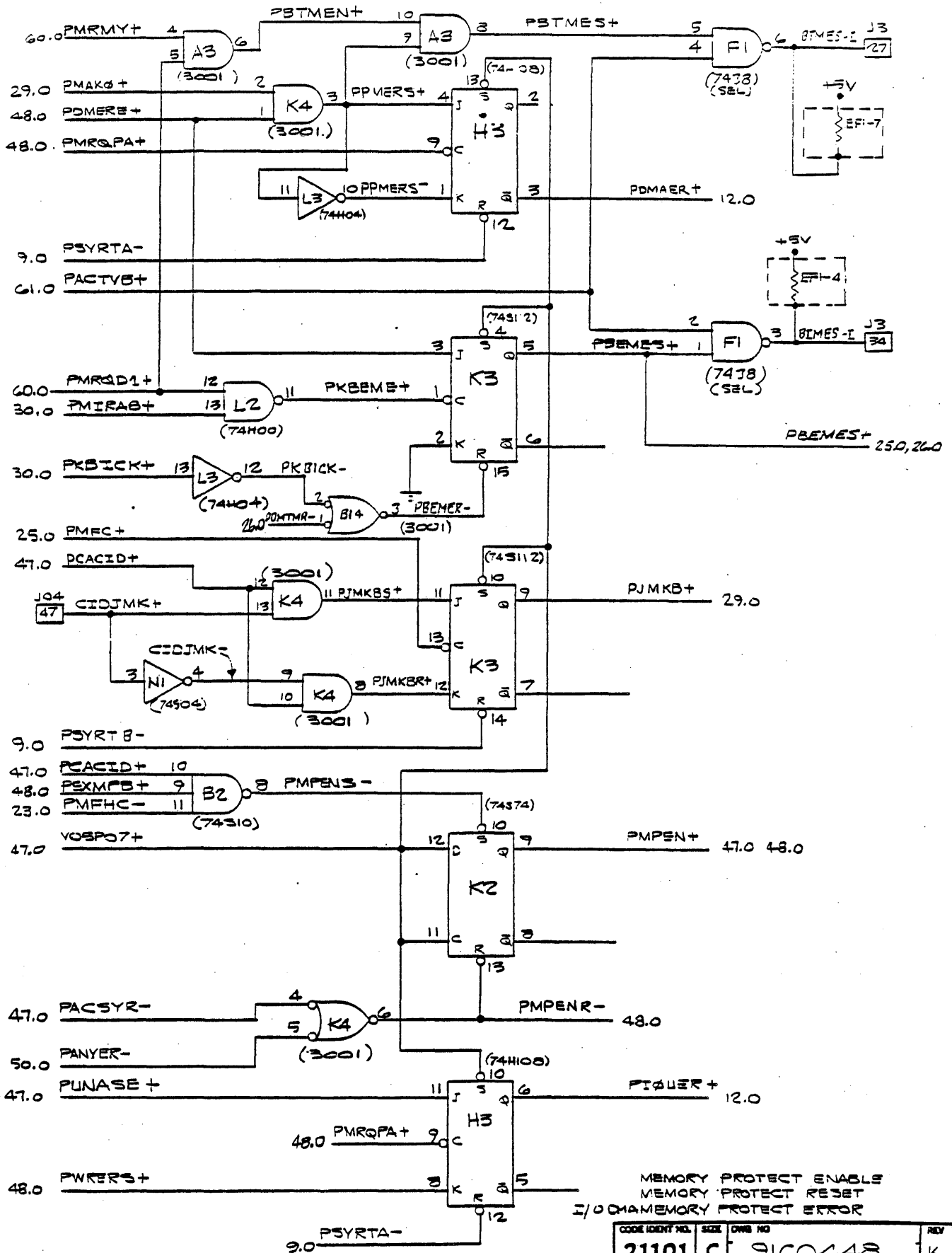
2

1

D

C

B



|                 |      |          |            |
|-----------------|------|----------|------------|
| CODE IDENT. NO. | SIZE | DWG. NO. | REV.       |
| 21101           | C    | 9100448  | K          |
| SCALE           |      |          | SHEET 49.0 |

4

3

2

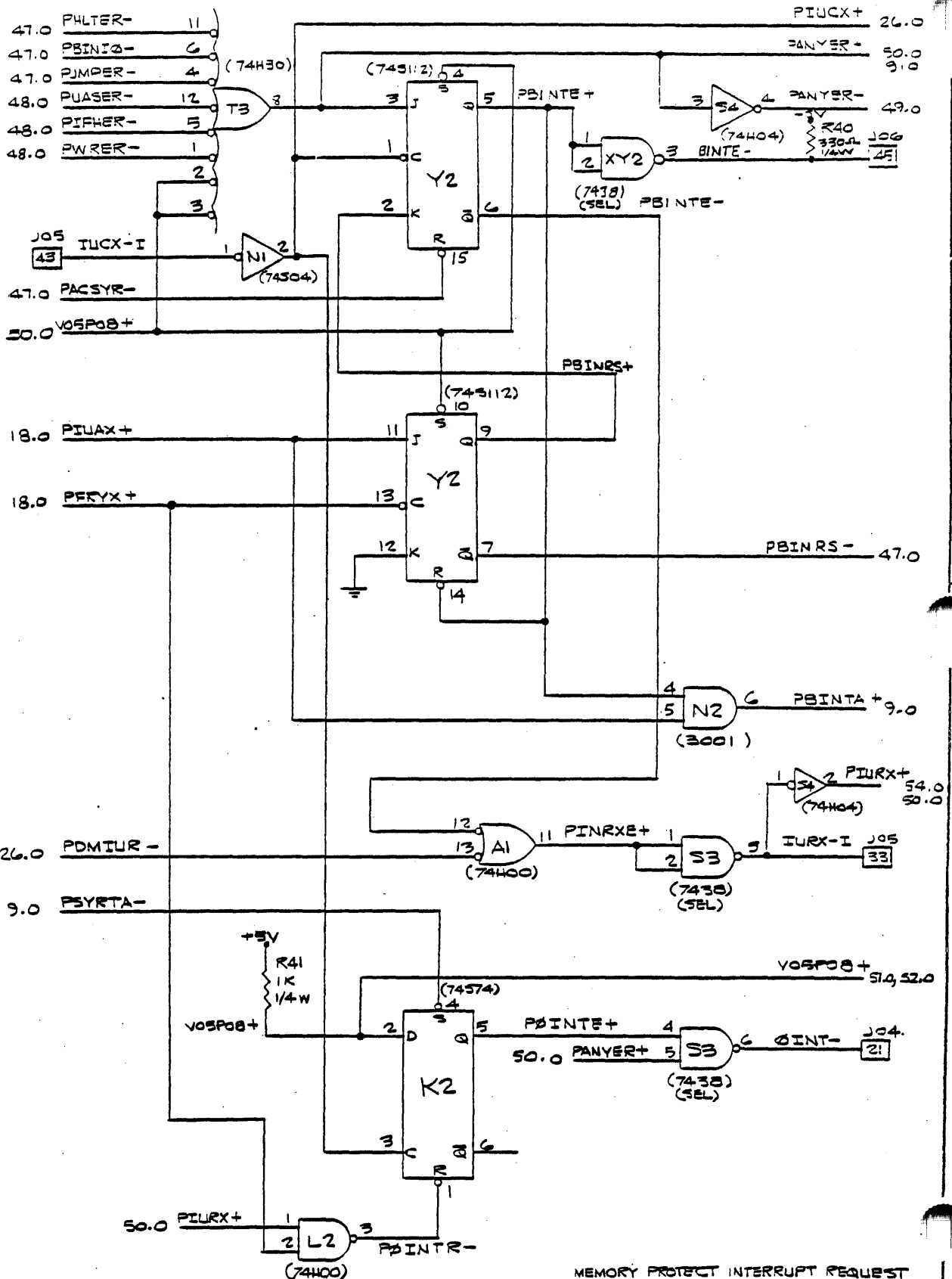
1

D

C

B

A



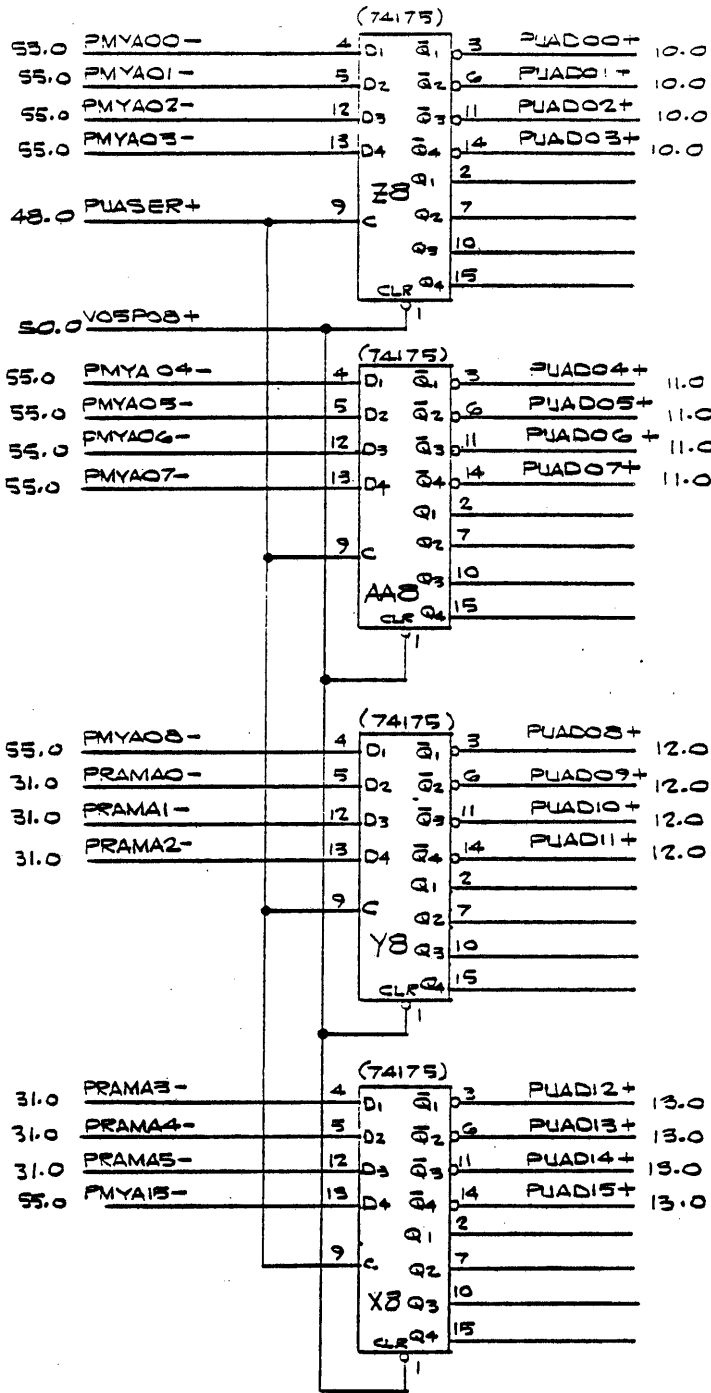
MEMORY PROTECT INTERRUPT REQUEST

| CODE IDENT NO. | SIZE | DRWS NO | REV        |
|----------------|------|---------|------------|
| 21101          | C    | 9100448 | K          |
| SCALE          |      |         | SHEET 50.0 |

D

C

B



UNASSIGNED ADDRESS ERROR REGISTER

|                |      |          |            |
|----------------|------|----------|------------|
| CODE IDENT NO. | SIZE | DRWG NO. | REV        |
| 21101          | C    | 91C0448  | K          |
| SCALE          |      |          | SHEET 51.0 |

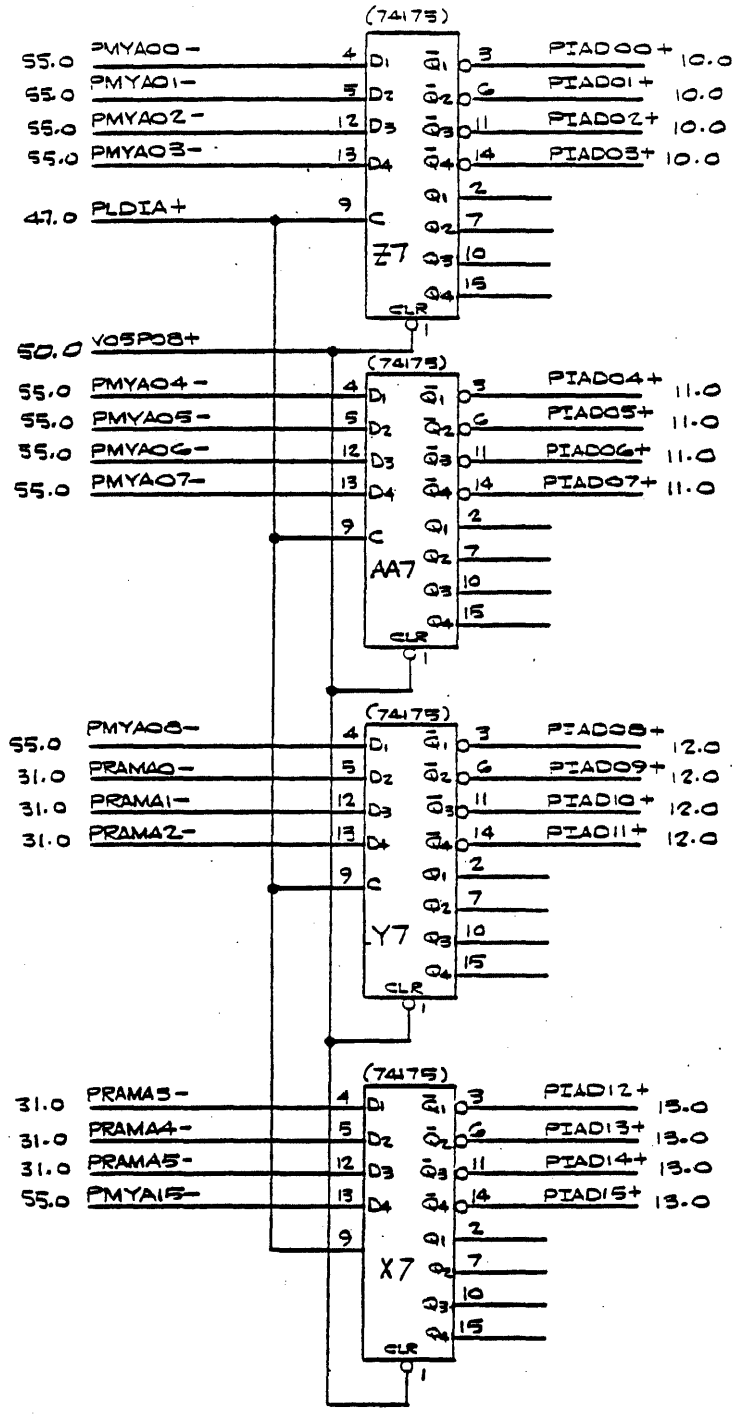


D

C

B

A



INSTRUCTION ADDRESS REGISTER

| CODE IDENT NO. | SIZE | DWG NO     | REV |
|----------------|------|------------|-----|
| 21101          | C    | 91C0448    | K   |
| SCALE          |      | SHEET 52.0 |     |

4

3

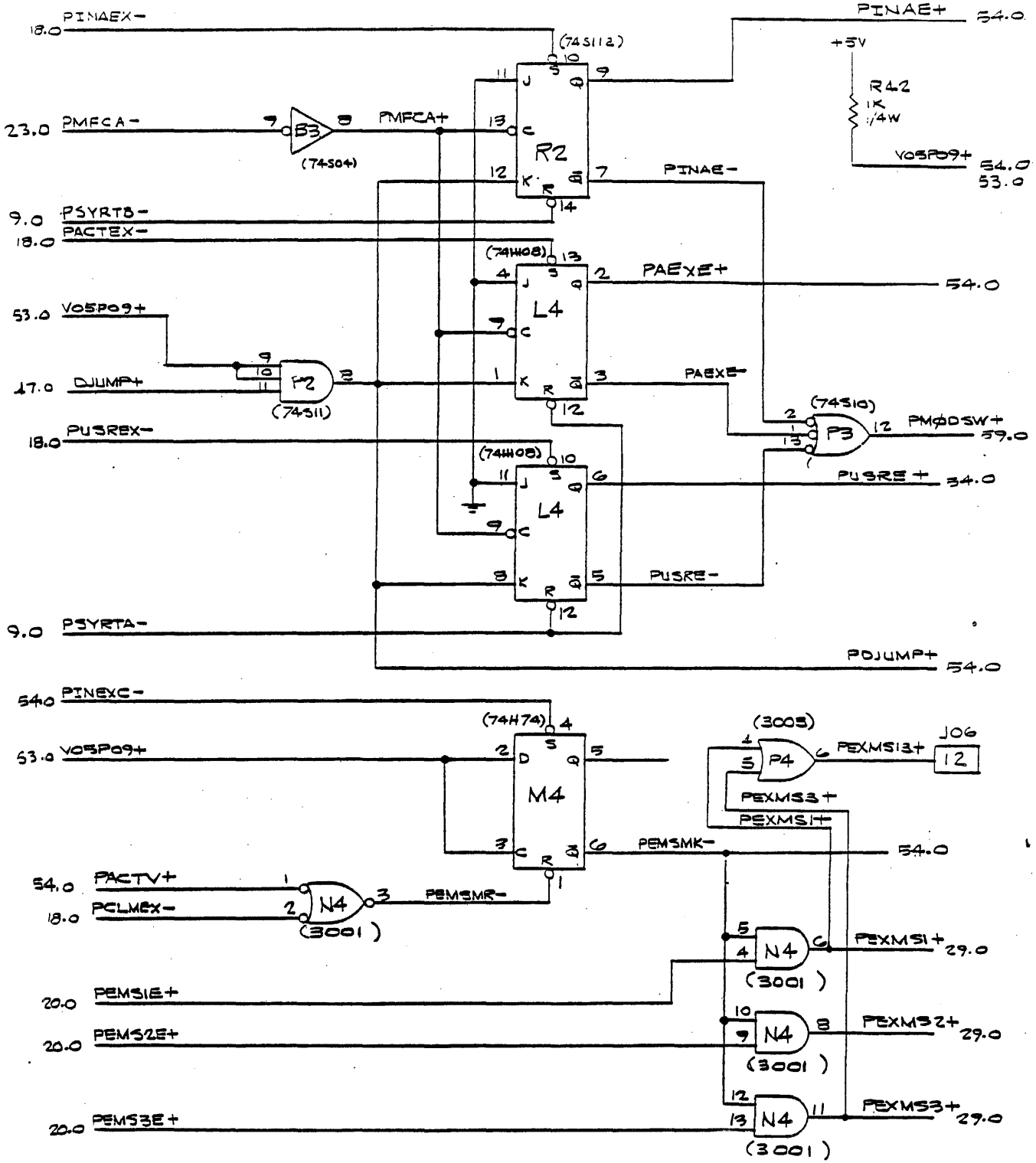
2

1

D

C

B



MODE SWITCHING REGISTERS,  
EXECUTIVE MODE STATES

| CODE IDENT NO. | SIZE | DATE NO    | REV |
|----------------|------|------------|-----|
| 21101          | C    | 91C0443    | K   |
| SCALE          |      | SHEET 53.0 |     |

4

3

2

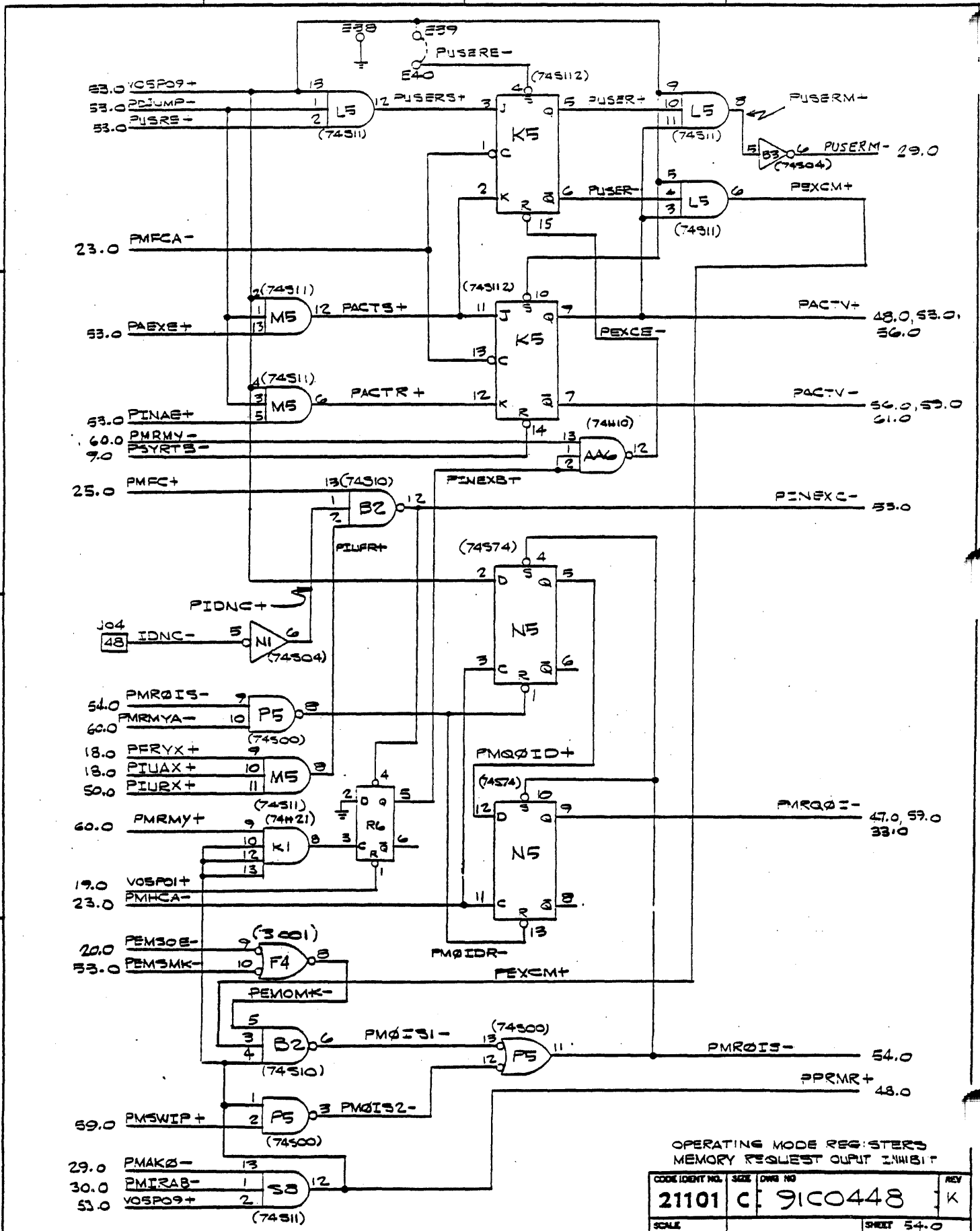
1

D

C

B

A



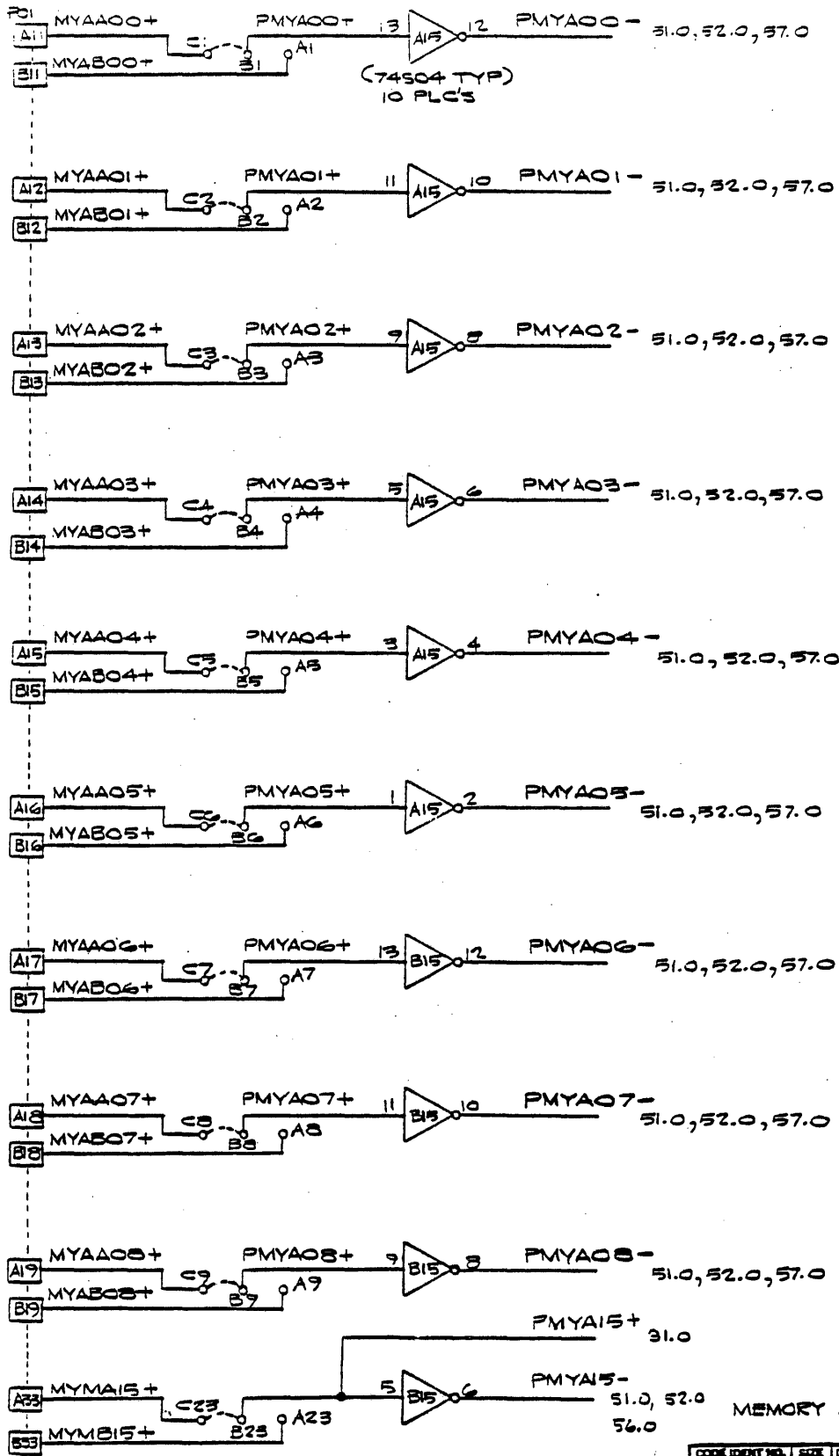
OPERATING MODE REGISTERS  
MEMORY REQUEST OUTPUT INHIBIT

| CODE IDENT NO. | SIZE | DWG NO  | REV        |
|----------------|------|---------|------------|
| 21101          | C    | 91C0448 | K          |
| SCALE          |      |         | SHEET 54.0 |

D

C

B



|                |            |         |     |
|----------------|------------|---------|-----|
| CODE IDENT NO. | SIZE       | DWG NO. | REV |
| 21101          | C          | 91C0448 | K   |
| SCALE          | SHEET 55.0 |         |     |

4

3

2

1

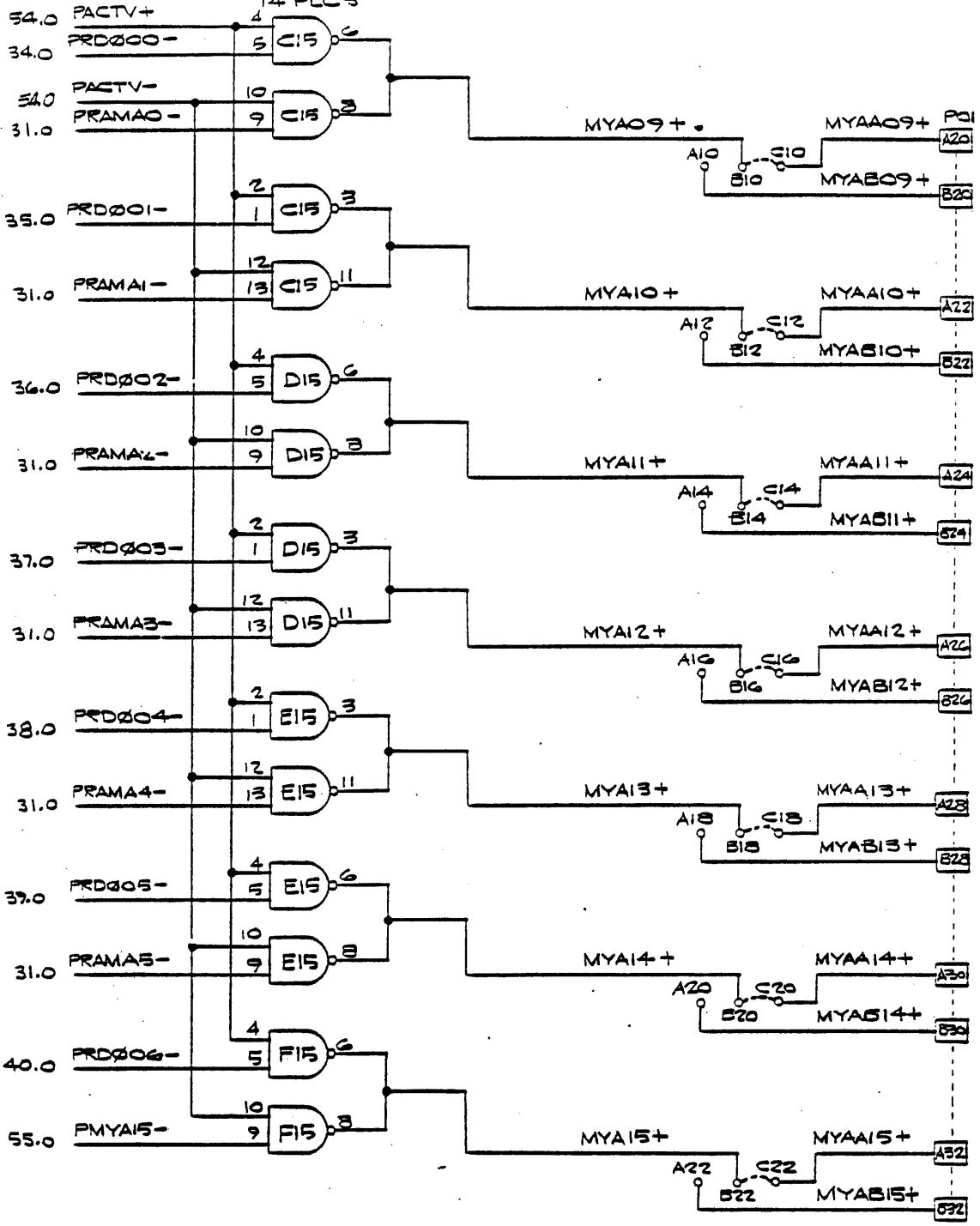
D

C

B

A

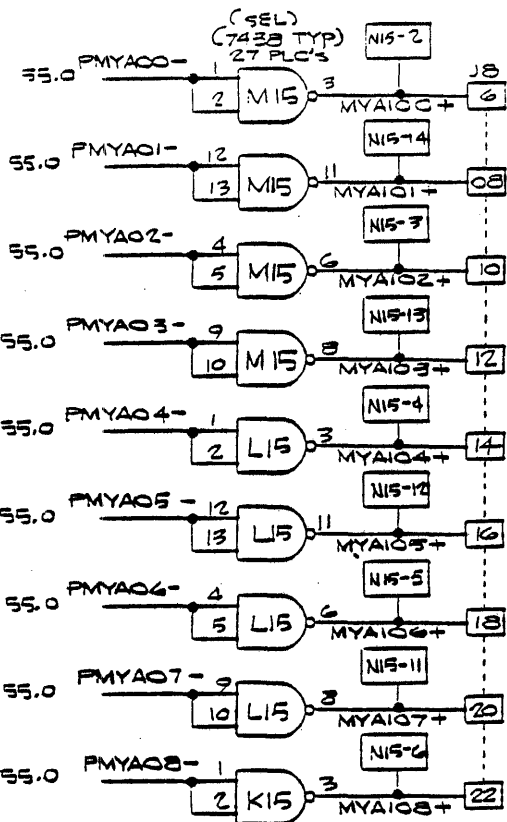
(7438 SEL TYP)  
14 PLC'S



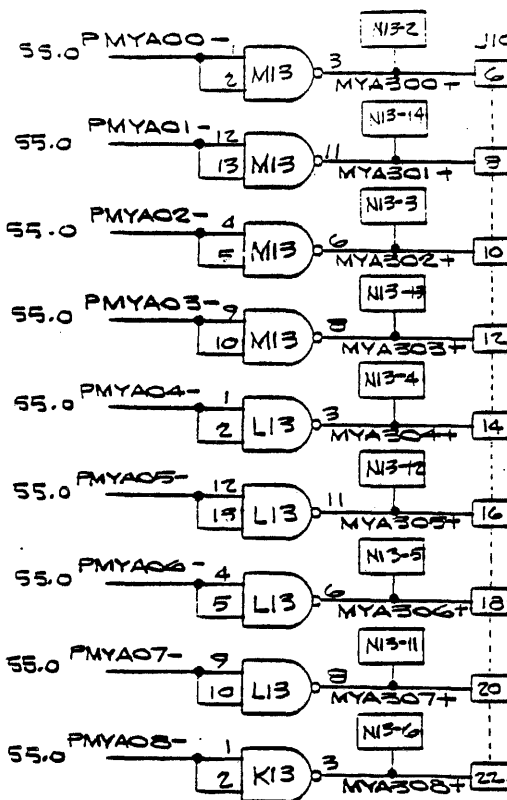
MEMORY ADDRESS DRIVERS  
BIT 9-5

| CODE IDENT NO. | SIZE | DWG NO  | REV        |
|----------------|------|---------|------------|
| 21101          | C    | 91C0448 | K          |
| SCALE          |      |         | SHEET 56-0 |

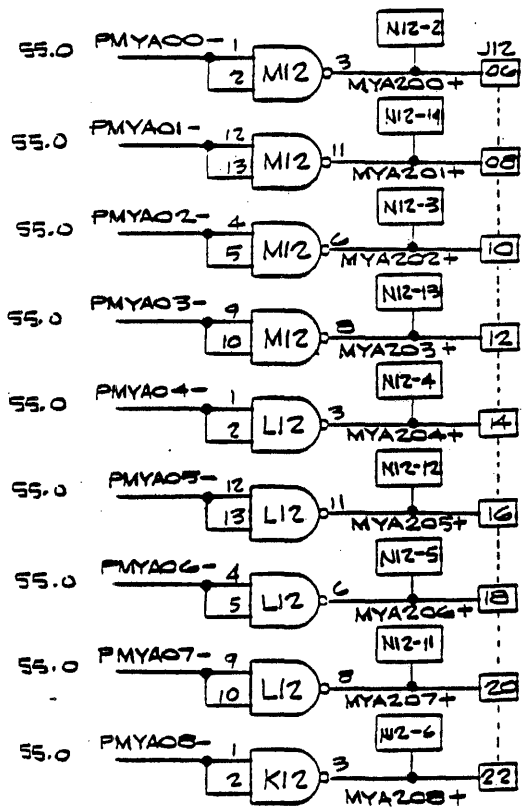
D



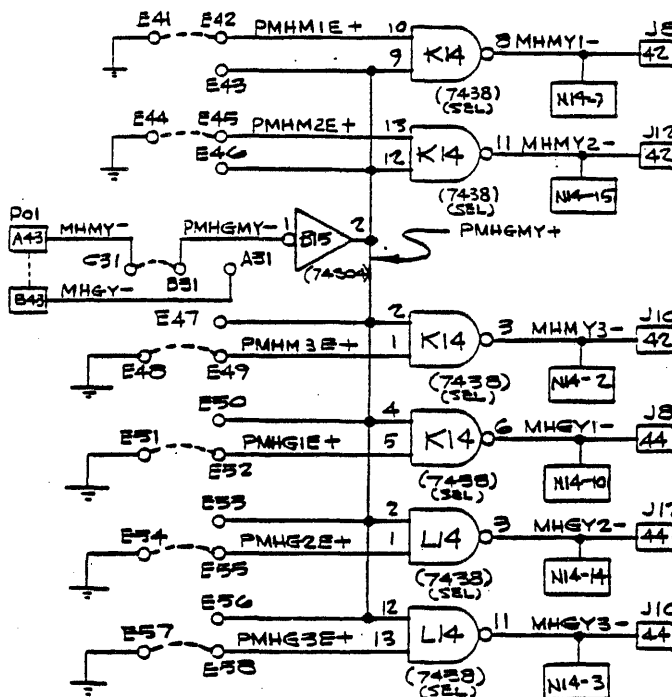
C



B



A



MEMORY LOCKOUT  
 MEMORY ADDRESS REPOWER  
 BIT 0-8

| CODE IDENT NO. | SIZE | QWG NO     | REV |
|----------------|------|------------|-----|
| 21101          | C    | 91C0448    | K   |
| SCALE          |      | SHEET 57.0 |     |

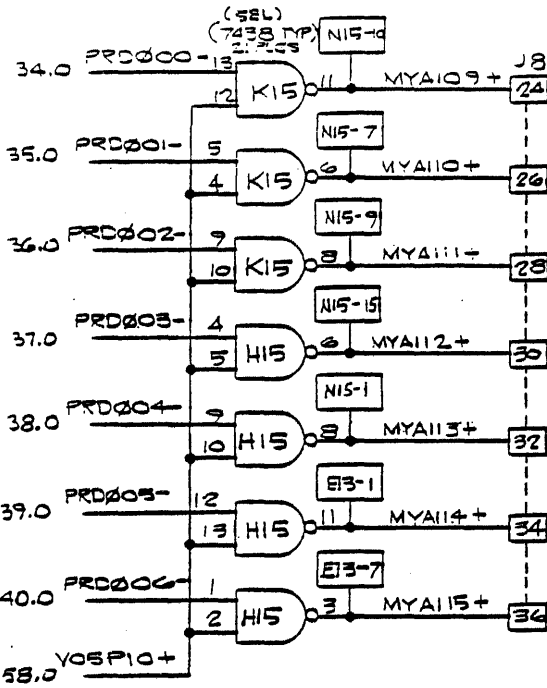
4

3

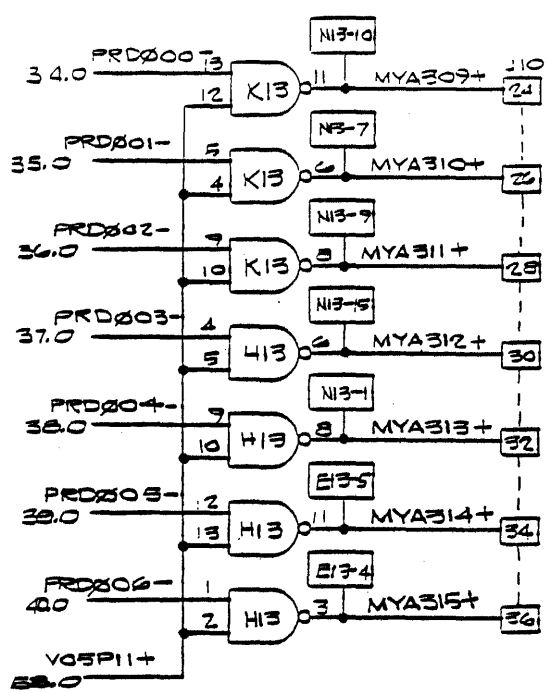
2

1

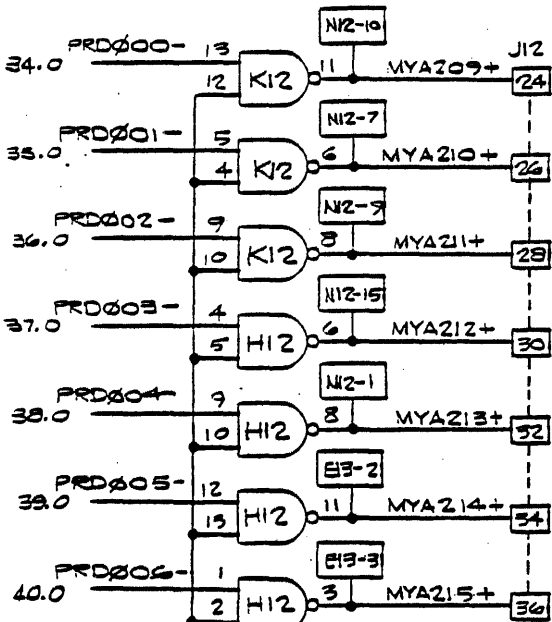
D



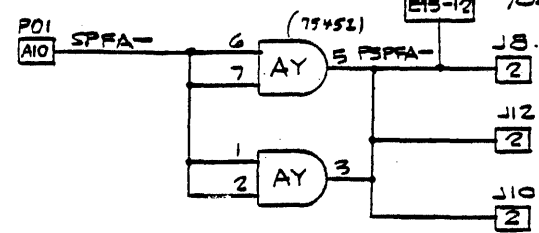
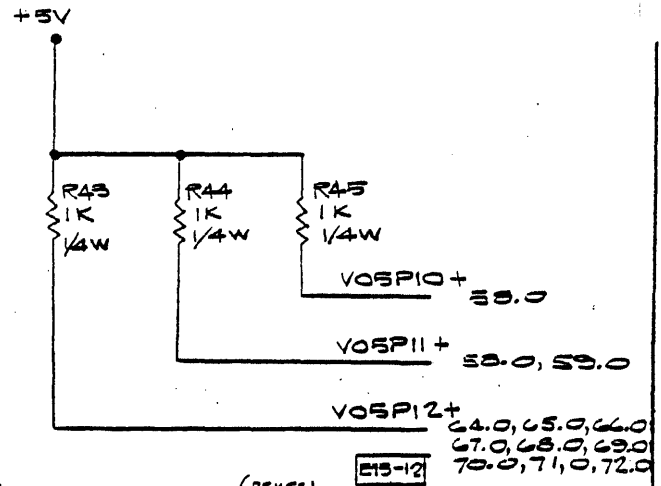
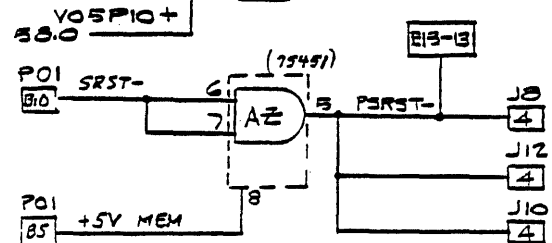
C



B



A



MEMORY ADDRESS REPOWER BIT 9-13

| CODE IDENT NO. | SIZE | DWG NO  | REV        |
|----------------|------|---------|------------|
| 21101          | C    | 91C0448 | K          |
| SCALE          |      |         | SHEET 58.0 |

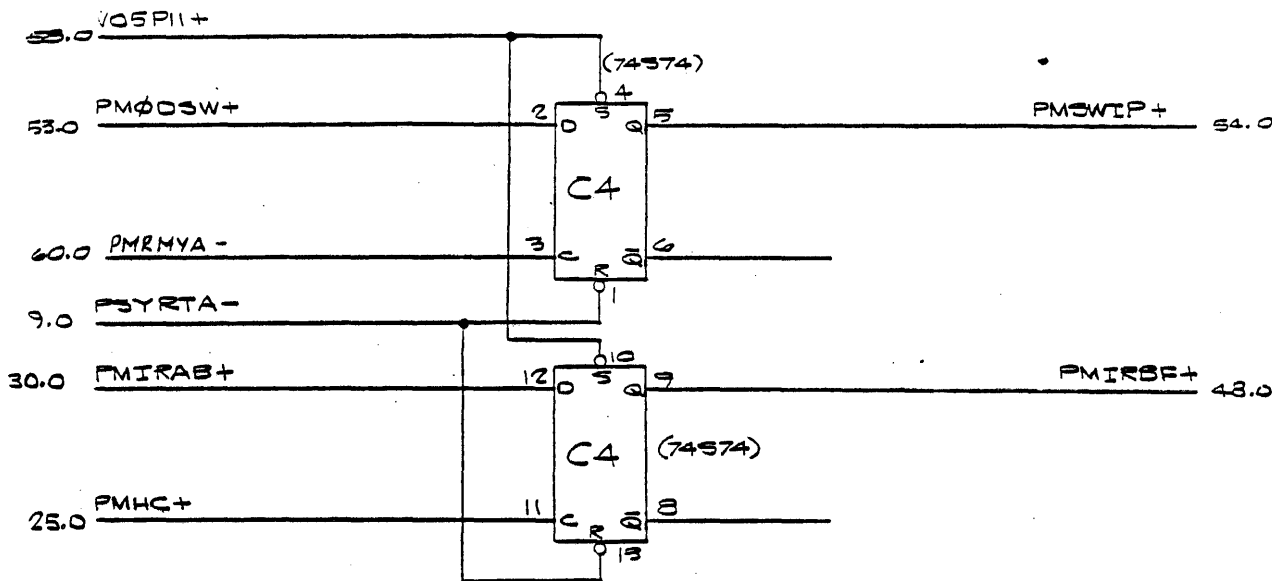
4

3

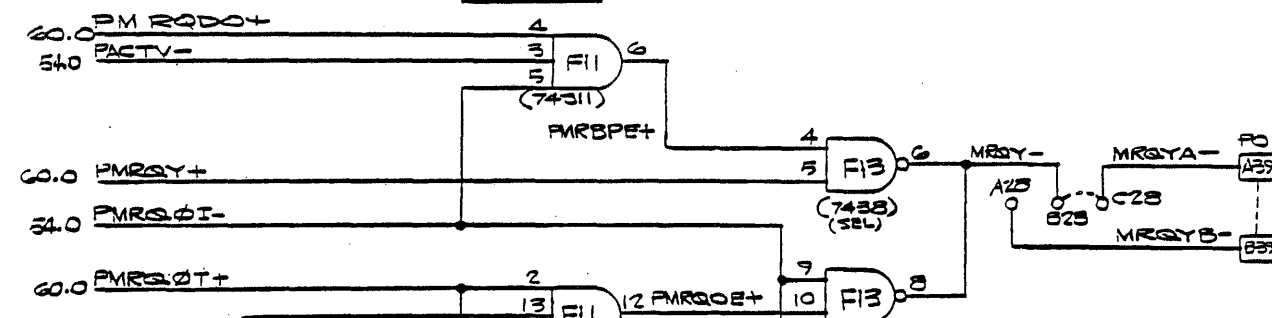
2

1

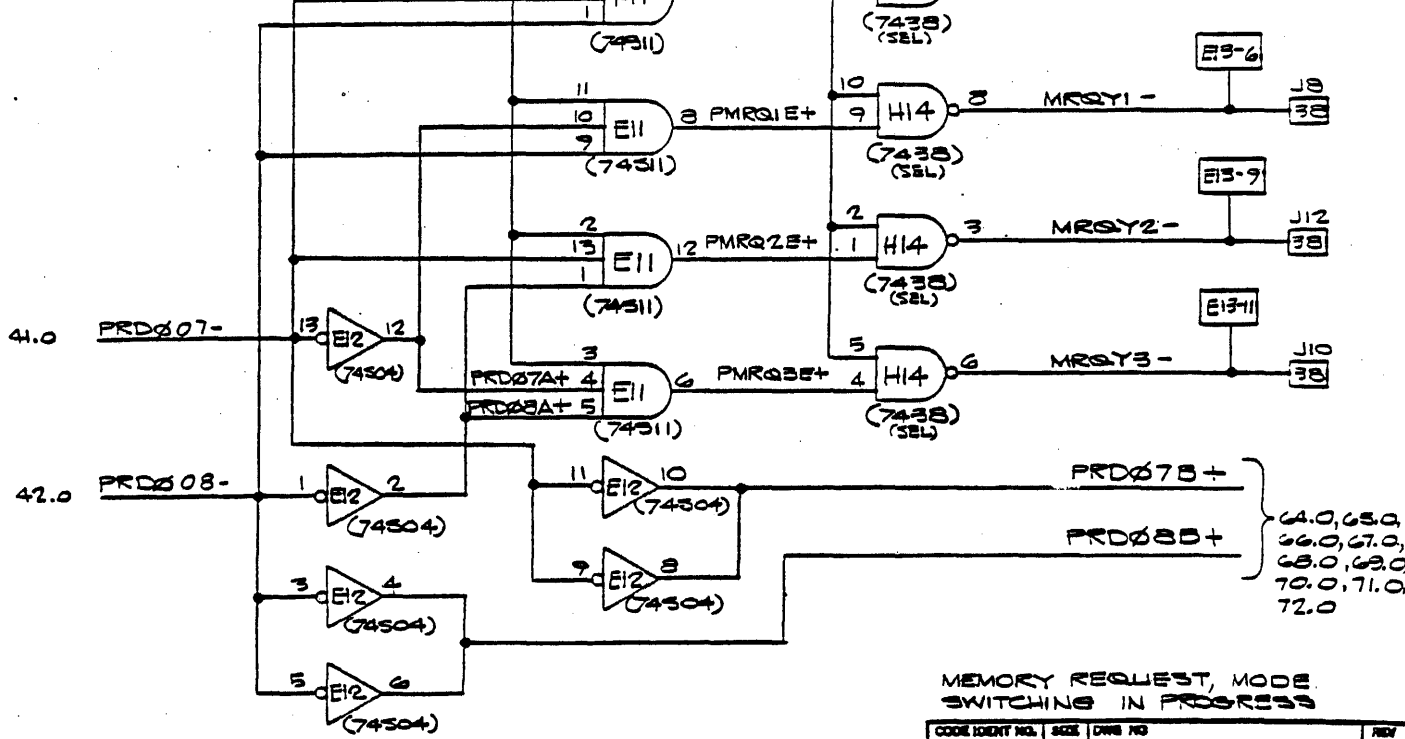
D



C



B



MEMORY REQUEST, MODE SWITCHING IN PROGRESS

| CODE IDENT NO. | SIZE | DWG NO.    | REV |
|----------------|------|------------|-----|
| 21101          | C    | 91C0448    | K   |
| SCALE          |      | SHEET 59.0 |     |



4

3

2

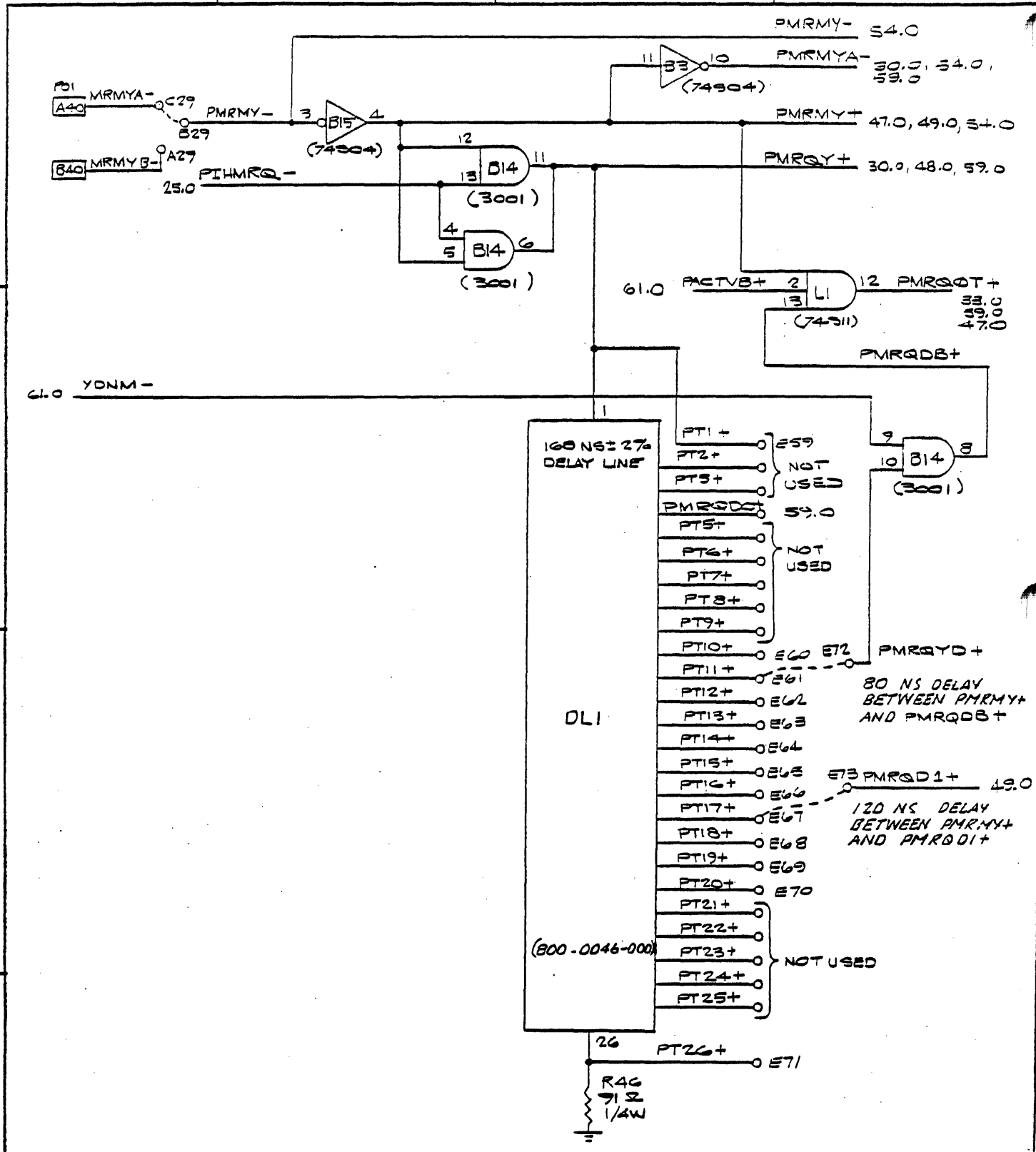
1

D

C

B

A



DELAYED MEMORY REQUEST

|                |       |          |      |
|----------------|-------|----------|------|
| CODE IDENT NO. | SIZE  | DRWG NO. | REV. |
| 21101          | C     | 91C0448  | K    |
| SCALE          | SHEET |          | 60.0 |

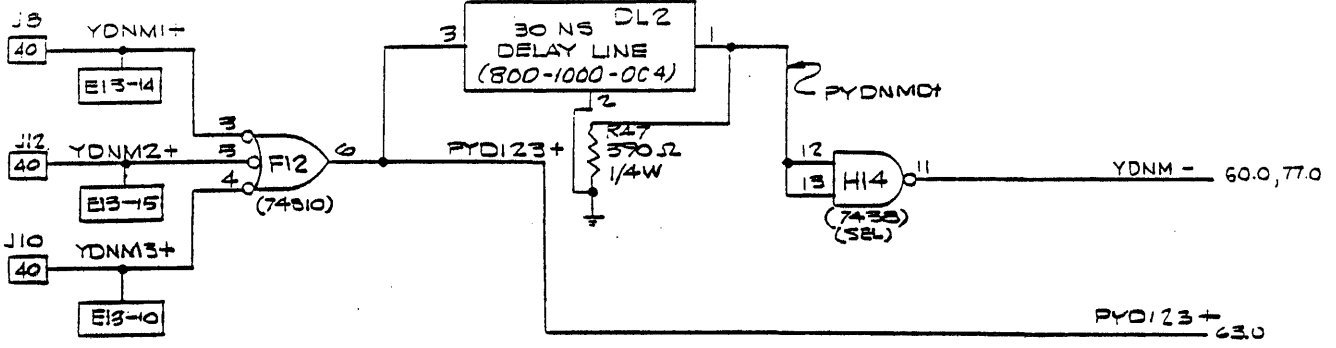
4

3

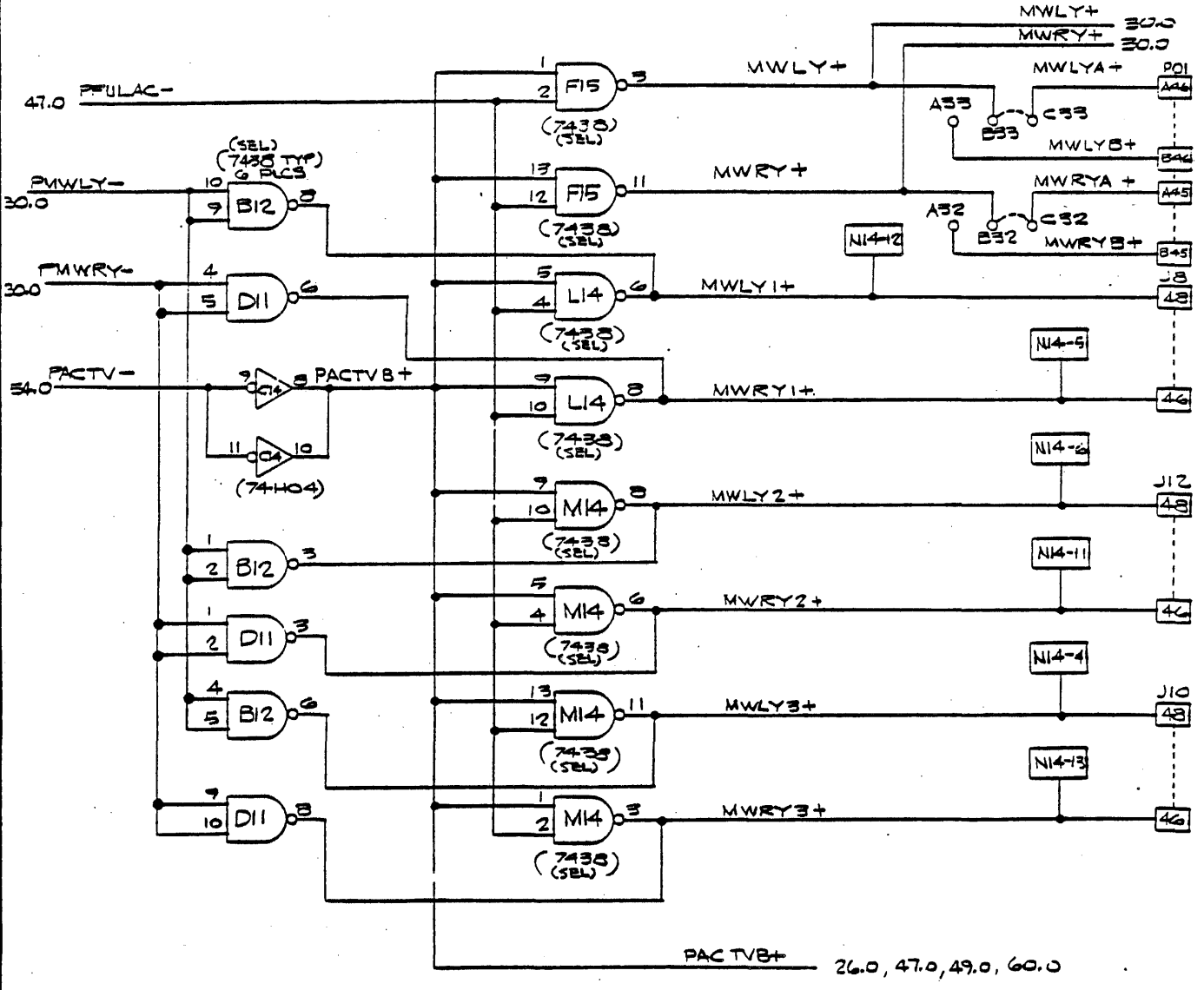
2

1

D



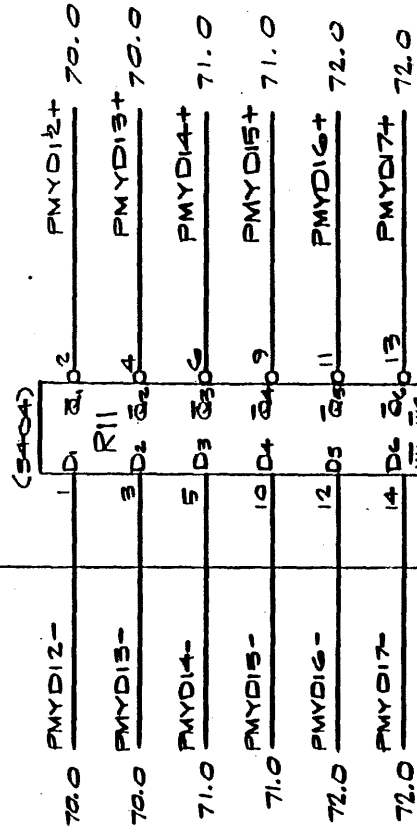
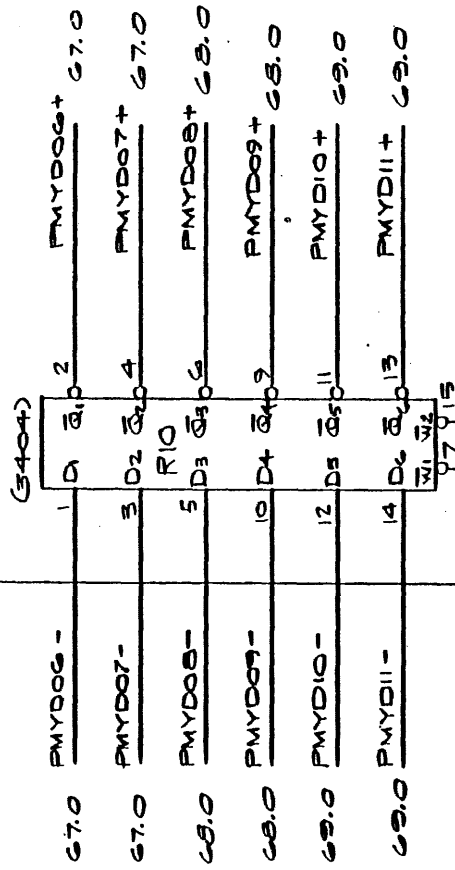
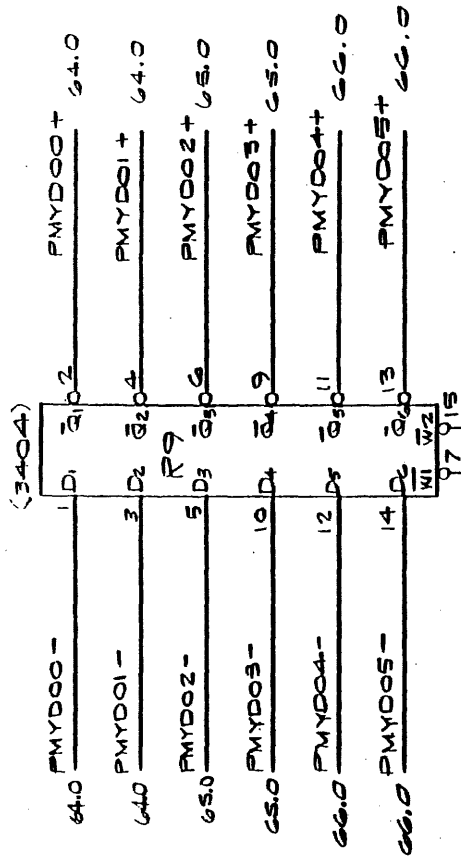
C

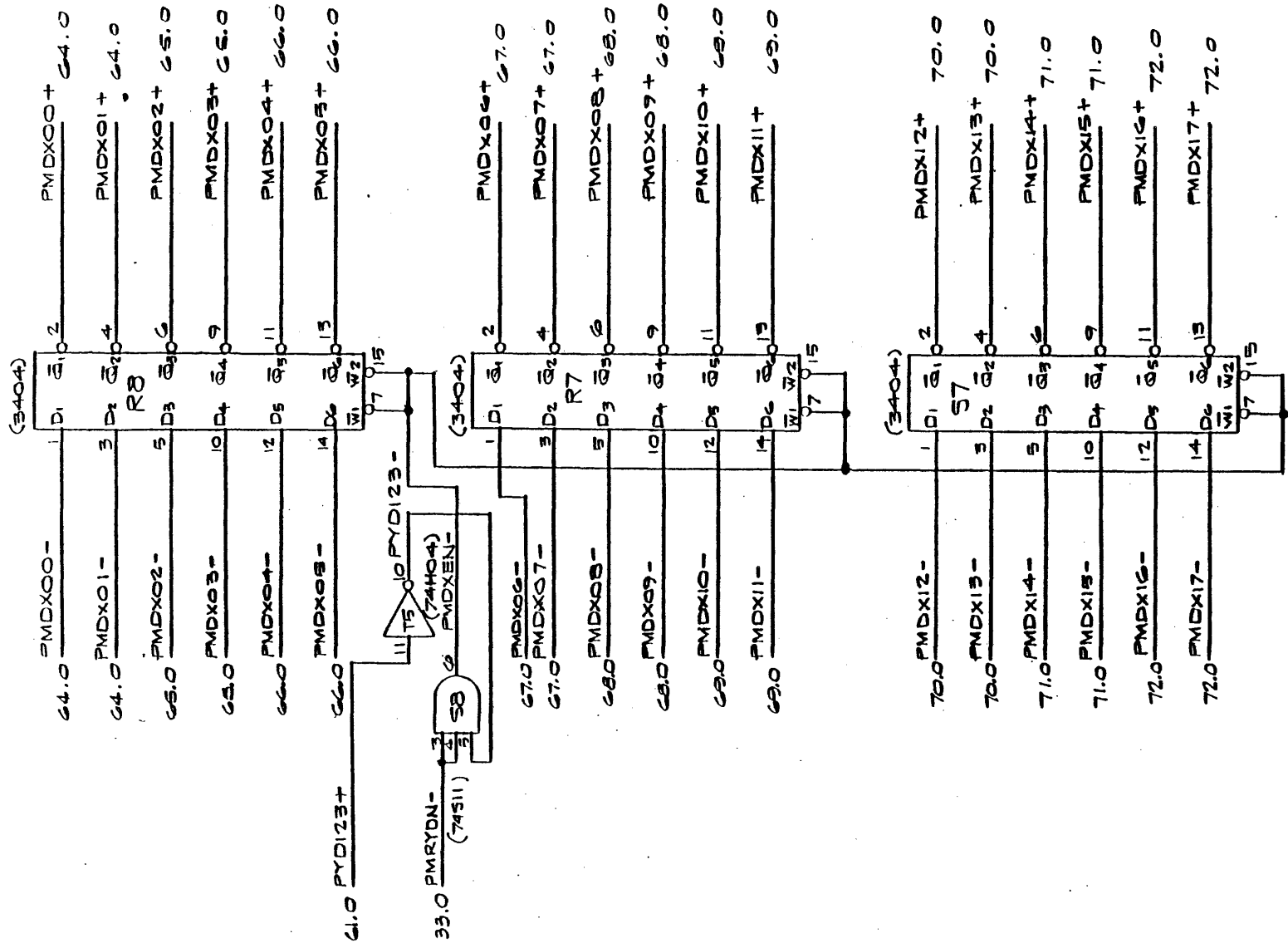


B

MEMORY DONE, MEMORY WRITE DISABLE

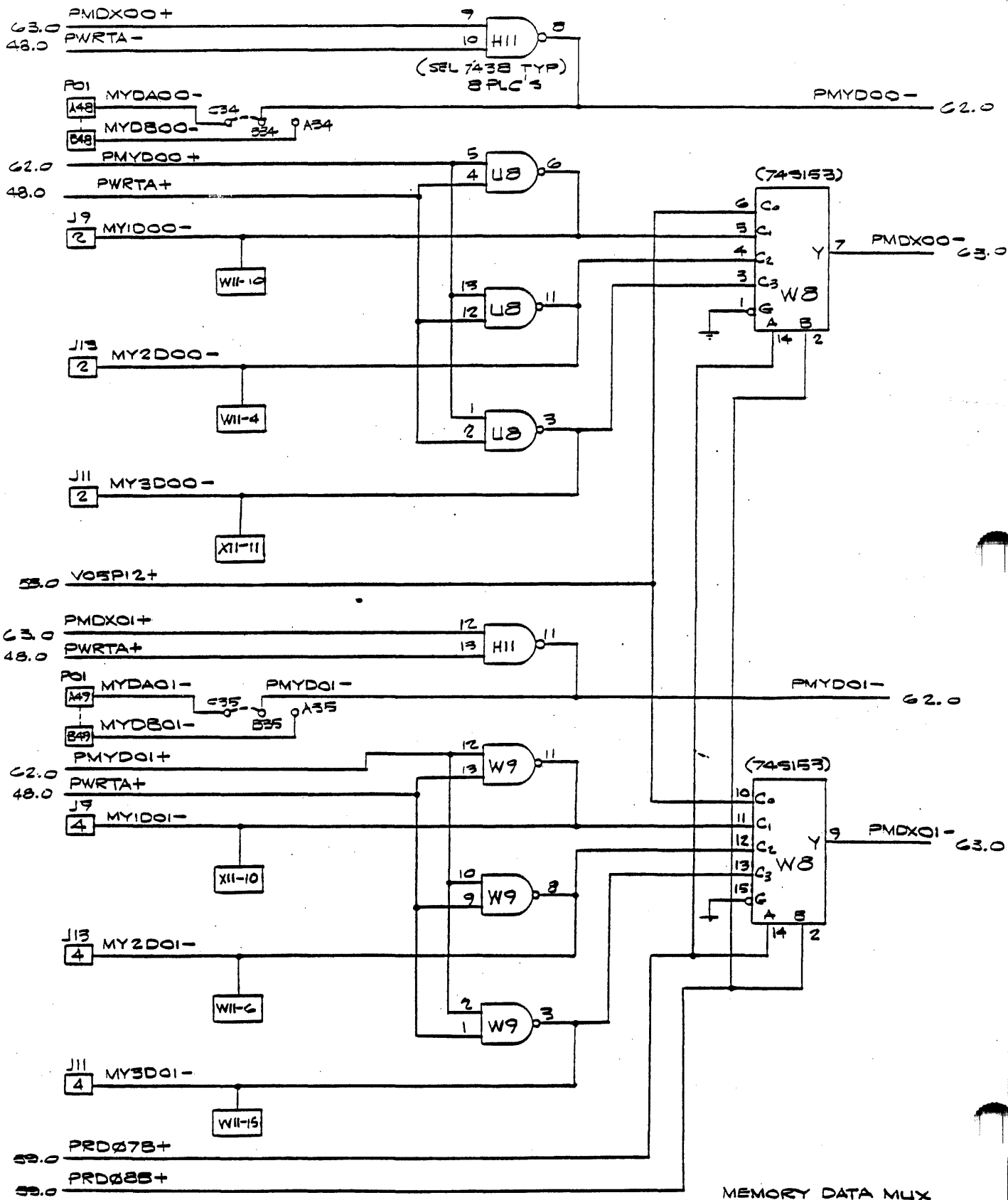
| CODE IDENT NO. | SIZE | DWG NO  | REV          |
|----------------|------|---------|--------------|
| 21101          | C    | 9100448 | K            |
| SCALE          |      |         | SHEET 1.0 OF |





MEMORY DATA INPUT BUFFER

|                |      |         |            |
|----------------|------|---------|------------|
| CODE SHEET NO. | SIZE | DATE    | REV        |
| 21101          | C    | 910044B | K          |
| SCALE          |      |         | SHEET 63.0 |



MEMORY DATA MUX BIT 0-1

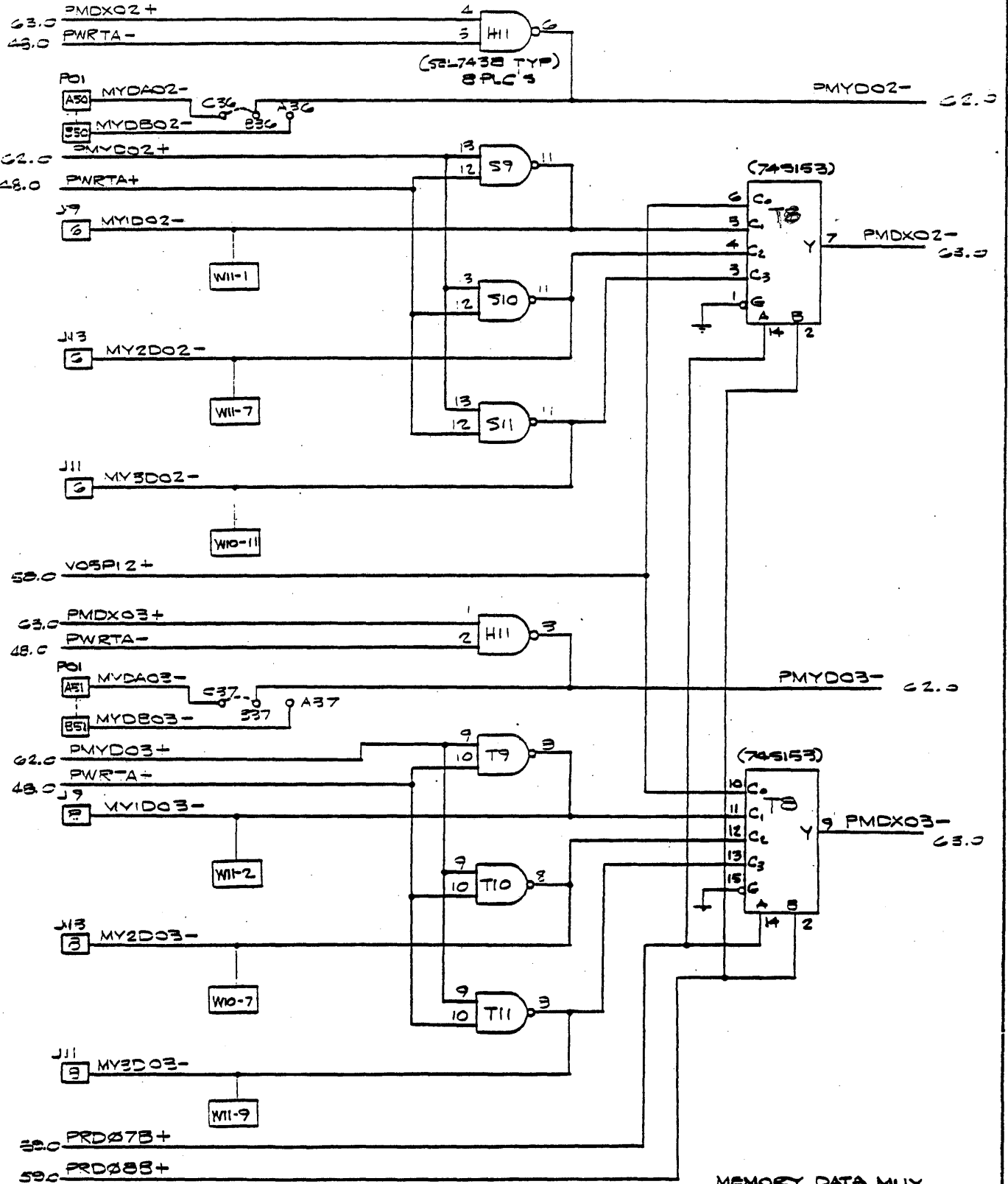
| CODE IDENT NO. | SIZE | DWG NO  | REV |
|----------------|------|---------|-----|
| 21101          | C    | 91C0448 | K   |

4

3

2

1



MEMORY DATA MUX  
BIT 2-3

|                |      |            |     |
|----------------|------|------------|-----|
| CODE IDENT NO. | SIZE | DATE NO    | REV |
| 21101          | C    | 91C0448    | K   |
| SCALE          |      | SHEET 65-0 |     |

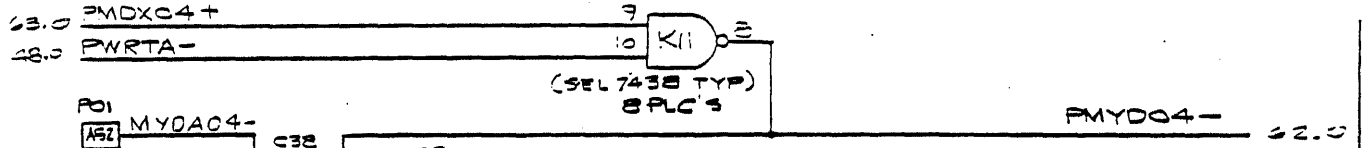
4

3

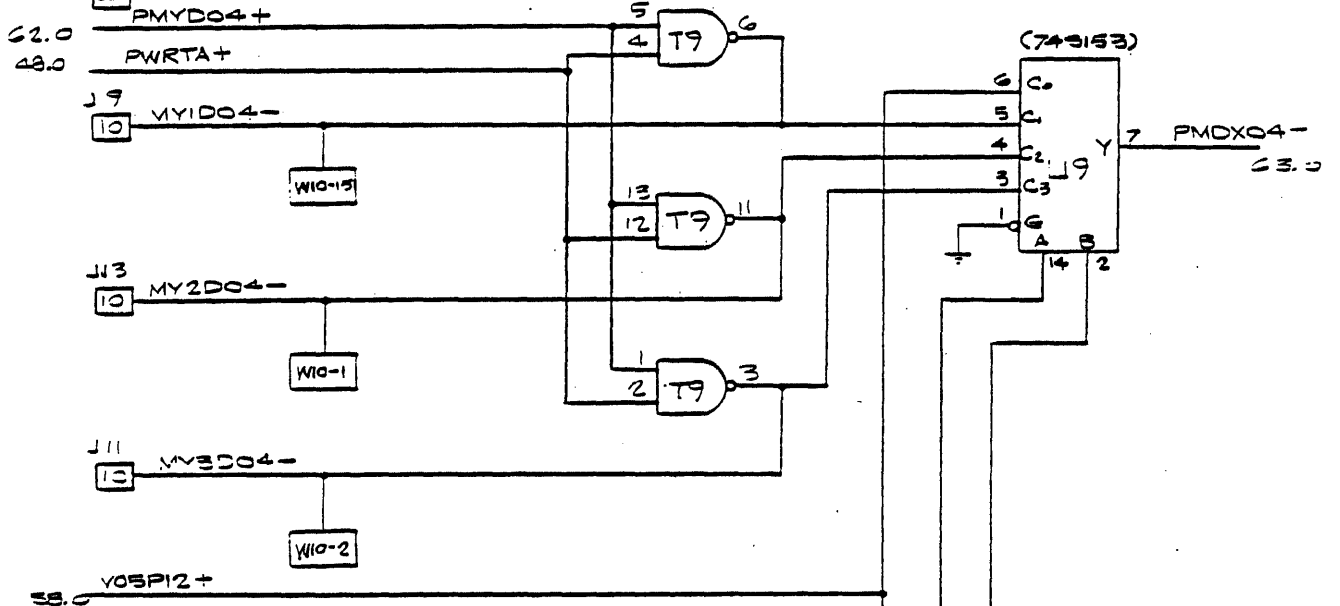
2

1

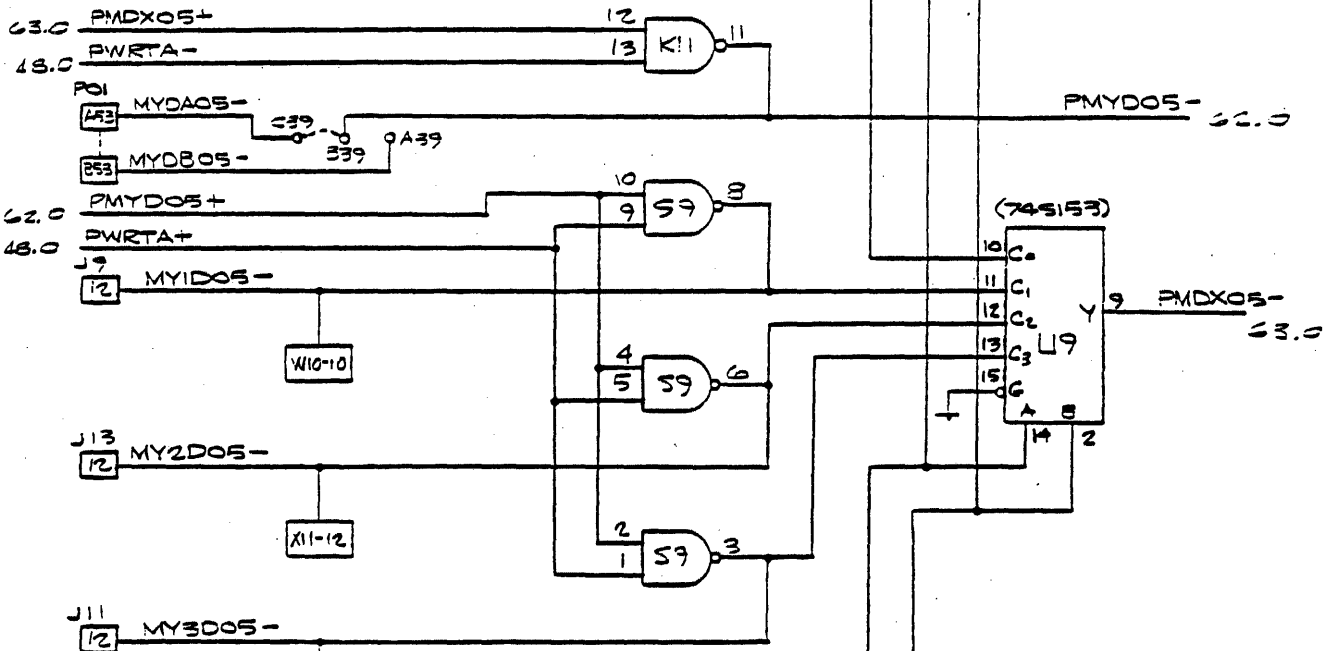
D



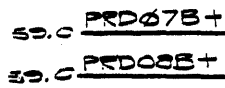
C



B



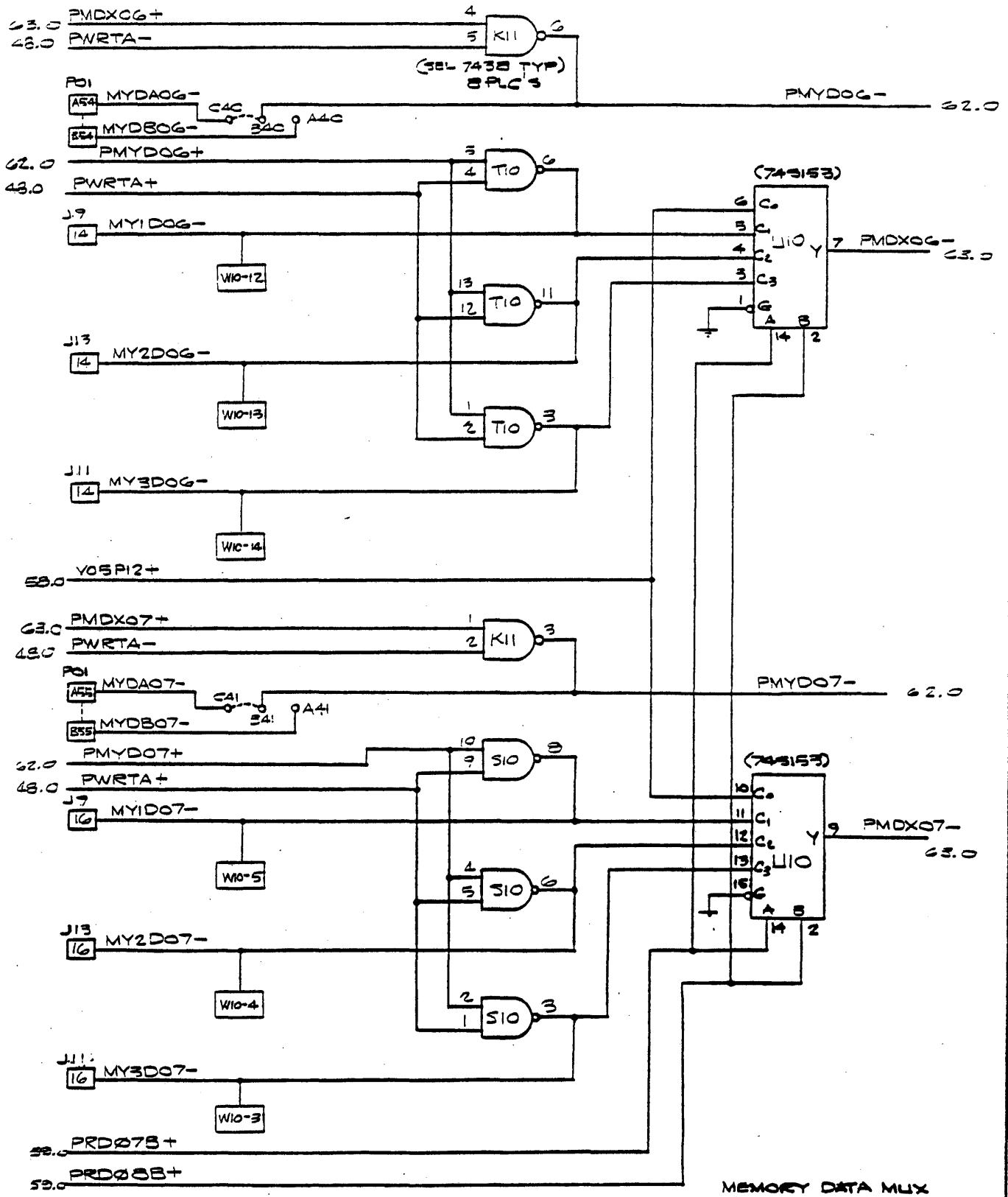
A



MEMORY DATA MUX  
BIT 4-5

| CODE IDENT NO. | REV        | DATE   | REV |
|----------------|------------|--------|-----|
| 21101          | C          | 910448 | K   |
| SCALE          | SHEET 66.0 |        |     |

4 3 2 1



MEMORY DATA MUX  
BIT 6-7

|                 |            |         |    |
|-----------------|------------|---------|----|
| CODE IDENT. NO. | REV.       | DATE    | BY |
| 21101 C         |            | 91C0448 | K  |
| SCALE           | SHEET 67.0 |         |    |



4

3

2

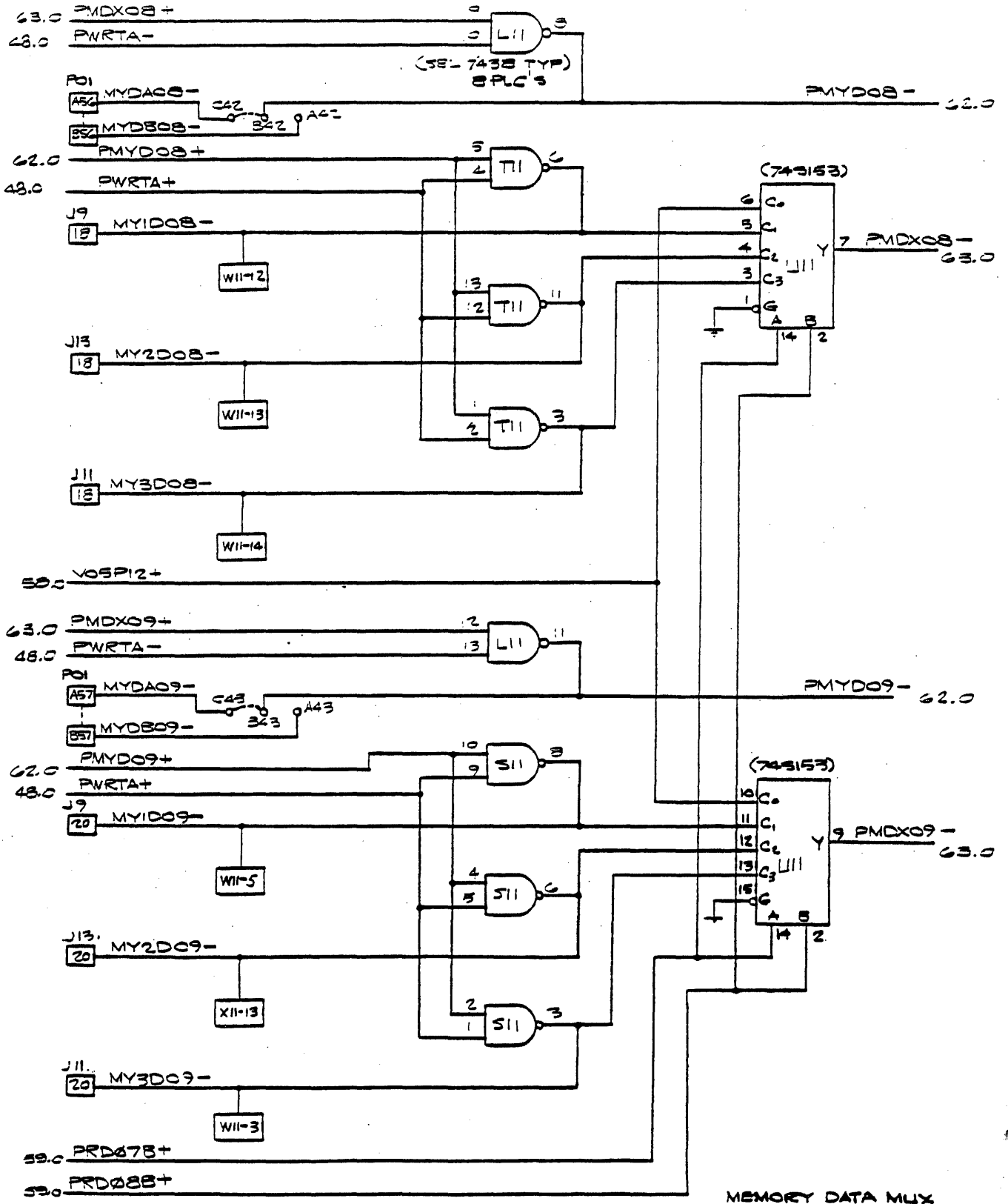
1

D

C

B

A



MEMORY DATA MUX  
BIT 8-9

|                |     |         |            |
|----------------|-----|---------|------------|
| CODE IDENT NO. | REV | QWB NO  | REV        |
| 21101          | C   | 91C0448 | K          |
| SCALE          |     |         | SHEET 68.0 |

4

3

2

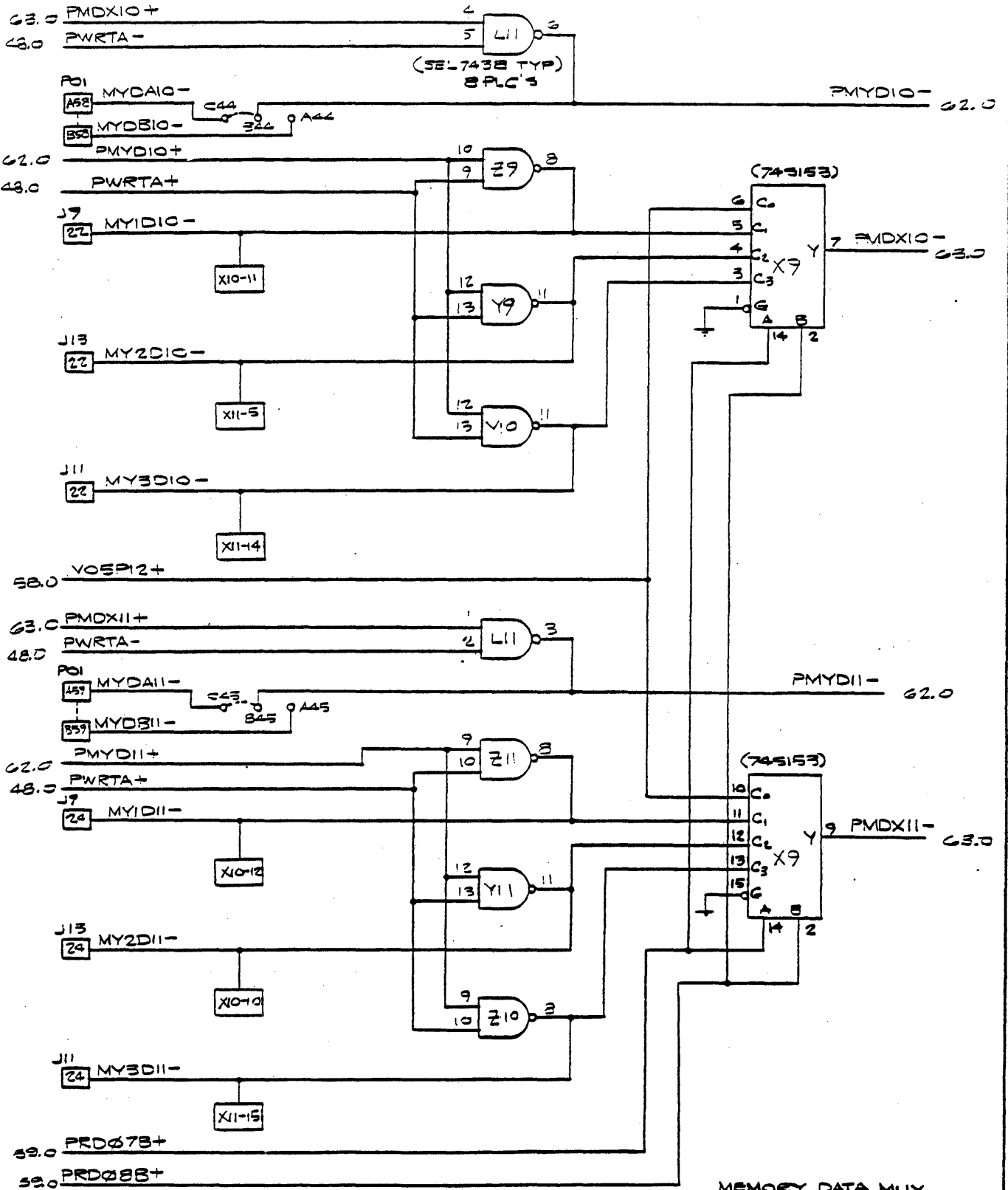
1

D

C

B

A



MEMORY DATA MUX  
BIT 10-11

| CODE IDENT NO. | SIZE | DRWG NO | REV  |
|----------------|------|---------|------|
| 21101          | C    | 91C0448 | K    |
| SCALE          |      | SHEET   | 69.0 |

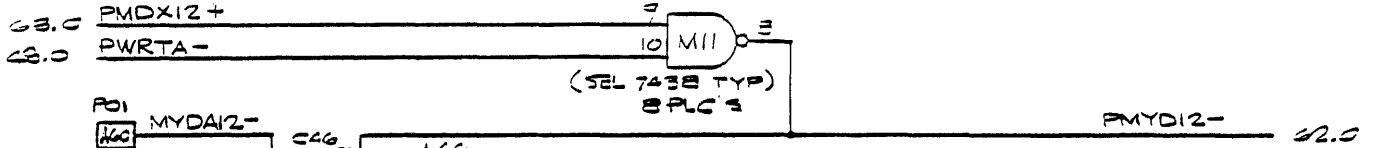
4

3

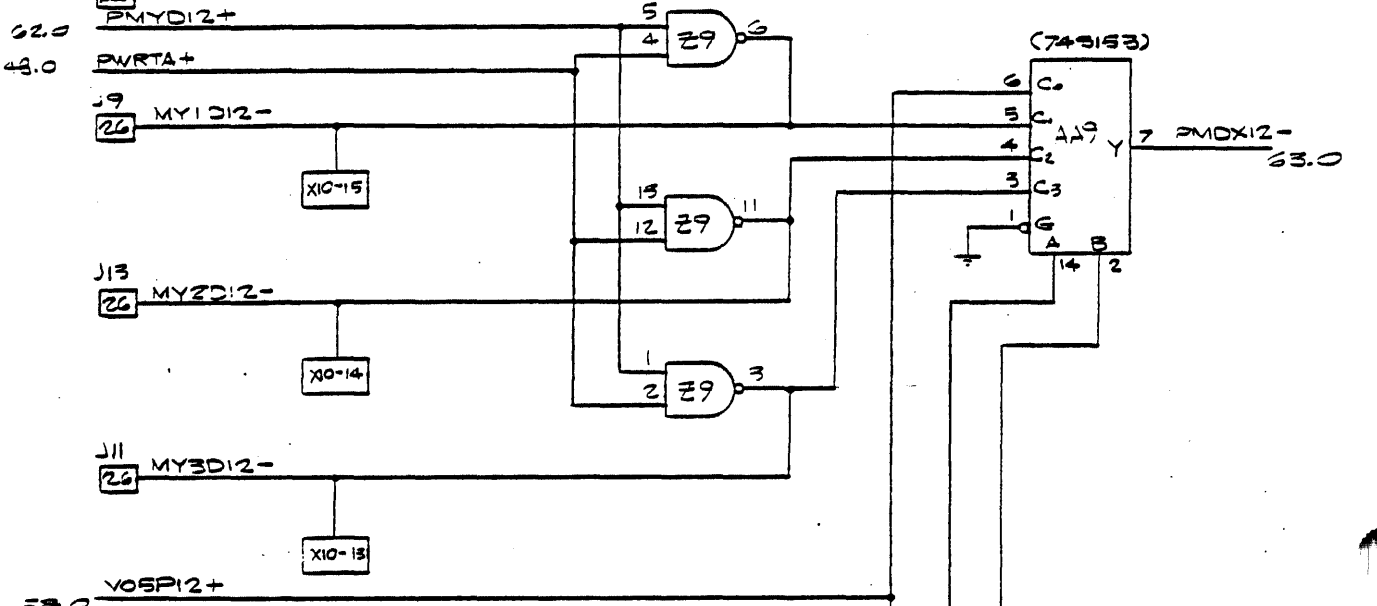
2

1

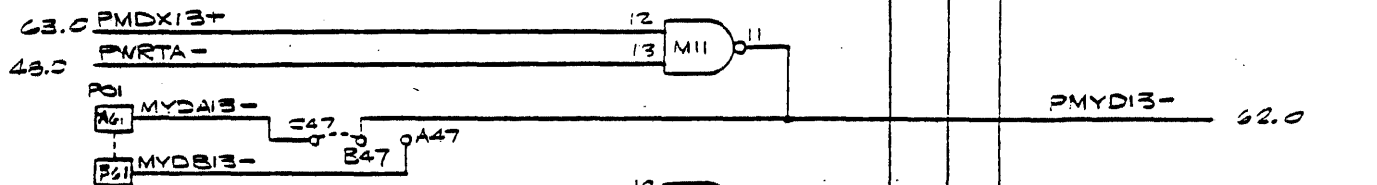
D



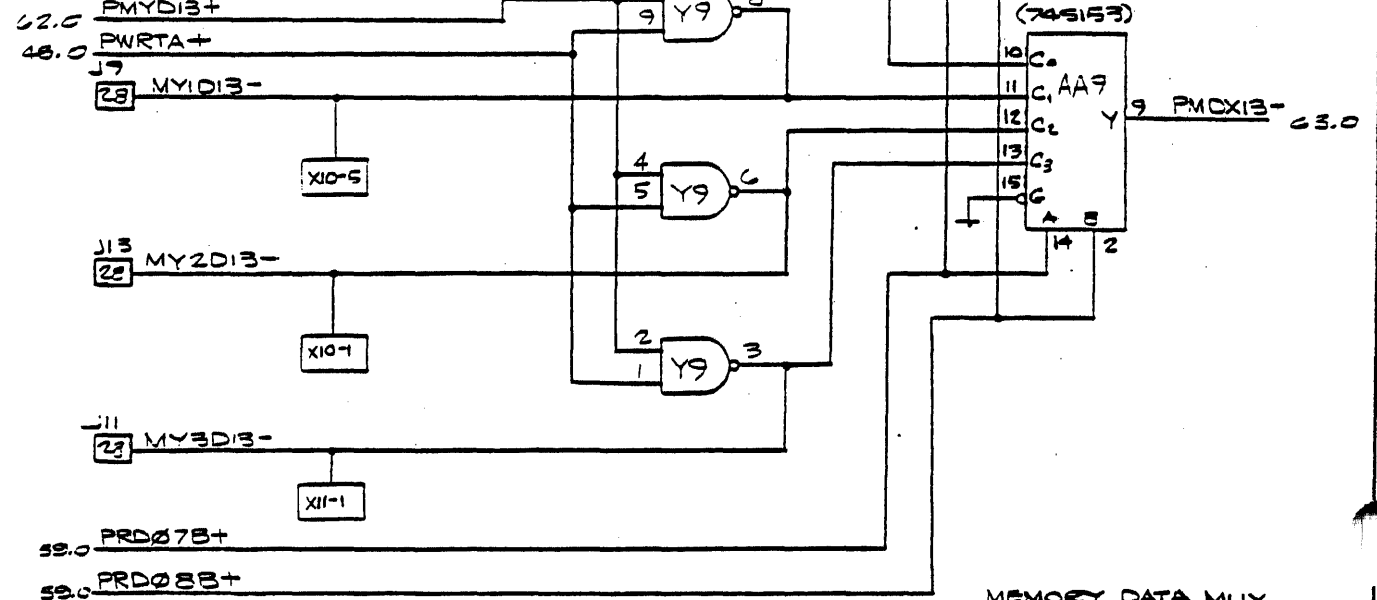
C



B



A



MEMORY DATA MUX  
BIT 12-13

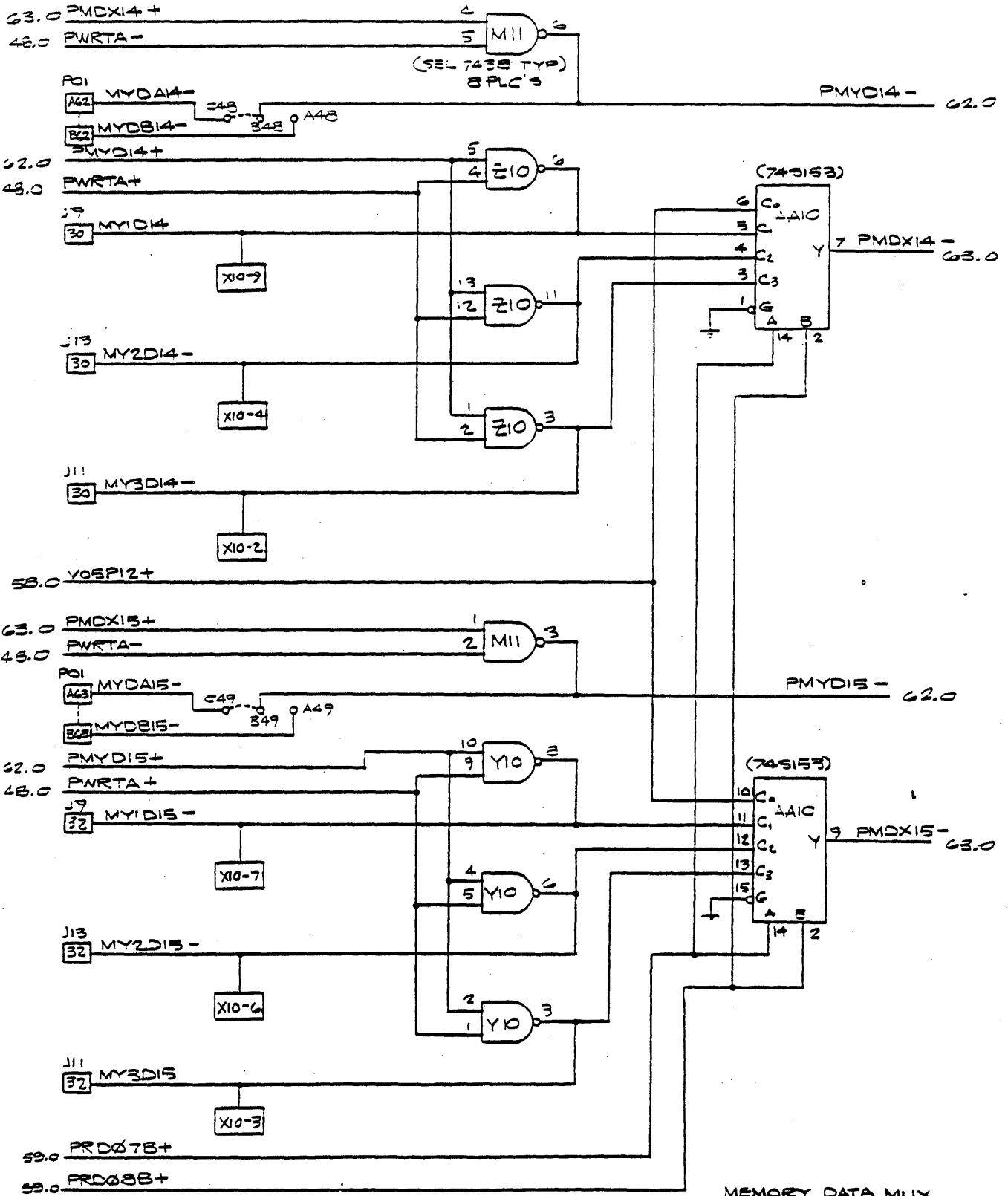
| CODE  | IDENT NO. | SIZE    | DATE NO | REV        |
|-------|-----------|---------|---------|------------|
| 21101 | C         | 91C0448 |         | K          |
| SCALE |           |         |         | SHEET 70.0 |

4

3

2

1



MEMORY DATA MUX  
BIT 14-15

|                |      |         |            |
|----------------|------|---------|------------|
| CODE IDENT NO. | SIZE | CHG NO  | REV        |
| 21101          | C    | 91C0448 | K          |
| SCALE          |      |         | SHEET 71.0 |

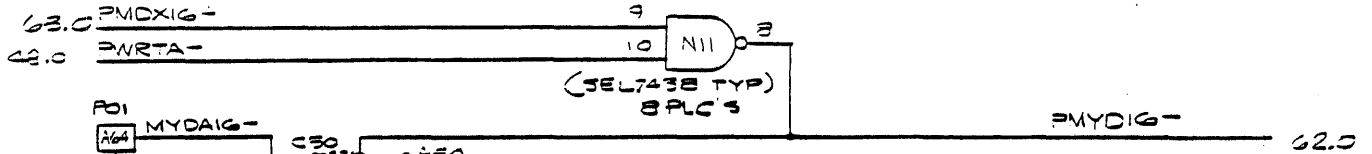
4

3

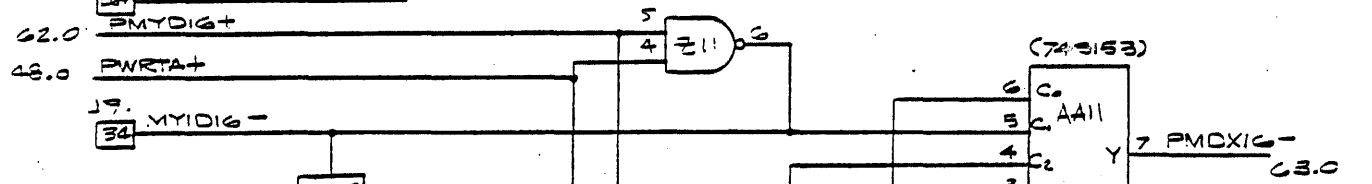
2

1

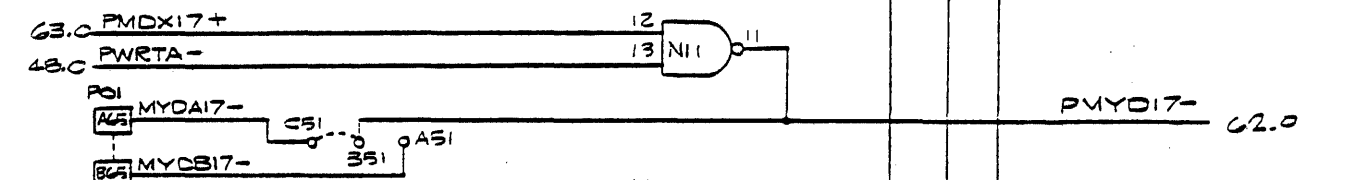
D



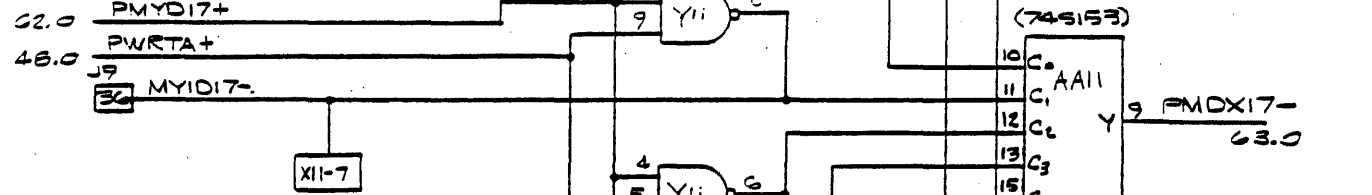
C



B



A



MEMORY DATA MUX  
BIT 16-17

|                |     |         |            |
|----------------|-----|---------|------------|
| CODE IDENT NO. | REV | DATE NO | REV        |
| 21101          | C   | 91C0448 | K          |
| SCALE          |     |         | SHEET 72.0 |

4

3

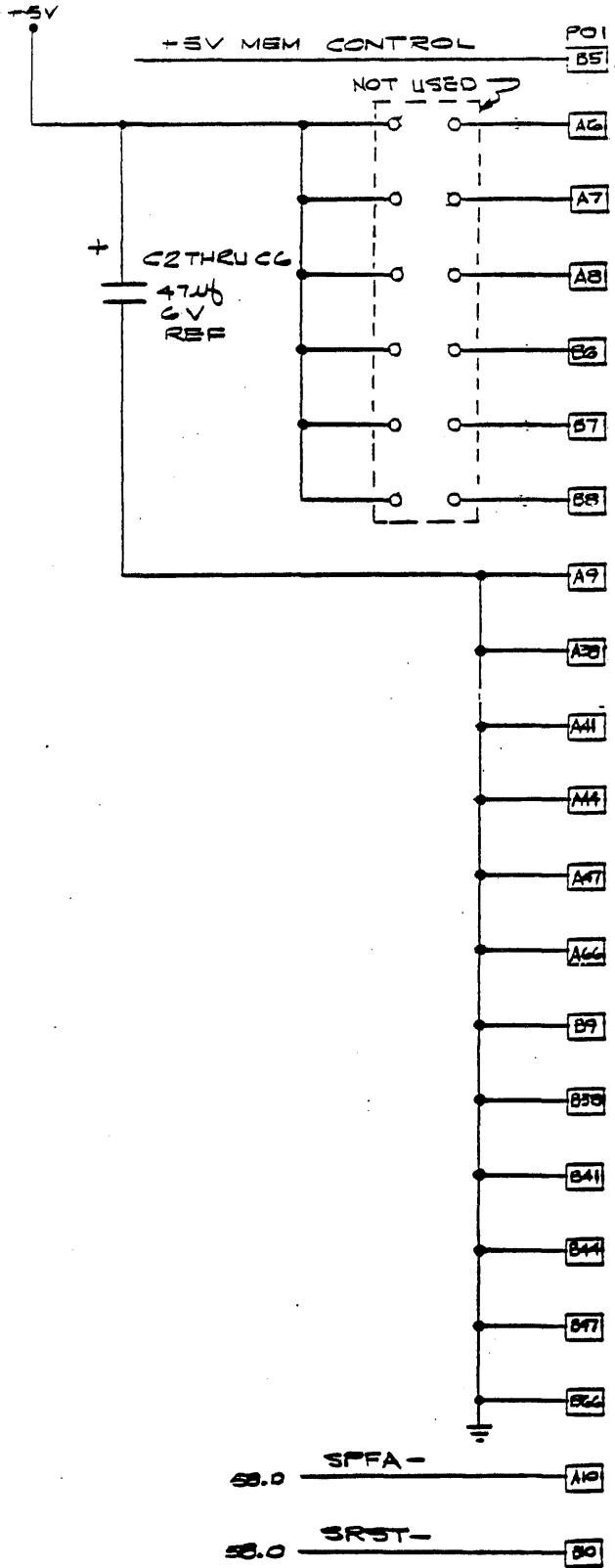
2

1

D

C

B



MEMORY BUS O.  
POWER AND GRD

|                |            |          |     |
|----------------|------------|----------|-----|
| CODE IDENT NO. | SIZE       | DATE NO. | REV |
| 21101          | C          | 910448   | K   |
| SCALE          | SHEET 73.0 |          |     |

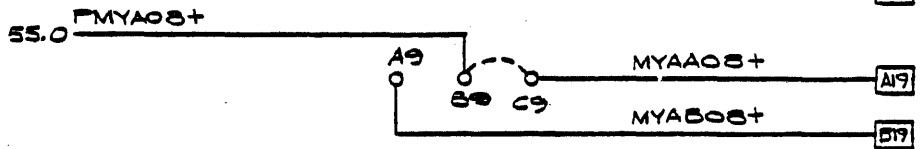
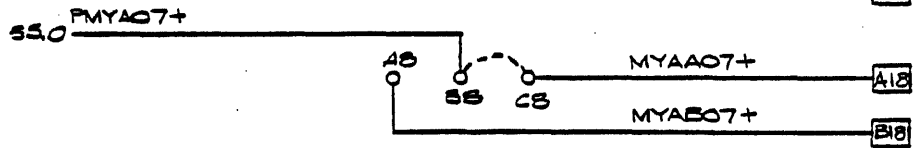
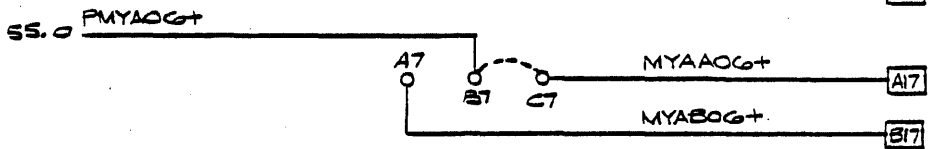
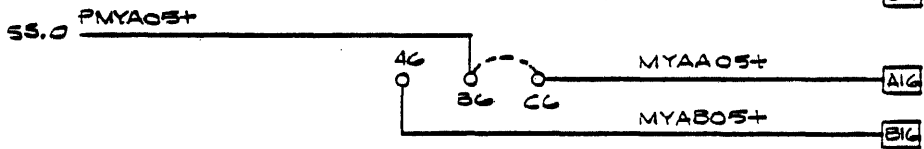
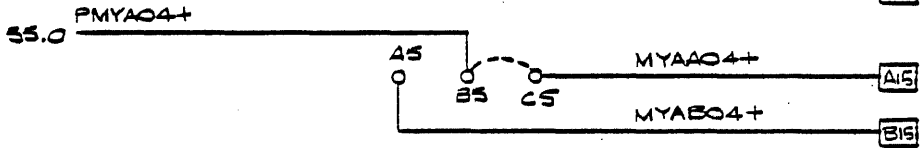
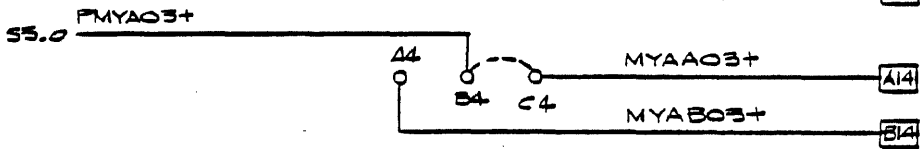
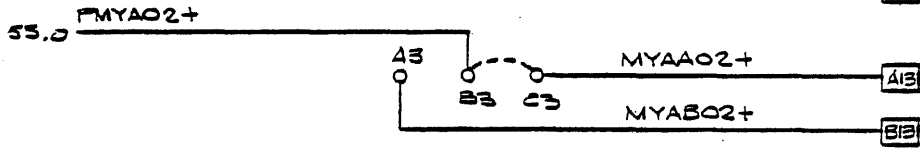
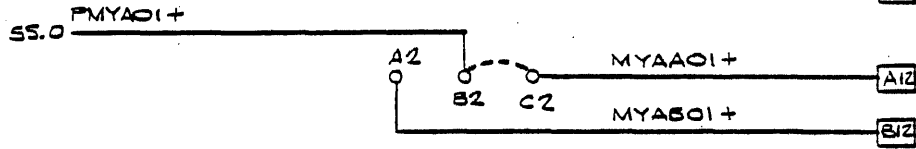
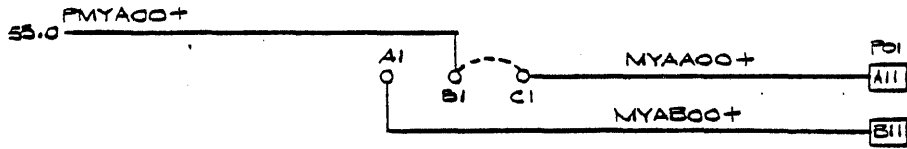
4

3

2

1

D



C

B

A

MEMORY BUS 0  
MEMORY ADDRESS 1

| CODE IDENT NO. | SIZE | DATE NO. | REV |
|----------------|------|----------|-----|
| 21101          | C    | 91C0448  | K   |

4

3

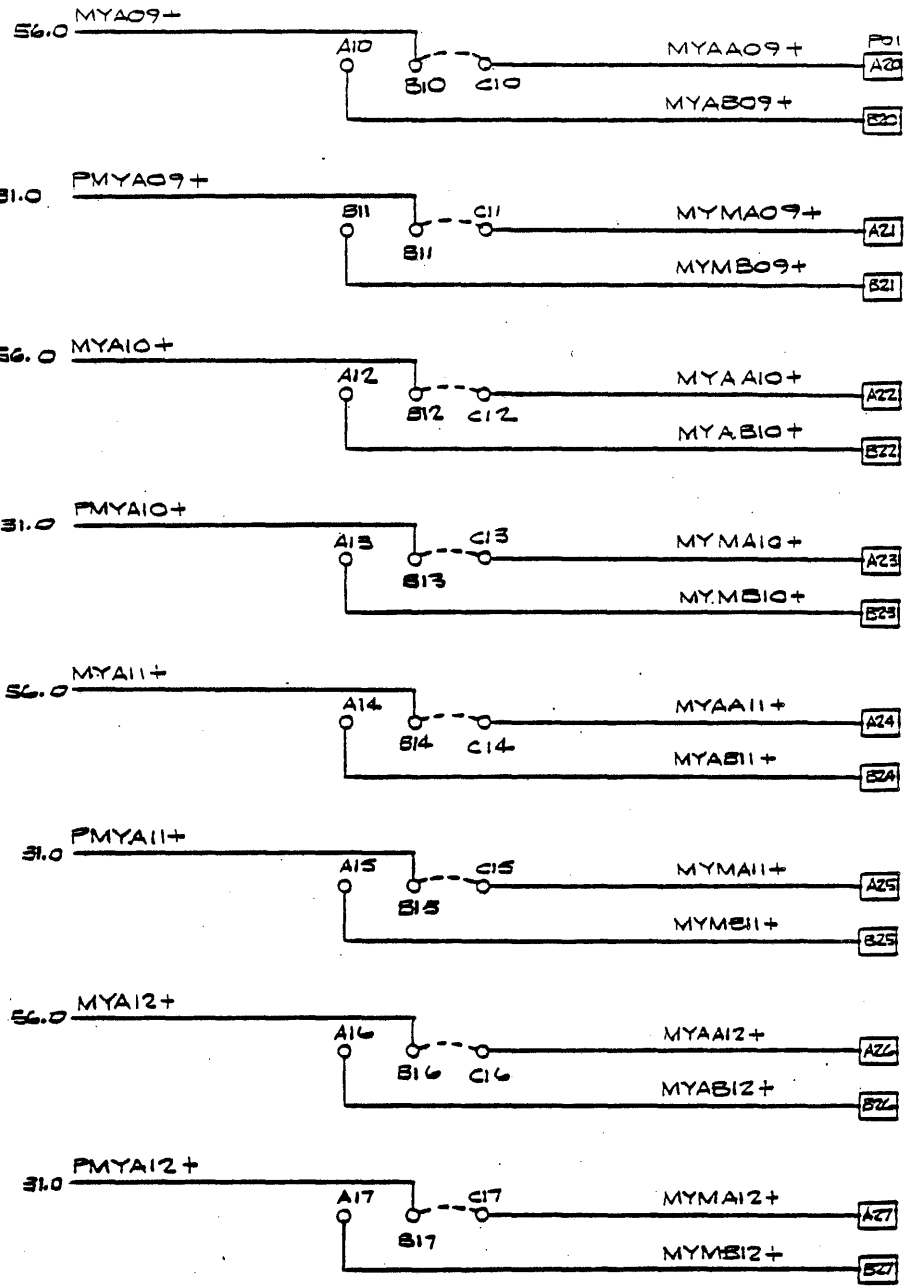
2

1

D

C

B



MEMORY BUS 0  
MEMORY ADDRESS 2

|                |            |         |     |
|----------------|------------|---------|-----|
| CODE IDENT NO. | SIZE       | DRG NO. | REV |
| 21101          | C          | 91C0448 | k   |
| SCALE          | SHEET 7560 |         |     |



4

3

2

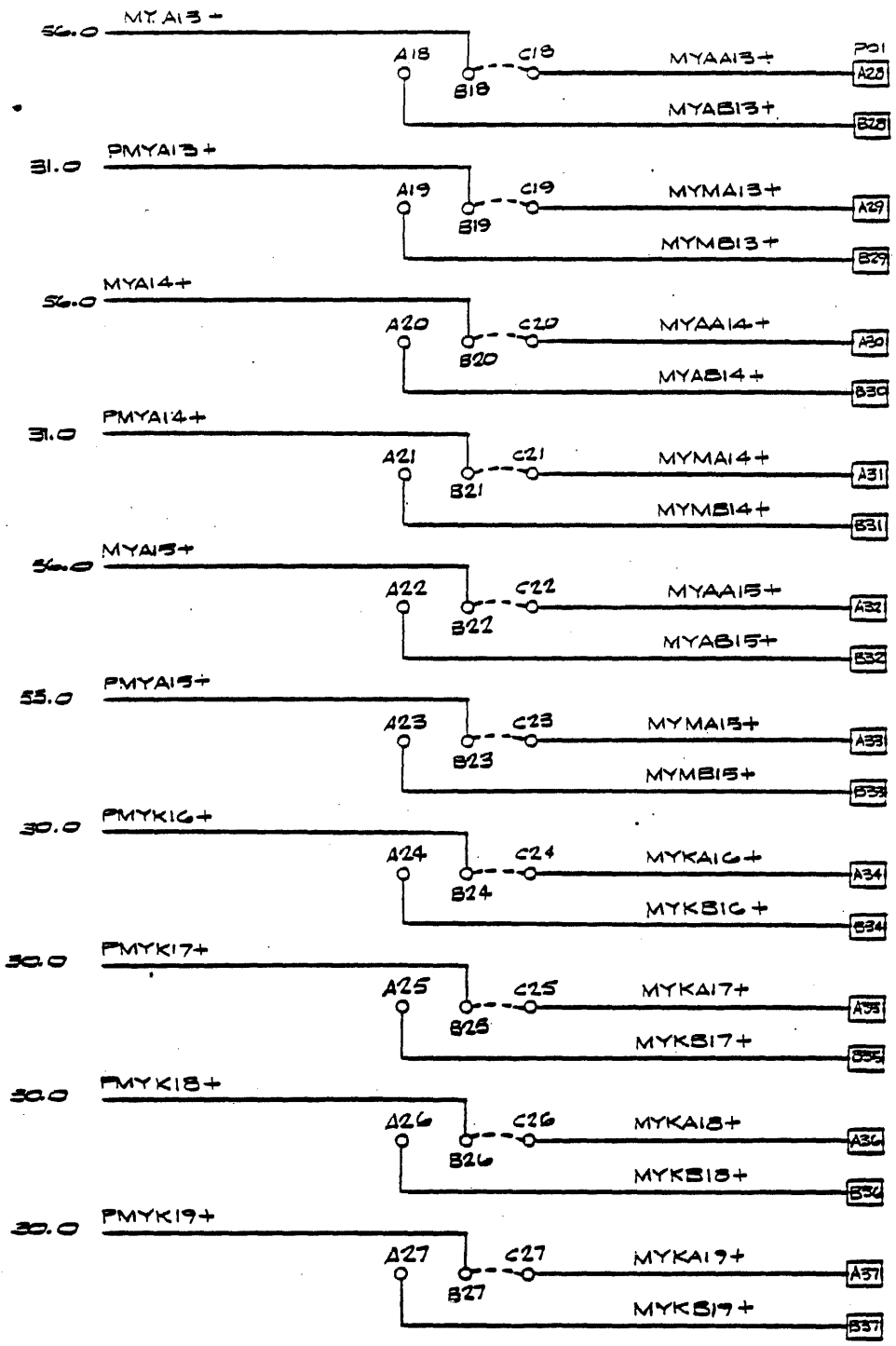
1

D

C

B

A



MEMORY BUS 0  
MEMORY ADDRESS 3

|                |            |         |      |
|----------------|------------|---------|------|
| CODE IDENT NO. | SIZE       | DWG NO. | REV. |
| 21101          | C          | 9100448 | K    |
| SCALE          | SHEET 76.0 |         |      |

4

3

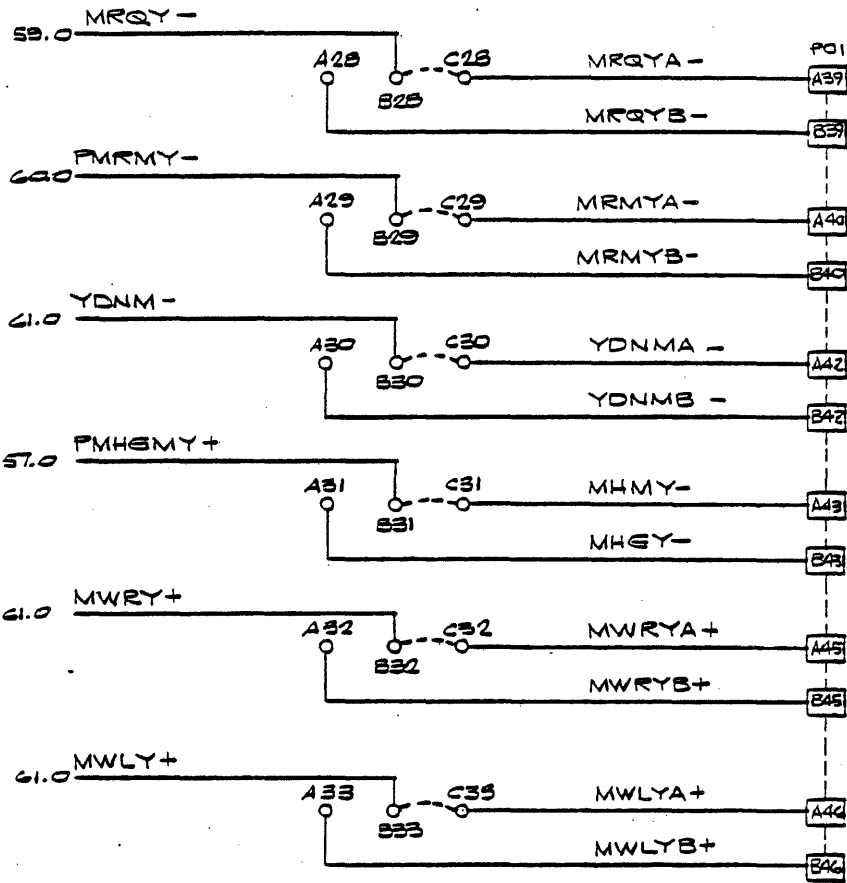
2

1

D

C

B



MEMORY BUS 0  
MEMORY CONTROL

| CODE IDENT NO. | SIZE       | DRWG NO. | REV |
|----------------|------------|----------|-----|
| 21101          | C          | 91C0448  | K   |
| SCALE          | SHEET 77.0 |          |     |

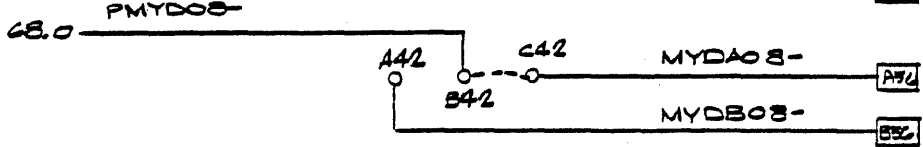
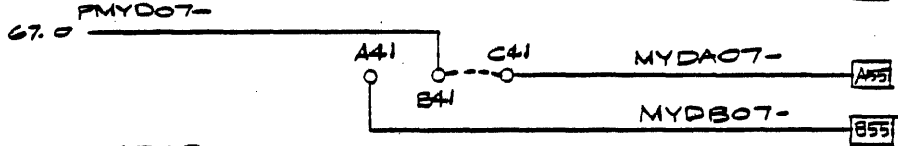
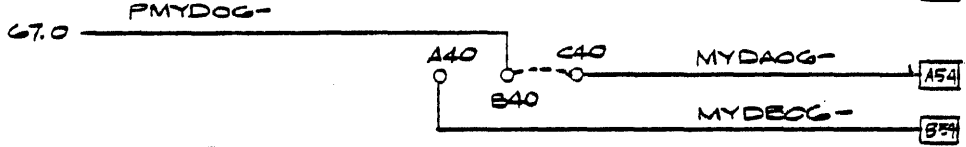
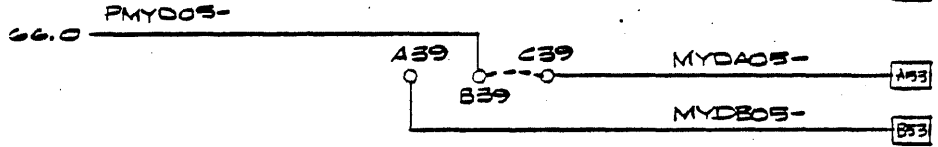
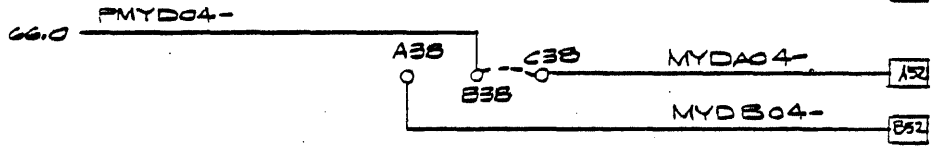
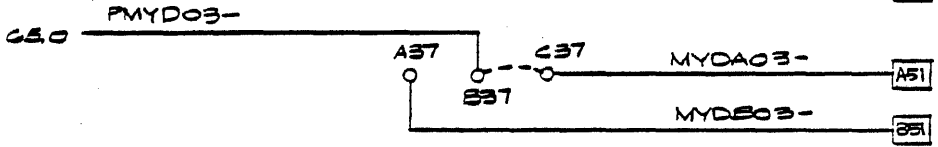
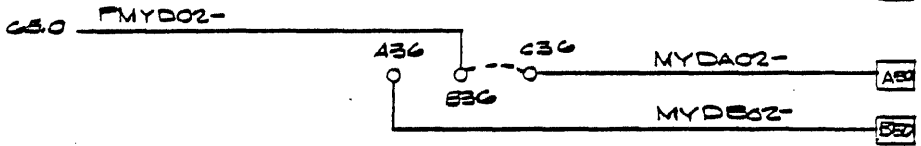
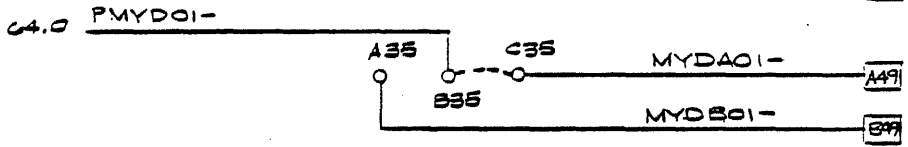
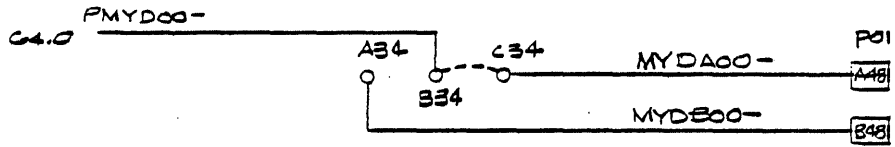
4

3

2

1

D



C

B

A

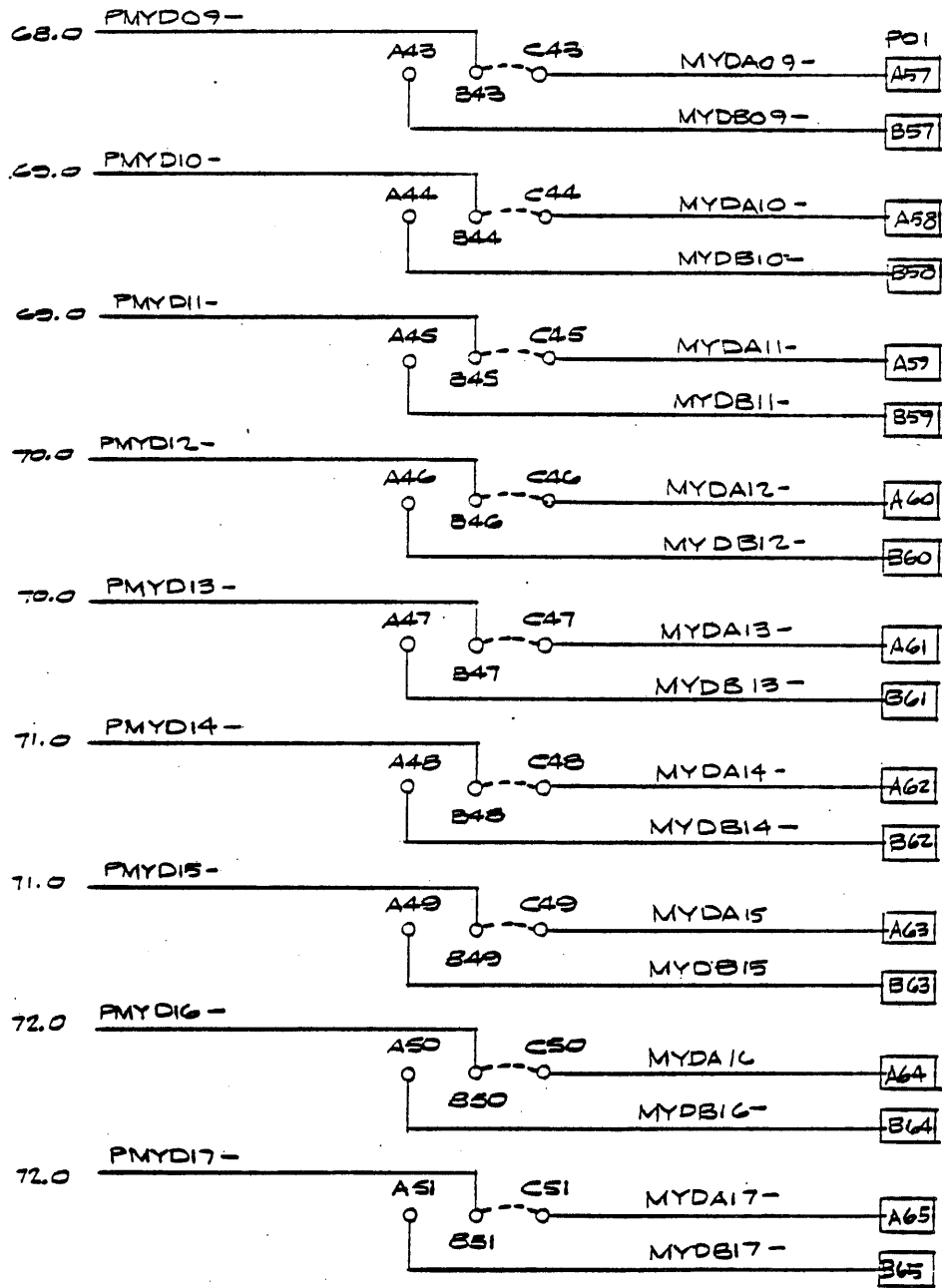
MEMORY BUS 0  
MEMORY DATA 1

| CODE IDENT NO. | SIZE | DRUM NO. | REV |
|----------------|------|----------|-----|
| 21101          | C    | 91C0448  | K   |

D

C

B



MEMORY BUS 0  
 MEMORY DATA 2

| CODE IDENT. NO. | SIZE | DATE NO. | REV.        |
|-----------------|------|----------|-------------|
| 21101           | C    | 91C0448  | K           |
| SCALE           |      |          | SHEET 79. C |

4

3

2

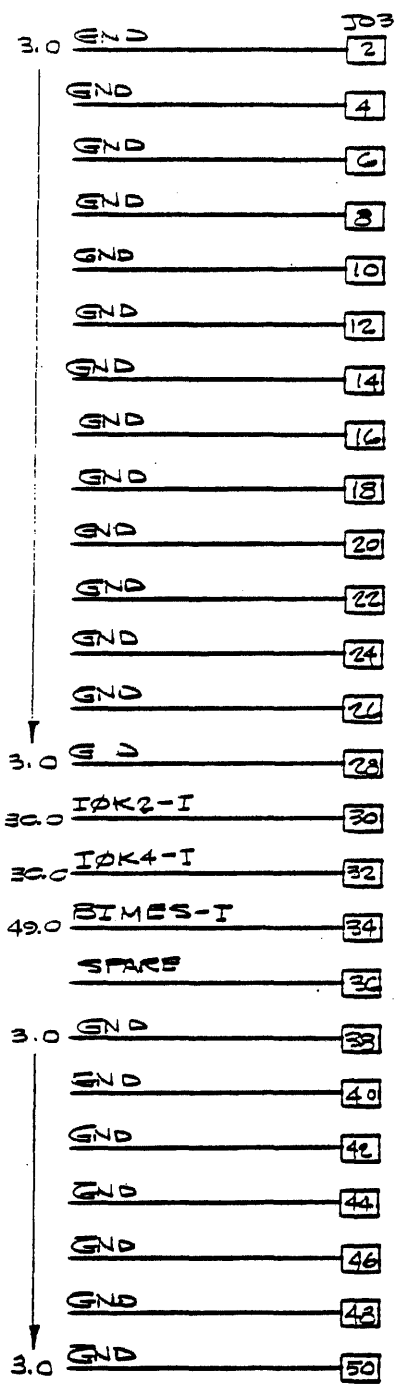
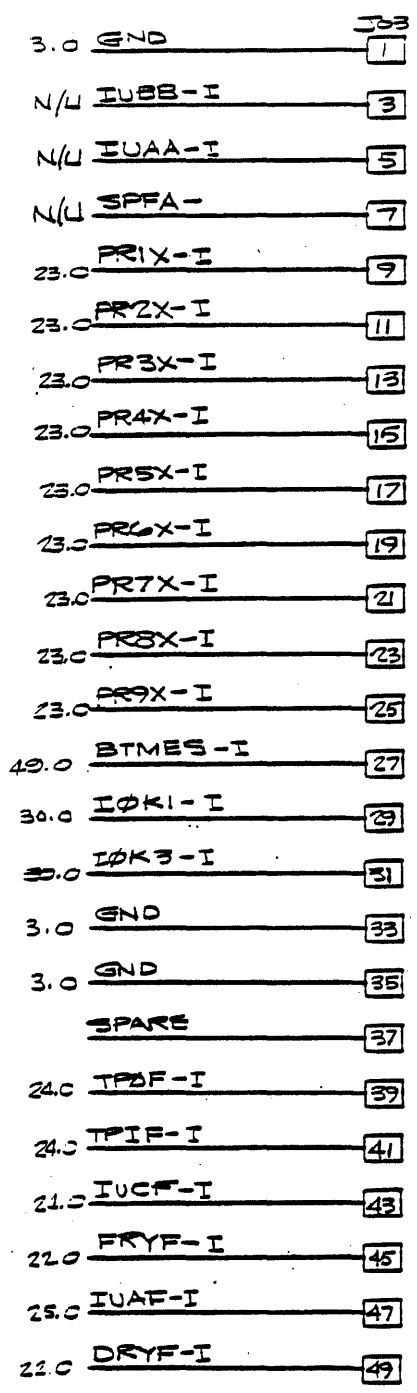
1

D

C

B

A



CONNECTOR FUNCTION

| CODE IDENT NO. | SIZE | QTY NO. | REV        |
|----------------|------|---------|------------|
| 21101          | C    | 3100443 | K          |
| SCALE          |      |         | SHEET 30.0 |

4

3

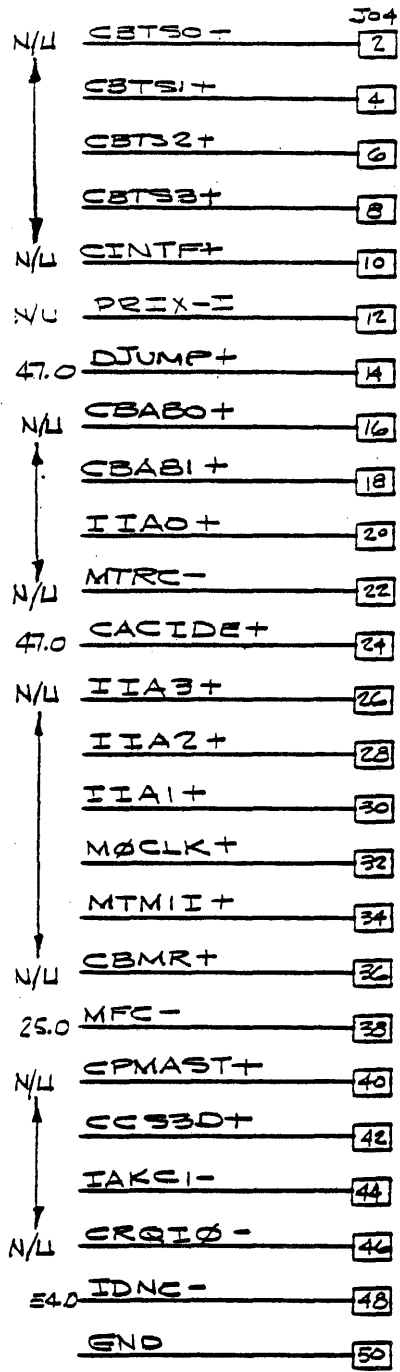
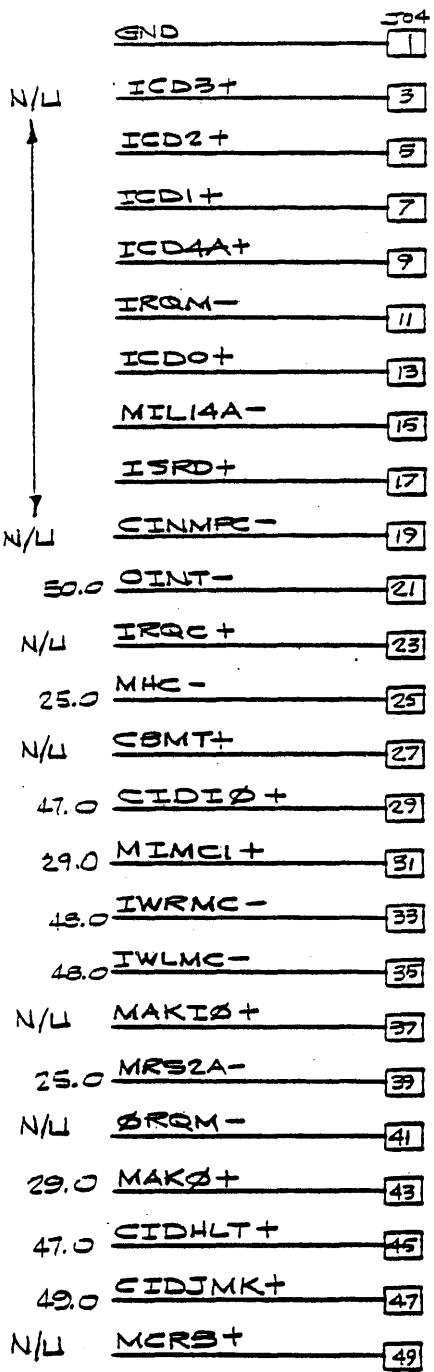
2

1

D

C

B



CONNECTOR FUNCTION

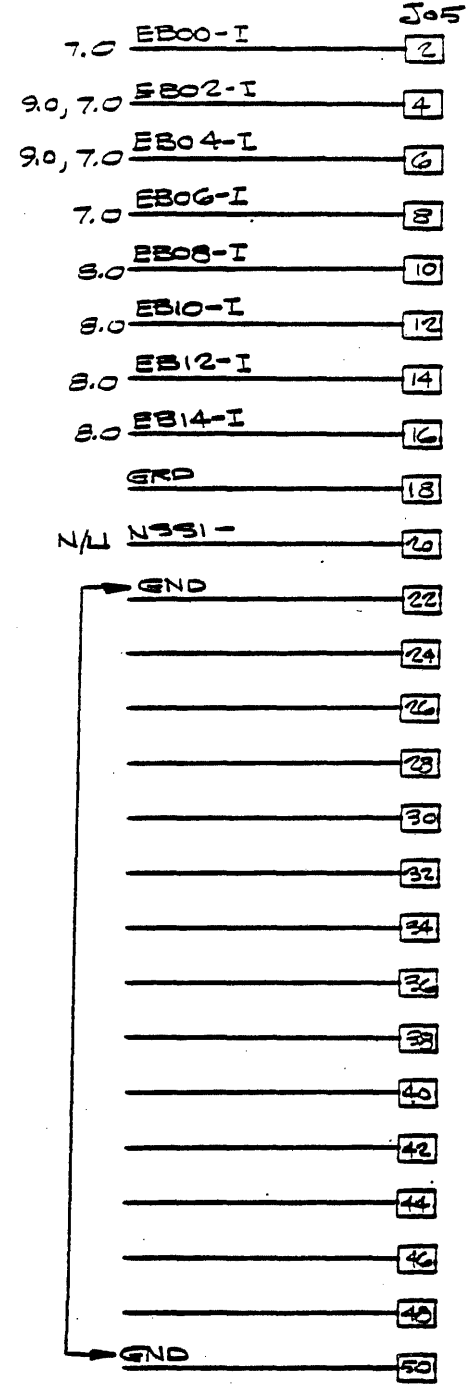
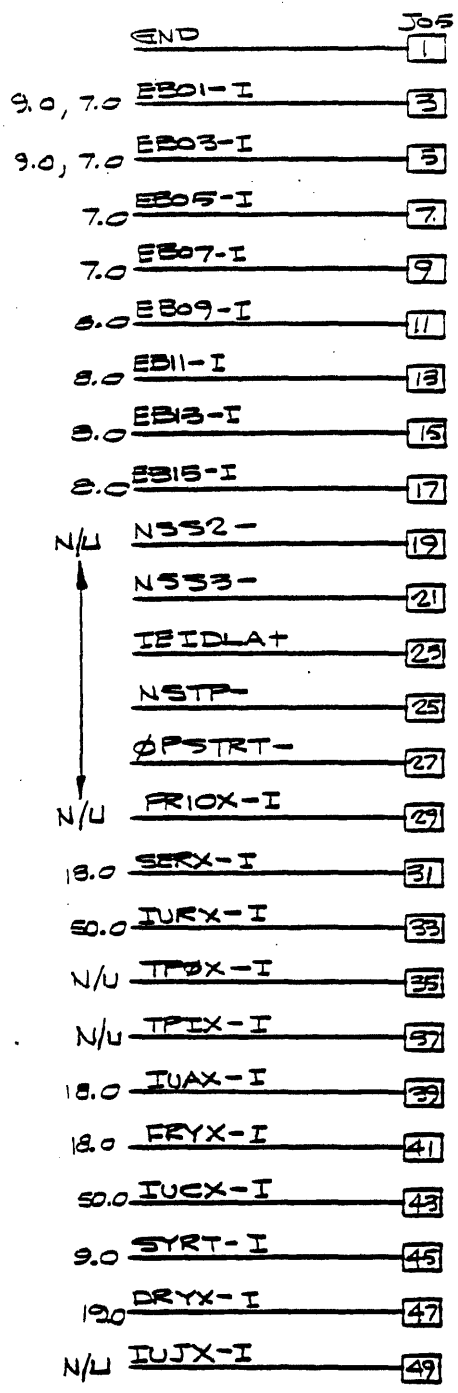
|                |      |         |            |
|----------------|------|---------|------------|
| CODE IDENT NO. | SIZE | DATE NO | REV        |
| 21101          | C    | 31C0443 | K          |
| SCALE          |      |         | SHEET 31.0 |

4

3

2

1



CONNECTOR FUNCTION

|                 |            |         |    |
|-----------------|------------|---------|----|
| CODE IDENT. NO. | REV.       | DATE    | BY |
| 21101           | C          | 310044B | K  |
| SCALE           | SHEET 32:0 |         |    |

D

C

B

|      |         |     |    |
|------|---------|-----|----|
|      | END     | JOG | 1  |
| N/L  | CPMAST+ |     | 3  |
|      | NSTP-   |     | 5  |
|      | NSS3-   |     | 7  |
|      | NSS2-   |     | 9  |
| N/L  | PRJX-I  |     | 11 |
| N/L  | MFC-    |     | 13 |
| N/L  | IR015+  |     | 15 |
|      | IR013+  |     | 17 |
|      | IR011+  |     | 19 |
|      | IR009+  |     | 21 |
|      | IR007+  |     | 23 |
|      | IR005+  |     | 25 |
|      | IR003+  |     | 27 |
| N/L  | IR001+  |     | 29 |
|      | END     |     | 31 |
| N/L  | IRA06+  |     | 33 |
|      | IRA04+  |     | 35 |
|      | IRA05+  |     | 37 |
|      | IRA00+  |     | 39 |
|      | XI0CE-  |     | 41 |
| N/L  | CIDI0+  |     | 43 |
| 50.0 | BINTE-  |     | 45 |
| 47.0 | BINI0-  |     | 47 |
| 29.0 | MIMCO+  |     | 49 |

|      |          |     |    |
|------|----------|-----|----|
| N/L  | CESK+    | JOG | 2  |
| 47.0 | CIDXX5+  |     | 4  |
| N/L  | 0INT-    |     | 6  |
| N/L  | NSSI-    |     | 8  |
| N/L  | CIDXX3+  |     | 10 |
| 53.0 | PEXMS13+ |     | 12 |
|      | END      |     | 14 |
| N/L  | IR014+   |     | 16 |
|      | IR012+   |     | 18 |
|      | IR010+   |     | 20 |
|      | IR008+   |     | 22 |
|      | IR006+   |     | 24 |
|      | IR004+   |     | 26 |
|      | IR002+   |     | 28 |
|      | IR000+   |     | 30 |
|      | IRA07+   |     | 32 |
|      | IRA01+   |     | 34 |
|      | IRA03+   |     | 36 |
| N/L  | IRA02+   |     | 38 |
|      | END      |     | 40 |
| 47.0 | CID00+   |     | 42 |
| N/L  | IINH0-   |     | 44 |
| 48.0 | AREAD-   |     | 46 |
| 30.0 | MIRAB+   |     | 48 |
|      | END      |     | 50 |

CONNECTOR FUNCTION

|                |      |            |     |
|----------------|------|------------|-----|
| CODE IDENT NO. | SIZE | DRWG NO.   | REV |
| 21101          | C    | 3 00448    | K   |
| FORM           |      | SHEET 03:0 |     |



4

3

2

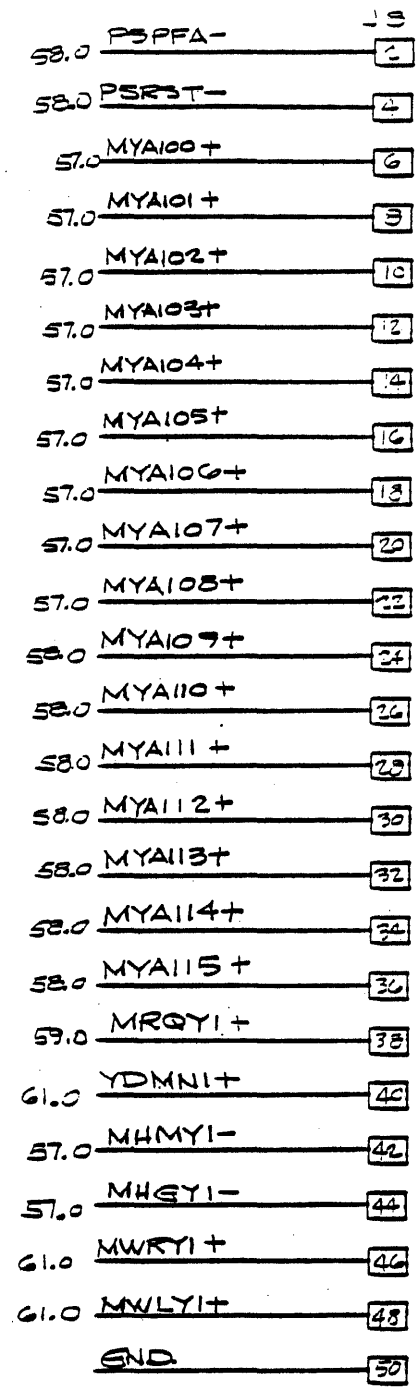
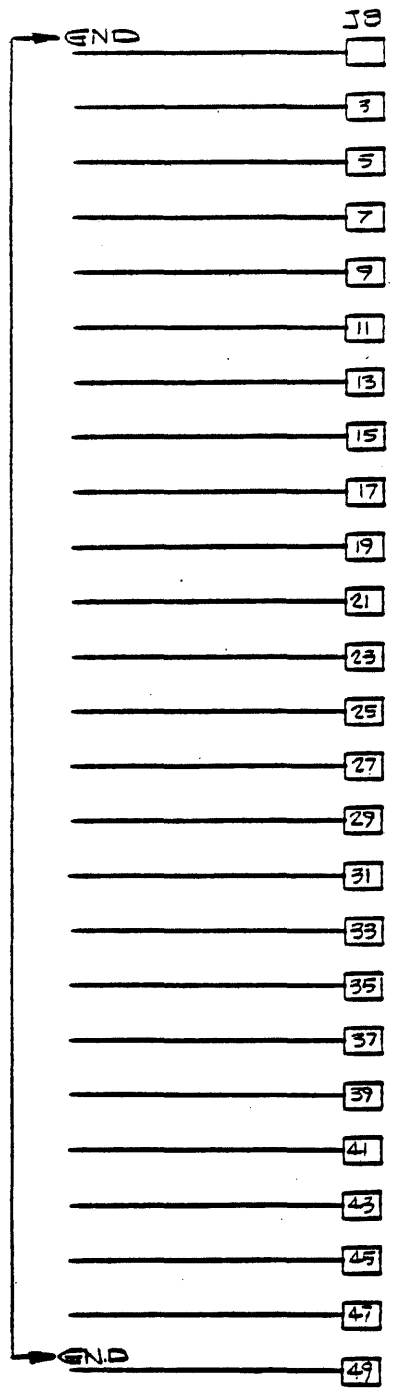
1

D

C

B

A



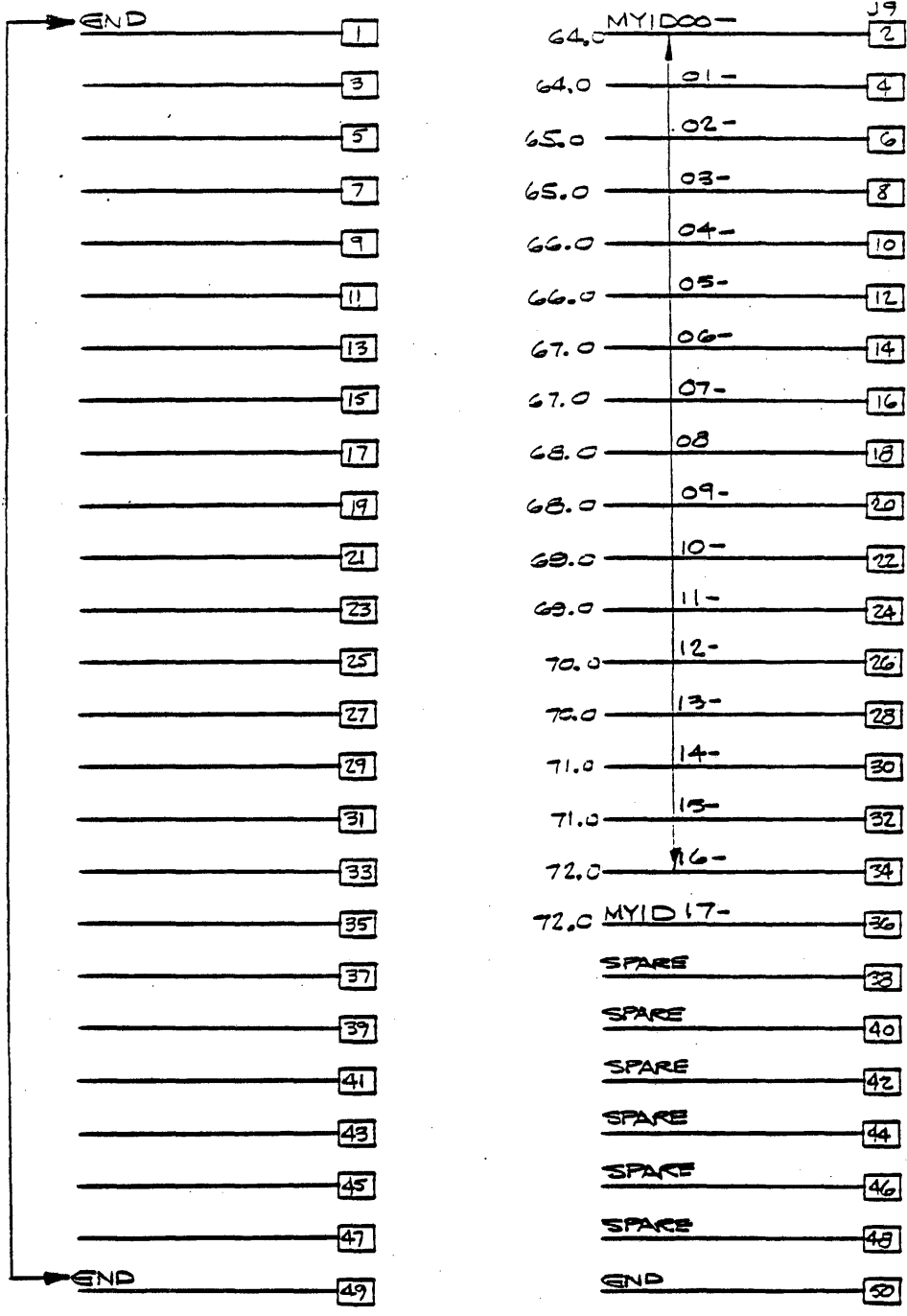
MEMORY BUS 1  
INTERFACE 1

|                |     |         |            |
|----------------|-----|---------|------------|
| CODE IDENT NO. | REV | DATE    | REV        |
| 21101          | C   | 3-00443 | K          |
| SCALE          |     |         | SHEET 24.0 |

D

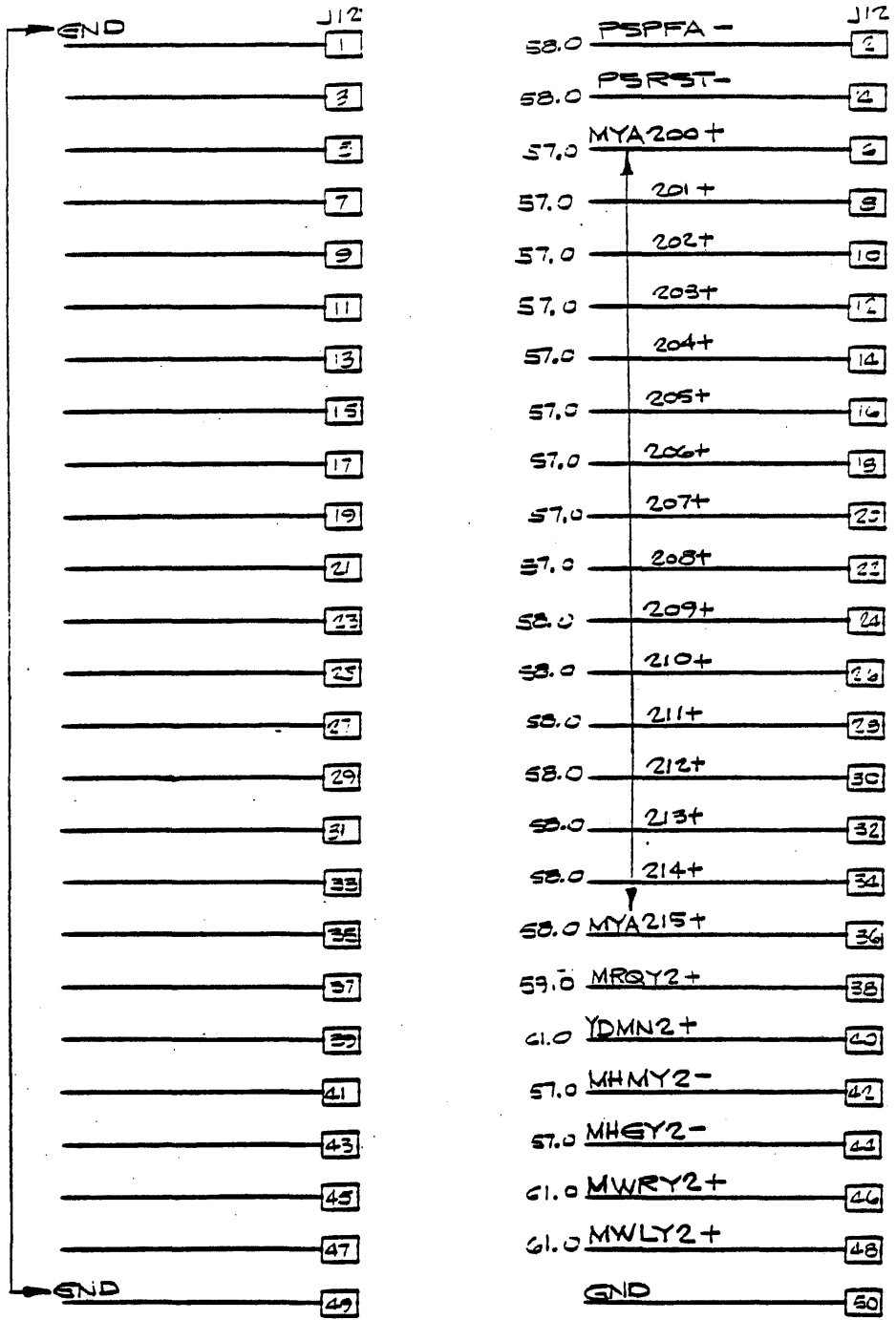
C

B



MEMORY BUS 1  
INTERFACE 2

|                |            |         |     |
|----------------|------------|---------|-----|
| CODE IDENT NO. | REV        | DATE    | REV |
| 21101          | C          | 3100443 | K   |
| SCALE          | SHEET 35.0 |         |     |



MEMORY BUS 2  
INTERFACE 1

| CODE IDENT NO. | REV        | DATE REV | REV |
|----------------|------------|----------|-----|
| 21101          | C          | 31C0448  | K   |
| SCALE          | SHEET 06.0 |          |     |

4

3

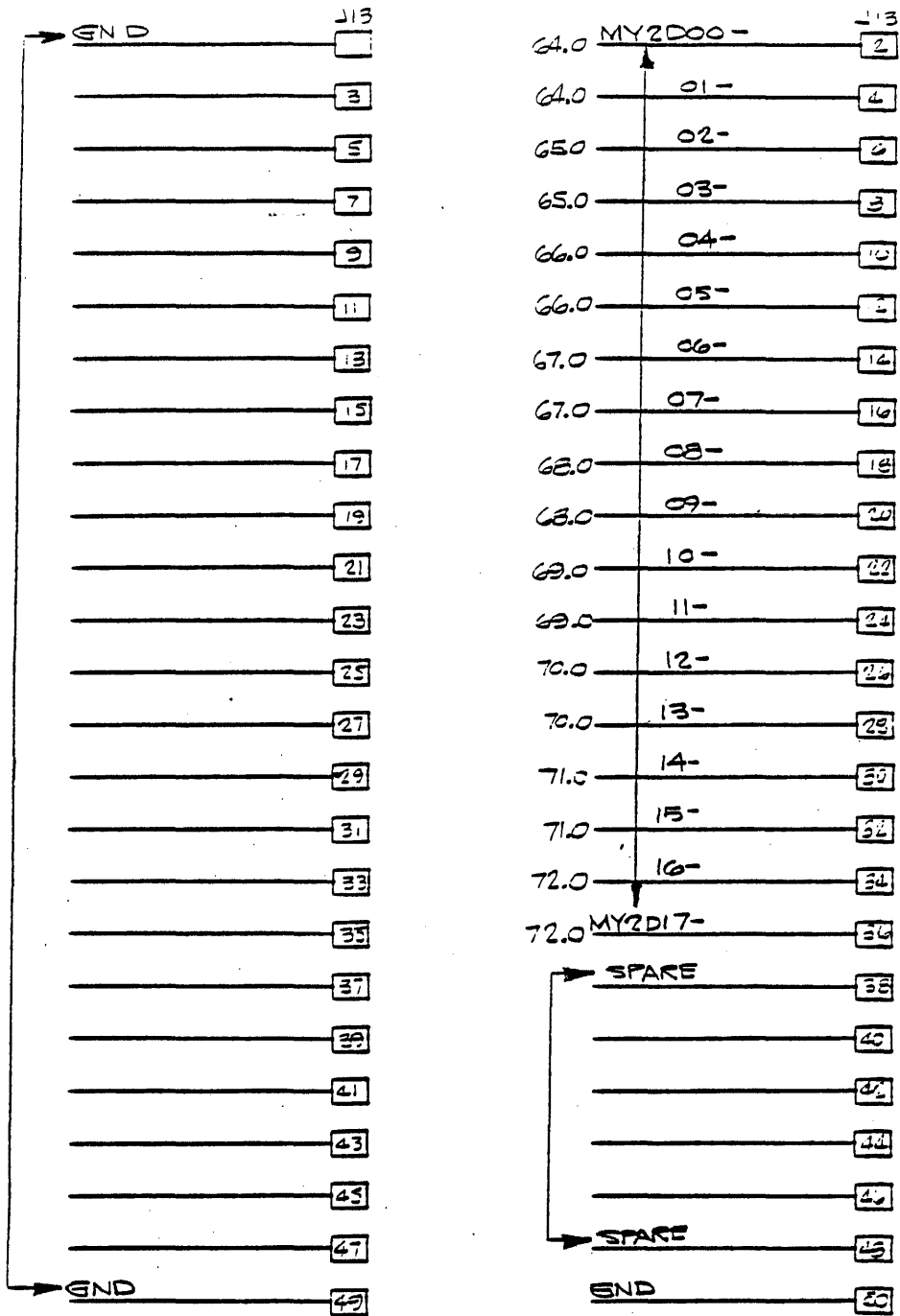
2

1

D

C

B



MEMORY BUS 2  
INTERFACE 2

| CODE IDENT NO. | SIZE | ORIG NO  | REV        |
|----------------|------|----------|------------|
| 21101          | C    | 3. COLLA | K          |
| SCALE          |      |          | SHEET 37.0 |

4

3

2

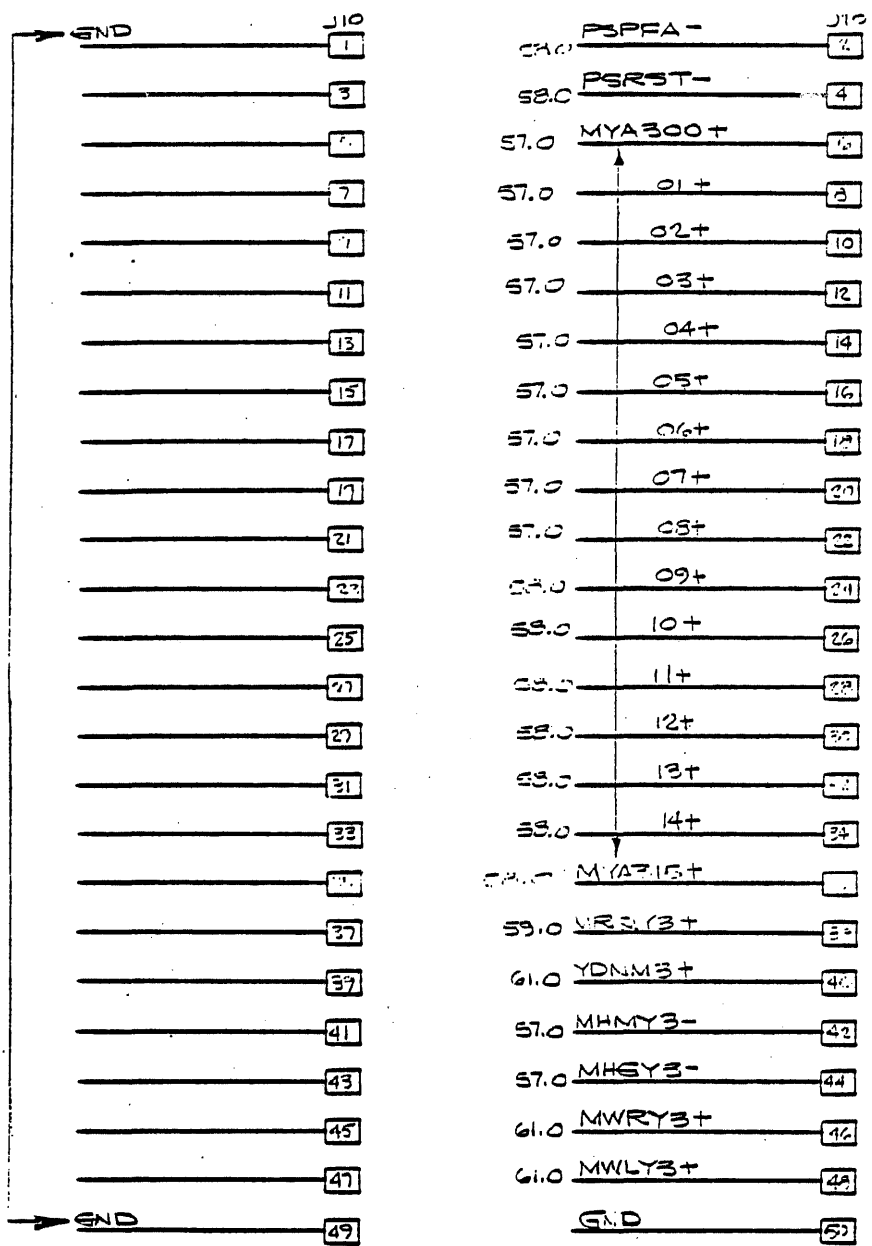
1

D

C

B

A



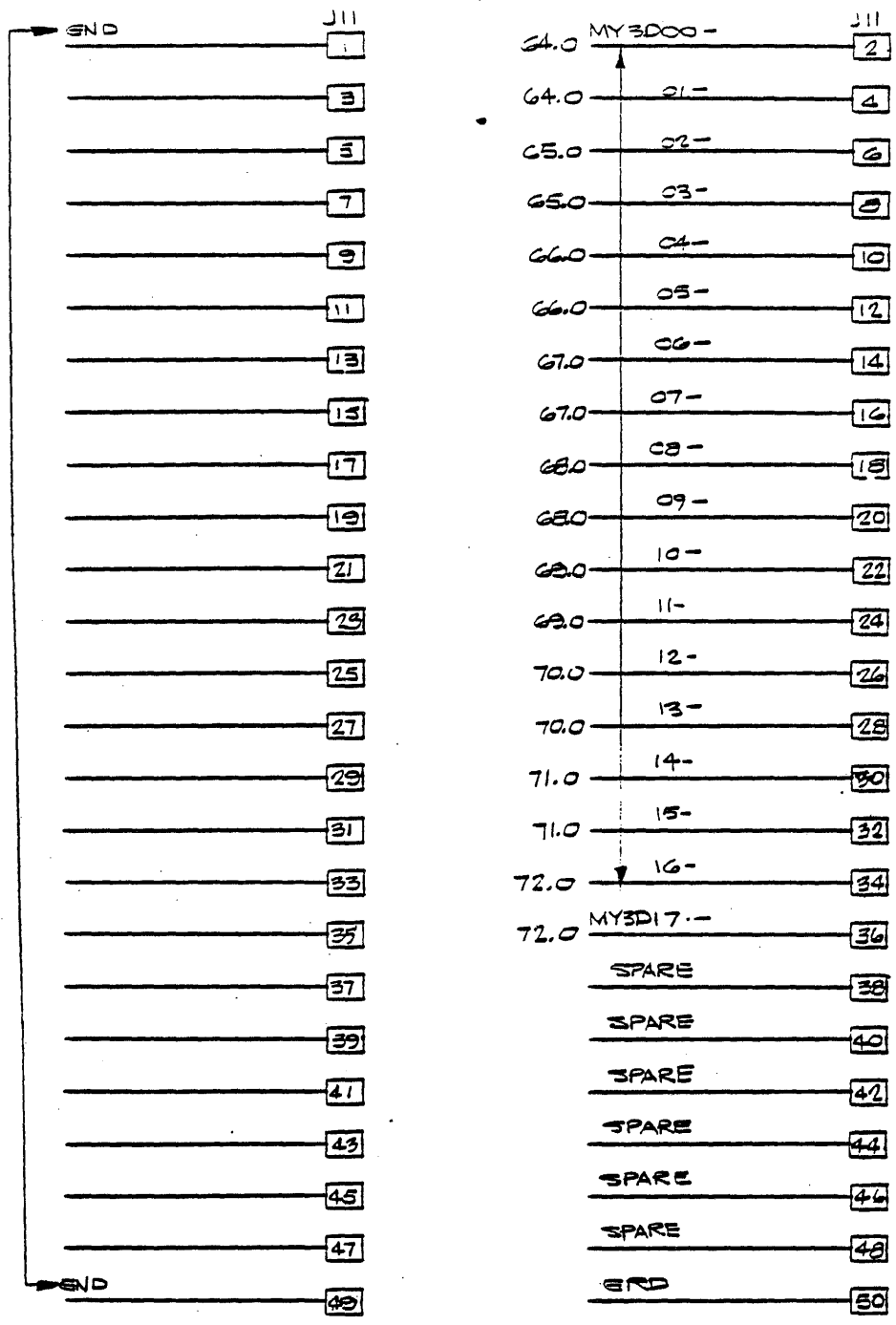
MEMORY BUS 2  
INTERFACE 1

| CODE IDENT NO. | SIZE      | QWS NO. | REV   |
|----------------|-----------|---------|-------|
| 21101          | C         | 3       | 00445 |
| SCALE          | SHEET 220 |         |       |

D

C

B



MEMORY BUS 3  
INTERFACE 2

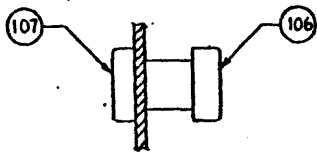
| CODE IDENT NO. | SIZE | DRWG NO | REV  |
|----------------|------|---------|------|
| 21101          | C    | 91C0445 | K    |
| SCALE          |      | SHEET   | 89.0 |

# WIRE LIST

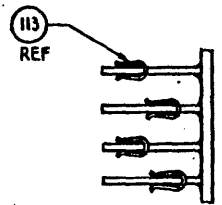
| IDENTIFICATION NO. | SIGNAL | TERMINATION |      | TERMINATION |      | WIRE  |     |     |
|--------------------|--------|-------------|------|-------------|------|-------|-----|-----|
|                    |        | FROM        | F/N  | TO          | F/N  | COLOR | AWG | F/N |
| 1                  | JUMPER | E91         | 108  | E52         | 108  | WHT   | 30  | 136 |
| 2                  |        | E92         |      | E53         |      |       |     |     |
| 3                  |        | E95         |      | E110        |      |       |     |     |
| 4                  |        | E54         |      | E109        |      |       |     |     |
| 5                  |        | E110        | 108  | E109        | 108  |       |     | 136 |
| 6                  |        | A7-4        | S.C. | A7-7        | S.C. |       |     | 133 |
| 7                  |        | S5-6        |      | S5-7        |      |       |     |     |
| 8                  |        | S5-7        |      | S5-8        |      |       |     |     |
| 9                  |        | T5-7        |      | T5-8        |      |       |     |     |
| 10                 |        | Z4-7        |      | Z4-8        |      |       |     |     |
| 11                 | JUMPER | F6-7        | S.C. | F6-11       | S.C. | WHT   | 30  | 133 |
| 12                 | JUMPER | E-13        | 108  | E-18        | 108  | WHT   | 30  | 136 |
| 13                 | JUMPER | A-24        | 108  | B-51        | 108  | WHT   | 30  | 136 |



| REVISIONS |           |   |    |      |
|-----------|-----------|---|----|------|
| REV       | EN/DATE   | CHG/DESCRIPTION   | DR | APPD |
| AY        | 8548-1    | 1 REVISED AND REDRAWN   | MT |      |
| AZ        | 85659     | 2 REVISED LOC. OF JUMPER CLIPS - ADDED V/L  | MT |      |
| BA        | 85694     | 2 REVISED   | MT |      |
| BB        | 87224     | SHT 1, ADDED NOTE 9. ADDED TO W/L NO'S 12 & 13. REV TAB. BLOCK SHT 3 F/N 108 WAS 245 PLC'S SHT 3 & 4 REV LOC OF JUMPER CLIPS. |    | Rm   |
| BC        | 87799-02  | C ADDED SWITCH TO LOCATION T9 ON SH'S 2.0 THRU 8.0  | TN |      |
| BC        | 87957-02  | RELEASED TO API   | TN |      |
| DH        | 894235-01 | REVISED SOCKET AT ZN A.2 ON SH'S 2.0 THRU 5.0 & 8.0 UPDATED FORMAT, DOCUMENT NO. WAS: 44C0619                                 | TN |      |



SECTION A-A



DETAIL 13  
TYPICAL JUMPER CLIP CONFIGURATION

| TABULATION BLOCK |  |
|------------------|--|
| PART NO.         | REMARKS (OPTIONS INCLUDED)   |
| W4400619-00      | COMMON LOGIC, I/O, RTC, TTY/CRT, PFR                               |
| W4400619-01      | COMMON LOGIC, I/O, RTC, TTY/CRT, PFR, MEM PARITY, MEM PROTECT      |
| W4400619-02      | COMMON LOGIC, I/O, RTC, TTY/CRT, PFR, MEM PARITY, MEM PROTECT, PMA |
| W4400619-03      | COMMON LOGIC, I/O, RTC, TTY/CRT, PFR, MEM PARITY, PMA              |
| W4400619-04      | COMMON LOGIC, I/O, RTC, CRT, PFR, MEM PARITY, MEM PROTECT          |
| W4400619-05      | COMMON LOGIC, I/O, RTC, CRT, PFR, MEM PARITY, MEM PROTECT, PMA     |
| W4400619-06      | I/O ONLY   |
| W4400619-07      | COMMON LOGIC, I/O, MEM PARITY                                      |
| W4400619-08      | COMMON LOGIC, I/O, RTC, TTY/CRT, PFR, MEM PARITY                   |

W4400619  
DH

| REFERENCE DRAWINGS |               |
|--------------------|---------------|
| W4000528           | R/W. BOARD    |
| W9100401           | LOGIC DIAGRAM |
| W9700759           | ARTWORK       |
| W9700760           | SILKSCREEN    |
| W9700764           | SOLDER MASK   |

10. FIND NUMBERS FOR PARTS, IDENTIFIED BY REFERENCE DESIGNATIONS, APPEAR IN PART LIST
- △ 9 FOR W4400619-00 THRU -05 & -08
  - 8. S.C. = SOLDER CONNECTION
  - △ 7 FOR W4400619-07 ONLY
  - △ 6 FOR W4400619-00 THRU -05, -07 & -08
  - △ 5 FOR W4400619-04 AND -05 MODIFY W4400619-01 AND -02 PER OPTION BOARD MOD KIT W0101653) F/N 130.
  - △ 4 HARDWARE SUPPLIED WITH F/N 110
  - 3. DASH NO. IN I.C.'S INDICATE FIND NO. IN PARTS LIST.
  - 2. INSTALL HARDWARE IN ACCORDANCE WITH (502)
  - △ 1 IDENTIFY PER (501)

NOTE: UNLESS OTHERWISE SPECIFIED

PART NUMBER, SEE TABULATION

FOR MATL REQUIREMENTS SEE PL PL REV LETTER CONTROLS DOCUMENT.

|                    |  |
|--------------------|--|
| MODEL NO. V73      | DIMENSIONS ARE IN INCHES AND AFTER FINISHING |
| NEXT ASSY W0101332 | TOLERANCES UNLESS OTHERWISE SPECIFIED        |
| MATERIAL           | X ± .1                                       |
|                    | XX ± .03                                     |
|                    | XXX ± .010                                   |
|                    | ANGLES ± 0.5°                                |
| FINISH             | BREAK ALL SHARP EDGES .010 R APPROX          |
|                    | DO NOT SCALE DRAWING                         |

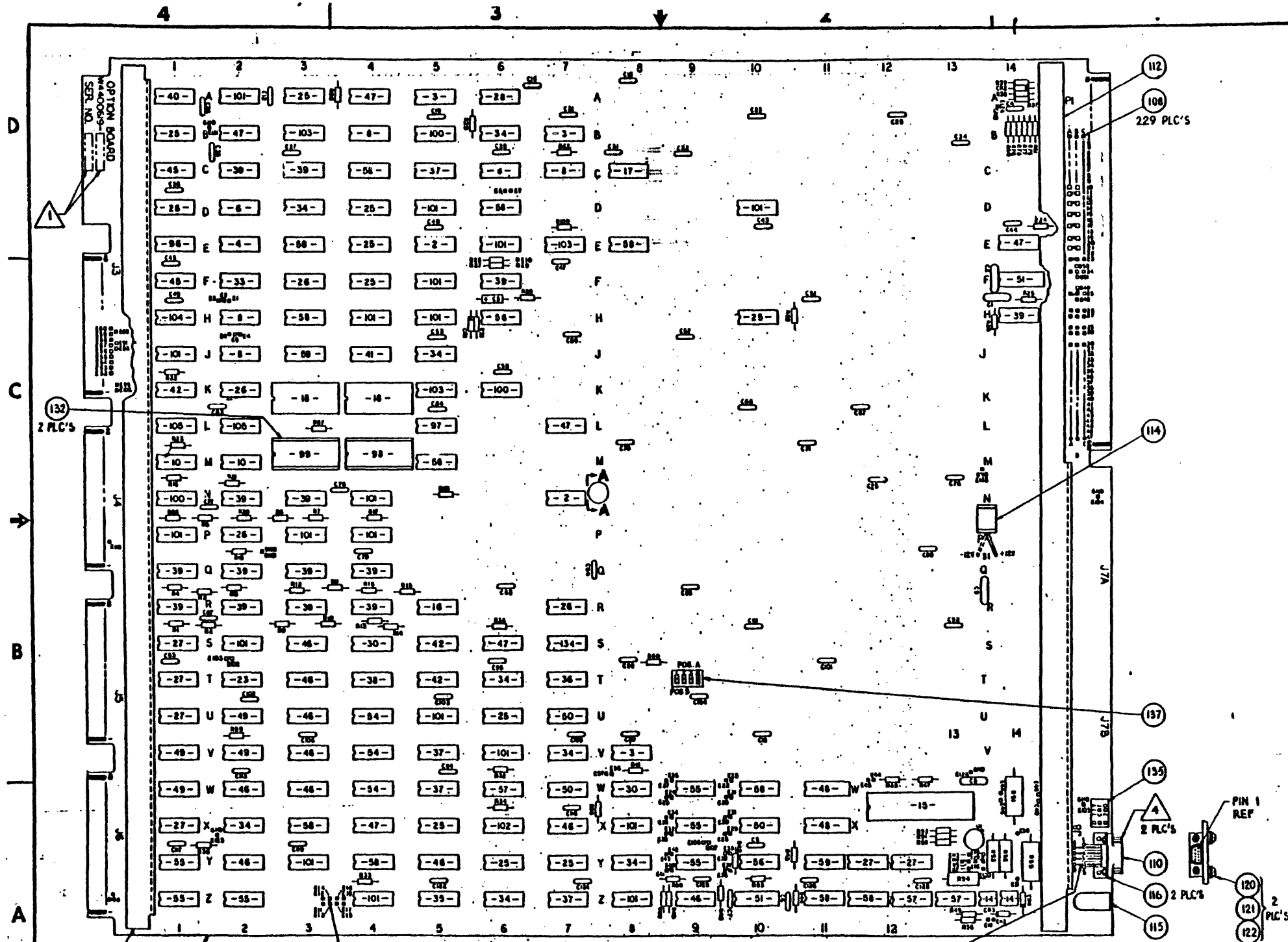
|                  |         |
|------------------|---------|
| DR W.G.          | 7.25.72 |
| CHK B. B.        | 7.26.72 |
| DSGN W. G.       | 7.25.72 |
| ENGR A. WHITCOMB | 8.2.72  |
| APPD A. WHITCOMB | 8.2.72  |
| APPD             |         |

**SPERRY UNIVAC**

TITLE  
**PC ASSEMBLY  
OPTION BD DM 357**

|                |      |          |     |
|----------------|------|----------|-----|
| CODE IDENT NO. | SIZE | DWG NO   | REV |
| 21101          | C    | W4400619 | DH  |

SCALE \_\_\_\_\_ SHEET 1 OF 8



W4400619-00 ASSY

|                            |      |          |              |
|----------------------------|------|----------|--------------|
| CODE IDENT NO.             | SIZE | DWG NO   | REV          |
| 21101                      | C    | W4400619 | DH1          |
| SLEEVE LEADS 6 THRU 9 ONLY |      | SCALE    | SHEET 2 OF 6 |

(132)  
2 PLC'S

(112)  
(108)  
229 PLC'S

(114)

(137)

(135)

(110)  
2 PLC'S

(116)  
2 PLC'S

(115)

PIN 1 REF

(120)  
2 PLC'S

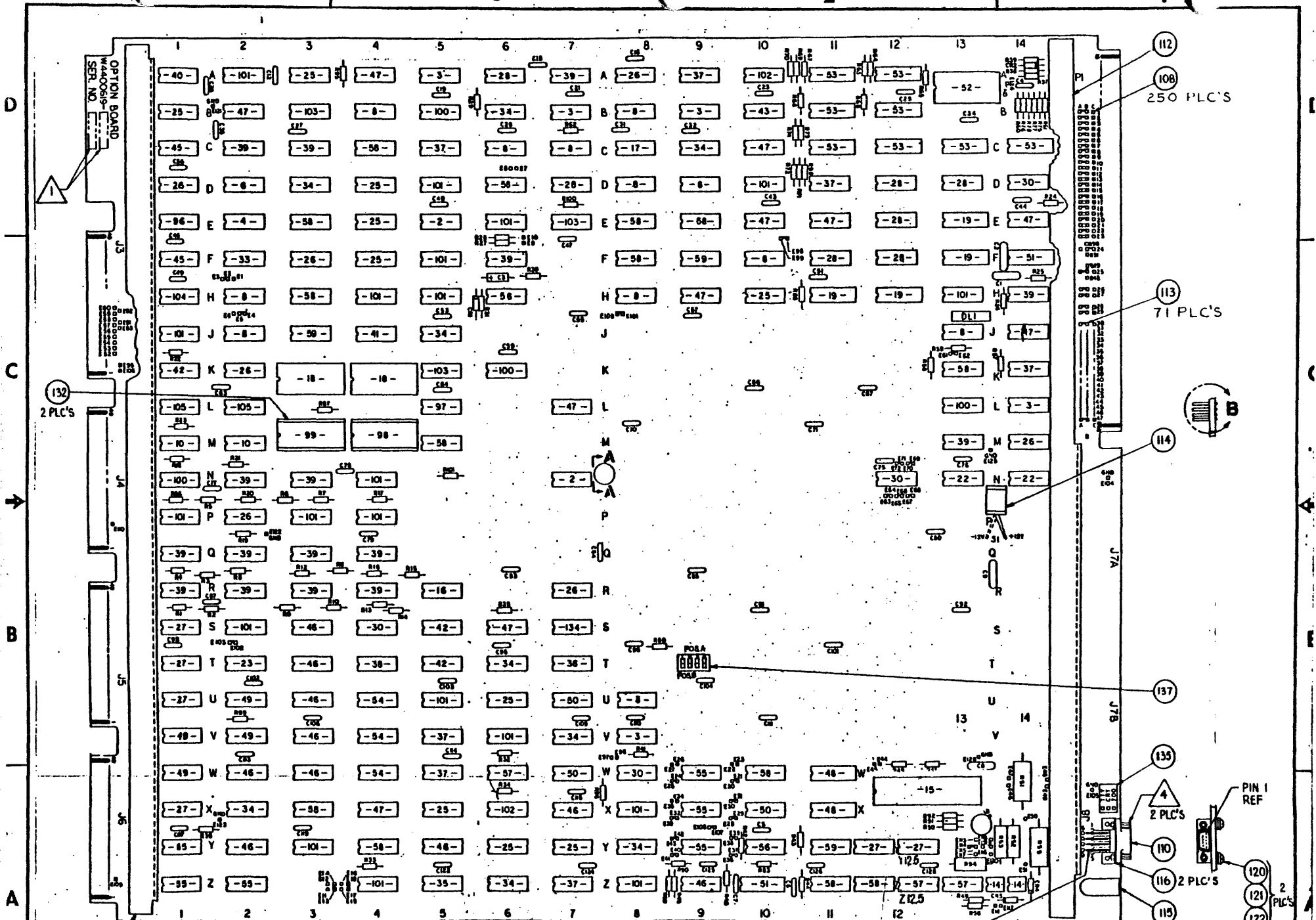
(121)  
2 PLC'S

(122)

(113)  
19 PLC'S

(119)  
SLEEVE LEADS 6 THRU 9 ONLY





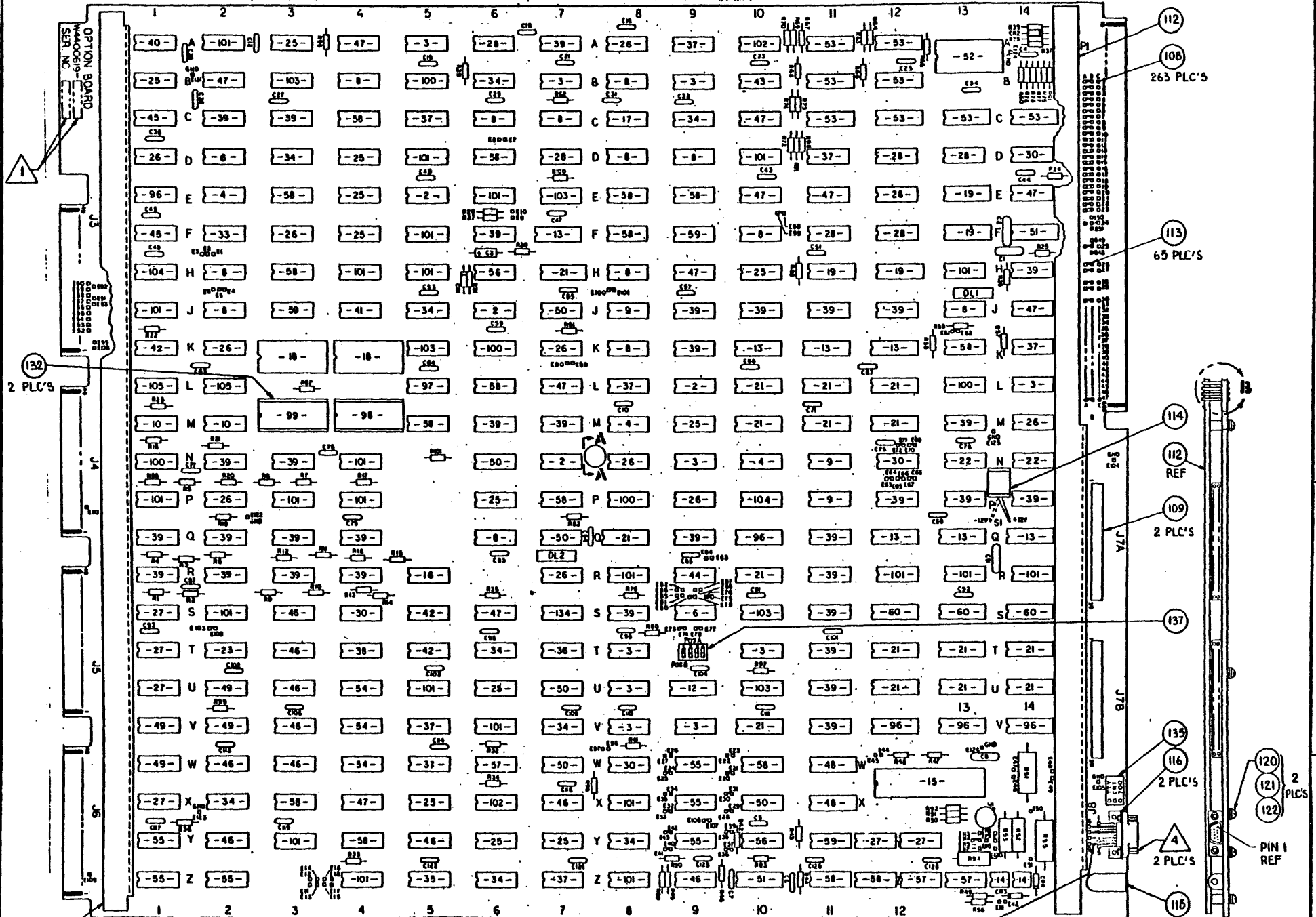
W4400619 - 01. SHOWN  
 W4400619 - 04.

(128) -04

(130) 2 PLC'S

(119) SLEEVE LEAD 6 THRU 9 ONLY

|                |      |          |              |
|----------------|------|----------|--------------|
| CODE IDENT NO. | SIZE | DWG NO   | REV          |
| 21101          | C    | W4400619 | DH           |
| SCALE          |      |          | SHEET 3 OF 8 |



(112)  
(108)  
263 PLC'S

(113)  
65 PLC'S

(114)  
(112) REF  
(109)  
2 PLC'S

(137)

(135)  
(116)  
2 PLC'S

(120)  
(121)  
(122)  
2 PLC'S  
PIN 1 REF

(132)  
2 PLC'S

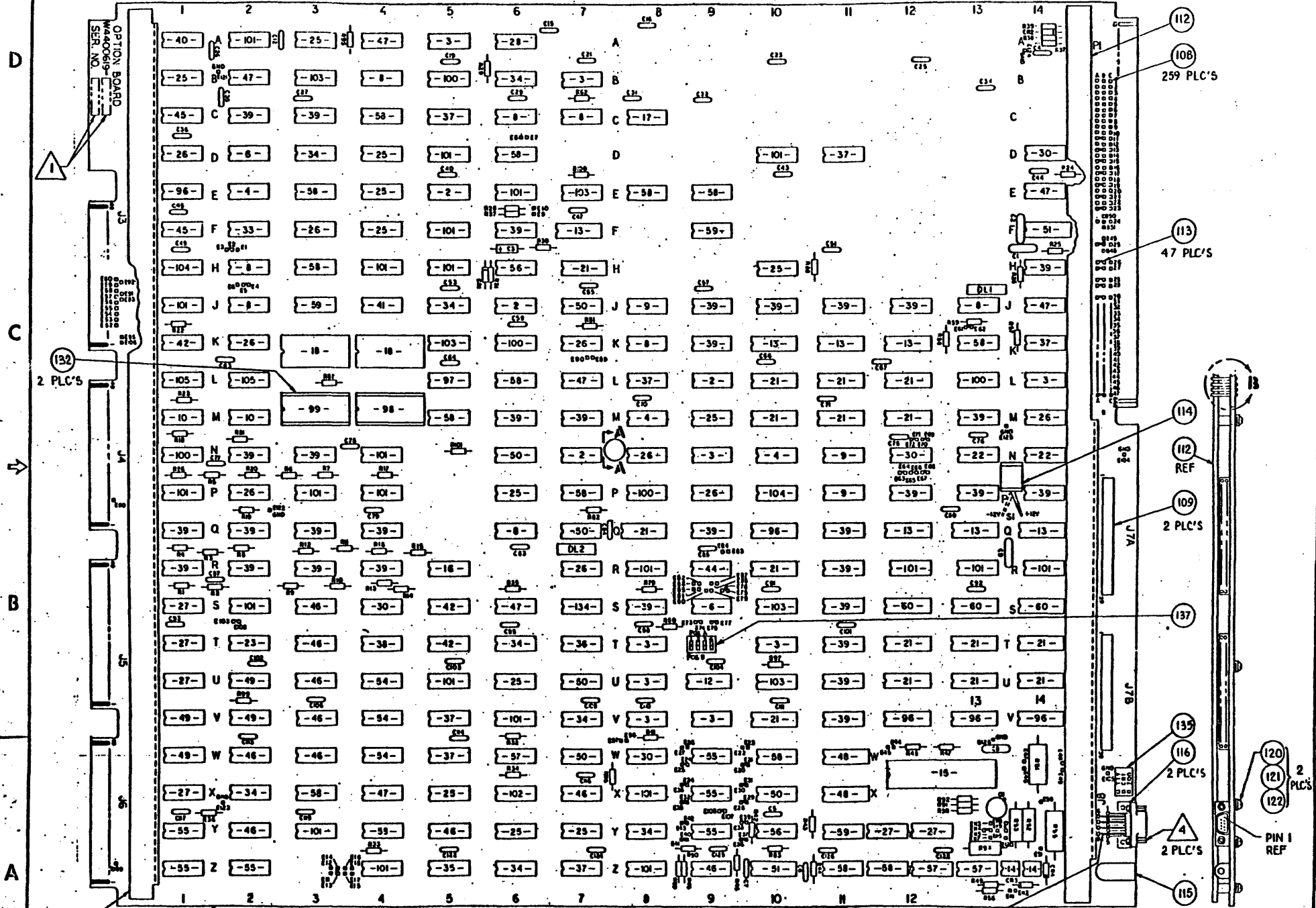
W4400619 - 02 SHOWN  
W4400619 - 05

(129) - 05

(119)  
SLEEVE LEADS  
6 THRU 9 ONLY  
SCALE

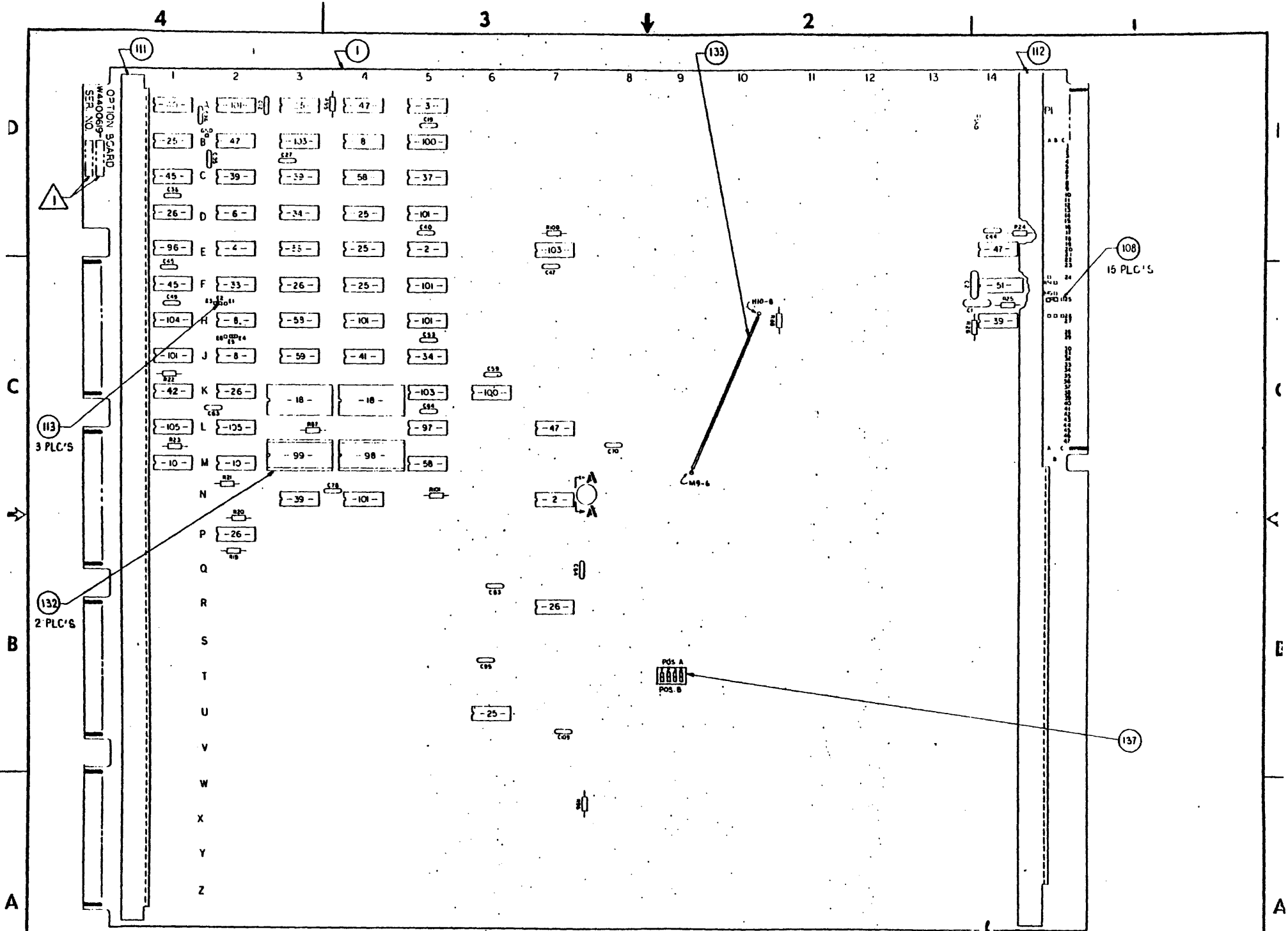
|                |      |          |
|----------------|------|----------|
| CODE IDENT NO. | SIZE | DWG NO   |
| 21101          | C    | W4400619 |

|     |      |
|-----|------|
| REV | DH   |
| 4   | OF 8 |



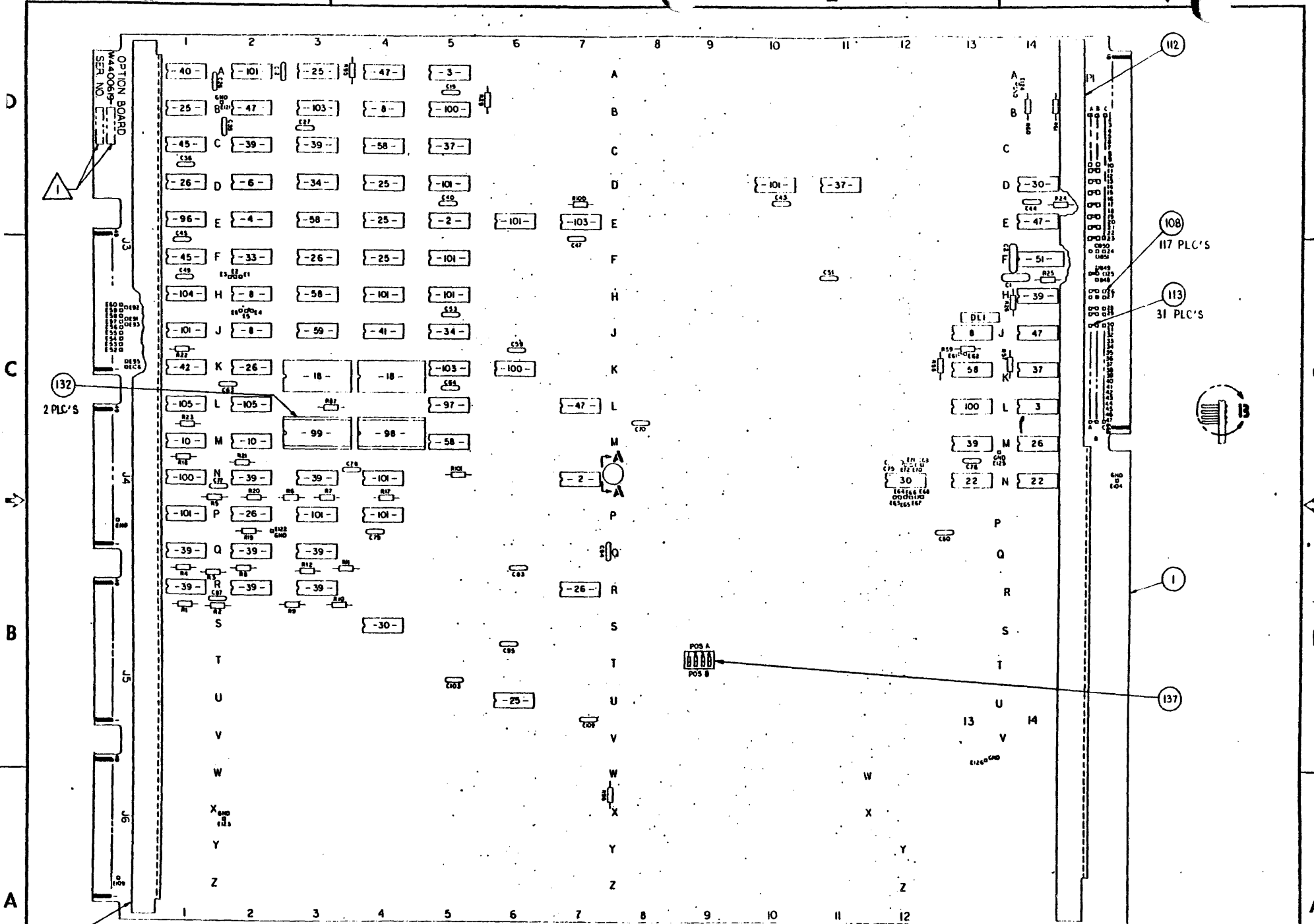
W440069 - 03 ASSY

|                               |                |      |         |     |
|-------------------------------|----------------|------|---------|-----|
| SLEEVE LEADS<br>6 THRU 9 ONLY | CODE IDENT NO. | SIZE | DWG NO  | REV |
|                               | 21101          | C    | W440069 | DH  |
| SCALE                         | SHEET 5 OF 8   |      |         |     |



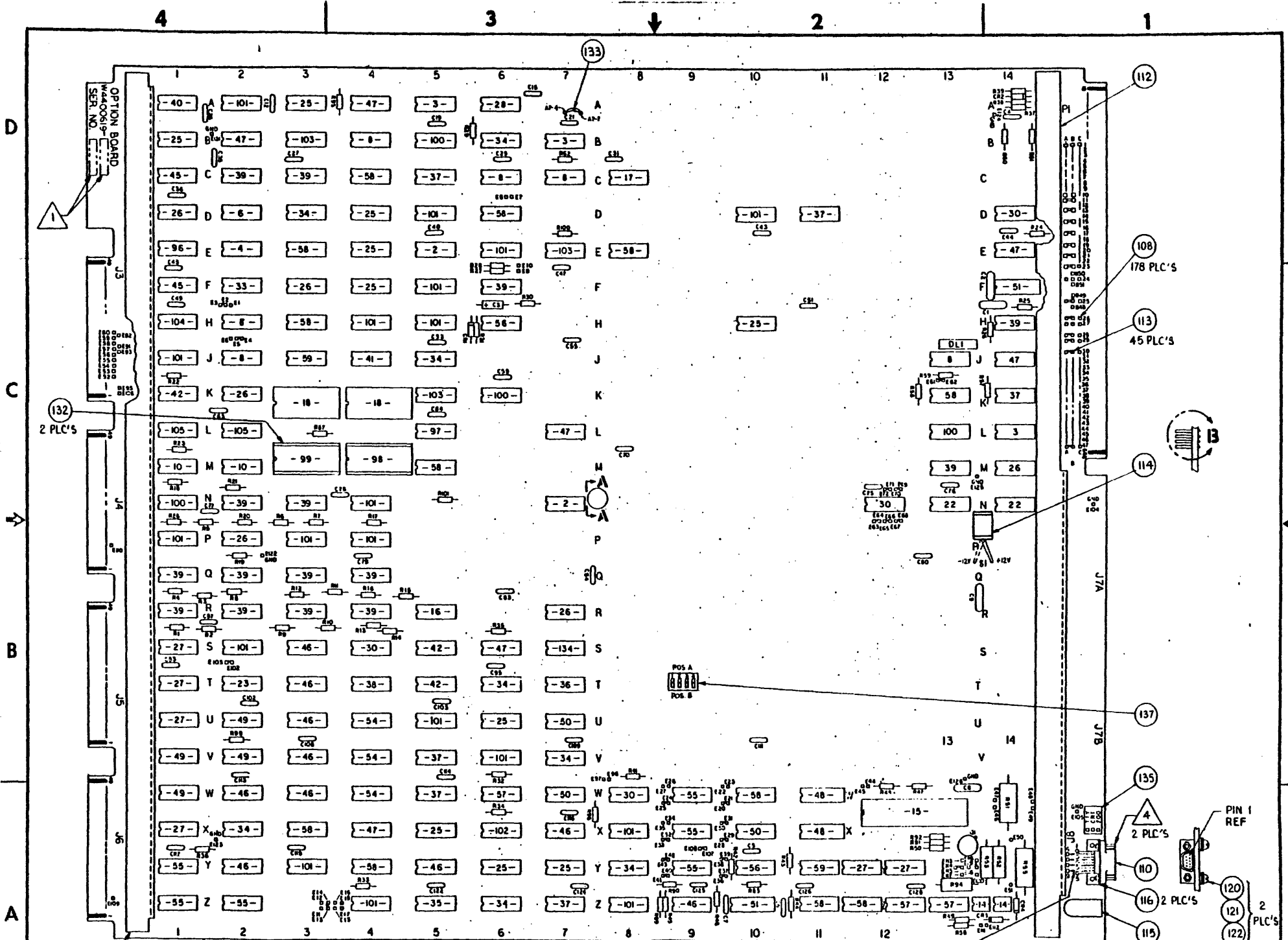
W4400619 - 06 ASSY

|                 |      |          |            |
|-----------------|------|----------|------------|
| CODE IDL NT NO. | SIZE | DWG NO   | REV        |
| 21101           | C    | W4400619 | DH         |
| SCALE           |      |          | LET 6 OF 8 |



W4400619 - 07 ASSY

|                |              |          |     |
|----------------|--------------|----------|-----|
| CODE IDENT NO. | SIZE         | DWG NO   | REV |
| 21101          | C            | W4400619 | DH  |
| SCALE          | SHEET 7 OF 8 |          |     |



W4400619 - 08 ASSY

119  
SLEEVE LEADS  
6 THRU 9 ONLY

| CODE IDENT NO. | SIZE | DWG NO | REV |
|----------------|------|--------|-----|
| 21101          | C    | W440   | 9   |
| SCALE          |      |        | DH  |
| SHEET 8 OF A   |      |        |     |

**SPERRY UNIVAC PARTS LIST**

MFG CODE  
J, W

ISSUE DATE

81/01/06

CONTROL

W 777

DOC NO.

**PL**

W4400619

SHEET

8 1

SPERRY UNIVAC IS A DIVISION OF SPERRY CORPORATION

|  |  |     |     |     |           |    |           |         |           |           |            |
|--|--|-----|-----|-----|-----------|----|-----------|---------|-----------|-----------|------------|
| TITLE<br>PC ASSEMBLY - OPTION BD DM357 |  | PCC | ADC | PCD | COMM CODE | CA | U/M<br>EA | ST<br>A | TYPE<br>M | SIZE<br>C | CLASS<br>A |
|--|--|-----|-----|-----|-----------|----|-----------|---------|-----------|-----------|------------|

| FIND NO. | QUANTITY REQUIRED | U/M  | PCC | PART OR IDENT NO. |      | EIR AND PART DESCRIPTION INFORMATION                       | ECC | ST | CHG |
|----------|-------------------|------|-----|-------------------|------|--|-----|----|-----|
|          |                   |      |     | DOCUMENT NO.      | DASH |  |     |    |     |
| Z099     |                   |      |     | W 94240           | -02  | PL REV DK, PIC REV DK, RANGE 00 - 08 EIR RELEASED 81/01/05 |     |    | *   |
| Z098     |                   |      |     | W 94240           | -01  | PL REV DJ, PIC REV DH, RANGE 00 - 08 EIR RELEASED 80/11/24 |     |    |     |
| *****    | *****             | ***  | **  | *****             | **** | ***** COMMON DATA *****                                    |     |    |     |
| 1        | 1                 | EA   |     | W4000528          | -00  | PC BOARD - OPTION DM357                                    |     |    | A   |
| 10       | 2                 | EA   |     | W4900160          | -00  | INTEGRATED CIRCUIT, DIGITAL TTL 74157 MUX QUAD 2-IN        |     |    | A   |
| 18       | 2                 | EA   |     | 8000041           | -00  | INTEGRATED CIRCUIT -IC181 TTL 74198 * REG SHF 8BT          |     |    | I   |
| 33       | 1                 | EA   |     | W4900554          | -01  | INTEGRATED CIRCUIT, DIGITAL TTLH 74H10 GT NAND 3IN         |     |    | A   |
| 40       | 1                 | EA I |     | 5036517           | -00  | INTEGRATED CIRCUIT TTLH 74H40 * GT NAND 8UFF               |     |    | I   |
| 41       | 1                 | EA I |     | 3008190           | -00  | INTEGRATED CIRCUIT TTL 7442 * DCDR 4-10LN                  |     |    | I   |
| 45       | 2                 | EA I |     | 3013357           | -00  | INTEGRATED CIRCUIT-IC194 TTLH 74H54 * GT A01               |     |    | I   |
| 70       | 2                 | EA   |     | W6502500          | 752  | RES,FXD,COMPOSITION,1/8W 7500 OHMS                         |     |    | A   |
|          |                   |      |     | REF DES ( 1)      |      | R25,R26,   |     |    |     |
| 97       | 1                 | EA   |     | W4900078          | -00  | INTEGRATED CIRCUIT, DIGITAL TTLH 74H55 EXP 4-IN A01        |     |    | A   |
| 98       | 1                 | EA   |     | W4900195          | -00  | INTEGRATED CIRCUIT 24 DIL - PLASTIC OR CERAMIC             |     |    | A   |
| 99       | 1                 | EA   |     | W4900195          | -01  | INTEGRATED CIRCUIT 24 DIL - PLASTIC OR CERAMIC             |     |    | A   |
| 105      | 2                 | EA   |     | W4900127          | -00  | INTEGRATED CIRCUIT, DIGITAL TTL 74161 CMTR 4BT BIN         |     |    | A   |
| 106      | 1                 | EA   |     | W2200105          | -03  | SPACER .25/.38 DIA X .406 4-40 THD                         |     |    | A   |
| 107      | 1                 | EA   |     | W2200105          | -00  | SPACER .38 DIA X .120                                      |     |    | A   |
| 111      | 1                 | EA   |     | W0400709          | -00  | BOARD STIFFENER,FRONT                                      |     |    | A   |
| 112      | 1                 | EA   |     | W0400796          | -00  | STIFFENER REAR   |     |    | A   |
| 132      | 2                 | EA   |     | W5800195          | -05  | IC SOCKET 24 PIN SOCKET                                    |     |    | A   |
| 137      | 1                 | EA   |     | W7800114          | -00  | SWITCH, TOGGLE, ROCKER DPDT ON NONE OFF50MA 30VDC          |     |    | A   |
| F001     |                   | X    |     | W9100401          | -01  | LOGIC DIAG, OPTION BD DM357                                |     |    | A * |
| S001     |                   | X    |     | SW01163           | -00  | MARKING,MECHANICAL SPECS DSGN=F/GENERAL IDENTIFICATION     |     |    | A   |

**CAUTION: EN 87531-03 AFFECT THIS DWG.**

**UNIVAC PARTS LIST**

SPERRY UNIVAC IS A DIVISION OF SPERRY CORPORATION

|                  |                        |                  |                        |         |            |
|------------------|------------------------|------------------|------------------------|---------|------------|
| MFG CODE<br>J, W | ISSUE DATE<br>81/01/06 | CONTROL<br>W 777 | DOC NO.<br>PL W4400619 | AC<br>8 | SHEET<br>2 |
|------------------|------------------------|------------------|------------------------|---------|------------|

|  |     |     |     |           |    |           |         |           |           |            |
|--|-----|-----|-----|-----------|----|-----------|---------|-----------|-----------|------------|
| TITLE<br>PC ASSEMBLY - OPTION BD DM357 | PCC | ADC | PCD | COMM CODE | CA | U/M<br>EA | ST<br>A | TYPE<br>M | SIZE<br>C | CLASS<br>A |
|--|-----|-----|-----|-----------|----|-----------|---------|-----------|-----------|------------|

| FIND NO. | QUANTITY REQUIRED | U/M | PCC | PART OR IDENT NO. |      | EIR AND PART DESCRIPTION INFORMATION                  | ECC | ST | CHG |
|----------|-------------------|-----|-----|-------------------|------|---|-----|----|-----|
|          |                   |     |     | DOCUMENT NO.      | DASH |   |     |    |     |
| 9002     |                   | X   |     | 8W00536           | -00  | THREADED FASTENERS SPECS DSGN=SELECTION=INSTALLATION  |     |    | A   |
| *****    | *****             | *** | *   | *****             | **** | SEE TABULATION ON DRAWING VAR DATA PART = 00 *****    |     |    | A   |
| 2        | 2                 | EA  | I   | 5036516           | -00  | INTEGRATED CIRCUIT DIGITAL TTLS 74810 * GT NAND 3IN   |     |    | A   |
| 3        | 3                 | EA  | I   | 5036506           | -00  | INTEGRATED CIRCUIT TTLS 74811 * GT AND 3IN            |     |    | A   |
| 4        | 1                 | EA  | I   | 2892079           | -00  | INTEGRATED CIRCUIT DIGITAL TTLS 74820 * GT NAND 4IN   |     |    | A   |
| 6        | 1                 | EA  | I   | 2892081           | -00  | INTEGRATED CIRCUIT DIGITAL TTLS 74864 * GT AOI        |     |    | A   |
| 8        | 5                 | EA  | I   | 9004323           | -01  | INTEGRATED CIRCUIT DIGITAL TTL FF 2 JK ET BT          | 0   |    | I   |
| 14       | 2                 | EA  |     | W4800005          | -00  | OPOELECTRONIC COUPLER PLASTIC                         |     |    | A   |
| 15       | 1                 | EA  |     | W4900348          | -00  | INTEGRATED CIRCUIT, DIGITAL CMOS 6402 UART            |     |    | A   |
| 16       | 1                 | EA  |     | W4900182          | -00  | INTEGRATED CIRCUIT, DIGITAL TTLS 748113 FF DUAL JK ET |     |    | A   |
| 17       | 1                 | EA  | I   | 3008182           | -00  | INTEGRATED CIRCUIT TTL 7402 * GT NDR 2IN              |     |    | I   |
| 23       | 1                 | EA  | I   | 9001407           | -01  | INTEGRATED CIRCUIT DIGITAL TTL DEC BIN 1 OF 8 BT      | 0   |    | I   |
| 25       | 10                | EA  | I   | 5036515           | -00  | INTEGRATED CIRCUIT TTLH 74H00 * GT NAND 2IN           |     |    | I   |
| 26       | 5                 | EA  | I   | 2899571           | -00  | INTEGRATED CIRCUIT DIGITAL TTLS 74800 * GT NAND 2IN   |     |    | A   |
| 27       | 6                 | EA  | I   | 3013354           | -00  | INTEGRATED CIRCUIT TTLH 74H01 * GT NAND 2IN           |     |    | I   |
| 28       | 1                 | EA  | I   | 2899412           | -00  | INTEGRATED CIRCUIT LINEAR TTL 7403 * GT NAND 2IN      |     |    | A   |
| 30       | 2                 | EA  |     | 6558675           | -00  | INTEGRATED CIRCUIT                                    |     |    | A   |
| 34       | 8                 | EA  | I   | 2899573           | -00  | INTEGRATED CIRCUIT DIGITAL TTLH 74H11 * GT AND 3IN    |     |    | I   |
| 35       | 1                 | EA  | I   | 3008089           | -00  | INTEGRATED CIRCUIT TTL 7413 * GT NAND 4IN             |     |    | I   |
| 36       | 1                 | EA  | I   | 3008187           | -00  | INTEGRATED CIRCUIT TTL 7420 * GT NAND 4IN             |     |    | I   |
| 37       | 4                 | EA  | I   | 3013355           | -00  | INTEGRATED CIRCUIT-IC192 TTLH 74H21 * GT AND 4IN      |     |    | I   |
| 38       | 1                 | EA  |     | 3013468           | -00  | INTEGRATED CIRCUIT - IC204 TTLH 74H30 * GT NAND 8IN   |     |    | I   |
| 39       | 14                | EA  |     | W4900128          | -01  | INTEGRATED CIRCUIT, DIGITAL TTL 7438 QUAD 2IN NAND    |     |    | I   |
| 42       | 3                 | EA  |     | W4900093          | -01  | INTEGRATED CIRCUIT, DIGITAL TTLH 74H50                |     |    | A   |
| 46       | 10                | EA  | I   | 3008194           | -00  | INTEGRATED CIRCUIT TTL 7474 * FF D DUAL               |     |    | I   |



SPERRY UNIVAC PARTS LIST

SPERRY UNIVAC IS A DIVISION OF SPERRY CORPORATION

MFG CODE

J, W

ISSUE DATE

81/01/06

CONTROL

W 777

DOC NO.

PL

W4400619

SHEET

8 3

|  |  |  |  |  |     |     |     |           |    |           |         |           |           |            |
|--|--|--|--|--|-----|-----|-----|-----------|----|-----------|---------|-----------|-----------|------------|
| TITLE<br>PC ASSEMBLY - OPTION HU DM357 |  |  |  |  | PCC | ADC | PCD | COMM CODE | CA | U/M<br>EA | ST<br>A | TYPE<br>M | SIZE<br>C | CLASS<br>A |
|--|--|--|--|--|-----|-----|-----|-----------|----|-----------|---------|-----------|-----------|------------|

| FIND NO. | QUANTITY REQUIRED | U/M | PCC | PART OR IDENT NO. |      | EIR AND PART DESCRIPTION INFORMATION                   | ECC | ST | CHG |
|----------|-------------------|-----|-----|-------------------|------|--|-----|----|-----|
|          |                   |     |     | DOCUMENT NO.      | DASH |  |     |    |     |
| 47       | 6                 | EA  | I   | 5036157           | -00  | INTEGRATED CIRCUIT DIGITAL DUAL D TYPE EDGE TRIG, F-F  |     |    |     |
| 48       | 2                 | EA  | I   | 3008195           | -00  | INTEGRATED CIRCUIT TTL 7475 * REG LATCH 4BT            |     |    |     |
| 49       | 4                 | EA  | I   | 3006204           | -00  | INTEGRATED CIRCUIT - IC7 TTL 7493 * CNTR 4BT           |     |    |     |
| 50       | 3                 | EA  | I   | 9004321           | -01  | INTEGRATED CIRCUIT DIGITAL TTL FF 2 JK ET BT           | 0   |    |     |
| 51       | 2                 | EA  | I   | 3007952           | -00  | INTEGRATED CIRCUIT TTL 74123 * MVB DUAL RGT            |     |    |     |
| 54       | 3                 | EA  | I   | 3007845           | -00  | INTEGRATED CIRCUIT TTL 74193 * CNTR 4BT U/D            |     |    |     |
| 55       | 6                 | EA  |     | 2510193           | -00  | INTEGRATED CIRCUIT, DIGITAL                            |     |    |     |
| 56       | 2                 | EA  | I   | 3008031           | -00  | INTEGRATED CIRCUIT TTL 74122 * MVB RGT W/C             |     |    |     |
| 57       | 3                 | EA  |     | W4900010          | -00  | INTEGRATED CIRCUIT, DIGITAL DTL 844 * GT 2IN NAND      |     |    |     |
| 58       | 11                | EA  | I   | 5036505           | -00  | INTEGRATED CIRCUIT TTLH 74H08 * GT AND 2IN             |     |    |     |
| 59       | 2                 | EA  | I   | 5036522           | -00  | INTEGRATED CIRCUIT DIGITAL TTL 3003 * GT OR 2IN        |     |    |     |
| 63       | 18                | EA  |     | W6502500          | 362  | RES, FXD, COMPOSITION, 1/4W, 5% 3600 OHMS              |     |    |     |
|          |                   |     |     | REF DES ( 1)      |      | R1-R18,  |     |    |     |
| 64       | 4                 | EA  |     | W6502500          | 121  | RES, FXD, COMPOSITION, 1/4W, 5% 120 OHMS               |     |    |     |
|          |                   |     |     | REF DES ( 1)      |      | R19-R21, R86,  |     |    |     |
| 67       | 4                 | EA  |     | W7100004          | 101  | CAPACITOR, FIXED, CERAMIC DIELECTRIC 1.0 UF +80%, -20% |     |    |     |
|          |                   |     |     | REF DES ( 1)      |      | C1, C2, C8, C9,  |     |    |     |
| 68       | 2                 | EA  |     | W6502500          | 123  | RES, FXD, COMPOSITION, 1/4W, 5% 12K                    |     |    |     |
|          |                   |     |     | REF DES ( 1)      |      | R31, R56,  |     |    |     |
| 69       | 14                | EA  |     | W6502500          | 471  | RES, FXD, COMPOSITION, 1/4W, 5% 470 OHMS               |     |    |     |
|          |                   |     |     | REF DES ( 1)      |      | R22, R23, R34, R27-R30, ( 2) R39, R62, R75-R78, R80,   |     |    |     |
| 72       | 1                 | EA  |     | W6502500          | 182  | RES, FXD, COMPOSITION, 1/4W, 5% 1800 OHMS              |     |    |     |
|          |                   |     |     | REF DES ( 1)      |      | R37,   |     |    |     |
| 73       | 22                | EA  |     | W6502500          | 102  | RES, FXD, COMPOSITION, 1/4W, 5% 1000 OHMS              |     |    |     |
|          |                   |     |     | REF DES ( 1)      |      | R24, R33, R35, R36, R38, ( 2) R41, R43, R45, R47, R48, |     |    |     |

# SPERRY UNIVAC PARTS LIST

SPERRY UNIVAC IS A DIVISION OF SPERRY CORPORATION

|  |                        |                  |                               |           |            |           |         |           |           |            |
|--|------------------------|------------------|-------------------------------|-----------|------------|-----------|---------|-----------|-----------|------------|
| MFG CODE<br>J, W                       | ISSUE DATE<br>81/01/06 | CONTROL<br>W 777 | DOC NO.<br><b>PL</b> W4400619 | AC<br>B   | SHEET<br>4 |           |         |           |           |            |
| TITLE<br>PC ASSEMBLY - OPTION 8D DM357 | PCC                    | ADC              | PCD                           | COMM CODE | CA         | U/M<br>EA | ST<br>A | TYPE<br>M | SIZE<br>C | CLASS<br>A |

| P/N | QTY | U/M | PCC | PART OR IDENT NO.             |  | EIR AND PART DESCRIPTION INFORMATION | ECC | ST | CHG |
|-----|-----|-----|-----|-------------------------------|--|--------------------------------------|-----|----|-----|
|     |     |     |     | DOCUMENT NO.                  | DASH   |                                      |     |    |     |
| 74  | 1   | EA  |     | REF DES ( 3 )<br>W6502500 303 | R60, R61, R87-K90, R83, ( 4 ) R95, R96, R99-R101,<br>RES, FXD, COMPOSITION, 1/4W, 5% 30K |                                      |     |    | A   |
| 75  | 1   | EA  |     | REF DES ( 1 )<br>W6502500 223 | R42,<br>RES, FXD, COMPOSITION, 1/4W, 5% 22K  |                                      |     |    | A   |
| 76  | 1   | EA  |     | REF DES ( 1 )<br>W6502500 203 | R44,<br>RES, FXD, COMPOSITION, 1/4W, 5% 20K  |                                      |     |    | A   |
| 77  | 2   | EA  |     | REF DES ( 1 )<br>W6502500 151 | R46,<br>RES, FXD, COMPOSITION, 1/4W, 5% 150 OHMS   |                                      |     |    | A   |
| 78  | 1   | EA  |     | REF DES ( 1 )<br>W6502500 513 | R32, R49,<br>RES, FXD, COMPOSITION, 1/4W, 5% 51K   |                                      |     |    | A   |
| 79  | 1   | EA  |     | REF DES ( 1 )<br>W6502500 512 | R50,<br>RES, FXD, COMPOSITION, 1/4W, 5% 5100 OHMS  |                                      |     |    | A   |
| 80  | 2   | EA  |     | REF DES ( 1 )<br>W6502010 202 | R92,<br>RESISTOR, FIXED, COMPOSITION 2 K 5% 2W   |                                      |     |    | A   |
| 81  | 1   | EA  |     | REF DES ( 1 )<br>W6501010 471 | R51, R55,<br>RESISTOR, FIXED, COMPOSITION 470 OHMS 5% 1W                                 |                                      |     |    | A   |
| 82  | 1   | EA  |     | REF DES ( 1 )<br>W6501010 101 | R53,<br>RESISTOR, FIXED, COMPOSITION 100 OHMS 5% 1W                                      |                                      |     |    | A   |
| 85  | 1   | EA  | C   | REF DES ( 1 )<br>4916657 -06  | R52,<br>CAP FXD CER DIEL 50V +80 - 20% 100K PF   |                                      |     |    | A   |
| 86  | 1   | EA  |     | REF DES ( 1 )<br>W7100352 154 | C4,<br>CAPACITUR, FIXED, TANT DIEL 35V 10% 150 PF  |                                      |     |    | A   |
| 87  | 1   | EA  |     | REF DES ( 1 )<br>W6901500 221 | C3,<br>CAPACITOR, FIXED, MICA DIEL 500V 5% 220 PF  |                                      |     |    | A   |
|     |     |     |     | REF DES ( 1 )<br>C5,          |  |                                      |     |    |     |

**SPERRY UNIVAC PARTS LIST**

SPERRY UNIVAC IS A DIVISION OF SPERRY CORPORATION

MFG CODE  
J, W

ISSUE DATE

81/01/06

CONTROL

W 777

DOC NO.

PL

W4400619

SHEET

8 5

|  |  |  |  |  |     |     |     |           |    |           |         |           |           |            |
|--|--|--|--|--|-----|-----|-----|-----------|----|-----------|---------|-----------|-----------|------------|
| TITLE<br>PC ASSEMBLY - OPTION BD DM357 |  |  |  |  | PCC | ADC | PCD | COMM CODE | CA | U/M<br>EA | ST<br>A | TYPE<br>M | SIZE<br>C | CLASS<br>A |
|--|--|--|--|--|-----|-----|-----|-----------|----|-----------|---------|-----------|-----------|------------|

| FIND NO. | QUANTITY REQUIRED | U/M | PCC | PART OR IDENT NO. |       | EIR AND PART DESCRIPTION INFORMATION                            | ECC | ST | CHG |
|----------|-------------------|-----|-----|-------------------|-------|---|-----|----|-----|
|          |                   |     |     | DOCUMENT NO.      | DASH  |   |     |    |     |
| 88       | 1                 | EA  |     | W6901500          | 151   | CAPACITOR, FIXED, MICA DIELECTRIC 500V 5% 150 PF                |     |    | A   |
|          |                   |     |     | REF DES           | ( 1 ) | C6,   |     |    |     |
| 89       | 1                 | EA  |     | W6901500          | 330   | CAPACITOR, FIXED, MICA DIELECTRIC 500V 5% 33 PF                 |     |    | A   |
|          |                   |     |     | REF DES           | ( 1 ) | C7,   |     |    |     |
| 90       | 65                | EA  |     | 6630012           | -05   | CAPACITOR, FIXED, CERAMIC DIELECTRIC .010 UF, 50VDC, +80%, -20% |     |    | A   |
|          |                   |     |     | REF DES           | ( 1 ) | C12, C15, C16, C19, C21, ( 2 ) C23, C25-C27, C29, C31,          |     |    |     |
|          |                   |     |     | REF DES           | ( 3 ) | C32, C34-C36, C40, C43- ( 4 ) C45, C47, C49, C51, C53,          |     |    |     |
|          |                   |     |     | REF DES           | ( 5 ) | C55, C57, C59, C63, C64, ( 6 ) C66, C67, C70, C71, C75-         |     |    |     |
|          |                   |     |     | REF DES           | ( 7 ) | C80, C83-C85, C87, C91- ( 8 ) C93, C95, C98, C101-              |     |    |     |
|          |                   |     |     | REF DES           | ( 9 ) | C104, C106, C109-C111, (10) C113, C114, C116, C117,             |     |    |     |
|          |                   |     |     | REF DES           | (11)  | C119, C122, C124-C126, (12) C128,                               |     |    |     |
| 92       | 2                 | EA  |     | W7701017          | -00   | SEMICONDUCTOR DEVICE, DIODE 200MA                               |     |    | A   |
|          |                   |     |     | REF DES           | ( 1 ) | CR1, CR2,   |     |    |     |
| 93       | 2                 | EA  | U   | 2899056           | -00   | SEMICONDUCTOR DEVICE DIODE SILICON POWER 1N4003                 |     |    | A   |
|          |                   |     |     | REF DES           | ( 1 ) | CR3, CR4,   |     |    |     |
| 94       | 1                 | EA  |     | W7600019          | -00   | TRANSISTOR PNP VCB0 150V 5.6MW BETA20                           |     |    | A   |
|          |                   |     |     | REF DES           | ( 1 ) | Q1,   |     |    |     |
| 96       | 1                 | EA  |     | W4800007          | -00   | RESISTOR NETWORK, FIXED 28ELEM 1.5 W 2% 200OHM 300              |     |    | A   |
| 100      | 3                 | EA  | I   | 5036504           | -00   | INTEGRATED CIRCUIT DIGITAL TTLS 74S04 * GT HEX INVERT           |     |    | A   |
| 101      | 19                | EA  | I   | 3007755           | -00   | INTEGRATED CIRCUIT TTLH 74H04 * GT HEX INVERT                   |     |    | I   |
| 102      | 1                 | EA  | I   | 3008186           | -00   | INTEGRATED CIRCUIT TTL 7410 * GT NAND 3IN                       |     |    | I   |
| 103      | 3                 | EA  | I   | 5036146           | -00   | INTEGRATED CIRCUIT DIGITAL TTLS 74S74 * FF DUAL D               |     |    | A   |
| 104      | 1                 | EA  | I   | 9004633           | -01   | INTEGRATED CIRCUIT DIGITAL TTLS 74S112 * FF DUAL JK             |     |    | A   |
| 108      | 229               | EA  |     | W5800062          | -09   | CONTACT ELECTRICAL, WIRE WARP PLATING, GOLD                     |     |    | A   |
| 110      | 1                 | EA  |     | W5700296          | -00   | CONNECTOR, RECTANGULAR, ELEC 9 FIXED SOCKETS RECP               |     |    | A   |

SPERRY UNIVAC PARTS LIST  
 SPERRY UNIVAC IS A DIVISION OF SPERRY CORPORATION

|                  |                        |                  |                        |         |            |
|------------------|------------------------|------------------|------------------------|---------|------------|
| MFG CODE<br>J, W | ISSUE DATE<br>81/01/06 | CONTROL<br>W 777 | DOC NO.<br>PL W4400619 | AC<br>8 | SHEET<br>6 |
|------------------|------------------------|------------------|------------------------|---------|------------|

|  |     |     |     |           |    |           |         |           |           |            |
|--|-----|-----|-----|-----------|----|-----------|---------|-----------|-----------|------------|
| TITLE<br>PC ASSEMBLY - OPTION 80 DM357 | PCC | ADC | PCD | COMM CODE | CA | U/M<br>EA | ST<br>A | TYPE<br>M | SIZE<br>C | CLASS<br>A |
|--|-----|-----|-----|-----------|----|-----------|---------|-----------|-----------|------------|

| FIND NO. | QUANTITY REQUIRED | U/M | PCC | PART OR IDENT NO. |      | EIR AND PART DESCRIPTION INFORMATION                   | ECC | ST | CHG |
|----------|-------------------|-----|-----|-------------------|------|--|-----|----|-----|
|          |                   |     |     | DOCUMENT NO.      | DASH |  |     |    |     |
|          |                   |     |     | REF DES ( 1)      | J8,  |  |     |    |     |
| 113      | 19                | EA  |     | W2600038          | -00  | CLIP, RETAINING .006 THK, BERYLLIUM COPPER             |     |    | A   |
| 114      | 1                 | EA  |     | W7800108          | -00  | SWITCH, TOGGLE, LEVER 2 POSITION                       |     |    | A   |
|          |                   |     |     | REF DES ( 1)      | S1,  |  |     |    |     |
| 115      | 1                 | EA  |     | W5800189          | -00  | CONNECTOR, COAXIAL, ELECTRICAL 1000 VOLTS, 50 OHMS     |     |    | A   |
|          |                   |     |     | REF DES ( 1)      | TP1, |  |     |    |     |
| 116      | 2                 | EA  |     | W5700296          | -02  | CONNECTOR, RECTANGULAR, ELEC BRACKET                   |     |    | A   |
| 119      | AR                | IN  |     | W5400001          | 124  | INSULATION SLEEVING, ELEC SIZE 24 BLACK .022 ID        |     |    | A   |
| 120      | 2                 | EA  |     | W2100062          | -01  | SCREW, MACH, PAN HEAD STL PASS XREC 2-56 .180          |     |    | A   |
| 121      | 2                 | EA  |     | W2202560          | -01  | WASHER, FLAT SST PASS .025THK .089ID .2190D            |     |    | A   |
| 122      | 2                 | EA  |     | W2202561          | -02  | WASHER, LOCK, FLAT NO. 2                               |     |    | A   |
| 126      | 1                 | EA  |     | W6502500          | 103  | RES, FXD, COMPOSITION, 1/4W, 5% 10K                    |     |    | A   |
|          |                   |     |     | REF DES ( 1)      | R91, |  |     |    |     |
| 127      | 1                 | EA  |     | W6501010          | 331  | RESISTOR, FIXED, COMPOSITION 330 OHMS 5% 1W            |     |    | A   |
|          |                   |     |     | REF DES ( 1)      | R94, |  |     |    |     |
| 134      | 1                 | EA  |     | W4900169          | -01  | INTEGRATED CIRCUIT, DIGITAL TTLS 74S74 * FF D SELECTED |     |    | I   |
| 135      | 1                 | EA  |     | W8600053          | -02  | LABEL, IDENTIFICATION TTY CRT 700 RED LTR WHT BKGD     |     |    | A   |
| 136      | AR                | IN  |     | W5300333          | -90  | WIRE, ELEC 30SLD 300V PVD WHT                          |     |    | A   |
| *****    | *****             | *** | *   | *****             | **** | SEE TABULATION ON DRAWING VAR DATA PART - 01 *****     |     |    | A   |
| 2        | 2                 | EA  | I   | 5036516           | -00  | INTEGRATED CIRCUIT DIGITAL TTLS 74S10 * GT NAND 3IN    |     |    | A   |
| 3        | 6                 | EA  | I   | 5036506           | -00  | INTEGRATED CIRCUIT TTLS 74S11 * GT AND 3IN             |     |    | A   |
| 4        | 1                 | EA  | I   | 2892079           | -00  | INTEGRATED CIRCUIT DIGITAL TTLS 74S20 * GT NAND 4IN    |     |    | A   |
| 6        | 1                 | EA  | I   | 2892081           | -00  | INTEGRATED CIRCUIT DIGITAL TTLS 74S64 * GT AOI         |     |    | A   |
| 8        | 11                | EA  | I   | 9004323           | -01  | INTEGRATED CIRCUIT DIGITAL TTL FF 2 JK ET BT 0         |     |    | I   |
| 14       | 2                 | EA  |     | W4800005          | -00  | UPOELECTRONIC COUPLER PLASTIC                          |     |    | A   |

# SPERRY UNIVAC PARTS LIST

SPERRY UNIVAC IS A DIVISION OF SPERRY CORPORATION

MFG CODE

J, W

ISSUE DATE

81/01/06

CONTROL

W 777

DOC NO.

W4400619

PL

CLASS

B

SHEET

7

TITLE  
PC ASSEMBLY - OPTION BD DM357

PCC ADC PCD

COMM CODE

CA U/M EA ST TYPE

SIZE

CLASS

| FIND NO. | QUANTITY REQUIRED | U/M | PCC | PART OR IDENT NO. |      | EIR AND PART DESCRIPTION INFORMATION |      |                |                               | ECC | ST | CHG |
|----------|-------------------|-----|-----|-------------------|------|--------------------------------------|------|----------------|-------------------------------|-----|----|-----|
|          |                   |     |     | DOCUMENT NO.      | DASH |                                      |      |                |                               |     |    |     |
| 15       | 1                 | EA  |     | W4900348          | -00  | INTEGRATED CIRCUIT, DIGITAL          | CMOS | 6402           | UART                          |     |    | A   |
| 16       | 1                 | EA  |     | W4900182          | -00  | INTEGRATED CIRCUIT, DIGITAL          | TTL  | 74S113         | FF DUAL JK ET                 |     |    | A   |
| 17       | 1                 | EA  | I   | 3008182           | -00  | INTEGRATED CIRCUIT                   | TTL  | 7402           | * GT NOR 2IN                  |     |    | I   |
| 19       | 4                 | EA  | I   | 2899587           | -00  | INTEGRATED CIRCUIT DIGITAL           | TTL  | 74175          | * FF D QUAD                   |     |    | A   |
| 22       | 2                 | EA  |     | W4900175          | -00  | INTEGRATED CIRCUIT, DIGITAL          | TTL  | 82S62          | 9BT PARTY GEN                 |     |    | A   |
| 23       | 1                 | EA  | I   | 9001407           | -01  | INTEGRATED CIRCUIT DIGITAL           | TTL  | DEC BIN 1 OF 8 | BT                            | 0   |    | I   |
| 25       | 10                | EA  | I   | 5036515           | -00  | INTEGRATED CIRCUIT                   | TTLH | 74H00          | * GT NAND 2IN                 |     |    | I   |
| 26       | 7                 | EA  | I   | 2899571           | -00  | INTEGRATED CIRCUIT DIGITAL           | TTL  | 74S00          | * GT NAND 2IN                 |     |    | A   |
| 27       | 6                 | EA  | I   | 3013354           | -00  | INTEGRATED CIRCUIT                   | TTLH | 74H01          | * GT NAND 2IN                 |     |    | I   |
| 28       | 7                 | EA  | I   | 2899412           | -00  | INTEGRATED CIRCUIT LINEAR            | TTL  | 7403           | * GT NAND 2IN                 |     |    | A   |
| 30       | 4                 | EA  |     | 6558675           | -00  | INTEGRATED CIRCUIT                   |      |                |                               |     |    | A   |
| 34       | 9                 | EA  | I   | 2899573           | -00  | INTEGRATED CIRCUIT DIGITAL           | TTLH | 74H11          | * GT AND 3IN                  |     |    | I   |
| 35       | 1                 | EA  | I   | 3008089           | -00  | INTEGRATED CIRCUIT                   | TTL  | 7413           | * GT NAND 4IN                 |     |    | I   |
| 36       | 1                 | EA  | I   | 3008187           | -00  | INTEGRATED CIRCUIT                   | TTL  | 7420           | * GT NAND 4IN                 |     |    | I   |
| 37       | 7                 | EA  | I   | 3013355           | -00  | INTEGRATED CIRCUIT-IC192             | TTLH | 74H21          | * GT AND 4IN                  |     |    | I   |
| 38       | 1                 | EA  |     | 3013468           | -00  | INTEGRATED CIRCUIT - IC204           | TTLH | 74H30          | * GT NAND 8IN                 |     |    | I   |
| 39       | 16                | EA  |     | W4900128          | -01  | INTEGRATED CIRCUIT, DIGITAL          | TTL  | 7438           | QUAD 2IN NAND                 |     |    | I   |
| 42       | 3                 | EA  |     | W4900093          | -01  | INTEGRATED CIRCUIT, DIGITAL          | TTLH | 74H50          |                               |     |    | A   |
| 43       | 1                 | EA  | I   | 5036519           | -00  | INTEGRATED CIRCUIT DIGITAL           |      |                | 2, 2WIDE 2INPUT AND/OR INVERT |     |    | I   |
| 46       | 10                | EA  | I   | 3008194           | -00  | INTEGRATED CIRCUIT                   | TTL  | 7474           | * FF D DUAL                   |     |    | I   |
| 47       | 11                | EA  | I   | 5036157           | -00  | INTEGRATED CIRCUIT DIGITAL           |      |                | DUAL D TYPE EDGE TRIG. F=F    |     |    | A   |
| 48       | 2                 | EA  | I   | 3008195           | -00  | INTEGRATED CIRCUIT                   | TTL  | 7475           | * REG LATCH 4BT               |     |    | I   |
| 49       | 4                 | EA  | I   | 3006204           | -00  | INTEGRATED CIRCUIT - IC7             | TTL  | 7493           | * CNTR 4BT                    |     |    | I   |
| 50       | 3                 | EA  | I   | 9004321           | -01  | INTEGRATED CIRCUIT DIGITAL           | TTL  | FF 2 JK ET     | BT                            | 0   |    | I   |
| 51       | 2                 | EA  | I   | 3007952           | -00  | INTEGRATED CIRCUIT                   | TTL  | 74123          | * MVB DUAL RGT                |     |    | I   |

# UNIVAC PARTS LIST

SPERRY UNIVAC IS A DIVISION OF SPERRY CORPORATION

MFG CODE

J, W

ISSUE DATE

81/01/06

CONTROL

W 777

DOC NO.

PL

W4400619

AC

8

SHEET

8

TITLE  
PC ASSEMBLY - OPTION RD DM357

PCC ADC PCD

COMM CODE

CA U/M ST TYPE  
EA A M

SIZE

C

CLASS

A

| FIND NO. | QUANTITY REQUIRED | U/M | PCC | PART OR IDENT NO. |      | EIR AND PART DESCRIPTION INFORMATION                   |      |           |                            | ECC | ST | CHG |
|----------|-------------------|-----|-----|-------------------|------|--|------|-----------|----------------------------|-----|----|-----|
|          |                   |     |     | DOCUMENT NO.      | DASH |  |      |           |                            |     |    |     |
| 52       | 1                 | EA  | I   | 4915632           | -00  | INTEGRATED CIRCUIT                                     | TTL  | 74150     | MLPX 1 UF 16               |     |    | I   |
| 53       | 8                 | EA  |     | 2899585           | -00  | INTEGRATED CIRCUIT DIGITAL                             | TTL  | 74170     | * REG FILE 4X4             |     |    | A   |
| 54       | 3                 | EA  | I   | 3007845           | -00  | INTEGRATED CIRCUIT                                     | TTL  | 74193     | * CNTR 4BT U/D             |     |    | I   |
| 55       | 6                 | EA  |     | 2510193           | -00  | INTEGRATED CIRCUIT, DIGITAL                            |      |           |                            |     |    | I   |
| 56       | 2                 | EA  | I   | 3008031           | -00  | INTEGRATED CIRCUIT                                     | TTL  | 74122     | * MVB RGT W/C              |     |    | I   |
| 57       | 3                 | EA  |     | W4900010          | -00  | INTEGRATED CIRCUIT, DIGITAL                            | DTL  | 844       | * GT 2IN NAND              |     |    | A   |
| 58       | 14                | EA  | I   | 5036505           | -00  | INTEGRATED CIRCUIT                                     | TTLH | 74H08     | * GT AND 2IN               |     |    | I   |
| 59       | 3                 | EA  | I   | 5036522           | -00  | INTEGRATED CIRCUIT DIGITAL                             | TTL  | 3003      | * GT OR 2IN                |     |    | I   |
| 61       | 1                 | EA  |     | W8001000          | -04  | DELAY LINE   |      |           | 50.00NSEC TO 3TERM 390 OHM |     |    | A   |
|          |                   |     |     | REF DES ( 1)      |      | DL1,   |      |           |                            |     |    |     |
| 63       | 18                | EA  |     | W6502500          | 362  | RES, FXD, COMPOSITION, 1/4W, 5%                        |      | 3600 OHMS |                            |     |    | A   |
|          |                   |     |     | REF DES ( 1)      |      | R1-R18,  |      |           |                            |     |    |     |
| 64       | 4                 | EA  |     | W6502500          | 121  | RES, FXD, COMPOSITION, 1/4W, 5%                        |      | 120 OHMS  |                            |     |    | A   |
|          |                   |     |     | REF DES ( 1)      |      | R19-R21, R86,  |      |           |                            |     |    |     |
| 67       | 4                 | EA  |     | W7100004          | 101  | CAPACITOR, FIXED, CERAMIC DIELECTRIC 1.0 UF +80%, -20% |      |           |                            |     |    | A   |
|          |                   |     |     | REF DES ( 1)      |      | C1, C2, C8, C9,  |      |           |                            |     |    |     |
| 68       | 2                 | EA  |     | W6502500          | 123  | RES, FXD, COMPOSITION, 1/4W, 5%                        |      | 12K       |                            |     |    | A   |
|          |                   |     |     | REF DES ( 1)      |      | R31, R56,  |      |           |                            |     |    |     |
| 69       | 28                | EA  |     | W6502500          | 471  | RES, FXD, COMPOSITION, 1/4W, 5%                        |      | 470 OHMS  |                            |     |    | A   |
|          |                   |     |     | REF DES ( 1)      |      | R22, R23, R34, R27-R30, ( 2) R39, R62-R78, R57, R58,   |      |           |                            |     |    |     |
|          |                   |     |     | REF DES ( 3)      |      | R80,   |      |           |                            |     |    |     |
| 72       | 1                 | EA  |     | W6502500          | 182  | RES, FXD, COMPOSITION, 1/4W, 5%                        |      | 1800 OHMS |                            |     |    | A   |
|          |                   |     |     | REF DES ( 1)      |      | R37,   |      |           |                            |     |    |     |
| 73       | 23                | EA  |     | W6502500          | 102  | RES, FXD, COMPOSITION, 1/4W, 5%                        |      | 1000 OHMS |                            |     |    | A   |
|          |                   |     |     | REF DES ( 1)      |      | R24, R33, R35, R36, R38, ( 2) R41, R43, R45, R47, R48, |      |           |                            |     |    |     |

**SPERRY UNIVAC PARTS LIST**

SPERRY UNIVAC IS A DIVISION OF SPERRY CORPORATION

MFG CODE

J, W

ISSUE DATE

81/01/06

CONTROL

W 777

DOC NO.

W4400619

AC

B

SHEET

9

TITLE  
**PC ASSEMBLY - OPTION BD DM357**

PCC

ADC

PCD

COMM CODE

CA

U/M

EA

ST

A

TYPE

M

SIZE

C

CLASS

A

| FIND NO. | QUANTITY REQUIRED | U/M | PCC | PART OR IDENT NO.             |   | EIR AND PART DESCRIPTION INFORMATION | ECC | ST | CHG |
|----------|-------------------|-----|-----|-------------------------------|---|--------------------------------------|-----|----|-----|
|          |                   |     |     | DOCUMENT NO.                  | DASH  |                                      |     |    |     |
| 74       | 1                 | EA  |     | REF DES ( 3 )<br>W6502500 303 | R60,R61,R87-R90,R83, ( 4 ) R95,R96,R98-R101,<br>RES,FXD,COMPOSITION,1/4W,5% 30K |                                      |     | A  |     |
| 75       | 1                 | EA  |     | REF DES ( 1 )<br>W6502500 223 | R42,<br>RES,FXD,COMPOSITION,1/4W,5% 22K   |                                      |     | A  |     |
| 76       | 1                 | EA  |     | REF DES ( 1 )<br>W6502500 203 | R44,<br>RES,FXD,COMPOSITION,1/4W,5% 20K   |                                      |     | A  |     |
| 77       | 2                 | EA  |     | REF DES ( 1 )<br>W6502500 151 | R46,<br>RES,FXD,COMPOSITION,1/4W,5% 150 OHMS                                    |                                      |     | A  |     |
| 78       | 1                 | EA  |     | REF DES ( 1 )<br>W6502500 513 | R32,R49,<br>RES,FXD,COMPOSITION,1/4W,5% 51K                                     |                                      |     | A  |     |
| 79       | 1                 | EA  |     | REF DES ( 1 )<br>W6502500 512 | R50,<br>RES,FXD,COMPOSITION,1/4W,5% 5100 OHMS                                   |                                      |     | A  |     |
| 80       | 2                 | EA  |     | REF DES ( 1 )<br>W6502010 202 | R92,<br>RESISTOR, FIXED, COMPOSITION 2 K 5% 2W                                  |                                      |     | A  |     |
| 81       | 1                 | EA  |     | REF DES ( 1 )<br>W6501010 471 | R51,R55,<br>RESISTOR, FIXED, COMPOSITION 470 OHMS 5% 1W                         |                                      |     | A  |     |
| 82       | 1                 | EA  |     | REF DES ( 1 )<br>W6501010 101 | R53,<br>RESISTOR, FIXED, COMPOSITION 100 OHMS 5% 1W                             |                                      |     | A  |     |
| 84       | 1                 | EA  |     | REF DES ( 1 )<br>W6502500 391 | R52,<br>RES,FXD,COMPOSITION,1/4W,5% 390 OHMS                                    |                                      |     | A  |     |
| 85       | 1                 | EA  | C   | REF DES ( 1 )<br>4916657 -06  | R59,<br>CAP FXD CER DIEL 50V +80 - 20% 100K PF                                  |                                      |     | A  |     |
| 86       | 1                 | EA  |     | REF DES ( 1 )<br>W7100352 154 | C4,<br>CAPACITUR, FIXED, TANT DIEL 35V 10% 150 PF                               |                                      |     | A  |     |
|          |                   |     |     | REF DES ( 1 )<br>C3,          |   |                                      |     | A  |     |

# SPERRY UNIVAC PARTS LIST

SPERRY UNIVAC IS A DIVISION OF SPERRY CORPORATION

MFG CODE

J, W

ISSUE DATE

81/01/06

CONTROL

W 777

DOC NO.

PL

W4400619

AC

R

SHEET

10

TITLE  
**PC ASSEMBLY - OPTION 8D DM357**

PCC ADC PCD

COMM CODE

CA U/M ST TYPE  
EA A M

SIZE  
C

CLASS  
A

| FIND NO. | QUANTITY REQUIRED | U/M | PCC | PART OR IDENT NO. |      | EIR AND PART DESCRIPTION INFORMATION                   |                            |        |       |        | ECC  | ST     | CHG |
|----------|-------------------|-----|-----|-------------------|------|--|----------------------------|--------|-------|--------|------|--------|-----|
|          |                   |     |     | DOCUMENT NO.      | DASH |  |                            |        |       |        |      |        |     |
| 87       | 1                 | EA  |     | W6901500          | 221  | CAPACITOR, FIXED, MICA DIELECTRIC                      | 500V                       | 5%     | 220   | PF     |      |        | A   |
|          |                   |     |     | REF DES           | ( 1) | C5,  |                            |        |       |        |      |        |     |
| 88       | 1                 | EA  |     | W6901500          | 151  | CAPACITOR, FIXED, MICA DIELECTRIC                      | 500V                       | 5%     | 150   | PF     |      |        | A   |
|          |                   |     |     | REF DES           | ( 1) | C6,  |                            |        |       |        |      |        |     |
| 89       | 1                 | EA  |     | W6901500          | 330  | CAPACITOR, FIXED, MICA DIELECTRIC                      | 500V                       | 5%     | 33    | PF     |      |        | A   |
|          |                   |     |     | REF DES           | ( 1) | C7,  |                            |        |       |        |      |        |     |
| 90       | 65                | EA  |     | 6630012           | -05  | CAPACITOR, FIXED, CERAMIC DIELECTRIC                   | .010 UF, 50VDC, +80%, -20% |        |       |        |      |        | A   |
|          |                   |     |     | REF DES           | ( 1) | C12, C15, C16, C19, C21, ( 2) C23, C25-C27, C29, C31,  |                            |        |       |        |      |        |     |
|          |                   |     |     | REF DES           | ( 3) | C32, C34-C36, C40, C43- ( 4) C45, C47, C49, C51, C53,  |                            |        |       |        |      |        |     |
|          |                   |     |     | REF DES           | ( 5) | C55, C57, C59, C63, C64, ( 6) C66, C67, C70, C71, C75, |                            |        |       |        |      |        |     |
|          |                   |     |     | REF DES           | ( 7) | C76-C80, C83-C85, C87, ( 8) C91-C93, C95, C98, C101-   |                            |        |       |        |      |        |     |
|          |                   |     |     | REF DES           | ( 9) | C104, C106, C109-C111, (10) C113, C114, C116, C117,    |                            |        |       |        |      |        |     |
|          |                   |     |     | REF DES           | (11) | C119, C122, C124-C126, (12) C128,                      |                            |        |       |        |      |        |     |
| 92       | 2                 | EA  |     | W7701017          | -00  | SEMICONDUCTOR DEVICE, DIODE                            | 200MA                      |        |       |        |      |        | A   |
|          |                   |     |     | REF DES           | ( 1) | CR1, CR2,  |                            |        |       |        |      |        |     |
| 93       | 2                 | EA  | D   | 2899056           | -00  | SEMICONDUCTOR DEVICE DIODE                             | SILICON POWER              | 1N4003 |       |        |      |        | A   |
|          |                   |     |     | REF DES           | ( 1) | CR3, CR4,  |                            |        |       |        |      |        |     |
| 94       | 1                 | EA  |     | W7600019          | -00  | TRANSISTOR   | PNP VCB0                   | 150V   | 5.6MW | BETA20 |      |        | A   |
|          |                   |     |     | REF DES           | ( 1) | Q1,  |                            |        |       |        |      |        |     |
| 96       | 1                 | EA  |     | W4800007          | -00  | RESISTOR NETWORK, FIXED                                | 28ELEM                     | 1.5 W  | 2%    | 200AND | 300  |        | A   |
| 100      | 4                 | EA  | I   | 5036504           | -00  | INTEGRATED CIRCUIT DIGITAL                             | TTL                        | 74S04  | *     | GT     | HEX  | INVERT | A   |
| 101      | 20                | EA  | I   | 3007755           | -00  | INTEGRATED CIRCUIT                                     | TTL                        | 74H04  | *     | GT     | HEX  | INVERT | I   |
| 102      | 2                 | EA  | I   | 3008186           | -00  | INTEGRATED CIRCUIT                                     | TTL                        | 7410   | *     | GT     | NAND | 3IN    | I   |
| 103      | 3                 | EA  | I   | 5036146           | -00  | INTEGRATED CIRCUIT DIGITAL                             | TTL                        | 74S74  | *     | FF     | DUAL | D      | A   |
| 104      | 1                 | EA  | I   | 9004633           | -01  | INTEGRATED CIRCUIT DIGITAL                             | TTL                        | 74S112 | *     | FF     | DUAL | JK     | A   |



MAINI. U LE NO. 8 220  
**SPERRY UNIVAC PARTS LIST**

SPERRY UNIVAC IS A DIVISION OF SPERRY CORPORATION

|                  |                        |                  |                               |               |
|------------------|------------------------|------------------|-------------------------------|---------------|
| MFG CODE<br>J, W | ISSUE DATE<br>81/01/06 | CONTROL<br>W 777 | DOC NO.<br><b>PL</b> W4400619 | SHEET<br>8 11 |
|------------------|------------------------|------------------|-------------------------------|---------------|

|  |     |     |     |           |    |           |         |           |           |            |
|--|-----|-----|-----|-----------|----|-----------|---------|-----------|-----------|------------|
| TITLE<br>PC ASSEMBLY - OPTION BU DM357 | PCC | ADC | PCD | COMM CODE | CA | U/M<br>EA | ST<br>A | TYPE<br>M | SIZE<br>C | CLASS<br>A |
|--|-----|-----|-----|-----------|----|-----------|---------|-----------|-----------|------------|

| FIND NO. | QUANTITY REQUIRED | U/M | PCC | PART OR IDENT NO. |      | EIR AND PART DESCRIPTION INFORMATION                   | ECC | ST | CHG |
|----------|-------------------|-----|-----|-------------------|------|--|-----|----|-----|
|          |                   |     |     | DOCUMENT NO.      | DASH |  |     |    |     |
| 108      | 250               | EA  |     | W5800062          | -09  | CONTACT ELECTRICAL, WIRE WARP PLATING, GOLD            |     |    | A   |
| 110      | 1                 | EA  |     | W5700296          | -00  | CONNECTOR, RECTANGULAR, ELEC 9 FIXED SOCKETS RECP      |     |    | A   |
|          |                   |     |     | REF DES ( 1)      | J8,  |  |     |    |     |
| 113      | 71                | EA  |     | W2600038          | -00  | CLIP, RETAINING .006 THK, BERYLLIUM COPPER             |     |    | A   |
| 114      | 1                 | EA  |     | W7800108          | -00  | SWITCH, TOGGLE, LEVER 2 POSITION                       |     |    | A   |
|          |                   |     |     | REF DES ( 1)      | S1,  |  |     |    |     |
| 115      | 1                 | EA  |     | W5800189          | -00  | CONNECTOR, COAXIAL, ELECTRICAL 1000 VOLTS, 50 OHMS     |     |    | A   |
|          |                   |     |     | REF DES ( 1)      | TP1, |  |     |    |     |
| 116      | 2                 | EA  |     | W5700296          | -02  | CONNECTOR, RECTANGULAR, ELEC BRACKET                   |     |    | A   |
| 119      | AR                | IN  |     | W5400001          | 124  | INSULATION SLEEVING, ELEC SIZE 24 BLACK .022 ID        |     |    | A   |
| 120      | 2                 | EA  |     | W2100062          | -01  | SCREW, MACH, PAN HEAD STL PASS XREC 2-56 .180          |     |    | A   |
| 121      | 2                 | EA  |     | W2202560          | -01  | WASHER, FLAT SST PASS,025THK .089ID .2190D             |     |    | A   |
| 122      | 2                 | EA  |     | W2202561          | -02  | WASHER, LOCK, FLAT NO. 2                               |     |    | A   |
| 126      | 1                 | EA  |     | W6502500          | 103  | RES,FXD,COMPOSITION,1/4W,5% 10K                        |     |    | A   |
|          |                   |     |     | REF DES ( 1)      | R91, |  |     |    |     |
| 127      | 1                 | EA  |     | W6501010          | 331  | RESISTOR, FIXED, COMPOSITION 330 OHMS 5% 1W            |     |    | A   |
|          |                   |     |     | REF DES ( 1)      | R94, |  |     |    |     |
| 134      | 1                 | EA  |     | W4900169          | -01  | INTEGRATED CIRCUIT,DIGITAL TTLS. 74874 * FF D SELECTED |     |    | I   |
| 135      | 1                 | EA  |     | W8600053          | -02  | LABEL, IDENTIFICATION TTY CRT 700 RED LTR WHT BKGD     |     |    | A   |
| 136      | AR                | IN  |     | W5300333          | -90  | WIRE, ELEC 30SLD 300V PVD WHT                          |     |    | A   |
| *****    | *****             | *** | *   | *****             | **** | SEE TABULATION ON DRAWING VAR DATA PART - 02 *****     |     |    | A   |
| 2        | 4                 | EA  | I   | 5036516           | -00  | INTEGRATED CIRCUIT DIGITAL TTLS 74810 * GT NAND 3IN    |     |    | A   |
| 3        | 10                | EA  | I   | 5036506           | -00  | INTEGRATED CIRCUIT TTLS 74811 * GT AND 3IN             |     |    | A   |
| 4        | 3                 | EA  | I   | 2892079           | -00  | INTEGRATED CIRCUIT DIGITAL TTLS 74820 * GT NAND 4IN    |     |    | A   |
| 6        | 2                 | EA  | I   | 2892081           | -00  | INTEGRATED CIRCUIT DIGITAL TTLS 74864 * GT AOI         |     |    | A   |

**SPERRY UNIVAC PARTS LIST**

SPERRY UNIVAC IS A DIVISION OF SPERRY CORPORATION

MFG CODE  
J, W

ISSUE DATE

81/01/06

CONTROL

W 777

DOC NO.

PL

W4400619

AC

8

SHEET

12

TITLE  
**PC ASSEMBLY - OPTION BD DM357**

PCC

ADC

PCD

COMM CODE

CA

U/M

ST

A

TYPE

M

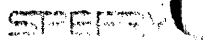
SIZE

C

CLASS

A

| FIND NO. | QUANTITY REQUIRED | U/M | PCC | PART OR IDENT NO. |      | EIR AND PART DESCRIPTION INFORMATION                     | ECC | ST | CHG |
|----------|-------------------|-----|-----|-------------------|------|--|-----|----|-----|
|          |                   |     |     | DOCUMENT NO.      | DASH |  |     |    |     |
| 8        | 13                | EA  | I   | 9004323           | -01  | INTEGRATED CIRCUIT DIGITAL TTL FF 2 JK ET BT             | 0   | I  |     |
| 9        | 3                 | EA  |     | W4900171          | -00  | INTEGRATED CIRCUIT DIGITAL TTLS 748114 FF JK DUAL ET     |     | A  |     |
| 12       | 1                 | EA  |     | W4900151          | -00  | INTEGRATED CIRCUIT, DIGITAL TTL 93H72 REG SHF 4BT        |     | A  |     |
| 13       | 7                 | EA  |     | 5036524           | -00  | INTEGRATED CIRCUIT DIGITAL TTL 3404 * FF LATCH 6BT       |     | I  |     |
| 14       | 2                 | EA  |     | W4800005          | -00  | OPOELECTRONIC COUPLER PLASTIC                            |     | A  |     |
| 15       | 1                 | EA  |     | W4900348          | -00  | INTEGRATED CIRCUIT, DIGITAL CMOS 6402 UART               |     | A  |     |
| 16       | 1                 | EA  |     | W4900182          | -00  | INTEGRATED CIRCUIT, DIGITAL TTLS 74S113 FF DUAL JK ET    |     | A  |     |
| 17       | 1                 | EA  | I   | 3008182           | -00  | INTEGRATED CIRCUIT TTL 7402 * GT NOR 2IN                 |     | I  |     |
| 19       | 4                 | EA  | I   | 2899587           | -00  | INTEGRATED CIRCUIT DIGITAL TTL 74175 * FF D QUAD         |     | A  |     |
| 21       | 16                | EA  |     | W4900176          | -00  | INTEGRATED CIRCUIT, DIGITAL TTL 75122 LN RECEIVER        |     | A  |     |
| 22       | 2                 | EA  |     | W4900175          | -00  | INTEGRATED CIRCUIT, DIGITAL TTL 82862 9BT PARTY GEN      |     | A  |     |
| 23       | 1                 | EA  | I   | 9001407           | -01  | INTEGRATED CIRCUIT DIGITAL TTL DEC BIN 1 OF 8 BT         | 0   | I  |     |
| 25       | 12                | EA  | I   | 5036515           | -00  | INTEGRATED CIRCUIT TTLH 74H00 * GT NAND 2IN              |     | I  |     |
| 26       | 10                | EA  | I   | 2899571           | -00  | INTEGRATED CIRCUIT DIGITAL TTLS 74800 * GT NAND 2IN      |     | A  |     |
| 27       | 6                 | EA  | I   | 3013354           | -00  | INTEGRATED CIRCUIT TTLH 74H01 * GT NAND 2IN              |     | I  |     |
| 28       | 7                 | EA  | I   | 2899412           | -00  | INTEGRATED CIRCUIT LINEAR TTL 7403 * GT NAND 2IN         |     | A  |     |
| 30       | 4                 | EA  |     | 6558675           | -00  | INTEGRATED CIRCUIT                                       |     | A  |     |
| 34       | 9                 | EA  | I   | 2899573           | -00  | INTEGRATED CIRCUIT DIGITAL TTLH 74H11 * GT AND 3IN       |     | I  |     |
| 35       | 1                 | EA  | I   | 3008089           | -00  | INTEGRATED CIRCUIT TTL 7413 * GT NAND 4IN                |     | I  |     |
| 36       | 1                 | EA  | I   | 3008187           | -00  | INTEGRATED CIRCUIT TTL 7420 * GT NAND 4IN                |     | I  |     |
| 37       | 8                 | EA  | I   | 3013355           | -00  | INTEGRATED CIRCUIT-IC192 TTLH 74H21 * GT AND 4IN         |     | I  |     |
| 38       | 1                 | EA  |     | 3013468           | -00  | INTEGRATED CIRCUIT - IC204 TTLH 74H30 * GT NAND 8IN      |     | I  |     |
| 39       | 34                | EA  |     | W4900128          | -01  | INTEGRATED CIRCUIT, DIGITAL TTL 7438 QUAD 2IN NAND       |     | I  |     |
| 42       | 3                 | EA  |     | W4900093          | -01  | INTEGRATED CIRCUIT, DIGITAL TTLH 74H50                   |     | A  |     |
| 43       | 1                 | EA  | I   | 5036519           | -00  | INTEGRATED CIRCUIT DIGITAL 2, 2WIDE 2INPUT AND/OR INVERT |     | I  |     |



# UNIVAC PARTS LIST

SPERRY UNIVAC IS A DIVISION OF SPERRY CORPORATION

MFG CODE

J, W

ISSUE DATE

81/01/06

CONTROL

W 777

PL

DOC NO.

W4400619

SHEET

8 13

TITLE  
PC ASSEMBLY - OPTION 80 DM357

PCC ADC PCD

COMM CODE

CA U/M ST TYPE

SIZE CLASS

| FIND NO. | QUANTITY REQUIRED | U/M | PCC | PART OR IDENT NO. |      | EIR AND PART DESCRIPTION INFORMATION                   | ECC | ST | CHG |
|----------|-------------------|-----|-----|-------------------|------|--|-----|----|-----|
|          |                   |     |     | DOCUMENT NO.      | DASH |  |     |    |     |
| 44       | 1                 | EA  | I   | 9004329           | -01  | INTEGRATED CIRCUIT DIGITAL TTL GT 2-2-2-3 AUXI         | 0   | I  |     |
| 46       | 10                | EA  | I   | 3008194           | -00  | INTEGRATED CIRCUIT TTL 7474 * FF D DUAL                |     | I  |     |
| 47       | 11                | EA  | I   | 5036157           | -00  | INTEGRATED CIRCUIT DIGITAL DUAL D TYPE EDGE TRIG, F=F  |     | A  |     |
| 48       | 2                 | EA  | I   | 3008195           | -00  | INTEGRATED CIRCUIT TTL 7475 * REG LATCH 4BT            |     | I  |     |
| 49       | 4                 | EA  | I   | 3006204           | -00  | INTEGRATED CIRCUIT - IC7 TTL 7493 * CNTR 4BT           |     | I  |     |
| 50       | 6                 | EA  | I   | 9004321           | -01  | INTEGRATED CIRCUIT DIGITAL TTL FF 2 JK ET BT           | 0   | I  |     |
| 51       | 2                 | EA  | I   | 3007952           | -00  | INTEGRATED CIRCUIT TTL 74123 * MVB DUAL RGT            |     | I  |     |
| 52       | 1                 | EA  | I   | 4915632           | -00  | INTEGRATED CIRCUIT TTL 74150 MLPX 1 OF 16              |     | I  |     |
| 53       | 8                 | EA  |     | 2899585           | -00  | INTEGRATED CIRCUIT DIGITAL TTL 74170 * REG FILE 4X4    |     | A  |     |
| 54       | 3                 | EA  | I   | 3007845           | -00  | INTEGRATED CIRCUIT TTL 74193 * CNTR 4BT U/D            |     | I  |     |
| 55       | 6                 | EA  |     | 2510193           | -00  | INTEGRATED CIRCUIT, DIGITAL                            |     | I  |     |
| 56       | 2                 | EA  | I   | 3008031           | -00  | INTEGRATED CIRCUIT TTL 74122 * MVB RGT W/C             |     | I  |     |
| 57       | 3                 | EA  |     | W4900010          | -00  | INTEGRATED CIRCUIT, DIGITAL DTL 844 * GT 2IN NAND      |     | A  |     |
| 58       | 16                | EA  | I   | 5036505           | -00  | INTEGRATED CIRCUIT TTLH 74H08 * GT AND 2IN             |     | I  |     |
| 59       | 3                 | EA  | I   | 5036522           | -00  | INTEGRATED CIRCUIT DIGITAL TTL 3003 * GT OR 2IN        |     | I  |     |
| 60       | 3                 | EA  | I   | 2899586           | -00  | INTEGRATED CIRCUIT DIGITAL TTL 74174 * FF HEX D        |     | A  |     |
| 61       | 2                 | EA  |     | W8001000          | -04  | DELAY LINE 30,00NSEC TD 3TERM 390 OHM                  |     | A  |     |
|          |                   |     |     | REF DES ( 1)      |      | DL1, DL2,  |     |    |     |
| 63       | 18                | EA  |     | W6502500          | 362  | RES, FXD, COMPOSITION, 1/4W, 5% 3600 OHMS              |     | A  |     |
|          |                   |     |     | REF DES ( 1)      |      | R1-R18,  |     |    |     |
| 64       | 4                 | EA  |     | W6502500          | 121  | RES, FXD, COMPOSITION, 1/4W, 5% 120 OHMS               |     | A  |     |
|          |                   |     |     | REF DES ( 1)      |      | R19-R21, R86,  |     |    |     |
| 67       | 4                 | EA  |     | W7100004          | 101  | CAPACITOR, FIXED, CERAMIC DIELECTRIC 1.0 UF +80%, -20% |     | A  |     |
|          |                   |     |     | REF DES ( 1)      |      | C1, C2, C8, C9,  |     |    |     |
| 68       | 2                 | EA  |     | W6502500          | 123  | RES, FXD, COMPOSITION, 1/4W, 5% 12K                    |     | A  |     |

# SPERRY UNIVAC PARTS LIST

SPERRY UNIVAC IS A DIVISION OF SPERRY CORPORATION

MFG CODE

J, W

ISSUE DATE

81/01/06

CONTROL

W 777

DOC NO.

PL

W4400619

AC

8

SHEET

14

TITLE

PC ASSEMBLY - OPTION HD DM357

PCC

ADC

PCD

COMM CODE

CA

U/M

ST

TYPE

SIZE

CLASS

EA

A

M

C

A

| FIND NO. | QUANTITY REQUIRED | U/M | PCC | PART OR IDENT NO.         |      | EIR AND PART DESCRIPTION INFORMATION   | ECC | ST | CHG |
|----------|-------------------|-----|-----|---------------------------|------|--|-----|----|-----|
|          |                   |     |     | DOCUMENT NO.              | DASH |  |     |    |     |
| 69       | 30                | EA  |     | REF DES ( 1 )<br>W6502500 | 471  | R31, R56,<br>RES, FXD, COMPOSITION, 1/4W, 5% 470 OHMS  |     |    | A   |
| 72       | 1                 | EA  |     | REF DES ( 1 )<br>W6502500 | 182  | R22, R23, R34, R27-R30, ( 2 ) R39, R62, R63-R81, R57,<br>RES, FXD, COMPOSITION, 1/4W, 5% 1800 OHMS |     |    | A   |
| 73       | 24                | EA  |     | REF DES ( 3 )<br>W6502500 | 102  | R58,<br>RES, FXD, COMPOSITION, 1/4W, 5% 1000 OHMS  |     |    | A   |
| 74       | 1                 | EA  |     | REF DES ( 1 )<br>W6502500 | 303  | R24, R33, R35, R36, R38, ( 2 ) R41, R43, R45, R47, R48,<br>RES, FXD, COMPOSITION, 1/4W, 5% 30K     |     |    | A   |
| 75       | 1                 | EA  |     | REF DES ( 1 )<br>W6502500 | 223  | R60, R61, R87-R90, R83, ( 4 ) R95-R101,<br>RES, FXD, COMPOSITION, 1/4W, 5% 22K                     |     |    | A   |
| 76       | 1                 | EA  |     | REF DES ( 1 )<br>W6502500 | 203  | R42,<br>RES, FXD, COMPOSITION, 1/4W, 5% 20K  |     |    | A   |
| 77       | 2                 | EA  |     | REF DES ( 1 )<br>W6502500 | 151  | R46,<br>RES, FXD, COMPOSITION, 1/4W, 5% 150 OHMS   |     |    | A   |
| 78       | 1                 | EA  |     | REF DES ( 1 )<br>W6502500 | 513  | R32, R49,<br>RES, FXD, COMPOSITION, 1/4W, 5% 51K   |     |    | A   |
| 79       | 1                 | EA  |     | REF DES ( 1 )<br>W6502500 | 512  | R50,<br>RES, FXD, COMPOSITION, 1/4W, 5% 5100 OHMS  |     |    | A   |
| 80       | 2                 | EA  |     | REF DES ( 1 )<br>W6502010 | 202  | R92,<br>RESISTOR, FIXED, COMPOSITION 2 K 5% 2W   |     |    | A   |
| 81       | 1                 | EA  |     | REF DES ( 1 )<br>W6501010 | 471  | R51, R55,<br>RESISTOR, FIXED, COMPOSITION 470 OHMS 5% 1W   |     |    | A   |
|          |                   |     |     | REF DES ( 1 )             |      | R53,   |     |    |     |

UNIVAC PARTS LIST

MFG CODE J, W

SPERRY UNIVAC IS A DIVISION OF SPERRY CORPORATION

ISSUE DATE  
81/01/06

CONTROL  
W 777

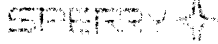
PL  
DOC NO.  
W4400619

SHEET  
8 15

PC ASSEMBLY - OPTION BD DM357

|     |     |     |           |    |           |         |           |           |            |
|-----|-----|-----|-----------|----|-----------|---------|-----------|-----------|------------|
| PCC | ADC | PCD | COMM CODE | CA | U/M<br>EA | ST<br>A | TYPE<br>M | SIZE<br>C | CLASS<br>A |
|-----|-----|-----|-----------|----|-----------|---------|-----------|-----------|------------|

| FIND NO. | QUANTITY REQUIRED | U/M | PCC | PART OR IDENT NO. |  | EIR AND PART DESCRIPTION INFORMATION                   | ECC | ST | CHG |
|----------|-------------------|-----|-----|-------------------|--|--|-----|----|-----|
|          |                   |     |     | DOCUMENT NO.      | DASH   |  |     |    |     |
| 82       | 1                 | EA  |     | W6501010          | 101  | RESISTOR, FIXED, COMPOSITION 100 OHMS 5% 1W            |     |    | A   |
|          |                   |     |     | REF DES (1)       | R52,   |  |     |    |     |
| 84       | 2                 | EA  |     | W6502500          | 391  | RES,FXD,COMPOSITION,1/4W,5% 390 OHMS                   |     |    | A   |
|          |                   |     |     | REF DES (1)       | R59,R82,                                       |  |     |    |     |
| 85       | 1                 | EA  | C   | 4916657           | -06  | CAP FXD CER DIEL 50V +80 - 20% 100K PF                 |     |    | A   |
|          |                   |     |     | REF DES (1)       | C4,  |  |     |    |     |
| 86       | 1                 | EA  |     | W7100352          | 154  | CAPACITOR, FIXED, TANT DIEL 35V 10% 150 PF             |     |    | A   |
|          |                   |     |     | REF DES (1)       | C3,  |  |     |    |     |
| 87       | 1                 | EA  |     | W6901500          | 221  | CAPACITOR, FIXED, MICA DIEL 500V 5% 220 PF             |     |    | A   |
|          |                   |     |     | REF DES (1)       | C5,  |  |     |    |     |
| 88       | 1                 | EA  |     | W6901500          | 151  | CAPACITOR, FIXED, MICA DIEL 500V 5% 150 PF             |     |    | A   |
|          |                   |     |     | REF DES (1)       | C6,  |  |     |    |     |
| 89       | 1                 | EA  |     | W6901500          | 330  | CAPACITOR, FIXED, MICA DIEL 500V 5% 33 PF              |     |    | A   |
|          |                   |     |     | REF DES (1)       | C7,  |  |     |    |     |
| 90       | 65                | EA  |     | 6630012           | -05  | CAPACITOR, FIXED, CERAMIC DIEL .010 UF,50VDC,+80%,-20% |     |    | A   |
|          |                   |     |     | REF DES (1)       | C12,C15,C16,C19,C21, (2) C23,C25-C27,C29,C31,  |  |     |    |     |
|          |                   |     |     | REF DES (3)       | C32,C34-C36,C40,C43- (4) C45,C47,C49,C51,C53,  |  |     |    |     |
|          |                   |     |     | REF DES (5)       | C55,C57,C59,C63,C64, (6) C66,C67,C70,C71,C75-  |  |     |    |     |
|          |                   |     |     | REF DES (7)       | C80,C83-C85,C87,C91- (8) C93,C95,C98,C101-     |  |     |    |     |
|          |                   |     |     | REF DES (9)       | C104,C106,C109-C111, (10) C113,C114,C116,C117, |  |     |    |     |
|          |                   |     |     | REF DES (11)      | C119,C122,C124-C126, (12) C128,                |  |     |    |     |
| 92       | 2                 | EA  |     | W7701017          | -00  | SEMICONDUCTOR DEVICE, DIODE 200MA                      |     |    | A   |
|          |                   |     |     | REF DES (1)       | CR1,CR2,                                       |  |     |    |     |
| 93       | 2                 | EA  | D   | 2899056           | -00  | SEMICONDUCTOR DEVICE DIODE SILICON POWER 1N4003        |     |    | A   |
|          |                   |     |     | REF DES (1)       | CR3,CR4,                                       |  |     |    |     |



# UNIVAC PARTS LIST

MFG CODE  
J, W

ISSUE DATE

81/01/06

CONTROL

W 777

DOC NO.

PL

W4400619

AC

8

SHEET

16

SPERRY UNIVAC IS A DIVISION OF SPERRY CORPORATION

|  |  |  |  |     |     |     |           |    |           |         |           |           |            |
|--|--|--|--|-----|-----|-----|-----------|----|-----------|---------|-----------|-----------|------------|
| TITLE<br>PC ASSEMBLY - OPTION MD DM357 |  |  |  | PCC | ADC | PCD | COMM CODE | CA | U/M<br>EA | ST<br>A | TYPE<br>M | SIZE<br>C | CLASS<br>A |
|--|--|--|--|-----|-----|-----|-----------|----|-----------|---------|-----------|-----------|------------|

| FIND NO. | QUANTITY REQUIRED | U/M  | PCC | PART OR IDENT NO. |      | EIR AND PART DESCRIPTION INFORMATION                  | ECC | ST | CHG |
|----------|-------------------|------|-----|-------------------|------|---|-----|----|-----|
|          |                   |      |     | DOCUMENT NO.      | DASH |   |     |    |     |
| 94       | 1                 | EA   |     | W7600019          | -00  | TRANSISTOR PNP VC80 150V 5.6MW BETA20                 |     |    | A   |
|          |                   |      |     | REF DES ( 1)      |      | Q1,   |     |    |     |
| 96       | 5                 | EA   |     | W4800007          | -00  | RESISTOR NETWORK, FIXED 28ELEM1.5 W 2% 200AND 300     |     |    | A   |
| 100      | 5                 | EA I |     | 5036504           | -00  | INTEGRATED CIRCUIT DIGITAL TTLS 74S04 * GT HEX INVERT |     |    | A   |
| 101      | 24                | EA I |     | 3007755           | -00  | INTEGRATED CIRCUIT TTLH 74H04 * GT HEX INVERT         |     |    | I   |
| 102      | 2                 | EA I |     | 3008186           | -00  | INTEGRATED CIRCUIT TTL 7410 * GT NAND 3IN             |     |    | I   |
| 103      | 6                 | EA I |     | 5036146           | -00  | INTEGRATED CIRCUIT DIGITAL TTLS 74S74 * FF DUAL D     |     |    | A   |
| 104      | 2                 | EA I |     | 9004633           | -01  | INTEGRATED CIRCUIT DIGITAL TTLS 74S112 * FF DUAL JK   |     |    | A   |
| 108      | 267               | EA   |     | W5800062          | -09  | CONTACT ELECTRICAL, WIRE WARP PLATING, GOLD           |     |    | A   |
| 109      | 2                 | EA   |     | W5700295          | -00  | CONN, PRINTED CIRCUIT, ELEC SLDR MTD 40 FIXED PINS    |     |    | A   |
|          |                   |      |     | REF DES ( 1)      |      | J7A, J7B,   |     |    |     |
| 110      | 1                 | EA   |     | W5700296          | -00  | CONNECTOR, RECTANGULAR, ELEC 9 FIXED SOCKETS RECP     |     |    | A   |
|          |                   |      |     | REF DES ( 1)      |      | J8,   |     |    |     |
| 113      | 76                | EA   |     | W2600038          | -00  | CLIP, RETAINING .006 THK, BERYLLIUM COPPER            |     |    | A   |
| 114      | 1                 | EA   |     | W7800108          | -00  | SWITCH, TOGGLE, LEVER 2 POSITION                      |     |    | A   |
|          |                   |      |     | REF DES ( 1)      |      | S1,   |     |    |     |
| 115      | 1                 | EA   |     | W5800189          | -00  | CONNECTOR, COAXIAL, ELECTRICAL 1000 VOLTS, 50 OHMS    |     |    | A   |
|          |                   |      |     | REF DES ( 1)      |      | TP1,  |     |    |     |
| 116      | 2                 | EA   |     | W5700296          | -02  | CONNECTOR, RECTANGULAR, ELEC BRACKET                  |     |    | A   |
| 119      | AR                | IN   |     | W5400001          | 124  | INSULATION SLEEVING, ELEC SIZE 24 BLACK .022 ID       |     |    | A   |
| 120      | 2                 | EA   |     | W2100062          | -01  | SCREW, MACH, PAN HEAD STL PASS XREC 2-56 .180         |     |    | A   |
| 121      | 2                 | EA   |     | W2202560          | -01  | WASHER, FLAT SST PASS .025THK .089ID .219UD           |     |    | A   |
| 122      | 2                 | EA   |     | W2202561          | -02  | WASHER, LOCK, FLAT NO. 2                              |     |    | A   |
| 126      | 1                 | EA   |     | W6502500          | 103  | RES, FXD, COMPOSITION, 1/4W, 5% 10K                   |     |    | A   |
|          |                   |      |     | REF DES ( 1)      |      | R91,  |     |    |     |

# SPERRY UNIVAC PARTS LIST

SPERRY UNIVAC IS A DIVISION OF SPERRY CORPORATION

MFG CODE

J, W

ISSUE DATE

81/01/06

CONTROL

W 777

DOC NO.

PL

W4400619

SHEET

B 17

|                               |  |  |  |     |     |     |           |    |     |    |      |      |       |
|-------------------------------|--|--|--|-----|-----|-----|-----------|----|-----|----|------|------|-------|
| TITLE                         |  |  |  | PCC | ADC | PCD | COMM CODE | CA | U/M | ST | TYPE | SIZE | CLASS |
| PC ASSEMBLY - OPTION 80 DM357 |  |  |  |     |     |     |           |    | EA  | A  | M    | C    | A     |

| FIND NO. | QUANTITY REQUIRED | U/M | PCC | PART OR IDENT NO. |      | EIR AND PART DESCRIPTION INFORMATION                   | ECC | ST | CHG |
|----------|-------------------|-----|-----|-------------------|------|--|-----|----|-----|
|          |                   |     |     | DOCUMENT NO.      | DASH |  |     |    |     |
| 127      | 1                 | EA  |     | W6501010          | 331  | RESISTOR, FIXED, COMPOSITION 330 OHMS 5% 1W            |     |    | A   |
|          |                   |     |     | REF DES ( 1)      | R94, |  |     |    |     |
| 134      | 1                 | EA  |     | W4900169          | -01  | INTEGRATED CIRCUIT, DIGITAL TTLS 74S74 * FF D SELECTED |     |    | I   |
| 135      | 1                 | EA  |     | W8600053          | -02  | LABEL, IDENTIFICATION TTY CRT 700 RED LTR WHT BKGD     |     |    | A   |
| 136      | AR                | IN  |     | W5300333          | -90  | WIRE, ELEC 30SLD 300V PVD WHT                          |     |    | A   |
| *****    | *****             | *** | *   | *****             | **** | SEE TABULATION ON DRAWING VAR DATA PART - 03 *****     |     |    | A   |
| 2        | 4                 | EA  | I   | 5036516           | -00  | INTEGRATED CIRCUIT DIGITAL TTLS 74S10 * GT NAND 3IN    |     |    | A   |
| 3        | 9                 | EA  | I   | 5036506           | -00  | INTEGRATED CIRCUIT TTLS 74S11 * GT AND 3IN             |     |    | A   |
| 4        | 3                 | EA  | I   | 2892079           | -00  | INTEGRATED CIRCUIT DIGITAL TTLS 74S20 * GT NAND 4IN    |     |    | A   |
| 6        | 2                 | EA  | I   | 2892081           | -00  | INTEGRATED CIRCUIT DIGITAL TTLS 74S64 * GT AOI         |     |    | A   |
| 8        | 8                 | EA  | I   | 9004323           | -01  | INTEGRATED CIRCUIT DIGITAL TTL FF 2 JK ET BT 0         |     |    | I   |
| 9        | 3                 | EA  |     | W4900171          | -00  | INTEGRATED CIRCUIT DIGITAL TTLS 74S114 FF JK DUAL ET   |     |    | A   |
| 12       | 1                 | EA  |     | W4900151          | -00  | INTEGRATED CIRCUIT, DIGITAL TTL 93H72 REG SHF 4BT      |     |    | A   |
| 13       | 7                 | EA  |     | 5036524           | -00  | INTEGRATED CIRCUIT DIGITAL TTL 3404 * FF LATCH 6BT     |     |    | I   |
| 14       | 2                 | EA  |     | W4800005          | -00  | OPOELECTRONIC COUPLER PLASTIC                          |     |    | A   |
| 15       | 1                 | EA  |     | W4900348          | -00  | INTEGRATED CIRCUIT, DIGITAL CMUS 6402 UART             |     |    | A   |
| 16       | 1                 | EA  |     | W4900182          | -00  | INTEGRATED CIRCUIT, DIGITAL TTLS 74S113 FF DUAL JK ET  |     |    | A   |
| 17       | 1                 | EA  | I   | 3008182           | -00  | INTEGRATED CIRCUIT TTL 7402 * GT NOR 2IN               |     |    | I   |
| 21       | 16                | EA  |     | W4900176          | -00  | INTEGRATED CIRCUIT, DIGITAL TTL 75122 LN RECEIVER      |     |    | A   |
| 22       | 2                 | EA  |     | W4900175          | -00  | INTEGRATED CIRCUIT, DIGITAL TTL 82S62 9BT PARTY GEN    |     |    | A   |
| 23       | 1                 | EA  | I   | 9001407           | -01  | INTEGRATED CIRCUIT DIGITAL TTL DEC BIN 1 OF 8 BT 0     |     |    | I   |
| 25       | 12                | EA  | I   | 5036515           | -00  | INTEGRATED CIRCUIT TTLH 74H00 * GT NAND 2IN            |     |    | I   |
| 26       | 9                 | EA  | I   | 2899571           | -00  | INTEGRATED CIRCUIT DIGITAL TTLS 74S00 * GT NAND 2IN    |     |    | A   |
| 27       | 6                 | EA  | I   | 3013354           | -00  | INTEGRATED CIRCUIT TTLH 74H01 * GT NAND 2IN            |     |    | I   |
| 28       | 1                 | EA  | I   | 2899412           | -00  | INTEGRATED CIRCUIT LINEAR TTL 7403 * GT NAND 2IN       |     |    | A   |

**SPERRY UNIVAC PARTS LIST**

SPERRY UNIVAC IS A DIVISION OF SPERRY CORPORATION

MFG CODE  
J, W

ISSUE DATE

81/01/06

CONTROL

W 777

DOC NO.

**PL**

W4400619

AC

8

SHEET

18

TITLE  
**PC ASSEMBLY - OPTION BD DM357**

PCC ADC PCD

COMM CODE

CA U/M ST TYPE  
EA A M

SIZE

C

CLASS

A

| FIND NO. | QUANTITY REQUIRED | U/M | PCC | PART OR IDENT NO.        |      | EIR AND PART DESCRIPTION INFORMATION                      | ECC | ST | CHG |
|----------|-------------------|-----|-----|--------------------------|------|---|-----|----|-----|
|          |                   |     |     | DOCUMENT NO.             | DASH |   |     |    |     |
| 30       | 4                 | EA  |     | 6558675                  | -00  | INTEGRATED CIRCUIT  |     |    | A   |
| 34       | 8                 | EA  | I   | 2899573                  | -00  | INTEGRATED CIRCUIT DIGITAL TTLH 74H11 * GT AND 3IN        |     |    | I   |
| 35       | 1                 | EA  | I   | 3008089                  | -00  | INTEGRATED CIRCUIT TTL 7413 * GT NAND 4IN                 |     |    | I   |
| 36       | 1                 | EA  | I   | 3008187                  | -00  | INTEGRATED CIRCUIT TTL 7420 * GT NAND 4IN                 |     |    | I   |
| 37       | 7                 | EA  | I   | 3013355                  | -00  | INTEGRATED CIRCUIT-IC192 TTLH 74H21 * GT AND 4IN          |     |    | I   |
| 38       | 1                 | EA  |     | 3013468                  | -00  | INTEGRATED CIRCUIT - IC204 TTLH 74H30 * GT NAND 8IN       |     |    | I   |
| 39       | 33                | EA  |     | W4900128                 | -01  | INTEGRATED CIRCUIT, DIGITAL TTL 7438 QUAD 2IN NAND        |     |    | I   |
| 42       | 3                 | EA  |     | W4900093                 | -01  | INTEGRATED CIRCUIT, DIGITAL TTLH 74H50                    |     |    | A   |
| 44       | 1                 | EA  | I   | 9004329                  | -01  | INTEGRATED CIRCUIT DIGITAL TTL GT 2-2-2-3 AOXI            | 0   |    | I   |
| 46       | 10                | EA  | I   | 3008194                  | -00  | INTEGRATED CIRCUIT TTL 7474 * FF D DUAL                   |     |    | I   |
| 47       | 7                 | EA  | I   | 5036157                  | -00  | INTEGRATED CIRCUIT DIGITAL DUAL D TYPE EDGE TRIG. F-F     |     |    | A   |
| 48       | 2                 | EA  | I   | 3008195                  | -00  | INTEGRATED CIRCUIT TTL 7475 * REG LATCH 4BT               |     |    | I   |
| 49       | 4                 | EA  | I   | 3006204                  | -00  | INTEGRATED CIRCUIT - IC7 TTL 7493 * CNTR 4BT              |     |    | I   |
| 50       | 6                 | EA  | I   | 9004321                  | -01  | INTEGRATED CIRCUIT DIGITAL TTL FF 2 JK ET BT              | 0   |    | I   |
| 51       | 2                 | EA  | I   | 3007952                  | -00  | INTEGRATED CIRCUIT TTL 74123 * MVB DUAL RGT               |     |    | I   |
| 54       | 3                 | EA  | I   | 3007845                  | -00  | INTEGRATED CIRCUIT TTL 74193 * CNTR 4BT U/D               |     |    | I   |
| 55       | 6                 | EA  |     | 2510193                  | -00  | INTEGRATED CIRCUIT, DIGITAL                               |     |    | I   |
| 56       | 2                 | EA  | I   | 3008031                  | -00  | INTEGRATED CIRCUIT TTL 74122 * MVB RGT W/C                |     |    | I   |
| 57       | 3                 | EA  |     | W4900010                 | -00  | INTEGRATED CIRCUIT, DIGITAL DTL 844 * GT 2IN NAND         |     |    | A   |
| 58       | 15                | EA  | I   | 5036505                  | -00  | INTEGRATED CIRCUIT TTLH 74H08 * GT AND 2IN                |     |    | I   |
| 59       | 3                 | EA  | I   | 5036522                  | -00  | INTEGRATED CIRCUIT DIGITAL TTL 3003 * GT OR 2IN           |     |    | I   |
| 60       | 3                 | EA  | I   | 2899586                  | -00  | INTEGRATED CIRCUIT DIGITAL TTL 74174 * FF HEX D           |     |    | A   |
| 61       | 2                 | EA  |     | W8001000                 | -04  | DELAY LINE 30,00UNSEC TD 3TERM 390 OHM                    |     |    | A   |
| 63       | 18                | EA  |     | REF DES ( 1)<br>W6502500 | 362  | DL1, DL2,<br>RES, FXD, COMPOSITION, 1/4W, 5%<br>3600 OHMS |     |    | A   |



MAINI... UNIVAC PARTS LIST

MFG CODE  
J, W

ISSUE DATE  
81/01/06

CONTROL  
W 777

DOC NO.  
PL W4400619

SHEET  
8 19

SPERRY UNIVAC IS A DIVISION OF SPERRY CORPORATION

|  |  |  |  |     |     |     |           |    |           |         |           |           |            |
|--|--|--|--|-----|-----|-----|-----------|----|-----------|---------|-----------|-----------|------------|
| TITLE<br>PC ASSEMBLY - OPTION BD DM357 |  |  |  | PCC | ADC | PCD | COMM CODE | CA | U/M<br>EA | ST<br>A | TYPE<br>M | SIZE<br>C | CLASS<br>A |
|--|--|--|--|-----|-----|-----|-----------|----|-----------|---------|-----------|-----------|------------|

| FIND NO. | QUANTITY REQUIRED | U/M | PCC | PART OR IDENT NO.             |  | EIR AND PART DESCRIPTION INFORMATION | ECC | ST | CHG |
|----------|-------------------|-----|-----|-------------------------------|--|--------------------------------------|-----|----|-----|
|          |                   |     |     | DOCUMENT NO.                  | DASH   |                                      |     |    |     |
| 64       | 4                 | EA  |     | REF DES ( 1 )<br>W6502500 121 | R1-R18,<br>RES,FXD,COMPOSITION,1/4W,5% 120 OHMS  |                                      |     |    | A   |
| 67       | 4                 | EA  |     | REF DES ( 1 )<br>W7100004 101 | R19-R21,R86,<br>CAPACITOR, FIXED, CERAMIC DIEL 1.0 UF +80%, -20%   |                                      |     |    | A   |
| 68       | 2                 | EA  |     | REF DES ( 1 )<br>W6502500 123 | C1,C2,C8,C9,<br>RES,FXD,COMPOSITION,1/4W,5% 12K  |                                      |     |    | A   |
| 69       | 14                | EA  |     | REF DES ( 1 )<br>W6502500 471 | R31,R56,<br>RES,FXD,COMPOSITION,1/4W,5% 470 OHMS   |                                      |     |    | A   |
| 72       | 1                 | EA  |     | REF DES ( 1 )<br>W6502500 182 | R22,R23,R34,R27-R30, ( 2 ) R39,R57,R58,R62,R79-<br>R81, R57 R58  |                                      |     |    | A   |
| 73       | 21                | EA  |     | REF DES ( 1 )<br>W6502500 102 | R37,<br>RES,FXD,COMPOSITION,1/4W,5% 1000 OHMS  |                                      |     |    | A   |
| 74       | 1                 | EA  |     | REF DES ( 3 )<br>W6502500 303 | R24,R33,R35,R36,R38, ( 2 ) R41,R43,R45,R47,R48,<br>R83,R87-R90,R95-R97, ( 4 ) R99-R101,<br>RES,FXD,COMPOSITION,1/4W,5% 30K |                                      |     |    | A   |
| 75       | 1                 | EA  |     | REF DES ( 1 )<br>W6502500 223 | R42,<br>RES,FXD,COMPOSITION,1/4W,5% 22K  |                                      |     |    | A   |
| 76       | 1                 | EA  |     | REF DES ( 1 )<br>W6502500 203 | R44,<br>RES,FXD,COMPOSITION,1/4W,5% 20K  |                                      |     |    | A   |
| 77       | 2                 | EA  |     | REF DES ( 1 )<br>W6502500 151 | R46,<br>RES,FXD,COMPOSITION,1/4W,5% 150 OHMS   |                                      |     |    | A   |
| 78       | 1                 | EA  |     | REF DES ( 1 )<br>W6502500 513 | R32,R49,<br>RES,FXD,COMPOSITION,1/4W,5% 51K  |                                      |     |    | A   |
|          |                   |     |     | REF DES ( 1 )<br>R50,         |  |                                      |     |    | A   |

**SPERRY UNIVAC PARTS LIST**

SPERRY UNIVAC IS A DIVISION OF SPERRY CORPORATION

MFG CODE

J, W

ISSUE DATE

81/01/06

CONTROL

W 777

DOC NO.

PL

W4400619

AC

8

SHEET

20

TITLE  
**PC ASSEMBLY - OPTION 8D DM357**

PCC

ADC

PCD

COMM CODE

CA

U/M

ST

TYPE

SIZE

CLASS

EA

A

M

C

A

| FIND NO. | QUANTITY REQUIRED | U/M | PCC | PART OR IDENT NO. |      | EIR AND PART DESCRIPTION INFORMATION                   | ECC | ST | CHG |
|----------|-------------------|-----|-----|-------------------|------|--|-----|----|-----|
|          |                   |     |     | DOCUMENT NO.      | DASH |  |     |    |     |
| 79       | 1                 | EA  |     | W6502500          | 512  | RES,FXD,COMPOSITION,1/4W,5X 5100 OHMS                  |     |    | A   |
|          |                   |     |     | REF DES           | ( 1) | R92,   |     |    |     |
| 80       | 2                 | EA  |     | W6502010          | 202  | RESISTOR, FIXED, COMPOSITION 2 K 5X 2W                 |     |    | A   |
|          |                   |     |     | REF DES           | ( 1) | R51,R55,   |     |    |     |
| 81       | 1                 | EA  |     | W6501010          | 471  | RESISTOR, FIXED, COMPOSITION 470 OHMS 5X 1W            |     |    | A   |
|          |                   |     |     | REF DES           | ( 1) | R53,   |     |    |     |
| 82       | 1                 | EA  |     | W6501010          | 101  | RESISTOR, FIXED, COMPOSITION 100 OHMS 5X 1W            |     |    | A   |
|          |                   |     |     | REF DES           | ( 1) | R52,   |     |    |     |
| 84       | 2                 | EA  |     | W6502500          | 391  | RES,FXD,COMPOSITION,1/4W,5X 390 OHMS                   |     |    | A   |
|          |                   |     |     | REF DES           | ( 1) | R59,R82,   |     |    |     |
| 85       | 1                 | EA  | C   | 4916657           | -06  | CAP FXD CER DIEL 50V +80 - 20X 100K PF                 |     |    | A   |
|          |                   |     |     | REF DES           | ( 1) | C4,  |     |    |     |
| 86       | 1                 | EA  |     | W7100352          | 154  | CAPACITOR, FIXED, TANT DIEL 35V 10X 150 PF             |     |    | A   |
|          |                   |     |     | REF DES           | ( 1) | C3,  |     |    |     |
| 87       | 1                 | EA  |     | W6901500          | 221  | CAPACITOR, FIXED, MICA DIEL 500V 5X 220 PF             |     |    | A   |
|          |                   |     |     | REF DES           | ( 1) | C5,  |     |    |     |
| 88       | 1                 | EA  |     | W6901500          | 151  | CAPACITOR, FIXED, MICA DIEL 500V 5X 150 PF             |     |    | A   |
|          |                   |     |     | REF DES           | ( 1) | C6,  |     |    |     |
| 89       | 1                 | EA  |     | W6901500          | 330  | CAPACITOR, FIXED, MICA DIEL 500V 5X 33 PF              |     |    | A   |
|          |                   |     |     | REF DES           | ( 1) | C7,  |     |    |     |
| 90       | 65                | EA  |     | 6630012           | -05  | CAPACITOR, FIXED, CERAMIC DIEL .010 UF,50VDC,+80%,-20X |     |    | A   |
|          |                   |     |     | REF DES           | ( 1) | C12,C15,C16,C19,C21, ( 2) C23,C25-C27,C29,C31,         |     |    |     |
|          |                   |     |     | REF DES           | ( 3) | C32,C34-C36,C40,C43- ( 4) C45,C47,C49,C51,C53,         |     |    |     |
|          |                   |     |     | REF DES           | ( 5) | C55,C57,C59,C63,C64, ( 6) C66,C67,C70,C71,C75-         |     |    |     |
|          |                   |     |     | REF DES           | ( 7) | C80,C83-C85,C87-C91- ( 8) C93,C95,C98,C101-            |     |    |     |

SPERRY UNIVAC PARTS LIST

SPERRY UNIVAC IS A DIVISION OF SPERRY CORPORATION

MFG CODE

J, W

ISSUE DATE

81/01/06

CONTROL

W 777

DOC NO.

PL

W4400619

SHEET

8 21

TITLE

PC ASSEMBLY - OPTION RD DM357

PCC

ADC

PCD

COMM CODE

CA

U/M  
EA

ST  
A

TYPE  
M

SIZE  
C

CLASS  
A

| FIND NO. | QUANTITY REQUIRED | U/M | PCC | PART OR IDENT NO. |   | EIR AND PART DESCRIPTION INFORMATION | ECC | ST | CHG |
|----------|-------------------|-----|-----|-------------------|---|--------------------------------------|-----|----|-----|
|          |                   |     |     | DOCUMENT NO.      | DASH  |                                      |     |    |     |
|          |                   |     |     | REF DES ( 9 )     | C104,C106,C110,C111, (10) C113,C114,C116,C117,            |                                      |     |    |     |
|          |                   |     |     | REF DES (11)      | C119,C122,C124-C126, (12) C128,C109,                      |                                      |     |    |     |
| 92       | 2                 | EA  |     | W7701017          | -00 SEMICONDUCTOR DEVICE, DIODE 200MA                     |                                      |     |    | A   |
|          |                   |     |     | REF DES ( 1 )     | CR1,CR2,  |                                      |     |    |     |
| 93       | 2                 | EA  | D   | 2899056           | -00 SEMICONDUCTOR DEVICE DIODE SILICON POWER 1N4003       |                                      |     |    | A   |
|          |                   |     |     | REF DES ( 1 )     | CR3,CR4,  |                                      |     |    |     |
| 94       | 1                 | EA  |     | W7600019          | -00 TRANSISTOR PNP VCBO 150V 5.6MW BETA20                 |                                      |     |    | A   |
|          |                   |     |     | REF DES ( 1 )     | Q1  |                                      |     |    |     |
| 96       | 5                 | EA  |     | W4800007          | -00 RESISTOR NETWORK, FIXED 28ELEM1.5 W 2X 200AND 300     |                                      |     |    | A   |
| 100      | 5                 | EA  | I   | 5036504           | -00 INTEGRATED CIRCUIT DIGITAL TTLS 74804 * GT HEX INVERT |                                      |     |    | A   |
| 101      | 23                | EA  | I   | 3007755           | -00 INTEGRATED CIRCUIT TTLH 74H04 * GT HEX INVERT         |                                      |     |    | I   |
| 102      | 1                 | EA  | I   | 3008186           | -00 INTEGRATED CIRCUIT TTL 7410 * GT NAND 3IN             |                                      |     |    | I   |
| 103      | 6                 | EA  | I   | 5036146           | -00 INTEGRATED CIRCUIT DIGITAL TTLS 74874 * FF DUAL D     |                                      |     |    | A   |
| 104      | 2                 | EA  | I   | 9004633           | -01 INTEGRATED CIRCUIT DIGITAL TTLS 748112 * FF DUAL JK   |                                      |     |    | A   |
| 108      | 259               | EA  |     | W5800062          | -09 CONTACT ELECTRICAL, WIRE WARP PLATING, GOLD           |                                      |     |    | A   |
| 109      | 2                 | EA  |     | W5700295          | -00 CONN, PRINTED CIRCUIT, ELEC SLDR MTD 40 FIXED PINS    |                                      |     |    | A   |
|          |                   |     |     | REF DES ( 1 )     | J7A,J7B,  |                                      |     |    |     |
| 110      | 1                 | EA  |     | W5700296          | -00 CONNECTOR, RECTANGULAR, ELEC 9 FIXED SOCKETS RECP     |                                      |     |    | A   |
|          |                   |     |     | REF DES ( 1 )     | J8,   |                                      |     |    |     |
| 113      | 47                | EA  |     | W2600038          | -00 CLIP, RETAINING .006 THK, BERYLLIUM COPPER            |                                      |     |    | A   |
| 114      | 1                 | EA  |     | W7800108          | -00 SWITCH, TOGGLE, LEVER 2 POSITION                      |                                      |     |    | A   |
|          |                   |     |     | REF DES ( 1 )     | S1,   |                                      |     |    |     |
| 115      | 1                 | EA  |     | W5800189          | -00 CONNECTOR, COAXIAL, ELECTRICAL 1000 VOLTS, 50 OHMS    |                                      |     |    | A   |
|          |                   |     |     | REF DES ( 1 )     | TP1,  |                                      |     |    |     |
| 116      | 2                 | EA  |     | W5700296          | -02 CONNECTOR, RECTANGULAR, ELEC BRACKET                  |                                      |     |    | A   |

# SPERRY UNIVAC PARTS LIST

SPERRY UNIVAC IS A DIVISION OF SPERRY CORPORATION

MFG CODE

J, W

ISSUE DATE

81/01/06

CONTROL

W 777

DOC NO.

PL

w4400619

AC

8

SHEET

22

TITLE  
**PC ASSEMBLY - OPTION HD DM357**

PCC

ADC

PCD

COMM CODE

CA

U/M

ST

TYPE

A

M

SIZE

C

CLASS

A

| FIND NO. | QUANTITY REQUIRED | U/M | PCC | PART OR IDENT NO. |       | EIR AND PART DESCRIPTION INFORMATION                  | ECC | ST | CHG |
|----------|-------------------|-----|-----|-------------------|-------|---|-----|----|-----|
|          |                   |     |     | DOCUMENT NO.      | DASH  |   |     |    |     |
| 119      | AR                | IN  |     | W5400001          | 124   | INSULATION SLEEVING, ELEC SIZE 24 BLACK .022 ID       |     |    | A   |
| 120      | 2                 | EA  |     | W2100062          | -01   | SCREW, MACH, PAN HEAD STL PASS XREC 2-56 .180         |     |    | A   |
| 121      | 2                 | EA  |     | W2202560          | -01   | WASHER, FLAT SST PASS.025THK .089ID .2190D            |     |    | A   |
| 122      | 2                 | EA  |     | W2202561          | -02   | WASHER, LOCK, FLAT NO. 2                              |     |    | A   |
| 126      | 1                 | EA  |     | W6502500          | 103   | RES,FXD,COMPOSITION,1/4W,5X 10K                       |     |    | A   |
|          |                   |     |     | REF DES ( 1)      | R91,  |   |     |    |     |
| 127      | 1                 | EA  |     | W6501010          | 331   | RESISTOR, FIXED, COMPOSITION 330 OHMS 5% 1W           |     |    | A   |
|          |                   |     |     | REF DES ( 1)      | R94,  |   |     |    |     |
| 131      | AR                | IN  |     | W5300003          | -06   | WIRE, ELECTRICAL 20 AWG                               |     |    | A   |
| 134      | 1                 | EA  |     | W4900169          | -01   | INTEGRATED CIRCUIT,DIGITAL TTLS 74S74 * FF D SELECTED |     |    | I   |
| 135      | 1                 | EA  |     | W8600053          | -02   | LABEL, IDENTIFICATION TTY CRT 700 RED LTR WHT BKGD    |     |    | A   |
| 136      | AR                | IN  |     | W5300333          | -90   | WIRE, ELEC 30SLD 300V PVD WMT                         |     |    | A   |
| *****    | *****             | *** | *   | *****             | ***** | SEE TABULATION ON DRAWING VAR DATA PART = 04 *****    |     |    | A   |
| 2        | 2                 | EA  | I   | 5036516           | -00   | INTEGRATED CIRCUIT DIGITAL TTLS 74S10 * GT NAND 3IN   |     |    | A   |
| 3        | 6                 | EA  | I   | 5036506           | -00   | INTEGRATED CIRCUIT TTLS 74S11 * GT AND 3IN            |     |    | A   |
| 4        | 1                 | EA  | I   | 2892079           | -00   | INTEGRATED CIRCUIT DIGITAL TTLS 74S20 * GT NAND 4IN   |     |    | A   |
| 6        | 1                 | EA  | I   | 2892081           | -00   | INTEGRATED CIRCUIT DIGITAL TTLS 74S64 * GT AOI        |     |    | A   |
| 8        | 11                | EA  | I   | 9004323           | -01   | INTEGRATED CIRCUIT DIGITAL TTL FF 2 JK ET BT 0        |     |    | I   |
| 14       | 2                 | EA  |     | W4800005          | -00   | OPOELECTRONIC COUPLER PLASTIC                         |     |    | A   |
| 15       | 1                 | EA  |     | W4900348          | -00   | INTEGRATED CIRCUIT, DIGITAL CMOS 6402 UART            |     |    | A   |
| 16       | 1                 | EA  |     | W4900182          | -00   | INTEGRATED CIRCUIT, DIGITAL TTLS 74S113 FF DUAL JK ET |     |    | A   |
| 17       | 1                 | EA  | I   | 3008182           | -00   | INTEGHATED CIRCUIT TTL 7402 * GT NOR 2IN              |     |    | I   |
| 19       | 4                 | EA  | I   | 2899587           | -00   | INTEGHATED CIRCUIT DIGITAL TTL 74175 * FF D QUAD      |     |    | A   |
| 22       | 2                 | EA  |     | W4900175          | -00   | INTEGRATED CIRCUIT, DIGITAL TTL 82S62 9BT PARTY GEN   |     |    | A   |
| 23       | 1                 | EA  | I   | 9001407           | -01   | INTEGRATED CIRCUIT DIGITAL TTL DEC BIN 1 OF 8 HT 0    |     |    | I   |

SPERRY UNIVAC PARTS LIST

SPERRY UNIVAC IS A DIVISION OF SPERRY CORPORATION

MFG CODE  
J W

ISSUE DATE

81/01/06

CONTROL

W 777

PL

DOC NO.

W4400619

SHEET

8 23

TITLE  
PC ASSEMBLY - OPTION 8D UM357

PCC

ADC

PCD

COMM CODE

CA

U/M

ST

TYPE

M

SIZE

C

CLASS

A

| FIND NO. | QUANTITY REQUIRED | U/M | PCC | PART OR IDENT NO. |      | EIR AND PART DESCRIPTION INFORMATION                     | ECC | ST | CHG |
|----------|-------------------|-----|-----|-------------------|------|--|-----|----|-----|
|          |                   |     |     | DOCUMENT NO.      | DASH |  |     |    |     |
| 25       | 10                | EA  | I   | 5036515           | -00  | INTEGRATED CIRCUIT TTLH 74H00 * GT NAND 2IN              |     |    | I   |
| 26       | 7                 | EA  | I   | 2899571           | -00  | INTEGRATED CIRCUIT DIGITAL TTLS 74S00 * GT NAND 2IN      |     |    | A   |
| 27       | 6                 | EA  | I   | 3013354           | -00  | INTEGRATED CIRCUIT TTLH 74H01 * GT NAND 2IN              |     |    | I   |
| 28       | 7                 | EA  | I   | 2899412           | -00  | INTEGRATED CIRCUIT LINEAR TTL 7403 * GT NAND 2IN         |     |    | A   |
| 30       | 4                 | EA  |     | 6558675           | -00  | INTEGRATED CIRCUIT                                       |     |    | A   |
| 34       | 9                 | EA  | I   | 2899573           | -00  | INTEGRATED CIRCUIT DIGITAL TTLH 74H11 * GT AND 3IN       |     |    | I   |
| 35       | 1                 | EA  | I   | 3008089           | -00  | INTEGRATED CIRCUIT TTL 7413 * GT NAND 4IN                |     |    | I   |
| 36       | 1                 | EA  | I   | 3008187           | -00  | INTEGRATED CIRCUIT TTL 7420 * GT NAND 4IN                |     |    | I   |
| 37       | 7                 | EA  | I   | 3013355           | -00  | INTEGRATED CIRCUIT-IC192 TTLH 74H21 * GT AND 4IN         |     |    | I   |
| 38       | 1                 | EA  |     | 3013468           | -00  | INTEGRATED CIRCUIT - IC204 TTLH 74H30 * GT NAND 8IN      |     |    | I   |
| 39       | 16                | EA  |     | W4900128          | -01  | INTEGRATED CIRCUIT, DIGITAL TTL 7438 QUAD 2IN NAND       |     |    | I   |
| 42       | 3                 | EA  |     | W4900093          | -01  | INTEGRATED CIRCUIT, DIGITAL TTLH 74H50                   |     |    | A   |
| 43       | 1                 | EA  | I   | 5036519           | -00  | INTEGRATED CIRCUIT DIGITAL 2, 2WIDE 2INPUT AND/OR INVERT |     |    | I   |
| 46       | 10                | EA  | I   | 3008194           | -00  | INTEGRATED CIRCUIT TTL 7474 * FF D DUAL                  |     |    | I   |
| 47       | 11                | EA  | I   | 5036157           | -00  | INTEGRATED CIRCUIT DIGITAL DUAL D TYPE EDGE TRIG. F=F    |     |    | A   |
| 48       | 2                 | EA  | I   | 3008195           | -00  | INTEGRATED CIRCUIT TTL 7475 * REG LATCH 4BT              |     |    | I   |
| 49       | 4                 | EA  | I   | 3006204           | -00  | INTEGRATED CIRCUIT - IC7 TTL 7493 * CNTR 4BT             |     |    | I   |
| 50       | 3                 | EA  | I   | 9004321           | -01  | INTEGRATED CIRCUIT DIGITAL TTL FF 2 JK ET BT             |     | 0  | I   |
| 51       | 2                 | EA  | I   | 3007952           | -00  | INTEGRATED CIRCUIT TTL 74123 * MVB DUAL RGT              |     |    | I   |
| 52       | 1                 | EA  | I   | 4915632           | -00  | INTEGRATED CIRCUIT TTL 74150 MLPX 1 OF 16                |     |    | I   |
| 53       | 8                 | EA  |     | 2899585           | -00  | INTEGRATED CIRCUIT DIGITAL TTL 74170 * REG FILE 4X4      |     |    | A   |
| 54       | 3                 | EA  | I   | 3007845           | -00  | INTEGRATED CIRCUIT TTL 74193 * CNTR 4BT U/D              |     |    | I   |
| 55       | 6                 | EA  |     | 2510193           | -00  | INTEGRATED CIRCUIT, DIGITAL                              |     |    | I   |
| 56       | 2                 | EA  | I   | 3008031           | -00  | INTEGRATED CIRCUIT TTL 74122 * MVB RGT W/C               |     |    | I   |
| 57       | 3                 | EA  |     | W4900010          | -00  | INTEGRATED CIRCUIT, DIGITAL DTL 844 * GT 2IN NAND        |     |    | A   |

# SPERRY UNIVAC PARTS LIST

SPERRY UNIVAC IS A DIVISION OF SPERRY CORPORATION

MFG CODE

J, W

ISSUE DATE

81/01/06

CONTROL

W 777

DOC NO.

PL

W4400619

AC

8

SHEET

24

TITLE  
PC ASSEMBLY - OPTION HD DM357

PCC

ADC

PCD

COMM CODE

CA

U/M  
EA

ST  
A

TYPE  
M

SIZE

C

CLASS

A

| FIND NO. | QUANTITY REQUIRED | U/M | PCC | PART OR IDENT NO. |      | EIR AND PART DESCRIPTION INFORMATION                   | ECC | ST | CHG |
|----------|-------------------|-----|-----|-------------------|------|--|-----|----|-----|
|          |                   |     |     | DOCUMENT NO.      | DASH |  |     |    |     |
| 58       | 14                | EA  | I   | 5036505           | -00  | INTEGRATED CIRCUIT TTLH 74H08 * GT AND 2IN             |     |    | I   |
| 59       | 3                 | EA  | I   | 5036522           | -00  | INTEGRATED CIRCUIT DIGITAL TTL 3003 * GT OR 2IN        |     |    | I   |
| 61       | 1                 | EA  |     | W8001000          | -04  | DELAY LINE 30.00NSEC TO 3TERM 390 OHM                  |     |    | A   |
|          |                   |     |     | REF DES ( 1)      |      | DL1,   |     |    |     |
| 63       | 18                | EA  |     | W6502500          | 362  | RES,FXD,COMPOSITION,1/4W,5% 3600 OHMS                  |     |    | A   |
|          |                   |     |     | REF DES ( 1)      |      | R1-R18,  |     |    |     |
| 64       | 4                 | EA  |     | W6502500          | 121  | RES,FXD,COMPOSITION,1/4W,5% 120 OHMS                   |     |    | A   |
|          |                   |     |     | REF DES ( 1)      |      | R19-R21,R86,   |     |    |     |
| 67       | 4                 | EA  |     | W7100004          | 101  | CAPACITOR, FIXED, CERAMIC DIELECTRIC 1.0 UF +80%, -20% |     |    | A   |
|          |                   |     |     | REF DES ( 1)      |      | C1,C2,C8,C9,   |     |    |     |
| 68       | 2                 | EA  |     | W6502500          | 123  | RES,FXD,COMPOSITION,1/4W,5% 12K                        |     |    | A   |
|          |                   |     |     | REF DES ( 1)      |      | R31,R56,   |     |    |     |
| 69       | 28                | EA  |     | W6502500          | 471  | RES,FXD,COMPOSITION,1/4W,5% 470 OHMS                   |     |    | A   |
|          |                   |     |     | REF DES ( 1)      |      | R22,R23,R27-R30,R34, ( 2) R39,R62,R75-R78,R80,         |     |    |     |
|          |                   |     |     | REF DES ( 3)      |      | R57,R58,R63-R74,                                       |     |    |     |
| 72       | 1                 | EA  |     | W6502500          | 182  | RES,FXD,COMPOSITION,1/4W,5% 1800 OHMS                  |     |    | A   |
|          |                   |     |     | REF DES ( 1)      |      | R37,   |     |    |     |
| 73       | 23                | EA  |     | W6502500          | 102  | RES,FXD,COMPOSITION,1/4W,5% 1000 OHMS                  |     |    | A   |
|          |                   |     |     | REF DES ( 1)      |      | R24,R33,R35,R36,R38, ( 2) R41,R43,R45,R47,R48,         |     |    |     |
|          |                   |     |     | REF DES ( 3)      |      | R60,R61,R83,R87-R90, ( 4) R95,R96,R98-R101,            |     |    |     |
| 74       | 1                 | EA  |     | W6502500          | 303  | RES,FXD,COMPOSITION,1/4W,5% 30K                        |     |    | A   |
|          |                   |     |     | REF DES ( 1)      |      | R42,   |     |    |     |
| 75       | 1                 | EA  |     | W6502500          | 223  | RES,FXD,COMPOSITION,1/4W,5% 22K                        |     |    | A   |
|          |                   |     |     | REF DES ( 1)      |      | R44,   |     |    |     |
| 76       | 1                 | EA  |     | W6502500          | 203  | RES,FXD,COMPOSITION,1/4W,5% 20K                        |     |    | A   |

MAINT. L E NO. 8 22V  
**SPERRY UNIVAC PARTS LIST**

SPERRY UNIVAC IS A DIVISION OF SPERRY CORPORATION

MFG CODE  
 J, W

ISSUE DATE

81/01/06

CONTROL

W 777

PL

DOC NO.

W4400619

SHEET

B 25

TITLE  
**PC ASSEMBLY - OPTION BD DM357**

PCC ADC PCD

COMM CODE

CA

U/M

ST

TYPE

SIZE

CLASS

EA

A

M

C

A

| FIND NO. | QUANTITY REQUIRED | U/M | PCC | PART OR IDENT NO. |          | EIR AND PART DESCRIPTION INFORMATION |      |      |       |      |    |  | ECC | ST | CHG |
|----------|-------------------|-----|-----|-------------------|----------|--------------------------------------|------|------|-------|------|----|--|-----|----|-----|
|          |                   |     |     | DOCUMENT NO.      | DASH     |                                      |      |      |       |      |    |  |     |    |     |
| 77       | 2                 | EA  |     | REF DES ( 1)      | R46,     |                                      |      |      |       |      |    |  |     |    |     |
|          |                   |     |     | W6502500          | 151      | RES,FXD,COMPOSITION,1/4W,5%          | 150  | OHMS |       |      |    |  |     |    |     |
| 78       | 1                 | EA  |     | REF DES ( 1)      | R32,R49, |                                      |      |      |       |      |    |  |     |    |     |
|          |                   |     |     | W6502500          | 513      | RES,FXD,COMPOSITION,1/4W,5%          | 51K  |      |       |      |    |  |     |    |     |
| 79       | 1                 | EA  |     | REF DES ( 1)      | R50,     |                                      |      |      |       |      |    |  |     |    |     |
|          |                   |     |     | W6502500          | 512      | RES,FXD,COMPOSITION,1/4W,5%          | 5100 | OHMS |       |      |    |  |     |    |     |
| 80       | 2                 | EA  |     | REF DES ( 1)      | R92,     |                                      |      |      |       |      |    |  |     |    |     |
|          |                   |     |     | W6502010          | 202      | RESISTOR, FIXED, COMPOSITION         | 2    | K    | 5%    | 2W   |    |  |     |    |     |
| 81       | 1                 | EA  |     | REF DES ( 1)      | R51,R55, |                                      |      |      |       |      |    |  |     |    |     |
|          |                   |     |     | W6501010          | 471      | RESISTOR, FIXED, COMPOSITION         | 470  | OHMS | 5%    | 1W   |    |  |     |    |     |
| 82       | 1                 | EA  |     | REF DES ( 1)      | R53,     |                                      |      |      |       |      |    |  |     |    |     |
|          |                   |     |     | W6501010          | 101      | RESISTOR, FIXED, COMPOSITION         | 100  | OHMS | 5%    | 1W   |    |  |     |    |     |
| 84       | 1                 | EA  |     | REF DES ( 1)      | R52,     |                                      |      |      |       |      |    |  |     |    |     |
|          |                   |     |     | W6502500          | 391      | RES,FXD,COMPOSITION,1/4W,5%          | 390  | OHMS |       |      |    |  |     |    |     |
| 85       | 1                 | EA  | C   | REF DES ( 1)      | R59,     |                                      |      |      |       |      |    |  |     |    |     |
|          |                   |     |     | 4916657           | -06      | CAP FXD CER DIEL                     | 50V  | +80  | - 20% | 100K | PF |  |     |    |     |
| 86       | 1                 | EA  |     | REF DES ( 1)      | C4,      |                                      |      |      |       |      |    |  |     |    |     |
|          |                   |     |     | W7100352          | 154      | CAPACITOR, FIXED, TANT DIEL          | 35V  |      | 10%   | 150  | PF |  |     |    |     |
| 87       | 1                 | EA  |     | REF DES ( 1)      | C3,      |                                      |      |      |       |      |    |  |     |    |     |
|          |                   |     |     | W6901500          | 221      | CAPACITOR, FIXED, MICA DIEL          | 500V |      | 5%    | 220  | PF |  |     |    |     |
| 88       | 1                 | EA  |     | REF DES ( 1)      | C5,      |                                      |      |      |       |      |    |  |     |    |     |
|          |                   |     |     | W6901500          | 151      | CAPACITOR, FIXED, MICA DIEL          | 500V |      | 5%    | 150  | PF |  |     |    |     |
| 89       | 1                 | EA  |     | REF DES ( 1)      | C6,      |                                      |      |      |       |      |    |  |     |    |     |
|          |                   |     |     | W6901500          | 330      | CAPACITOR, FIXED, MICA DIEL          | 500V |      | 5%    | 33   | PF |  |     |    |     |
|          |                   |     |     | REF DES ( 1)      | C7,      |                                      |      |      |       |      |    |  |     |    |     |

# SPERRY UNIVAC PARTS LIST

SPERRY UNIVAC IS A DIVISION OF SPERRY CORPORATION

MFG CODE

J, W

ISSUE DATE

81/01/06

CONTROL

W 777

DOC NO.

PL

W4400619

AC

B

SHEET

26

TITLE

PC ASSEMBLY - OPTION HD DM357

PCC

ADC

PCD

COMM CODE

CA

U/M

ST

TYPE

M

SIZE

C

CLASS

A

| FIND NO. | QUANTITY REQUIRED | U/M | PCC | PART OR IDENT NO. |      | EIR AND PART DESCRIPTION INFORMATION                            | ECC | ST | CHG |
|----------|-------------------|-----|-----|-------------------|------|---|-----|----|-----|
|          |                   |     |     | DOCUMENT NO.      | DASH |   |     |    |     |
| 90       | 65                | EA  |     | 6630012           | -05  | CAPACITOR, FIXED, CERAMIC DIELECTRIC .010 UF, 50VDC, +80%, -20% |     |    | A   |
|          |                   |     |     | REF DES (1)       |      | C12, C15, C16, C19, C21, (2) C23, C25-C27, C29, C31,            |     |    |     |
|          |                   |     |     | REF DES (3)       |      | C32, C34-C36, C40, C43- (4) C45, C47, C49, C51, C53,            |     |    |     |
|          |                   |     |     | REF DES (5)       |      | C55, C57, C59, C63, C64, (6) C66, C67, C70, C71, C75-           |     |    |     |
|          |                   |     |     | REF DES (7)       |      | C80, C83-C85, C87, C91- (8) C93, C95, C98, C101-                |     |    |     |
|          |                   |     |     | REF DES (9)       |      | C104, C106, C109, C110, (10) C111, C113, C114, C116,            |     |    |     |
|          |                   |     |     | REF DES (11)      |      | C117, C119, C122, C124- (12) C126, C128,                        |     |    |     |
| 92       | 2                 | EA  |     | W7701017          | -00  | SEMICONDUCTOR DEVICE, DIODE 200MA                               |     |    | A   |
|          |                   |     |     | REF DES (1)       |      | CR1, CR2,   |     |    |     |
| 93       | 2                 | EA  | D   | 2899056           | -00  | SEMICONDUCTOR DEVICE DIODE SILICON POWER 1N4003                 |     |    | A   |
|          |                   |     |     | REF DES (1)       |      | CR3, CR4,   |     |    |     |
| 94       | 1                 | EA  |     | W7600019          | -00  | TRANSISTOR PNP VCBO 150V 5.6MW BETA20                           |     |    | A   |
|          |                   |     |     | REF DES (1)       |      | Q1,   |     |    |     |
| 96       | 1                 | EA  |     | W4800007          | -00  | RESISTOR NETWORK, FIXED 28ELEM 1.5 W 2% 200AND 300              |     |    | A   |
| 100      | 4                 | EA  | I   | 5036504           | -00  | INTEGRATED CIRCUIT DIGITAL TTLS 74S04 * GT HEX INVERT           |     |    | A   |
| 101      | 20                | EA  | I   | 3007755           | -00  | INTEGRATED CIRCUIT TTLH 74H04 * GT HEX INVERT                   |     |    | I   |
| 102      | 2                 | EA  | I   | 3008186           | -00  | INTEGRATED CIRCUIT TTL 7410 * GT NAND 3IN                       |     |    | I   |
| 103      | 3                 | EA  | I   | 5036146           | -00  | INTEGRATED CIRCUIT DIGITAL TTLS 74S74 * FF DUAL D               |     |    | A   |
| 104      | 1                 | EA  | I   | 9004633           | -01  | INTEGRATED CIRCUIT DIGITAL TTLS 74S112 * FF DUAL JK             |     |    | A   |
| 108      | 250               | EA  |     | W5800062          | -09  | CONTACT ELECTRICAL, WIRE WARP PLATING, GOLD                     |     |    | A   |
| 110      | 1                 | EA  |     | W5700296          | -00  | CONNECTOR, RECTANGULAR, ELEC 9 FIXED SOCKETS RECP               |     |    | A   |
|          |                   |     |     | REF DES (1)       |      | J8,   |     |    |     |
| 113      | 71                | EA  |     | W2600038          | -00  | CLIP, RETAINING .006 THK, BERYLLIUM COPPER                      |     |    | A   |
| 114      | 1                 | EA  |     | W7800108          | -00  | SWITCH, TOGGLE, LEVER 2 POSITION                                |     |    | A   |
|          |                   |     |     | REF DES (1)       |      | S1,   |     |    |     |



MAIN, U. E. NO. 3 CCV  
**SPERRY UNIVAC PARTS LIST**

SPERRY UNIVAC IS A DIVISION OF SPERRY CORPORATION

|                  |                        |                  |                               |               |
|------------------|------------------------|------------------|-------------------------------|---------------|
| MFG CODE<br>J, W | ISSUE DATE<br>81/01/06 | CONTROL<br>W 777 | DOC NO.<br><b>PL</b> W4400619 | SHEET<br>8 27 |
|------------------|------------------------|------------------|-------------------------------|---------------|

|  |     |     |     |           |    |           |         |           |           |            |
|--|-----|-----|-----|-----------|----|-----------|---------|-----------|-----------|------------|
| TITLE<br>PC ASSEMBLY - OPTION HD DM357 | PCC | ADC | PCD | COMM CODE | CA | U/M<br>EA | ST<br>A | TYPE<br>M | SIZE<br>C | CLASS<br>A |
|--|-----|-----|-----|-----------|----|-----------|---------|-----------|-----------|------------|

| FIND NO. | QUANTITY REQUIRED | U/M | PCC | PART OR IDENT NO. |      | EIR AND PART DESCRIPTION INFORMATION                  | ECC | ST | CHG |
|----------|-------------------|-----|-----|-------------------|------|---|-----|----|-----|
|          |                   |     |     | DOCUMENT NO.      | DASH |   |     |    |     |
| 115      | 1                 | EA  |     | W5800189          | -00  | CONNECTOR, COAXIAL, ELECTRICAL 1000 VOLTS, 50 OHMS    |     |    | A   |
|          |                   |     |     | REF DES ( 1 )     |      | TP1,  |     |    |     |
| 116      | 2                 | EA  |     | W5700296          | -02  | CONNECTOR, RECTANGULAR, ELEC BRACKET                  |     |    | A   |
| 119      | AR                | IN  |     | W5400001          | 124  | INSULATION SLEEVING, ELEC SIZE 24 BLACK .022 ID       |     |    | A   |
| 120      | 2                 | EA  |     | W2100062          | -01  | SCREW, MACH, PAN HEAD STL PASS XREC 2-56 .180         |     |    | A   |
| 121      | 2                 | EA  |     | W2202560          | -01  | WASHER, FLAT SST PASS.025THK .089ID .2190D            |     |    | A   |
| 122      | 2                 | EA  |     | W2202561          | -02  | WASHER, LOCK, FLAT NO. 2                              |     |    | A   |
| 126      | 1                 | EA  |     | W6502500          | 103  | RES,FXD,COMPOSITION,1/4W,5% 10K                       |     |    | A   |
|          |                   |     |     | REF DES ( 1 )     |      | R91,  |     |    |     |
| 127      | 1                 | EA  |     | W6501010          | 331  | RESISTOR, FIXED, COMPOSITION 330 OHMS 5% 1W           |     |    | A   |
|          |                   |     |     | REF DES ( 1 )     |      | R94,  |     |    |     |
| 130      | 1                 | EA  |     | W0101653          | -00  | OPTION HD - MOD KIT                                   |     |    | A   |
| 134      | 1                 | EA  |     | W4900169          | -01  | INTEGRATED CIRCUIT,DIGITAL TTLS 74S74 * FF D SELECTED |     |    | I   |
| 136      | AR                | IN  |     | W5300333          | -90  | WIRE, ELEC 30SLD 300V PVD WHT                         |     |    | A   |
| *****    | *****             | *** | *   | *****             | **** | SEE TABULATION ON DRAWING VAR DATA PART - 05 *****    |     |    | A   |
| 2        | 4                 | EA  | I   | 5036516           | -00  | INTEGRATED CIRCUIT DIGITAL TTLS 74S10 * GT NAND 3IN   |     |    | A   |
| 3        | 10                | EA  | I   | 5036506           | -00  | INTEGRATED CIRCUIT TTLS 74S11 * GT AND 3IN            |     |    | A   |
| 4        | 3                 | EA  | I   | 2892079           | -00  | INTEGRATED CIRCUIT DIGITAL TTLS 74S20 * GT NAND 4IN   |     |    | A   |
| 6        | 2                 | EA  | I   | 2892081           | -00  | INTEGRATED CIRCUIT DIGITAL TTLS 74S64 * GT AUI        |     |    | A   |
| 8        | 13                | EA  | I   | 9004323           | -01  | INTEGRATED CIRCUIT DIGITAL TTL FF 2 JK ET BT 0        |     |    | I   |
| 9        | 3                 | EA  |     | W4900171          | -00  | INTEGRATED CIRCUIT DIGITAL TTLS 74S114 FF JK DUAL ET  |     |    | A   |
| 12       | 1                 | EA  |     | W4900151          | -00  | INTEGRATED CIRCUIT, DIGITAL TTL 93H72 REG SHF 4BT     |     |    | A   |
| 13       | 7                 | EA  |     | 5036524           | -00  | INTEGRATED CIRCUIT DIGITAL TTL 3404 * FF LATCH 6BT    |     |    | I   |
| 14       | 2                 | EA  |     | W4800005          | -00  | OPOELECTRONIC COUPLER PLASTIC                         |     |    | A   |
| 15       | 1                 | EA  |     | W4900346          | -00  | INTEGRATED CIRCUIT, DIGITAL CHDS 6402 UART            |     |    | A   |

**SPERRY UNIVAC PARTS LIST**

SPERRY UNIVAC IS A DIVISION OF SPERRY CORPORATION

MFG CODE

J, W

ISSUE DATE

81/01/06

CONTROL

W 777

DOC NO.

PL

W4400619

AC

8

SHEET

28

TITLE  
**PC ASSEMBLY - OPTION 8D UM357**

PCC ADC PCD

COMM CODE

CA

U/M  
EA

ST  
A

TYPE  
M

SIZE

C

CLASS

A

| FIND NO. | QUANTITY REQUIRED | U/M | PCC | PART OR IDENT NO. |      | EIR AND PART DESCRIPTION INFORMATION |      |                |                               | ECC | ST | CHG    |
|----------|-------------------|-----|-----|-------------------|------|--------------------------------------|------|----------------|-------------------------------|-----|----|--------|
|          |                   |     |     | DOCUMENT NO.      | DASH |                                      |      |                |                               |     |    |        |
| 16       | 1                 | EA  |     | W4900182          | -00  | INTEGRATED CIRCUIT, DIGITAL          | TTL  | 74S113         | FF DUAL JK ET                 |     |    | A      |
| 17       | 1                 | EA  | I   | 3008182           | -00  | INTEGRATED CIRCUIT                   | TTL  | 7402           | * GT NOR 2IN                  |     |    | I      |
| 19       | 4                 | EA  | I   | 2899587           | -00  | INTEGRATED CIRCUIT DIGITAL           | TTL  | 74175          | * FF D QUAD                   |     |    | A      |
| 21       | 16                | EA  |     | W4900176          | -00  | INTEGRATED CIRCUIT, DIGITAL          | TTL  | 75122          | LN RECEIVER                   |     |    | A      |
| 22       | 2                 | EA  |     | W4900175          | -00  | INTEGRATED CIRCUIT, DIGITAL          | TTL  | 82S62          | 9BT PARTY GEN                 |     |    | A      |
| 23       | 1                 | EA  | I   | 9001407           | -01  | INTEGRATED CIRCUIT DIGITAL           | TTL  | DEC BIN 1 OF 8 | BT                            | 0   |    | I      |
| 25       | 12                | EA  | I   | 5036515           | -00  | INTEGRATED CIRCUIT                   | TTLH | 74H00          | * GT NAND 2IN                 |     |    | I      |
| 26       | 10                | EA  | I   | 2894571           | -00  | INTEGRATED CIRCUIT DIGITAL           | TTL  | 74800          | * GT NAND 2IN                 |     |    | A      |
| 27       | 6                 | EA  | I   | 3013354           | -00  | INTEGRATED CIRCUIT                   | TTLH | 74H01          | * GT NAND 2IN                 |     |    | I      |
| 28       | 7                 | EA  | I   | 2899412           | -00  | INTEGRATED CIRCUIT LINEAR            | TTL  | 7403           | * GT NAND 2IN                 |     |    | A      |
| 30       | 4                 | EA  |     | 6558675           | -00  | INTEGRATED CIRCUIT                   |      |                |                               |     |    | A      |
| 34       | 9                 | EA  | I   | 2899573           | -00  | INTEGRATED CIRCUIT DIGITAL           | TTLH | 74H11          | * GT AND 3IN                  |     |    | I      |
| 35       | 1                 | EA  | I   | 3008089           | -00  | INTEGRATED CIRCUIT                   | TTL  | 7413           | * GT NAND 4IN                 |     |    | I      |
| 36       | 1                 | EA  | I   | 3008187           | -00  | INTEGRATED CIRCUIT                   | TTL  | 7420           | * GT NAND 4IN                 |     |    | I      |
| 37       | 8                 | EA  | I   | 3013355           | -00  | INTEGRATED CIRCUIT-IC192             | TTLH | 74H21          | * GT AND 4IN                  |     |    | I      |
| 38       | 1                 | EA  |     | 3013468           | -00  | INTEGRATED CIRCUIT - IC204           | TTLH | 74H30          | * GT NAND 8IN                 |     |    | I      |
| 39       | 34                | EA  |     | W4900128          | -01  | INTEGRATED CIRCUIT, DIGITAL          | TTL  | 7438           | QUAD 2IN NAND                 |     |    | I      |
| 42       | 3                 | EA  |     | W4900093          | -01  | INTEGRATED CIRCUIT, DIGITAL          | TTLH | 74H50          |                               |     |    | A      |
| 43       | 1                 | EA  | I   | 5036519           | -00  | INTEGRATED CIRCUIT DIGITAL           |      |                | 2, 2WIDE 2INPUT AND/OR INVERT |     |    | I      |
| 44       | 1                 | EA  | I   | 9004329           | -01  | INTEGRATED CIRCUIT DIGITAL           | TTL  | GT             | 2-2-2-3 AUXI                  | 0   |    | I      |
| 46       | 10                | EA  | I   | 3008194           | -00  | INTEGRATED CIRCUIT                   | TTL  | 7474           | * FF D DUAL                   |     |    | I      |
| 47       | 11                | EA  | I   | 5036157           | -00  | INTEGRATED CIRCUIT DIGITAL           |      |                | DUAL D TYPE EDGE TRIG. F-F    |     |    | A      |
| 48       | 2                 | EA  | I   | 3008195           | -00  | INTEGRATED CIRCUIT                   | TTL  | 7475           | * REG LATCH 4BT               |     |    | I      |
| 49       | 4                 | EA  | I   | 3006204           | -00  | INTEGRATED CIRCUIT - IC7             | TTL  | 7493           | * CNTR 4BT                    |     |    | I      |
| 50       | 6                 | EA  | I   | 9004321           | -01  | INTEGRATED CIRCUIT DIGITAL           | TTL  | FF             | 2 JK ET                       |     |    | BT 0 I |

MAIN: LC NO. 8 22V  
**SPERRY UNIVAC PARTS LIST**  
 SPERRY UNIVAC IS A DIVISION OF SPERRY CORPORATION

MFG CODE  
 J , W

ISSUE DATE

81/01/06

CONTROL

W 777

**PL**

DOC NO.

W4400619

C

8

SHEET

29

TITLE  
**PC ASSEMBLY - OPTION RD DM357**

PCC

ADC

PCD

COMM CODE

CA

U/M  
 EA

ST  
 A

TYPE  
 M

SIZE  
 C

CLASS  
 A

| FIND NO. | QUANTITY REQUIRED | U/M | PCC | PART OR IDENT NO. |      | EIR AND PART DESCRIPTION INFORMATION                   |      |       |                            | ECC | ST | CHG |
|----------|-------------------|-----|-----|-------------------|------|--|------|-------|----------------------------|-----|----|-----|
|          |                   |     |     | DOCUMENT NO.      | DASH |  |      |       |                            |     |    |     |
| 51       | 2                 | EA  | I   | 3007952           | -00  | INTEGRATED CIRCUIT                                     | TTL  | 74123 | * MVB DUAL RGT             |     |    | I   |
| 52       | 1                 | EA  | I   | 4915632           | -00  | INTEGRATED CIRCUIT                                     | TTL  | 74150 | MLPX 1 OF 16               |     |    | I   |
| 53       | 8                 | EA  |     | 2899585           | -00  | INTEGRATED CIRCUIT DIGITAL                             | TTL  | 74170 | * REG FILE 4X4             |     |    | A   |
| 54       | 3                 | EA  | I   | 3007845           | -00  | INTEGRATED CIRCUIT                                     | TTL  | 74193 | * CNTR 4BT U/D             |     |    | I   |
| 55       | 6                 | EA  |     | 2510193           | -00  | INTEGRATED CIRCUIT, DIGITAL                            |      |       |                            |     |    | I   |
| 56       | 2                 | EA  | I   | 3008031           | -00  | INTEGRATED CIRCUIT                                     | TTL  | 74122 | * MVB RGT W/C              |     |    | I   |
| 57       | 3                 | EA  |     | W4900010          | -00  | INTEGRATED CIRCUIT, DIGITAL                            | DTL  | 844   | * GT 2IN NAND              |     |    | A   |
| 58       | 16                | EA  | I   | 5036505           | -00  | INTEGRATED CIRCUIT                                     | TTLH | 74H08 | * GT AND 2IN               |     |    | I   |
| 59       | 3                 | EA  | I   | 5036522           | -00  | INTEGRATED CIRCUIT DIGITAL                             | TTL  | 3003  | * GT OR 2IN                |     |    | I   |
| 60       | 3                 | EA  | I   | 2899586           | -00  | INTEGRATED CIRCUIT DIGITAL                             | TTL  | 74174 | * FF HEX D                 |     |    | A   |
| 61       | 2                 | EA  |     | W8001000          | -04  | DELAY LINE   |      |       | 30.00NSEC TD 3TERM 390 OHM |     |    | A   |
|          |                   |     |     | REF DES ( 1)      |      | DL1, DL2,  |      |       |                            |     |    |     |
| 63       | 18                | EA  |     | W6502500          | 362  | RES, FXD, COMPOSITION, 1/4W, 5%                        |      | 3600  | OHMS                       |     |    | A   |
|          |                   |     |     | REF DES ( 1)      |      | R1-R18,  |      |       |                            |     |    |     |
| 64       | 4                 | EA  |     | W6502500          | 121  | RES, FXD, COMPOSITION, 1/4W, 5%                        |      | 120   | OHMS                       |     |    | A   |
|          |                   |     |     | REF DES ( 1)      |      | R19-R21, R86,  |      |       |                            |     |    |     |
| 67       | 4                 | EA  |     | W7100004          | 101  | CAPACITOR, FIXED, CERAMIC DIELECTRIC 1.0 UF +80%, -20% |      |       |                            |     |    | A   |
|          |                   |     |     | REF DES ( 1)      |      | C1, C2, C8, C9,  |      |       |                            |     |    |     |
| 68       | 2                 | EA  |     | W6502500          | 123  | RES, FXD, COMPOSITION, 1/4W, 5%                        |      | 12K   |                            |     |    | A   |
|          |                   |     |     | REF DES ( 1)      |      | R31, R56,  |      |       |                            |     |    |     |
| 69       | 30                | EA  |     | W6502500          | 471  | RES, FXD, COMPOSITION, 1/4W, 5%                        |      | 470   | OHMS                       |     |    | A   |
|          |                   |     |     | REF DES ( 1)      |      | R22, R23, R27-R30, R34, ( 2) R39, R62, R75-R81, R63-   |      |       |                            |     |    |     |
|          |                   |     |     | REF DES ( 3)      |      | R74, R57, R58,   |      |       |                            |     |    |     |
| 72       | 1                 | EA  |     | W6502500          | 182  | RES, FXD, COMPOSITION, 1/4W, 5%                        |      | 1800  | OHMS                       |     |    | A   |
|          |                   |     |     | REF DES ( 1)      |      | R37,   |      |       |                            |     |    |     |

# UNIVAC PARTS LIST

SPERRY UNIVAC IS A DIVISION OF SPERRY CORPORATION

MFG CODE  
J, W

ISSUE DATE

81/01/06

CONTROL

W 777

DOC NO.

PL

W4400619

AG

8

SHEET

30

TITLE  
**PC ASSEMBLY - OPTION BD DM357**

PCC ADC PCD

COMM CODE

CA

U/M

ST

TYPE

SIZE

CLASS

EA

A

M

C

A

| FIND NO. | QUANTITY REQUIRED | U/M | PCC | PART OR IDENT NO. |      | EIR AND PART DESCRIPTION INFORMATION           | ECC | ST | CHG |
|----------|-------------------|-----|-----|-------------------|------|--|-----|----|-----|
|          |                   |     |     | DOCUMENT NO.      | DASH |  |     |    |     |
| 73       | 24                | EA  |     | W6502500          | 102  | RES,FXD,COMPOSITION,1/4W,5% 1000 OHMS          |     |    | A   |
|          |                   |     |     | REF DES ( 1)      |      | R24,R33,R35,R36,R38, ( 2) R41,R43,R45,R47,R48, |     |    |     |
|          |                   |     |     | REF DES ( 3)      |      | R60,R61,R83,R87-R90, ( 4) R95-R101,            |     |    |     |
| 74       | 1                 | EA  |     | W6502500          | 303  | RES,FXD,COMPOSITION,1/4W,5% 30K                |     |    | A   |
|          |                   |     |     | REF DES ( 1)      |      | R42,   |     |    |     |
| 75       | 1                 | EA  |     | W6502500          | 223  | RES,FXD,COMPOSITION,1/4W,5% 22K                |     |    | A   |
|          |                   |     |     | REF DES ( 1)      |      | R44,   |     |    |     |
| 76       | 1                 | EA  |     | W6502500          | 203  | RES,FXD,COMPOSITION,1/4W,5% 20K                |     |    | A   |
|          |                   |     |     | REF DES ( 1)      |      | R46,   |     |    |     |
| 77       | 2                 | EA  |     | W6502500          | 151  | RES,FXD,COMPOSITION,1/4W,5% 150 OHMS           |     |    | A   |
|          |                   |     |     | REF DES ( 1)      |      | R32,R49,                                       |     |    |     |
| 78       | 1                 | EA  |     | W6502500          | 513  | RES,FXD,COMPOSITION,1/4W,5% 51K                |     |    | A   |
|          |                   |     |     | REF DES ( 1)      |      | R50,   |     |    |     |
| 79       | 1                 | EA  |     | W6502500          | 512  | RES,FXD,COMPOSITION,1/4W,5% 5100 OHMS          |     |    | A   |
|          |                   |     |     | REF DES ( 1)      |      | R92,   |     |    |     |
| 80       | 2                 | EA  |     | W6502010          | 202  | RESISTOR, FIXED, COMPOSITION 2 K 5% 2W         |     |    | A   |
|          |                   |     |     | REF DES ( 1)      |      | R51,R55,                                       |     |    |     |
| 81       | 1                 | EA  |     | W6501010          | 471  | RESISTOR, FIXED, COMPOSITION 470 OHMS 5% 1W    |     |    | A   |
|          |                   |     |     | REF DES ( 1)      |      | R53,   |     |    |     |
| 82       | 1                 | EA  |     | W6501010          | 101  | RESISTOR, FIXED, COMPOSITION 100 OHMS 5% 1W    |     |    | A   |
|          |                   |     |     | REF DES ( 1)      |      | R52,   |     |    |     |
| 84       | 2                 | EA  |     | W6502500          | 391  | RES,FXD,COMPOSITION,1/4W,5% 390 OHMS           |     |    | A   |
|          |                   |     |     | REF DES ( 1)      |      | R59,R82,                                       |     |    |     |
| 85       | 1                 | EA  | C   | 4916657           | -06  | CAP FXD CER DIEL 50V +80 - 20% 100K PF         |     |    | A   |
|          |                   |     |     | REF DES ( 1)      |      | C4,  |     |    |     |

SPERRY UNIVAC PARTS LIST

SPERRY UNIVAC IS A DIVISION OF SPERRY CORPORATION

MFG CODE  
J, W

ISSUE DATE

81/01/06

CONTROL

W 777

PL

DOC NO.

W4400619

SHEET

8 31

|  |  |  |  |     |     |     |           |    |           |         |           |           |            |
|--|--|--|--|-----|-----|-----|-----------|----|-----------|---------|-----------|-----------|------------|
| TITLE<br>PC ASSEMBLY - OPTION 8D DM357 |  |  |  | PCC | ADC | PCD | COMM CODE | CA | U/M<br>EA | ST<br>A | TYPE<br>M | SIZE<br>C | CLASS<br>A |
|--|--|--|--|-----|-----|-----|-----------|----|-----------|---------|-----------|-----------|------------|

| FIND NO. | QUANTITY REQUIRED | U/M | PCC | PART OR IDENT NO. |  | EIR AND PART DESCRIPTION INFORMATION                   | ECC | ST | CHG |
|----------|-------------------|-----|-----|-------------------|--|--|-----|----|-----|
|          |                   |     |     | DOCUMENT NO.      | DASH   |  |     |    |     |
| 86       | 1                 | EA  |     | W7100352          | 154  | CAPACITOR, FIXED, TANT DIEL 35V 10% 150 PF             |     |    | A   |
|          |                   |     |     | REF DES ( 1 )     | C3,  |  |     |    |     |
| 87       | 1                 | EA  |     | W6901500          | 221  | CAPACITOR, FIXED, MICA DIEL 500V 5% 220 PF             |     |    | A   |
|          |                   |     |     | REF DES ( 1 )     | C5,  |  |     |    |     |
| 88       | 1                 | EA  |     | W6901500          | 151  | CAPACITOR, FIXED, MICA DIEL 500V 5% 150 PF             |     |    | A   |
|          |                   |     |     | REF DES ( 1 )     | C6,  |  |     |    |     |
| 89       | 1                 | EA  |     | W6901500          | 330  | CAPACITOR, FIXED, MICA DIEL 500V 5% 33 PF              |     |    | A   |
|          |                   |     |     | REF DES ( 1 )     | C7,  |  |     |    |     |
| 90       | 65                | EA  |     | 6630012           | -05  | CAPACITUR, FIXED, CERAMIC DIEL .010 UF,50VDC,+80%,-20% |     |    | A   |
|          |                   |     |     | REF DES ( 1 )     | C12,C15,C16,C19,C21, ( 2 ) C23,C25-C27,C29,C31,  |  |     |    |     |
|          |                   |     |     | REF DES ( 3 )     | C32,C34-C36,C40,C43- ( 4 ) C45,C47,C49,C51,C53,  |  |     |    |     |
|          |                   |     |     | REF DES ( 5 )     | C55,C57,C59,C63,C64, ( 6 ) C66,C67,C70,C71,C75,  |  |     |    |     |
|          |                   |     |     | REF DES ( 7 )     | C76-C80,C83-C85,C87, ( 8 ) C91-C93,C95,C98,C101- |  |     |    |     |
|          |                   |     |     | REF DES ( 9 )     | C104,C106,C109-C111, (10) C113,C114,C116,C117,   |  |     |    |     |
|          |                   |     |     | REF DES (11)      | C119,C122,C124-C126, (12) C128,                  |  |     |    |     |
| 92       | 2                 | EA  |     | W7701017          | -00  | SEMICONDUCTOR DEVICE, DIODE 200MA                      |     |    | A   |
|          |                   |     |     | REF DES ( 1 )     | CR1,CR2,   |  |     |    |     |
| 93       | 2                 | EA  | D   | 2899056           | -00  | SEMICONDUCTOR DEVICE DIODE SILICON POWER 1N4003        |     |    | A   |
|          |                   |     |     | REF DES ( 1 )     | CR3,CR4,   |  |     |    |     |
| 94       | 1                 | EA  |     | W7600019          | -00  | TRANSISTOR PNP VC80 150V 5.6MW BETA20                  |     |    | A   |
|          |                   |     |     | REF DES ( 1 )     | Q1,  |  |     |    |     |
| 96       | 5                 | EA  |     | W4800007          | -00  | RESISTOR NETWORK, FIXED 28ELEM T1.5 W 2% 200AND 300    |     |    | A   |
| 100      | 5                 | EA  | I   | 5036504           | -00  | INTEGRATED CIRCUIT DIGITAL TTLS 74S04 * GT HEX INVERT  |     |    | A   |
| 101      | 24                | EA  | I   | 3007755           | -00  | INTEGRATED CIRCUIT TTLH 74H04 * GT HEX INVERT          |     |    | I   |
| 102      | 2                 | EA  | I   | 3008186           | -00  | INTEGRATED CIRCUIT TTL 7410 * GT NAND 3IN              |     |    | I   |

# SPERRY UNIVAC PARTS LIST

SPERRY UNIVAC IS A DIVISION OF SPERRY CORPORATION

MFG CODE  
J, W

ISSUE DATE

81/01/06

CONTROL

W 777

DOC NO.

PL

W4400619

AC

8

SHEET

32

|  |  |  |  |  |     |     |     |           |    |           |         |           |           |            |
|--|--|--|--|--|-----|-----|-----|-----------|----|-----------|---------|-----------|-----------|------------|
| TITLE<br>PC ASSEMBLY - OPTION 80 DM357 |  |  |  |  | PCC | ADC | PCD | COMM CODE | CA | U/M<br>EA | ST<br>A | TYPE<br>M | SIZE<br>C | CLASS<br>A |
|--|--|--|--|--|-----|-----|-----|-----------|----|-----------|---------|-----------|-----------|------------|

| FIND NO. | QUANTITY REQUIRED | U/M | PCC | PART OR IDENT NO. |      | EIR AND PART DESCRIPTION INFORMATION                  | ECC | ST | CHG |
|----------|-------------------|-----|-----|-------------------|------|---|-----|----|-----|
|          |                   |     |     | DOCUMENT NO.      | DASH |   |     |    |     |
| 103      | 6                 | EA  | I   | 5036146           | -00  | INTEGRATED CIRCUIT DIGITAL TTLS 74S74 * FF DUAL D     |     |    | A   |
| 104      | 2                 | EA  | I   | 9004633           | -01  | INTEGRATED CIRCUIT DIGITAL TTLS 74S112 * FF DUAL JK   |     |    | A   |
| 108      | 282               | EA  |     | W5800062          | -09  | CONTACT ELECTRICAL, WIRE WARP PLATING, GOLD           |     |    | A   |
| 109      | 2                 | EA  |     | W5700295          | -00  | CUNN, PRINTED CIRCUIT, ELEC SLDR MTD 40 FIXED PINS    |     |    | A   |
| 110      | 1                 | EA  |     | W5700296          | -00  | CONNECTOR, RECTANGULAR, ELEC 9 FIXED SOCKETS RECP     |     |    | A   |
|          |                   |     |     | REF DES ( 1 )     | J8,  |   |     |    |     |
| 113      | 76                | EA  |     | W2600038          | -00  | CLIP, RETAINING .006 THK, BERYLLIUM COPPER            |     |    | A   |
| 114      | 1                 | EA  |     | W7800108          | -00  | SWITCH, TOGGLE, LEVER 2 POSITION                      |     |    | A   |
|          |                   |     |     | REF DES ( 1 )     | S1,  |   |     |    |     |
| 115      | 1                 | EA  |     | W5800189          | -00  | CONNECTOR, COAXIAL, ELECTRICAL 1000 VOLTS, 50 OHMS    |     |    | A   |
|          |                   |     |     | REF DES ( 1 )     | TP1, |   |     |    |     |
| 116      | 2                 | EA  |     | W5700296          | -02  | CONNECTOR, RECTANGULAR, ELEC BRACKET                  |     |    | A   |
| 119      | AR                | IN  |     | W5400001          | 124  | INSULATION SLEEVING, ELEC SIZE 24 BLACK .022 ID       |     |    | A   |
| 120      | 2                 | EA  |     | W2100062          | -01  | SCREW, MACH, PAN HEAD STL PASS XREC 2-56 .180         |     |    | A   |
| 121      | 2                 | EA  |     | W2202560          | -01  | WASHER, FLAT SST PASS.025THK .089ID .2190D            |     |    | A   |
| 122      | 2                 | EA  |     | W2202561          | -02  | WASHER, LOCK, FLAT NO. 2                              |     |    | A   |
| 126      | 1                 | EA  |     | W6502500          | 103  | RES,FXD,COMPOSITION,1/4W,5% 10K                       |     |    | A   |
|          |                   |     |     | REF DES ( 1 )     | R91, |   |     |    |     |
| 127      | 1                 | EA  |     | W6501010          | 331  | RESISTOR, FIXED, COMPOSITION 330 OHMS 5% 1W           |     |    | A   |
|          |                   |     |     | REF DES ( 1 )     | R94, |   |     |    |     |
| 130      | 1                 | EA  |     | W0101653          | -00  | OPTION 80 - MOD KIT                                   |     |    | A   |
| 134      | 1                 | EA  |     | W4900169          | -01  | INTEGRATED CIRCUIT,DIGITAL TTLS 74S74 * FF D SELECTED |     |    | I   |
| 136      | AR                | IN  |     | W5300333          | -90  | WIRE, ELEC 30SLD 300V PVD WHT                         |     |    | A   |
| *****    | *****             | *** | *   | *****             | ***  | SEE TABULATION ON DRAWING VAR DATA PART - 06 *****    |     |    | A   |
| 2        | 2                 | EA  | I   | 5036516           | -00  | INTEGRATED CIRCUIT DIGITAL TTLS 74S10 * GT NAND 3IN   |     |    | A   |

**SPERRY UNIVAC PARTS LIST**

SPERRY UNIVAC IS A DIVISION OF SPERRY CORPORATION

MFG CODE

J, W

ISSUE DATE

81/01/06

CONTROL

W 777

PL

DOC NO.

W4400619

SHEET

33

TITLE  
**PC ASSEMBLY - OPTION BD DM357**

PCC ADC PCD

COMM CODE

CA U/M ST TYPE

SIZE CLASS

| FIND NO. | QUANTITY REQUIRED | U/M | PCC | PART OR IDENT NO. |      | EIR AND PART DESCRIPTION INFORMATION                            | ECC | ST | CHG |
|----------|-------------------|-----|-----|-------------------|------|---|-----|----|-----|
|          |                   |     |     | DOCUMENT NO.      | DASH |   |     |    |     |
| 3        | 1                 | EA  | I   | 5036506           | -00  | INTEGRATED CIRCUIT<br>TTLs 74S11 * GT AND 3IN                   |     |    | A   |
| 4        | 1                 | EA  | I   | 2892079           | -00  | INTEGRATED CIRCUIT DIGITAL<br>TTLs 74S20 * GT NAND 4IN          |     |    | A   |
| 6        | 1                 | EA  | I   | 2892081           | -00  | INTEGRATED CIRCUIT DIGITAL<br>TTLs 74S64 * GT AOI               |     |    | A   |
| 8        | 3                 | EA  | I   | 9004323           | -01  | INTEGRATED CIRCUIT DIGITAL<br>TTL FF 2 JK ET BT                 |     | U  | I   |
| 25       | 6                 | EA  | I   | 5036515           | -00  | INTEGRATED CIRCUIT<br>TTLH 74H00 * GT NAND 2IN                  |     |    | I   |
| 26       | 5                 | EA  | I   | 2899571           | -00  | INTEGRATED CIRCUIT DIGITAL<br>TTLs 74S00 * GT NAND 2IN          |     |    | A   |
| 34       | 2                 | EA  | I   | 2899573           | -00  | INTEGRATED CIRCUIT DIGITAL<br>TTLH 74H11 * GT AND 3IN           |     |    | I   |
| 37       | 1                 | EA  | I   | 3013355           | -00  | INTEGRATED CIRCUIT-IC192<br>TTLH 74H21 * GT AND 4IN             |     |    | I   |
| 39       | 4                 | EA  |     | W4900128          | -01  | INTEGRATED CIRCUIT, DIGITAL<br>TTL 7438 QUAD 2IN NAND           |     |    | I   |
| 42       | 1                 | EA  |     | W4900093          | -01  | INTEGRATED CIRCUIT, DIGITAL<br>TTLH 74H50                       |     |    | A   |
| 47       | 4                 | EA  | I   | 5036157           | -00  | INTEGRATED CIRCUIT DIGITAL<br>DUAL D TYPE EDGE TRIG, F=F        |     |    | A   |
| 51       | 1                 | EA  | I   | 3007952           | -00  | INTEGRATED CIRCUIT<br>TTL 74123 * MVB DUAL RGT                  |     |    | I   |
| 58       | 4                 | EA  | I   | 5036505           | -00  | INTEGRATED CIRCUIT<br>TTLH 74H08 * GT AND 2IN                   |     |    | I   |
| 59       | 1                 | EA  | I   | 5036522           | -00  | INTEGRATED CIRCUIT DIGITAL<br>TTL 3003 * GT OR 2IN              |     |    | I   |
| 64       | 3                 | EA  |     | W6502500          | 121  | RES,FXD,COMPOSITION,1/4W,5%<br>120 OHMS                         |     |    | A   |
|          |                   |     |     | REF DES ( 1)      |      | R19,R21,  |     |    |     |
| 67       | 2                 | EA  |     | W7100004          | 101  | CAPACITOR, FIXED, CERAMIC DIELECTRIC<br>1.0 UF +80%, -20%       |     |    | A   |
|          |                   |     |     | REF DES ( 1)      |      | C1,C2,  |     |    |     |
| 69       | 2                 | EA  |     | W6502500          | 471  | RES,FXD,COMPOSITION,1/4W,5%<br>470 OHMS                         |     |    | A   |
|          |                   |     |     | REF DES ( 1)      |      | R22,R23,  |     |    |     |
| 73       | 7                 | EA  |     | W6502500          | 102  | RES,FXD,COMPOSITION,1/4W,5%<br>1000 OHMS                        |     |    | A   |
|          |                   |     |     | REF DES ( 1)      |      | R24,R87,R88,R95,R96, ( 2) R100,R101,                            |     |    |     |
| 90       | 21                | EA  |     | 6630012           | -05  | CAPACITOR, FIXED, CERAMIC DIELECTRIC<br>.010 UF,50VDC,+80%,-20% |     |    | A   |
|          |                   |     |     | REF DES ( 1)      |      | C12,C19,C26,C27,C35, ( 2) C36,C40,C44,C45,C47,                  |     |    |     |
|          |                   |     |     | REF DES ( 3)      |      | C49,C53,C59,C63,C64, ( 4) C70,C78,C83,C84,C95,                  |     |    |     |

UNIVAC PARTS LIST

MFG CODE

J, W

ISSUE DATE

81/01/06

CONTROL

W 777

DOC NO.

PL

W4400619

AC

8

SHEET

34

SPERRY UNIVAC IS A DIVISION OF SPERRY CORPORATION

|  |  |  |     |     |     |           |    |           |         |           |           |            |
|--|--|--|-----|-----|-----|-----------|----|-----------|---------|-----------|-----------|------------|
| TITLE<br>PC ASSEMBLY - OPTION BD DM357 |  |  | PCC | ADC | PCD | COMM CODE | CA | U/M<br>EA | ST<br>A | TYPE<br>M | SIZE<br>C | CLASS<br>A |
|--|--|--|-----|-----|-----|-----------|----|-----------|---------|-----------|-----------|------------|

| FIND NO. | QUANTITY REQUIRED | U/M | PCC | PART OR IDENT NO. |       | EIR AND PART DESCRIPTION INFORMATION | ECC      | ST        | CHG       |        |       |        |     |
|----------|-------------------|-----|-----|-------------------|-------|--------------------------------------|----------|-----------|-----------|--------|-------|--------|-----|
|          |                   |     |     | DOCUMENT NO.      | DASH  |                                      |          |           |           |        |       |        |     |
|          |                   |     |     | REF DES ( 5)      | C109, |                                      |          |           |           |        |       |        |     |
| 96       | 1                 | EA  |     | W4800007          | -00   | RESISTOR NETWORK, FIXED              | 28ELEM   | 1.5 W     | 2%        | 200AND | 300   | A      |     |
| 100      | 2                 | EA  | I   | 5036504           | -00   | INTEGRATED CIRCUIT DIGITAL           | TTL      | 74S04     | *         | GT     | HEX   | INVERT | A   |
| 101      | 7                 | EA  | I   | 3007755           | -00   | INTEGRATED CIRCUIT                   | TTL      | 74H04     | *         | GT     | HEX   | INVERT | I   |
| 103      | 3                 | EA  | I   | 5036146           | -00   | INTEGRATED CIRCUIT DIGITAL           | TTL      | 74S74     | *         | FF     | DUAL  | D      | A   |
| 104      | 1                 | EA  | I   | 9004633           | -01   | INTEGRATED CIRCUIT DIGITAL           | TTL      | 74S112    | *         | FF     | DUAL  | JK     | A   |
| 108      | 15                | EA  |     | W5800062          | -09   | CONTACT ELECTRICAL, WIRE WARP        | PLATING, | GOLD      |           |        |       | A      |     |
| 113      | 3                 | EA  |     | W2600038          | -00   | CLIP, RETAINING                      | .006     | THK,      | BERYLLIUM | COPPER |       | A      |     |
| 133      | AR                | IN  |     | W5300701          | -00   | WIRE, ELEC                           | 30SLD    | UL V      | TEFLON    | GRN    |       | A      |     |
| *****    | *****             | *** | *   | *****             | ****  | SEE TABULATION ON DRAWING            | VAR DATA | PART - 07 |           | *****  |       | A      |     |
| 2        | 2                 | EA  | I   | 5036516           | -00   | INTEGRATED CIRCUIT DIGITAL           | TTL      | 74S10     | *         | GT     | NAND  | 3IN    | A   |
| 3        | 2                 | EA  | I   | 5036506           | -00   | INTEGRATED CIRCUIT                   | TTL      | 74S11     | *         | GT     | AND   | 3IN    | A   |
| 4        | 1                 | EA  | I   | 2892079           | -00   | INTEGRATED CIRCUIT DIGITAL           | TTL      | 74S20     | *         | GT     | NAND  | 4IN    | A   |
| 6        | 1                 | EA  | I   | 2892081           | -00   | INTEGRATED CIRCUIT DIGITAL           | TTL      | 74S64     | *         | GT     | AOI   |        | A   |
| 8        | 4                 | EA  | I   | 9004323           | -01   | INTEGRATED CIRCUIT DIGITAL           | TTL      | FF        | 2         | JK     | ET    | BT     | 0 I |
| 22       | 2                 | EA  |     | W4900175          | -00   | INTEGRATED CIRCUIT, DIGITAL          | TTL      | 82S62     |           | 9BT    | PARTY | GEN    | A   |
| 25       | 6                 | EA  | I   | 5036515           | -00   | INTEGRATED CIRCUIT                   | TTL      | 74H00     | *         | GT     | NAND  | 2IN    | I   |
| 26       | 6                 | EA  | I   | 2899571           | -00   | INTEGRATED CIRCUIT DIGITAL           | TTL      | 74S00     | *         | GT     | NAND  | 2IN    | A   |
| 30       | 3                 | EA  |     | 6558675           | -00   | INTEGRATED CIRCUIT                   |          |           |           |        |       |        | A   |
| 34       | 2                 | EA  | I   | 2899573           | -00   | INTEGRATED CIRCUIT DIGITAL           | TTL      | 74H11     | *         | GT     | AND   | 3IN    | I   |
| 37       | 3                 | EA  | I   | 3013355           | -00   | INTEGRATED CIRCUIT-IC192             | TTL      | 74H21     | *         | GT     | AND   | 4IN    | I   |
| 39       | 12                | EA  |     | W4900128          | -01   | INTEGRATED CIRCUIT, DIGITAL          | TTL      | 7438      |           | QUAD   | 2IN   | NAND   | I   |
| 42       | 1                 | EA  |     | W4900093          | -01   | INTEGRATED CIRCUIT, DIGITAL          | TTL      | 74H50     |           |        |       |        | A   |
| 47       | 5                 | EA  | I   | 5036157           | -00   | INTEGRATED CIRCUIT DIGITAL           | DUAL     | D         | TYPE      | EDGE   | TRIG. | F=F    | A   |
| 51       | 1                 | EA  | I   | 3007952           | -00   | INTEGRATED CIRCUIT                   | TTL      | 74123     | *         | MVB    | DUAL  | RGT    | I   |



SPERRY UNIVAC PARTS LIST

SPERRY UNIVAC IS A DIVISION OF SPERRY CORPORATION

MFG CODE  
J, W

ISSUE DATE  
81/01/06

CONTROL  
W 777

DOC NO.  
PL W4400619

SHEET  
8 35

|  |  |  |     |     |     |           |    |           |         |           |           |            |
|--|--|--|-----|-----|-----|-----------|----|-----------|---------|-----------|-----------|------------|
| TITLE<br>PC ASSEMBLY - OPTION BD DM357 |  |  | PCC | ADC | PCD | COMM CODE | CA | U/M<br>EA | ST<br>A | TYPE<br>M | SIZE<br>C | CLASS<br>A |
|--|--|--|-----|-----|-----|-----------|----|-----------|---------|-----------|-----------|------------|

| FIND NO. | QUANTITY REQUIRED | U/M | PCC | PART OR IDENT NO.   |      | EIR AND PART DESCRIPTION INFORMATION                    | ECC | ST | CHG |
|----------|-------------------|-----|-----|---|------|---|-----|----|-----|
|          |                   |     |     | DOCUMENT NO.  | DASH |   |     |    |     |
| 58       | 5                 | EA  | I   | 5036505   | -00  | INTEGRATED CIRCUIT TTLH 74H08 * GT AND 2IN              |     |    | I   |
| 59       | 1                 | EA  | I   | 5036522   | -00  | INTEGRATED CIRCUIT DIGITAL TTL 3003 * GT OR 2IN         |     |    | I   |
| 61       | 1                 | EA  |     | W8001000  | -04  | DELAY LINE 30.00NSEC TD 3TERM 390 OHM                   |     |    | A   |
|          |                   |     |     | REF DES ( 1 ) DL1   |      |   |     |    |     |
| 63       | 14                | EA  |     | W6502500  | 362  | RES,FXD,COMPOSITION,1/4W,5% 3600 OHMS                   |     |    | A   |
|          |                   |     |     | REF DES ( 1 ) R1-R12,R17,R18,                                 |      |   |     |    |     |
| 64       | 3                 | EA  |     | W6502500  | 121  | RES,FXD,COMPOSITION,1/4W,5% 120 OHMS                    |     |    | A   |
|          |                   |     |     | REF DES ( 1 ) R19-R21,  |      |   |     |    |     |
| 67       | 2                 | EA  |     | W7100004  | 101  | CAPACITOR, FIXED, CERAMIC DIEI 1.0 UF +80%, -20%        |     |    | A   |
|          |                   |     |     | REF DES ( 1 ) C1,C2,  |      |   |     |    |     |
| 69       | 5                 | EA  |     | W6502500  | 471  | RES,FXD,COMPOSITION,1/4W,5% 470 OHMS                    |     |    | A   |
|          |                   |     |     | REF DES ( 1 ) R22,R23,R29,R57,R58,                            |      |   |     |    |     |
| 73       | 8                 | EA  |     | W6502500  | 102  | RES,FXD,COMPOSITION,1/4W,5% 1000 OHMS                   |     |    | A   |
|          |                   |     |     | REF DES ( 1 ) R24,R60,R61,R87,R95, ( 2 ) R96,R100,R101,       |      |   |     |    |     |
| 84       | 1                 | EA  |     | W6502500  | 391  | RES,FXD,COMPOSITION,1/4W,5% 390 OHMS                    |     |    | A   |
|          |                   |     |     | REF DES ( 1 ) R59,  |      |   |     |    |     |
| 90       | 30                | EA  |     | 6630012   | -05  | CAPACITOR, FIXED, CERAMIC DIEI .010 UF,50VDC,+80%, -20% |     |    | A   |
|          |                   |     |     | REF DES ( 1 ) C12,C19,C26,C27,C35, ( 2 ) C36,C40,C43-C45,C47, |      |   |     |    |     |
|          |                   |     |     | REF DES ( 3 ) C49,C51,C53,C59,C63, ( 4 ) C64,C70,C75-C80,C83, |      |   |     |    |     |
|          |                   |     |     | REF DES ( 5 ) C84,C87,C95,C103, ( 6 ) C109,                   |      |   |     |    |     |
| 96       | 1                 | EA  |     | W4800007  | -00  | RESISTOR NETWORK, FIXED 28ELEM1.5 W 2% 200AND 300       |     |    | A   |
| 100      | 4                 | EA  | I   | 5036504   | -00  | INTEGRATED CIRCUIT DIGITAL TTLS 74S04 * GT HEX INVERT   |     |    | A   |
| 101      | 12                | EA  | I   | 3007755   | -00  | INTEGRATED CIRCUIT TTLH 74H04 * GT HEX INVERT           |     |    | I   |
| 103      | 3                 | EA  | I   | 5036146   | -00  | INTEGRATED CIRCUIT DIGITAL TTLS 74S74 * FF DUAL D       |     |    | A   |
| 104      | 1                 | EA  | I   | 9004633   | -01  | INTEGRATED CIRCUIT DIGITAL TTLS 74S112 * FF DUAL JK     |     |    | A   |

# SPERRY UNIVAC PARTS LIST

SPERRY UNIVAC IS A DIVISION OF SPERRY CORPORATION

MFG CODE

J, W

ISSUE DATE

81/01/06

CONTROL

W 777

DOC NO.

PL

W4400619

AC

8

SHEET

36

TITLE  
PC ASSEMBLY - OPTION RD DM357

PCC ADC PCD

COMM CODE

CA

U/M

ST

TYPE

SIZE

CLASS

EA

A

M

C

A

| FIND NO. | QUANTITY REQUIRED | U/M | PCC | PART OR IDENT NO. |      | EIR AND PART DESCRIPTION INFORMATION                  | ECC | ST | CHG |
|----------|-------------------|-----|-----|-------------------|------|---|-----|----|-----|
|          |                   |     |     | DOCUMENT NO.      | DASH |   |     |    |     |
| 108      | 117               | EA  |     | W5800062          | -09  | CONTACT ELECTRICAL, WIRE WARP PLATING, GOLD           |     |    | A   |
| 113      | 31                | EA  |     | W2600038          | -00  | CLIP, RETAINING .006 THK, BERYLLIUM COPPER            |     |    | A   |
| 133      | AR                | IN  |     | W5300701          | -00  | WIRE, ELEC 30SLD UL V TEFLON GRN                      |     |    | A   |
| 136      | AR                | IN  |     | W5300333          | -90  | WIRE, ELEC 30SLD 300V PVD WHT                         |     |    | A   |
| *****    | *****             | *** | *   | *****             | **** | SEE TABULATION ON DRAWING VAR DATA PART = UB *****    |     |    | A   |
| 2        | 2                 | EA  | I   | 5036516           | -00  | INTEGRATED CIRCUIT DIGITAL TTLS 74S10 * GT NAND 3IN   |     |    | A   |
| 3        | 3                 | EA  | I   | 5036506           | -00  | INTEGRATED CIRCUIT TTLS 74S11 * GT AND 3IN            |     |    | A   |
| 4        | 1                 | EA  | I   | 2892079           | -00  | INTEGRATED CIRCUIT DIGITAL TTLS 74S20 * GT NAND 4IN   |     |    | A   |
| 6        | 1                 | EA  | I   | 2892081           | -00  | INTEGRATED CIRCUIT DIGITAL TTLS 74S64 * GT AOI        |     |    | A   |
| 8        | 6                 | EA  | I   | 9004323           | -01  | INTEGRATED CIRCUIT DIGITAL TTL FF 2 JK ET BT 0        |     | I  |     |
| 14       | 2                 | EA  |     | W4800005          | -00  | UPOELECTRONIC COUPLER PLASTIC                         |     |    | A   |
| 15       | 1                 | EA  |     | W4900348          | -00  | INTEGRATED CIRCUIT, DIGITAL CMOS 6402 UART            |     |    | A   |
| 16       | 1                 | EA  |     | W4900182          | -00  | INTEGRATED CIRCUIT, DIGITAL TTLS 74S113 FF DUAL JK ET |     |    | A   |
| 17       | 1                 | EA  | I   | 3008182           | -00  | INTEGRATED CIRCUIT TTL 7402 * GT NOR 2IN              |     |    | I   |
| 22       | 2                 | EA  |     | W4900175          | -00  | INTEGRATED CIRCUIT, DIGITAL TTL 82S62 9BT PARTY GEN   |     |    | A   |
| 23       | 1                 | EA  | I   | 9001407           | -01  | INTEGRATED CIRCUIT DIGITAL TTL DEC BIN 1 OF 8 BT 0    |     | I  |     |
| 25       | 10                | EA  | I   | 5036515           | -00  | INTEGRATED CIRCUIT TTLH 74H00 * GT NAND 2IN           |     |    | I   |
| 26       | 6                 | EA  | I   | 2899571           | -00  | INTEGRATED CIRCUIT DIGITAL TTLS 74800 * GT NAND 2IN   |     |    | A   |
| 27       | 6                 | EA  | I   | 3013354           | -00  | INTEGRATED CIRCUIT TTLH 74H01 * GT NAND 2IN           |     |    | I   |
| 28       | 1                 | EA  | I   | 2899412           | -00  | INTEGRATED CIRCUIT LINEAR TTL 7403 * GT NAND 2IN      |     |    | A   |
| 30       | 4                 | EA  |     | 6558675           | -00  | INTEGRATED CIRCUIT                                    |     |    | A   |
| 34       | 8                 | EA  | I   | 2899573           | -00  | INTEGRATED CIRCUIT DIGITAL TTLH 74H11 * GT AND 3IN    |     |    | I   |
| 35       | 1                 | EA  | I   | 3008089           | -00  | INTEGRATED CIRCUIT TTL 7413 * GT NAND 4IN             |     |    | I   |
| 36       | 1                 | EA  | I   | 3008187           | -00  | INTEGRATED CIRCUIT TTL 7420 * GT NAND 4IN             |     |    | I   |
| 37       | 6                 | EA  | I   | 3013355           | -00  | INTEGRATED CIRCUIT-IC192 TTLH 74H21 * GT AND 4IN      |     |    | I   |

SPERRY UNIVAC PARTS LIST

SPERRY UNIVAC IS A DIVISION OF SPERRY CORPORATION

MFG CODE

J, W

ISSUE DATE

81/01/06

CONTROL

W 777

DOC NO.

PL

W4400619

IC

8

SHEET

37

TITLE  
PC ASSEMBLY - OPTION HD DM357

PCC ADC PCD

COMM CODE

CA U/M ST TYPE  
EA A M

SIZE  
C

CLASS  
A

| FIND NO. | QUANTITY REQUIRED | U/M | PCC | PART OR IDENT NO. |      | EIR AND PART DESCRIPTION INFORMATION |        |         |                    | ECC | ST | CHG     |   |
|----------|-------------------|-----|-----|-------------------|------|--------------------------------------|--------|---------|--------------------|-----|----|---------|---|
|          |                   |     |     | DOCUMENT NO.      | DASH |                                      |        |         |                    |     |    |         |   |
| 38       | 1                 | EA  |     | 3013468           | -00  | INTEGRATED CIRCUIT - IC204           | TTLH   | 74H30   | * GT NAND 8IN      |     |    | I       |   |
| 39       | 15                | EA  |     | W4900128          | -01  | INTEGRATED CIRCUIT, DIGITAL          | TTL    | 7438    | QUAD 2IN NAND      |     |    | I       |   |
| 42       | 3                 | EA  |     | W4900093          | -01  | INTEGRATED CIRCUIT, DIGITAL          | TTLH   | 74H50   |                    |     |    | A       |   |
| 46       | 10                | EA  | I   | 3008194           | -00  | INTEGRATED CIRCUIT                   | TTL    | 7474    | * FF D DUAL        |     |    | I       |   |
| 47       | 7                 | EA  | I   | 5036157           | -00  | INTEGRATED CIRCUIT DIGITAL           | DUAL D | TYPE    | EDGE TRIG, F=F     |     |    | A       |   |
| 48       | 2                 | EA  | I   | 3008195           | -00  | INTEGRATED CIRCUIT                   | TTL    | 7475    | * REG LATCH 4BT    |     |    | I       |   |
| 49       | 4                 | EA  | I   | 3006204           | -00  | INTEGRATED CIRCUIT - IC7             | TTL    | 7493    | * CNTR 4BT         |     |    | I       |   |
| 50       | 3                 | EA  | I   | 9004321           | -01  | INTEGRATED CIRCUIT DIGITAL           | TTL FF | 2 JK ET |                    | HT  | 0  | I       |   |
| 51       | 2                 | EA  | I   | 3007952           | -00  | INTEGRATED CIRCUIT                   | TTL    | 74123   | * MVB DUAL RGT     |     |    | I       |   |
| 54       | 3                 | EA  | I   | 3007845           | -00  | INTEGRATED CIRCUIT                   | TTL    | 74193   | * CNTR 4BT U/D     |     |    | I       |   |
| 55       | 6                 | EA  |     | 2510193           | -00  | INTEGRATED CIRCUIT, DIGITAL          |        |         |                    |     |    | I       |   |
| 56       | 2                 | EA  | I   | 3008031           | -00  | INTEGRATED CIRCUIT                   | TTL    | 74122   | * MVB RGT W/C      |     |    | I       |   |
| 57       | 3                 | EA  |     | W4900010          | -00  | INTEGRATED CIRCUIT, DIGITAL          | DTL    | 844     | * GT 2IN NAND      |     |    | A       |   |
| 58       | 12                | EA  | I   | 5036505           | -00  | INTEGRATED CIRCUIT                   | TTLH   | 74H08   | * GT AND 2IN       |     |    | I       |   |
| 59       | 2                 | EA  | I   | 5036522           | -00  | INTEGRATED CIRCUIT DIGITAL           | TTL    | 3003    | * GT OR 2IN        |     |    | I       |   |
| 61       | 1                 | EA  |     | W8001000          | -04  | DELAY LINE                           |        |         | 30.00NSEC TD 3TERM |     |    | 390 OHM | A |
|          |                   |     |     | REF DES ( 1)      |      | DL1,                                 |        |         |                    |     |    |         |   |
| 63       | 18                | EA  |     | W6502500          | 362  | RES, FXD, COMPOSITION, 1/4W, 5%      |        |         | 3600 OHMS          |     |    |         | A |
|          |                   |     |     | REF DES ( 1)      |      | R1-R18,                              |        |         |                    |     |    |         |   |
| 64       | 4                 | EA  |     | W6502500          | 121  | RES, FXD, COMPOSITION, 1/4W, 5%      |        |         | 120 OHMS           |     |    |         | A |
|          |                   |     |     | REF DES ( 1)      |      | R19-R21, R86,                        |        |         |                    |     |    |         |   |
| 67       | 4                 | EA  |     | W7100004          | 101  | CAPACITOR, FIXED, CERAMIC DIELECTRIC |        |         | 1.0 UF +80%, -20%  |     |    |         | A |
|          |                   |     |     | REF DES ( 1)      |      | C1, C2, C8, C9,                      |        |         |                    |     |    |         |   |
| 68       | 2                 | EA  |     | W6502500          | 123  | RES, FXD, COMPOSITION, 1/4W, 5%      |        |         | 12K                |     |    |         | A |
|          |                   |     |     | REF DES ( 1)      |      | R31, R56,                            |        |         |                    |     |    |         |   |

**SPERRY UNIVAC PARTS LIST**

SPERRY UNIVAC IS A DIVISION OF SPERRY CORPORATION

MFG CODE  
J, W

ISSUE DATE

81/01/06

CONTROL

W 777

DOC NO.

PL

W4400619

AC

8

SHEET

38

TITLE  
**PC ASSEMBLY - OPTION BD DM357**

PCC ADC PCD

COMM CODE

CA U/M ST TYPE  
EA A M

SIZE

C

CLASS

A

| FIND NO. | QUANTITY REQUIRED | U/M | PCC | PART OR IDENT NO. |      | EIR AND PART DESCRIPTION INFORMATION                   | ECC | ST | CHG |
|----------|-------------------|-----|-----|-------------------|------|--|-----|----|-----|
|          |                   |     |     | DOCUMENT NO.      | DASH |  |     |    |     |
| 69       | 11                | EA  |     | W6502500          | 471  | RES, FXD, COMPOSITION, 1/4W, 5% 470 OHMS               |     |    | A   |
|          |                   |     |     | REF DES           | ( 1) | R22, R23, R34, R27-R30, ( 2) R39, R57, R58, R62,       |     |    |     |
| 72       | 1                 | EA  |     | W6502500          | 182  | RES, FXD, COMPOSITION, 1/4W, 5% 1800 OHMS              |     |    | A   |
|          |                   |     |     | REF DES           | ( 1) | R37,   |     |    |     |
| 73       | 21                | EA  |     | W6502500          | 102  | RES, FXD, COMPOSITION, 1/4W, 5% 1000 OHMS              |     |    | A   |
|          |                   |     |     | REF DES           | ( 1) | R24, R33, R35, R36, R38, ( 2) R41, R43, R45, R47, R48, |     |    |     |
|          |                   |     |     | REF DES           | ( 3) | R60, R61, R83, R87, R89, ( 4) R90, R95, R96, R99-R101, |     |    |     |
| 74       | 1                 | EA  |     | W6502500          | 303  | RES, FXD, COMPOSITION, 1/4W, 5% 30K                    |     |    | A   |
|          |                   |     |     | REF DES           | ( 1) | R42,   |     |    |     |
| 75       | 1                 | EA  |     | W6502500          | 223  | RES, FXD, COMPOSITION, 1/4W, 5% 22K                    |     |    | A   |
|          |                   |     |     | REF DES           | ( 1) | R44,   |     |    |     |
| 76       | 1                 | EA  |     | W6502500          | 203  | RES, FXD, COMPOSITION, 1/4W, 5% 20K                    |     |    | A   |
|          |                   |     |     | REF DES           | ( 1) | R46,   |     |    |     |
| 77       | 2                 | EA  |     | W6502500          | 151  | RES, FXD, COMPOSITION, 1/4W, 5% 150 OHMS               |     |    | A   |
|          |                   |     |     | REF DES           | ( 1) | R32, R49,  |     |    |     |
| 78       | 1                 | EA  |     | W6502500          | 513  | RES, FXD, COMPOSITION, 1/4W, 5% 51K                    |     |    | A   |
|          |                   |     |     | REF DES           | ( 1) | R50,   |     |    |     |
| 79       | 1                 | EA  |     | W6502500          | 512  | RES, FXD, COMPOSITION, 1/4W, 5% 5100 OHMS              |     |    | A   |
|          |                   |     |     | REF DES           | ( 1) | R92,   |     |    |     |
| 80       | 2                 | EA  |     | W6502010          | 202  | RESISTOR, FIXED, COMPOSITION 2 K 5% 2W                 |     |    | A   |
|          |                   |     |     | REF DES           | ( 1) | R51, R55,  |     |    |     |
| 81       | 1                 | EA  |     | W6501010          | 471  | RESISTOR, FIXED, COMPOSITION 470 OHMS 5% 1W            |     |    | A   |
|          |                   |     |     | REF DES           | ( 1) | R53,   |     |    |     |
| 82       | 1                 | EA  |     | W6501010          | 101  | RESISTOR, FIXED, COMPOSITION 100 OHMS 5% 1W            |     |    | A   |
|          |                   |     |     | REF DES           | ( 1) | R52,   |     |    |     |

# SPERRY UNIVAC PARTS LIST

SPERRY UNIVAC IS A DIVISION OF SPERRY CORPORATION

MFG CODE

J, W

ISSUE DATE

81/01/06

CONTROL

W 777

PL

DOC NO.

W4400619

C

8

SHEET

39

TITLE  
PC ASSEMBLY - OPTION BD DM357

PCC

ADC

PCD

COMM CODE

CA

U/M

ST

TYPE

SIZE

CLASS

EA

A

M

C

A

| FIND NO. | QUANTITY REQUIRED | U/M | PCC | PART OR IDENT NO. |      | EIR AND PART DESCRIPTION INFORMATION                   | ECC | ST | CHG |
|----------|-------------------|-----|-----|-------------------|------|--|-----|----|-----|
|          |                   |     |     | DOCUMENT NO.      | DASH |  |     |    |     |
| 84       | 1                 | EA  |     | W6502500          | 391  | RES,FXD,COMPOSITION,1/4W,5% 390 OHMS                   |     |    | A   |
|          |                   |     |     | REF DES ( 1)      |      | R59,   |     |    |     |
| 85       | 1                 | EA  | C   | 4916657           | -06  | CAP FXD CER DIEL 50V +80 - 20% 100K PF                 |     |    | A   |
|          |                   |     |     | REF DES ( 1)      |      | C4,  |     |    |     |
| 86       | 1                 | EA  |     | W7100352          | 154  | CAPACITOR, FIXED, TANT DIEL 35V 10% 150 PF             |     |    | A   |
|          |                   |     |     | REF DES ( 1)      |      | C3,  |     |    |     |
| 87       | 1                 | EA  |     | W6901500          | 221  | CAPACITOR, FIXED, MICA DIEL 500V 5% 220 PF             |     |    | A   |
|          |                   |     |     | REF DES ( 1)      |      | C5,  |     |    |     |
| 88       | 1                 | EA  |     | W6901500          | 151  | CAPACITOR, FIXED, MICA DIEL 500V 5% 150 PF             |     |    | A   |
|          |                   |     |     | REF DES ( 1)      |      | C6,  |     |    |     |
| 89       | 1                 | EA  |     | W6901500          | 330  | CAPACITOR, FIXED, MICA DIEL 500V 5% 33 PF              |     |    | A   |
|          |                   |     |     | REF DES ( 1)      |      | C7,  |     |    |     |
| 90       | 49                | EA  |     | 6630012           | -05  | CAPACITOR, FIXED, CERAMIC DIEL .010 UF,50VDC,+80%,-20% |     |    | A   |
|          |                   |     |     | REF DES ( 1)      |      | C12,C15,C19,C21,C26, ( 2) C27,C29,C31,C35,C36,         |     |    |     |
|          |                   |     |     | REF DES ( 3)      |      | C40,C43-C45,C47,C49, ( 4) C51,C53,C55,C59,C63,         |     |    |     |
|          |                   |     |     | REF DES ( 5)      |      | C64,C70,C75-C80,C83, ( 6) C84,C87,C93,C95,C102,        |     |    |     |
|          |                   |     |     | REF DES ( 7)      |      | C103,C106,C109,C111, ( 8) C113,C114,C116,C117,         |     |    |     |
|          |                   |     |     | REF DES ( 9)      |      | C119,C122,C124-C126, (10) C128,                        |     |    |     |
| 92       | 2                 | EA  |     | W7701017          | -00  | SEMICONDUCTOR DEVICE, DIODE 200MA                      |     |    | A   |
|          |                   |     |     | REF DES ( 1)      |      | CR1,CR2,   |     |    |     |
| 93       | 2                 | EA  | D   | 2899056           | -00  | SEMICONDUCTOR DEVICE DIODE SILICON POWER 1N4003        |     |    | A   |
|          |                   |     |     | REF DES ( 1)      |      | CR3,CR4,   |     |    |     |
| 94       | 1                 | EA  |     | W7600019          | -00  | TRANSISTOR PNP VCBU 150V 5.6MW BETA20                  |     |    | A   |
|          |                   |     |     | REF DES ( 1)      |      | Q1,  |     |    |     |
| 96       | 1                 | EA  |     | W4800007          | -00  | RESISTOR NETWORK, FIXED 28ELEMT1.5 W 2% 200AND 300     |     |    | A   |

**SPERRY UNIVAC PARTS LIST**

SPERRY UNIVAC IS A DIVISION OF SPERRY CORPORATION

MFG CODE

J, W

ISSUE DATE

81/01/06

CONTROL

W 777

PL

DOC NO.

W4400619

AC

8

SHEET

40

TITLE

PC ASSEMBLY - OPTION 8D DM357

PCC

ADC

PCD

COMM CODE

CA

U/M

ST

TYPE

SIZE

CLASS

EA

A

M

C

A

| FIND NO. | QUANTITY REQUIRED | U/M | PCC | PART OR IDENT NO. |      | EIR AND PART DESCRIPTION INFORMATION                  | ECC | ST | CHG |
|----------|-------------------|-----|-----|-------------------|------|---|-----|----|-----|
|          |                   |     |     | DOCUMENT NO.      | DASH |   |     |    |     |
| 100      | 4                 | EA  | I   | 5036504           | -00  | INTEGRATED CIRCUIT DIGITAL TTLS 74S04 * GT HEX INVERT |     |    | A   |
| 101      | 19                | EA  | I   | 3007755           | -00  | INTEGRATED CIRCUIT TTLH 74H04 * GT HEX INVERT         |     |    | I   |
| 102      | 1                 | EA  | I   | 3008186           | -00  | INTEGRATED CIRCUIT TTL 7410 * GT NAND 3IN             |     |    | I   |
| 103      | 3                 | EA  | I   | 5036146           | -00  | INTEGRATED CIRCUIT DIGITAL TTLS 74S74 * FF DUAL D     |     |    | A   |
| 104      | 1                 | EA  | I   | 9004633           | -01  | INTEGRATED CIRCUIT DIGITAL TTLS 74S112 * FF DUAL JK   |     |    | A   |
| 108      | 229               | EA  |     | W5800062          | -09  | CONTACT ELECTRICAL, WIRE WARP PLATING, GOLD           |     |    | A   |
| 110      | 1                 | EA  |     | W5700296          | -00  | CONNECTOR, RECTANGULAR, ELEC 9 FIXED SOCKETS RECP     |     |    | A   |
|          |                   |     |     | REF DES ( 1)      |      | JB,   |     |    |     |
| 113      | 45                | EA  |     | W2600038          | -00  | CLIP, RETAINING .006 THK, BERYLLIUM COPPER            |     |    | A   |
| 114      | 1                 | EA  |     | W7800108          | -00  | SWITCH, TUGGLE, LEVER 2 POSITION                      |     |    | A   |
|          |                   |     |     | REF DES ( 1)      |      | S1,   |     |    |     |
| 115      | 1                 | EA  |     | W5800189          | -00  | CONNECTOR, COAXIAL, ELECTRICAL 1000 VOLTS, 50 OHMS    |     |    | A   |
|          |                   |     |     | REF DES ( 1)      |      | TP1,  |     |    |     |
| 116      | 2                 | EA  |     | W5700296          | -02  | CONNECTOR, RECTANGULAR, ELEC BRACKET                  |     |    | A   |
| 119      | AR                | IN  |     | W5400001          | 124  | INSULATION SLEEVING, ELEC SIZE 24 BLACK .022 ID       |     |    | A   |
| 120      | 2                 | EA  |     | W2100062          | -01  | SCREW, MACH, PAN HEAD STL PASS XREC 2-56 .180         |     |    | A   |
| 121      | 2                 | EA  |     | W2202560          | -01  | WASHER, FLAT SST PASS,025THK .089ID .2190D            |     |    | A   |
| 122      | 2                 | EA  |     | W2202561          | -02  | WASHER, LOCK, FLAT NO. 2                              |     |    | A   |
| 126      | 1                 | EA  |     | W6502500          | 103  | RES,FXD,COMPOSITION,1/4W,5% 10K                       |     |    | A   |
|          |                   |     |     | REF DES ( 1)      |      | R91,  |     |    |     |
| 127      | 1                 | EA  |     | W6501010          | 331  | RESISTOR, FIXED, COMPOSITION 330 OHMS 5% 1W           |     |    | A   |
|          |                   |     |     | REF DES ( 1)      |      | R94,  |     |    |     |
| 133      | AR                | IN  |     | W5300701          | -00  | WIRE, ELEC 30SLD UL V TEFLON GRN                      |     |    | A   |
| 134      | 1                 | EA  |     | W4900169          | -01  | INTEGRATED CIRCUIT,DIGITAL TTLS 74S74 * FF D SELECTED |     |    | I   |
| 135      | 1                 | EA  |     | W8600053          | -02  | LABEL, IDENTIFICATION TTY CRT 700 RED LTR WHT BKGD    |     |    | A   |

MAINT. CELL NO. 220  
**SPERRY UNIVAC PARTS LIST**

SPERRY UNIVAC IS A DIVISION OF SPERRY CORPORATION

MFG CODE

J, W

ISSUE DATE

81/01/06

CONTROL

W 777

PL

DOC NO.

W4400619

5

SHEET

8

41

TITLE  
**PC ASSEMBLY - OPTION BD DM357**

PCC

ADC

PCD

GOMM CODE

CA

U/M

ST

TYPE

SIZE

CLASS

EA

A

M

C

A

| FIND NO. | QUANTITY REQUIRED | U/M | PCC | PART OR IDENT NO. |      | EIR AND PART DESCRIPTION INFORMATION | ECC | ST | CHG |
|----------|-------------------|-----|-----|-------------------|------|--------------------------------------|-----|----|-----|
|          |                   |     |     | DOCUMENT NO.      | DASH |                                      |     |    |     |
| 136      | AR                | IN  |     | W5300333          | -90  | WIRE, ELEC<br>30SLD 300V PVD WHT     |     |    | A   |

NOTES (UNLESS OTHERWISE SPECIFIED)

- 1. RESISTOR VALUES ARE IN FORMS, 1/8W, 5%.
- 2. CAPACITORS ARE 1.0uF, 50V,  $\pm 20\%$ .
- 3. GROUND DISTRIBUTION FOR INTEGRATED CIRCUITS:  
PIN 7 FOR 14 PIN INTEGRATED CIRCUIT  
PIN 8 FOR 16 PIN INTEGRATED CIRCUIT
- 4. POWER DISTRIBUTION FOR INTEGRATED CIRCUITS:  
PIN 14 FOR 14 PIN INTEGRATED CIRCUIT  
PIN 16 FOR 16 PIN INTEGRATED CIRCUIT
- 5. ALL DIODES ARE PDN 400.
- 6. SEE W0101862 FOR SWITCH SETTING.

| REVISIONS |     |        |  |     |          |          |
|-----------|-----|--------|--|-----|----------|----------|
| DATE      | LTR | EN     | DESCRIPTION - FOR DETAILS SEE EN   | CHK | DATE     | APPROVED |
|           | A   | 0722   | PRODUCTION RELEASE   |     | 1/16/79  |          |
|           | B   | 07028  | REVISED ON SH 5 & 6  |     | 1/16/79  |          |
|           | C   | 07595  | REVISED SH 16  |     | 1/20/79  |          |
|           | D   | 07255  | REVISED SHS 1, 3, 31 & 16  |     | 1/31/79  |          |
|           | E   | W34152 | INACTIVATED -00, RELEASED -01, REVISED SH 1.0 & 7.0  |     | 10-10-80 |          |
|           | F   | W34437 | INACTIVATED -01, RELEASED -02, REVISED SH 1.0, 2.0, 3.0, 6.0 - 3.0, 11.0, 12.0, 13.0, 17.0 |     | 11-10-80 |          |

TABLE OF CONTENTS

| SHEET NO. | DESCRIPTION                              |
|-----------|--|
| 1.0       | TITLE SHEET                              |
| 2.0       | INTEGRATED CIRCUIT LOCATION CHART        |
| 3.0       | POWER, GROUND, AND DECOUPLING CAPACITORS |
| 3.1       | CONNECTOR FUNCTION                       |
| 4.0       | POWER UP/DOWN CONTROL                    |
| 5.0       | BURST REFRESH CONTROL                    |
| 6.0       | PRIORITY RESOLVE                         |
| 7.0       | TIMING                                   |
| 8.0       | WRITE CONTROL                            |
| 9.0       | RAS ADDRESS AND TIMING                   |
| 10.0      | RAS STROBE DECODE                        |
| 11.0      | ADDRESS MULTI AND ARRAY DRIVE            |
| 12.0      | ADDRESS MULTI AND ARRAY DRIVE            |
| 13.0      | ADDRESS MULTI AND ARRAY DRIVE            |
| 14.0      | DATA IN MULTI                            |
| 15.0      | DATA OUT MULTI                           |
| 16.0      | VOLTAGE CONTROL                          |
| 17.0      | CHIP SELECT                              |
| 18.0      | ARRAY 0-16K                              |
| 19.0      | ARRAY 16-32K                             |
| 20.0      | ARRAY 32-49K                             |
| 21.0      | ARRAY 49-64K                             |

\* X - 1 THRU 15

| W4400914 | PARTS LIST | AI                                  |
|----------|------------|-------------------------------------|
| W4400914 | ASSEMBLY   | CR26 CR5                            |
| W400748  | SD DETAIL  | R176 R26, 27, 42, 134, 135, 153-157 |
| W701266  | SOLDERMASK | C404 C12, 25, 79, 134               |
| W9701265 | SILKSCREEN | K1617. 1038 394546 97-99 118-199 *  |
| W9701264 | ARTWORK    | HIGHEST NOT USED                    |

REFERENCE DRAWINGS

REFERENCE DESIGNATIONS

MULTISTATUS DWG

SEE P. FOR PART NUMBER STATUS

COMPANY CONFIDENTIAL INFORMATION

THIS DOCUMENT CONTAINS CONFIDENTIAL INFORMATION OF THE SPERRY RAND CORPORATION. IN CONSIDERATION OF THE RECEIPT OF THIS DOCUMENT, THE RECIPIENT AGREES NOT TO REPRODUCE, COPY, USE OR TRANSMIT THIS DOCUMENT AND/OR THE INFORMATION THEREIN CONTAINED IN WHOLE OR IN PART, OR TO SUFFER SUCH ACTION BY OTHERS, FOR ANY PURPOSE, EXCEPT WITH THE WRITTEN PERMISSION, FIRST OBTAINED, OF SPERRY RAND CORPORATION, AND FURTHER AGREES TO SURRENDER SAME TO SPERRY RAND CORPORATION WHEN THE REASON FOR ITS RECEIPT HAS TERMINATED.

SPERRY RAND IS A DIVISION OF SPERRY RAND CORPORATION

ASSEMBLY NO.

IDENT NO. W3100661-02

LAYOUT: *[Signature]* DATE: 2/12/79

DRAFTSMAN: TIEN NGUYEN

CHECKER: *[Signature]* 2/16/79

ENGINEER: *[Signature]* 2/16/79

APPROVAL: *[Signature]*

CLASS: SPERRY UNIVAC

TITLE: LOGIC DIAGRAM MEMORY, SEMICOND

SIZE: C

CODE IDENT NO.: 21101

DWG NO.: W9100661

REV: F

| SHEET | REV | 1.0 | 2.0 | 3.0 | 4.0 | 5.0 | 6.0 | 7.0 | 8.0 | 9.0 | 10.0 | 11.0 | 12.0 | 13.0 | 14.0 | 15.0 | 16.0 | 17.0 | 18.0 |
|-------|-----|-----|-----|-----|-----|-----|-----|-----|-----|-----|------|------|------|------|------|------|------|------|------|
|       |     |     |     |     |     |     |     |     |     |     |      |      |      |      |      |      |      |      |      |
|       |     |     |     |     |     |     |     |     |     |     |      |      |      |      |      |      |      |      |      |
|       |     |     |     |     |     |     |     |     |     |     |      |      |      |      |      |      |      |      |      |

SHEET INDEX REV LTR OF FIRST SHEET WILL APPLY TO ALL SHEETS.



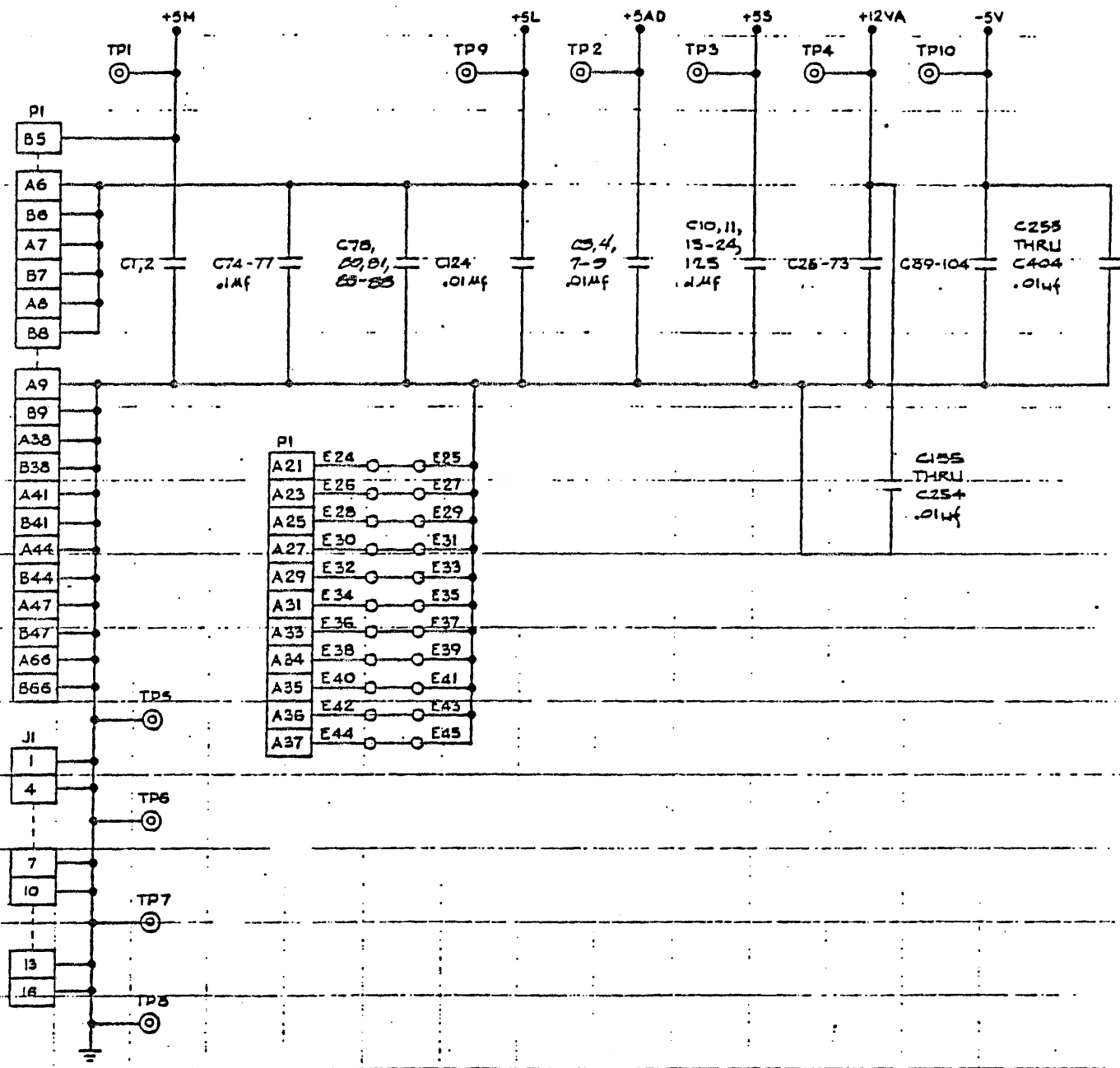
| LOC  | CHIP TYPE | WHERE USED                    |
|------|-----------|-------------------------------|
| IC1  | 74LS51    | 11.0 11.0                     |
| IC2  | 74LS51    | 12.0 12.0                     |
| IC3  | 74LS51    | 13.0 13.0                     |
| IC4  | 5404      | 2.0 3.0 3.0 3.0               |
| IC5  | 5404      | 2.0 3.0 3.0 3.0               |
| IC6  | 7438(SEL) | 5.0 5.0 5.0 5.0               |
| IC7  | 74LS51    | 14.0 14.0                     |
| IC8  | 7438(SEL) | 15.0 15.0 15.0 15.0           |
| IC9  | 74LS51    | 14.0 14.0                     |
| IC10 | 7438(SEL) | 15.0 15.0 15.0 15.0           |
| IC11 | 74LS51    | 14.0 14.0                     |
| IC12 | 7438(SEL) | 15.0 15.0 15.0 15.0           |
| IC13 | 74LS51    | 14.0 14.0                     |
| IC14 | 7438(SEL) | 15.0 15.0 15.0 15.0           |
| IC15 | 74LS51    | 11.0 11.0                     |
| IC16 | 74LS51    | 12.0 12.0                     |
| IC17 | 74LS51    | 13.0 13.0                     |
| IC18 | 74531     | 2.0 3.0                       |
| IC19 | 74531     | 2.0 3.0                       |
| IC20 | 7438(SEL) | 15.0 15.0                     |
| IC21 | 74LS51    | 14.0 14.0                     |
| IC22 | 7438(SEL) | 15.0 15.0 15.0 15.0           |
| IC23 | 74LS51    | 14.0 14.0                     |
| IC24 | 7438(SEL) | 15.0 15.0 15.0 15.0           |
| IC25 | 74LS51    | 14.0 14.0                     |
| IC26 | 7438(SEL) | 15.0 15.0 15.0 15.0           |
| IC27 | 74LS51    | 14.0 14.0                     |
| IC28 | 7438(SEL) | 15.0 15.0 15.0 15.0           |
| IC29 | 74LS04    | 15.0 15.0 15.0 15.0 15.0 15.0 |
| IC30 | 74LS04    | 15.0 15.0 15.0 15.0 15.0 15.0 |
| IC31 | 74LS04    | 15.0 15.0 15.0 15.0 15.0 15.0 |
| IC32 | 74H04     | 14.0 14.0 14.0 14.0 14.0 14.0 |
| IC33 | 74H04     | 14.0 14.0 14.0 14.0 14.0 14.0 |
| IC34 | 74H04     | 14.0 14.0 14.0 14.0 14.0 14.0 |
| IC35 | 74S153    | 11.0                          |
| IC36 | 74S153    | 12.0                          |
| IC37 | 74S153    | 13.0                          |
| IC40 | 74LS51    | 14.0 14.0                     |
| IC41 | 74LS04    | 6.0 6.0                       |
| IC42 | 74LS51    | 8.0 8.0                       |
| IC43 | 74161     | 5.0                           |
| IC44 | 74161     | 5.0                           |

| LOC   | CHIP TYPE | WHERE USED                    |
|-------|-----------|-------------------------------|
| IC47  | 74300     | 9.0 9.0 9.0 9.0               |
| IC47S | 74504     | 12.0 12.0 12.0 12.0           |
| IC48  | 74S140    | 10.0 10.0                     |
| IC49  | 74504     | 11.0 11.0 12.0 12.0 13.0 13.0 |
| IC50  | 74500     | 17.0                          |
| IC52  | 74504     | 8.0 8.0 8.0 8.0               |
| IC53  | 74H21     | 14.0 14.0                     |
| IC54  | 74H21     | 14.0 14.0                     |
| IC55  | 74S140    | 8.0 8.0                       |
| IC56  | 74S140    | 8.0 8.0                       |
| IC57  | 74304     | 11.0 11.0 12.0 12.0 13.0 13.0 |
| IC58  | 74S124    | 7.0                           |
| IC59  | 74S40     | 7.0 7.0                       |
| IC60  | 74504     | 6.0 6.0 7.0 11.0 11.0 7.0     |
| IC61  | 74H21     | 15.0 15.0                     |
| IC62  | 74H21     | 15.0 15.0                     |
| IC63  | 74S140    | 10.0 10.0                     |
| IC64  | 74S04     | 11.0 11.0 12.0 12.0 13.0 13.0 |
| IC65  | 74S175    | 7.0                           |
| IC66  | 74S175    | 7.0                           |
| IC67  | 74H21     | 5.0 7.0                       |
| IC68  | 74500     | 5.0 7.0 7.0                   |
| IC69  | 74H21     | 5.0 2.0                       |
| IC70  | 74S140    | 10.0 10.0                     |
| IC71  | 74S04     | 11.0 11.0 12.0 12.0 13.0 13.0 |
| IC72  | 74S175    | 7.0                           |
| IC73  | 74S175    | 7.0                           |
| IC74  | 74S11     | 9.0                           |
| IC75  | 74S11     | 2.0 7.0 7.0                   |
| IC76  | 74S140    | 10.0 10.0                     |
| IC77  | 74S140    | 8.0 8.0                       |
| IC78  | 74S04     | 11.0 11.0 12.0 12.0 13.0 13.0 |
| IC79  | 7400      | 5.0                           |
| IC80  | 74122     | 5.0                           |
| IC81  | NE555     | 5.0                           |
| IC81S | 74504     | 17.0 17.0 17.0 17.0           |
| IC82  | 74S140    | 10.0 10.0                     |
| IC83  | 74504     | 11.0 11.0 12.0 12.0 13.0 13.0 |
| IC84  | 74S140    | 8.0 8.0                       |
| IC85  | 7474      | 5.0                           |
| IC86  | 74LS00    | 4.0 4.0 4.0                   |
| IC87  | NE555     | 4.0                           |
| IC88  | 74S140    | 10.0 10.0                     |
| IC89  | 74S04     | 11.0 11.0 12.0 12.0 13.0 13.0 |
| IC90  | NE555     | 16.0                          |
| IC91  | 7415      | 4.0 4.0                       |
| IC92  | 7404      | 4.0 4.0 4.0 4.0               |

| LOC    | CHIP TYPE | WHERE USED                    |
|--------|-----------|-------------------------------|
| IC93   | NE555     | 4.0                           |
| IC94   | 74S140    | 10.0 10.0                     |
| IC95   | 74S04     | 11.0 11.0 12.0 12.0 13.0 13.0 |
| IC96   | NE555     | 5.0                           |
| IC98   | 4K RAM    | 18.0                          |
| IC17   |           |                               |
| IC200  |           |                               |
| IC217  |           |                               |
| IC300  |           |                               |
| IC317  |           |                               |
| IC400  |           |                               |
| IC417  |           |                               |
| IC500  |           |                               |
| IC517  |           |                               |
| IC600  |           |                               |
| IC617  |           |                               |
| IC700  |           |                               |
| IC717  |           |                               |
| IC800  |           |                               |
| IC817  |           |                               |
| IC900  |           |                               |
| IC917  |           |                               |
| IC1000 |           |                               |
| IC1017 |           |                               |
| IC1100 |           |                               |
| IC1117 |           |                               |
| IC1200 |           |                               |
| IC1217 |           |                               |
| IC300  |           |                               |
| IC317  |           |                               |
| IC400  |           |                               |
| IC417  |           |                               |
| IC1500 |           |                               |
| IC1517 |           |                               |
| IC1600 |           |                               |
| IC1617 |           |                               |
| IC1600 | 4K RAM    | 21.0                          |
| IC1617 |           |                               |

INTEGRATED CIRCUIT LOCATION CHART

|                |              |           |     |
|----------------|--------------|-----------|-----|
| CODE IDENT NO. | SIZE         | DWG NO    | REV |
| 21101          | C            | W 9100661 | F   |
| SCALE          | SHEET 2.0 OF |           |     |



POWER, GROUND, DECOUPLING CAPACITORS

|                |              |          |     |
|----------------|--------------|----------|-----|
| CODE IDENT NO. | SIZE         | DWG NO.  | REV |
| 21101          | C            | W9100661 | F   |
| SCALE          | SHEET 3.0 OF |          |     |

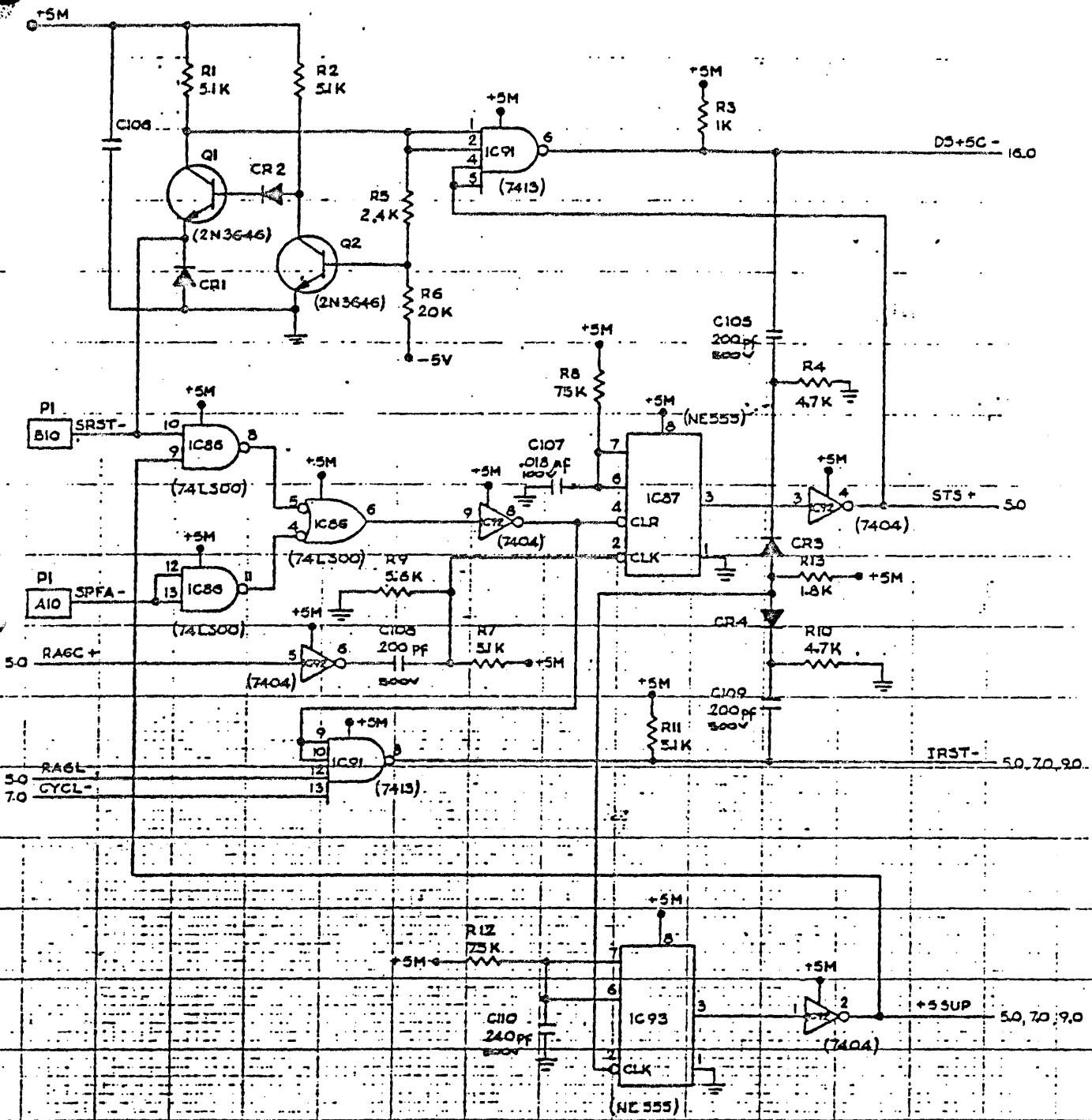
CONNECTOR FUNCTION (I)

CONNECTOR FUNCTION (II)

| PINS | FUNCTION     | SHEET | PINS | FUNCTION | SHEET |
|------|--------------|-------|------|----------|-------|
| A1   | +12V MEM     | N/U   | B1   | +12V MEM | 14.0  |
| A2   | +20.6V       | N/U   | B2   | +20.6V   | N/U   |
| A3   | -12V         | N/U   | B3   | -12V     | N/U   |
| A4   | -12V         | N/U   | B4   | -12V     | N/U   |
| A5   | LFITC+       | N/U   | B5   | +5V M    | 3.0   |
| A6   | +5V L        | 3.0   | B6   | +5V L    | 3.0   |
| A7   | +5V L        | 3.0   | B7   | +5V L    | 3.0   |
| A8   | +5V L        | 3.0   | B8   | +5V L    | 3.0   |
| A9   | GND          | 3.0   | B9   | GND      | 3.0   |
| A10  | SPTA-        | 4.0   | B10  | SST-     | 4.0   |
| A11  | MYA00+       | 11.0  | B11  | MYA00+   | 11.0  |
| A12  | MYA01+       | 11.0  | B12  | MYA01+   | 11.0  |
| A13  | MYA02+       | 12.0  | B13  | MYA02+   | 12.0  |
| A14  | MYA03+       | 12.0  | B14  | MYA03+   | 12.0  |
| A15  | MYA04+       | 13.0  | B15  | MYA04+   | 13.0  |
| A16  | MYA05+       | 13.0  | B16  | MYA05+   | 13.0  |
| A17  | MYA06+       | 11.0  | B17  | MYA06+   | 11.0  |
| A18  | MYA07+       | 11.0  | B18  | MYA07+   | 11.0  |
| A19  | MYA08+       | 12.0  | B19  | MYA08+   | 12.0  |
| A20  | MYA09+       | 12.0  | B20  | MYA09+   | 12.0  |
| A21  | GND (MYA09+) | 3.0   | B21  | MYA09+   | N/U   |
| A22  | MYA10+       | 13.0  | B22  | MYA10+   | 13.0  |
| A23  | GND (MYA10+) | 3.0   | B23  | MYA10+   | N/U   |
| A24  | MYA11+       | 13.0  | B24  | MYA11+   | 13.0  |
| A25  | GND (MYA11+) | 3.0   | B25  | MYA11+   | N/U   |
| A26  | MYA12+       | 9.0   | B26  | MYA12+   | 9.0   |
| A27  | GND (MYA12+) | 3.0   | B27  | MYA12+   | N/U   |
| A28  | MYA13+       | 9.0   | B28  | MYA13+   | 9.0   |
| A29  | GND (MYA13+) | 3.0   | B29  | MYA13+   | N/U   |
| A30  | MYA14+       | 9.0   | B30  | MYA14+   | 9.0   |
| A31  | GND (MYA14+) | 3.0   | B31  | MYA14+   | N/U   |
| A32  | MYA15+       | 9.0   | B32  | MYA15+   | 9.0   |
| A33  | GND (MYA15+) | 3.0   | B33  | MYA15+   | N/U   |
| A34  | GND (MYA16+) | 3.0   | B34  | MYA16+   | N/U   |
| A35  | GND (MYA17+) | 3.0   | B35  | MYA17+   | N/U   |
| A36  | GND (MYA18+) | 3.0   | B36  | MYA18+   | N/U   |
| A37  | GND (MYA19+) | 3.0   | B37  | MYA19+   | N/U   |
| A38  | GND          | 3.0   | B38  | GND      | 3.0   |
| A39  | MRQYA-       | 4.0   | B39  | MRQYB-   | 4.0   |
| A40  | MRMYA-       | N/U   | B40  | MRMYB-   | N/U   |
| A41  | GND          | 3.0   | B41  | GND      | 3.0   |
| A42  | YDNMA-       | 5.0   | B42  | YDNMB-   | 5.0   |
| A43  | MHMY-        | 4.0   | B43  | MHGY-    | 4.0   |
| A44  | GND          | 3.0   | B44  | GND      | 3.0   |
| A45  | MWYA+        | 7.0   | B45  | MWYB+    | 7.0   |
| A46  | MWLYA+       | 7.0   | B46  | MWLYB+   | 7.0   |
| A47  | GND          | 3.0   | B47  | GND      | 3.0   |
| A48  | MYDA00-      | 15.0  | B48  | MYDA00-  | 15.0  |
| A49  | MYDA01-      | 15.0  | B49  | MYDA01-  | 15.0  |
| A50  | MYDA02-      | 15.0  | B50  | MYDA02-  | 15.0  |
| A51  | MYDA03-      | 15.0  | B51  | MYDA03-  | 15.0  |
| A52  | MYDA04-      | 15.0  | B52  | MYDA04-  | 15.0  |
| A53  | MYDA05-      | 15.0  | B53  | MYDA05-  | 15.0  |
| A54  | MYDA06-      | 15.0  | B54  | MYDA06-  | 15.0  |
| A55  | MYDA07-      | 15.0  | B55  | MYDA07-  | 15.0  |
| A56  | MYDA08-      | 15.0  | B56  | MYDA08-  | 15.0  |
| A57  | MYDA09-      | 15.0  | B57  | MYDA09-  | 15.0  |
| A58  | MYDA10-      | 15.0  | B58  | MYDA10-  | 15.0  |
| A59  | MYDA11-      | 15.0  | B59  | MYDA11-  | 15.0  |
| A60  | MYDA12-      | 15.0  | B60  | MYDA12-  | 15.0  |
| A61  | MYDA13-      | 15.0  | B61  | MYDA13-  | 15.0  |
| A62  | MYDA14-      | 15.0  | B62  | MYDA14-  | 15.0  |
| A63  | MYDA15-      | 15.0  | B63  | MYDA15-  | 15.0  |
| A64  | MYDA16-      | 15.0  | B64  | MYDA16-  | 15.0  |
| A65  | MYDA17-      | 15.0  | B65  | MYDA17-  | 15.0  |
| A66  | GND          | 3.0   | B66  | GND      | 3.0   |

| PINS | FUNCTION  | SHEET |
|------|-----------|-------|
| 1    | GND       | 3.0   |
| 2    | MRQMB-    | 4.0   |
| 3    | N/U (KEY) |       |
| 4    | GND       | 3.0   |
| 5    | N/U       |       |
| 6    | N/U       |       |
| 7    | GND       | 3.0   |
| 8    | MRQYR-    | 5.0   |
| 9    | N/U (KEY) |       |
| 10   | GND       | 3.0   |
| 11   | N/U       |       |
| 12   | N/U       |       |
| 13   | GND       | 3.0   |
| 14   | MRQMA-    | 6.0   |
| 15   | N/U (KEY) |       |
| 16   | GND       | 3.0   |

|                 |           |           |      |
|-----------------|-----------|-----------|------|
| DOC. IDENT. NO. | SIZE      | DWG. NO.  | REV. |
| 21101           | C         | W 9100661 | F    |
| SCALE           | SHEET 3.1 |           |      |



POWER UP / DOWN CONTROL

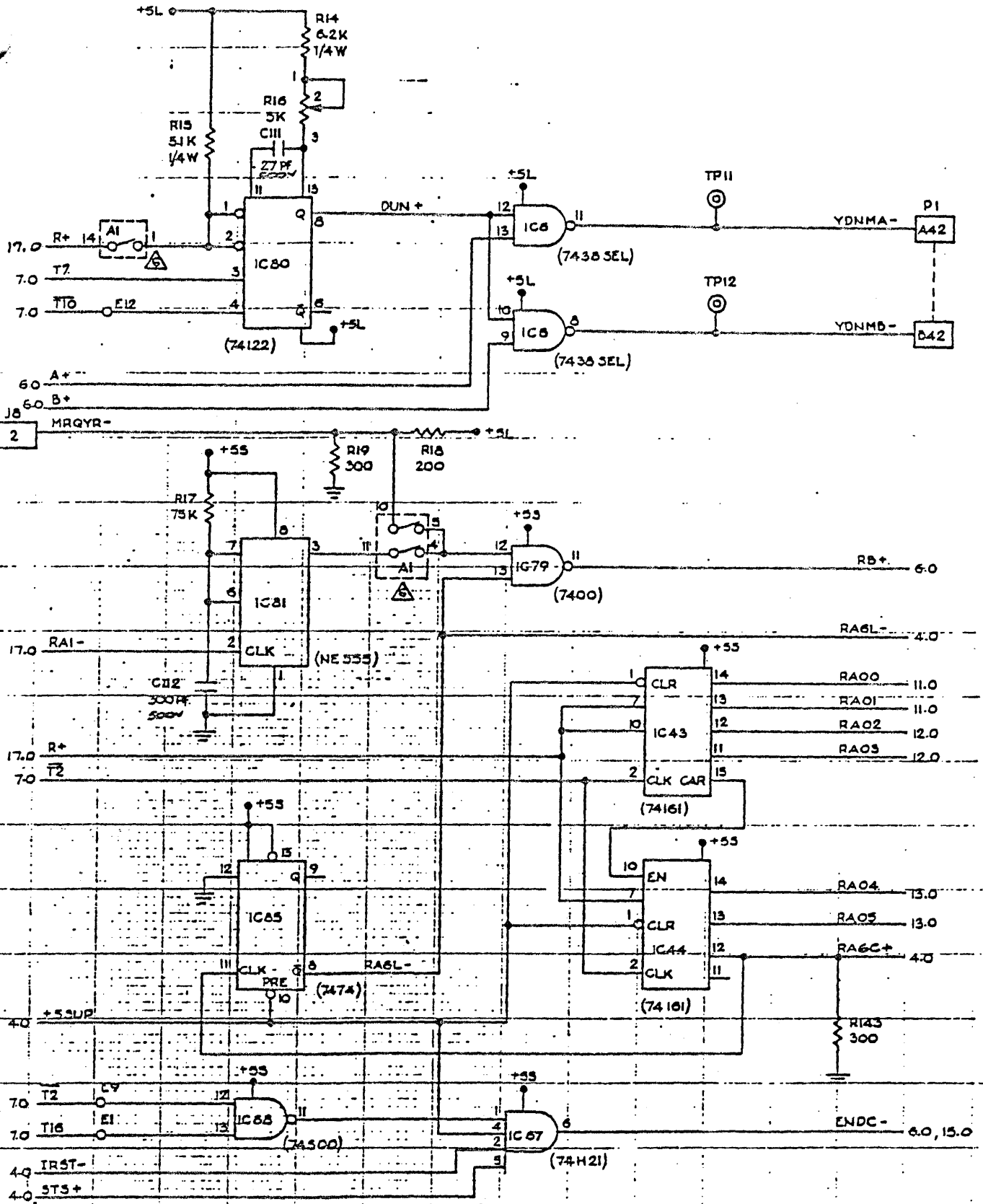
|       |     |      |      |           |             |
|-------|-----|------|------|-----------|-------------|
| CODE  | REV | DATE | SIZE | DWG NO    | REV         |
| 21101 | C   |      |      | W 9100661 | F           |
| SCALE |     |      |      |           | PAGE 4 OF 4 |

4

3

2

1



BURST / REFRESH CONTROL

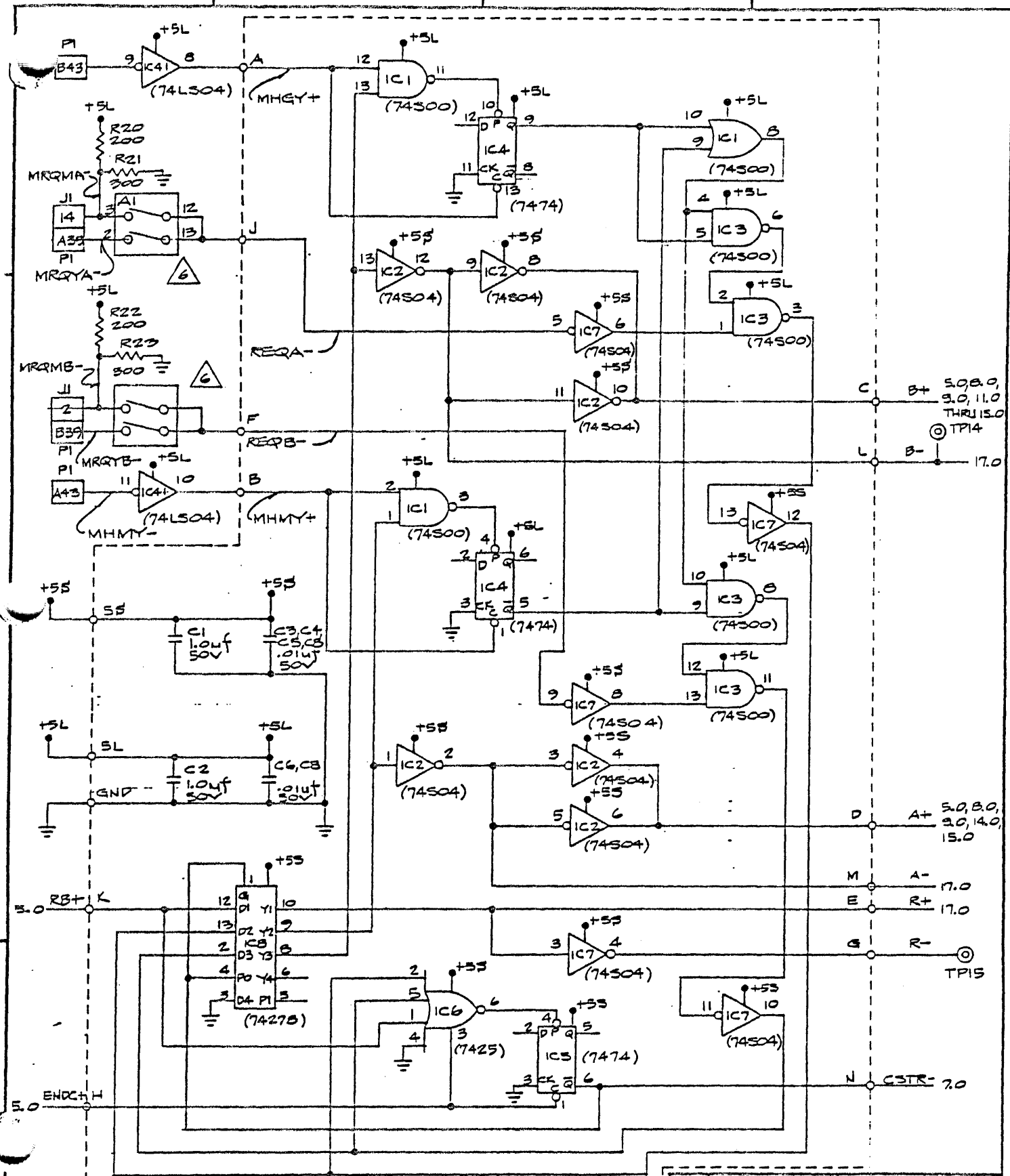
|                 |              |          |     |
|-----------------|--------------|----------|-----|
| CODE IDENTIFIER | SIZE         | DRWG NO  | REV |
| 21101           | C            | W9100661 | F   |
| SCALE           | SHEET 5.0 OF |          |     |

4

3

2

1

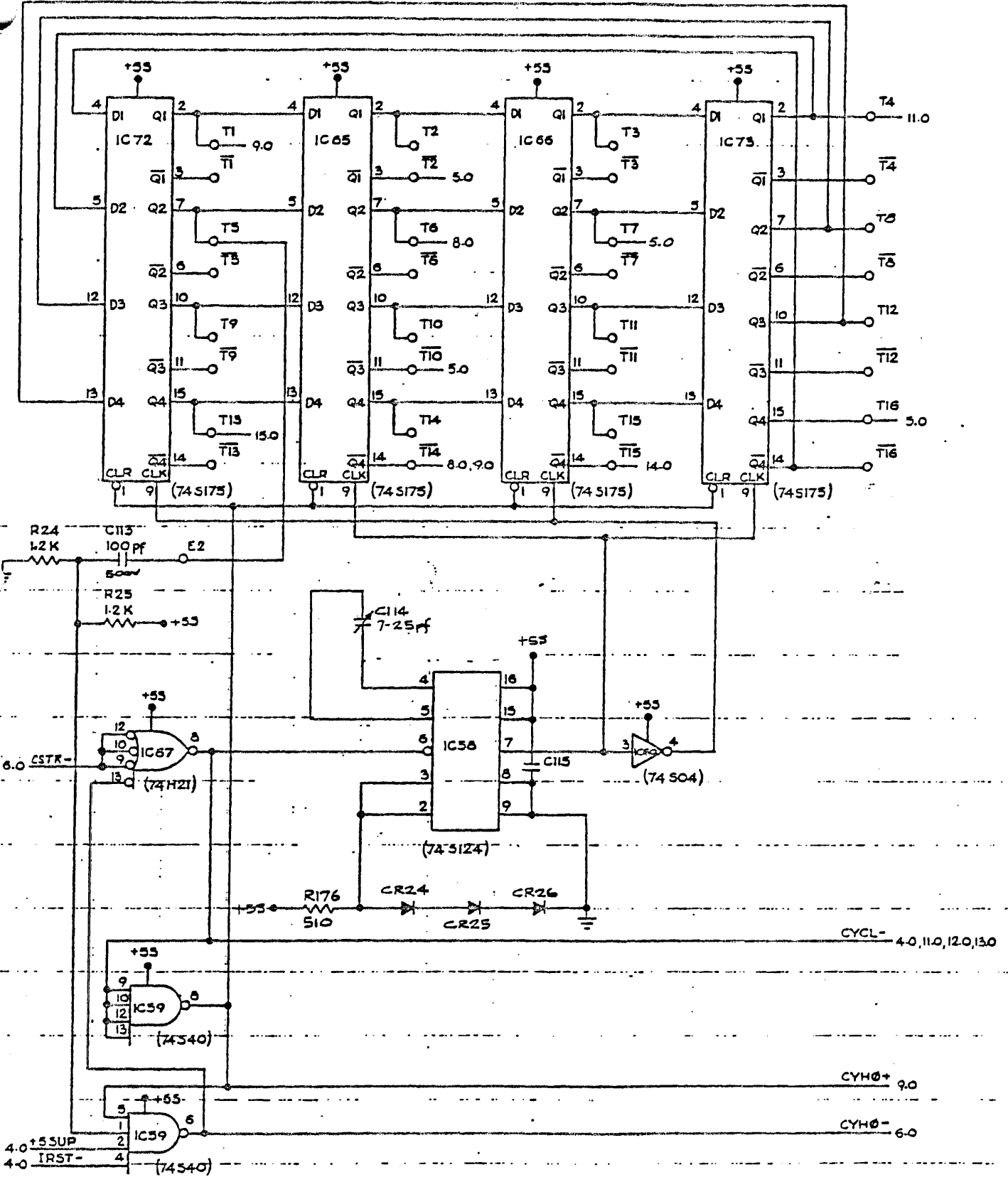


6601254-00 (PIEBYBACK BR.)

|       |                |          |      |               |             |
|-------|----------------|----------|------|---------------|-------------|
| CLASS |                |          |      | SPERRY UNIVAC |             |
| SIZE  | CODE IDENT NO. | DWG NO.  | REV. |               |             |
| C     | 21101          | W9100661 | F    |               |             |
|       |                |          |      |               | REV. 6.0 OF |

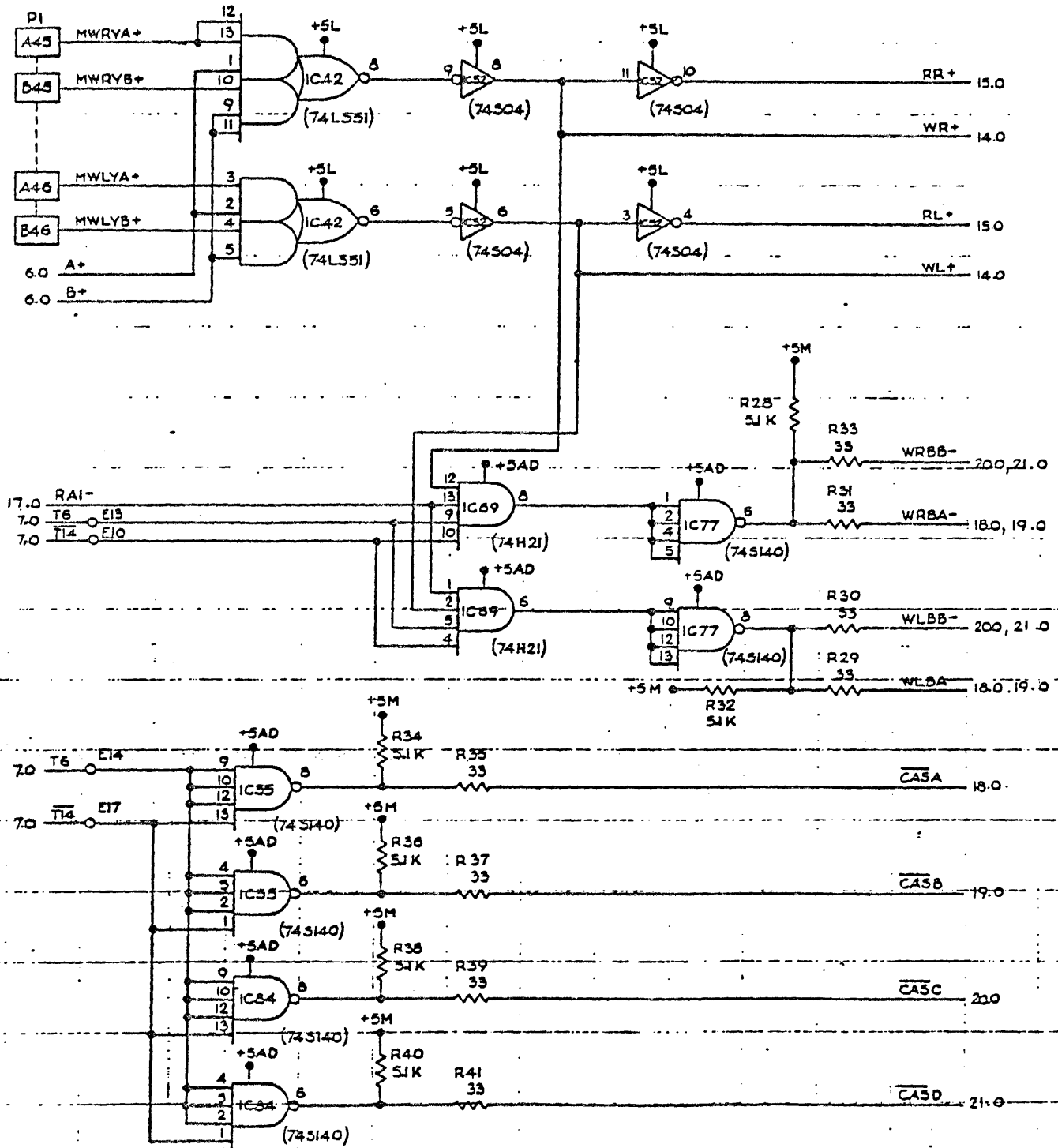
SPERRY UNIVAC IS A DIVISION OF SPERRY GUY WIRELESS

SH-1176.0 OF



TIMING

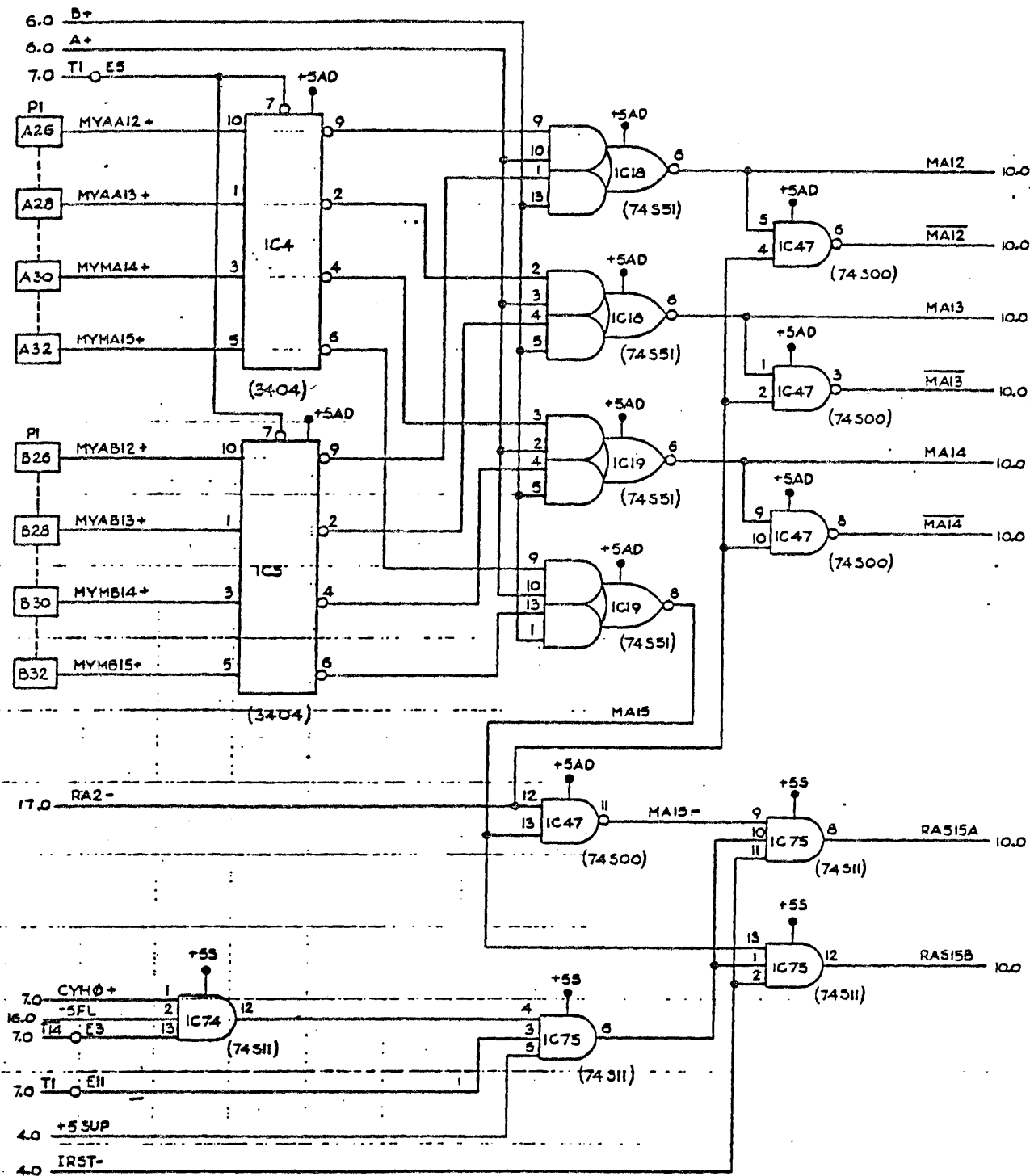
|                |              |           |     |
|----------------|--------------|-----------|-----|
| CODE IDENT NO. | SIZE         | DWG NO.   | REV |
| 21101          | C            | W9100.661 | F   |
| SCALE          | SHEET 7.0 OF |           |     |



WRITE CONTROL

| CODE IDENT NO. | SIZE         | DWG NO.  | REV |
|----------------|--------------|----------|-----|
| 21101          | C            | W9100661 | F   |
| SCALE          | SHEET 6-0 OF |          |     |

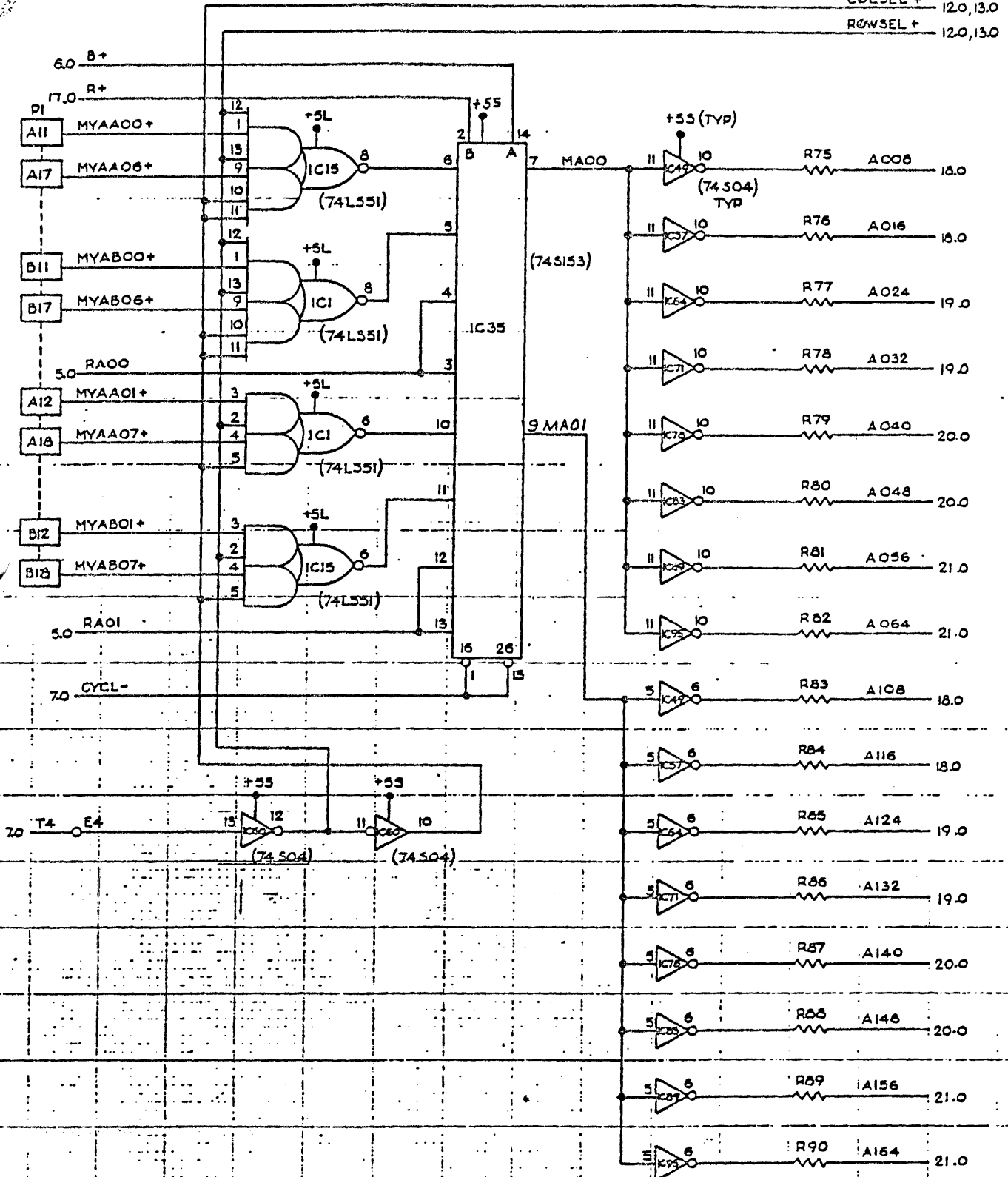




RAS ADDRESS AND TIMING

|                |      |          |              |
|----------------|------|----------|--------------|
| CODE IDENT NO. | SIZE | DRG NO   | REV          |
| 21101          | C    | W9100661 | F            |
| SCALE          |      |          | SHEET 9.0 OF |

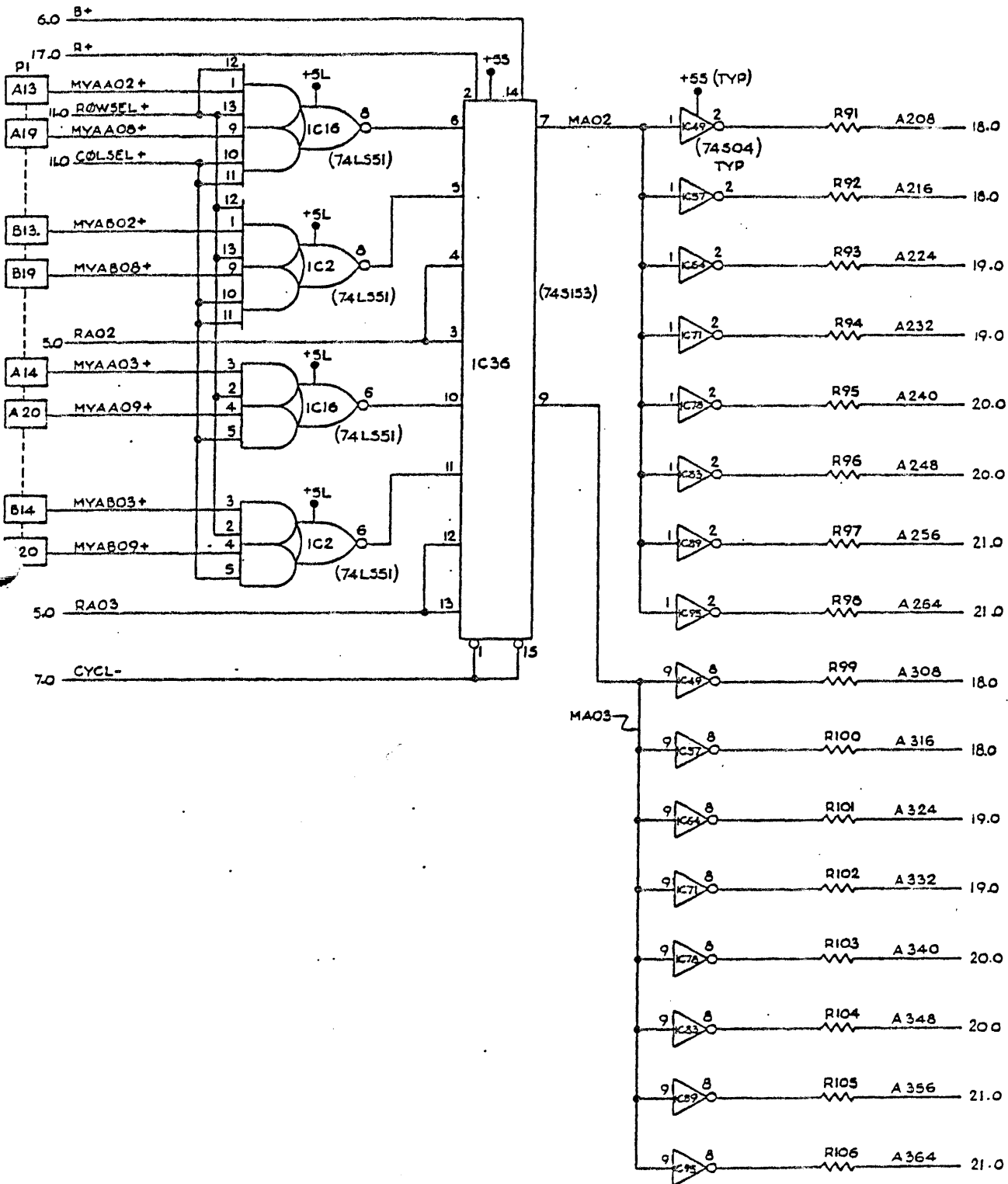
C0LSEL + 12.0,13.0  
 R0WSEL + 12.0,13.0



NOTE: ALL RESISTOR VALUES 35.0

ADDRESS MULTI AND ARRAY DRIVE

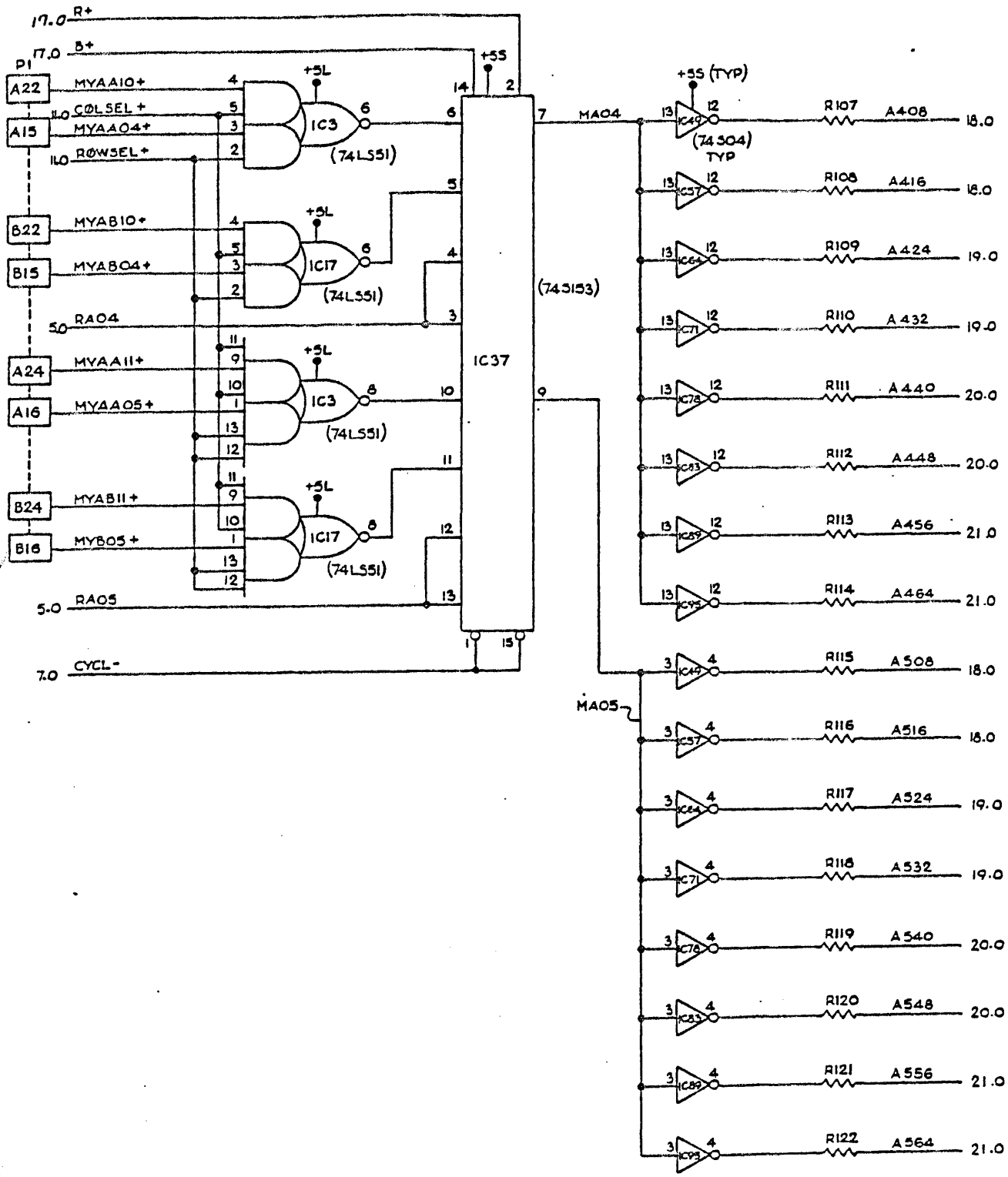
|                |                |          |     |
|----------------|----------------|----------|-----|
| CODE IDENT NO. | SIZE           | DWG NO.  | REV |
| 21101          | C              | W9100661 | F   |
| SCALE          | SHEET 11 OF 11 |          |     |



NOTE: ALL RESISTOR VALUES ARE 33Ω

ADDRESS MULTI AND ARRAY DRIVE

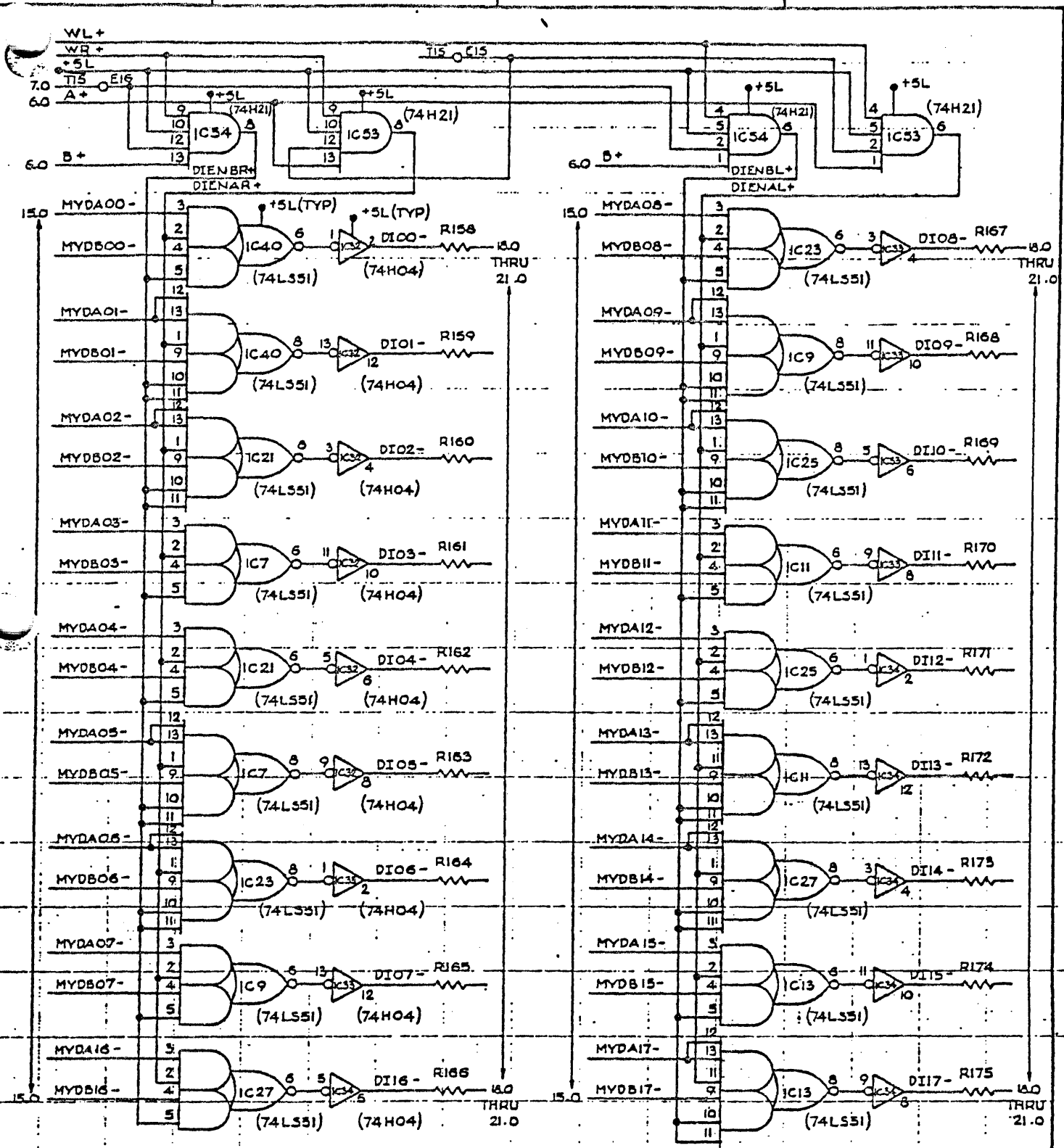
| CODE IDENT NO. | SIZE | DRG NO      | REV |
|----------------|------|-------------|-----|
| 21101          | C    | W9100661    | F   |
| SCALE          |      | SHEET 12 OF |     |



NOTE: ALL RESISTOR VALUES ARE 33Ω

ADDRESS MULTI AND ARRAY DRIVE

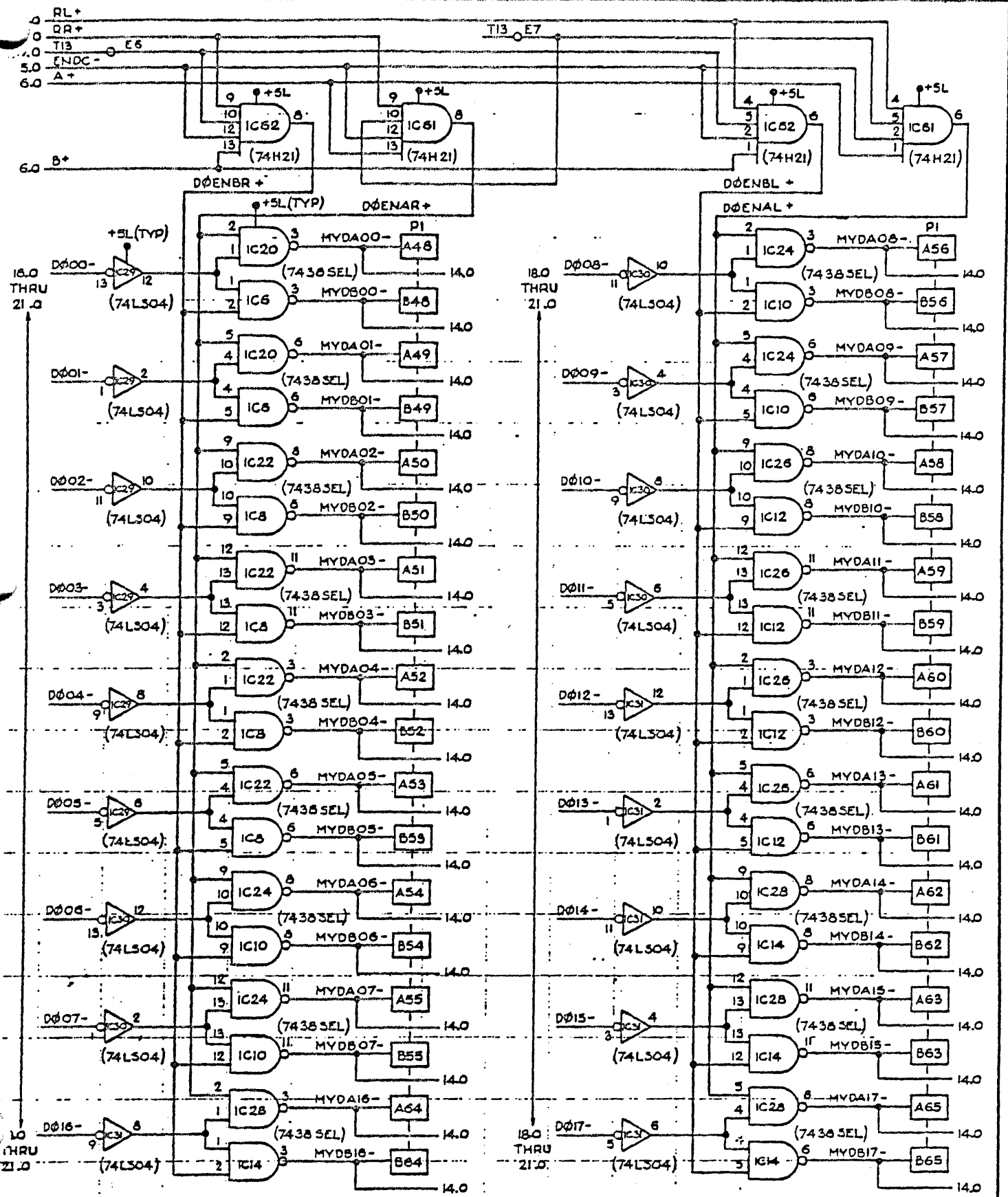
| CODE IDENT NO. | SIZE | DWG NO.       | REV |
|----------------|------|---------------|-----|
| 21101          | C    | W 9100661     | F   |
| SCALE          |      | SHEET 13.0 OF |     |



DATA IN MULTIPLEX

NOTE ALL RESISTOR VALUES ARE 47 Ω

|                |               |           |     |
|----------------|---------------|-----------|-----|
| CODE IDENT NO. | SIZE          | DWG NO    | REV |
| 21101          | C             | W 9100661 | F   |
| SCALE          | SHEET 14.0 OF |           |     |



DATA OUT MULTIPLEX

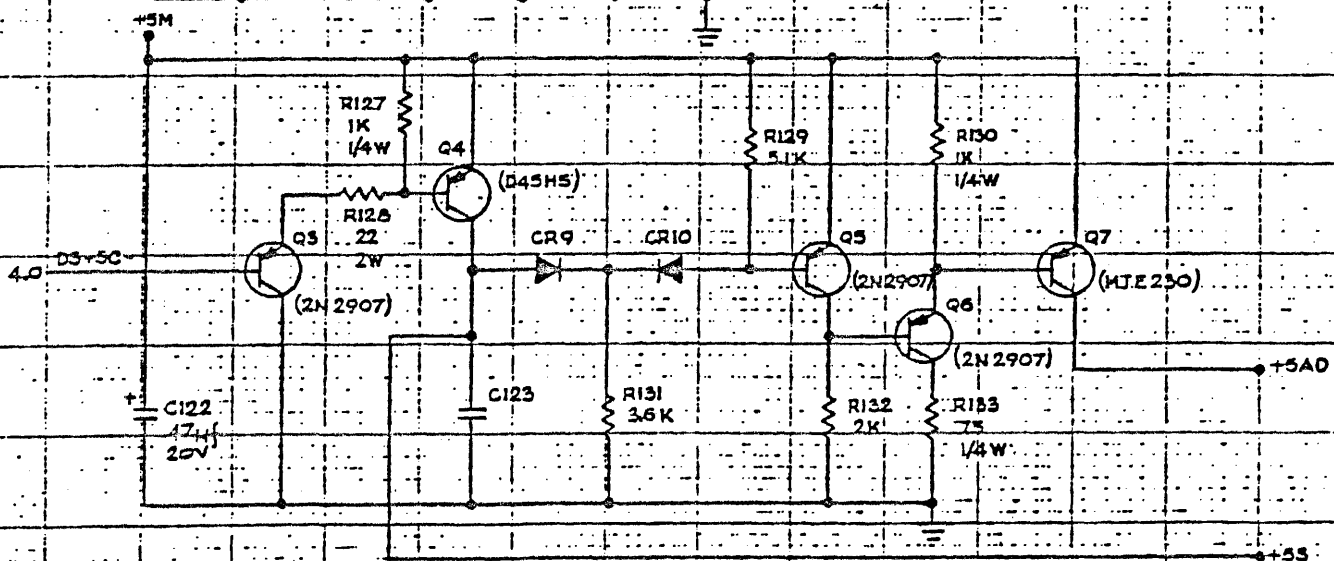
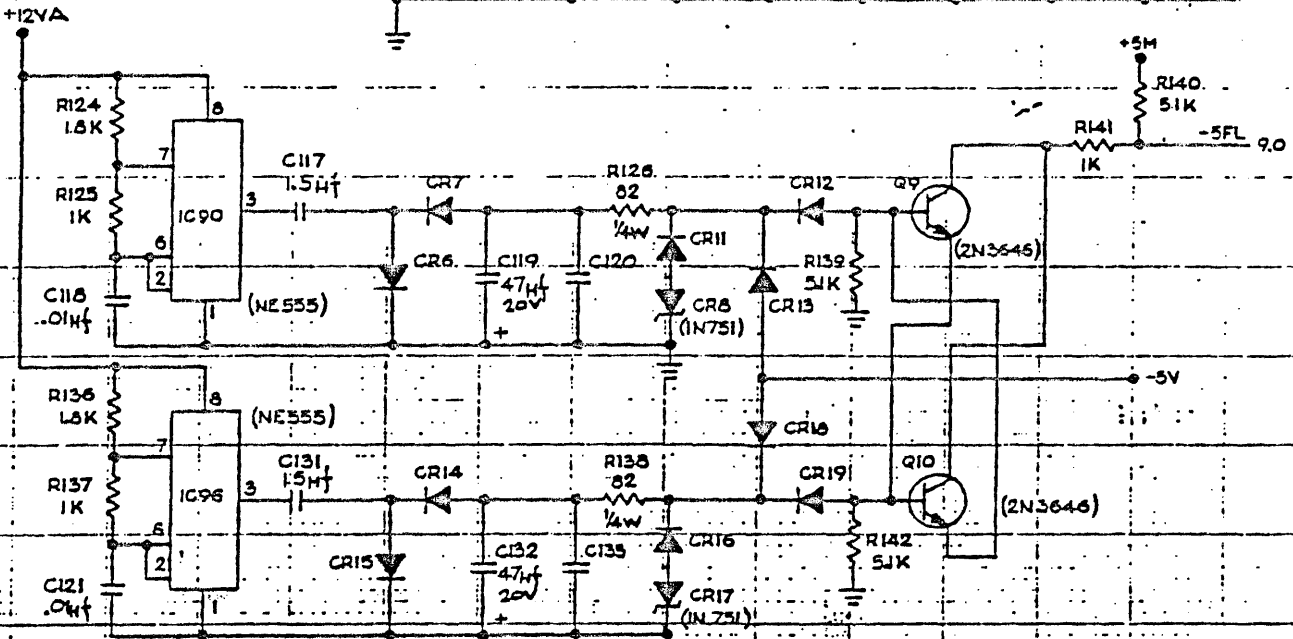
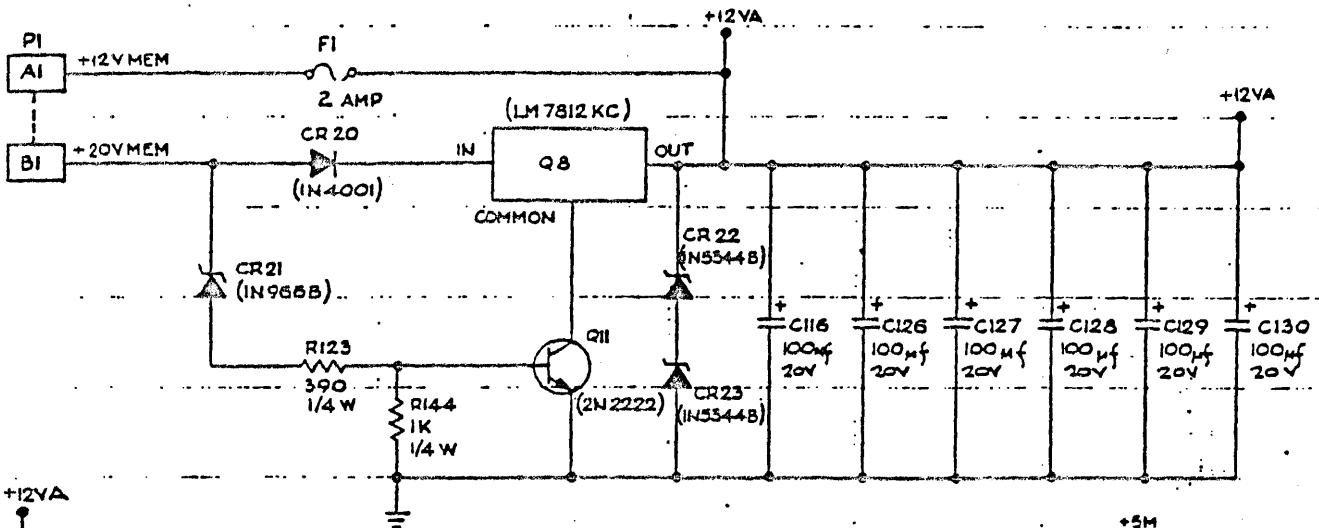
|                |      |          |               |
|----------------|------|----------|---------------|
| CODE IDENT NO. | SIZE | DRWG NO. | REV           |
| 21101          | C    | W9100661 | F.            |
| SCALE          |      |          | SHEET 15.0 OF |

4

3

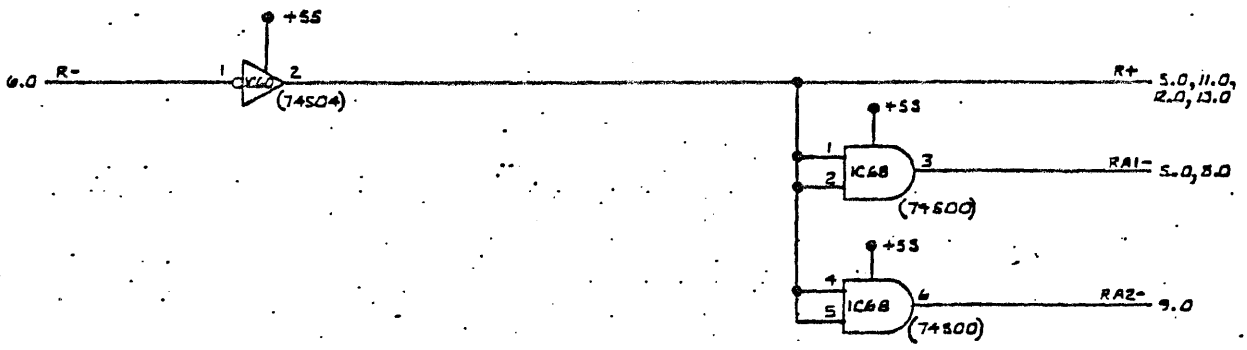
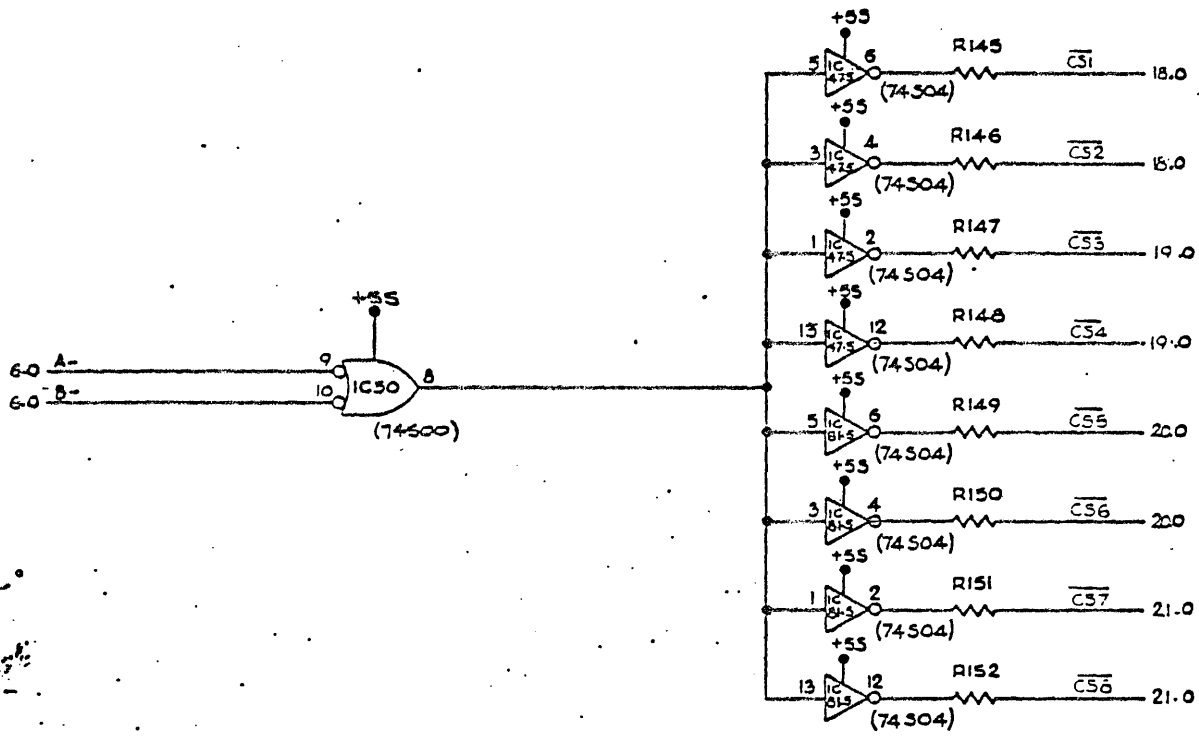
2

1



VOLTAGE CONTROL

|                |      |           |               |
|----------------|------|-----------|---------------|
| DATE IDENT NO. | SIZE | DRG NO.   | REV           |
| 21101          | C    | W/9100661 | F             |
| SCALE          |      |           | HEET 16 OF 16 |

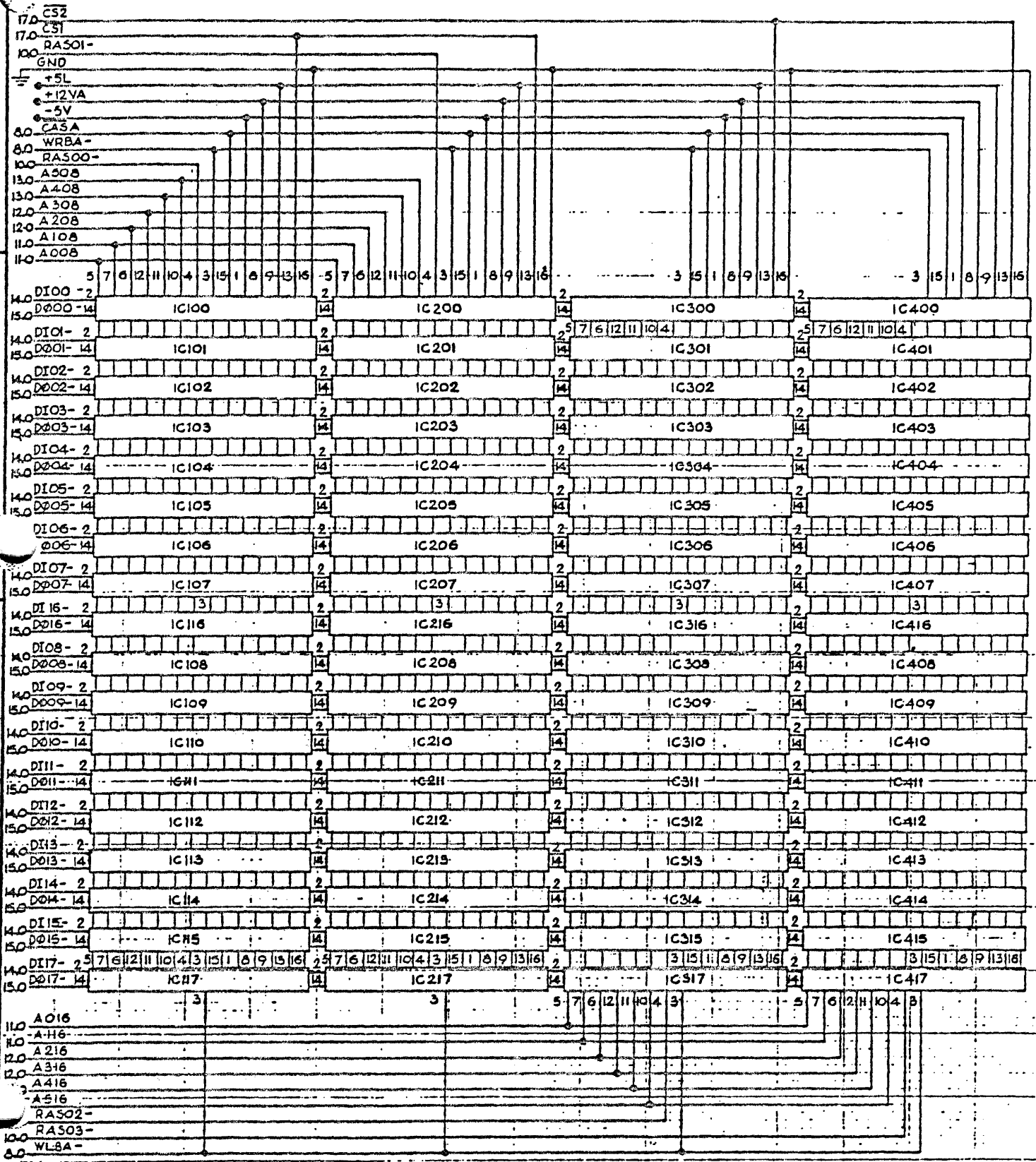


RESISTOR VALUES ARE 33Ω

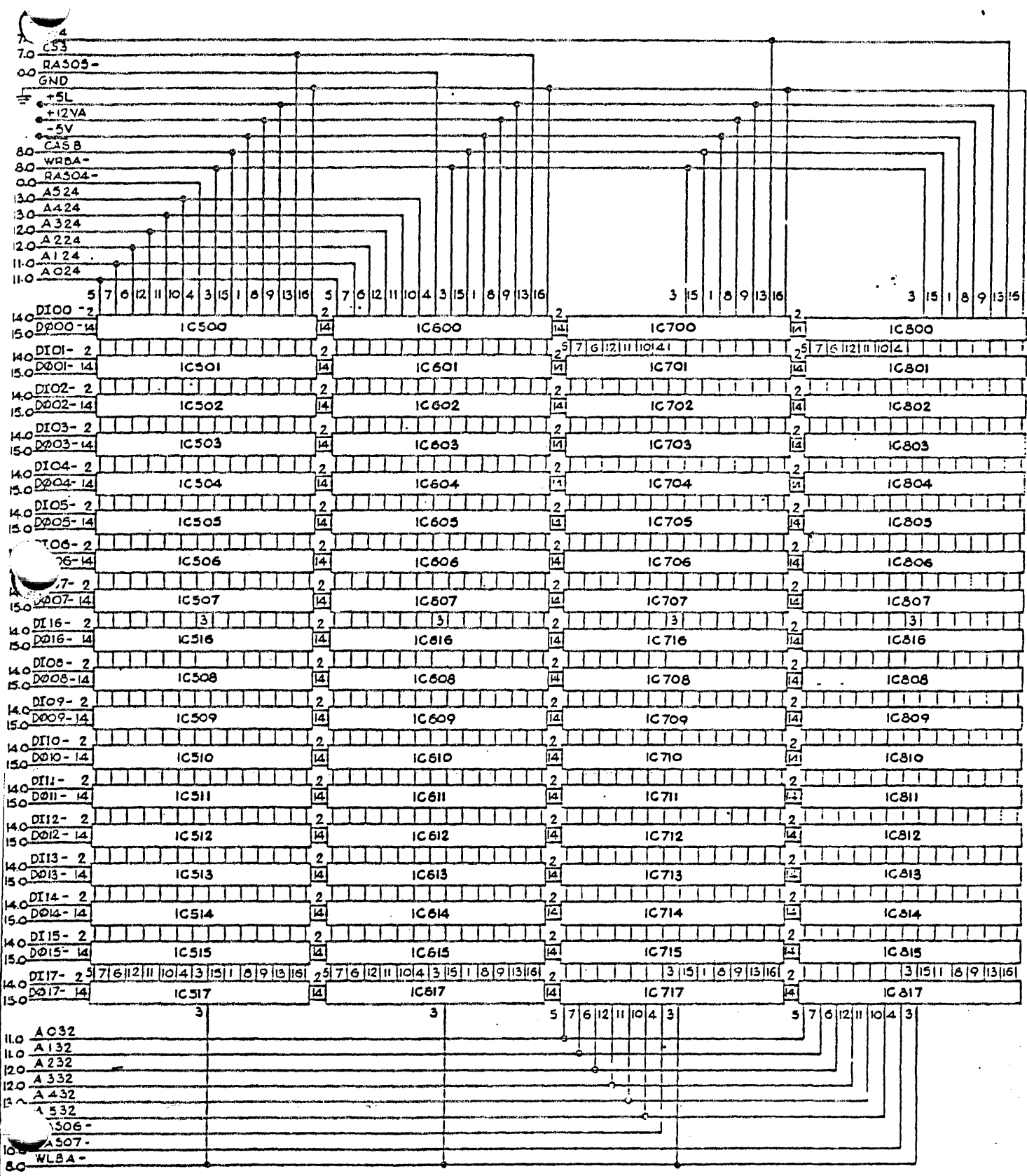
CHIP SELECT

|                |               |          |     |
|----------------|---------------|----------|-----|
| CODE IDENT NO. | SIZE          | DRG NO   | REV |
| 21101          | C             | W9100661 | F   |
| SCALE          | SHEET 17.0 OF |          |     |





ARRAY 0 - 16 K



ARRAY 16 - 32 K

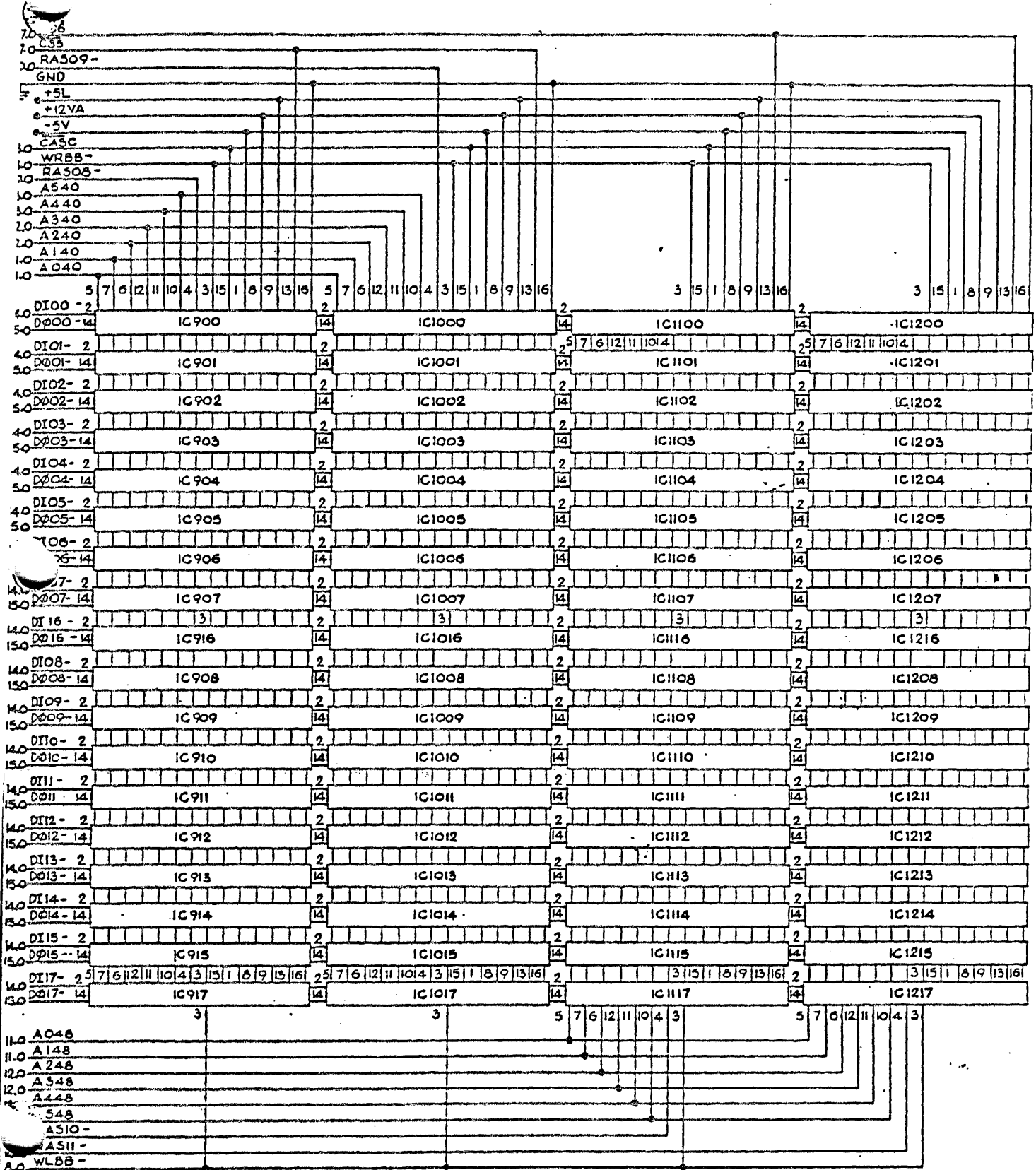
|                |                |          |     |
|----------------|----------------|----------|-----|
| CODE IDENT NO. | SIZE           | QWG NO   | REV |
| 21101          | C              | W9100661 | F.  |
| SCALE          | SHEET 10 OF 10 |          |     |

4

3

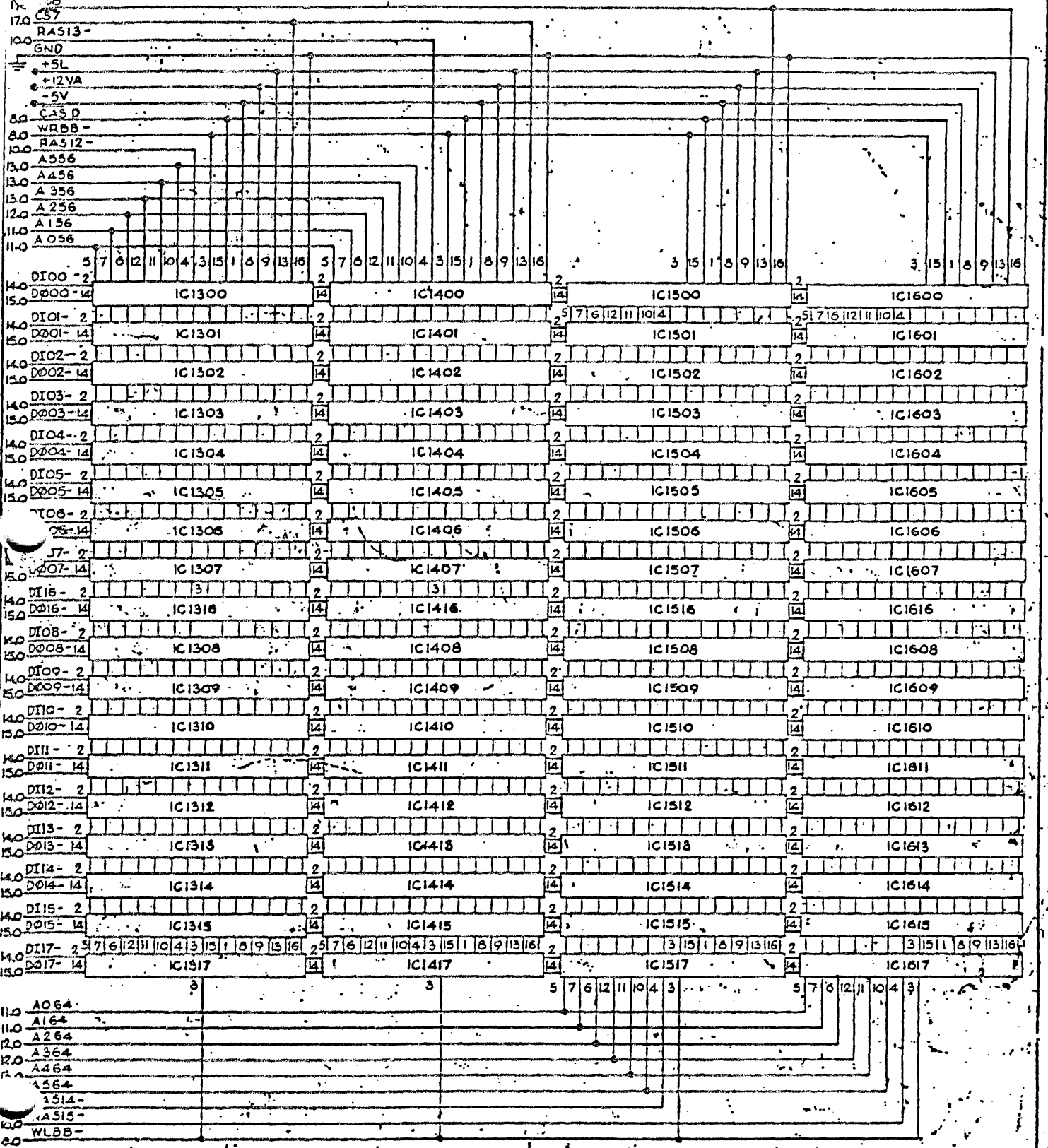
2

1



ARRAY 32-49K

| CODE IDENT NO. | SIZE | DRG NO   | REV |
|----------------|------|----------|-----|
| 21101          | C    | W9100661 | F   |



ARRAY 49K-85K

|                |      |          |     |
|----------------|------|----------|-----|
| CODE IDENT NO. | SIZE | DRWG NO  | REV |
| 21101          | C    | W9100661 | F   |

NOTES: (UNLESS OTHERWISE SPECIFIED)

1. POWER AND GND DISTRIBUTION FOR IC'S:

VOLTAGE: PIN 14 FOR 14 PIN IC'S

EXCEPTIONS: PIN 4 AT LOCATIONS B4, B8, C6, C7, D8, D9, F10, H2, H8, J2, J13, K8 AND O6. PIN 5 AT LOCATIONS U2, V1, V2, AND W1.

PIN 16 FOR 16 PIN IC'S

PIN 24 FOR 24 PIN IC'S

PIN 1 FOR 40 PIN IC AT LOCATION X13

GND: PIN 7 FOR 14 PIN IC'S

EXCEPTIONS: PIN 11 AT LOCATIONS B4, B8, C6, C7, D8, D9, F10, H2, H8, J2, J13, K8 AND O6. PIN 12 AT LOCATIONS U2, V1, V2 AND W1.

PIN 8 FOR 16 PIN IC'S

PIN 12 FOR 24 PIN IC'S

PIN 3 FOR 40 PIN IC AT LOCATION X13

2. ALL RESISTOR VALUES ARE IN OHMS, 1/4W, ± 5%

3. SYMBOL  =

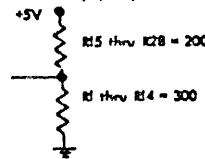


TABLE OF CONTENTS

| DESCRIPTION                  | SHEET           |
|------------------------------|-----------------|
| COVER, TABLE OF CONTENTS     | 1.0             |
| IC LOCATION CHART            | 2.0, 2.1        |
| CONNECTORS                   | 3.0, 3.1        |
| POWER, GROUND AND DECOUPLING | 4.0             |
| OPTION BOARD COMMON LOGIC    | 5.0 thru 5.2    |
| V/D                          | 6.0 thru 6.5    |
| PFR                          | 7.0             |
| REAL TIME CLOCK              | 8.0 thru 8.6    |
| TELETYPE/CKT                 | 9.0 thru 9.3    |
| PARTY                        | 10.0, 10.1      |
| MEMORY PROTECT               | 11.0 thru 11.5  |
| PMA                          | 12.0 thru 12.10 |

| REV | LTR | DATE          | DESCRIPTION - FOR DETAILS SEE  | CHK | DATE     | APPROVED |
|-----|-----|---------------|--|-----|----------|----------|
| MT  | SS  | 85694         | REVISED PER EN   |     | 10-21-78 | GR       |
|     | BT  | 87003         | REVISED SHT # 5, 2, 4, 2 & 3   |     |          |          |
|     | BU  | 87038         | REVISED SHT # 3, 1, 4, 5, 6, 1   |     |          |          |
|     | BV  | 87043         | REVISED SHT 2, 4   |     |          |          |
|     | BW  | 87799         | ADDED SWITCH-T9 TO SHT 10, 1   |     | 5/18/80  | hand     |
| TN  | EW  | 14874-03      | RELEASED TO APZ  |     |          |          |
| TN  | BY  | W94240<br>-CL | REVISED SHT 20, 7.0. UPDATED<br>FORMAT, DOC NO WAS: 9100401<br>NAT. WATER - OC RELEASED - 01 |     |          |          |

\* REF. DES. NOT USED:

- C10, 11, 13, 14, 17, 18, 20, 22, 24, 28, 33, 37, 38, 39, 41, 42, 46, 48, 50, 52, 54, 56, 58, 60, 61, 62, 65, 68, 69, 72, 73, 74, 81, 82, 86, 88, 89, 90, 94, 96, 97, 99, 100, 105, 107, 108, 112, 115, 118, 120, 121, 123, 127

| REFERENCE DRAWINGS |          |
|--------------------|----------|
| ASSEMBLY           | W4400619 |
| ARTWORK            | W9700759 |
| SILKSCREEN         | W9700760 |
| SOLDER MASK        | W9700764 |
| P.W. BOARD         | W4000528 |
| PARTS LIST         | W4400619 |

|                        |                         |
|------------------------|-------------------------|
| S1                     |                         |
| TP1                    |                         |
| E126                   | E19, E94                |
| CR4                    |                         |
| C128                   | * SEE ABOVE             |
| R1C1                   | R40, 54, 84, 85, 86, 93 |
| G1                     |                         |
| JB                     |                         |
| HIGHEST                | NOT USED                |
| REFERENCE DESIGNATIONS |                         |

COMPANY CONFIDENTIAL INFORMATION

THIS DOCUMENT CONTAINS CONFIDENTIAL INFORMATION OF THE SPERRY RAND CORPORATION. IN CONSIDERATION OF THE RECEIPT OF THIS DOCUMENT, THE RECIPIENT AGREES NOT TO REPRODUCE, COPY, USE OR TRANSMIT THIS DOCUMENT AND/OR THE INFORMATION THEREIN CONTAINED IN WHOLE OR IN PART, OR TO SUFFER SUCH ACTION BY OTHERS, FOR ANY PURPOSE, EXCEPT WITH THE WRITTEN PERMISSION, FIRST OBTAINED, OF SPERRY RAND CORPORATION, AND FURTHER AGREES TO SURRENDER SAME TO SPERRY RAND CORPORATION WHEN THE REASON FOR ITS RECEIPT HAS TERMINATED.


ASSEMBLY NO. W4400619

IDENT NO. W9100401 - 01

| SHEET | REV | DESCRIPTION |
|-------|-----|-------------|
| 1     | 2   | 4           |
| 2     | 4   | 5           |
| 3     | 6   | 9           |
| 4     | 8   | 10          |
| 5     | 12  | 11          |
| 6     | 14  | 13          |
| 7     | 16  | 15          |
| 8     | 18  | 17          |
| 9     | 20  | 19          |
| 10    | 22  | 21          |
| 11    | 24  | 23          |
| 12    | 26  | 25          |
| 13    | 28  | 27          |
| 14    | 30  | 29          |
| 15    | 32  | 31          |
| 16    | 34  | 33          |
| 17    | 36  | 35          |
| 18    | 38  | 37          |
| 19    | 40  | 39          |
| 20    | 42  | 41          |
| 21    | 44  | 43          |
| 22    | 46  | 45          |
| 23    | 48  | 47          |
| 24    | 50  | 49          |
| 25    | 52  | 51          |
| 26    | 54  | 53          |
| 27    | 56  | 55          |
| 28    | 58  | 57          |
| 29    | 60  | 59          |
| 30    | 62  | 61          |
| 31    | 64  | 63          |
| 32    | 66  | 65          |
| 33    | 68  | 67          |
| 34    | 70  | 69          |
| 35    | 72  | 71          |
| 36    | 74  | 73          |
| 37    | 76  | 75          |
| 38    | 78  | 77          |
| 39    | 80  | 79          |
| 40    | 82  | 81          |
| 41    | 84  | 83          |
| 42    | 86  | 85          |
| 43    | 88  | 87          |
| 44    | 90  | 89          |
| 45    | 92  | 91          |
| 46    | 94  | 93          |
| 47    | 96  | 95          |
| 48    | 98  | 97          |
| 49    | 100 | 99          |
| 50    | 102 | 101         |
| 51    | 104 | 103         |
| 52    | 106 | 105         |
| 53    | 108 | 107         |
| 54    | 110 | 109         |
| 55    | 112 | 111         |
| 56    | 114 | 113         |
| 57    | 116 | 115         |
| 58    | 118 | 117         |
| 59    | 120 | 119         |
| 60    | 122 | 121         |
| 61    | 124 | 123         |
| 62    | 126 | 125         |
| 63    | 128 | 127         |
| 64    | 130 | 129         |
| 65    | 132 | 131         |
| 66    | 134 | 133         |
| 67    | 136 | 135         |
| 68    | 138 | 137         |
| 69    | 140 | 139         |
| 70    | 142 | 141         |
| 71    | 144 | 143         |
| 72    | 146 | 145         |
| 73    | 148 | 147         |
| 74    | 150 | 149         |
| 75    | 152 | 151         |
| 76    | 154 | 153         |
| 77    | 156 | 155         |
| 78    | 158 | 157         |
| 79    | 160 | 159         |
| 80    | 162 | 161         |
| 81    | 164 | 163         |
| 82    | 166 | 165         |
| 83    | 168 | 167         |
| 84    | 170 | 169         |
| 85    | 172 | 171         |
| 86    | 174 | 173         |
| 87    | 176 | 175         |
| 88    | 178 | 177         |
| 89    | 180 | 179         |
| 90    | 182 | 181         |
| 91    | 184 | 183         |
| 92    | 186 | 185         |
| 93    | 188 | 187         |
| 94    | 190 | 189         |
| 95    | 192 | 191         |
| 96    | 194 | 193         |
| 97    | 196 | 195         |
| 98    | 198 | 197         |
| 99    | 200 | 199         |
| 100   | 202 | 201         |
| 101   | 204 | 203         |
| 102   | 206 | 205         |
| 103   | 208 | 207         |
| 104   | 210 | 209         |
| 105   | 212 | 211         |
| 106   | 214 | 213         |
| 107   | 216 | 215         |
| 108   | 218 | 217         |
| 109   | 220 | 219         |
| 110   | 222 | 221         |
| 111   | 224 | 223         |
| 112   | 226 | 225         |
| 113   | 228 | 227         |
| 114   | 230 | 229         |
| 115   | 232 | 231         |
| 116   | 234 | 233         |
| 117   | 236 | 235         |
| 118   | 238 | 237         |
| 119   | 240 | 239         |
| 120   | 242 | 241         |
| 121   | 244 | 243         |
| 122   | 246 | 245         |
| 123   | 248 | 247         |
| 124   | 250 | 249         |
| 125   | 252 | 251         |
| 126   | 254 | 253         |
| 127   | 256 | 255         |
| 128   | 258 | 257         |
| 129   | 260 | 259         |
| 130   | 262 | 261         |
| 131   | 264 | 263         |
| 132   | 266 | 265         |
| 133   | 268 | 267         |
| 134   | 270 | 269         |
| 135   | 272 | 271         |
| 136   | 274 | 273         |
| 137   | 276 | 275         |
| 138   | 278 | 277         |
| 139   | 280 | 279         |
| 140   | 282 | 281         |
| 141   | 284 | 283         |
| 142   | 286 | 285         |
| 143   | 288 | 287         |
| 144   | 290 | 289         |
| 145   | 292 | 291         |
| 146   | 294 | 293         |
| 147   | 296 | 295         |
| 148   | 298 | 297         |
| 149   | 300 | 299         |
| 150   | 302 | 301         |
| 151   | 304 | 303         |
| 152   | 306 | 305         |
| 153   | 308 | 307         |
| 154   | 310 | 309         |
| 155   | 312 | 311         |
| 156   | 314 | 313         |
| 157   | 316 | 315         |
| 158   | 318 | 317         |
| 159   | 320 | 319         |
| 160   | 322 | 321         |
| 161   | 324 | 323         |
| 162   | 326 | 325         |
| 163   | 328 | 327         |
| 164   | 330 | 329         |
| 165   | 332 | 331         |
| 166   | 334 | 333         |
| 167   | 336 | 335         |
| 168   | 338 | 337         |
| 169   | 340 | 339         |
| 170   | 342 | 341         |
| 171   | 344 | 343         |
| 172   | 346 | 345         |
| 173   | 348 | 347         |
| 174   | 350 | 349         |
| 175   | 352 | 351         |
| 176   | 354 | 353         |
| 177   | 356 | 355         |
| 178   | 358 | 357         |
| 179   | 360 | 359         |
| 180   | 362 | 361         |
| 181   | 364 | 363         |
| 182   | 366 | 365         |
| 183   | 368 | 367         |
| 184   | 370 | 369         |
| 185   | 372 | 371         |
| 186   | 374 | 373         |
| 187   | 376 | 375         |
| 188   | 378 | 377         |
| 189   | 380 | 379         |
| 190   | 382 | 381         |
| 191   | 384 | 383         |
| 192   | 386 | 385         |
| 193   | 388 | 387         |
| 194   | 390 | 389         |
| 195   | 392 | 391         |
| 196   | 394 | 393         |
| 197   | 396 | 395         |
| 198   | 398 | 397         |
| 199   | 400 | 399         |
| 200   | 402 | 401         |

SHEET INDEX

REVISION LTR ON FIRST SHEET WILL APPLY TO ALL SHEETS.

|                         |        |              |   |
|-------------------------|--------|--------------|---|
| LAYOUT                  | DATE   | CLASS        |  |
| DRAFTSMAN<br>W. GUEZADA | 6/1/72 | A            |   |
| CHECKER<br>R. A. D.     | 6/1/72 | TITLE        | LOGIC DIAGRAM   |
| ENGINEER<br>A. WHITCOMB | 6/1/72 |              | OPTION BOARD DM357  |
| APPROVAL<br>A. WHITCOMB | 6/1/72 | SIZE         | REV   |
|                         |        | C            | B1  |
|                         |        | CODE IDENT   | DWG NO.   |
|                         |        | 21101        | W9100401  |
|                         |        | SHEET 1.0 OF |   |



| LOC  | CHIP TYPE      | WHERE USED |       |       |       |      |       |
|------|----------------|------------|-------|-------|-------|------|-------|
| Q1   | 7438           | 5.0        | 5.0   | 5.0   | 5.0   | /    | /     |
| Q2   | 7438           | 5.0        | 5.0   | 5.0   | 5.1   | /    | /     |
| Q3   | 7438           | 5.1        | 5.1   | 5.1   | 5.1   | /    | /     |
| Q4   | 7438           | 5.1        | 5.1   | 5.2   | 5.2   | /    | /     |
| Q5   |                | /          | /     | /     | /     | /    | /     |
| Q6   | 74H03          | 12.6       | 12.8  | /     | /     | /    | /     |
| Q7   | 74H08          | 12.10      | 12.10 | /     | /     | /    | /     |
| Q8   | 8T14           | 12.8       | 12.8  | 12.8  | /     | /    | /     |
| Q9   | 7438           | 12.7       | 12.7  | 12.7  | 12.7  | /    | /     |
| Q10  |                | 12.6       | 12.6  | 12.6  | 12.6  | 12.7 | 12.7  |
| Q11  | 48A0007-000    | 12.7       | 12.7  | 12.8  | 12.8  | 12.8 | 12.8  |
| Q12  | 7438           | 12.3       | 12.3  | 12.3  | 12.3  | /    | /     |
| Q13  | 3404           | 12.5       | 12.5  | 12.5  | 12.5  | 12.5 | 12.5  |
| Q14  | 3104           | 12.4       | 12.4  | 12.4  | 12.4  | 12.4 | 12.4  |
| Q15  | 3404           | 12.3       | 12.3  | 12.3  | 12.3  | 12.3 | 12.3  |
| Q16  |                | /          | /     | /     | /     | /    | /     |
| Q17  | 7438           | 5.0        | 5.0   | 5.0   | 5.0   | /    | /     |
| Q18  | 7438           | 5.0        | 5.0   | 5.0   | 5.1   | /    | /     |
| Q19  | 7438           | 5.1        | 5.1   | 5.1   | 5.1   | /    | /     |
| Q20  | 7438           | 5.1        | 5.1   | 5.2   | 5.2   | /    | /     |
| Q21  | 745113         | 5.2        | 5.2   | /     | /     | /    | /     |
| Q22  | SPARE (14 PIN) | /          | /     | /     | /     | /    | /     |
| Q23  | 74500          | 6.3        | 12.10 | 12.10 | 12.10 | /    | /     |
| Q24  | 74H04          | 12.7       | 12.8  | 12.8  | 12.8  | 12.8 | 12.10 |
| Q25  | 74H53          | 12.7       | /     | /     | /     | /    | /     |
| Q26  | 8T14           | 12.6       | 12.6  | 12.8  | /     | /    | /     |
| Q27  | 7438           | 12.5       | 12.5  | 12.5  | 12.5  | /    | /     |
| Q28  | 74H04          | 12.5       | 12.5  | 12.5  | 12.5  | 12.5 | 12.5  |
| Q29  | 74H04          | 12.4       | 12.4  | 12.4  | 12.4  | 12.4 | 12.4  |
| Q30  | 74H04          | 12.3       | 12.3  | 12.3  | 12.3  | 12.3 | 12.3  |
| Q31  |                | /          | /     | /     | /     | /    | /     |
| Q32  |                | /          | /     | /     | /     | /    | /     |
| Q33  |                | /          | /     | /     | /     | /    | /     |
| Q34  |                | /          | /     | /     | /     | /    | /     |
| Q35  |                | /          | /     | /     | /     | /    | /     |
| Q36  |                | /          | /     | /     | /     | /    | /     |
| Q37  |                | /          | /     | /     | /     | /    | /     |
| Q38  |                | /          | /     | /     | /     | /    | /     |
| Q39  |                | /          | /     | /     | /     | /    | /     |
| Q40  |                | /          | /     | /     | /     | /    | /     |
| Q41  |                | /          | /     | /     | /     | /    | /     |
| Q42  |                | /          | /     | /     | /     | /    | /     |
| Q43  |                | /          | /     | /     | /     | /    | /     |
| Q44  |                | /          | /     | /     | /     | /    | /     |
| Q45  |                | /          | /     | /     | /     | /    | /     |
| Q46  |                | /          | /     | /     | /     | /    | /     |
| Q47  |                | /          | /     | /     | /     | /    | /     |
| Q48  |                | /          | /     | /     | /     | /    | /     |
| Q49  |                | /          | /     | /     | /     | /    | /     |
| Q50  |                | /          | /     | /     | /     | /    | /     |
| Q51  |                | /          | /     | /     | /     | /    | /     |
| Q52  |                | /          | /     | /     | /     | /    | /     |
| Q53  |                | /          | /     | /     | /     | /    | /     |
| Q54  |                | /          | /     | /     | /     | /    | /     |
| Q55  |                | /          | /     | /     | /     | /    | /     |
| Q56  |                | /          | /     | /     | /     | /    | /     |
| Q57  |                | /          | /     | /     | /     | /    | /     |
| Q58  |                | /          | /     | /     | /     | /    | /     |
| Q59  |                | /          | /     | /     | /     | /    | /     |
| Q60  |                | /          | /     | /     | /     | /    | /     |
| Q61  |                | /          | /     | /     | /     | /    | /     |
| Q62  |                | /          | /     | /     | /     | /    | /     |
| Q63  |                | /          | /     | /     | /     | /    | /     |
| Q64  |                | /          | /     | /     | /     | /    | /     |
| Q65  |                | /          | /     | /     | /     | /    | /     |
| Q66  |                | /          | /     | /     | /     | /    | /     |
| Q67  |                | /          | /     | /     | /     | /    | /     |
| Q68  |                | /          | /     | /     | /     | /    | /     |
| Q69  |                | /          | /     | /     | /     | /    | /     |
| Q70  |                | /          | /     | /     | /     | /    | /     |
| Q71  |                | /          | /     | /     | /     | /    | /     |
| Q72  |                | /          | /     | /     | /     | /    | /     |
| Q73  |                | /          | /     | /     | /     | /    | /     |
| Q74  |                | /          | /     | /     | /     | /    | /     |
| Q75  |                | /          | /     | /     | /     | /    | /     |
| Q76  |                | /          | /     | /     | /     | /    | /     |
| Q77  |                | /          | /     | /     | /     | /    | /     |
| Q78  |                | /          | /     | /     | /     | /    | /     |
| Q79  |                | /          | /     | /     | /     | /    | /     |
| Q80  |                | /          | /     | /     | /     | /    | /     |
| Q81  |                | /          | /     | /     | /     | /    | /     |
| Q82  |                | /          | /     | /     | /     | /    | /     |
| Q83  |                | /          | /     | /     | /     | /    | /     |
| Q84  |                | /          | /     | /     | /     | /    | /     |
| Q85  |                | /          | /     | /     | /     | /    | /     |
| Q86  |                | /          | /     | /     | /     | /    | /     |
| Q87  |                | /          | /     | /     | /     | /    | /     |
| Q88  |                | /          | /     | /     | /     | /    | /     |
| Q89  |                | /          | /     | /     | /     | /    | /     |
| Q90  |                | /          | /     | /     | /     | /    | /     |
| Q91  |                | /          | /     | /     | /     | /    | /     |
| Q92  |                | /          | /     | /     | /     | /    | /     |
| Q93  |                | /          | /     | /     | /     | /    | /     |
| Q94  |                | /          | /     | /     | /     | /    | /     |
| Q95  |                | /          | /     | /     | /     | /    | /     |
| Q96  |                | /          | /     | /     | /     | /    | /     |
| Q97  |                | /          | /     | /     | /     | /    | /     |
| Q98  |                | /          | /     | /     | /     | /    | /     |
| Q99  |                | /          | /     | /     | /     | /    | /     |
| Q100 |                | /          | /     | /     | /     | /    | /     |

| LOC  | CHIP TYPE | WHERE USED |      |       |      |   |   |
|------|-----------|------------|------|-------|------|---|---|
| U6   | 74H00     | 6.1        | 8.0  | 8.1   | 8.6  | / | / |
| U7   | 74H08     | 8.5        | 8.6  | /     | /    | / | / |
| U8   | 74511     | 11.3       | 12.8 | 12.10 | /    | / | / |
| U9   | 93H72     | 12.7       | /    | /     | /    | / | / |
| U10  | 74574     | 12.6       | 12.6 | /     | /    | / | / |
| U11  | 7438      | 12.3       | 12.3 | 12.3  | 12.3 | / | / |
| U12  | 8T14      | 12.5       | 12.5 | 12.5  | /    | / | / |
| U13  | 8T14      | 12.4       | 12.4 | 12.4  | /    | / | / |
| U14  | 8T14      | 12.3       | 12.3 | 12.3  | /    | / | / |
| U15  |           | /          | /    | /     | /    | / | / |
| U16  |           | /          | /    | /     | /    | / | / |
| U17  |           | /          | /    | /     | /    | / | / |
| U18  |           | /          | /    | /     | /    | / | / |
| U19  |           | /          | /    | /     | /    | / | / |
| U20  |           | /          | /    | /     | /    | / | / |
| U21  |           | /          | /    | /     | /    | / | / |
| U22  |           | /          | /    | /     | /    | / | / |
| U23  |           | /          | /    | /     | /    | / | / |
| U24  |           | /          | /    | /     | /    | / | / |
| U25  |           | /          | /    | /     | /    | / | / |
| U26  |           | /          | /    | /     | /    | / | / |
| U27  |           | /          | /    | /     | /    | / | / |
| U28  |           | /          | /    | /     | /    | / | / |
| U29  |           | /          | /    | /     | /    | / | / |
| U30  |           | /          | /    | /     | /    | / | / |
| U31  |           | /          | /    | /     | /    | / | / |
| U32  |           | /          | /    | /     | /    | / | / |
| U33  |           | /          | /    | /     | /    | / | / |
| U34  |           | /          | /    | /     | /    | / | / |
| U35  |           | /          | /    | /     | /    | / | / |
| U36  |           | /          | /    | /     | /    | / | / |
| U37  |           | /          | /    | /     | /    | / | / |
| U38  |           | /          | /    | /     | /    | / | / |
| U39  |           | /          | /    | /     | /    | / | / |
| U40  |           | /          | /    | /     | /    | / | / |
| U41  |           | /          | /    | /     | /    | / | / |
| U42  |           | /          | /    | /     | /    | / | / |
| U43  |           | /          | /    | /     | /    | / | / |
| U44  |           | /          | /    | /     | /    | / | / |
| U45  |           | /          | /    | /     | /    | / | / |
| U46  |           | /          | /    | /     | /    | / | / |
| U47  |           | /          | /    | /     | /    | / | / |
| U48  |           | /          | /    | /     | /    | / | / |
| U49  |           | /          | /    | /     | /    | / | / |
| U50  |           | /          | /    | /     | /    | / | / |
| U51  |           | /          | /    | /     | /    | / | / |
| U52  |           | /          | /    | /     | /    | / | / |
| U53  |           | /          | /    | /     | /    | / | / |
| U54  |           | /          | /    | /     | /    | / | / |
| U55  |           | /          | /    | /     | /    | / | / |
| U56  |           | /          | /    | /     | /    | / | / |
| U57  |           | /          | /    | /     | /    | / | / |
| U58  |           | /          | /    | /     | /    | / | / |
| U59  |           | /          | /    | /     | /    | / | / |
| U60  |           | /          | /    | /     | /    | / | / |
| U61  |           | /          | /    | /     | /    | / | / |
| U62  |           | /          | /    | /     | /    | / | / |
| U63  |           | /          | /    | /     | /    | / | / |
| U64  |           | /          | /    | /     | /    | / | / |
| U65  |           | /          | /    | /     | /    | / | / |
| U66  |           | /          | /    | /     | /    | / | / |
| U67  |           | /          | /    | /     | /    | / | / |
| U68  |           | /          | /    | /     | /    | / | / |
| U69  |           | /          | /    | /     | /    | / | / |
| U70  |           | /          | /    | /     | /    | / | / |
| U71  |           | /          | /    | /     | /    | / | / |
| U72  |           | /          | /    | /     | /    | / | / |
| U73  |           | /          | /    | /     | /    | / | / |
| U74  |           | /          | /    | /     | /    | / | / |
| U75  |           | /          | /    | /     | /    | / | / |
| U76  |           | /          | /    | /     | /    | / | / |
| U77  |           | /          | /    | /     | /    | / | / |
| U78  |           | /          | /    | /     | /    | / | / |
| U79  |           | /          | /    | /     | /    | / | / |
| U80  |           | /          | /    | /     | /    | / | / |
| U81  |           | /          | /    | /     | /    | / | / |
| U82  |           | /          | /    | /     | /    | / | / |
| U83  |           | /          | /    | /     | /    | / | / |
| U84  |           | /          | /    | /     | /    | / | / |
| U85  |           | /          | /    | /     | /    | / | / |
| U86  |           | /          | /    | /     | /    | / | / |
| U87  |           | /          | /    | /     | /    | / | / |
| U88  |           | /          | /    | /     | /    | / | / |
| U89  |           | /          | /    | /     | /    | / | / |
| U90  |           | /          | /    | /     | /    | / | / |
| U91  |           | /          | /    | /     | /    | / | / |
| U92  |           | /          | /    | /     | /    | / | / |
| U93  |           | /          | /    | /     | /    | / | / |
| U94  |           | /          | /    | /     | /    | / | / |
| U95  |           | /          | /    | /     | /    | / | / |
| U96  |           | /          | /    | /     | /    | / | / |
| U97  |           | /          | /    | /     | /    | / | / |
| U98  |           | /          | /    | /     | /    | / | / |
| U99  |           | /          | /    | /     | /    | / | / |
| U100 |           | /          | /    | /     | /    | / | / |
| U101 |           | /          | /    | /     | /    | / | / |
| U102 |           | /          | /    | /     | /    | / | / |
| U103 |           | /          | /    | /     | /    | / | / |
| U104 |           | /          | /    | /     | /    | / | / |
| U105 |           | /          | /    | /     | /    | / | / |
| U106 |           | /          | /    | /     | /    | / | / |
| U107 |           | /          | /    | /     | /    | / | / |
| U108 |           | /          | /    | /     | /    | / | / |
| U109 |           | /          | /    | /     | /    | / | / |
| U110 |           | /          | /    | /     | /    | / | / |
| U111 |           | /          | /    | /     | /    | / | / |
| U112 |           | /          | /    | /     | /    | / | / |
| U113 |           | /          | /    | /     | /    | / | / |
| U114 |           | /          | /    | /     | /    | / | / |
| U115 |           | /          | /    | /     | /    | / | / |
| U116 |           | /          | /    | /     | /    | / | / |
| U117 |           | /          | /    | /     | /    | / | / |
| U118 |           | /          | /    | /     | /    | / | / |
| U119 |           | /          | /    | /     | /    | / | / |
| U120 |           | /          | /    | /     | /    | / | / |
| U121 |           | /          | /    | /     | /    | / | / |
| U122 |           | /          | /    | /     | /    | / | / |
| U123 |           | /          | /    | /     | /    | / | / |
| U124 |           | /          | /    | /     | /    | / | / |
| U125 |           | /          | /    | /     | /    | / | / |
| U126 |           | /          | /    | /     | /    | / | / |
| U127 |           | /          | /    | /     | /    | / | / |
| U128 |           | /          | /    | /     | /    | / | / |
| U129 |           | /          | /    | /     | /    | / | / |
| U130 |           | /          | /    | /     | /    | / | / |
| U131 |           | /          | /    | /     | /    | / | / |
| U132 |           | /          | /    | /     | /    | / | / |
| U133 |           | /          | /    | /     | /    | / | / |
| U134 |           | /          | /    | /     | /    | / | / |
| U135 |           | /          | /    | /     | /    | / | / |
| U136 |           | /          | /    | /     | /    | / | / |
| U137 |           | /          | /    | /     | /    | / | / |
| U138 |           | /          | /    | /     | /    | / | / |
| U139 |           | /          | /    | /     | /    | / | / |
| U140 |           | /          | /    | /     | /    | / | / |
| U141 |           | /          | /    | /     | /    | / | / |
| U142 |           | /          | /    | /     | /    | / | / |
| U143 |           | /          | /    | /     | /    | / | / |
| U144 |           | /          | /    | /     | /    | / | / |
| U145 |           | /          | /    | /     | /    | / | / |
| U146 |           | /          | /    | /     | /    | / | / |
| U147 |           | /          | /    | /     | /    | / | / |
| U148 |           | /          | /    | /     | /    | / | / |
| U149 |           | /          | /    | /     |      |   |   |

J3 CONNECTOR

J4 CONNECTOR

J5 CONNECTOR

J6 CONNECTOR

| Pin | Function | Sheet | Pin | Function | Sheet | Pin | Function | Sheet | Pin | Function | Sheet |
|-----|----------|-------|-----|----------|-------|-----|----------|-------|-----|----------|-------|
| 1   | GND      | 4.0   | 1   | GND      | 4.0   | 1   | GND      | 4.0   | 1   | GND      | 4.0   |
| 2   | GND      | 4.0   | 2   | CBTS0+   | 6.0   | 2   | EB00-1   | 5.0   | 2   | CEBK+    | N/U   |
| 3   | IUBB-1   | 9.0   | 3   | ICD3+    | 6.5   | 3   | EB01-1   | 5.0   | 3   | CPMAST+  | N/U   |
| 4   | GND      | 4.0   | 4   | CBTS1+   | 6.0   | 4   | EB02-1   | 5.0   | 4   | CIDXX5+  | N/U   |
| 5   | IUAA-1   | 9.0   | 5   | ICD2+    | 6.5   | 5   | EB03-1   | 5.0   | 5   | NSTP-    | N/U   |
| 6   | GND      | 4.0   | 6   | CBTS2+   | 6.0   | 6   | EB04-1   | 5.0   | 6   | QINT-    | N/U   |
| 7   | SPFA-    | 7.0   | 7   | ICD1+    | 6.0   | 7   | EB05-1   | 5.0   | 7   | NSS3-    | N/U   |
| 8   | GND      | 4.0   | 8   | CBTS3+   | 6.0   | 8   | EB06-1   | 5.0   | 8   | NSS1-    | N/U   |
| 9   | PR1X-1   | 10.0  | 9   | ICD4A+   | 6.0   | 9   | EB07-1   | 5.1   | 9   | NSS2-    | N/U   |
| 10  | GND      | 4.0   | 10  | CINTF+   | 6.3   | 10  | EB09-1   | 5.1   | 10  | CIDXX3+  | N/U   |
| 11  | PR2X-1   | 10.0  | 11  | IRDM-    | 6.0   | 11  | EB09-1   | 5.1   | 11  | PRJX-1   | 10.0  |
| 12  | GND      | 4.0   | 12  | PR1X-1   | 10.0  | 12  | EB10-1   | 5.1   | 12  | PEXAST3+ | N/U   |
| 13  | PR3X-1   | 10.0  | 13  | ICD0+    | 6.4   | 13  | EB11-1   | 5.1   | 13  | MFC-     | 5.2   |
| 14  | GND      | 4.0   | 14  | DJUMP+   | 11.3  | 14  | EB12-1   | 5.1   | 14  | GND      | 4.0   |
| 15  | PR4X-1   | 10.0  | 15  | MIL14A-  | 8.6   | 15  | EB13-1   | 5.1   | 15  | IR015+   | 6.0   |
| 16  | GND      | 4.0   | 16  | CBAB0+   | 6.4   | 16  | EB14-1   | 5.2   | 16  | IR014+   | 6.0   |
| 17  | PR5X-1   | 10.0  | 17  | ISRD+    | 6.3   | 17  | EB15-1   | 5.2   | 17  | IR013+   | 6.0   |
| 18  | GND      | 4.0   | 18  | CBAB1+   | 6.0   | 18  | GND      | 4.0   | 18  | IR012+   | 6.0   |
| 19  | PR6X-1   | 10.0  | 19  | CINMPC-  | 11.3  | 19  | NSS2-    | N/U   | 19  | IR011+   | 6.0   |
| 20  | GND      | 4.0   | 20  | IIA0+    | 6.4   | 20  | NSS1-    | N/U   | 20  | IR010+   | 6.0   |
| 21  | PR7X-1   | 10.0  | 21  | QINT-    | 11.2  | 21  | NSS3-    | N/U   | 21  | IR009+   | 6.0   |
| 22  | GND      | 4.0   | 22  | MTRC-    | 5.2   | 22  | GND      | 4.0   | 22  | IR008+   | 6.0   |
| 23  | PR8X-1   | 10.0  | 23  | IR0C-    | 6.4   | 23  | IEIDLA+  | 6.0   | 23  | IR007+   | 6.0   |
| 24  | GND      | 4.0   | 24  | CACIDE+  | 11.2  | 24  | GND      | 4.0   | 24  | IR006+   | 6.0   |
| 25  | PR9X-1   | 10.0  | 25  | MHC-     | 5.2   | 25  | NSTP-    | N/U   | 25  | IR005+   | 6.0   |
| 26  | GND      | 4.0   | 26  | IIA3+    | N/U   | 26  | GND      | 4.0   | 26  | IR004+   | 6.0   |
| 27  | BTMES-1  | N/U   | 27  | CBMT+    | 6.0   | 27  | QFSTRT-  | 7.0   | 27  | IR003+   | 6.0   |
| 28  | GND      | 4.0   | 28  | IIA2+    | 6.4   | 28  | GND      | 4.0   | 28  | IR002+   | 6.0   |
| 29  | IOK1-1   | N/U   | 29  | CIDK0+   | 11.2  | 29  | PR10X-1  | 10.0  | 29  | IR001+   | 6.0   |
| 30  | IOK2-1   | N/U   | 30  | IIA1+    | 6.4   | 30  | GND      | 4.0   | 30  | IR000+   | 6.0   |
| 31  | IOK3-1   | N/U   | 31  | MIMC1+   | 11.3  | 31  | SERX-1   | 9.0   | 31  | GND      | 4.0   |
| 32  | IOK4-1   | N/U   | 32  | M0CLK+   | 5.2   | 32  | GND      | 4.0   | 32  | IRA07+   | 6.0   |
| 33  | GND      | N/U   | 33  | IWRMC-   | 6.2   | 33  | IURX-1   | 5.2   | 33  | IRA06+   | 6.0   |
| 34  | BIMES-1  | N/U   | 34  | MTAMI+   | 11.3  | 34  | GND      | 4.0   | 34  | IRA01+   | 6.0   |
| 35  | GND      | N/U   | 35  | TWLMC-   | 6.2   | 35  | TR0X-1   | 6.4   | 35  | IRA04+   | 6.0   |
| 36  | (SPARE)  | N/U   | 36  | CBMR+    | 6.0   | 36  | GND      | 4.0   | 36  | IRA03+   | 6.0   |
| 37  | (SPARE)  | N/U   | 37  | MAK10+   | 6.2   | 37  | TR1X-1   | 6.4   | 37  | IRA05+   | 6.0   |
| 38  | GND      | 4.0   | 38  | MFC-     | 5.2   | 38  | GND      | 4.0   | 38  | IRA02+   | 6.0   |
| 39  | TR0F-1   | 6.4   | 39  | MES2A-   | 11.3  | 39  | IUAX-1   | 5.2   | 39  | IRA00+   | 6.0   |
| 40  | GND      | 4.0   | 40  | CPMAST+  | 12.8  | 40  | GND      | 4.0   | 40  | GND      | 4.0   |
| 41  | TR1F-1   | 6.4   | 41  | OROM-    | 12.9  | 41  | FRYX-1   | 5.2   | 41  | X10CC-   | 6.0   |
| 42  | GND      | 4.0   | 42  | CCS3D+   | 8.6   | 42  | GND      | 4.0   | 42  | CID00+   | N/U   |
| 43  | IUCF-1   | 6.4   | 43  | MAK0+    | 10.1  | 43  | IUCX-1   | 5.2   | 43  | CID10-   | 11.2  |
| 44  | GND      | 4.0   | 44  | IAKCI-   | 6.3   | 44  | GND      | 4.0   | 44  | IINH0-   | 6.2   |
| 45  | FRYF-1   | 6.4   | 45  | CIDH1+   | 11.2  | 45  | SVRT-1   | 5.2   | 45  | BINTE-   | 11.2  |
| 46  | GND      | 4.0   | 46  | CRO10+   | 6.1   | 46  | GND      | 4.0   | 46  | AREA3-   | 12.10 |
| 47  | IUAF-1   | 6.4   | 47  | CIDJMK+  | 11.2  | 47  | DRYX-1   | 5.2   | 47  | BIN10-   | 11.2  |
| 48  | GND      | 4.0   | 48  | IDNC-    | 6.2   | 48  | GND      | 4.0   | 48  | MIRA3-   | N/U   |
| 49  | DRYF-1   | 6.4   | 49  | MCRB+    | 11.3  | 49  | IURX-1   | 5.2   | 49  | MIMC0+   | N/U   |
| 50  | GND      | 4.0   | 50  | GND      | 4.0   | 50  | GND      | 4.0   | 50  | GND      | 4.0   |

|                |      |              |      |
|----------------|------|--------------|------|
| CODE IDENT NO. | SIZE | DWG NO.      | REV. |
| 21101          | C    | W9100401     | B    |
| SCALE          |      | SHEET 3.0 OF |      |



M CONNECTOR

J7A CONNECTOR

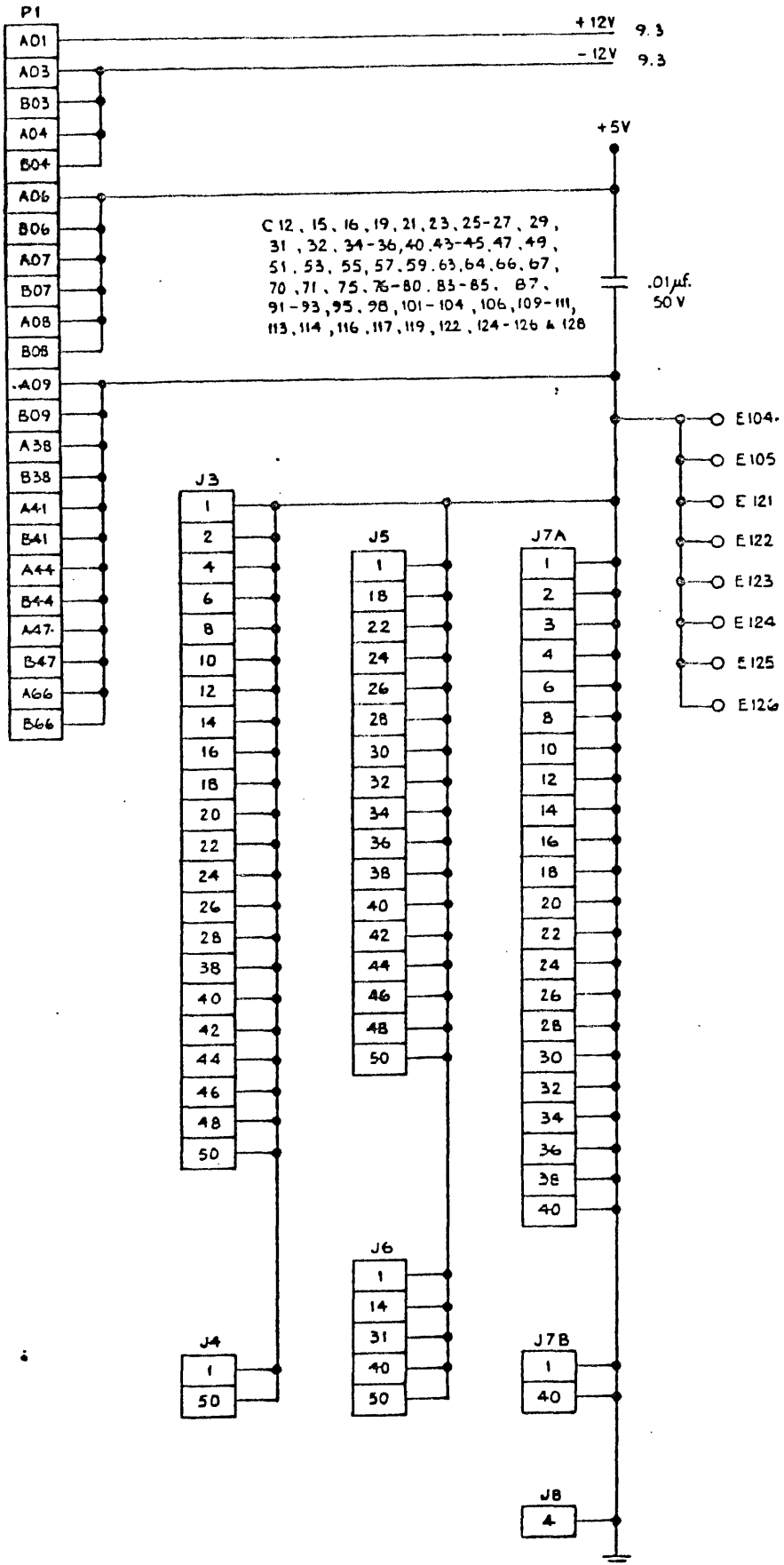
J7B CONNECTOR

| Pin | Function | Sheet | Pin | Function | Sheet | Pin | Function | Sheet | Pin | Function | Sheet |
|-----|----------|-------|-----|----------|-------|-----|----------|-------|-----|----------|-------|
| A01 | +12V Mem | 4.0   | B01 | +20V MEM | N/U   | 1   | GND      | 4.0   | 1   | GND      | 4.0   |
| A02 | +20.6V   | N/U   | B02 | +20.6V   | N/U   | 2   | GND      | 4.0   | 2   | PA00-    | 12.0  |
| A03 | -12V     | 4.0   | B03 | -12V     | 4.0   | 3   | GND      | 4.0   | 3   | PA01-    | 12.0  |
| A04 | -12V     | 4.0   | B04 | -12V     | 4.0   | 4   | GND      | 4.0   | 4   | PA02-    | 12.0  |
| A05 | LFRT C-  | 8.2   | B05 | +5V MEM  | N/U   | 5   | DTRDY-   | N/U   | 5   | PA03-    | 12.0  |
| A06 | +5V      | 4.0   | B06 | +5V      | 4.0   | 6   | GND      | 4.0   | 6   | PA04-    | 12.0  |
| A07 | +5V      | 4.0   | B07 | +5V      | 4.0   | 7   | STAKT-   | 12.8  | 7   | PA05-    | 12.0  |
| A08 | +5V      | 4.0   | B08 | +5V      | 4.0   | 8   | GND      | 4.0   | 8   | PA06-    | 12.1  |
| A09 | GND      | 4.0   | B09 | GND      | 4.0   | 9   | G0-      | 12.8  | 9   | PA07-    | 12.1  |
| A10 | SPFA-    | 7.0   | B10 | SKST-    | 6.2   | 10  | GND      | 4.0   | 10  | PA08-    | 12.1  |
| A11 | MYAA00+  | 12.0  | B11 | MYA800-  | 12.0  | 11  | H0G-     | 12.8  | 11  | PA09-    | 12.1  |
| A12 | MYAA01+  | 12.0  | B12 | MYA801-  | 12.0  | 12  | GND      | 4.0   | 12  | PA10-    | 12.1  |
| A13 | MYAA02+  | 12.0  | B13 | MYA802+  | 12.0  | 13  | PMRS-    | 12.8  | 13  | PA11-    | 12.1  |
| A14 | MYAA03+  | 12.0  | B14 | MYA803+  | 12.0  | 14  | GND      | 4.0   | 14  | PA12-    | 12.2  |
| A15 | MYAA04+  | 12.0  | B15 | MYA804+  | 12.0  | 15  | ACK4-    | 12.7  | 15  | PA13-    | 12.2  |
| A16 | MYAA05+  | 12.0  | B16 | MYA805+  | 12.0  | 16  | GND      | 4.0   | 16  | PA14-    | 12.2  |
| A17 | MYAA06+  | 12.1  | B17 | MYA806+  | 12.1  | 17  | ACK3-    | 12.7  | 17  | PA15-    | 12.2  |
| A18 | MYAA07+  | 12.0  | B18 | MYA807+  | 12.1  | 18  | GND      | 4.0   | 18  | PA16-    | 12.2  |
| A19 | MYAA08+  | 12.0  | B19 | MYA808+  | 12.1  | 19  | ACK1-    | 12.7  | 19  | PA17-    | 12.2  |
| A20 | MYAA09+  | 12.1  | B20 | MYA809+  | 12.1  | 20  | GND      | 4.0   | 20  | PA18-    | 12.2  |
| A21 | MYMA09+  | N/U   | B21 | MYM809+  | 12.1  | 21  | ACK2-    | 12.7  | 21  | PA19-    | 12.2  |
| A22 | MYAA10-  | 12.1  | B22 | MYM810-  | 12.1  | 22  | GND      | 4.0   | 22  | PD00-    | 12.3  |
| A23 | MYMA10-  | N/U   | B23 | MYM810+  | 12.1  | 23  | REQ3-    | 12.6  | 23  | PD01-    | 12.3  |
| A24 | MYAA11-  | 12.1  | B24 | MYM811-  | 12.1  | 24  | GND      | 4.0   | 24  | PD02-    | 12.3  |
| A25 | MYMA11-  | N/U   | B25 | MYM811+  | 12.1  | 25  | READ-    | 12.8  | 25  | PD03-    | 12.3  |
| A26 | MYAA12+  | 12.2  | B26 | MYM812+  | 12.2  | 26  | GND      | 4.0   | 26  | PD04-    | 12.3  |
| A27 | MYMA12+  | N/U   | B27 | MYM812-  | 12.2  | 27  | (SPARE)  | N/U   | 27  | PD05-    | 12.3  |
| A28 | MYAA13+  | 12.2  | B28 | MYM813-  | 12.2  | 28  | GND      | 4.0   | 28  | PD06-    | 12.4  |
| A29 | MYMA13+  | N/U   | B29 | MYM813+  | 12.2  | 29  | REQ4-    | 12.6  | 29  | PD07-    | 12.4  |
| A30 | MYAA14+  | 12.2  | B30 | MYM814-  | 12.2  | 30  | GND      | 4.0   | 30  | PD08-    | 12.4  |
| A31 | MYMA14+  | N/U   | B31 | MYM814+  | 12.2  | 31  | (SPARE)  | N/U   | 31  | PD09-    | 12.4  |
| A32 | MYAA15+  | 12.2  | B32 | MYM815+  | 12.2  | 32  | GND      | 4.0   | 32  | PD10-    | 12.4  |
| A33 | MYMA15+  | N/U   | B33 | MYM815+  | 12.2  | 33  | SYRT-P   | 12.8  | 33  | PD11-    | 12.4  |
| A34 | MYKA16-  | N/U   | B34 | MYK816+  | 12.2  | 34  | GND      | 4.0   | 34  | PD12-    | 12.5  |
| A35 | MYKA17-  | N/U   | B35 | MYK817+  | 12.2  | 35  | REQ1-    | 12.6  | 35  | PD13-    | 12.5  |
| A36 | MYKA18-  | N/U   | B36 | MYK818+  | 12.2  | 36  | GND      | 4.0   | 36  | PD14-    | 12.5  |
| A37 | MYKA19-  | N/U   | B37 | MYK819+  | 12.2  | 37  | REQ2-    | 12.6  | 37  | PD15-    | 12.5  |
| A38 | GND      | 4.0   | B38 | GND      | 4.0   | 38  | GND      | 4.0   | 38  | PD16-    | 12.5  |
| A39 | MROYA-   | 6.5   | B39 | MROYB-   | 6.5   | 39  | SPARE    | N/U   | 39  | PD17-    | 12.5  |
| A40 | MRYA-    | 6.5   | B40 | MRYB-    | 6.5   | 40  | GND      | 4.0   | 40  | GND      | 4.0   |
| A41 | GND      | 4.0   | B41 | GND      | 4.0   |     |          |       |     |          |       |
| A42 | YDNMA-   | 6.5   | B42 | YDNMB-   | 6.5   |     |          |       |     |          |       |
| A43 | MHMY-    | 12.8  | B43 | MHGY-    | 12.8  |     |          |       |     |          |       |
| A44 | GND      | 4.0   | B44 | GND      | 4.0   |     |          |       |     |          |       |
| A45 | MWRYA+   | 12.10 | B45 | MWRYB-   | 12.10 |     |          |       |     |          |       |
| A46 | MWLYA+   | 12.10 | B46 | MWLYB-   | 12.10 |     |          |       |     |          |       |
| A47 | GND      | 4.0   | B47 | GND      | 4.0   |     |          |       |     |          |       |
| A48 | MYDA00-  | 12.3  | B48 | MYD800-  | 12.3  |     |          |       |     |          |       |
| A49 | MYDA01-  | 12.3  | B49 | MYD801-  | 12.3  |     |          |       |     |          |       |
| A50 | MYDA02-  | 12.3  | B50 | MYD802-  | 12.3  |     |          |       |     |          |       |
| A51 | MYDA03-  | 12.3  | B51 | MYD803-  | 12.3  |     |          |       |     |          |       |
| A52 | MYDA04-  | 12.3  | B52 | MYD804-  | 12.3  |     |          |       |     |          |       |
| A53 | MYDA05-  | 12.3  | B53 | MYD805-  | 12.3  |     |          |       |     |          |       |
| A54 | MYDA06-  | 12.4  | B54 | MYD806-  | 12.4  |     |          |       |     |          |       |
| A55 | MYDA07-  | 12.4  | B55 | MYD807-  | 12.4  |     |          |       |     |          |       |
| A56 | MYDA08-  | 12.4  | B56 | MYD808-  | 12.4  |     |          |       |     |          |       |
| A57 | MYDA09-  | 12.4  | B57 | MYD809-  | 12.4  |     |          |       |     |          |       |
| A58 | MYDA10-  | 12.4  | B58 | MYD810-  | 12.4  |     |          |       |     |          |       |
| A59 | MYDA11-  | 12.4  | B59 | MYD811-  | 12.4  |     |          |       |     |          |       |
| A60 | MYDA12-  | 12.5  | B60 | MYD812-  | 12.5  |     |          |       |     |          |       |
| A61 | MYDA13-  | 12.5  | B61 | MYD813-  | 12.5  |     |          |       |     |          |       |
| A62 | MYDA14-  | 12.5  | B62 | MYD814-  | 12.5  |     |          |       |     |          |       |
| A63 | MYDA15-  | 12.5  | B63 | MYD815-  | 12.5  |     |          |       |     |          |       |
| A64 | MYDA16-  | 12.5  | B64 | MYD816-  | 12.5  |     |          |       |     |          |       |
| A65 | MYDA17-  | 12.5  | B65 | MYD817-  | 12.5  |     |          |       |     |          |       |
| A66 | GND      | 4.0   | B66 | GND      | N/U   |     |          |       |     |          |       |

J8 CONNECTOR

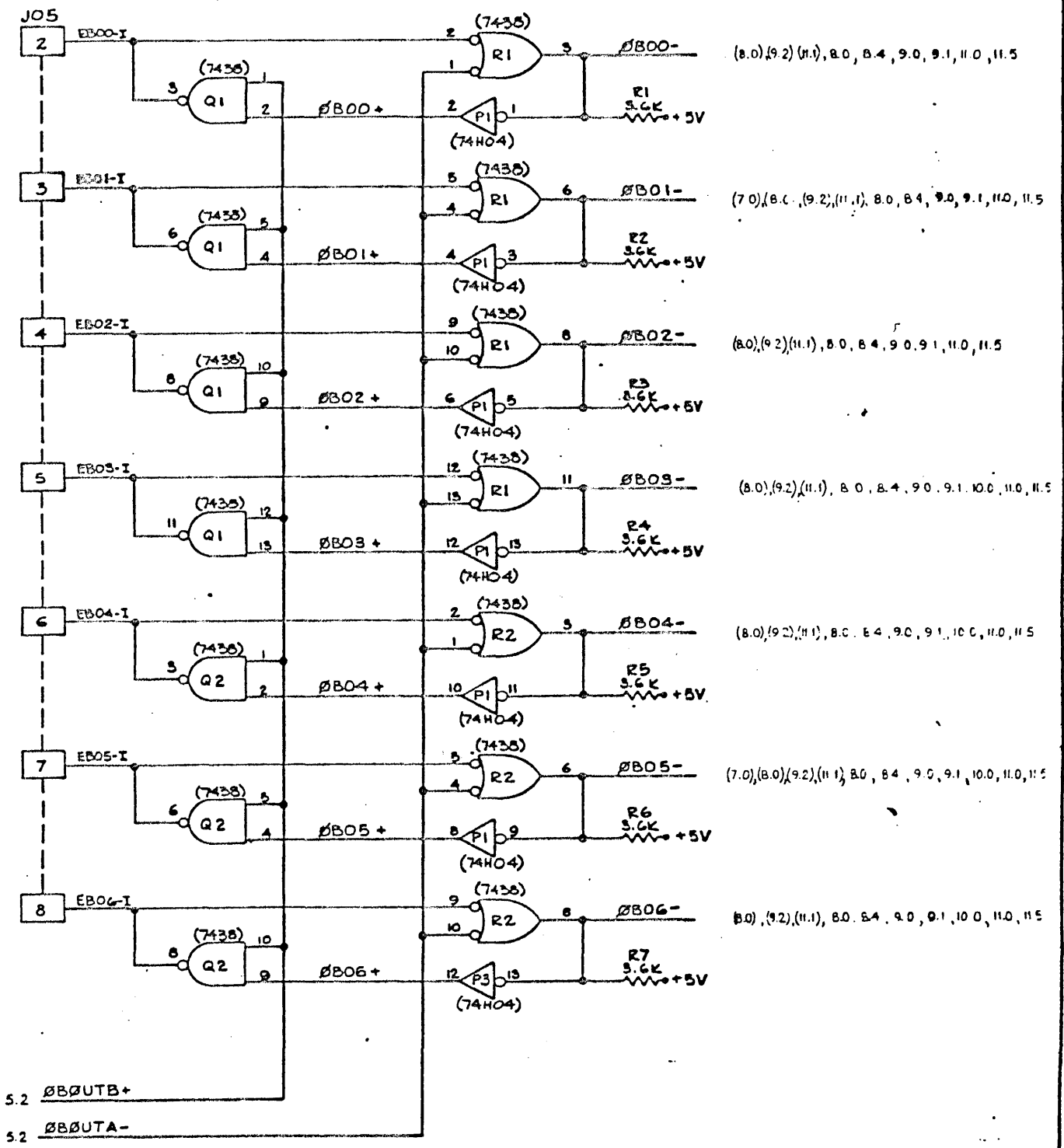
| Pin | Function    | Sheet |
|-----|-------------|-------|
| 1   | TTY1-       | 9.3   |
| 2   | TYCL2       | 9.3   |
| 3   | TTYB-       | 9.3   |
| 4   | TYCLR-(GND) | 9.3   |
| 5   |             | N/U   |
| 6   | TTYB-       | 9.3   |
| 7   | TYCL1       | 9.3   |
| 8   | TTYT-       | 9.3   |
| 9   |             | N/U   |

|                |      |              |      |
|----------------|------|--------------|------|
| CODE IDENT NO. | SIZE | DWG NO       | REV. |
| 21101          | C    | W9100401     | B    |
| SCALE          |      | SHEET 3.1 OF |      |



POWER, GROUND & DECOUPL.

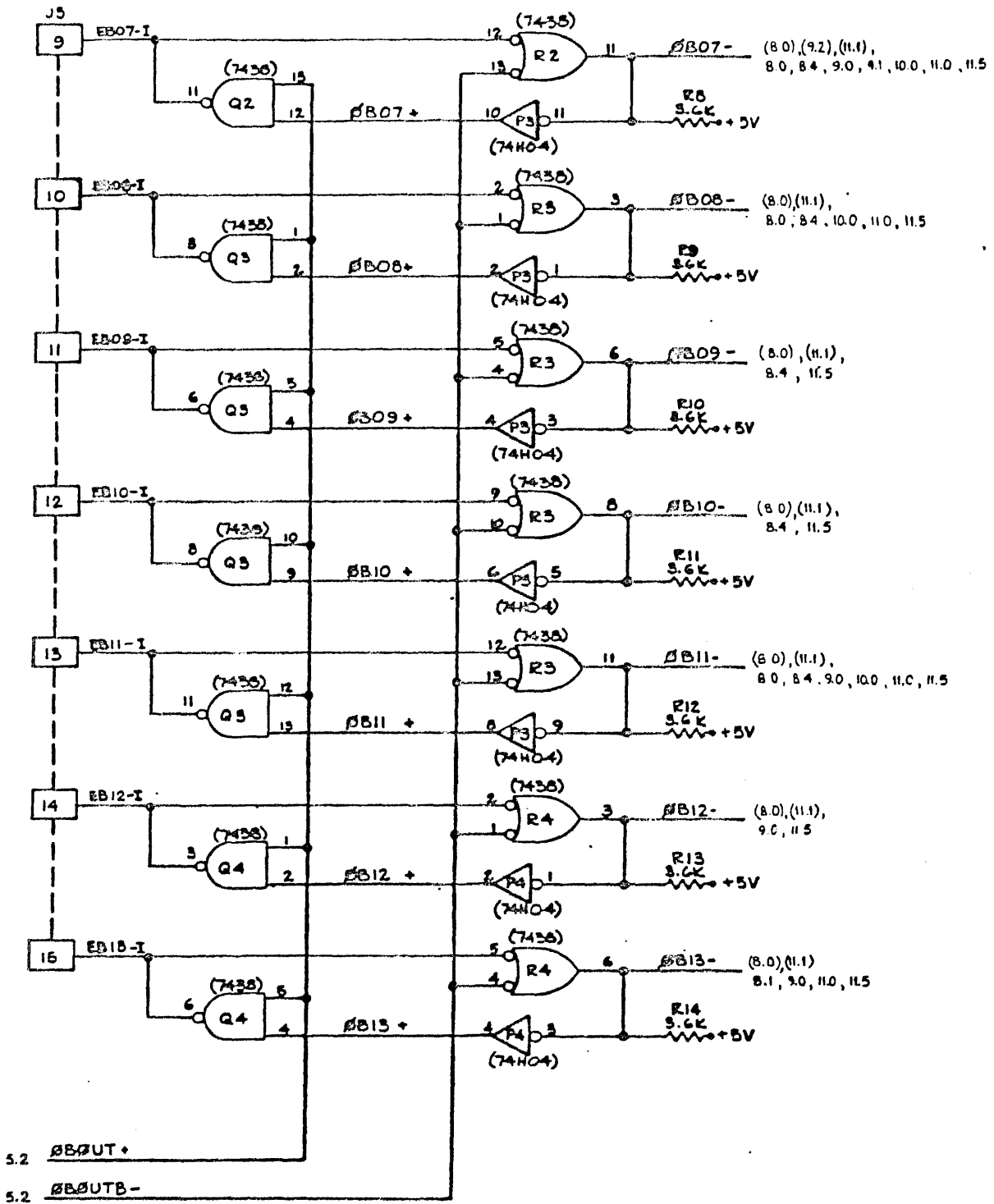
|       |     |           |      |          |              |
|-------|-----|-----------|------|----------|--------------|
| DATE  | REV | NO.       | SIZE | DRWG NO. | REV          |
| 21101 | C   | W 9100401 |      |          | BY           |
| SCALE |     |           |      |          | SHEET 4.0 OF |



1. (X.X) = SOURCE SHEET

OPTION BOARD, COMMON LOGIC

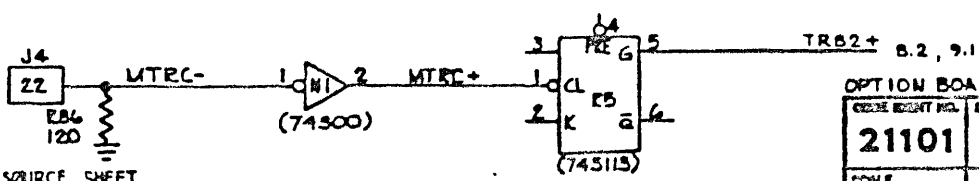
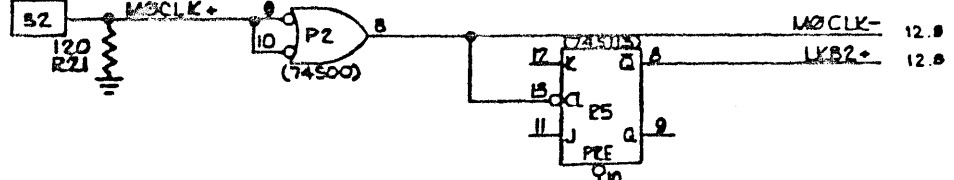
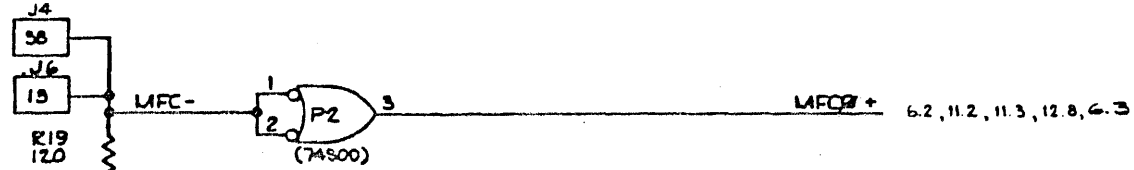
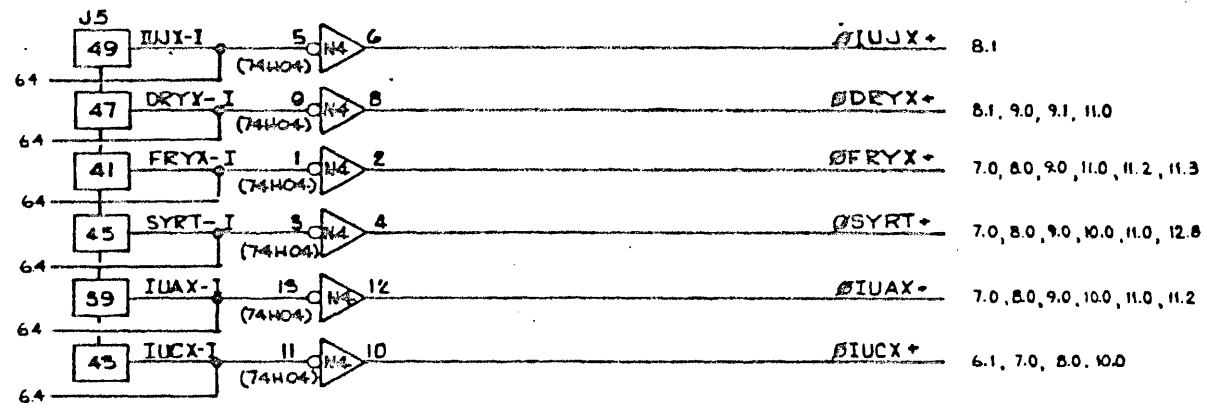
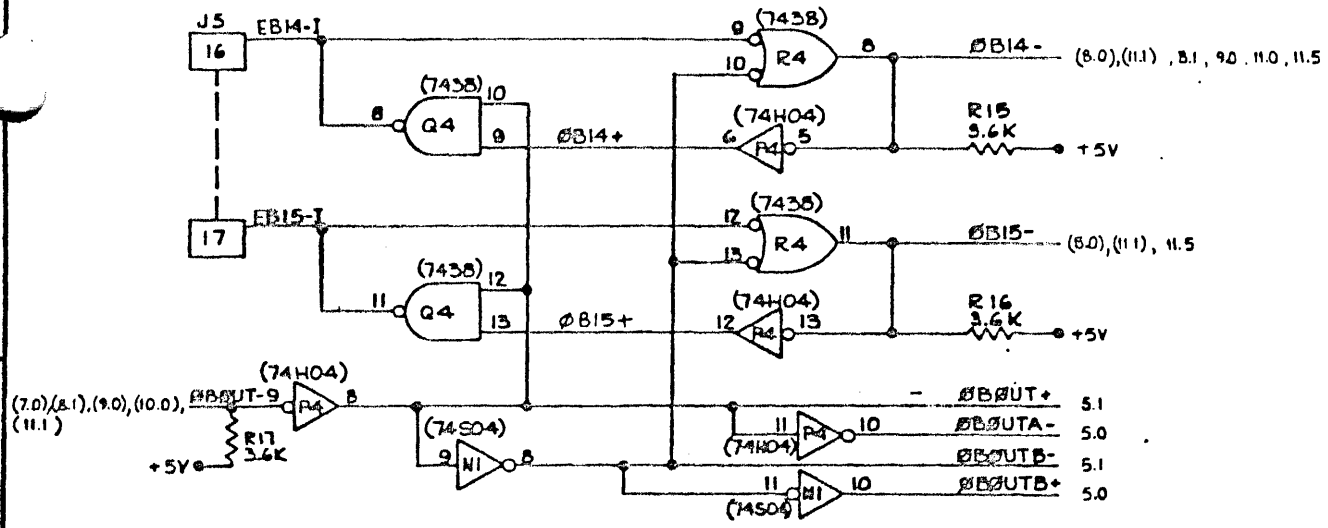
|          |       |              |   |         |          |     |    |
|----------|-------|--------------|---|---------|----------|-----|----|
| ENGINEER | 21101 | SCALE        | C | DRWG NO | W9100401 | REV | BY |
| SCALE    |       | SHEET 2.0 OF |   |         |          |     |    |



NOTE. 1. (X.X) = SOURCE SHEET

OPTION BOARD, COMMON LOGIC

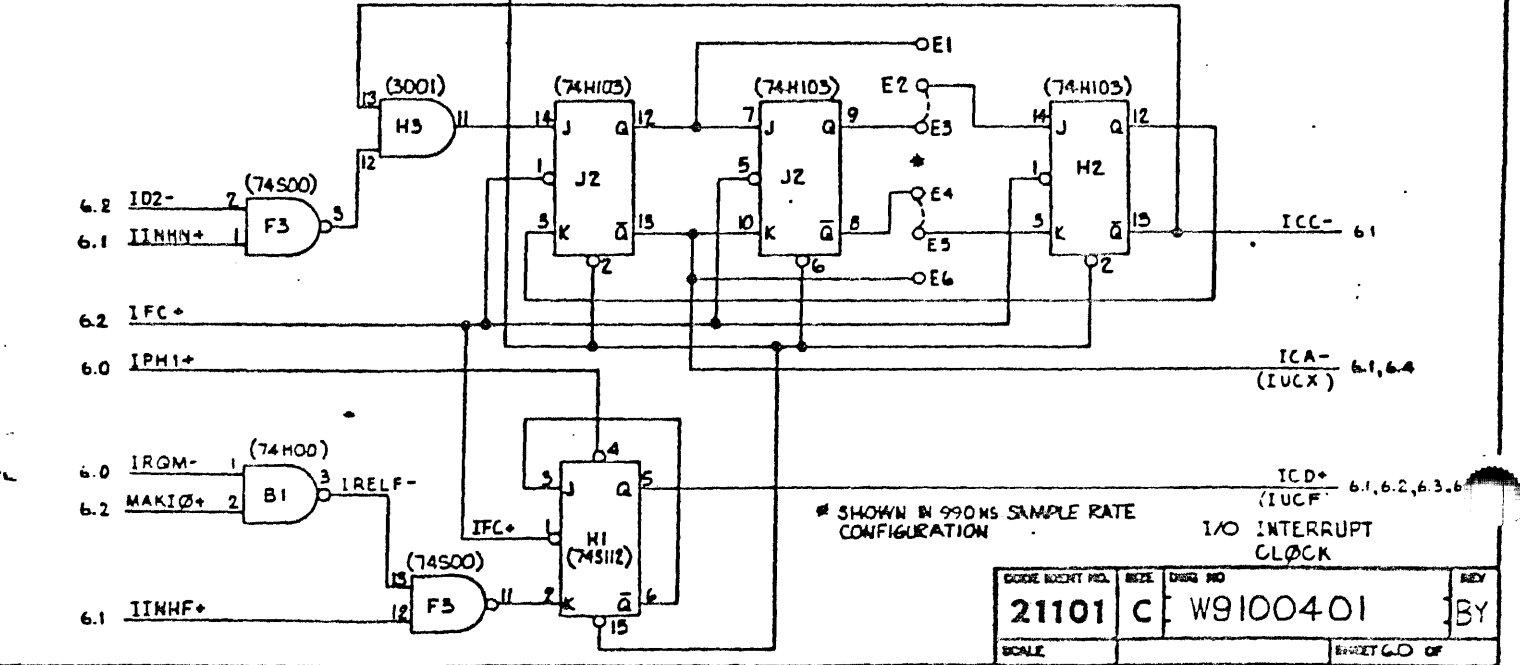
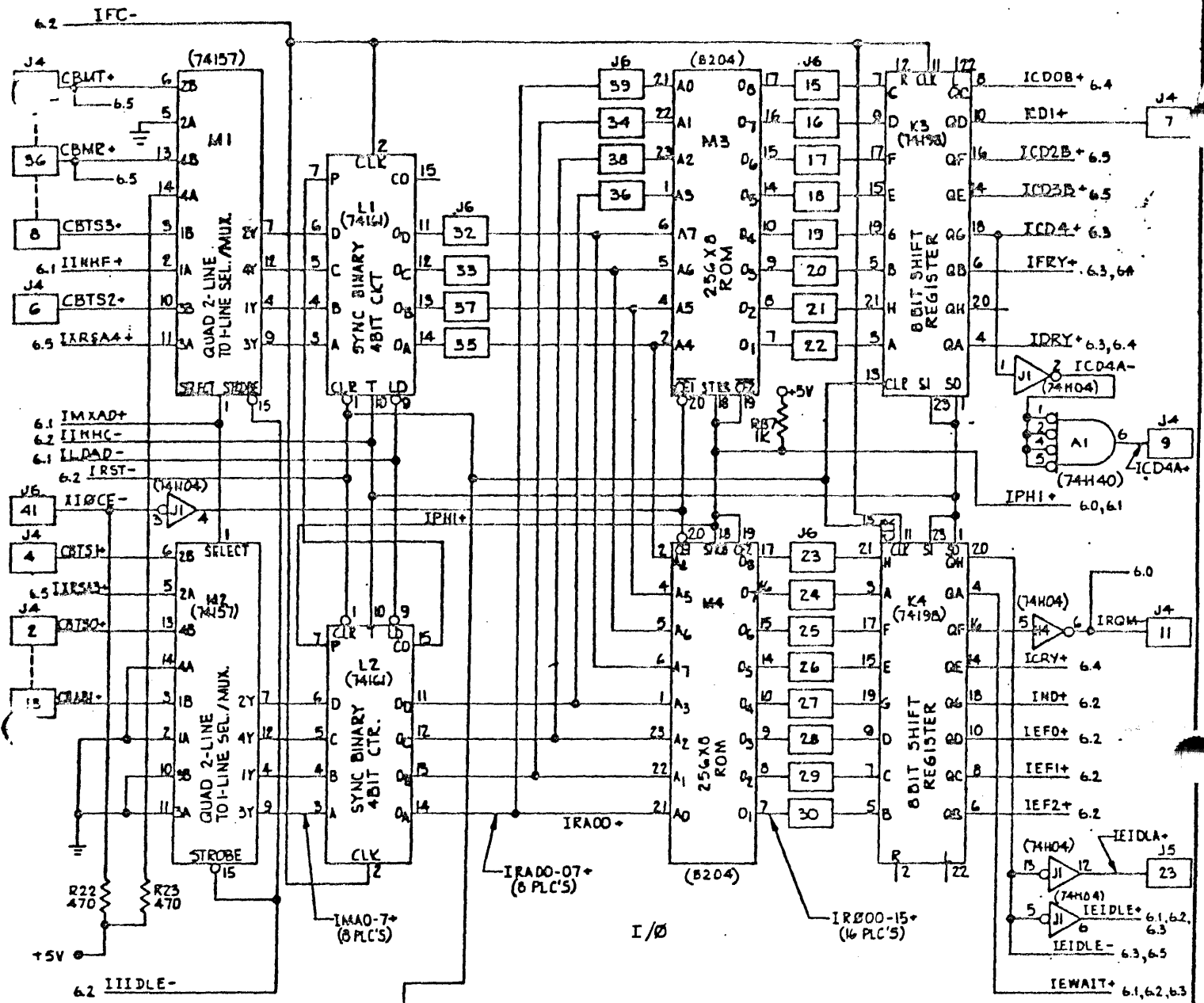
| DOUGLASS PART NO. | REV.         | DATE     | BY |
|-------------------|--------------|----------|----|
| 21101             | C            | W9100401 | BY |
| SCALE             | SHEET 5.1 OF |          |    |



NOTE: 1. (X.X) = SOURCE SHEET

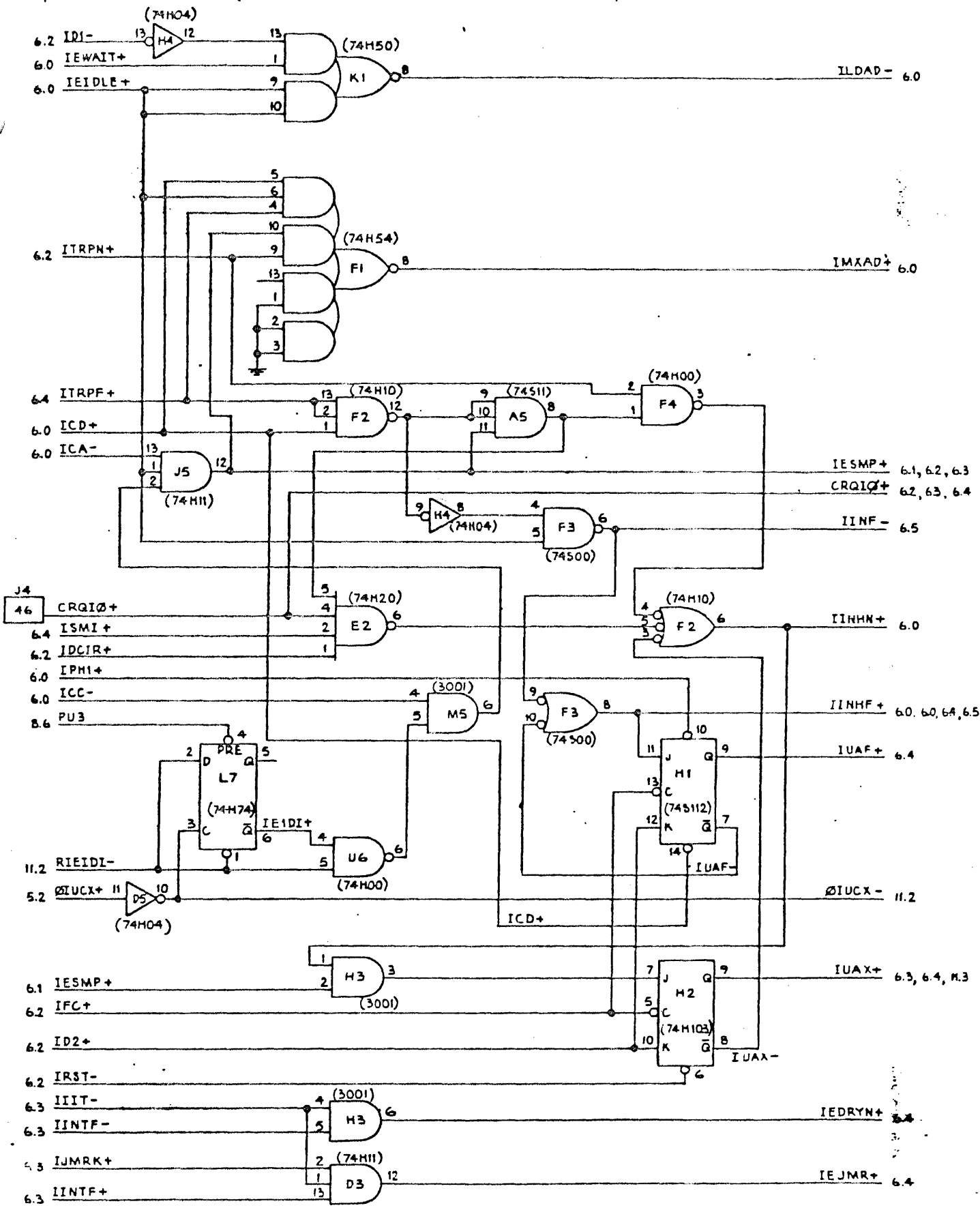
OPTION BOARD COMMON LOGIC

|       |   |          |              |
|-------|---|----------|--------------|
| 21101 | C | W91C0401 | BY           |
| SCALE |   |          | SHEET 5.2 OF |



\* SHOWN IN 990 NS SAMPLE RATE CONFIGURATION I/O INTERRUPT CLOCK

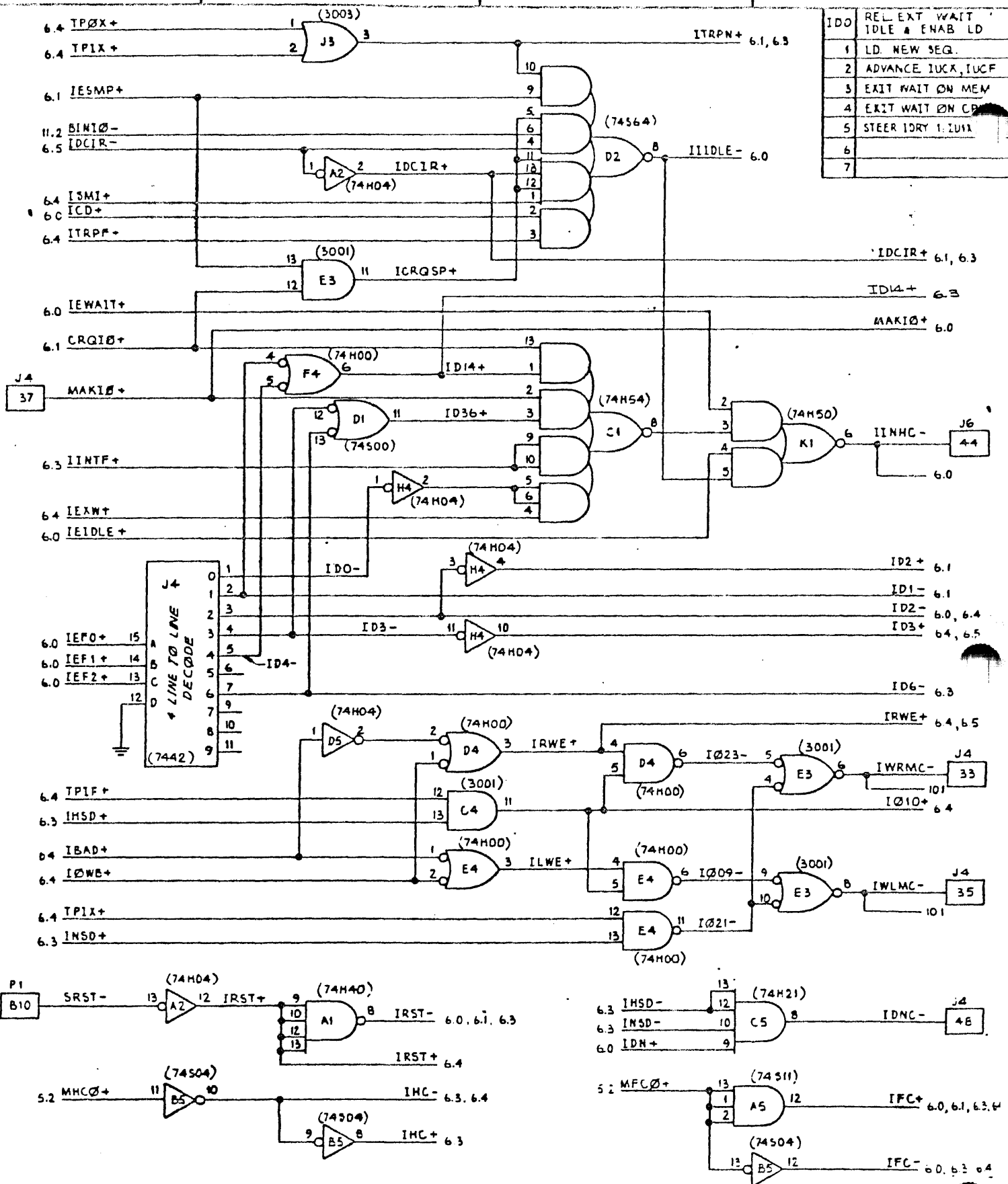
|       |           |     |          |                 |
|-------|-----------|-----|----------|-----------------|
| CODE  | ISSUE NO. | REV | DATE     | BY              |
| 21101 | C         |     | W9100401 | BY              |
| SCALE |           |     |          | REVISED G.D. OF |



I/O

|                |      |          |              |
|----------------|------|----------|--------------|
| CODE IDENT NO. | SIZE | DRWG NO. | KEY          |
| 21101          | C    | W9100401 | BY           |
| SCALE          |      |          | SHEET 6.1 OF |

| ID0 | REL     | EXT  | WAIT   | IDLE & ENAB | LD |
|-----|---------|------|--------|-------------|----|
| 1   | LD      | NEW  | SEQ.   |             |    |
| 2   | ADVANCE | IUCK | IUCF   |             |    |
| 3   | EXIT    | WAIT | ON MEM |             |    |
| 4   | EXIT    | WAIT | ON CR  |             |    |
| 5   | STEER   | IDRY | 1:IDRX |             |    |
| 6   |         |      |        |             |    |
| 7   |         |      |        |             |    |

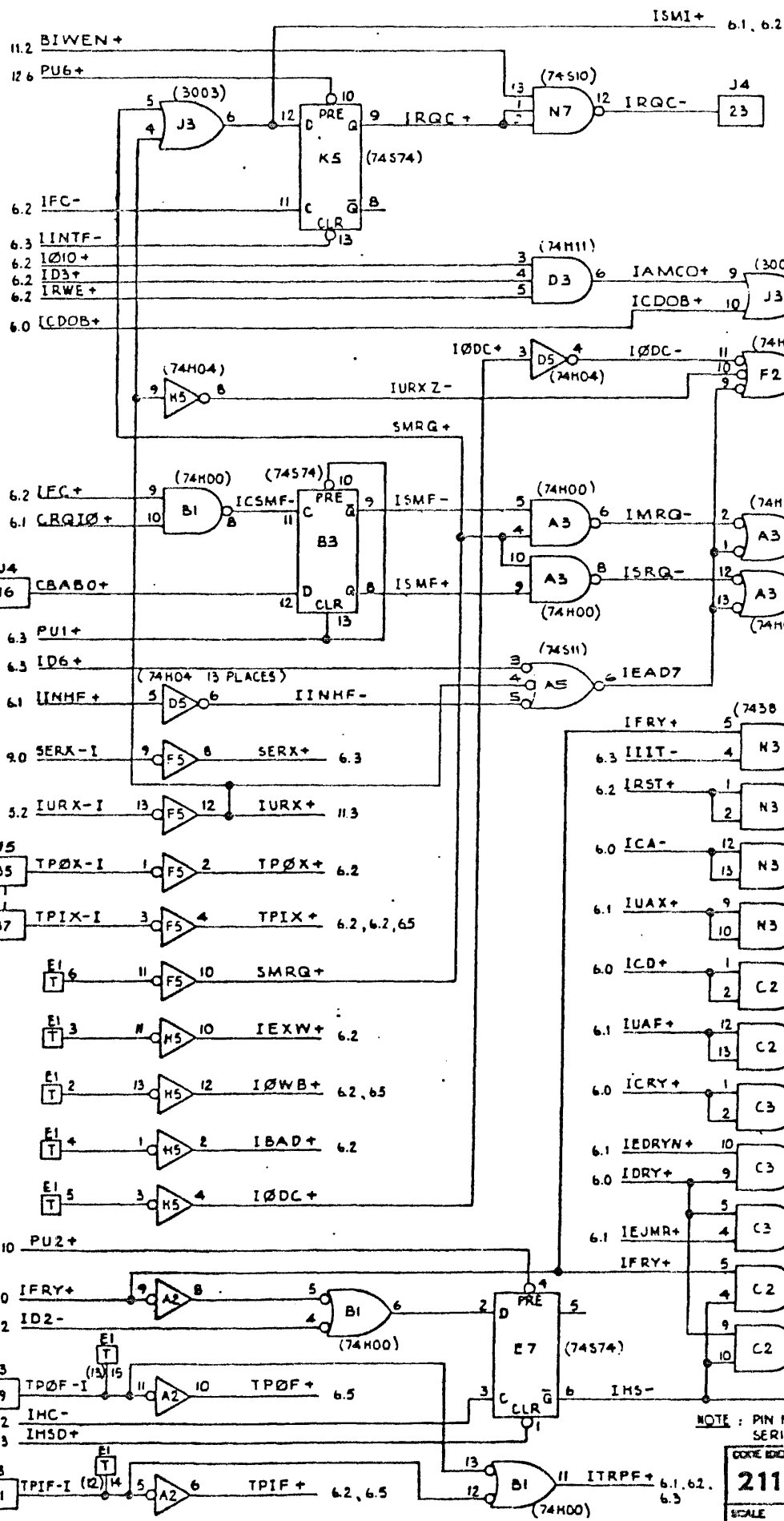


I/O

|                |              |          |     |
|----------------|--------------|----------|-----|
| CODE IDENT NO. | SIZE         | DRWG NO. | REV |
| 21101          | C            | W9100401 | 3   |
| SCALE          | SHEET 4.2 OF |          |     |







| I1A0+ | I1A1+ | I1A2+ |                |
|-------|-------|-------|----------------|
| 0     | 0     | 0     | CMND CHAIN INT |
| 1     | 0     | 0     | IØ INT         |
| 0     | 1     | 0     | MUX TRANS. RE  |
| 1     | 1     | 0     | MUX CALL       |
| 0     | 0     | 1     | SEL TRANS. REQ |
| 1     | 0     | 1     | SELL CALL      |
| 0     | 1     | 1     |                |
| 1     | 1     | 1     | REQ PHASE      |

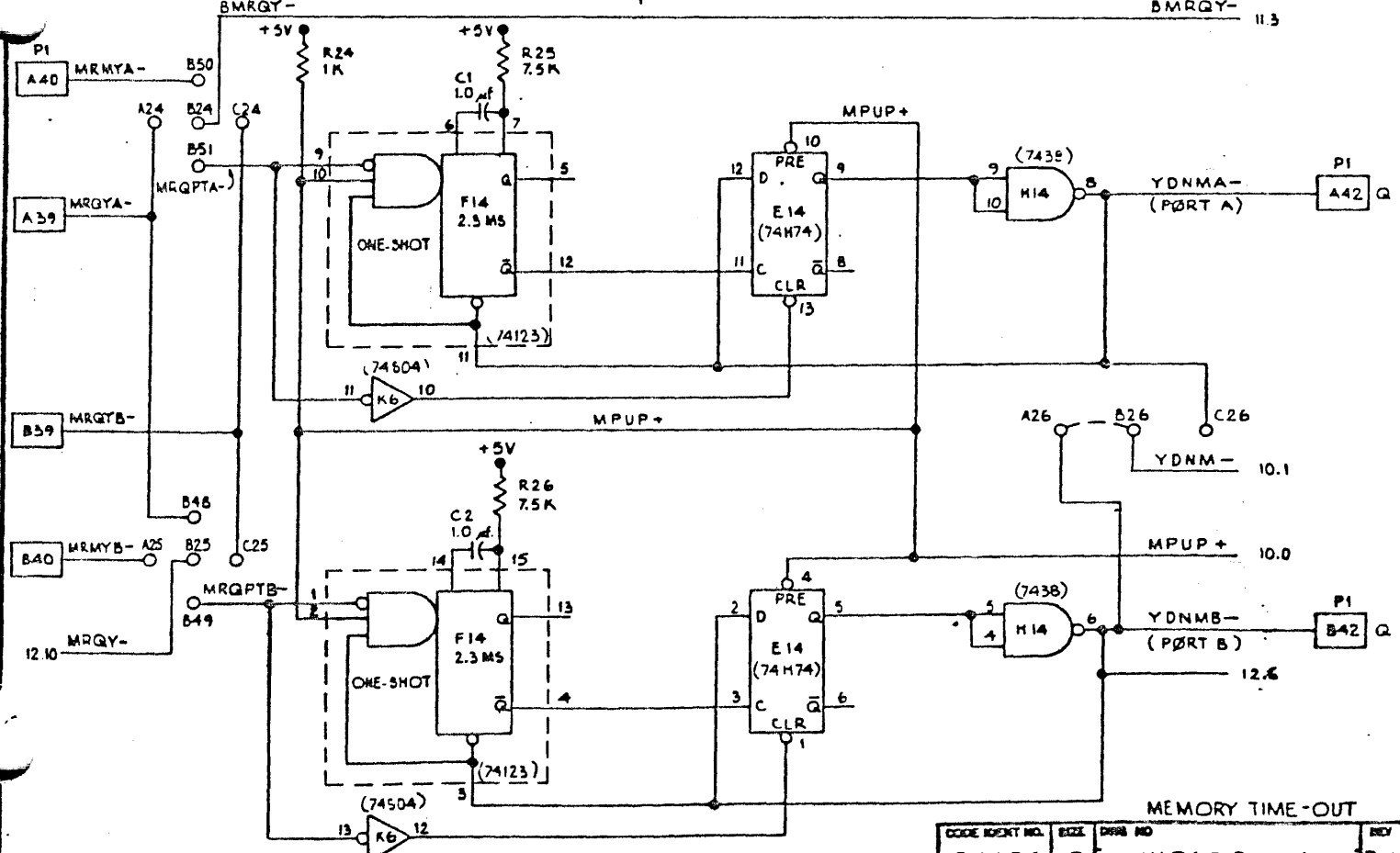
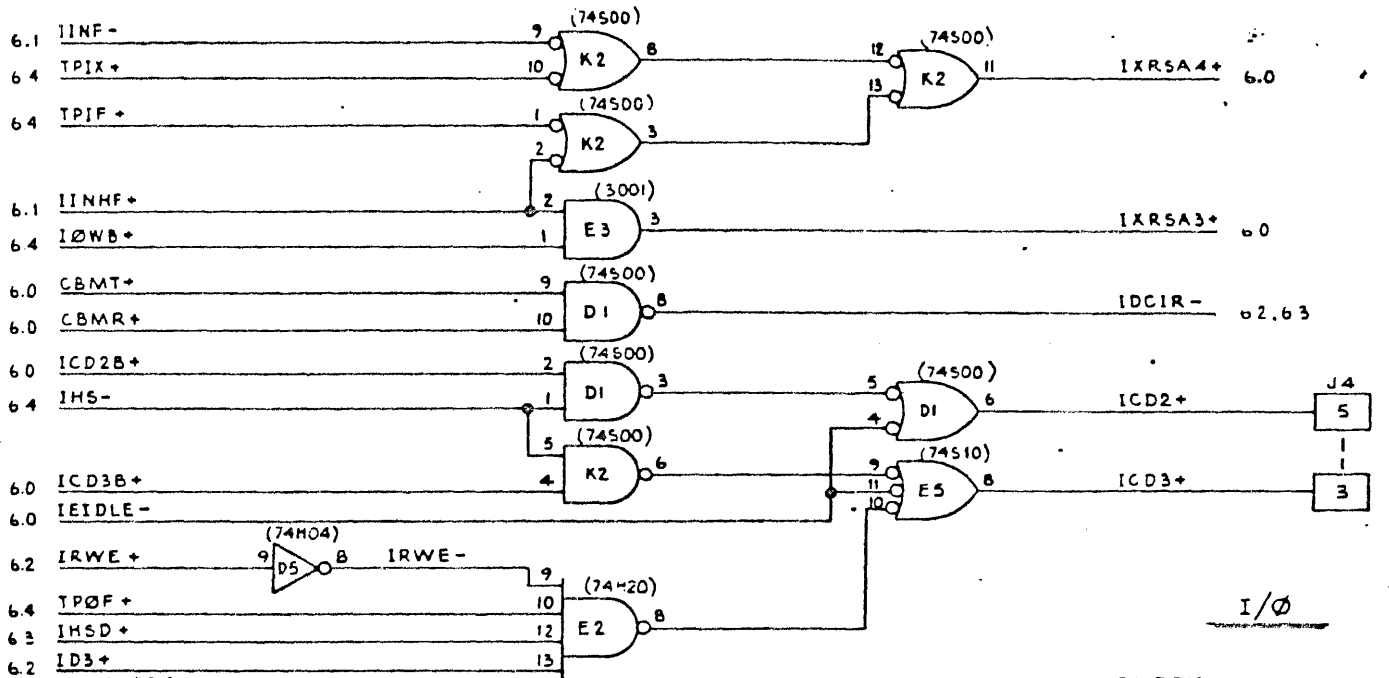
I/O

NOTE: PIN NO'S IN ( ) INDICATES PIN NO'S USED ON SERIAL NO'S 1 THRU 10

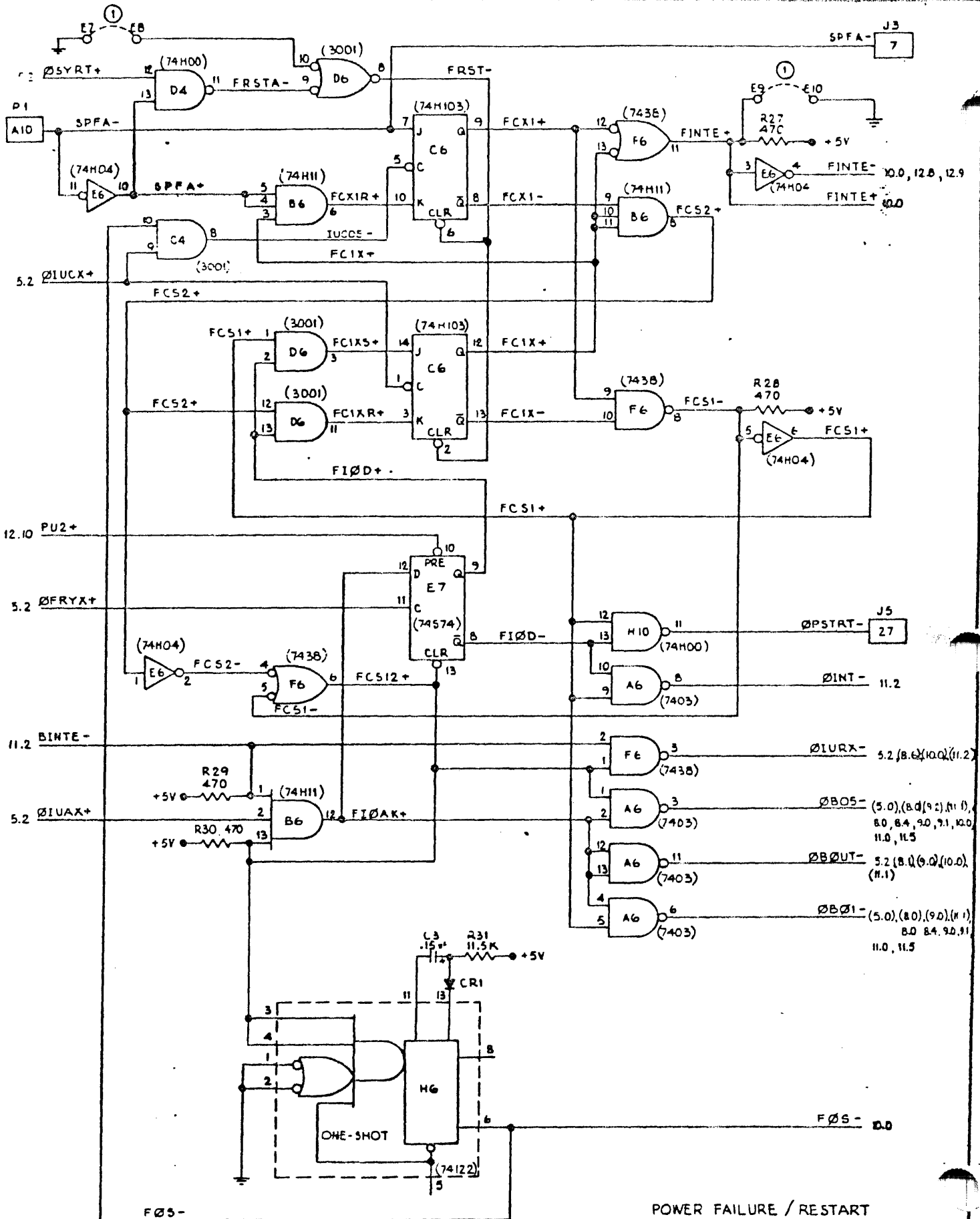
|                |              |          |     |
|----------------|--------------|----------|-----|
| DATE IDENT NO. | SIZE         | DWG NO   | REV |
| 21101          | C            | W9100401 | BY  |
| SCALE          | SHEET 6.4 OF |          |     |

| SEQ   | 0 | 1 | 2 | 3 | 4 | 5 | 6 | 7 |       |
|-------|---|---|---|---|---|---|---|---|-------|
| TPØX  | 0 | 0 | 0 | 0 | 0 | 0 | 1 | 1 | 0-13  |
| TPIX  | 0 | 1 | 1 | 1 | 0 | 0 | 1 | 1 | 14-27 |
| TPØF  | 0 | 0 | 1 | 1 | 1 | 0 | 1 | 1 | 28-35 |
| TPIF  | 0 | 0 | 1 | 0 | 0 | 1 | 1 | 1 | 36-43 |
| TPØFB | 0 | 0 | 1 | 1 | 0 | 1 | 1 | 1 | 44-53 |
| TPIFB | 0 | 1 | 1 | 0 | 1 | 1 | 1 | 1 | 54-63 |

|    |              |
|----|--------------|
| 67 | 255          |
| 11 | DMA          |
| 01 | SMRG<br>IURX |
| 10 | PRØG         |
| 00 | PRØG         |
|    | 0            |



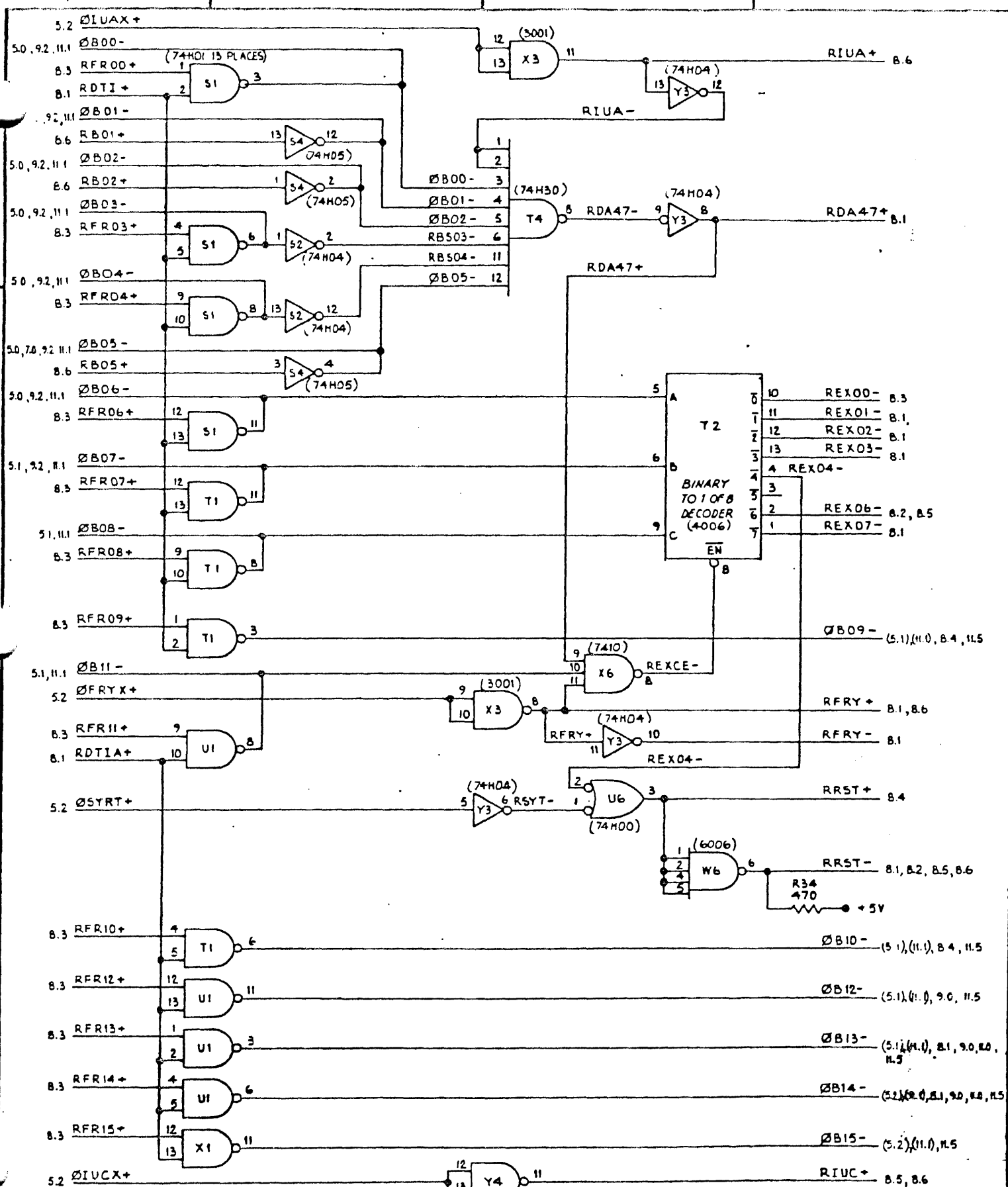
|                 |              |           |     |
|-----------------|--------------|-----------|-----|
| CODE INSERT NO. | SIZE         | ISSUE NO. | REV |
| 21101           | C            | W9100401  | BY  |
| SCALE           | SHEET 6.5 OF |           |     |



NOTE: 2. (X.X) = SOURCE SHEET  
 NOTE: ①. JUMPER DISABLES OPTION

POWER FAILURE / RESTART

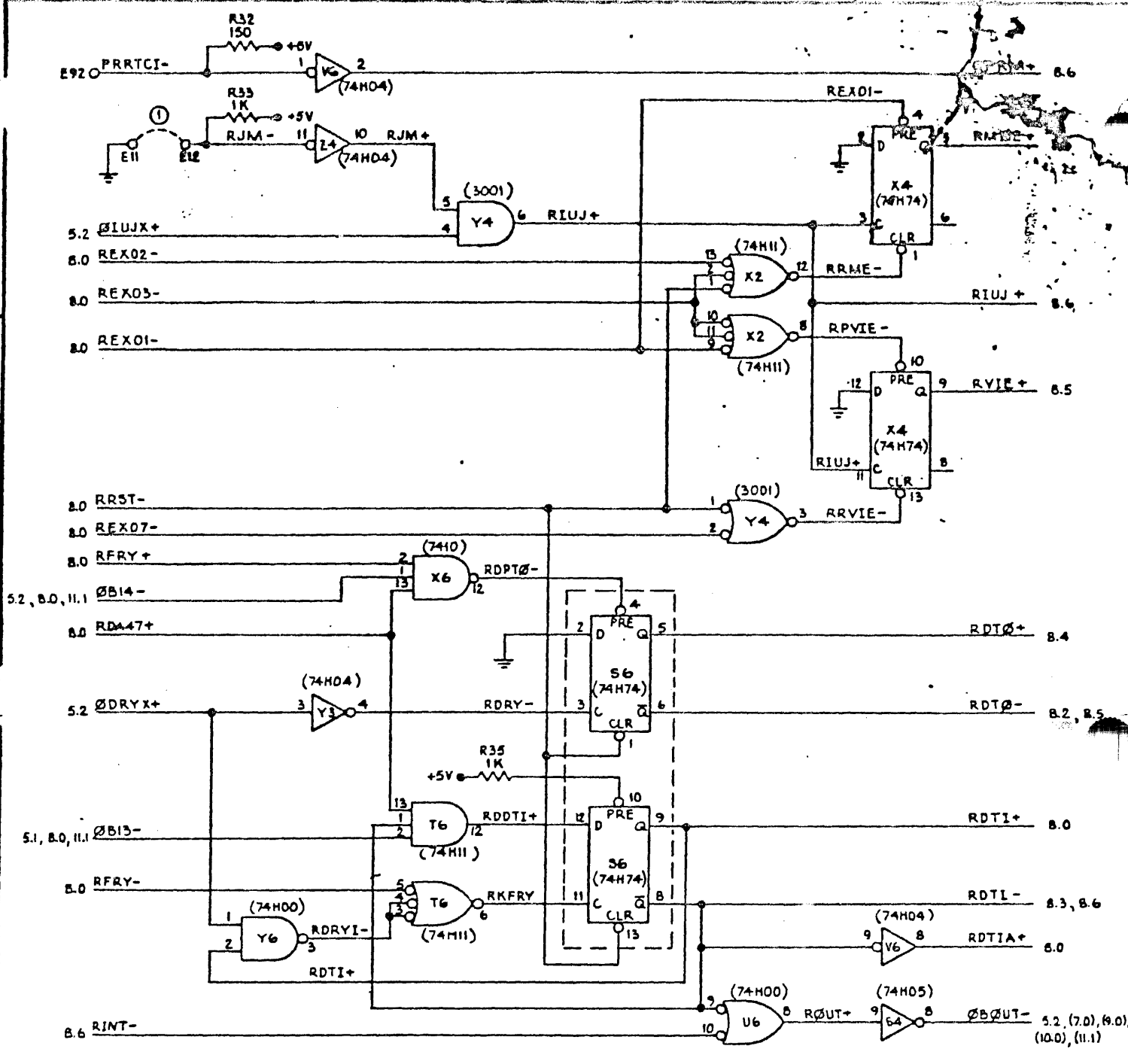
| CHANGE NO. | DATE         | BY       | REV |
|------------|--------------|----------|-----|
| 21101      | C            | W9100401 | BY  |
| SCALE      | SHEET 7.0 OF |          |     |



1. (X.X) = SOURCE SHEET

REAL TIME CLOCK INSTR. DECODE AND CONT. LOGIC

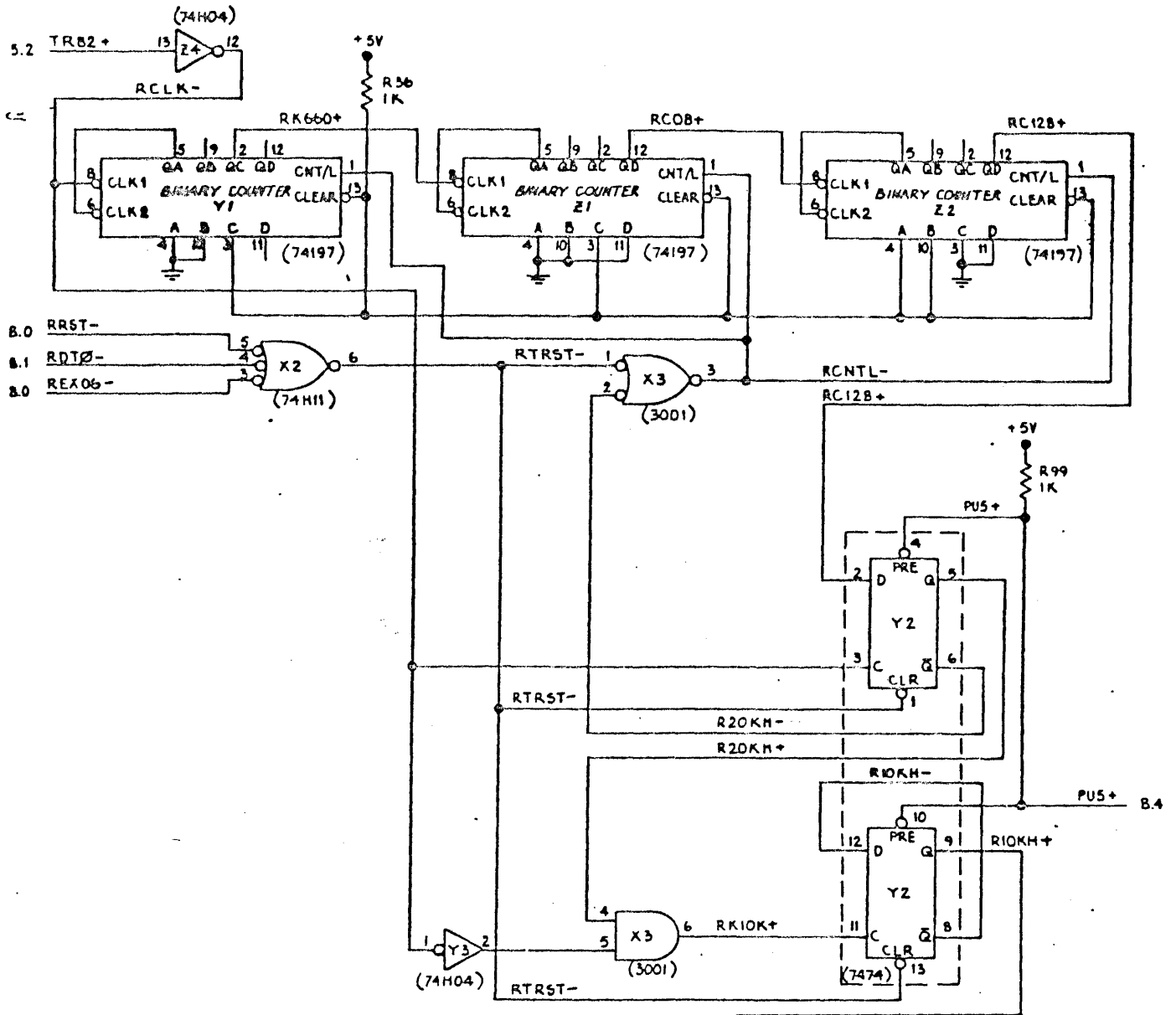
|                 |       |          |              |
|-----------------|-------|----------|--------------|
| CODE REPORT NO. | SCALE | DATE NO. | REV.         |
| 21101           | C     | W9100401 | BY           |
| SCALE           |       |          | REV. SET 8.0 |



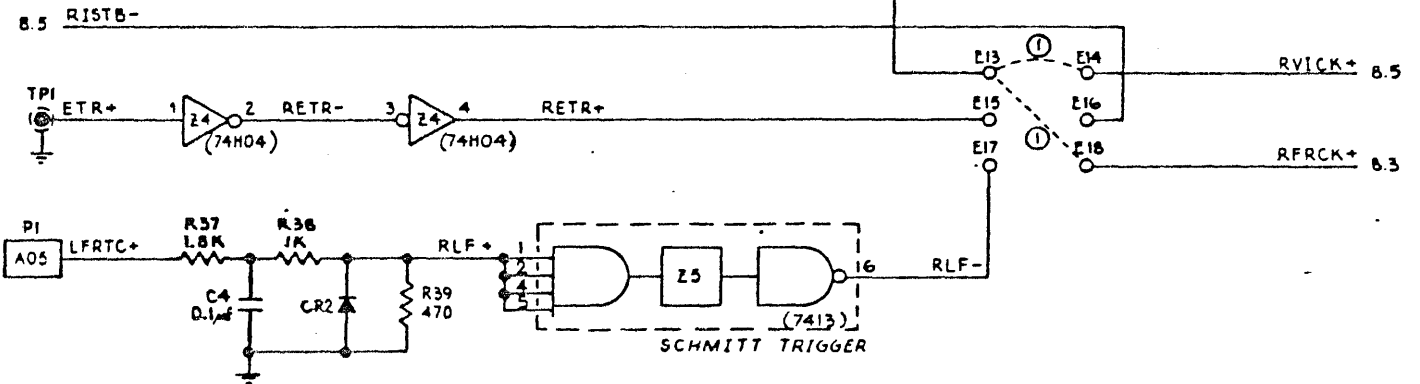
① NOT INSTALLED FOR BASIC OPTION

REAL TIME CLOCK  
INST DECODE AND COUNT LOGIC

|                |     |          |              |
|----------------|-----|----------|--------------|
| CODE IDENT NO. | REV | DATE     | REV          |
| 21101          | C   | W9100401 | B            |
| SCALE          |     |          | SHEET 8.1 OF |



CLOCK COUNTER LOGIC

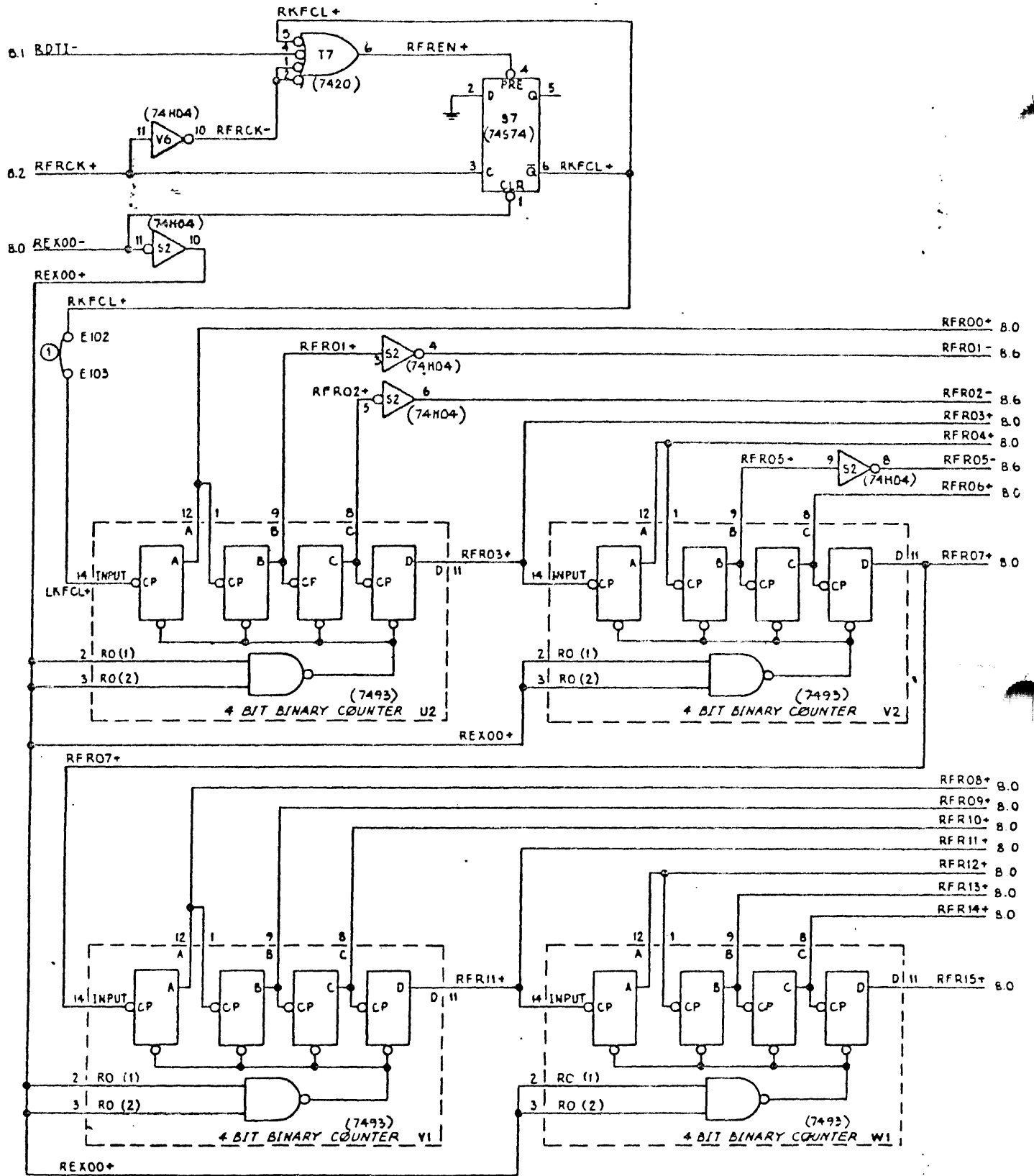


TIMING SOURCE LOGIC

① JUMPING SHOWN IS FOR STANDARD OPTION  
 (10KHZ SOURCE FREQ FOR THE VII  
 AND THE FREE RUNNING COUNTER).

REAL TIME CLOCK

| DOC#  | REV#         | DATE     | BY |
|-------|--------------|----------|----|
| 21101 | C            | W9100401 | B  |
| SCALE | SHEET 8.2 OF |          |    |



① REMOVE JUMPER ONLY FOR TEST  
(JUMPERS INSTALLED AT A65Y)

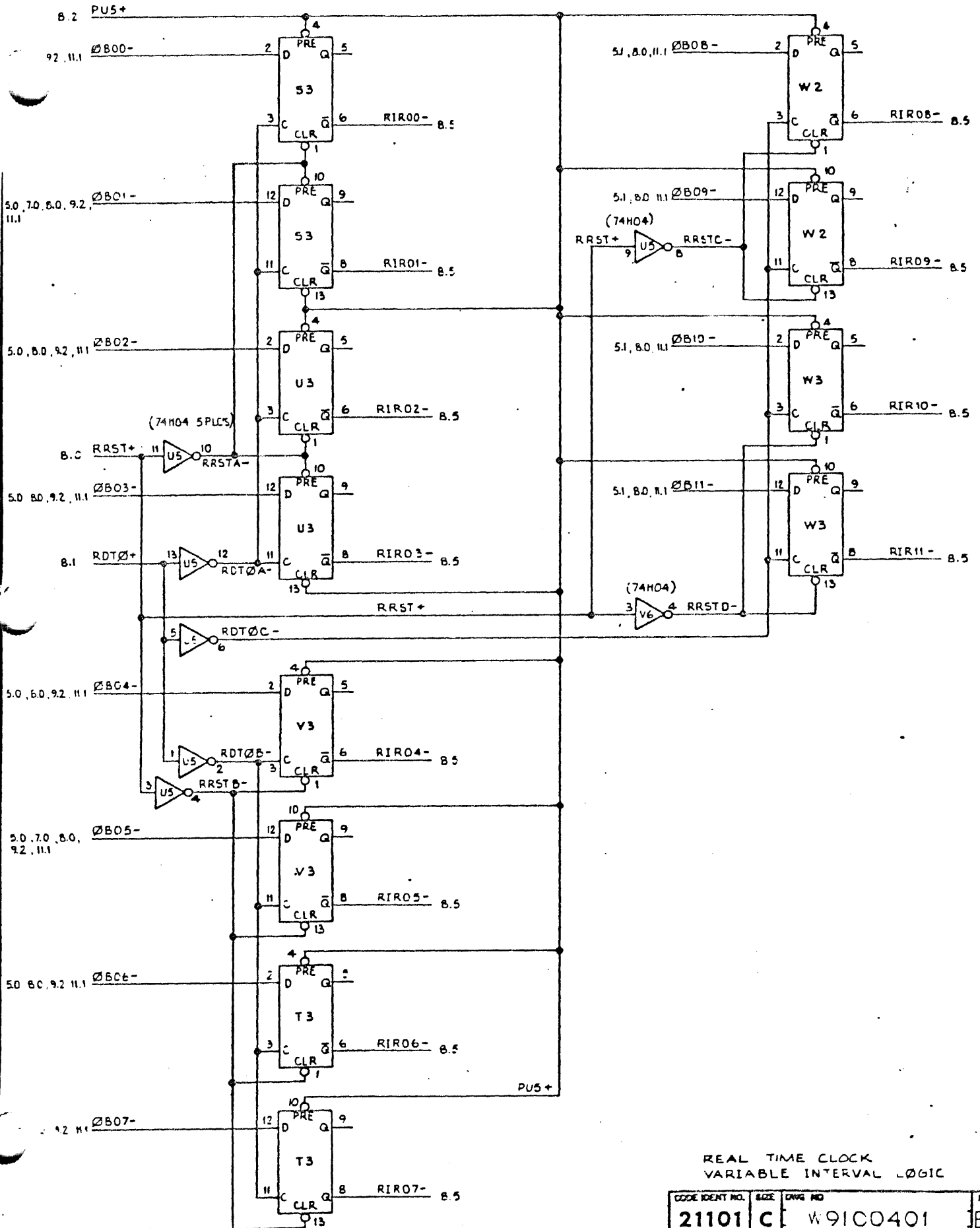
REAL TIME CLOCK  
FREE RUNNING COUNTER

| CODE  | WARRANT | REV. | SIZE | DRWG. NO. | REV.         |
|-------|---------|------|------|-----------|--------------|
| 21101 | C       |      |      | W9100401  | B            |
| SCALE |         |      |      |           | SHEET 8.3 OF |



(7474 BPLC'S)

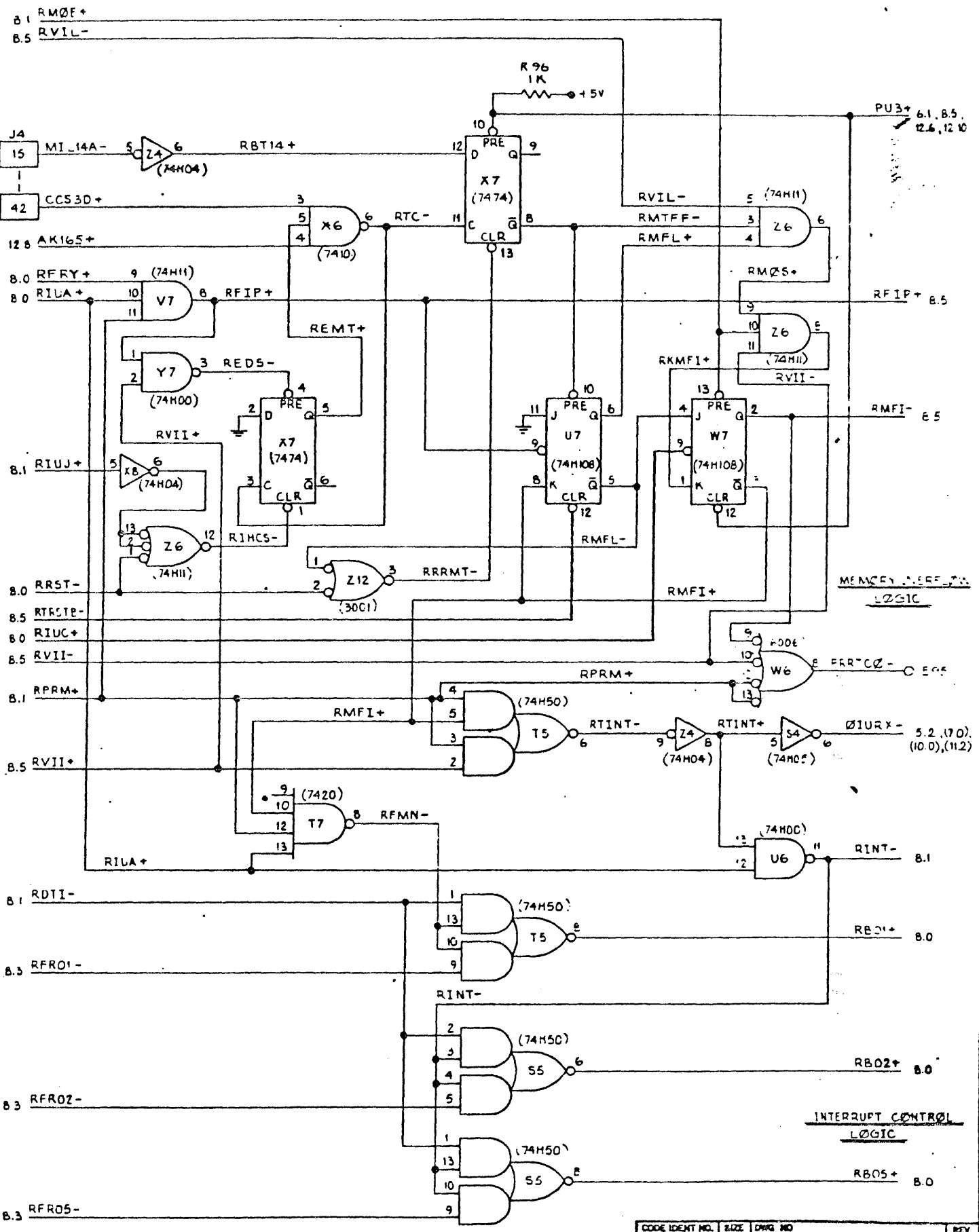
(7474 4 PLC'S)



REAL TIME CLOCK  
VARIABLE INTERVAL LOGIC

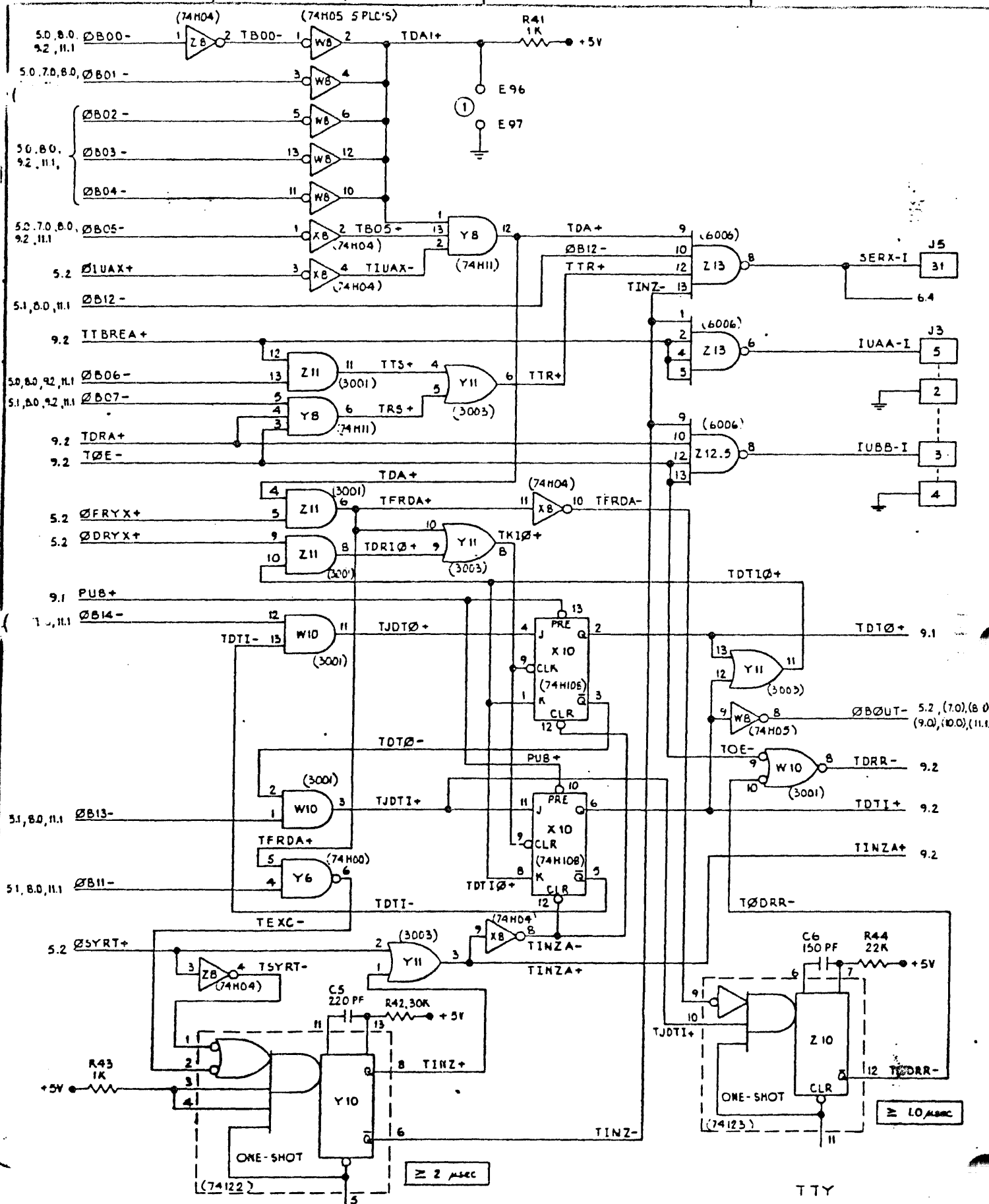
|                |              |          |     |
|----------------|--------------|----------|-----|
| CODE IDENT NO. | SIZE         | DWG NO.  | REV |
| 21101          | C            | W91C0401 | BY  |
| SCALE          | SHEET 8.4 OF |          |     |





REAL TIME CLOCK

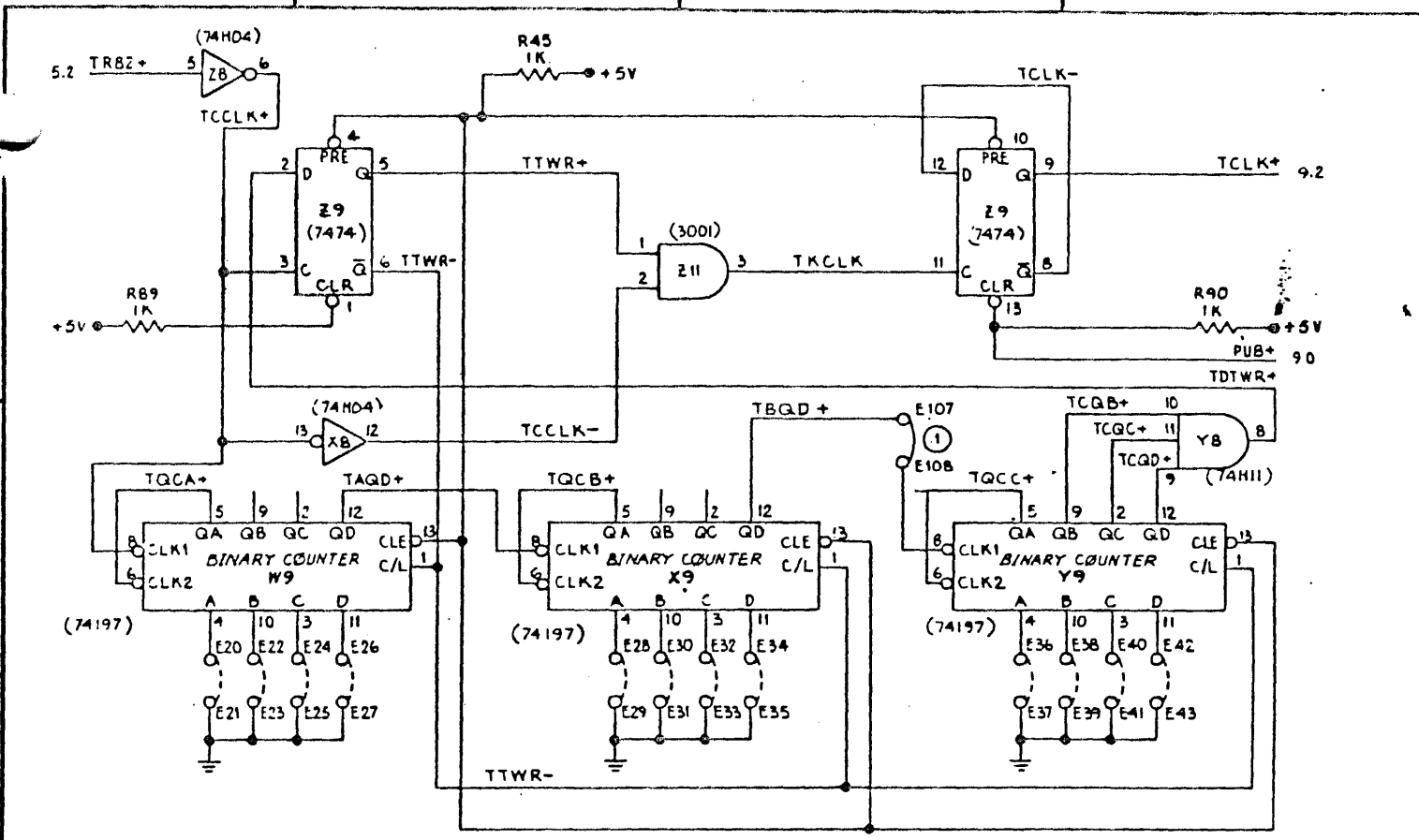
| CODE IDENT NO. | SIZE         | DRWG NO  | REV |
|----------------|--------------|----------|-----|
| 21101          | C            | W9100401 | B   |
| SCALE          | SHEET 8.6 OF |          |     |



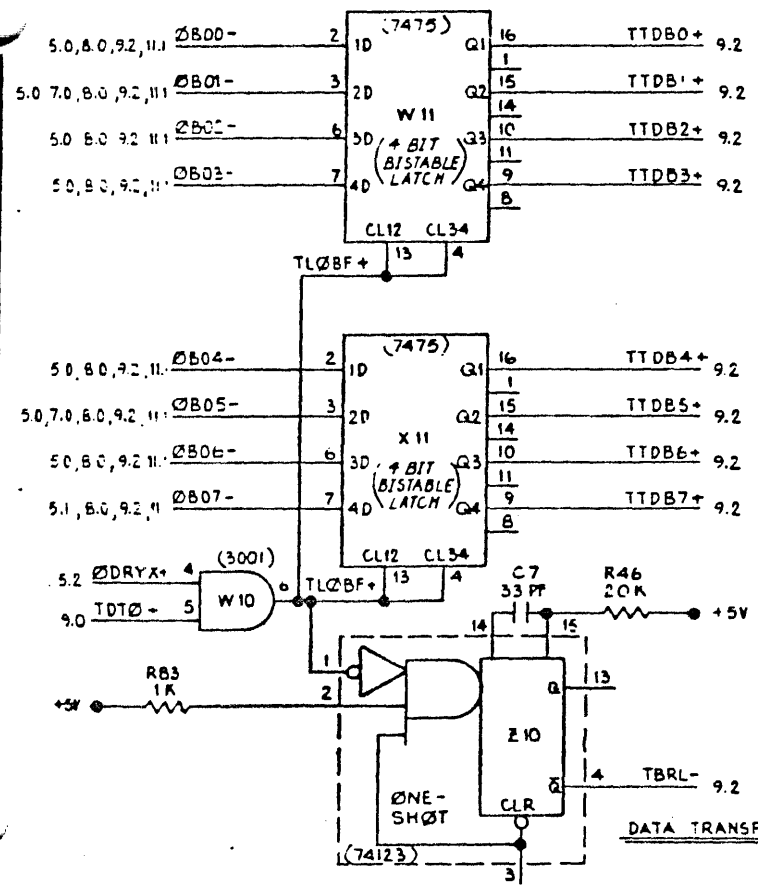
① INSTALL JUMPER TO DISABLE OPTION

TTY  
INST DECODE AND CONTROL LOGIC

|                |      |          |              |
|----------------|------|----------|--------------|
| CODE IDENT NO. | SIZE | DRWG NO  | REV          |
| 21101          | C    | W9100401 | BY           |
| SCALE          |      |          | SHEET 9.0 OF |



CLOCK COUNTER LOGIC

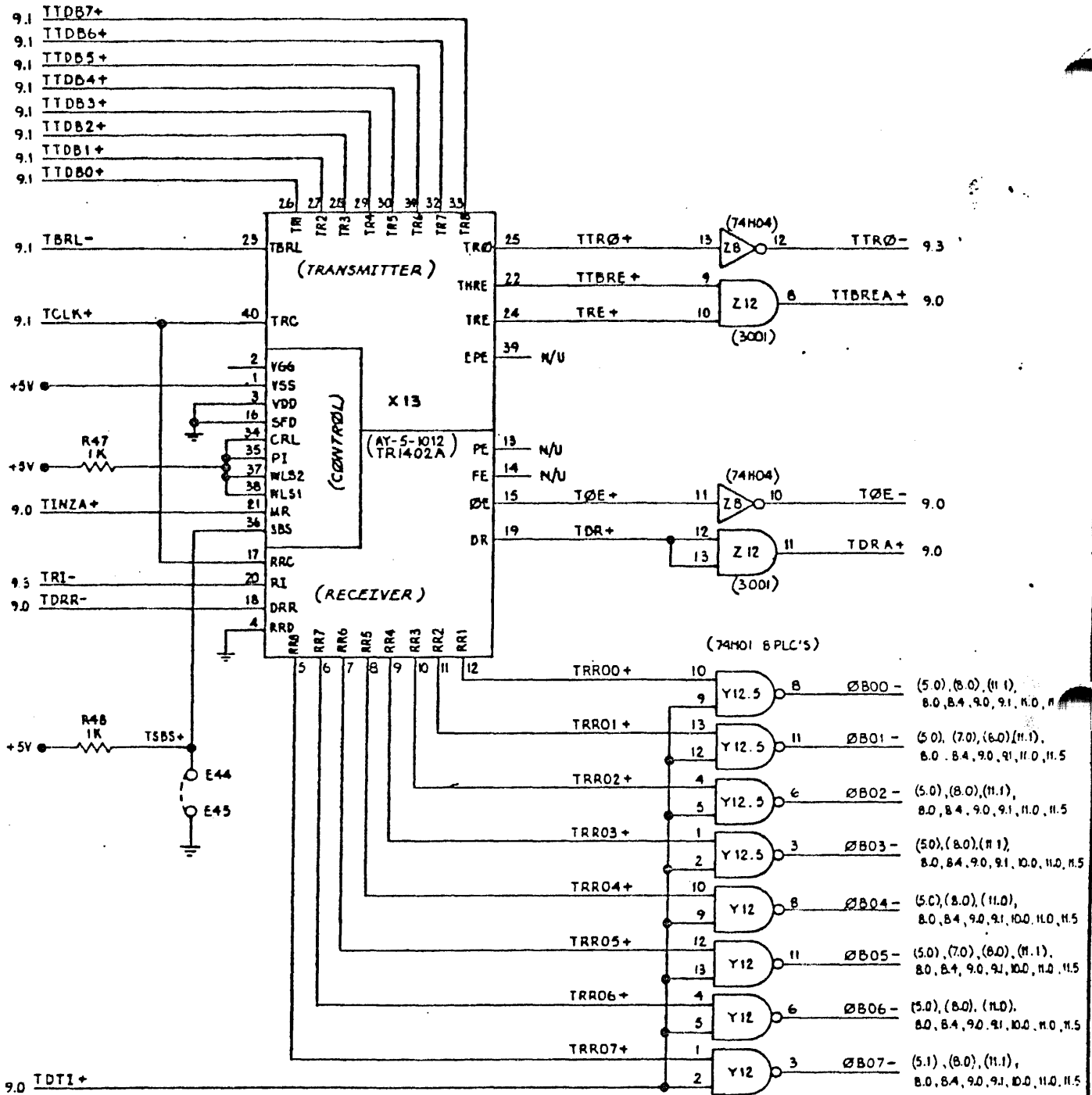


TTY CLOCK JUMPING FOR STANDARD BAUD RATES

| BAUD RATE | E42 | E40 | E38 | E36 | E34 | E32 | E30 | E28 | E26 | E24 | E22 | E20 |
|-----------|-----|-----|-----|-----|-----|-----|-----|-----|-----|-----|-----|-----|
|           | T0  | T0  | T0  | T0  | T0  | T0  | T0  | T0  | T0  | T0  | T0  | T0  |
| 110       | X   | X   | X   | X   |     | X   | X   | X   |     | X   |     | X   |
| 150       | X   |     | X   | X   | X   | X   |     | X   | X   | X   | X   |     |
| 300       |     | X   | X   |     | X   | X   | X   | X   |     |     |     |     |
| 1200      |     |     | X   | X   |     |     | X   | X   | X   | X   |     | X   |
| 2400      |     |     | X   |     | X   |     |     | X   | X   | X   |     |     |
| 4800      |     |     | X   |     |     | X   |     |     | X   | X   | X   |     |
| 9600      |     |     | X   |     |     |     | X   |     |     | X   | X   |     |

- ② INSTALL 110 BAUD RATE JUMPERS IN BASIC SYSTEM
- ① REMOVE JUMPER ONLY FOR TEST.  
(JUMPER INSTALLED AT ASSY)

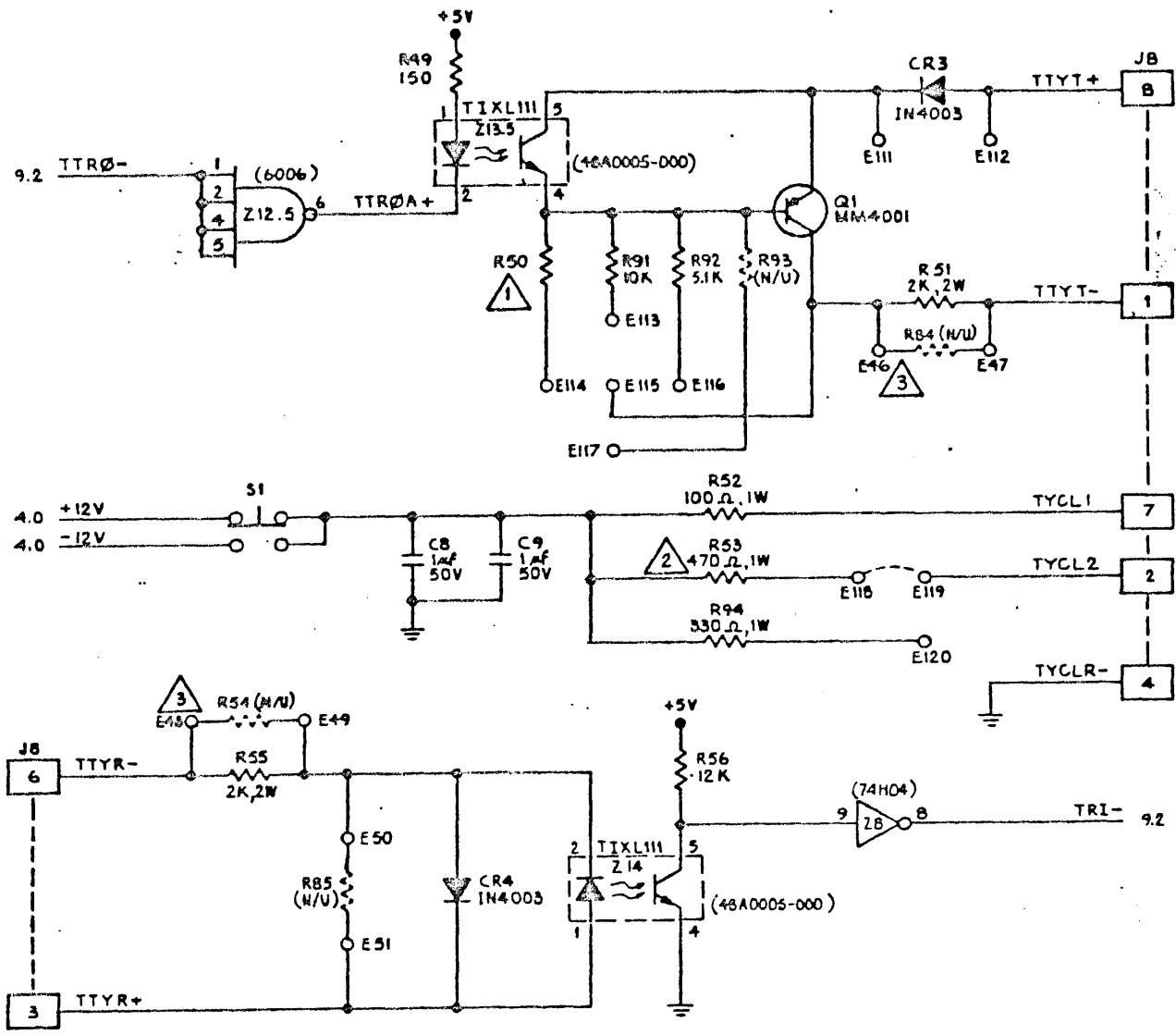
ASYNCHRONOUS TRANSMITTER / RECEIVER I.C.



NOTE: 1. (X.X) = SOURCE SHEET

TTY  
MOS - TRANSMITTER/RECEIVER LOGIC

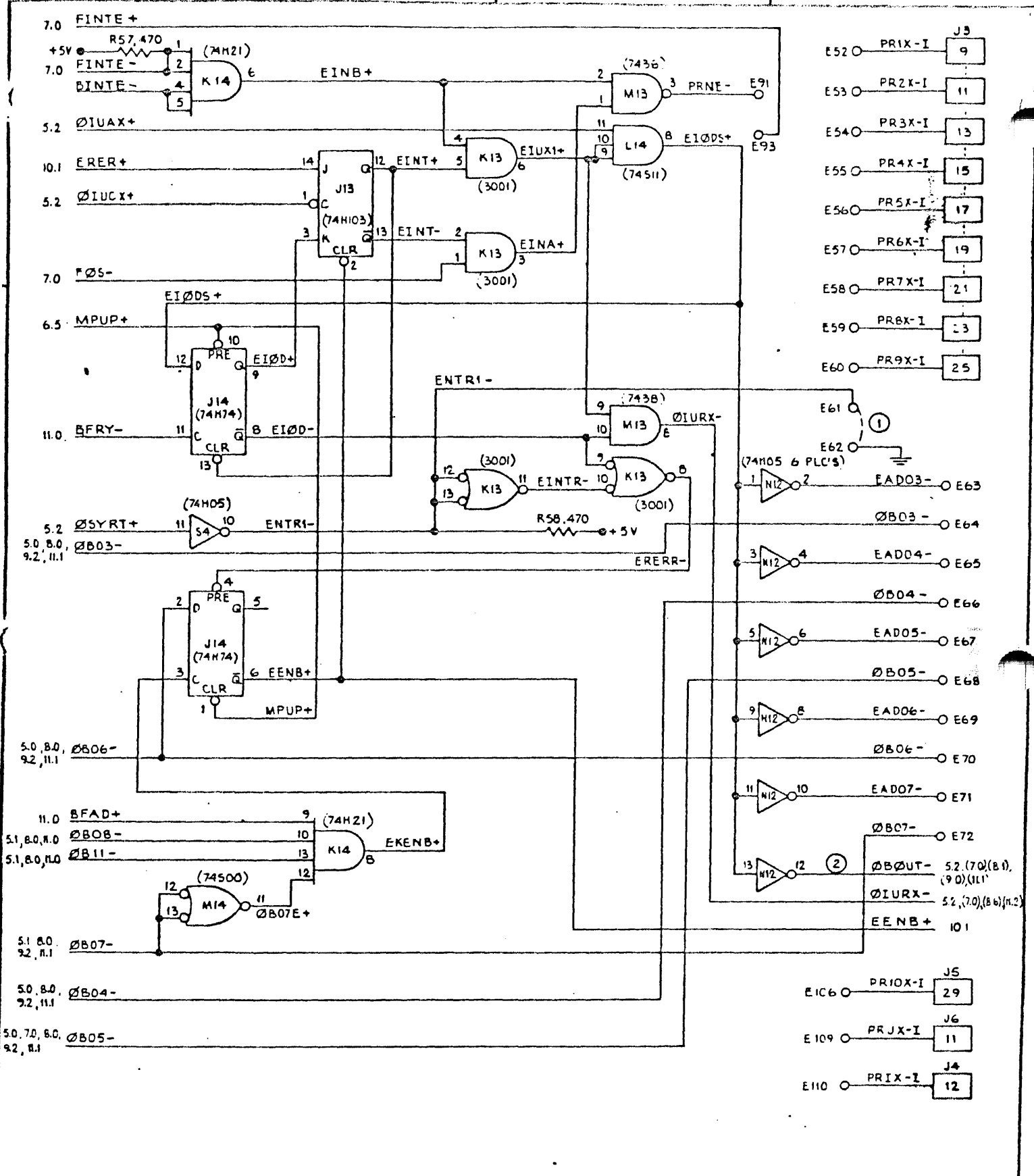
|                |      |          |              |
|----------------|------|----------|--------------|
| CODE IDENT NO. | SIZE | DRWG NO. | REV          |
| 21101          | C    | W9100401 | B            |
| SCALE          |      |          | SHEET 9.2 OF |



- △ 3 FØR -003 E46 IS JUMPERED TØ E47 AND E48 JUMPERED TØ E49
- △ 2 FØR -000,-001 AND -002 R53 IS 470 Ω, 1W FØR -003 R53 IS 330 Ω, 1W
- △ 1 FØR -000,-001 AND -002 R50 IS 51 K FØR -003 R50 IS 10K

TTY  
TELETYPE INTERFACE BLOCCK

|                |              |          |     |
|----------------|--------------|----------|-----|
| CODE IDENT NO. | SIZE         | DRWG NO  | REV |
| 21101          | C            | W9100401 | BY  |
| SCALE          | SHEET 9.3 OF |          |     |

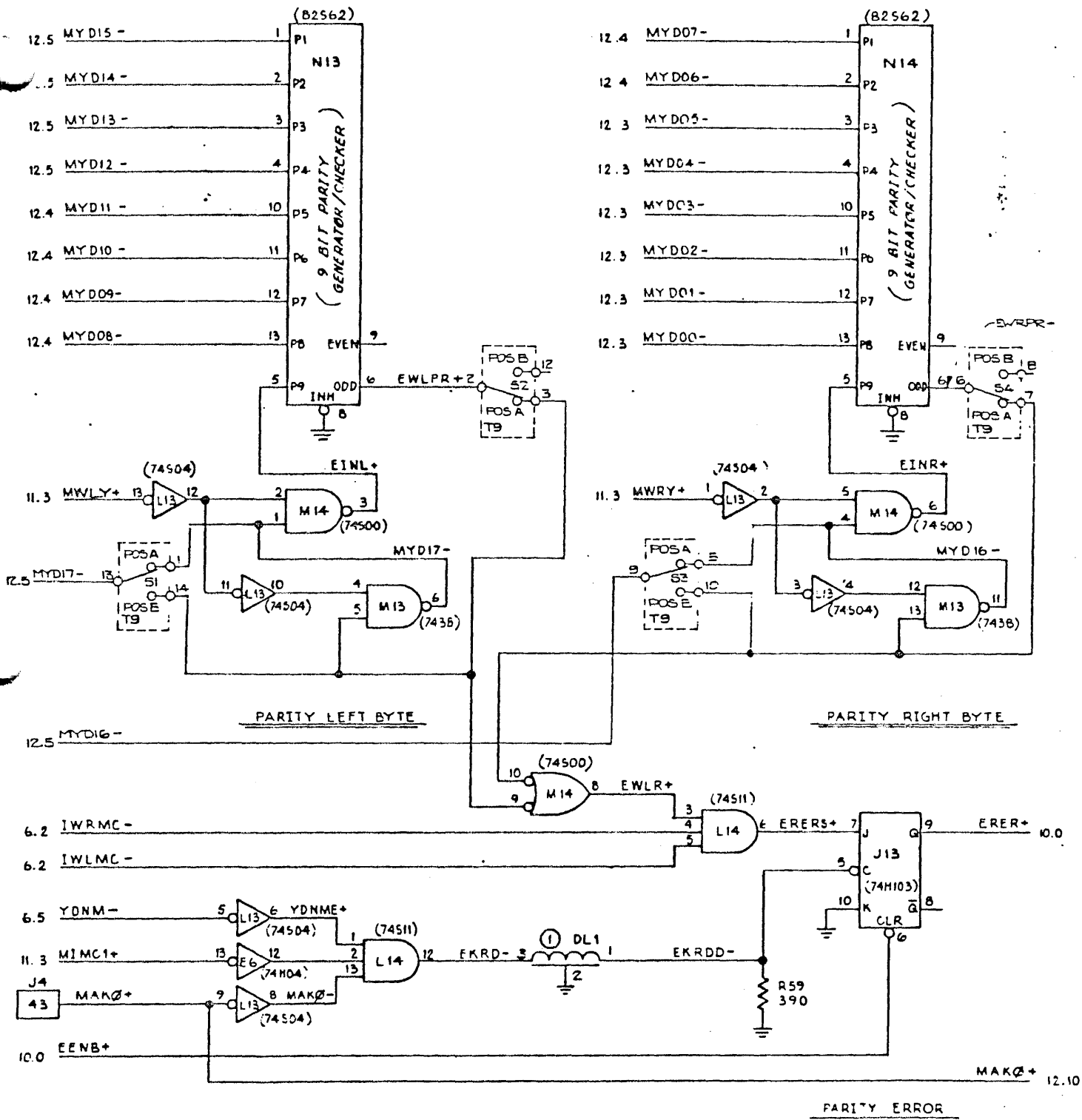


- ② INTERRUPT ADDRESS PATCHES
- ① JUMPERING E61 TO E62 DISABLE PARITY OPTION

PARITY  
PARITY DEV. ADD & INTERRUPT

| CODE IDENT NO. | SIZE | DWG NO.  | REV           |
|----------------|------|----------|---------------|
| 21101          | C    | W9100401 | B             |
| SCALE          |      |          | SHEET 10.0 OF |



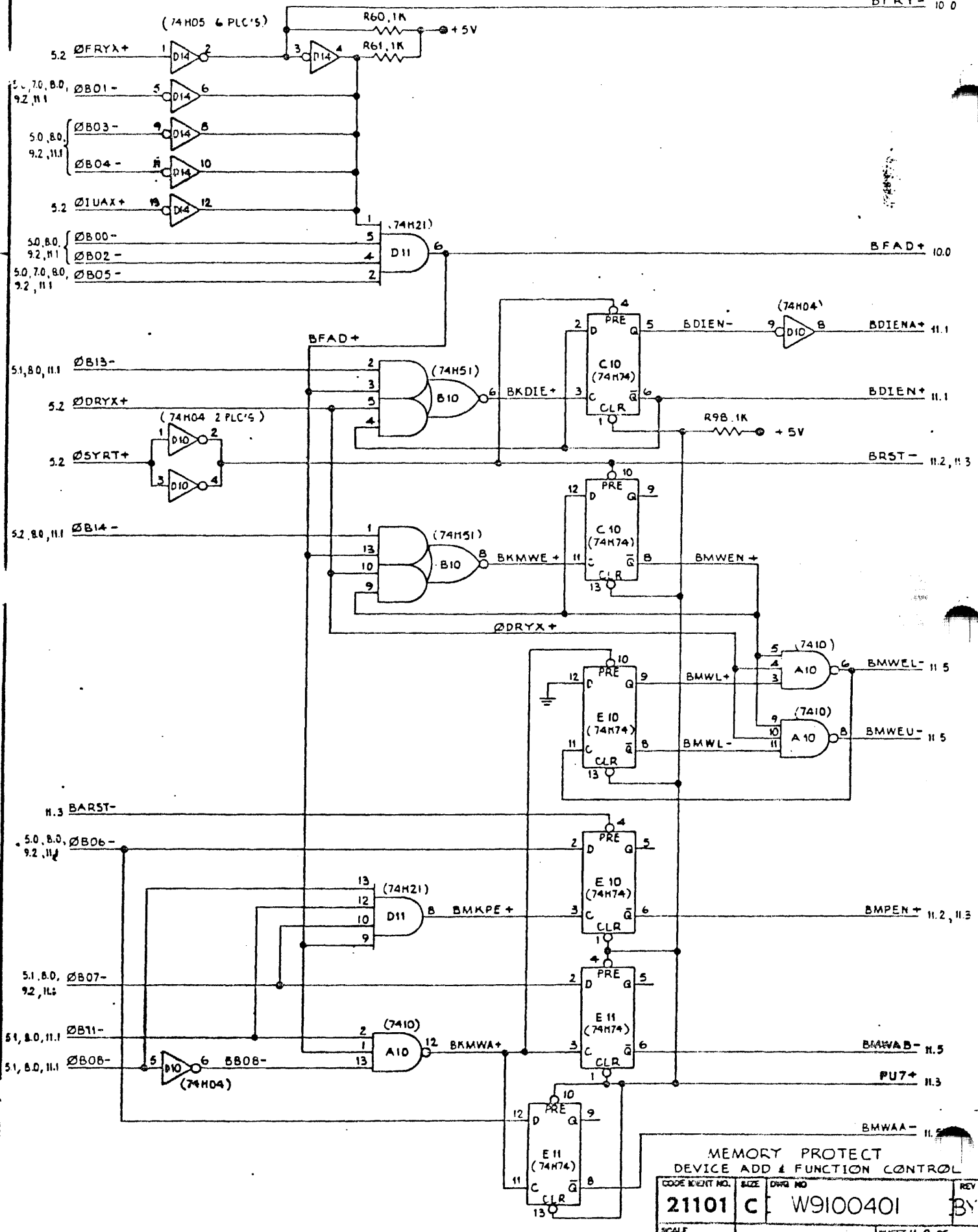


NOTE: SWITCH T9 SHOWN IN NON ERROR CORRECT POSITION.

PARITY

① P/N 80A1000-004 30 n.s. DELAY LINE

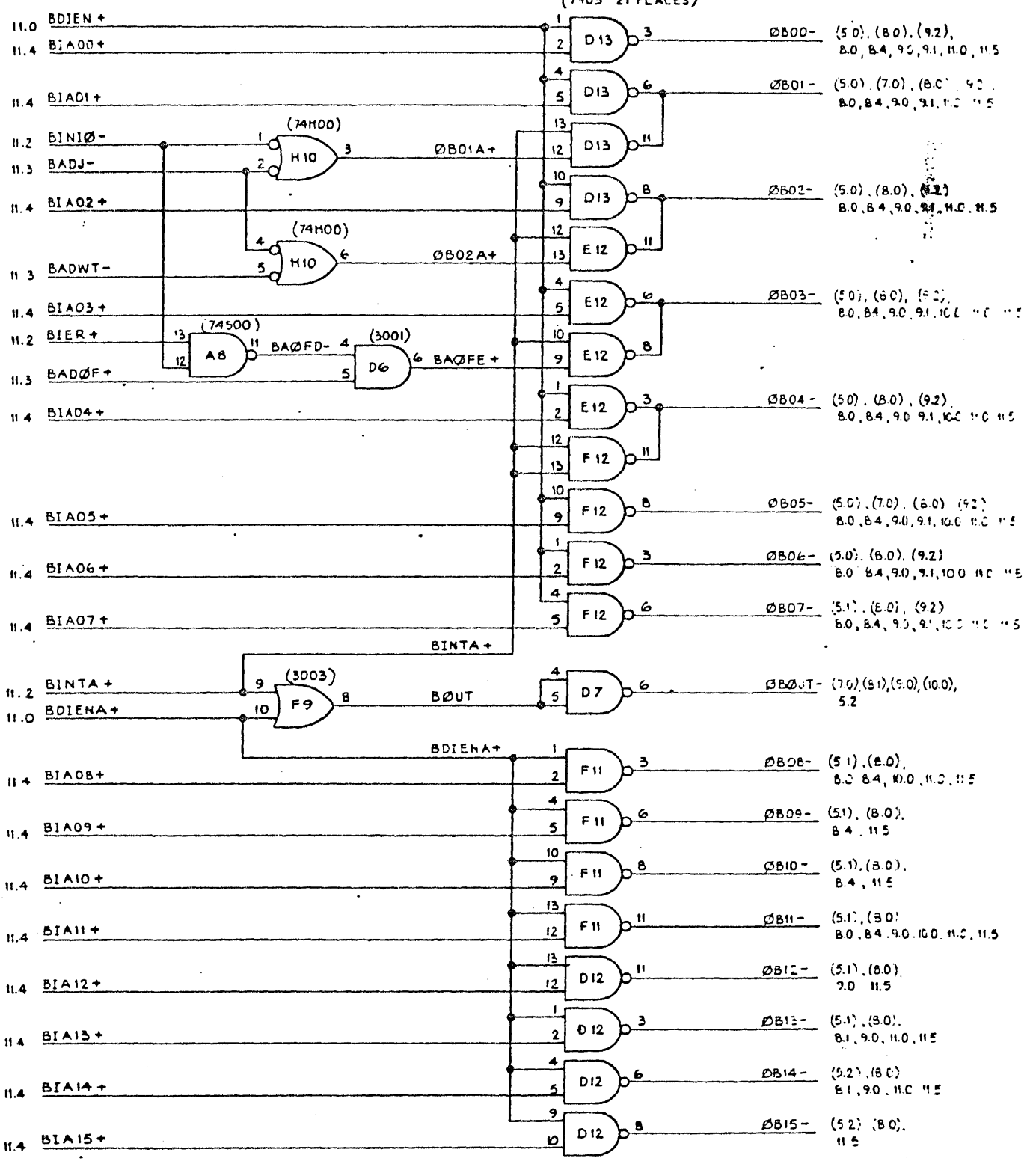
|                |               |          |     |
|----------------|---------------|----------|-----|
| CODE IDENT NO. | SIZE          | DRWG NO. | REV |
| 21101          | C             | W9100401 | BY  |
| SCALE          | SHEET 10.1 OF |          |     |



MEMORY PROTECT  
DEVICE ADD & FUNCTION CONTROL

|                |      |               |     |
|----------------|------|---------------|-----|
| CODE IDENT NO. | SIZE | DWG NO        | REV |
| 21101          | C    | W9100401      | BY  |
| SCALE          |      | SHEET 11.0 OF |     |

(7403 21 PLACES)

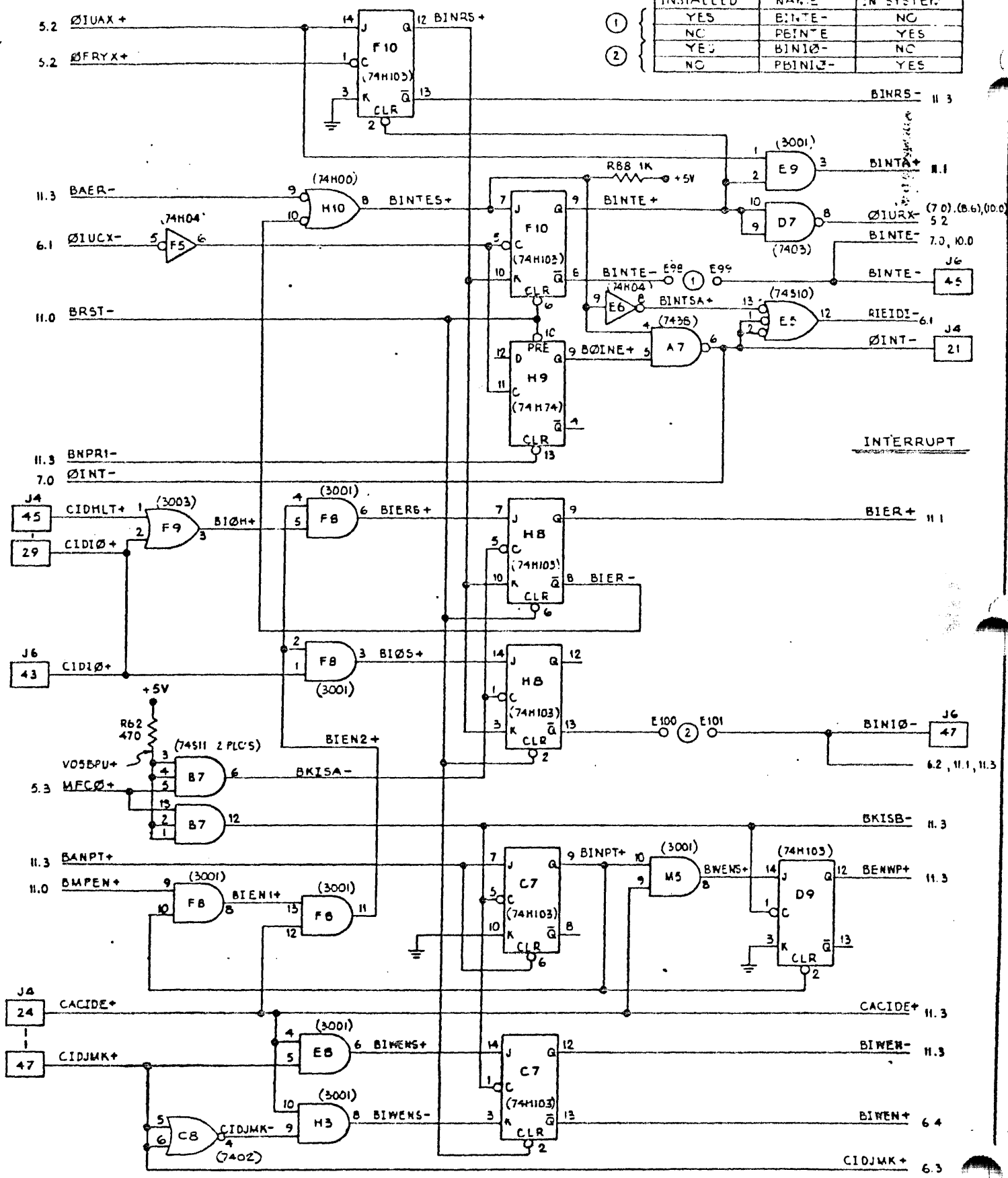


NOTE 1. (X.X) = SOURCE SHEET

MEMORY PROTECT I/O BUS DRIVERS

| CODE IDENT NO. | SIZE          | DWG NO   | REV |
|----------------|---------------|----------|-----|
| 21101          | C             | W9100401 | BY  |
| SCALE          | SHEET 11.1 OF |          |     |

| JUMPER CLIP INSTALLED | SIGNAL NAME | MEMORY MAP IN SYSTEM |
|-----------------------|-------------|----------------------|
| YES                   | BINTE-      | NO                   |
| NO                    | PBINTE      | YES                  |
| YES                   | BINIØ-      | NO                   |
| NO                    | PBINIØ-     | YES                  |

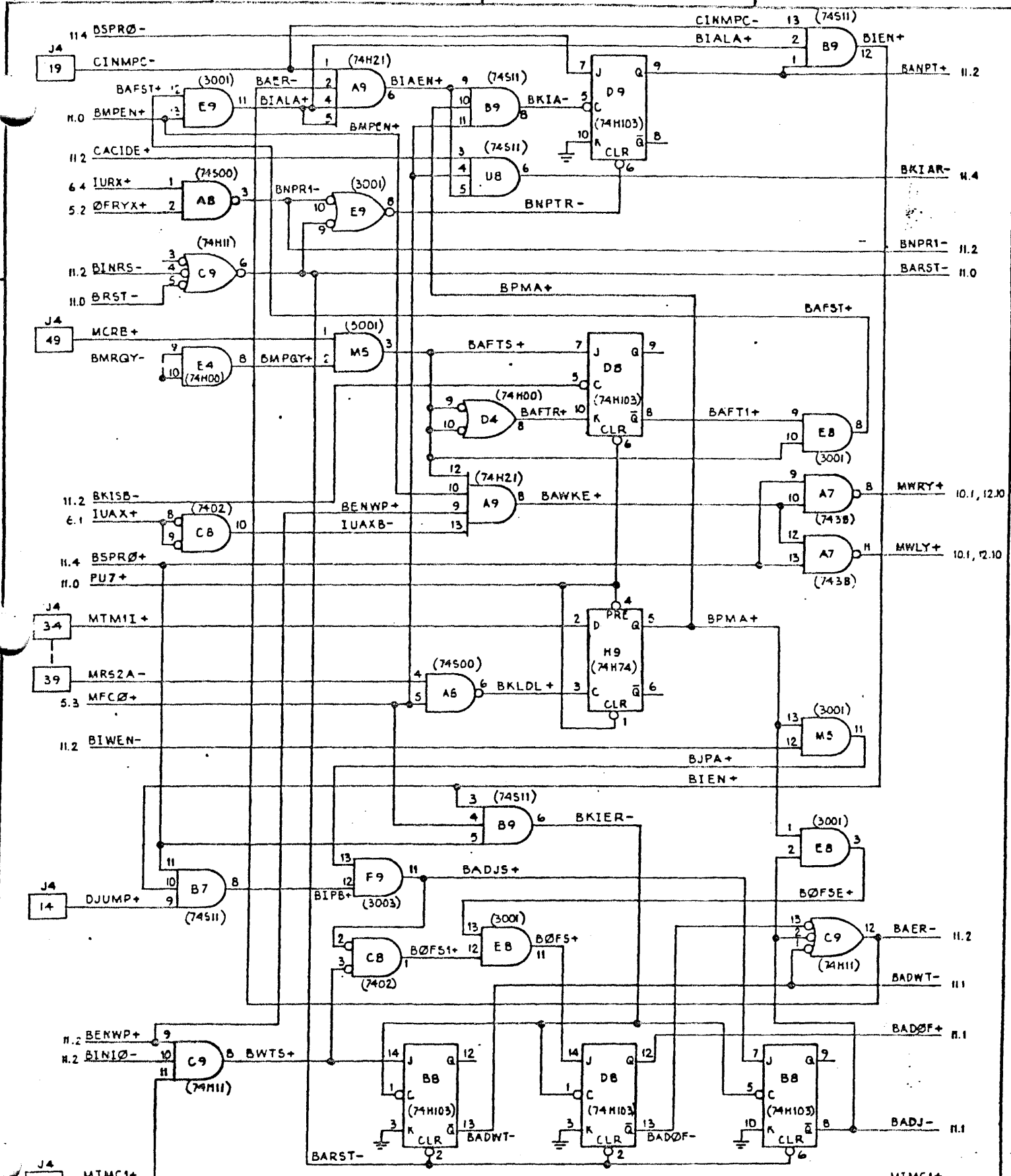


INTERRUPT

MEMORY PROTECT

MP INSTRUCTION SEQUENC

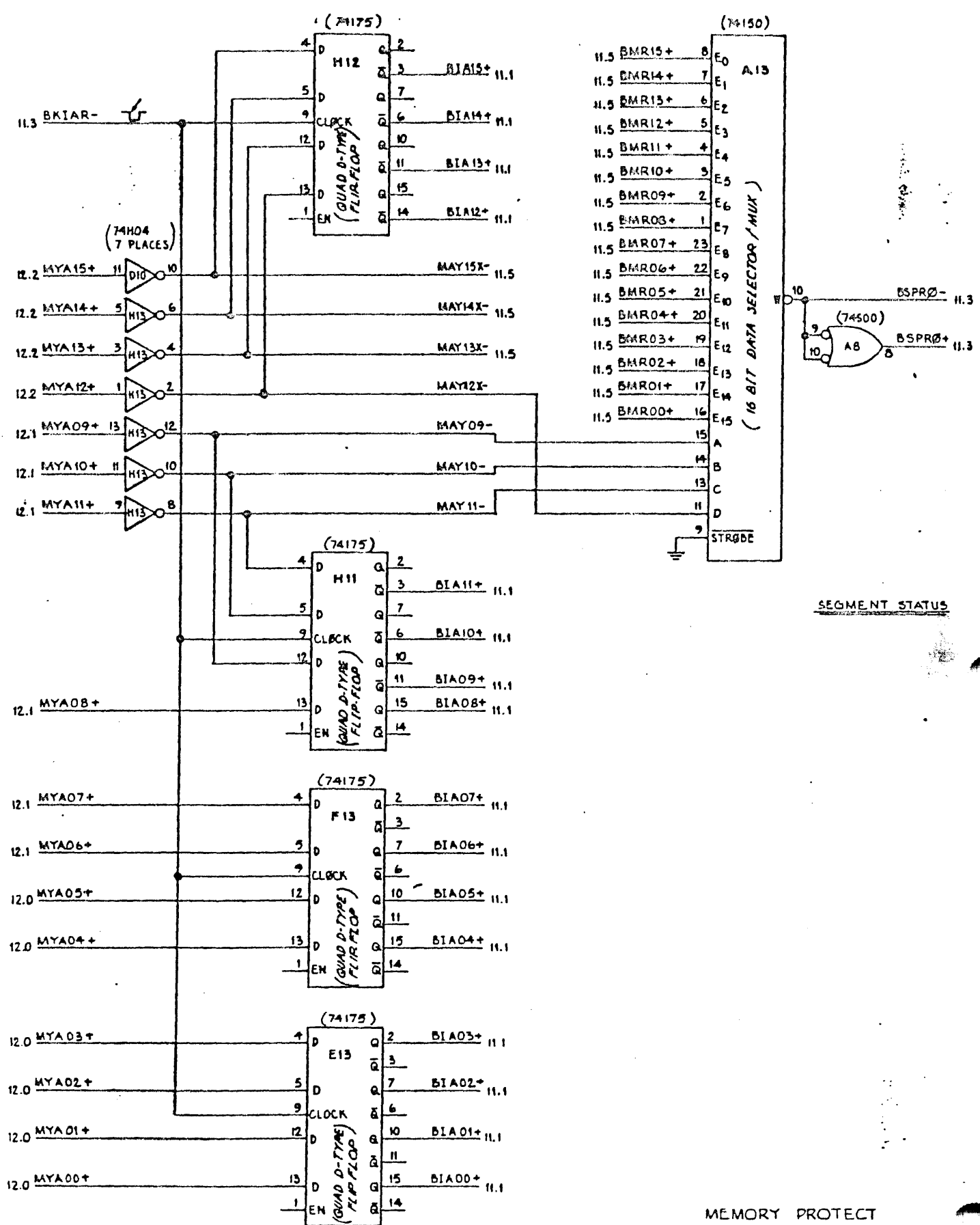
|                |      |          |               |
|----------------|------|----------|---------------|
| CODE IDENT NO. | SIZE | DATA NO. | REV           |
| 21101          | C    | W9100401 | BY            |
| SCALE          |      |          | SHEET 11.2 OF |



MEMORY PROTECT ADDRESS SEQUENCER

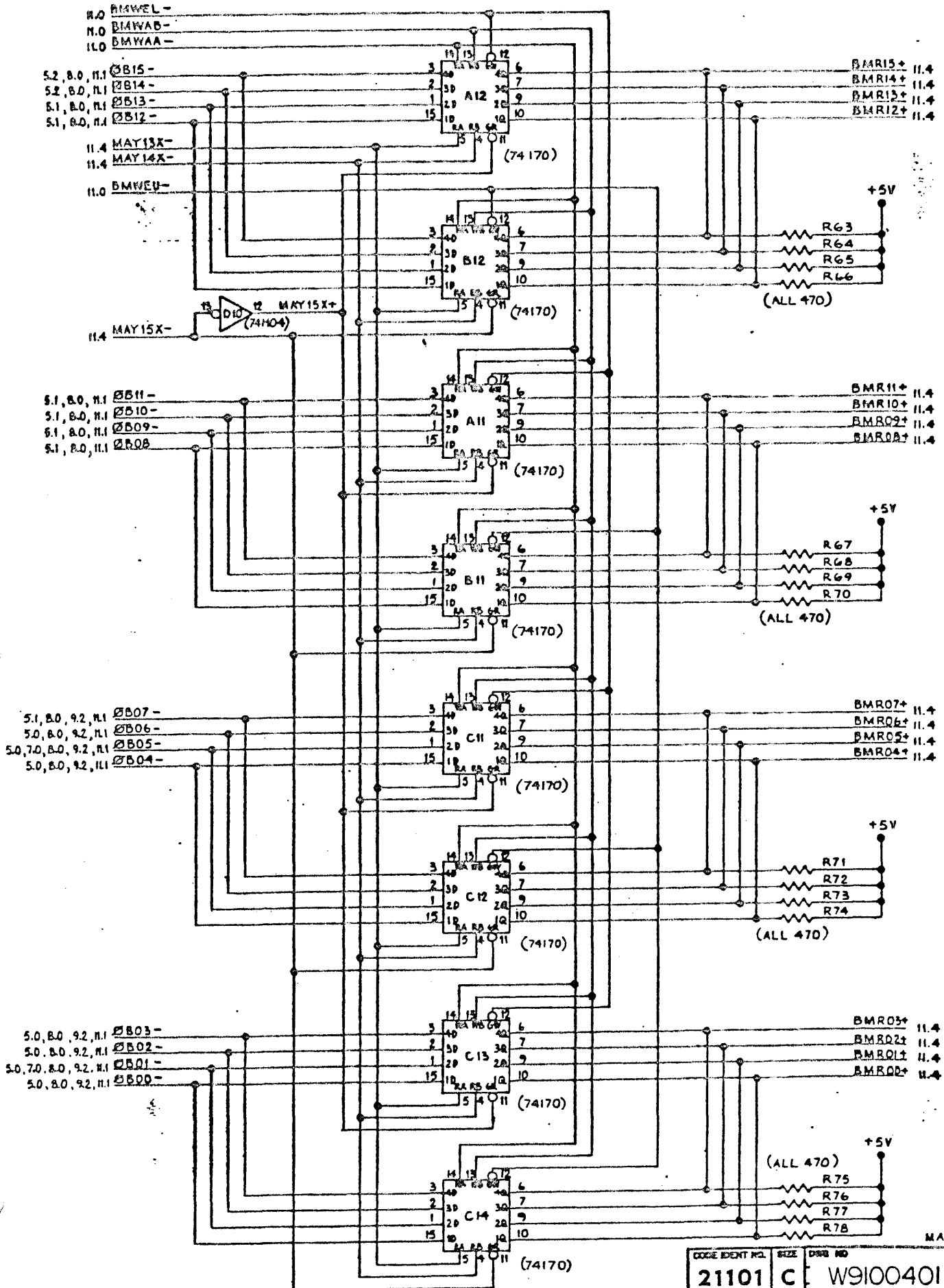
|                |      |          |               |
|----------------|------|----------|---------------|
| CODE IDENT NO. | SIZE | DRG NO.  | REV           |
| 21101          | C    | W9100401 | BY            |
| SCALE          |      |          | SHEET 11.3 OF |

879 PENDING... ELECTRONIC BOARD



INSTRUCTION ADDRESS REGISTER

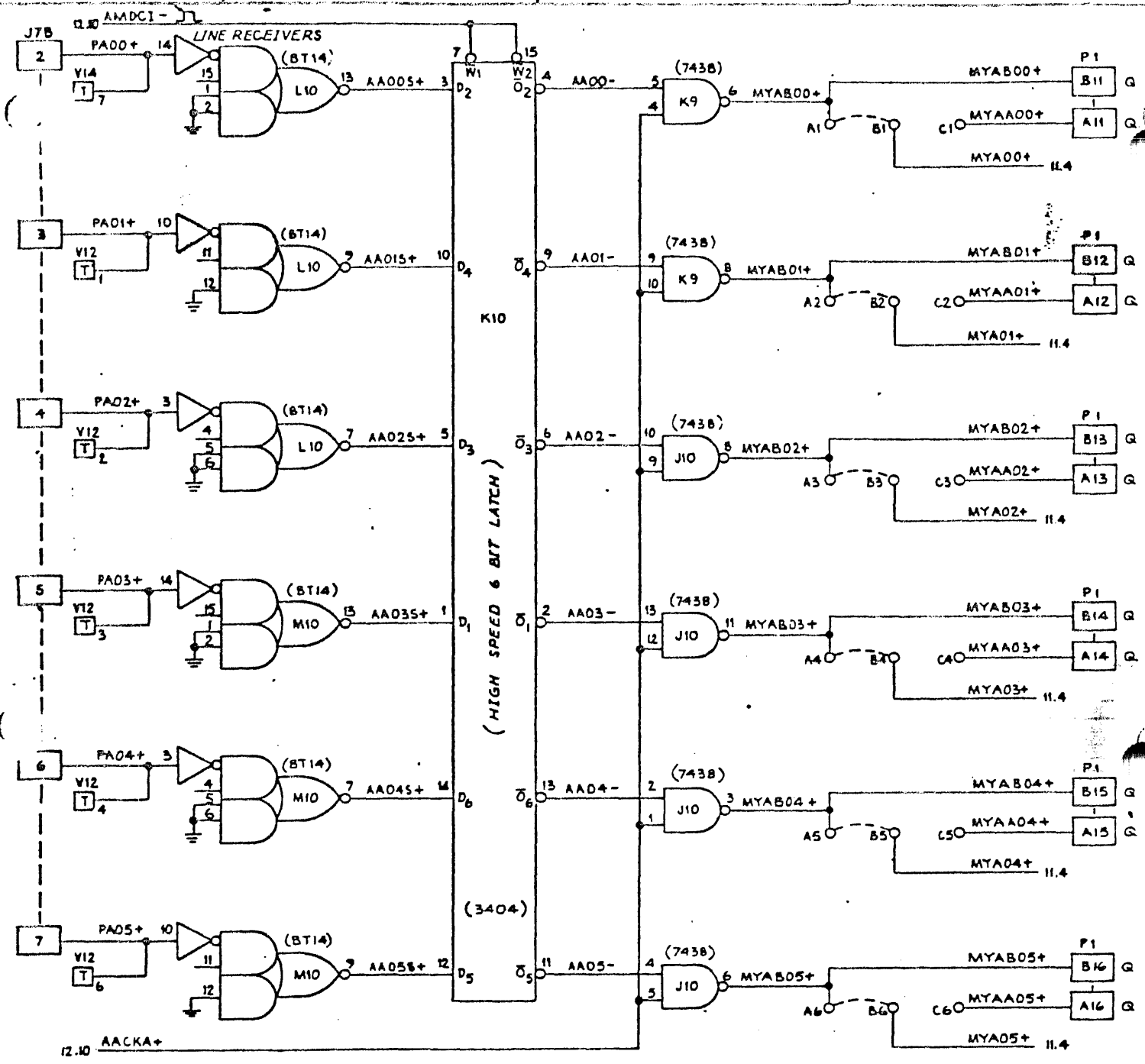
|                |               |          |     |
|----------------|---------------|----------|-----|
| CODE IDENT NO. | SIZE          | DWG NO   | REV |
| 21101          | C             | W9100401 | BY  |
| SCALE          | SHEET 11.4 OF |          |     |



MEMORY PROTECT

MASK REGISTER

|       |      |               |
|-------|------|---------------|
| DOC#  | REV# | REV           |
| 21101 | C    | BY            |
| SCALE | DATE | SHEET 11.5 OF |

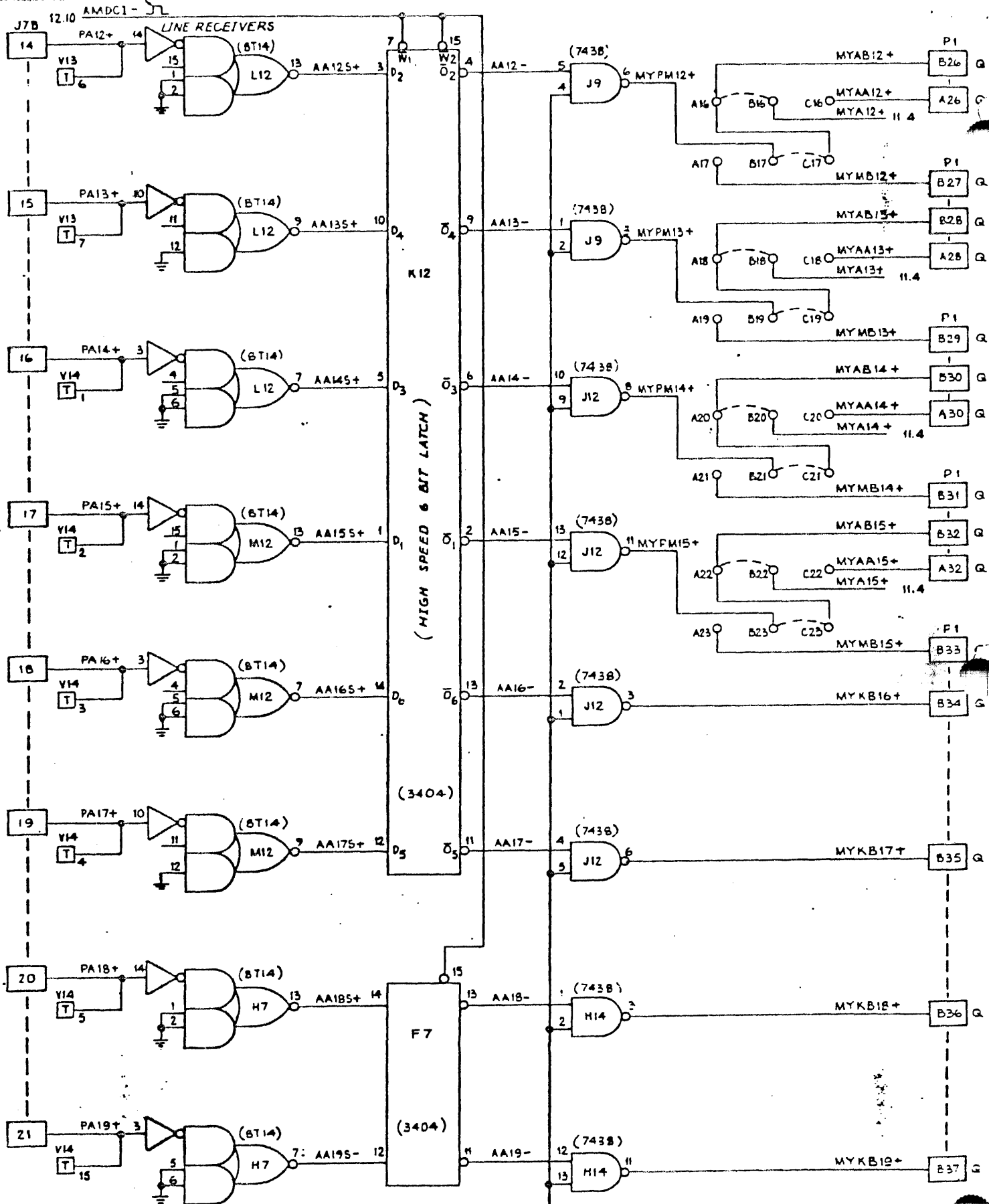


PMA - ADDRESS BUFFER

|                |             |          |     |
|----------------|-------------|----------|-----|
| CODE IDENT NO. | SIZE        | DWG NO.  | REV |
| 21101          | C           | W9100401 | BY  |
| SCALE          | SHEET 12 OF |          |     |



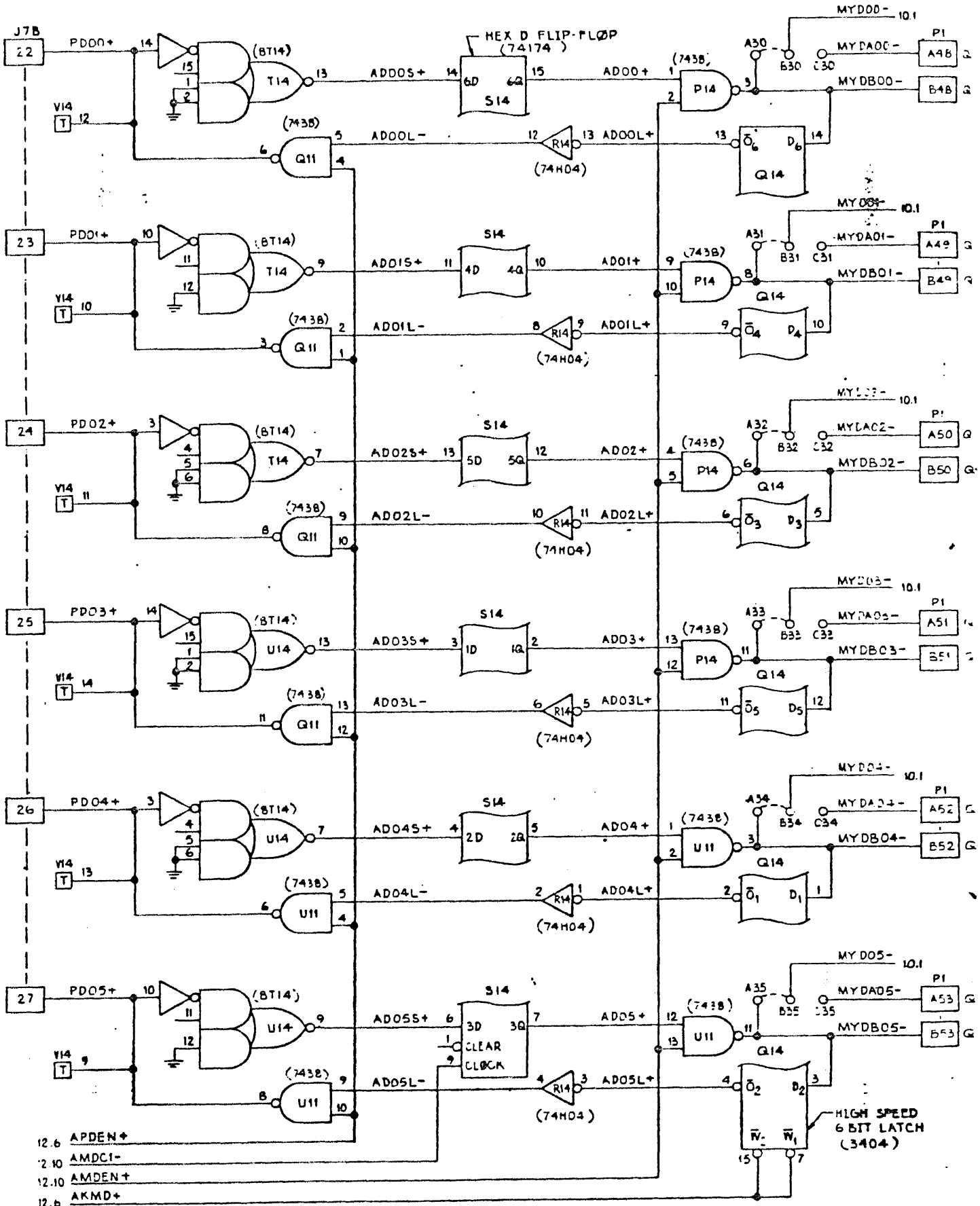




12.10 AACKA+

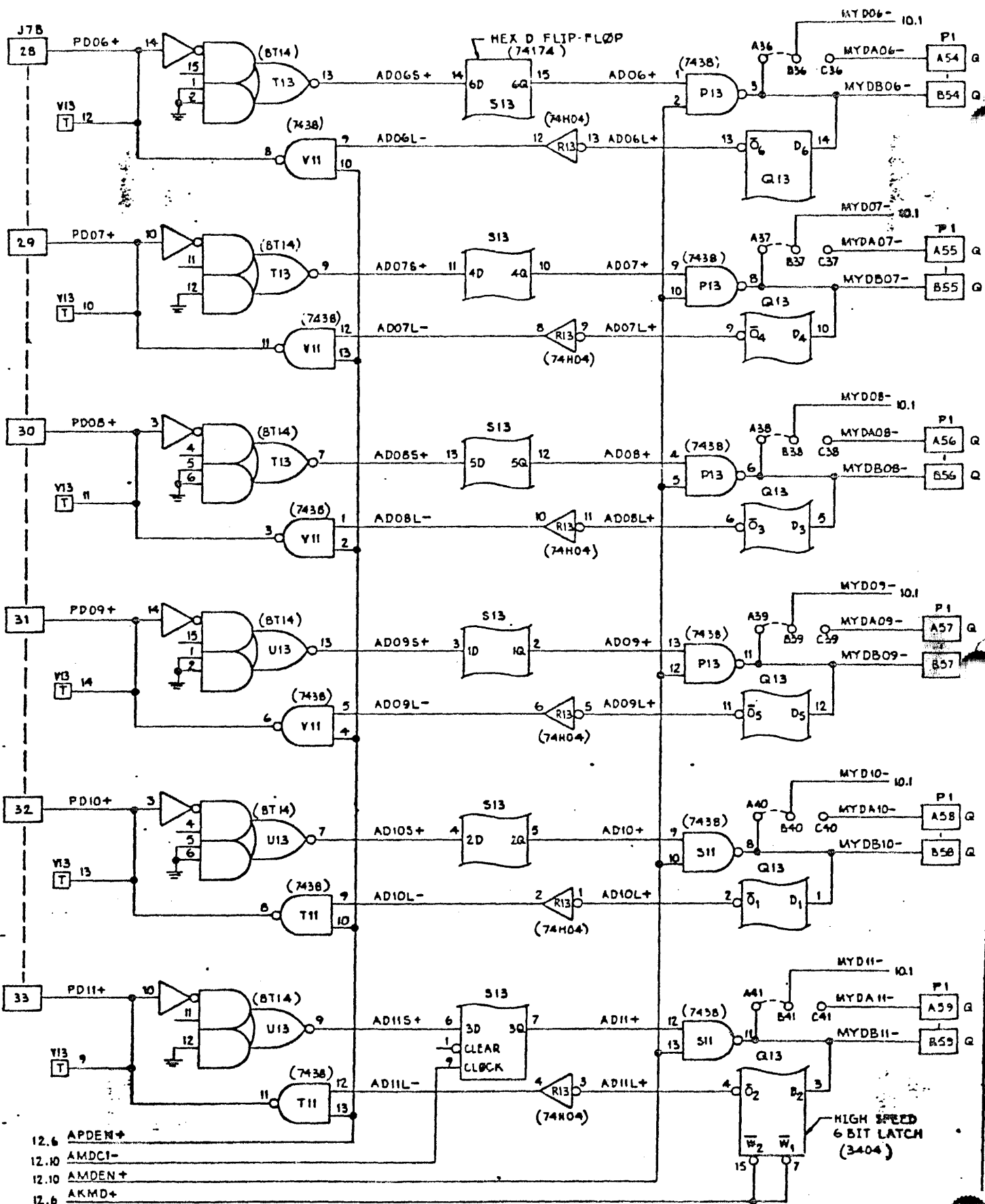
PMA - ADDRESS BUFFER

| CODE IDENT NO. | SIZE          | DATE NO. | REV |
|----------------|---------------|----------|-----|
| 21101          | C             | W9100401 | BY  |
| SCALE          | SHEET 12.2 OF |          |     |



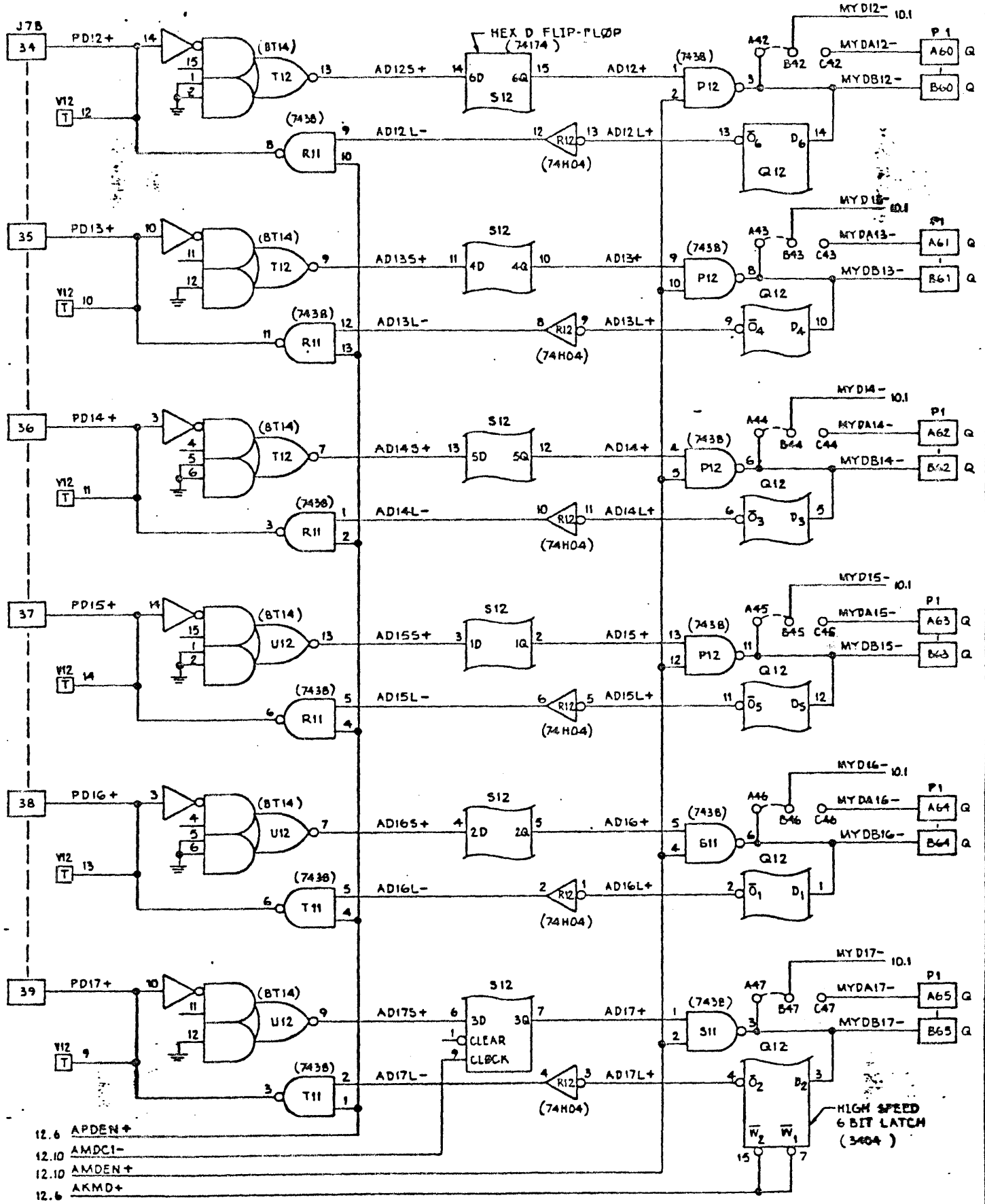
PMA - DATA BUFFER

|                |               |          |     |
|----------------|---------------|----------|-----|
| CODE IDENT NO. | SIZE          | DRWG NO. | REV |
| 21101          | C             | W9100401 | B   |
| SCALE          | SHEET 12.3 OF |          |     |



PMA - DATA BUFFER

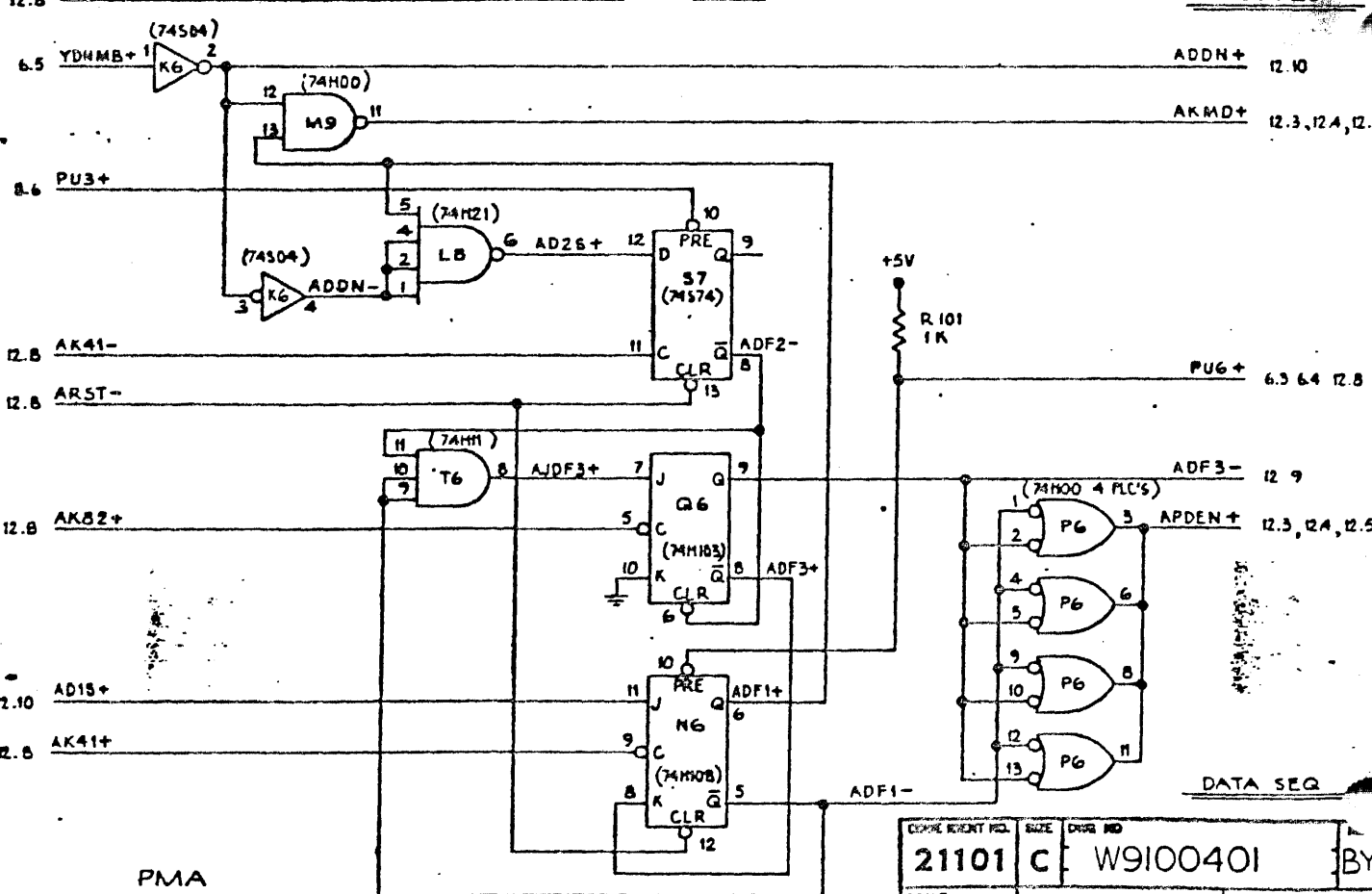
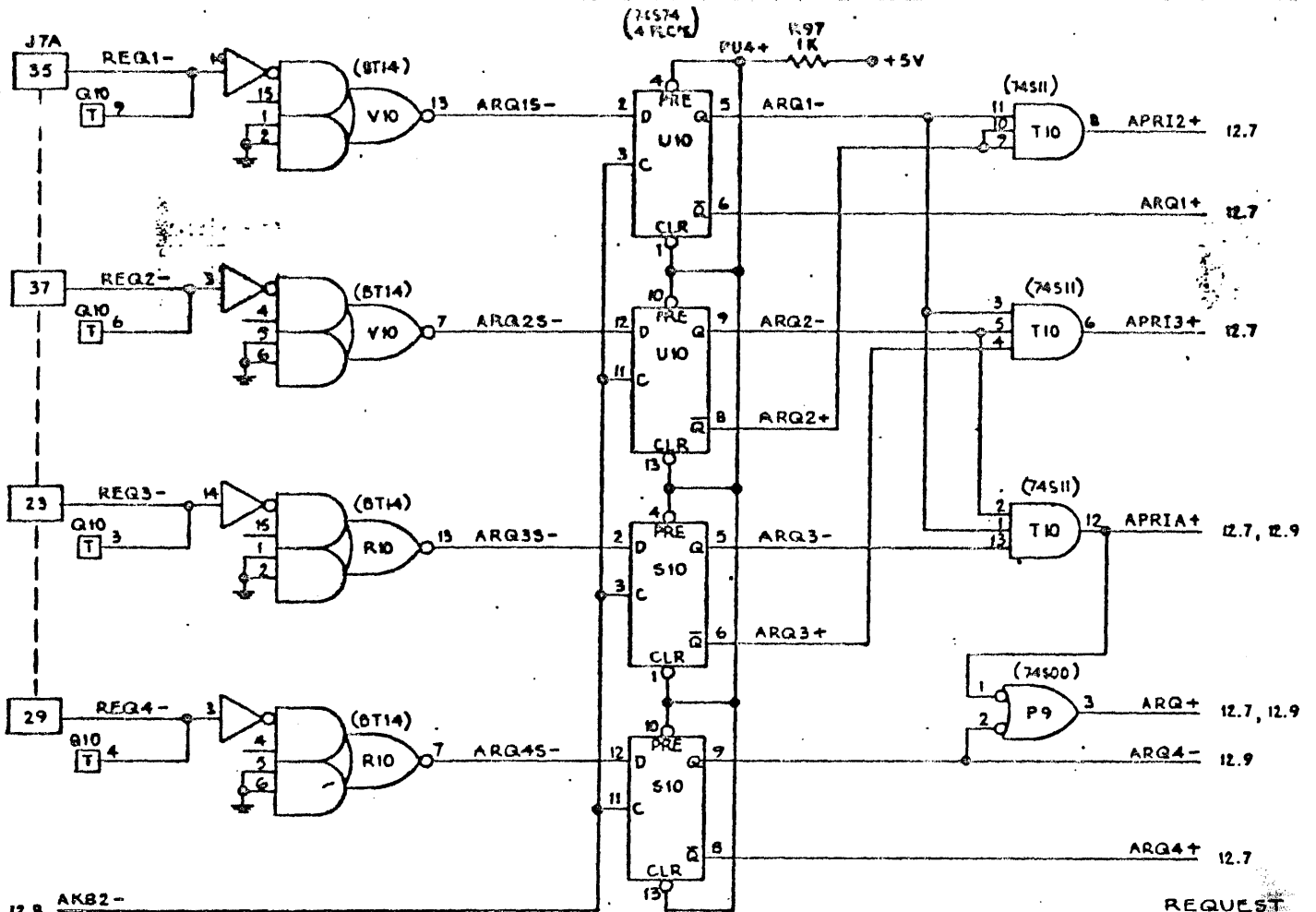
|                |      |          |               |
|----------------|------|----------|---------------|
| CODE IDENT NO. | SIZE | DRWG NO. | REV           |
| 21101          | C    | W9100401 | BY            |
| SCALE          |      |          | SHEET 12.4 OF |



- 12.6 APDEN+
- 12.10 AMDC1-
- 12.10 AMDEN+
- 12.6 AKMD+

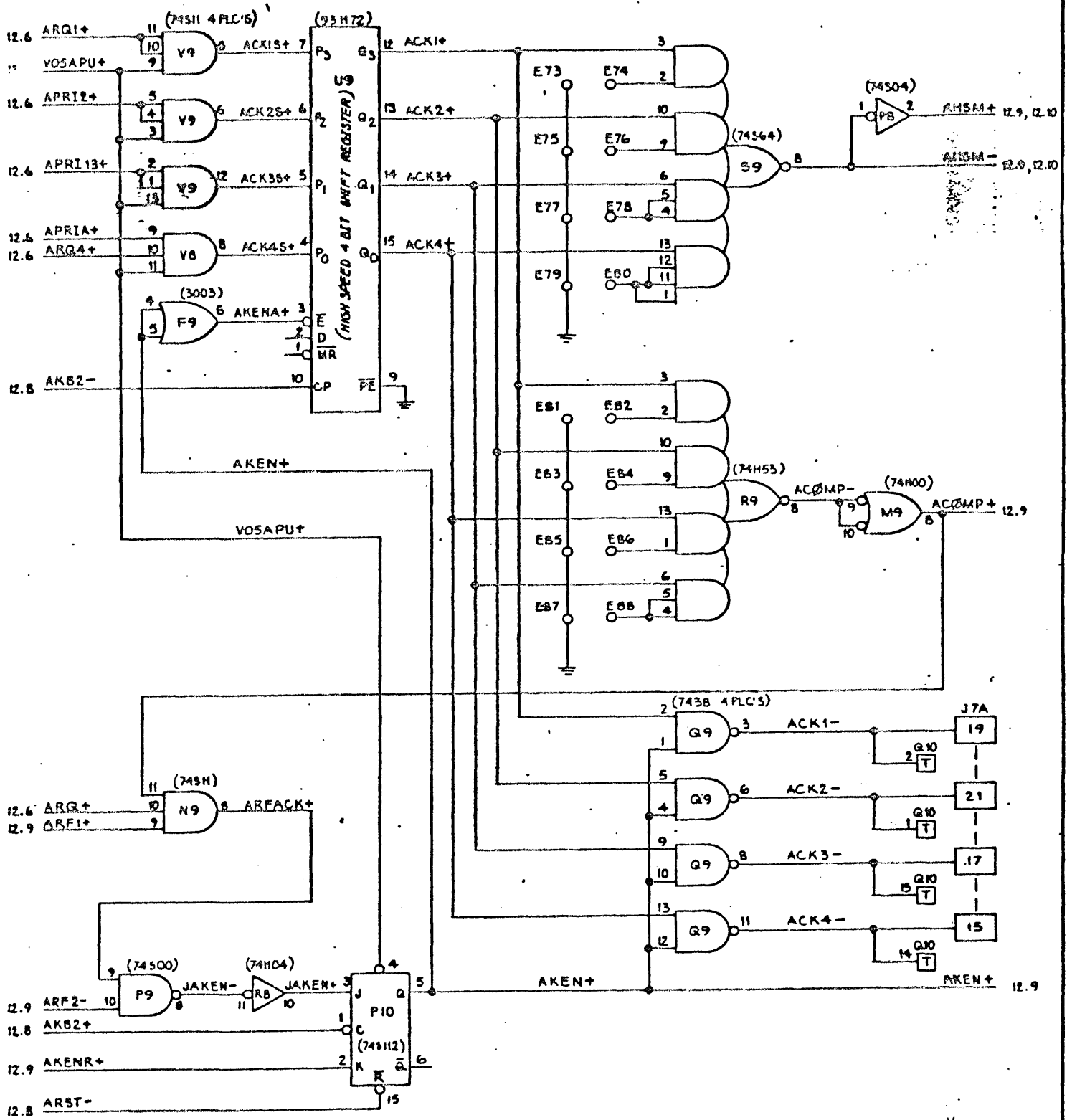
PMA - DATA BUFFER

| CODE IDENT | NO. | SIZE | DWG NO.  | REV            |
|------------|-----|------|----------|----------------|
| 21101      | C   |      | W9100401 | BY             |
| SCALE      |     |      |          | SHEET 12. 6 OF |



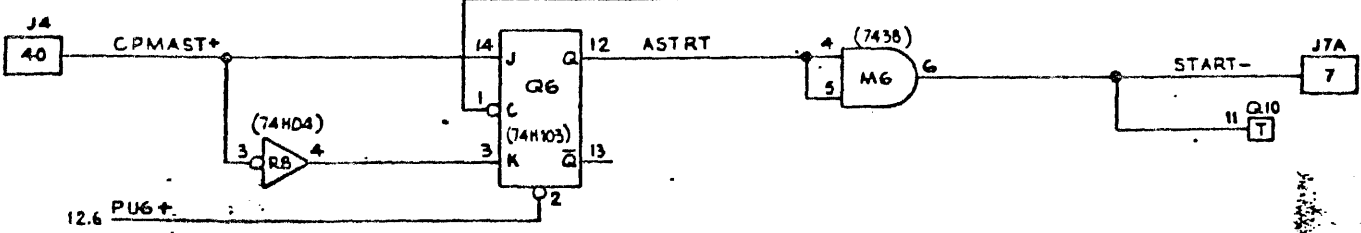
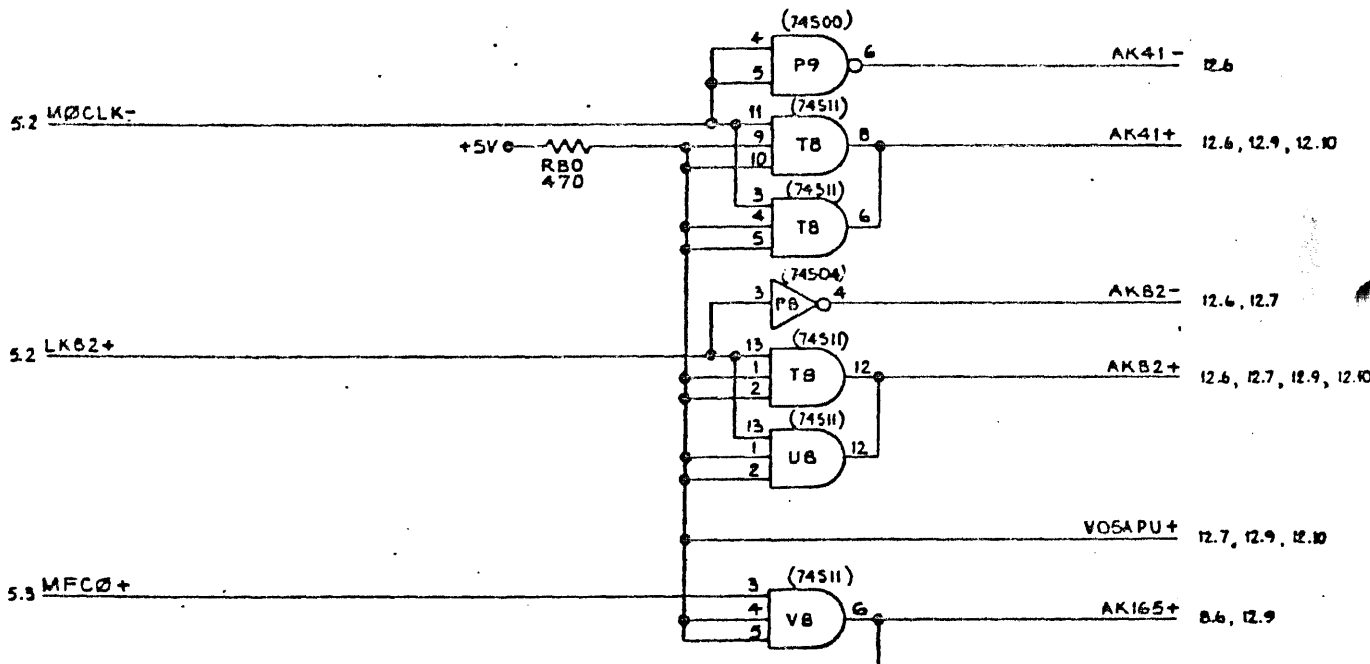
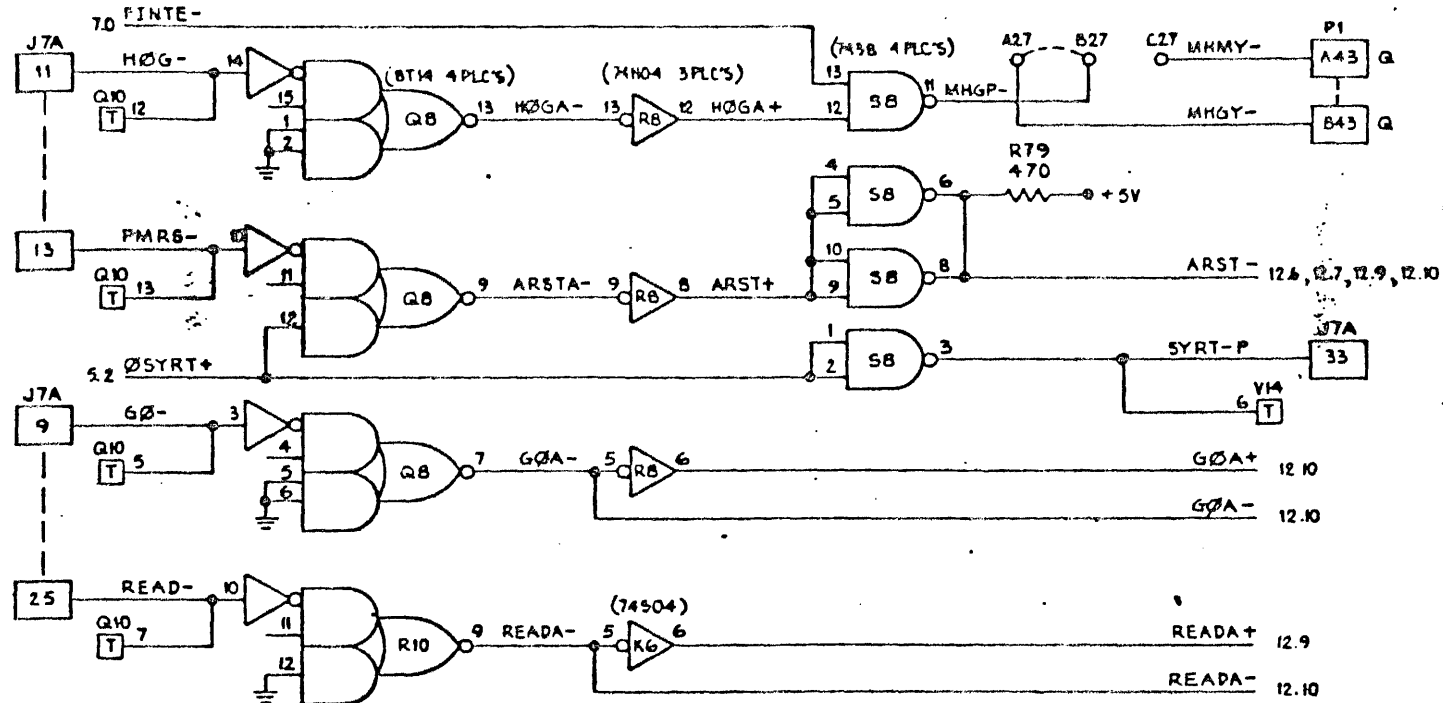
PMA

|                     |      |               |    |
|---------------------|------|---------------|----|
| DESIGN REVISION NO. | SIZE | DWG. NO.      | BY |
| 21101 C             |      | W9100401      |    |
| SCALE               |      | SHEET 12.6 OF |    |



PMA - REQUEST

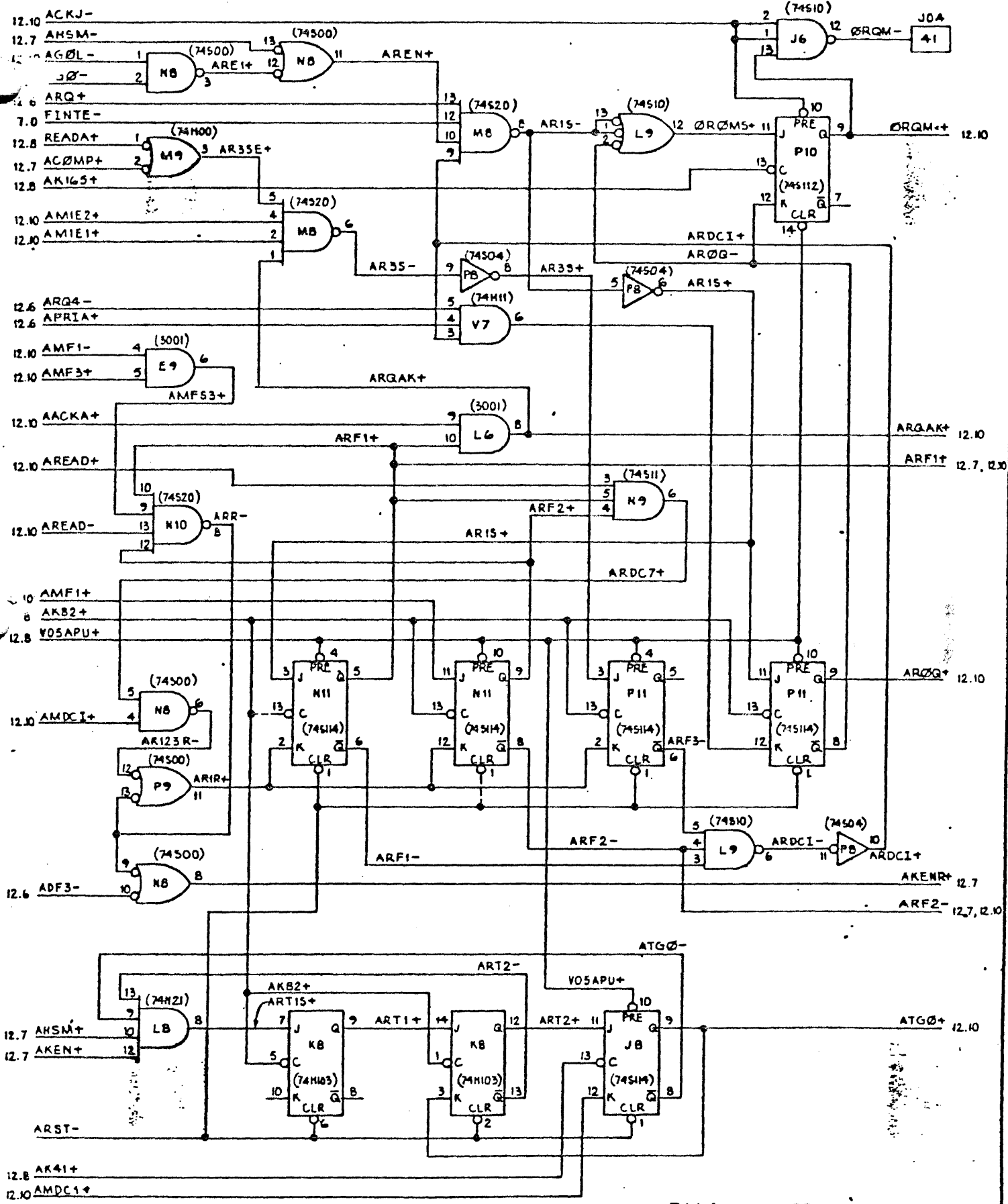
| CODE IDENT NO. | ESSE          | DRWG NO  | REV |
|----------------|---------------|----------|-----|
| 21101          | C             | W9100401 | BY  |
| SCALE          | SHEET 12.7 OF |          |     |



PMA - MISC

|       |     |          |             |
|-------|-----|----------|-------------|
| DATE  | REV | BY       | NO          |
| 21101 | C   | W9100401 |             |
| SCALE |     |          | SHEET 12 OF |





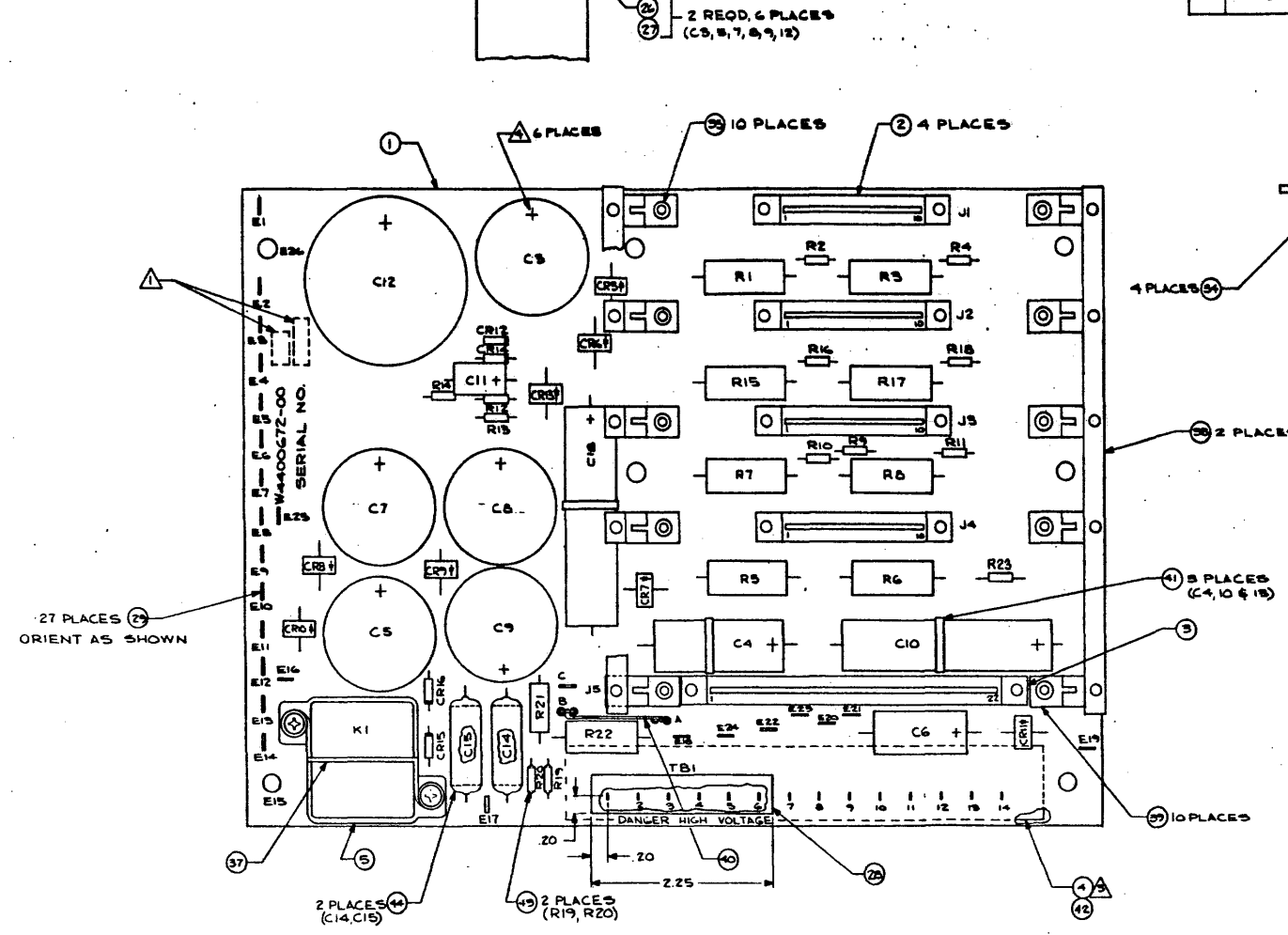
PMA — REQUEST SEQ.

|                |               |          |     |
|----------------|---------------|----------|-----|
| CODE IDENT NO. | SIZE          | DRAW NO. | REV |
| 21101          | C             | W9100401 | BY  |
| SCALE          | SHEET 12 9 OF |          |     |

BY MICROPROCESSOR ELECTRONIC DESIGN



| REVISIONS |           |      |   |    |      |
|-----------|-----------|------|---|----|------|
| REV       | EN. NO.   | CODE | DESCRIPTION   | DR | DATE |
| A         | 8/2/5     |      | PRODUCTION RELEASE  |    | 7/74 |
| A         | W87862-01 |      | RELEASED TO API   | TN |      |
| E         | W94157-01 |      | ADDED R25 AT EN E.4. UPDATED FORMAT DOCUMENT NO. WAS. 44C0672 | TN |      |



6. FIND NUMBERS FOR PARTS, IDENTIFIED BY REFERENCE DESIGNATIONS, APPEAR IN PART LIST
  5. INSTALL FREON SENSITIVE ITEMS (C3 THRU 10, 12, 13 AND K1) AFTER NORMAL CLEANING PROCESS.
  4. MARK POLARITY (+) TO AGREE WITH MANUFACTURER'S POLARITY MARKING ON OPPOSITE END OF CAN ON C3, 5, 7, 8, 9 AND 12. MARKING TO BE IN CONTRASTING COLOR, PERMANENT, .18 HIGH.
  3. CUT T81 TABS 1 THRU 6 WITHIN .03 - .06 FROM SURFACE OF BOARD AND COVER WITH F/N 28.
  2. USE HARDWARE IN ACCORDANCE WITH (S02)
  1. IDENTIFY PER (S01)
- NOTE: UNLESS OTHERWISE SPECIFIED

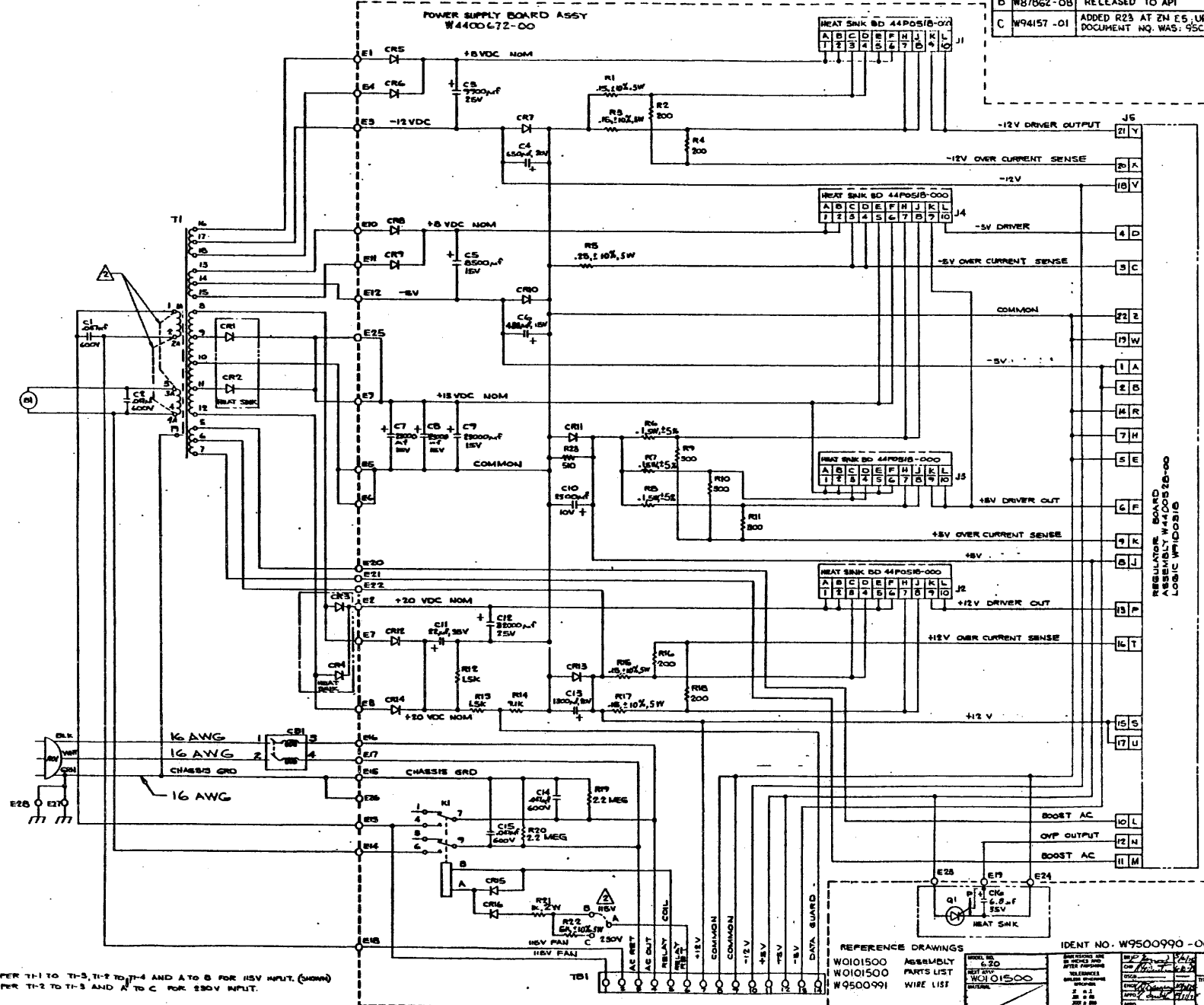
REFERENCE DRAWINGS  
W400612 PRINTED WIRING BD  
W9500990 SCHEMATIC  
W7700851 ARTWORK  
W7700852 SILKSCREEN  
W7700853 SOLDERMASK

FOR MATL REQUIREMENTS SEE PL  
PART NO.: W4400672-00 PL REV LETTER CONTROLS DOCUMENT.

|   |   |
|---|---|
| DATE: 8-27-54<br>DESIGNED BY: WJ<br>CHECKED BY: WJ<br>APPROVED BY: WJ<br>TITLE: PC ASSY - POWER SUPPLY DM 400<br>PART NO.: W4400672<br>SCALE: 1:1<br>SHEET 1 OF 1 | <b>SPERRY UNIVAC</b><br>PC ASSY - POWER SUPPLY DM 400<br>21101 C W4400672 E |
|---|---|

8 7 6 5 4 3 2 1

| REVISIONS |           |  |      |
|-----------|-----------|--|------|
| REV       | EN/EIR    | DESCRIPTION  | DR   |
| A         | 14/215    | PRODUCTION RELEASE   | 1:11 |
| B         | 14/213    | REVISED PIN NO. & DNG OF CBI ZONE C6LT                       | RS   |
| B         | W8786Z-08 | RELEASED TO API  | TN   |
| C         | W94157-01 | ADDED R23 AT ZN E5, UPDATED FORMAT DOCUMENT NO. WAS: 95C0990 | TN   |



REGULATOR BOARD LOGIC W/44POS18-000

| REF DESIGNATIONS | LAST USED | NOT USED |
|------------------|-----------|----------|
| E1               |           |          |
| C16              |           |          |
| C61              |           |          |
| CR16             |           |          |
| J5               |           |          |
| R22              |           |          |
| T1               |           |          |
| T81              |           |          |
| Q1               |           |          |
| E28              |           |          |

▲ JUMPER T1-1 TO T1-3, T1-2 TO T1-4 AND A TO B FOR 115V INPUT. (COMMON)  
 ▲ JUMPER T1-2 TO T1-3 AND A TO C FOR 230V INPUT.

LALL STORES ARE IN OHMS,  $\mu$ W, 25%

REFERENCE DRAWINGS  
 W0101500 ASSEMBLY  
 W0101500 PARTS LIST  
 W9500991 WIRE LIST

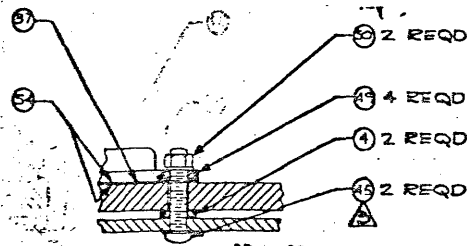
IDENT NO. W9500990-00

|   |  |                                   |                                  |
|---|--|-----------------------------------|----------------------------------|
| SPEC. NO. 620<br>REV. 001<br>W0101500<br>W9500991 | PREPARED BY<br>CHECKED BY<br>DESIGNED BY<br>DRAWN BY<br>DATE | TITLE<br>SCHEMATIC, POWER<br>ONLY | PART NO.<br>W9500990<br>REV. 001 |
|---|--|-----------------------------------|----------------------------------|

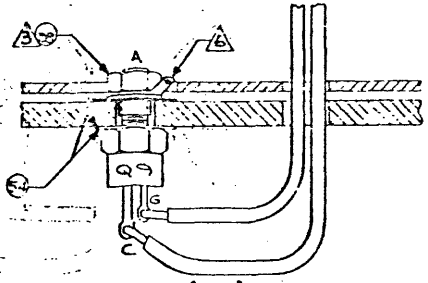
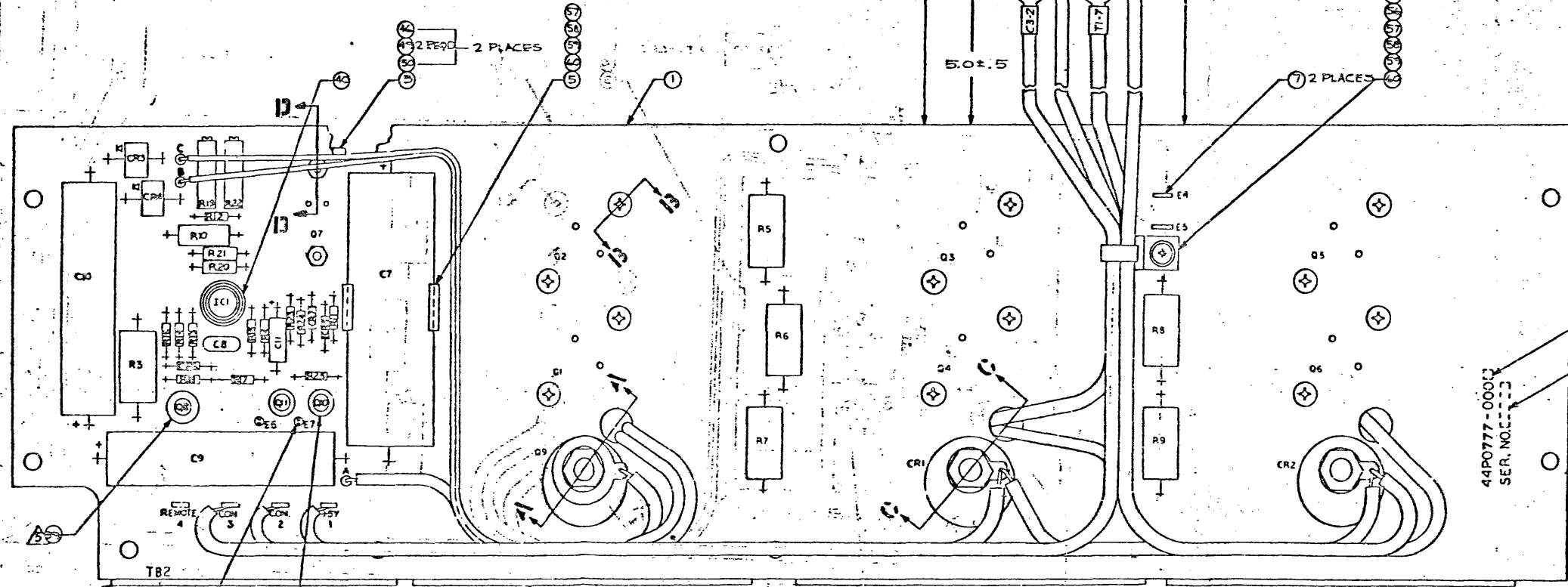
SPERRY-UNIVAC

| WIRE LIST |          |       |          |         |
|-----------|----------|-------|----------|---------|
| FROM      | TERM F/N | TO    | TERM F/N | AMS F/N |
| CR1-A     | SOLDER   | CR2-A | SOLDER   | 12 62   |
| CR1-A     |          | CS-2  | 61       | 12 62   |
| CR1-C     |          | B     | SOLDER   | 20 53   |
| CR2-C     |          | C     | SOLDER   | 20 53   |
| Q9-B      |          | A     | SOLDER   | 20 53   |
| Q9-C      |          | TB2-2 | SOLDER   | 16 52   |
| Q9-A      |          | TB2-1 | SOLDER   | 16 52   |
| CR1-C     |          | T1-7  | 61       | 12 62   |
| CR2-C     |          | T1-5  | 61       | 12 62   |
| TB2-B     | SOLDER   | C4-2  | 61       | 12 62   |

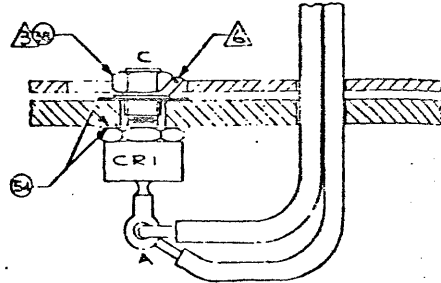
| REV | NO | DESCRIPTION            |
|-----|----|------------------------|
| A   | 1  | PRODUCTION RELEASE     |
| A   | 2  | ADDED SECTION LINE R-D |
| B   | 1  | REVISED                |



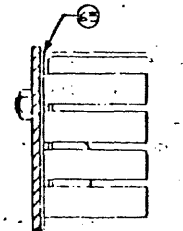
SECTION B-B  
ROTATED 45° CW  
STYP FOR Q1 THRU Q6



SECTION A-A  
ROTATED 45° CW



SECTION C-C  
ROTATED 45° CW  
TYP. CR1 & CR2



SECTION D-D  
SCALE: NONE

REFERENCE DRAWINGS  
 SCHEMATIC --- 95D1222  
 ARTWORK --- 97E1010  
 SOLDERMASK --- 97E1011  
 SILKSCREEN --- 97E1012

- ▲ BEND SOLDER LUG UP APPROX. (45°) AS SHOWN.
- ▲ USE OF TRANSISTOR MOUNTING PADS OPTIONAL.
- ▲ IDENTIFY TERMINALS AS SHOWN.
- ▲ TORQUE STUDS OF CR1, CR2, Q1 THRU Q6 & Q9 TO 12 IN-LBS MAX.
- ▲ MARK SERIAL NO. WHERE SHOWN USING .12 HIGH PERMANENT CHARACTER'S.
- ▲ IDENTIFY PER SPECIFICATION 98A1163.

PART NO. 44P0777-000  
 FOR PARTS LIST SEE 44P0777

|   |                    |                                |                    |
|---|--------------------|--------------------------------|--------------------|
| MODEL NO<br>MULTI-USAGE<br>PART NO<br>QIP 658 | SERIAL NO<br>21101 | SPERRY UNIVAC                  |                    |
|   |                    | PWR SUPPLY BD<br>+5 EXP DM 461 |                    |
| DATE<br>2/71                                  | DRAWN BY<br>C      | CHECKED BY<br>C                | PART NO<br>44C0777 |