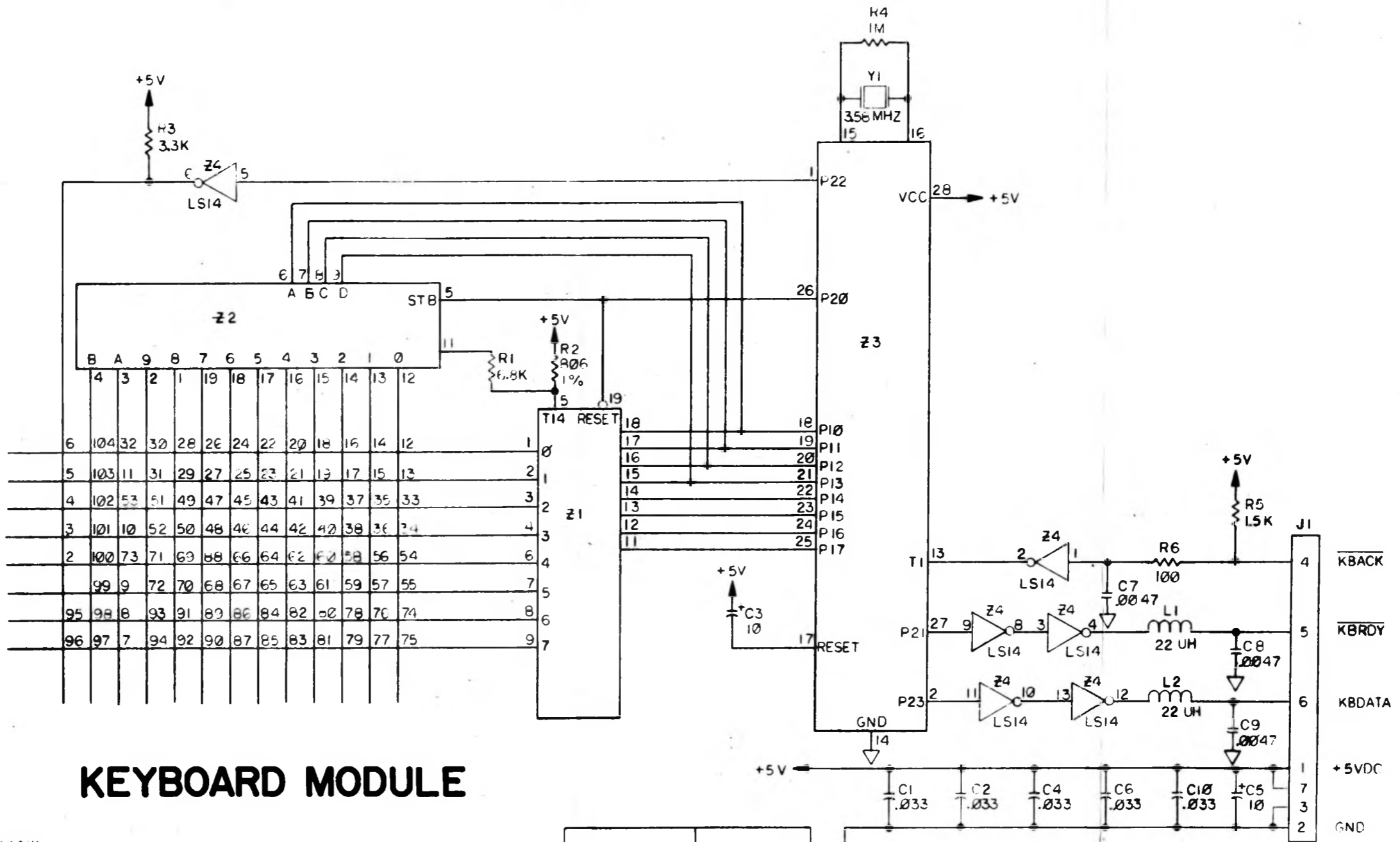


- 4 REF COMPOWER CORP., CP-5102 SCHEMATIC, DWG NO 90017.
- [3] CUT FOR 220V OPERATION
- 2. ALL RESISTORS ARE ±5%, 1/4W.
- 1. ELECTRICAL VALUES ARE IN OHMS, MICROFARADS AND MICROHENRIES.

SHT. | OF | REV. P1  
 DWG. NO. 100701

VICTOR BUSINESS PRODUCTS  
 PWR. SUPPLY SCHEMATIC

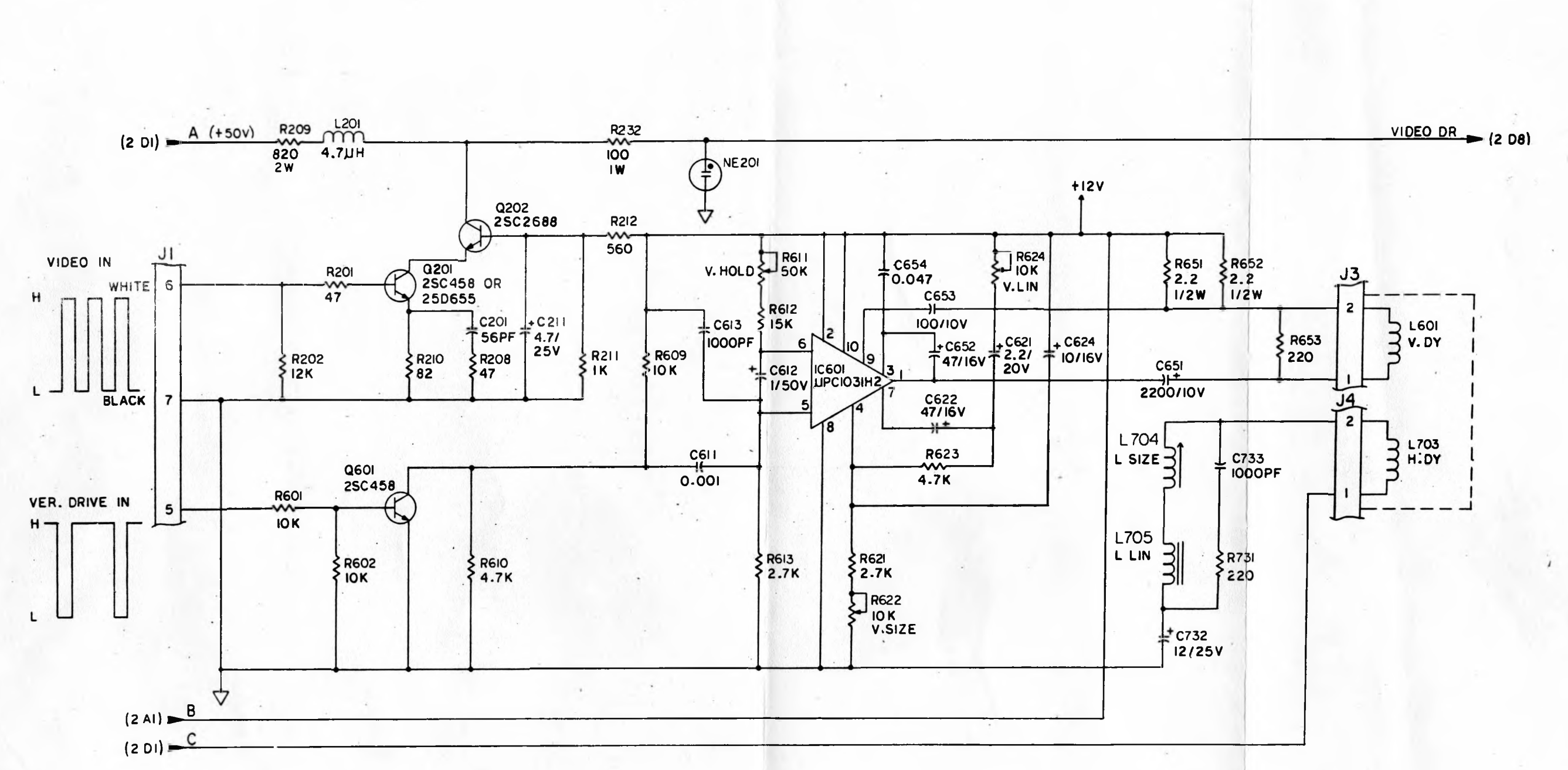


# KEYBOARD MODULE

- 3. ALL RESISTORS ARE  $\pm 5\%$ , 1/4W
  - 2. ELECTRICAL VALES ARE IN OHMS, MICROFARADS & MICRCHENRIES
  - 1. MADE SCHEMATIC FROM KEY TRONIC CORPORATION, SP. KANE, WASH. PART NUMBER 35-02307-XXX.
- NOTE: UNLESS OTHERWISE SPECIFIED

Z4 - Y1 - J1	
R6 - C10 - L2	
LAST USED	NOT USED
REF. DES.	

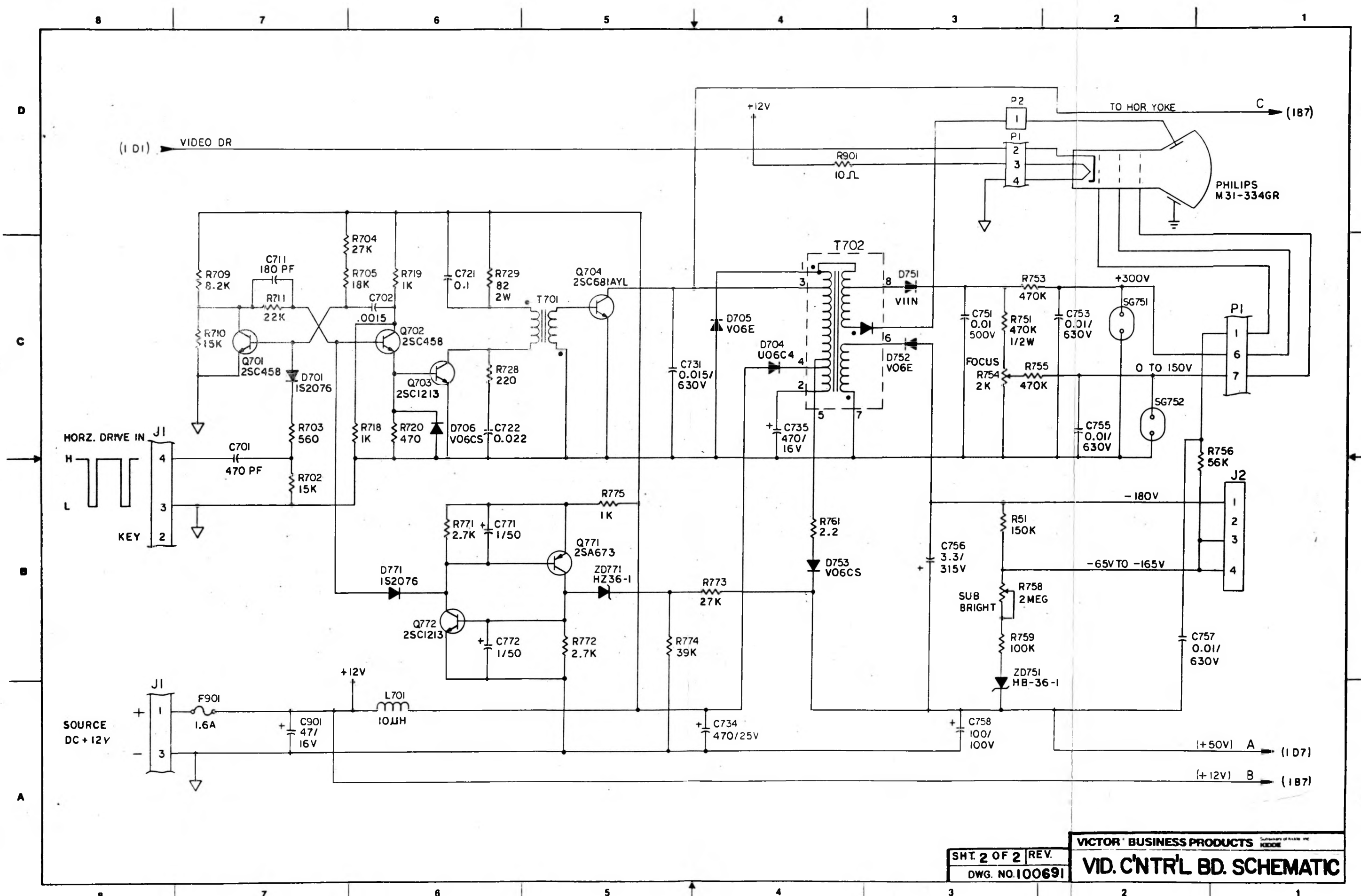
8 7 6 5 4 3 2 1



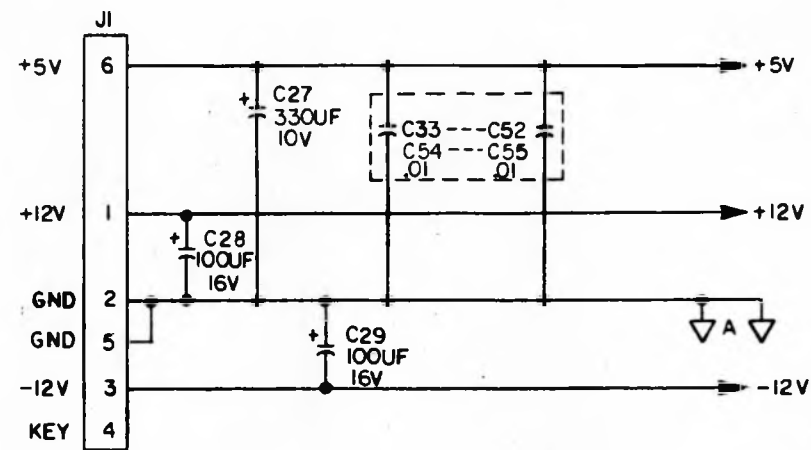
8 7 6 5 4 3 2 1

SHT. 1 OF 2 REV  
DWG. NO. 100691

VICTOR BUSINESS PRODUCTS  
VID. C'NTR'L BD. SCHEMATIC



SHT. 2 OF 2 REV. VICTOR BUSINESS PRODUCTS  
 DWG. NO. 100691 VID. C'NTR'L BD. SCHEMATIC



NOTES: UNLESS OTHERWISE SPECIFIED.

1. ELECTRICAL VALUES ARE IN OHMS, MICROFARADS AND MICROHENRIES.

2. ALL RESISTERS ARE  $\pm 5\%$ , 1/4 W.

3. F.S. IS FACTORY SELECT COMPONENTS.

4. Q1, Q2 ARE MOUNTED ON HEATSINK.

5. ALL INTEGRATED CIRCUITS ARE SN74 SERIES.

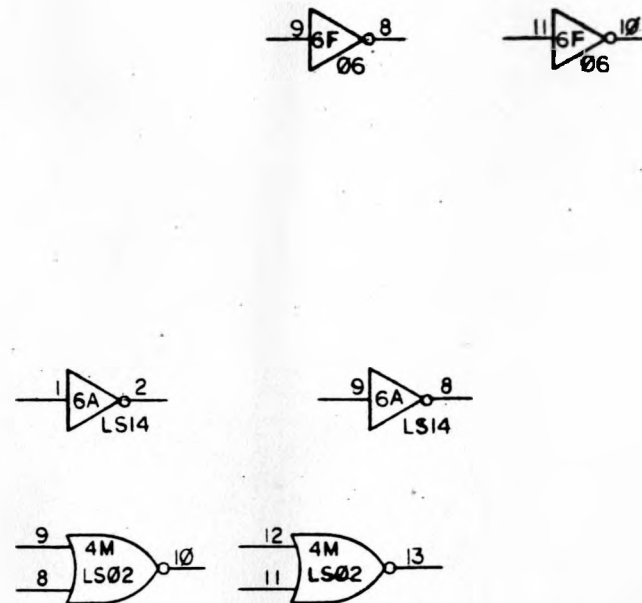
6. I.C. PINS ARE GND=7, +5V=14 EXCEPT FOR:

TYPE	GND	+5V
74LS123	8	16
74LS133	8	16
74LS139	8	16
74LS157	8	16
74LS165	8	16
74LS190	8	16
74LS191	8	16
74LS373	10	20
2316	12	24
75462	4	8

7. ALL DIODE ARE 1N4148.

8. SEE TABULATION TABLE THIS PAGE.

## POWER & SPARES

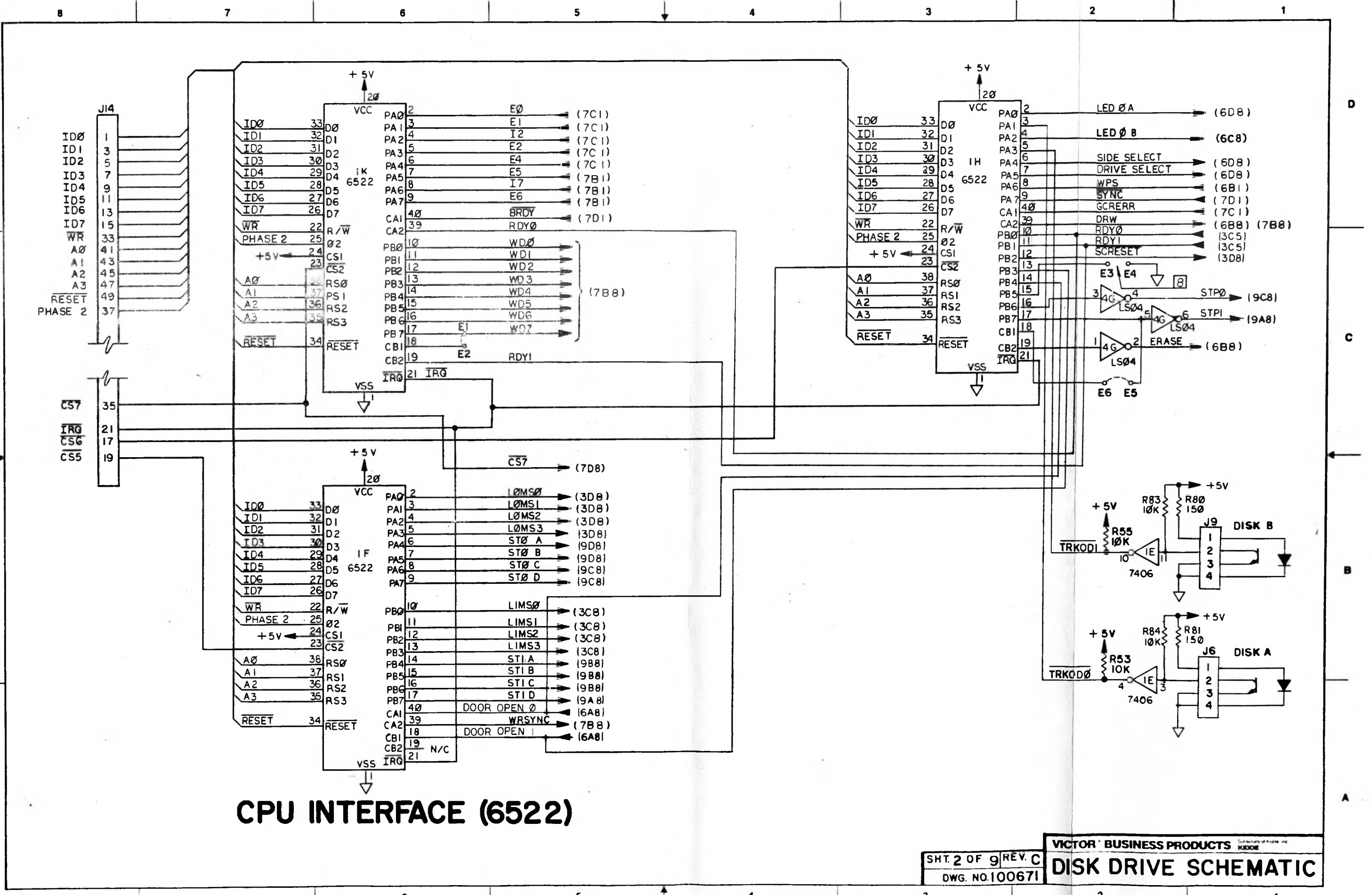


SPARE GATES

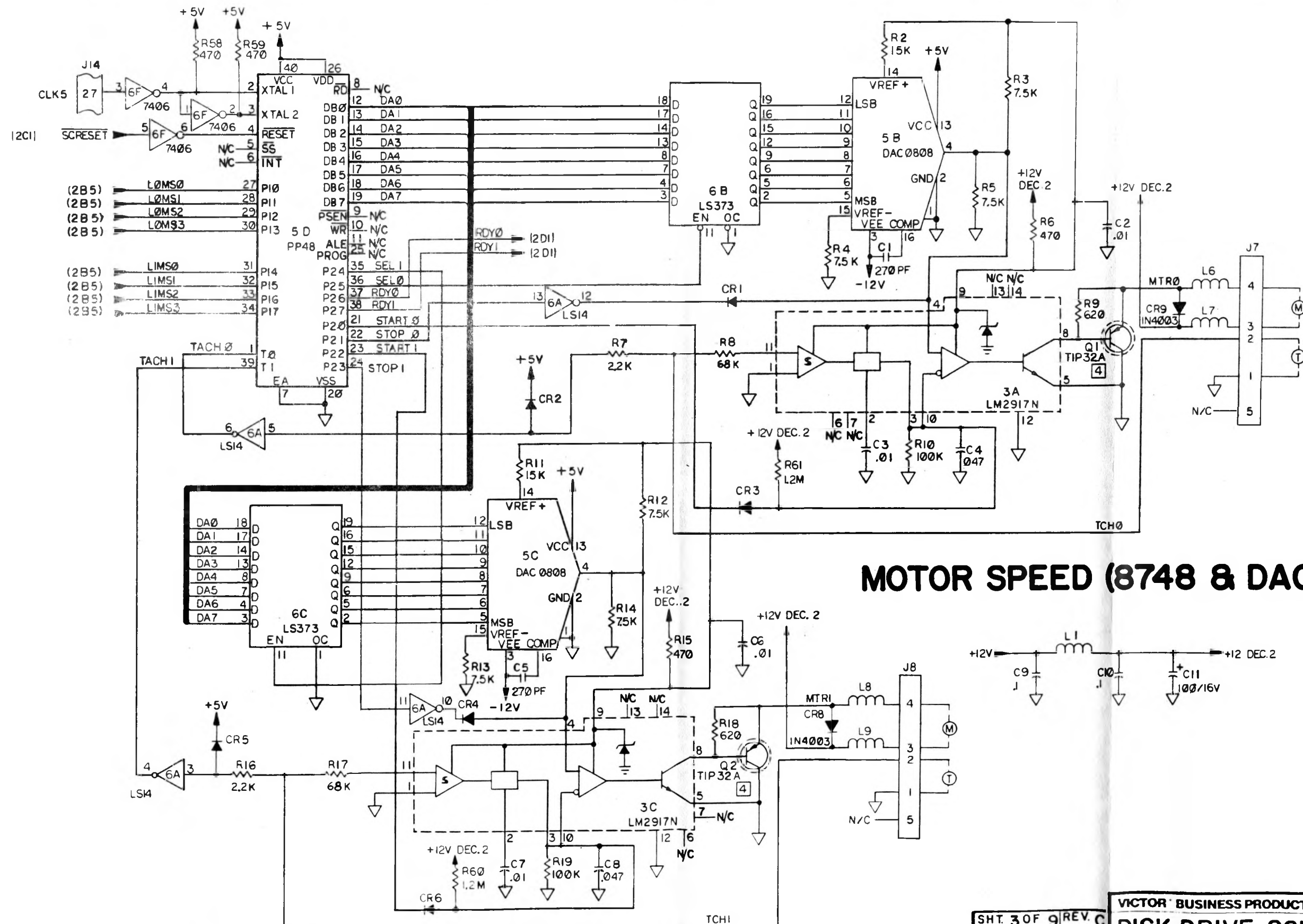
SHEET	DESCRIPTION
1	POWER & SPARES
2	CPU INTERFACE (6522)
3	MOTOR SPEED (8748 & DAC)
4	PLL
5	RD/WR HEAD INTERFACE
6	DRIVE SELECT, LED, DECODE
7	GCR EN/DE-CODER
8	DISK CONNECTORS (REF)
9	STEPPER CONTROL

SHT. 1 OF 9 REV. C  
DWG. NO. 100671

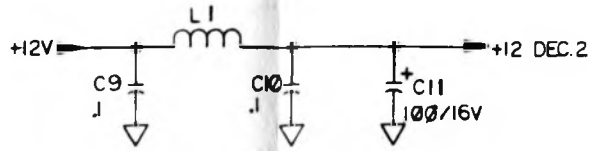
VICTOR BUSINESS PRODUCTS  
DISK DRIVE SCHEMATIC

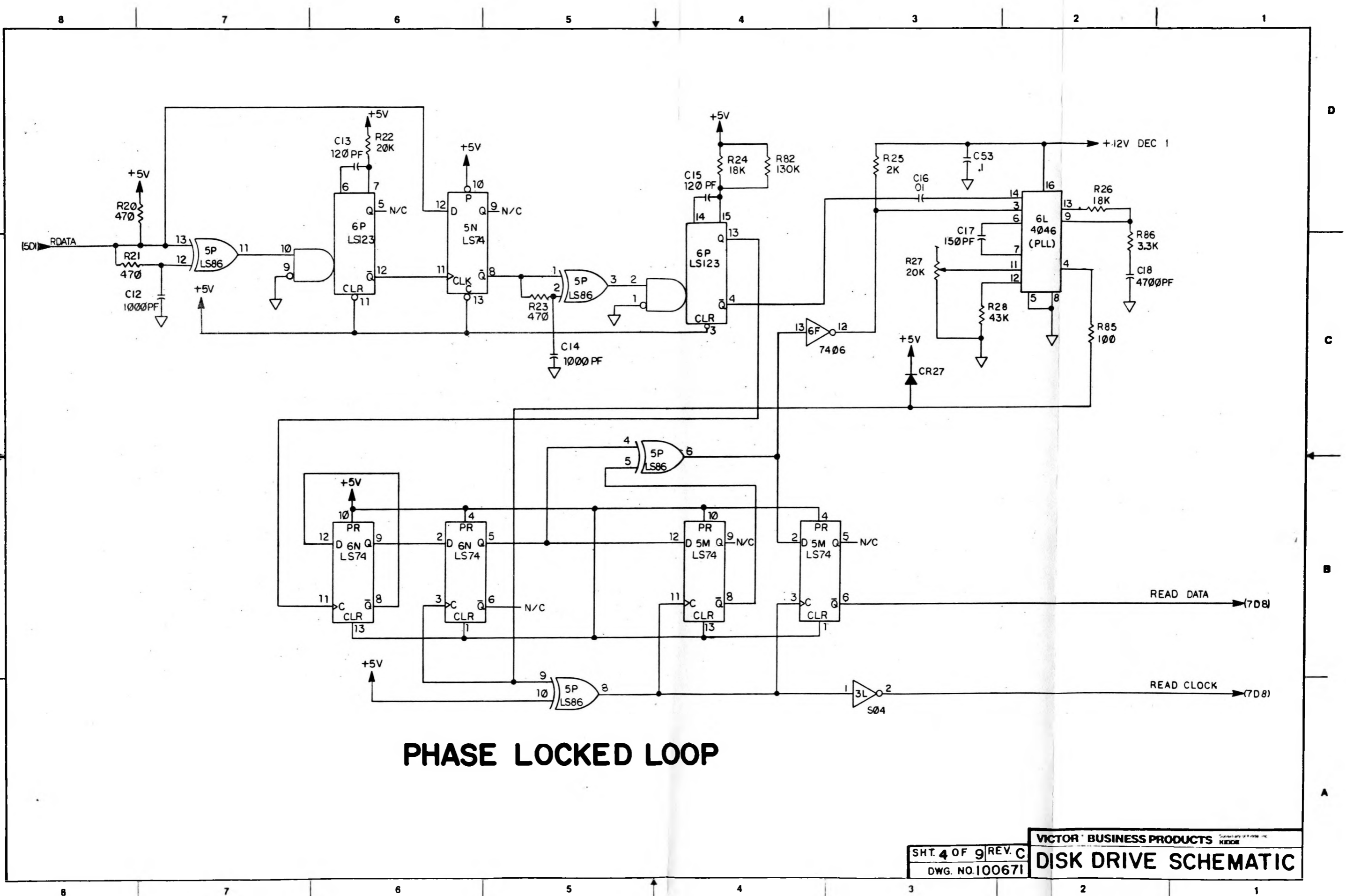


**CPU INTERFACE (6522)**



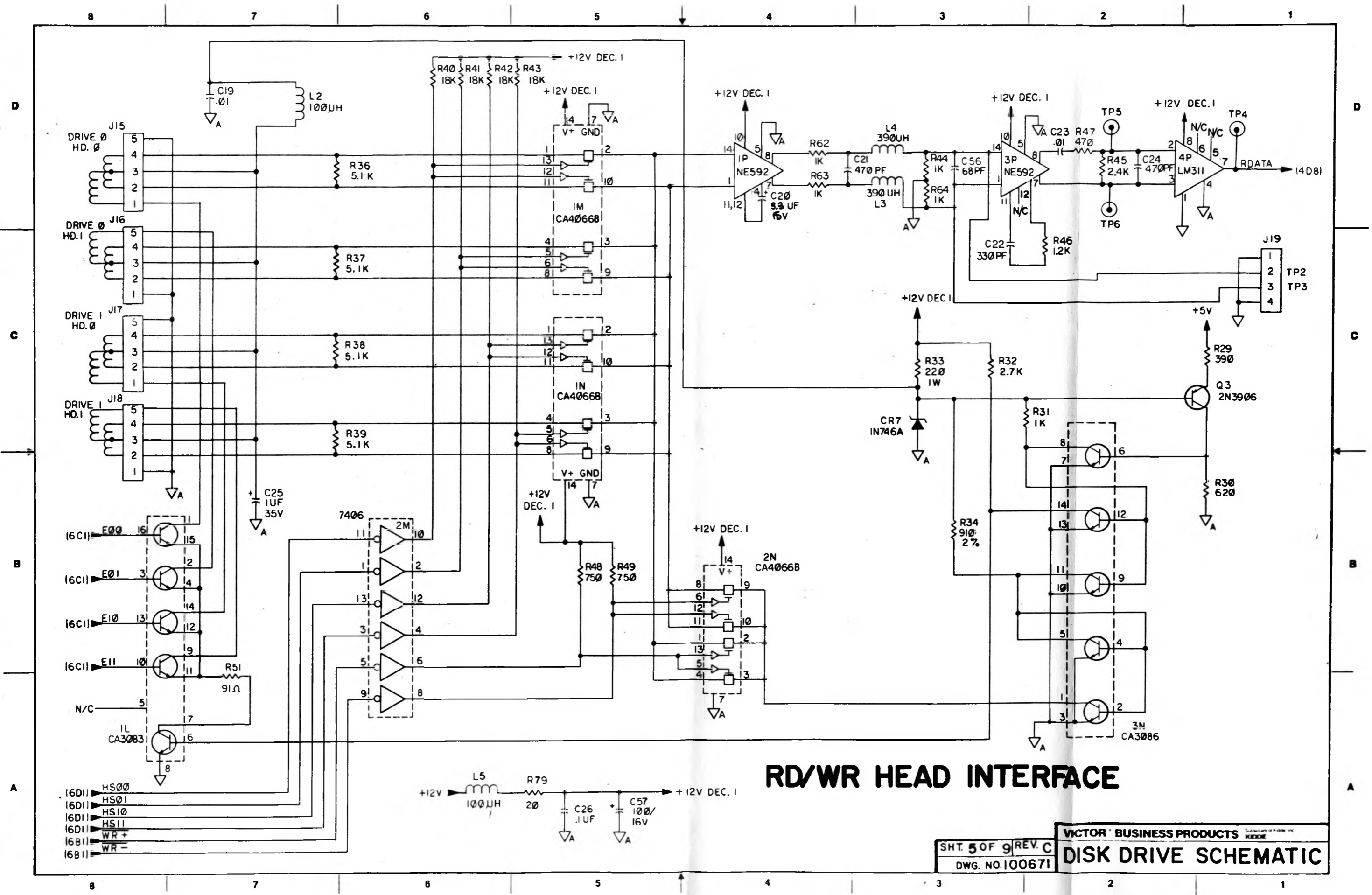
### MOTOR SPEED (8748 & DAC)



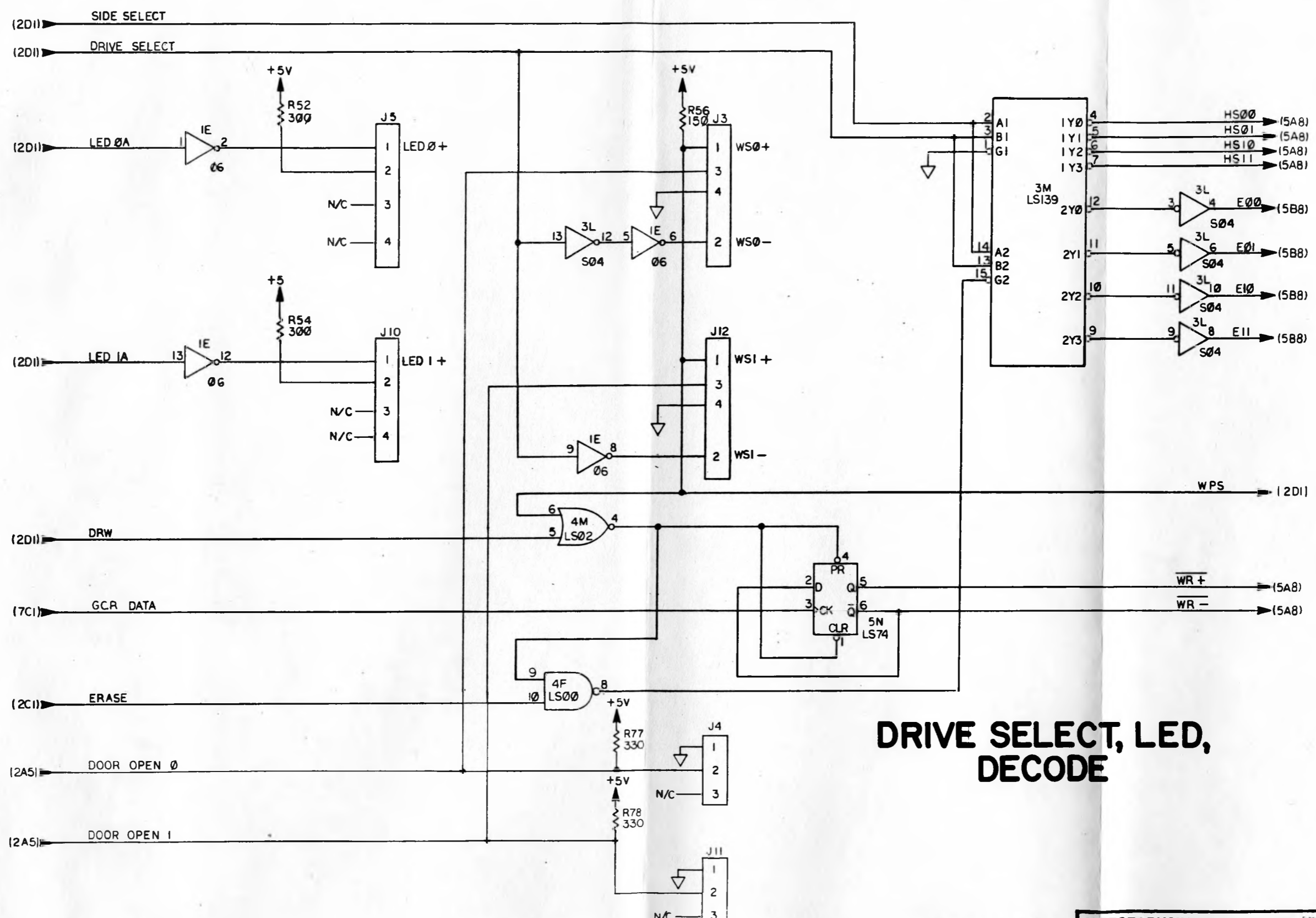


**PHASE LOCKED LOOP**



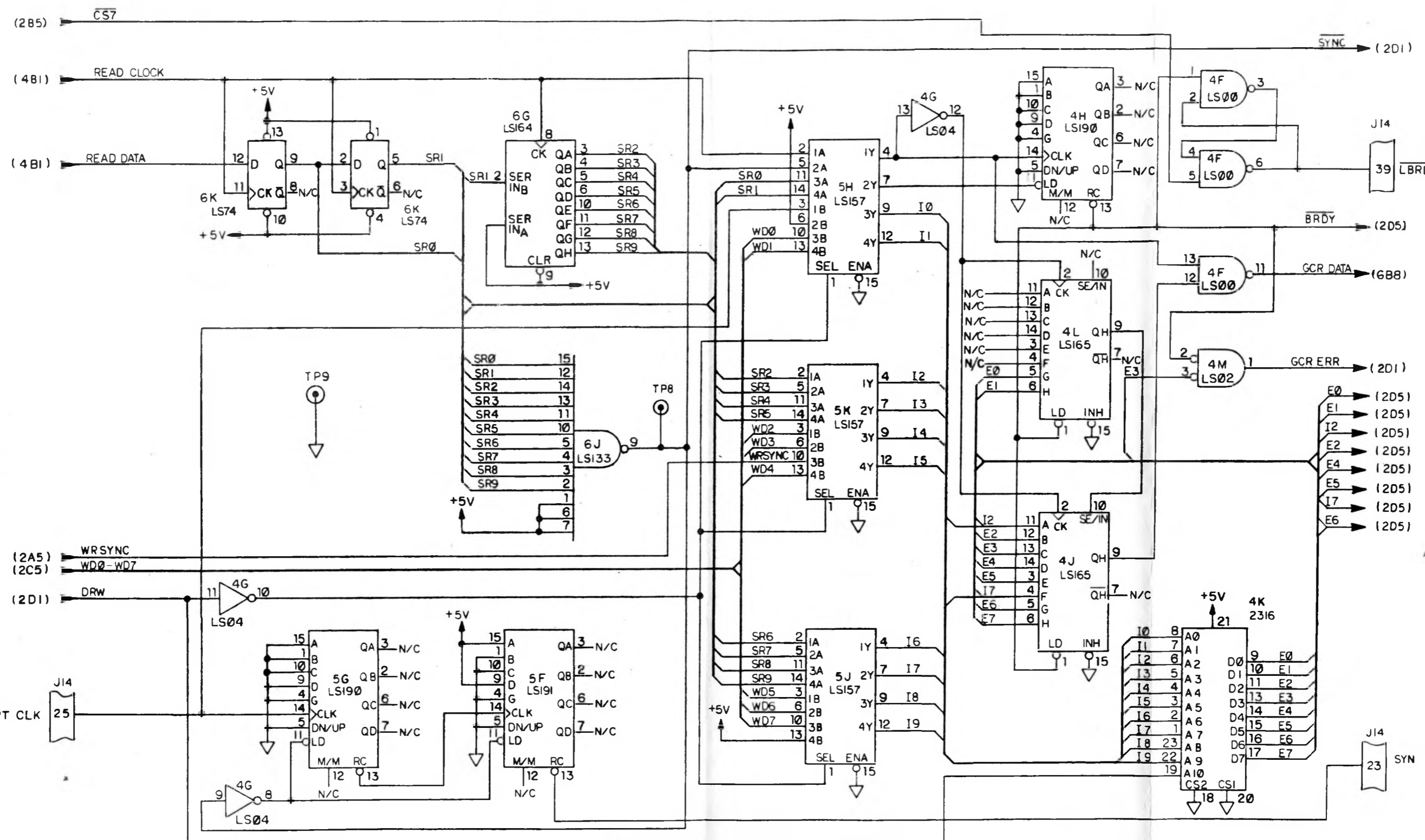


# RD/WR HEAD INTERFACE



# DRIVE SELECT, LED, DECODE

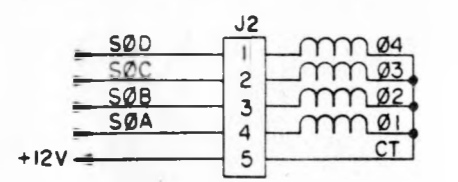
B 7 6 5 4 3 2 1



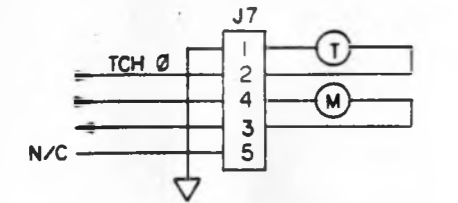
# GCR EN/DE-CODER

8 7 6 5 4 3 2 1

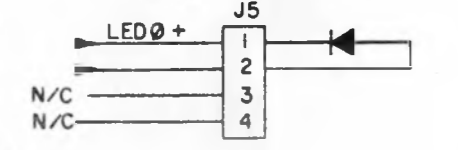
8 7 6 5 4 3 2 1



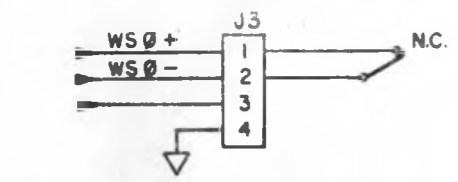
**STEPPER A**  
(SHT 9)



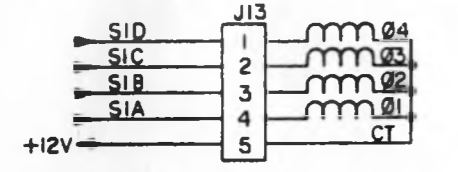
**MOTOR A** (8748, DAC, DISCRETE)  
(SHT 3)



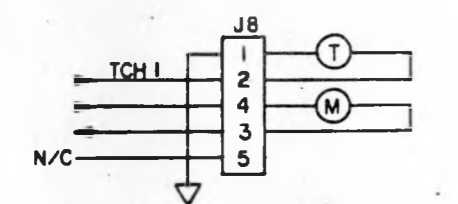
**ACTIVITY LED A**  
(SHT 6)



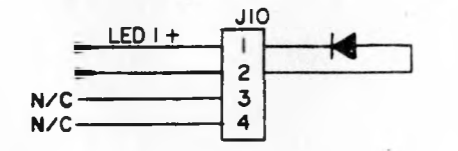
**WRITE PROTECT A**  
(SHT 6)



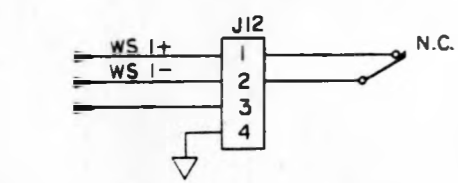
**STEPPER B**  
(SHT 9)



**MOTOR B**  
(SHT 3)

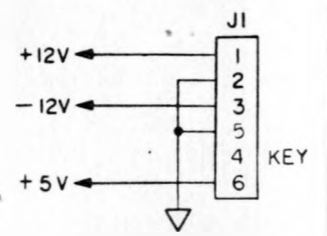
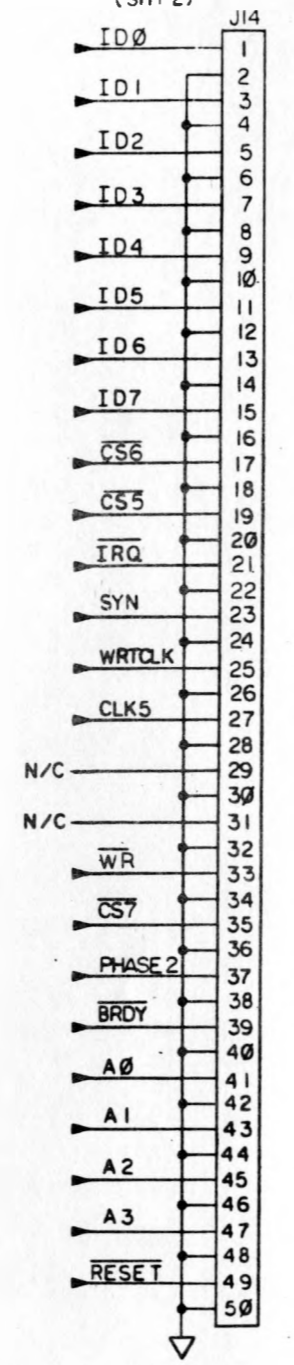


**ACTIVITY LED B**  
(SHT 6)



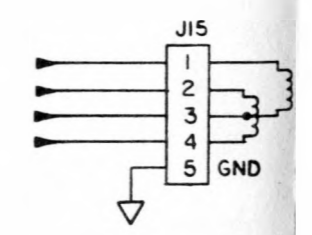
**WRITE PROTECT B**  
(SHT 6)

**CPU INTERFACE (6522)**  
(SHT 2)

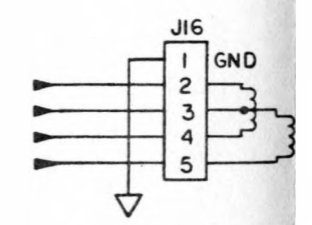


**POWER CONNECTOR**  
(SHT 1)

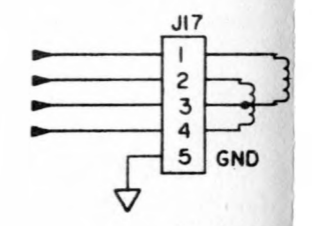
**DRIVE A HEAD 0**  
(SHT 5)



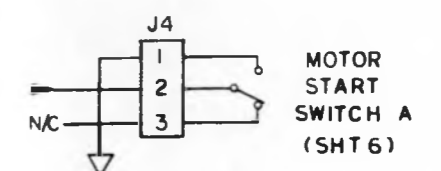
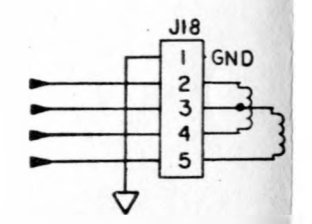
**DRIVE A HEAD 1**  
(SHT 5)



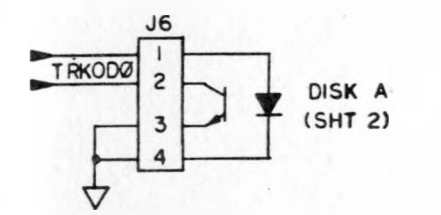
**DRIVE B HEAD 0**  
(SHT 5)



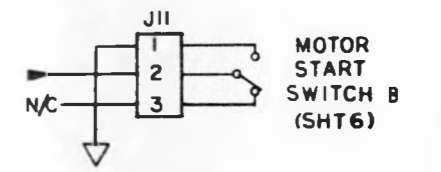
**DRIVE B HEAD 1**  
(SHT 5)



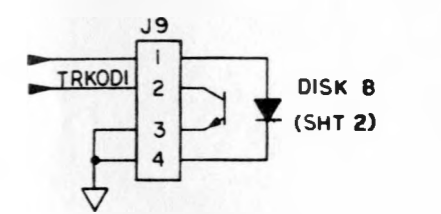
**MOTOR START SWITCH A**  
(SHT 6)



**DISK A**  
(SHT 2)



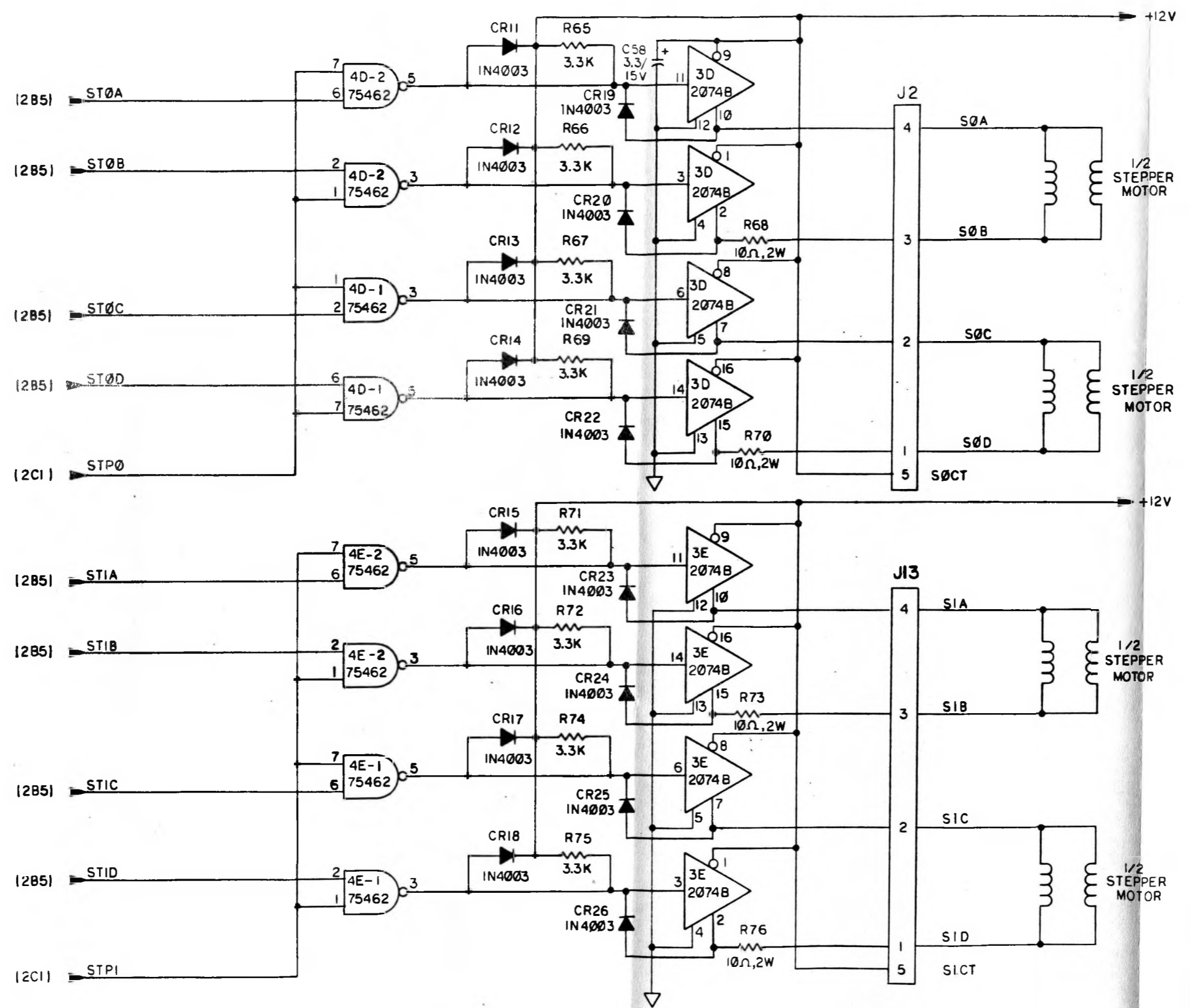
**MOTOR START SWITCH B**  
(SHT 6)



**DISK B**  
(SHT 2)

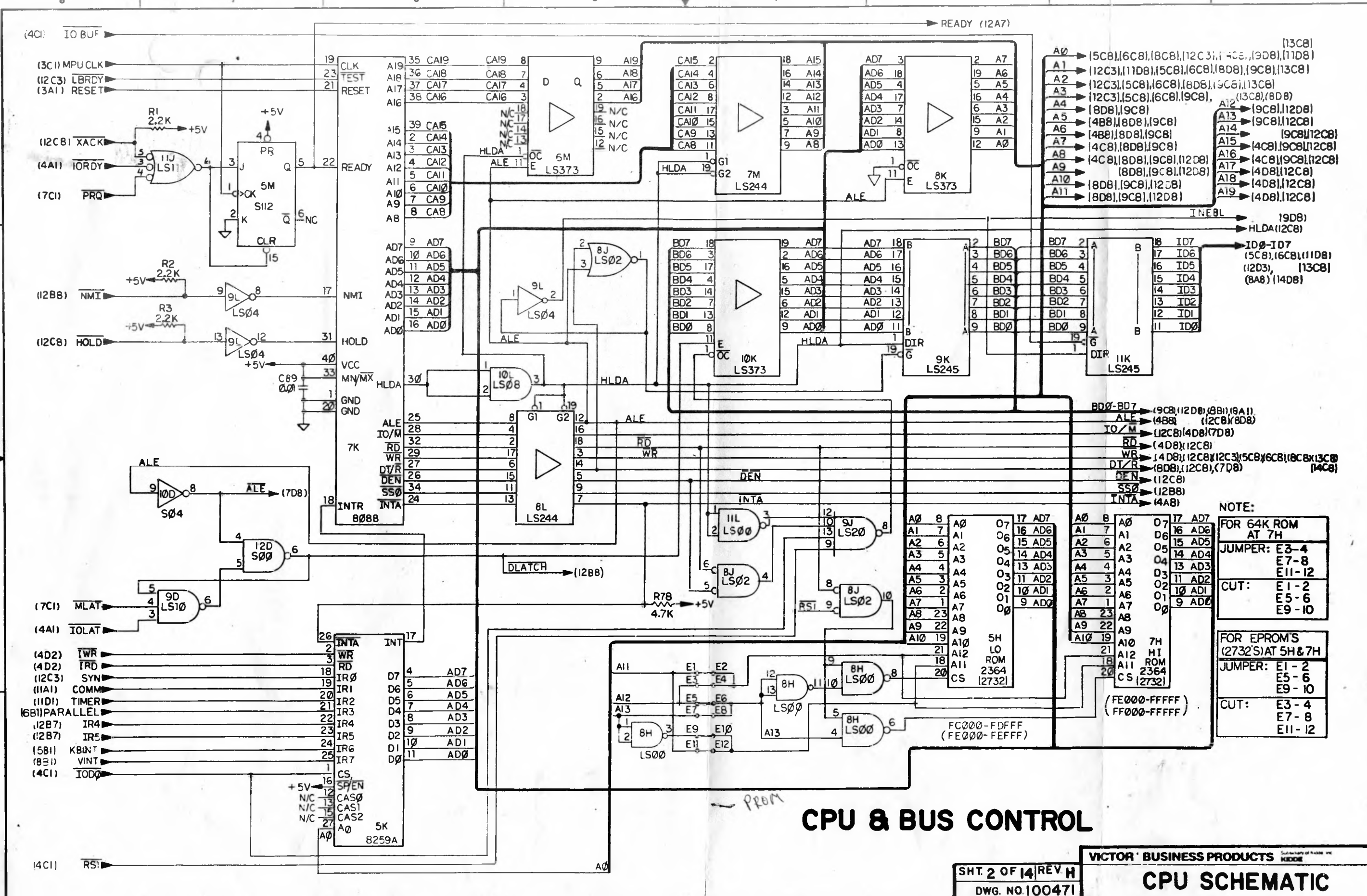
**DISK CONNECTORS (REF)**

8 7 6 5 4 3 2 1



# STEPPER CONTROL





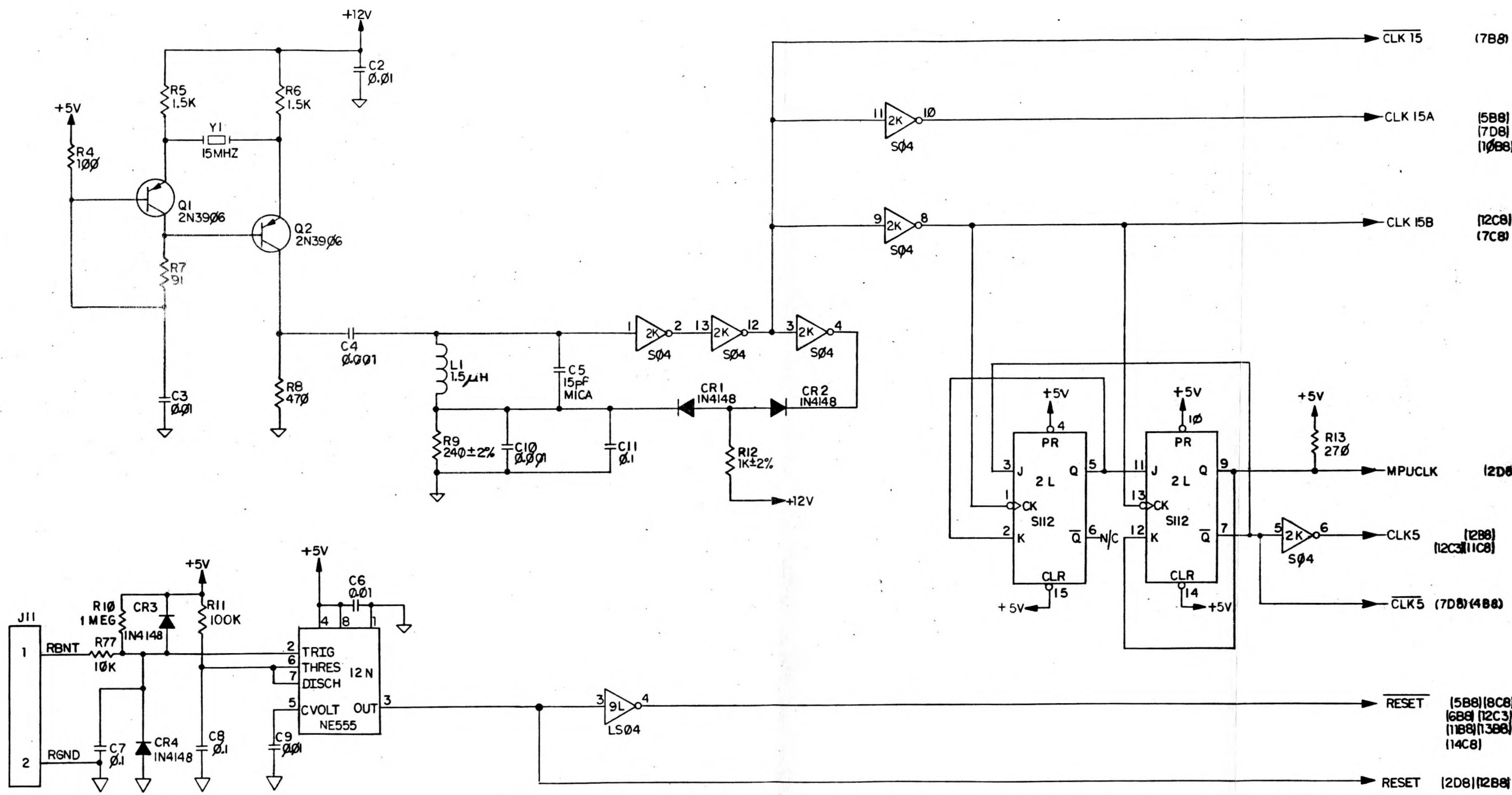
# CPU & BUS CONTROL

**NOTE:**

FOR 64K ROM AT 7H  
 JUMPER: E3-4  
 E7-8  
 E11-12  
 CUT: E1-2  
 E5-6  
 E9-10

FOR EPROM'S (2732'S) AT 5H & 7H  
 JUMPER: E1-2  
 E5-6  
 E9-10  
 CUT: E3-4  
 E7-8  
 E11-12

8 7 6 5 4 3 2 1



# MASTER CLOCK

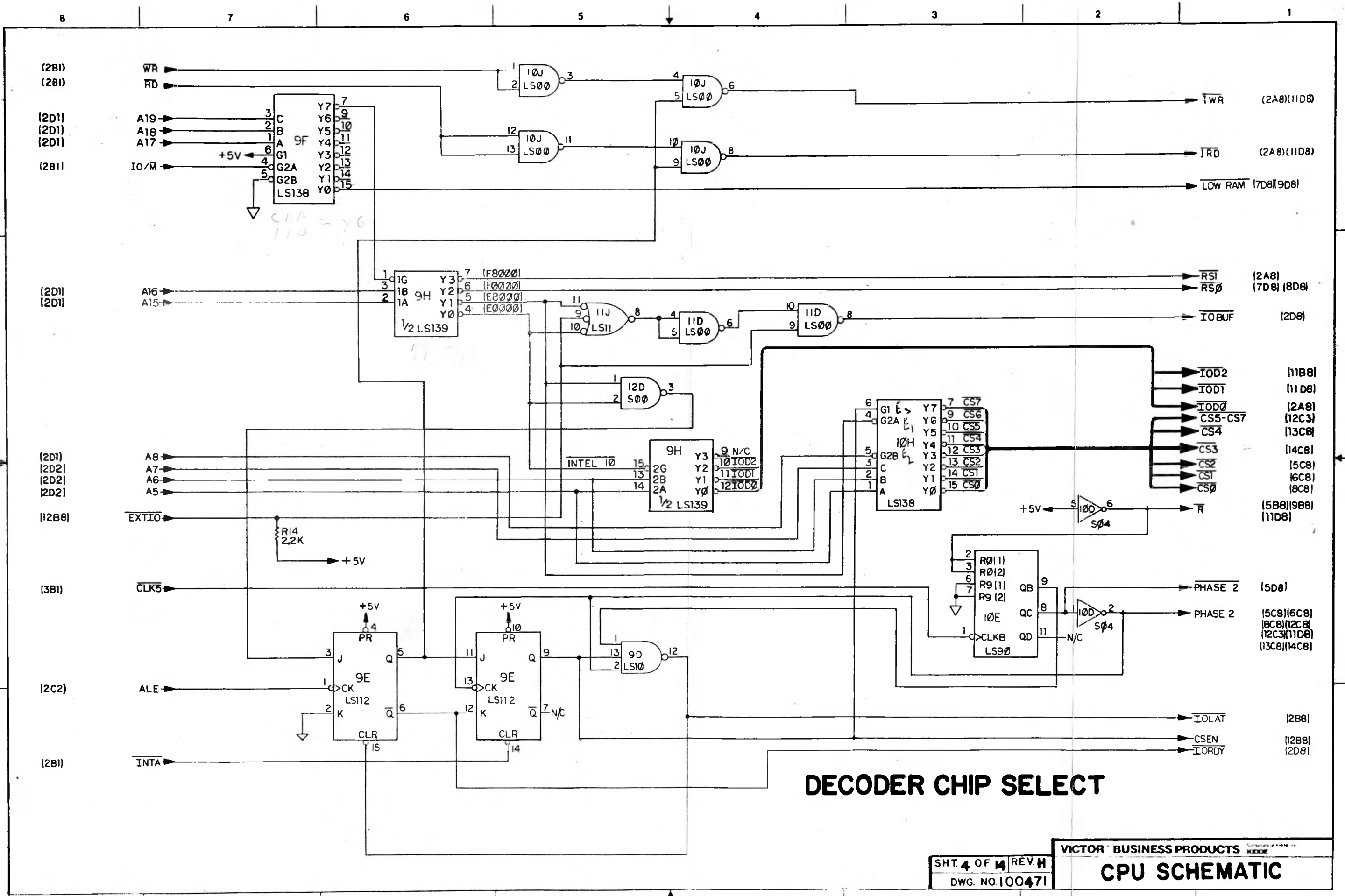
SHT. 3 OF 14 REV H  
DWG. NO. 100471

VICTOR BUSINESS PRODUCTS  
CPU SCHEMATIC

8 7 6 5 4 3 2 1



4

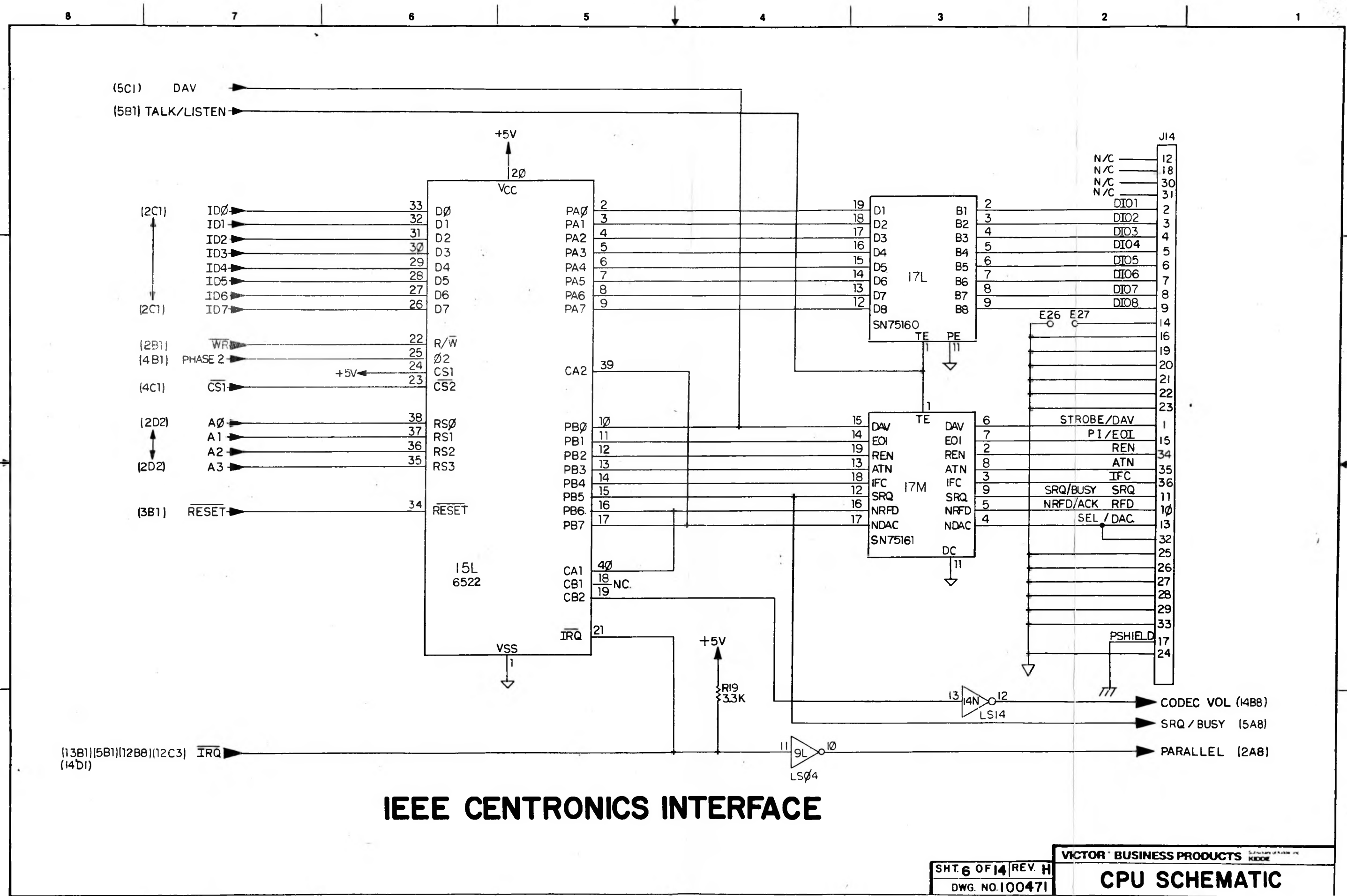


SHT. 4 OF 14 REV. H  
 DWG. NO. 100471

VICTOR BUSINESS PRODUCTS  
 CPU SCHEMATIC



6

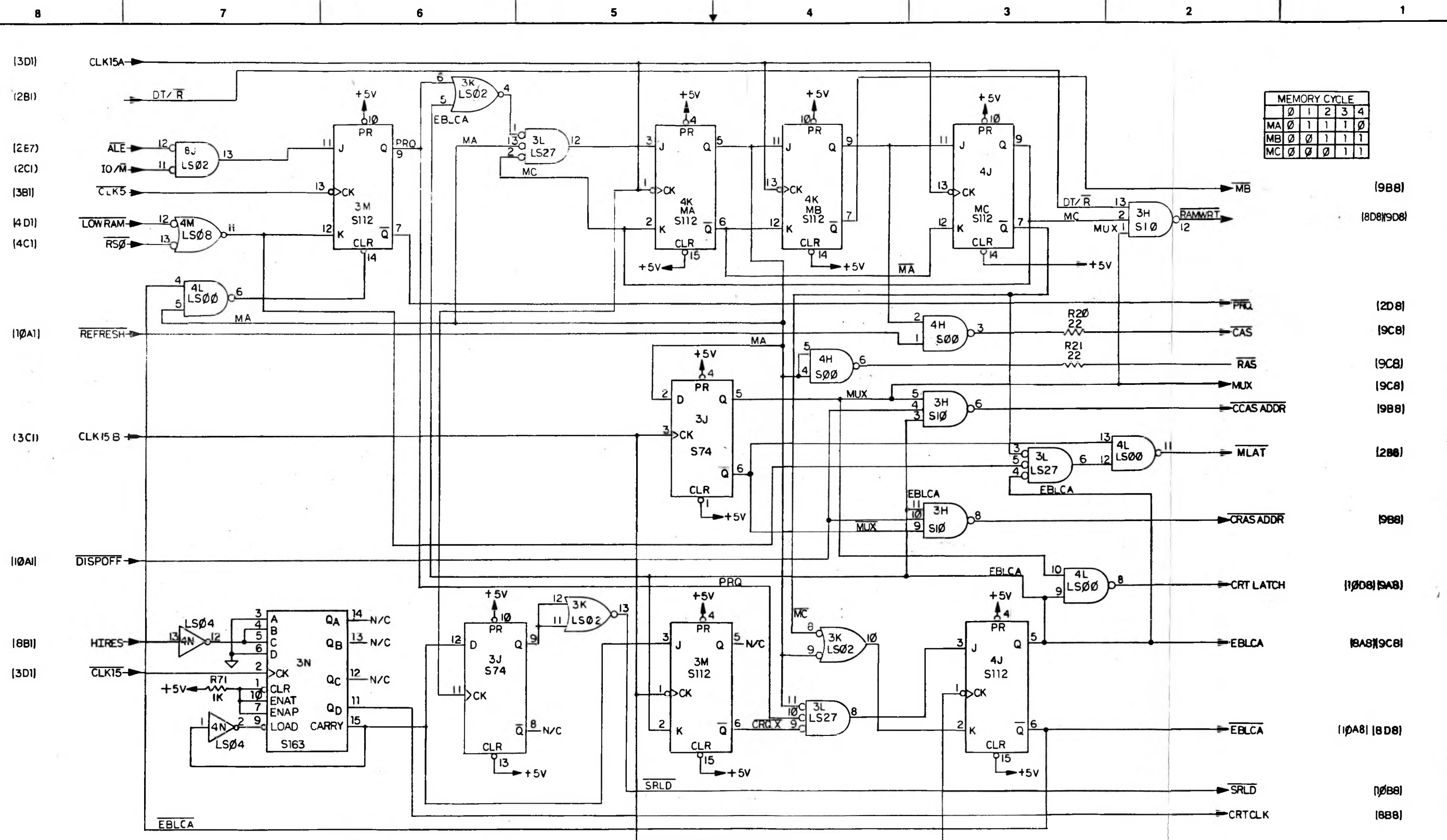


# IEEE CENTRONICS INTERFACE

SHT. 6 OF 14 REV. H  
 DWG. NO. 100471

VICTOR BUSINESS PRODUCTS  
 CPU SCHEMATIC

7



MEMORY CYCLE					
	0	1	2	3	4
MA	0	1	1	1	0
MB	0	0	1	1	1
MC	0	0	0	1	1

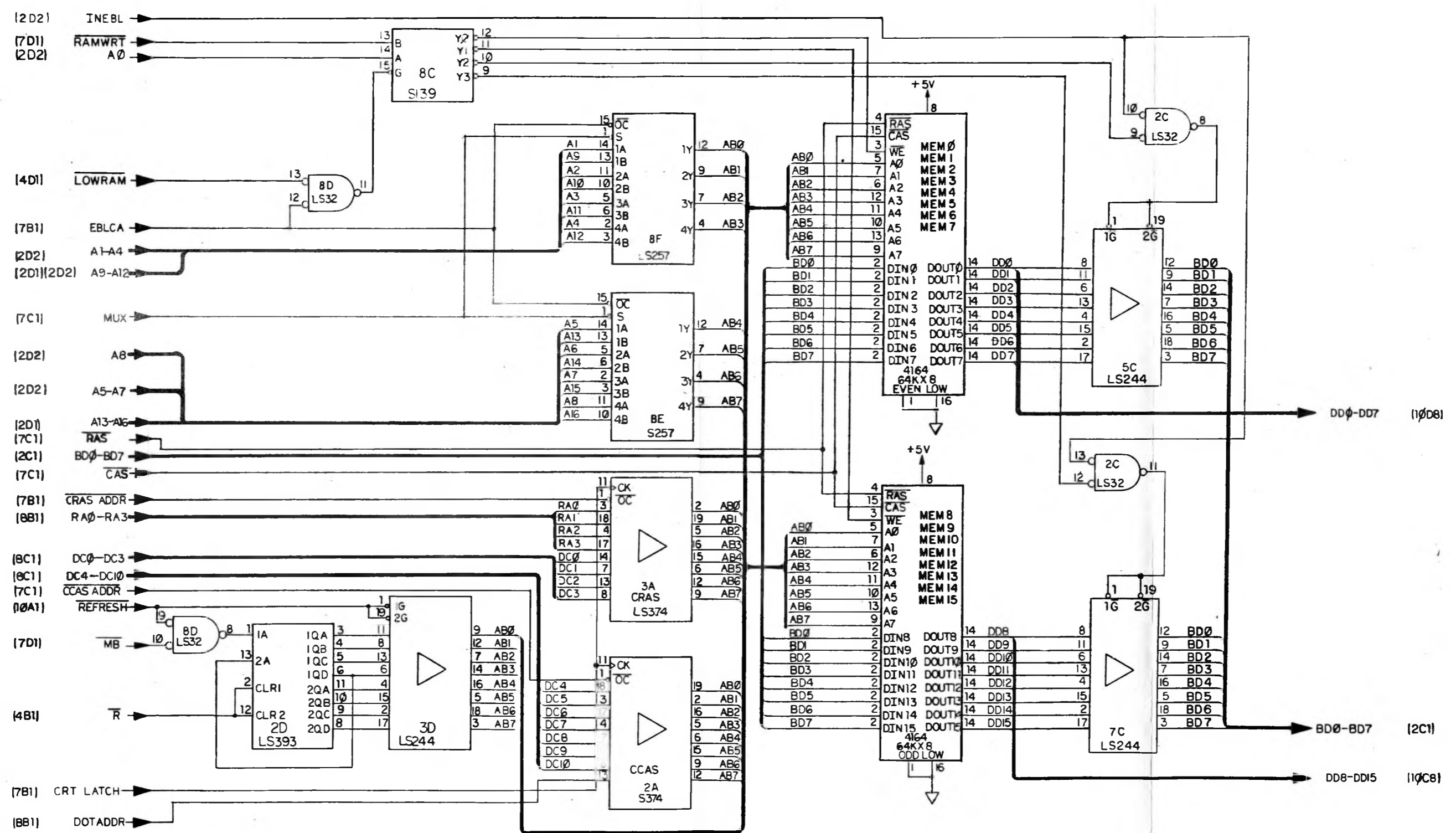
CRT CYCLE HIRES										
	3	4	5	6	7	8	9	0	1	2
CA	0	1	0	1	0	1	0	1	0	1
CB	0	0	1	1	0	0	1	1	1	1
CC	0	0	0	0	1	1	1	1	1	1
CD	1	1	1	1	1	1	1	1	1	0

CRT CYCLE HIRES																
	9	10	11	12	13	14	15	0	1	2	3	4	5	6	7	8
CA	0	1	0	1	0	1	0	1	0	1	0	1	0	1	0	1
CB	0	0	1	1	0	0	1	1	0	0	1	1	0	0	1	1
CC	0	0	0	0	1	1	1	1	0	0	0	0	0	1	1	1
CD	1	1	1	1	1	1	1	1	0	0	0	0	0	0	0	0

# CONTROL SIGNALS



9



# SYSTEM MEMORY

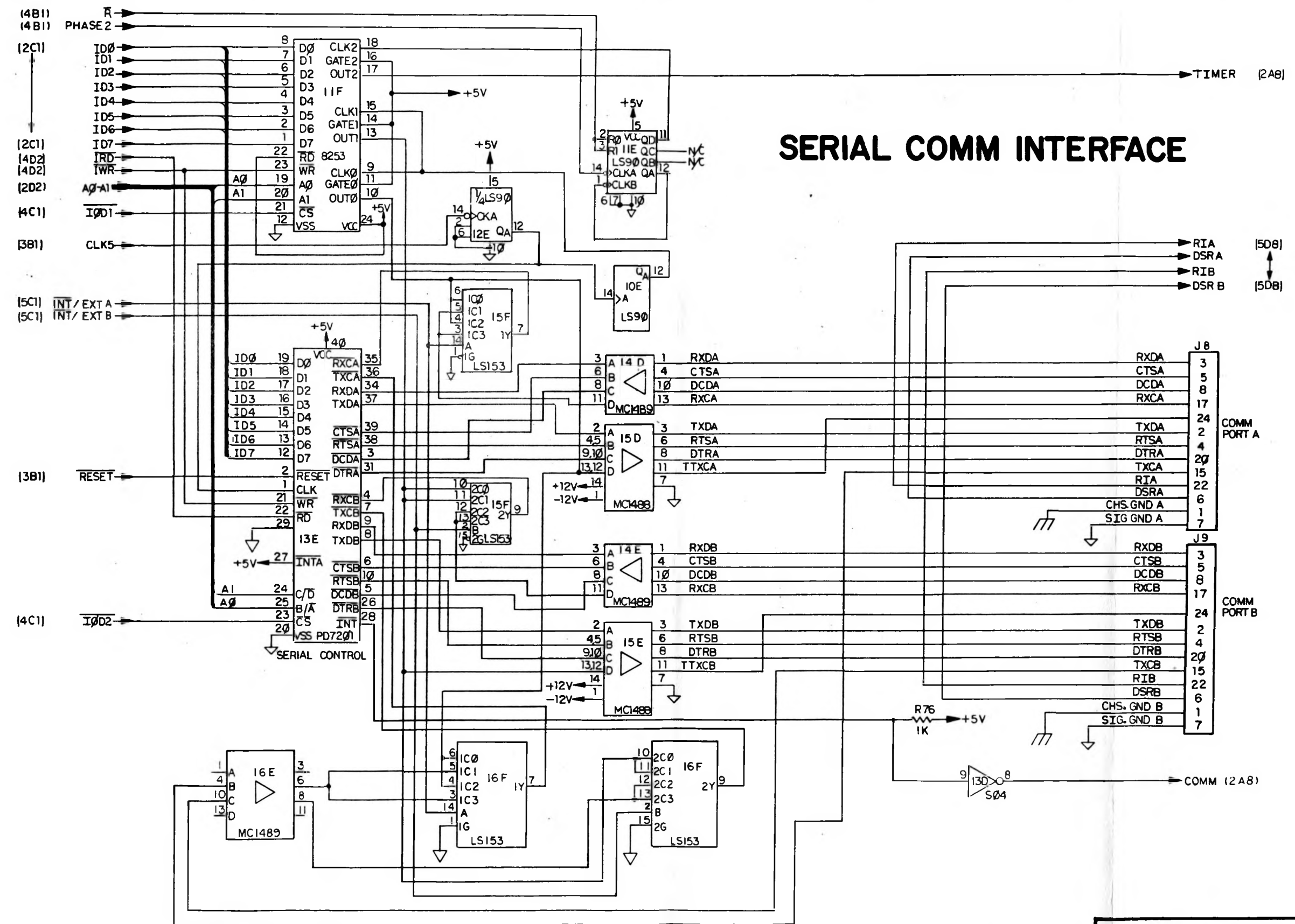
SHT. 9 OF 14 REV. H  
 DWG. NO. 100471

VICTOR BUSINESS PRODUCTS  
 CPU SCHEMATIC



11

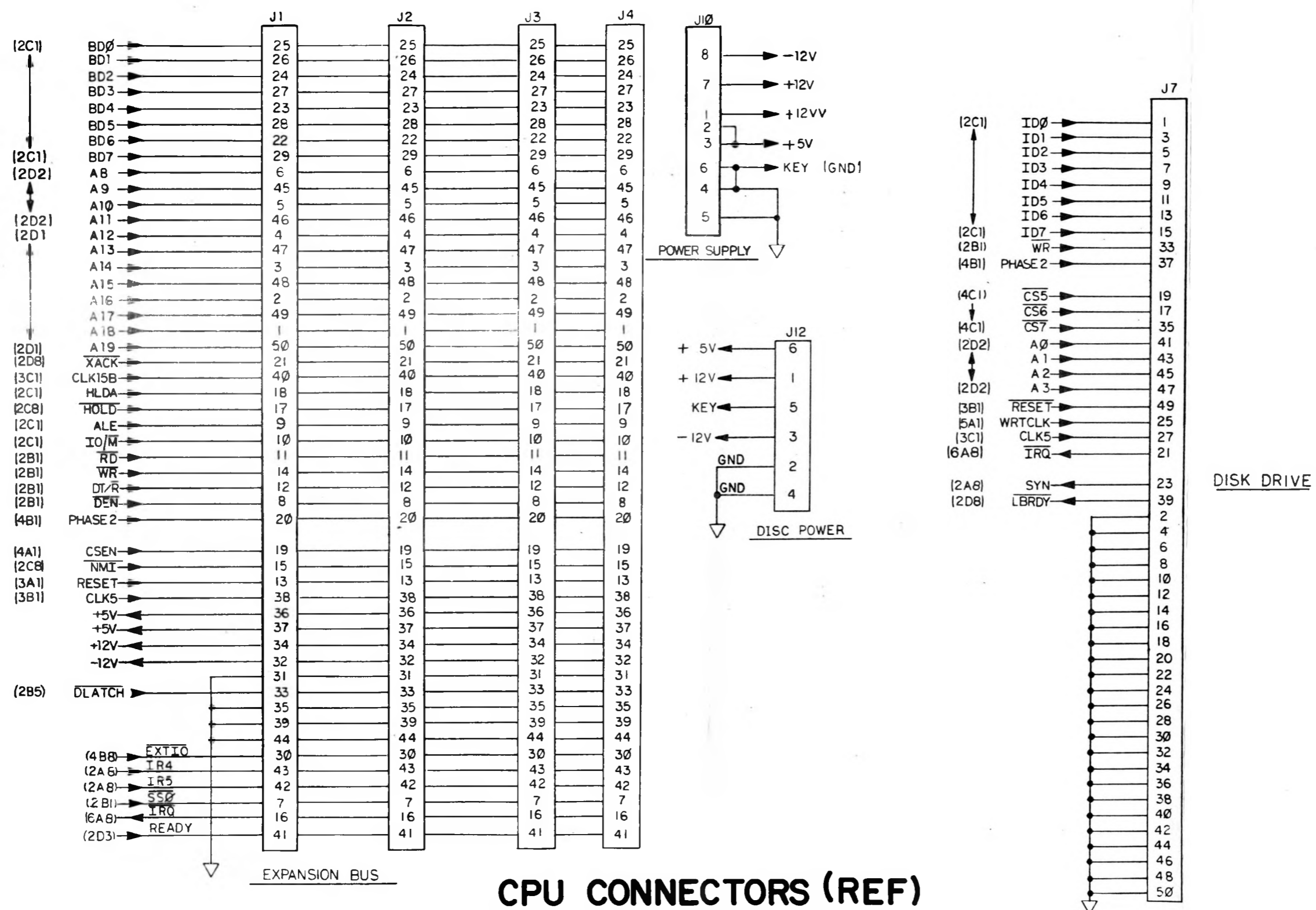
# SERIAL COMM INTERFACE



SHT. 11 OF 14 REV. H  
 DWG. NO. 100471

VICTOR BUSINESS PRODUCTS  
 CPU SCHEMATIC





# CPU CONNECTORS (REF)

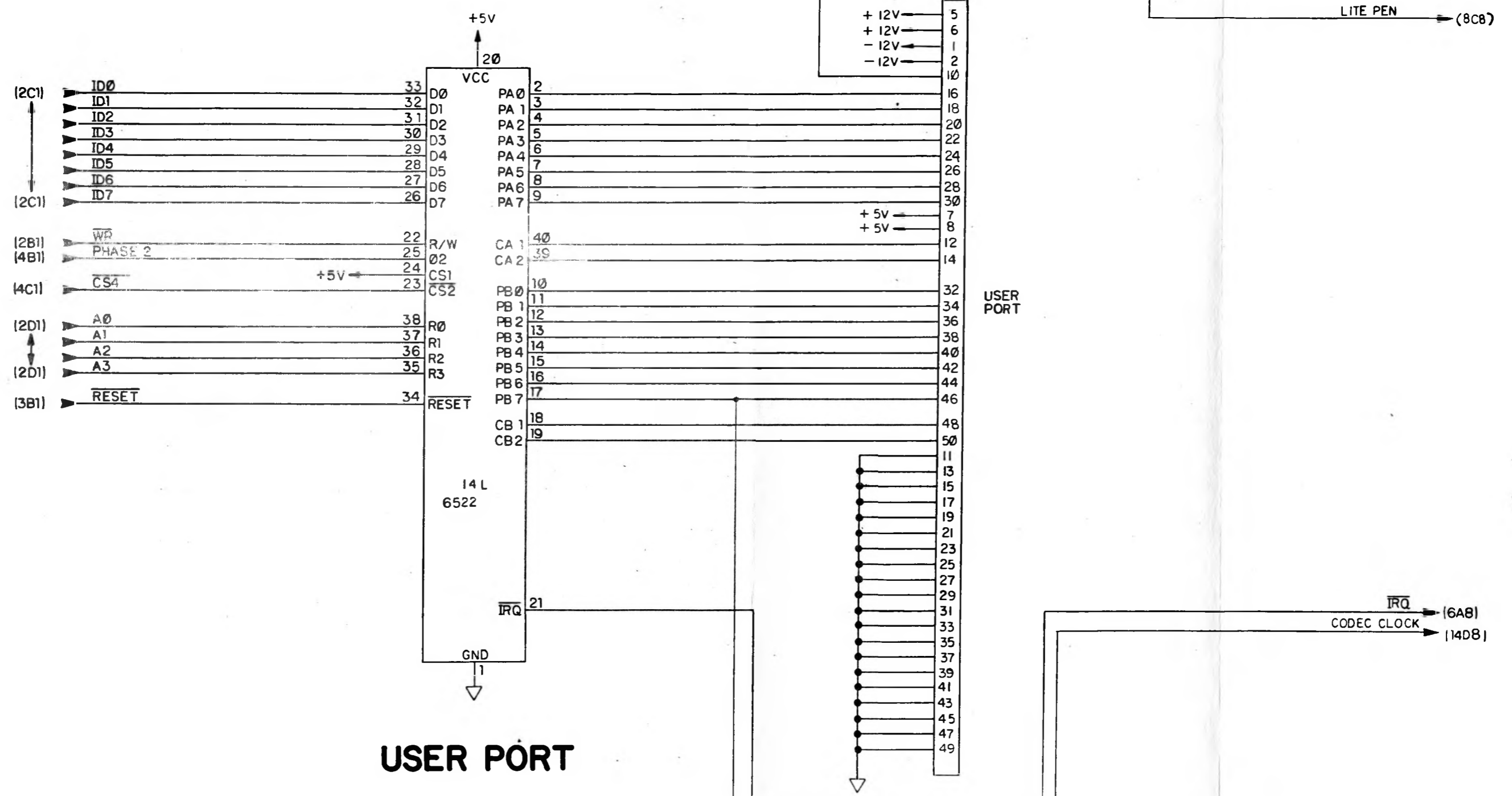
8 7 6 5 4 3 2 1

D

C

B

A

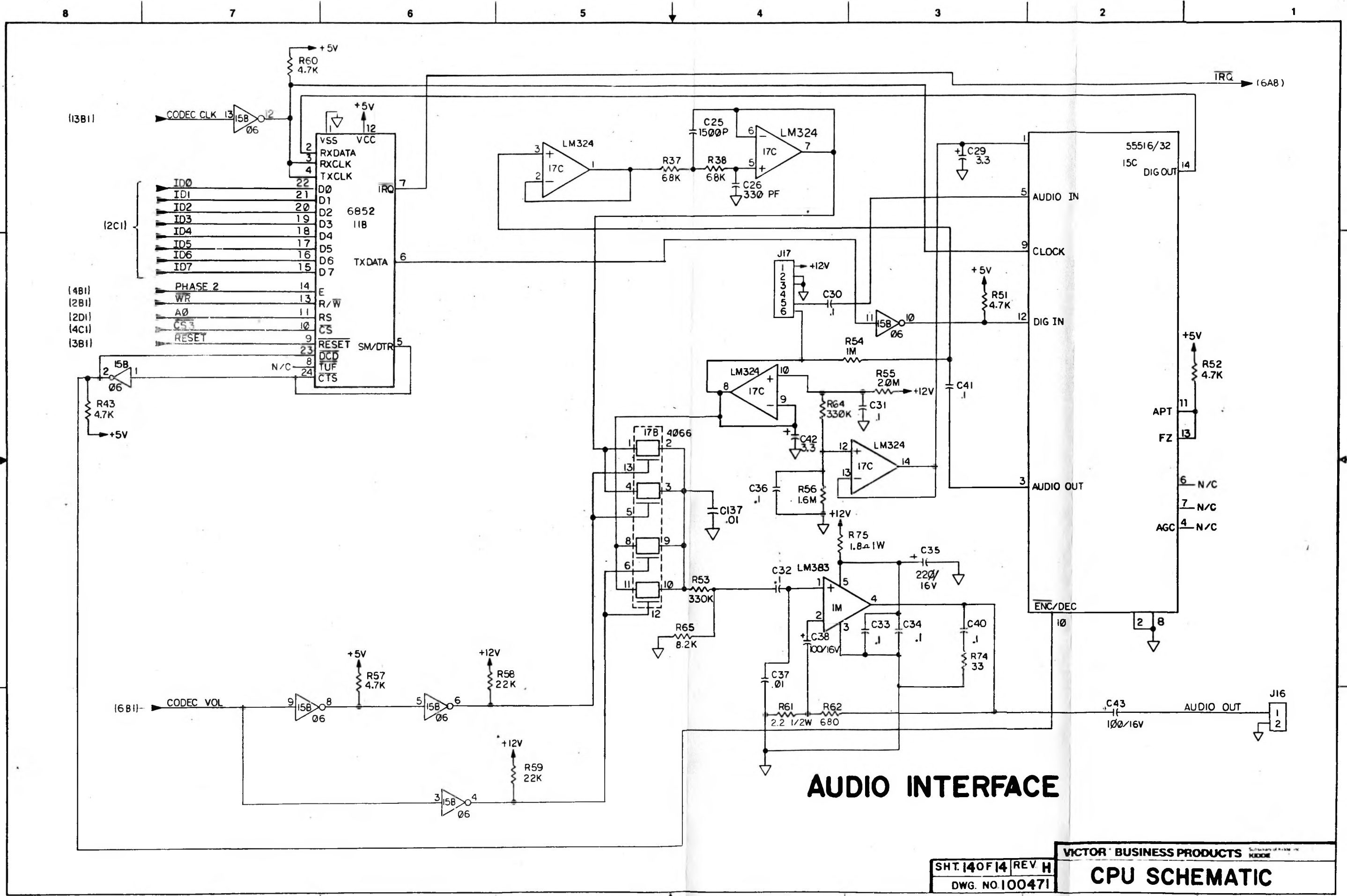


USER PORT

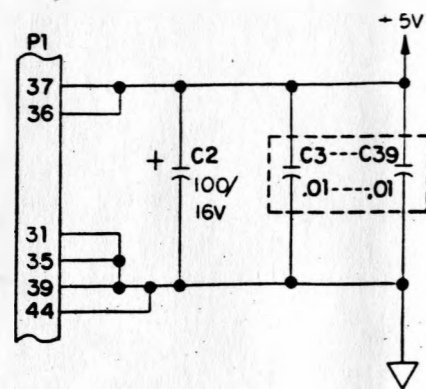
SHT. 13 OF 14 REV. H  
DWG. NO. 100471

VICTOR BUSINESS PRODUCTS  
CPU SCHEMATIC

8 7 6 5 4 3 2 1



# AUDIO INTERFACE

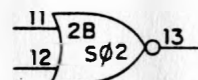


## POWER & SPARES

NOTES: UNLESS OTHERWISE SPECIFIED

1. ELECTRICAL VALUES ARE IN OHMS, MICROFARADS, AND MICROHENRIES.
2. ALL RESISTORS ARE  $\pm 5\%$ , 1/4W
3. ALL INTEGRATED CIRCUITS ARE SN74 SERIES.
4. IC PINS ARE , GND=7, +5V=14

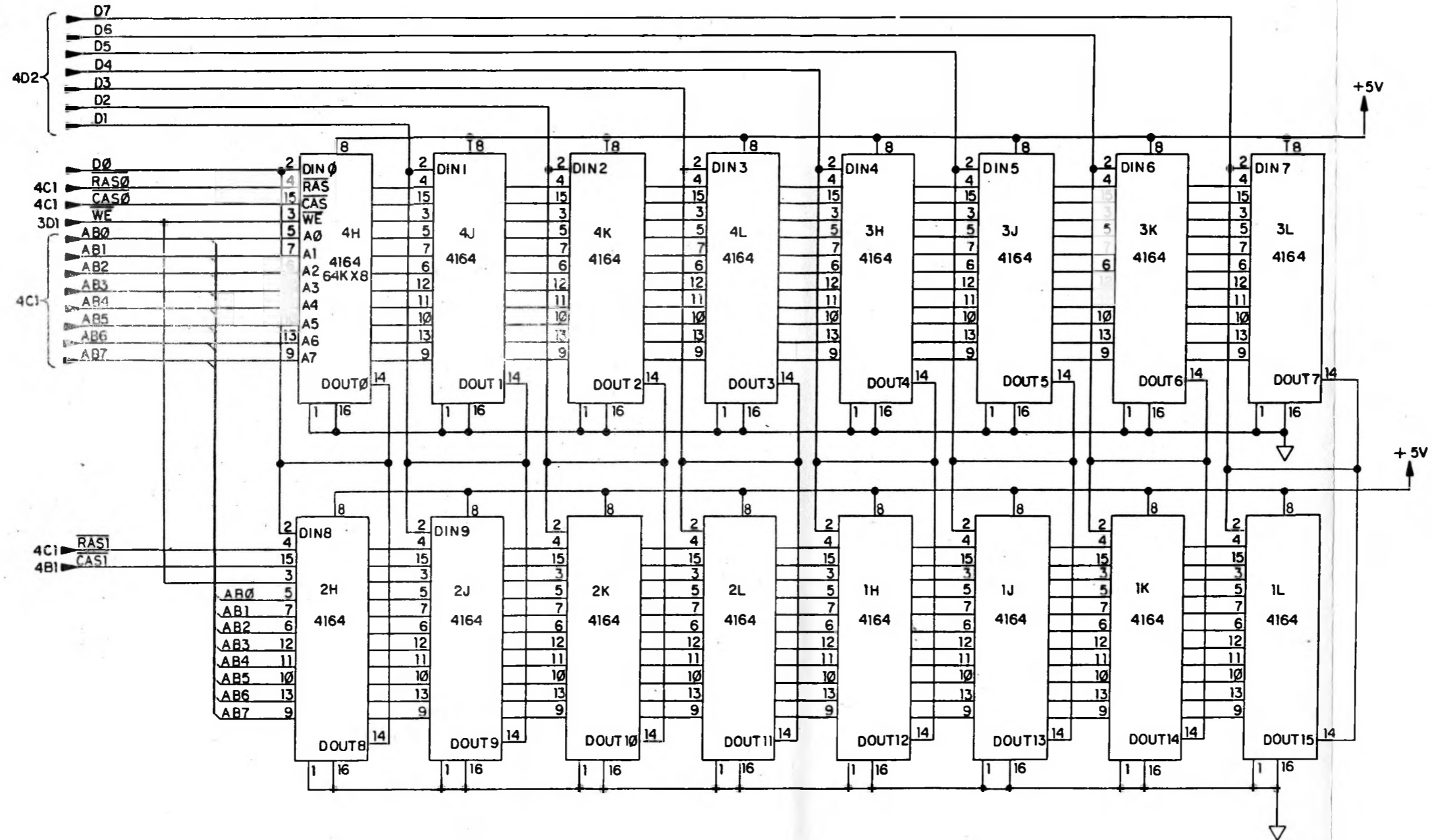
IC TYPE	GND	+ 5V
74LS138	8	16
74LS139	8	16
74LS153	8	16
74LS157	8	16
74LS174	8	16
74LS175	8	16
74LS245	10	20
74LS373	10	20
4164	16	8



SPARE GATES

SHT. 1 OF 4 REV. P1  
DWG. NO. 100901

VICTOR BUSINESS PRODUCTS  
128K MEMORY SCHEMATIC

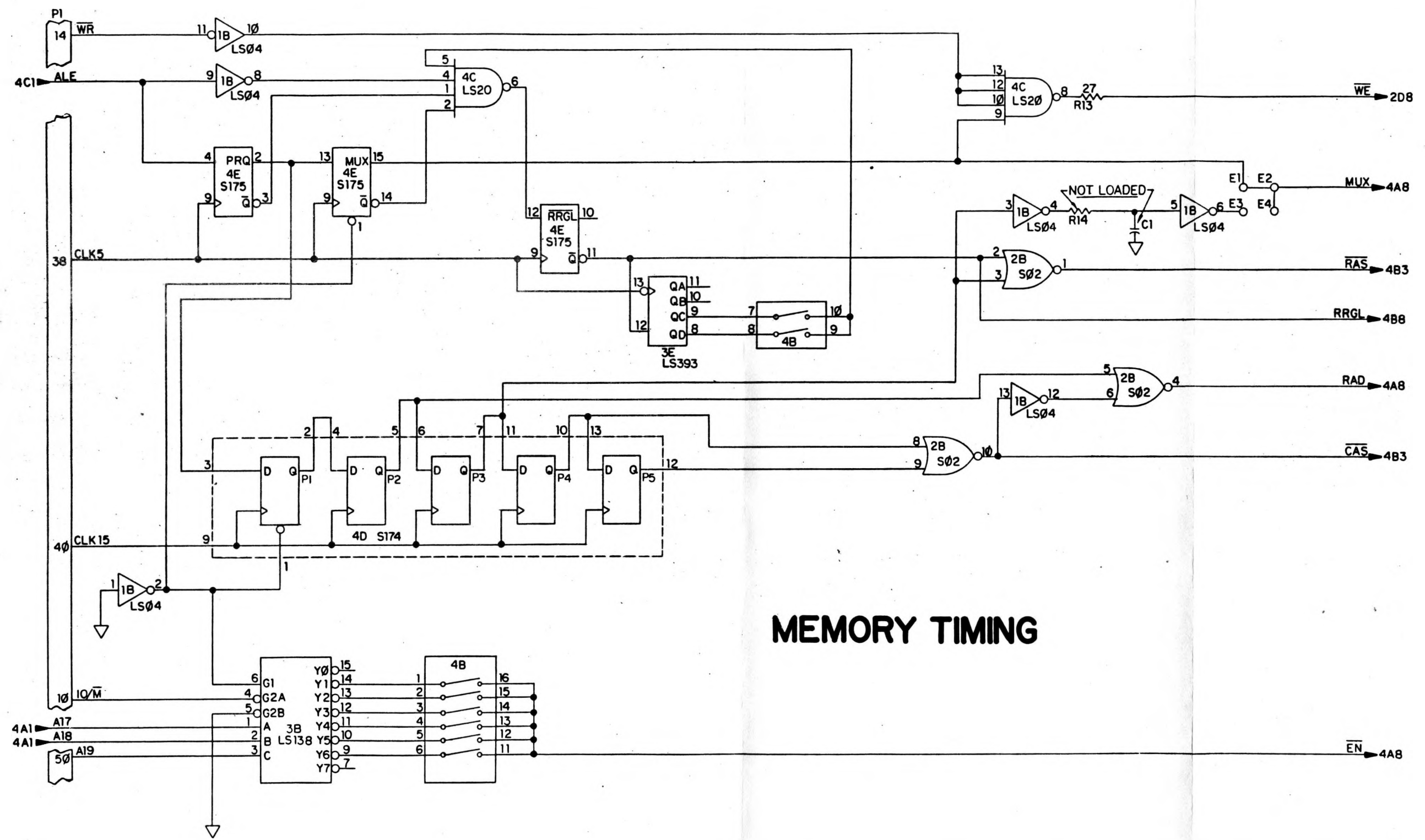


# DYNAMIC RAMS

SHT. 2 OF 4 REV P1  
DWG. NO. 100901

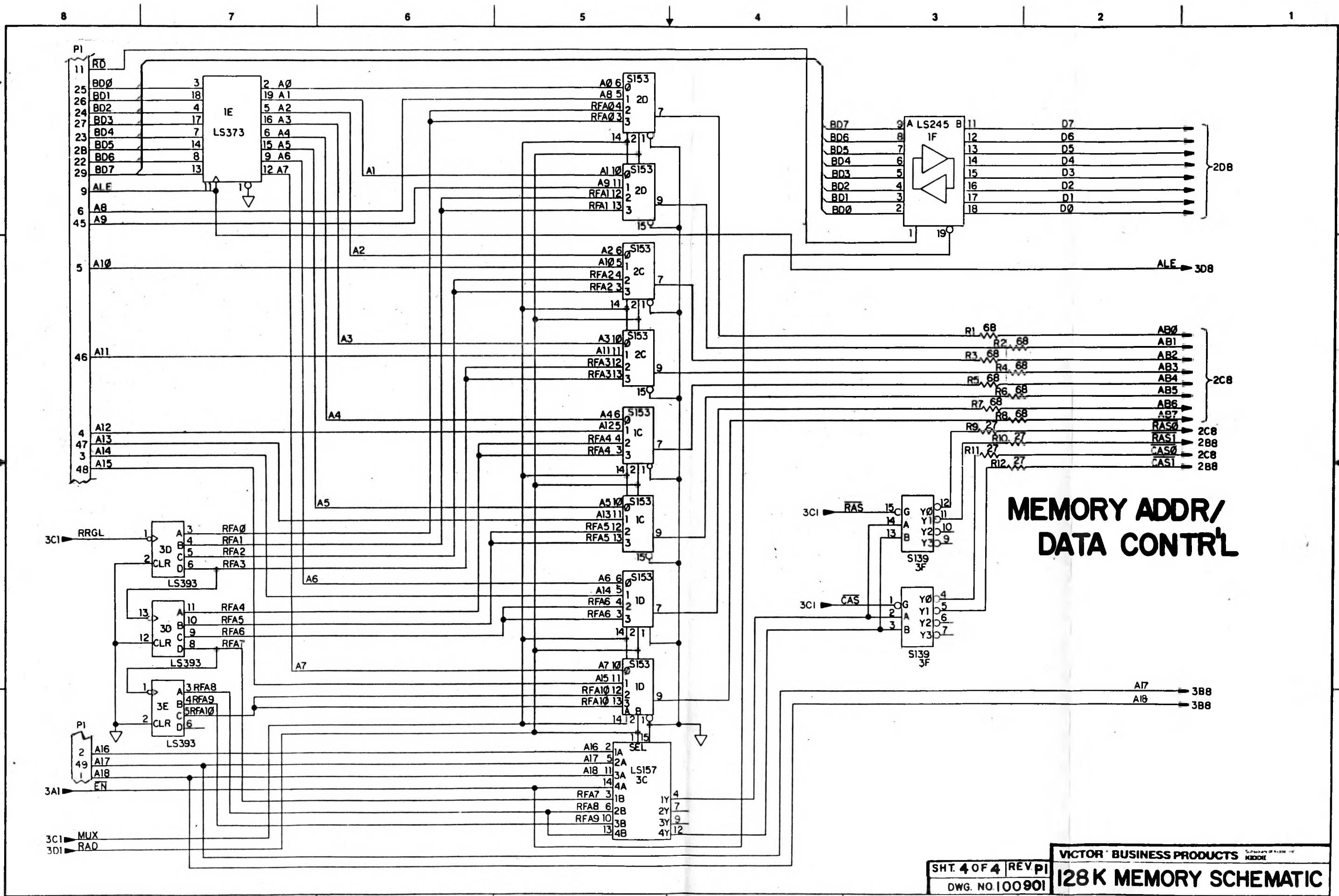
VICTOR BUSINESS PRODUCTS  
128K MEMORY SCHEMATIC

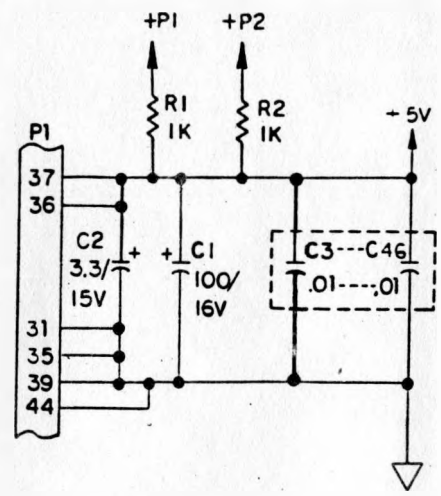
8 7 6 5 4 3 2 1



# MEMORY TIMING

8 7 6 5 4 3 2 1



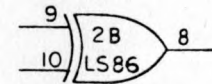
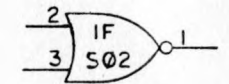
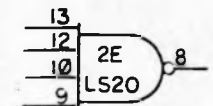
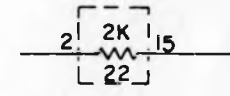


NOTES: UNLESS OTHERWISE SPECIFIED

1. ELECTRICAL VALUES ARE IN OHMS, MICROFARADS, AND MICROHENRIES.
2. ALL RESISTORS ARE  $\pm 5\%$ , 1/4W
3. ALL INTEGRATED CIRCUITS ARE SN74 SERIES.
4. IC PINS ARE , GND=7, +5V=14

IC TYPE	GND	+ 5V
74LS138	8	16
74 S153	8	16
74LS157	8	16
74 S174	8	16
74 S175	8	16
74LS245	10	20
74LS373	10	20
4164	16	8 (REF)

## POWER & SPARES

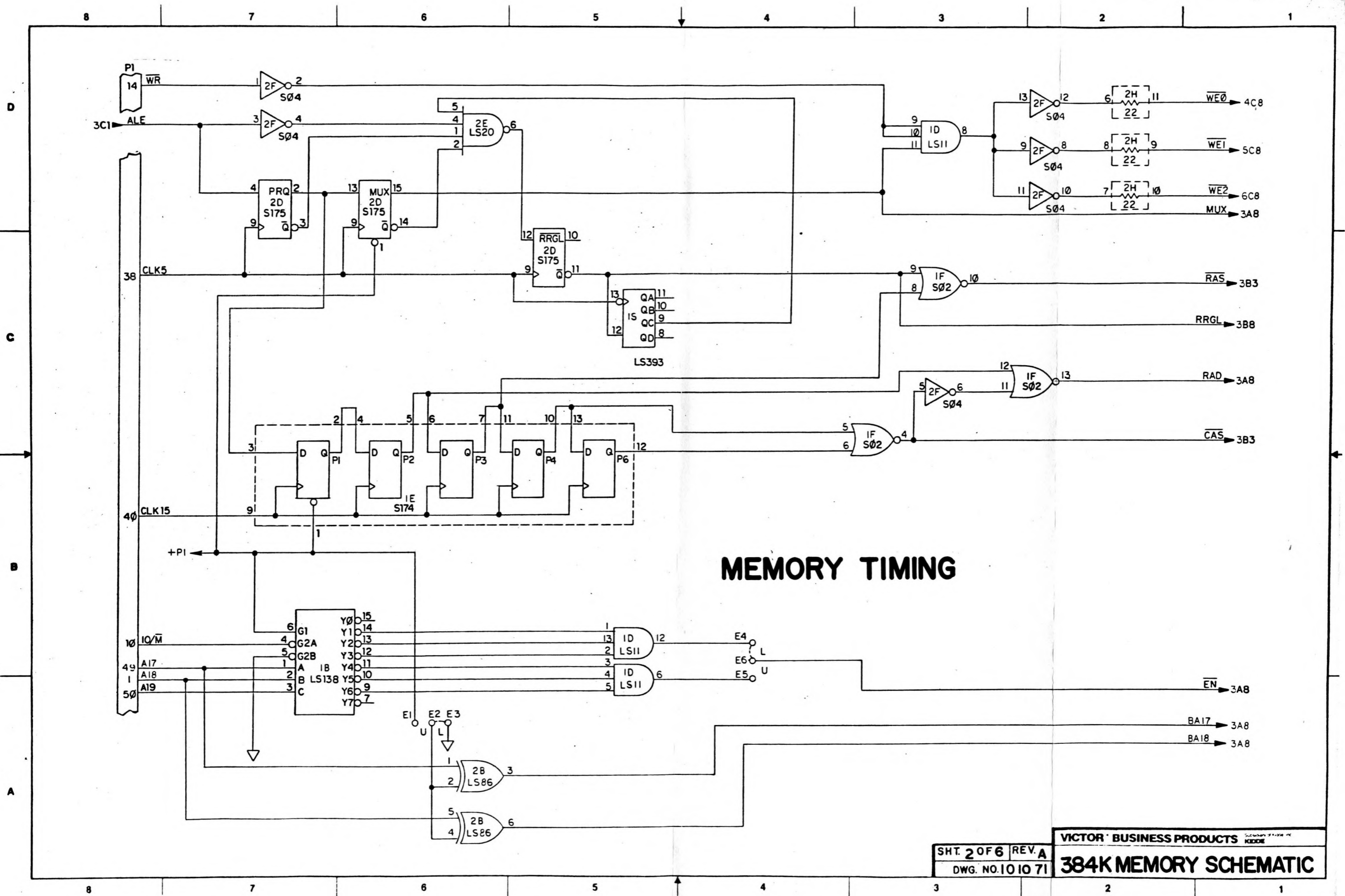


SPARE GATES

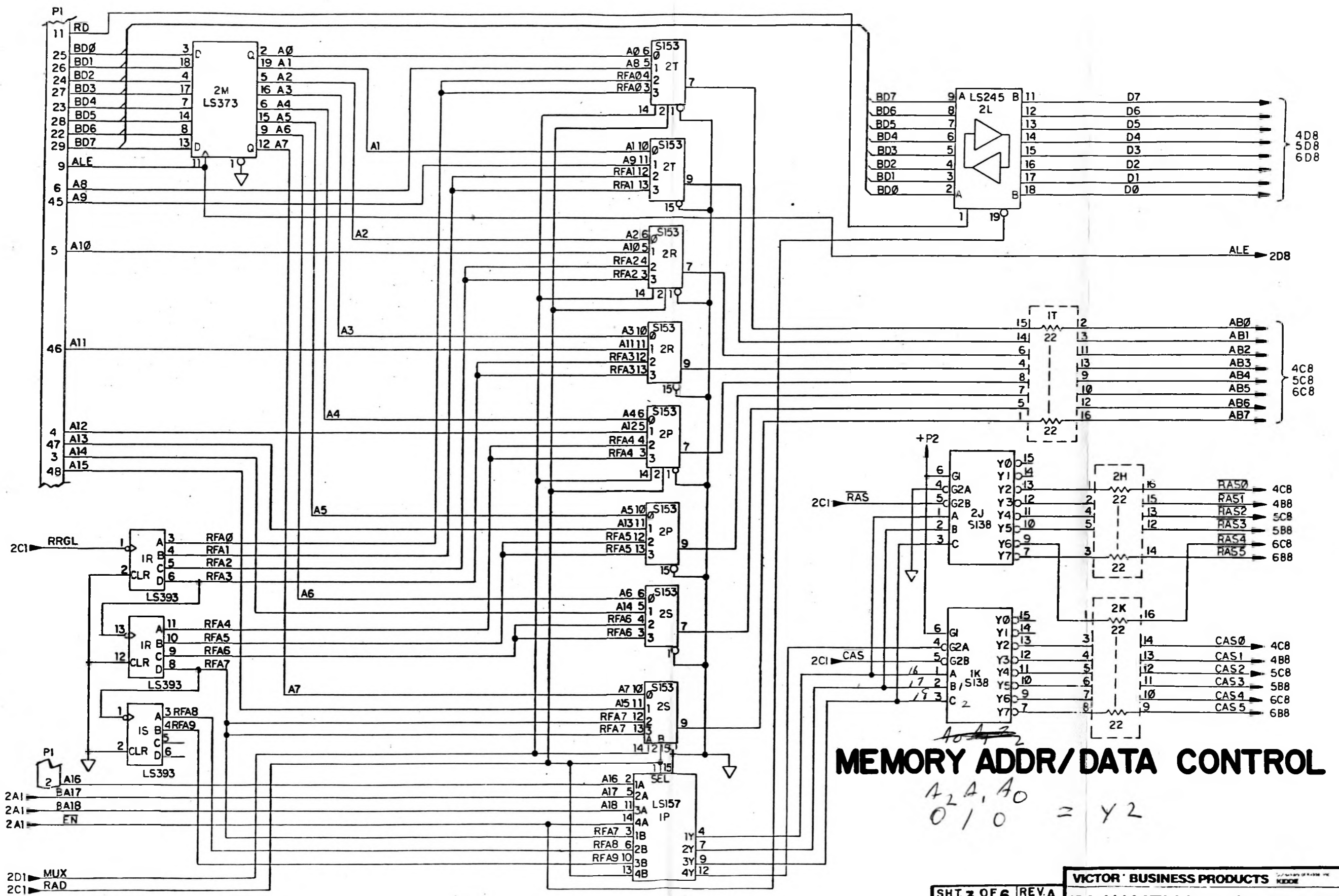
SHT. 1 OF 6 REVA  
DWG. NO 10 10 71

VICTOR BUSINESS PRODUCTS  
**384K MEMORY SCHEMATIC**



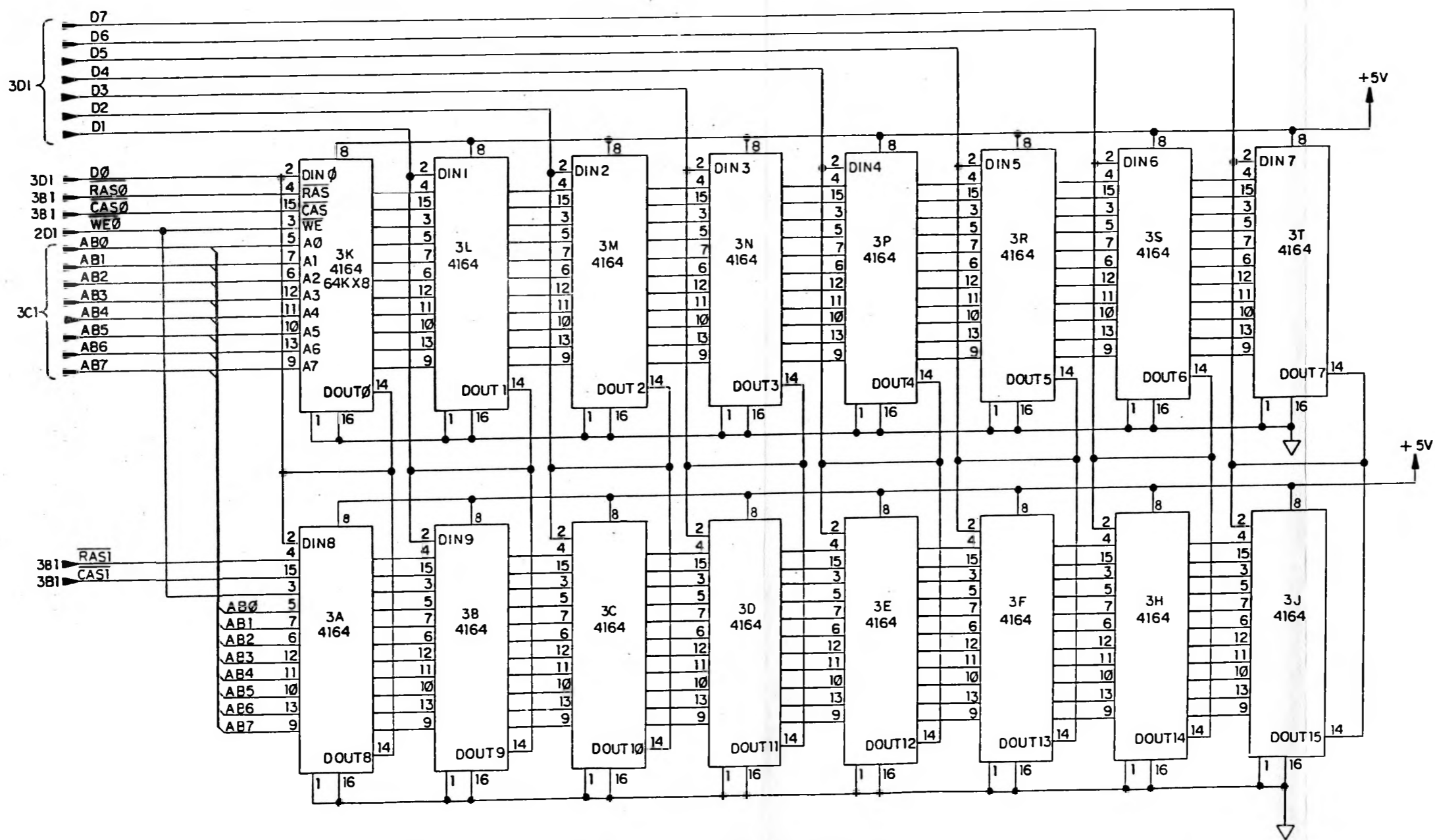


# MEMORY TIMING

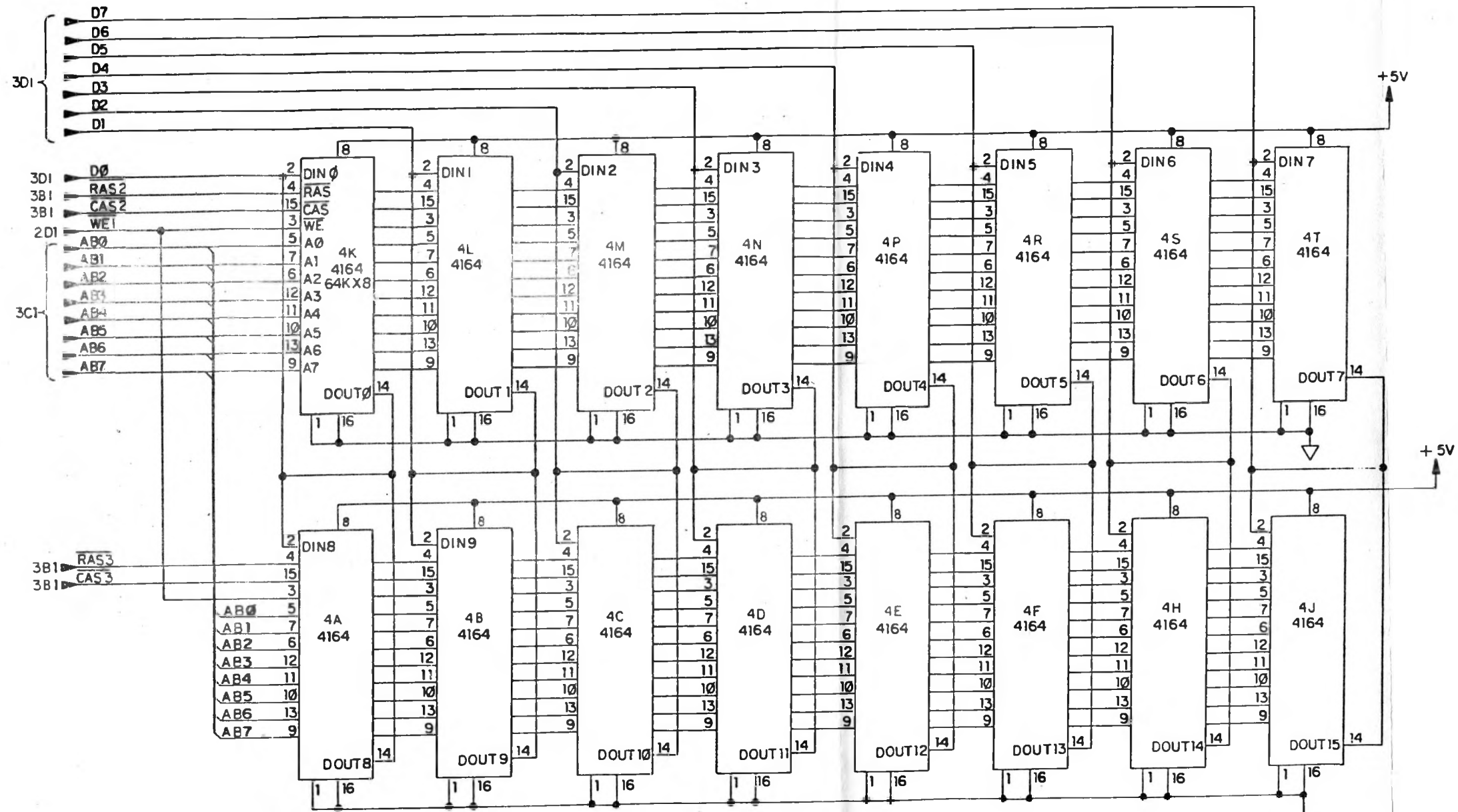


# MEMORY ADDR/DATA CONTROL

*A<sub>2</sub>A<sub>1</sub>A<sub>0</sub>*  
*010 = Y2*



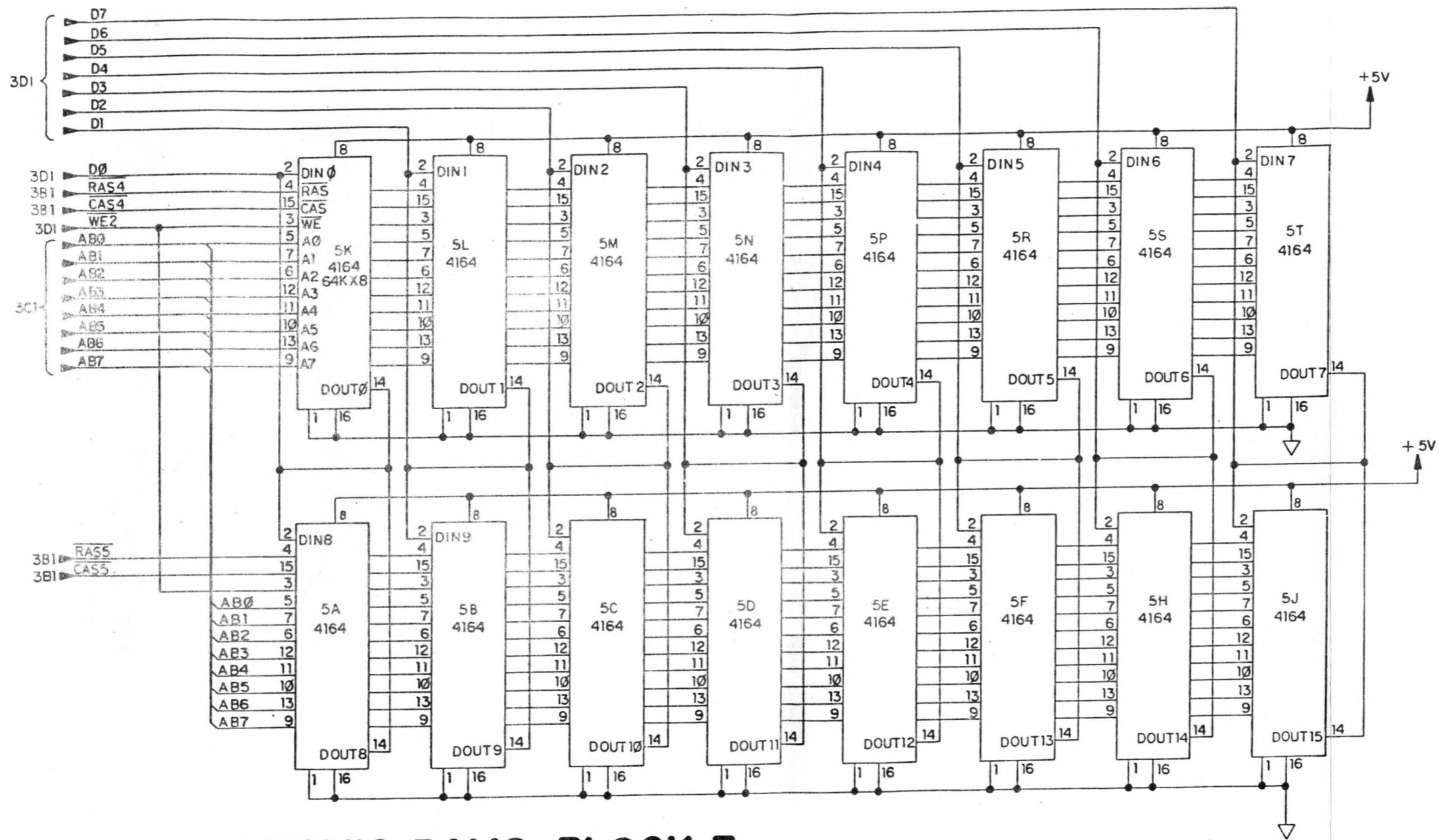
# DYNAMIC RAMS, BLOCK I



## DYNAMIC RAMS, BLOCK 2

SHT. 5 OF 6 REV. A  
DWG. NO. 101071

VICTOR BUSINESS PRODUCTS  
384K MEMORY SCHEMATIC



### DYNAMIC RAMS, BLOCK 3

SHT. 6 OF 6 REV. A  
 DWG. NO. 10 1071

VICTOR BUSINESS PRODUCTS  
**384K MEMORY SCHEMATIC**