

**WANG**

3401

## **2246C WORKSTATION**

**Customer Engineering  
Product Maintenance Manual**

**729-1433**

## PREFACE

This document consists of an illustrated part breakdown (IPB) for the 2246C Workstation. Its purpose is to provide the Wang-trained Customer Engineer (CE) with exploded view illustrations for identification and proper disassembly representations and a corresponding parts list for part ordering.

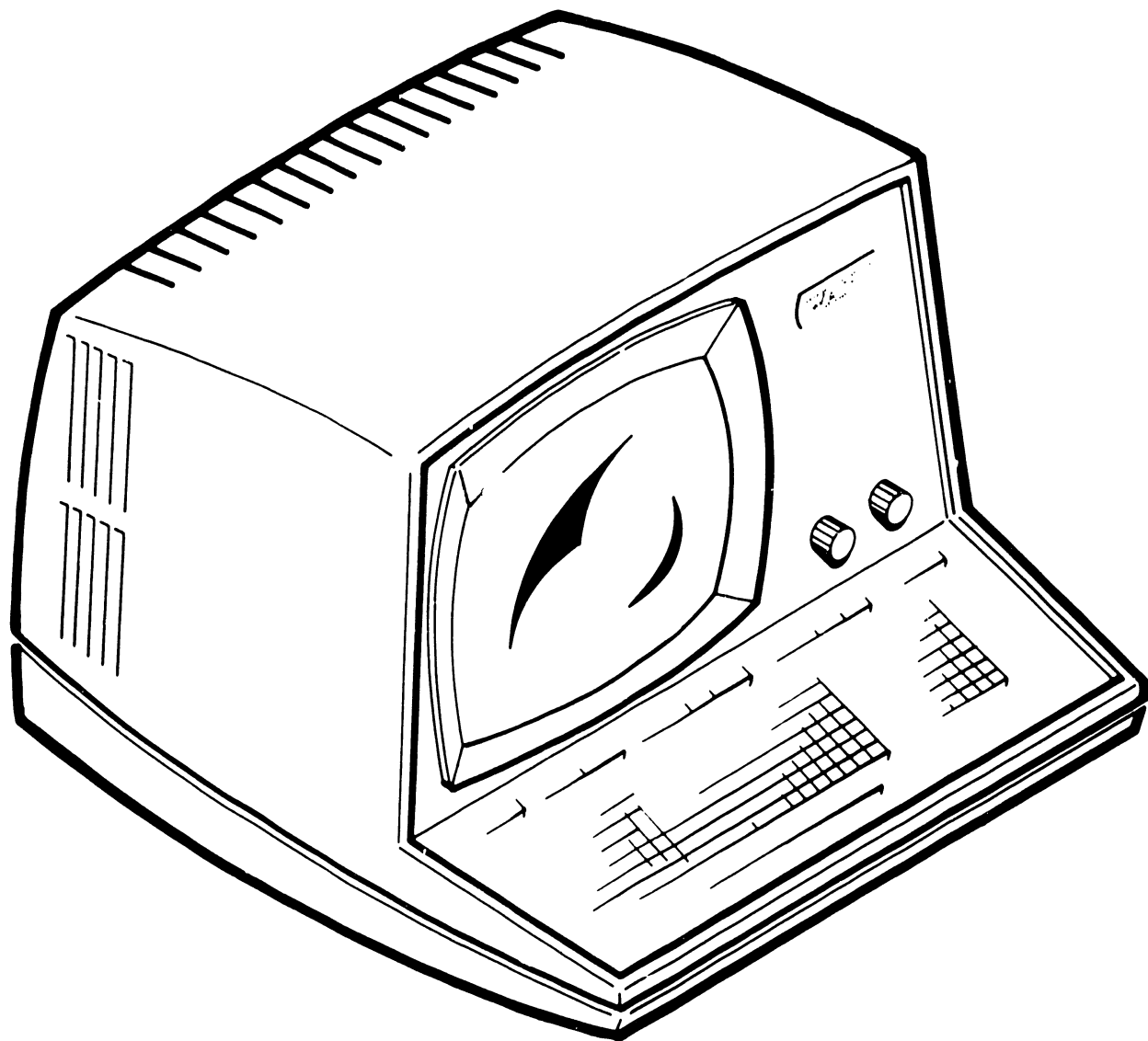
The IPB section contained herein will subsequently be followed by a standard Product Maintenance Manual (PMM) for the 2246C Workstation. The standard PMM will include an introduction, Theory of Operation, Preventive Maintenance, a full set of schematics and related appendices. The standard PMM will be updated on a regular schedule.

First Edition (January, 1984)

The material in this document may only be used for the purpose stated in the preface. Updated and/or changed to this document will be published as Product Service Notices (PSN's) or subsequent editions.

This document is the property of Wang Laboratories, Inc. All information contained herein is considered company proprietary information, and its use is prohibited without the prior consent of Wang Laboratories Inc.

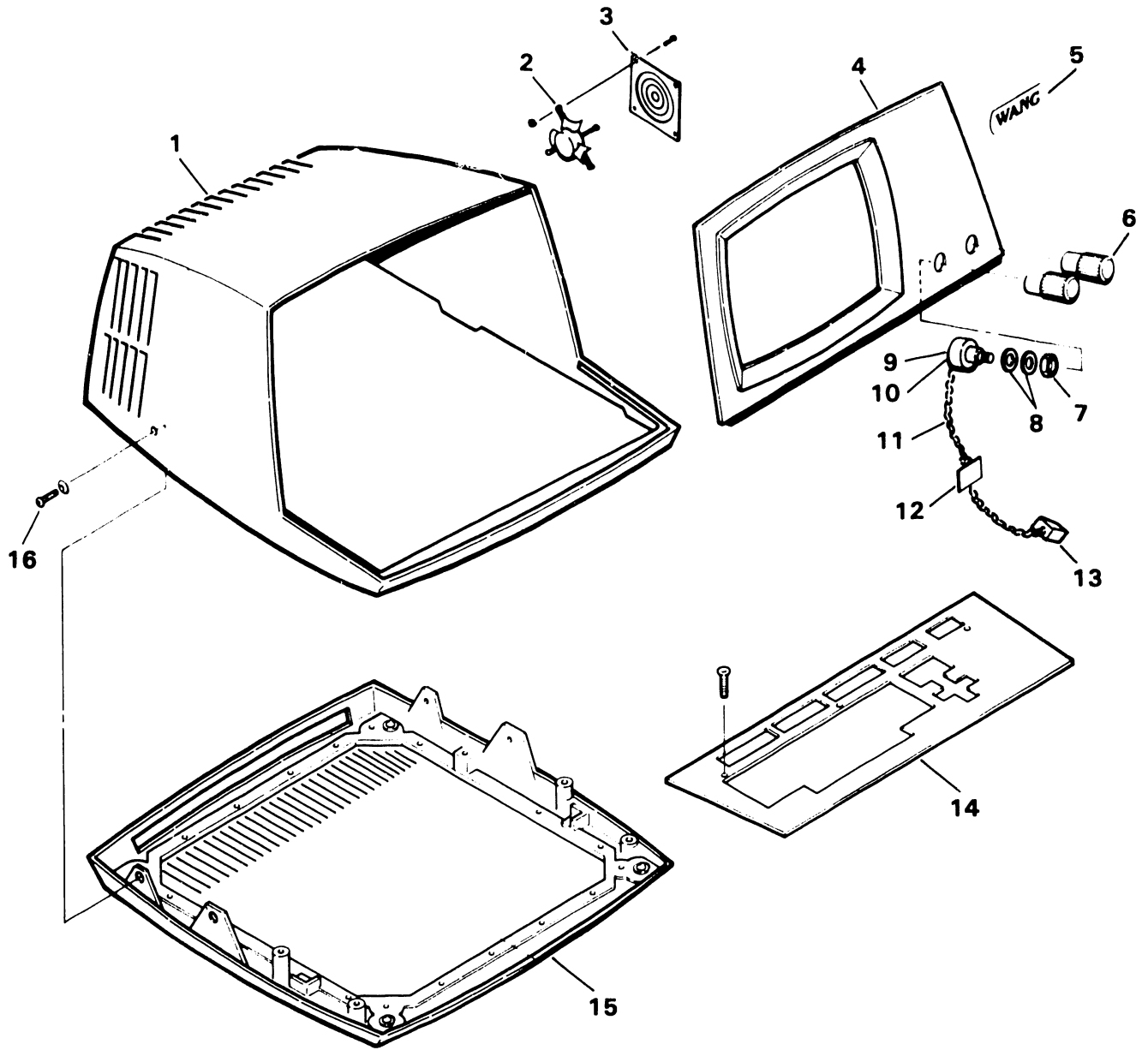
© Copyright Wang Labs, Inc., 1984



**FIGURE 1 FRONTISPIECE (ASSEMBLY PART NO. 177-22VS47)**

## EXTERNAL COVERS ASSEMBLY

| ITEM NO. | PART NO.    | DESCRIPTION               |
|----------|-------------|---------------------------|
| 1        | 449-0460    | CVR MACHING CLOSED VENT   |
| 2        | 400-1009-11 | SKLTN 115V 50/60 HZ 50CFM |
| 3        | 449-0101-9  | FAN GUARD 4" (WHITE)      |
| 4        | 449-0459    | 12" CRT BEZEL             |
| 5        | 449-0548    | PLATE LOGO WKSTN          |
| 6        | 655-0157    | KNOB ALCO                 |
| 7        | 652-0036    | NUT SM. PAT. 3/8"-32      |
| 8        | 653-0022    | WASHER 3/8" INT. TH.      |
| 9        | 336-0032    | BRIGHTNESS POT            |
| 10       | 336-0035    | CONTRAST POT              |
| 11       | 220-0160    | CABLE                     |
| 12       | 654-1274    | CABLE CLAMP ADH. BACK     |
| 13       | 654-1185    | SOCKET                    |
| 14       | 452-1092    | FINISHING PLATE           |
| 15       | 279-1026    | BASE ASSEMBLY             |
| 16       | 650-4105    | 10-32x11/8 TRUSS HD PHL   |



**FIGURE 2 EXTERNAL COVERS ASSEMBLY**

12" MONITOR ASSEMBLY (ASSEMBLY PART NO. 270-0372)

| ITEM NO. | PART NO. | DESCRIPTION                    |
|----------|----------|--------------------------------|
| 1        | 451-3857 | SIDE PANEL (R.H.)              |
| 2        | 651-0037 | #8x3/8" SLTD HEX S.T. SCREW    |
| 3        | 279-0526 | POWER SUPPLY W/REG BD (TESTED) |
| 4        | 615-0412 | FISH PAPER 2x2                 |
| 5        | 465-1643 | GROUNDING SPRING               |
| 6        | 651-0037 | #8x3/8" SLTD HEX S.T. SCREW    |
| 7        | 654-1184 | 6 POSITION HOUSING CONNECTOR   |
| 8        | 651-0037 | #8x3/8" SLTD HEX S.T. SCREW    |
| 9        | 451-4473 | SUPPORT BRACKET                |
| 10       | 651-0053 | #10x3/8" HEX S.T. SCREW        |
| 11       | 340-0108 | CRT                            |
| 12       | 271-1247 | KEYBOARD C MICRO NG            |
| 13       | 270-3092 | DEFLECTION YOKE                |
| 14       | 451-1100 | CHASSIS, CRT                   |
| 15       | 650-3120 | 6-32x3/8" SEMS SCREW           |
| 16       | 320-0300 | SPEAKER 3" 8 OHM               |
| 17       | 652-0032 | 6-32 LOCKNUT KEPS              |
| 18       | 451-1121 | CHASSIS, 12"                   |
| 19       | 451-3856 | SIDE PANEL (L.H.)              |
| 20       | 650-2087 | 4-40x1/4" SEMS SCREW           |
| 21       | 654-1274 | CABLE CLAMP ADH. BACK          |
| 22       | 452-4042 | CARD GUIDE                     |
| 23       | 462-0413 | SPACERS                        |
| 24       | 270-3104 | FLYBACK TRANSFORMER ASSEMBLY   |
| 25       | 380-3011 | 20KV DIODE                     |
| 26       | 350-2073 | ANODE CONNECTOR                |
| 27       | 451-4472 | NECKSAVER BRACKET              |
| 28       | 478-0448 | NECKSAVER BRACKET INSULATOR    |
| 29       | 651-0037 | #8x3/8" SLTD HEX S.T. SCREW    |
| 30       | 210-7456 | PCA 12" MONITOR ELEC.          |

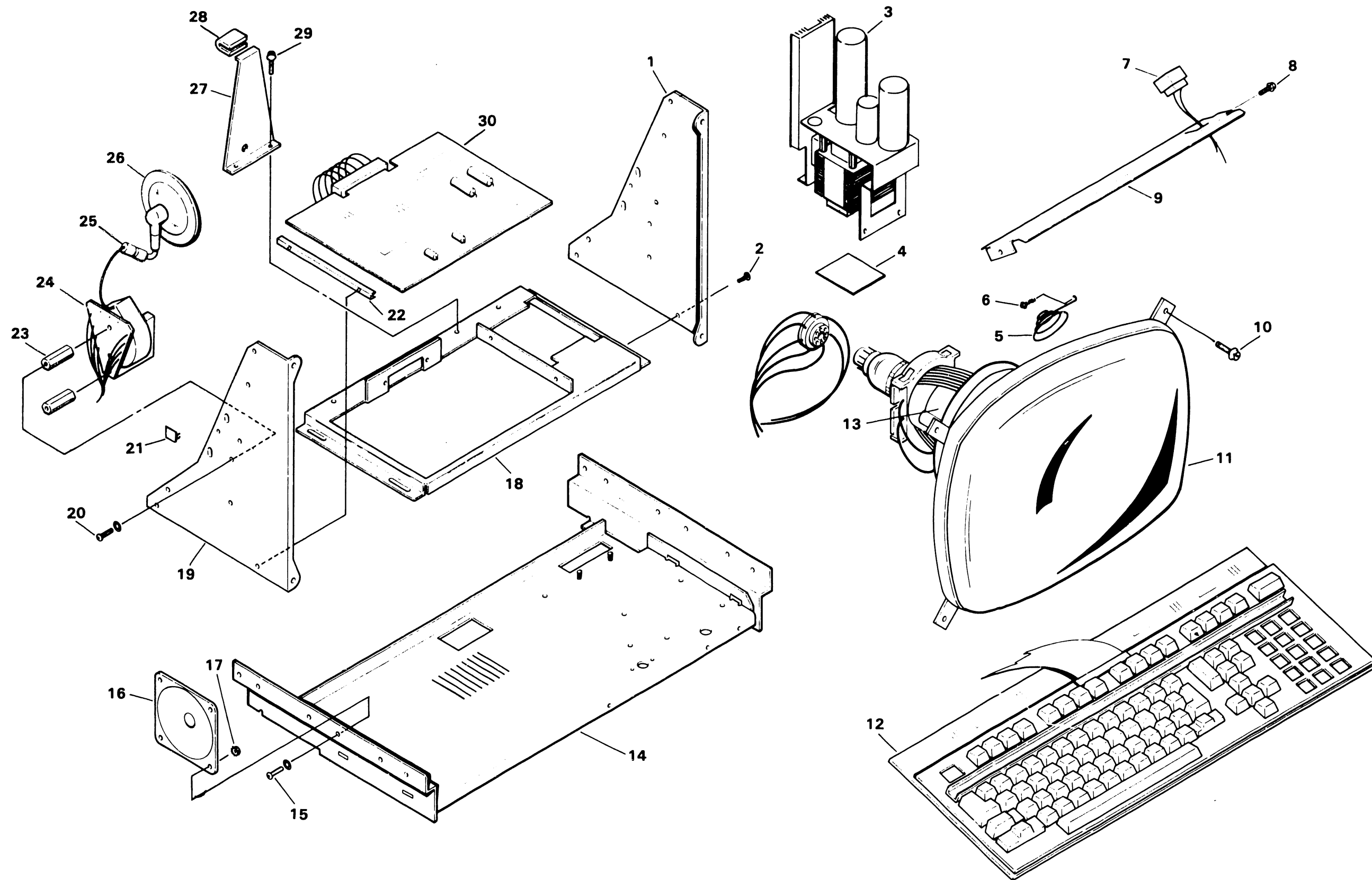
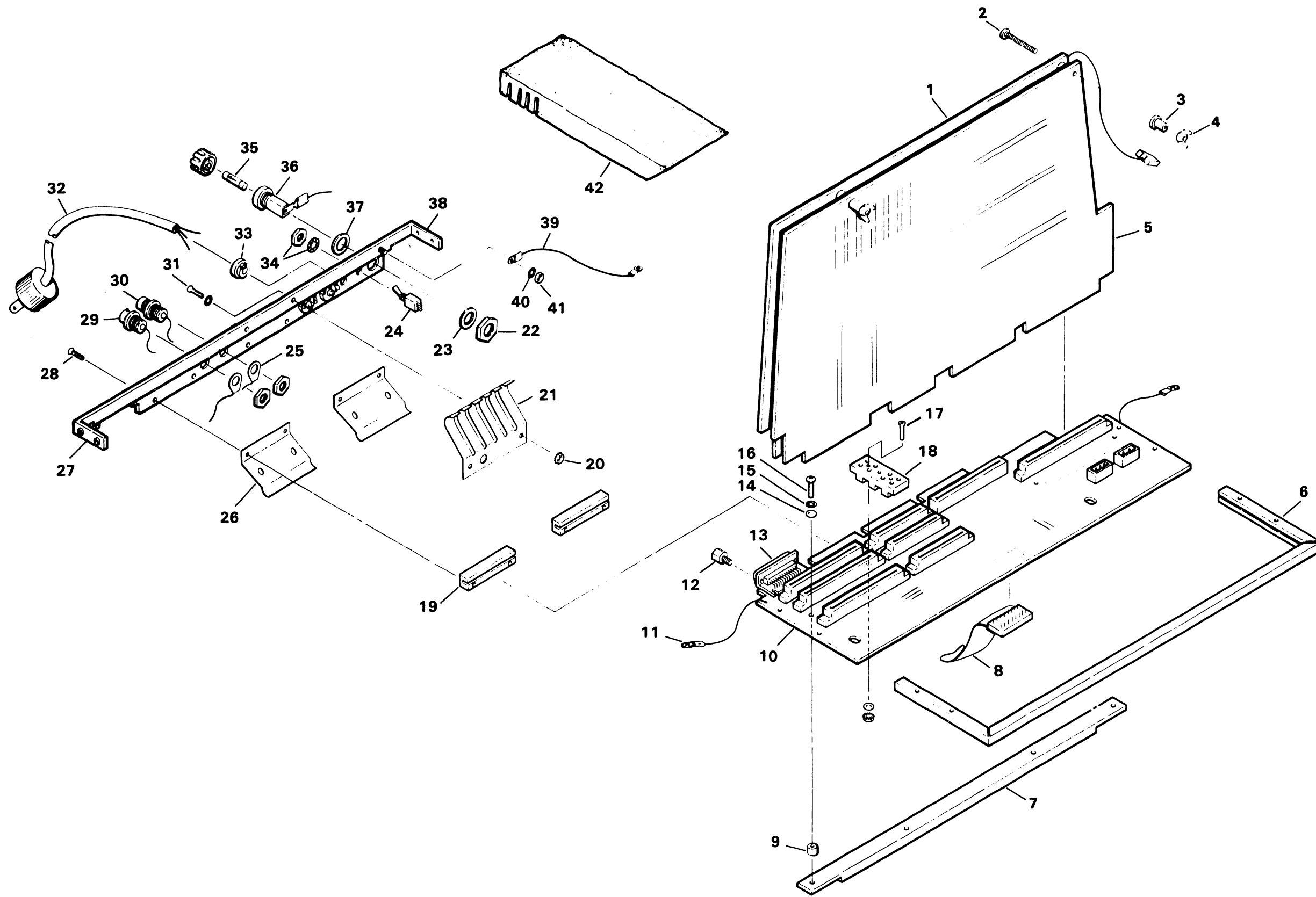


FIGURE 3 12" MONITOR ASSEMBLY (ASSEMBLY PART NO. 270-0372)

**MOTHERBOARD & W/S CHASSIS ASSEMBLY**

| <b>ITEM NO.</b> | <b>PART NO.</b> | <b>DESCRIPTION</b>                   |
|-----------------|-----------------|--------------------------------------|
| 1               | 210-7744-1A     | PCA AWS1/5536 UNIV DATA LINK 32K MEM |
| 2               | 650-3322        | 6-32x1 1/2" PH PHIL                  |
| 3               | 462-0265        | SPACER, PC BOARD                     |
| 4               | 652-3006        | 6-32 WING NUT CAD PLATE              |
| 5               | 210-7545-C      | PCA 2246/AWS-1 COMBINED WS CRT/CPU   |
| 6               | 452-2562        | STIFFNER, MOTHERBOARD                |
| 7               | 478-0723        | SUPPORT BRKT MOTHERBOARD             |
| 8               | 220-3014        | 24-CONDUCTOR CABLE                   |
| 9               | 462-0141        | PHENOLIC SPACER                      |
| 10              | 210-7542-2      | PCA 5536 2-BD W.S. W/TC              |
| 11              | 220-1101        | WIRE & LUG ASSEMBLY                  |
| 12              | 462-0507        | STANDOFF M/F, 4-40/4-40              |
| 13              | 350-1047        | RS 232 CONNECTOR                     |
| 14              | 653-0003        | WASHER #4 NYLON                      |
| 15              | 653-2000        | WASHER #4 FLAT                       |
| 16              | 650-2200        | 4-40x3/8" PH PHIL                    |
| 17              | 650-2241        | 4-40x3/4" FL HD PHL MS BK OX         |
| 18              | 449-0309        | STOP, PC BD 4 POS BLK                |
| 19              | 461-1545        | SUPPORT BLOCK, SMALL                 |
| 20              | 652-4005        | 4-40, LOCKNUT KEPS                   |
| 21              | 458-0423        | GND, STATIC REAR PANEL               |
| 22              | 360-9002        | HEX NUT                              |
| 23              | 360-9003        | LOCK WASHER                          |
| 24              | 325-0033        | TOGGLE SWITCH                        |
| 25              | 654-1011        | GND LUG 3/8"                         |
| 26              | 451-3632        | PNL STATIC 2282                      |
| 27              | 451-3919        | 5595-4 REAR PANEL                    |
| 28              | 651-0009        | #4x3/8" ST FL HD                     |
| 29              | 350-1036        | BNC SOCKET (F) CONN.                 |
| 30              | 350-2078        | TNC BULKHEAD (F) CONN.               |
| 31              | 650-2120        | 4-40x3/8 SEMS                        |
| 32              | 220-1076        | POWER CORD ASSEMBLY                  |
| 33              | 654-1238        | HEYCO STRAIN RELIEF                  |
| 34              | PART OF 25      |                                      |
| 35              | 360-1025-SB     | FUSE, 2 1/2 AMP                      |
| 36              | 360-0000        | FUSE HOLDER 90 DEGREE CONTACT        |
| 37              | 360-9000        | RUBBER WASHER                        |
| 38              | 270-0618        | 5536 W/S CHASSIS ASSEMBLY            |
| 39              | 220-1512        | WIRE & LUG ASSEMBLY                  |
| 40              | 653-3003        | #6 SPLIT WASHER                      |
| 41              | 652-3004        | 6-32 HEXNUT                          |
| 42              | 660-0681        | FOAM RETAINER                        |





**FIGURE 4 MOTHERBOARD & W/S CHASSIS ASSEMBLY**

**POWER SUPPLY ASSEMBLY (ASSEMBLY PART NO. 279-0526)**

| <b>ITEM NO.</b> | <b>PART NO.</b> | <b>DESCRIPTION</b>            |
|-----------------|-----------------|-------------------------------|
| 1               | 451-4660        | BRKT PC BD RTNR               |
| 2               | 654-1290        | BUSHING, SNAP                 |
| 3               | 650-4160        | 8-32x1/2" PAN HD PHIL         |
| 4               | 650-3080        | 6-32x1/4" SCREW               |
| 5               | 451-1141        | POWER SUPPLY CHASSIS          |
| 6               | 210-7656        | PCA REGULATOR                 |
| 7               | 650-2200        | 4-40x5/8" PAN HD PHIL         |
| 8               | 350-0008        | 30-PIN CINCH CONNECTOR        |
| 9               | 220-1143        | WIRE & LUG ASSEMBLY           |
| 10              | 653-4002        | #8 FLAT WASHER                |
| 11              | 650-4120        | 8-32x3/8" PHL SEMS            |
| 12              | 451-7035        | BRKT. POWER SUPPLY            |
| 13              | 652-0029        | 8-32 LOCKNUT KEPS             |
| 14              | 652-0029        | 8-32 LOCKNUT KEPS             |
| 15              | PART OF 16      |                               |
| 16              | 270-3236        | TRANSFORMER/HARNESS           |
| 17              | PART OF 16      |                               |
| 18              | 462-0450        | SPACER, DELRIN                |
| 19              | 420-1005        | POWER CORD ROTRON FAN         |
| 20              | 325-2117        | SWITCH, 115/220               |
| 21              | 652-3000        | 6-32 HEXNUT                   |
| 22              | 410-2005        | LINE FILTER, 5 AMP CORCOM 5K1 |
| 23              | 300-3069        | CAP., 27000uf, 30V            |
| 24              | 300-9022        | CAP CLAMP 2 1/16" 3 LUG       |
| 25              | 650-3207        | 6-32x5/8" PAN HD PHIL         |
| 26              | 652-3004        | 6-32 HEXNUT                   |
| 27              | 300-9009        | CAP CLAMP 1 1/4" 2 LUG        |
| 28              | 652-0032        | 6-32 LOCKNUT KEPS             |
| 29              | 300-3074        | CAP., 7300uf, 40V             |
| 30              | 300-3049        | CAP., 77000uf, 15V            |
| 31              | 650-3120        | 6-32x3/8" PAN HD PHIL         |
| 32              | 270-0627        | HEATSINK ASSEMBLY 2 BD WS REG |
| 33              | 652-0029        | 8-32 LOCKNUT KEPS             |

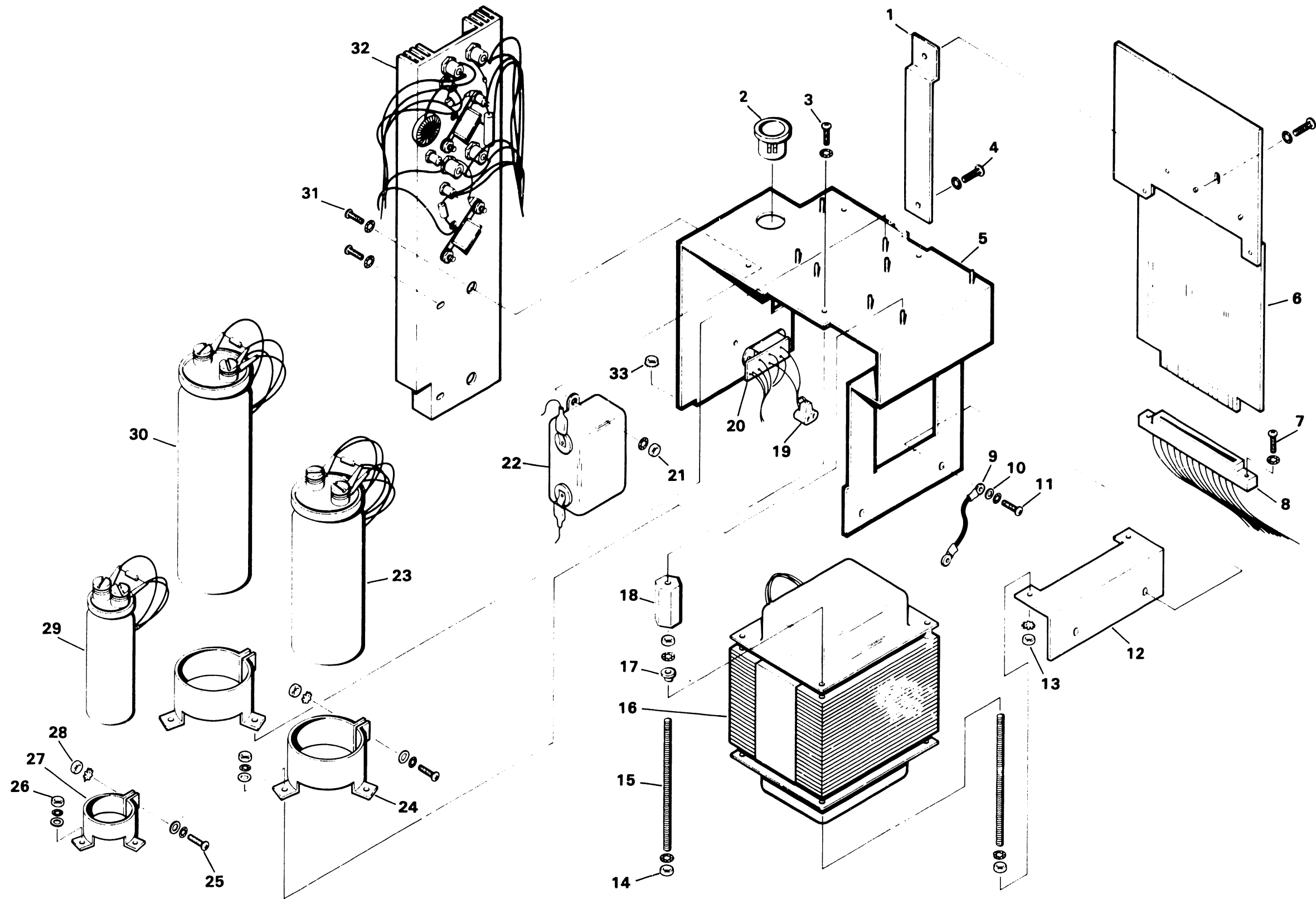


FIGURE 5 POWER SUPPLY ASSEMBLY (ASSEMBLY PART NO. 279-0526)



LABORATORIES, INC.

---

ONE INDUSTRIAL AVENUE, LOWELL, MASSACHUSETTS 01851. TEL. (617) 459-5000. TWX 710 343-6769. TELEX 94-7421

PRINTED IN U.S.A.

**END**