

THIS INFORMATION IS CONFIDENTIAL AND PROPRIETARY TO WDC AND SHALL NOT BE REPRODUCED OR FURTHER DISCLOSED TO ANYONE OTHER THAN WDC EMPLOYEES WITHOUT WRITTEN AUTHORIZATION FROM WESTERN DIGITAL CORPORATION.

CHG	E.O. NO.	DATE	BY	CHKD

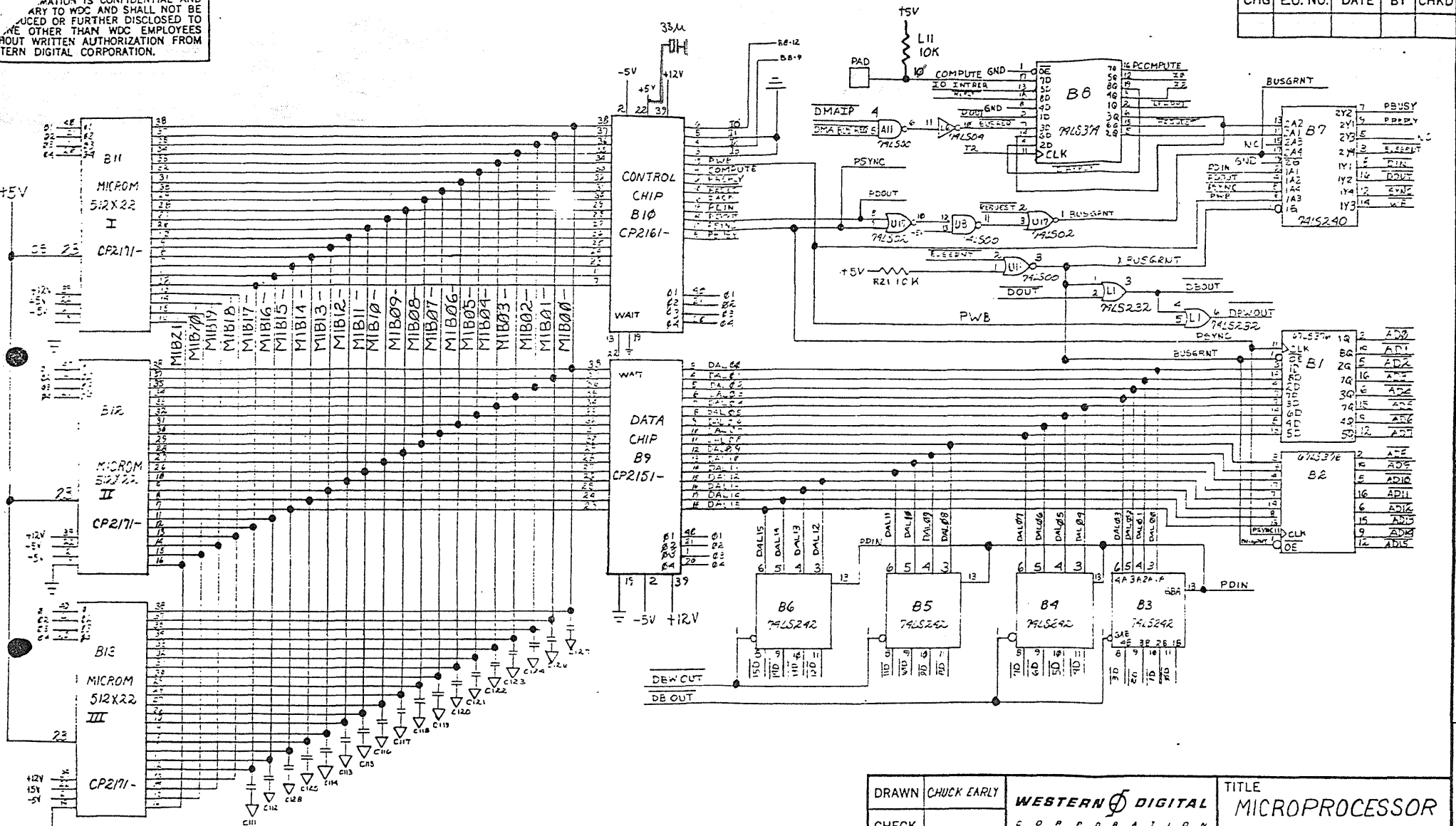
WD 900 PASCAL MICROENGINE™ BOARD

DRAWN	CHECK EARLY 9-10-79	WESTERN DIGITAL CORPORATION	TITLE	
CHECK	DATE RE-REVISIT 1-18-80		SCHEMATIC- MICROENGINE BOARD (PA 90006)	
DESIGN		JAN 14 1980		DWG NO.
ENGR		PRELIMINARY		REV.
OPER		ISSUE DATE 1-14-80	SIZE B	60-013001-20 E5
		SCALE NONE		SHEET 1 OF 15

NOTES: UNLESS OTHERWISE SPECIFIED.

INFORMATION IS CONFIDENTIAL AND NOT TO BE DISCLOSED TO ANY OTHER THAN WDC EMPLOYEES WITHOUT WRITTEN AUTHORIZATION FROM WESTERN DIGITAL CORPORATION.

CHG	E.O. NO.	DATE	BY	CHKD



39pf TYP. 18 PL.

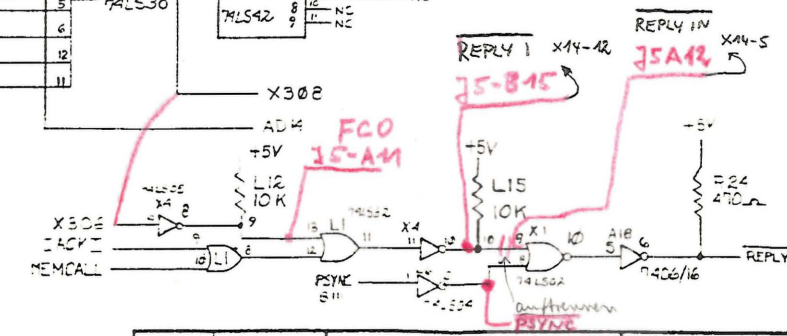
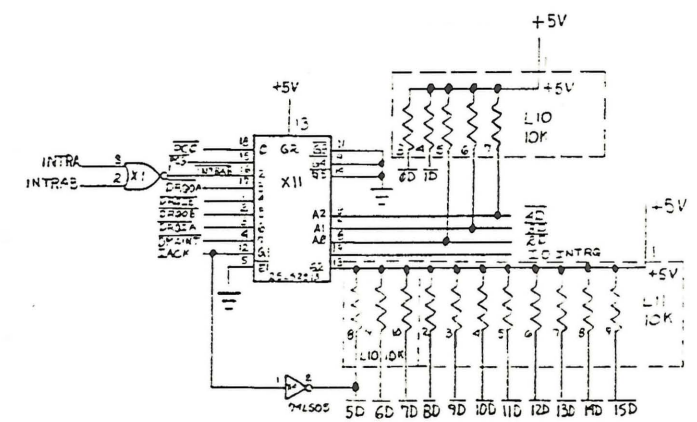
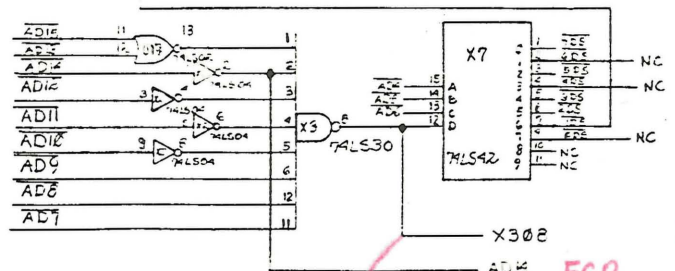
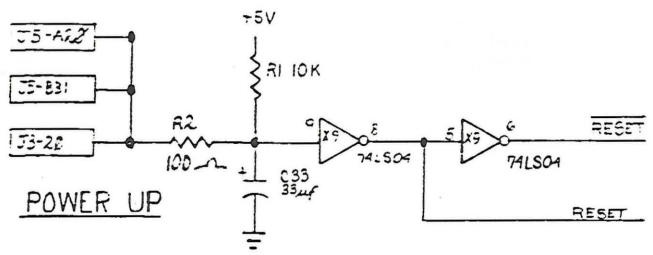
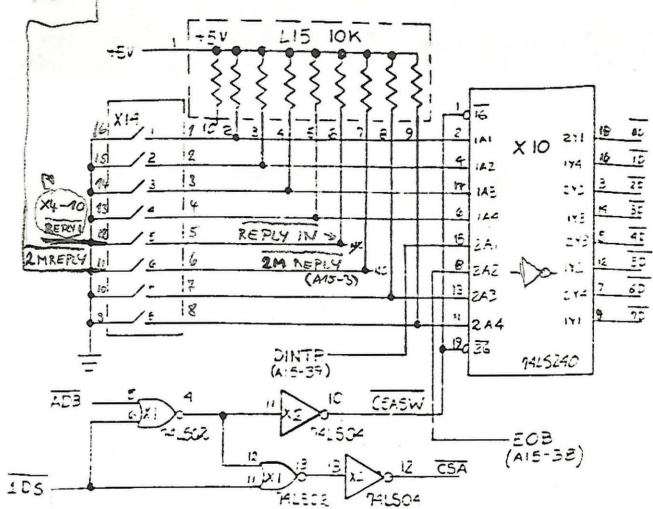
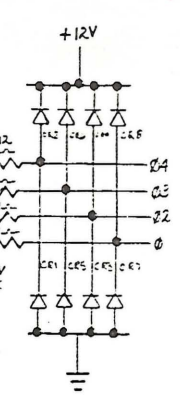
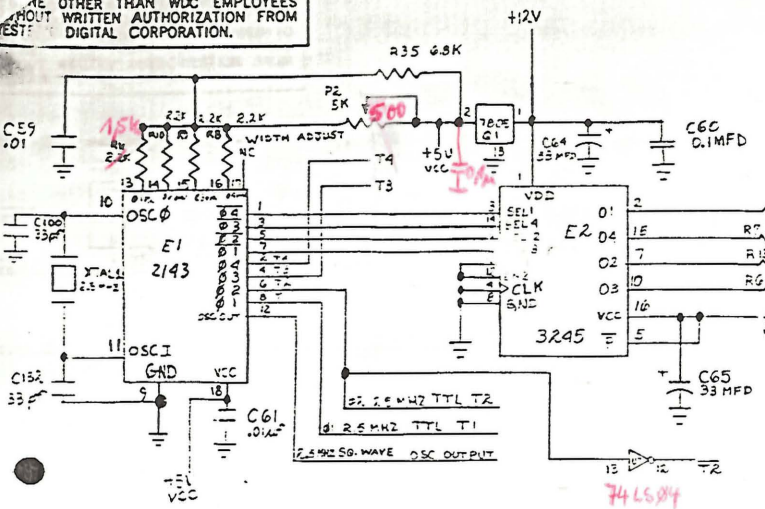
NOTES: UNLESS OTHERWISE SPECIFIED.

P. GRAPHICS/ACCUPRESS  
 ER NO. A6766

DRAWN	CHUCK EARLY	WESTERN DIGITAL CORPORATION	TITLE MICROPROCESSOR CHIP SET	
CHECK			DWG NO.	REV.
DESIGN		ISSUE DATE 1-19-80	SIZE	60-013001-20
ENGR		SCALE NONE	B	E5
OPER				SHEET 2 OF 15

THIS INFORMATION IS CONFIDENTIAL AND NOT TO BE DISCLOSED OR FURTHER DISCLOSED TO ANY OTHER THAN WDC EMPLOYEES WITHOUT WRITTEN AUTHORIZATION FROM WESTERN DIGITAL CORPORATION.

CHG	E.O. NO.	DATE	BY	CHKD

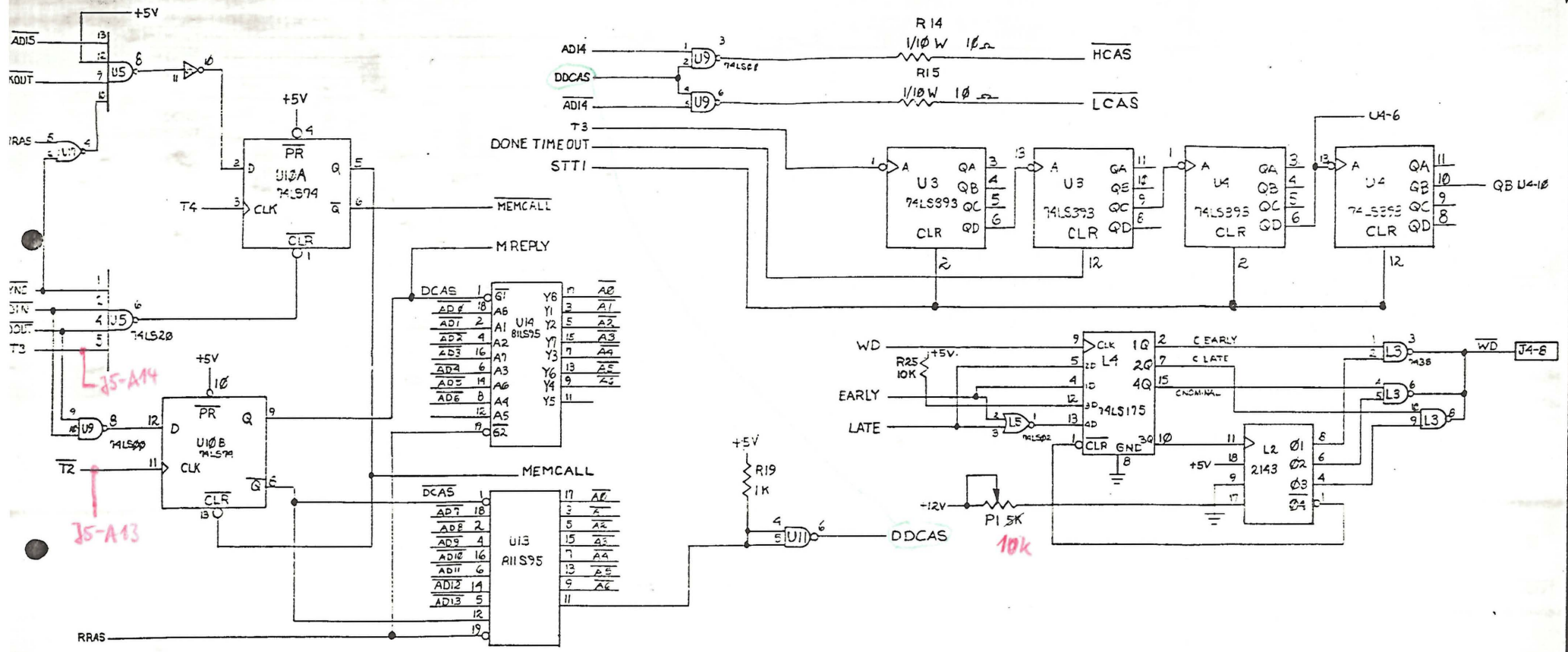


NOTES: UNLESS OTHERWISE SPECIFIED.

DRAWN	C. EARLY	WESTERN DIGITAL CORPORATION	TITLE	
CHECK				
DESIGN		ISSUE DATE 1-14-80	SIZE B	DWG NO. 60-013001-20
ENGR				REV. E5
OPER		SCALE NONE	SHEET 3 OF 15	

INFORMATION IS CONFIDENTIAL AND PROPRIETARY TO WDC AND SHALL NOT BE REPRODUCED OR FURTHER DISCLOSED TO ANYONE OTHER THAN WDC EMPLOYEES WITHOUT WRITTEN AUTHORIZATION FROM WESTERN DIGITAL CORPORATION.

CHG	E.O. NO.	DATE	BY	CHKD

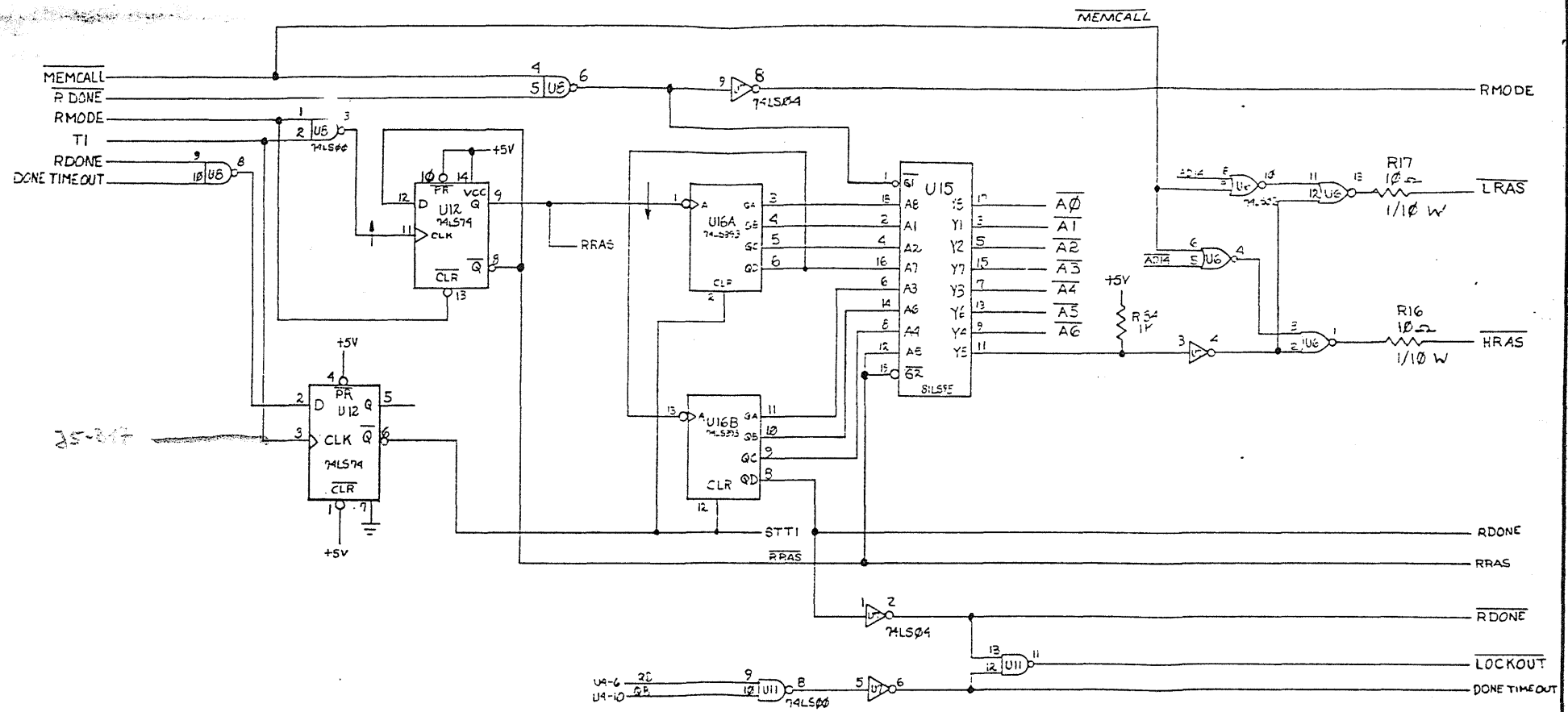


NOTES: UNLESS OTHERWISE SPECIFIED.

DRAWN	C. EARLY	WESTERN DIGITAL CORPORATION	TITLE	
CHECK				
DESIGN				
ENGR		ISSUE DATE 1-14-80	SIZE B	DWG NO. 60-013001-20
OPER		SCALE NONE		REV. E5
				SHEET 9 OF 15

INFORMATION IS CONFIDENTIAL AND PROPRIETARY TO WDC AND SHALL NOT BE REPRODUCED OR FURTHER DISCLOSED TO ANYONE OTHER THAN WDC EMPLOYEES WITHOUT WRITTEN AUTHORIZATION FROM WESTERN DIGITAL CORPORATION.

CHG	E.O. NO.	DATE	BY	CHKD

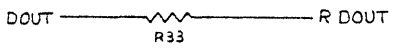
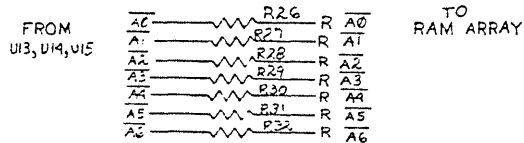
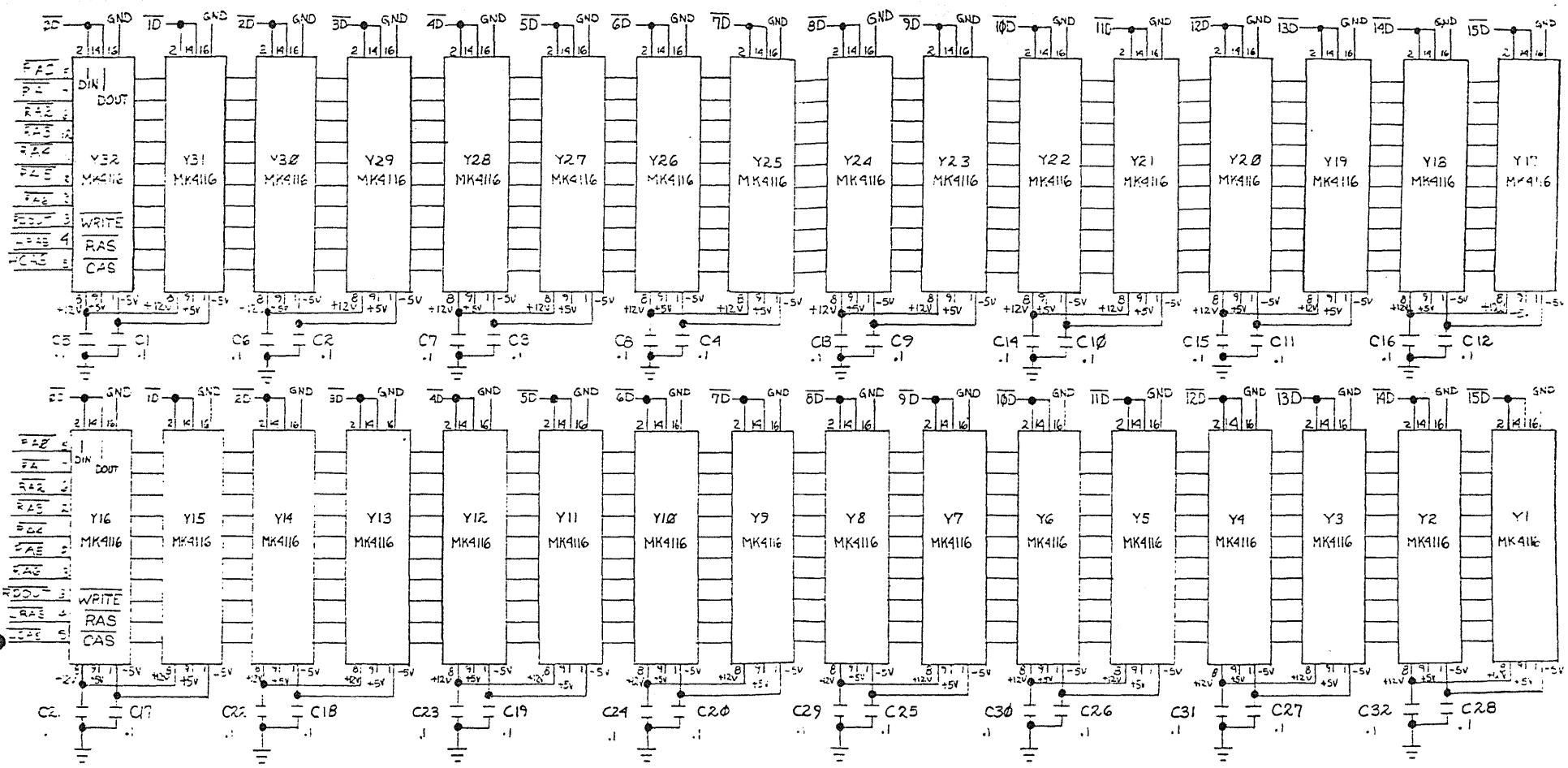


DRAWN	C EARLY	WESTERN DIGITAL CORPORATION	TITLE	
CHECK				
DESIGN				
ENGR		ISSUE DATE 1-14-80	SIZE B	DWG NO. 60-013001-20
OPER		SCALE NONE		REV E5
			SHEET 5 OF 15	

NOTES: UNLESS OTHERWISE SPECIFIED.

INFORMATION IS CONFIDENTIAL AND PROPRIETARY TO WDC AND SHALL NOT BE REPRODUCED OR FURTHER DISCLOSED TO ANYONE OTHER THAN WDC EMPLOYEES WITHOUT WRITTEN AUTHORIZATION FROM WESTERN DIGITAL CORPORATION.

CHG	E.O. NO.	DATE	BY	CHKD

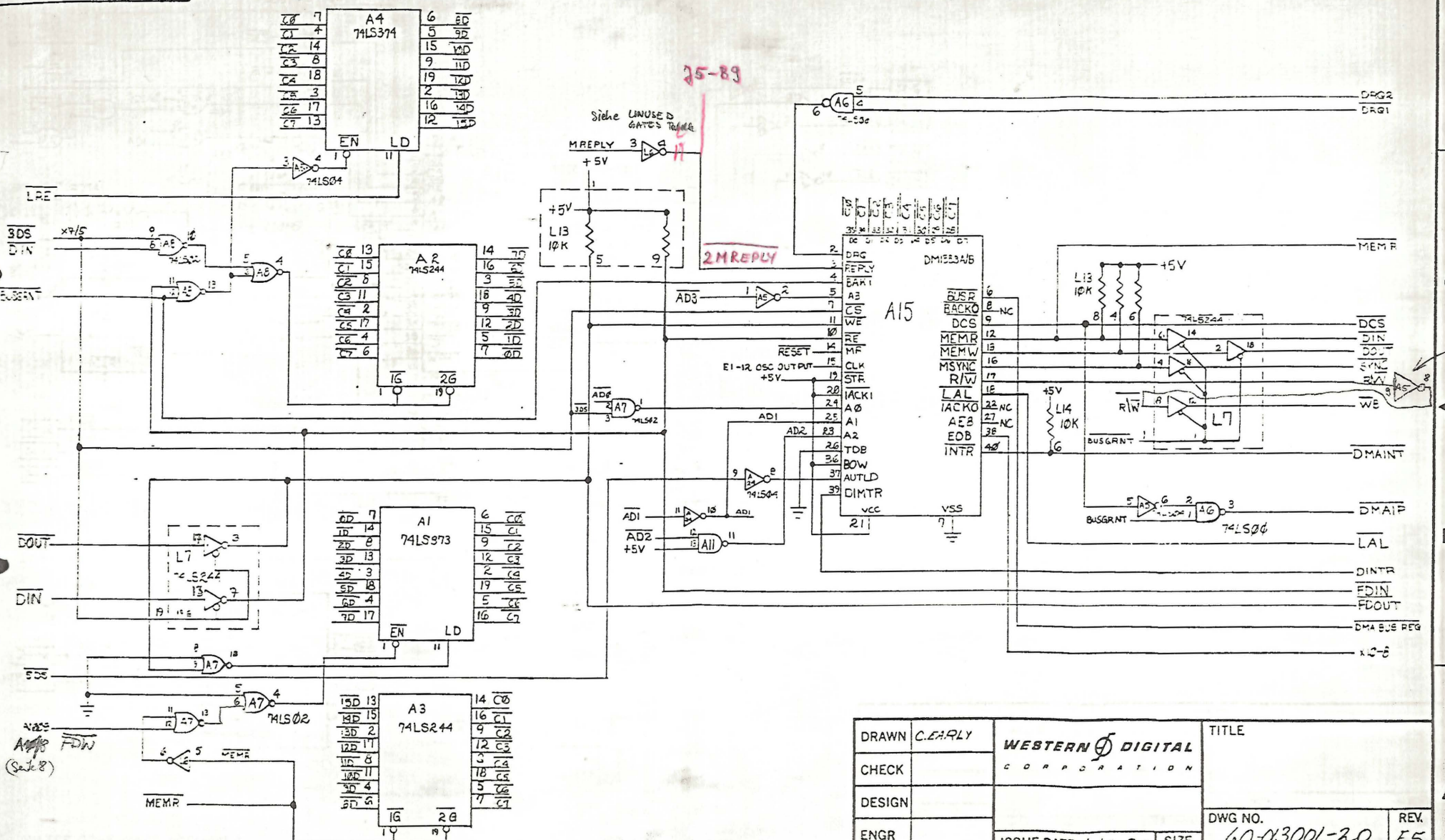


NOTES: UNLESS OTHERWISE SPECIFIED.

DRAWN	C. EARLY	WESTERN DIGITAL CORPORATION	TITLE	
CHECK				
DESIGN		ISSUE DATE 1-14-80	DWG NO.	REV
ENGR			60-013001-20	E5
OPER			SIZE B	SHEET 6 OF 15
		ALL NONE		

INFORMATION IS CONFIDENTIAL AND PROPRIETARY TO WDC AND SHALL NOT BE REPRODUCED OR FURTHER DISCLOSED TO ANYONE OTHER THAN WDC EMPLOYEES WITHOUT WRITTEN AUTHORIZATION FROM WESTERN DIGITAL CORPORATION.

CHG	E.O. NO.	DATE	BY	CHKD

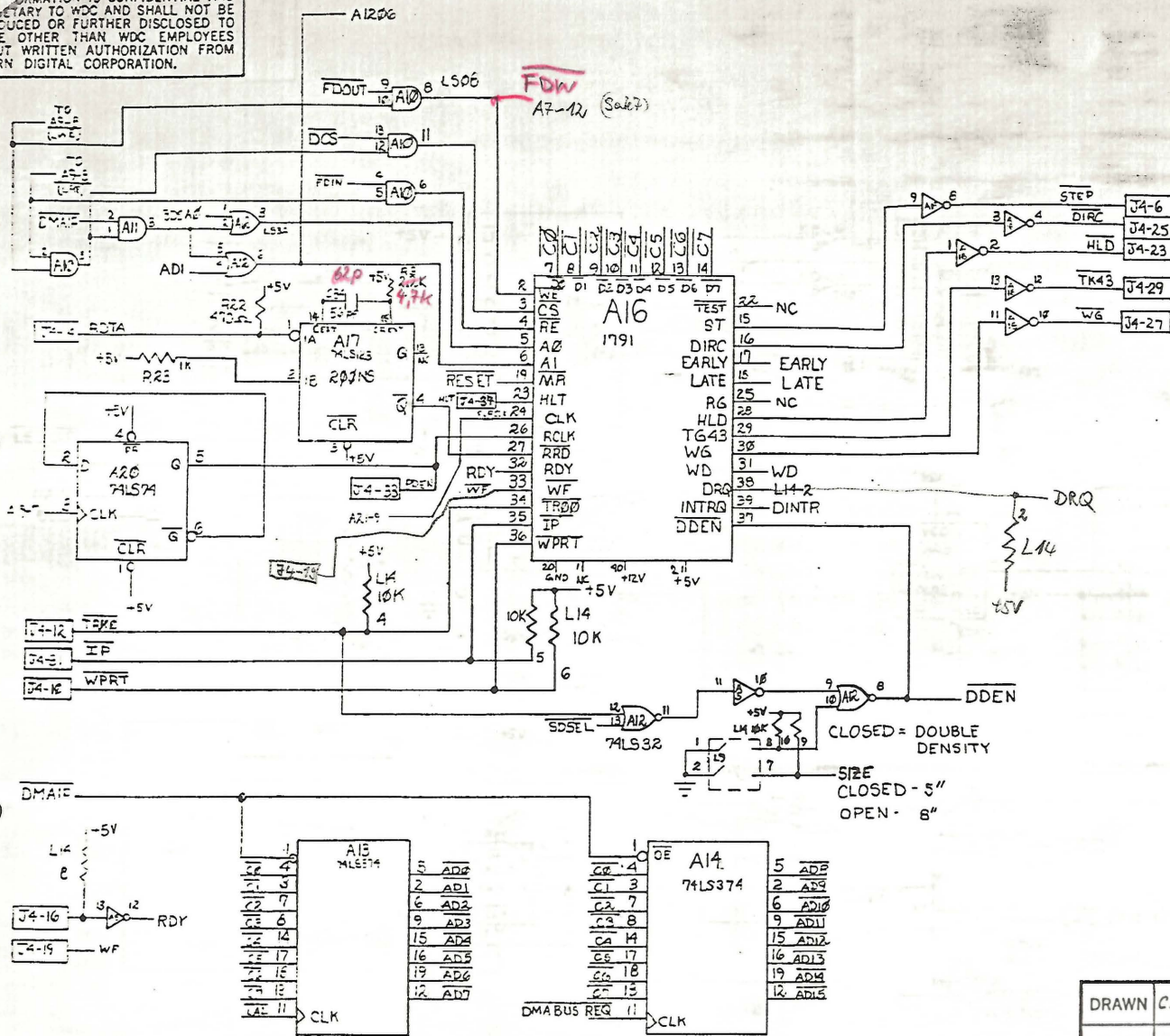


NOTES: UNLESS OTHERWISE SPECIFIED.

DRAWN	C. EARLY	WESTERN DIGITAL CORPORATION	TITLE	
CHECK				
DESIGN				
ENGR		ISSUE DATE 1-14-80	SIZE B	DWG NO. 60-03001-20
OPER		SCALE NONE		REV. E5
			SHEET 7 OF 15	

INFORMATION IS CONFIDENTIAL AND PROPRIETARY TO WDC AND SHALL NOT BE REPRODUCED OR FURTHER DISCLOSED TO ANYONE OTHER THAN WDC EMPLOYEES WITHOUT WRITTEN AUTHORIZATION FROM WESTERN DIGITAL CORPORATION.

CHG	E.O. NO.	DATE	BY	CHKD



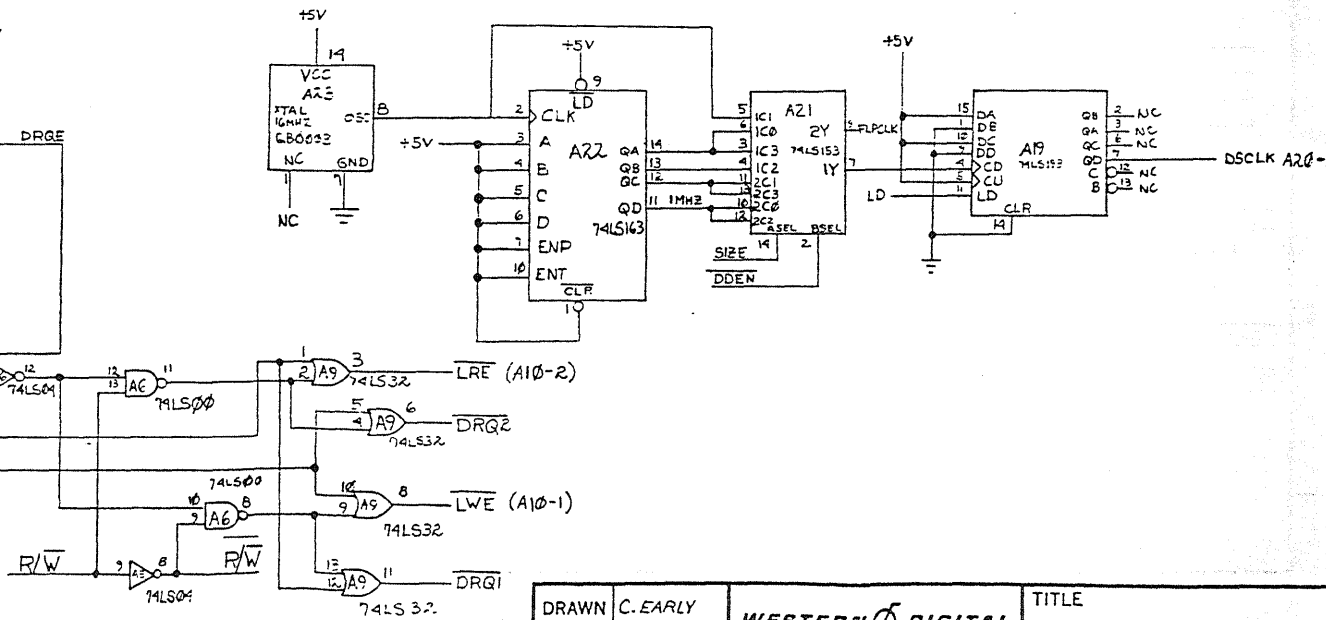
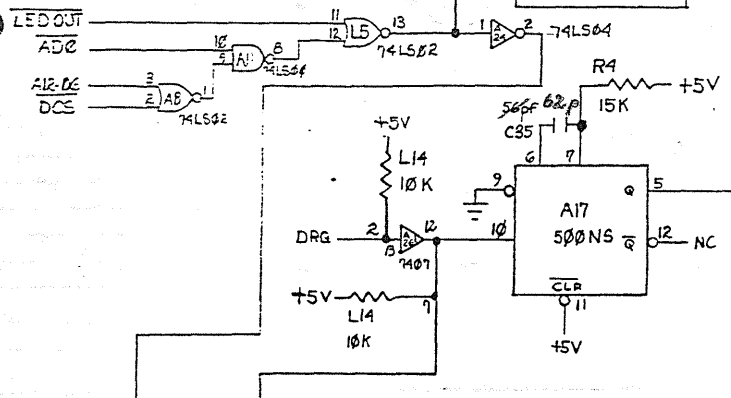
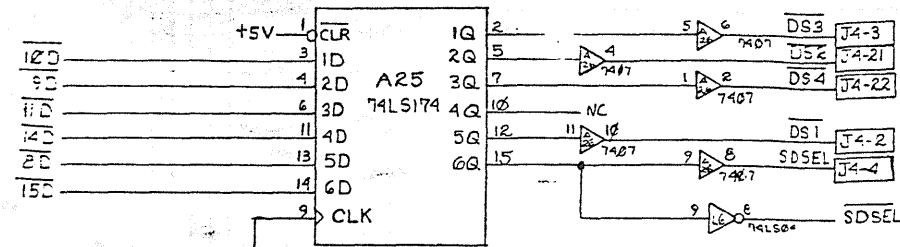
NOTES: UNLESS OTHERWISE SPECIFIED.

DRAWN	C. EARLY	WESTERN DIGITAL CORPORATION	TITLE	
CHECK				
DESIGN				
ENGR		ISSUE DATE	1-14-80	SIZE
OPER		SCALE	NONE	B
		DWG NO.	60-013001-20	REV.
				E5
		SHEET 8 OF 15		



THIS INFORMATION IS CONFIDENTIAL AND PROPRIETARY TO WDC AND SHALL NOT BE REPRODUCED OR FURTHER DISCLOSED TO ANYONE OTHER THAN WDC EMPLOYEES WITHOUT WRITTEN AUTHORIZATION FROM WESTERN DIGITAL CORPORATION.

CHG	E.O. NO.	DATE	BY	CH

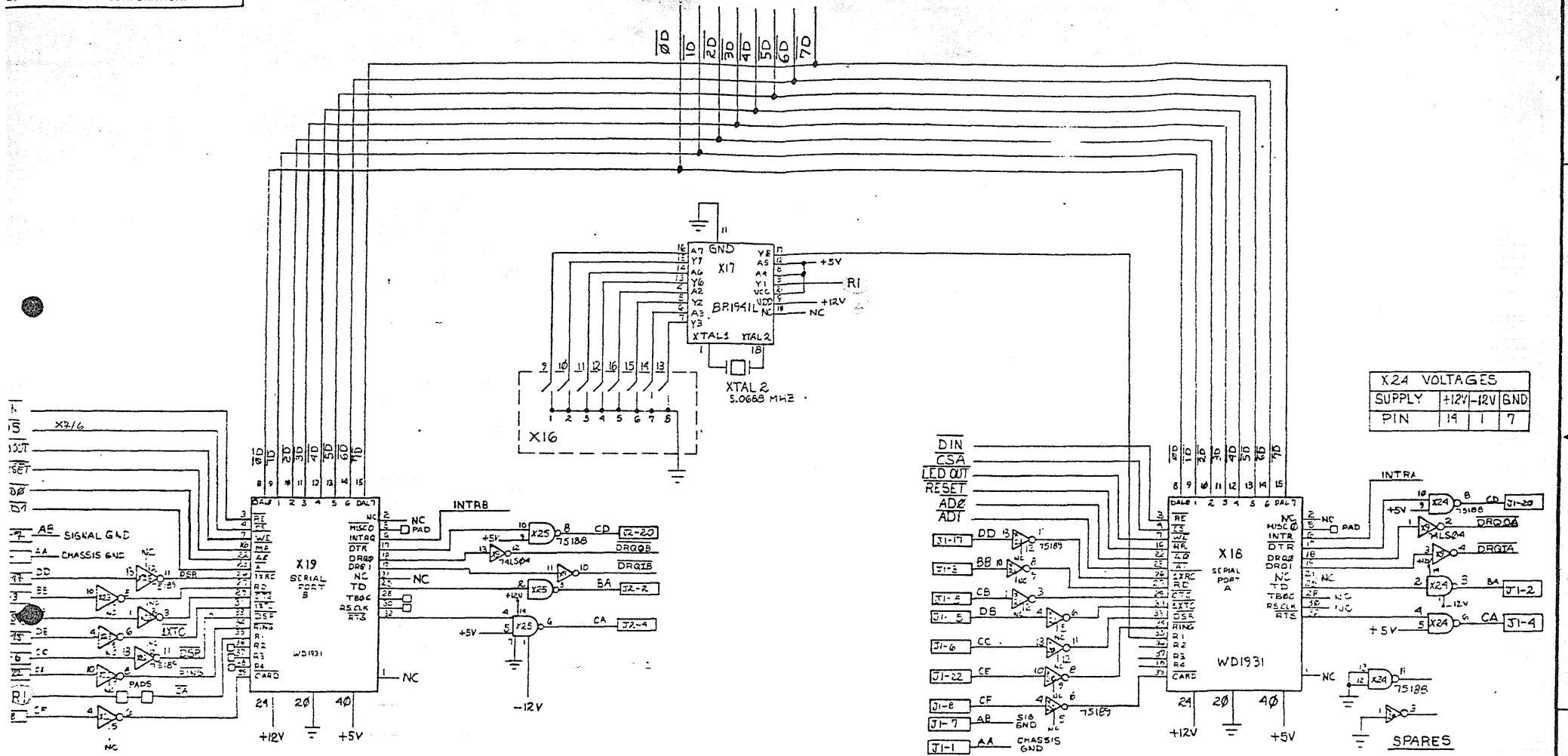


NOTES: UNLESS OTHERWISE SPECIFIED.

DRAWN	C. EARLY	WESTERN DIGITAL CORPORATION	TITLE	
CHECK				
DESIGN				
ENGR		ISSUE DATE 1-14-80	SIZE B	DWG NO. 60-013001-20
OPER		SCALE NONE		REV E5
			SHEET 9 OF 15	

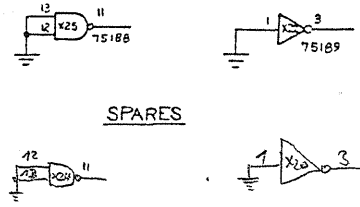
INFORMATION IS CONFIDENTIAL AND PROPRIETARY TO WDC AND SHALL NOT BE REPRODUCED OR FURTHER DISCLOSED TO ANYONE OTHER THAN WDC EMPLOYEES WITHOUT WRITTEN AUTHORIZATION FROM WESTERN DIGITAL CORPORATION.

CHG	E.O. NO.	DATE	BY	CHKD



SUPPLY	+12V	-12V	GND
PIN	19	1	7

SUPPLY	+12V	-12V	GND
PIN	14	1	7

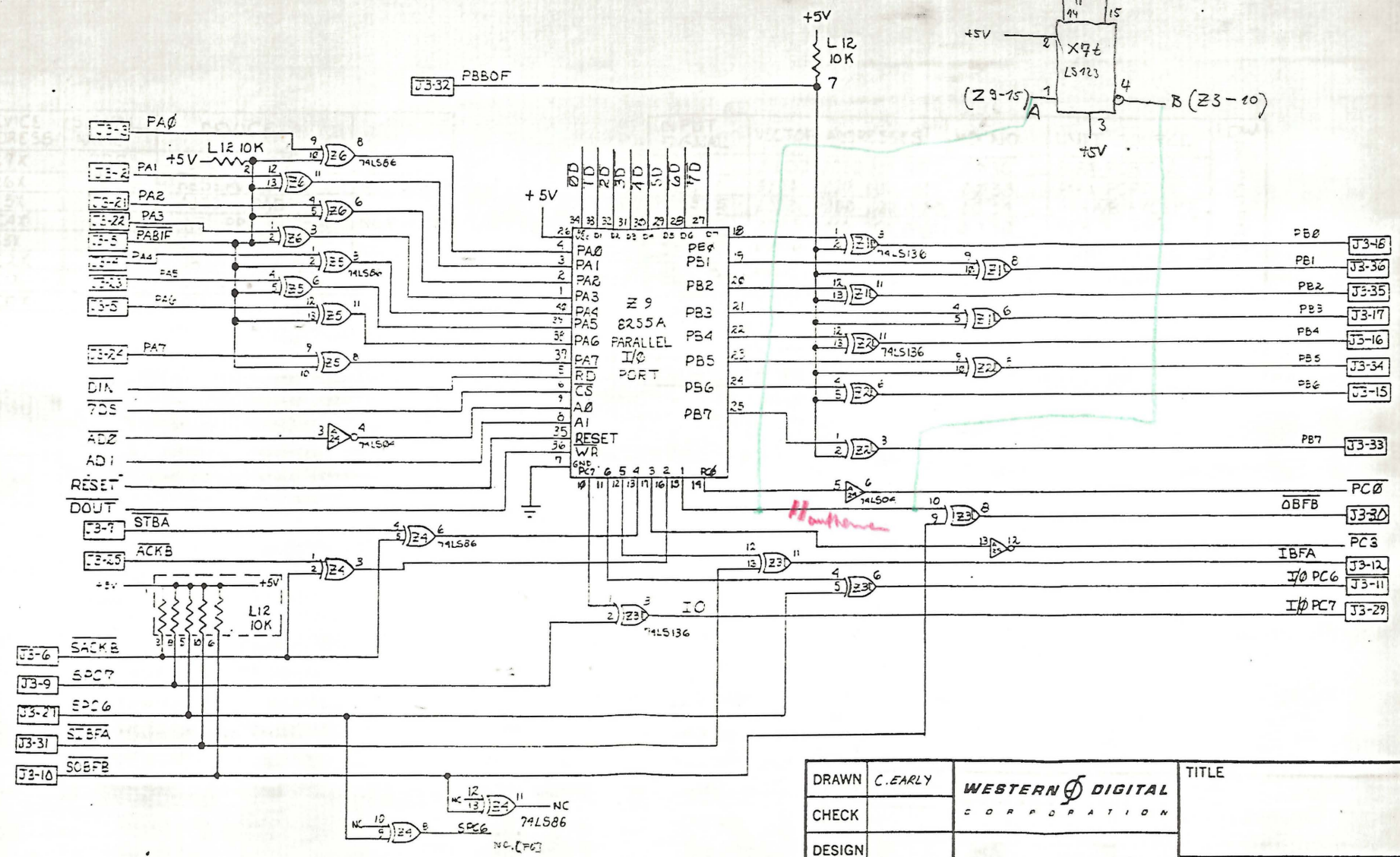


DRAWN	C. EARLY	WESTERN DIGITAL CORPORATION	TITLE	
CHECK				
DESIGN		ISSUE DATE 1-19-80	SIZE	B
ENGR			DRWG NO. 60-013001-20	
OPER		SCALE NONE	SHEET 10 OF 15	

NOTES: UNLESS OTHERWISE SPECIFIED.

THIS DOCUMENT IS CONFIDENTIAL AND NOT TO BE DISCLOSED TO WDC AND SHALL NOT BE REPRODUCED OR FURTHER DISCLOSED TO ANY OTHER THAN WDC EMPLOYEES WITHOUT WRITTEN AUTHORIZATION FROM WESTERN DIGITAL CORPORATION.

CHG	E.O. NO.	DATE	BY	CHKD



DRAWN	C. EARLY	WESTERN DIGITAL CORPORATION	TITLE	
CHECK				
DESIGN			DWG NO.	REV.
ENGR			60-013001-20	E5
OPER			ISSUE DATE 7-14-80	SIZE
			SCALE NONE	B
			SHEET 11 OF 15	

NOTES: UNLESS OTHERWISE SPECIFIED.

THIS INFORMATION IS CONFIDENTIAL AND SHALL NOT BE DISCLOSED OR FURTHER DISCLOSED TO ANY OTHER THAN WDC EMPLOYEES WITHOUT WRITTEN AUTHORIZATION FROM WESTERN DIGITAL CORPORATION.

CHG	E.O. NO.	DATE	BY	CHKD

DEVICE ADDRESS	SIGNAL NAME	DEVICE	
FC7X	7DS	PARA F. RT	
FC6X	6DS	RESERVED	NOT USED
FC5X	5DS	AUTO LOAD	
FC4X	4DS	INT PRI	NOT USED
FC3X	3DS	DMA FLOPPY	
FC2X	2DS	UB	
FC1X	1DS	UA, SW.	
FC0X	0DS	NIL	NOT USED

INPUT SIGNAL	VECTOR ADDRESSES	HD NO.	UNIT SOURCE	LOW — PRIORITY — HIGH
PC0	0000 0000 0011 1100	003C	PARA PORT 2	
PC3	0000 0000 0011 1000	003B	PARA PORT 1	
INTRAB	0000 0000 0011 0100	003A	SERA/B EXCEPT	
DRGOE	0000 0000 0011 0000	0030	SER B XMIT	
DRGIE	0000 0000 0010 1100	002C	SER B RCVE	
DRGOA	0000 0000 0010 1000	002B	SER A XMIT	
DRGIA	0000 0000 0010 0100	002A	SER A RCVE	
DMAINT	0000 0000 0010 0000	0020	DMA	
	A D   5	A D   0		

DRAWN	C. EARLY	WESTERN DIGITAL CORPORATION	TITLE		
CHECK					
DESIGN					
ENGR		ISSUE DATE 1-14-80	SIZE B	DWG NO. 60-013001-20	REV E5
OPER		SCALE NONE		SHEET 12 OF 15	

NOTES: UNLESS OTHERWISE SPECIFIED.

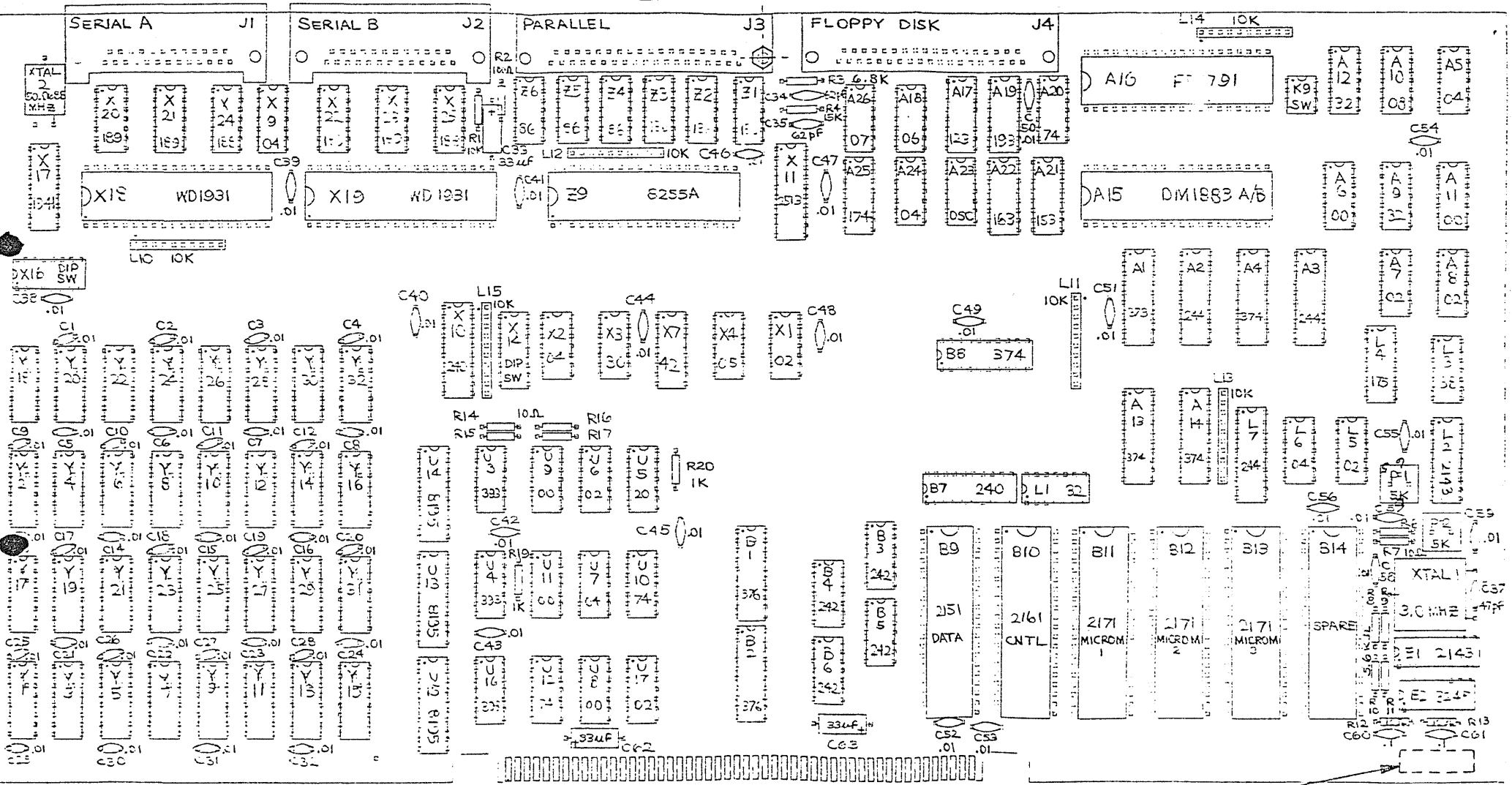
BACKSIDE OF PCB

AG0002 MACHINE SCREW, PHIL. 4-40 x 3/8 ELK 8 PL

HW4303 FLAT FIBER WASHER, #4 8 PL

WASHER, SPLIT #4 8 PL HW4307

HN4000 HEX NUT, 4-40 ELK 8 PL



SERIAL NO. THIS LOCATION SOLDER SIDE

60-013002-30 CC

P.C. Board Assembly  
4.30-79

MAY 11 1979

INFORMATION IS CONFIDENTIAL AND PROPRIETARY TO WDC AND SHALL NOT BE REPRODUCED OR FURTHER DISCLOSED TO ANYONE OTHER THAN WDC EMPLOYEES WITHOUT WRITTEN AUTHORIZATION FROM WESTERN DIGITAL CORPORATION.

CHG	E.O. NO.	DATE	BY	CHKD

PIN NO.	SIGNAL NAME	DESCRIPTION	PAGE
J1-1	AA	FRAME GRND NOT USED	
J1-2	BA	TD WD1931	
J1-3	BB	RD WD1931	
J1-4	CA	RTS WD1931	
J1-5	CB	CTS WD1931	
J1-6	CC	DSR WD1931	
J1-7	AB	SIGNAL GND	
J1-8	CF	CARD WD1931	
J1-9			
J1-10			
J1-11			
J1-12			
J1-13			
J1-14			
J1-15	DB	IXRC WD1931	
J1-16			
J1-17	DD	IXRC WD1931	
J1-18			
J1-19			
J1-20	CD	DTR WD1931	
J1-21			
J1-22	CE	RING WD1931	
J1-23			
J1-24			
J1-25			

PIN NO.	SIGNAL NAME	DESCRIPTION	PAGE
J2-1	AA	FRAME GND NOT USED	
J2-2	BA	TD	
J2-3	BB	RD WD1931	
J2-4	CA	RTS	
J2-5	CB	CTS WD1931	
J2-6	CC	DSR WD1931	
J2-7	AB	SIGNAL GND	
J2-8	CF	CARD WD1931	
J2-9			
J2-10			
J2-11			
J2-12			
J2-13			
J2-14			
J2-15	DB	IXTC WD1931	
J2-16			
J2-17	DD	IXRC WD1931	
J2-18			
J2-19			
J2-20	CD	DTR WD1931	
J2-21			
J2-22	CE	RING WD1931	
J2-23			
J2-24			
J2-25			

DRAWN	C. EARLY	WESTERN DIGITAL CORPORATION	TITLE	
CHECK				
DESIGN			DWG NO.	REV.
ENGR			ISSUE DATE 1-14-80	60-013001-20
OPER		SCALE NONE	SIZE B	SHEET 14 OF 15

NOTES: UNLESS OTHERWISE SPECIFIED.

INFORMATION IS CONFIDENTIAL AND PROPRIETARY TO WDC AND SHALL NOT BE REPRODUCED OR FURTHER DISCLOSED TO ANYONE OTHER THAN WDC EMPLOYEES WITHOUT WRITTEN AUTHORIZATION FROM WESTERN DIGITAL CORPORATION.

CHG	E.O. NO.	DATE	BY	CHKD

PIN NO.	SIGNAL NAME	DESCRIPTION	PAGE
J3-1	GND		
J3-2	PA1		
J3-3	PA0		
J3-4	PA4		
J3-5	PAG		
J3-6	SACKB	Z1-2&5	
J3-7	STBA		
J3-8	PABIF		
J3-9	SPC7	Z3-9	
J3-10	S0BFB	Z3-2	
J3-11	<del>TP</del> PC6		
J3-12	IBFA		
J3-13	GND		
J3-14	GND		
J3-15	PB6		
J3-16	PB4		
J3-17	PB3		
J3-18	PB0		
J3-19	GND		
J3-20	RESET	RESET PB	
J3-21	PA2		
J3-22	PA3		
J3-23	PA5		
J3-24	PA7		
J3-25	ACKE		
J3-26	GND		
J3-27	SPC6	Z3-5	
J3-28	GND		
J3-29	<del>TP</del> PC7		
J3-30	OBFB		
J3-31	SIBFA	Z3-13	
J3-32	PBBDF		
J3-33	PB7		
J3-34	PB5		
J3-35	PB2		
J3-36	PBI		
J3-37	GND		

PIN NO.	SIGNAL NAME	DESCRIPTION	PAGE
J4-1	GND		
J4-2	DS1	#4:	
J4-3	DS3	#3:	
J4-4	SDSEL		
J4-5	GND		
J4-6	STEP		
J4-7	GND		
J4-8	WD		
J4-9	GND		
J4-10	WPRT		
J4-11	GND		
J4-12	TRK0		
J4-13	GND		
J4-14	RDTA		
J4-15	GND		
J4-16	READY		
J4-17	GRD		
J4-18			
J4-19	WF		
J4-20	GRD		
J4-21	DS2	#5:	
J4-22	DS4	#10:	
J4-23	FLD		
J4-24	GRD		
J4-25	DIRC		

PIN NO.	SIGNAL NAME	DESCRIPTION	PAGE
J4-26	GND		
J4-27	WG		
J4-28	ID		
J4-29	TG43		
J4-30	GND		
J4-31	TP		
J4-32	GND		
J4-33	DDEN		
J4-34	GND		
J4-35	+5V		
J4-36	+5V		
J4-37	HLT		

DRAWN	C. EARLY	WESTERN DIGITAL CORPORATION	TITLE	
CHECK				
DESIGN		ISSUE DATE 1-19-80	DWG NO.	REV.
ENGR			60-013001-20	E5
OPER		SCALE NONE	SHEET 15 OF 15	

NOTES: UNLESS OTHERWISE SPECIFIED.

Verhandelt

UNUSED GATES / I.C.			
I.C. DESIG.	I.C. TYPE	UNUSED PINS	
		IN	OUT
B7	74LS240	5	15
L3	7438	12,13	11
L5	74LS02	8,9	10
L6	74LS04	3	4
U9	74LS00	12,13	11
U10t	74LS74	1,2,3,4	5,6
X4	74LS05	5,12	6,13
X7t	74LS123	9,10,11	5,12

WD 90006 Microampire  
REV F6 Sheet 5 of 5  
part 2