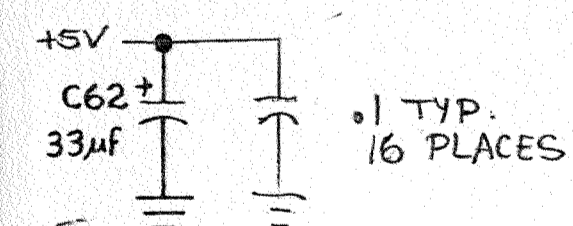
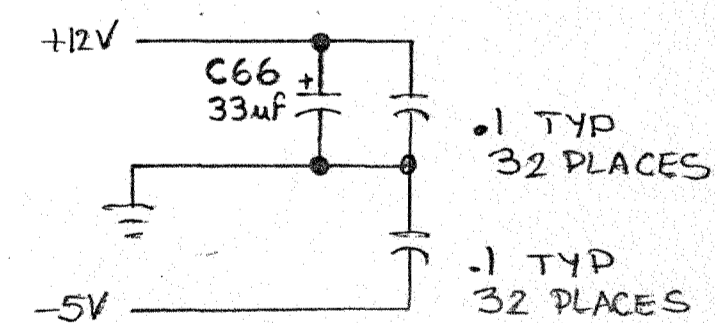
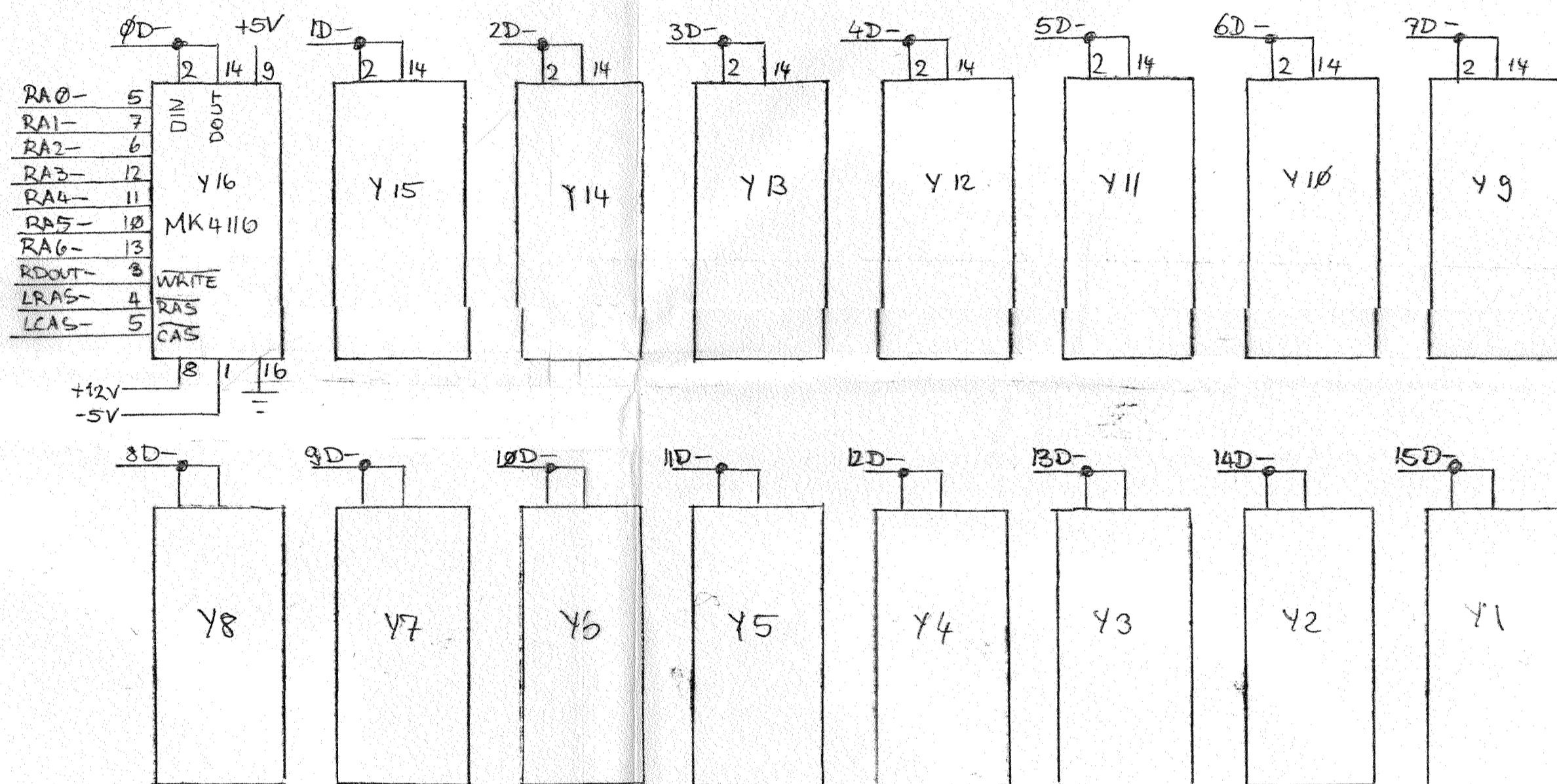
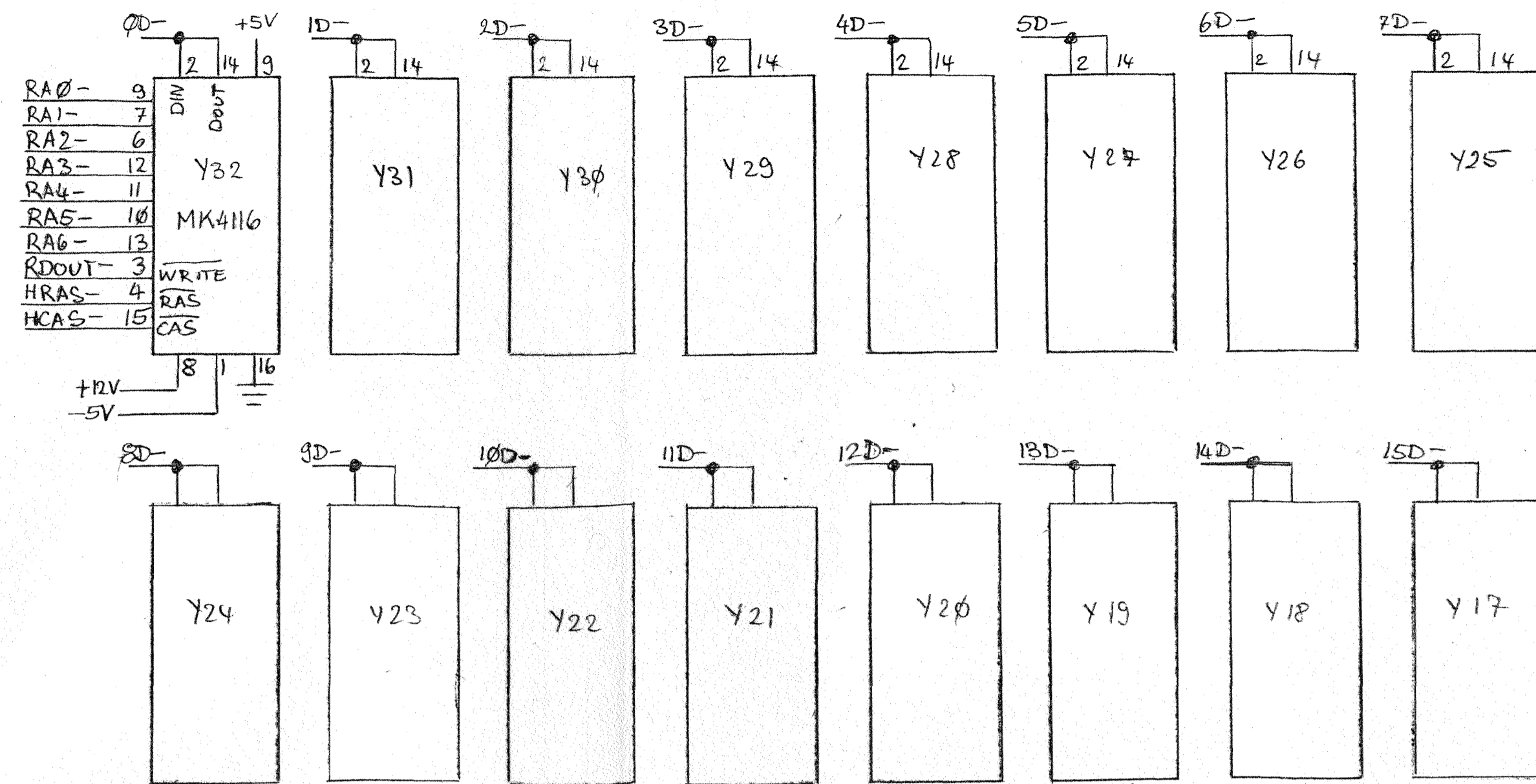
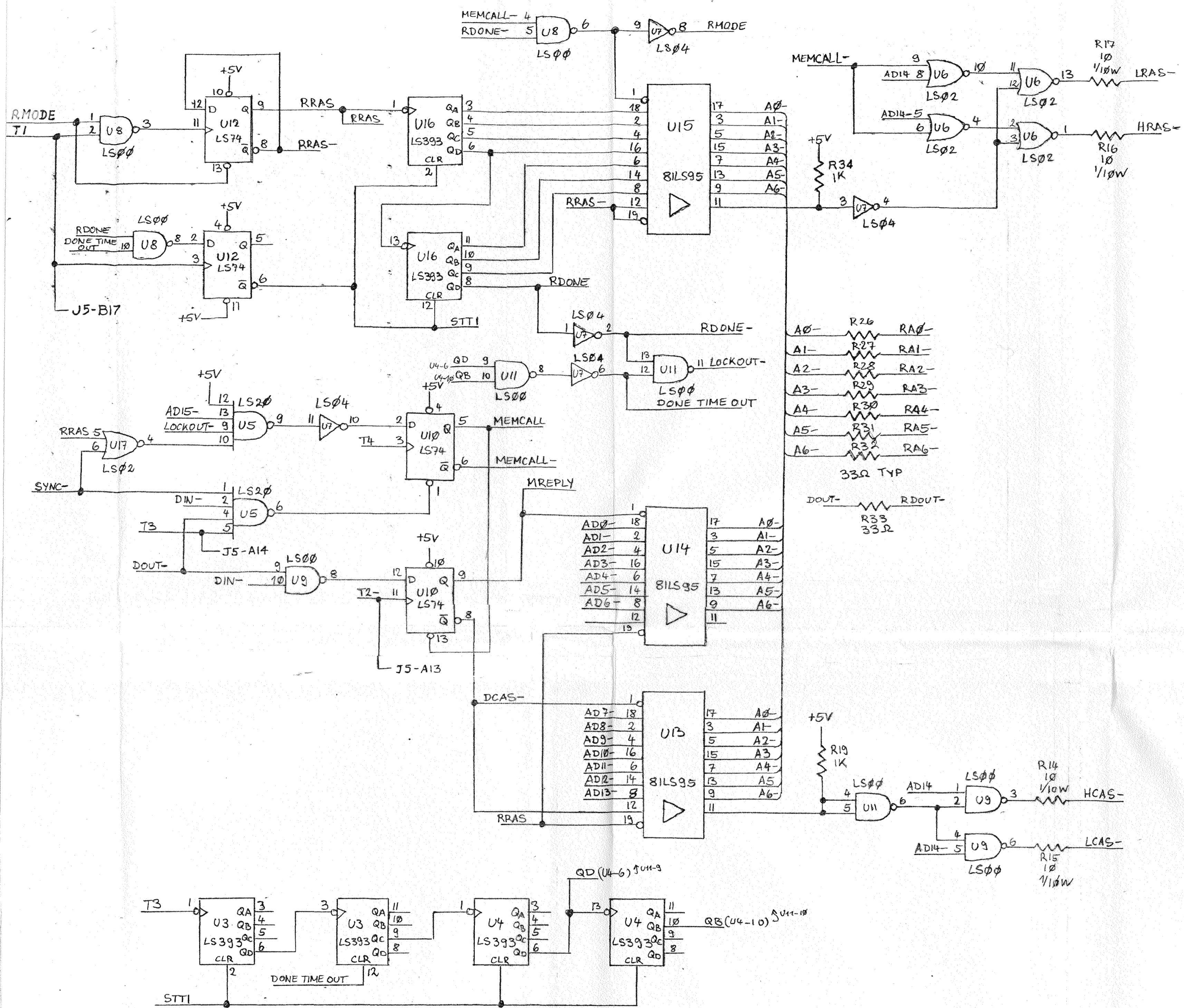
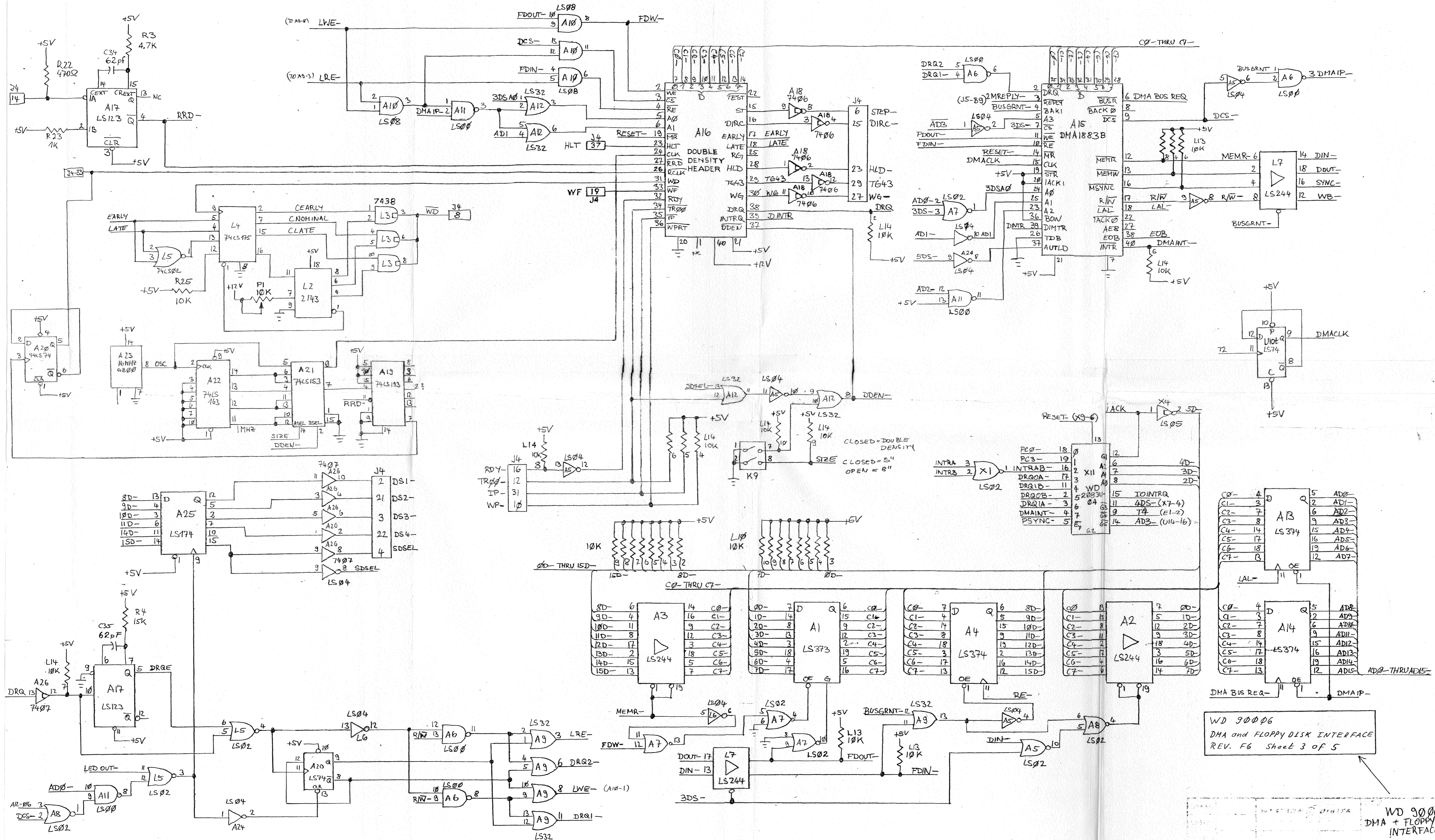


WD 90006  
CPU and Clock  
REV F6, Sheet 1 of 5



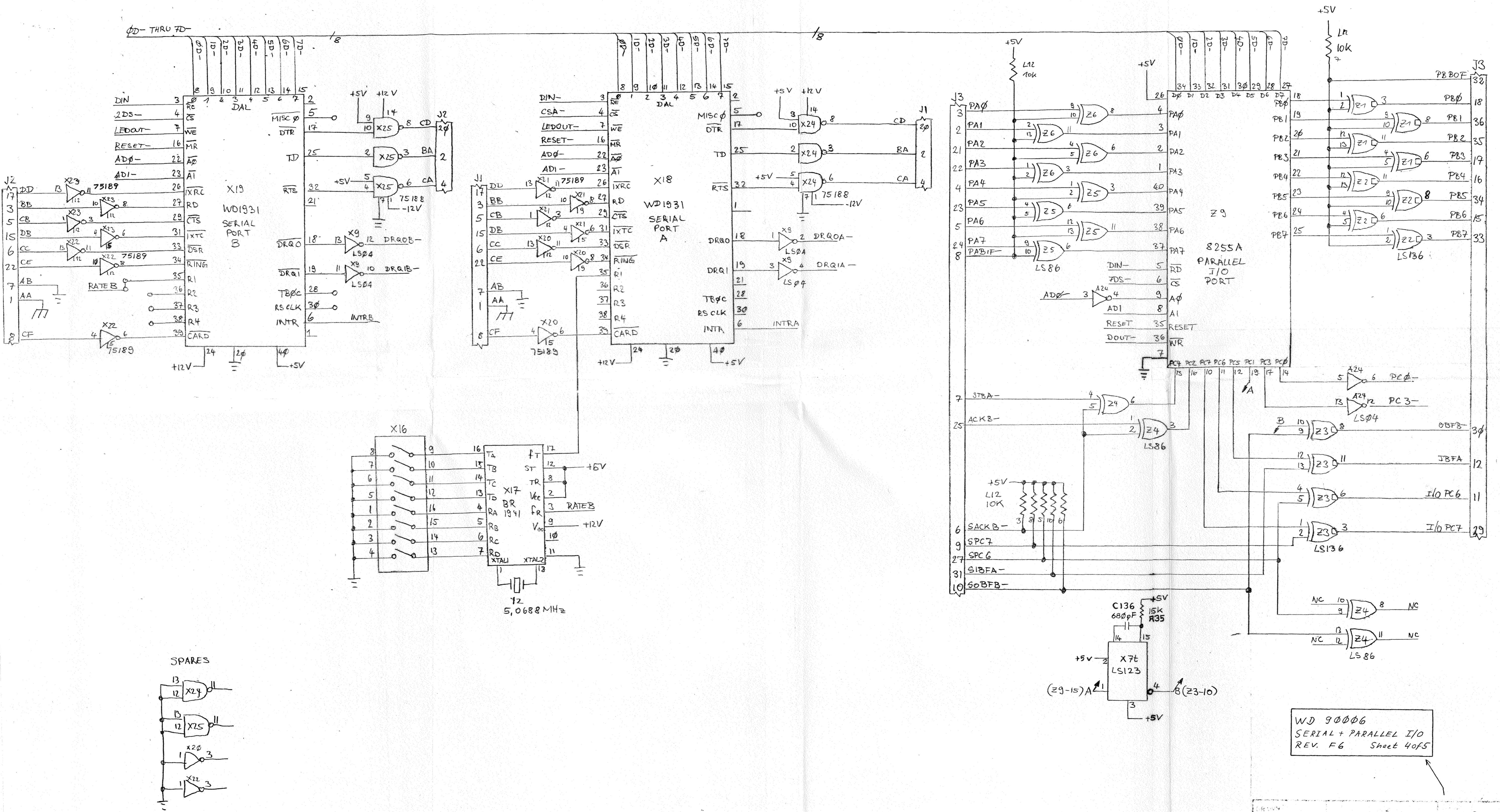
WD 90006  
32K X 16 MEMORY  
REV F6 Sheet 2 of 5

WESTERN DIGITAL	WD 90006
	32K X 16 MEMO
	2 5



WD 90006  
DMA and FLOPPY DISK INTERFACE  
REV. F6 Sheet 3 of 5

WD 90006  
DMA + FLOPPY  
INTERFACE



SPARES

WD 90006  
 SERIAL + PARALLEL I/O  
 REV. F6 Sheet 4 of 5

	GND	A1	B1	GND
	-5V	A2	B2	-5V
	GND	A3	B3	GND
	+12V	A4	B4	+12V
	-12V	A5	B5	-12V
	GND	A6	B6	GND
	+5V	A7	B7	+5V
	GND	A8	B8	GND
		A9	B9	2M REPLY
		A10	B10	
	FCD	A11	B11	
	REPLY IN	A12	B12	
	T2	A13	B13	T4
	T3	A14	B14	
		A15	B15	REPLY I
	LM REPLY	A16	B16	
		A17	B17	T1
		A18	B18	SYNC
		A19	B19	DOUT
		A20	B20	LACK
		A21	B21	BUSERNT
		A22	B22	DTN
	AD14	A23	B23	AD15
	AD12	A24	B24	AD13
	AD10	A25	B25	AD11
	AD08	A26	B26	AD9
	AD06	A27	B27	AD7
	AD04	A28	B28	AD5
	AD02	A29	B29	AD3
	AD00	A30	B30	AD1
		A31	B31	RESET PB
		A32	B32	
		A33	B33	WB
		A34	B34	
	5D	A35	B35	4D
	7D	A36	B36	6D
	14D	A37	B37	15D
	12D	A38	B38	13D
	9D	A39	B39	8D
	11D	A40	B40	10D
	2D	A41	B41	3D
	0D	A42	B42	1D
	GND	A43	B43	GND
	+5V	A44	B44	+5V
	GND	A45	B45	GND
	-12V	A46	B46	-12V
	+12V	A47	B47	+12V
	GND	A48	B48	GND
	-5V	A49	B49	-5V
	GND	A50	B50	GND

WD 90006 Microengine REV F6 Sheet 5 of 5 part 7