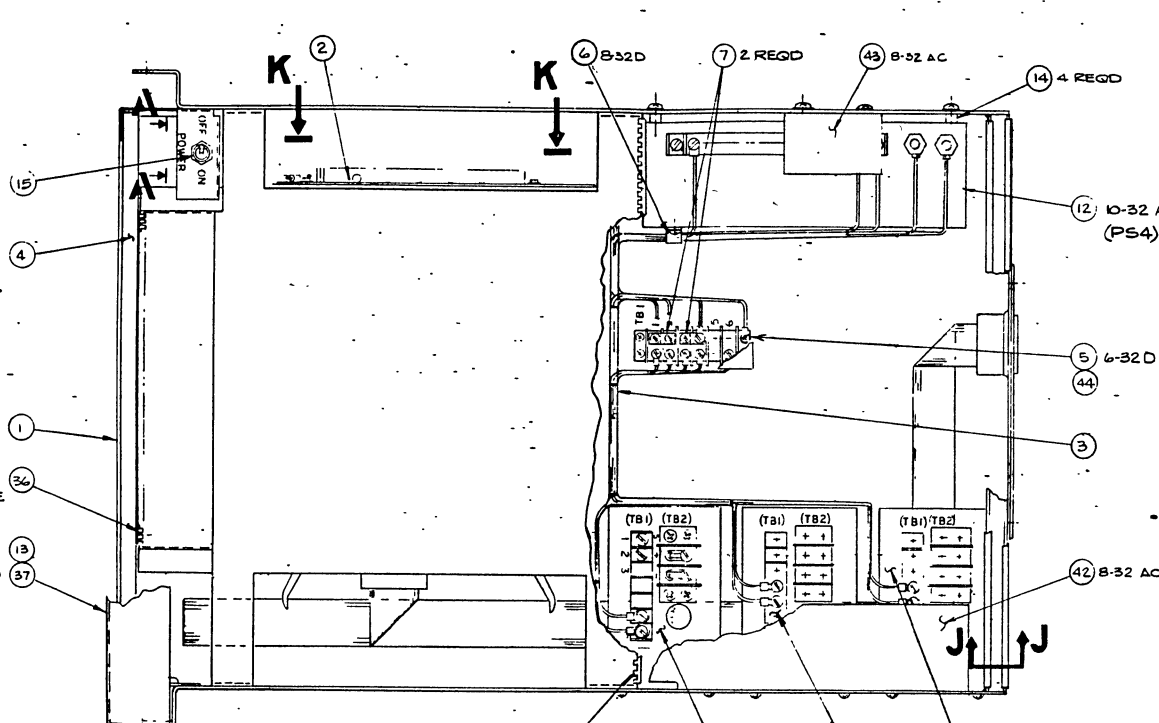
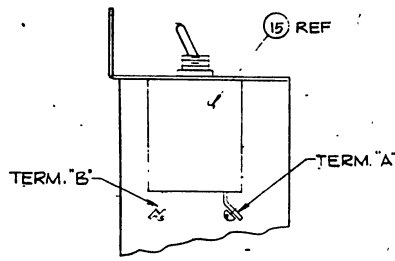


4. HAPCPAPE CALLOUTS PER XEROX SPEC 155-64.
5. TIGHTEN ALL SCREWS FROM 5 TO 12 INCH POINTS.
6. FOR MODULE LOCATIONS SEE CHART (SH 5).
7. MAY BE PURCHASED FROM L4 RESEARCH INC, SANTA ANA.

- NOTES, UNLESS OTHERWISE SPECIFIED
- 1 IDENTIFY ASSEMBLY PER XEROX SPEC 100198.
  - 2 MAY BE PURCHASED FROM SORENSEN COMPANY, MANCHESTER, NEW HAMPSHIRE.
  - 3 MAY BE PURCHASED FROM WOOD ELECTRIC CORP, LYNN, MASSACHUSETTS. VENDOR PART NO.

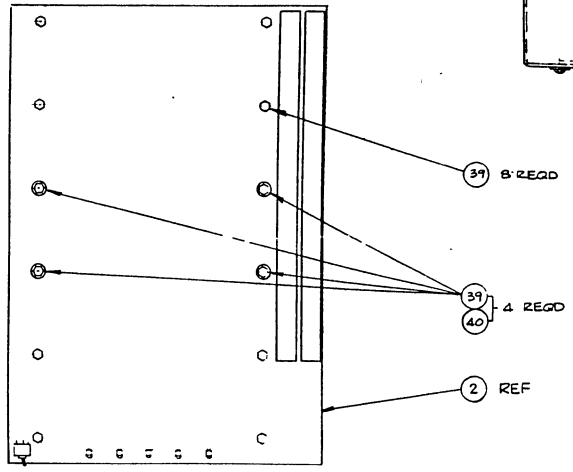
| REV. NO. |   | DESCRIPTION  | CHK | DATE     | APPROVED |
|----------|---|--|-----|----------|----------|
| A        | 1 | ENGRG RELEASE  | AW  | 1-22-74  | AW       |
| B        | 2 | REVISED F/D & M/L TO REFLECT NEW SUBCHASSIS  | AW  | 7-27-74  | AW       |
| C        | 3 | ADDED VENDOR P/N TO M/L ITEMS 10, 11, 12, 13, 15. ADDED P/N TO ITEM 34.                    | AW  | 8-5-74   | AW       |
| D        | 4 | ADDED ITEMS 42 & 43, 44.   | AW  | 9-23-74  | AW       |
| E        | 5 | SERIAL NO. 2164 SUP. M/L ITEM 20 P/N WAS 216573. MODULE CHART SLOT 11 ASSY NO. WAS 216575. | AW  | 10-14-74 | AW       |



ATTACH WITH SUITABLE ADHESIVE

ATTACH WITH SUITABLE ADHESIVE (FULL LENGTH)

ATTACH WITH SUITABLE ADHESIVE (FULL LENGTH)



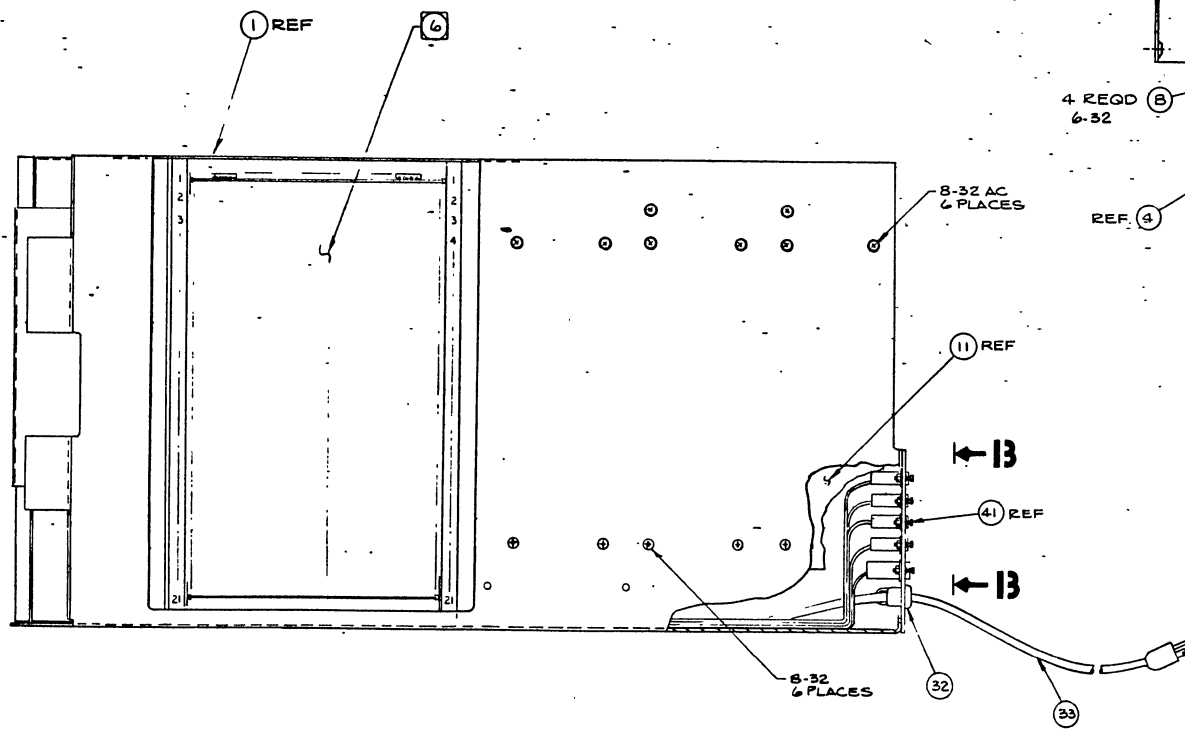
SECTION J-J  
SCALE: 1/1

**ENGINEERING  
RELEASE**

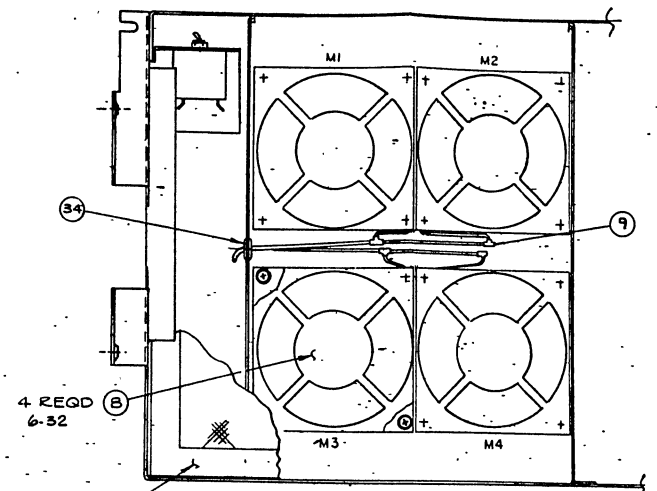
DIST CODE ALT

|  |  |             |      |                                |              |
|--|--|-------------|------|--------------------------------|--------------|
| NOTES UNLESS SPECIFIED                       |  | DRAWN       | DATE | XEROX                          |              |
| 1. TOLERANCES UNLESS OTHERWISE SPECIFIED     | 2. DIMENSIONED ANGLES 30° 45° 90° 112.5° | CHECK       | DATE | TITLE                          |              |
| 3. BREAK ALL SHARP EDGES R10 APPROX.         | 4. ALL DIM IN INCHES                     | APPR.       | DATE | ALTO II                        |              |
| 5. ALL TRUE POSITION TOLERANCES APPLY AT BNC |  | MATERIAL    |      | ASSEMBLY,<br>PROCESSOR CHASSIS |              |
| MODEL NO. FIRST USE                          | FINISH                                   | CODE IDENT. |      | SIZE                           | DWG. NO.     |
| ALTO II                                      |  | 18338       |      | D                              | 216302       |
| NEXT ASSY. FIRST USE                         |  | SCALE       |      | DO NOT SCALE DRAWING           | SHEET 1 OF 3 |
| 216299                                       |  | 1/2         |      |                                |              |

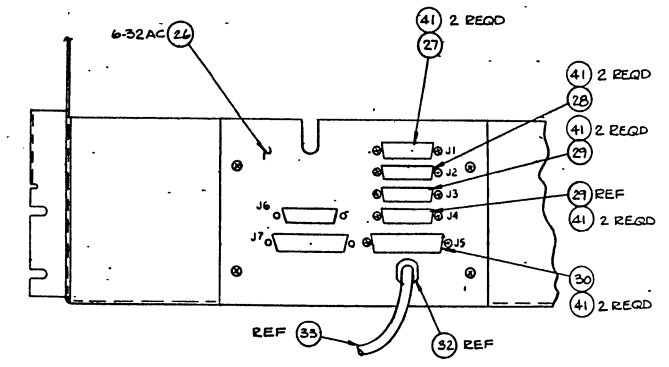
| LAL REV. |  | REVISIONS | CHK | DATE | APPROVED |
|----------|--|-----------|-----|------|----------|
|          |  | SEE SH 1  |     |      | 216302 E |



VIEW C-C  
(SEE SH 1)  
FRONT COVER (ITEM 13) NOT SHOWN



VIEW D-D  
FRONT COVER (ITEM 13) NOT SHOWN



VIEW B-B

|                                      |                                      |                        |                             |                      |               |
|--------------------------------------|--------------------------------------|------------------------|-----------------------------|----------------------|---------------|
| NOTES UNLESS SPECIFIED               |                                      | DRAWN <i>R. J. ...</i> | XEROX                       |                      | DIST CODE ALT |
| 1. TOLERANCES UNLESS SPECIFIED       | 2. DIMENSIONS ANGLES                 | CHECK                  | TITLE                       |                      |               |
| 3. HOLE AND DRILL SIZES              | 4. APPROX.                           | APPR.                  | ALTO II                     |                      |               |
| 5. HOLE SURFACES                     | 6. ALL DIM. IN INCHES                | MATERIAL               | ASSEMBLY, PROCESSOR CHASSIS |                      |               |
| 7. ALL TYPED DIMENSIONS APPLY AT DIM | 8. ALL TYPED DIMENSIONS APPLY AT DIM | FINISH                 | CODE IDENT.                 | SIZE                 | DWG. NO.      |
| MODEL NO. ALTO II                    | FIRST USE EWO7YF92                   |                        | 18338                       | D                    | 216302        |
| NEXT ASSEMBLY FIRST USE 216299       |                                      |                        | SCALE 1/2                   | DO NOT SCALE DRAWING | SHEET 2 OF 5  |

**Material List**

| Rev. E             |  | Drawing Title                              |          | ML  |  | Drawing No. 216302 |  | Rev. E          |  |
|--------------------|--|--|----------|---|--|--------------------|--|-----------------|--|
| Drawing No. 216302 |  | ALTO II<br><br>ASSEMBLY, PROCESSOR CHASSIS |          | These drawings and specifications, and the data contained therein, are the exclusive property of Xerox Corporation and/or Rank Xerox, Ltd. issued in strict confidence and shall not, without the prior written permission of Xerox Corporation or Rank Xerox, Ltd., be reproduced, copied or used for any purpose whatsoever, except the manufacture of articles for Xerox Corporation or Rank Xerox, Ltd. |  |                    |  |                 |  |
|                    |  |  |          | Model No. ALTO II<br>EWO 71F92  |  | Date<br>1/13/76    |  | Sheet<br>3 of 5 |  |
| Item No.           | Drawing Title                          | Drawing No.                                | No. Req. | Remarks   |  |                    |  |                 |  |
| 1                  | Subchassis, Processor                  | 216398                                     | 1        |   |  |                    |  |                 |  |
| 2                  | Assy, Backwiring Board                 | 216305                                     | 1        |   |  |                    |  |                 |  |
| 3                  | Assy, Harness - Power Wiring           | 216425                                     | 1        |   |  |                    |  |                 |  |
| 4                  | Filter, Panel                          | 216301                                     | 1        |   |  |                    |  |                 |  |
| 5                  | Block, Terminal Barrier                | 100094-006                                 | 1        | TB 1  |  |                    |  |                 |  |
| 6                  | Clamp, Cable - Nylon                   | 100657-003                                 | 1        |   |  |                    |  |                 |  |
| 7                  | Plate, Jumper                          | 111480                                     | 2        |   |  |                    |  |                 |  |
| 8                  | Fan, Tubeaxial - 75 CFM                |  | 4        | Rotron #WR2H1   |  |                    |  |                 |  |
| 9                  | Assy, Cable - Fan                      | 216432                                     | 1        |   |  |                    |  |                 |  |
| 10                 | Power Supply, ±15V, 12A P/N SSD15-12   |  | 2        | PS1, PS2 (2)  |  |                    |  |                 |  |
| 11                 | Power Supply, +12V, 15A P/N SSD12-15   |  | 1        | PS3 (2)   |  |                    |  |                 |  |
| 12                 | Power Supply, 5V, 75A P/N MM720332Y115 |  | 1        | PS4 (7)   |  |                    |  |                 |  |
| 13                 | Assy, Front Cabinet Cover              | 216363                                     | 1        |   |  |                    |  |                 |  |
| 14                 | Spacer, Round                          | 107132-010                                 | 4        |   |  |                    |  |                 |  |
| 15                 | Circuit Breaker, 15A P/N 112-220-101   |  | 1        | CB 1 (3)  |  |                    |  |                 |  |
| 16                 | Assy, P.W. - 32K x 10                  | 216273                                     | 4        | (6)   |  |                    |  |                 |  |
| 17                 | Memory Data Interface                  | 216312                                     | 1        |   |  |                    |  |                 |  |
| 18                 | Memory Address Interface               | 216347                                     | 1        |   |  |                    |  |                 |  |
| 19                 | Control RAM                            | 216365                                     | 1        |   |  |                    |  |                 |  |
| 20                 | Control Board, 2 K                     | 216484                                     | 1        |   |  |                    |  |                 |  |
| 21                 | Arithmetic Logic Unit                  | 216381                                     | 1        |   |  |                    |  |                 |  |
| 22                 | Display Control                        | 216339                                     | 1        |   |  |                    |  |                 |  |
| 23                 | Disk Control                           | 216389                                     | 1        |   |  |                    |  |                 |  |
| 24                 | Ethernet                               | 216323                                     | 1        |   |  |                    |  |                 |  |
| 25                 | Assy, P.W. - Terminator Module         | 216421                                     | 1        | (6)   |  |                    |  |                 |  |
| 26                 | Plate, Connector                       | 216418                                     | 1        |   |  |                    |  |                 |  |
| 27                 | Assy, Cable - Ethernet (Internal)      | 216413                                     | 1        |   |  |                    |  |                 |  |
| 28                 | Display (Internal)                     | 216412                                     | 1        |   |  |                    |  |                 |  |
| 29                 | Hytype (Internal)                      | 216416                                     | 1        |   |  |                    |  |                 |  |
| 30                 | Keyboard (Internal)                    | 216414                                     | 1        |   |  |                    |  |                 |  |
| 31                 | Assy, Cable - CRAM (Internal)          | 216415                                     | 1        |   |  |                    |  |                 |  |
| 32                 | Bushing, Strain Relief                 | 137262-004                                 | 1        |   |  |                    |  |                 |  |
| 33                 | Cord, Power                            | 101431                                     | 1        |   |  |                    |  |                 |  |



6

MODULE LOCATION CHART

| SLOT | MODULE NAME                       | ASSY DWG NO. |
|------|-----------------------------------|--------------|
| 1    | ALTO II MEMORY - 32K x 10 STORAGE | 216237       |
| 2    | ALTO II MEMORY - 32K x 10 STORAGE | 216237       |
| 3    | ALTO II MEMORY - 32K x 10 STORAGE | 216237       |
| 4    | ALTO II MEMORY - 32K x 10 STORAGE | 216237       |
| 5    |                                   |              |
| 6    |                                   |              |
| 7    | ALTO II BUS TERMINATOR            | 216421       |
| 8    | ALTO II MEMORY DATA INTERFACE     | 216312       |
| 9    | ALTO II MEMORY ADDRESS INTERFACE  | 216347       |
| 10   | ALTO II CONTROL RAM               | 216365       |
| 11   | ALTO II CONTROL BOARD, 2K         | 216484       |
| 12   | ALTO II ARITHMETIC LOGIC UNIT     | 216381       |
| 13   | ALTO II DISPLAY CONTROL           | 216339       |
| 14   | ALTO II ETHERNET                  | 216323       |
| 15   |                                   |              |
| 16   |                                   |              |
| 17   |                                   |              |
| 18   |                                   |              |
| 19   |                                   |              |
| 20   |                                   |              |
| 21   | ALTO II DISK CONTROL              | 216339       |

|   |                             |   |
|---|-----------------------------|---|
| TITLE<br>ALTO II<br><br>ASSEMBLY, PROCESSOR CHASSIS | Xerox Data Systems<br>XEROX |   |
|   | 216302                      | E |
|   | SHEET 5 OF 5                |   |