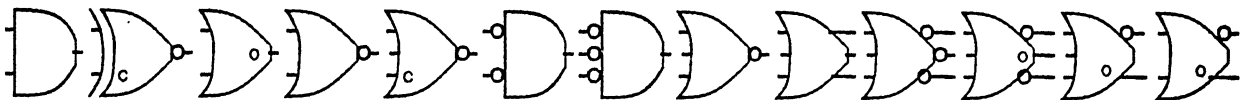
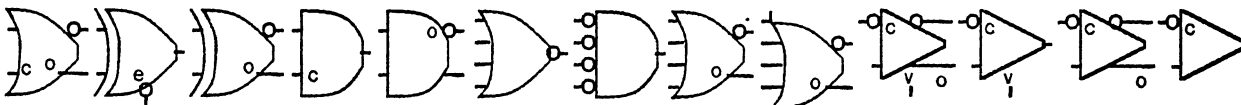


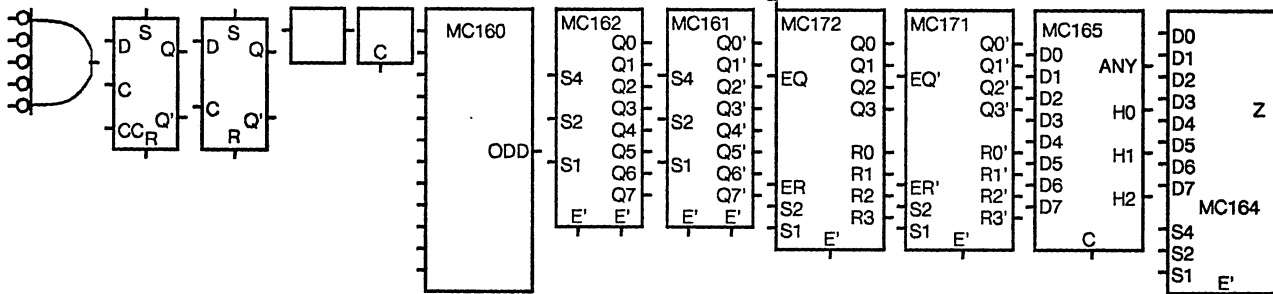
A-M



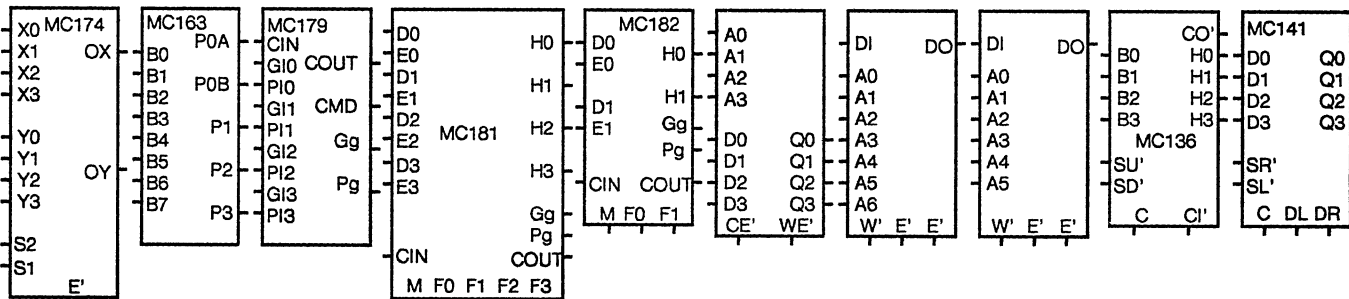
N-Z



a-l

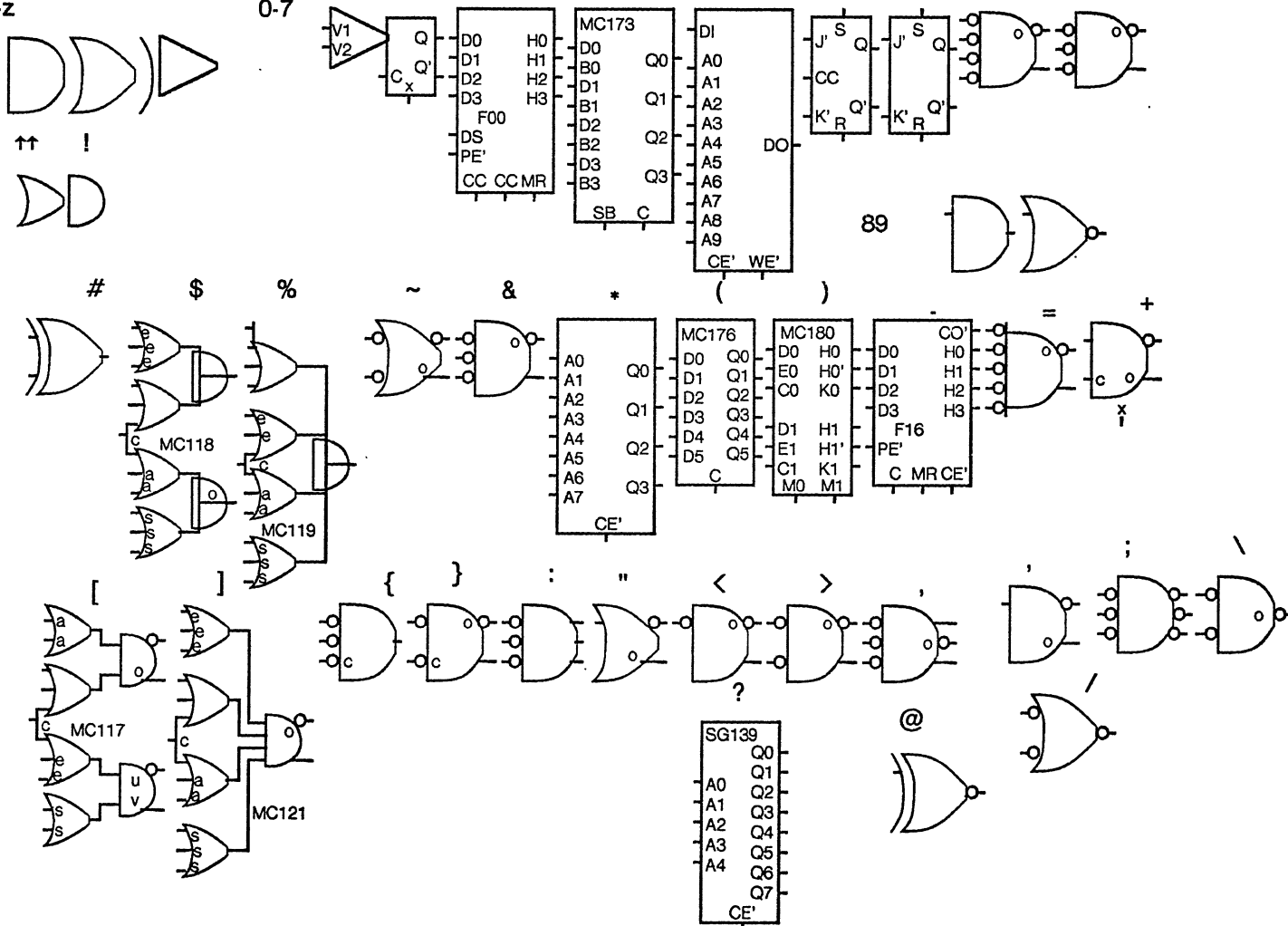


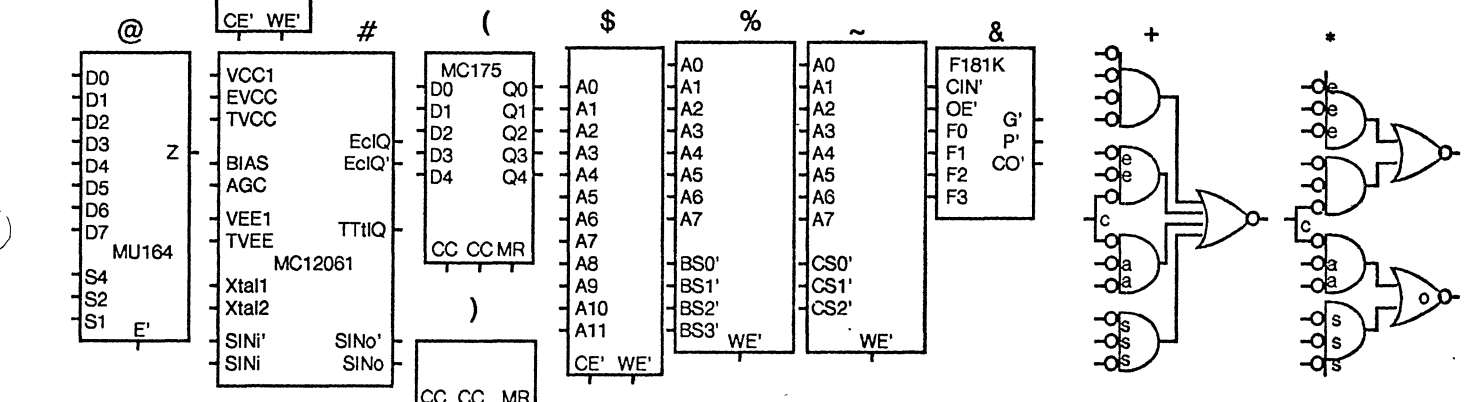
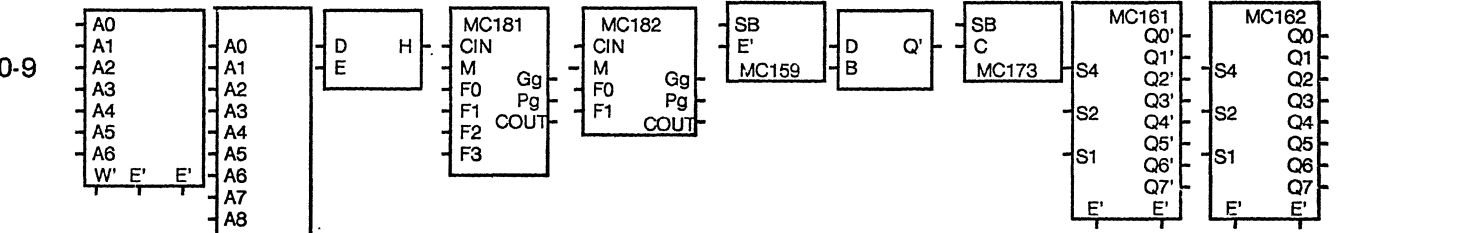
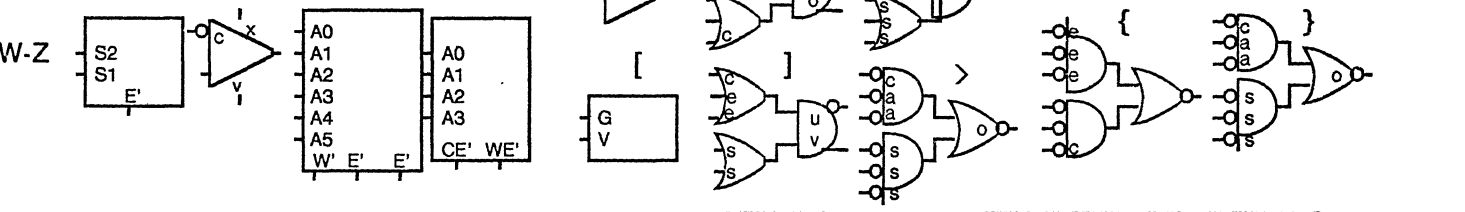
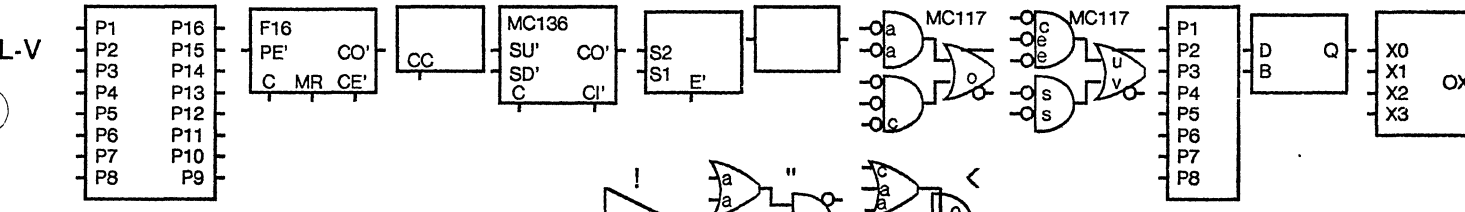
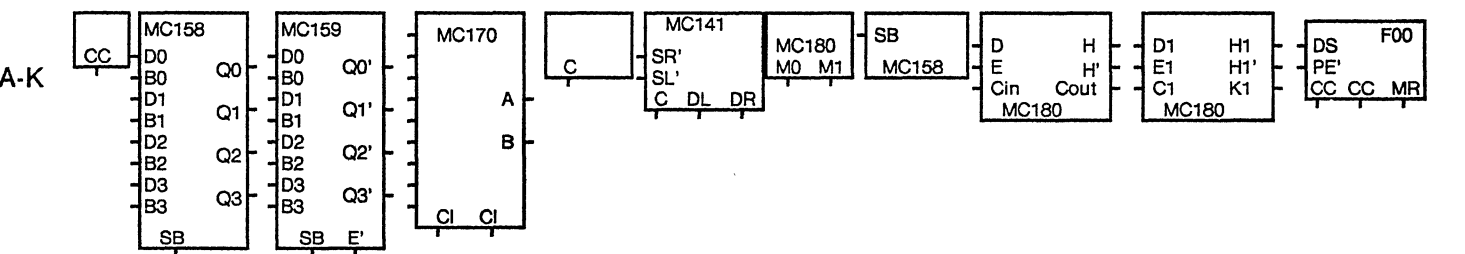
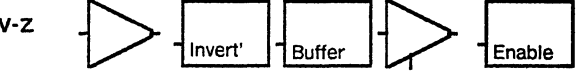
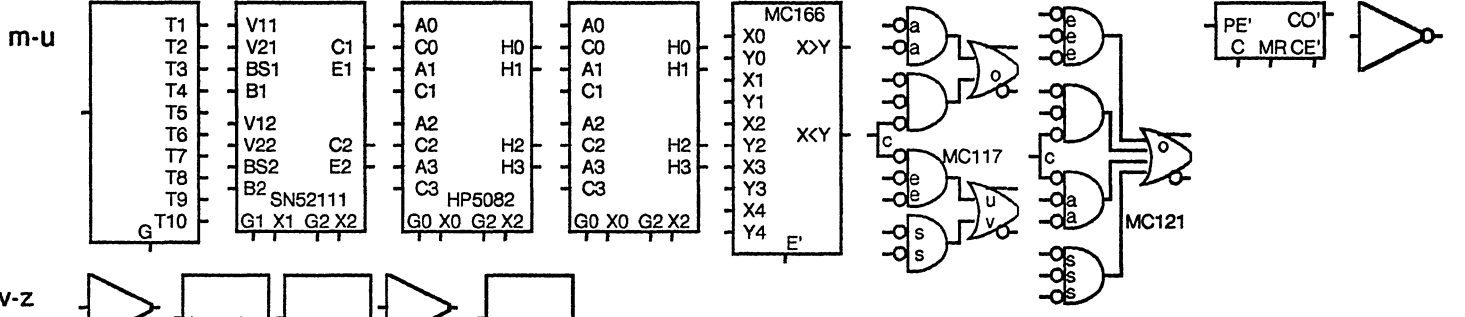
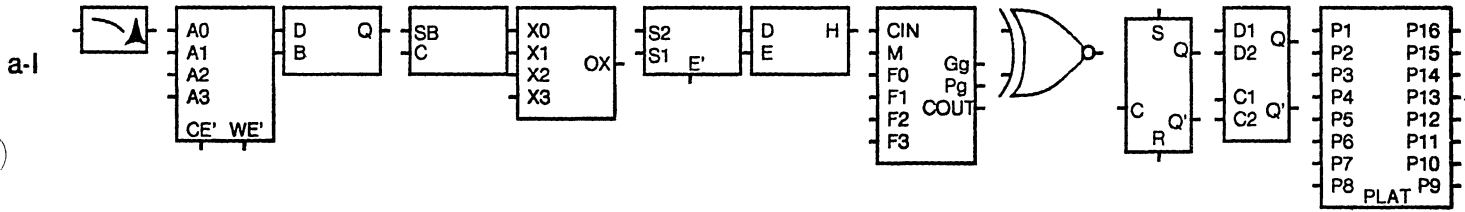
m-v



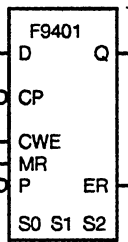
w-z

0-7

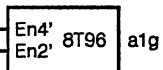




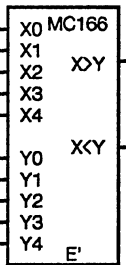
DskEth
X



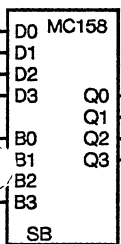
8T96 enable
a



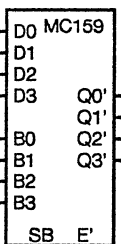
q



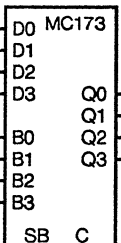
B



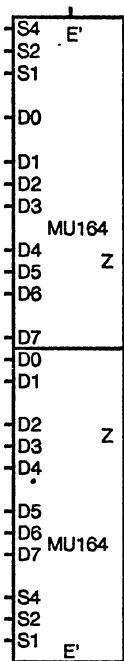
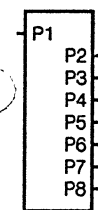
C



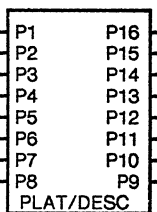
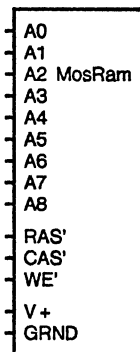
3



T

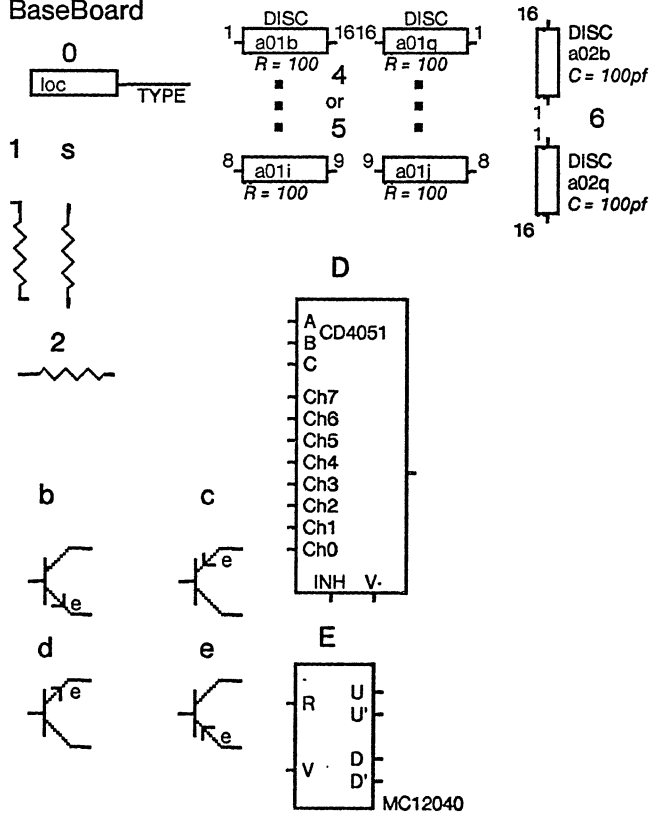


Common stuff



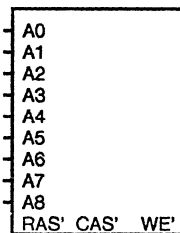
Just a little
bigger

BaseBoard



section a = "I"
section b to q
for pin #1 to 16
on the left/bottom

Memx



DispY

