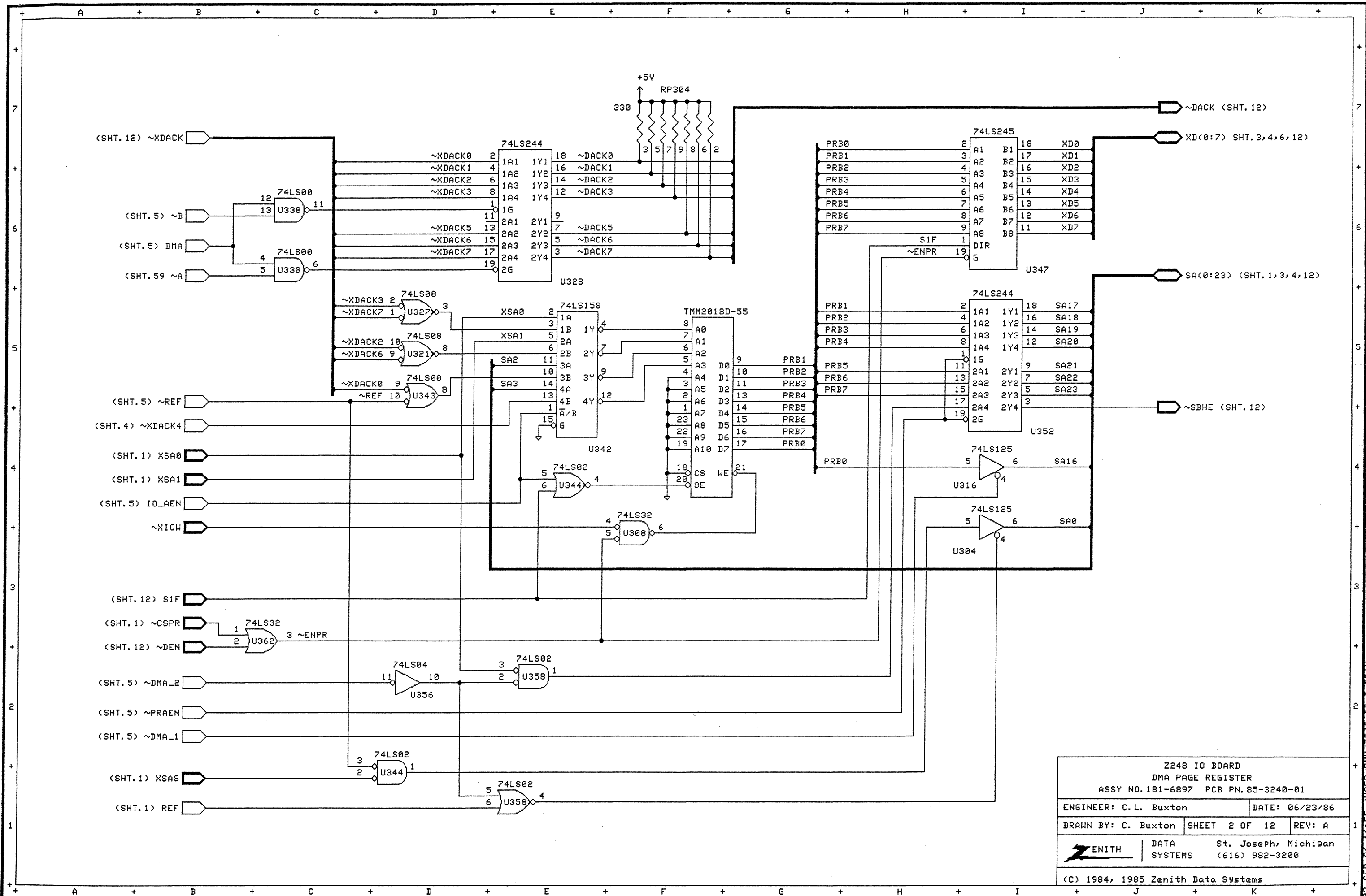


<b>Z248 IO BOARD</b> ADDRESS DECODE/CONTROL LOGIC ASSY NO. 181-6897 PCB PN. 85-3240-01		
ENGINEER: C. L. Buxton	DATE: 06/23/86	
DRAWN BY: C. Buxton	SHEET 1 OF 12	REV: A
	DATA	St. Joseph, Michigan
	SYSTEMS	(616) 982-3200
(C) 1984, 1985 Zenith Data Systems		

03 SEP 86 16:54 / USER/RNN/2248\_IU 1. DRAM

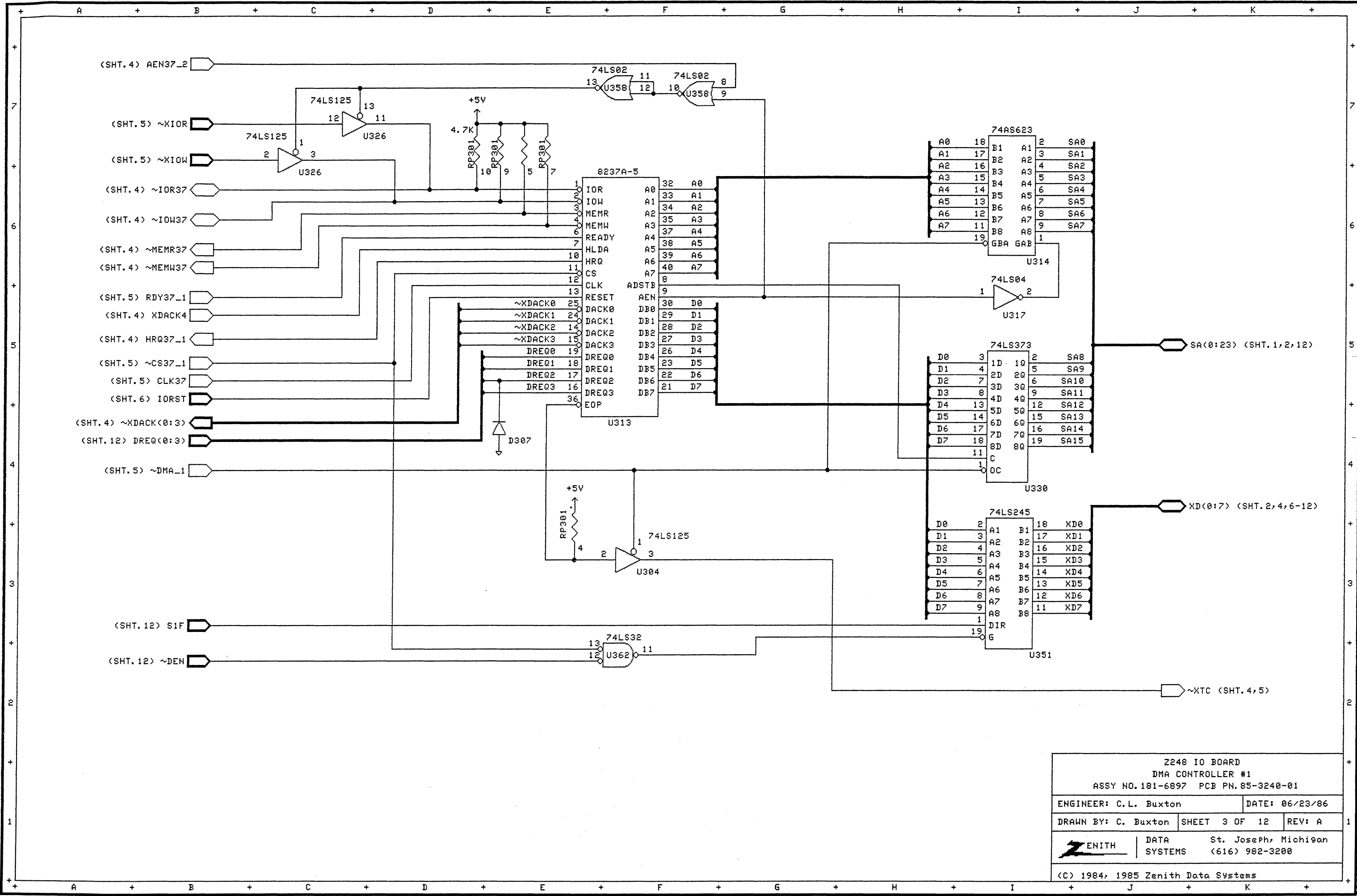


Z248 IO BOARD  
 DMA PAGE REGISTER  
 ASSY NO. 181-6897 PCB PN. 85-3240-01

ENGINEER: C.L. Buxton	DATE: 06/23/86
DRAWN BY: C. Buxton	SHEET 2 OF 12 REV: A
ZENITH DATA SYSTEMS	St. Joseph, Michigan (616) 982-3200

(C) 1984, 1985 Zenith Data Systems

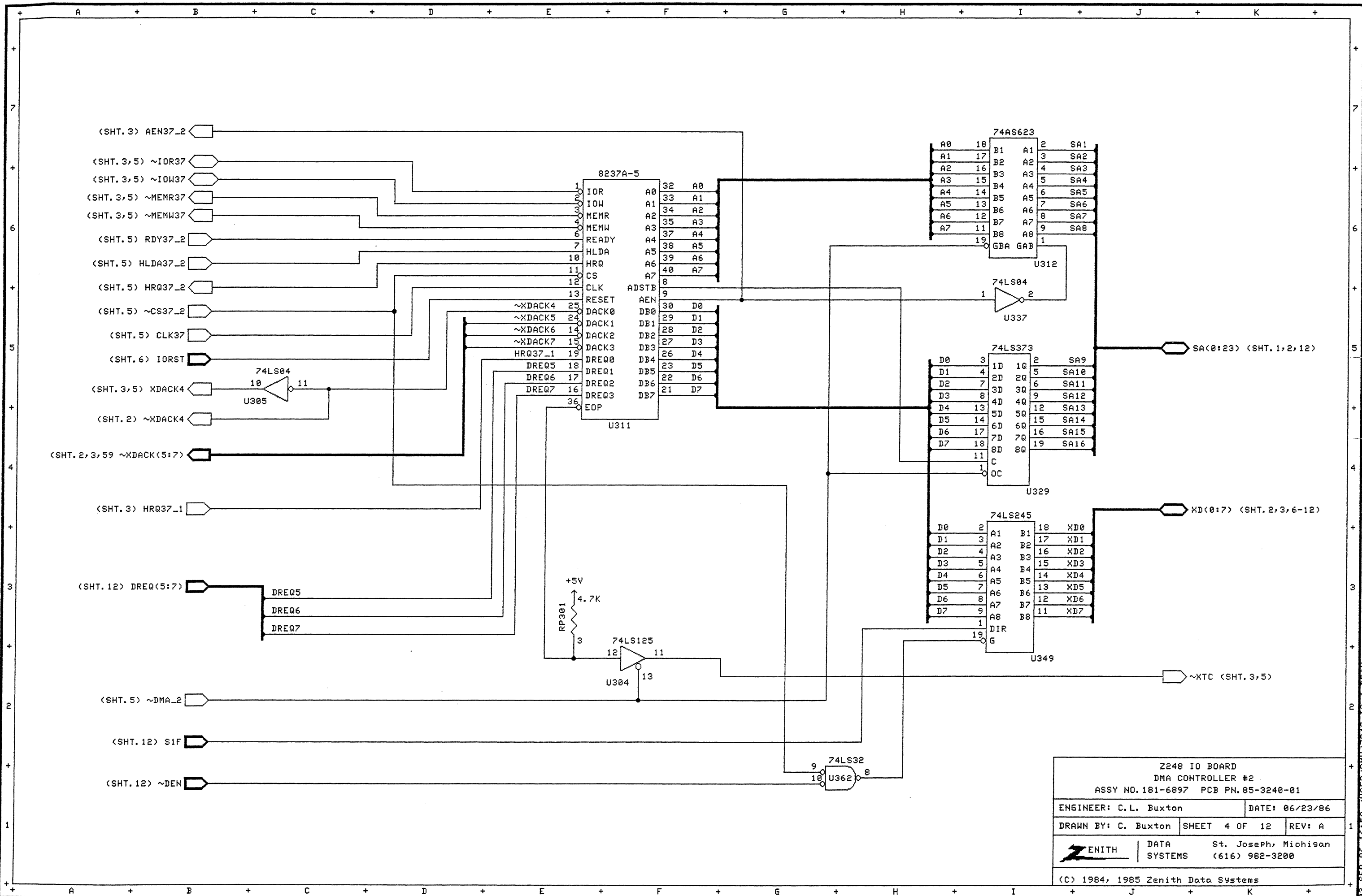
03 SEP 86 16:55 70SER/RMN/Z248 IO B.DRAW



**Z248 IO BOARD**  
 DMA CONTROLLER #1  
 ASSY NO. 181-6897 PCB PN. 85-3240-01

ENGINEER: C.L. Buxton	DATE: 06/23/86
DRAWN BY: C. Buxton	SHEET 3 OF 12
DATA St. Joseph, Michigan SYSTEMS (616) 982-3200	
(C) 1984, 1985 Zenith Data Systems	

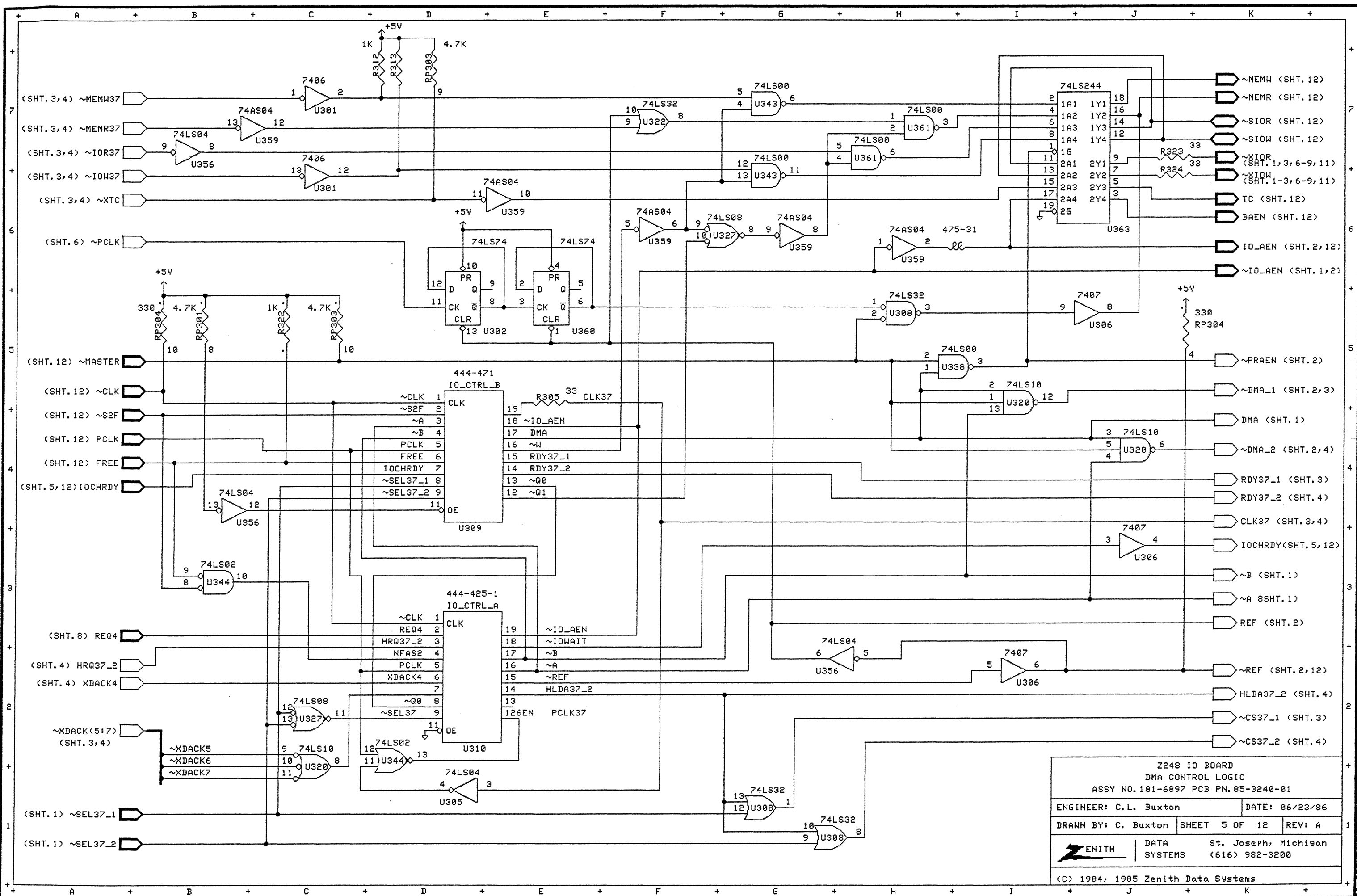
03 SEP 86 16:56 / USER:RMN/Z248\_I0 3.DRAW



**Z248 IO BOARD**  
**DMA CONTROLLER #2**  
 ASSY NO. 181-6897 PCB PN. 85-3240-01

ENGINEER: C.L. Buxton	DATE: 06/23/86
DRAWN BY: C. Buxton	SHEET 4 OF 12
<b>ZENITH DATA SYSTEMS</b> St. Joseph, Michigan (616) 982-3200	
(C) 1984, 1985 Zenith Data Systems	

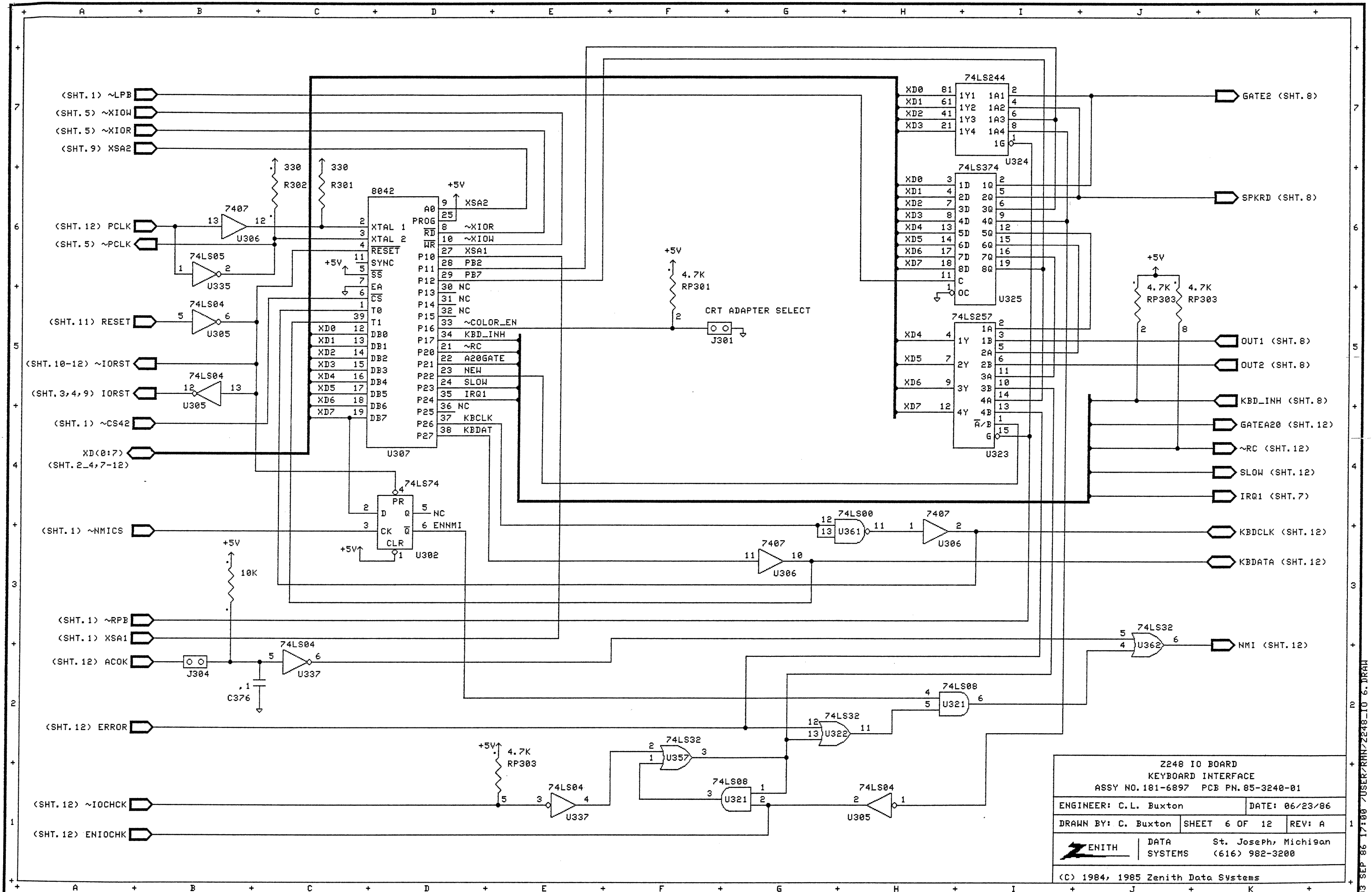
83 SEP 86 16:58 / USER:RHN/Z248-IO 4. DRAH



Z248 IO BOARD  
DMA CONTROL LOGIC  
ASSY NO. 181-6897 PCB PN. 85-3240-01

ENGINEER: C.L. Buxton	DATE: 06/23/86
DRAWN BY: C. Buxton	SHEET 5 OF 12
<b>ZENITH</b> DATA SYSTEMS <span style="float: right; font-weight: normal;">St. Joseph, Michigan (616) 982-3200</span>	
(C) 1984, 1985 Zenith Data Systems	

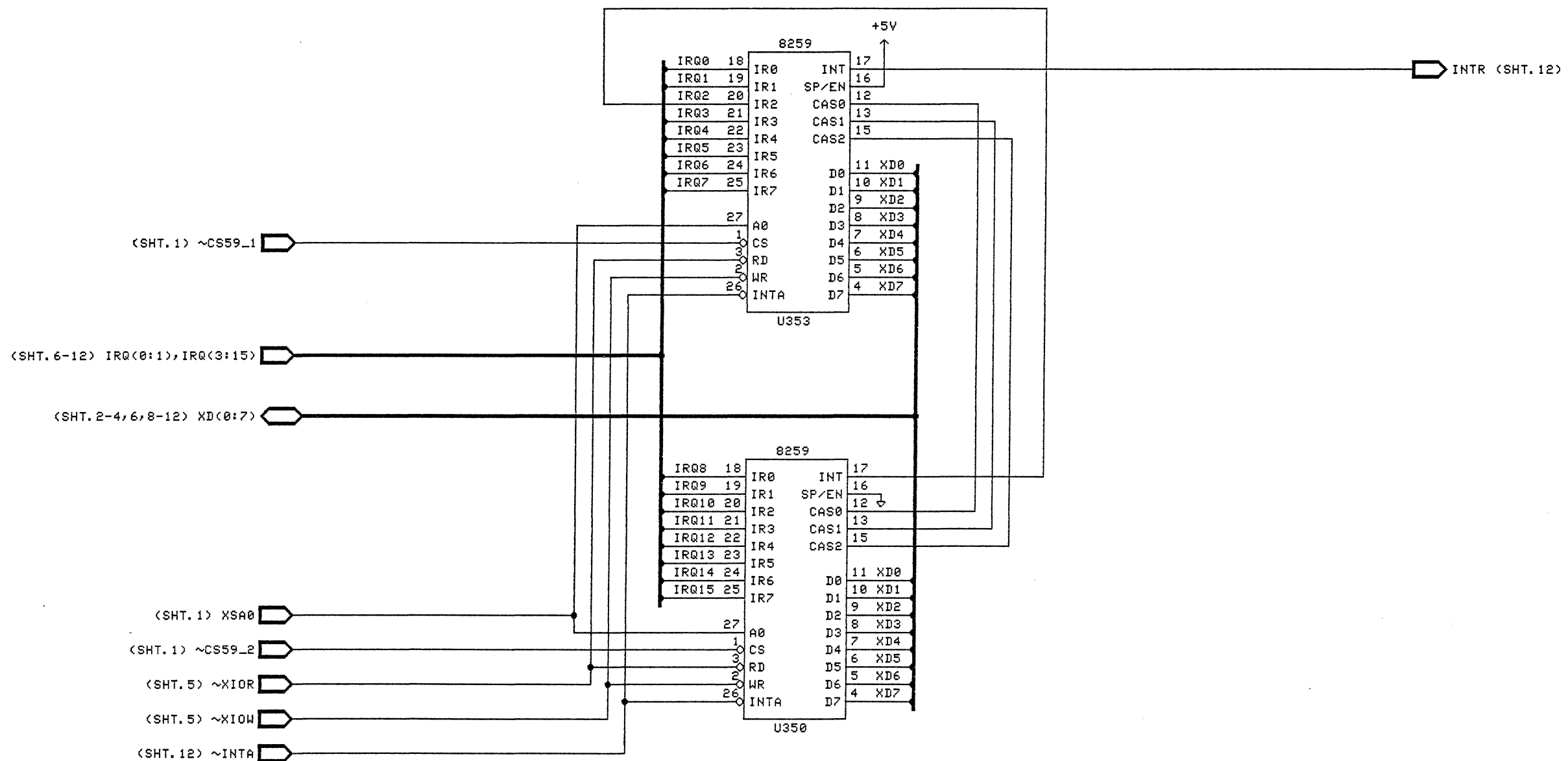
03 SEP 86 16:59 /USER/RIN/Z248.IO 5.DRAW




Z248 IO BOARD  
KEYBOARD INTERFACE  
ASSY NO. 181-6897 PCB PN. 85-3240-01

ENGINEER: C.L. Buxton	DATE: 06/23/86
DRAWN BY: C. Buxton	SHEET 6 OF 12
<b>ZENITH DATA SYSTEMS</b> St. Joseph, Michigan (616) 982-3200	
(C) 1984, 1985 Zenith Data Systems	

83 SEP 86 17:00 USER/RMN/Z248-IO 6. DRAM



Z248 IO BOARD INTERRUPT CONTROLLER ASSY NO. 181-6897 PCB PN. 85-3240-01		
ENGINEER: C. L. Buxton	DATE: 06/23/86	
DRAWN BY: C. Buxton	SHEET 7 OF 12	REV: A
 ZENITH	DATA SYSTEMS	St. Joseph, Michigan (616) 982-3200
(C) 1984, 1985 Zenith Data Systems		

03 SEP 86 17:02 /USER/RMN/Z248\_10 7. DRAM

A + B + C + D + E + F + G + H + I + J + K +

7

6

5

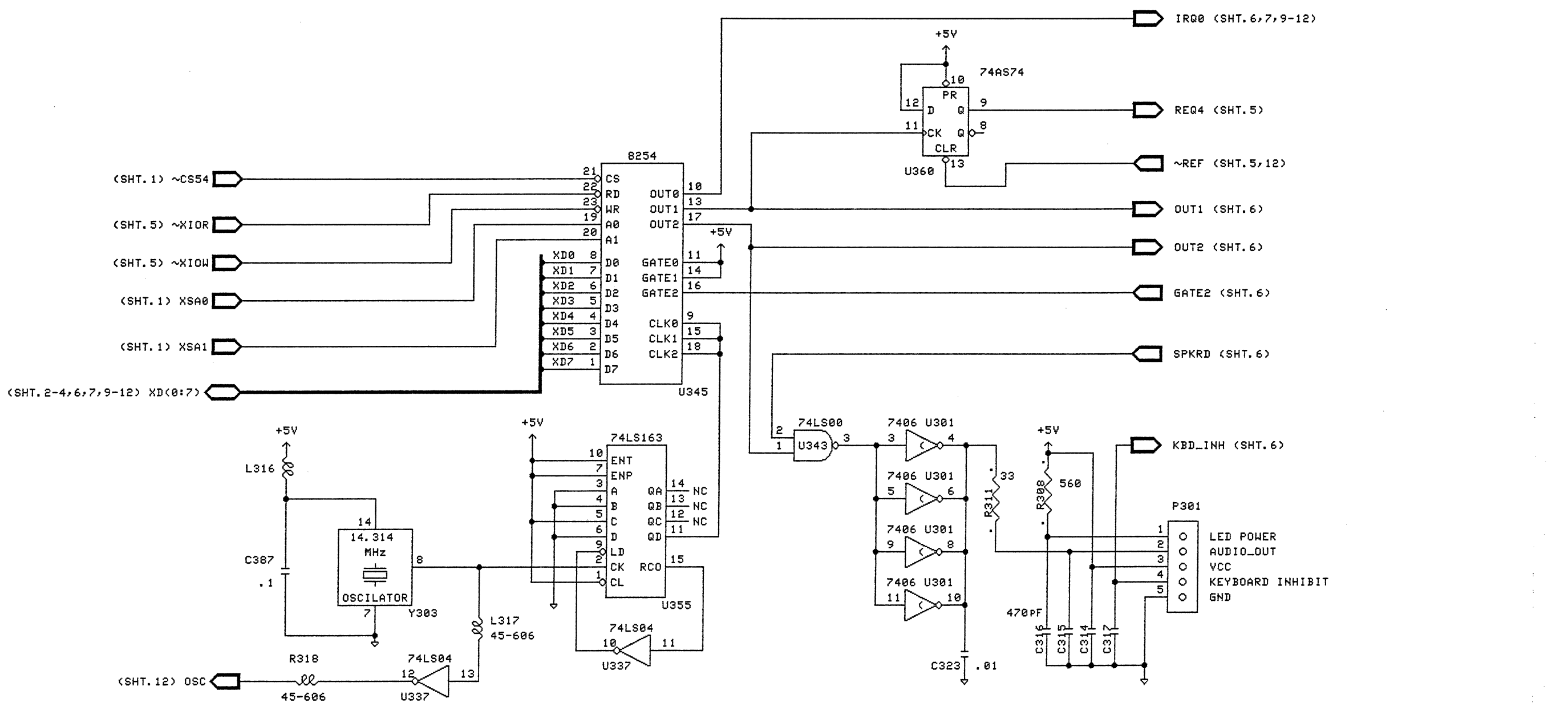
4

3

2

1

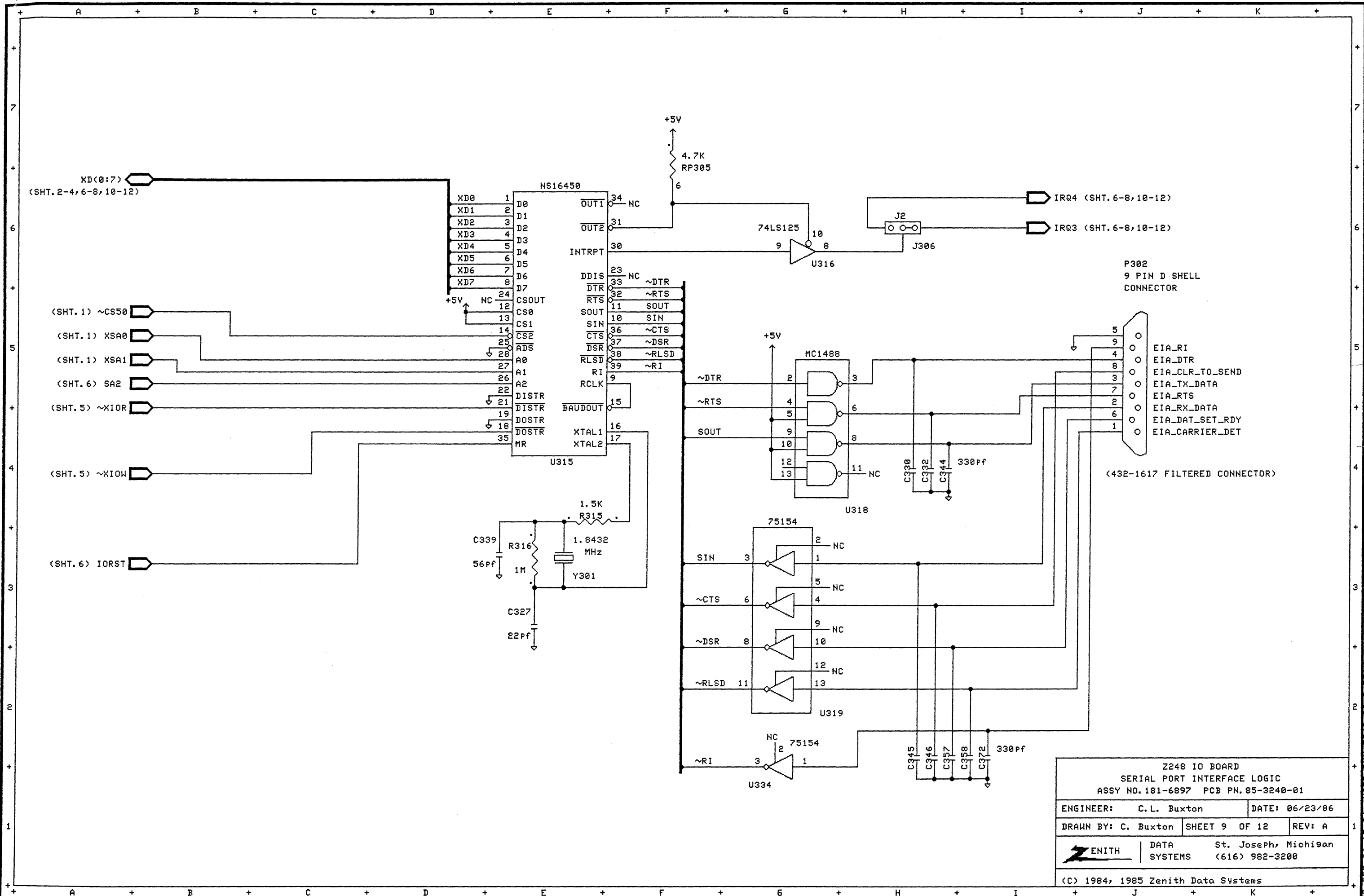
A + B + C + D + E + F + G + H + I + J + K +



Z248 IO BOARD TIMER AND SPEAKER INTERFACE ASSY NO. 181-6897 PCB PN. 85-3240-01		
ENGINEER: C.L. Buxton	DATE: 08/19/86	
DRAWN BY: C. Buxton	SHEET 8 OF 12	REV: A
<b>ZENITH</b> DATA	St. Joseph, Michigan SYSTEMS (616) 982-3200	
(C) 1984, 1985 Zenith Data Systems		

83 SEP 86 17:03 70SER/RNN/2248\_I0 B.DRAW

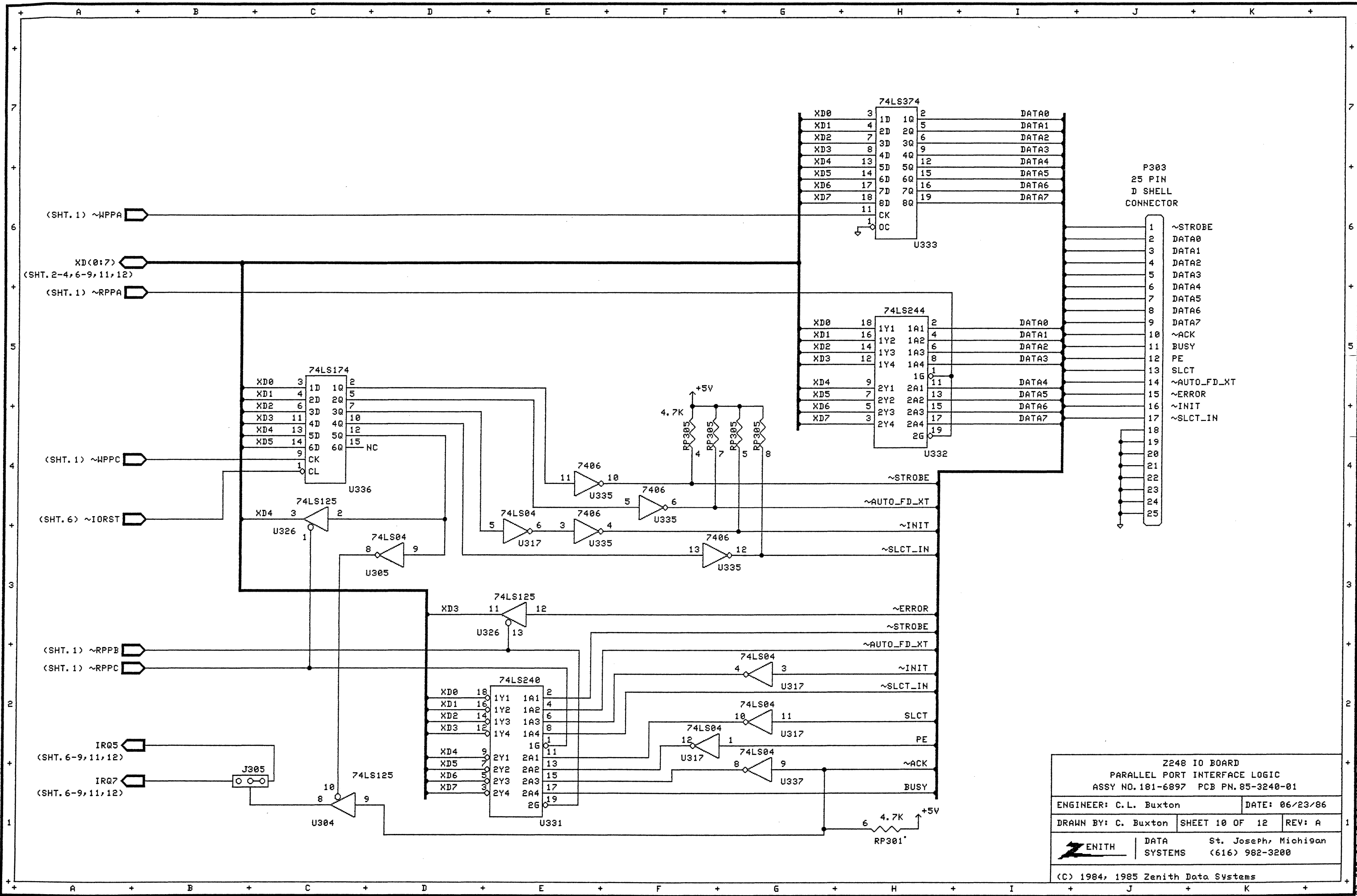




2248 IO BOARD  
 SERIAL PORT INTERFACE LOGIC  
 ASSY NO. 181-6897 PCB PN. 85-3240-01

ENGINEER: C. L. Buxton	DATE: 06/23/86
DRAWN BY: C. Buxton	SHEET 9 OF 12
DATA SYSTEMS St. Joseph, Michigan (616) 982-3200	
(C) 1984, 1985 Zenith Data Systems	

03 SEP 86 17:04 / USER/RIN/2248-10 9. DRAM



Z248 IO BOARD  
PARALLEL PORT INTERFACE LOGIC  
ASSY NO. 181-6897 PCB PN. 85-3240-01

ENGINEER: C.L. Buxton	DATE: 06/23/86
DRAWN BY: C. Buxton	SHEET 10 OF 12 REV: A
<b>ZENITH</b>	DATA St. Joseph, Michigan SYSTEMS (616) 982-3200
(C) 1984, 1985 Zenith Data Systems	

83 SEP 86 17:06 USER:RMN/Z248\_IO 10.DRAW

A + B + C + D + E + F + G + H + I + J + K +

7

6

5

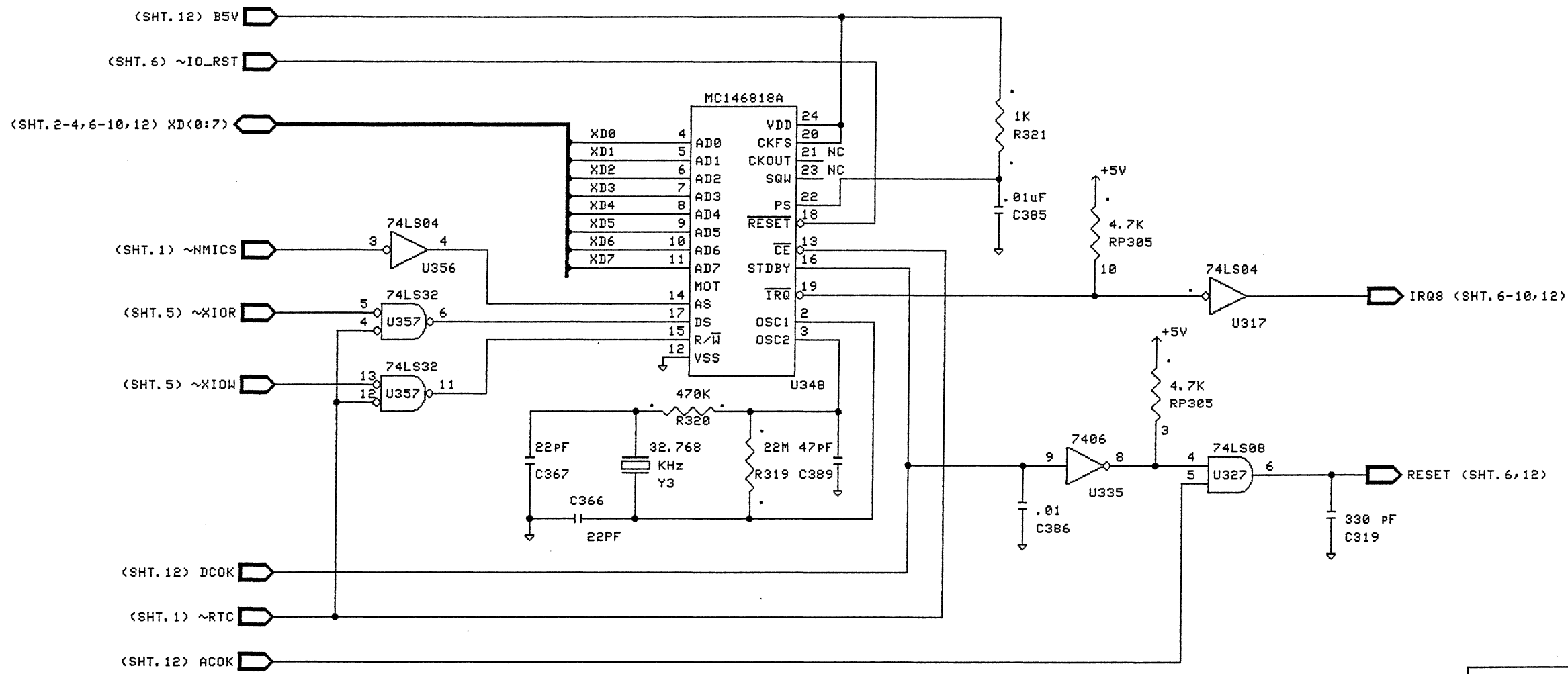
4


3

2

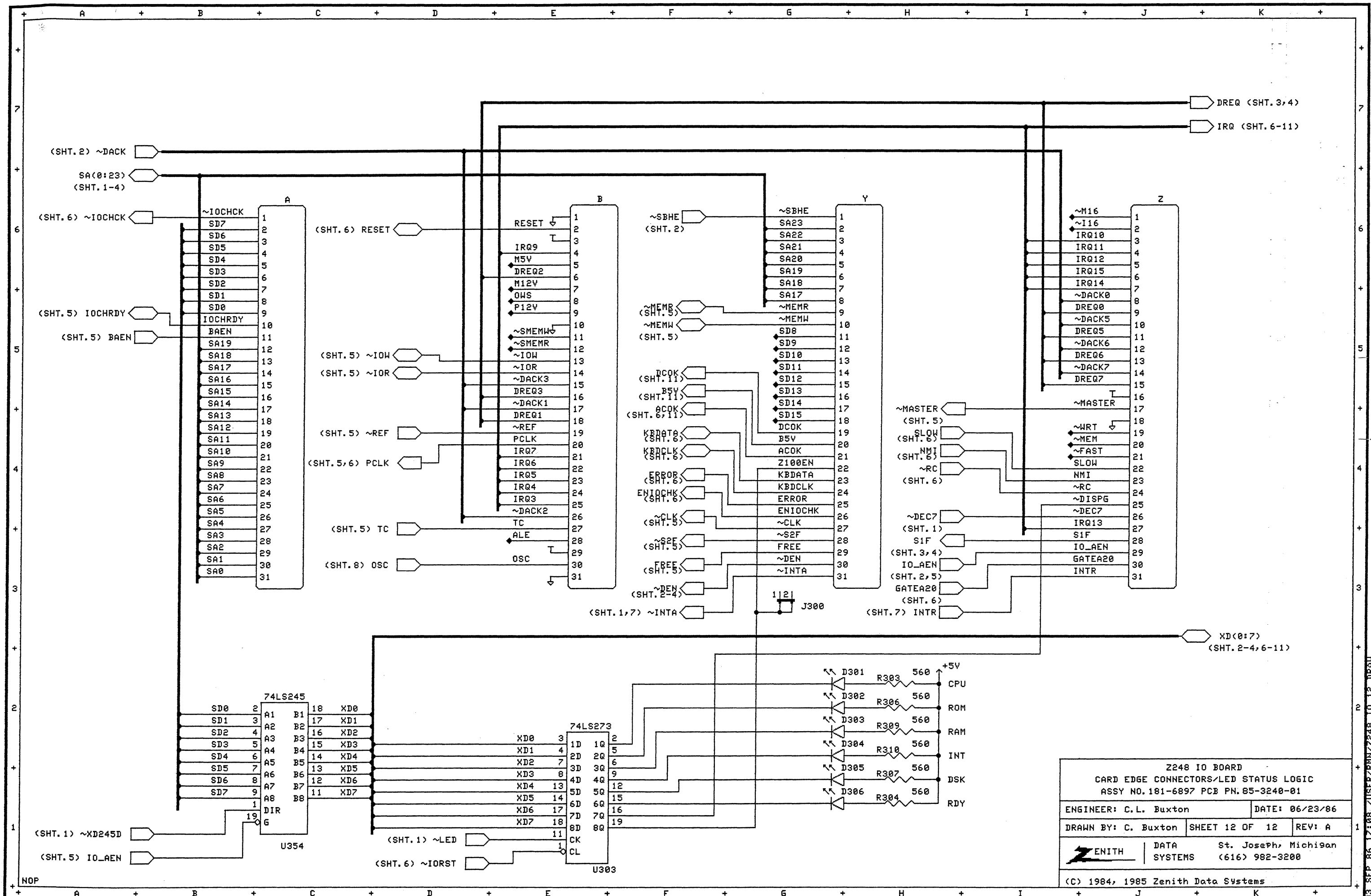
1

A + B + C + D + E + F + G + H + I + J + K +



Z248 IO BOARD		
REAL TIME CLOCK INTERFACE LOGIC		
ASSY NO. 181-6897 PCB PN. 85-3240-01		
ENGINEER: C. L. Buxton	DATE: 06/23/86	
DRAWN BY: C. Buxton	SHEET 11 OF 12	REV: A
 ZENITH	DATA SYSTEMS	St. Joseph, Michigan (616) 982-3200
(C) 1984, 1985 Zenith Data Systems		

03 SEP 86 17:07 USER/RMN/Z248\_10 11. DRAM



**Z248 IO BOARD**  
 CARD EDGE CONNECTORS/LED STATUS LOGIC  
 ASSY NO. 181-6897 PCB PN. 85-3240-01

ENGINEER: C.L. Buxton	DATE: 06/23/86
DRAWN BY: C. Buxton	SHEET 12 OF 12
<b>ZENITH SYSTEMS</b>	
St. Joseph, Michigan (616) 982-3200	

(C) 1984, 1985 Zenith Data Systems

03 SEP 86 17:08 / USER/RN7248-10 12.DRAW