

# HP 18265A DDCMP Analysis

for the HP 4952A Protocol Analyzer

User's  
Guide

# HP 4952A Protocol Analyzer

## HP 18265A DDCMP Analysis User's Guide



# Notice

---

Hewlett-Packard makes no warranty of any kind with regard to this material, including, but not limited to, the implied warranties of merchantability and fitness for a particular purpose. Hewlett-Packard shall not be liable for errors contained herein or for incidental or consequential damages in connection with the furnishing, performance, or use of this material.

Hewlett-Packard assumes no responsibility for the use or reliability of its software on equipment that is not furnished by Hewlett-Packard.

This document contains proprietary information which is protected by copyright. No part of this document may be photocopied, reproduced, or translated to another language without the prior written consent of Hewlett-Packard Company. The information contained in this document is subject to change without notice.

If your software application or hardware should fail, contact your local Hewlett-Packard Sales Office. A list of offices can be found in the back of the protocol analyzer operating manual.

© Copyright 1987 Hewlett-Packard Company

**Colorado Telecommunications Division  
5070 Centennial Boulevard  
Colorado Springs, CO, 80919, U.S.A.**

All rights reserved

# Table of Contents

---

Title	Page
<b>Chapter 1 - Introduction</b>	
Setup .....	1-1
Monitoring .....	1-2
Simulating.....	1-2
Performance Specifications.....	1-2
<b>Chapter 2 - Loading the Application</b>	
Equipment Required .....	2-1
Loading the Application Program .....	2-1
Copying the Application.....	2-2
Saving Application Data.....	2-3
Transferring Menus and Data .....	2-3
<b>Chapter 3 - Setup</b>	
Setup Menu Selections .....	3-2
<b>Chapter 4 - Monitoring</b>	
Triggering on Errors.....	4-1
DDCMP Display Format .....	4-2
Display Definitions.....	4-2

The Run-Time Display .....	4-4
The Examine Data Display .....	4-4
Differences and Similarities in	
Run-Time and Examine Data .....	4-5
Undefined Messages .....	4-5
Order of Messages .....	4-5
Count Field .....	4-5
Monitoring to Disc .....	4-6

## Chapter 5 - Simulating

Entering the CRC .....	5-1
Entering the Count Field .....	5-2

## Appendix A - Copying the DDCMP Application

Copying the DDCMP Files .....	A-1
-------------------------------	-----

## Appendix B - DDCMP Message Format

Data Message .....	B-2
Control Message .....	B-3
Maintenance Message .....	B-4

## Appendix C - Using the Training File

Loading the Training File .....	C-1
Setup .....	C-1
Monitoring .....	C-2
Examine Data .....	C-4
Highlights in Examine Data .....	C-5
Simulating.....	C-6
Running the Simulate Program .....	C-7
Changing the CRC Bytes .....	C-7

## Illustrations

---

Figure 2-1. DDCMP Top Level Menu .....	2-2
Figure 3-1. DDCMP Setup Menu .....	3-1
Figure 4-1. Examine Data Menu with DDCMP Display Format .....	4-4
Figure C-1. Training file Setup Menu .....	C-2
Figure C-2. Training Disc Run-Time Display .....	C-3
Figure C-3. Partial Examine Data Display .....	C-4
Figure C-4. End of Examine Data Display .....	C-5

# Conventions

---

Critical instructions within the text of this publication are preceded by one or more of the following labels

**Warning** All operating procedures, practices etc., that must be performed in the specified manner to preclude the possibility of personal injury or loss of life are preceded by a "Warning" label.

**Caution** All operating procedures, practices, etc., that must be performed in the specified manner to preclude the possibility of damaging the instrument or destroying programs, or software are preceded by a "Caution" label.

**Note** Explanatory comments or supplementary instructions are preceded by a "Note" label.

## Printing History

---

New editions are complete revisions of the manual. Update packages, which are issued between editions, contain additional and replacement pages to be merged into the manual by the customer. The dates on the title page change only when a new edition or a new update is published. No information is incorporated into a reprinting unless it appears as a prior update; the edition does not change when an update is incorporated.

Many product updates and fixes do not require manual changes and, conversely, manual corrections may be done without accompanying product changes. Therefore, do not expect a one-to-one correlation between product updates and manual updates.

Edition 1

July 1987

# Introduction

---

The Digital Data Communications Message Protocol (DDCMP) Analysis Application gives the HP 4952A the capability to monitor and simulate DDCMP protocol. It can be used on synchronous, asynchronous, full-duplex, half-duplex, multi-point, or point-to-point lines.

The Digital Communications Message Protocol Analysis package contains three files for your use.

DDCMP4952 is the actual application program.

DDCMP\_DATA is a training file which contains representative menus and data for the DDCMP Analysis Application.

TUTORIAL is an on-line self-help file that provides an explanation and overview of the DDCMP Analysis Application. To access this application, load the program into the HP 4952A and press the Examine Data softkey.

## Setup

The DDCMP Analysis Application provides a new protocol selection and display format selection in the Setup menu. The <DDCMP> softkey appears as a protocol selection when you select <Setup> in the top level menu.



To use the DDCMP display format, move the cursor to the display mode field and press <DDCMP>. As with any protocol, you must make the correct selections in the setup menu before monitoring or simulating.

## Monitoring

After selecting the correct setup parameters, you can monitor DDCMP lines from the run menu in the same way as other protocols.

The HP 4952A compares the CRCs on incoming messages with its own calculation, and indicates whether the CRC is good or bad.

Besides the normal display formats, the DDCMP display format decodes the different parts of the DDCMP message.

Auto Configure can be used when DDCMP has been selected as the protocol.

## Simulating

After entering the correct setup parameters, DDCMP messages can be transmitted with the Simulate menu. One "send" string is used for each message.

If you set the CRC bytes to 0, the HP 4952A automatically computes and sends the correct CRC values. If you select some non-zero value for the CRC, the HP 4952A sends those non-zero values.

If you set the data count bits to 0, the HP 4952A inserts the proper count length for data and maintenance messages. If you select some non-zero value for the Data jCount, the HP 4952A sends that value for the count, much like the CRC.

## Performance Specifications

The following performance specifications apply for the DDCMP Analysis application:

1. Monitor is limited to 56kbps full duplex.
2. Monitor and Simulate exceed 64kbps half duplex.

3. Simulate is limited to 56kbps full duplex when sending on the DTE channel.
4. Simulate is limited to 38.4kbps full duplex when sending on the DCE channel. With the timing turned off by the data filter DCE Simulate will go to 56kbps.
5. In cases where full duplex 56k DCE Simulate with the timing on is required, switch the DTE and DCE channels on the pod and transmit on the DTE channel



## Loading the Application

---

This chapter tells you how to load the DDCMP Analysis application and data into your HP 4952A Protocol Analyzer. This manual assumes that you are already familiar with the basic use of the protocol analyzer.

Refer to the HP 4952A Protocol Analyzer Operating Manual for detailed information concerning operation, voltage and grounding requirements, and power cords.

### Equipment Required

The DDCMP Analysis application supports RS-449, RS-232C/V.24 and V.35 interfaces.

### Loading the Program

1. Insert the application disc, and press the <Mass Store> softkey in the Top Level Menu.
2. Move the cursor to the file name - DDCMP4952.
3. Press the <Load> and then the <Execute> softkeys. The disc is read and the application program is loaded into the protocol analyzer memory.

4. The following message appears, along with the top level softkeys.

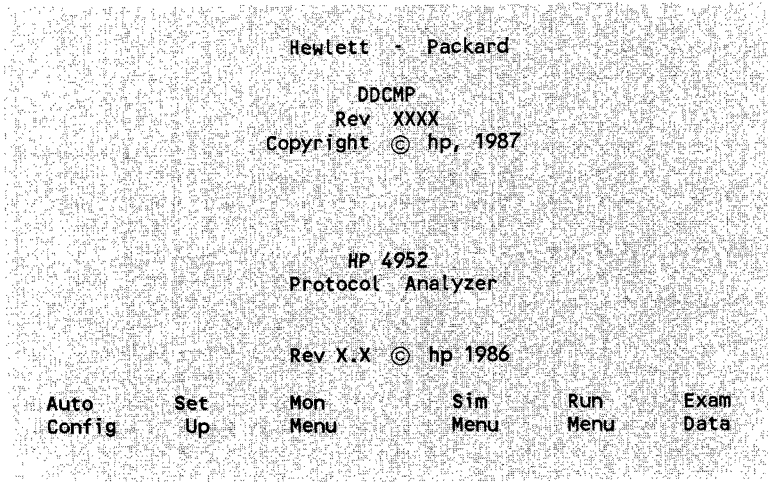


Figure 2-1. DDCMP Top Level Menu

## Copying the Application

When you get your DDCMP Application disc, you should make a backup copy. See Appendix A for copying instructions.

## **Saving Application Data**

You need to reload the application program whenever you turn off the HP 4952A's power. If you have an HP 4952A opt. 002, the application program can be stored into the external memory, which is non-volatile.

Buffer data resides in the 32K byte nonvolatile memory, so captured DDCMP buffer data will remain after power down.

## **Transferring Menus and Data**

You can transfer DDCMP menus and data between the HP 4952A, the HP 4951A, the HP 4951B, the HP 4951C, and the HP 4955A via remote. The only difference is that you should set the protocol to Char Async/Sync in the setup menus of both analyzers and all message statements must be removed. Except for this difference, use the respective operating manuals for the correct procedure.



## Setup

After loading the DDCMP application, press <Setup> in the top level menu. A display similar to the one shown below will appear. Some fields may have a different choice entered. What is in each field depends on how the HP 4952A was configured the last time the DDCMP Analysis application was run.

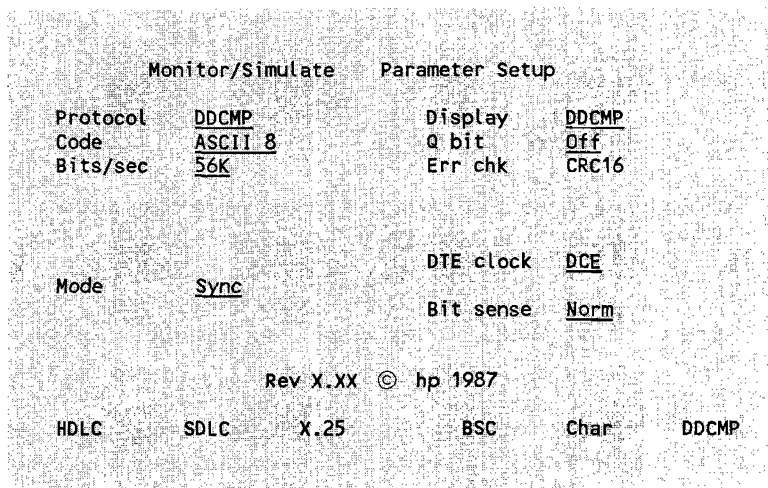


Figure 3-1. DDCMP Setup Menu



## Setup Menu Selections

- PROTOCOL** This field is always DDCMP after loading the application. With the application loaded, you can still choose one of the other five protocols, or X.21 with one of the other five protocols, but not X.21 with DDCMP. The print setup menu softkey is on the second set of softkeys and can be reached by pressing the 'MORE' softkey.
- CODE** The DDCMP setup menu provides three data codes: ASCII 8, Hex 8, and EBCDIC. JIS8 and EBCDIK are also included for the Katakana option.
- BITS/SEC** For asynchronous "Mode", you must select the correct clock rate to capture data. For synchronous "Mode", this selection affects only timing measurements. For this application, all the normal clock rates are allowed.
- MODE** This field for the DDCMP setup menu can be synchronous, or asynchronous with 1, 1.5, or 2 stop bits.
- DISPLAY** Besides the four basic display formats, Two Line, DTE Only, DCE Only, Data & State, the DDCMP application provides a DDCMP format which explicitly decodes message fields.
- Q-BIT** This selection in the DDCMP setup menu can be either on or off. The Q-Bit controls whether or not the Quick Sync Flag (Q-Bit) is "obeyed" in the way the HP 4952A brings in line data. When the Q-Bit is turned off, the Quick Sync Flag is ignored and other line information is used to properly frame data (this is the default value). The Q-Bit is used for synchronous setups only.
- DTE CLOCK** For synchronous "Mode", you must select the correct clock source for the DTE channel. For asynchronous "Mode" this selection is not available.
- BIT SENSE** The DDCMP setup menu provides two choices for the Bit Sense selection - normal or inverted.

# 4

## Monitoring

---

Monitoring a DDCMP datacomm link is essentially the same as monitoring any other protocol except you cannot trigger on parity errors.

### Triggering on Errors

You can trigger on bad CRCs by using the <When Trig> softkey followed by either <BCC DTE> or <BCC DCE>. For triggering purposes, the HP 4952A does not distinguish between header and data CRCs.

You may not, however, trigger on parity errors. Although the <Parity on DTE> and <Parity on DCE> softkeys appear after you press <When Trig> and then <Error>, do not use them. DDCMP has no parity, so a parity error trigger can never be satisfied. The program will not progress past these trigger statements.

---

## WARNING

---

Do not use parity error triggers in DDCMP.

---

### DDCMP Display Format

Besides the regular display formats in the setup menu, DDCMP provides another format called "DDCMP". When you are in the Run menu, or observing the buffer from the Examine Data menu, DDCMP messages are displayed.

Each DDCMP message is displayed on two lines. The first line contains the decoded header and both CRC checks. The second line contains the first 32 data characters. To see all data characters in a DDCMP message, use a two line display format. The second line is always blank in Control Messages.

If you wish to see data only, use Two Line, DTE Only, or DCE Only. If you wish to see interface lead changes and data, use Data & State.

### Display Definitions

The following describes the display header terms used in DDCMP display format. See Appendix B for more information.

TYPE	Type of Message. The three types, Data, Maintenance, and Control are abbreviated on the display as: DATA, MAIN, CNTL. Control messages are decoded into type and subtype, (e.g., CNTL: ACK).
COUNT	Number of characters in the data field. "Count" is a decimal number in DATA and MAIN messages. "Count" may be a message subtype in CNTL messages. The "Count" is shown in decimal.
QS	Quick sync and Select flags. These flags may be either 1 or 0.

RES	Response field used only in DATA and CNTL:ACK messages. "Res" is a decimal number.
SEQ	Sequence field used only in DATA and CNTL:REP messages. "Seq" is a decimal number.
ADR	Station address. "Adr" is a decimal number.
HC	Header CRC, displayed as either G (good) or flashing B (bad).
DC	Data CRC, displayed as either G (good) or flashing B (bad).

The following display definitions describe the DDCMP messages decoded and displayed by the DDCMP application.

DATA	Data Message.
CNTL: ACK	Control message, positive acknowledgement.
CNTL: NAK1	Control message, neg ack / CRC1 error.
CNTL: NAK2	Control message, neg ack / CRC2 error.
CNTL: NAK3	Control message, neg ack / reply response.
CNTL: NAK8	Control message, neg ack / buffer unavailable.
CNTL: NAK9	Control message, neg ack / receiver overrun.
CNTL: NAK16	Control message, neg ack / message too long.
CNTL: NAK17	Control message, neg ack / header format error.
CNTL: REPLY	Control message, reply.
CNTL: STACK	Control message, start acknowledgement.
CNTL: START	Control message, start.
CNTL: UNDEF	Control message, undefined subtype.

MAIN Maintenance message.

UNDEF Undefined message.

## The Run-Time Display

"Run-Time" displays occur when monitoring or simulating. When monitoring or simulating, the display shows the count field in hexadecimal.

## The Examine Data Display

The Examine Data menu displays the data captured in the buffer. The Examine Data display looks the same as the Run-Time display. The same five display formats available during Run-Time are also available in the Examine Data menu).

In the Examine Data display, the count field is shown in decimal. The Examine Data display shows all the captured data, except idles.

TYPE	COUNT	Q S	RES	SEQ	ADR	H C	D C
DATA	00005	1 1	005	005	084	G	G
HELLO							
CNTL : REPLY		0 0		000	000	G	
MAIN	00148	1 1			001	G	G
T H I S I S A V E R Y L O N G M E S S A G E .							TH
CNTL : START		0 1			011	B	
CNTL : STACK		0 0			101	G	

Hex      Roll      Roll      Next      Prev      Timer  
          Up      Down      Page      Page      & Cntr

Figure 4-1. Examine Data Menu with DDCMP Display Format

# Differences and Similarities between Run-Time and Examine Data

There are two main differences between the Run-Time and Examine Data displays.

## Undefined Messages

UNDEF messages are captured during Run-Time, and are decoded in the Examine Data display. UNDEF messages are caused by loss of sync or the corruption of a normal message. For example, the analyzer cannot identify data following a loss of sync; so it calls this unknown data UNDEF.

"False" messages are also identified as UNDEF. False messages occur when a spurious start of message character (SOH, ENQ, DLE) occurs after loss of sync. A bad header CRC in DATA or MAIN messages can cause false messages: the analyzer starts searching for the next start of message character.

Incomplete transmitted messages may not be displayed. To be displayed, a complete header must be sent.

## Order of Messages

During Run-Time, messages are displayed in the order in which the final CRC character is received. The message that ends first is displayed first.

In Examine Data, messages are displayed in the order in which the start-of-message character is received. The message that starts first is displayed first.

For example, assume a DTE message starts before a DCE message, but ends afterwards. The DTE message is displayed first in Examine Data, but last in Run-Time.

## Count Field

During Run-Time and Examine Data, the count fields of DATA and MAIN messages are displayed in decimal.

## Monitoring to Disc

As in normal HP 4952A operation data can be stored directly to disc during monitoring. After storing to a disc, the data can be loaded back into the buffer. However, when data is loaded back into the buffer, the Setup menu may be reset to Char Async/Sync protocol if DDCMP is not set at the time the data is loaded.. After changing the setup menu back to DDCMP protocol, the disc data can be examined as usual in the Examine Data menu.

To monitor directly to disc:

1. Insert the storage disc into the disc drive.
2. In the Monitor menu, press <Start>, and then <Disc> .
3. Press EXIT and go to the Run menu.
4. In the Run menu, press the <Monitor Line> softkey.d
5. The HP 4952A asks for the filename in which to store the data. Type in a filename from the keyboard.
6. Press the <Execute> softkey. Data is now stored directly to disc as it is brought into the analyzer.

# Simulating

---

As in other protocols, you can send DDCMP messages via the simulate menu. To determine how to format "send" and "when" strings, see Appendix B.

---

## NOTE

Header and CRC bytes should be entered in hex. Data bytes can be entered in hex or text.

---

## Entering the CRC

To send any CRC value, type in non-zero bytes. When non-zero CRC bytes are entered, the HP 4952A sends the CRC as you have entered it. To have the HP 4952A compute and send the correct CRC values in a DDCMP "send" string message, do the following:

1. Set the four CRC bytes of each message to zero (two for control and undefined types).

After the initial transmission, the "send" strings in the simulate menu will continue to show the value entered whether it is zero or non-zero. For example, if you were to send a DATA message, you might enter the following "send" string.

```
Send  8 0 8 0 0 0 0 0 HELLO0 0
      1 5 0 1 2 1 0 0 0 0
```

As long as the CRC bytes are non-zero, the HP 4952A does not re-calculate the CRC values.

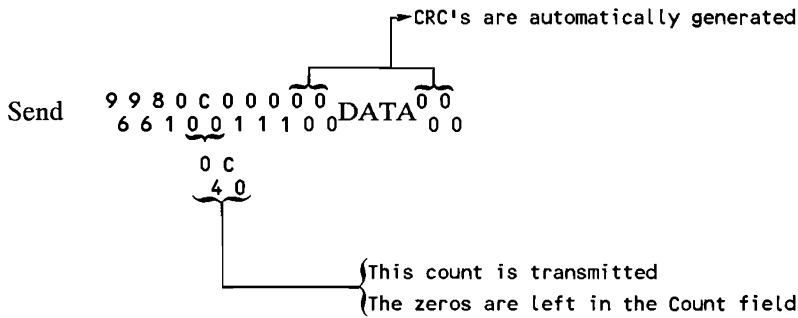


## Entering the Count Field

To send a value for the count, enter any value as long as it is not zero. To have the count calculated automatically, do the following:

1. Only use one "Send" for each message.
2. Use only one message for each "Send".
3. The type of message must be DATA (<sup>8</sup><sub>1</sub>) or MAINT (<sup>9</sup><sub>0</sub>).
4. The 14 count bits must be zero.
5. There must be at least 2 bytes after the header.

For example:



# A

## Appendix A Copying the DDCMP Application

---

Your application disc contains three programs or files: DDCMP4952, TUTORIAL, and DDCMP\_DATA. DDCMP is the DDCMP application program. DDCMP\_DATA is a training file which contains representative menus and data. The TUTORIAL file is a self-help file that explains the DDCMP application.

It is recommended that you copy all of the programs so your master disc is not used as a training disc or as a normal working disc which might allow an application to be inadvertently deleted or copied over.

### Copying the DDCMP Files

To copy any DDCMP file which is on the master disc do the following:

1. Insert the master disc into the HP 4952A.
2. From the top level menu, press the <Mass Store> softkey.
3. Type in the name of the application you want to load or move the cursor to the appropriate name and press <Load>, and then <execute>.
4. Remove the master disc and insert a formatted working disc into the disc drive.

5. Press <Store>. Type in the name of the application you have just loaded or assign a new name to this file. Move the cursor to the comment line and enter a comment which is descriptive of the application you are copying.
6. Press <Execute>. When the disc activity stops, press <Exit> to return to the top level menu.

Repeat these steps for any other applications you want to copy.

# B

## Appendix B DDCMP Message Format

---

DDCMP (Digital Data Communications Message Protocol) is a general purpose protocol: it can be used on synchronous, asynchronous, full-duplex, half-duplex, multi-point, or point-to-point lines.

DDCMP is byte-count oriented: each field is a multiple of eight bits. Messages consist of two parts: header and data. The header contains a COUNT field indicating the number of bytes in the data portion of the message. By indicating the byte-count of the data field, DDCMP avoids the transparency problems associated with character oriented protocols.

DDCMP consists of three message types: data, control, and maintenance. The message type is defined in the field following the sync field.

---

### NOTE

The quick sync flag (Q-Bit) is normally ignored in most applications. If the quick sync flag is needed to control the message framing, the Q-Bit selection must be set to "ON" in the Setup menu.

---

## Data Message

SYNC | SOH | COUNT | FLAGS | RES | SEQ | ADR | HC | DATA | DC

SYNC	Sync field. There may be 0-15 sync characters. The default character is 96(hex). The Sync field is not visible if the Async protocol is being used.
SOH (1 byte)	Start of Header. Message type field.
COUNT (14 bits)	Specifies the number of bytes in the data field.
FLAGS (2 bits)	S and Q flags. The first flag, Select (S), indicates ownership on multi-point and half duplex lines. The Quick Sync (Q) flag notifies the receiver that this message will be followed by sync characters.
RES (1 byte)	Response Number. The number of the last message correctly received from the addressed station. Acknowledges correctly received messages.
SEQ (1 byte)	Transmit Number. Denotes the number of this data message.
ADR (1 byte)	Station Address. Denotes the address of tributary stations on multi-point lines. It is always set to 1 on point-to-point lines.
HC (2 bytes)	CRC-16 checksum computed on the header only.
DATA (count bytes)	Data Field. Must contain the number of bytes specified in the "count" field.
DC (2 bytes)	CRC-16 checksum computed on the data field only.

## Control Message

SYNC | ENQ | TYPE | SUBTYPE | RCVR | SNDR | ADR | CRC

SYNC	Same as data message.
ENQ (1 byte)	Control Message Identifier. Always has a value of 05 (hex) to identify a control message.
TYPE (1 byte)	Control Message Type.
ACK	Acknowledges the correct receipt of numbered data messages.
NAK	Notifies the transmitter of an error. Also acknowledges previously received message.
REPLY	Reply to Message Number. Requests received message status from the receiver. The response is ACK or NACK.
START	Start Message. Establishes initial contact and synchronization. Resets message numbering at the transmitter and addressed receiver.
STACK	Start Acknowledge Message. Response to a STRT when the receiver has completed initialization.
SUBTYPE (6 bits)	Type modifier field.
FLAGS (2 bits)	Same as data message.
RCVR (1 byte)	Receiver Field. Used to pass information from the data message receiver to the data message sender.
SNDR (1 byte)	Sender Field. Used to pass information from the data message sender to the data message receiver.
ADR (1 byte)	Same as data message.
CRC	CRC-16 checksum on the control message.

# Maintenance Message

SYNC | DLE | COUNT | FLAGS | FILL | FILL | ADR | HC | DATA | DC

DLE (1 byte)	Maintenance Message Identifier. Always has a value of 90 (hex) to identify maintenance messages.
COUNT (14 bits)	Same as data message.
FLAGS (2 bits)	Same as data message.
FILL (1 byte)	Fill byte with a value of 0.
FILL (1 byte)	Fill byte with a value of 0.
ADR (1 byte)	Same as data message.
HC (2 bytes)	CRC-16 checksum on fields DLE through ADR.
DATA (count bytes)	Message data field.
DC (2 bytes)	CRC-16 checksum on the data field.

# C

## Appendix C Using the Training File

---

The DDCMP Analysis application disc contains a training file, DDCMP\_DATA, which provides actual data and menus for you to look at. DDCMP\_DATA contains the following three types of information:

1. Setup Menu.
2. Monitor Menu.
3. Simulate Menu.
4. Buffer data.

### Loading the Training File

1. In the Top Level Menu, press the <Mass Store> softkey.
2. In the Mass Store Menu, move cursor to the filename "DDCMP\_DATA" from the keyboard with the cursor movement arrows, then press <Load>.
3. Or enter the filename "DDCMP\_DATA" from the keyboard, then press <Execute>.

### Setup

Press the <Setup> softkey in the top level menu. The setup menu should look like the following figure. Note that we are using Asynchronous Mode with two stop bits. Thus, the "DTE Clock Source" and "Q-Bit" selections are no longer present.



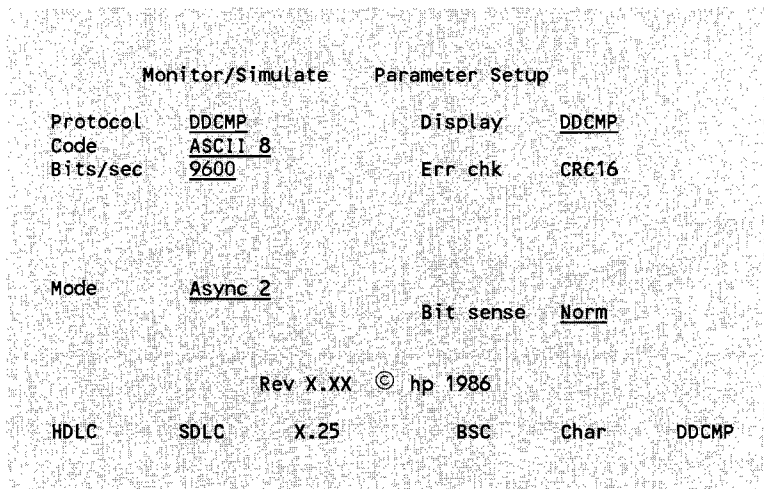


Figure C-1. Training File Setup Menu

## Monitoring

Press the <Monitor> softkey in the top level menu. Move the cursor down to see the entire Monitor program. This program highlights any bad CRCs on the DTE channel.

```

Block 1
When Error BCC on DTE
          then goto Block 2

```

The "When" statement tells the analyzer to trigger on bad CRCs coming from the DTE.

```

Block 2
Highlight
          and then
Goto Block 1

```

The "Highlight" statement references the preceding trigger statement. The analyzer will never get past the "When" unless it finds a bad CRC. Then it will highlight the bad CRC and continue looking.

To run the above monitor program on the training file buffer data:

1. In the top level menu, press the <Run Menu> softkey.
2. Press <Monitor Buffer>. The HP 4952A monitors its buffer contents just as if it were monitoring an actual line. When the analyzer reaches the end of the buffer data, the "Running" message and Run-Time softkeys are replaced by the top level softkeys.
3. The blank line (denoted by the dotted line in the following figure) in the center of the display indicates the last DDCMP message monitored. Messages above the line were received after messages below the line. Note that the "B" in the DATA message on line 7 is blinking in the display.

TYPE	COUNT	Q S	RES	SEQ	ADR	H C	D C
DATA	00026	0 0	005	006	001	G	G
T H - T H - T H - T H A T ' S A L L F O L K S !							
. . . . .							
L A S T M E S S A G E W A S U N D E F I N E D .							
MAIN	00026	1 1			001	G	G
N E X T M E S S A G E I S U N D E F I N E D .							
UNDEF	00000	1 1	150	150	150	B	
C N T L : N A K 1 7							
		1 0	002		001	G	
UNDEF	00000	1 1	150	150	150	B	
Rev X.X © hp 1986							
Auto Config	Set Up	Mon Menu		Sim Menu	Run Menu	Exam Data	

Figure C-2. Training Disc Run-Time Display

## Examine Data

Press <Exam Data> in the top level menu to look at buffer data. In the Examine Data display the cursor keys are disabled. Use the <Roll Up>, <Roll Down>, <Next Page>, and <Prev Page> keys to scroll through the buffer. To compare the Run-Time display with the Examine Data display, press <Next Page> until you see the flashing "End of Valid Data". Then press <Prev Page> once.

The display will look like the following two figures. On the Run-Time display, this data message starts the display (which wraps around above the inverse video line). Thus, you can compare the Run-Time display with the Examine Data displays.

TYPE	COUNT	Q	S	RES	SEQ	ADR	H	C	D	C
DATA	00005	1	1	005	005	084	G			G
<u>HELLO</u>										
CNTL : REPLY		0	0		000	000	G			
MAIN	00148	1	1			001	G			G
<u>T H I S I S A V E R Y L O N G M E S S A G E . T H</u>										
CNTL : START		0	1			011	B			
CNTL : STACK		0	0			101	G			

Hex	Roll Up	Roll Down	Next Page	Prev Page	Timer & Cntr
-----	------------	--------------	--------------	--------------	-----------------

Figure C-3. Partial Examine Data Display

TYPE	COUNT	Q	S	RES	SEQ	ADR	H	C	D	C
MAIN	00026	1	1	002	004	001		G		G
NEXT MESSAGE IS UNDEFINED.										
UNDEF	00000	1	1	150	150	150		B		
CNTL: NAK17										
UNDEF	00000	1	1	150	150	150		B		
DATA	00026	0	0	005	006	001		G		G
T H - T H - T H - T H A T ' S A L L F O L K S !										

Hex	Roll Up	Roll Down	Next Page	Prev Page	Timer & Cntr
-----	------------	--------------	--------------	--------------	-----------------

**Figure C-4. End of Examine Data Display**

### Highlights in Examine Data

Notice that all the bad CRCs, "B", have been highlighted by the Monitor program in the Monitor menu. Press <Prev Page> until you see the flashing "Start of Valid Data" at the top of the display. Now press MORE to access the <Next Hilit> softkey. Press <Next Hilit> to cause the next highlighted line to be displayed at the top of the display.

# Simulating

Press <Simulate> in the top level menu. The simulate program sends four DDCMP messages: DATA, CNTL:ACK, MAIN, and CNTL:UNDEF.

Simulate DTE

```
Block 1
Send 99 8 0 c 0 0 5 0 0 HELLO 0 0 Send the DATA message.
    6 6 1 5 0 5 5 4 0 0
    and then
Wait 100
    and then
Send 99 0 0 0 0 0 0 0 0 Send the CNTL:ACK message.
    6 6 5 1 0 1 2 3 0 0
    and then
Wait 100
    and then
Send 99 9 1 c 0 0 0 0 0 TH-TH-TH-T Send the Main message
    6 6 0 A 0 4 5 6 0 0

HAT'S ALL FOLKS ! 0 0
    and then
Wait 100
    and then
Send 99 0 F F F F F F F Send the CNTL:UNDEF message.
    6 6 5 F F F F F F F
```

The first "send" string can be broken down into five parts:

```
99 8 0 c 0 0 5 0 0 HELLO 0 0
6 6 1 5 0 5 5 4 0 0
1      2      3      4      5
```

- (1) Sync Field
- (2) DDCMP Header
- (3) Header CRC
- (4) Data
- (5) Data CRC

Notice that all of the CRC bytes are set to 0. As explained earlier, when you use "0" for the CRC values, the HP 4952A automatically calculates the correct CRC values and puts them into the "send" string.

### **Running the Simulate Program**

1. Press <Run Menu> in the top level menu.
2. Press <Simulate> in the Run menu.
3. Notice that the first three message have good CRCs, while the CNTL:UNDEF message has a bad CRC.
4. Press EXIT, and re-enter the Simulate menu.
5. Notice that the HP 4952A does not fill the CRC bytes with the correct computation during the run, it leaves them as zeros.

### **Changing the CRC Bytes**

1. In the Simulate menu, move the cursor to the last byte of the first send string. Change the value to 1E (hex).
2. Re-run the Simulate program as before.
3. In the Run-Time display, notice that a bad (B) CRC has appeared on the first message. This is because the HP 4952A sends non-zero CRC bytes as they appear in the send string. If you want the analyzer to compute the CRC, the CRC byte must be set to zero in the Simulate program.



**Please send directory corrections to:**

Test & Measurement Catalog  
Hewlett-Packard Company  
3200 Hillview Avenue  
Paio Alto, CA 94304  
Tel: (415) 857-4706  
Fax: (415) 857-3880

**HEADQUARTERS OFFICES**

If there is no sales office listed for your area, contact one of these headquarters offices.

**ASIA**

Hewlett-Packard Asia Ltd.  
22/F Bond Centre, West Tower  
89 Queensway, Central  
**HONG KONG**  
G.P.O. Box 863, Hong Kong  
Tel: 5-8487777  
Telex: 76793 HPA HX  
Cable: HPASIAL TD

**CANADA**

Hewlett-Packard (Canada) Ltd.  
6877 Goreway Drive  
MISSISSAUGA, Ontario L4V 1M8  
Tel: (416) 678-9430  
Fax: (416) 678-9421

**EASTERN EUROPE**

Hewlett-Packard Ges.m.b.h.  
Lieblgasse 1  
P.O. Box 72  
A-1222 VIENNA, Austria  
Tel: (222) 2500  
Telex: 1 3 4425 HEPA A

**NORTHERN EUROPE**

Hewlett-Packard S.A.  
V. D. Hooplaan 241  
P.O. Box 999  
NL-118 LN 15 AMSTELVEEN  
The Netherlands  
Tel: 20 5479999  
Telex: 18919 hpner

**SOUTH EAST EUROPE**

Hewlett-Packard S.A.  
World Trade Center  
110 Avenue Louis-Casali  
1215 Cointrin, GENEVA, Switzerland  
Tel: (022) 98 96 51  
Telex: 27225 hpser  
Mail Address:  
P.O. Box  
CH-1217 Meyrin 1  
**GENEVA**  
Switzerland

**MIDDLE EAST AND CENTRAL AFRICA**

Hewlett-Packard S.A.  
International Sales Branch  
Middle East/Africa  
7, rue du Bois-du-Lan  
P.O. Box 364  
CH-1217 Meyrin 1  
**GENEVA**  
Switzerland  
Tel: (41/22) 780 7111  
Fax: 783 7535

European Operations  
Hewlett-Packard S.A.  
150, Route du Nant d'Avril  
1217 Meyrin 2  
**GENEVA**, Switzerland  
Tel: (41/22) 780.8111  
Fax: (41/22) 780.8542

**UNITED KINGDOM**

Hewlett-Packard Ltd.  
Nine Mile Ride  
**WOKINGHAM**  
Berkshire, RG113LL  
Tel: 0344 773100  
Fax: (44/344) 763526

**UNITED STATES OF AMERICA**

Customer Information Center  
(800) 752-0900  
6:00 AM to 5:00 PM Pacific Time

**EASTERN USA**

Hewlett-Packard Co.  
4 Choke Cherry Road  
**ROCKVILLE, MD 20850**  
Tel: (301) 670-4300

**MIDWESTERN USA**

Hewlett-Packard Co.  
5201 Tollivue Drive  
**ROLLING MEADOWS, IL 60008**  
Tel: (312) 255-9800

**SOUTHERN USA**

Hewlett-Packard Co.  
2015 South Park Place  
**ATLANTA, GA 30339**  
Tel: (404) 955-1500

**WESTERN USA**

Hewlett-Packard Co.  
5161 Lankershim Blvd.  
**NORTH HOLLYWOOD, CA 91601**  
Tel: (818) 505-5600

**OTHER INTERNATIONAL AREAS**

Hewlett-Packard Co.  
Intercontinental Headquarters  
3495 Deer Creek Road  
**PALO ALTO, CA 94304**  
Tel: (415) 857-5027  
Telex: 034-8300  
Cable: HEWPACK  
  
Hewlett-Packard Trading S.A.  
Bureau de Liaison/Bureau de Spport  
Villa des Lions  
9, Hai Galloul  
**DZ-BOROJ EL BAHRI**  
Tel: 76 02 07  
Fax: 281 0387

**ANGOLA**

Telectra Angola LDA  
Empresa Técnica de Equipamentos  
16 rue Cons. Julio de Vilhema  
**LUANDA**  
Tel: 355 15,355 16  
Telex: 3134

**ARGENTINA**

Hewlett-Packard Argentina S.A.  
Montaneses 2140/50  
1428 **BUENOS AIRES**  
Tel: (54/1) 781 4059  
(54/1) 781-4090

Laboratorio Rodriguez  
Corswant S.R.L.  
Misiones, 1156 - 1876  
Bernal, Oeste  
**BUENOS AIRES**  
Tel: 252-3958, 252-4991

Argentina Esanco S.R.L.  
A/ASCO 2328  
1416 **BUENOS AIRES**  
Tel: 541-58-1961, 541-59-2767  
Telex: 22796 HEW PAC-AR

**AUSTRALIA**

Customer Information Centre  
Tel: (008) 033821

**Adelaide, South Australia Office**

Hewlett-Packard Australia Ltd.  
**PARKSIDE, S.A. 5063**  
153 Greenhill Road  
**ADELAIDE (Parkside) Sales**  
Tel: (61-8-) 272-5911  
Fax: (61/8) 373-1398

**Brisbane, Queensland Office**

Hewlett-Packard Australia Ltd.  
10 Payne Road  
**THE GAP, Queensland 4061**  
Tel: 61-7-300-4133  
Telex: 42133  
Cable: HEWPARD Brisbane

**Canberra, Australia Capital Territory Office**

Hewlett-Packard Australia Ltd.  
Thynne Street, Fern Hill Park  
**BRUCE, A.C.T. 2617**  
P.O. Box 257.  
**JAMISON, A.C.T. 2614**  
Tel: 61-62-51-6999  
Telex: 82650  
Cable: HEWPARD Canberra

**Melbourne, Victoria Office**

Hewlett-Packard Australia Ltd.  
31-41 Joseph Street  
P.O. Box 221  
**BLACKBURN, Victoria 3130**  
Tel: (61/3) 895-2895  
Fax: (61/3) 896-7831  
Cable: HEWPARD Melbourne

**Perth, Western Australia Office**

Hewlett-Packard Australia Ltd.  
Herdsmen Business Park  
Cnr. Hasler & Gould Sts.  
Osborne Park  
**CLAREMONT, W.A. 6017**  
Tel: (61/9) 242 1414  
Fax: (61/9) 242-1682  
Cable: HEWPARD Perth

**Sydney, New South Wales Office**

Hewlett-Packard Australia Ltd.  
17-23 Talavera Road  
P.O. Box 308  
**NORTH RYDE, N.S.W. 2113**  
Sydney, Australia  
Tel: (61/2) 888-4444  
Fax: (61/2) 889-9072  
Cable: HEWPARD Sydney

**AUSTRIA**

Hewlett-Packard GmbH  
Verkaufsbuero Graz  
Grottenhofstrasse 94  
A-8052 **GRAZ**  
Tel: 43-316-291-5660  
Telex: 312375

Hewlett-Packard GmbH  
Lieblgasse 1  
P.O. Box 72  
A-1222 **VIENNA**  
Tel: (43/222) 2500  
Fax: (48/222) 2500 Ext 444

**BAHRAIN**

Modern Electronic  
Establishment  
Hewlett-Packard Division  
P.O. Box 22015  
**RIYADH 11495**  
**SAUDI ARABIA**  
Tel: (966/1) 4763030  
Telex: 595 (0495) 202049

Wael Pharmacy  
P.O. Box 648

**MANAMA**  
Tel: 256123  
Telex: 8550 WAEI BN

**BELGIUM**

Hewlett-Packard Belgium S.A./N.V.  
Blvd de la Woluwe, 100  
Woluwedal  
1200 **BRUSSELS**  
Tel: (32/2) 761.31.11  
Fax: (32/2) 763.06.13

**BENIN**

S.I.T.E.L.  
Immeuble le General  
Av. General de Gaulle  
P.O. Box 161  
**ABIDJAN 01**  
Ivory Coast  
Tel: 32 12 27  
Telex: 22149

**BERMUDA**

Applied Computer Technologies  
Atlantic House Building  
P.O. Box HM 2091  
Par-La-Ville Road  
**HAMILTON 5**  
Tel: 295-1616  
Telex: 380 3589/ACT BA

**BOLIVIA**

Arrellano Ltda  
Av. 20 de Octubre #2125  
Casilla 1383  
**LA PAZ**  
Tel: 368541

Siser Ltda. (Sistemas de Importacion y Servicios Ltda.)  
Gabriel Gozalvez 221  
Casilla 4084  
**LA PAZ**  
Tel: (59 1/2) 340962/  
363365/343245  
Fax: 35-9268

**BRAZIL**

Hewlett-Packard do Brasil S.A.  
Praia de Botafogo 228-A-614  
6. AND.-CONJ. 601  
Edificio Argentina - Ala A  
22250 **RIO DE JANEIRO, RJ**  
Tel: (55/2/1) 552-6422  
Telex: 21905 HPBR BR  
Cable: HEWPACK Rio de Janeiro

**BRUNEI**

Komputer Wisman Sdn Bhd  
G6, Chandrawaseh Cmplx,  
Jalan Tutong  
P.O. Box 1297.  
**BANDAR SERI BEGAWAN**  
**NEGARA BRUNI DARUSSALAM**  
Tel: 673-2-2000-70/26711

**BURKINA FASSO**

S.I.T.E.L.  
Immeuble le General  
Avenue General de Gaulle  
P.O. Box 161  
**ABIDJAN 01**  
Ivory Coast  
Tel: 32 12 27  
Telex: 22149

**CAMEROON**

R.T.I.  
175 Rue Blomet  
75015 **PARIS**  
France  
Tel: (1) 45 31 0906  
Telex: 203376  
Fax: (1) 45 31 09 18

**CANADA**

**Alberta**  
Hewlett-Packard (Canada) Ltd.  
3030 3rd Avenue N.E.  
**CALGARY, Alberta T2A 677**  
Tel: (1/403) 235-3100  
Fax: (1/403) 272-2299

Hewlett-Packard (Canada) Ltd.  
11120-178th Street  
**EDMONTON, Alberta T5S 1P2**  
Tel: (1/403) 486-6666  
Fax: (1/403) 489-8764



**SALES OFFICES****Arranged alphabetically by country (cont'd)****CANADA (Cont'd)****British Columbia**

Hewlett-Packard (Canada) Ltd.  
10691 Shellbridge Way  
**RICHMOND**,  
British Columbia V6X 2W8  
Tel: (1/604) 270-2277  
Fax: (1/604) 270-0859

**Manitoba**

Hewlett-Packard (Canada) Ltd.  
1825 Inkster Blvd.  
**WINNIPEG**, Manitoba R2X 1R3  
Tel: (204) 694-2777

**New Brunswick**

Hewlett-Packard (Canada) Ltd.  
814 Main Street  
**MONCTON**, New Brunswick E1C 1E6  
Tel: (506) 855-2841

**Nova Scotia**

Hewlett-Packard (Canada) Ltd.  
201 Brownlow Avenue  
**DARTMOUTH**, Nova Scotia B3B 1W2  
Tel: (1/902) 469-7820  
Fax: (1/902) 468-2817

Hewlett-Packard  
(Canada) Ltd.  
475 Hood Rd., Unit #2  
**MARKHAM**, L3R 8H1  
Tel: (416) 479-1770

**Ontario**

Hewlett-Packard (Canada) Ltd.  
552 Newbold Street  
**LONDON**, Ontario N6E 2S5  
Tel: (1/519) 686-9181  
Fax: (1/519) 686-9145

Hewlett-Packard (Canada) Ltd.  
8877 Gateway Drive  
**MISSISSAUGA**, Ontario L4V 1M8  
Tel: (1/416) 678-9430  
Fax: (1/416) 673-7253

Hewlett-Packard (Canada) Ltd.  
2670 Queensview Dr.  
**OTTAWA**, Ontario K2B 8K1  
Tel: (1/613) 820-6483  
Fax: (1/613) 820-0377

Hewlett-Packard (Canada) Ltd.  
3790 Victoria Park Ave.  
**WILLOWDALE**, Ontario M2H 3H7  
Tel: (1/416) 499-2550

Hewlett-Packard (Canada) Ltd.  
17500 Trans Canada Highway  
South Service Road  
**KIRKLAND**, Quebec H9J 2X8  
Tel: (1/514) 697-4232  
Fax: (1/514) 697-6941

**Quebec**

Hewlett-Packard (Canada) Ltd.  
17500 Trans Canada Highway  
South Service Road  
**KIRKLAND**, Quebec H9J 2X8  
Tel: (1/514) 697-4232  
Fax: (1/514) 697-6941

**Saskatchewan**

Hewlett-Packard (Canada) Ltd.  
#1, 2175 Airport Rd.  
**SASKATOON**, Saskatchewan S7L 7E1  
Tel: (306) 242-3702

**CHILE**

Ricardo Borzulsky  
Avanzados Sistemas de  
Conocimientos S. A.  
Austria 2041  
**SANTIAGO**  
America del Sur  
Tel: (562) 223-5946/6148

**CHINA, People's  
Republic of**

China Hewlett-Packard Co., Ltd.  
22/F Bond Centre, West Tower  
89 Queensway, Central  
**HONG KONG**  
Tel: (852/5) 8487777  
Fax: (852/5) 868 4997

China Hewlett-Packard Co., Ltd.  
P.O. Box 9610, Beijing  
38 Bei San Huan X1 Road  
Shuang Yu Shu, Hai Dian District  
**BEIJING**  
Tel: 256-6888  
Fax: 256-3207

China Hewlett-Packard Co., Ltd.  
23/F Shanghai Union Building  
100 Yan An Road  
**SHANGHAI**  
Tel: 203-240  
Fax: 202-149

**COLOMBIA**

Instrumentación  
H. A. Langebaek & Kier S.A.  
Carrera 4A No. 52A-26  
Apartado Aereo 6287  
**BOGOTA** 1, D.E.  
Tel: 212-1466  
Telex: 44400 INST CO  
Cable: AARIS Bogota

**CONGO**

Sema-Metra  
16-18 Rue Barbes  
92126 Montrouge Cedex  
**FRANCE**  
Tel: (1) 657/300  
Telex: 200601 Semetra  
Fax: (1) 46 56 96 53

**COSTA RICA**

Centífica Costarricense S.A.  
Avenida 2, Calle 5  
San Pedro de Montes de Oca  
Apartado 10159  
**SAN JOSE**  
Tel: 9-011-506-243-820  
Telex: 3032367 GALGUR CR

Continex S.A.  
Avenida 10C  
Apartado 746-1000  
34-36 **SAN JOSE**  
Tel: (506) 33-0933  
Telex: 2310 Continex CR  
Fax: 21-6905

O. Fischel R. Y. Cia. S.A.  
Apartados 434-10174  
**SAN JOSE**  
Tel: 23-7244  
Telex: 2379  
Cable: OFIR

**CYPRUS**

Hellamco - M. Cotoyannis  
2, Sikelianou St. & Kilissias Av.  
P.O. Box 65074  
N. Psyhiko 15410  
**ATHENS**  
Greece  
Tel: 647 79 426, 647 79 427  
Telex: 224903

Telerexa Ltd.  
P.O. Box 1152  
Valentine House  
8 Stassandrou St.  
**NICOSIA**  
Tel: 45 628, 62 698  
Telex: 5845 tlrx cy

DEMSTAR Ltd.  
P.O. Box 2260  
**NICOSIA**  
Cyprus

Tel: 44 10 64  
Telex: 3085  
Fax: 46 46 35

**DENMARK**

Hewlett-Packard A/S  
Kongevejen 25  
3460 **BIRKEROD**  
Tel: (45/42) 816640  
Fax: (45/42) 815810

Hewlett-Packard A/S  
Rolighedsvej 32  
DK-8240 **RISSKOV**, Aarhus  
Tel: 45-06-17-6000  
Telex: 37409 hpas dk

**DOMINICAN REPUBLIC**

Microprog S.A.  
Juan Tomás Mejía y Cotes No. 60  
Arroyo Hondo  
**SANTO DOMINGO**  
Tel: 565-6268  
Telex: 45110 AARENTA DR (RCA)

**ECUADOR**

CYEDE Cia. Ltda.  
Avenida Eloy Alfaro 1749  
y Belgica  
Casilla 6423 CCI  
**QUITO**  
Tel: 9-011-593-2-450975  
Telex: 39322548 CYEDE ED

**EGYPT**

International Engineering Associates  
6 El Gamea Street  
Agozua  
**CAIRO**  
Tel: 71-21-681 348 0904  
Telex: 93830 IEA UN  
Cable: INTEGASSO

**EL SALVADOR**

IPESA de El Salvador S.A.  
29 Avenida Norte 1223  
**SAN SALVADOR**  
Tel: 9-011-503-266-858  
Telex: 301 20539 IPESA SAL

**ETHIOPIA**

R.T.I.  
175 rue Blomet  
75016 **PARIS**  
France  
Tel: (1) 45 31 09 06  
Telex: 203376  
Fax: (1) 45 31 09 18

**FINLAND**

Hewlett-Packard Finland  
Field Oy  
Niitylanpolku IO  
00620 **HELSINKI**  
Tel: (90) 757-1011  
Telex: 122022 Field SF

Hewlett-Packard Oy  
Piispankallontie 17  
02200 **ESPOO**  
Tel: (358/0) 88721  
Fax: (358/0) 887 2277

Hewlett-Packard Oy  
Väinökatu 9 C  
40100 **JYVÄSKYLÄ**  
Tel: (358/1) 21 85 11

Hewlett-Packard Oy  
Valtatie 57  
90500 **OULU**  
Tel: (358/81) 340 144

**FRANCE**

Hewlett-Packard France  
Z.I. Mercure B  
Rue Berthelot  
13763 Les Milles Cedex  
**AIX-EN-PROVENCE**  
Tel: 33-42-59-41-02  
Telex: 410770F

Hewlett-Packard France  
ZA Kergaradec  
Rue Fernand Fouret  
28239 **GOUESNOU** (Brest)  
Tel: (98) 41-87-90

Hewlett-Packard France  
Chemin des Mouilles  
Boite Postale 162  
69131 **ECULLY** Cedex (Lyon)  
Tel: (33) 72-29-32-93  
Telex: 310617F

Hewlett-Packard France  
Z.I. Mercure B  
Rue Berthelot  
F-13763 **LES MILLES** Cedex  
Aix-en-Provence  
Tel: (33/42) 59-41-02  
Telex: 410770  
Fax: 594872

Hewlett-Packard France  
Parc Club des Tanneries  
Batiment B4  
4, Rue de la Faisanderie  
67381 **LINGOLSHEIM** (Strasbourg)  
Tel: (88) 76-15-00  
Telex: 890141F

Hewlett-Packard France  
Parc d'activités Cadéra  
Quartier Jean-Mermoz  
Avenue du Président JF Kennedy  
33700 **MÉRIGNAC** (Bordeaux)  
Tel: (33) 56-34-00-84  
Telex: 550105F

Hewlett-Packard France  
Miniparc-ZIRST  
Chemin du Vieux Chêne  
38240 **MEYLAN** (Grenoble)  
Tel: (76) 90-38-40

Hewlett-Packard France  
Ru de l'Hôtelierrie  
Le Petit Bel Air  
44470 **CARQUEFOU** (Nantes)  
Tel: 40-30-38-38  
Telex: 711085F

Hewlett-Packard France  
Parc Tertiaire Héliopolis  
Route de Micy  
45380 **LA CHAPELLE ST MESMIN**  
(Orléans)  
Tel: 38-43-93-56  
Telex: 783 497F

Hewlett-Packard France  
Zone Industrielle de Courtaboeuf  
1, av. du Canada  
91947 **LES ULIS** Cedex (Orsay)  
Tel: 69-82-60-60  
Telex: 600484F

R.T.I. (Realisations  
Telematiques Internationales)  
175, rue Blomet  
F-75015 **PARIS**  
Tel: (33/1) 45310906  
Telex: 42/203376

Hewlett-Packard France  
Parc d'activités de la Poterie  
Rue Louis Keratel-Botmel  
35000 **RENNES**  
Tel: 99-51-42-44  
Telex: 740912F

Hewlett-Packard France  
45, rue des 3 Soeurs  
Centre d'Affaires Paris Nord II  
F-93420 Villepinte  
B.P. 60020  
F-95971 **ROISSY**  
**CHARLES DE GAULLE** Cédex  
Tel: (33/48) 91-68-00  
Telex: 232366  
Fax: 632183

Hewlett-Packard France  
P.A.T. Lavatine  
3, rue Jacques Monod  
BP 185  
76136 **MONT-ST-AIGNAN** (Rouen)  
Tel: 35-59-19-20  
Telex: 770035F

Hewlett-Packard France  
Innoparc  
BP 167 - Voie n°7  
31328 **LABEGE** Cedex (Toulouse)  
Tel: 61-39-11-40  
Telex: 531639F

Hewlett-Packard France  
Les Cardoulines  
Batiment B2  
Route des Dolines  
Parc d'activité de Valbonne  
Sophia Antipolis  
06560 **VALBONNE** (Nice)  
Tel: 93-65-39-40

Hewlett-Packard France  
Parc d'activité des Prés  
1, Rue Papin Cedex  
59658 **VILLENEUVE D'ASCQ**  
Tel: 20-91-41-25  
Telex: 160124F

## FRENCH WEST INDIES (Antilles)

R.T.I.  
175, Rue Blomet  
75015 PARIS  
FRANCE  
Tel: (1) 45 31 09 06  
Telex: 203376  
Fax: (1) 45 31 09 18

## GABON

R.T.I. Cameroon  
Distribution/Services  
B.P. 3899  
DOULA, CAMEROON  
(Please contact R.T.I. France.)  
Tel: (237) 423291  
Telex: 970/5385

R.T.I.  
175, rue Blomet  
75015 PARIS  
France  
Tel: (1) 45 31 09 06  
Telex: 203376  
Fax: (1) 45 31 09 18

## GERMAN FEDERAL REPUBLIC

Hewlett-Packard GmbH  
Vertriebszentrale Deutschland  
Hewlett-Packard-Strasse  
Postfach 1641  
D-6380 BAD HOMBURG v.d.H  
Tel: (06172) 400-0  
Telex: 410 844 hpbhg

Hewlett-Packard GmbH  
Geschäftsstelle  
Keithstrasse 2-4  
D-1000 BERLIN 30  
Tel: (030) 21 99 04-0  
Telex: 018 3405 hpbnd

Hewlett-Packard GmbH  
Verbindungsstelle Bonn  
Friedrich-Ebert-Allee 26  
5300 BONN  
Tel: (0228) 234001  
Telex: 8869421

Hewlett-Packard GmbH  
Vertriebszentrum Südwest  
Schickardstrasse 2  
D-7030 BOBLINGEN  
Postfach 1427  
Tel: (49/7031) 645  
Fax: (49/7031) 645-429

Hewlett-Packard GmbH  
Zentralbereich Mktg  
Herrenberger Strasse 130  
D-7030 BOBLINGEN  
Tel: (49/7031) 14-0  
Fax: (49/7031) 14-2999

Hewlett-Packard GmbH  
Geschäftsstelle  
Schleefstr. 28a  
D-4600 DORTMUND-41  
Tel: (0231) 45001  
Telex: 822858 hepdod

Hewlett-Packard GmbH  
Reparaturzentrum Frankfurt  
Bernstrasse 117  
60000 FRANKFURT/MAIN 60  
Tel: (069) 500001-0  
Telex: 413249 hpfm

Hewlett-Packard GmbH  
Vertriebszentrum Nord  
Kapsladtring 5  
D-2000 HAMBURG 60  
Tel: 49-40-63-804-0  
Telex: 021 63 032 hphhd  
Hewlett-Packard GmbH  
Geschäftsstelle  
Heidering 37-39  
D-3000 HANNOVER 61  
Tel: (49/511) 5706-0  
Fax: (49/511) 5706-126

Hewlett-Packard GmbH  
Geschäftsstelle  
Rosslauer Weg 2-4  
D-6800 MANNHEIM  
Tel: 49-0621-70-05-0  
Telex: 0462105 hpmhm

Hewlett-Packard GmbH  
Geschäftsstelle  
Messerschmittstrasse 7  
D-7910 NEU ULM  
Tel: 49-0731-70-73-0  
Telex: 0712816 HP ULM-D

Hewlett-Packard GmbH  
Geschäftsstelle  
Emmericher Strasse 13  
D-8500 NÜRNBERG 10  
Tel: (0911) 5205-0  
Telex: 0623 860 hpnbg

Hewlett-Packard GmbH  
Vertriebszentrum Ratingen  
Berliner Strasse 111  
D-4030 RATINGEN  
Postfach 31 12  
Tel: (02102) 494-0  
Telex: 589 070 hprad

Hewlett-Packard GmbH  
Vertriebszentrum Muchen  
Eschenstrasse 5  
D-8028 TAUFKIRCHEN  
Tel: 49-89-61-2070  
Telex: 0524985 hpmch

Hewlett-Packard GmbH  
Geschäftsstelle  
Ermitsallee  
7517 WALDBRONN 2  
Postfach 1251  
Tel: (07243) 602-0  
Telex: 782 838 hepkl

## GREAT BRITAIN See United Kingdom

## GREECE

Hewlett-Packard Hellas  
32, Kifissias Avenue  
15125 Amaroussion  
ATHENS  
Greece  
Tel: 6828811  
Telex: 216588 hpat gr  
Fax: 6832978

## GUATEMALA

IPESA DE GUATEMALA  
Avenida Reforma 3-48, Zona 9  
GUATEMALA CITY  
Tel: 316627, 317853, 66471/5  
9-011-502-2-316627  
Telex: 3055765 IPESA GU

## GUINEA

R.T.I.  
175, Rue Blomet  
75015 PARIS  
France  
Tel: (1) 45 31 09 06  
Telex: 203376  
Fax: (1) 45 31 09 18

## HONG KONG

Hewlett-Packard Asia, Ltd.  
22/F, West Tower Bond Centre  
89 Queensway Central  
HONG KONG  
Tel: (852/5) 848-7777  
Fax: (85215) 868-4987  
Cable: HEWPACK HONG KONG

## ICELAND

Hewlett-Packard Iceland  
Hoeldabakka 9  
112 REYKJAVIK  
Tel: 354-1-67-1000  
Telex: 37409  
Fax: 354-1-673031

## INDIA

Computer products are sold through  
Blue Star Ltd. All computer repairs  
and maintenance service is done  
through Computer Maintenance Corp.

Blue Star Ltd.  
B. D. Patel House  
Near Sardar Patel Colony  
AHMEDABAD 380 014  
Tel: 403531, 403532  
Telex: 0121-234  
Cable: BLUE FROST

Blue Star Ltd.  
40/4 Lavelle Road  
BANGALORE 560 001  
Tel: 57881, 867780  
Telex: 0845-430 BSLBIN  
Cable: BLUESTAR

Blue Star Ltd.  
Sahas  
414/2 Vir Savarkar Marg  
Prabhadevi  
BOMBAY 400 025  
Tel: 422-6155  
Telex: 011-71193 BSSS IN  
Cable: FROSTBLUE

Blue Star Ltd.  
Kalyan, 19 Vishwas Colony  
Alkapuri, BARODA, 390 005  
Tel: 65235, 65236  
Cable: BLUE STAR

Blue Star Ltd.  
7 Hare Street  
P.O. Box 506  
CALCUTTA 700 001  
Tel: 230131, 230132  
Telex: 031-61120 BSNF IN  
Cable: BLUESTAR

Blue Star Ltd.  
13 Community Center  
New Friends Colony  
NEW DELHI 110 065  
Tel: 682547  
Telex: 031-2463  
Cable: BLUEFOST

Blue Star Ltd.  
2-2-47/1108 Bolarum Rd.  
SECUNDERABAD 500 003  
Tel: 72057, 72058  
Telex: 0155-459  
Cable: BLUEFROST

Blue Star Ltd.  
T.C. 7/603 Poornima  
Manuthunkuzhi  
TRIVANDRUM 695 013  
Tel: 65799, 65820  
Telex: 0884-259  
Cable: BLUESTAR

Hewlett-Packard India  
Meridian Commercial Complex  
6th Floor  
8 Windsor Place  
Janpath  
NEW DELHI 110 001  
Tel: 91-11384911  
Telex: 31-4935 HPNDIN

## INDONESIA

BERCA Indonesia P.T.  
P.O.Box 496/Jkt.  
Jl. Abdul Muhs 62  
JAKARTA  
Tel: 21-373009  
Telex: 46748 BERSAL IA  
Cable: BERSAL JAKARTA

BERCA Indonesia P.T.  
P.O.Box 2497/Jkt  
Antara Bldg., 12th Floor  
Jl. Medan Merdeka Selatan 17  
JAKARTA-PUSAT  
Tel: 21-340417  
Telex: 46748 BERSAL IA

BERCA Indonesia P.T.  
Jalan Kutai 24  
SURABAYA  
Tel: 67118  
Telex: 31146 BERSAL SB  
Cable: BERSAL-SURABAYA

## IRAQ

Hewlett-Packard Trading S.A.  
Service Operation  
Al Mansoor City 609/10/7  
BAGHDAD  
Tel: 551-49-73  
Telex: 212-455 HEPAIRAQ IK

## IRELAND

Hewlett-Packard Ireland Ltd.  
Temple House, Temple Road  
Blackrock, Co. DUBLIN  
Tel: (353/1) 883399  
Telex: 30439

Hewlett-Packard Ltd.  
75 Belfast Rd, Carrickfergus  
Belfast BT38 8PH  
NORTHERN IRELAND  
Tel: 09603-67333  
Telex: 747626

## ISRAEL

Eidan Electronic Instrument Ltd.  
P.O. Box 1270  
JERUSALEM 91000  
Tel: 06/54831  
JERUSALEM 94467  
Tel: 533 221, 553 242  
Telex: 25231 AB/PKARD IL

Computation and Measurement  
Systems (CMS) Ltd.  
11 Masad Street  
67060  
TEL-AVIV  
Tel: 388 388  
Telex: 33569 Motil IL

## ITALY

Hewlett-Packard Italiana Spa  
Via G. di Vittorio 10  
20094 CORSCIO (MI)  
Tel: 02/4408351  
Fax: 02/4409864

Hewlett-Packard Italiana Spa  
Via Nuova Rivoltana 95  
20090 LIMITO (MI)  
Tel: 02/75761  
Fax: 02/7576230

Hewlett-Packard Italiana Spa  
Via Emilia 51/C  
40011 ANZOLA  
DELL'EMILIA (BO)  
Tel: 051/731061

Hewlett-Packard Italiana Spa  
Via M. Ricci 17 - Patombina Nuova  
60100 ANCONA  
Tel: 071/883782

Hewlett-Packard Italiana Spa  
Traversa 89C Giulio Petroni 19  
70124 BARI  
Tel: 080/410744  
Fax: 080/417891

Hewlett-Packard Italiana Spa  
Via Principe Nicola 43G/C  
95126 CATANIA  
Tel: 095/371087  
Fax: 095/388569

Hewlett-Packard Italiana Spa  
Via G. Di Vittorio 9  
20063 CERNUSCO S/N (MI)  
Tel: 02/923691  
Fax: 02/9237746

Hewlett-Packard Italiana Spa  
Via Sacco e Vanzetti 1/A  
50145 FIRENZE  
Tel: 055/318533  
Fax: 055/373965

Hewlett-Packard Italiana Spa  
Viale Brigata Bisagno 2  
16129 GENOVA  
Tel: 010/541141  
Fax: 010/591733

Hewlett-Packard Italiana Spa  
Via Orazio 16  
80122 NAPOLI  
Tel: 081/7611444  
Fax: 081/680164

Hewlett-Packard Italiana Spa  
Via Pellizzo 15  
35128 PADOVA  
Tel: 049/8070166  
Fax: 049/773097

Hewlett-Packard Italiana Spa  
Via Del Tintoretto 200  
00144 ROMA  
Tel: 06/54831  
Fax: 06/5408710

# SALES OFFICES

Arranged alphabetically by country (cont'd)

## ITALY (Cont'd)

Hewlett-Packard Italiana Spa  
Corso Svizzera 185  
10149 **TORINO**  
Tel: 011/744044  
Fax: 011/7710815

## IVORY COAST

Stie Ivoirienne des Techniques  
de l'Informatique  
Immeuble C.N.A. - 5e etage  
Avenue General de Gaulle  
P.O. Box 161  
**ABIDJAN 01**  
Tel: 32 12 27  
Telex: 22149

Engineering Business Concept (E.B.C.)  
Angle Avenue J. Anoma et Bd.  
Republique  
08 B.P. 323 **ABIDJAN 08**  
Tel: 32 50 24, 41 48 70  
Fax: 35 37 90

## JAPAN

Yokogawa-Hewlett-Packard Ltd.  
Nihon-Seimei Akita  
Chuo-Dori Bldg.  
4-2-7 Naka-dori  
**AKITA, 010**  
Tel: (81/188) 36-5021

Yokogawa-Hewlett-Packard Ltd.  
152-1, Onna  
**ATSUGI, Kanagawa, 243**  
Tel: (81/462) 25-0031  
Fax: (81/462) 25-0064

Yokogawa-Hewlett-Packard Ltd.  
3-1 Motochiba-cho  
**CHIBA, 280**  
Tel: (81/472) 25-7701  
Fax: (81/472) 21-0382

Yokogawa-Hewlett-Packard Ltd.  
Dai-3 Hakata-Kaisei Bldg.  
1-3-6 Hakata-eki Minami  
Hakata-ku, **FUKUOKA 812**  
Tel: (81/92) 472-8731

Yokogawa-Hewlett-Packard Ltd.  
Nihon-Dantai-Seimei-  
Koriyama Bldg.  
21-10 Toramaru-cho,  
Koriyama **FUKUSHIMA, 963**  
Tel: (81/249) 39-7111

Yokogawa-Hewlett-Packard Ltd.  
Yasuda-Seimei Hiroshima Bldg.  
6-11, Hon-dori, Naka-ku  
**HIROSHIMA, 730**  
Tel: (81/82) 241-0611  
Fax: (81/82) 241-0619

Yokogawa-Hewlett-Packard Ltd.  
Issai Bldg.  
2-3-17 Takezono, Tsukuba  
**IBARAGI, 305**

Yokogawa-Hewlett-Packard Ltd.  
Mito Mitsui Bldg.  
1-4-73, Sanno-maru  
Mito, **IBARAKI 310**  
Tel: (81/292) 25-7470

Yokogawa-Hewlett-Packard Ltd.  
Towa Building 2-2-3  
Kaigan-dori, Chuo-ku  
**KOBE, 650**  
Tel: (81/78) 392-4791  
Fax: (81/78) 392-4839

Yokogawa-Hewlett-Packard Ltd.  
Kumagaya Asahi 82 Bldg.  
3-4 Tsukuba  
**KUMAGAYA, Saitama 360**  
Tel: (81/485) 24-6563  
Fax: (81/485) 24-9050

Yokogawa-Hewlett-Packard Ltd.  
Shin-Kyoto Center Bldg.  
614 Higashi-Shiokoji-cho  
Karasuma-Nishi-Iru, Shiokoji-Dori  
Shimogyo-ku, **KYOTO, 600**  
Tel: (81/75) 343-0921  
Fax: (81/75) 343-4356

Yokogawa-Hewlett-Packard Ltd.  
Mito Mitsui Bldg.  
1-4-73, Sanno-Maru  
**MITO, Ibaraki 310**  
Tel: (81/292) 25-7470  
Fax: (81/292) 31-6589

Yokogawa-Hewlett-Packard Ltd.  
Nagano-Tokyokaijo Bldg.  
1081, Minamiagata-Machi  
Nagano-shi, **NAGANO, 380**  
Tel: (81/262) 24-8012  
Fax: (81/262) 24-8016

Yokogawa-Hewlett-Packard Ltd.  
Nagoya Kokusai Center Building  
1-47-1, Nagono, Nakamura-ku  
**NAGOYA, AICHI 450**  
Tel: (81/52) 571-5171  
Fax: (81/52) 565-0896

Yokogawa-Hewlett-Packard Ltd.  
Sai-Kyo-Ren Building  
1-2 Dole-cho  
**OOMIYA-SHI SAITAMA 330**  
Tel: (0486) 45-8031

Yokogawa-Hewlett-Packard Ltd.  
Chuo Bldg., 5-4-20 Nishi-Nakajima  
4-20 Nishinakajima, 5 Chome,  
Yodogawa-ku  
**OSAKA, 532**  
Tel: (81/6) 304-6021  
Fax: (81/6) 304-0216

Yokogawa-Hewlett-Packard Ltd.  
1-27-15, Yabe  
**SAGAMIHARA, Kanagawa, 229**  
Tel: (81/427) 59-1311

Yokogawa-Hewlett-Packard Ltd.  
Hamamatsu Motoshiro-cho Daichi  
Seimei Bldg 219-21, Motoshiro-cho  
Hamamatsu-shi  
**SHIZUOKA, 430**  
Tel: (81/534) 56-1771  
Fax: (81/534) 552371

Yokogawa-Hewlett-Packard Ltd.  
Shinjuku Daiichi Seimei Bldg.  
Nishi Shinjuku 2-7-1,  
Shinjuku-ku, **TOKYO 163**  
Tel: (81/3) 348-4611  
Fax: (81/3) 348-7969

Yokogawa-Hewlett-Packard Ltd.  
9-1, Takakura-cho  
Hachioji-shi, **TOKYO, 192**  
Tel: 81-426-42-1231

Yokogawa-Hewlett-Packard Ltd.  
Tokyo-Nissam-Minato Bldg.  
1-6-34 Konan, Minato-ku  
**TOKYO 108**  
Tel: (81/3) 458-5411

Yokogawa-Hewlett-Packard Ltd.  
29-21 Takaïdo-Higashi, 3-chome  
Suginami-ku **TOKYO 168**  
Tel: (03) 331-6111  
Telex: 232-2024 YHPTOK

Yokogawa-Hokushin Electric Corp.  
(YEW)  
Shinjuku-NS Bldg. 10F  
9-32 Nockacho 2 Chome  
Shinjuku-ku  
**TOKYO, 163**  
Tel: (03) 349-1859  
Telex: J27584

Yokogawa-Hewlett-Packard Ltd.  
Toyoda-Tokyo-Kaijo Bldg.  
1-179 Miyukoi-Hon-cho  
**TOYODA 473**  
Tel: (81/565) 27-5611

Yokogawa-Hewlett-Packard Ltd.  
Chiyodaseimei-Utsunomiya Bldg.  
2-3-1, Ohdori, **UTSUNOMIYA, Tochigi-**  
Shi 320  
Tel: (81/286) 33-1153  
Fax: (81/286) 33-1175

Yokogawa-Hewlett-Packard Ltd.  
No. 2 Yasuda Bldg.  
2-32-12, Tsuruyo-cho  
Kanagawa-ku, **YOKOHAMA 221**  
Tel: (81/45) 312-1252  
Fax: (81/45) 311-8328

## KENYA

ADCOM Ltd., inc., Kenya  
P.O. Box 30070  
**NAIROBI**  
Tel: 331955  
Telex: 22639

## KOREA

Samsung Hewlett-Packard Co. Ltd.  
Dongbang Yeoesudo Building  
36-1 Yeouui Do-Dong  
Youngdeungpo-ku  
**SEOUL, 150**  
Tel: (82/2) 784-4666, 784-2666  
Fax: (82/2) 784-7084  
Telex: 25166 SAMSAN K

## KUWAIT

Al-Khaldiya Trading & Contracting  
P.O. Box 830  
**SAFAT 13009**  
Tel: 242 49 10, 241 17 26  
Telex: 22481 AREEG KT  
Cable: VISCOUNT

## LEBANON

Computer Information Systems S.A.L.  
Chammam Building  
P.O. Box 11-6274  
**DORA BEIRUT**  
Tel: 69 31 13, 58 18 35  
Telex: 42309 chacies le  
Fax: 58 18 34

## LUXEMBOURG

Hewlett-Packard Belgium S.A./N.V.  
Blvd de la Woluwe, 100  
Woluwedal  
**B-1200 BRUSSELS**  
Tel: (32/2) 761-3111  
Telex: 23-494 paloben bru

## MADAGASCAR

R.T.I.  
175, Rue Blomet  
75015 Paris  
**FRANCE**  
Tel: (1) 45 31 09 06  
Tlx: 203376  
Fax: (1) 45 31 09 18

## MALAWI

Systron (Private) Ltd.  
**Manhattan Court**  
81 Second Street  
P.O. Box 3458  
**HARARE**  
Zimbabwe  
Tel: 739881/739885  
Telex: 4122  
Fax: 70 20 08

## MALAYSIA

Hewlett-Packard Sales (Malaysia)  
Sdn. Bhd.  
9th Floor  
Chung Khiau Bank Building  
46, Jalan Raja Laut  
**50350 KUALA LUMPUR, MALAYSIA**  
Tel: (60/3) 298-6555  
Fax: (60/3) 291-5495  
Protel Engineering  
P.O. Box 1917  
Lot 6624, Section 64  
23/4 Pending Road  
Kuching, **SARAWAK**  
Tel: 36299  
Telex: 70904 PROMAL MA  
Cable: PROTELENG

## MALTA

R.T.I.  
175, Rue Blomet  
75015 **PARIS**  
France  
Tel: (1) 45 31 09 06  
Telex: 203376  
Fax: (1) 45 31 09 18

## MAURITANIA

R.T.I.  
175, Rue Blomet  
75015 **PARIS**  
France  
Tel: (1) 45 31 09 06  
Tlx: 203376  
Fax: (1) 45 31 09 18

## MAURITIUS

R.T.I.  
175, Rue Blomet  
75015 **PARIS**  
France  
Tel: (1) 45 31 09 06  
Tlx: 203376  
Fax: (1) 45 31 09 18

## MEXICO

Hewlett-Packard de Mexico,  
S.A. de C.V.  
Rio Nio No. 4049 Desp. 12  
Fracc. Cordoba  
**JUAREZ, Mexico**  
Tel: 161-3-15-62

Hewlett-Packard de Mexico,  
S.A. de C.V.  
Condominio Kadereya  
Circuito del Prado No. 186 Desp. 6  
Col. Del Mexon - 76030  
**QRO, Mexico**  
Tel: 463-6-02-71

Hewlett-Packard de Mexico,  
S.A. de C.V.  
Monti Morelos No. 299  
Fraccionamiento Loma Bonita 45060  
**GUADALAJARA, Jalisco**  
Tel: (52/36) 31 46 00  
Telex: 0684 186 ECOME

Hewlett-Packard de Mexico,  
S.A. de C.V.  
Monte Pelvoux No. 111  
Lomas de Chapultepec  
10000 **MEXICO, D.F.**  
Tel: (52/5) 596 79 33  
Fax: (52/5) 596 42 08 (Ext 3231)

Hewlett-Packard de Mexico,  
S.A. de C.V.  
Czda. del Valle  
409 Ote. 4th Piso  
Colonia del Valle  
Municipio de Garcia  
66220  **NUEVO LEON**  
Tel: 83-78-42-40  
Telex: 382410 HPMY

Hewlett-Packard Co.  
Latin America Region  
Customer Support Center  
7208 N.W. 31st St.  
**MIAMI, FL 33122**  
United States  
Tel: (305) 599-0465  
Telex: 441603 HPMIAMI  
Fax: 599-0277

Hewlett-Packard de Mexico,  
S.A. de C.V.  
Blvd. Independencia No. 2000 Ote.  
Ote Zerpico  
Co 1 Estrella  
27010 **TORREON, COA.**  
Tel: (52/171) 8 22 01

## MOROCCO

Sicotel  
Complexe des Habous  
*Tour C, avenue des Fr*  
**CASABLANCA 01**  
Tel: 31 22 70  
Telex: 27604

R.T.I.  
175, Rue Blomet  
75015 **PARIS**  
France  
Tel: (1) 45 31 09 06  
Tlx: 203376  
Fax: (1) 45 31 09 18

Socofren Maroc  
164, Boulevard D' Anfa  
**CASABLANCA**  
Tel: 36 08 84, 36 01 77  
Telex: 23940

## NETHERLANDS

Hewlett-Packard Nederland  
Starbaan 16  
1187 XR **AMSTELVEEN**  
Tel: (31/20) 5476911  
Telex: 13 216 HEPAN NL  
Fax: (31/20) 471825

Hewlett-Packard Nederland B.V.  
Bongerd 2  
NL 2900AA CAPELLE A/D IJSSEL  
Tel: 31-20-51-6444  
Telex: 21261 HEPAC NL

Hewlett-Packard Nederland B.V.  
Pasloor Petersstraat 134-136  
P.O. Box 2342  
NL 5600 CH EINDHOVEN  
Tel: 31-40-32-6911  
Telex: 51484 hepae nl  
Fax: (31/40) 446546

#### NEW ZEALAND

Hewlett-Packard (N.Z.) Ltd.  
5 Owens Road  
P.O. Box 26-189  
Epsom, AUCKLAND  
Tel: (64/9) 605-651  
Fax: (64/9) 600-507

Hewlett-Packard (N.Z.) Ltd.  
186-190 Willis Street  
P.O. Box 9443  
WELLINGTON  
Tel: (64/4) 820-400  
Fax: (64/4) 843-380

#### NIGER

S.I.T.E.L.  
Immeuble le General  
Avenue General de Gaulle  
PO Box 161  
ABIDJAN 01  
Ivory Coast  
Tel: 32 12 27  
Telex: 22149

#### NIGERIA

Management Information Systems Ltd.  
3 Gerrard Road, Ikoyi  
LAGOS  
Tel: 68 08 87  
Telex: 23562  
Fax: 68 54 87

#### NORWAY

Hewlett-Packard Norway A/S  
Oesterndalen 16-18  
P.O. Box 34  
N-1345 OESTERAAAS  
Tel: (47/2) 24-6090  
Telex: 76621 HPNAS N

#### NORTHERN IRELAND

See United Kingdom

#### NORWAY

Hewlett-Packard Norway A/S  
Boemergt. 42  
Box 2470  
N-5037 SOLHEIMSVIK  
Tel: (5/29) 10 72

#### OMAN

Suhail & Saud Bahwan  
P.O. Box 169  
MUSCAT/SULTANATE OF OMAN  
Tel: 79 37 41  
Telex: 3585 mb  
Fax: 79 61 58

#### OMAN

Intac LLC  
P.O. Box 9196  
MINA AL FAHAL/SULTANATE OF OMAN  
Tel: 70-77-27, 70-77-23  
Telex: 3865 Tawoos On

#### PAKISTAN

Mushko & Company Ltd.  
House No. 16, Street No. 16  
Sector F-6/3  
ISLAMABAD  
Tel: 824545  
Telex: 54001 Muski Pk  
Cable: FEMUS Islamabad

Mushko & Company Ltd.  
Oosman Chambers  
Abdullah Haroon Road  
KARACHI 0302  
Tel: 524131, 524132  
Telex: 2894 MUSKO PK  
Cable: COOPERATOR Karachi

#### PANAMA

Electronico Balboa, S.A.  
Calle Samuel Lewis, Ed. Alta  
Apartado 4929  
PANAMA CITY  
Tel: 9-011-507-636613  
Telex: 368 3483 ELECTRON PG

#### PERU

Cia Electro Médica S.A. (ERMED)  
Los Flamencos 145, Ofc. 301/2  
San Isidro  
Casilla 1030  
LIMA 1 Peru  
Tel: 9-011-511-4-414325, 41-3705  
Telex: 39425257 PE PB SIS

#### PHILIPPINES

The Online Advanced Systems Corp.  
2nd Floor, Electra House  
115-117 Esteban Street  
P.O. Box 1510  
Legaspi Village, Makati  
Metro MANILA  
Tel: 815-38-10 (up to 16)  
Telex: 63274 ONLINE PN

#### PORTUGAL

Mundinter Intercambio  
Mundial de Comercio  
Avenida Antonio 2761  
LISBON  
Tel: 53 21 31, 53 21 37  
Telex: 16691

CPC Instrumentacao  
Torre de Santo Antonio  
rua Gregorio Lopes, Lote  
Restelo  
1400 LISBON  
Tel: 617343/44/45/46  
Telex: 27432/26054  
Fax: 617345

C.P.C.S.I.  
Rua de Costa Cabral 575  
4200 PORTO  
Tel: 493122  
Telex: 26054, 27432  
Fax: 48 87 21

#### PUERTO RICO

Hewlett-Packard Puerto Rico  
Box 4048  
Aguadilla, PR 00605  
Tel: (809) 891-5235

Hewlett-Packard Puerto Rico  
101 Munoz Rivera Avenue  
Esu. Calle Ochoa  
HATO REY, 00918  
Tel: (809) 754-7800

#### QATAR

Qatar Datamation Systems  
P.O. Box 350  
DOHA  
Tel: 41 32 82  
Tlx: 4833  
Fax: 42 63 78

#### REUNION ISLAND

R.T.I.  
175, Rue Blomet  
75015 PARIS  
France  
Tel: (33/1) 45310906  
Telex: 42/203376

#### RWANDA

R.T.I.  
175, Rue Blomet  
75015 PARIS  
France  
Tel: (33/1) 45310906  
Telex: 42/203376  
Fax: (1) 45 31 09 18

#### SAUDI ARABIA

Modern Electronics Establishment  
P.O. Box 281  
Thuobah  
AL-KHOBAR 31952  
Tel: 895-1760, 895-1764  
Telex: 671 106 HPMEEK SJ  
Cable: ELECTA AL-KHOBAR

Modern Electronics Establishment  
P.O. Box 1228  
Redec Plaza, 6th Floor  
JEDDAH  
Tel: 644 96 28  
Telex: 4027 12 FARNAS SJ  
Cable: ELECTA JEDDAH

Modern Electronics Establishment  
P.O. Box 22015  
RIYAOH 11495  
Tel: 4763030  
Telex: 402040 MEERYD SJ

#### SCOTLAND

See United Kingdom

#### SENEGAL

2SC  
10, rue Tolbiac  
B.P. 3716  
DAKAR R.P.  
(Please contact R.T.I. France.)  
Tel: (212) 222248  
Telex: 906/671

R.T.I.  
175, Rue Blomet  
75015 PARIS  
France  
Tel: 45310906  
Telex: 203376  
Fax: (1) 45 31 09 18

#### SINGAPORE

Hewlett-Packard Singapore Ltd.  
1150 Depot Road  
SINGAPORE, 0410  
Tel: (65) 273 7388  
Fax: (65) 278 8990

#### SOUTH AFRICA

Hi Performance Systems (Pty.) Ltd.  
P.O. Box 120, Howard Place  
CAPE TOWN 7450  
Tel: (27/21) 53-7954  
Fax: (27/21) 53-5119

#### SOUTH AFRICA

Private Bag Wendywood  
SANDTON 2144  
Tel: (27/11) 802-5111  
Fax: (27/11) 802-6332

#### SPAIN

Hewlett-Packard Española, S.A.  
Avda. Diagonal, 605  
08028-BARCELONA  
Tel: (34/3) 401 91 00  
Telex: 52603 hpbee  
Bilbao (Vizcaya) Sales  
Hewlett-Packard Español, S.A.  
Avda. Zugazarte, 8  
48930 - Las Arenas - VIZCAYA

Hewlett-Packard Española, S.A.  
C/ta. N-VI, Km. 16, 500  
Las Rozas  
E-MADRID  
Tel: (34/1) 6370011  
Telex: 23515 HPE

Hewlett-Packard Española, S.A.  
Avda. S. Francisco Javier, S/N  
Planta 10. Edificio Sevilla 2  
E-SEVILLA 5, SPAIN  
Tel: (34/54/64) 4454  
Telex: 72933

Hewlett-Packard Española, S.A.  
Isabel La Catolica, 8  
46004 VALENCIA  
Tel: (34/6) 351 59 44  
Telex: 63435  
Fax: (34/6) 351 59 44

Hewlett-Packard Española, S.A.  
Avda. de Zugazarte, 8  
48930 - Las Arenas  
VIZCAYA  
Tel: (34/4) 464 32 55  
Telex: 33032

#### SUDAN

Mediterranean Engineering &  
Trading Co., Ltd.  
P.O. Box 1025  
KHARTOUM  
Tel: (249) 4 1184  
Telex: 24052

R.T.I.  
175, Rue Blomet  
75015 PARIS  
France  
Tel: (1) 45 31 09 06  
Tlx: 203376  
Fax: (1) 45 31 09 18

#### SWEDEN

Hewlett-Packard Sverige AB  
Östra Tullgatan 3  
20011 MALMO  
Box 6132  
Tel: (46/40) 702 70  
Telex: (854) 17886 (via Spånga office)  
Fax: (46/40) 97 74 18

Hewlett-Packard Sverige AB  
Elementvagen 16  
S-7022 7 ÖREBRO  
Tel: (49/19) 10 48 80  
Telex: (854) 17886 (via Spånga office)

Hewlett-Packard Sverige AB  
Skalholmsgatan 9, Kista  
P.O. Box 19  
S-16493 KISTA  
Tel: 46/6750-200  
Telex: (854) 17886  
Telefax: (08) 7527781

Hewlett-Packard Sverige AB  
Box 266  
Topasgatan 1A  
S-42123 VÄSTRA-FROLUNDA  
(Gothenburg)  
Tel: (031) 891000  
Telex: (854) 17886 (via Spånga office)

#### SWITZERLAND

Hewlett-Packard (Schweiz) AG  
Clarastrasse 12  
CH-4058 BASEL  
Tel: (41/61) 681 59 20  
Fax: (41/61) 681 98 59

Hewlett-Packard (Schweiz) AG  
7, rue du Bois-du-Lan  
Case postale 365-1356  
CH-1217 MEYRIN 1  
Tel: (41/22) 7804111  
Telex: 27333 HPAG CH

Hewlett-Packard (Schweiz) AG  
Allmend  
CH-8967 WIDEN  
Tel: (41/57) 321 111  
Telex: 53933 HPAG CH  
Fax: (41/57) 321 475

#### SYRIA

Middle East Electronics  
P.O. Box 2308  
Abu Rumaneh  
DAMASCUS  
Tel: 33 45 92  
Telex: 411 771 Meesy

#### TAIWAN

Hewlett-Packard Taiwan Ltd.  
Taipei Office  
8th Floor, Hewlett-Packard Building  
337 Fu Hsing North Road  
TAIPEI  
Tel: (02) 712-0404  
Telex: 24439 HEWPACK  
Cable: HEWPACK Taipei  
Hewlett-Packard Taiwan Ltd.  
THM Office  
2, Huan Nan Road  
CHUNG LI, Taoyuan  
Tel: (034) 929-866

**SALES OFFICES****Arranged alphabetically by country (cont'd)****TAIWAN (Cont'd)**

Hewlett-Packard Taiwan Ltd.  
Taichung Office  
5FL, 67, Sec. 3,  
Wen-Hsin Road,  
**TAICHUNG**  
Tel: (04) 254-1201

Hewlett-Packard Taiwan Ltd.  
Kaohsiung Office  
11/F, 456, Chung Hsiao 1st Road  
**KAHSIUNG**  
Tel: (07) 2412318

**TANZANIA**

Adcom Ltd, Inc. Kenya  
P.O. Box 30070

**NAIROBI**

Kenya  
Tel: 33 19 55  
Telex: 22639

**THAILAND**

Unimesa Co. Ltd.  
2540 Sukumvit Avenue  
Bangna  
**BANGKOK** 10260  
Tel: 662-398-6953  
Telex: 84439 Simonco TH  
Cable: UNIMESA Bangkok

**TOGO**

S.I.T.E.L.  
Immeuble le General  
Avenue General de Gaulle  
P.O. Box 161  
**ABIDJAN** 01  
Ivory Coast  
Tel: 92 12 27  
Telex: 22149

Societe Africaine De Promotion  
Immeuble Sageb  
Rue d'Atakpame  
P.O. Box 4150  
**LOME**  
Tel: 21-62-88  
Telex: 5357

**TRINIDAD & TOBAGO**

Caribbean Telecoms Ltd.  
Corner McAllister Street &  
Eastern Main Road, Laventille  
P.O. Box 732  
**PORT-OF-SPAIN**  
Tel: 624-4213  
Telex: 22561 CARTEL WG  
Cable: CARTEL, PORT OF SPAIN

Computer and Controls Ltd.  
P.O. Box 51  
1 Taylor Street  
**PORT-OF-SPAIN**  
Tel: (809) 622-7719/622-7985  
Telex: 38722798 COMCON WG  
LOGOG AGENCY 1264

**TUNISIA**

Precision Electronique  
5, rue de Chypre  
Mutuelleville  
1002 **TUNIS BELVEDERE**  
**TUNIS**  
Tel: 78 50 37  
Tlx: 13238

**TURKEY**

E.M.A.  
Mediha Eldem Sokak No. 41/6  
Yenisehir  
**ANKARA**  
Tel: 131 4695, 131 9175  
Telex: 46912n emsetr  
Cable: EMATRADE ANKARA

Hewlett-Packard Bilgisayar Ve Olcum  
Sistemleri A.S. (Headquarter)  
Mesrutiyet Mah. 19 Mayıs Cad.  
Nova-Baran Plaza Kat: 11-12  
**SISLI / ISTANBUL**  
Tel: 175 29 70  
Telex: 39150  
Fax: 175 29 92

Hewlett-Packard Bilgisayar Ve Olcum  
Sistemleri A.S.  
Paris Caddesi No 3  
Diare 9  
06670 **ANKARA**  
Tel: 125 83 13  
Telex: 46180  
Fax: 125 47 45

**UGANDA**

Adcom Ltd, Inc. Kenya  
P.O. Box 30070  
**NAIROBI**  
Kenya  
Tel: 33 19 55  
Telex: 22639

**UNITED ARAB  
EMIRATES**

Emirat Ltd.  
P.O. Box 1641  
**SHARJAH**  
Tel: 591181  
Telex: 487 10 EMITAC EM  
Cable: EMITAC SHARJAH

Emirat Ltd.  
P.O. Box 2711  
**ABU DHABI**  
Tel: 8204 19-20  
Cable: EMITACH ABUDHABI

Emirat Ltd.  
P.O. Box 8391  
**DUBAI**,  
Tel: 377591

Emirat Ltd.  
P.O. Box 473  
**RAS AL KHAIMAH**  
Tel: 28133, 21270

**UNITED KINGDOM****ENGLAND**

Hewlett-Packard Ltd.  
Customer Information Centre  
King St. Lane  
Winnersh, Wokingham  
G6-BERKSHIRE RG11 5AR  
Tel: (44/734) 784774  
Telex: 847-178  
Fax: 777285

Hewlett-Packard Ltd.  
Miller House  
The Ring, BRACKNELL  
Berkshire RG12 1XN  
Tel: (44/344) 424-898  
Fax: (44/7344) 860015, Ext 56023

Hewlett-Packard Ltd.  
Customer Sales & Support  
Building 1, Filton Road  
Stoke Gifford  
**BRISTOL, BS12 6QZ**  
Tel: (44/272) 236000

Hewlett-Packard Ltd.  
Oakfield House, Oakfield Grove  
Clifton **BRISTOL**, Avon BS8 2BN  
Tel: 44-272-736 806  
Telex: 444302

Hewlett-Packard Ltd.  
9 Bridewell Place  
**LONDON EC4V 6BS**  
Tel: (44/583) 6565  
Fax: (44/583) 6565, Ext 4713

Hewlett-Packard Ltd.  
Heathside Park Rd.  
Cheadle Heath, Stockport  
**GB-MANCHESTER SK3 ORB**  
Tel: (44/61) 428-0828  
Telex: 668068  
Fax: 4955009

Hewlett-Packard Ltd.  
Harman House  
No. 1 George St.  
Uxbridge,  
**GB-MIDDLESEX UB8 1YH**  
Tel: (44/895) 72020  
Telex: 893155  
Fax: 73684

Hewlett-Packard Ltd.  
Pontefract Road  
**NORMANTON**,  
West Yorkshire WF6 1RN  
Tel: (44/924) 895-566  
Fax: (44/924) 896-691  
Telex: 557355

Hewlett-Packard Ltd.  
The Quadrangle  
106-118 Station Road  
**REDHILL**, Surrey RH1 1PS  
Tel: 44-737-686-55  
Telex: 947234

Hewlett-Packard Ltd.  
Avon House  
435 Stratford Road  
Shirley, **SOLIHULL**, West Midlands  
B90 4BL  
Tel: 44-21-745-8800  
Telex: 339105

Hewlett-Packard Ltd.  
Heathside Park Road  
Cheadle Heath, Stockport  
**CHESHIRE SK3 ORB**  
Tel: (44/61) 428-0828  
Fax: (44/61) 495-5009  
Telex: 668068

Hewlett-Packard Ltd.  
Harman House  
No. 1 George Street  
**UXBRIDGE**, Middlesex UB8 1YH  
Tel: (44/895) 72020  
Fax: (44/895) 73684

Hewlett-Packard Ltd.  
King Street Lane  
Winnersh, **WOKINGHAM**  
Berkshire RG11 5AR  
Tel: (44/734) 784774  
Fax: (44/7344) 777285 Ext 52285

**NORTHERN IRELAND**

Hewlett-Packard (Ireland) Ltd.  
Carrickfergus Industrial Centre  
75 Beilast Road, Carrickfergus  
**C.O. ANTRIM BT38 8PM**  
Tel: 09603 67333

Unit 5  
Bridgewood House  
Newforge Lane  
Malone Road  
**BELFAST BT95 NW**  
Tel: (353/232) 664-851  
Fax: (353/232) 665-619

**SCOTLAND**

Hewlett-Packard Ltd.  
1/3 Springburn Place  
College Milton North  
**EAST KILBRIDE, G74 5NU**  
Tel: 035-52-49261  
Fax: 03552-35929  
Telex: 779615

Hewlett-Packard Ltd.  
**SOUTH QUEENS FERRY**  
West Lothian, EH30 9TG  
Tel: 031-331-1188  
Fax: 031-331-7412

**UNITED STATES**

Hewlett-Packard Co.  
Customer Information Center  
Tel: (800) 752-0900  
Hours: 6:00 AM to 5:00 PM  
Pacific Time

**Alabama**

Hewlett-Packard Co.  
2100 Riverchase Center  
Building 100 - Suite 118  
**BIRMINGHAM, AL 35244**  
Tel: (205) 988-0547  
Fax: (205) 988-5308

Hewlett-Packard Co.  
620 Discovery Dr.  
**HUNTSVILLE, AL 35806**  
Tel: (205) 830-2000  
Fax: (205) 830-1427

**Alaska**

Hewlett-Packard Co.  
4000 Old Seward Highway  
Suite 101  
**ANCHORAGE, AK 99503**  
Tel: (907) 563-8855  
Fax: (907) 561-7409

**Arizona**

Hewlett-Packard Co.  
8080 Pointe Parkway West  
**PHOENIX, AZ 85044**  
Tel: (602) 273-8000  
Fax: (602) 273-8080

Hewlett-Packard Co.  
3400 East Britannia Dr.  
Bldg. C, Suite 124  
**TUCSON, AZ 85706**  
Tel: (602) 573-7400  
Fax: (602) 573-7429

**Arkansas**

Hewlett-Packard Co.  
10816 Executive Center Dr  
Conway Bldg, Suite 116  
**LITTLE ROCK, AR 72211**  
Tel: (501) 225-7178  
Fax: (501) 221-3614

**California**

Hewlett-Packard Co.  
26701 W. Argoura Rd.  
**CALABASAS, CA 91302**  
Tel: (818) 880-3400  
Fax: (818) 880-3437

Hewlett-Packard Co.  
353 Lakeside Dr  
**FOSTER CITY, CA 94404**  
Tel: (415) 378-8400  
Fax: (415) 378-8405

Hewlett-Packard Co.  
1907 North Gateway Blvd.  
**FRESNO, CA 93727**  
Tel: (209) 252-9652  
Fax: (209) 456-9302

Hewlett-Packard Co.  
1421 S. Manhattan Av.  
**FULLERTON, CA 92631**  
Tel: (714) 999-6700  
Fax: (714) 778-3033

Hewlett-Packard Co.  
7408 Hollister Ave. #A  
**GOLETA, CA 93117**  
Tel: (805) 685-6100  
Fax: (805) 685-6163

Hewlett-Packard Co.  
9800 Muirlando Ave.  
**IRVINE, CA 92718**  
Tel: (714) 472-3000  
Fax: (714) 581-3607 (Direct Dial only)

Hewlett-Packard Co.  
2525 Grand Avenue  
**LONG BEACH, CA 90815**  
Tel: (213) 498-1111  
Fax: (213) 494-1986

Hewlett-Packard Co.  
5651 West Manchester Ave.  
**LOS ANGELES, CA 90045**  
Tel: (213) 337-8000  
Fax: (213) 337-8338

Hewlett-Packard Co.  
321 E. Evelyn Ave.  
Bldg. 330  
**MOUNTAIN VIEW, CA 94039**  
Tel: (415) 694-2000  
Fax: (415) 694-0600

Hewlett-Packard Co.  
5161 Lankershim Blvd.  
**NORTH HOLLYWOOD, CA 91601**  
Tel: (818) 505-5600  
Fax: (818) 505-5875

Hewlett-Packard Co.  
5725 W. Las Positas Blvd.  
**PLEASANTON, CA 94566**  
Tel: (415) 460-0282  
Fax: (415) 460-0713

Hewlett-Packard Co.  
4244 So. Market Court, Suite A  
**SACRAMENTO, CA 95834**  
Tel: (916) 929-7222  
Fax: (916) 927-7152

Hewlett-Packard Co.  
9606 Aero Drive  
**SAN DIEGO, CA 92123**  
Tel: (619) 279-3200  
Fax: (619) 268-8487

Hewlett-Packard Co.  
50 Fremont St., Suite 200  
**SAN FRANCISCO, CA 94 105**  
Tel: (415) 882-6800  
Fax: (415) 882-6805

Hewlett-Packard Co.  
3003 Scott Boulevard  
**SANTA CLARA, CA 95054**  
Tel: (408) 988-7000  
Fax: (408) 988-7103

Hewlett-Packard Co.  
5280 Valentine Rd., Suite 205  
**VENTURA, CA 93003**  
Tel: (805) 658-6898  
Fax: (805) 650-0721

### Colorado

Hewlett-Packard Co.  
2945 Center Green Court South  
Suite A  
**BOULDER, CO 80301**  
Tel: (303) 938-3065  
Fax: (303) 938-3025

Hewlett-Packard Co.  
24 Inverness Place, East  
**ENGLEWOOD, CO 80112**  
Tel: (303) 649-5000  
Fax: (303) 649-5787

### Connecticut

Hewlett-Packard Co.  
3 Parkland Dr.  
**DARIEN, CT 06820**  
Tel: (203) 656-0040  
Fax: (203) 656-5563

Hewlett-Packard Co.  
115 Glastonbury Blvd  
**GLASTONBURY, CT 06033**  
Tel: (203) 633-8100  
Fax: (203) 659-6087

### Florida

Hewlett-Packard Co.  
5900 N. Andrews, Suite 100  
**FORT LAUDERDALE, FL 33309**  
Tel: (305) 938-9800  
Fax: (305) 938-2293

Hewlett-Packard Co.  
6800 South Point Parkway  
Suite 301  
**JACKSONVILLE, FL 32216**  
Tel: (904) 636-9955  
Fax: (904) 636-9955

Hewlett-Packard Co.  
255 East Drive, Suite B  
**MELBOURNE, FL 32901**  
Tel: (407) 729-0704  
Fax: (407) 723-4557

Hewlett-Packard Co.  
6177 Lake Ellenor Drive  
**ORLANDO, FL 32809**  
Tel: (407) 859-2900  
Fax: (407) 826-9309

Hewlett-Packard Co.  
4700 Bayou Blvd.  
Building 5  
**PENSACOLA, FL 32503**  
Tel: (904) 476-8422  
Fax: (904) 476-4116

Hewlett-Packard Co.  
5550 Idlewild, #150  
**TAMPA, FL 33634**  
Tel: (813) 884-3282  
Fax: (813) 889-4445

### Georgia

Hewlett-Packard Co.  
2015 South Park Place  
**ATLANTA, GA 30339**  
Tel: (404) 955-1500  
Fax: (404) 980-7669

Hewlett-Packard Co.  
3607 Parkway Lane  
Suite 300  
**NORCROSS, GA 30092**  
Tel: (404) 448-1894  
Fax: (404) 246-5206

### Hawaii

Hewlett-Packard Co.  
Pacific Tower  
1001 Bishop St.  
Suite 2400  
**HONOLULU, HI 96813**  
Tel: (808) 526-1555  
Fax: (808) 536-7873

### Idaho

Hewlett-Packard Co.  
11309 Chinden Blvd.  
**BOISE, ID 83714**  
Tel: (208) 323-2700  
Fax: (208) 323-2528

### Illinois

Hewlett-Packard Co.  
2205 E. Empire St.  
**BLOOMINGTON, IL 61704**  
Tel: (309) 662-9411  
Fax: (309) 662-0351

Hewlett-Packard Co.  
525 W. Monroe St., Suite 1308  
**CHICAGO, IL 60606**  
Tel: (312) 930-0010  
Fax: (312) 930-0986

Hewlett-Packard Co.  
1200 East Diehl Road  
**NAPERVILLE, IL 60566**  
Tel: (312) 357-8800  
Fax: (312) 357-9896

Hewlett-Packard Co.  
5201 Toffview Drive  
**ROLLING MEADOWS, IL 60008**  
Tel: (312) 255-9800  
Fax: (312) 259-5878

### Indiana

Hewlett-Packard Co.  
11911 N. Meridian St.  
**CARMEL, IN 46032**  
Tel: (317) 844-4100  
Fax: (317) 843-1291

Hewlett-Packard Co.  
111 E. Ludwig Road  
Suite 108  
**FT. WAYNE, IN 46825**  
Tel: (219) 482-4283  
Fax: (219) 482-9907

### Iowa

Hewlett-Packard Co.  
4050 River Center Court  
**CEDAR RAPIDS, IA 52402**  
Tel: (319) 393-0606  
Fax: (319) 378-1024

Hewlett-Packard Co.  
4201 Corporate Dr.  
**WEST DES MOINES, IA 50265**  
Tel: (515) 224-1435  
Fax: (515) 224-1870

### Kansas

Hewlett-Packard Co.  
North Rock Business Park  
3450 N. Rock Rd.  
Suite 300  
**WICHITA, KS 67226**  
Tel: (316) 636-4040  
Fax: (316) 636-4504

### Kentucky

Hewlett-Packard Co.  
305 N. Hurstbourne Lane,  
Suite 100  
**LOUISVILLE, KY 40222**  
Tel: (502) 426-0100  
Fax: (502) 426-0322

### Louisiana

Hewlett-Packard Co.  
160 James Drive East  
**ST. ROSE, LA 70087**  
Tel: (504) 467-4100  
Fax: (504) 467-4100 x 291

### Maryland

Hewlett-Packard Co.  
3701 Koppers Street  
**BALTIMORE, MD 21227**  
Tel: (301) 644-5800  
Fax: (301) 362-7650

Hewlett-Packard Co.  
2 Choke Cherry Road  
**ROCKVILLE, MD 20850**  
Tel: (301) 948-6370  
Fax: (301) 948-5986

### Massachusetts

Hewlett-Packard Co.  
1775 Minuteman Road  
**ANDOVER, MA 01810**  
Tel: (508) 682-1500  
Fax: (508) 794-2619

Hewlett-Packard Co.  
29 Burlington Mall Rd.  
**BURLINGTON, MA 01803-4514**  
Tel: (617) 270-7000  
Fax: (617) 221-5240

### Michigan

Hewlett-Packard Co.  
3033 Orchard Vista S.E.  
**GRAND RAPIDS, MI 49546**  
Tel: (616) 957-1970  
Fax: (616) 956-9022

Hewlett-Packard Co.  
39550 Orchard Hill Place Drive  
**NOVI, MI 48050**  
Tel: (313) 349-9200  
Fax: (313) 349-9240

Hewlett-Packard Co.  
560 Kirks Rd.  
Suite 101  
**TROY, MI 48064**  
Tel: (313) 362-5180  
Fax: (313) 362-3028

### Minnesota

Hewlett-Packard Co.  
2025 W. Larpenneur Ave.  
**ST. PAUL, MN 55113**  
Tel: (612) 644-1100  
Fax: (612) 641-9787

### Mississippi

Hewlett-Packard Co.  
800 Woodland Parkway, Suite 101  
**RIDGELAND, MS 39157**  
Tel: (601) 957-0730  
Fax: (601) 957-2515

### Missouri

Hewlett-Packard Co.  
13001 Hollenberg Drive  
**BRIDGETON, MO 63044**  
Tel: (314) 344-5100  
Fax: (314) 344-5273

Hewlett-Packard Co.  
6601 Winchester Ave.  
**KANSAS CITY, MO 64133**  
Tel: (816) 737-0071  
Fax: (816) 737-4690

### Montana

Hewlett-Packard Co.  
13001 Hollenberg Drive  
**BRIDGETON, MT 63044**  
Tel: (314) 344-5100  
Fax: (314) 344-5273

### Nebraska

Hewlett-Packard  
11626 Nicholas St.  
**OMAHA, NE 68154**  
Tel: (402) 493-0300  
Fax: (402) 493-4334

### New Jersey

Hewlett-Packard Co.  
120 W. Century Road  
**PARAMUS, NJ 07653**  
Tel: (201) 599-5000  
Fax: (201) 599-5382

Hewlett-Packard Co.  
10 Sylvan Way  
**PARSIPPANY, NJ 07054**  
Tel: (201) 682-4000  
Fax: (201) 682-4031

Hewlett-Packard Co.  
20 New England Av.  
**PISCATAWAY, NJ 08854**  
Tel: (201) 562-6100  
Fax: (201) 562-6246

### New Mexico

Hewlett-Packard Co.  
7801 Jefferson N.E.  
**ALBUQUERQUE, NM 87109**  
Tel: (505) 823-6100  
Fax: (505) 823-1243

Hewlett-Packard Co.  
1362-C Trinity Dr.  
**LOS ALAMOS, NM 87544**  
Tel: (505) 662-6700  
Fax: (505) 662-4312

### New York

Hewlett-Packard Co.  
5 Computer Drive South  
**ALBANY, NY 12205**  
Tel: (518) 458-1550  
Fax: (518) 458-1550 x 0393

Hewlett-Packard Co.  
130 John Muir Dr.  
**AMHERST, NY 14228**  
Tel: (716) 689-3003  
Fax: (716) 636-7034

Hewlett-Packard Co.  
200 Cross Keys Office Park  
**FAIRPORT, NY 14450**  
Tel: (716) 223-9500  
Fax: (716) 223-6331

Hewlett-Packard Co.  
7641 Henry Clay Blvd.  
**LIVERPOOL, NY 13088**  
Tel: (315) 451-1820  
Fax: (315) 451-1820 x 255

Hewlett-Packard Co.  
No. 1 Pennsylvania Plaza  
55th Floor  
34th Street & 7th Avenue  
**MANHATTAN NY 10119**  
Tel: (212) 971-0800  
Fax: (212) 330-6967

Hewlett-Packard Co.  
2975 Westchester Ave  
**PURCHASE, NY 10577**  
Tel: (914) 935-6300  
Fax: (914) 935-6497

Hewlett-Packard Co.  
Executive Square Office Bldg.  
66 Middlebush Rd.  
**WAPPINGERS FALLS, NY 12590**  
Tel: (914) 298-9125  
Fax: (914) 298-9154

Hewlett-Packard Co.  
3 Crossways Park West  
**WOODBURY, NY 11797**  
Tel: (516) 882-7800  
Fax: (516) 882-7806 (2)

### North Carolina

Hewlett-Packard Co.  
305 Gregson Dr.  
**CARY, NC 27511**  
Tel: (919) 467-6600  
Fax: (919) 460-2296  
(919) 460-2297

Hewlett-Packard Co.  
P. O. Box 240318  
**CHARLOTTE, NC 28224**  
Tel: (704) 527-8780  
Fax: (704) 523-7857

Hewlett-Packard Co.  
7029 Albert Pick Rd. #100  
**GREENSBORO, NC 27409**  
Tel: (919) 865-1800  
Fax: (919) 668-1797

Mailing Address  
PO Box 26500  
Greensboro, NC 27426

### Ohio

Hewlett-Packard Co.  
2717 S. Arlington Rd.  
**AKRON 44312**  
Tel: (216) 844-2270  
Fax: (216) 644-7415

Hewlett-Packard Co.  
4501 Erskine Road  
**CINCINNATI, OH 45242**  
Tel: (513) 891-9870  
Fax: (513) 891-0033

# SALES OFFICES

## Arranged alphabetically by country (cont'd)

### UNITED STATES (Cont'd)

Hewlett-Packard Co.  
Moutroffe West Ave.  
**COPLEY, OH 44321**  
Tel: (216) 666-7711  
Fax: (216) 666-6054

Hewlett-Packard Co.  
7887 Washington Village Dr.  
**DAYTON, OH 45459**  
Tel: (513) 433-2223  
Fax: (513) 433-8633

Hewlett-Packard Co.  
9080 Springboro Pike  
**MIAMISBURG 45342**  
Tel: (513) 433-2223  
Fax: (513) 433-3633

Hewlett-Packard Co.  
15885 Sprague Road  
**STRONGSVILLE, OH 44136**  
Tel: (216) 243-7300  
Fax: (216) 234-7230

Hewlett-Packard Co.  
One Maritime Plaza, 5th Floor  
720 Water Street  
**TOLEDO, OH 43604**  
Tel: (419) 242-2200  
Fax: (419) 241-7655

Hewlett-Packard Co.  
675 Brooksedge Blvd.  
**WESTERVILLE, OH 43081**  
Tel: (614) 891-3344  
Fax: (614) 891-1476

#### Oklahoma

Hewlett-Packard Co.  
3525 N.W. 56th St.  
Suite C-100  
**OKLAHOMA CITY, OK 73112**  
Tel: (405) 946-9499  
Fax: (405) 942-2127

Hewlett-Packard Co.  
6655 South Lewis,  
Suite 105  
**TULSA, OK 74136**  
Tel: (918) 481-6700  
Fax: (918) 481-2250

#### Oregon

Hewlett-Packard Co.  
9255 S. W. Pioneer Court  
**WILSONVILLE, OR 97070**  
Tel: (503) 682-8000  
Fax: (503) 682-8155

#### Pennsylvania

Hewlett-Packard Co.  
Heatherwood Industrial Park  
50 Dorchester Rd.  
P.O. Box 6080  
**HARRISBURG, PA 17112**  
Tel: (717) 657-5900  
Fax: (717) 657-5946

Hewlett-Packard Co.  
111 Zeta Drive  
**PITTSBURGH, PA 15238**  
Tel: (412) 782-0400  
Fax: (412) 963-1300

Hewlett-Packard Co.  
2750 Monroe Boulevard  
**VALLEY FORGE, PA 19482**  
Tel: (215) 666-9000  
Fax: (215) 666-2034

#### South Carolina

Hewlett-Packard Co.  
Brookside Park, Suite 122  
1 Harbison Way  
**COLUMBIA, SC 29212**  
Tel: (803) 732-0400  
Fax: (803) 732-4567

Hewlett-Packard Co.  
545 N. Pleasantburg Dr.  
Suite 100  
**GREENVILLE, SC 29607**  
Tel: (803) 232-8002  
Fax: (803) 232-8739

#### Tennessee

Hewlett-Packard Co.  
One Energy Center Suite 200  
Pelissippi Pkwy.  
**KNOXVILLE, TN 37932**  
Tel: (615) 966-4747  
Fax: (615) 966-8147

Hewlett-Packard Co.  
889 Ridge Lake Blvd.,  
Suite 100  
**MEMPHIS, TN 38119**  
Tel: (901) 763-4747  
Fax: (901) 762-9723

Hewlett-Packard Co.  
44 Vantage Way,  
Suite 160  
**NASHVILLE, TN 37228**  
Tel: (615) 255-1271  
Fax: (615) 726-2310

#### Texas

Hewlett-Packard Co.  
9050 Capital of Texas Highway, North  
#290  
**AUSTIN, TX 78759**  
Tel: (512) 346-3855  
Fax: (512) 338-7201

Mailing Address  
PO Box 9431  
**Austin, TX 78766-9430**

Hewlett-Packard Co.  
5700 Cromo Dr.  
**EL PASO, TX 79912**  
Tel: (915) 833-4400  
Fax: (915) 581-8097

Hewlett-Packard Co.  
10535 Harwin Drive  
**HOUSTON, TX 77036**  
Tel: (713) 776-6400  
Fax: (713) 776-6495

Hewlett-Packard Co.  
3301 West Royal Lane  
**IRVING, TX 75063**  
Tel: (214) 869-3377  
Fax: (214) 830-8951

Hewlett-Packard Co.  
109 E. Toronto, Suite 100  
**MCALLEN, TX 78503**  
Tel: (512) 630-3030  
Fax: (512) 630-1355

Hewlett-Packard Co.  
930 E. Campbell Rd.  
**RICHARDSON, TX 75081**  
Tel: (214) 231-6101  
Fax: (214) 699-4337

Hewlett-Packard Co.  
14100 San Pedro Ave., Suite 100  
**SAN ANTONIO, TX 78232**  
Tel: (512) 494-9336  
Fax: (512) 491-1299

#### Utah

Hewlett-Packard Co.  
3530 W. 2100 South  
**SALT LAKE CITY, UT 84119**  
Tel: (801) 974-1700  
Fax: (801) 974-1780

#### Virginia

Hewlett-Packard Co.  
840 Greenbrier Circle  
Suite 101  
**CHESAPEAKE, VA 23230**  
Tel: (804) 424-7105  
Fax: (804) 424-1494

Hewlett-Packard Co.  
4401 Water Front Dr.  
**GLEN ALLEN, VA 23060**  
Tel: (804) 747-7750  
Fax: (804) 965-9297

Hewlett-Packard Co.  
2800 Electric Road Suite 100  
**ROANOKE, VA 24018**  
Tel: (703) 774-3444  
Fax: (703) 989-8049

#### Washington

Hewlett-Packard Co.  
15815 S.E. 37th Street  
**BELLEVUE, WA 98006**  
Tel: (206) 643-4000  
Fax: (206) 643-8748

Hewlett-Packard Co.  
N. 1225 Argonne Rd  
**SPOKANE, WA 99212-2657**  
Tel: (509) 922-7000  
Fax: (509) 927-4236

#### West Virginia

Hewlett-Packard Co.  
501 56th Street  
**CHARLESTON, WV 25304**  
Tel: (304) 925-0492  
Fax: (304) 925-1910

#### Wisconsin

Hewlett-Packard Co.  
275 N. Corporate Dr.  
**BROOKFIELD, WI 53005**  
Tel: (414) 792-8800  
Fax: (414) 792-0218

#### URUGUAY

Pablo Ferrando S.A.C. e.l.  
Avenida Italia 2877  
**MONTEVIDEO**  
Tel: 59-82-802-586  
Telex: 398802586

Olympia de Uruguay S.A.  
Maquinas de Oficina  
Avda. del Libertador 1997  
Casilla de Correos 6644  
**MONTEVIDEO**  
Tel: 91-1809, 98-3807  
Telex: 6342 OROU YU

#### VENEZUELA

Analytical Supplies, CA  
Quinta #103 Impermes  
Av El Centro  
Los Chorros  
Apartado 75472  
**CÁRACAS**  
Tel: 364904, 2394047  
Telex: 26274 CABIC

Hewlett-Packard de Venezuela C.A.  
Residencias Tia Betty Local 1  
Avenida 3 Y con Calle 75  
**MARACAIBO, Estado Zulia**  
Apartado 2646  
Tel: 586175669  
Telex: 62464 HPMAR

#### YUGOSLAVIA

Do Hermes  
General Zdanova 4  
**YU-11000 BEOGRAD**  
Tel: (011) 342 641  
Telex: 11433

Do Hermes  
Celovska 73  
**YU-61000 LJUBLJANA**  
Tel: (061) 553 170  
Telex: 31583

#### ZAIRE

C.I.E.  
Computer & Industrial Engineering  
25 Ave. de la Justice Gombe  
Boite Postale 10976  
**KINSHASA**  
Tel: 32 063, 32 633, 28 251  
Telex: 21552  
Fax: 22 850

#### ZAMBIA

R.J. Tisbury (Zambia) Ltd.  
P.O. Box 32792  
**LUSAKA**  
Tel: 21 55 80  
Telex: 40128

#### ZIMBABWE

Field Consolidated (Private) Ltd.  
Systron Division  
Mannhattan Court  
61 Second Street  
P.O. Box 3458  
**HARARE**  
Tel: 73 98 81  
Telex: 26241  
Fax: 70 20 08

Please send directory corrections to:  
Test & Measurement Catalog  
Hewlett-Packard Company  
3200 Hillview Avenue  
Palo Alto, CA 94304  
Tel: (415) 857-4706  
Fax: (415) 857-3880

September 1989