

Notice

The information in this guide is subject to change without notice.

COMPAQ COMPUTER CORPORATION SHALL NOT BE LIABLE FOR TECHNICAL OR EDITORIAL ERRORS OR OMISSIONS CONTAINED HEREIN; NOR FOR INCIDENTAL OR CONSEQUENTIAL DAMAGES RESULTING FROM THE FURNISHING, PERFORMANCE, OR USE OF THIS MATERIAL.

This guide contains information protected by copyright. No part of this guide may be photocopied or reproduced in any form without prior written consent from Compaq Computer Corporation.

© 1998 Compaq Computer Corporation.
All rights reserved. Printed in Korea.

COMPAQ, ARMADA, and LTE are registered in the U.S. Patent and Trademark Office.

Microsoft, MS-DOS, Windows, Windows NT, and other names of Microsoft products mentioned herein are trademarks or registered trademarks of Microsoft Corporation.

All other product names mentioned herein may be trademarks or registered trademarks of their respective companies.

Software described herein is furnished under a license agreement or nondisclosure agreement. The software may be used or copied only in accordance with the terms of the agreement.

COMPAQ ARMADA 6500 CONVENIENCE BASE

Installation and Operations Guide

First Edition October 1998
Part Number ER-PM1AC-IM.A01

Compaq Computer Corporation

Table of Contents

1 Introduction

Contents of Packing Box	1-1
For Further Information	1-2
Identifying the Components.....	1-2
Front and Right Side Components	1-2
Rear Components	1-4

2 Docking and Undocking

Docking the Computer.....	2-1
Connecting External Devices.....	2-3
Connecting the Universal AC Adapter.....	2-3
Turning On the System	2-3
Configuring for a Desktop System.....	2-3
Undocking the Computer.....	2-4
Charging a Battery Using the Convenience Base	2-6

3 Connecting to an Ethernet Network

Connecting to a Twisted Pair Ethernet Network.....	3-1
Installing Network Drivers.....	3-2

A Troubleshooting

Solving Minor Problems A-1
Worldwide Telephone Numbers A-7

B Federal Communications Commission Notice B-1

C Power Cord Set Requirement C-1

1

Introduction

The Compaq Armada 6500 notebook can be used as a full office personal computer by connecting it to the Armada 6500 Convenience Base. The convenience base eliminates the need to disconnect and reconnect several desktop devices each time you move your notebook onto or off of your desk.

The Armada 6500 Convenience Base features a full port replication, a battery charge bay, and includes a port for a physical locking device that provides security for your computer by allowing you to fasten it to your desk. Your printer, keyboard, or monitor stays connected to the convenience base, whether the computer is docked or undocked.

This guide provides information on docking and undocking the computer to and from the convenience base and procedures on operating.

Contents of Packing Box

Before you began, ensure that you have removed everything from the packing box. In addition to this guide, you should have the following:

- Armada 6500 Convenience Base
- AC Adapter with power cord
- Warranty and service information

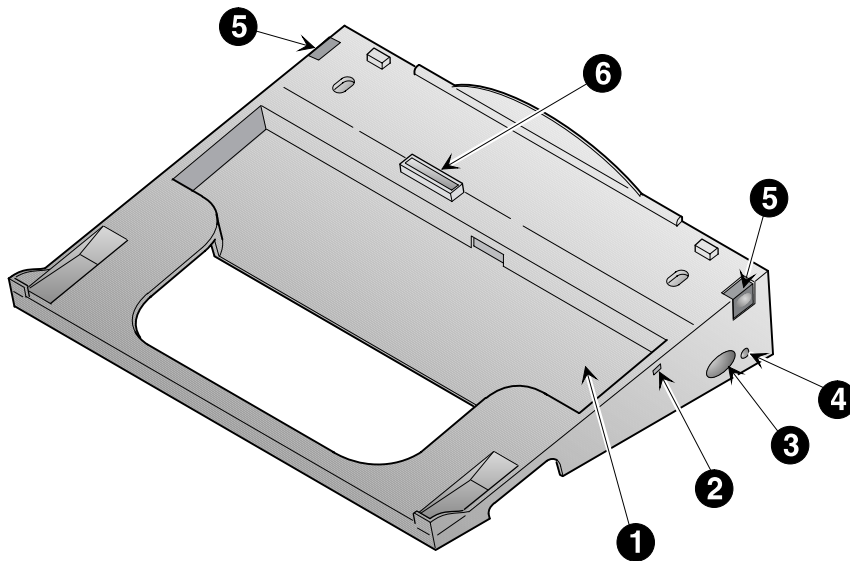
For Further Information

For additional information on using the computer refer to the *Reference Guide* included with the computer.

The convenience base is covered by a one-year warranty. Refer to the warranty and service information included with this product to determine country, type, and terms of coverage.

Identifying the Components

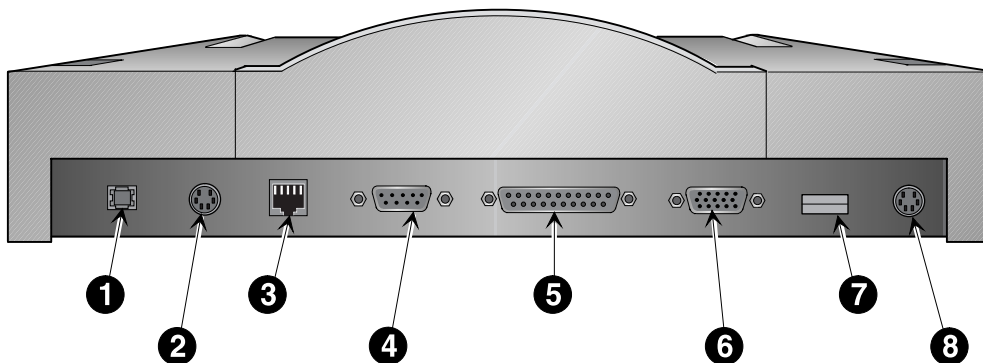
Front and Right Side Components



DEC01201

Component	Functional Description
❶ Battery Charging Bay	Charges a battery with or without the computer docked.
❷ Charge light	When lit, indicates that the battery in the battery charging bay is charging.
❸ Undock request button	Press to send an undock request to the operating system.
❹ Docking light	When lit, indicates that the device is docked. When the light is off, indicates that the device is undocked or it is safe to undock the computer.
❺ Release button	Press to undock the computer. The release button is provided on both the right and left sides of the convenience base. When the docking light is on or if the Dock Security feature is enabled and the correct password was not entered, the buttons are locked.
❻ Docking connector	Mates to the docking connector on the computer.

Rear Components



DEC01200

Component	Functional Description
❶ External power-in	Input connection for the universal AC adapter.
❷ Mouse connector	Connect a PS/2 type mouse to this port.
❸ RJ45 network interface port	Connect a 10 to 100BaseT Ethernet line to this port.
❹ Serial port	Connect a serial device such as a mouse or graphics tablet to this port.
❺ Parallel port	Connect a parallel device such as a printer to this port.
❻ Video port	Connect an external monitor to this port.
❼ USB port	Connect a Universal Serial Bus (USB) device, such as a mouse, keyboard, or scanner to this port.
❽ Keyboard connector	Connect a PS/2 type keyboard to this connector.

2

Docking and Undocking

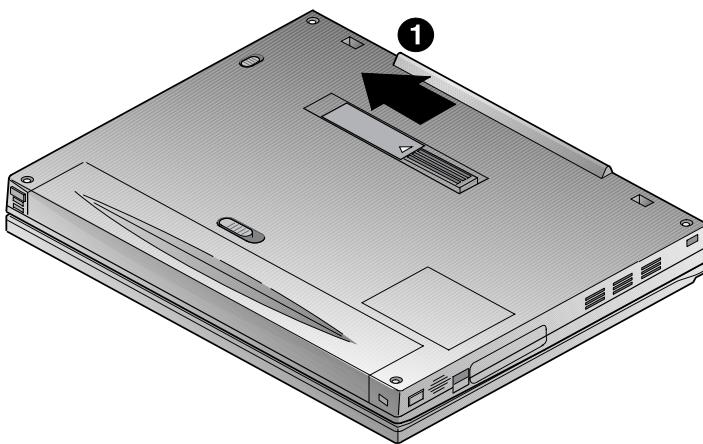
This chapter provides information on docking and undocking the computer to and from the Armada 6500 Convenience Base.

Docking the Computer

The Armada 6500 Convenience Base supports hot docking with the computer. When docking the notebook to the Armada 6500 Convenience Base, there is no need to place the computer in Suspend or turn it off. It also supports hot docking of the Mobile 6500 Expansion Unit with the computer attached.

To dock the computer to the convenience base, follow these steps:

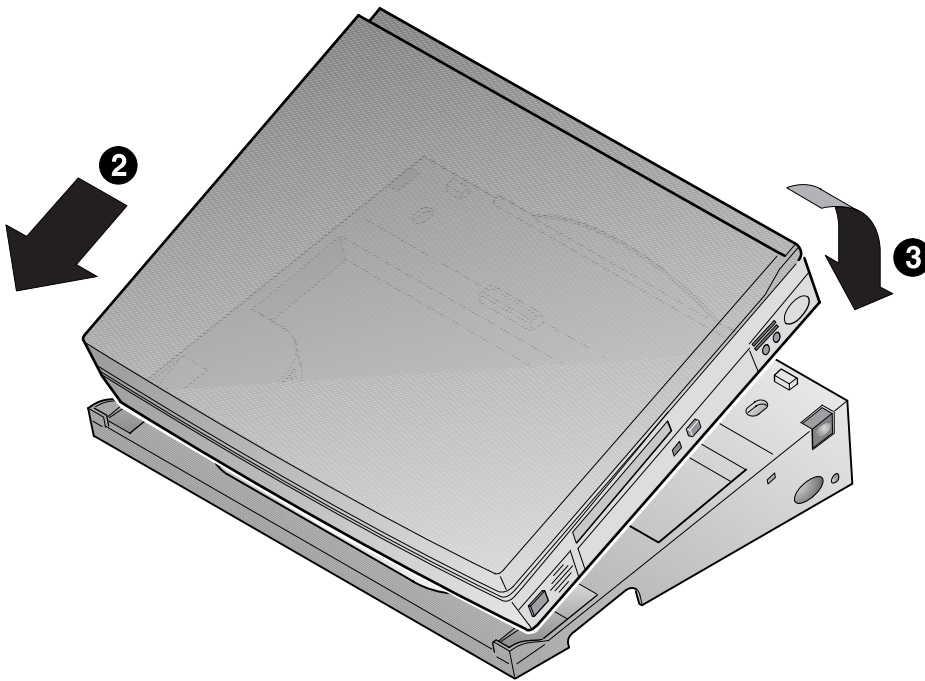
1. Close the I/O connector cover on the rear of the computer.
2. Slide open the docking connector cover **1** on the bottom side of the computer.



DEC01632

Docking and Undocking

3. Slide the computer into the convenience base ②. It is not necessary to close the computer.
4. To ensure connection, press down on the rear of the computer to engage the docking connectors ③ that secure the computer to the expansion unit.



DEC01148

Note

When shipped, the computer display is set to LCD Display and External Monitor (simul scan) mode. If the monitor does not appear to receive a signal from the computer, press **Fn + F4** to ensure the computer is not in the LCD Display mode.

Connecting External Devices

To connect external devices to the convenience base:

1. Turn off power to the computer, convenience base, and all devices.
2. Connect external devices and turn on power to all devices, if applicable.

Note

To complete the device connections, some manufactures require you to install software drivers. Refer to the documentation included with the device for details.

Connecting the Universal AC Adapter

To connect the AC adapter:

1. Connect the adapter to the external power-in connector on the convenience base.
2. Plug the small end of the power cord into the adapter.
3. Plug the power cord into an electrical outlet.

Turning On the System

To turn on the computer and convenience base system:

1. Turn on all external devices connected to the convenience base.
2. Press the power button on the computer.

Configuring for a Desktop System

If you're using the computer in a desktop environment, configure the computer Lid Switch function to Desktop CRT using the System Setup Program. When set to Desktop/CRT mode, the system is prevented from entering Suspend when the display is closed. This allows you to emulate a desktop computer using an external monitor. Refer to the *Reference Guide* that came with your computer for additional information on Lid Switch settings.

Undocking the Computer

The Armada 6500 Convenience Base supports hot undocking from the computer. When undocking the computer from the convenience base, there is no need to place the computer in Suspend or turn it off. It also supports hot undocking of the Mobile 6500 Expansion Unit with the computer connected.

Note

When the Password on Undock feature is enabled in System Setup, you cannot undock the computer from the convenience base if the system is in Suspend or power is turned off. The system will need to be turned on and the Undock Request button pressed or make an Undock request from Windows.

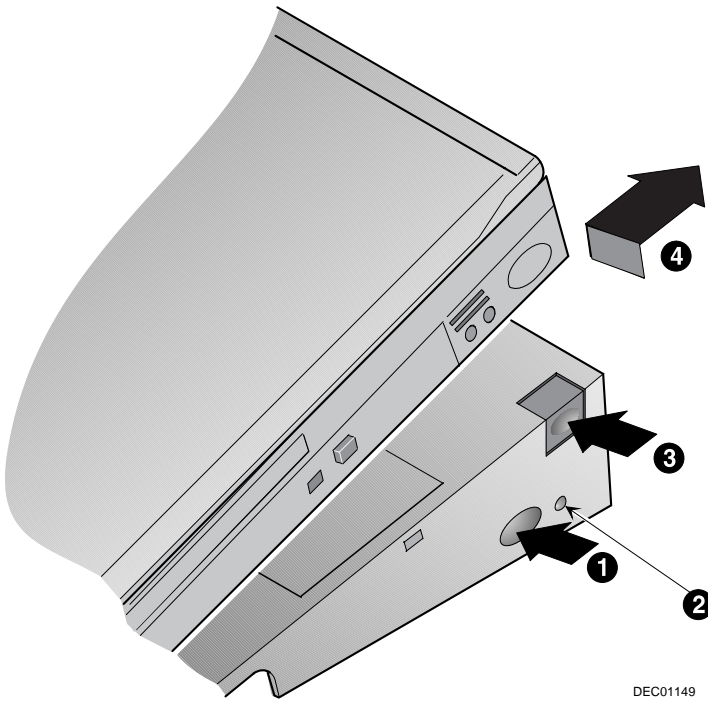
To undock the computer from the convenience base, follow these steps:

Undocking the computer with power turned on

1. Press the undock request button ❶ on the right side of the convenience base or make an undock request from Windows.
2. If the Password on Undock feature is enabled, you will be prompted to enter a password before the undock request is recognized.
3. Wait for the docking light ❷, next to the undock request button, to turn off.
4. Simultaneously press the release buttons ❸ on the left and rights of the convenience base.
5. Lift the computer up and away ❹ from the convenience base.

Undocking the computer with power turned off

1. Simultaneously press the release buttons **3** on the left and right sides of the convenience base.
2. Lift the computer up and away **4** from the Expansion unit.



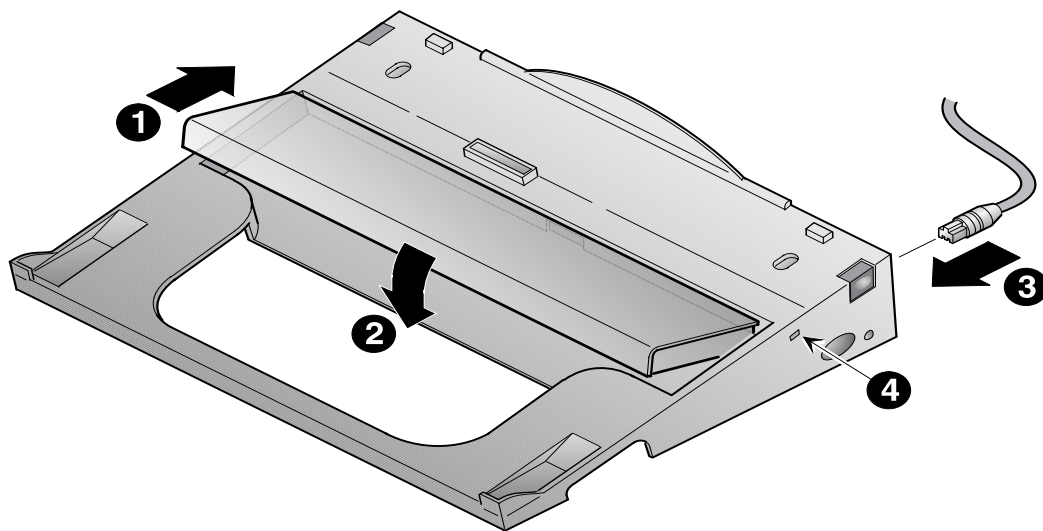
DEC01149

Charging a Battery Using the Convenience Base

The Armada 6500 Convenience Base provides a bay to charge a main battery pack. You can charge a battery with or without the computer docked to the convenience base.

To charge a battery pack:

1. Place the main battery pack in the Battery Charging Bay ❶.
2. Ensure that the battery is securely seated in the charge bay ❷.
3. Connect the AC adapter power cord ❸ to the external power connector.
4. The charge light is lit ❹, indicating the main battery is charging. When the light goes out, the battery is fully charged.



DEC01155

Connecting to an Ethernet Network

The Armada 6500 Convenience Base is equipped to connect to a twisted pair Ethernet network using an RJ45 jack. The convenience base is designed for 10- or 100-megabits-per-second Ethernet operation.

Connecting to a Twisted Pair Ethernet Network

Networks that conform to the 10BaseT or 100BaseT standard use an unshielded twisted pair cable with RJ45 jacks at each end.

Warning



To reduce the risk of electrical shock, fire, or damage to the equipment, do not plug a telephone cable into the Ethernet RJ45 jack.

To connect the convenience base to a twisted pair (10BaseT or 100BaseT) Ethernet network:

1. Plug the twisted pair cable into the RJ45 jack on the convenience base.
2. Connect the other end of the twisted pair cable to the main network connector.

Note

Be sure both jacks are seated properly.

3. Install the network drivers required by the operating system.

Installing Network Drivers

Network drivers enable the computer to communicate with the network. These drivers are preloaded on the computer and are provided on the system CD-ROM included with your computer.

Instructions for installing the drivers are contained on the system CD-ROM. To access the instructions:

1. Connect the convenience base to the network.
2. Dock the computer in the convenience base.
3. Turn on the system.
4. Open the instructions using Windows by clicking Start→Run. Type D:\readme.com and click OK.
5. Select the operating system that is used on the computer.
6. Open the Readme.txt file for that operating system.
7. Follow the instructions for installing drivers.

A

Troubleshooting

This appendix provides information on how to identify and correct common problems that you may encounter while using your computer with the convenience base. Troubleshooting information is provided for:

- Docking and undocking the computer
- External device installation
- External keyboard
- Mouse
- Network
- For error messages and possible problems that are not specifically related to using the computer with the convenience base, refer to the troubleshooting section of the *Reference Guide* that comes with the computer.

Solving Minor Problems

While your computer is configured for your particular hardware and software, problems you encounter while working may not be unique. Eliminating the typical problems described in this section may save you time and money. If you have a problem with your computer, consider the possible causes and solutions outlined in the following tables. You may discover something you can resolve easily yourself. If the condition persists, contact your Compaq authorized dealer or reseller, or call one of the Compaq telephone numbers listed in “Worldwide Telephone Numbers” in this appendix.

Troubleshooting

The following tables list possible problems, the possible cause of each problem, and the recommended solution(s).

Docking Problems and Solutions

Problem	Possible Cause	Solution(s)
The computer is not properly docked in the convenience base.	The computer is not properly centered over the docking connector.	Undock the computer and re-dock ensuring that you press down on the rear of the computer to engage the latches and connection to the docking connector.
	The computer is not coupled to docking connector.	Undock the computer and re-dock.

Undocking Problems and Solutions

Problem	Possible Cause	Solution(s)
The computer will not undock.	The Password Undock is disabled.	Enable Password Undock and when prompted, enter the correct password.
	Security cable is locked.	Unlock security cable.
	Docking light is on.	Press the Undock Request button, enter your password, if enabled, and wait for the docking light to turn off.
	The Undock Request button may be defective.	Call the Compaq support number for your country.

External Device Installation Problems and Solutions

Problem	Possible Cause	Solution(s)
A new device is not recognized as part of the computer system.	Power switch of the new external device was not turned on before the system was turned on.	Initiate Suspend, turn on external devices with power switches, then exit Suspend to integrate the new device.
	External device was connected after system was turned on.	Windows 95 or later: Initiate Suspend, plug in and turn on external devices with power switches, then exit Suspend to integrate the new device. Windows NT: Power off computer and external devices. Power back on to integrate new device.

Continued

External Device Installation Problems and Solutions *Continued*

Problem	Possible Cause	Solution(s)
	The signal cable or power cord of the new device is loose or disconnected.	Ensure that all cables are properly and securely connected. Ensure that all power cords are properly and securely plugged into an electrical outlet.
	The signal cable or power cord of the new device may be defective.	Try connecting a different signal cable and/or power cord.

Keyboard Problems and Solutions

Problem	Possible Cause	Solution(s)
External keyboard does not work.	External keyboard may not be securely connected or may be connected to an incorrect external connector.	Ensure that the external keyboard is properly and securely connected to the external keyboard connector.

Mouse Problems and Solutions

Problem	Possible Cause	Solution(s)
External mouse does not work.	External mouse may not be securely connected or may be connected to an incorrect external connector.	Ensure that the external mouse is securely connected to the mouse connector or the correct external connector.
	Mouse was connected after system was turned on.	Initiate Suspend, connect mouse, and then exit Suspend to integrate the mouse.

Solving Network Problems

This section provides guidelines for troubleshooting common Ethernet network problems. Refer to these guidelines when you have determined that the computer in the convenience base is not communicating with the network. These guidelines do not discuss the process of debugging the network cabling.

These are common problems to check first. Refer to the tables on the following pages for additional problems and solutions.

Ensure that the cabling is securely attached to the convenience base. A loose cable is the most common cause of network problems. If the cable is loose, secure it and see if the computer can communicate with the network.

Determine whether the current computer or another computer has communicated with the network from the convenience base. If so, determine whether anything was added or changed that could have stopped the network interface from working.

Run Diagnostics before installing the network drivers to verify that the network interface is working correctly. Refer to the *Reference Guide* included with your computer for more information on running Diagnostics.

Solving Ethernet Network Problems

Problem	Possible Cause	Solution(s)
When turned on, the computer does not detect the network.	The computer is not connected to the Ethernet network.	Connect the computer to the Ethernet network. Refer to Chapter 3 for procedures.
	Suspend was initiated.	Exit Suspend Windows 95 or later: Restart the computer by clicking Start → Shut Down → Restart the Computer. Windows NT: Click Start → Shut Down. Power the computer back on.
After installing network drivers, the computer does not detect network interface.	The network driver fails to load during system initialization.	Ensure that network drivers are loaded and that the drive path is correct.
	If using a network interface card connected to a parallel port, the port has been disabled.	Enable the parallel port. Restart the computer. Press F10 immediately when the cursor moves to the top-right side of the screen.
	Suspend was initiated.	Exit Suspend. Windows 95 or later: Restart the computer by clicking Start → Shut Down → Restart the Computer. Windows NT: Click Start → Shut Down. Power computer back on.
Diagnostics reports a failure.	The cable is not securely connected to the network connector on the Ethernet network.	Ensure that the cable is securely connected to the proper network connector on the Ethernet network.
	There is a problem with the cable or a device at the other end of the cable.	Ensure that the cable and device at the other end of the network connection are operating properly.
	Possible hardware failure.	Contact Customer Support or your service provider. Refer to "Worldwide Telephone Numbers" in this appendix.

Solving Ethernet Network Problems *Continued*

Problem	Possible Cause	Solution(s)
Diagnostics reports no errors, but the computer does not communicate with the network.	Network drivers are not loaded.	Load the network drivers. Windows 95 or later: Restart the computer by clicking Start → Shut Down → Restart the Computer. Windows NT: Click Start → Shut Down. Power the computer back on.
	A network configuration error may have occurred (i.e., *.ini, *.inf, *.nif, or <i>CONFIG.SYS</i> files may need to be modified).	Contact your network administrator, or refer to your network operating system documentation.
	Suspend was initiated.	Exit Suspend. Windows 95 or later: Restart the computer by clicking Start → Shut Down → Restart the Computer. Windows NT: Click Start → Shut Down. Power computer back on.
The computer stopped communicating with the network after exiting Suspend.	The computer does not detect network drivers.	Windows 95 or later: Restart the computer by clicking Start → Shut Down → Restart the Computer. Windows NT: Click Start → Shut Down. Power computer back on.
The computer stopped communicating with the network for no apparent reason.	The cable is not securely connected to the network connector on the Ethernet.	Ensure that the cable is securely connected to the convenience base and Ethernet network.
	General network failure.	Ensure that the network you are connected to is running and has not experienced problems that would prevent the connection.
	The files for the network drivers have been corrupted.	Reinstall the network drivers.

Worldwide Telephone Numbers

Locate your geographical area in the following table and use one of the telephone numbers for Compaq assistance.

General Information Numbers—Product information, technical assistance, and the location of your nearest Compaq authorized dealer, reseller, or service provider.

Technical Support Numbers—Hardware technical support in analyzing system configuration and diagnostic problems or troubleshooting.

Customer Support Numbers—Information on service and support programs including warranty, product catalogs, and white papers.

PaqFax Numbers—Automatic facsimile response system for technical and product-specific information that is transmitted to any fax machine. PaqFax is available 24 hours a day.

Note

Telephone numbers are subject to change without notice.

* Indicates toll-free domestic numbers.

Worldwide Telephone Numbers

Location	Country Code	Telephone Number
Argentina		
General Information	+54	-1-796-1616
Technical Support	+54	-1-796-1717
Australia		
General Information		61-2-9911-1999
Technical Support		61-2-9911-1955
PaqFax		61-2-9911-1982
Austria		
General Information*		0222/8 78-16-16
Technical Support*		0222/8 78-16-16
Order Software Backup	+31	-55-38-43-39
Belgium / Luxembourg		
Compaq Care Center	Bel Lux	0903-99036 (45 BFr/min.)
General Fax	+32	089/89.232
Infoline (resellers, brochures)	+32	(0)2/725 22 13
QuickLine (BBS)	+32	(0)2/716 96 96
Order Software Backup	+32	(0)2/716 95 92
Order Software Backup by Fax	+32	(0)2/716 96 78 (0)2/716 96 79
Brazil		
General Information	+55	-11-246-7866
Canada		
General Information		1-905-707-1715
Technical Support*		1-800-OKCOMPAQ (1-800-652-6672)
Customer Support*		1-800-263-5868
Order Software Backup*		1-800-952-7689
Battery Pack Recycling*		1-800-263-5868

Continued

Worldwide Telephone Numbers

Location	Country Code	Telephone Number
Caribbean		
General Information		1-281-514-4220
Technical Support		1-281-518-2200
Chile		
General Information	+56	-2-274-1911
Technical Support	+56	-2-274-3007
China		
General Information	+86	-10-6831-3399
Technical Support	+86	-10-6834-6721
Colombia		
General Information	+57	-1-312-0201
Technical Support	+57	-1-345-0266
Czech Republic		
General Information	+420	-2-232-8772
Technical Support	+420	-2-232-8772
Denmark		
General Information	+45	-45-90-45-90
Technical Support	+45	-45-90-45-45
Finland		
General Information	+358	-0-615 599
Technical Support*		0203-206 720
QuickLine (BBS)	+358	-0-6155 9870

Continued

Worldwide Telephone Numbers

Location	Country Code	Telephone Number
France		
General Information	+33	-1-41-33-41-33
Technical Support	+33	-1-41-33-44-55
Germany		
	0,48 DM/min.	
Hotline		0180/5 21 21 11
Hotline Fax		0180/5 21 21 17
Infoline		0180/3 22 12 21
Infoline Fax		0180/3 22 12 20
QuickLine		0180/5 21 21 18
FaxPaq		0180/5 21 21 19
Order Software Backup*		0130/81 10 81
Hong Kong		
General Information		852-28681382
Technical Support		852-90116633
PaqFax		852-28671648
Hungary		
General Information	+36	-1-457-3600
Technical Support	+36	-1-457-3682
India		
General Information		91-80-559-6023
PaqFax		91-80-559-8989
BBS		91-80-559-8900
Israel		
General Information	+972	-3-6363-444
Technical Support	+972	-3-6363-444
PaqFax	+972	-3-6396-601

Continued

Worldwide Telephone Numbers

Location	Country Code	Telephone Number
Italy		
General Information	+39	-2-57-59-03-00
Technical Support	+39	-2-57-59-03-00
Japan		
General Information*		0120-101-589
Technical Support*		0120-101-589
Windows 95 Support*		0120-505-589
Order Software Backup*		0120-250-589
FaxStation		81-3-5402-0991
Korea		
General Information		82-2-3470-07001
Technical Support		82-2-523-3575 82-082-902-77774
Malaysia		
General Information		603-717-1188
Technical Support		603-718-1636
Mexico		
General Information	+52	-5-229-7900
Technical Support	+52	-5-229-7910
PaqFax	+52	-5-229-7920
Netherlands		
General Information		0182-565805
Customer Support*		06-91681616 (Dfl. 0.75/min)
Fax*		06-8991116 (Dfl. 0.40/min)
QuickLine Bulletin Board		0182-572366

Continued

Worldwide Telephone Numbers

Location	Country Code	Telephone Number
New Zealand		
General Information		64-9-307-3969
	+47	-22-07-20-00
	+47	-22-07-20-20
Poland		
General Information	+48	-2-630-3535
Technical Support	+48	-2-630-3535
Portugal		
General Information	+351	-1-4128400
Technical Support	+351	-1-4128460
Russia		
General Information	+7	-095-967-1700
Technical Support	+7	-095-967-1700
PaqFax	+7	-095-967-1701
Singapore		
General Information		65-753-6688
Customer Support Center		65-750-3030
PaqFax		65-750-4514
South Africa		
General Information		27-11-728-6999
Technical Support		27-11-728-6999
Spain		
General Information	+34	-902.10.14.14
Technical Support	+34	-1-640-1302

Continued

Worldwide Telephone Numbers

Location	Country Code	Telephone Number
Sweden		
General Information	+46	-8-703-5240
Technical Support	+46	-8-703-5240
PaqFax (hämtfax)	+46	-8-703-5225
QuickLine (BBS)	+46	-8-703-5220
Switzerland		
General Information		0844 844 111
Technical Support		01/838 22 22 (German) 01/838 22 23 (French)
QuickLine Bulletin Board		01/838-24 21
Order Software Backup		0800 556 206
Taiwan		
General Information		886-2-7351000
Technical Support		886-2-3761170
BBS		886-2-3761175
Thailand		
General Information		62-2-679-6222
United Arab Emirates (Dubai)		
General Information	+97	14 -818100
United Kingdom		
General Information		0990-134456
FaxPaq		0181-332-3550
QuickLine Bulletin Board		0181-332-9499

Continued

Worldwide Telephone Numbers

Location	Country Code	Telephone Number
United States		
Product Information*		1-800-345-1518
Technical Support*		1-800-OKCOMPAQ (1-800-652-6672)
PaqFax*		1-800-345-1518, Option 1
Download Facility (modem access only)		1-281-518-1418
Order Software Backup*		1-800-952-7689
Battery Pack Recycling*		1-800-524-9859
Venezuela		
General Information	+58	-2-953-6944

B

Federal Communications Commission Notice

Part 15 of the Federal Communications Commission (FCC) Rules and Regulations has established Radio Frequency (RF) emission limits to provide an interference-free radio frequency spectrum. Many electronic devices, including computers, generate RF energy incidental to their intended function and are, therefore, covered by these rules. These rules place computers and related peripheral devices into two classes, A and B, depending upon their intended installation. Class A devices are those that may reasonably be expected to be installed in a business or commercial environment. Class B devices are those that may reasonably be expected to be installed in a residential environment (i.e., personal computers). The FCC requires devices in both classes to bear a label indicating the interference potential of the device as well as additional operating instructions for the user.

The rating label on the device shows which class (A or B) the equipment falls into. Class B devices have an FCC ID on the label. Class A devices do not have an FCC ID on the label. Once the class of the device is determined, refer to the following corresponding statement.

Class A Equipment

This equipment has been tested and found to comply with the limits for a Class A digital device, pursuant to Part 15 of the FCC Rules. These limits are designed to provide reasonable protection against harmful interference when the equipment is operated in a commercial environment. This equipment generates, uses, and can radiate radio frequency energy and, if not installed and used in accordance with the instructions, may cause harmful interference to radio communications. Operation of this equipment in a residential area is likely to cause harmful interference, in which case the user will be required to correct the interference at personal expense.

Class B Equipment

This equipment has been tested and found to comply with the limits for a Class B digital device, pursuant to Part 15 of the FCC Rules. These limits are designed to provide reasonable protection against harmful interference in a residential installation. This equipment generates, uses, and can radiate radio frequency energy and, if not installed and used in accordance with the instructions, may cause harmful interference to radio communications. However, there is no guarantee that interference will not occur in a particular installation. If this equipment does cause harmful interference to radio or television reception, which can be determined by turning the equipment off and on, the user is encouraged to try to correct the interference by one or more of the following measures:

- Reorient or relocate the receiving antenna.
- Increase the separation between the equipment and receiver.
- Connect the equipment into an outlet on a circuit different from that to which the receiver is connected.
- Consult the dealer or an experienced radio or television technician for help.

Modifications

The FCC requires the user to be notified that any changes or modifications made to this device that are not expressly approved by Compaq Computer Corporation may void the user's authority to operate the equipment.

Cables

Connections to this device must be made with shielded cables with metallic RFI/EMI connector hoods in order to maintain compliance with FCC Rules and Regulations.

Declaration of Conformity for products marked with the FCC logo - United States only

This device complies with Part 15 of the FCC Rules. Operation is subject to the following two conditions: (1) this device may not cause harmful interference, and (2) this device must accept any interference received, including interference that may cause undesired operation.

For questions regarding your product, contact:

Compaq Computer Corporation
P. O. Box 692000, Mail Stop 530113
Houston, Texas 77269-2000

Or, call

1-800- 652-6672 (1-800-OK COMPAQ)

For questions regarding this FCC declaration, contact:

Compaq Computer Corporation
P. O. Box 692000, Mail Stop 510101
Houston, Texas 77269-2000

Or, call

(281) 514-3333

To identify this product, refer to the Part, Series, or Model number found on the product.

Canadian Notice (Avis Canadien)

Class A Equipment

This Class A digital apparatus meets all requirements of the Canadian Interference-Causing Equipment Regulations.

Cet appareil numérique de la classe A respecte toutes les exigences du Règlement sur le matériel brouilleur du Canada.

Federal Communications Commission Notice

Class B Equipment

This Class B digital apparatus meets all requirements of the Canadian Interference-Causing Equipment Regulations.

Cet appareil numérique de la classe B respecte toutes les exigences du Règlement sur le matériel brouilleur du Canada.

European Union Notice

Products with the CE Marking comply with both the EMC Directive (89/336/EEC) and the Low Voltage Directive (73/23/EEC) issued by the Commission of the European Community.

Compliance with these directives implies conformity to the following European Norms (in brackets are the equivalent international standards):

- EN55022 (CISPR 22) - Electromagnetic Interference
- EN50082-1 (IEC801-2, IEC801-3, IEC801-4) - Electromagnetic Immunity
- EN60950 (IEC950) - Product Safety

Taiwan Notice

警告使用者：

這是甲類的資訊產品，在居住的環境中使用時，可能會造成射頻干擾，在這種情況下，使用者會被要求採取某些適當的對策。

Japanese Notice

ご使用になっている装置にVCCIマークが付いていましたら、次の説明文をお読み下さい。

この装置は、情報処理装置等電波障害自主規制協議会（VCCI）の基準に基づくクラスB情報技術装置です。この装置は、家庭環境で使用することを目的としていますが、この装置がラジオやテレビジョン受信機に近接して使用されると、受信障害を引き起こすことがあります。

取扱説明書に従って正しい取り扱いをして下さい。

VCCIマークが付いていない場合には、次の点にご注意下さい。

この装置は、情報処理装置等電波障害自主規制協議会（VCCI）の基準に基づくクラスA情報技術装置です。この装置を家庭環境で使用すると電波妨害を引き起こすことがあります。この場合には使用者が適切な対策を講ずるよう要求されることがあります。

Energy Star Compliance

As an Energy Star Partner, Compaq Computer Corporation has determined that this product meets the Energy Star guidelines for energy efficiency. The Energy Star Computers Program was created by the EPA to promote energy efficiency and reduce air pollution through more energy-efficient equipment in homes, offices, and factories. Compaq products achieve this by reducing the power consumption when not being used. Using the power-saving features will reduce energy use and maximize battery life.

Warning



Your computer contains a lithium-ion or nickel metal hydride battery pack. There is a risk of fire and burns if the battery pack is handled improperly. Do not disassemble, crush, puncture, short external contacts, dispose of in water or fire. Do not expose to temperatures higher than 60°C. Replace only with the Compaq Spare designated for this product.

Airline Travel Notice

Use of electronic equipment aboard commercial aircraft is at the discretion of the airline.

Regulatory Agency Identification Numbers

The following Compaq-approved equipment has been evaluated for use with your convenience base. These Compaq approved equipment can be identified by their assigned series numbers that are listed below. To ensure continued reliable and safe operation of your computer, only this equipment should be used.

System

- Notebook CPUs

Series Numbers

- PP2020

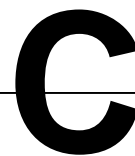
Options

- Lithium Ion Battery Pack
- Mobile Expansion Unit

Series Numbers

- PP2021
- PP2022

Only authorized technicians trained by Compaq should attempt to repair this equipment. All troubleshooting and repair procedures are detailed to allow only subassembly/module level repair. Because of the complexity of the individual boards and subassemblies, no one should attempt to make repairs at the component level or to make modifications to any printed wiring board. Improper repairs can create a safety hazard.



Power Cord Set Requirement

The power cord set (appliance coupler, flexible cord, and wall plug) you ordered or received with your convenience base meets the requirements for use in the country where you purchased your equipment.

Power cord sets for use in other countries must meet the requirements of that country. For more information on power cord set requirements, contact your Compaq authorized dealer.

General Requirements

The requirements listed below are applicable to all countries:

1. The length of the power cord set must be at least 6.00 feet (1.8 m) and a maximum of 9.75 feet (3.0 m).
2. All power cord sets must be approved by an acceptable accredited agency responsible for evaluation in the country where the power cord set will be used.
3. The power cord set must have a minimum current capacity of 2.5A and a nominal voltage rating of 125 or 250 volts AC, as required by each country's power system.
4. The appliance coupler must meet the mechanical configuration of an EN 60 320/IEC 320 Standard Sheet C5 connector, for mating with appliance inlet on the AC adapter.

Country-Specific Requirements

Power Cord Set Requirements		
Country	Accredited Agency	Applicable Note Numbers
Australia	EANSW	1
Austria	OVE	1
Belgium	CEBC	1
Canada	CSA	2
Denmark	DEMKO	1
Finland	FIMKO	1
France	UTE	1
Germany	VDE	1
Italy	IMQ	1
Japan	JIS	3
The Netherlands	KEMA	1
Norway	NEMKO	1
Sweden	SEMKO	1
Switzerland	SEV	1
United Kingdom	BSI	1
United States	UL	2

Notes:

1. Flexible cord must be <HAR> Type HO3VV-F, 3-conductor, 0.75 mm² conductor size. Power cord set fittings (appliance coupler and wall plug) must bear the certification mark of the agency responsible for evaluation in the country where it will be used.
2. Flexible cord must be Type SPT-2 or equivalent, No. 18 AWG, 3-conductor. Wall plug must be a two-pole type with a NEMA 5-15P (15A, 125V) or NEMA 6-15P configuration.
3. Appliance coupler, flexible cord, and wall plug must bear a “T” mark and registration number in accordance with the Japanese Dentori Law. Flexible cord must be Type VCT or VCTF, 3-conductor, 0.75mm² conductor size. Wall plug must be a two-pole type with a Japanese Industrial Standard C8303 (15A, 125V) configuration.