

Compaq Deskpro Workstation

Maintenance & Service Guide

Compaq Deskpro Workstation 300
Convertible Minitor Models
and Compaq Deskpro EXS



Documentation (Not shown)

| | |
|--------------------------------------|------------|
| <i>Maintenance and Service Guide</i> | 222098-001 |
| <i>Quick Troubleshooting Guide</i> | 153837-001 |
| <i>Service Reference Guide</i> | 225698-001 |

©2000 Compaq Computer Corporation. COMPAQ and the Compaq logo Registered U.S. Patent and Trademark Office.

Microsoft, MS-DOS, Windows and other names of Microsoft products referenced herein are trademarks or registered trademarks of Microsoft Corporation.

Intel and Pentium are registered trademarks of Intel Corporation. MMX and Celeron are trademarks of Intel Corporation.

Product names mentioned herein may be trademarks and/or registered trademarks of their respective companies.

Compaq shall not be liable for technical or editorial errors or omissions contained herein. The information in this document is provided "as is" without warranty of any kind and is subject to change without notice. The warranties for Compaq products are set forth in the express limited warranty statements accompanying such products. Nothing herein should be construed as constituting an additional warranty.

First Edition, November 2000.

Part Number: 215249-001



Spare Part Number: 222098-001

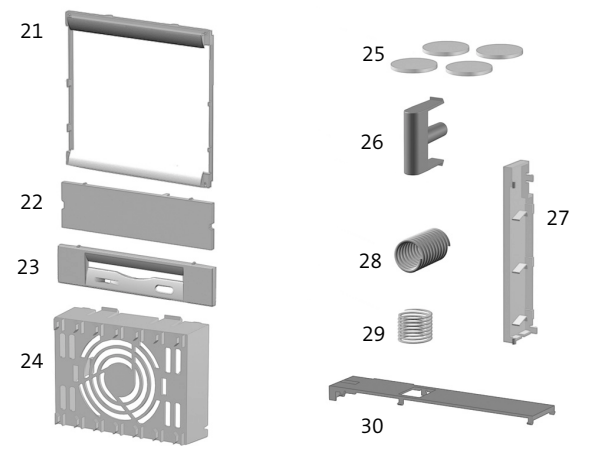
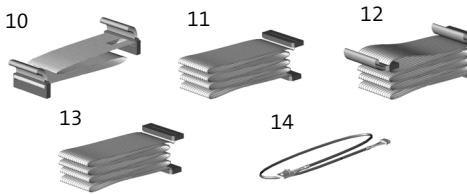
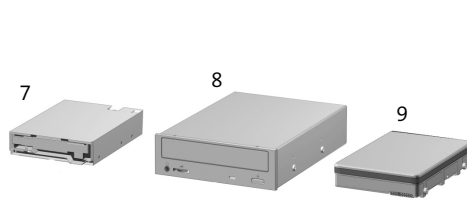
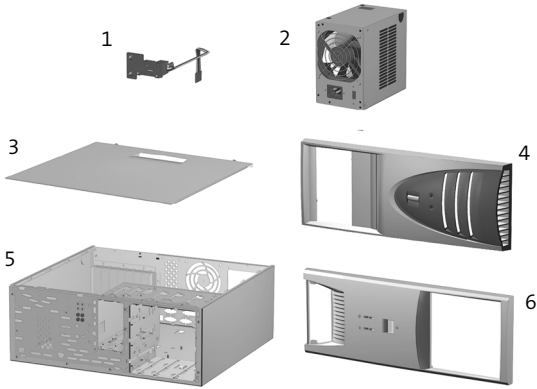


Keyboards - Deskpro EXS (Not shown)

| | |
|--------------------------|------------|
| Easy Access Keyboard-US | 123130-xx1 |
| Asia/Pacific | -37x |
| Australia | -B3x |
| Canada (French Canadian) | -05x |
| Japanese | -29x |
| Japanese (English) | -39x |
| U.S. | -00x |

Keyboards - Deskpro Workstation 300 (Not shown)

| | |
|-------------------------|------------|
| Easy Access Keyboard-US | 123130-xx1 |
| Asia/Pacific | -37x |
| Europe | -A4x |
| French | -05x |
| German | -04x |
| Italian | -06x |
| Japanese | -29x |
| Japanese (English) | -39x |
| Korean | -ADx |
| Spanish | -07x |
| Swiss - English/Italian | -AHx |
| Swiss - French/German | -B5x |
| United Kingdom | -03x |
| U.S. | -00x |



System Unit

| | | |
|---|---|------------|
| 1 | Power switch with cable, LED and switch holder† | 223488-001 |
| 2 | Power supply, 265 Watt | 203430-001 |
| * | Power supply, 265 Watt with PFC (EMEA only)† | 224884-001 |
| 3 | Access panel | Not spared |
| 4 | Front bezel † | 221187-001 |
| 5 | Chassis assembly | Not spared |
| 6 | Front bezel - Deskpro EXS only | 225238-001 |

*Not shown.

†Deskpro Workstation 300 only.

Mass Storage Devices

| | | |
|---|---|------------|
| 7 | Diskette drive, 3.5-inch† | 158266-001 |
| * | Diskette drive, 3.5-inch (Deskpro EXS only) | 123958-001 |
| 8 | 48X CD-ROM drive | 187263-001 |
| 9 | 9.1-GB Hard drive † | 160062-001 |
| * | 18.2-GB Hard drive † | 160063-001 |
| * | 18.2-GB Hard drive † | 194585-001 |
| * | 20-GB Hard drive † | 180475-001 |
| * | 20-GB Hard drive † | 157403-001 |
| * | 30-GB Hard drive † | 180477-001 |
| * | 36-GB Hard drive † | 167926-001 |
| * | 36.4-GB Hard drive † | 192197-001 |
| * | 40-GB Hard drive (Deskpro EXS only) | 202904-001 |
| * | Zip Drive, 250-MB † | 125776-001 |
| * | Writeable CDRW Drive, 8/4/32x | 101916-001 |
| * | DVD-ROM Drive, 10x | 215422-001 |

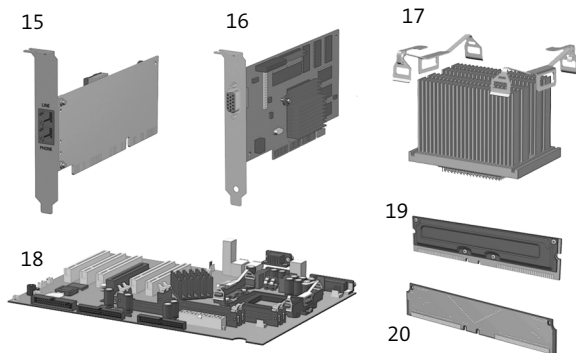
*Not shown.

†Deskpro Workstation 300 only.

Cables

| | | |
|----|---|------------|
| 10 | Diskette drive cable, 18" | 221186-001 |
| | Cable Kit, includes: | 166879-002 |
| * | Diskette drive cable with twist, 11", with pull tab, center polarization (143218-001) | |
| 11 | 40-position IDE data cable, 12.5" (105876-001) | |
| 12 | IDE Ultra ATA dual device, hard drive/CD-ROM cable, 18", with pull tab, (108950-015) | |
| * | Dual-LED power cable (1 ea.) (387727-001) | |
| * | Switch mounting bracket (3 ea.) (166777-001) | |
| * | Diskette drive/tape cable, with twist, no key, 34" (356107-001) | |
| * | Diskette drive cable with twist, 11", without pull tab (387795-001) | |
| 13 | IDE Ultra ATA dual device, hard drive/CD-ROM cable, 14" | 170225-001 |
| * | IDE Ultra ATA, hard drive/CD-ROM cable, 18" | 225881-001 |
| 14 | Audio cable, 21" | 149806-001 |
| * | Audio CD cable | 387527-001 |
| * | 5-device LVD SCSI cable | 158277-001 |

*Not shown.

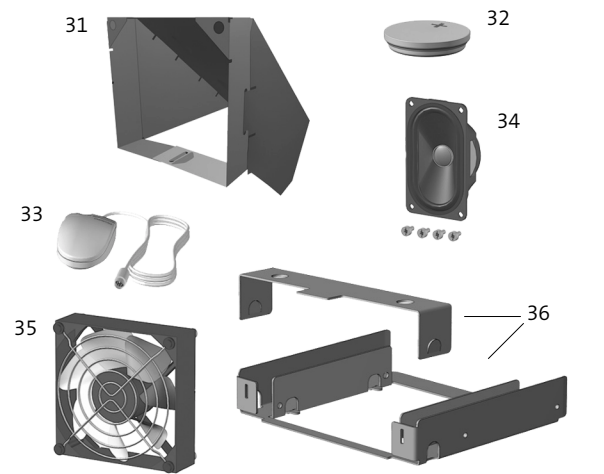


Standard and Optional Boards

| | | |
|----|---|------------|
| 15 | NIC, 10/100 PCI, Intel PRO/100+ | 116188-001 |
| * | NIC, 10/100 PCI, Intel PRO/100+, IPSEC † | 215774-001 |
| * | NIC, 10/100 PCI, 3Com 3C905C-TX, AOL † | 118042-001 |
| 16 | Nvidia TNT2 Pro 16-MB SDRAM AGP Controller † | 179997-001 |
| * | Nvidia Synergy II, 32-MB AGP Controller † | 146140-001 |
| * | Elsa GLoria II, 64-MB Graphics Controller † | 174641-001 |
| * | Matrox G450, AGP Graphics Controller † | 203626-001 |
| * | Nvidia Synergy III, 32-MB Graphics Card† | 221492-001 |
| * | Ultra3, PCI/SCSI Adapter Card† | 158364-001 |
| 17 | Heatsink with clip | 225354-001 |
| * | Processor, Intel P4, 1.4GHz/400MHz | 221184-001 |
| * | Processor, Intel P4, 1.5GHz/400MHz | 221185-001 |
| 18 | System board | 221183-001 |
| | Memory Modules (RIMM, 800MHz) | |
| 19 | 64 MB | 157108-001 |
| * | 128 MB † | 157112-001 |
| * | 256 MB † | 161454-001 |
| 20 | CRIMM | 158265-001 |
| * | Modem, 56K, Controller-Based, PCI | 157071-B21 |
| * | Modem, 56K (Deskpro EXS only) | 146803-001 |
| * | Modem, V.90, International (Deskpro EXS only) | 166358-002 |

*Not shown.

†Deskpro Workstation 300 only.



Miscellaneous Plastics Kits

| | | |
|----|--|------------|
| | Miscellaneous Plastics Kit, includes: | 166878-001 |
| 21 | Panel, sub (166835-001) | |
| 22 | Bezel, blank (166775-001) | |
| 23 | Diskette bezel (166776-001) | |
| 24 | Card guide (166778-001) | |
| 25 | Foot, rubber (4 ea.) (166939-002) | |
| 26 | Button, power (166774-001) | |
| 27 | Drivelock, DT (166779-001) | |
| 28 | Spring, power button (166837-001) | |
| 29 | Springs, drivelock (2 ea.) (166837-002) | |
| 30 | Drivelock, MT (166780-001) | |
| * | Retention mechanism (2 ea.) (350767-001) | |
| | Miscellaneous Plastics Kit, includes: | 400549-001 |
| * | Holder switch (166877-001) | |
| 24 | Card guide (166778-001) | |
| 25 | Foot, rubber (4 ea.) (166939-002) | |

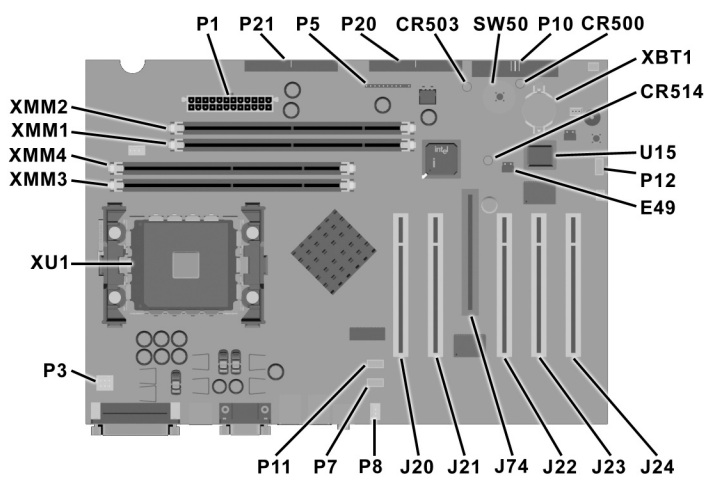
*Not shown

Miscellaneous Parts

| | | |
|----|-------------------------|------------|
| 31 | Air baffle | 224205-001 |
| 32 | Battery | 153099-001 |
| 33 | Mouse, scroll, opal | 334689-001 |
| * | Mouse, 3-button, opal † | 327716-001 |
| 34 | Speaker, 40mm x 70mm | 180809-001 |
| 35 | Fan, 92mm | 158275-001 |
| 36 | Drive adapter, 3.5-inch | 180808-001 |
| * | Return kit | 207742-001 |

*Not shown.

†Deskpro Workstation 300 only.



Connectors and Jumpers

| | | | |
|--------|--|--------|-------------------------------|
| CR500 | P/S ON, 5V Aux LED | P7 | CD-In Connector |
| CR503 | Power Button LED | P8 | Chassis Fan Connector |
| CR514 | 3.3V Aux LED | P10 | Diskette Drive Connector |
| E49 | Clear Password Header (Installed = Enabled, Removed = Cleared) | P11 | Second Audio Connector |
| SW50 | Clear CMOS | P12 | SOS Connector (3Com NIC only) |
| P1 | Power Supply Connector | P20 | Primary IDE Connector |
| P3 | Microprocessor Power-In Connector | P21 | Secondary IDE Connector |
| P5 | Power Button / HDD LED / Power-On LED Header | J20-24 | PCI Slots 1-5 (J24=Slot 5) |
| XBT1 | Battery Retainer | J74 | AGP Slot |
| XMM3&4 | RIMM Slot 3&4, Channel B | U15 | System ROM |
| | | XU1 | Primary Processor Socket |
| | | XMM1&2 | RIMM Slot 1&2, Channel A |

System Interrupts (IRQ)

| IRQ | System Function | IRQ | System Function |
|-----|------------------------------|-----|--------------------------|
| 0 | Timer Interrupt | 8 | Real-Time Clock |
| 1 | Keyboard | 9 | Available for PCI |
| 2 | Interrupt Controller Cascade | 10 | Available for PCI |
| 3 | Serial Port (COM B) | 11 | PCI Steering Input |
| 4 | Serial Port (COM A) | 12 | Mouse |
| 5 | Available for PCI | 13 | Coprocessor |
| 6 | Diskette Drive | 14 | Primary IDE Controller |
| 7 | Parallel Port (LPT 1) | 15 | Secondary IDE Controller |

System DMA

| Hardware DMA | System Function |
|--------------|---|
| 0 | Unused |
| 1 | Unused |
| 2 | Diskette Drive |
| 3 | ECP Parallel Port LPT1 (Default; Alternate = DMA 0) |
| 4 | DMA Controller Cascading |
| 5 | Unused |
| 6 | Unused |
| 7 | Unused |

System Memory Map

| Size | Memory Address | System Function |
|---------|--------------------------|------------------------------|
| 512 KB | FFFFFFFh to FFF80000 | System ROM |
| 2030 MB | FEDFFFFFFh to 80000000h | PCI Memory Expansion |
| 2047 MB | 7FFFFFFFh to 00100000h | HOST or PCI Memory Expansion |
| 128KB | 000FFFFFFh to 000E0000h | System ROM |
| 128 KB | 000DFFFFFFh to 000C0000h | PCI Option ROMs |
| 128 KB | 000BFFFFFFh to 000A0000h | Video RAM |
| 640 KB | 0009FFFFFFh to 00000000h | Base Memory |

Clearing CMOS

The computer's configuration (CMOS) may occasionally be corrupted. If it does, it is necessary to clear the CMOS memory using push button switch SW50. This will reset CMOS values to factory defaults and will erase any customized information including passwords, asset numbers, and special settings.

To clear and reset the configuration, perform the following procedure:

1. Prepare the computer for disassembly.



CAUTION: The power cord must be disconnected from the power source before pushing the Clear CMOS Button (NOTE: All LEDs on the board should be OFF). Failure to do so may damage the system board.

2. Remove the access panel.
3. Press the CMOS button located on the system board and keep it depressed for 5 seconds.
4. Replace the access panel and turn the computer on.
5. Run F10 Computer Setup to reconfigure the system.

Disabling or Clearing the Power-On and Set-up Passwords

1. Turn off the computer and any external devices, and disconnect the power cord from the power outlet.
2. Remove the access panel.
3. Locate the header and jumper labeled E49.
4. Remove the jumper from pins 1 and 2. Place the jumper over pin 2 only, in order to avoid losing it.
5. Plug in the computer and turn on power. Allow the operating system to start. This clears the current passwords and disables the password features.
6. Re-enable the password features by repeating steps 1-3, and then replacing the jumper on pins 1 and 2.
7. Replace the access panel.

Refer to the Computer Setup (F10 Setup) instructions to establish new passwords.

CMOS Archive and Restore (Power Switch Override)

Each time the system starts, the system ROM saves a copy of NVRAM (including CMOS, passwords, and other system variables) in the flash ROM. Should the system become unstable, the last known good copy of NVRAM can be restored using a feature called "power button override." To restore NVRAM, do the following:

1. With the unit powered down, press and release the power button.
2. Immediately after pressing the power button (during POST), press and hold the power button until the unit powers down (about 4 seconds).

At the next startup, the ROM detects this "power button override" event and the backup copy of NVRAM is restored.

Because of this feature, users cannot power off the computer immediately after powering up. The video display must be active before the computer can be powered off.



CAUTION: Unplugging the power cord during POST can corrupt the splash screen. Flashing the ROM is required to restore the splash screen. The computer will continue to function even if the splash screen has been corrupted.

ICH Fixed I/O Registers

| Port | Register Name |
|---|--|
| 00h, 02h, 04h, 06h | Channel 0, 1, 2, 3 DMA Base & Current Address Register |
| C0h, C4h, C8h, CCh | Channel 4, 5, 6, 7 DMA Base & Current Address Register |
| 01h, 03h, 05h, 07h | Channel 0, 1, 2, 3 DMA Base & Current Count Register |
| C2h, C6h, Cah, CEh | Channel 4, 5, 6, 7 DMA Base & Current Count Register |
| 10h-1Fh | Aliased at 00h-0Fh |
| 20h | Master PIC ICW1 Init. Cmd Word 1 Register Master PIC OCW2 Op Ctrl Word 2 Register Master PIC OCW3 Op Ctrl Word 3 Register |
| 21h | Master PIC ICW2 Init. Cmd Word 1 Register Master PIC ICW3 Init. Cmd Word 1 Register Master PIC ICW4 Init. Cmd Word 1 Register Master PIC OCW1 Op Ctrl Word 3 Register |
| 24h-25h, 28-29h, 2Ch-2Dh, 30h-31h, 34h-35h, 38h-39h, 3Ch-3Dh | Aliased at 20h-21h |
| 40h | Counter 0 Interval Time Status Byte Format Counter 0 Counter Access Port Register |
| 41h | Counter 1 Interval Time Status Byte Format Counter 1 Counter Access Port Register |
| 42h | Counter 2 Interval Time Status Byte Format Counter 2 Counter Access Port Register |
| 43h | Timer Control Word Register Timer Control Word Register Read Back Counter Latch Command |
| 50h-53h | Aliased at 40h-43h |
| 61h | NMI Status and Control Register |
| 70h | NMI Enable Register Real-Time Clock (Standard RAM) Index Register |
| 71h | Real-Time Clock (Standard RAM) Target Register |
| 72h | Extended RAM Index Register |
| 73h | Extended RAM Target Register |
| 74h-75h | Aliased at 70h-71h |
| 76h-77h | Aliased at 72h-73h or 70h-71h |
| 80h, 84h-86h, 88h | Reserved Page Registers |
| 81h, 82h, 83h | Channel 2, 3, 1 DMA Memory Low Page Register |
| 89h, 8Ah, 8Bh | Channel 6, 7, 5 DMA Memory Low Page Register |
| 8Ch-8Eh | Reserved Page Registers |
| 8Fh | Refresh Low Page Register |
| 91h-9Fh (except 92h) | Aliased at 81h-8Fh |
| 92h | Fast A20 and INIT Register |
| A0h | Slave PIC ICW1 Init. Cmd Word 1 Register Slave PIC OCW2 Op Ctrl Word 2 Register Slave PIC OCW3 Op Ctrl Word 3 Register |
| A1 | Slave PIC ICW2 Init. Cmd Word 2 Register Slave PIC ICW3 Init. Cmd Word 3 Register Slave PIC ICW4 Init. Cmd Word 4 Register Slave PIC OCW1 Op Ctrl Word 1 Register |
| A4h-A5h, A8h-A8h, ACh-ADh, B0h-B1h, B4h-B5h, B8h-B9h, BCh-BDh | Aliased at A0h-A1h |
| B2h | Advanced Power Management Control Port Register |
| B3h | Advanced Power Management Status Port Register |
| C0h, C4h, C8h, CCh | Channel 4, 5, 6, 7 DMA Base and Current Address Register |
| C1h | Aliased at C0h |
| C5h | Aliased at C4h |
| C9h | Aliased at C8h |
| CDh | Aliased at CCh |
| C2h, C6h, CAh, CEh | Channel 4, 5, 6, 7 DMA Base and Current Count Register |
| C3h | Aliased at C2h |
| C7h | Aliased at C6h |
| CBh | Aliased at CAh |
| CFh | Aliased at Ceh |
| D0h | Channel 4-7 DMA Command Register Channel 4-7 DMA Status Register |
| D1h | Aliased at D0h |
| D4h | Channel 4-7 DMA Write Single Mask Register |
| D5h | Aliased at D4h |
| D6h | Channel 4-7 DMA Channel Mode Register |
| D7h | Aliased at D6h |
| D8h | Channel 4-7 DMA Clear Byte Pointer Register |
| D9h | Aliased at D8h |
| DAh | Channel 4-7 DMA Master Clear Register |
| DBh | Aliased at DAh |
| DCh | Channel 4-7 DMA Clear Mask Register |
| DEh | Aliased at DCh |
| DEh | Channel 4-7 DMA Write All Mask Register |
| DFh | Aliased at DEh |
| F0h | Coprocessor Error Register |
| 170h-177h | PIO Mode Command Block Offset for Secondary |
| 1F0h-1F7h | PIO Mode Command Block Offset for Primary Drive 376h PIO Mode Control Block Offset for Secondary Drive |
| 3F6h | PIO Mode Control Block Offset for Primary Drive |
| 4D0h | Master PIC Edge/Level Triggered Register |
| 4D1h | Slave PIC Edge/Level Triggered Register |
| 400-47F | Super I/O |
| CF9h | Reset Control Register |
| F800-F87F | Reserved (power management) |
| FA00-FA3F | Reserved (GPIO management) |
| FC00-FC0F | Reserved (SMBUS controller) |

NOTE: When the POS_DEC_EN bit is set, additional I/O ports get positively decoded by the ICH.