

Compaq Evo Deskpro D300 and D500 Convertible Minitower

Illustrated Parts Map



COMPAQ

© 2002 Compaq Information Technologies Group, L.P.

Compaq, the Compaq logo, and Evo are trademarks of Compaq Information Technologies Group, L.P.

Intel, Pentium, and Celeron are trademarks of Intel Corporation in the United States and other countries.

All other product names mentioned herein may be trademarks of their respective companies.

Compaq shall not be liable for technical or editorial errors or omissions contained herein. The information in this document is provided "as is" without warranty of any kind and is subject to change without notice. The warranties for Compaq products are set forth in the express limited warranty statements accompanying such products. Nothing herein should be construed as constituting an additional warranty.

April 2002

Document Part Number 265668-003

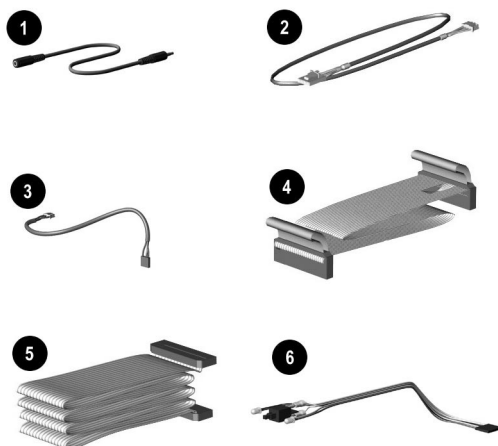


Spare Part Number 265817-001



Miscellaneous Plastics (not illustrated)

Diskette drive bezel, carbon	257403-001
Miscellaneous plastics kit, includes	257051-001
Switch holder (245154-001 (2 ea))	
Bezel blank (166775-002)	
Cable clip (172948-001)	
Logo plate (243831-001)	
Power switch spring (not for this product)	
LED holder (not for this product)	



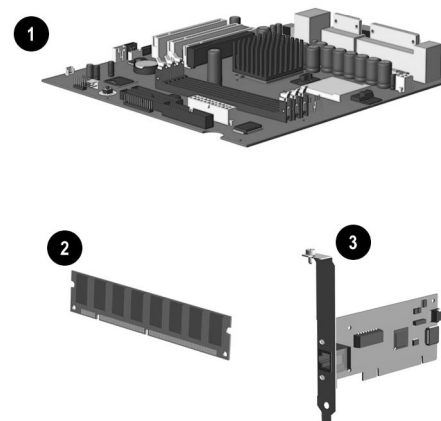
Cables

1	Audio, stereo extender cable, 100 mm (1 ea)	257081-001
2	Audio cable (245151-001) use with 252610-001	255439-001
3	USB cable (245152-001) use with 252610-001	255440-001
4	Diskette drive cable (143218-005)	257309-001
*	Solenoid cable (174311-001)	255438-001
*	IDE Ultra ATA dual device, hard drive/CD-ROM cable, 10" with pull tab, center polarization (108950-037)	257047-001
5	IDE Ultra ATA dual device, hard drive/CD-ROM cable, 14" (108950-038)	257048-001
6	Power switch/LED cable with switch and LEDs (174682-002)	257303-001
*	SCSI LED cable (225537-001)	247485-001
*	SCSI data cable (155825-001)	158277-001

*Not shown

Documentation and Packaging (not illustrated)

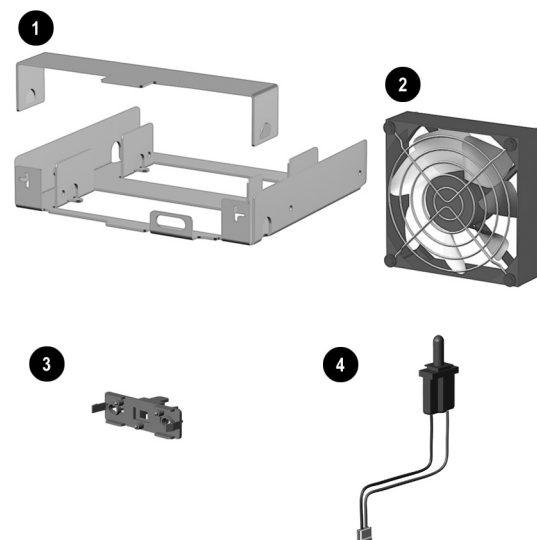
<i>Service Reference Guide</i>	259968-001
<i>Quick Troubleshooting Guide</i>	153837-001
<i>Illustrated Parts Map</i>	265817-001
Return kit	270020-001



Standard and Optional Boards

1	System board	252608-001
2	Memory module, 64 MB SDIMM	170080-001
*	Memory module, 128 MB SDIMM	170081-001
*	Memory module, 256 MB SDRAM	192014-001
*	Memory module, 512 MB SDRAM	254283-001
*	Front mounted Audio/USB board	252610-001
3	NIC, 3COM	253951-001
*	Modem, Lucent v90	239411-001
*	PCI Expansion card	252609-001
Pentium P4 Processor with alcohol pad		
*	1.5 GHz	252918-001
*	1.6 GHz	255434-001
*	1.7 GHz	252919-001
*	1.8 GHz	255435-001
*	1.9 GHz	255436-001
*	2.0 GHz	252920-001
Graphics Solutions		
*	nVIDIA GeForce 2 MX graphics card, 16 MB memory	253127-001
*	nVIDIA GeForce 2 MX graphics card, 32 MB memory	251291-001
*	Vanta 16 MB graphics card (ATX)	239920-001
*	Matrox G200 MMS PCI graphics card	191975-001
*	Matrox G450 graphics card	203636-001
*	U3 SCSI controller	158364-001

* Not shown



Miscellaneous Parts

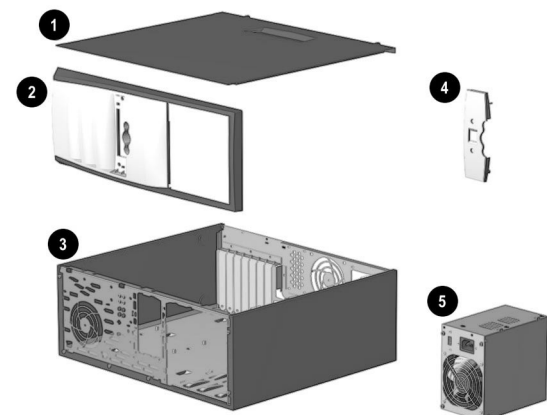
1	Diskette drive adapter	239063-001
2	Chassis fan assembly	257304-001
*	Mouse, carbon	237241-001
*	Heatsink with fan, retaining clip, thermal interface, and alcohol pad	254285-001
3	Power switch/LED holder	245154-001
4	Hood intrusion sensor	267529-001
*	Rubber foot (4 ea)	266050-001
*	Battery	153099-001
*	Solenoid, 2-coil	201485-001

*Not shown

Keyboards (not illustrated)

Internet	164996-xxx		
Basic Smart Card	240441-xxx		
Arabic	-171	International	**
Belgian	-181	Latin American Spanish	-161
Brazilian Portuguese	-201	Norwegian	-191
BHCSY*	-B41	Polish	**
Czech	-221	Portuguese	-131
Danish	-081	Russian	-251
Dutch/Netherlands	**	Slovakian	-231
Finnish	-351	Spanish	-071
French	-051	Swedish	-101
French-Canadian	-121	Swiss	-111
German	-041	Taiwanese	-AB1
Greek	-151	Thai	-281
Hungarian	-211	Turkish	-141
Italian	-061	United Kingdom	-031
Japanese	-191	U.S.	-001
Korean (Hangul)	-AD1		

*Bosnia-Herzegovina, Croatia, Slovenia, and Yugoslavia
**Use B31 for 240441-xxx, use -002 for 164996-xxx



System Unit

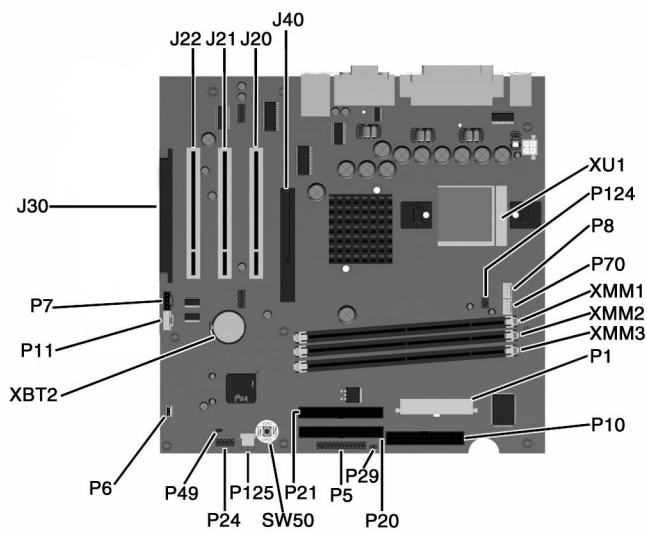
1	Access Panel	Not spared
2	Front bezel assembly, complete	257402-001
3	Chassis assembly (reference only)	Not spared
4	Front bezel I/O insert	254287-001
5	Power supply, PFC, dual voltage	244166-001

Mass Storage Devices (not illustrated)

20-GB, UATA, 100/7200 Quiet hard drive	180476-001
20-GB, UATA, 100/5400 Quiet hard drive	254451-001
40-GB UATA 100/ 7200 Quiet hard drive	202904-001
40-GB UATA 100/5400 Quiet hard drive	236921-001
60-GB, UATA 100/7200 hard drive	232022-001
36.2-GB U3 SCSI, 10 K hard drive	192197-001
Diskette drive, 3.5-inch, buttonless, carbon	237180-001
10/10/40X CD-RW drive, carbon	246691-001
48X CD-ROM drive, carbon	232320-001
16X DVD-ROM drive, carbon	232319-001
ZIP 250 drive, carbon	232317-001

Miscellaneous Screws (not illustrated)

Miscellaneous screw kit, includes:	257050-001
6-32 x 1/4 hi-top, thread forming with serrations (5 ea.) (192308-001)	
.197 dia x 17 TPI x 0.5 lg, Plastite flathead, Phillips (4 ea.) (247481-001)	
6-19 x 3/8 hi-top, plastite with captive washer (1 ea.) (114399-069) (not used this product)	
6-19 x 1/4 hi-top, plastite with captive washer (1 ea.) (114399-067)	
6-32 x 3/16 hi-top, thread forming with serrations (4 ea.) (192308-003)	
M3 x 5mm, hi-top, plastite with serrations (4 ea.) (247348-001)	
6-32 x 3/16 buttonhead tamper-resistant, taptite with serrations (1 ea.) (296769-002)	



System Board Connectors and Jumpers

J20-22	PCI slots	P21	Secondary IDE connector
J30	PCI Extension socket	P24	USB header
J40	AGP/AIMM connector	P29	SCSI LED connector
P1	Power supply connector	P49	Password jumper (Installed = Enabled, Removed = Cleared)
P5	Power button, Power LED, and HD LED connector	P70	CPU fan connector
P6	Speaker connector	P124	Hood lock solenoid connector
P7	CD-ROM audio connector	P125	Hood intrusion sensor
P8	Chassis fan connector	SW50	Clear CMOS button
P10	Diskette drive connector	XBT2	Battery
P11	Aux audio connector	XMM1-3	Memory sockets
P20	Primary IDE connector	XU1	Processor socket

System Hardware Interrupts

IRQ	System Function	IRQ	System Function
0	Timer Interrupt	8	Real-Time Clock
1	Keyboard	9	Available for PCI
2	Interrupt Controller Cascade	10	Available for PCI
3	Serial Port (COM B)	11	Available for PCI
4	Serial Port (COM A)	12	Mouse
5	Audio	13	Coprocessor
6	Diskette Drive	14	Primary ATA (IDE) controller
7	Parallel Port (LPT 1)	15	Secondary ATA (IDE) controller

Computer Diagnostic LEDs (on front of computer)

LED	Color	LED Activity	State/Message
Power	Green	On	(S0) Computer on
Power	Green	1 blink every 1 second	(S1) Normal Suspend Mode
Power	Green	1 blink every 2 seconds	(S3) Suspend to RAM
Power	Green	1 blink every 4 seconds	(S4) Suspend to Disk (if applicable)
Power	Clear	Off	(S5) Computer off
Power	Red	2 blinks 1 second apart, followed by 2-second pause - Repeat	CPU thermal shutdown
Power	Red	On	CPU not installed
Power	Red	1 blink every 1 second	ROM error
Power	Red	1 blink every 2 seconds	Power supply crow bar
Hard Drive	Green	Blinking	Hard drive activity

Keyboard Diagnostic LEDs

LED	Color	LED Activity	State/Message
Num Lock	Green	Flashing (Beeps - 1S, 2L)	Memory error
Caps Lock	Green	Flashing (Beeps - 1L, 2S)	No video
Scroll Lock	Green	Flashing (Beeps - 2L, 1S)	System board failure, prior to video
Num, Caps, Scroll Lock	Green	Flash On-Off 2 times (Beeps - 1L, 3S)	Invalid system ROM detected. ROM forces reflash.
Num, Caps, Scroll Lock	Green	On (Rising Tone)	ROM reflashed successfully
Num Lock	Green	On	ROMPaq diskette not present, is bad, or drive not ready.*
Caps Lock	Green	On	Enter password.
Num, Caps, Scroll Lock	Green	Blink On in sequence, one at a time - N, C, SL	Keyboard locked in network mode

* Insert valid ROMPaq diskette in drive A. Turn power switch off, then on to reflash ROM. If ROM flash is successful, all three keyboard LEDs will light up, and you will hear a rising tone series of beeps. Remove diskette and turn power off, then on to restart the computer. For more information about flashing the ROM, refer to the Troubleshooting guide.

System Board Diagnostic Lights¹

Main Power Switch Status	3.3 V_Aux LED	5 V_Aux/PSON LED	Power Button LED
OFF ²	ON	ON ⁴	OFF
ON ³	ON	OFF ⁵	ON

- ON and OFF state of LEDs apply only to a good, working system board with AC power applied to the power supply.
- Power LED on front of computer is OFF.
- Power LED on front of computer is ON (Green).
- 5V_Aux is ON.
- PSON is active = power supply is turned ON.

Clearing CMOS*

The computer's configuration (CMOS) may occasionally be corrupted. If it is, it is necessary to clear the CMOS memory using switch SW50.

To clear and reset the configuration, perform the following procedure:

- Prepare the computer for disassembly.

- CAUTION:** The power cord must be disconnected from the power source before pushing the Clear CMOS Button (NOTE: All LEDs on the board should be OFF). Failure to do so may damage the system board
- Remove the access panel.
- Press the CMOS button located on the system board and keep it depressed for 5 seconds.
- Replace the access panel.
- Turn the computer on and run F10 Computer Setup (delete-utility) to reconfigure the system.

*When the CMOS button is pushed or the jumper is removed, both the power-on password and the setup password become invalid because both are stored in the configuration memory. You will need to reset the passwords.

Disabling or Clearing the Power-On and Setup Passwords*

- Turn off the computer and any external devices, and disconnect the power cord from the power outlet.
- Remove the access panel.
- Locate the header and jumper labeled P49.
- Remove the jumper from pins 1 and 2. Place the jumper over pin 2 only, in order to avoid losing it.
- Replace the access panel.
- Plug in the computer and turn on power. Allow the operating system to start. (Placing the jumper on pin 2 clears the current passwords and disables the password features.)
- To re-enable the password features, repeat steps 1-3, then replace the jumper on pins 1 and 2.
- Repeat steps 5-6, then establish new passwords.

Refer to the Computer Setup (F10 Setup) instructions to establish new passwords.

*When the CMOS button is pushed or the jumper is removed, both the power-on password and the setup password become invalid because both are stored in the configuration memory. You will need to reset the passwords.

Computer Setup (F10) Utility Features (not all features may be available)

File	System Information About Set Time and date Save to Diskette Restore From Diskette Set defaults and Exit Ignore Changes and Exit Save Changes and Exit
Storage	Device Configuration Options IDE DPS Self-Test Controller Order SCSI Narrow Termination Boot Order
Security	Setup Password Power-On Password Password Options Smart Cover Smart Sensor DriveLock Master Boot Record Security Save Master Boot Record Restore Master Boot Record Device Security Network Service Boot System IDs
Power	Energy Saver Timeouts Energy Saver Options
Advanced	Power-On Options Onboard devices PCI Devices Bus Options Device Options PCI VGA Configuration

Note: See Computer Setup (F10) Utility Guide on the Documentation Library CD.