

REALTEK

ALC880/ALC880D

7.1 CHANNEL HIGH DEFINITION AUDIO CODEC

DATASHEET

Rev. 1.2

12 November 2004

Track ID: JATR-1076-21



REALTEK

Realtek Semiconductor Corp.

No. 2, Industry E. Rd. IX, Science-Based Industrial Park, Hsinchu 300, Taiwan

Tel: +886-3-5780211 Fax: +886-3-5776047

www.realtek.com.tw

COPYRIGHT

©2004 Realtek Semiconductor Corp. All rights reserved. No part of this document may be reproduced, transmitted, transcribed, stored in a retrieval system, or translated into any language in any form or by any means without the written permission of Realtek Semiconductor Corp.

DISCLAIMER

Realtek provides this document “as is”, without warranty of any kind, neither expressed nor implied, including, but not limited to, the particular purpose. Realtek may make improvements and/or changes in this document or in the product described in this document at any time. This document could include technical inaccuracies or typographical errors.

TRADEMARKS

Realtek is a trademark of Realtek Semiconductor Corporation. Other names mentioned in this document are trademarks/registered trademarks of their respective owners.

USING THIS DOCUMENT

This document is intended for the hardware and software engineer’s general information on the Realtek ALC880(D) Audio Codec chip.

Though every effort has been made to ensure that this document is current and accurate, more information may have become available subsequent to the production of this guide. In that event, please contact your Realtek representative for additional information that may help in the development process.

REVISION HISTORY

Revision	Release Date	Summary
1.0	2004/07/10	First release.
1.1	2004/08/30	Add Power-Off CD control pin assignment information (Pin 33)
1.2	2004/11/12	1. Power-Off CD mode not supported in ALC880-VH, ALC880D-VH, ALC880-VH-LF, ALC880D-VH-LF 2. Parameter ‘subsystem ID’ is read as 0s (Table 19, page 22) 3. Verb ‘subsystem verb’ is supported (Table 74, page 64, and Table 75, page 64)

Table of Contents

1. General Description	1
2. Features	2
2.1. HARDWARE FEATURES	2
2.2. SOFTWARE FEATURES	3
3. System Applications	3
4. Block Diagram	4
4.1. ANALOG INPUT/OUTPUT UNIT	4
5. Pin Assignments	5
6. Pin Descriptions	6
6.1. DIGITAL I/O PINS	6
6.2. ANALOG I/O PINS.....	6
6.3. FILTER/REFERENCE	7
6.4. POWER/GROUND	7
7. High Definition Audio Link Protocol	8
7.1. LINK SIGNALS	8
7.1.1. <i>Signal Definitions</i>	8
7.1.2. <i>Signaling Topology</i>	9
7.2. FRAME COMPOSITION.....	10
7.2.1. <i>Outbound Frame – Single SDO</i>	10
7.2.2. <i>Outbound Frame – Multiple SDOs</i>	12
7.2.3. <i>Inbound Frame – Single SDI</i>	13
7.2.4. <i>Inbound Frame – Multiple SDIs</i>	14
7.2.5. <i>Variable Sample Rates</i>	14
7.3. RESET AND INITIALIZATION.....	16
7.3.1. <i>Link Reset</i>	16
7.3.2. <i>Codec Reset</i>	18
7.3.3. <i>Codec Initialization Sequence</i>	18
7.4. VERB AND RESPONSE FORMAT.....	19

7.4.1.	Command Verb Format	19
7.4.2.	Response Format.....	19
7.5.	POWER MANAGEMENT	20
8.	Supported Verbs and Parameters.....	22
8.1.	VERB – GET PARAMETERS (VERB ID=F00H).....	22
8.1.1.	Parameter – Vendor ID (Verb ID=F00h, Parameter ID=00h).....	22
8.1.2.	Parameter – Subsystem ID (Verb ID=F00h, Parameter ID=01h).....	22
8.1.3.	Parameter – Revision ID (Verb ID=F00h, Parameter ID=02h).....	23
8.1.4.	Parameter – Subordinate Node Count (Verb ID=F00h, Parameter ID=04h).....	23
8.1.5.	Parameter – Function Group Type (Verb ID=F00h, Parameter ID=05h).....	24
8.1.6.	Parameter – Audio Function Capabilities (Verb ID=F00h, Parameter ID=08h).....	24
8.1.7.	Parameter – Audio Widget Capabilities (Verb ID=F00h, Parameter ID=09h).....	24
8.1.8.	Parameter – Supported PCM Size, Rates (Verb ID=F00h, Parameter ID=0Ah).....	25
8.1.9.	Parameter – Supported Stream Formats (Verb ID=F00h, Parameter ID=0Bh).....	27
8.1.10.	Parameter – Pin Capabilities (Verb ID=F00h, Parameter ID=0Ch).....	27
8.1.11.	Parameter – Amplifier Capabilities (Verb ID=F00h, Input Amplifier Parameter ID=0Dh).....	28
8.1.12.	Parameter – Amplifier Capabilities (Verb ID=F00h, Output Amplifier Parameter ID=12h).....	29
8.1.13.	Parameter – Connect List Length (Verb ID=F00h, Parameter ID=0Eh).....	29
8.1.14.	Parameter – Supported Power States (Verb ID=F00h, Parameter ID=0Fh).....	30
8.1.15.	Parameter – Processing Capabilities (Verb ID=F00h, Parameter ID=10h).....	30
8.1.16.	Parameter – GPIO Capabilities (Verb ID=F00h, Parameter ID=11h).....	30
8.1.17.	Parameter – Volume Knob Capabilities (Verb ID=F00h, Parameter ID=13h).....	31
8.2.	VERB – GET CONNECTION SELECT CONTROL (VERB ID=F01H).....	31
8.3.	VERB – SET CONNECTION SELECT (VERB ID=701H).....	33
8.4.	VERB – GET CONNECTION LIST ENTRY (VERB ID=F02H).....	34
8.5.	VERB – GET PROCESSING STATE (VERB ID=F03H).....	40
8.6.	VERB – SET PROCESSING STATE (VERB ID=703H).....	40
8.7.	VERB – GET COEFFICIENT INDEX (VERB ID=DH).....	41
8.8.	VERB – SET COEFFICIENT INDEX (VERB ID=5H).....	41
8.9.	VERB – GET PROCESSING COEFFICIENT (VERB ID=CH).....	41
8.10.	VERB – SET PROCESSING COEFFICIENT (VERB ID=4H).....	42
8.11.	VERB – GET AMPLIFIER GAIN (VERB ID=BH).....	42
8.12.	VERB – SET AMPLIFIER GAIN (VERB ID=3H).....	44
8.13.	VERB – GET CONVERTER FORMAT (VERB ID=AH).....	45
8.14.	VERB – SET CONVERTER FORMAT (VERB ID=2H).....	46

8.15. VERB – GET POWER STATE (VERB ID=F05H).....	47
8.16. VERB – SET POWER STATE (VERB ID=705H).....	48
8.17. VERB – GET CONVERTER STREAM, CHANNEL (VERB ID=F06H).....	48
8.18. VERB – SET CONVERTER STREAM, CHANNEL (VERB ID=706H).....	49
8.19. VERB – GET PIN WIDGET CONTROL (VERB ID=F07H).....	49
8.20. VERB – SET PIN WIDGET CONTROL (VERB ID=707H).....	50
8.21. VERB – GET UNSOLICITED RESPONSE CONTROL (VERB ID=F08H).....	51
8.22. VERB – SET UNSOLICITED RESPONSE CONTROL (VERB ID=708H).....	52
8.23. VERB – GET PIN SENSE (VERB ID=F09H).....	52
8.24. VERB – EXECUTE PIN SENSE (VERB ID=709H).....	53
8.25. VERB – GET CONFIGURATION DEFAULT (VERB ID=F1CH).....	53
8.26. VERB – SET CONFIGURATION DEFAULT BYTES 0, 1, 2, 3 (VERB ID=71CH/71DH/71EH/71FH FOR BYTES 0, 1, 2, 3).....	54
8.27. VERB – GET BEEP GENERATOR (VERB ID=F0AH).....	54
8.28. VERB – SET BEEP GENERATOR (VERB ID=70AH).....	55
8.29. VERB – GET GPIO DATA (VERB ID= F15H).....	55
8.30. VERB – SET GPIO DATA (VERB ID= 715H).....	56
8.31. VERB – GET GPIO ENABLE MASK (VERB ID=F16H).....	56
8.32. VERB – SET GPIO ENABLE MASK (VERB ID=716H).....	57
8.33. VERB – GET GPIO DIRECTION (VERB ID=F17H).....	57
8.34. VERB – SET GPIO DIRECTION (VERB ID=717H).....	58
8.35. VERB – GET GPIO UNSOLICITED RESPONSE ENABLE MASK (VERB ID=F19H).....	58
8.36. VERB – SET GPIO UNSOLICITED RESPONSE ENABLE MASK (VERB ID=719H).....	59
8.37. VERB – FUNCTION RESET (VERB ID=7FFH).....	59
8.38. VERB – GET DIGITAL CONVERTER CONTROL 1 & CONTROL 2 (VERB ID= F0DH, F0EH).....	60
8.39. VERB – SET DIGITAL CONVERTER CONTROL 1 & CONTROL 2 (VERB ID=70DH, 70EH).....	61
8.40. GET/SET VOLUME KNOB WIDGET (NID=21H) (VERB ID= F0FH/70FH).....	63
8.41. VERB – GET SUBSYSTEM ID [31:0] (VERB ID=F20H/F21H/D22H/F23H).....	64
8.42. VERB – SET SUBSYSTEM ID [31:0] (VERB ID=723H, 722H, 721H, 720H).....	64
9. Electrical Characteristics	65
9.1. DC CHARACTERISTICS	65
9.1.1. Absolute Maximum Ratings.....	65
9.1.2. Threshold Voltage.....	65
9.1.3. Digital Filter Characteristics.....	66
9.1.4. S/PDIF Input/Output Characteristics.....	66

9.2.	AC CHARACTERISTIC	67
9.2.1.	Link Reset and Initialization Timing.....	67
9.2.2.	Link Timing Parameters at the Codec	68
9.2.3.	S/PDIF Output and Input Timing	69
9.2.4.	Test Mode.....	69
9.3.	ANALOG PERFORMANCE	70
10.	System Connection & Application Circuit.....	71
10.1.	POSSIBLE SYSTEM CONNECTION	71
10.1.1.	Desktop Configuration	71
10.1.2.	Mobile Configuration.....	72
10.2.	APPLICATION CIRCUITS	73
10.2.1.	High Definition Audio Codec Circuits.....	73
10.2.2.	Compatible Circuits for HDA Codec and AC'97 Codec	76
11.	Mechanical Dimensions	81
11.1.	MECHANICAL DIMENSIONS NOTES.....	82
12.	Ordering Information	82

List of Tables

Table 1.	Digital I/O Pins	6
Table 2.	Analog I/O Pins	6
Table 3.	Filter/Reference	7
Table 4.	Power/Ground.....	7
Table 5.	Link Signal Definitions	8
Table 6.	HDA Signal Definitions.....	9
Table 7.	Defined Sample Rate and Transmission Rate.....	15
Table 8.	48kHz Variable Rate of Delivery Timing	15
Table 9.	44.1kHz Variable Rate of Delivery Timing	15
Table 10.	40-Bit Commands in 4-Bit Verb Format	19
Table 11.	40-Bit Commands in 12-Bit Verb Format	19
Table 12.	Solicited Response Format.....	19
Table 13.	Unsolicited Response Format.....	19
Table 14.	System Power State Definitions	20
Table 15.	Power Controls in NID is 01h, 02h~05h, 07h~09h.....	20
Table 16.	Powered Down Conditions.....	21
Table 17.	Verb – Get Parameters (Verb ID=F00h).....	22
Table 18.	Parameter – Vendor ID (Verb ID=F00h, Parameter ID=00h)	22
Table 19.	Parameter – Subsystem ID (Verb ID=F00h, Parameter ID=01h).....	22
Table 20.	Parameter – Revision ID (Verb ID=F00h, Parameter ID=02h).....	23
Table 21.	Parameter – Subordinate Node Count (Verb ID=F00h, Parameter ID=04h)	23
Table 22.	Parameter – Function Group Type (Verb ID=F00h, Parameter ID=05h).....	24
Table 23.	Parameter – Audio Function Capabilities (Verb ID=F00h, Parameter ID=08h).....	24
Table 24.	Parameter – Audio Widget Capabilities (Verb ID=F00h, Parameter ID=09h).....	24
Table 25.	Parameter – Supported PCM Size, Rates (Verb ID=F00h, Parameter ID=0Ah).....	25
Table 26.	Parameter – Supported Stream Formats (Verb ID=F00h, Parameter ID=0Bh).....	27
Table 27.	Parameter – Pin Capabilities (Verb ID=F00h, Parameter ID=0Ch)	27
Table 28.	Parameter – Amplifier Capabilities (Verb ID=F00h, Input Amplifier Parameter ID=0Dh).....	28
Table 29.	Parameter – Amplifier Capabilities (Verb ID=F00h, Output Amplifier Parameter ID=12h).....	29
Table 30.	Parameter – Connect List Length (Verb ID=F00h, Parameter ID=0Eh).....	29
Table 31.	Parameter – Supported Power States (Verb ID=F00h, Parameter ID=0Fh).....	30
Table 32.	Parameter – Processing Capabilities (Verb ID=F00h, Parameter ID=10h).....	30
Table 33.	Parameter – GPIO Capabilities (Verb ID=F00h, Parameter ID=11h).....	30

Table 34.	Parameter – Volume Knob Capabilities (Verb ID=F00h, Parameter ID=13h).....	31
Table 35.	Verb – Get Connection Select Control (Verb ID=F01h)	31
Table 36.	Verb – Set Connection Select (Verb ID=701h)	33
Table 37.	Verb – Get Connection List Entry (Verb ID=F02h)	34
Table 38.	Verb – Get Processing State (Verb ID=F03h)	40
Table 39.	Verb – Set Processing State (Verb ID=703h)	40
Table 40.	Verb – Get Coefficient Index (Verb ID=Dh).....	41
Table 41.	Verb – Set Coefficient Index (Verb ID=5h).....	41
Table 42.	Verb – Get Processing Coefficient (Verb ID=Ch).....	41
Table 43.	Verb – Set Processing Coefficient (Verb ID=4h)	42
Table 44.	Verb – Get Amplifier Gain (Verb ID=Bh).....	42
Table 45.	Verb – Set Amplifier Gain (Verb ID=3h)	44
Table 46.	Verb – Get Converter Format (Verb ID=Ah).....	45
Table 47.	Verb – Set Converter Format (Verb ID=2h)	46
Table 48.	Verb – Get Power State (Verb ID=F05h).....	47
Table 49.	Verb – Set Power State (Verb ID=705h)	48
Table 50.	Verb – Get Converter Stream, Channel (Verb ID=F06h)	48
Table 51.	Verb – Set Converter Stream, Channel (Verb ID=706h).....	49
Table 52.	Verb – Get Pin Widget Control (Verb ID=F07h).....	49
Table 53.	Verb – Set Pin Widget Control (Verb ID=707h).....	50
Table 54.	Verb – Get Unsolicited Response Control (Verb ID=F08h).....	51
Table 55.	Verb – Set Unsolicited Response Control (Verb ID=708h).....	52
Table 56.	Verb – Get Pin Sense (Verb ID=F09h)	52
Table 57.	Verb – Execute Pin Sense (Verb ID=709h)	53
Table 58.	Verb – Get Configuration Default (Verb ID=F1Ch).....	53
Table 59.	Verb – Set Configuration Default Bytes 0, 1, 2, 3 (Verb ID=71Ch/71Dh/71Eh/71Fh for Bytes 0, 1, 2, 3)	54
Table 60.	Verb – Get BEEP Generator (Verb ID= F0Ah)	54
Table 61.	Verb – Set BEEP Generator (Verb ID= 70Ah)	55
Table 62.	Verb – Get GPIO Data (Verb ID= F15h).....	55
Table 63.	Verb – Set GPIO Data (Verb ID= 715h).....	56
Table 64.	Verb – Get GPIO Enable Mask (Verb ID= F16h)	56
Table 65.	Verb – Set GPIO Enable Mask (Verb ID=716h)	57
Table 66.	Verb – Get GPIO Direction (Verb ID=F17h)	57
Table 67.	Verb – Set GPIO Direction (Verb ID=717h)	58

Table 68.	Verb – Get GPIO Unsolicited Response Enable Mask (Verb ID=F19h).....	58
Table 69.	Verb – Set GPIO Unsolicited Response Enable Mask (Verb ID=719h).....	59
Table 70.	Verb – Function Reset (Verb ID=7FFh)	59
Table 71.	Verb – Get Digital Converter Control 1 & Control 2 (Verb ID= F0Dh, F0Eh).....	60
Table 72.	Verb – Set Digital Converter Control 1 & Control 2 (Verb ID=70Dh, 70Eh).....	61
Table 73.	Get/Set Volume Knob Widget (NID=21h) (Verb ID= F0Fh/70Fh).....	63
Table 74.	Verb – Get Subsystem ID [31:0] (Verb ID=F20h/F21h/F22h/F23h)	64
Table 75.	Verb – Set Subsystem ID [31:0] (Verb ID=723h for [31:24], 722h for [23:16], 721h for [15:8], 720h for [7:0]).....	64
Table 76.	Absolute Maximum Ratings.....	65
Table 77.	Threshold Voltage.....	65
Table 78.	Digital Filter Characteristics	66
Table 79.	S/PDIF Input/Output Characteristics.....	66
Table 80.	Link Reset and Initialization Timing.....	67
Table 81.	Link Timing Parameters at the Codec	68
Table 82.	S/PDIF Output and Input Timing	69
Table 83.	Analog Performance.....	70
Table 84.	Ordering Information	82

List of Figures

Figure 1.	Block Diagram	4
Figure 2.	Analog Input/Output Unit	4
Figure 3.	Pin Assignments	5
Figure 4.	HDA Link Protocol	8
Figure 5.	Bit Timing	9
Figure 6.	Signaling Topology	10
Figure 7.	SDO Outbound Frame	11
Figure 8.	SDO Stream Tag is Indicated in SYNC	11
Figure 9.	Stripped Stream on Multiple SDO	12
Figure 10.	SDI Inbound Stream	13
Figure 11.	SDI Stream Tag and Data	13
Figure 12.	Codec Transmits Data Over Multiple SDI	14
Figure 13.	Link Reset Timing	17
Figure 14.	Codec Initialization Sequence	18
Figure 15.	Link Reset and Initialization Timing	67
Figure 16.	Link Signal Timing	68
Figure 17.	Input and Output Timing	69
Figure 18.	Desktop Configuration	71
Figure 19.	Mobile Configuration	72
Figure 20.	Filter Connection	73
Figure 21.	IO Connection	74
Figure 22.	Front Panel Header Connection	75
Figure 23.	System Block Diagram for ALC880(D) (HDA Audio) and ALC650/655/658/850 (AC'97)..	76
Figure 24.	Front Panel Schematic	77
Figure 25.	Analog IO	78
Figure 26.	Onboard Header and Front Panel IO	79
Figure 27.	Optional S/PDIF I/O	80

1. General Description

The ALC880 and ALC880D 7.1 Channel High Definition Audio codecs with UAA (Universal Audio Architecture), featuring four 24-bit two-channel DACs and three stereo 20-bit ADCs, are designed for high performance multimedia PC systems. The ALC880(D) incorporates proprietary converter technology to achieve 95dB sound quality; easily meeting PC2001 requirements and also bringing PC sound quality closer to consumer electronic devices.

The ALC880(D) provides 7.1 output channels, along with flexible mixing, mute, and fine gain control functions to provide a complete integrated audio solution for PCs. The DACs (with a highest sampling frequency of 192kHz) and Realtek proprietary hardware content protection are applicable for DVD-Audio, previously only implemented in high-end consumer electronics, but now achieved by PCs with the ALC880(D) inside. The ALC880(D) is also the only High Definition Audio codec to integrate three stereo ADCs that can support a microphone array with Acoustic Echo Cancellation (AEC), Beam Forming (BF), and Noise Suppression (NS) technology simultaneously, significantly improving recording quality for conference calls. With this unique feature (3 stereo ADCs), the ALC880(D) can provide high-quality audio using S/PDIF to output analog data, or for multiple-source recording applications.

Realtek's proprietary impedance sensing and jack detect techniques allow device loads on inputs and outputs to be auto-detected. All analog IO are input and output capable, and headphone amplifiers are also integrated at each analog output. All analog IOs can be re-tasked according to user's definitions, or automatically switched depending on the connected device type (Universal Audio Jack®).

The ALC880(D) supports 32-bit S/PDIF input and output functions and a sampling rate of up to 96kHz, offering easy connection of PCs to high quality consumer electronic products such as AC-3 decoders/speakers, and mini disk devices.

The ALC880(D) supports host/soft audio from the Intel ICH6 chipset, and also from any other HDA compatible audio controller. With EAX/Direct Sound 3D/I3DL2/A3D compatibility, and excellent software utilities like Karaoke mode, environment emulation, software equalizer, HRTF 3D positional audio, and optional Dolby® Digital Live, the ALC880(D) provides an excellent entertainment package and game experience for PC users.

2. Features

2.1. Hardware Features

- High-performance DACs with 95dB S/N ratio
- ADCs with S/N ratio greater than 85dB
- Meets performance requirements for audio on PC2001 systems
- 8 DAC channels support 16/20/24-bit PCM format for 7.1 audio solution
- 3 stereo ADCs support 16/20-bit PCM format, two for microphone array, one for legacy mixer recording
- Supports 44.1/48/96/192kHz DAC sample rate
- All ADCs support 44.1/48/96 kHz sample rate
- Applicable for 4-channel/192kHz and 6-channel/96kHz DVD-Audio solutions
- Up to four channels of microphone input are supported for AEC/BF application
- High-quality differential CD input
- Supports Power-Off CD function (ALC880/ALC880-LF & ALC880D/ALC880D-LF only)
- Supports external PCBEEP input and built-in BEEP generator
- PCBEEP Pass-Through when link is in RESET state (ALC880/ALC880-LF & ALC880D/ALC880D-LF only)
- Software selectable 2.5V/3.75V VREFOUT
- Six VREFOUTs are supported
- Two GPI (General Purpose Input) jack detection pins (each designed to detect 4 jacks)
- 16/20/24-bit S/PDIF-OUT supports 44.1/48/96kHz sample rate
- 16/20/24-bit S/PDIF-IN supports 44.1/48/96kHz sample rate
- Optional EAPD (External Amplifier Power Down) supported
- Power support: Digital: 3.3V; Analog: 3.3V/5.0V
- Power management and enhanced power saving features
- Compatible with AC'97
- 48-pin LQFP package (lead (Pb-free) package also available)
- Reserve analog mixer architecture for backward compatibility with AC'97
- -64dB ~ +30dB with 1dB resolution of mixer gain for finer volume control
- Impedance sensing capability for each re-tasking jack
- All analog jacks are stereo input and output re-tasking for analog plug & play
- Built-in headphone amplifier for each re-tasking jack
- Supports external volume knob control
- Supports 2 GPIOs (General Purpose Input/Output) for customized applications
- Hardware de-scrambling for DVD-Audio Content protection

2.2. Software Features

- Meets Microsoft WHQL/WLP 2.0 audio requirements
- EAX™ 1.0 & 2.0 compatible
- Direct Sound 3D™ compatible
- A3D™ compatible
- I3DL2 compatible
- HRTF 3D Positional Audio
- Emulation of 26 sound environments to enhance gaming experience
- 10 Software Equalizer Bands
- Voice Cancellation and Key Shifting in Karaoke mode
- Realtek Media Player
- Enhanced Configuration Panel and device sensing wizard to improve user experience
- Microphone Acoustic Echo Cancellation (AEC) and Beam Forming (BF) technology for voice application
- Mono/Stereo Microphone noise suppression
- ALC880D features Dolby® Digital Live output for consumer equipment

3. System Applications

- Multimedia PCs
- 3D PC Games
- Information Appliances (IA)
- Voice Recognition
- Audio Conferencing

4. Block Diagram

ALC880 - High Definition Audio (HDA) Codec

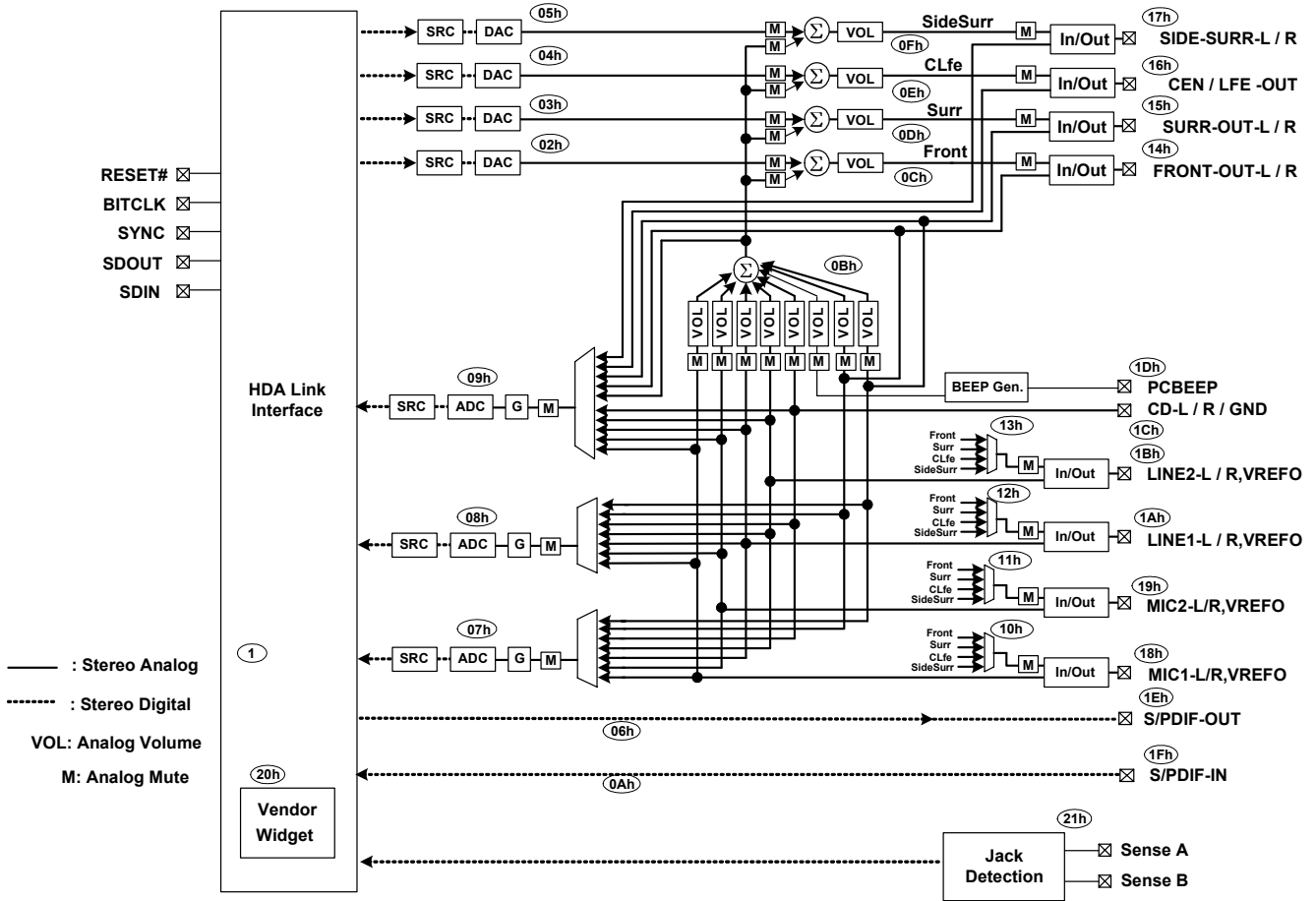


Figure 1. Block Diagram

4.1. Analog Input/Output Unit

Pin Complex widgets NID=14h~1Bh re-tasking IO.

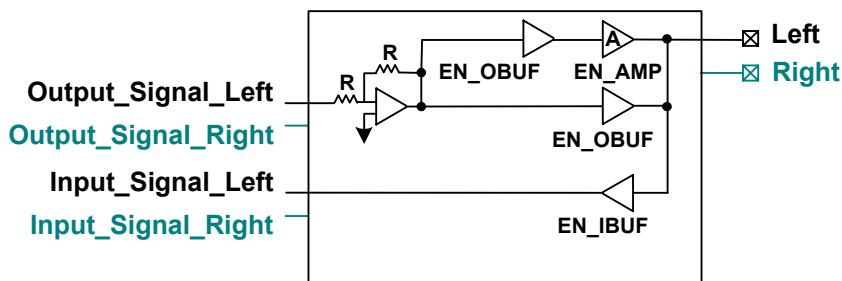


Figure 2. Analog Input/Output Unit

5. Pin Assignments

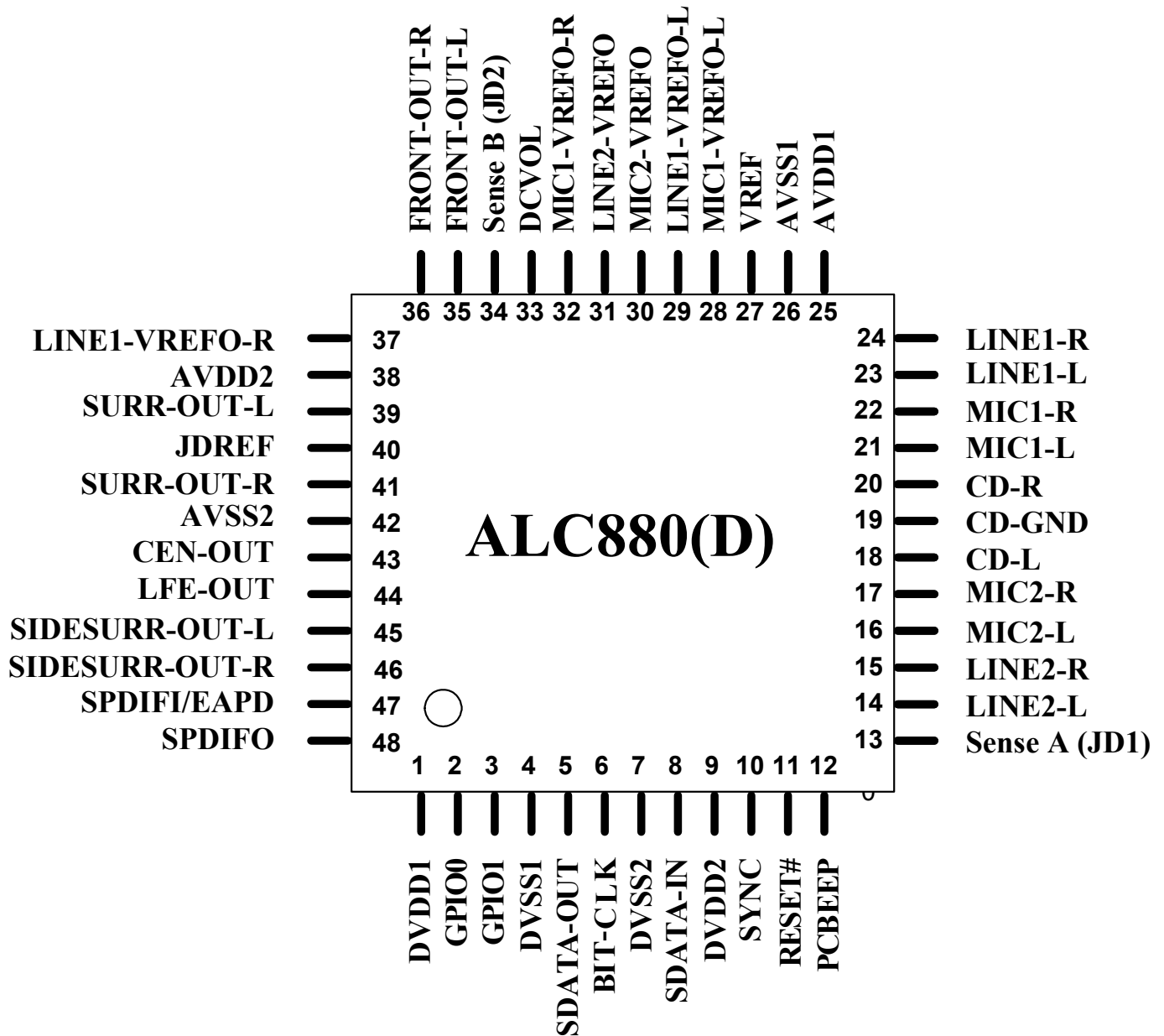


Figure 3. Pin Assignments

6. Pin Descriptions

6.1. Digital I/O Pins

Table 1. Digital I/O Pins

Name	Type	Pin No.	Description	Characteristic Definition
RESET#	I	11	H/W reset	Schmitt trigger input, $V_{IL}=1.0V$, $V_{IH}=2.0V$
SYNC	I	10	Sample Sync (48kHz)	Schmitt trigger input, $V_{IL}=1.0V$, $V_{IH}=2.0V$
BITCLK	I	6	24MHz Bit clock input	Schmitt trigger input, $V_{IL}=1.0V$, $V_{IH}=2.0V$
SDATA-OUT	I	5	Serial TDM data input	Schmitt trigger input, $V_{IL}=1.0V$, $V_{IH}=2.0V$
SDATA-IN	O	8	Serial TDM data output	Schmitt output, $V_{OH}=0.9*DVDD$, $V_{OL}=0.1*DVDD$
SPDIFI / EAPD	I/O	47	S/PDIF Input / Signal to power down ext. amp	Schmitt input ($V_{IL}=1.45V$, $V_{IH}=1.85V$) / TTL output
SPDIFO	O	48	S/PDIF output	TTL output has 12mA@75Ω driving capability
GPIO0	I/O	2	General Purpose Input/Output 0	Schmitt input/output, $V_{IL}=1.45V$, $V_{IH}=1.85V$
GPIO1	I/O	3	General Purpose Input/Output 1	Schmitt input/output, $V_{IL}=1.45V$, $V_{IH}=1.85V$
				Total: 9 Pins

6.2. Analog I/O Pins

Table 2. Analog I/O Pins

Name	Type	Pin No.	Description	Characteristic Definition
LINE2-L	IO	14	2 nd line input left channel	Analog input/output. Default is input (JACK -E)
LINE2-R	IO	15	2 nd line input right channel	Analog input/output. Default is input (JACK -E)
MIC2-L	IO	16	2 nd stereo microphone input left channel	Analog input/output. Default is input (JACK -F)
MIC2-R	IO	17	2 nd stereo microphone input right channel	Analog input/output. Default is input (JACK -F)
CD-L	I	18	CD input left channel	Analog input. 1.6Vrms of full scale input
CD-G	I	19	CD input reference ground	Analog input. 1.6Vrms of full scale input
CD-R	I	20	CD input right channel	Analog input. 1.6Vrms of full scale input
MIC1-L	IO	21	1 st stereo microphone input left channel	Analog input/output. Default is input (JACK -B)
MIC1-R	IO	22	1 st stereo microphone input right channel	Analog input/output. Default is input (JACK -B)
LINE1-L	IO	23	1 st line input left channel	Analog input/output. Default is input (JACK -C)
LINE1-R	IO	24	1 st line input right channel	Analog input/output. Default is input (JACK -C)
PCBEEP	I	12	External PCBEEP input	Analog input. 1.6Vrms of full scale input
FRONT- OUT-L	IO	35	Front output left channel	Analog output (JACK -D)
FRONT- OUT-R	IO	36	Front output right channel	Analog output (JACK -D)
SURR-OUT-L	IO	39	Surround out left channel	Analog output (JACK -A)
SURR-OUT-R	IO	41	Surround out right channel	Analog output (JACK -A)

Name	Type	Pin No.	Description	Characteristic Definition
CEN-OUT	O	43	Center output	Analog output (JACK -G)
LFE-OUT	O	44	Low Frequency output	Analog output (JACK -G)
SIDESURR-OUT-L	O	45	Side Surround output left channel	Analog output (JACK -H)
SIDESURR-OUT-R	O	46	Side Surround output right channel	Analog output (JACK -H)
Sense A	I	13	Jack Detect pin 1	Jack resistor network input 1
Sense B	I	34	Jack Detect pin 2	Jack resistor network input 2
DCVOL	I	33	DC sense for volume control	Analog DC input for external volume control
				Total: 23 Pins

6.3. Filter/Reference

Table 3. Filter/Reference

Name	Type	Pin No.	Description	Characteristic Definition
VREF	-	27	2.5V Reference voltage	10uf capacitor to analog ground
MIC1-VREFO-L	O	28	Bias voltage for MIC1 jack	2.5V/3.75Vreference voltage
LINE1-VREFO	O	29	Bias voltage for LINE1 jack	2.5V/3.75Vreference voltage
MIC2-VREFO	O	30	Bias voltage for MIC2 jack	2.5V/3.75Vreference voltage
LINE2-VREFO	O	31	Bias voltage for LINE2 jack	2.5V/3.75Vreference voltage
MIC1-VREFO-R	O	32	Bias voltage for MIC1 jack	2.5V/3.75Vreference voltage
LINE1-VREFO-L	O	37	Bias voltage for LINE1 jack	2.5V/3.75Vreference voltage
JDREF	-	40	Reference resistor for Jack detection	20K, 1% external resistor to analog ground
				Total: 8 Pins

6.4. Power/Ground

Table 4. Power/Ground

Name	Type	Pin No	Description	Characteristic Definition
AVDD1	I	25	Analog VDD (5V or 3.3V)	Analog power for mixer and amplifier
AVSS1	I	26	Analog GND	Analog ground for mixer and amplifier
AVDD2	I	38	Analog VDD (5V or 3.3V)	Analog power for DACs and ADCs
AVSS2	I	42	Analog GND	Analog ground for DACs and ADCs
DVDD1	I	1	Digital VDD (3.3V)	Digital power
DVSS1	I	4	Digital GND	Digital ground
DVDD2	I	9	Digital VDD (3.3V)	Digital power
DVSS2	I	7	Digital GND	Digital ground
				Total: 8 Pins

7. High Definition Audio Link Protocol

7.1. Link Signals

The High Definition Audio (HDA) Link is the digital serial interface that connects the HDA codecs to the HDA Controller. The HDA link protocol is controller synchronous, based on a 24.0MHz BIT-CLK sent by the HDA controller. The input and output streams, including command and PCM data, are isochronous with a 48kHz frame rate. Figure 4 shows the basic concept of the HDA link protocol.

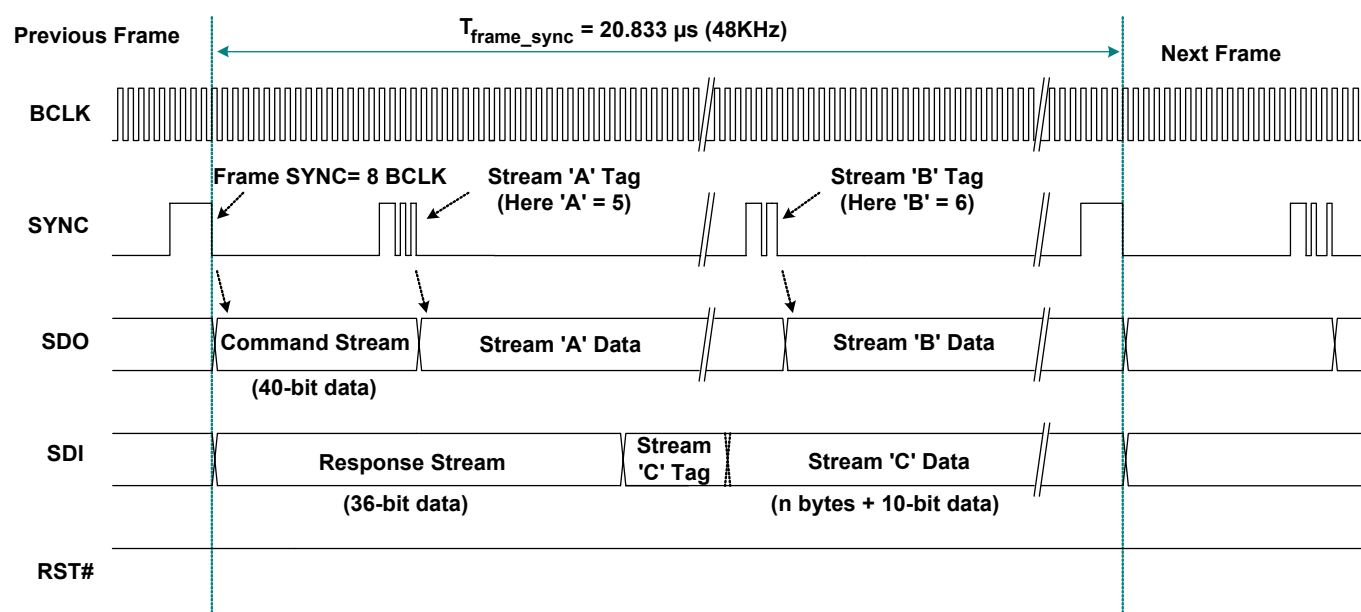


Figure 4. HDA Link Protocol

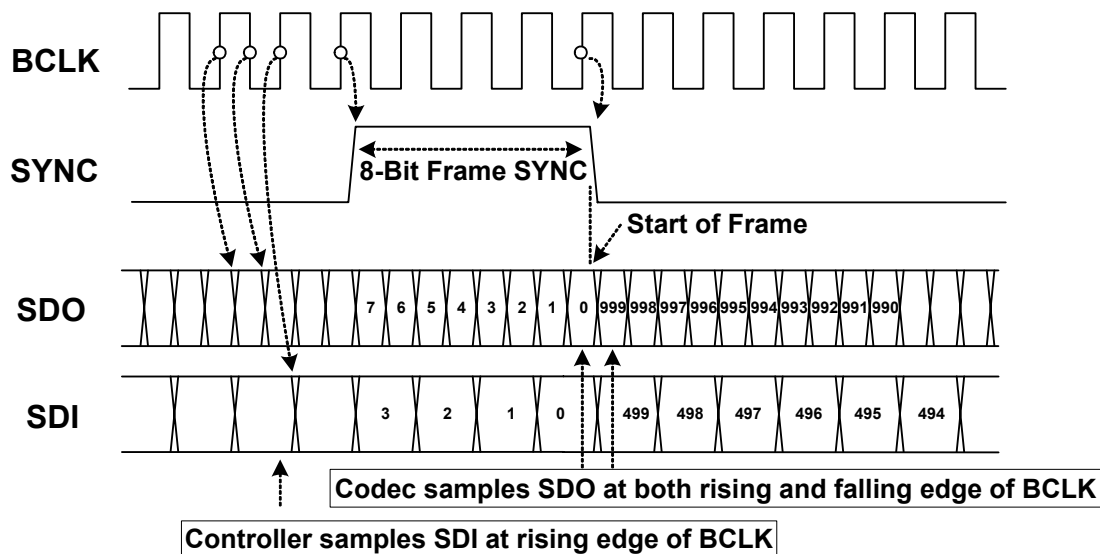
7.1.1. Signal Definitions

Table 5. Link Signal Definitions

Item	Description
BCLK	24.0MHz bit clock sourced from the HDA controller and connecting to all codecs.
SYNC	48kHz signal is used to synchronize input and output streams on the link. It is sourced from the HDA controller and connects to all codecs.
SDO	Serial Data Output signal driven by the HDA controller to all codecs. Commands and data streams are carried on SDO. The data rate is double-pumped; the controller drives data onto the SDO, the codec samples data present on SDO with respect to each edge of BCLK. The HDA controller must support at least one SDO. To extend outbound bandwidth, multiple SDOs may be supported.
SDI	Serial Data Input signal driven by the codec. This is point-to-point serial data from the codec to the HDA controller. The controller must support at least one SDI. Up to a maximum of 15 SDI's can be supported. SDI is driven by the codec at each rising edge of BCLK, and sampled by the controller at each rising edge of BCLK. SDI can be driven by the controller to initialize the codec's ID.
RST#	Active low reset signal. Asserted to reset the codec to default power-on state. RST# is sourced from the HDA controller and connects to all codecs.

Table 6. HDA Signal Definitions

Signal Name	Source	Type for Controller	Description
BCLK	Controller	Output	Global 24.0MHz bit clock.
SYNC	Controller	Output	Global 48kHz Frame Sync and outbound tag signal.
SDO	Controller	Output	Serial data output from controller.
SDI	Codec/Controller	Input/Output	Serial data input from codec. Weakly pulled down by the controller.
RST#	Controller	Output	Global active low reset signal.


Figure 5. Bit Timing

7.1.2. Signaling Topology

The HDA controller supports two SDOs for the outbound stream, up to 15 SDIs for the inbound stream. RST#, BCLK, SYNC, SDO0 and SDO1 are driven by the controller to codecs. Each codec drives its own point-to-point SDI signal(s) to the controller.

Figure 6, on page 10, shows the possible connections between the HDA controller and codecs:

- Codec 0 is a basic connection. There is one single SDO and one single SDI for normal transmission
- Codec 1 has two SDOs for doubled outbound rate, and a single SDI for normal inbound rate
- Codec 3 supports a single SDO for normal outbound rate, and two SDIs for doubled inbound rate
- Codec N has two SDOs and multiple SDIs

The multiple SDOs and multiple SDIs are used to expand the transmission rate between controller and codecs. Section 7.2 Frame Composition, page 10, describes the detailed outbound and inbound stream compositions for single and multiple SDOs/SDIs.

The connections shown in Figure 6 can be implemented concurrently in an HDA system. The ALC880(D) is designed to receive a single SDO stream.

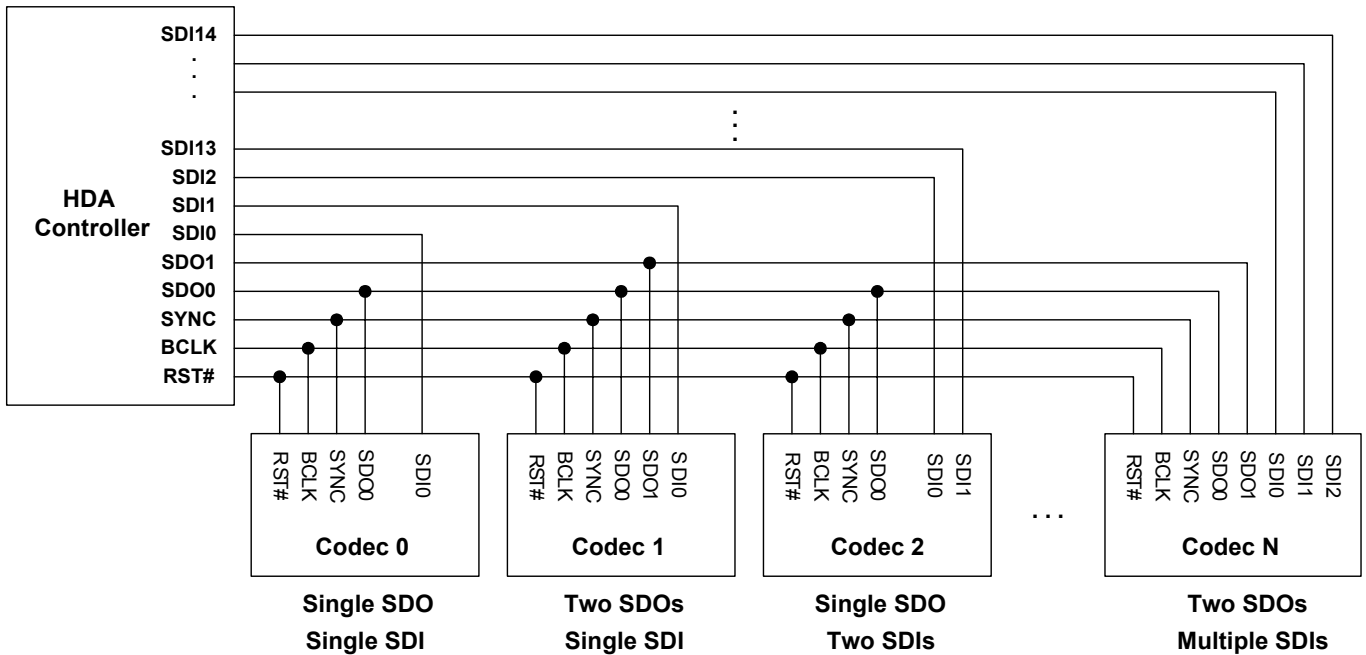


Figure 6. Signaling Topology

7.2. Frame Composition

7.2.1. Outbound Frame – Single SDO

An outbound frame is composed of one 32-bit command stream and multiple data streams. There are one or multiple sample blocks in a data stream. Only one sample block exists in a stream if the HDA controller delivers a 48kHz rate of samples to the codec. Multiple sample blocks in a stream means the sample rate is a multiple of 48kHz. This means there should be 2 blocks in the same stream to carry 96kHz samples (Figure 7).

For outbound frames, the stream tag is not in SDO, but in the SYNC signal. A new data stream is started at the end of the stream tag. The stream tag includes a 4-bit preamble and 4-bit stream ID (Figure 8).

To keep the cadence of converters bound to the same stream, samples for these converters must be placed in the same block.

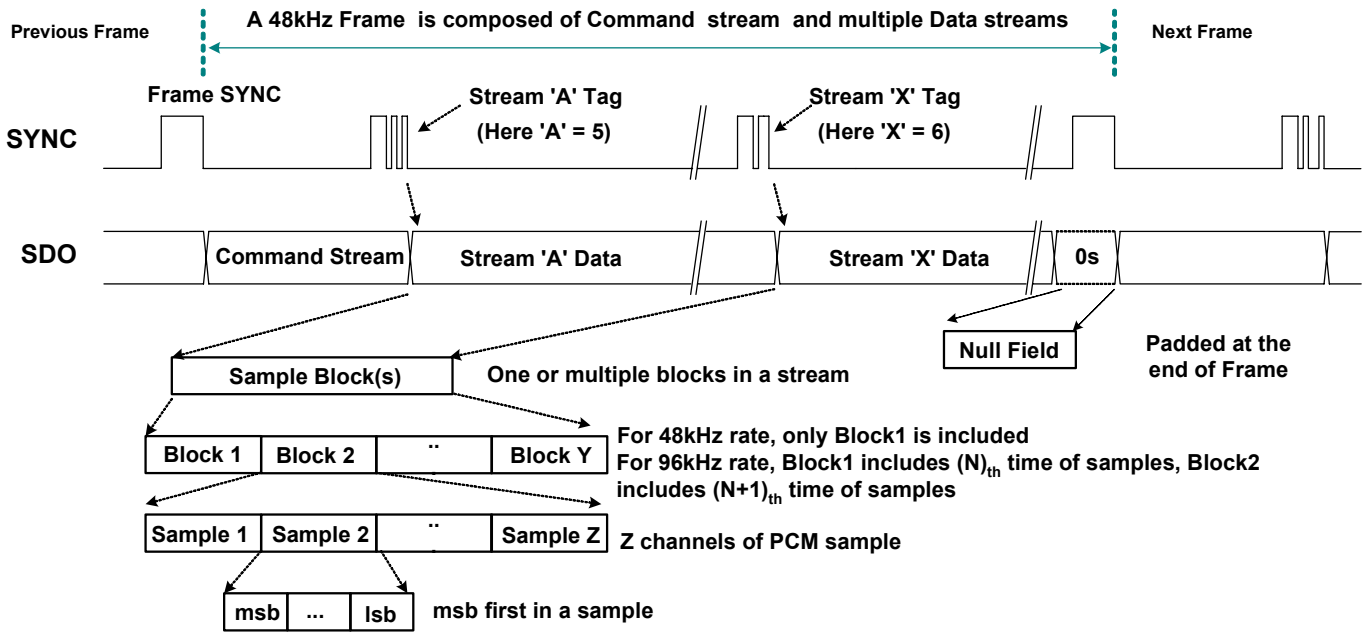


Figure 7. SDO Outbound Frame

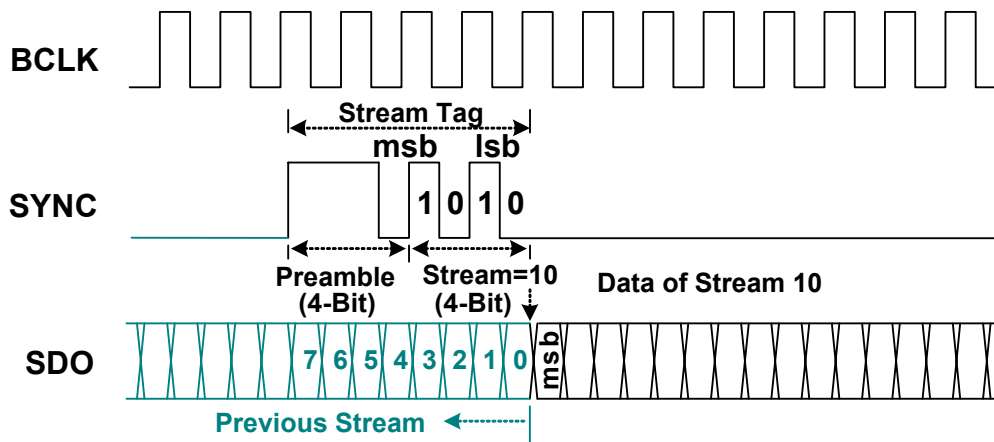


Figure 8. SDO Stream Tag is Indicated in SYNC

7.2.2. Outbound Frame – Multiple SDOs

The HDA controller allows two SDO signals to be used to strip outbound data, completing transmission in less time to get more bandwidth. If software determines that the target codec supports multiple SDO capability, it enables the ‘Strip Control’ bit in the controller’s Output Stream Control Register to initiate a specific stream (Stream ‘A’ in Figure 9) to be transmitted on multiple SDOs. In this case, the MSB of stream data is always carried on SDO0, the second bit on SDO1 and so forth.

SDO1 is for transmitting a stripped stream. The codec doesn’t support multiple SDOs connected to SDO0.

To guarantee all codecs can determine their corresponding stream, the command stream is not stripped. It is always transmitted on SDO0, and copied on SDO1.

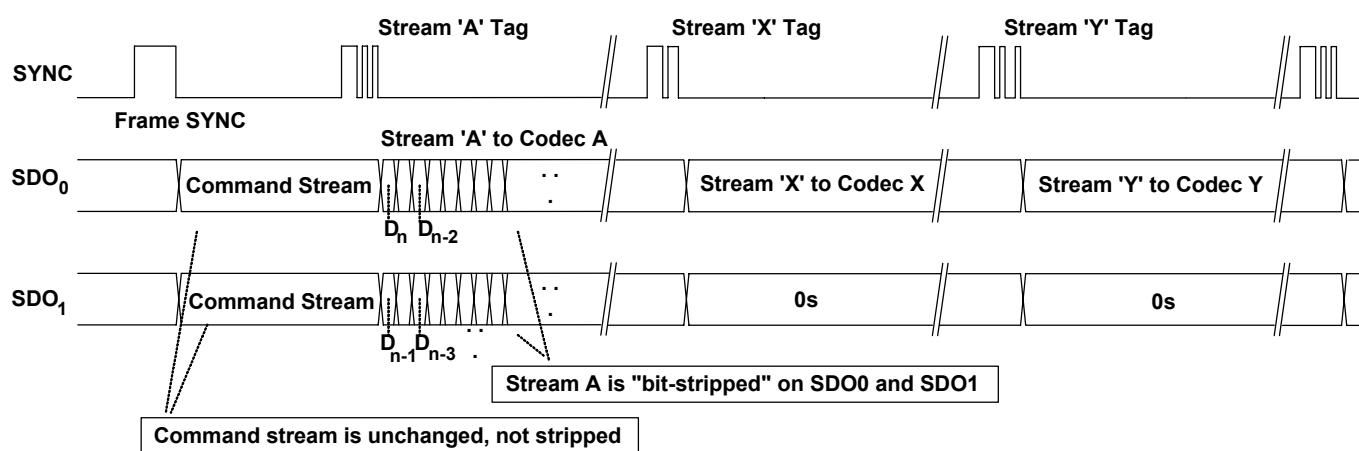


Figure 9. Stripped Stream on Multiple SDO

7.2.3. Inbound Frame – Single SDI

An Inbound Frame – Single SDI is composed of one 36-bit response stream and multiple data streams. Except for the initialization sequence (turnaround and address frame), SDI is driven by the codec at each rising edge of BCLK. The controller also samples data at the rising edge of BCLK (Figure 10).

The SDI stream tag is not carried by SYNC, but included in the SDI. A complete SDI data stream includes one 4-bit stream tag, one 6-bit data length, and n-bit sample blocks. Zeros will be padded if the total length of the contiguous sample blocks within a given stream is not of integral byte length (Figure 11).

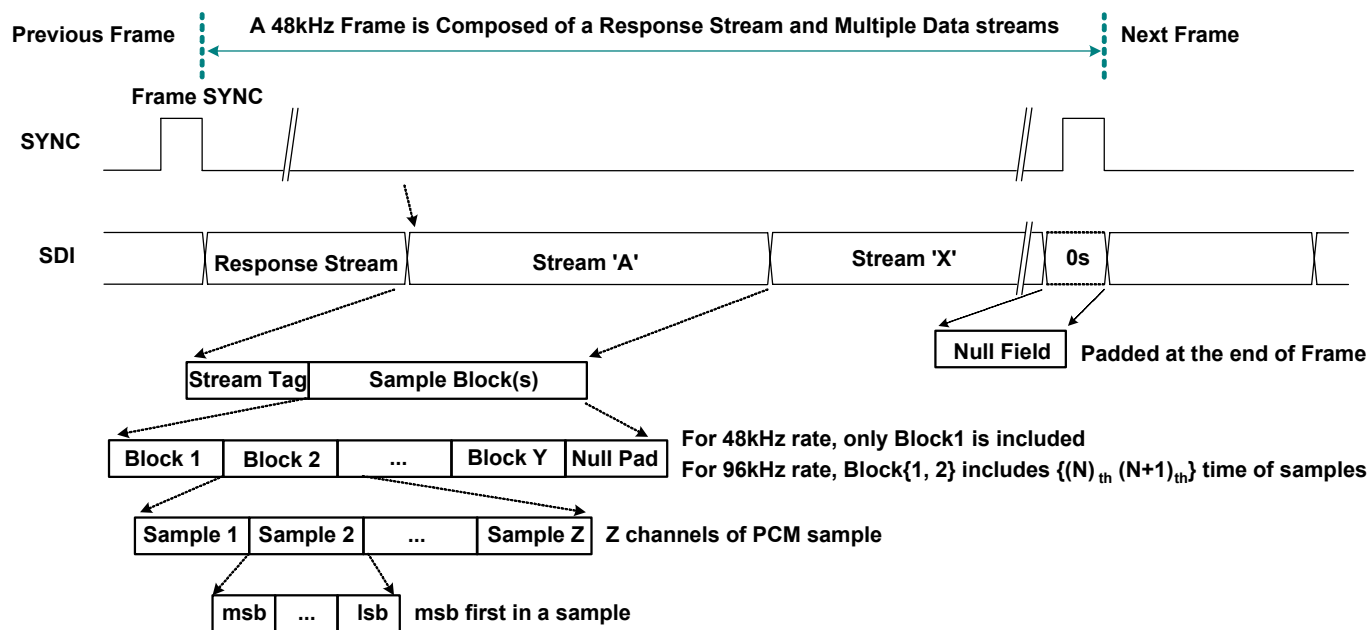


Figure 10. SDI Inbound Stream

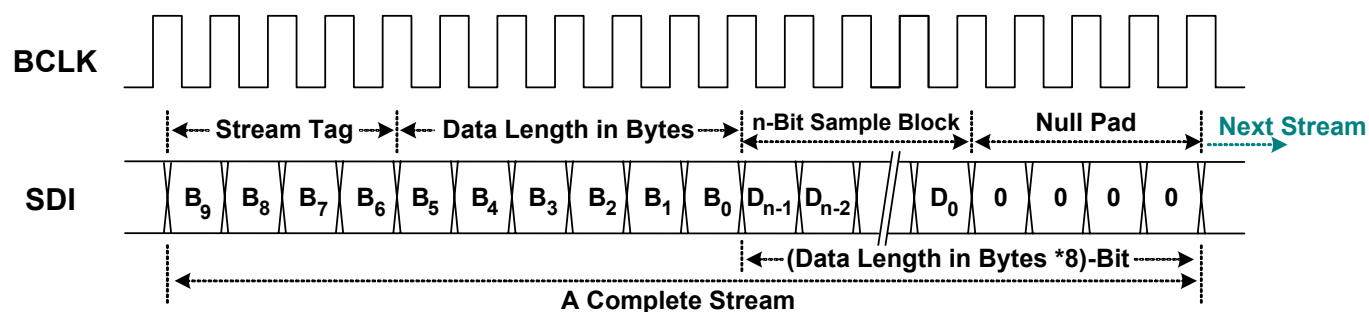


Figure 11. SDI Stream Tag and Data

7.2.4. Inbound Frame – Multiple SDIs

A codec can deliver data to the controller on multiple SDIs to achieve higher bandwidth. If an inbound stream exceeds the data transfer limits of a single SDI, the codec can divide the data onto separate SDI signals, each of which operate independently, with different stream numbers at the same frame time. This is similar to having multiple codecs connected to the controller. The controller samples the divided stream into separate memory with multiple DMA descriptors, then software re-combines the divided data into a meaningful stream.

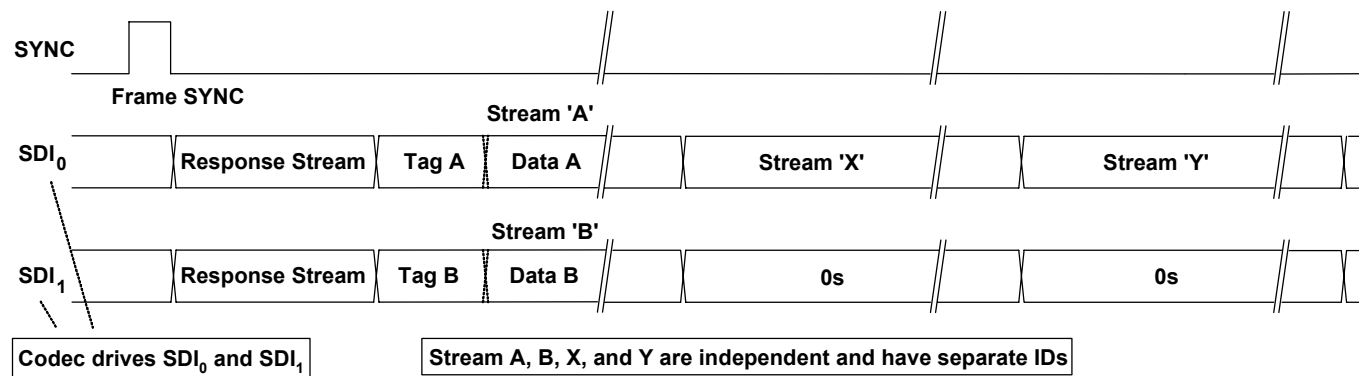


Figure 12. Codec Transmits Data Over Multiple SDI

7.2.5. Variable Sample Rates

The HDA link is designed for sample rates of 48kHz. Variable rates of sample are delivered in multiple or sub-multiple rates of 48kHz. Two sample blocks per frame result in a 96kHz delivery rate, one sample block over two frames results in a 24kHz delivery rate. The HDA specification states that the sample rate of the outbound stream be synchronized by the controller, not by the codec. Each stream has its own sample rate, independent of any other stream.

The HDA controller supports 48kHz and 44.1kHz base rates. Table 7, page 15, shows the recommended sample rates based on multiples or sub-multiples of one of the two base rates.

Rates in sub-multiples (1/n) of 48kHz are interleaving n frames containing no sample blocks. Rates in multiples (n) of 48kHz contain n sample blocks in a frame. Table 8, page 15, shows the delivery cadence of variable rates based on 48kHz.

The HDA link is defined to operate at a fixed 48kHz frame rate. To deliver samples in (sub) multiple rates of 44.1kHz, an appropriate ratio between 44.1kHz and 48kHz must be maintained to avoid frequency drift. The appropriate ratio between 44.1kHz and 48kHz is 147/160. Meaning 147 sample blocks are transmitted every 160 frames. The cadence

“12-11-11-12-11-11-12-11-11-12-11-11-11- (repeat)”

interleaves 13 frames containing no sample blocks in every 160 frames. It provides a low long-term frequency drift for 44.1kHz of delivery rate. Rates in sub-multiples (1/n) of 44.1kHz also follow this cadence AND interleave n empty frames. Rates in multiples (n) of 44.1kHz applying this cadence contain n sample blocks in the non-empty frame AND interleave an empty frame between non-empty frames (Table 9, page 15).

Table 7. Defined Sample Rate and Transmission Rate

(Sub) Multiple	48kHz Base	44.1kHz Base
1/6	8kHz (1 sample block every 6 frames)	
1/4	12kHz (1 sample block every 4 frames)	11.025kHz (1 sample block every 4 frames)
1/3	16kHz (1 sample block every 3 frames)	
1/2		22.05kHz (1 sample block every 2 frames)
2/3	32kHz (2 sample blocks every 3 frames)	
1	48kHz (1 sample block per frame)	44.1kHz (1 sample block per frame)
2	96kHz (2 sample blocks per frame)	88.2kHz (2 sample blocks per frame)
4	192kHz (4 sample blocks per frame)	176.4kHz (4 sample blocks per frame)

Table 8. 48kHz Variable Rate of Delivery Timing

Rate	Delivery Cadence	Description
8kHz	YNNNNN (repeat)	One sample block is transmitted in every 6 frames
12kHz	YNNN (repeat)	One sample block is transmitted in every 4 frames
16kHz	YNN (repeat)	One sample block is transmitted in every 3 frames
32kHz	Y ² NN (repeat)	One sample block is transmitted in every 6 frames
48kHz	Y (repeat)	One sample block is transmitted in every 6 frames
96kHz	Y ² (repeat)	Two sample blocks are transmitted in each frame
192kHz	Y ⁴ (repeat)	Four sample blocks are transmitted in each frame

N: No sample block in a frame
Y: One sample block in a frame
Y^X: X sample blocks in a frame

Table 9. 44.1kHz Variable Rate of Delivery Timing

Rate	Delivery Cadence
11.025kHz	{12} {-} {11} {-} {11} {-} {12} {-} {11} {-} {11} {-} {12} {-} {11} {-} {11} {-} {12} {-} {11} {-} {11} {-} {11} {-} (repeat)
22.05kHz	{12} {-} {11} {-} {11} {-} {12} {-} {11} {-} {11} {-} {12} {-} {11} {-} {11} {-} {12} {-} {11} {-} {11} {-} {11} {-} (repeat)
44.1kHz	12-11-11-12-11-11-12-11-11-12-11-11-11- (repeat)
88.2kHz	12 ² -11 ² -11 ² -12 ² -11 ² -11 ² -12 ² -11 ² -11 ² -12 ² -11 ² -11 ² - (repeat)
174.4kHz	12 ⁴ -11 ⁴ -11 ⁴ -12 ⁴ -11 ⁴ -11 ⁴ -12 ⁴ -11 ⁴ -11 ⁴ -12 ⁴ -11 ⁴ -11 ⁴ - (repeat)

11.025kHz: {12}=YNNNYNNNYNNNYNNNYNNNYNNNYNNNYNNNYNNNYNNNYNNNYNN
{11}=YNNNYNNNYNNNYNNNYNNNYNNNYNNNYNNNYNNNYNNNYNNNYNN
{-} =NNNN
22.05kHz: {12}=YNY
{11}=YNY
{-} =NN

44.1kHz	12- =Contiguous 12 frames containing 1 sample blocks each, followed by one frame with no sample block.
88.2kHz	12 ² - =Contiguous 12 frames containing 2 sample blocks each, followed by one frame with no sample block.
174.4kHz	12 ⁴ - =Contiguous 12 frames containing 4 sample blocks each, followed by one frame with no sample block.

7.3. Reset and Initialization

There are two types of reset within an HDA link:

- **Link Reset.**
Generated by assertion of the RST# signal. All codecs return to their power-on state
- **Codec Reset.**
Generated by software directing a command to reset a specific codec back to its default state

An initialization sequence is requested after any of the following three events:

1. Link Reset
2. Codec Reset
3. Codec changes its power state, e.g., hot docking a codec to an HDA system

7.3.1. Link Reset

A link reset may be caused by any of the following three events:

1. The HDA controller asserts RST# for any reason (power up, or PCI reset)
2. Software initiates a link reset via the ‘CRST’ bit in the Global Control Register (GCR) of the HDA controller
3. Software initiates power management sequences. Figure 13, page 17, shows the ‘Link Reset’ timing including the ‘Enter’ sequence (①~⑤) and ‘Exit’ sequence (⑥~⑨)

Enter 'Link Reset':

- ❶ Software writes a 0 to the 'CRST' bit in the Global Control Register of the HDA controller to initiate a link reset
- ❷ As the controller completes the current frame, it does not signal the normal 8-bit frame SYNC at the end of the frame
- ❸ The controller drives SYNC and all SDOs to low. Codecs also drive SDIs to low
- ❹ The controller asserts the RST# signal to low, and enters the 'Link Reset' state
- ❺ All link signals driven by controller and codecs should be tri-state by internal pull low resistors

Exit from 'Link Reset':

- ❻ If BCLK is re-started for any reason (codec wake-up event, power management, etc.)
- ❼ Software is responsible for de-asserting RST# after a minimum of 100 μ sec BCLK running time (the 100 μ sec provides time for the codec PLL to stabilize)
- ❽ Minimum of 4 BCLK after RST# is de-asserted, the controller starts to signal normal frame SYNC
- ❾ When the codec drives its SDI to request an initialization sequence (when the SDI is driven high at the last bit of frame SYNC)

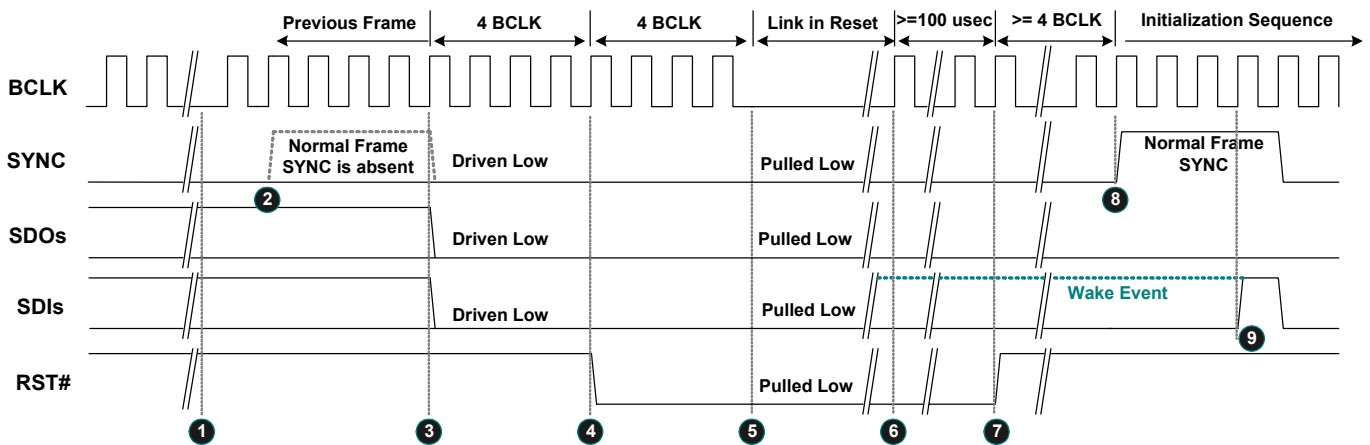


Figure 13. Link Reset Timing

7.3.2. Codec Reset

A ‘Codec Reset’ is initiated via the Codec RESET command verb. It results in the target codec being reset to the default state. After the target codec completes its reset operation, an initialization sequence is requested.

7.3.3. Codec Initialization Sequence

- ❶ The codec drives SDI high at the last bit of SYNC to request a Codec Address (CAD) from the controller
- ❷ The codec will stop driving the SDI during this turnaround period
- ❸❹❺❻ The controller drives SDI to assign a CAD to the codec
- ❼ The controller releases the SDI after the CAD has been assigned
- ❽ Normal operation state

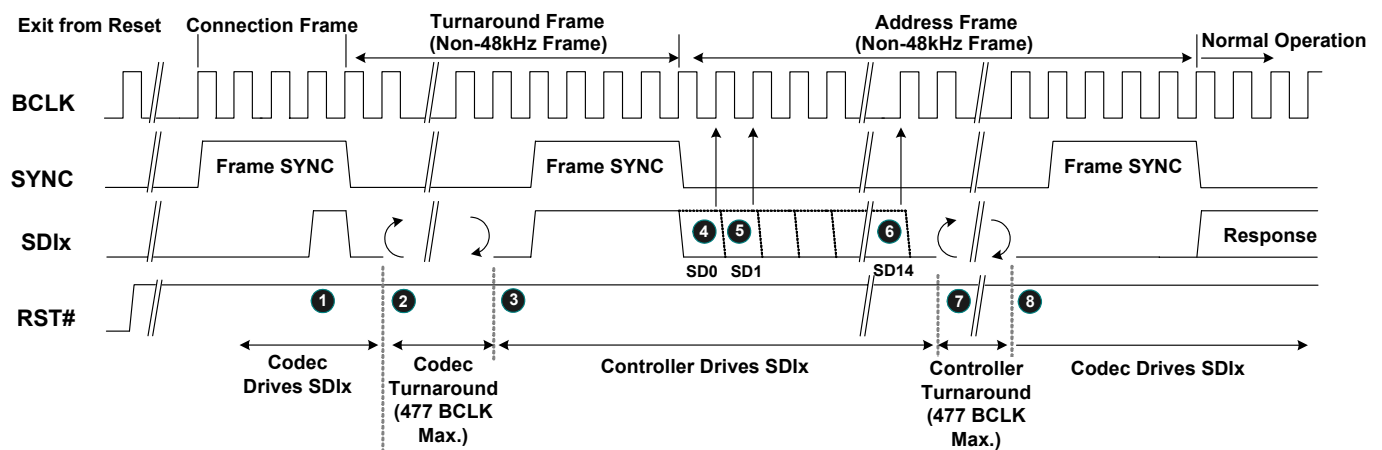


Figure 14. Codec Initialization Sequence

7.4. Verb and Response Format

7.4.1. Command Verb Format

There are two types of verbs: one with 4-bit identifiers (4-bit verbs) and 16-bits of data, the other with 12-bit identifiers (12-bit verbs) and 8-bits of data. Table 10 shows the 4-bit verb structure of a command stream sent from the controller to operate the codec. Table 11 is the 12-bit verb structure that gets and controls parameters in the codec.

Table 10. 40-Bit Commands in 4-Bit Verb Format

Bit [39:32]	Bit [31:28]	Bit [27:20]	Bit [19:16]	Bit [15:0]
Reserved	Codec Address	Node ID	Verb ID	Payload

Table 11. 40-Bit Commands in 12-Bit Verb Format

Bit [39:32]	Bit [31:28]	Bit [27:20]	Bit [19:8]	Bit [7:0]
Reserved	Codec Address	Node ID	Verb ID	Payload

7.4.2. Response Format

There are two types of response from the codec to the controller. Solicited Responses are returned by the codec in response to a current command verb. The codec will send Solicited Response data in the next frame, without regard to the Set (Write) or Get (Read) command. The 32-bit response is interpreted by software, opaque to the controller.

Unsolicited Responses are sent by the codec independently of software requests. Jack Detection or GPI status information can be actively delivered to the controller and interpreted by software. The ‘Tag’ in Bit[31:28] is used to identify unsolicited events. This tag is undefined in the HDA specifications.

Table 12. Solicited Response Format

Bit [35]	Bit [34]	Bit [33:32]	Bit [31:0]
Valid	Unsol=0	Reserved	Response

Table 13. Unsolicited Response Format

Bit [35]	Bit [34]	Bit [33:32]	Bit [31:28]	Bit [27:0]
Valid	Unsol=1	Reserved	Tag	Response

Note: The response stream in the link protocol is 36-bits wide. The response is placed in the lower 32-bit field. Bit-35 is a ‘Valid’ bit to indicate the response is ‘Ready’. Bit-34 is set to indicate that an unsolicited response was sent.

7.5. Power Management

Wake-Up events are not supported when in low-power mode. All power management state changes in widgets are driven by software. Table 14 shows the System Power State Definitions.

Only the audio function (NID=01h) and widgets of output/input converters (NID=02h~05h, 06h~08h) support power control. Software may have various power states depending on system configuration. Table 15 indicates those nodes that support power management. To simplify power control, software can configure whole codec power states through the audio function (NID=01h). Output converters (DACs) and input converters (ADCs) also have individual power control to supply fine-grained power control. Software can power-down individual converters when they are not being used.

Table 14. System Power State Definitions

Power States	Definitions
D0	All power on. Individual DACs and ADCs can be powered up or down as required
D1	All amplifiers and converters (DACs and ADCs) are powered down. State maintained, analog reference stays up
D2	All amplifiers and converters (DACs and ADCs) are powered down. State maintained, but analog reference off (D1 + analog reference off)
D3 (Hot)	Power still supplied. The codec stops the internal clock. State is maintained
D3 (Cold)	All power removed. State lost

Table 15. Power Controls in NID is 01h, 02h~05h, 07h~09h

Item	Description	D0	D1	D2	D3	Link Reset
Audio Function (NID=01h)	LINK Response	Normal	Normal	Normal	PD	PD
	Front DAC	Normal	PD	PD	PD	PD
	Surr DAC	Normal	PD	PD	PD	PD
	Cen/Lfe DAC	Normal	PD	PD	PD	PD
	Surr Back DAC	Normal	PD	PD	PD	PD
	MIC ADC	Normal	PD	PD	PD	PD
	LINE ADC	Normal	PD	PD	PD	PD
	MIX ADC	Normal	PD	PD	PD	PD
	All Headphone Drivers	Normal	Normal	PD	PD	Normal
	All Mixers	Normal	Normal	PD	PD	Normal
All Reference	Normal	Normal	PD	PD	Normal	
Output Converters (NID=02h~05h)	Front DAC	Normal	PD	PD	PD	PD
	Surr DAC	Normal	PD	PD	PD	PD
	Cen/Lfe DAC	Normal	PD	PD	PD	PD
	Surr Back DAC	Normal	PD	PD	PD	PD
Input Converters (NID=07h~09h)	MIC ADC	Normal	PD	PD	PD	PD
	LINE ADC	Normal	PD	PD	PD	PD
	MIX ADC	Normal	PD	PD	PD	PD

Note: PD=Powered Down

Table 16. Powered Down Conditions

Condition	Description
LINK Response powered down	Internal clock is stopped. SDATA-IN and S/PDIF-OUT are floated with pulled low 47K resistors internally. S/PDIF-IN is also floated. Detection of 'Link Reset Entry' and 'Link Reset Exit' sequences are supported. All states are maintained if DVDD is supplied
Front DAC powered down	Analog block and digital filter are powered down
Surr DAC powered down	Analog block and digital filter are powered down
CEN/LFE DAC powered down	Analog block and digital filter are powered down
SIDESURR DAC powered down	Analog block and digital filter are powered down
MIC ADC powered down	Analog block and digital filter are powered down. The data on SDATA-IN is quiet
LINE ADC powered down	Analog block and digital filter are powered down. The data on SDATA-IN is quiet
MIX ADC powered down	Analog block and digital filter are powered down. The data on SDATA-IN is quiet
Headphone Driver powered down	All headphone drivers are powered down
Mixers powered down	All internal mixer widgets are powered down. The DC reference and VREFOUTx at individual pin complex are still alive
Reference power down	All internal references, DC reference, and VREFOUTx at individual pin complexes are off

8. Supported Verbs and Parameters

This section describes the Verbs and Parameters supported by various widgets in the ALC880(D). If a verb is not supported by the addressed widget, it will respond with 32 bits of '0'.

8.1. Verb – Get Parameters (Verb ID=F00h)

The 'Get Parameters' verb is used to get system information and the function capabilities of the HDA codec. All the parameters are read-only. There are a total of 15 ID parameters defined for each widget, some parameters are supported only in a specific widget. Refer to section 7.4.1 Command Verb Format, page 19, for detailed information about supported parameters.

Table 17. Verb – Get Parameters (Verb ID=F00h)

Get Parameter Command Format				Codec Response Format
Bit [31:28]	Bit [27:20]	Bit [19:8]	Payload Bit [7:0]	Response [31:0]
CAd=X	Node ID=00h	Verb ID=F00h	Parameter ID[7:0]	32-bit Response

Note: If the parameter ID is not supported, the returned response is 32 bits of '0'.

8.1.1. Parameter – Vendor ID (Verb ID=F00h, Parameter ID=00h)

Table 18. Parameter – Vendor ID (Verb ID=F00h, Parameter ID=00h)

Codec Response Format	
Bit	Description
31:16	Vendor ID=10ECh (Realtek's PCI vendor ID)
15:0	Device ID=0880h

Note: The Root Node (NID=00h) supports this parameter.

8.1.2. Parameter – Subsystem ID (Verb ID=F00h, Parameter ID=01h)

Table 19. Parameter – Subsystem ID (Verb ID=F00h, Parameter ID=01h)

Codec Response Format	
Bit	Description
31:0	SubSystem ID=0880h The SubSystem ID is used to identify the function group

Note1: The Audio Function Group Node (NID=01h) supports this parameter.

Note2: Only supported by the ALC880, ALC880D, ALC880-LF, and ALC880D-LF.

8.1.3. Parameter – Revision ID (Verb ID=F00h, Parameter ID=02h)

Table 20. Parameter – Revision ID (Verb ID=F00h, Parameter ID=02h)

Codec Response Format

Bit	Description
31:24	Reserved. Read as 0's
23:20	MajRev. The major version number (in decimal) of the HDA Specification
19:16	MinRev. The minor version number (in decimal) of the HDA Specification
15:8	Revision ID. The vendor's revision number 00h is for the first silicon version, 01h is for the second version, etc.
7:0	Stepping ID. The vendor's stepping number within the given Revision ID

Note: The Root Node (NID=00h) supports this parameter.

8.1.4. Parameter – Subordinate Node Count (Verb ID=F00h, Parameter ID=04h)

For the root node, the Subordinate Node Count provides information about audio function group nodes associated with the root node.

For function group nodes, it provides the total number of widgets associated with this function node.

Table 21. Parameter – Subordinate Node Count (Verb ID=F00h, Parameter ID=04h)

Codec Response Format

Bit	Description
31:24	Reserved. Read as 0's
23:16	Starting Node Number The starting node number in the sequential widgets
15:8	Reserved. Read as 0's.
7:0	Total Number of Nodes For a root node, this is the total number of function groups in the root node For a function group, this is the total number of widget nodes in the function group

8.1.5. Parameter – Function Group Type (Verb ID=F00h, Parameter ID=05h)

Table 22. Parameter – Function Group Type (Verb ID=F00h, Parameter ID=05h)

Codec Response Format

Bit	Description
31:8	Reserved. Read as 0's
7:0	Function Group Type 00h: Reserved 01h: Audio Function 02h: Modem Function 03h~7Fh: Reserved 80h~FFh: Vendor Defined Function

Note: The Audio Function Group (NID=01h) supports this parameter.

8.1.6. Parameter – Audio Function Capabilities (Verb ID=F00h, Parameter ID=08h)

Table 23. Parameter – Audio Function Capabilities (Verb ID=F00h, Parameter ID=08h)

Codec Response Format

Bit	Description
31:17	Reserved. Read as 0's
16	Beep Generator A '1' indicates the presence of an integrated Beep generator within the Audio Function Group
15:12	Reserved. Read as 0's
11:8	Input Delay
7:4	Reserved. Read as 0's
3:0	Output Delay

Note: The Audio Function Group (NID=01h) supports this parameter.

8.1.7. Parameter – Audio Widget Capabilities (Verb ID=F00h, Parameter ID=09h)

Table 24. Parameter – Audio Widget Capabilities (Verb ID=F00h, Parameter ID=09h)

Codec Response Format

Bit	Description
31:24	Reserved. Read as 0's
23:20	Widget Type 0h: Audio Output 1h: Audio Input 2h: Mixer 3h: Selector 4h: Pin Complex 5h: Power Widget 6h: Volume Knob Widget 7h~Eh: Reserved Fh: Vendor defined audio widget
19:16	Delay. Samples delayed between the HDA link and widgets
15:11	Reserved. Read as 0's
10	Power Control 0: Power control is not supported on this widget 1: Power control is supported on this widget

Codec Response Format

Bit	Description
9	Digital 0: An analog input or output converter 1: A widget translating digital data between the HDA link and digital I/O (S/PDIF, I2S, etc.)
8	ConnList. Connection List 0: Connected to HDA link. No Connection List Entry should be queried 1: Connection List Entry must be queried
7	UnsolCap. Unsolicited Capable 0: Unsolicited response is not supported 1: Unsolicited response is supported
6	ProcWidget. Processing Widget 0: No processing control 1: Processing control is supported
5	Reserved. Read as 0
4	Format Override
3	AmpParOvr (AMP Param Override)
2	OutAmpPre (Out AMP Present)
1	InAmpPre (In AMP Present)
0	Stereo 0: Mono Widget 1: Stereo Widget

8.1.8. Parameter – Supported PCM Size, Rates (Verb ID=F00h, Parameter ID=0Ah)

Parameter in audio function provides default information about formats. Individual converters have their own parameters to provide supported formats if their ‘Format Override’ bit is set.

Table 25. Parameter – Supported PCM Size, Rates (Verb ID=F00h, Parameter ID=0Ah)

Codec Response Format

Bit	Description
31:21	Reserved. Read as 0's
20	B32. 32-bit audio format support 0: Not supported 1: Supported
19	B24. 24-bit audio format support 0: Not supported 1: Supported
18	B20. 20-bit audio format support 0: Not supported 1: Supported
17	B16. 16-bit audio format support 0: Not supported 1: Supported

Codec Response Format

Bit	Description
16	B8. 8-bit audio format support 0: Not supported 1: Supported
15:12	Reserved. Read as 0's
11	R12. 384kHz (=8*48kHz) rate support 0: Not supported 1: Supported
10	R11. 192kHz (=4*48kHz) rate support 0: Not supported 1: Supported
9	R10. 176.4kHz (=4*44.1kHz) rate support 0: Not supported 1: Supported
8	R9. 96kHz (=2*48kHz) rate support 0: Not supported 1: Supported
7	R8. 88.2kHz (=2*44.1kHz) rate support 0: Not supported 1: Supported
6	R7. 48kHz rate support 0: Not supported 1: Supported
5	R6. 44.1kHz rate support 0: Not supported 1: Supported
4	R5. 32kHz (=2/3*48kHz) rate support 0: Not supported 1: Supported
3	R4. 22.05kHz (=1/2*44.1kHz) rate support 0: Not supported 1: Supported
2	R3. 16kHz (=1/3*48kHz) rate support 0: Not supported 1: Supported
1	R2. 11.025kHz (=1/4*44.1kHz) rate support 0: Not supported 1: Supported
0	R1. 8kHz (=1/6*48kHz) rate support 0: Not supported 1: Supported

8.1.9. Parameter – Supported Stream Formats (Verb ID=F00h, Parameter ID=0Bh)

Parameters in this node only provide default information for audio function groups. Individual converters have their own parameters to provide supported formats if the ‘Format Override’ bit is set.

Table 26. Parameter – Supported Stream Formats (Verb ID=F00h, Parameter ID=0Bh)

Codec Response Format

Bit	Description
31:3	Reserved. Read as 0’s
2	AC3 0: Not supported 1: Supported
1	Float32 0: Not supported 1: Supported
0	PCM 0: Not supported 1: Supported

Note: Input converters and output converters support this parameter.

8.1.10. Parameter – Pin Capabilities (Verb ID=F00h, Parameter ID=0Ch)

The Pin Capabilities parameter returns a bit field describing the capabilities of the Pin Complex widget.

Table 27. Parameter – Pin Capabilities (Verb ID=F00h, Parameter ID=0Ch)

Codec Response Format

Bit	Description														
31:16	Reserved. Read as 0’s														
15:8	VREF Control Capability ‘1’ in corresponding bit field indicates signal levels of associated Vrefout are specified as a percentage of AVDD. <table border="1" style="margin-left: 20px;"> <thead> <tr> <th>7:6</th> <th>5</th> <th>4</th> <th>3</th> <th>2</th> <th>1</th> <th>0</th> </tr> </thead> <tbody> <tr> <td>Reserved</td> <td>100%</td> <td>80%</td> <td>Reserved</td> <td>Ground</td> <td>50%</td> <td>Hi-Z</td> </tr> </tbody> </table>	7:6	5	4	3	2	1	0	Reserved	100%	80%	Reserved	Ground	50%	Hi-Z
7:6	5	4	3	2	1	0									
Reserved	100%	80%	Reserved	Ground	50%	Hi-Z									
7	L-R Swap. Indicates left and right swap capability														
6	Balanced I/O Pin ‘1’ indicates this pin complex has balanced pins														
5	Input Capable ‘1’ indicates this pin complex supports input														
4	Output Capable ‘1’ indicates this pin complex supports output														
3	Headphone Drive Capable ‘1’ indicates this pin complex has an amplifier to drive a headphone														
2	Presence Detect Capable ‘1’ indicates this pin complex can detect whether there is a device plugged in														

Codec Response Format

Bit	Description
1	Trigger Required '1' indicates whether a software trigger is required for an impedance measurement
0	Impedance Sense Capable '1' indicates this pin complex can perform analog sense on the attached device to determine its type

Note: Only Pin Complex widgets support this parameter.

8.1.11. Parameter – Amplifier Capabilities (Verb ID=F00h, Input Amplifier Parameter ID=0Dh)

Parameters in this node provide audio function group default information. Individual converters have their own parameters to provide amplifier capabilities if the 'AMP Param Override' bit is set.

Table 28. Parameter – Amplifier Capabilities (Verb ID=F00h, Input Amplifier Parameter ID=0Dh)

Codec Response Format

Bit	Description
31	(Input) Mute Capable
30:23	Reserved. Read as 0
22:16	Step Size Indicates the size of each step in the gain range. Permanently set to '3' (indicates a step of 1dB)
15	Reserved. Read as 0
14:8	Number of Steps Indicates the number of steps in the gain range. '0' means the gain is fixed
7	Reserved. Read as 0
6:0	Offset Indicates which step is 0dB

8.1.12. Parameter – Amplifier Capabilities (Verb ID=F00h, Output Amplifier Parameter ID=12h)

Parameters in this node provide audio function group default information. Individual converters have their own parameters to provide amplifier capabilities if the ‘AMP Param Override’ bit is set.

Table 29. Parameter – Amplifier Capabilities (Verb ID=F00h, Output Amplifier Parameter ID=12h)

Codec Response Format

Bit	Description
31	(Output) Mute Capable
30:23	Reserved. Read as 0
22:16	Step Size Indicates the size of each step in the gain range. Permanently set to ‘3’ (indicates a step of 1dB)
15	Reserved. Read as 0
14:8	Number of Steps Indicates the number of steps in the gain range. ‘0’ means the gain is fixed
7	Reserved. Read as 0
6:0	Offset. Indicates which step is 0dB

8.1.13. Parameter – Connect List Length (Verb ID=F00h, Parameter ID=0Eh)

Parameters in this node provide audio function widget connection information.

Table 30. Parameter – Connect List Length (Verb ID=F00h, Parameter ID=0Eh)

Codec Response Format

Bit	Description
31:8	Reserved. Read as 0
7	Short Form 0: Short Form 1: Long Form
6:0	Connect List Length Indicates the number of inputs connected to a widget. If the Connect List Length is 1, there is only one input, and there is no Connection Select Control (Not a MUX widget)

8.1.14. Parameter – Supported Power States (Verb ID=F00h, Parameter ID=0Fh)

Table 31. Parameter – Supported Power States (Verb ID=F00h, Parameter ID=0Fh)

Codec Response Format

Bit	Description
31:4	Reserved. Read as 0's
3	D3Sup 1: Power state D3 is supported
2	D2Sup 1: Power state D2 is supported
1	D1Sup 1: Power state D1 is supported
0	D0Sup 1: Power state D0 is supported

8.1.15. Parameter – Processing Capabilities (Verb ID=F00h, Parameter ID=10h)

Table 32. Parameter – Processing Capabilities (Verb ID=F00h, Parameter ID=10h)

Codec Response Format

Bit	Description
31:16	Reserved. Read as 0's
15:8	NumCoeff. Number of Coefficient
7:1	Reserved. Read as 0's
0	Benign 0: Processing unit is not linear and not time invariant 1: Processing unit is linear and is time invariant

8.1.16. Parameter – GPIO Capabilities (Verb ID=F00h, Parameter ID=11h)

Table 33. Parameter – GPIO Capabilities (Verb ID=F00h, Parameter ID=11h)

Codec Response Format

Bit	Description
31	GPIWake=0 The GPIO wake up function is not supported
30	GPIUnsol=1 The GPIO unsolicited response function is not supported
29:24	Reserved. Read as 0's
23:16	NumGPIs=00h No GPI pin is supported
15:8	NumGPOs=00h. No GPO pin is supported
7:0	NumGPIOs=02h. Two GPIO pins are supported

8.1.17. Parameter – Volume Knob Capabilities (Verb ID=F00h, Parameter ID=13h)

Table 34. Parameter – Volume Knob Capabilities (Verb ID=F00h, Parameter ID=13h)

Codec Response Format for NID=21h (Volume Control Knob)

Bit	Description
31:8	Reserved. Read as 0's
7	Delta 0: Software cannot modify the Volume Control Knob volume 1: Software can write a base volume to the Volume Control Knob
6:0	NumSteps The number of steps in the range of the Volume Control Knob

8.2. Verb – Get Connection Select Control (Verb ID=F01h)

Table 35. Verb – Get Connection Select Control (Verb ID=F01h)

Get Command Format

Bit [31:28]	Bit [27:20]	Bit [19:8]	Payload Bit [7:0]
CAd=X	Node ID=Xh	Verb ID=F01h	0's

Codec Response Format

Response [31:0]
Bit[7:0] are Connection Index

Codec Response for NID=07h (MIC ADC)

Bit	Description
31:8	0's
7:0	Connection Index currently Set (Default value is 00h) 00h: Pin complex - MIC1 01h: Pin complex - MIC2 02h: Pin complex - LINE1 03h: Pin complex - LINE2 04h: Pin complex - Analog CD-IN 05h: Pin complex - FRONT OUT 06h: Pin complex - SURR OUT Other: Reserved

Codec Response for NID=08h (LINE ADC)

Bit	Description
31:8	0's
7:0	Connection Index currently Set (Default value is 02h) 00h: Pin complex - MIC1 01h: Pin complex - MIC2 02h: Pin complex - LINE1 03h: Pin complex - LINE2 04h: Pin complex - Analog CD-IN 05h: Pin complex - FRONT OUT 06h: Pin complex - SURR OUT Other: Reserved

Codec Response for NID=09h (MIX ADC)

Bit	Description
31:8	0's
7:0	Connection Index currently Set (Default value is 04h) 00h: Pin complex - MIC1 01h: Pin complex - MIC2 02h: Pin complex - LINE1 03h: Pin complex - LINE2 04h: Pin complex - Analog CD-IN 05h: Mixer (NID=0Bh, the summation of MIC1, MIC2, LINE1, LINE2, CD-IN and PCBEEP) 06h: Pin complex - FRONT OUT 07h: Pin complex - SURROUND OUT 08h: Pin complex - CEN/LFE OUT 09h: Pin complex - SURROUND BACK OUT Other: Reserved

Codec Response for NID=10h (MIC1 Selector)

Bit	Description
31:8	0's
7:0	Connection Index currently Set (Default value is 00h) 00h: Front DAC Sum Widget (NID=0Ch) 01h: Surr DAC Sum Widget (NID=0Dh) 02h: Cen/Lfe DAC Sum Widget (NID=0Eh) 03h: SIDESURR DAC Sum Widget (NID=0Fh) Other: Reserved

Codec Response for NID=11h (MIC2 Selector)

Bit	Description
31:8	0's
7:0	Connection Index currently Set (Default value is 00h) 00h: Front DAC Sum Widget (NID=0Ch) 01h: Surr DAC Sum Widget (NID=0Dh) 02h: Cen/Lfe DAC Sum Widget (NID=0Eh) 03h: SIDESURR DAC Sum Widget (NID=0Fh) Other: Reserved

Codec Response for NID=12h (LINE1 Selector)

Bit	Description
31:8	0's
7:0	Connection Index currently Set (Default value is 00h) 00h: Front DAC Sum Widget (NID=0Ch) 01h: Surr DAC Sum Widget (NID=0Dh) 02h: Cen/Lfe DAC Sum Widget (NID=0Eh) 03h: Side-Surr DAC Sum Widget (NID=0Fh) Other: Reserved

Codec Response for NID=13h (LINE2 Selector)

Bit	Description
31:8	0's
7:0	Connection Index currently Set (Default value is 00h) 00h: Front DAC Sum Widget (NID=0Ch) 01h: Surr DAC Sum Widget (NID=0Dh) 02h: Cen/Lfe DAC Sum Widget (NID=0Eh) 03h: Side-Surr DAC Sum Widget (NID=0Fh) Other: Reserved

Codec Response for other NID

Bit	Description
31:0	Not supported (returns 00000000h)

8.3. Verb – Set Connection Select (Verb ID=701h)

Table 36. Verb – Set Connection Select (Verb ID=701h)

Set Command Format

Bit [31:28]	Bit [27:20]	Bit [19:8]	Payload Bit [7:0]
CAd=X	Node ID=Xh	Verb ID=701h	Select Index [7:0]

Codec Response Format

Response [31:0]
0's for all nodes

8.4. Verb – Get Connection List Entry (Verb ID=F02h)

Table 37. Verb – Get Connection List Entry (Verb ID=F02h)

Get Command Format

Bit [31:28]	Bit [27:20]	Bit [19:8]	Payload Bit [7:0]
CAd=X	Node ID=Xh	Verb ID=F02h	Offset Index - N[7:0]

Codec Response Format

Response [31:0]
32-bit Response

Codec Response for NID=07h (MIC ADC)

Bit	Description
31:24	Connection List Entry (N+3) Returns 1Bh (=27, Pin Complex - LINE2) for N=0~3 Returns 00h for n>3
23:16	Connection List Entry (N+2) Returns 1Ah (Pin Complex - LINE1) for N=0~3 Returns 15h (Pin Complex-SURR) for N=4~7 Returns 00h for N>7
15:8	Connection List Entry (N+1) Returns 19h (Pin Complex-MIC2) for N=0~3 Returns 14h (Pin Complex-FRONT) for N=4~7 Returns 00h for N>7
7:0	Connection List Entry (N) Returns 18h (Pin Complex-MIC1) for N=0~3 Returns 1Ch (Pin Complex-CD) for N=4~7 Returns 00h for N>7

Codec Response for NID=08h (LINE ADC)

Bit	Description
31:24	Connection List Entry (N+3) Returns 1Bh (Pin Complex - LINE2) for N=0~3 Returns 00h for N>3
23:16	Connection List Entry (N+2) Returns 1Ah (Pin Complex - LINE1) for N=0~3 Returns 15h (Pin Complex-SURR) for N=4~7 Returns 00h for N>7
15:8	Connection List Entry (N+1) Returns 19h (Pin Complex-MIC2) for N=0~3 Returns 14h (Pin Complex-FRONT) for N=4~7 Returns 00h for N>7
7:0	Connection List Entry (N) Returns 18h (Pin Complex-MIC1) for N=0~3 Returns 1Ch (Pin Complex-CD) for N=4~7 Returns 00h for N>7

Codec Response for NID=09h (MIX ADC)

Bit	Description
31:24	Connection List Entry (N+3) Returns 1Bh (Pin Complex - LINE2) for N=0~3 Returns 15h (Pin Complex-SURR OUT) for N=4~7 Returns 00h for N>7
23:16	Connection List Entry (N+2) Returns 1Ah (Pin Complex - LINE1) for N=0~3 Returns 14h (Pin Complex-FRONT OUT) for N=4~7 Returns 00h for N >7
15:8	Connection List Entry (N+1) Returns 19h (Pin Complex-MIC2) for N=0~3 Returns 0Bh (Mixer) for N=4~7 Returns 17h (Pin Complex-SURROUND BACK OUT) for N =8~11 Returns 00h for N>11
7:0	Connection List Entry (N) Returns 18h (Pin Complex-MIC1) for N =0~3 Returns 1Ch (Pin Complex-CD) for N =4~7 Returns 16h (Pin Complex-CEN/LFE OUT) for N =8~11 Returns 00h for N>11

Codec Response for NID=0Bh (Mixer)

Bit	Description
31:24	Connection List Entry (N+3) Returns 1Bh (Pin Complex - LINE2) for N=0~3 Returns 15h (Pin Complex-SURR) for N=4~7 Returns 00h for N>7
23:16	Connection List Entry (N+2) Returns 1Ah (Pin Complex - LINE1) for N=0~3 Returns 14h (Pin Complex - FRONT-OUT) for N=4~7 Returns 00h for N>7
15:8	Connection List Entry (N+1) Returns 19h (Pin Complex - MIC2) for N=0~3 Returns 1Dh (Pin Complex - PCBEEP) for N=4~7 Returns 00h for N>7
7:0	Connection List Entry (N) Returns 18h (Pin Complex - MIC1) for N=0~3 Returns 1Ch (Pin Complex - CD) for N=4~7 Returns 00h for N>7

Codec Response for NID=0Ch (Front Sum)

Bit	Description
31:24	Connection List Entry (N) Returns 00h
23:16	Connection List Entry (N+2) Returns 00h
15:8	Connection List Entry (N+1) Returns 0Bh (Mixer) for N=0~3 Returns 00h for N>3
7:0	Connection List Entry (N) Returns 02h (Front DAC) for N=0~3 Returns 00h for N>3

Codec Response for NID=0Dh (Surround Sum)

Bit	Description
31:24	Connection List Entry (N) Returns 00h
23:16	Connection List Entry (N+2) Returns 00h
15:8	Connection List Entry (N+1) Returns 0Bh (Mixer) for N=0~3 Returns 00h for N>3
7:0	Connection List Entry (N) Returns 03h (Surround DAC) for N=0~3 Returns 00h for N>3

Codec Response for NID=0Eh (Cen/Lfe Sum)

Bit	Description
31:24	Connection List Entry (N) Returns 00h
23:16	Connection List Entry (N+2) Returns 00h
15:8	Connection List Entry (N+1) Returns 0Bh (Mixer) for N=0~3 Returns 00h for N>3
7:0	Connection List Entry (N) Returns 04h (Cen/Lfe DAC) for N=0~3 Returns 00h for N>3

Codec Response for NID=0Fh (Side-Surr Sum)

Bit	Description
31:24	Connection List Entry (N) Returns 00h
23:16	Connection List Entry (N+2) Returns 00h
15:8	Connection List Entry (N+1) Returns 0Bh (Mixer) for N=0~3 Returns 00h for N>3
7:0	Connection List Entry (N) Returns 05h (Front DAC) for N=0~3 Returns 00h for N>3

Codec Response for NID=10h (MIC1 Sel)

Bit	Description
31:24	Connection List Entry (N+3) Returns 0Fh (Side-Surr DAC Sum Widget) for N=0~3 Returns 00h for N>3
23:16	Connection List Entry (N+2) Returns 0Eh (Cen/Lfe DAC Sum Widget) for N=0~3 Returns 00h for N>3
15:8	Connection List Entry (N+1) Returns 0Dh (Surr DAC Sum Widget) for N=0~3 Returns 00h for N>3
7:0	Connection List Entry (N) Returns 0Ch (Front DAC Sum Widget) for N=0~3 Returns 00h for N>3

Codec Response for NID=11h (MIC2 Sel)

Bit	Description
31:24	Connection List Entry (N+3) Returns 0Fh (Side-Surr DAC Sum Widget) for N=0~3 Returns 00h for N>3
23:16	Connection List Entry (N+2) Returns 0Eh (Cen/Lfe DAC Sum Widget) for N=0~3 Returns 00h for N>3
15:8	Connection List Entry (N+1) Returns 0Dh (Surr DAC Sum Widget) for N=0~3 Returns 00h for N>3
7:0	Connection List Entry (N) Returns 0Ch (Front DAC Sum Widget) for N=0~3 Returns 00h for N>3

Codec Response for NID=12h (LINE1 Sel)

Bit	Description
31:24	Connection List Entry (N+3) Returns 0Fh (Side-Surr DAC Sum Widget) for N=0~3 Returns 00h for N>3
23:16	Connection List Entry (N+2) Returns 0Eh (Cen/Lfe DAC Sum Widget) for N=0~3 Returns 00h for N>3
15:8	Connection List Entry (N+1) Returns 0Dh (Surr DAC Sum Widget) for N=0~3 Returns 00h for N>3
7:0	Connection List Entry (N) Returns 0Ch (Front DAC Sum Widget) for N=0~3 Returns 00h for N>3

Codec Response for NID=13h (LINE2 Sel)

Bit	Description
31:24	Connection List Entry (N+3) Returns 0Fh (Side-Surr DAC Sum Widget) for N=0~3 Returns 00h for N>3
23:16	Connection List Entry (N+2) Returns 0Eh (Cen/Lfe DAC Sum Widget) for N=0~3 Returns 00h for N>3
15:8	Connection List Entry (N+1) Returns 0Dh (Surr DAC Sum Widget) for N=0~3 Returns 00h for N>3
7:0	Connection List Entry (N) Returns 0Ch (Front DAC Sum Widget) for N=0~3 Returns 00h for N>3

Codec Response for NID=14h (Pin Widget: FRONT-OUT)

Bit	Description
31:8	Connection List Entry (N+3), (N+2), and (N+1) Returns 000000h
7:0	Connection List Entry (N) Returns 0Ch (NID=0Ch, Sum Widget) for N=0~3 Returns 00h for N>3

Codec Response for NID=15h (Pin Widget: SURR-OUT)

Bit	Description
31:8	Connection List Entry (N+3), (N+2), and (N+1) Returns 000000h
7:0	Connection List Entry (N) Returns 0Dh (NID=0Dh, Sum Widget) for N=0~3 Returns 00h for N>3

Codec Response for NID=16h (Pin Widget: CEN/LFE-OUT)

Bit	Description
31:8	Connection List Entry (N+3), (N+2), and (N+1) Returns 000000h
7:0	Connection List Entry (N) Returns 0Eh (NID=0Eh, Sum Widget) for N=0~3 Returns 00h for N>3

Codec Response for NID=17h (Pin Widget: SIDESURR-OUT)

Bit	Description
31:8	Connection List Entry (N+3), (N+2), and (N+1) Returns 000000h
7:0	Connection List Entry (N) Returns 0Fh (NID=0Fh, Sum Widget) for N=0~3 Returns 00h for N>3

Codec Response for NID=18h (Pin Widget: MIC1)

Bit	Description
31:8	Connection List Entry (N+3), (N+2), and (N+1) Returns 000000h
7:0	Connection List Entry (N) Returns 10h (NID=10h, Select Widget) for N=0~3 Returns 00h for N>3

Codec Response for NID=19h (Pin Widget: MIC2)

Bit	Description
31:8	Connection List Entry (N+3), (N+2), and (N+1) Returns 000000h
7:0	Connection List Entry (N) Returns 11h (NID=11h, Select Widget) for N=0~3 Returns 00h for N>3

Codec Response for NID=1Ah (Pin Widget: LINE1)

Bit	Description
31:8	Connection List Entry (N+3), (N+2), and (N+1) Returns 000000h
7:0	Connection List Entry (N) Returns 12h (NID=12h, Select Widget) for N=0~3 Returns 00h for N>3

Codec Response for NID=1Bh (Pin Widget: LINE2)

Bit	Description
31:8	Connection List Entry (N+3), (N+2), and (N+1) Returns 000000h
7:0	Connection List Entry (N) Returns 13h (NID=13h, Select Widget) for N=0~3 Returns 00h for N>3

Codec Response for Other NID

Bit	Description
31:0	Not supported (returns 00000000h)

8.5. Verb – Get Processing State (Verb ID=F03h)

Table 38. Verb – Get Processing State (Verb ID=F03h)

Get Command Format

Bit [31:28]	Bit [27:20]	Bit [19:8]	Payload Bit [7:0]
CAd=X	Node ID=Xh	Verb ID=F03h	0's

Codec Response Format

Response [31:0]
32-bit response

Codec Response for All NID

Bit	Description
31:0	Not supported (returns 00000000h)

8.6. Verb – Set Processing State (Verb ID=703h)

Table 39. Verb – Set Processing State (Verb ID=703h)

Set Command Format

Bit [31:28]	Bit [27:20]	Bit [19:8]	Payload Bit [7:0]
CAd=X	Node ID=Xh	Verb ID=703h	Processing State [7:0]

Codec Response Format

Response [31:0]
0's for all nodes

Codec Response for All NID

Bit	Description
31:0	0's

8.7. Verb – Get Coefficient Index (Verb ID=Dh)

Table 40. Verb – Get Coefficient Index (Verb ID=Dh)

Get Command Format				Codec Response Format
Bit [31:28]	Bit [27:20]	Bit [19:16]	Payload Bit [15:0]	Response [31:0]
CAd=X	Node ID=Xh	Verb ID=Dh	0's	Bit [15:0] are Coefficient Index

Codec Response for NID=20h (Realtek Defined Hidden Registers)

Bit	Description
31:16	Reserved. Read as 0's
15:0	Coefficient Index

Codec Response for Other NID

Bit	Description
31:0	Not supported (returns 00000000h)

8.8. Verb – Set Coefficient Index (Verb ID=5h)

Table 41. Verb – Set Coefficient Index (Verb ID=5h)

Set Command Format				Codec Response Format
Bit [31:28]	Bit [27:20]	Bit [19:16]	Payload Bit [15:0]	Response [31:0]
CAd=X	Node ID=Xh	Verb ID=5h	Coefficient Index [15:0]	0's for all nodes

Codec Response for All NID

Bit	Description
31:0	0's

8.9. Verb – Get Processing Coefficient (Verb ID=Ch)

Table 42. Verb – Get Processing Coefficient (Verb ID=Ch)

Get Command Format				Codec Response Format
Bit [31:28]	Bit [27:20]	Bit [19:16]	Payload Bit [15:0]	Response [31:0]
CAd=X	Node ID=Xh	Verb ID=Ch	0's	Processing Coefficient [15:0]

Codec Response for NID=20h (Realtek Defined Hidden Registers)

Bit	Description
31:16	Reserved. Read as 0's
15:0	Processing Coefficient

Codec Response for Other NID

Bit	Description
31:0	Not supported (returns 00000000h)

8.10. Verb – Set Processing Coefficient (Verb ID=4h)

Table 43. Verb – Set Processing Coefficient (Verb ID=4h)

Set Command Format				Codec Response Format
Bit [31:28]	Bit [27:20]	Bit [19:16]	Payload Bit [15:0]	Response [31:0]
CAd=X	Node ID=Xh	Verb ID=4h	Coefficient [15:0]	0's for all nodes

Codec Response for All NID

Bit	Description
31:0	0's

8.11. Verb – Get Amplifier Gain (Verb ID=Bh)

This verb is used to get gain/attenuation settings from each widget.

Table 44. Verb – Get Amplifier Gain (Verb ID=Bh)

Get Command Format				Codec Response Format
Bit [31:28]	Bit [27:20]	Bit [19:16]	Payload Bit [15:0]	Response [31:0]
CAd=X	Node ID=Xh	Verb ID=Bh	'Get' payload [15:0]	Bit[7:0] are responsible for 'Get'

'Get' Payload in Command Bit[15:0]

Bit	Description
15	Get Input/Output 0: Input amplifier gain is requested 1: Output amplifier gain is requested
14	Reserved. Read as 0
13	Get Left/Right 0: Right amplifier gain is requested 1: Left amplifier gain is requested
12:4	Reserved. Read as 0's
3:0	Index[3:0] for Input Source Select amplifier for this converter. If a widget has no multiple input sources, the index will be ignored.

Codec Response for NID=07h (MIC ADC), 08h(LINE ADC) and 09h (MIX ADC)

Bit	Description
31:8	0's
7	Bit-15 is 0 in 'Get Amplifier Gain': Input Amplifier Mute, 0: Unmute, 1: Mute Bit-15 is 1 in 'Get Amplifier Gain': Read as 0 (No Output Amplifier Mute)
6:0	Bit-15 is 0 in 'Get Amplifier Gain': Input Amplifier Gain [6:0]. 7-bit step value (0~35) specifying the volume from 0B~+35dB in 1dB steps Bit-15 is 1 in 'Get Amplifier Gain': Read as 0's (No Output Amplifier Mute)

Codec Response for NID=0Bh (MIXER Sum Widget)

Bit	Description
31:8	0's
7	Bit-15 is 0 in 'Get Amplifier Gain': Input Amplifier Mute, 0: Unmute 1: Mute (Default for all Index). Bit-15 is 1 in 'Get Amplifier Gain': Read as 0 (No Output Amplifier Mute)
6:0	Bit-15 is 0 in 'Get Amplifier Gain': Input Amplifier Gain [6:0]. 7-bit step value (0~65) specifying the volume from -35dB~+30dB in 1dB steps Bit-15 is 1 in 'Get Amplifier Gain': Read as 0's (No Output Amplifier Mute)

Codec Response for NID=0Ch~0Fh (Sum Widget: Front, Surr, Cen/Lfe, SIDESURR Sum)

Bit	Description
31:8	0's
7	Bit-15 is 0 in 'Get Amplifier Gain': Input Amplifier Mute, 0: Unmute, 1: Mute Bit-15 is 1 in 'Get Amplifier Gain': Read as 0 (No Output Amplifier Mute)
6:0	Bit-15 is 0 in 'Get Amplifier Gain': Read as 0. (No Input Amplifier Gain) Bit-15 is 1 in 'Get Amplifier Gain': Output Amplifier Gain [6:0]. 7-bit step value (0~64) specifying the volume from -64dB~0dB in 1dB steps

Codec Response for NID=14h~1Bh (Pin Complex: Front/Surr/CenLfe/SIDESURR/MIC1/MIC2/LINE1/LINE2)

Bit	Description
31:8	0's
7	Bit-15 is 0 in 'Get Amplifier Gain': Read as 0 Bit-15 is 1 in 'Get Amplifier Gain': Output Amplifier Mute, 0: Unmute, 1: Mute (NID=14h~1Bh,Default=1)
6:0	Bit-15 is 0 in 'Get Amplifier Gain': Read as 0's Bit-15 is 1 in 'Get Amplifier Gain': Read as 0 (No Output Amplifier Gain)

Codec Response to Other NID

Bit	Description
31:0	Not supported (returns 00000000h)

8.12. Verb – Set Amplifier Gain (Verb ID=3h)

This verb is used to set amplifier gain/attenuation in each widget.

Table 45. Verb – Set Amplifier Gain (Verb ID=3h)

Set Command Format

Bit [31:28]	Bit [27:20]	Bit [19:8]	Payload Bit [7:0]
CAd=X	Node ID=Xh	Verb ID=3h	'Set' payload [7:0]

Codec Response Format

Response [31:0]
0's for all nodes

'Set' Payload in Command Bit[15:0]

Bit	Description
15	Set Output Amp 1 indicates output amplifier gain will be set
14	Set Input Amp 1 indicates input amplifier gain will be set
13	Set Left Amp 1 indicates left amplifier gain will be set
12	Set Right Amp 1 indicates right amplifier gain will be set
11:8	Index Offset (for input amplifiers on Sum widgets and Selector Widgets) 5 bits index offset in connection list is used to select which input gain will be set on a Sum or a Selector widget. The index is ignored if the node is not a Sum or a Selector widget, or the 'Set Input Amp' bit is not set
7	Mute 0: Unmute 1: Mute ($-\infty$ gain)
6:0	Gain[6:0] A 7-bit step value specifying the amplifier gain

8.13. Verb – Get Converter Format (Verb ID=Ah)

Table 46. Verb – Get Converter Format (Verb ID=Ah)

Get Command Format

Bit [31:28]	Bit [27:20]	Bit [19:16]	Payload Bit [15:0]
CAd=X	Node ID=Xh	Verb ID=Ah	0's

Codec Response Format

Response [31:0]
Bit[15:0] are converter format

Codec Response for NID=02h~06h (Output Converters: Front, Surr, Cen/Lfe, Side-Surr DAC, and S/PDIF-OUT).

Codec Response for NID=07h~0Ah (Input Converters: MIC, LINE, UIO1, UIO2, MIX DAC, and S/PDIF-IN)

Bit	Description
31:16	Reserved. Read as 0
15	Stream Type (TYPE) 0: PCM 1: Non-PCM
14	Sample Base Rate (BASE) 0: 48kHz 1: 44.1kHz
13:11	Sample Base Rate Multiple (MULT) 000b: *1 001b: *2 010b: *3 011b: *4 100b~111b: Reserved
10:8	Sample Base Rate Divisor (DIV) 000b: /1 001b: /2 010b: /3 011b: /4 100b: /5 101b: /6 110b: /7 111b: /8 Not supported. Always read as 000b
7	Reserved. Read as 0
6:4	Bits per Sample (BITS) 000b: 8 bits 001b: 16 bits 010b: 20 bits 011b: 24 bits 100b: 32 bits 101b~111b: Reserved
3:0	Number of Channels. 0: 1 channel 1: 2 channels 2: 3 channels 15: 16 channels

Codec Response for other NID

Bit	Description
31:0	Not supported (returns 00000000h)

8.14. Verb – Set Converter Format (Verb ID=2h)

Table 47. Verb – Set Converter Format (Verb ID=2h)

Set Command Format

Bit [31:28]	Bit [27:20]	Bit [19:16]	Payload Bit [15:0]
CAd=X	Node ID=Xh	Verb ID=2h	Set format [15:0]

Codec Response Format

Response [31:0]
0's for all nodes

'Set' Payload in Command Bit[15:0]

Bit	Description
31:16	Reserved. Read as 0
15	Stream Type (TYPE) 0: PCM 1: Non-PCM
14	Sample Base Rate (BASE) 0: 48kHz 1: 44.1kHz
13:11	Sample Base Rate Multiple (MULT) 000b: *1 001b: *2 010b: *3 011b: *4 100b~111b: Reserved
10:8	Sample Base Rate Divisor (DIV) 000b: /1 001b: /2 010b: /3 011b: /4 100b: /5 101b: /6 110b: /7 111b: /8
7	Reserved. Read as 0
6:4	Bits per Sample (BITS) 000b: 8 bits 001b: 16 bits 010b: 20 bits 011b: 24 bits 100b: 32 bits 101b~111b: Reserved
3:0	Number of Channels 0: 1 channel 1: 2 channels 2: 3 channels 15: 16 channels

8.15. Verb – Get Power State (Verb ID=F05h)

Table 48. Verb – Get Power State (Verb ID=F05h)

Get Command Format

Bit [31:28]	Bit [27:20]	Bit [19:8]	Payload Bit [7:0]
CAd=X	Node ID=Xh	Verb ID=Ah	0's

Codec Response Format

Response [31:0]
Power State [7:0]

Codec Response for NID=01h (Audio Function Group)

Bit	Description
31:6	Reserved. Read as 0's.
5:4	PS-Act. Actual Power State [1:0]. 00: Power state is D0 01: Power state is D1 10: Power state is D2 11: Power state is D3 PS-Act indicates the actual power state of the referenced node. For Audio Function Group nodes (NID=01h), PS-Act is always equal to PS-Set.
3:2	Reserved. Read as 0's.
1:0	PS-Set. Set Power State [1:0]. 00: Power state is D0 01: Power state is D1 10: Power state is D2 11: Power state is D3 PS-Set controls the current power setting of the referenced node.

Codec Response for NID=02h, 03h, 04h, and 05h (Front, Surr, Cen/Lfe and Side-Surr DACs).

Codec Response for NID=07h, 08h, and 09h (MIC, LINE and MIX ADCs)

Bit	Description
31:6	Reserved. Read as 0's
5:4	PS-Act. Actual Power State [1:0] 00: Power state is D0 01: Power state is D1 10: Power state is D2 11: Power state is D3 PS-Act indicates the actual power state of the referenced node. The actual power state of the referenced node is also controlled by Audio Function (NID=01h), the PS-Set setting of the referenced node is used to provide fine-grained power control
3:2	Reserved. Read as 0's
1:0	PS-Set. Set Power State [1:0] 00: Power state is D0 01: Power state is D1 10: Power state is D2 11: Power state is D3 PS-Set controls current power setting of referenced node

Codec Response for other NID

Bit	Description
31:0	Not supported (returns 00000000h)

8.16. Verb – Set Power State (Verb ID=705h)

Table 49. Verb – Set Power State (Verb ID=705h)

Set Command Format

Bit [31:28]	Bit [27:20]	Bit [19:8]	Payload Bit [7:0]
CAd=X	Node ID=Xh	Verb ID=705h	Power State [7:0]

Codec Response Format

Response [31:0]
0's for all nodes

'Power State' in Command Bit[7:0]

Bit	Description
7:6	Reserved. Read as 0's
5:4	PS-Act. Actual Power State [1:0] 00: Power state is D0 01: Power state is D1 10: Power state is D2 11: Power state is D3 PS-Act indicates the actual power state of the referenced node
3:2	Reserved. Read as 0's
1:0	PS-Set. Set Power State [1:0] 00: Power state is D0 01: Power state is D1 10: Power state is D2 11: Power state is D3

8.17. Verb – Get Converter Stream, Channel (Verb ID=F06h)

Table 50. Verb – Get Converter Stream, Channel (Verb ID=F06h)

Get Command Format

Bit [31:28]	Bit [27:20]	Bit [19:8]	Payload Bit [7:0]
CAd=X	Node ID=Xh	Verb ID=F06h	0's

Codec Response Format

Response [31:0]
Stream & Channel [7:0]

Codec Response for NID=02h~06h (Output Converters: Front, Surr, Cen/Lfe, SIDESURR DAC, and S/PDIF-OUT)

Codec Response for NID=07h~0Ah (Input Converters: MIC ADC, LINE ADC, MIX DAC, and S/PDIF-IN)

Bit	Description
31:8	Reserved. Read as 0's
7:4	Stream[3:0] The link stream used by the converter. 0000b is stream 0, 0001b is stream 1, etc.
3:0	Channel[3:0] The lowest channel used by the converter. A stereo converter will use the set channel n as well as n+1 for its left and right channel

Codec Response for other NID

Bit	Description
31:0	Not supported (returns 00000000h)

8.18. Verb – Set Converter Stream, Channel (Verb ID=706h)

Table 51. Verb – Set Converter Stream, Channel (Verb ID=706h)

Set Command Format				Codec Response Format
Bit [31:28]	Bit [27:20]	Bit [19:8]	Payload Bit [7:0]	Response [31:0]
CAd=X	Node ID=Xh	Verb ID=706h	Stream & Channel [7:0]	0's for all nodes

'Stream and Channel' in Command Bit[7:0]

Bit	Description
31:8	Reserved. Read as 0's
7:4	Set Stream[3:0] The link stream used by the converter. 0000b is stream 0, 0001b is stream 1, etc.
1:0	Set Channel[3:0] The lowest channel used by the converter. A stereo converter will use the set channel n as well as n+1 for its left and right channel

Note: This verb assigns stream and channel for output converters (NID=02h~06h) and input converters (NID=07h~0Ah). Other widgets will ignore this verb.

8.19. Verb – Get Pin Widget Control (Verb ID=F07h)

Table 52. Verb – Get Pin Widget Control (Verb ID=F07h)

Get Command Format				Codec Response Format
Bit [31:28]	Bit [27:20]	Bit [19:8]	Payload Bit [7:0]	Response [31:0]
CAd=X	Node ID=Xh	Verb ID=F07h	0's	Pin Control [7:0]

Codec Response for NID=14h~1Bh

(Pin Complex: FRONT, SURR, CENLFE, SIDESURR, MIC1, MIC2, LINE1, and LINE2)

Bit	Description
31:1	Reserved. Read as 0's
7	H-Phn Enable (Headphone Amplifier Enable, EN_AMP for a I/O unit) 0: Disabled 1: Enabled
6	Out Enable (Output Buffet Enable, EN_OBUF for a I/O unit) 0: Disabled 1: Enabled
5	In Enable (Input Buffer Enable, EN_IBUF for a I/O unit) 0: Disabled 1: Enabled
4:	Reserved

Codec Response for NID=14h~1Bh

(Pin Complex: FRONT, SURR, CENLFE, SIDESURR, MIC1, MIC2, LINE1, and LINE2)

Bit	Description
2:0	VrefEn (Vrefout Enable Control) 000b: Hi-Z (Disabled) 001b: 50% of AVDD 010b: Ground 0V 011b: Reserved 100b: 80% of AVDD 101b: 100% of AVDD 110b~111b: Reserved

Codec Response for other NID

Bit	Description
31:0	Not supported (returns 00000000h)

8.20. Verb – Set Pin Widget Control (Verb ID=707h)

Table 53. Verb – Set Pin Widget Control (Verb ID=707h)

Set Command Format

Bit [31:28]	Bit [27:20]	Bit [19:8]	Payload Bit [7:0]
CAd=X	Node ID=Xh	Verb ID=707h	Pin Control [7:0]

Codec Response Format

Response [31:0]
0's for all nodes

'Pin Control' in command [7:0]: (Pin: FRONT, SURR, CENLFE, SIDESURR, MIC1, MIC2, LINE1, and LINE2)

Bit	Description
31:1	Reserved. Read as 0's
7	H-Phn Enable 0: Disabled 1: Enabled
6	Out Enable 0: Disabled 1: Enabled
5	In Enable (Input Buffer Enable, EN_IBUF for a I/O unit) 0: Disabled 1: Enabled
4:	Reserved

'Pin Control' in command [7:0]: (Pin: FRONT, SURR, CENLFE, SIDESURR, MIC1, MIC2, LINE1, and LINE2)

Bit	Description
2:0	VrefEn (Vrefout Enable Control) 000b: Hi-Z (Disabled) 001b: 50% of AVDD 010b: Ground 0V 011b: Reserved 100b: 80% of AVDD 101b: 100% of AVDD 110b~111b: Reserved

8.21. Verb – Get Unsolicited Response Control (Verb ID=F08h)

Determines whether a widget is enabled to send an unsolicited response. An HDA codec can use an unsolicited response to inform software of a real time event.

Table 54. Verb – Get Unsolicited Response Control (Verb ID=F08h)

Get Command Format				Codec Response Format	
Bit [31:28]	Bit [27:20]	Bit [19:8]	Payload Bit [7:0]	Response [31:0]	
CAd=X	Node ID=Xh	Verb ID= F08h	0's	32-bit Response	

Codec Response for NID=0Ah (S/PDIF-IN), 14h~1Bh (Pin Complex), NID=01h for GPIO

Bit	Description
31:8	Reserved. Read as 0's
7	Unsolicited Response 0: Disabled 1: Enabled
6:4	Reserved. Read as 0's
3:0	Assigned Tag for Unsolicited Response The tag [3:0] is assigned by software to determine which widget generates unsolicited responses

Codec Response for other NID

Bit	Description
31:0	Not supported (returns 00000000h)

8.22. Verb – Set Unsolicited Response Control (Verb ID=708h)

Enable a widget to generate an unsolicited response.

Table 55. Verb – Set Unsolicited Response Control (Verb ID=708h)

Set Command Format				Codec Response Format
Bit [31:28]	Bit [27:20]	Bit [19:8]	Payload Bit [7:0]	Response [31:0]
CAd=X	Node ID=Xh	Verb ID=708h	EnableUnsol [7:0]	0's for all nodes

'EnableUnsol' in Command Bit [7:0]

Bit	Description
31:8	Reserved. Read as 0's
7	Unsolicited Response 0: Disable 1: Enable
6:4	Reserved. Read as 0's
3:0	Tag for Unsolicited Response. Tag[3:0] is defined by software to assign a 4-bit tag for nodes that are enabled to generate unsolicited responses.

8.23. Verb – Get Pin Sense (Verb ID=F09h)

Returns the Presence Detect status and the impedance of a device attached to the pin.

Table 56. Verb – Get Pin Sense (Verb ID=F09h)

Get Command Format				Codec Response Format
Bit [31:28]	Bit [27:20]	Bit [19:8]	Payload Bit [7:0]	Response [31:0]
CAd=X	Node ID=Xh	Verb ID= F09h	0's	32-bit Response

Codec Response for NID=14h~1Bh (Pin Complex)

Bit	Description
31	Presence Detect Status 0: No device is attached to the pin 1: Device is attached to the pin
30:0	Measured Impedance 0x7FFFFFFF or 0xFFFFFFFF: Valid sense is not available or busy

Codec Response for other NID

Bit	Description
31:0	Not supported (returns 00000000h)

8.24. Verb – Execute Pin Sense (Verb ID=709h)

Table 57. Verb – Execute Pin Sense (Verb ID=709h)

Command Format				Codec Response Format
Bit [31:28]	Bit [27:20]	Bit [19:8]	Payload Bit [7:0]	Response [31:0]
CAd=X	Node ID=Xh	Verb ID= 709h	Right Channel[0]	0's for all nodes

'Payload' in Command Bit[7:0]

Bit	Description
7:1	Reserved. Read as 0's
0	Right (Ring) Channel Select 0: Sense Left channel (Tip) 1: Sense Right channel (Ring)

8.25. Verb – Get Configuration Default (Verb ID=F1Ch)

Read the 32-bit sticky register for each Pin Widget configured by software.

Table 58. Verb – Get Configuration Default (Verb ID=F1Ch)

Get Command Format				Codec Response Format
Bit [31:28]	Bit [27:20]	Bit [19:8]	Payload Bit [7:0]	Response [31:0]
CAd=X	Node ID=Xh	Verb ID= F1Ch	0's	32-bit Response

Codec Response for NID=14h, 15h, 16h, 17h, 18h, 19h, 1Ah, 1Bh, 1Eh, and 1Fh

Bit	Description
31:0	32-bit configuration information for each pin widget

Note: The 32-bit registers for each Pin Widget are sticky and will not be reset by a LINK Reset or Codec Reset (Function Reset Verb).

8.26. Verb – Set Configuration Default Bytes 0, 1, 2, 3 (Verb ID=71Ch/71Dh/71Eh/71Fh for Bytes 0, 1, 2, 3)

The BIOS can use this verb to figure out the default conditions for the Pin Widgets 14h~1Bh and 1Eh~1Fh such as placement and expected default device.

**Table 59. Verb – Set Configuration Default Bytes 0, 1, 2, 3
(Verb ID=71Ch/71Dh/71Eh/71Fh for Bytes 0, 1, 2, 3)**

Set Command Format				Codec Response Format	
Bit [31:28]	Bit [27:20]	Bit [19:8]	Payload Bit [7:0]	Response [31:0]	
CAd=X	Node ID=Xh	Verb ID=71Ch, 71Dh, 71Eh, 71Fh	Label [7:0]	0's for all nodes	

Note: Supported by Pin Widget NID=14h~1Bh, 1Eh and 1Fh. Other widgets will ignore this verb.

Codec Response for All NID

Bit	Description
31:0	0's

8.27. Verb – Get BEEP Generator (Verb ID=F0Ah)

Table 60. Verb – Get BEEP Generator (Verb ID= F0Ah)

Get Command Format				Codec Response Format	
Bit [31:28]	Bit [27:20]	Bit [19:8]	Payload Bit [7:0]	Response [31:0]	
CAd=X	Node ID=Xh	Verb ID= F1Bh	0's	Divider [7:0]	

'Response' for NID=01h (Audio Function Group)

Bit	Description
31:8	Reserved.
7:0	Frequency Divider, F[7:0] The internal BEEP frequency is the result of dividing the 48kHz clock by 4 times the number specified in F[7:0] The lowest tone is $48\text{kHz}/(255*4)=47\text{Hz}$ The highest tone is $48\text{kHz}/(1*4)=12\text{kHz}$ A value of 00h in F[7:0] disables internal BEEP generator and allows external PCBEEP input

Codec Response for Other NID

Bit	Description
31:0	0's

8.28. Verb – Set BEEP Generator (Verb ID=70Ah)

Table 61. Verb – Set BEEP Generator (Verb ID= 70Ah)

Set Command Format

Bit [31:28]	Bit [27:20]	Bit [19:8]	Payload Bit [7:0]
CAd=X	Node ID=Xh	Verb ID=71Bh	Divider [7:0]

Codec Response Format

Response [31:0]
0's for all nodes

'Divider' in Set Command

Bit	Description
31:8	Reserved
7:0	Frequency Divider, F[7:0] The internal BEEP frequency is the result of dividing the 48kHz clock by 4 times the number specified in F[7:0] The lowest tone is $48\text{kHz}/(255*4)=47\text{Hz}$ The highest tone is $48\text{kHz}/(1*4)=12\text{kHz}$ A value of 00h in F[7:0] disables the internal BEEP generator and allows external PCBEEP input

Note: All nodes except Audio Function Group (NID=01h) will ignore this verb.

Codec Response for All NID

Bit	Description
31:0	0's

8.29. Verb – Get GPIO Data (Verb ID= F15h)

Table 62. Verb – Get GPIO Data (Verb ID= F15h)

Get Command Format

Bit [31:28]	Bit [27:20]	Bit [19:8]	Payload Bit [7:0]
CAd=X	Node ID=Xh	Verb ID=F15h	0's

Codec Response Format

Response [31:0]
32-bit Response

Codec Response for NID=01h (Audio Function Group)

Bit	Description
31:8	Reserved
7:2	GPIO[7:2] Data. Not supported
1:0	GPIO[1:0] Data The value written (output) or sensed (input) on the corresponding pin if it is enabled

Codec Response for Other NID

Bit	Description
31:0	0's

8.30. Verb – Set GPIO Data (Verb ID= 715h)

Table 63. Verb – Set GPIO Data (Verb ID= 715h)

Set Command Format

Bit [31:28]	Bit [27:20]	Bit [19:8]	Payload Bit [7:0]
CAd=X	Node ID=Xh	Verb ID=715h	Data [7:0]

Codec Response Format

Response [31:0]
0's for all nodes

'Data' in Set command for NID=01h (Audio Function Group)

Bit	Description
31:8	Reserved
7:2	GPIO[7:2] output Data. Not supported
1:0	GPIO[1:0] Output Data The value written determines the value driven on a pin that is configured as an output pin

Codec Response for All NID

Bit	Description
31:0	0's

8.31. Verb – Get GPIO Enable Mask (Verb ID=F16h)

Table 64. Verb – Get GPIO Enable Mask (Verb ID= F16h)

Get Command Format

Bit [31:28]	Bit [27:20]	Bit [19:8]	Payload Bit [7:0]
CAd=X	Node ID=Xh	Verb ID=F16h	0's

Codec Response Format

Response [31:0]
EnableMask [7:0]

Codec Response for NID=01h (Audio Function Group)

Bit	Description
31:8	Reserved
7:2	Reserved
1:0	GPIO[1:0] Enable mask 0: The corresponding GPIO pin is disabled and is in Hi-Z state 1: The corresponding GPIO pin is enabled. Its behavior is determined by the GPIO direction control

Note: All nodes except Audio Function Group (NID=01h) will ignore this verb.

Codec Response for Other NID

Bit	Description
31:0	0's

8.32. Verb – Set GPIO Enable Mask (Verb ID=716h)

Table 65. Verb – Set GPIO Enable Mask (Verb ID=716h)

Set Command Format

Bit [31:28]	Bit [27:20]	Bit [19:8]	Payload Bit [7:0]
CAd=X	Node ID=Xh	Verb ID=716h	Enable Mask [7:0]

Codec Response Format

Response [31:0]
0's for all nodes

Codec Response for NID=01h (Audio Function Group)

Bit	Description
31:8	Reserved
7:2	GPIO[7:2] Enable Mask. Not supported
1:0	GPIO[1:0] Enable Mask 0: The corresponding GPIO pin is disabled and is in Hi-Z state 1: The corresponding GPIO pin is enabled. Its behavior is determined by the GPIO direction control

Note: All nodes except Audio Function Group (NID=01h) will ignore this verb.

Codec Response for All NID

Bit	Description
31:0	0's

8.33. Verb – Get GPIO Direction (Verb ID=F17h)

Table 66. Verb – Get GPIO Direction (Verb ID=F17h)

Get Command Format

Bit [31:28]	Bit [27:20]	Bit [19:8]	Payload Bit [7:0]
CAd=X	Node ID=Xh	Verb ID=F17h	0's

Codec Response Format

Response [31:0]
Direction [7:0]

Codec Response for NID=01h (Audio Function Group)

Bit	Description
31:8	Reserved
7:2	GPIO[7:2] Direction Control. Not supported
1:0	GPIO[1:0] Direction Control 0: The corresponding GPIO pin is configured as an input 1: The corresponding GPIO pin is configured as an output

Note: All nodes except Audio Function Group (NID=01h) will ignore this verb.

Codec Response for Other NID

Bit	Description
31:0	0's

8.34. Verb – Set GPIO Direction (Verb ID=717h)

Table 67. Verb – Set GPIO Direction (Verb ID=717h)

Set Command Format				Codec Response Format
Bit [31:28]	Bit [27:20]	Bit [19:8]	Payload Bit [7:0]	Response [31:0]
CAd=X	Node ID=Xh	Verb ID=717h	Direction [7:0]	0's for all nodes

Codec Response for NID=01h (Audio Function Group)

Bit	Description
31:8	Reserved
7:2	GPIO[7:2] Direction Control. Not supported
1:0	GPIO[1:0] Direction Control 0: The corresponding GPIO pin is configured as an input 1: The corresponding GPIO pin is configured as an output

Note: All nodes except Audio Function Group (NID=01h) will ignore this verb.

Codec Response for Other NID

Bit	Description
31:0	0's

8.35. Verb – Get GPIO Unsolicited Response Enable Mask (Verb ID=F19h)

Table 68. Verb – Get GPIO Unsolicited Response Enable Mask (Verb ID=F19h)

Get Command Format				Codec Response Format
Bit [31:28]	Bit [27:20]	Bit [19:8]	Payload Bit [7:0]	Response [31:0]
CAd=X	Node ID=Xh	Verb ID=F19h	0's	UnsolEnable [7:0]

Codec Response for NID=01h (Audio Function Group)

Bit	Description
31:8	Reserved
7:2	GPIO[7:2] Unsolicited Enable Mask. Not supported
1:0	GPIO[1:0] Unsolicited Enable mask 0: Unsolicited response will not be sent on link 1: Unsolicited response will be sent on link when state of corresponding GPIO has been changed

Note: All nodes except Audio Function Group (NID=01h) will ignore this verb.

Codec Response for Other NID

Bit	Description
31:0	0's

8.36. Verb – Set GPIO Unsolicited Response Enable Mask (Verb ID=719h)

Table 69. Verb – Set GPIO Unsolicited Response Enable Mask (Verb ID=719h)

Set Command Format				Codec Response Format
Bit [31:28]	Bit [27:20]	Bit [19:8]	Payload Bit [7:0]	Response [31:0]
CAd=X	Node ID=Xh	Verb ID=719h	UnsolEnable [7:0]	0's for all nodes

Codec Response for NID=01h (Audio Function Group)

Bit	Description
31:8	Reserved
7:2	GPIO[7:2] Unsolicited Enable Mask. Not supported
1:0	GPIO[1:0] Unsolicited Enable Mask 0: Unsolicited response will not be sent on link 1: Unsolicited response will be sent on link when state of corresponding GPIO has been changed

Note 1: All nodes except the Audio Function Group (NID=01h) will ignore this verb.

Note 2: The unsolicited response of corresponding GPIO is enabled when it's 'Enable Mask' and Verb- 'Unsolicited Response' for NID=01h are enabled.

Codec Response for Other NID

Bit	Description
31:0	0's

8.37. Verb – Function Reset (Verb ID=7FFh)

Table 70. Verb – Function Reset (Verb ID=7FFh)

Command Format (NID=01H)				Codec Response Format
Bit [31:28]	Bit [27:20]	Bit [19:8]	Payload Bit [7:0]	Response [31:0]
CAd=X	Node ID=01h	Verb ID=7FFh	0's	0's

Codec Response

Bit	Description
31:0	Reserved. Read as 0's

Note: The Function Reset command causes all widgets to return to their power-on default state.

8.38. Verb – Get Digital Converter Control 1 & Control 2 (Verb ID= F0Dh, F0Eh)

Table 71. Verb – Get Digital Converter Control 1 & Control 2 (Verb ID= F0Dh, F0Eh)

Get Command Format				Codec Response Format
Bit [31:28]	Bit [27:20]	Bit [19:8]	Payload Bit [7:0]	Response [31:0]
CAd=X	Node ID=Xh	Verb ID=F0Dh/ F0Eh	0's	Bit[31:16]=0's, Bit[15:0] are SIC bit

NID=06h (S/PDIF-OUT) Response to 'Get verb' – F0Dh (Control 1 for SIC bit[15:0]).

NID=06h (S/PDIF-OUT) Response to 'Get verb' – F0Eh (Control 2 for SIC bit[15:0])

Bit	Description – SIC (S/PDIF IEC Control) Bit[7:0]
31:16	Read as 0's
15	Reserved. Read as 0's
14:8	CC[6:0] (Category Code)
7	LEVEL (Generation Level)
6	PRO (Professional or Consumer format) 0: Consumer format 1: Professional format
5	/AUDIO (Non-Audio Data type) 0: PCM data 1: AC3 or other digital non-audio data
4	COPY (Copyright) 0: Asserted 1: Not asserted
3	PRE (Pre-emphasis) 0: None 1: Filter pre-emphasis is 50/15 microseconds
2	VCFG for Validity Control (control V bit and data in Sub-Frame)
1	V for Validity Control (control V bit and data in Sub-Frame)
0	Digital Enable. DigEn 0: OFF 1: ON

NID=0Ah (S/PDIF-IN) Response to 'Get verb (F0Dh)'

NID=0Ah (S/PDIF-IN) Response to 'Get verb (F0Eh)'

Bit	Description (a part of S/PDIF-IN Channel Status)
31:16	Reserved. Read as 0's
15	Reserved. Read as 0's
14:8	CC[6:0] (Category Code)
7	LEVEL (Generation Level)
6	PRO (Professional or Consumer format) 0: Consumer format 1: Professional format

NID=0Ah (S/PDIF-IN) Response to ‘Get verb (F0Dh)’

NID=0Ah (S/PDIF-IN) Response to ‘Get verb (F0Eh)’

Bit	Description (a part of S/PDIF-IN Channel Status)
5	/AUDIO (Non-Audio Data type) 0: PCM data 1: AC3 or other digital non-audio data
4	COPY (Copyright) 0: Asserted 1: Not asserted
3	PRE (Pre-emphasis) 0: None 1: Filter pre-emphasis is 50/15 microseconds
2	Reserved
1	In ‘V’alid. V bit in sub-frame of S/PDIF-IN 0: Data X and Y are valid, or S/PDIF-IN is not locked 1: At least one of data X and Y is invalid
0	Digital Enable. DigEn 0: OFF 1: ON

Codec Response for Other NID

Bit	Description
31:0	0’s

8.39. Verb – Set Digital Converter Control 1 & Control 2 (Verb ID=70Dh, 70Eh)

Table 72. Verb – Set Digital Converter Control 1 & Control 2 (Verb ID=70Dh, 70Eh)

Set Command Format (Verb ID=70Xh, Set Control 1)

Bit [31:28]	Bit [27:20]	Bit [19:8]	Payload Bit [7:0]
CAd=X	Node ID=Xh	Verb ID=70Dh	SIC [7:0]

Codec Response Format

Response [31:0]
0’s

Set Command Format (Verb ID=70Yh, Set Control 2)

Bit [31:28]	Bit [27:20]	Bit [19:8]	Payload Bit [7:0]
CAd=X	Node ID=Xh	Verb ID=70Eh	SIC [15:8]

Codec Response Format

Response [31:0]
0’s

'Payload' in Set Control 1 for NID=06h (S/PDIF-OUT)

Bit	Description – SIC (S/PDIF IEC Control) Bit[7:0]
7	LEVEL (Generation Level)
6	PRO (Professional or Consumer format) 0: Consumer format 1: Professional format
5	/AUDIO (Non-Audio Data type) 0: PCM data 1: AC3 or other digital non-audio data
4	COPY (Copyright) 0: Asserted 1: Not asserted
3	PRE (Pre-emphasis) 0: None 1: Filter pre-emphasis is 50/15 microseconds
2	VCFG for Validity Control (control V bit and data in Sub-Frame)
1	V for Validity Control (control V bit and data in Sub-Frame)
0	Digital Enable. DigEn 0: OFF 1: ON

'Payload' in Set Control 2 for NID=06h (S/PDIF-OUT)

Bit	Description – SIC (S/PDIF IEC Control) Bit[7:0]
7	Reserved. Read as 0's
6:0	CC[6:0] (Category Code)

'Payload' in Set Control 1 for NID=0Ah (S/PDIF-IN)

Bit	Description – SIC (S/PDIF IEC Control) Bit[7:0]
7:1	Reserved
0	Digital Enable. DigEn 0: OFF 1: ON

'Payload' in Set Control 2 for NID=0Ah (S/PDIF-IN)

Bit	Description – SIC (S/PDIF IEC Control) Bit[7:0]
7:0	Reserved. Read as 0's

Note: Other widgets will ignore this verb.

8.40. Get/Set Volume Knob Widget (NID=21h) (Verb ID= F0Fh/70Fh)

Table 73. Get/Set Volume Knob Widget (NID=21h) (Verb ID= F0Fh/70Fh)

Get Command Format				Codec Response Format
Bit [31:28]	Bit [27:20]	Bit [19:8]	Payload Bit [7:0]	Response [31:0]
CAd=X	Node ID=Xh	Verb ID=F0Fh	0's	Bit[31:8]=0's, Bit[7:0] is volume

Codec Response for NID=21h (Volume Knob Widget)

Bit	Description
31:8	Reserved
7	Direct 0: The volume generated by an external HW volume control will be sent by unsolicited response. Software is responsible for programming the amplifier appropriately 1: The volume generated by an external HW volume control will directly affect amplifier volume
6:0	Volume in steps

Set Command Format (Verb ID=70Yh, Set Control 2)

Set Command Format (Verb ID=70Yh, Set Control 2)				Codec Response Format
Bit [31:28]	Bit [27:20]	Bit [19:8]	Payload Bit [7:0]	Response [31:0]
CAd=X	Node ID=Xh	Verb ID=70Fh	Bit[7] is 'Direct' control	0's

'Payload' in Set Command for NID=21h (Volume Knob Widget)

Bit	Description
31:8	Reserved
7	Direct 0: The volume generated by an external HW volume control will be sent by unsolicited response. Software is responsible for programming the amplifier appropriately 1: The volume generated by an external HW volume control will directly affect amplifier volume
6:0	Reserved

Note: Other nodes will ignore this verb.

8.41. Verb – Get Subsystem ID [31:0] (Verb ID=F20h/F21h/D22h/F23h)

Table 74. Verb – Get Subsystem ID [31:0] (Verb ID=F20h/F21h/F22h/F23h)

Get Command Format				Codec Response Format
Bit [31:28]	Bit [27:20]	Bit [19:8]	Payload Bit [7:0]	Response [31:0]
CAd = X	Node ID=01h	Verb ID=F20h	0s	32-bit Response

Codec Response for NID=01h

Bit	Description
31:16	Subsystem ID (Default=0880h)
15:8	Reserved. Read as 0s
7:0	Assembly ID. Read as 0

Note: Not supported by the ALC880, ALC880D, ALC880-LF, and ALC880D-LF.

8.42. Verb – Set Subsystem ID [31:0] (Verb ID=723h, 722h, 721h, 720h)

**Table 75. Verb – Set Subsystem ID [31:0]
(Verb ID=723h for [31:24], 722h for [23:16], 721h for [15:8], 720h for [7:0])**

Set Command Format				Codec Response Format
Bit [31:28]	Bit [27:20]	Bit [19:8]	Payload Bit [7:0]	Response [31:0]
CAd = X	Node ID=01h	Verb ID=723h, 722h, 721h, 720h	Label [7:0]	0s for all nodes

Note1: Supported by Audio Function Group NID=01h, other widgets will ignore this verb.

Note2: The BIOS can use these verbs to set the customized subsystem ID for Audio Function Group (NID=01h).

Note3: Not supported by the ALC880, ALC880D, ALC880-LF, and ALC880D-LF.

Codec Response for all NID

Bit	Description
31:0	0s

9. Electrical Characteristics

9.1. DC Characteristics

9.1.1. Absolute Maximum Ratings

Table 76. Absolute Maximum Ratings

Parameter	Symbol	Minimum	Typical	Maximum	Units
Power Supplies:					
Digital	DVDD	3.0	3.3	3.6	V
Analog	AVDD	3.0	5.0	5.5	V
Ambient Operating Temperature	Ta	0	-	+70	°C
Storage Temperature	Ts			+125	°C
ESD (Electrostatic Discharge)					
		Susceptibility Voltage			
All Pins		4500V			

9.1.2. Threshold Voltage

DVDD= 3.3V±5%, T_{ambient}=25°C, with 50pF external load.

Table 77. Threshold Voltage

Parameter	Symbol	Minimum	Typical	Maximum	Units
Input Voltage Range	V _{in}	-0.30	-	DVDD +0.30	V
Low Level Input Voltage (BCLK, RST#, SDO, SYNC, SDI)	V _{IL}	-	-	0.30*DVDD (1.00)	V
High Level Input Voltage (BCLK, RST#, SDO, SYNC, SDI)	V _{IH}	0.65* DVDD (2.00)	-	-	V
Low Level Input Voltage (S/PDIF-IN/OUT, GPIOs)	V _{IL}	-	-	0.44*DVDD (1.45)	V
High Level Input Voltage (S/PDIF-IN/OUT, GPIOs)	V _{IH}	0.56* DVDD (1.85)	-	-	V
High Level Output Voltage	V _{OH}	0.9*DVDD		-	V
Low Level Output Voltage	V _{OL}	-	-	0.1*DVDD	V
Input Leakage Current	-	-10	-	10	μA
Output Leakage Current (Hi-Z)	-	-10	-	10	μA
Output Buffer Drive Current	-	-	5	-	mA
Internal Pull Up Resistance	-	-	50k	100k	Ω

9.1.3. Digital Filter Characteristics

Table 78. Digital Filter Characteristics

Filter	Symbol	Minimum	Typical	Maximum	Units
ADC Lowpass Filter	Passband	0	-	19.2	kHz
	Stopband	28.8			kHz
	Stopband Rejection		-76.0		dB
	Passband Frequency Response		±0.20		dB
DAC Lowpass Filter	Passband	0	-	19.2	kHz
	Stopband	28.8			kHz
	Stopband Rejection		-78.5		dB
	Passband Frequency Response		±0.20		dB

9.1.4. S/PDIF Input/Output Characteristics

DVDD= 3.3V, T_{ambient}=25°C, with 75Ω external load.

Table 79. S/PDIF Input/Output Characteristics

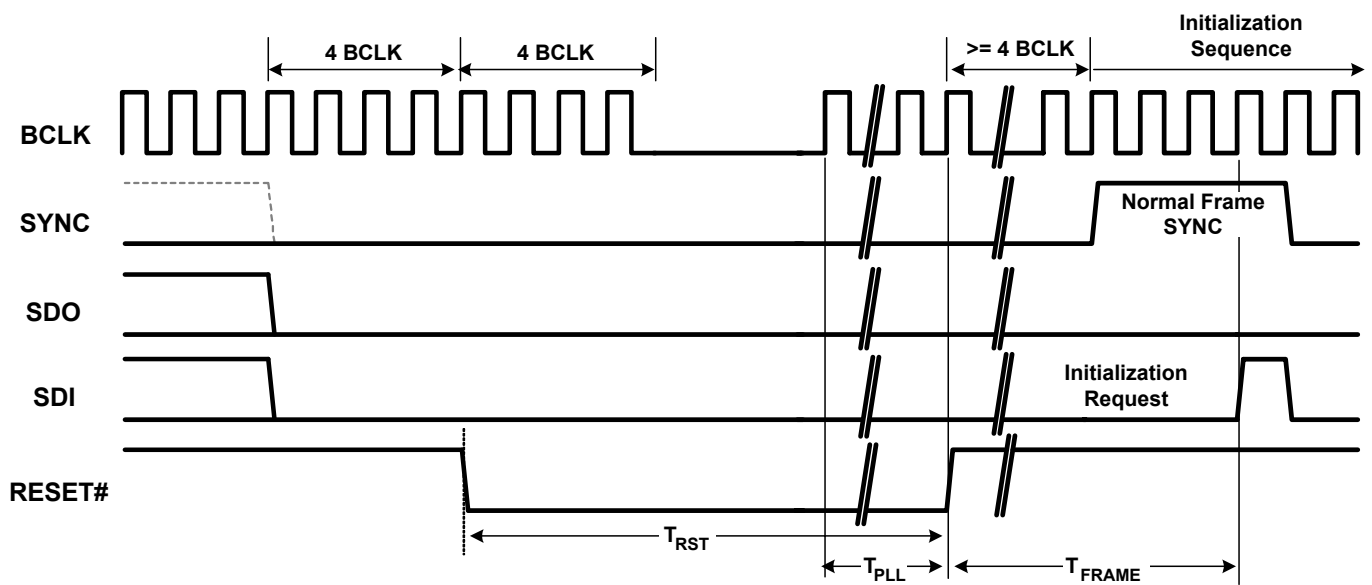
Parameter	Symbol	Minimum	Typical	Maximum	Units
S/PDIF-OUT High Level Output	V _{OH}	3.0	3.3	-	V
S/PDIF-OUT Low Level Output	V _{OL}	-	0	0.3	V
S/PDIF-IN High Level Input	V _{IH}	1.85	-	-	V
S/PDIF-IN Low Level Input	V _{IL}	-	-	1.45	V
S/PDIF-IN Bias Level	V _t	-	1.65	-	V

9.2. AC Characteristic

9.2.1. Link Reset and Initialization Timing

Table 80. Link Reset and Initialization Timing

Parameter	Symbol	Minimum	Typical	Maximum	Units
RESET# Active Low Pulse Width	T_{RST}	1.0	-	-	μs
RESET# Inactive to BCLK Startup delay for PLL ready time	T_{PLL}	20	-	-	μs
SDI Initialization Request	T_{FRAME}	-	-	1	Frame Time


Figure 15. Link Reset and Initialization Timing

9.2.2. Link Timing Parameters at the Codec

Table 81. Link Timing Parameters at the Codec

Parameter	Symbol	Minimum	Typical	Maximum	Units
BCLK Frequency		-	24.0	-	MHz
BCLK Period	T_{cycle}	-	41.67	-	ns
BCLK Jitter	T_{jitter}	-	-	2.0	ns
BCLK High Pulse Width	T_{high}	18.75 (45%)	-	22.91 (55%)	ns (%)
BCLK Low Pulse Width	T_{low}	18.75 (45%)	-	22.91 (55%)	ns (%)
SDO Setup Time at Both Rising and Falling Edge of BCLK	T_{setup}	2.1	-	-	ns
SDO Hold Time at Both Rising and Falling Edge of BCLK	T_{hold}	2.1	-	-	ns
SDI Valid Time After Rising Edge of BCLK (1: 50pF external load)	T_{tco}	-	7.5	8.0	ns
SDI Flight Time	T_{flight}	-	2.0	-	ns

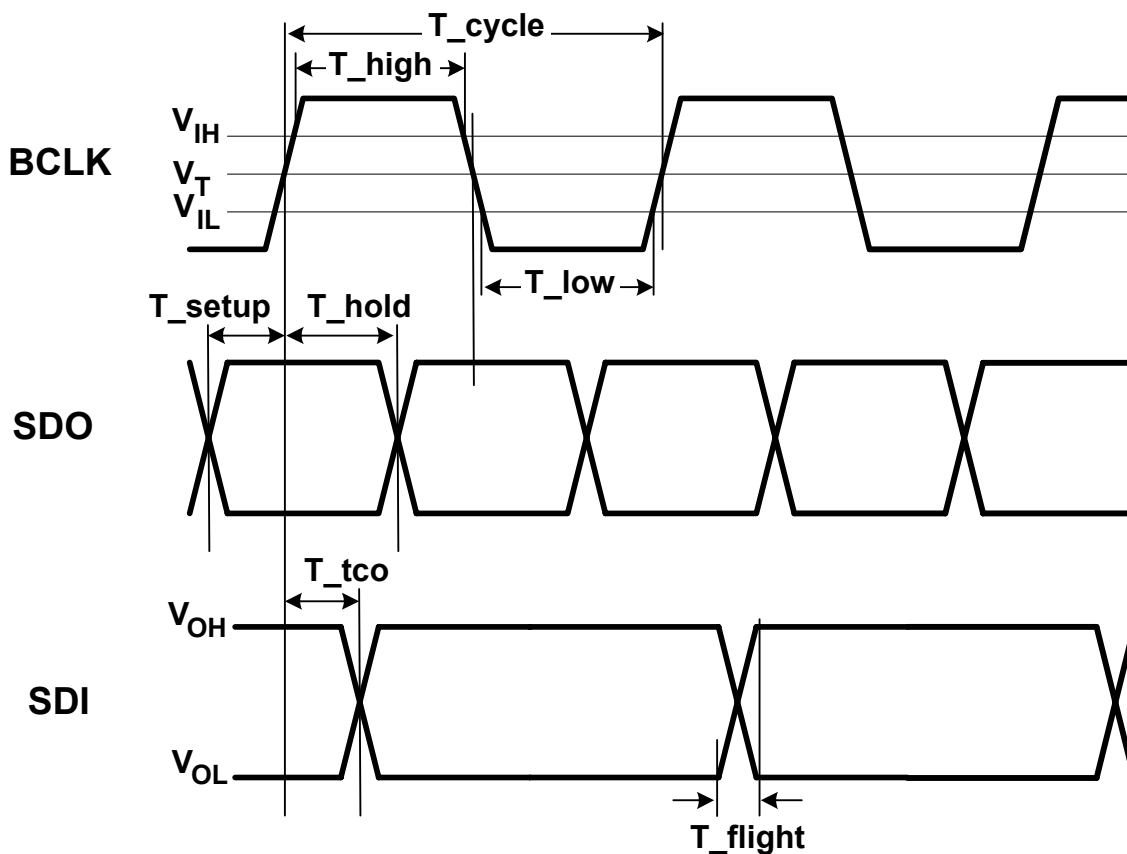


Figure 16. Link Signal Timing

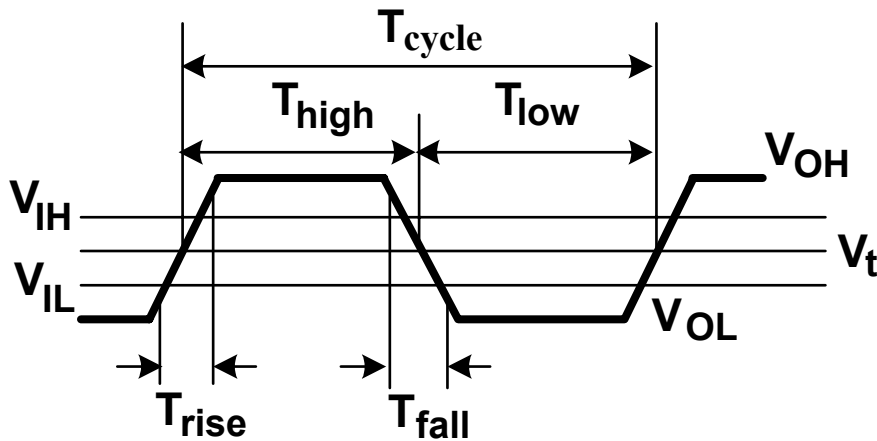
9.2.3. S/PDIF Output and Input Timing

Table 82. S/PDIF Output and Input Timing

Parameter	Symbol	Minimum	Typical	Maximum	Units
S/PDIF-OUT Frequency ^{*1}	-	-	6.144	-	MHz
S/PDIF-OUT Period ^{*1}	T_{cycle}	-	162.8	-	ns
S/PDIF-OUT Jitter	T_{jitter}	-	-	4	ns
S/PDIF-OUT High Level Width ^{*1}	T_{High}	78.1 (48%)	81.4 (50%)	84.6 (52%)	ns (%)
S/PDIF-OUT Low Level Width ^{*1}	T_{Low}	78.1 (48%)	81.4 (50%)	84.6 (52%)	ns (%)
S/PDIF-OUT Rising Time	T_{rise}	-	2.0	-	ns
S/PDIF-OUT Falling Time	T_{fall}	-	2.0	-	ns
S/PDIF-IN Period ^{*2}	T_{cycle}	-	162.8	-	ns
S/PDIF-IN Jitter	T_{jitter}	-	-	10	ns
S/PDIF-IN High Level Width ^{*2}	T_{High}	73.2 (45%)	81.4 (50%)	89.5 (55%)	ns (%)
S/PDIF-IN Low Level Width ^{*2}	T_{Low}	73.2 (45%)	81.4 (50%)	89.5 (55%)	ns (%)

^{*1}: Bit parameters for 48kHz sample rate of S/PDIF-OUT

^{*2}: Bit parameters for 48kHz sample rate of S/PDIF-IN


Figure 17. Input and Output Timing

9.2.4. Test Mode

Codec test mode and Automatic Test Equipment (ATE) mode are not supported.

9.3. Analog Performance

- Standard Test Conditions
- $T_{\text{ambient}}=25^{\circ}\text{C}$, DVDD=5.0 or 3.3V $\pm 5\%$, AVDD=5.0V $\pm 5\%$
 - 1kHz input sine wave; Sampling frequency=48kHz; 0dB=1Vrms
 - 10K Ω /50pF load; Test bench Characterization BW: 10Hz~22kHz, 0dB attenuation

Table 83. Analog Performance

Parameter	Min	Typ	Max	Units
Full Scale Input Voltage				
All Inputs (gain=0dB)	-	1.5	-	Vrms
All ADC	-	1.1	-	Vrms
Full Scale Output Voltage				
All DAC	-	1.1	1.4	Vrms
S/N (A Weighted)				
Analog Inputs to Outputs	-	95	100	dB FSA
All ADC	-	88	-	dB FSA
All DAC	-	95	-	dB FSA
THD+N				
Analog Inputs to Outputs	-	-90	-	dB FS
ADC	-	-80	-	dB FS
All DAC	-	-86	-	dB FS
Frequency Response				
Mixers	10	-	22,000	Hz
ADC, DAC	16	-	19,200	Hz
Power Supply Rejection	-	-40	-	dB
Total Out-of-Band Noise (28.8kHz~100kHz)	-	-60	-	dB
Amplifier Gain Step	-	1	-	dB
Crosstalk Between Input Channels	-	-80	-	dB
Input Impedance (gain=0dB)		64		K Ω
Output Impedance				
Amplified Output		1		Ω
Non-amplified Output		100		Ω
Digital Power Supply Current (normal operation)				
DVDD=3.3V	-	35	-	mA
Digital Power Supply Current (power down mode)				
DVDD=3.3V	-	-	600	μA
Analog Power Supply Current (normal operation)				
AVDD=5.0V/3.3V	-	68/52	-	mA
Analog Power Supply Current (power down mode)				
AVDD=5.0V/3.3V	-	-	600/400	μA
VREFOUTx Output Voltage	2.25	2.50	3.75	V
VREFOUTx Output Current		5		mA

10. System Connection & Application Circuit

10.1. Possible System Connection

The following figures illustrate possible system connections for desktop and mobile application.

10.1.1. Desktop Configuration

Dedicated analog jacks on the rear panel have 7.1 output channels, LINE-IN, and MIC-IN inputs. Two analog jacks on the front panel could support re-tasking.

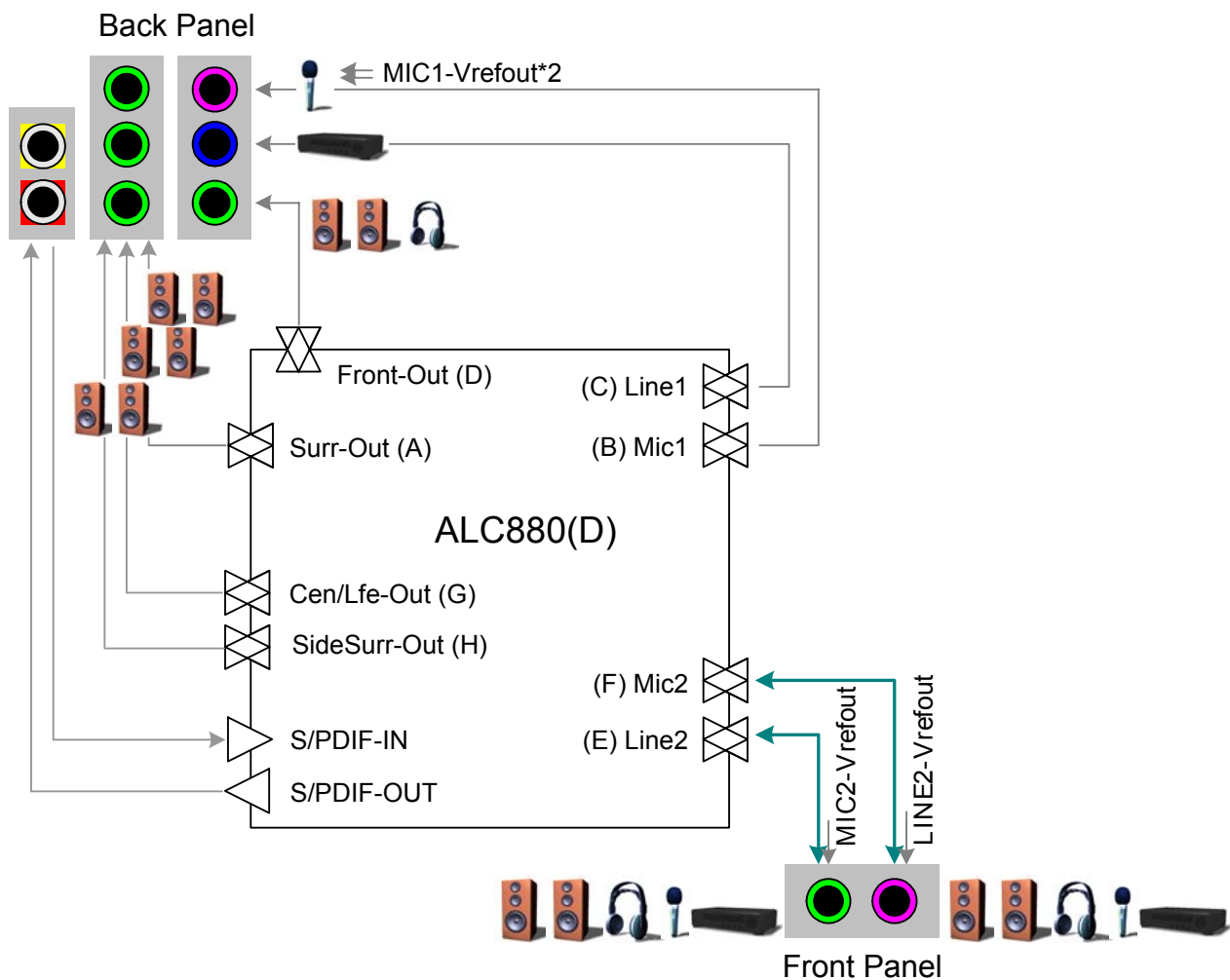


Figure 18. Desktop Configuration

10.1.2. Mobile Configuration

In this application, three jacks are re-tasking. MIC2 and LINE2 are used as inputs for microphone array.

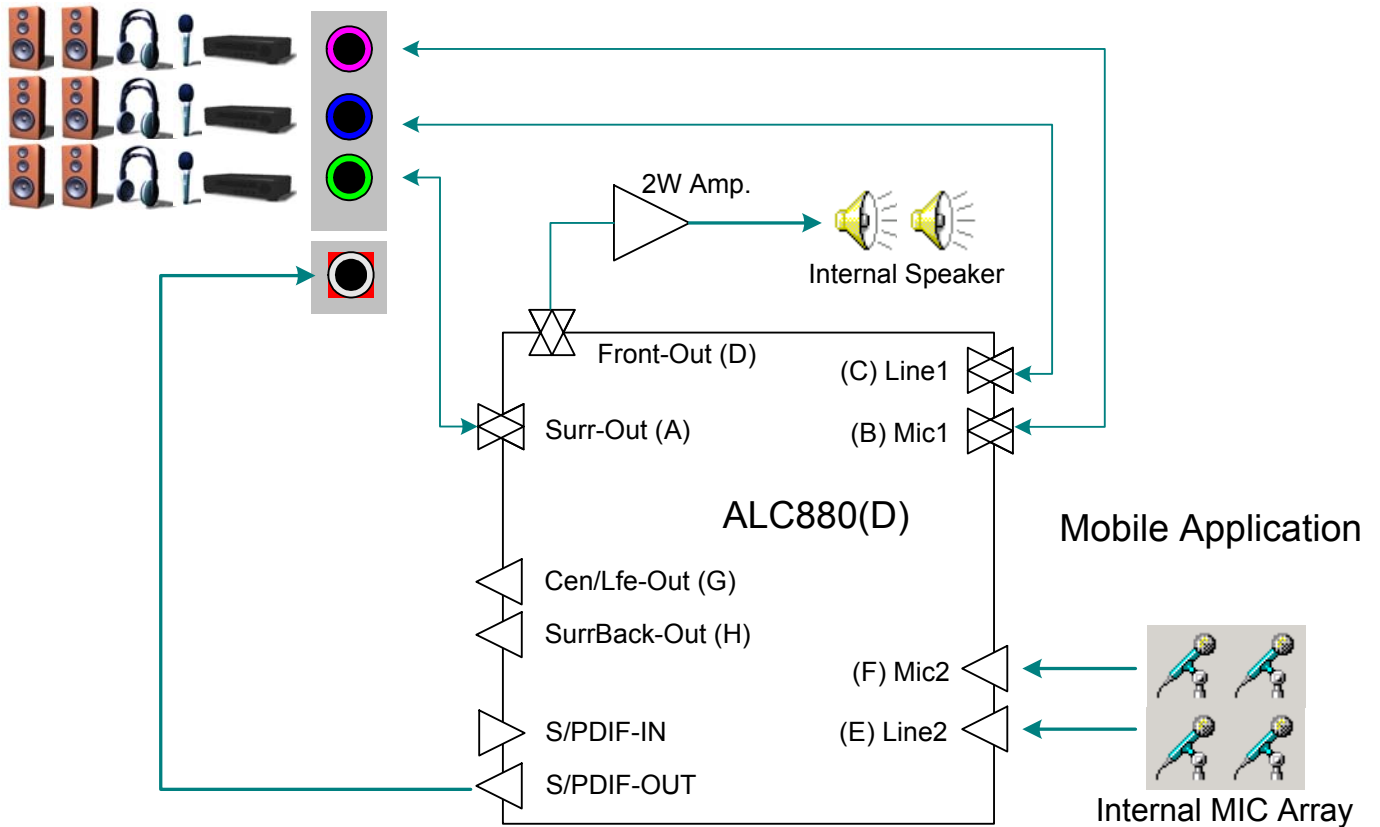


Figure 19. Mobile Configuration

10.2. Application Circuits

The application circuits are for design reference only. Designers should contact Realtek to get the latest application circuits. To get the best compatibility in hardware design and software driver, Realtek should confirm any modifications of application circuits. Realtek may upload the latest application circuits onto our web site (www.realtek.com.tw) without modifying this data sheet.

10.2.1. High Definition Audio Codec Circuits

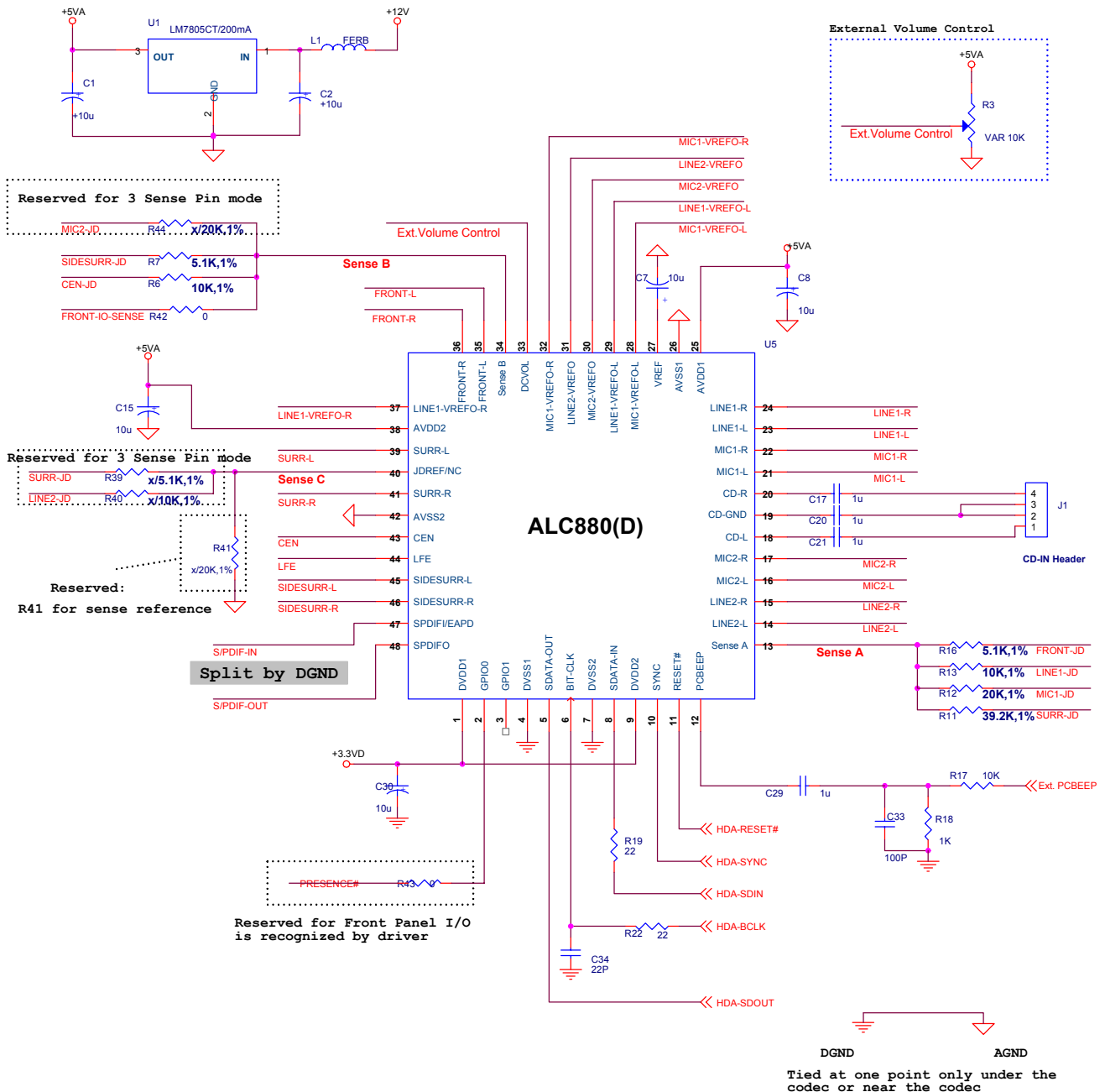
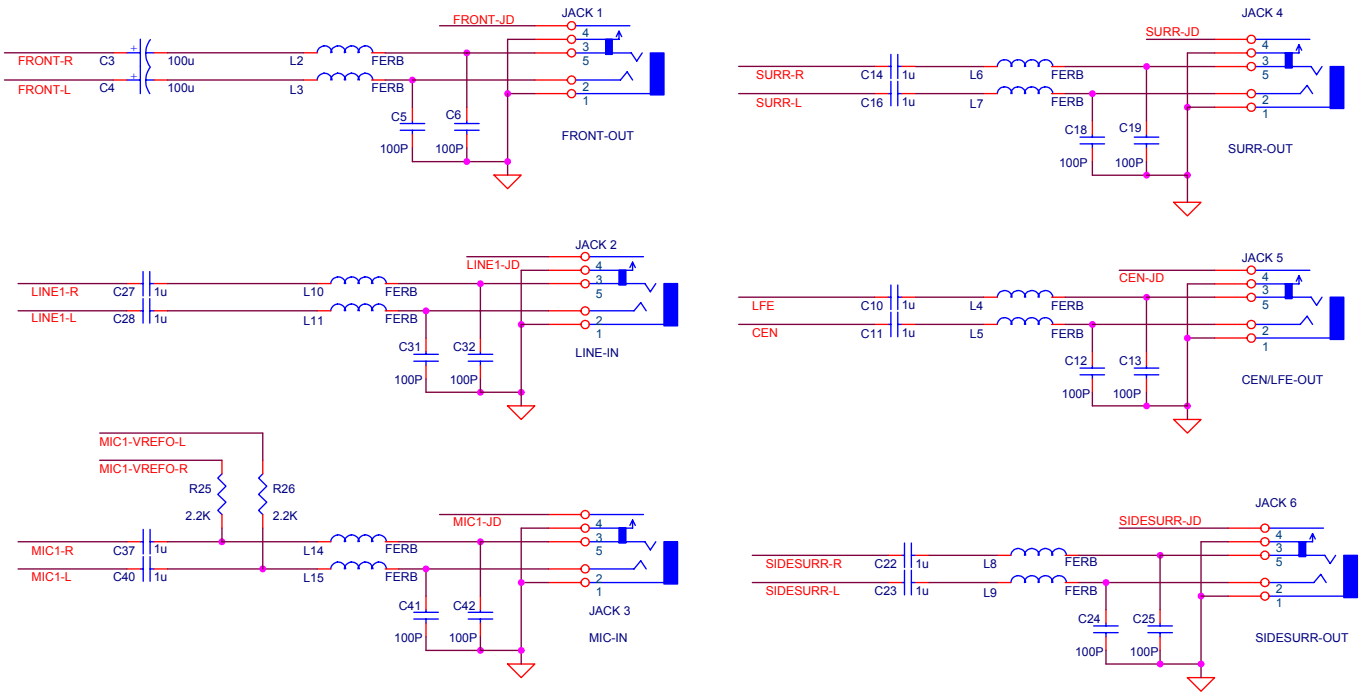
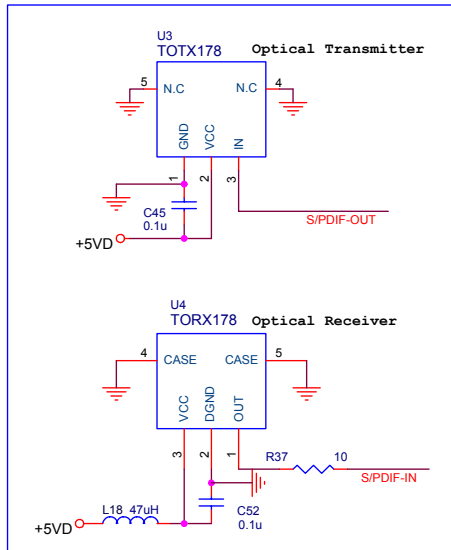
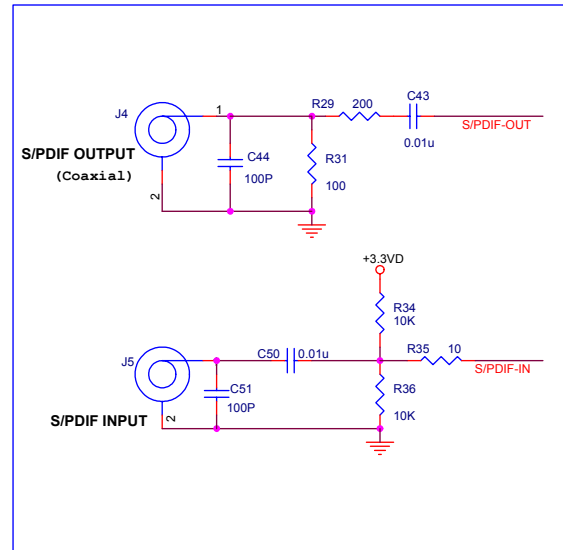


Figure 20. Filter Connection


S/PDIF module option 1: Optical

S/PDIF module option 2: Coaxial

Figure 21. IO Connection

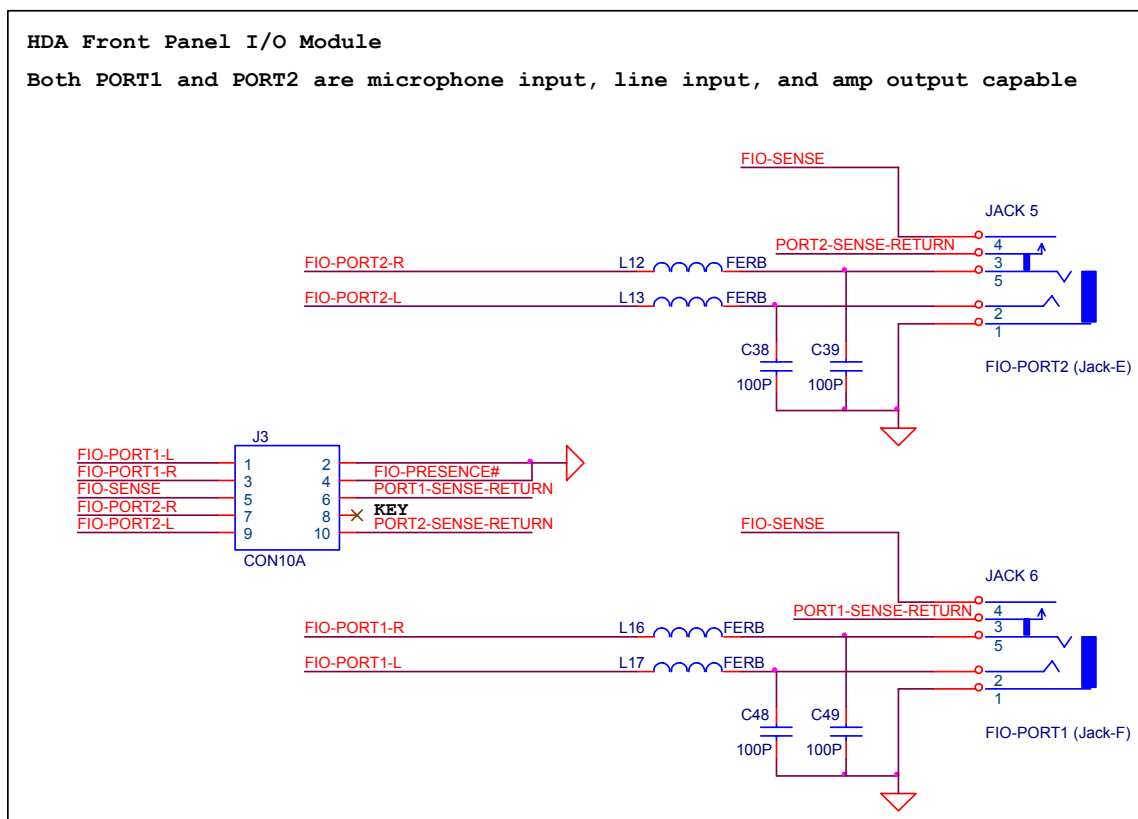
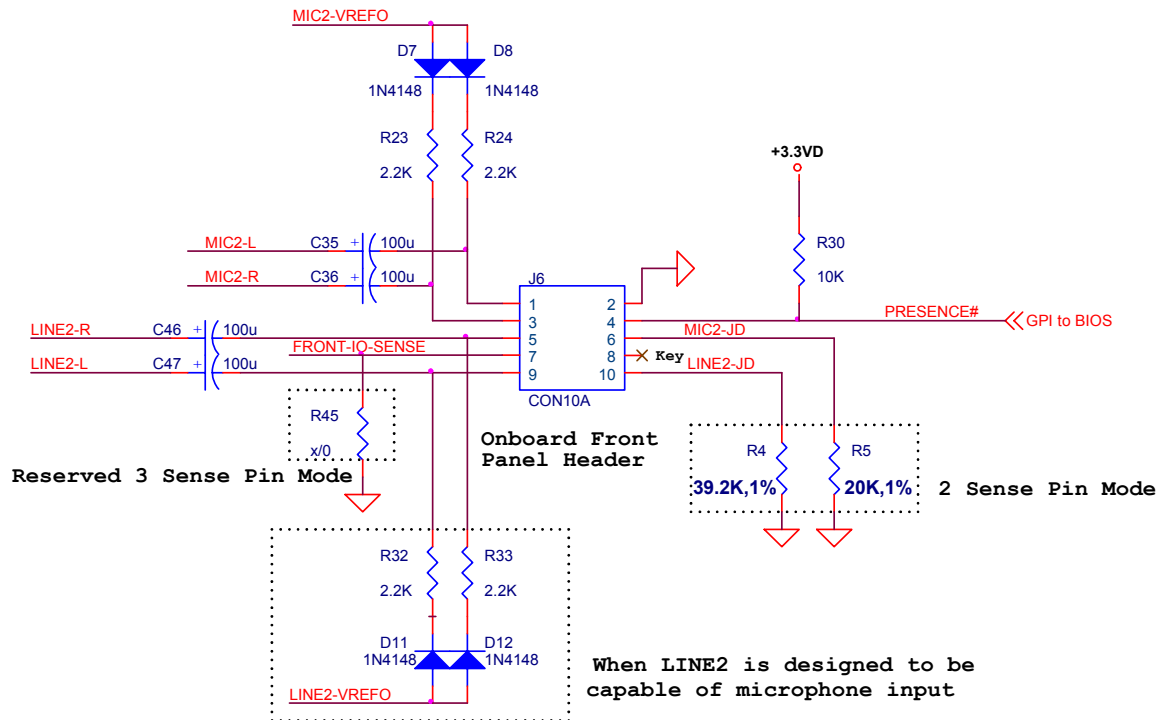
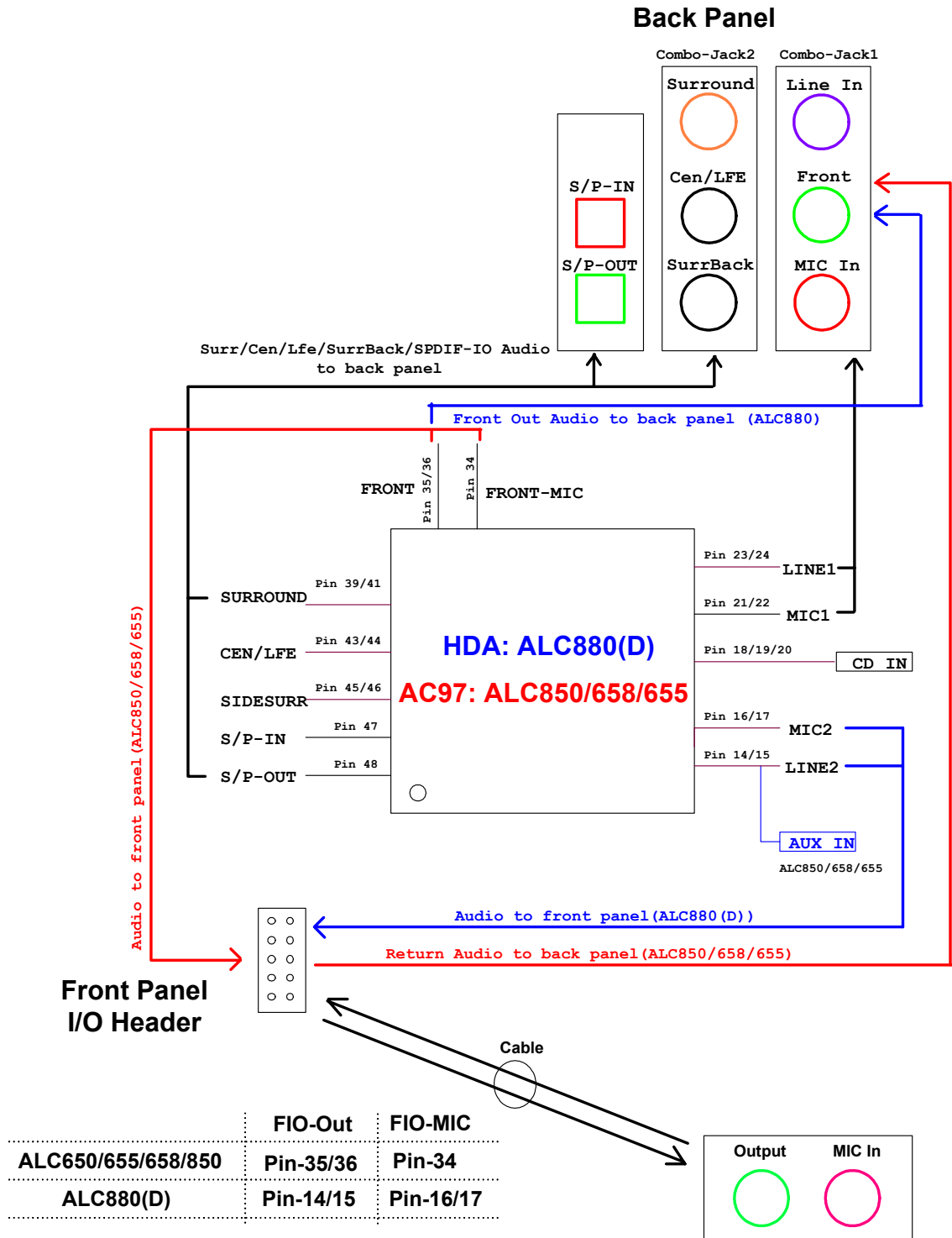


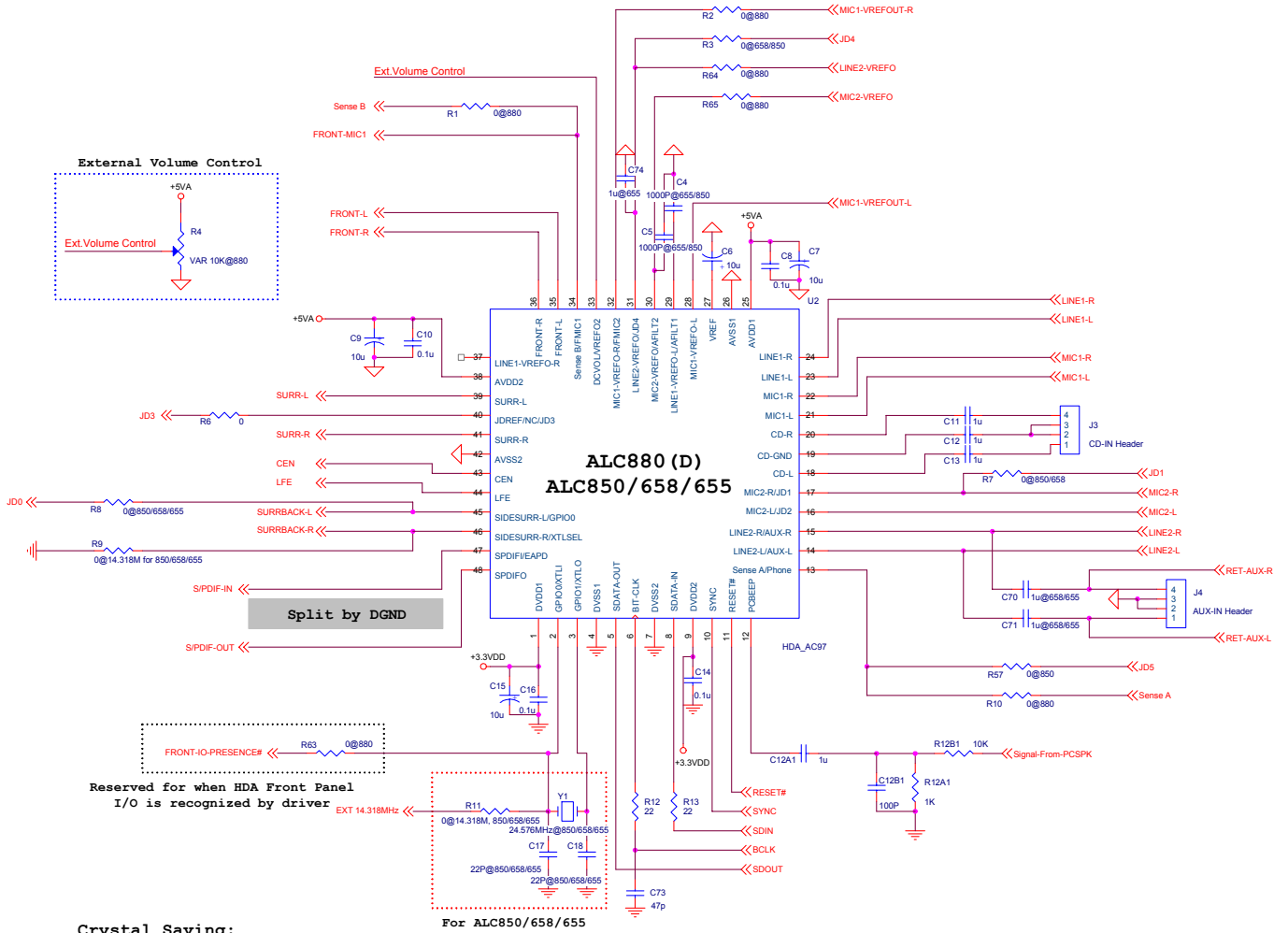
Figure 22. Front Panel Header Connection

10.2.2. Compatible Circuits for HDA Codec and AC'97 Codec



HDA Front Panel I/O Module: ALC880(D)
 AC'97 Front Panel I/O Module: ALC850/658/655

Figure 23. System Block Diagram for ALC880(D) (HDA Audio) and ALC650/655/658/850 (AC'97)



Crystal Saving:

For ALC850/658/655, R9=R11=0; Y1=C17=C18=X (EXT-14.318MHz clock)
 For ALC850/658/655, R9=R11=X; Y1=24.576M, C17,C18=22p (24.576MHz crystal)
 For ALC880, R9=R11=Y1=C17=C18=X (No clock input is required)

DGND AGND
 Tied at one point only under the codec or near the codec

Arrangement of Jack Detection Pin: (ALC655)
 JD0 for FRONT-OUT jack at front panel

Arrangement of Jack Detection Pin: (ALC658/850)
 JD0 for MIC-IN jack at back panel
 JD1 for FRONT-OUT jack at front panel
 JD3 for FRONT-OUT (AUD-RET) jack at back panel
 JD4 for LINE-IN jack at back panel

Arrangement of Jack Detection Pin: (ALC850)
 JD0 for MIC-IN jack at back panel
 JD1 for FRONT-OUT jack at front panel
 JD3 for FRONT-OUT (AUD-RET) jack at back panel
 JD4 for LINE-IN jack at back panel
 JD5 for strap AUX is configured as SurrBack output at back panel

Arrangement of Jack Detection Pin: (ALC880 (D))
 Sense A for jacks at back panel
 Sense B for jacks at front panel

Figure 24. Front Panel Schematic

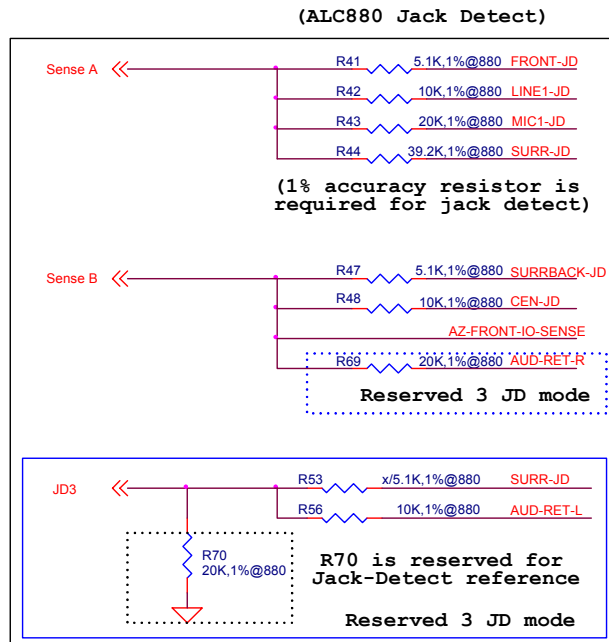
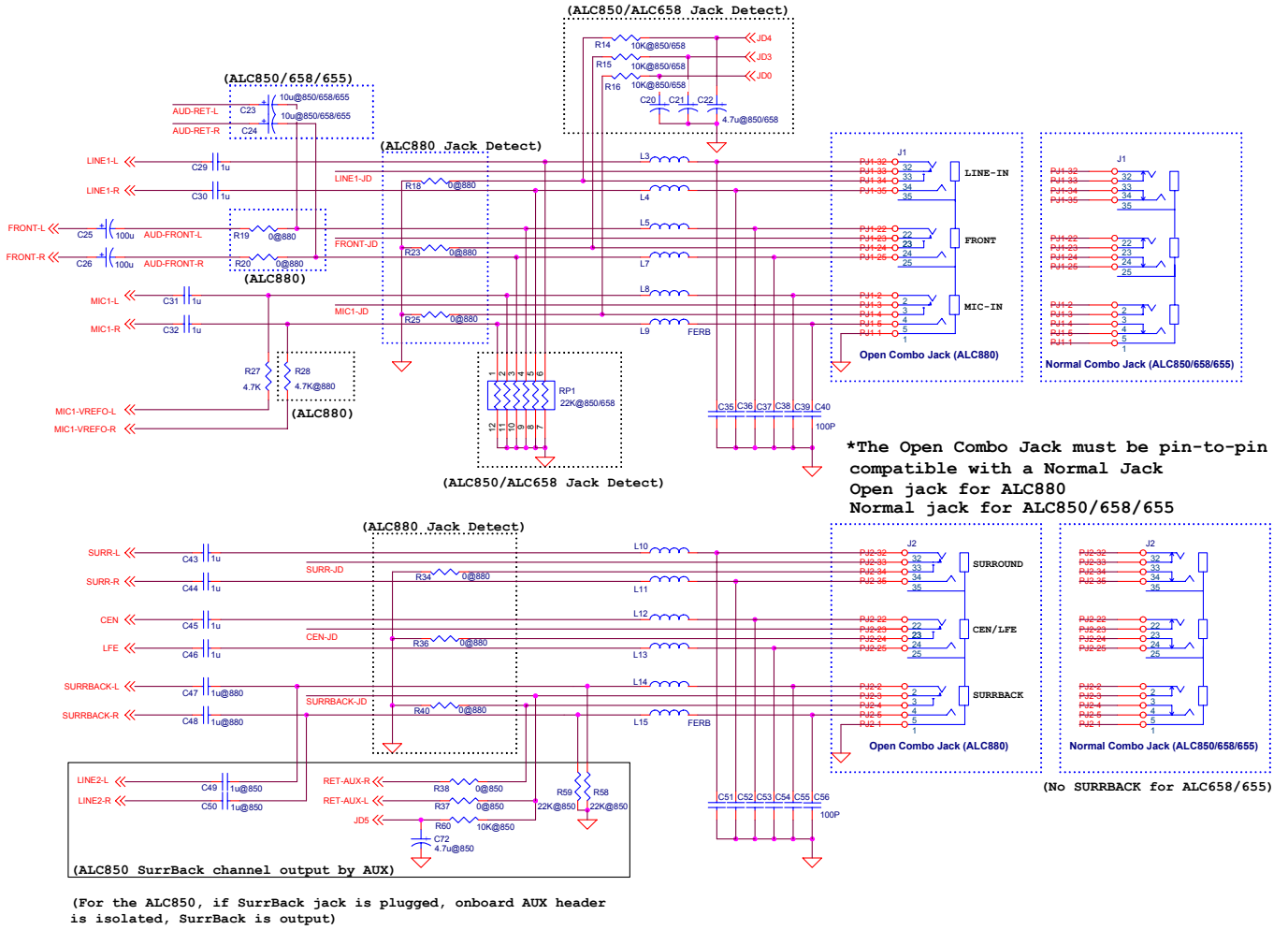
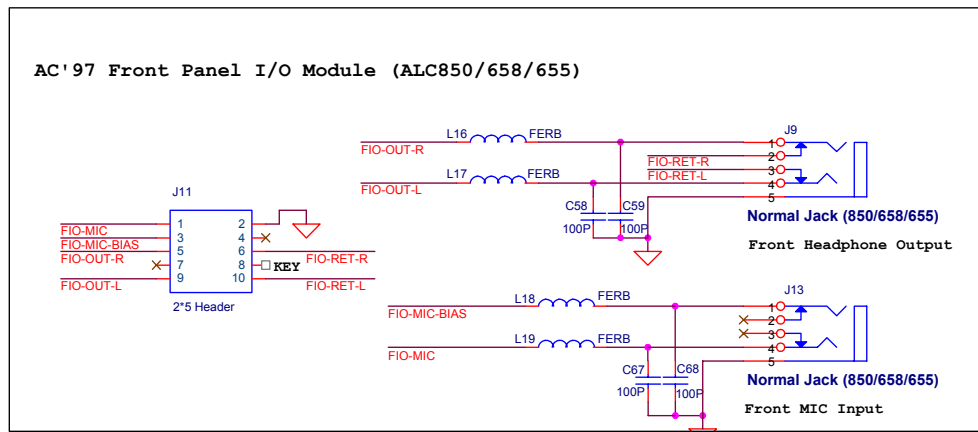
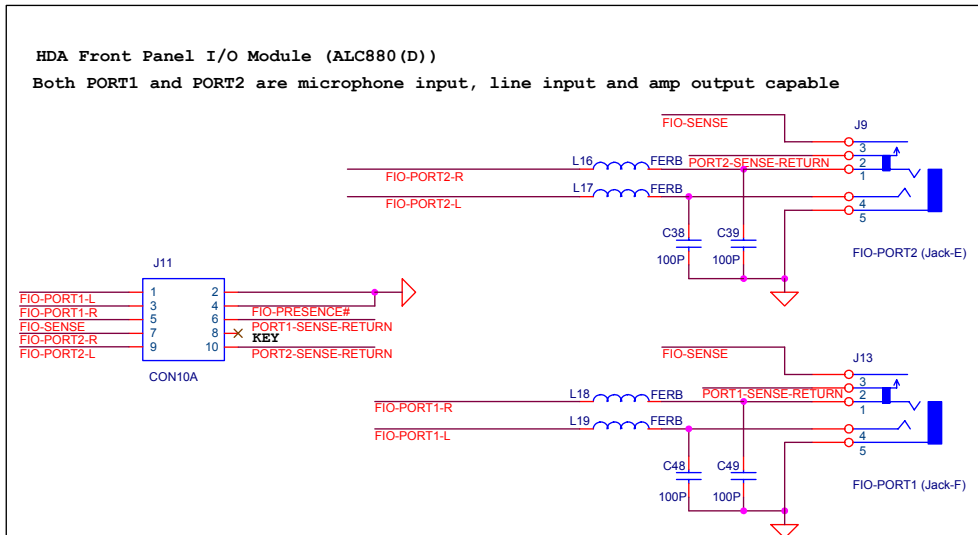


Figure 25. Analog IO



Onboard Header for Front Panel I/O Module

ALC850/658/655: INTEL Front Panel I/O Connectivity Design Guide Ver 1.0

ALC880: New HDA Analog Front Panel I/O Connectivity defined by Intel

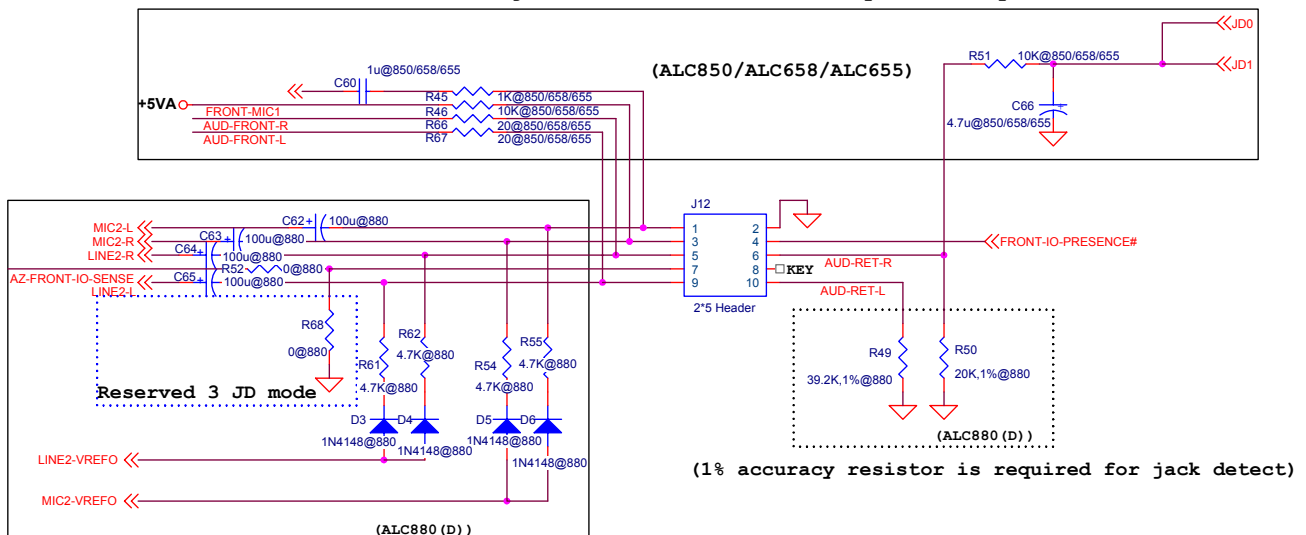
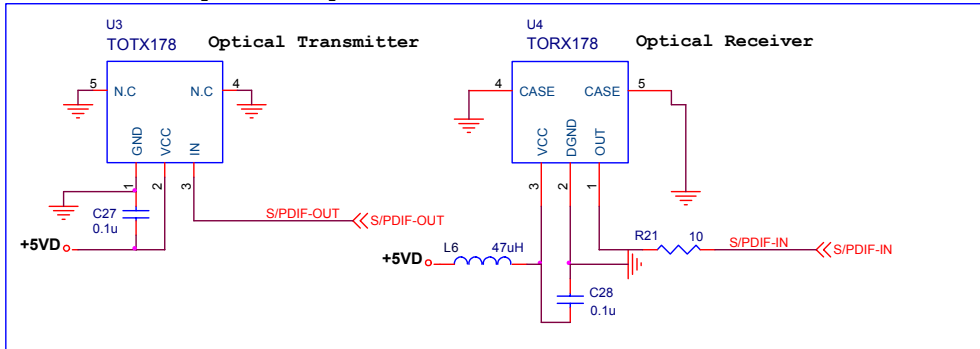
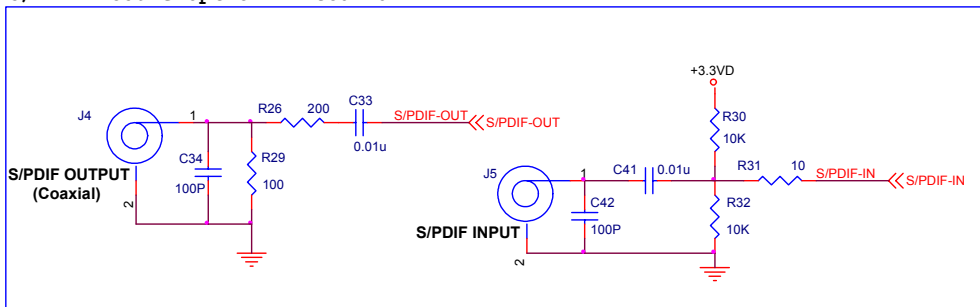
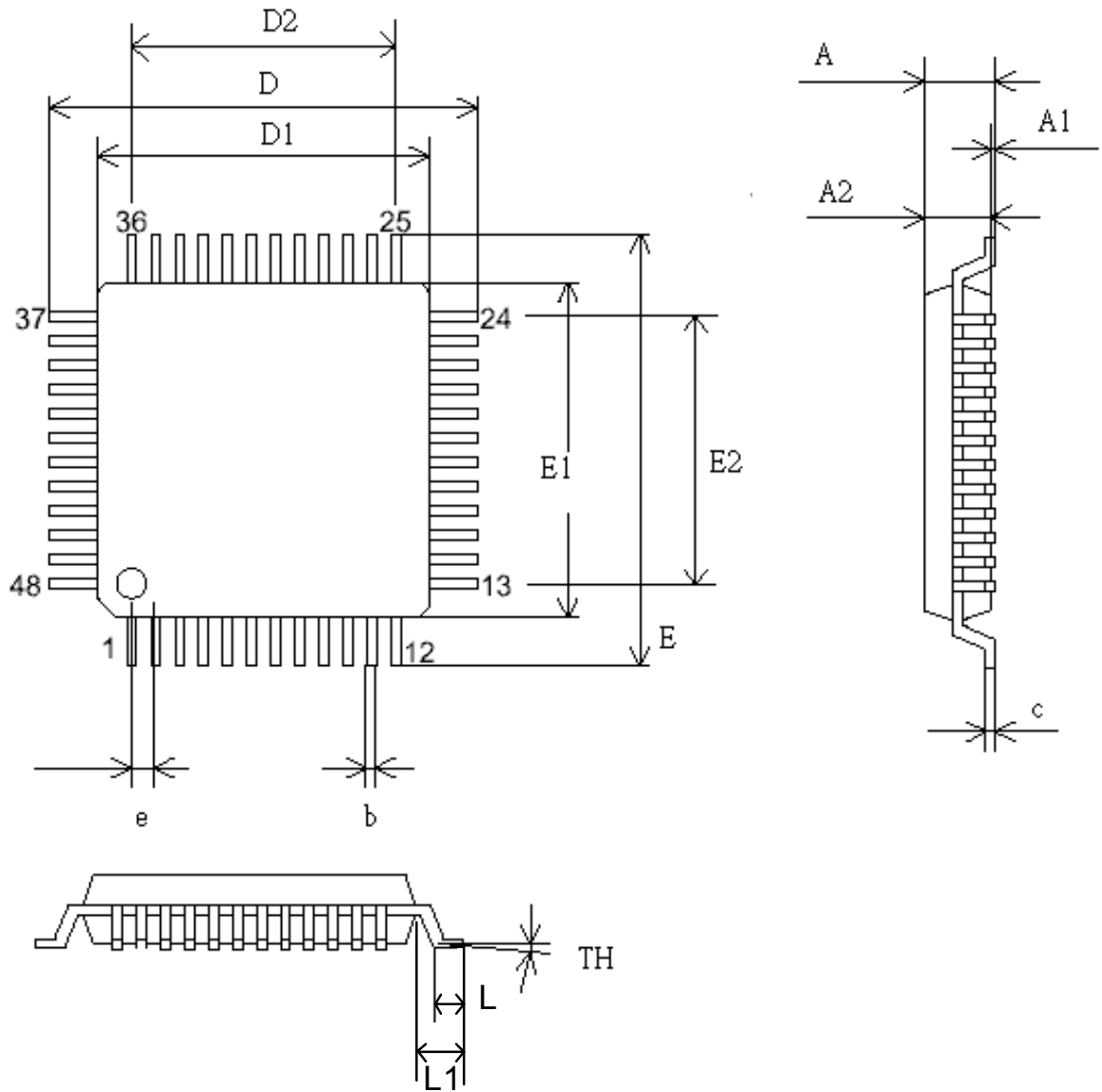


Figure 26. Onboard Header and Front Panel IO

S/PDIF Module Option 1: Optical

S/PDIF Module Option 2: Coaxial

Figure 27. Optional S/PDIF I/O

11. Mechanical Dimensions



See the Mechanical Dimensions notes on the next page.

11.1. Mechanical Dimensions Notes

SYMBOL	MILLIMETER			INCH		
	MIN.	TYP	MAX.	MIN.	TYP	MAX.
A			1.60			0.063
A1	0.05		0.15	0.002		0.006
A2	1.35	1.40	1.45	0.053	0.055	0.057
c	0.09		0.20	0.004		0.008
D	9.00 BSC			0.354 BSC		
D1	7.00 BSC			0.276 BSC		
D2	5.50			0.217		
E	9.00 BSC			0.354 BSC		
E1	7.00BSC			0.276 BSC		
E2	5.50			0.217		
b	0.17	0.20	0.27	0.007	0.008	0.011
e	0.50 BSC			0.0196 BSC		
TH	0°	3.5°	7°	0°	3.5°	7°
L	0.45	0.60	0.75	0.018	0.0236	0.030
L1		1.00			0.0393	

TITLE: LQFP-48 (7.0x7.0x1.6mm)		
PACKAGE OUTLINE DRAWING, FOOTPRINT 2.0mm		
LEADFRAME MATERIAL		
APPROVE	DOC. NO.	
	VERSION	02
CHECK	DWG NO.	PKG-065
	DATE	
REALTEK SEMICONDUCTOR CORP.		

12. Ordering Information

Table 84. Ordering Information

Part Number	Package	Status
ALC880	Standard product. LQFP-48	
ALC880D	ALC880 + Dolby Digital Live (software feature)	
ALC880-LF	ALC880 with Lead (Pb)-Free LQFP-48 package	
ALC880D-LF	ALC880D with Lead (Pb)-Free LQFP-48 package	
ALC880-VH	Standard product + HDA 1.0 compliant LQFP-48 package	
ALC880D-VH	ALC880-VH + Dolby Digital Live (software feature)	
ALC880-VH-LF	ALC880-VH with Lead (Pb)-Free LQFP-48 package	
ALC880D-VH-LF	ALC880D-VH with Lead (Pb)-Free LQFP-48 package	

Realtek Semiconductor Corp.

Headquarters

No. 2, Industry East Road IX, Science-based
 Industrial Park, Hsinchu, 300, Taiwan, R.O.C.
 Tel: 886-3-5780211 Fax: 886-3-5776047
www.realtek.com.tw