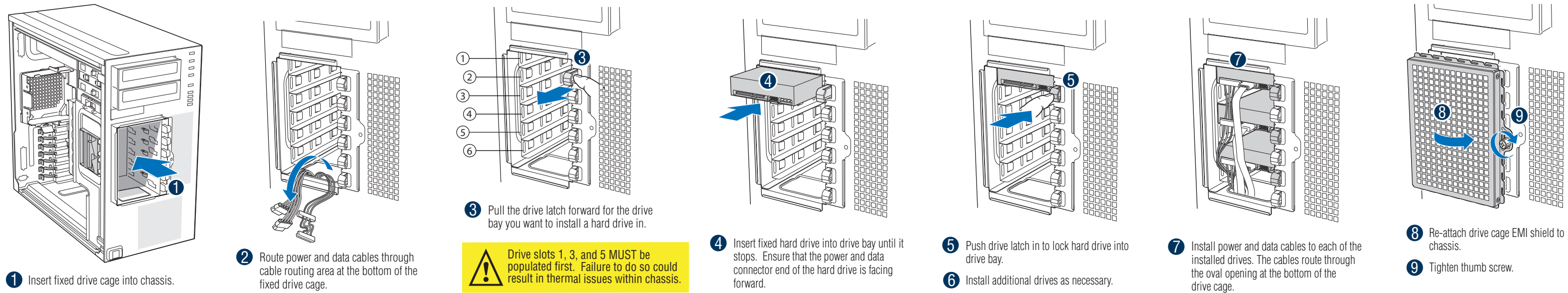


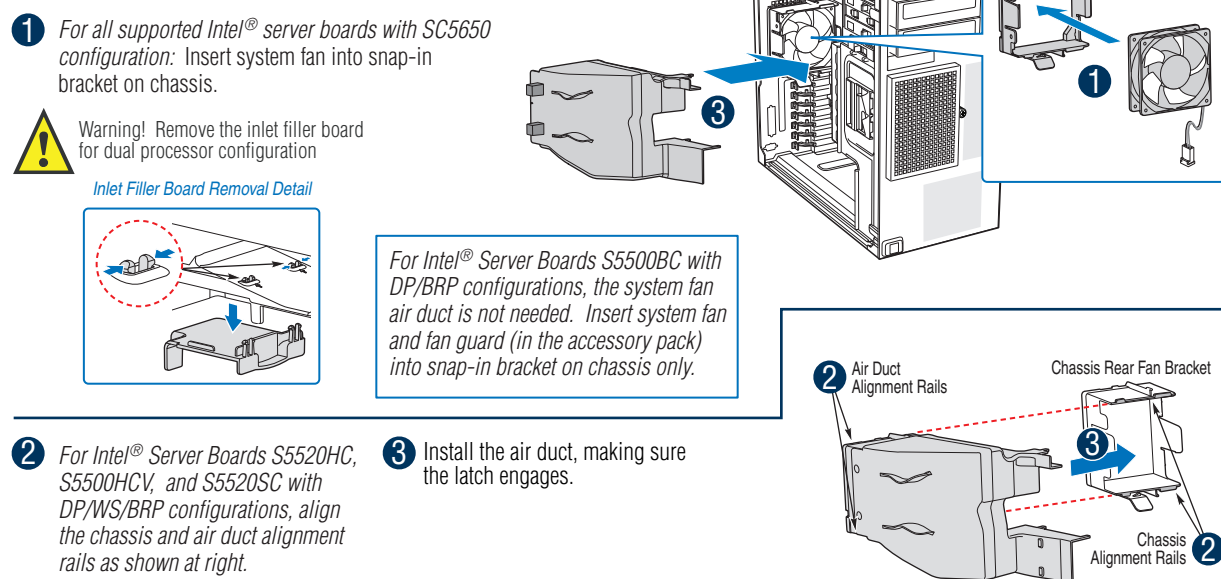
8 Install Tool-less Fixed Hard Drives (If installing a hot-swap drive cage, go to Step 9)



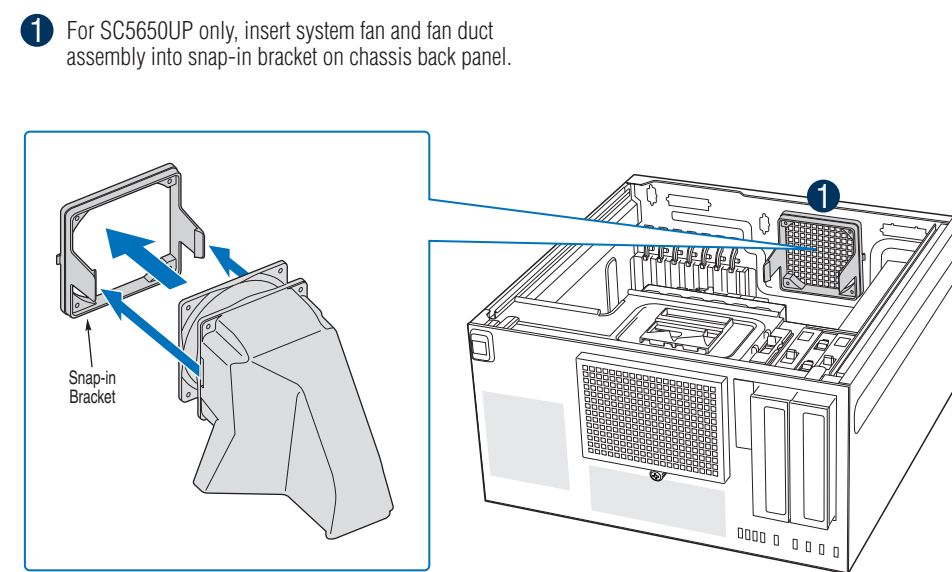
9 Install Hot-Swap Drive Cage Kit (Optional)

If you intend to configure your server with SATA/SAS hot swap hard drives, go to the instructions that came with your drive cage upgrade kit to install the drive cage and hot-swap drives.

10a Install Fan Duct / System Fan Assembly (for DP/BRP/WS)



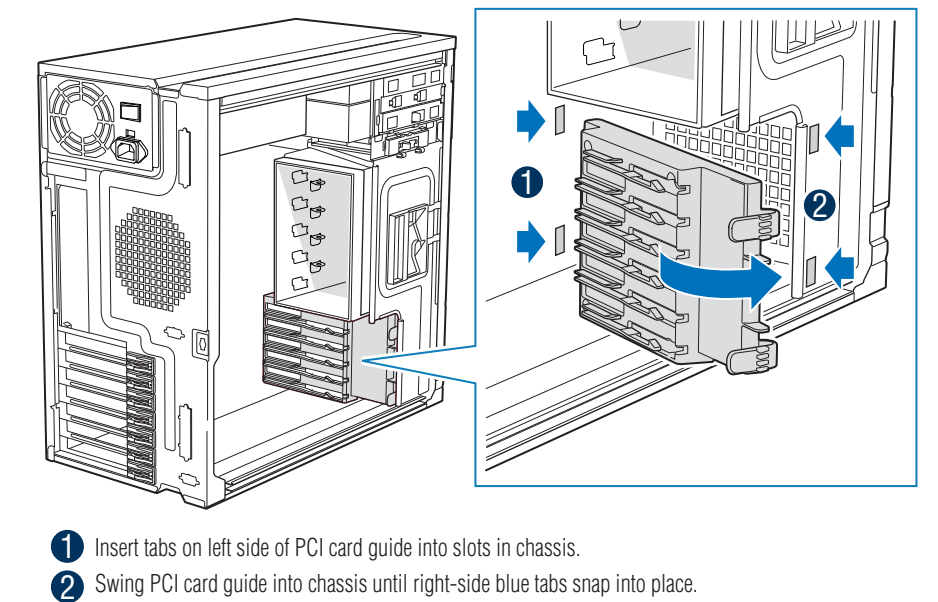
10b Install Fan Duct/System Fan Assembly (for UP)



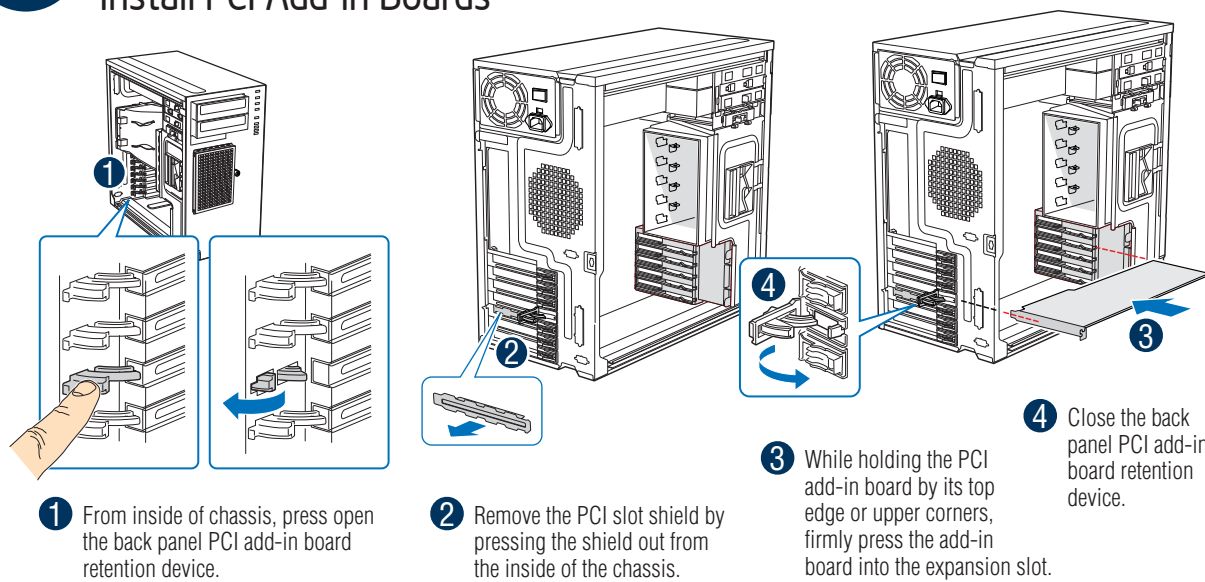
11 Complete Server Board Connections

See your Intel® Server Board Quick Start User's Guide or the User Guide for server board cable connections.

12 Install PCI Card Guide (only for S5500BC)

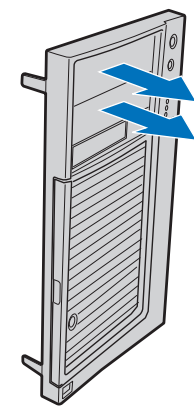


13 Install PCI Add-in Boards



14 Remove Filler Panels

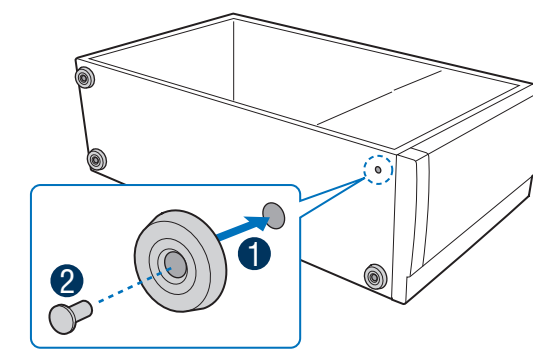
Remove the bezel filler panels for each drive you have installed. Release plastic tabs located at back side of bezel and pull out filler panels from front.



15 Install Feet (Pedestal Configuration Only)

Note: This step applies to the pedestal version only. If you plan to configure your chassis as a rack mount system, go to Step 16.

- 1 Insert rubber foot into chassis hole.
 - 2 Secure foot by inserting pin through the rubber foot.
- Note: Repeat above steps until all four feet are installed.



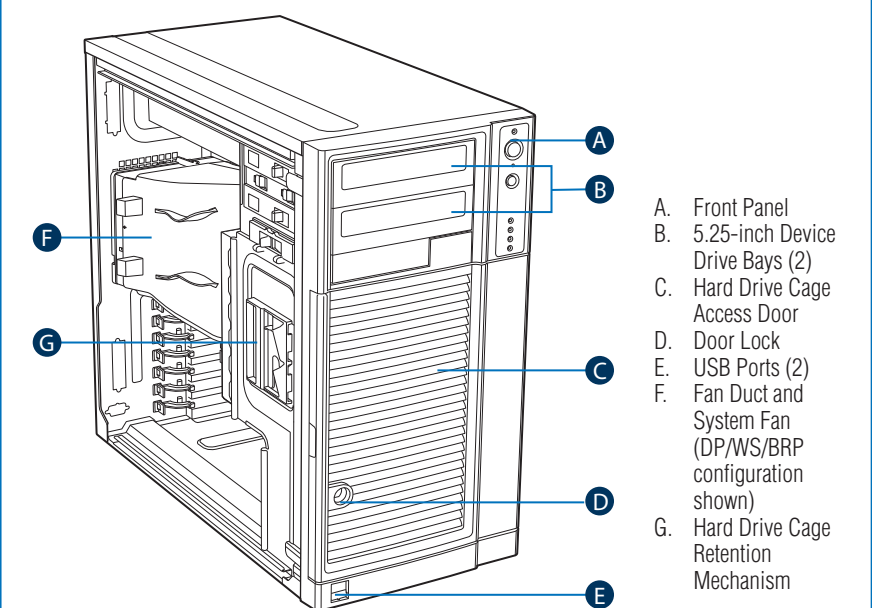
16 Install Rack Mount Kit (Optional)

If you intend to configure your server as a pedestal system, disregard this step and proceed to Step 17.

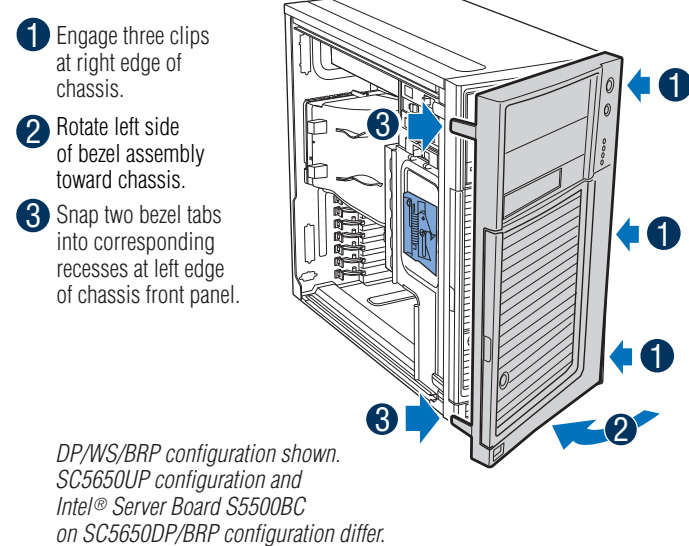
If you intend to configure your server as a rack-mount system, go to the instructions that came with your Rack Mount Kit to complete your server assembly.

Reference

Chassis Features and Components

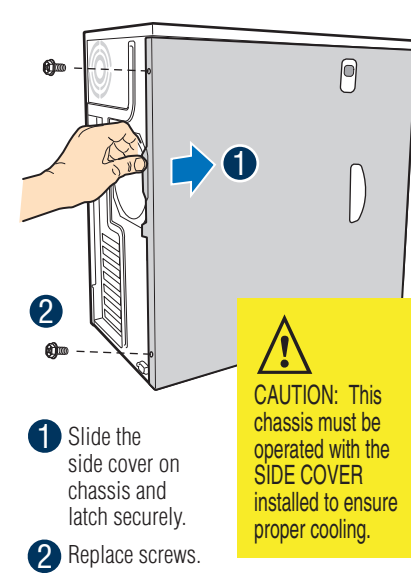


17 Install Front Bezel Assembly



DP/WS/BRP configuration shown. SC5650UP configuration and Intel® Server Board S5500BC on SC5650DP/BRP configuration differ.

18 Close System



CAUTION: This chassis must be operated with the SIDE COVER installed to ensure proper cooling.

19 Finishing Up

1. See your Intel® Server Board Quick Start User's Guide to connect your keyboard, mouse, video and other I/O cables.
2. Connect the AC power cable last.

CAUTION: Power supply requires a 16-gauge power cord.

Accessories and Order Codes

Hot Swap Conversion Kit	APPTHSDBKIT
6-Drive SAS/SATA Hot Swap Cage without expander	AXX6DRV3GR ¹
6-Drive SAS/SATA Hot Swap Cage with expander	AXX6DRV3GEXP ¹
Intel® Server Chassis Rack Mount Kit	APP3RACKIT
Intel® Server Chassis SC5650 Product Maintenance Kit	APPTPMKIT

¹ Requires a Hot Swap Conversion Kit to integrate into the Intel® Server Chassis SC5650.
A complete list of accessories and spares can be found at: <http://support.intel.com>

Available Documents

Document Type	Content
Technical Product Specification	In-depth technical information
Spares and Configuration Guide	Supported accessories and spares list
Software and Drivers	Up-to-date firmware, driver and utility information

Additional Reference Documents available at: <http://support.intel.com>

Front Panel Controls and Indicators

