

Intel® Entry Server Board S875WP1-E Quick Start User's Guide

Start Here

Thank you for buying an Intel® Server Board. The following information will help you prepare your server board for integration with your selected server chassis. This guide is for technically qualified persons. Expanded installation instructions and complete product information are available in the *Intel® Entry Server Board S875WP1-E Product Guide* located on the Resource CD.

Minimum Hardware Requirements

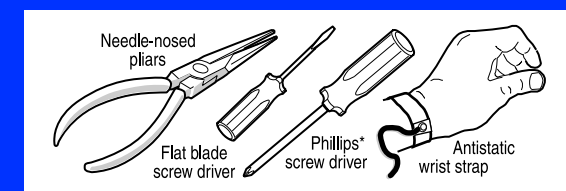
To avoid integration difficulties and possible board damage, your system must meet the following minimum requirements:

- **Processor:** One Intel® Pentium® 4 processor. Minimum 2.0 GHz.
- **Memory:** Minimum of one 128 MB, DDR266/333/400-compliant unbuffered SDRAM 184-pin gold DIMM.
- **Power:** Minimum of 300W with 1.2A of standby current.

Additional resources and support for your server board, including supported processors, tested chassis, qualified memory and chassis components, specifications, and software updates, can be found at:
<http://support.intel.com/support/motherboards/server/S875WP1-E>

Before you begin

You will need the following tools and equipment:



Build Value With Intel

Server Products, Programs and Support

Get the high-value server solutions you need by taking advantage of the outstanding value Intel provides to system integrators:

- High-quality server building blocks
- Extensive breadth of server building blocks
- Solutions and tools to enable e-Business
- Comprehensive training services¹
- Worldwide 24x7 technical support [AT&T Country Code + 866-655-6565]¹
- World-class service, including a three-year warranty and Advanced Warranty Replacement¹

For more information on Intel's added-value server offerings, visit the **Intel® ServerBuilder** website at: www.intel.com/go/serverbuilder

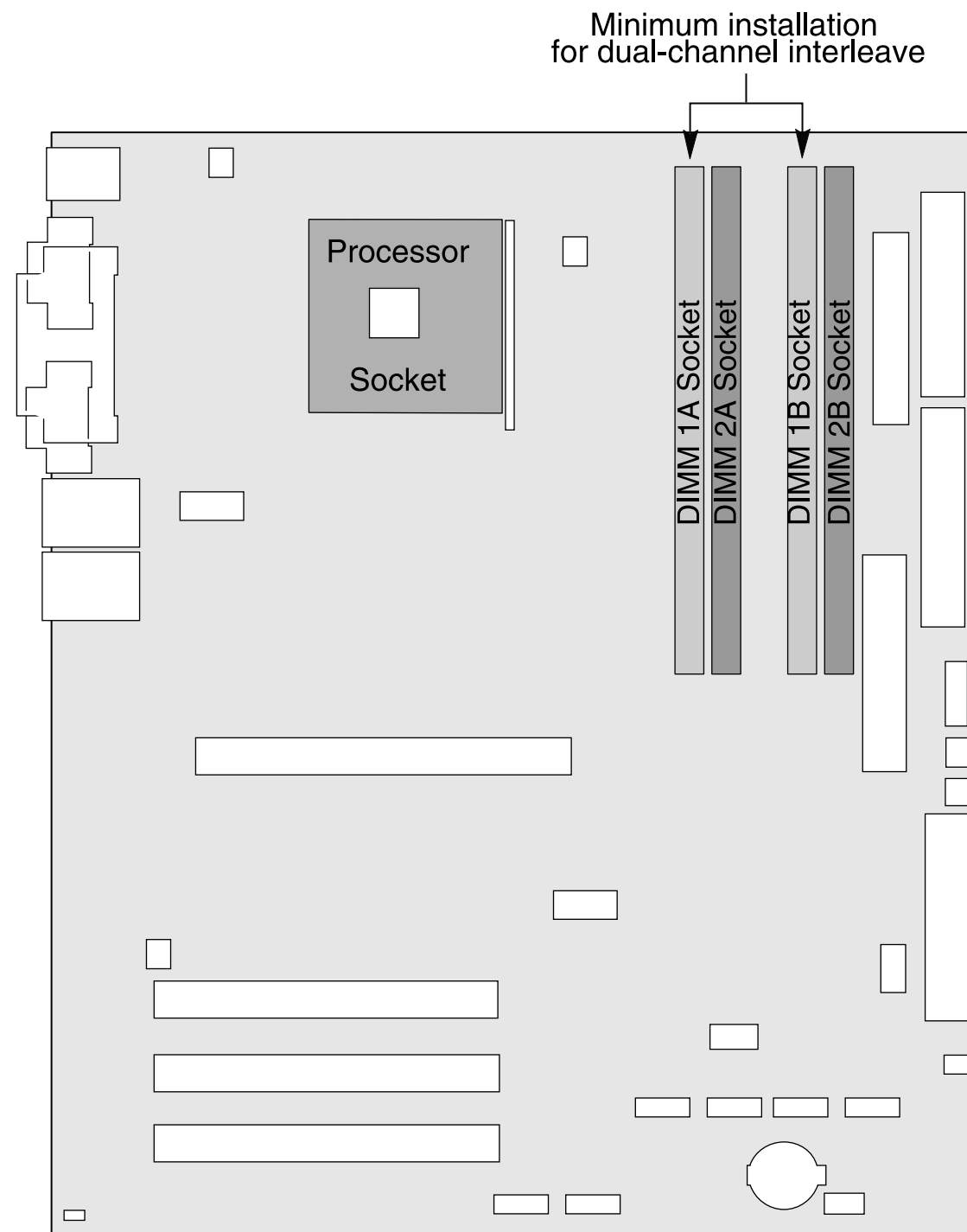
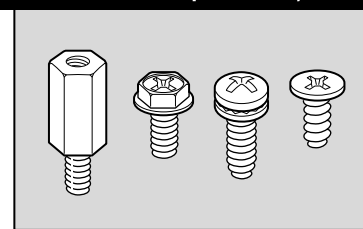
Intel ServerBuilder is your one-stop shop for information about all of Intel's Server Building Blocks such as:

- Product information, including product briefs and technical product specifications
- Sales tools, such as videos and presentations
- Configuration tools to help you build complete solutions
- Training information, such as the Intel® Online Learning Center
- Support information and much more

¹ Available only to Intel® Channel Program Members, part of Intel® e-Business Network.

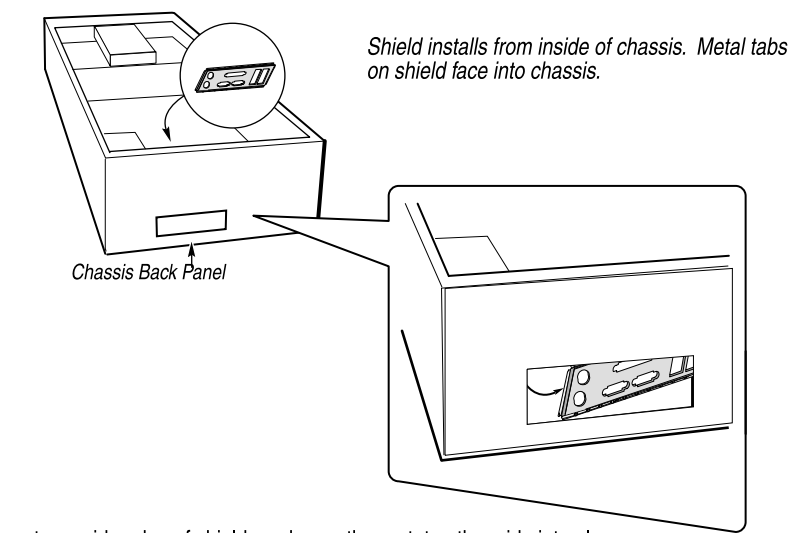
Fastener Identification Guide

(Fasteners are included with chassis and boxed processor)



1 Installing the I/O Shield

Caution: Be careful not to bend the metal tabs on the I/O shield.



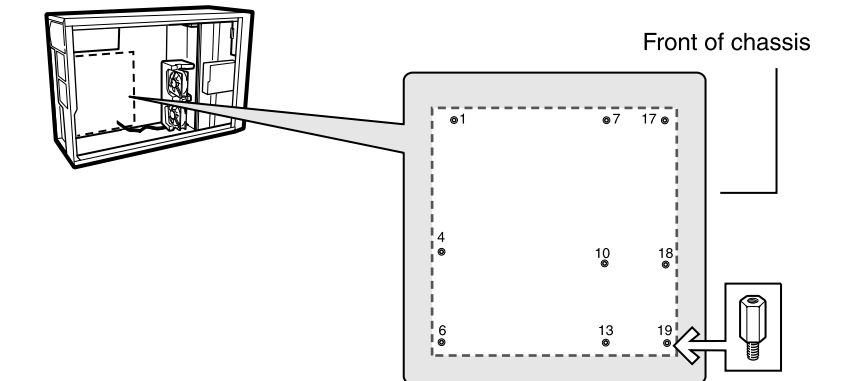
Insert one side edge of shield as shown, then rotate other side into place. Push shield firmly into chassis opening until it clicks into place.

2 Installing the Chassis Standoffs

Standoffs are included with your chassis. Standoff numbering varies by chassis. Standoff locations for the Intel Server Chassis SC5200 and SC5250-E are shown below.

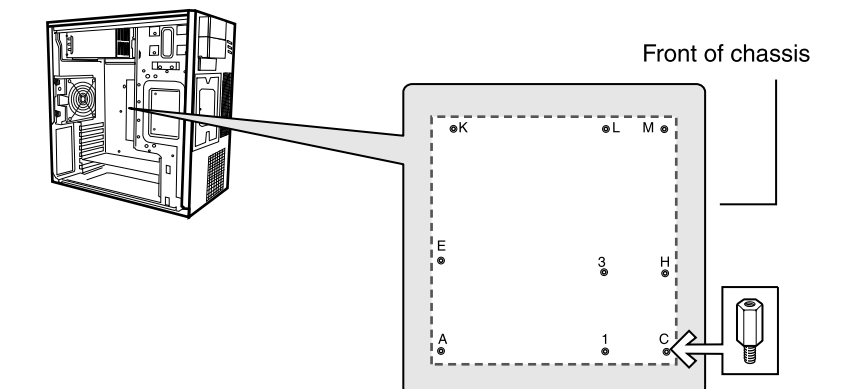
For the Intel® Server Chassis SC5200:

Standoffs are preinstalled in locations 1, 4, and 6. Install standoffs in positions 7, 10, 13, 17, 18, 19.



For the Intel® Server Chassis SC5250-E:

Standoffs are preinstalled in locations K, E, and A. Install standoffs in positions L, 3, 1, M, H, C.

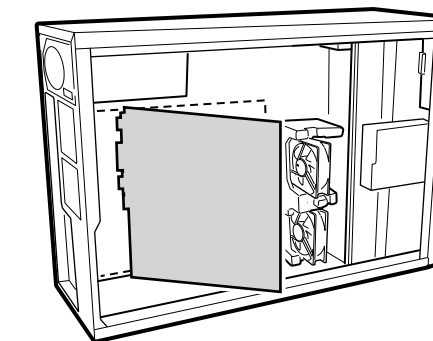


3 Installing the Server Board

A Place Board into Chassis

Place the board into the chassis, making sure that the back panel I/O shield openings and the chassis standoffs align correctly.

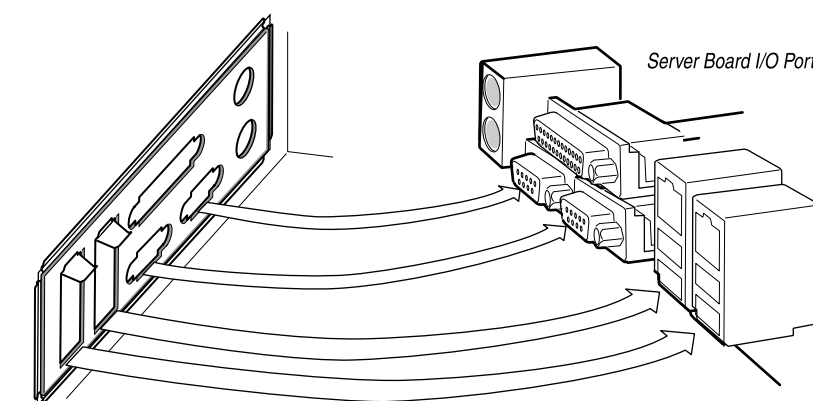
Caution: Be careful not to bend the metal tabs on the I/O shield.



B Align I/O Ports and Shield

Caution: Be careful not to bend the metal tabs on the I/O shield.

Line up the board in the chassis, making sure the I/O connectors fit through the openings in the I/O shield at the rear of the chassis. For a correct installation, the two tabs over the openings for the NIC connectors must touch the top of the NIC connectors for proper grounding.

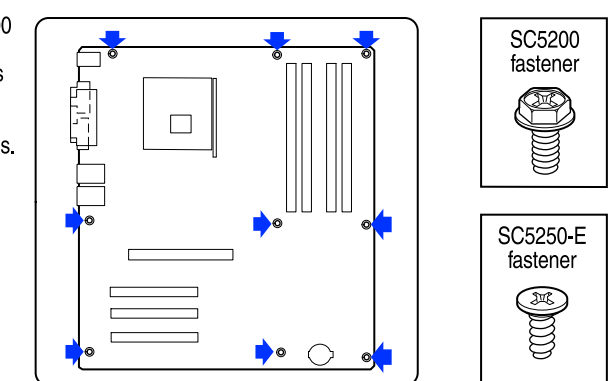


C Fasten Board to Chassis

Attach the board with the screws at the 9 locations marked in the figure.

Note: The server chassis SC5200 family and the server chassis SC5250-E use different fasteners to attach the server board to the chassis. Be sure to use the fastener indicated for your chassis.

Fasteners are included with your chassis.



4 Installing Memory

DIMM Memory Modules

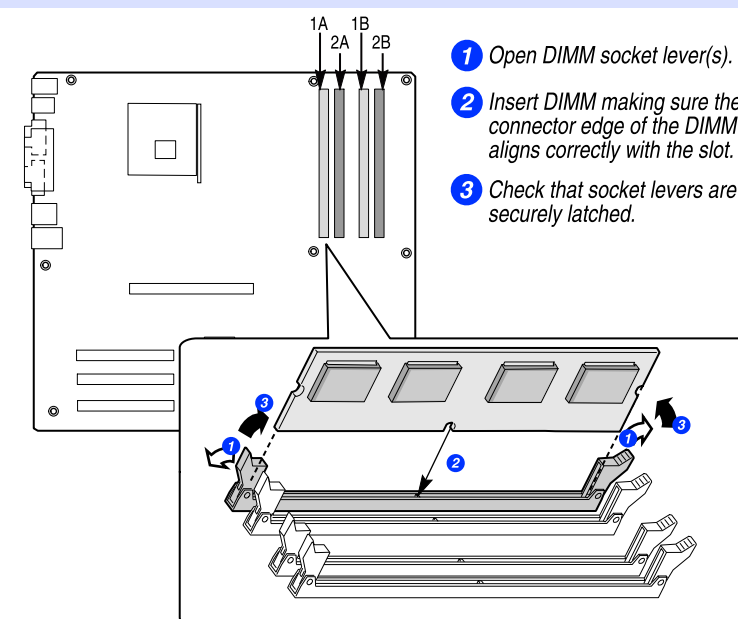
Caution: Avoid touching gold contacts when handling or installing DIMMs.

One, two, or four DIMMs can be installed. When a single DIMM is used, it must be installed in the socket labelled DIMM1A.

For dual-channel interleaved operation a minimum of two DIMMs must be installed and they must be in DIMM1A and DIMM1B.

The DIMM size, speed and vendor must be the same.

You must use a minimum of one 128 MB, DDR266/333/400-compliant unbuffered SDRAM 184-pin gold DIMM. For further information, refer to the Product Guide.



Go to SIDE 2

