

Installing the Intel® Xeon™ Processor(s) on the Intel® Server Board SE7500CW2



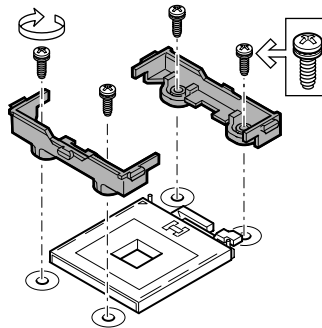
CAUTION

If you are installing only one processor, it must be installed in the Primary Processor Socket, which is the closest to the corner of the server board.

If you are installing a second processor to your system, you must verify that the second processor is identical to the first processor, same voltage and speed. Using non-identical processors could cause system failure.

Installing the Retention Brackets

1. Observe the safety and ESD precautions at the beginning of this chapter and the additional precautions given here.
2. Remove power from your system by unplugging the AC power cord.
3. Remove the chassis cover (see your system or chassis documentation for instructions).
4. When installing a processor, insert the retention brackets and tighten the four retention screws.



OM14471

Installing the Retention Brackets

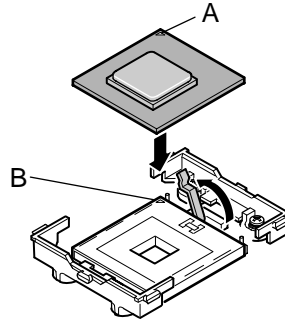
Attaching the Processor



NOTE

This server board has “zero-insertion-force” sockets. If the processor does not drop easily into the socket holes, make sure the lever is in the full upright position and the processor is oriented properly.

1. Lift the socket lever on the processor.



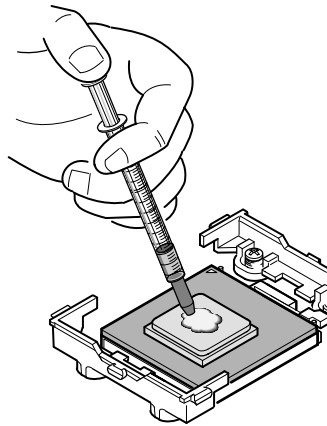
OM14473

Opening Socket Lever and Attaching Processor

2. Align the Alignment Triangle Mark on the processor with the Alignment Triangle Cutout on the socket.
3. Insert the processor in the socket and close the socket lever.

Applying Thermal Grease

Apply thermal grease to the processor as shown below.

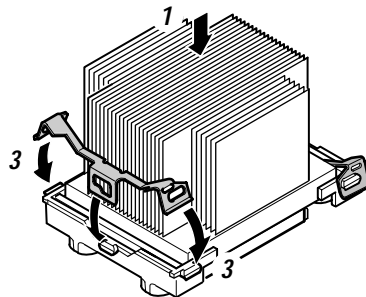


OM14472

Applying Thermal Grease

Attaching the Heat Sink

1. Align the heat sink with the retention brackets and place the heat sink on the processor.



OM14474

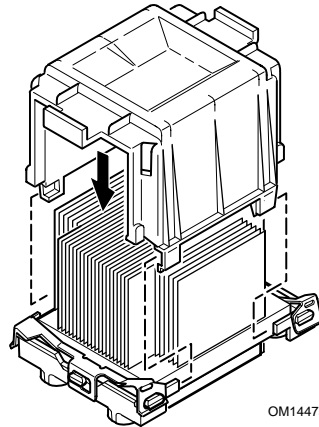
Attaching the Heat Sink

2. Position the retention clip over the plastic tab and engage the clip end-slot over the plastic tab.
3. Press downward on the retention clip ends until they engage the plastic tabs.

Installing the Processor Wind Tunnel

Attaching the Processor Wind Tunnel Assembly

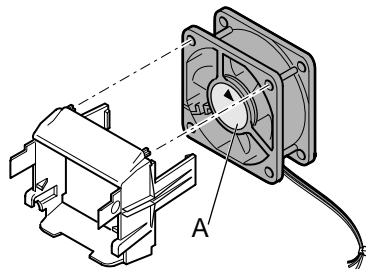
Install the processor wind tunnel center section over the heat sink. Note that the plastic tabs engage the tabs on the retention clips.



Attaching the Wind Tunnel Assembly

Attaching the Heat Sink Fan

Attach the fan to the wind tunnel air intake section as shown in below. The fan label must point into the air intake section.



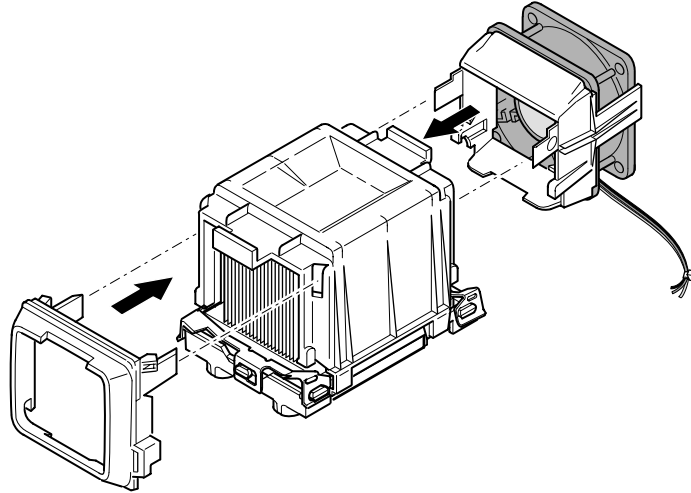
Attaching the Heat Sink Fan

Attaching Intake and Exhaust Assemblies

➡ NOTE

System airflow should be from front to back. Make sure the wind tunnel is aligned so the fan is toward the front of the chassis and the airflow is toward the I/O shield. If two processors are installed, the fans should be side by side.

1. Attach the air intake fan assembly to the side of the heat sink wind tunnel nearest to the front of the chassis. Align the tabs on the assembly with the slots in the wind tunnel section, then snap the lower portion of the fan holder over the tabs on the center section.
2. Attach the exhaust portion of the processor wind tunnel assembly.
3. Attach CPU Fan 1 cable to the server board at location J15 and/or attach CPU Fan 2 cable at location J16.



OM14477

Attaching Intake and Exhaust Assemblies