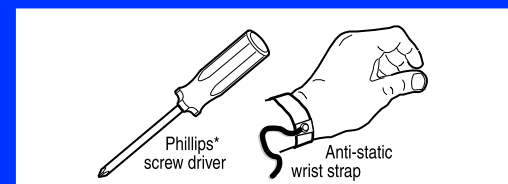


Intel® Server Board SE7501WV2 Quick Start User's Guide

Start Here

Thank you for buying an Intel® Server Board. The following information will help you prepare your server board for integration with your selected server chassis. This Guide is for technically qualified persons. Expanded installation instructions and complete product information are available in the *Product Guide* on the Server Board Documentation CD. Spanish and Simplified Chinese translations of the *Product Guide* are also available on the Documentation CD.

Before you begin
You will need the following tools and equipment:



See your *Product Guide* for product Safety and EMC regulatory compliance information.

If you are not familiar with ESD [Electro-Static Discharge] Procedures to be used during system assembly, complete ESD Procedures are described in your *Product Guide*.

Additional resources and support for your server board can be found at:
<http://support.intel.com/support/motherboards/server/SE7501WV2>

Build Value with Intel

Server Products, Programs and Support
Get the high-value server solutions you need by taking advantage of the outstanding value Intel provides to system integrators:

- High-quality server building blocks
- Extensive breadth of server building blocks
- Solutions and tools to enable e-Business
- Intel® Server Management
- Comprehensive training services†
- Worldwide 24x7 technical support (AT&T Country Code + 866-655-6565)†
- World-class service, including a three-year limited warranty and Advanced Warranty Replacement†

For more information on Intel's added-value server offerings, visit the Intel Server Builder website at: www.intel.com/go/serverbuilder

Intel Server Builder is your one-stop shop for information about all of Intel's Server Building Blocks such as:

- Product information including product briefs and technical product specifications
- Sales tools such as videos and presentations
- Configurator Tools to help you build complete solutions
- Training information such as the Intel® Online Learning Center
- Support information and much more

Available only to Intel® Channel Program Members, part of Intel® e-Business Network.

Reference

Common Problems and Solutions

The system sometimes works, but is exhibiting erratic behavior.

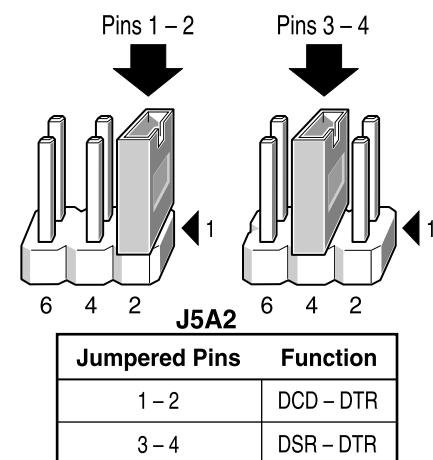
- This is typically the result of using an under-rated power supply. Make sure you are using at least a 350 W power supply.

The system does not boot or show video at power on.

- If configuring with only one processor, verify that the processor is in the Primary Processor socket.
- Beep code 1-3-3-1 means you have unrecognized or bad memory. Remove and replace DIMMs one at a time to isolate which one is causing problems.
- Remember, all DIMMs must be:
 - Registered DDR266 compliant
 - The same speed
 - From the same manufacturer
 - Installed in pairs beginning with DIMM 1A and 1B
 - Installed with no empty sockets in between
- Your power supply must provide 0.8 A of +5 V Standby current to support WOL. If the standby current is not present, your board will not boot.

Configure Serial B Connector (DTR) Jumpers

The 8 pins of the RJ-45 connector can be configured to match either of two pin-out standards used by serial port devices. To accommodate either standard, the J5A2 jumper block located directly behind the rear RJ-45 serial port must be jumpered appropriately according to the desired standard.



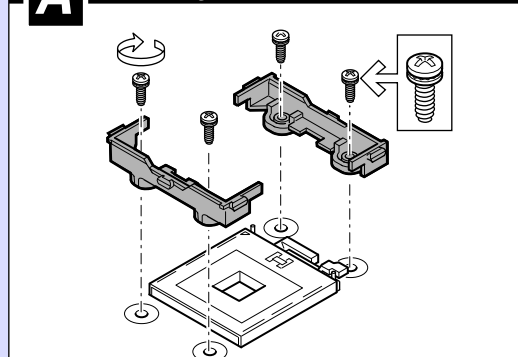
1 Install the Server Board into your Chassis ...

Go to the Server Chassis Quick Start User's Guide and follow the instructions for installing the server board into the chassis. **Note:** When installing the server board into the Intel® SR2300 chassis, use the retention mechanism that shipped with the chassis.

2 Installing the Processor[s]

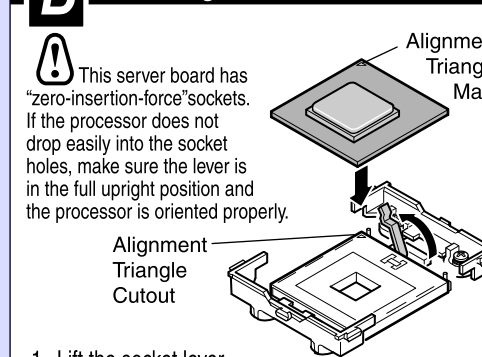
Note: If installing only one processor, it must be installed in Processor Socket 1 (see diagram 'Server Board Component' below for location). On the board itself, Socket 1 is labeled CPU1. If installing a second processor, verify that the processors have the same voltage, speed and same processor stepping.

A Installing the Retention Mechanism



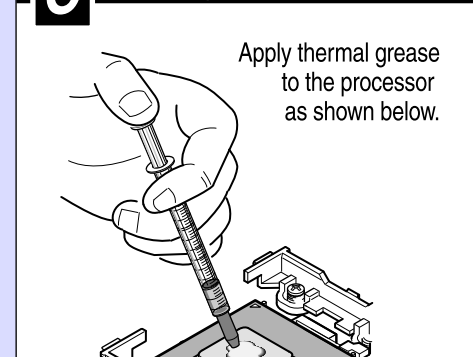
Install the Retention Mechanism (RM) for the primary processor by inserting the RM brackets and tightening the four screws.

B Attaching the Processor



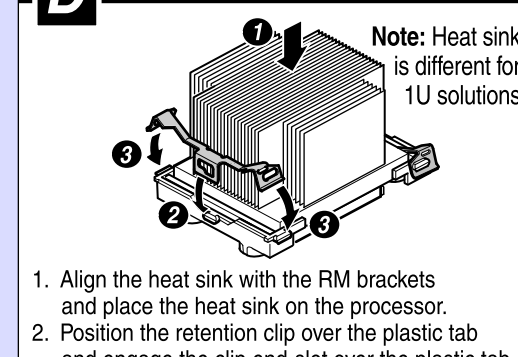
1. Lift the socket lever.
2. Align the Alignment Triangle Mark on the processor with the Alignment Triangle Cutout on the socket.
3. Insert the processor in the socket and close the socket lever.

C Applying Thermal Grease

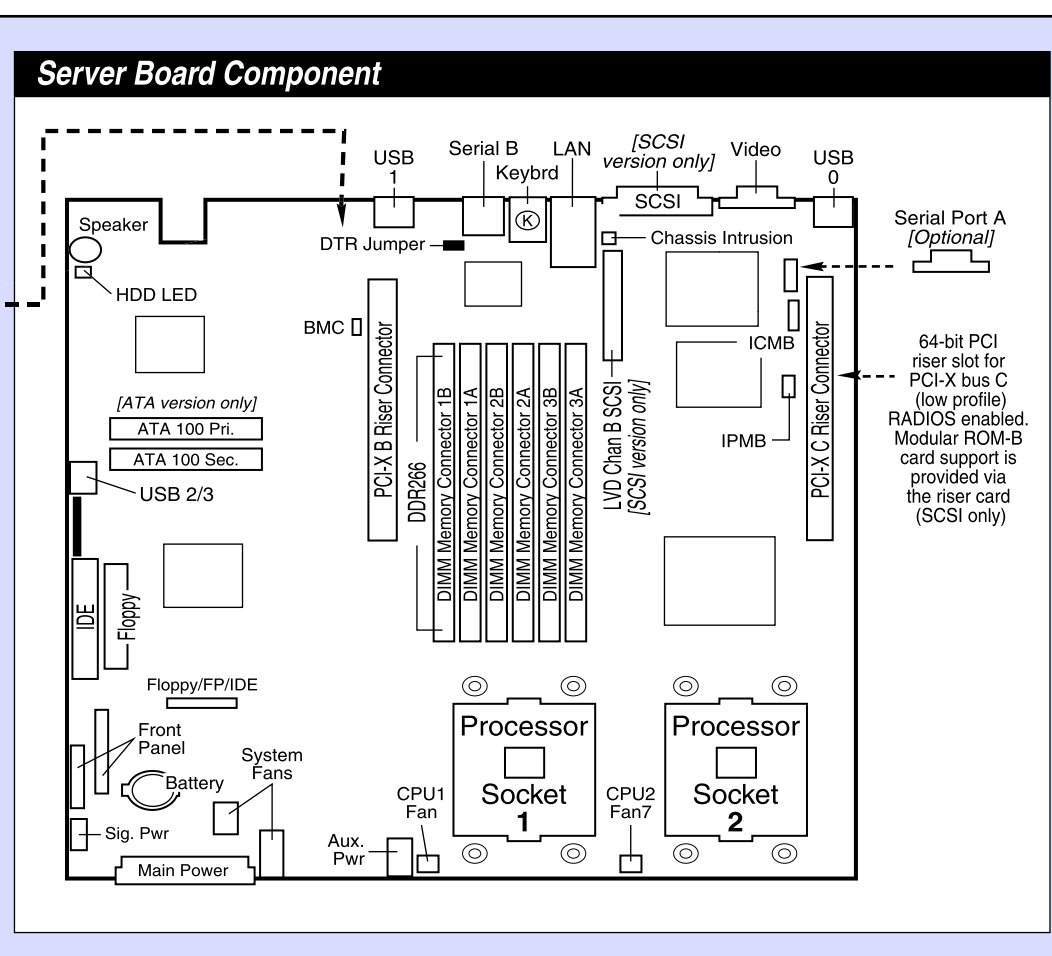


Apply thermal grease to the processor as shown below.

D Attaching the Heat Sink



1. Align the heat sink with the RM brackets and place the heat sink on the processor.
2. Position the retention clip over the plastic tab and engage the clip end-slot over the plastic tab.
3. Press downward on the RM clip ends until they engage the plastic tabs.
4. Repeat steps 1-3 for the second heat sink RM.



3 Installing Memory

DIMMs must be installed in PAIRS, beginning with Slots 1B and 1A.

1. Open both DIMM Socket Levers.
2. Insert DIMM making sure the connector edge of the DIMM aligns correctly with the slot.
3. Check that socket levers are securely latched.

Note: Use DDR266. See "Minimum Hardware Requirements" in your SE7501WV2 Product Guide for correct DIMM specifications.

Avoid touching gold contacts when handling or installing DIMMs.

4 Getting Started with Intel® Server Management and Intel® SMaRT Tool (Optional)

DID YOU KNOW?

You can use the bag from your server board as an anti-static pad during installation.

Some Accessories and Order Codes	
1U SCSI Backplane	BCW1USBPWB
1U ATA Backplane	BCW1UABPWB
DVD-ROM/Floppy Module	AXXDVFLOPPY
CD-ROM/Floppy Module	AXXCDFLOPPY
RJ45 to DB9 Serial Connector Converter	AXXRJ45DB9
Intel® Server RAID Controllers	
SRCU32U	SRCU32U
SRCZCR	SRCZCR
Intel® PRO/100 XT Server Adapter	PWLA8490XTL

A complete list of accessories and spares can be found at: www.intel.com/go/serverbuilder

Intel® Server Management Software and the Service Partition provide real-time monitoring and alerting for your SE7501WV2 server hardware, as well as emergency remote management and remote server setup. Intel Server Management is implemented by installing it within the client-server architecture.

The Service Partition on the server hard drive lets you remotely access the server for emergency management, server setup, and BIOS / firmware updates. The remote access may be accomplished through either a modem or LAN connection.

The Intel® Server Maintenance and Reference Training (SMaRT) Tool is an interactive software utility that provides support information to assist with the maintenance and repair of Intel-based server systems and accessories. The SMaRT Tool features visual, step-by-step instructions for replacing parts, a complete Field Replacement Unit (FRU) database containing part numbers and images, product spares lists, and worldwide Intel support information.

Intel Server Management provides an interface to the SMaRT Tool so error detection and alerting are combined with interactive maintenance and repair assistance. To activate Intel Server Management's interface with the SMaRT Tool, both software programs need to be installed.

The information here describes the installation of the Service Partition, Intel Server Management and the SMaRT Tool on a system running a Microsoft Windows® operating system. To install the Service Partition or Intel Server Management on other operating systems, see the Installation Guide & User Guide located in the "ISM/Docs" folder on the Intel Server Management CD-ROM. The SMaRT Tool may only be installed on a system running a Microsoft Windows® operating system.

Note: Prior to installation, uninstall any previous version of Intel Server Management.

Installing the Service Partition (optional)

Note: The Service Partition should be installed before installing the operating system.

Install your Operating System

Install your operating system now.

1. Insert the System Resource CD into the server's CD-ROM drive.
2. Restart or power on the server.
3. Press <Esc> during the boot cycle.
4. When POST completes, the system will display the Select Boot Device dialog box. Choose ATAPI CD-ROM and press <Enter>.
5. The Server Configuration Wizard will automatically start. Select <Continue>, Server Configuration Wizard and <Continue>, then <Run Wizard>.
6. Select Install / Update a Service Partition. In addition, you may choose to configure other server management options at this time.
7. Continue following the on-screen directions. Access the on-line help as necessary.
8. When the server reboots, you are ready to install your operating system.

Install Intel Server Management

With the system running, insert the ISM CD. On a Windows system, the Setup program will autorun. Choose ISM to initiate the the setup.exe program. Follow the onscreen directions. For more details, see the ISM Installation and User's Guide.

Installing Intel SMaRT Tool

The Intel SMaRT Tool may only be installed on a system running a Microsoft Windows® operating system. To download the SE7501WV2 SC5200 server system module for the SMaRT Tool, you must have internet access. The SMaRT Tool may be installed on chassis other than the SC5200. However, only information on the SE7501WV2 server board with the SC5200 chassis will be displayed.

1. Insert the Intel Server Board SE7501WV2 Resource CD into the system's CD-ROM drive. The Setup program will autorun.
2. Click on Intel® SMaRT Tool in the menu on the left side of the screen.
3. In the green Make a Selection drop-down menu, select SMaRT Tool Install Guide. Print and review the SMaRT Tool Install Guide before proceeding.
4. In the Make a Selection drop-down menu, select Install SMaRT Tool.
5. Click on the Run Installer icon to launch the SMaRT Tool Setup program.
6. Follow the on-screen installation instructions. Review the Intel Software License Agreement and click Accept. When installation is complete, launch SMaRT Tool.
7. In the SMaRT Tool Welcome page, click on Systems.
8. Select Select System > Servers > Xeon > SE7501WV2 SC5200 and then follow the on-screen instructions to download the SE7501WV2 SC5200 server system module. When download is complete, SMaRT Tool will restart.
9. Select Systems > Select System > Servers > Xeon > SE7501WV2 SC5200 to access information on your new server system.
10. You can invoke SMaRT Tool directly from Intel Server Management's Platform Instrumentation Control application by clicking on the SMaRT Tool icon, or by selecting Launch SMaRT Tool from the SMaRT Tool menu. The interface between the two programs is context-sensitive. To find out more about the integration between Intel SMaRT Tool and Intel Server Management, please select SMaRT Tool and Server Management in the green Make a Selection drop-down menu.

