



Intel[®] SRMK2 Internet Server

Technical Product Specification



February 26, 2001

iPN A39185-001

Revision History

Revision	Revision History	Date
1.0	Original draft	October 18, 2000
1.1	First update	January 25, 2001
1.2	Second update	February 26, 2001

Information in this document is provided in connection with Intel products. No license, express or implied, by estoppel or otherwise, to any intellectual property rights is granted by this document. Except as provided in Intel's Terms and Conditions of Sale for such products, Intel assumes no liability whatsoever, and Intel disclaims any express or implied warranty, relating to sale and/or use of Intel products including liability or warranties relating to fitness for a particular purpose, merchantability, or infringement of any patent, copyright or other intellectual property right. Intel products are not intended for use in medical, life saving, or life sustaining applications.

Intel retains the right to make changes to specifications and product descriptions at any time, without notice.

The Intel® SRMK2 Internet Server may contain design defects or errors known as errata that may cause the product to deviate from published specifications. Current characterized errata are available on request.

Contact your local Intel sales office or your distributor to obtain the latest specifications before placing your product order.

Copies of documents which have an ordering number and are referenced in this document, or other Intel literature, may be obtained from:

Intel Corporation

P.O. Box 5937

Denver, CO 80217-9808

or call in North America 1-800-548-4725, Europe 44-0-1793-431-155, France 44-0-1793-421-777,

Germany 44-0-1793-421-333, other Countries 708-296-9333.

† Third-party brands and names are the property of their respective owners.

Copyright © 2000, Intel Corporation. All rights reserved.

Preface

This Technical Product Specification (TPS) identifies components and software integrated with the Intel® SRMK2 Internet Server. These components include the serverboard, riser card, front panel board, hot-swap backplane, system BIOS, Advanced Server Management (ASM) software, chassis, and power supply. Certifications, reliability, and serviceability of the system are also discussed.

Intended Audience

This TPS provides detailed technical information about the SRMK2 Internet Server and its internal components. This information is intended for xSPs, OEM engineers, vendors, system integrators, and other engineers and technicians who need this level of information. It is *not* intended for general audiences.

Typographical Conventions

This section describes the conventions used in this specification. Not all of these symbols and abbreviations appear in all specifications of this type.



NOTE

Notes call attention to important information.



CAUTION

Cautions are included to help you avoid damaging hardware and losing data.



WARNING

Warnings indicate conditions that, if not observed, can cause personal injury.

<Blank Page: Prevention words>

Contents

1	INTRODUCTION.....	11
2	CHASSIS DESCRIPTION	13
2.1	EXTERNAL CHASSIS FEATURES.....	13
2.1.1	Chassis Dimensions.....	13
2.1.2	Colors of Chassis.....	13
2.1.3	Front View of Chassis.....	14
2.1.4	Rear View of Chassis.....	15
2.2	INTERNAL CHASSIS FEATURES.....	15
2.2.1	AC Power Supply.....	15
2.2.2	DC Power Supply.....	19
2.2.3	BTU information.....	19
2.2.4	System Cooling.....	20
2.2.5	System Peripheral Bays.....	21
2.2.6	System Interconnection.....	21
2.3	SYSTEM CONFIGURATION	23
3	SRMK2 SERVERBOARD DESCRIPTION	24
3.1	OVERVIEW	24
3.2	SERVERBOARD LAYOUT.....	25
3.3	PROCESSORS.....	27
3.4	CHIPSET	28
3.4.1	ServerWorks CNB30LE North Bridge Chip.....	28
3.4.2	ServerWorks OSB4 South Bridge Chip.....	29
3.5	MEMORY.....	30
3.6	SCSI HOST BUS INTERFACE	31
3.6.1	SCSI Hard Drive LED Connector (Optional).....	31
3.7	IDE INTERFACE.....	31
3.8	USB.....	31
3.9	I/O CONTROLLER.....	32
3.9.1	Serial Port.....	32
3.9.2	Diskette Drive Controller	32
3.9.3	Keyboard and Mouse Interface.....	32
3.9.4	Real-Time Clock, CMOS SRAM, and Battery.....	32
3.10	INTEL® 82559 10/100 ETHERNET CONTROLLERS.....	33
3.11	VIDEO INTERFACE.....	33
3.12	HARDWARE MONITOR.....	34
3.13	WAKE ON RING AND RESUME ON RING.....	35
3.13.1	Wake on Ring.....	35
3.13.2	Resume on Ring.....	35
3.14	SPEAKER.....	35
3.15	FAN SUPPORT	36
3.16	BASEBOARD PROGRAMMING.....	36
3.16.1	PCI Configuration Space Map.....	36
3.16.2	Interrupts	36
3.16.3	SMI and NMI Routing.....	37
3.16.4	System Management Bus (SMB)	37
3.17	BASEBOARD CONNECTORS AND JUMPERS.....	38

3.17.1	<i>Back Panel I/O Connectors</i>	39
3.17.2	<i>Midboard Connectors</i>	41
3.17.3	<i>Front Panel Connector</i>	48
3.18	JUMPER BLOCKS.....	50
3.19	THERMAL CONSIDERATIONS.....	52
3.20	DC VOLTAGE REGULATION	53
4	PCI RISER BOARD	54
4.1	INTRODUCTION	54
4.2	RISER BOARD PCI BUS CONNECTORS.....	54
4.3	PCI ADD-IN CARDS.....	54
4.4	RISER BOARD PCI INTERRUPT ROUTING MAP	55
5	FRONT PANEL BOARD	57
5.1	INTRODUCTION	57
5.2	FRONT PANEL SWITCHES.....	57
5.3	FRONT PANEL LED INDICATORS.....	58
5.4	FRONT PANEL I/O CONNECTOR	58
6	SCSI BACKPLANE	59
6.1	INTRODUCTION	59
7	BIOS DESCRIPTION	61
7.1	OVERVIEW	61
7.2	SYSTEM BIOS.....	61
7.2.1	<i>Configuration Utility</i>	62
7.2.2	<i>CMOS Configuration RAM Summary</i>	62
7.2.3	<i>Flash Memory Update Utility</i>	62
7.2.4	<i>Fail-Safe BIOS Extensions</i>	62
7.2.5	<i>System Flash ROM Layout</i>	62
7.3	SYSTEM BIOS.....	63
7.3.1	<i>Auto-Configuration Features</i>	63
7.3.2	<i>Performance Features</i>	67
7.3.3	<i>Reliability Features</i>	69
7.3.4	<i>System Services</i>	71
7.3.5	<i>Boot Options</i>	74
7.3.6	<i>OEM Customization</i>	75
7.3.7	<i>SMBIOS Support</i>	78
7.3.8	<i>Soft Power Switch</i>	79
7.3.9	<i>POST Memory Manager Support</i>	80
7.3.10	<i>ACPI Support</i>	80
7.4	FAIL-SAFE BIOS EXTENSIONS.....	81
7.4.1	<i>LAN Alerts</i>	81
7.4.2	<i>WatchDog Timer (WDT)</i>	81
7.4.3	<i>Paging Support</i>	82
8	FLASH MEMORY UPDATE UTILITY	83
8.1	LOADING THE SYSTEM BIOS	83
9	ERROR HANDLING, MESSAGES & BEEP CODES	84
9.1	ERROR SOURCES AND TYPES.....	84
9.2	ERROR HANDLERS	84

9.3	ISA BUS ERROR.....	85
9.3.2	Processor Bus Error.....	86
9.3.3	Memory Bus Error.....	87
9.3.4	System Limit Error.....	87
9.3.5	Processor Failure.....	87
9.4	ERROR MESSAGES AND ERROR CODES.....	87
10	BIOS SETUP PROGRAM.....	90
10.1	MAINTENANCE MENU.....	91
10.2	MAIN MENU.....	91
10.3	ADVANCED MENU.....	92
10.4	SECURITY MENU.....	93
10.5	BOOT MENU.....	93
10.6	SYSTEM MANAGEMENT MENU.....	94
10.7	EXIT MENU.....	96
11	CERTIFICATION.....	97
11.1	SAFETY STANDARDS / CERTIFICATIONS.....	97
11.2	ELECTROMAGNETIC COMPATIBILITY (EMC) REGULATIONS.....	97
11.3	ELECTROMAGNETIC COMPATIBILITY NOTICES (SRMK2S).....	98
11.3.1	Japan.....	98
11.3.2	Canada.....	98
11.3.3	FCC/emissions disclaimer – Class A (USA).....	98
11.3.4	Taiwan (BSMI).....	99
11.4	ELECTROMAGNETIC COMPATIBILITY NOTICES (SRMK2D).....	99
11.4.1	Japan.....	99
11.4.2	Canada.....	99
11.4.3	FCC/emissions disclaimer – class B (USA).....	99
11.5	FCC DECLARATION OF CONFORMITY.....	100
11.5.1	SRMK2D.....	100
11.5.2	Taiwan (BSMI).....	100
11.6	MANDATORY / STANDARD: CERTIFICATIONS, REGISTRATION, DECLARATIONS.....	101
11.7	ENVIRONMENTAL LIMITS.....	101
12	RELIABILITY AND SERVICEABILITY.....	102
12.1	RELIABILITY.....	102
12.2	SERVICEABILITY.....	102
13	COMPATIBILITY TESTING.....	103
14	SPECIFICATIONS AND CUSTOMER SUPPORT.....	104
14.1	ONLINE SUPPORT.....	104
14.2	SPECIFICATIONS.....	104

Conventions and Terminology

This document uses the following terms and abbreviations:

Term	Definition
Ω	Ohms
μA	0.000001 amperes
μF	microfarad
A	amperes (amps)
AC	Alternating Current
ACPI	Advanced Configuration Power Interface
AGP	Accelerated Graphics Port
ASCII	American Standard Code for Information Interchange
ASIC	Application Specific Integrated Circuit
BIOS	Basic Input Output System
Byte	8-bit quantity
C	Centigrade
CD	Compact Disk
CD-ROM	Compact Disk Read Only Memory
CE	Community European
cfm	Cubic feet per minute
CMOS	Complementary Metal-Oxide Semiconductor
CPU	Central Processing Unit
DC	Direct Current
DCD	Data Carrier Detect
DEMKO	Danische Elektriske Materiealkontroll (Danish Board of Testing and Approval of Electrical Equipment)
DIMM	Dual Inline Memory Module
DMA	Direct Memory Access
DRAM	Dynamic Random Access Memory
ECC	Error Correction Code
EDO	Extended Data Out
EEPROM	Electrically Erasable Programmable Read Only Memory
EMC	Electromagnetic Compatibility
EMI	Electromagnetic Interference
EN	European Standard (Norme Européenne or Europäische Norm)
ESD	Electrostatic Discharge
EU	European Union
F	Fahrenheit
FC-PGA	Flip Chip Pin Grid Array
FCC	Federal Communications Commission (USA)
FD	Floppy Disk
FET	Field Effect Transistor
FP	Front Panel
FPC	Front Panel Controller
FRU	Field Replaceable Unit
GB	gigabyte (1024 MB)
Hz	Hertz (cycles per second)
I/O	Input/Output
IC	Inter-Integrated Circuit
IDE	Integrated Drive Electronics
ISA	Industry Standard Architecture
KB	kilobyte (1024 bytes)
kg	Kilograms
kV	Kilovolts

LED	Light Emitting Diode
LVD	Low Voltage Differential
mA	milliamps
MB	megabyte (1024 KB)
MBE	Multi-bit Error
MIF	Management Information database
mm	millimeters
ms	milliseconds
MTBF	Mean Time Between Failure
MTTR	Mean Time To Repair
NEMKO	Norges Elektriske Materiekkontroll (Norwegian Board of Testing and Approval of Electrical Equipment)
NIC	Network Interface Card
NMI	Non-Maskable Interrupt
NVRAM	Non-Volatile Random Access Memory
OCP	Over-Current Protection
OEM	Original Equipment Manufacturer
OTP	Over-Temperature Protection
OVP	Over-Voltage Protection
PAC	PCI/AGP Controller
PCI	Peripheral Component Interconnect
Pf	picofarad (10^{-12})
PFC	Power Factor Correction
OSB4	PCI-ISA IDE Xcelerator controller
PIO	Programmed Input/Output
PLD	Programmable Logic Device
POST	Power-On Self Test
PPGA	Plastic Pin Grid Array
PXE	Preboot Execution Environment
RAM	Random Access Memory
RPM	Revolutions Per Minute
RxD	Receive Data
SBE	Single-bit Error
SCL	Serial Clock
SCSI	Small Computer Systems Interface
SDA	Serial Data
SE	Single Ended
EEPROM	Serial Electrically Erasable Programmable Read Only Memory
SEL	System Event Log
SEMKO	Sverige Elektriske Materiekkontroll (Swedish Board of Testing and Approval of Electrical Equipment)
SIO	Super I/O
SMB	System Management Bus
SMC	Standard Microsystems Corporation
SMBIOS	System Management BIOS
SMI	System Management Interrupt
SMM	System Management Module
TTL	Transistor-Transistor Logic
TxD	Transmit Data
UART	Universal Asynchronous Receiving/Transmitting
UL	Underwriter's Laboratories
USB	Universal Serial Bus
V	Volt
VA	Volt amperes
Vac	Volts alternating current

VCCI	Voluntary Control Council for Interference (by data processing and electronic office equipment)
Vdc	Volts direct current
Vin	Volts in
VRM	Voltage Regulator Module
Vrms	Volts root-mean-square
W	Watts
Wdc	Watts direct current
WOL	Wake on LAN
WOR	Wake on Ring
ZIF	Zero Insertion Force

1 Introduction

This document provides a detailed description of the chassis and system level features of the Intel® SRMK2 Internet Server. This system is a high-density rackmount server consisting of a 1U chassis and the SRMK2 serverboard. The server will come in two models: A SCSI based system (SRMK2S) and a SCSI based system with a –48V DC power supply (SRMK2D). Since both of these systems are based off of the SRMK2S product, this guide has been written to represent the SRMK2S. Notes and additions have been added to identify discrepancies between the SRMK2S and the SRMK2D.

Table 1 provides a list and brief description of the SRMK2 Internet Server’s key features.

Table 1: Intel® SRMK2S Internet Server key features

Feature	Description
1U chassis	1.70" (height) x 16.75" (width behind bezel) x 24" (depth)
Weight	Approximately 30lbs in-box shipping weight
Power supply	Single 200W AC power supply (200W DC supply comes with the SRMK2D)
Cooling	Nine system fans (Eight 40mm and one 17mm)
Rackmounting	Two midmount and Front mounting brackets or sliding rails (optional)
Hard disk capacity	Support for two 1" U160 Hot Swappable SCSI hard drives for internal configuration along with an external SCSI channel for external drives
Peripheral bays	Single standard slim diskette drive included with system. Optional slim-line CD-ROM drive available (works in conjunction with the standard diskette).
Peripheral Interfaces	Two Ultra 160 SCSI channels, one internal and one external (The internal channel has two SCA2 connector ports out the front of the machine) One IDE interface with UDMA support One rear serial port Two 10/100 82559 LAN Connectors One slim-line diskette interface LED Panel Interface Two USB ports Video Interface Two PS/2 ports
Microprocessor	Dual Pentium® III processors in PGA370 sockets
Memory capacity	Up to 4 GB of registered PC-100 or PC-133 ECC SDRAM DIMMs
LAN support	Integrated dual Intel® 82559 Pro/100+ Ethernet controllers featuring PXE 2.0 option ROM for network installation and booting of operating systems
Add-in card support	Passive PCI riser (64-bit/66MHz) supports a low -profile and a full-length (13") PCI card
System management	Two Heceta 3 hardware monitoring ASIC's which work in conjunction with Web-based management software (ASM).
BIOS	Intel/AMI BIOS with extensions to enhance server management capabilities

<This page was intentionally left blank>

2 Chassis Description

This section describes the features of the Intel® SRMK2 Internet Server chassis.

2.1 External Chassis Features

2.1.1 Chassis Dimensions

The chassis is 1.70 inches high by 16.75 inches wide behind the bezel by 24.00 inches deep (measured from the front of the bezel to the deepest portion of the rear bulkhead). The chassis is designed to be mounted in a relay-style rack using the two right-angle midmount or front mount brackets provided with the base system that attach to the chassis and two brackets that attach to the rack . It can also be installed in a standard 19" rack using a sliding rails kit (Optional).

Table 2: Chassis dimensions

Height	1.70" (1U)
Width	16.75" between the slide mounting surfaces
Depth	24" including bezel, 22.41" from front mounting flange to the rear panel
Shipping Weight	30lbs. maximum configuration (Fully loaded weight including box and all accessories)

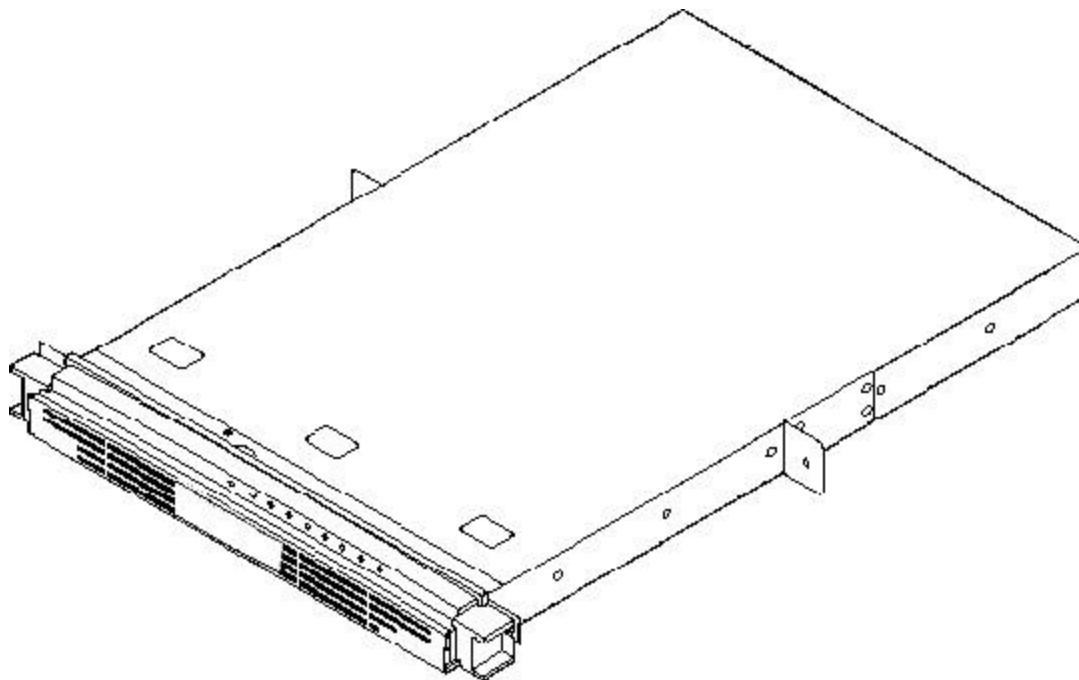


Figure 1: Isometric View of Chassis

2.1.2 Colors of Chassis

The primary exterior of the chassis is unpainted. The bezel is a molded black (GE701) plastic.

2.1.3 Front View of Chassis

The front bezel is a multiple-part plastic molding that contains the buttons, the LED indicator light pipes, and a flip-down door that spans half the width of the bezel and folds down (right striated portion in Figure 2 below). After pulling the flip door down the Power, Sleep, and Reset buttons as well as the NMI pin hole are revealed. This also reveals the floppy and CD-ROM bays. See Figure 3 for button placement. See Section 5 Front Panel Board for a complete description of the buttons and LEDs.

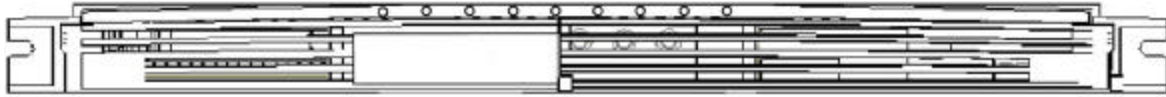


Figure 2: Front view of chassis with bezel on

Additionally, the front bezel can be removed to reveal the front of the chassis. To access the hot swappable SCSI hard disk drives, pivot the front panel out and to the right. Figure 3 shows the chassis with the front bezel removed and the front panel in the closed position.

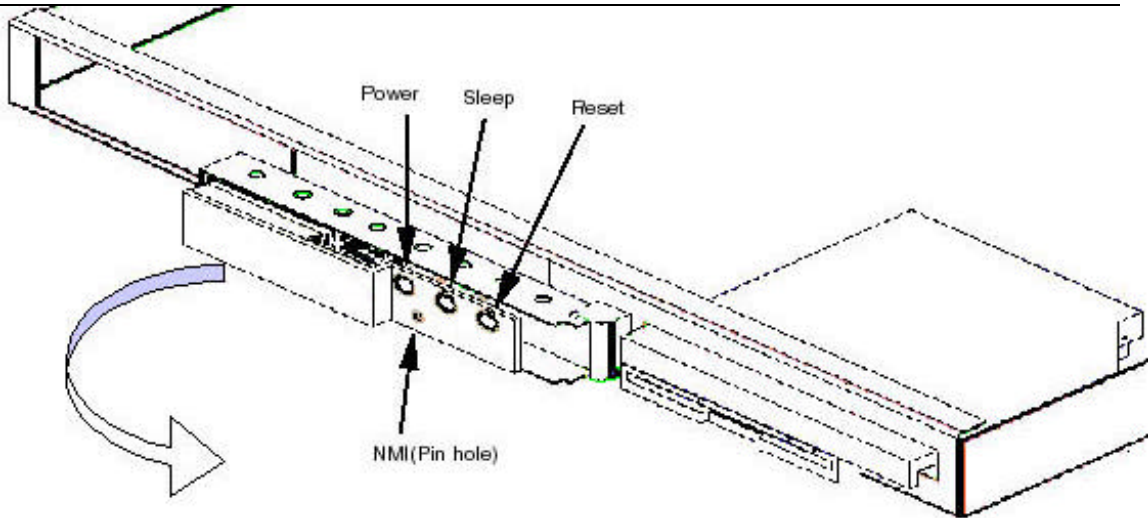


Figure 3: Front view of chassis without bezel

Upon pivoting the front panel out and to the right, the SCSI hard disk drive bays are revealed as shown in Figure 4 below.

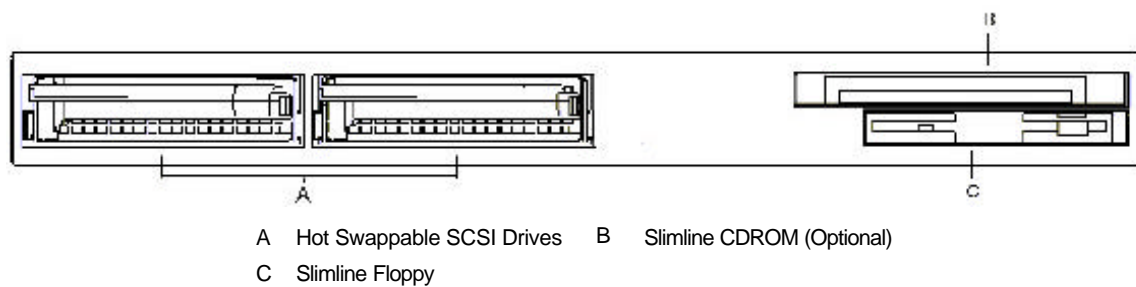
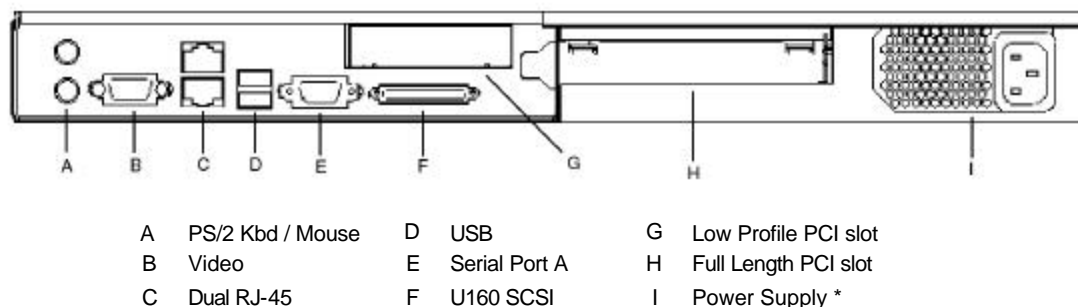


Figure 4: Front view of chassis without bezel (Does not show Front Panel swung out)

2.1.4 Rear View of Chassis

The input/output connectors are accessible at the back panel of the chassis as shown in Figure 5. See Section 3.17.1 Back Panel I/O Connectors for detailed descriptions of the rear panel I/O connectors.



* The power supply in the SRMK2D has a different connector

Figure 5: Rear view of chassis

2.2 Internal Chassis Features

2.2.1 AC Power Supply

The SRMK2 Internet Server can use two different power supplies, one being an AC 200W version which ships with the SRMK2S model and a -48V DC 200W version that ships with the SRMK2D model. For information on the DC model, see the Section 2.2.2 entitled *DC Power Supply*. The AC power supply uses a standard IEC 320 power cord and is a single auto-ranging power factor corrected power supply. The AC power supply rating is described in Table 3.

Table 3: 200W power supply output summary

DC Power	+3.3VDC at 13.0A Max. +5 VDC at 22A Max. +12 VDC at 3.5A Max. -12 VDC at 0.25A 5V Standby 1A
Total power from supply	202.9W
AC line voltage	90-135,180-265VAC PFC: auto sense
AC line frequency	47 / 63 Hz

2.2.1.1 Power Supply Mechanical Outline

Both AC and DC power supplies are 3.30”wide by 1.60” high by 9.60”in length. The output cable bundle is separated into two cables; one cable with two connectors for the serverboard, and the other with a connector for the backplane which in turn powers the HDD’s. The backplane also has a CDROM power connector.

2.2.1.2 Power Supply Fan Requirements

The power supply relies on cooling provided by two 40mm fans mounted in the chassis in front of the power supply. These fans are monitored by hardware on the motherboard and the Advanced Server Management software that comes on the Resource CD in the accessory kit.

2.2.1.3 AC Power Line

The system is specified to operate over two input voltage ranges that are automatically selected and rated from 100-120VAC and 200-240VAC, at 50 or 60Hz. The power supply incorporates Power Factor Correction (PFC) as a standard feature. The system is tested to meet these line voltages, and has been tested (but not specified) at +10% and -10% of the voltage ranges, and \pm 3Hz on the line input frequency. The system is specified to operate without error with line source interruptions not to exceed 20 milliseconds at nominal line conditions and full power supply output load. The system is not damaged by AC surge ring wave to 2.5kV/500A. This ring wave is a 100kHz damped oscillatory wave with a specified rise-time for the linear portion of the initial half-cycle of 0.5 μ sec. Additionally, the system will not be damaged by a unidirectional surge waveform of 2.0kV /3000A, with a 1.2 μ sec rise time and 50 μ sec duration. Further details on these waveforms can be obtained in ANSI/IEEE STD C62.45-1987.

2.2.1.4 DC Connector Requirements

Figure 6 and Figure 7 show the connector pinouts for the serverboard power connectors. These mate with the power supply connectors at connector J27 and J39.

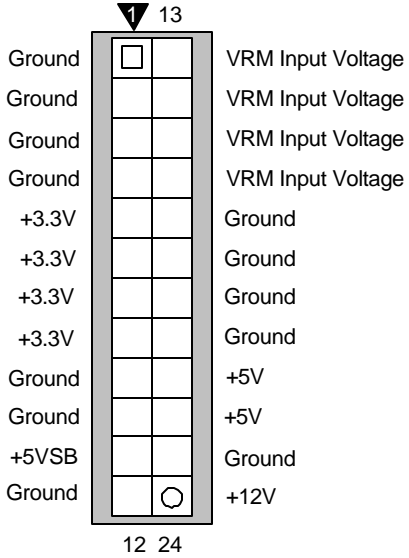


Figure 6: DC connector pinout (J27)

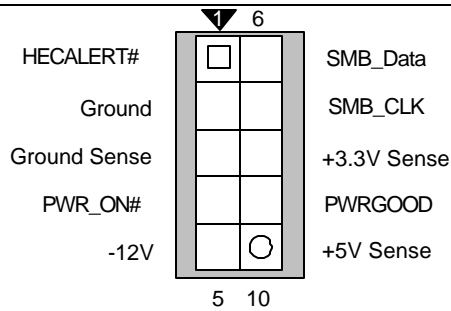


Figure 7: DC connector pinout (J39)

2.2.1.5 Power Supply Wiring Requirements

The wiring length and the desired wire color-coding are specified in Figure 8.

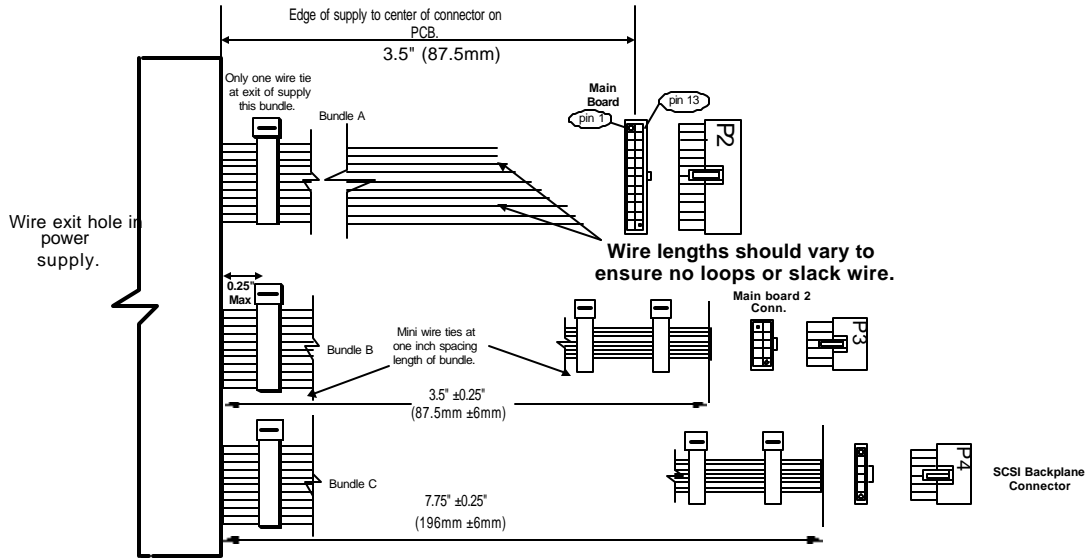


Figure 8: DC output wire harness

Table 4: Baseboard Power Connector (P2)

Pin	Signal Name	20 AWG Wire	Pin	Signal Name	20 AWG Wire
1	Ground	Black	13	VRM Input	Red
2	Ground	Black	14	VRM Input	Red
3	Ground	Black	15	VRM Input	Red
4	Ground	Black	16	VRM Input	Red
5	+3.3V	Orange	17	Ground	Black
6	+3.3V	Orange	18	Ground	Black
7	+3.3V	Orange	19	Ground	Black
8	+3.3V	Orange	20	Ground	Black
9	Ground	Black	21	+5V	Red
10	Ground	Black	22	+5V	Red
11	+5VSB	Purple	23	Ground	Black
12	Ground	Black	24	+12V	Yellow

Table 5: Baseboard Power Connector (P3)

Pin	Signal Name	20 AWG Wire	Pin	Signal Name	20 AWG Wire
1	HECALERT#*	N/A	6	SMB_Data*	N/A
2	Ground	Black	7	SMB_CLK*	N/A
3	Ground Sense	Black	8	+3.3V Sense	Brown
4	PWR_ON#	Green	9	PWRGOOD	Grey
5	-12V	Blue	10	+5V Sense	Red

* These pins are not stuffed or used on the SRMK2 power supply

Table 6: SCSI Backplane Power Connector (P4)

Pin	Signal Name	20 AWG Wire
1	+12V	Yellow
2	+12V	Yellow
3	Ground	Black
4	Ground	Black
5	+3.3V	Orange
6	+5V	Red

2.2.2 DC Power Supply

The SRMK2D model ships with a –48V DC power supply. The output of the DC power supply is electrically identical to that of the AC power supply (see Table 3 for reference), it shares the same physical dimensions as the AC power supply, the same mounting, and the same power cabling to the motherboard. It does vary, however, in its electrical specification for line input and has a different interface on the rear of the chassis than the AC module. The interface on the back of the DC power supply has four phillips screws that are protected by a cover for shipping. Removing the cover reveals the four screws. A label should show the screw markings to be: A+ A- B+ B- . The A+ and A- connectors can be attached to a primary power source for the server, while the B+ and B- leads can be connected to a secondary power source for redundant power sourcing in case of primary source failure. Table 7 shows the input parameters for the –48V DC power supply.

Table 7: -48V DC Power Supply Input Parameters

Parameter	Min	Nom	Max	Unit
Vin (-48VDC)	-36.0	-48.0	-72.0	VDC

2.2.3 BTU information

BTU's (British Thermal Units) are a standard for measuring the thermal output of a device. For reference, one BTU equals the heat that will raise the temperature of one pound of water by one degree Fahrenheit. In physical terms, 1 BTU = 1054 joules. Listed below is the maximum BTU output of the SRMK2 system and a loaded system BTU output. System configuration of the loaded system is described in Table 9.

The BTU maximum rating was derived by taking the maximum wattage output of the power supply (202.9W), dividing it by the lowest efficiency of the power supply (70% or 0.70) and multiplying by the BTU conversion number of 3.41. Remember that these numbers are rated at

the worst case (lowest efficiency) of the power supply. Under nominal conditions the power supply should perform above the 70% efficiency level which will lower the BTU rating.

Table 8: Overall BTU Ratings

BTU (Loaded)	BTU (Max)
314 BTU	988 BTU

Table 9: Loaded System Configuration

Device	Configuration	Manufacturer / Type
CPU #1	733MHz (133 FSB)	Intel Pentium III
CPU #2	733MHz (133 FSB)	Intel Pentium III
Memory	256MB	Micron 133
HDD #1	SCSI 9.1GB	Quantum Atlas V
HDD #2	SCSI 9.1GB	Quantum Atlas V
CD	Slimline CD	Teac CD224EB
Floppy	Slimline Floppy	Sony MPF 720-3

Table 10: Loaded System Power Draw

Voltage Rail	Current (Measured)	Power (W)
+3.3V	4.1A	13.53 W
+5V	6.7A	33.5 W
-5V	0.1A	0.5 W
+12V	1.3A	15.6 W
-12V	0.1A	1.2 W
+5VSB	0.1A	0.5 W
Total		64.83 W

2.2.4 System Cooling

Nine 40mm fans provide cooling for the system. Two of the nine fans are dedicated to cooling the power supply. Six of the fans provide cooling for the processor, memory, and serverboard. One fan cools the full-length PCI slot (this last fan is 40mm x 17mm and is a bit thinner than the other 40mm x 28mm fans). A two-speed control circuit powers the fans and is located on the SCSI backplane. The control circuit is driven by a sensor that is located on the front panel to monitor the incoming air temperature. The fans have a tachometer output that can be sampled through the ServerWorks[®] ServerSet[™] III LE chipset. The fans can be replaced by removing the top cover, unplugging the fan connector from the serverboard, lifting the fan out of the fan bracket, and then inserting the new fan. Additionally, a baffle will be added to help keep the processors and the memory cool. You should always replace the baffle in the system when you are through working on the system.

2.2.5 System Peripheral Bays

2.2.5.1 CD-ROM and Diskette Drive Bay

The right side of the system (as viewed from the front) contains the CD-ROM and diskette drive bays. Opening the door in the bezel exposes these peripherals. A slim-line diskette drive is provided with the system and a slim-line CD-ROM is an optional addition. For information on how to add/remove the CD-ROM and floppy, please refer to the instruction sheet that comes with the optional CD-ROM.

2.2.5.2 Internal 3.5" SCSI Hard Drive Bay

Space is provided for two 3.5" long, 1-inch thick hard drives. There are two removable Hudson drive carriers provided that slide into two front disk drive bays on the front left side of the chassis (behind the removable front bezel). Each drive can be accessed and replaced by removing the front bezel, rotating the front panel out of the way (See Figure 3), releasing the handle on the HDD carrier, and pulling the carrier from the drive bay. A pair of LEDs on the front panel flash green to indicate drive activity for each drive (LED's 8 and 9). In addition, the two SCSI HDD bays are hot swappable.

2.2.6 System Interconnection

2.2.6.1 System Internal Cables

Table 11 lists the internal cables within the system. An *italicized* item is an optional accessory kit and is not supplied with the base system.

Table 11: System internal cables

Cable Purpose	Qty	Description
SCSI hard drives	1	Standard 68-pin Wide SCSI cable with a LVD/SE terminator which connects to the serverboard and the SCSI backplane
Front panel	1	50-pin flex cable; connects from front panel connector on the serverboard to the front panel board.
Fan backplane	1	High density cable connects from the serverboard to the backplane to provide system management monitoring of the system fans.
Slim-line diskette drive	1	26-pin flex cable; connects from high-density diskette drive connector on the serverboard to one slim-line diskette drive
<i>Slim-line CD-ROM drive*</i>	1	Standard 40-pin IDE cable with 2 connectors; connects from secondary IDE connector on the serverboard to one slim-line CD-ROM drive

* Optional Accessory

2.2.6.2 System Cable Drawings

Figure 9 shows drawings of all the internal cables within the system and the locations of their folds. Where applicable, the darker line indicates pin 1.

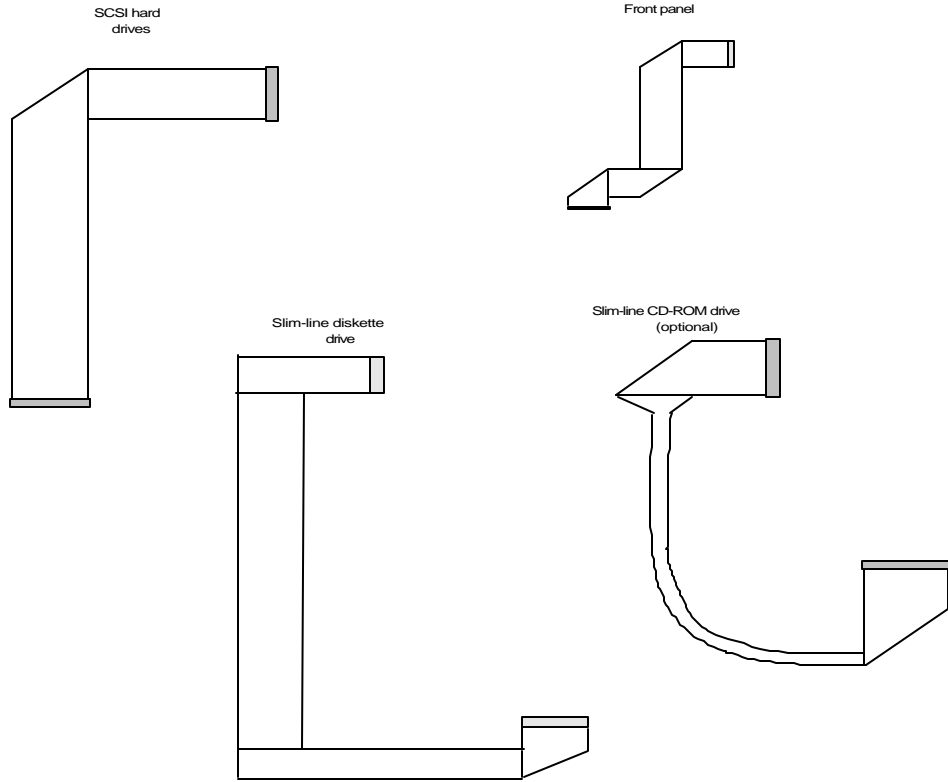


Figure 9: Internal cables

2.3 System Configuration

Table 12 lists the base configuration of the SRMK2S Internet Server.

Table 12: Standard configuration

Description	Qty
SRMK2 serverboard	1
Dual-slot 66/64 PCI riser	1
Front panel board	1
200W power supply	1
System fans	9
SCSI Hard drive carriers	2
3.5" slim-line diskette drive with bracket	1
SCSI Hot swap backplane	1
SCSI backplane cable	1
Slimline floppy diskette drive cable	1
Front panel cable	1
Fan backplane cable	1
Front and Midmount brackets *	2
Heatsinks *	2

* Items that come in the Accessory Kit

Table 13 lists optional accessories. These accessories can be ordered:

Table 13: Optional accessories

Description	Product Code	Qty
Slim-line CD-ROM comes with one IDE cable, installation instructions, and backplane for slim-line CD-ROM drive	ACCCDROM001	1
Jonathan Manufacturing sliding rail kit	ACCRAILKIT001	1

3 SRMK2 Serverboard Description

3.1 Overview

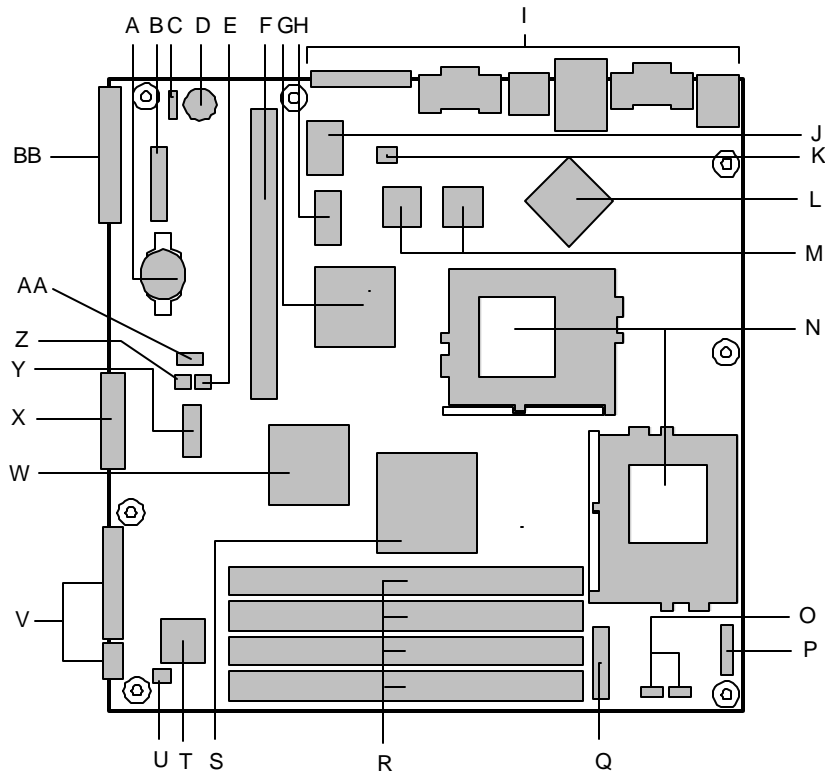
The SRMK2 serverboard features are summarized in Table 14.

Table 14: SRMK2 feature summary

Form Factor	Serverboard dimension: 10.4" x 11.3"
Processor	Supports Dual Pentium® III processors using PGA370 sockets
Memory	<ul style="list-style-type: none">• Four 168-pin dual inline memory module (DIMM) sockets• Supports only registered SDRAM DIMMs• Supports up to 4 GB of ECC, SPD Registered SDRAM DIMMs
Chipset	ServerWorks® ServerSet™III LE Chipset, consists of: <ul style="list-style-type: none">• ServerWorks CNB30LE North Bridge Front Side Bus Interface chip• ServerWorks OSB4 South Bridge chip
I/O Control	SMSC FDC37B782 I/O controller
Peripheral Interfaces	<ul style="list-style-type: none">• Two integrated Intel® 82559 10/100BASE-T Ethernet controllers• One high-density diskette drive interface for slimline diskette drive• Two U160 SCSI channels (one internal and one external wide interface connector)• One IDE interface with low profile CD support• One serial port• Two USB ports• Two PS/2 interfaces for keyboard and mouse• LED panel interface• One rear panel video interface
Expansion Capabilities	One 64/66 plug-in riser card expansion PCI bus slot which can fit a 2x11 riser sideband connector supporting two PCI slots – One full length card and the other low profile.
BIOS	<ul style="list-style-type: none">• Intel/AMI BIOS• Intel® 8-Mbit boot block flash memory• Supports SMBIOS, Advanced Configuration and Power Interface (ACPI), and Plug and Play (see section 14.2 Specifications for specification compliance levels)
Other Features	<ul style="list-style-type: none">• Speaker• (2) Hardware monitor chips• Wake on Ring• Wake on LAN• SCSI LED connector

3.2 Serverboard Layout

Figure 10 shows the location of the major components on the serverboard.



A	Battery	N	PGA370 processor sockets
B	Slimline Floppy Connector	O	Heceta 3 hardware monitor controllers
C	Wake on LAN Header	P	Fan backplane connector
D	Speaker	Q	Front panel connector
E	Clear Password Jumper	R	DIMM sockets
F	64/66 PCI Bridge Connector	S	SCSI LED Header
G	ServerWorks® ServerSet™ South Bridge	T	Gluechip
H	BIOS Flash memory	U	Power supply connector
I	Back panel I/O connectors	V	ServerWorks® ServerSet™ North Bridge
J	SMSC I/O controller	W	Adaptec® 7899 SCSI controller
K	Wake on Ring Header	X	Password override jumper
L	ATI Rage XL Video	Y	Clock generator
M	Intel® 82559 10/100 Ethernet controllers	Z	Whitebox / Appliance Jumper
		AA	Internal SCSI connector
		BB	Primary IDE connector

Figure 10: Serverboard components

Figure 11 is a block diagram of the SRMK2 serverboard.

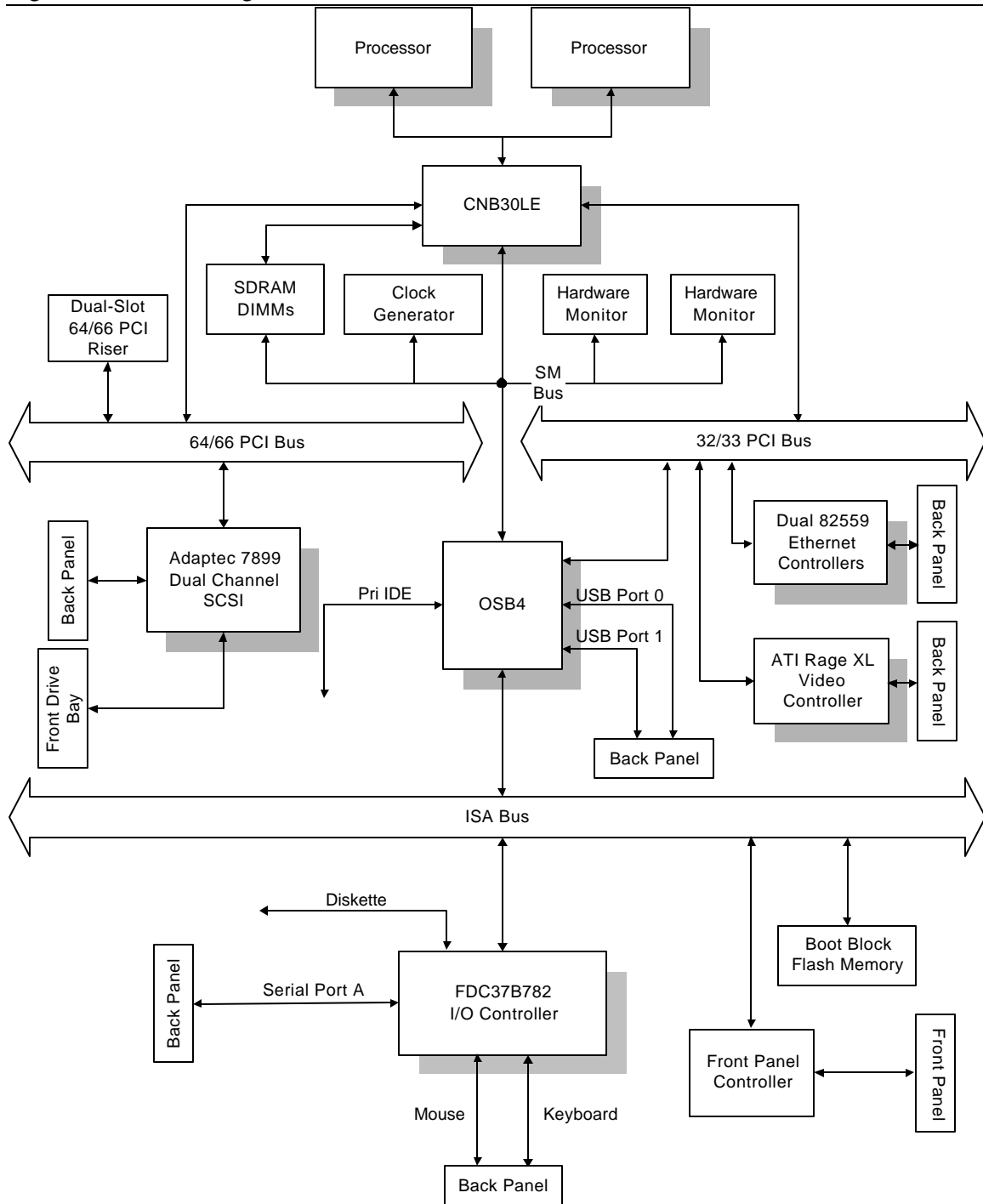


Figure 11: Serverboard block diagram

3.3 Processors

The SRMK2 serverboard supports dual Pentium® III processors. The host bus speed (100 MHz or 133 MHz) is automatically selected based on the speed of the processors placed in the PGA370 sockets. The processors must be secured by pushing the Zero-Insertion-Force (ZIF) socket's lever down. The Intel SRMK2 serverboard can run in either a Uniprocessor (UP) mode or Dual Processor (DP) mode. A terminator must be placed in the second processor PGA370 socket for UP mode operation. A terminator card is shipped with the unit and is installed in the second processor socket in the factory. Remove the terminator card if you wish to run in dual processor mode. Table 15 lists processors supported by the SRMK2.

Table 15: Processors supported by the SRMK2S serverboard

Processor Type	L2 Cache Size	FSB Speed	Speed
Pentium® III	256 KB	100 MHz	800 MHz
Pentium® III	256 KB	133 MHz	1.0 GHz
			933 MHz
			866 MHz
			800 MHz
			733 MHz



NOTE

The serverboard supports Pentium® III processors with a 133 MHz host bus. The serverboard may not operate reliably if a processor with a 133 MHz host is paired with 100 MHz SDRAM.

3.4 Chipset

The ServerWorks® ServerSet™ III LE chipset consists of the ServerWorks CNB30LE North Bridge chip and the ServerWorks OSB4 South Bridge chip. The CNB30LE provides an optimized DRAM controller. The I/O subsystem of the ServerWorks chipset is based on the OSB4 South Bridge, which is a highly integrated PCI ISA IDE Xcelerator Bridge.

3.4.1 ServerWorks CNB30LE North Bridge Chip

The ServerWorks CNB30LE North Bridge chip provides bus-control signals, address paths, and data paths for transfers between the processor's host bus, the PCI bus, and main memory.

The North Bridge features:

Processor Interface Control

- Support for processor host bus frequency of 100MHz and 133MHz
- 32-bit addressing
- Desktop-optimized GTL+ compliant host bus interface

Integrated DRAM Controller

- +3.3V only DIMM DRAM configurations
- Up to four double-sided DIMMs
- 100MHz or 133MHz SDRAM
- Support for up to 4GB of registered SDRAM
- DIMM serial presence detect via SMBus interface
- 16-, 64- and 128-Mbit devices with 2 KB, 4 KB, and 8 KB page sizes
- x 4, x 8, and x 16 DRAM widths
- Single error correction, multiple error detection
- Symmetrical and asymmetrical DRAM addressing
- ECC SEC/DED

PCI Bus Interface

- Complies with the PCI specification Rev. 2.1
- 64 bit, 33/66 MHz Secondary PCI bus interface with integrated PCI arbiter
- Asynchronous coupling to the host-bus frequency
- PCI parity generation support
- Data streaming support from PCI-to-DRAM
- Support for four PCI bus masters in addition to the host and PCI-to-ISA I/O bridge
- Support for concurrent host and PCI transactions to main memory

Data Buffering

- DRAM write buffer with read-around-write capability
- Dedicated host-to-DRAM, PCI0-to-DRAM, and PCI1-to-DRAM read buffers

Power Management

- Support for system suspend/resume
- Compliant with ACPI power management

SMBus Support for desktop management functions

Support for System Management Mode (SMM)

Glueless Serial interface with OSB4 South Bridge chip

3.4.2 ServerWorks OSB4 South Bridge Chip

The OSB4 South Bridge chip is a multifunctional PCI device implementing the PCI-to-ISA bridge, PCI IDE functionality, USB host/hub functionality, and enhanced power management. The OSB4 South Bridge features:

- Multifunctional PCI-to-ISA Address / Data bridge
- PCI Slave
- PCI Arbiter
- PCI Master
- Full ISA bus support
- ISA Arbiter
- One 8253 Counter/Timer
- Client Management
 - Temperature Sensing Inputs
 - Two I2C Bit Bang Interfaces for (GPOC)
 - Four general purpose I/O (GPMs)
- Support for the PCI bus at 33 MHz
- Support for PCI Rev 2.1 Specification
- Integrated dual-channel enhanced IDE interface
 - Support for up to four IDE devices
 - PIO Mode 4 transfers at up to 16 MB/sec
 - Support for Ultra DMA/33 synchronous DMA mode transfers at up to 33 MB/sec
 - Bus master mode with an 8 x 32-bit buffer for bus master PCI IDE burst transfers
- Enhanced DMA controller
 - Two 8237-based DMA controllers
 - Support for PCI DMA with three PC/PCI channels and distributed DMA protocols
 - Fast type-F DMA for reduced PCI bus usage
- Interrupt controller based on 82C59
 - Support for 15 interrupts
 - Programmable for edge/level sensitivity
- Power management logic
 - Sleep/resume logic
 - Support for Wake on Ring and Wake on LAN[†] technology
 - Support for APM and ACPI Revision 1.0
- Internal APIC Controller
- USB Interface
- SMB bus interface
- Glueless Serial interface with CNB30LE North Bridge chip
- Black Box Security Functions
 - 2X Passwords
 - CMOS Protection
 - Super I/O Security
- Real-Time Clock
 - 256-byte battery-backed CMOS SRAM
 - Date alarm
 - 16-bit counters/timers based on 82C54

3.5 Memory

The serverboard has four DIMM sockets. The serial presence detect (SPD) data structure which is programmed into an E²PROM on the DIMM instructs the BIOS on the SDRAM's size and speed. The minimum memory size is 64MB; the maximum memory size is 4GB. DIMMs can be populated in any order, but due to the 25 degree angle of the DIMM socket mountings it is physically easier to populate DIMMs starting with DIMM0 and moving towards DIMM3.

Memory size can vary between sockets and slot vacancy between DIMMs is permitted. Mixing of DIMM size is allowed as long as they are all registered DIMMs. For a list of compatible tested memory please visit the support site at support.intel.com.

The serverboard supports the following memory features:

- 168-pin SPD DIMMs with gold-plated contacts.
- 133 MHz and 100 MHz registered SDRAM DIMMs, 72-bit ECC, 3.3V memory.
- Single- or double-sided DIMMs in the sizes listed in Table 16.
- Registered DIMMs of the following sizes: 64M, 128M, 256M, 512M and 1G for a maximum memory size of 4 GB. Double stacked DIMMs may only be used if they are within the 4.33 mm maximum thickness imposed by the 25 degree DIMM socket spacing on the baseboard.

Table 16: Supported memory sizes and configurations

DIMM Size	Configuration	DRAM Technology	DRAM Depth	DRAM Width	Single-sided DIMM Size x 64 bit	Double-sided DIMM Size x 64 bit
64 MB	8 Mbit x 72	64Mb	4Mb	16 bit	X	8MB X 8B = 64MB
64 MB	8 Mbit x 72	64Mb	8Mb	8 bit	8MB X 8B = 64MB	X
128 MB	16 Mbit x 72	64Mb	8Mb	8 bit	X	16MB X 8B = 128MB
128 MB	16 Mbit x 72	64Mb	16Mb	4 bit	16MB X 8B = 128MB	X
64 MB	8 Mbit x 72	128Mb	8Mb	16 bit	8MB X 8B = 64MB	X
128 MB	16 Mbit x 72	128Mb	8Mb	16 bit	X	16MB X 8B = 128MB
128 MB	16 Mbit x 72	128Mb	16Mb	8 bit	16MB X 8B = 128MB	X
256 MB	32 Mbit x 72	128Mb	16Mb	8 bit	X	32MB X 8B = 256MB
256 MB	32 Mbit x 72	128Mb	32Mb	4 bit	32MB X 8B = 256MB	X
64 MB	8 Mbit x 72	256Mb	8Mb	32 bit	8MB X 8B = 64MB	X
128MB	16 Mbit x 72	256Mb	8Mb	32 bit	X	16MB X 8B = 128MB
128 MB	16 Mbit x 72	256Mb	16Mb	16 bit	16MB X 8B = 128MB	X
256MB	32 Mbit x 72	256Mb	16Mb	16 bit	X	32MB X 8B = 256MB
256 MB	32 Mbit x 72	256Mb	32Mb	8 bit	32MB X 8B = 256MB	X
512 MB	64 Mbit x 72	256Mb	32Mb	8 bit	X	64MB X 8B = 512MB
512 MB	64 Mbit x 72	256Mb	64Mb	4 bit	64MB X 8B = 512MB	X
1GB	128 Mbit x 72	256Mb	64Mb	4 bit	X	128MB X 8B = 1GB



NOTE

All memory components and DIMMs used with this motherboard must comply with the following PC SDRAM specifications:

- *PC SDRAM Specification* (memory component specific)
- *PC SDRAM Registered DIMM Specification*

3.6 SCSI Host bus Interface

The SRMK2 motherboard uses an Adaptec® AIC-7899 Ultra 160 SCSI controller for the SCSI Host bus interface. The AIC provides two independent Ultra 160/m SCSI channels combined with a full-featured PCI 2.1/2.2-compliant bus master. The AIC-7899 operates at up to 66MHz and functions as a 64-bit bus master capable of supporting zero wait state 64-bit memory transfers at a maximum data burst rate of 533 Mbytes/sec. The AIC-7899 SCSI controller complies with the SCSI-3 standard providing multimode SCSI support for both single-ended (SE) and Low Voltage Differential (LVD) SCSI peripherals. The SRMK2 motherboard has two SCSI Ultra 160, 68-pin D-shell connectors, one internal and one external on the rear panel. Both SCSI connectors are protected from over-current conditions via a separate polyfuse.

3.6.1 SCSI Hard Drive LED Connector (Optional)

The optional SCSI hard drive LED connector is a 1 x 2-pin connector that allows add-in SCSI controller applications to use the same LED as the IDE controller. This connector can be connected to the LED output of the add-in controller card (J35 is the designator number on the motherboard)

3.7 IDE Interface

Through the ServerWorks® ServerSet™ OSB4 South bridge, the serverboard has one independent bus-mastering IDE interface. This interface supports:

- ATAPI devices (such as CD-ROM drives)
- ATA devices

One 40-pin connector is populated on board. The connector at J9 provides the primary IDE interface (only this one is populated). The BIOS supports logical block addressing (LBA) and extended cylinder head sector (ECHS) translation modes. The drive reports the transfer rate and translation mode to the BIOS.

3.8 USB

The serverboard has two USB ports; one USB peripheral can be connected to each port. For more than two USB devices, an external hub can be connected to either port. The two USB ports are implemented with stacked back panel I/O connectors. The serverboard fully supports UHCI and uses UHCI-compatible software drivers. See section 14.2 for information about the USB and UHCI specifications. (*Note that NT 4.0 does not have USB support*). Additionally, Legacy USB devices are not supported by the system BIOS. This means that a Legacy USB keyboard will not be operable during the system POST and you will not be able to enter the system BIOS with a Legacy USB keyboard because of this restriction. To work around this problem, use a PS/2 keyboard for changing BIOS settings. This restriction does not affect the use of Legacy USB keyboards under operating systems that support USB devices.

The SRMK2 USB ports feature:

- Self-identifying peripherals that can be plugged in while the computer is running
- Automatic mapping of function to driver and configuration

- Support for isochronous and asynchronous transfer types over the same set of wires
- Guaranteed bandwidth and low latencies appropriate for telephony, audio, and other applications
- Error-handling and fault-recovery mechanisms built into the protocol



NOTE

Computer systems that have an unshielded cable attached to a USB port may not meet FCC Class B requirements, even if no device or a low-speed USB device is attached to the cable. Use shielded cable that meets the requirements for full-speed devices.

3.9 I/O Controller

The FDC37B782 I/O controller from SMC is an ISA Plug and Play-compatible, multifunctional I/O device that provides the following features:

- One serial port
- FIFO support on both serial and diskette drive interfaces
- PS/2-style mouse and keyboard interfaces
- Support for serial IRQ packet protocol
- Intelligent power management, including:
 - Shadowed write-only registers for ACPI compliance
 - Programmable wake up event interface

3.9.1 Serial Port

The motherboard supports one serial port via 9-pin D-Sub connector. The populated serial port is located on the back panel. The serial port is NS16C550-compatible UARTs and support data transfers at speeds up to 460 Kbits/sec with BIOS support. Additionally, this port supports the Wake On Ring functionality.

3.9.2 Diskette Drive Controller

The I/O controller supports a single diskette drive that is compatible with the 82077 diskette drive controller and support both PC-AT[†] and PS/2 modes. The baseboard supports only a slimline floppy drive interface connector.

3.9.3 Keyboard and Mouse Interface

The PS/2 keyboard and mouse connectors are located on the back panel. The +5V lines to these connectors are protected with a PolySwitch[†] circuit that, like a self-healing fuse, reestablishes the connection after an overcurrent condition is removed.



NOTE

The mouse and keyboard can be plugged into either of the PS/2 connectors. Turn off power to the computer before connecting or disconnecting a keyboard or mouse.

3.9.4 Real-Time Clock, CMOS SRAM, and Battery

The real-time clock is provided by the SMC FDC37B782 Super I/O chip and is compatible with DS1287 and MC146818 components. The clock provides a time-of-day clock and a multientury

calendar with alarm features and century rollover. The real-time clock supports 256 bytes of battery-backed CMOS SRAM in two banks that are reserved for BIOS use.

A coin-cell battery powers the real-time clock and CMOS memory. When the computer is not plugged into a wall socket, the battery has an estimated life of three years. When the computer is plugged in, the 3.3V standby current from the power supply extends the life of the battery. The clock is accurate to ± 13 minutes/year at 25°C with 3.3VSB applied. The time, date, and CMOS values can be specified in the BIOS Setup program.

NOTE

The recommended method of accessing the date in systems with Intel® serverboards is indirectly from the Real Time Clock (RTC) via the BIOS. The BIOS on Intel® serverboards contains a century checking and maintenance feature. This feature checks the two least significant digits of the year stored in the RTC during each BIOS request (INT 1Ah) to read the date and, if less than 80 (i.e., 1980 is the first year supported by the PC), updates the century byte to 20. This feature enables operating systems and applications using the BIOS date/time services to reliably manipulate the year as a four-digit value.

For more information on a proper date access in systems with Intel serverboards, please visit: <http://support.intel.com/support/year2000/>

3.10 Intel® 82559 10/100 Ethernet Controllers

Two Intel 82559 LAN controllers provide two 10/100 Base-T RJ-45 interfaces. The two LAN ports are brought out through a double stacked RJ45 connector on the rear of the chassis. The LAN circuitry supports Wake on LAN technology on both LAN ports. Wake on LAN technology enables remote wakeup of the computer through a network. If a PCI add-in network interface card (NIC) with remote wakeup capabilities is desired, the remote wakeup connector on the NIC must be connected to the onboard Wake on LAN header at J8. The on-board LAN controllers or an add-in NIC will monitor network traffic at the MII interface; upon detecting a Magic Packet† the LAN controllers or NIC will assert a wakeup signal that will power up the computer. Alert and wake on LAN features are supported by the SRMK2 and the SMBus interface of the Intel 82559s.

CAUTION

For Wake on LAN, the +5V standby line for the power supply must be capable of delivering $+5V \pm 5\%$ at 720mA. Failure to provide adequate standby current when implementing Wake on LAN can damage the power supply.

3.11 Video Interface

The on-board video interface is implemented using the ATI RAGE XL video controller. The video controller is accessed over the 32-bit PCI bus interface on the ServerWorks® North Bridge. Some of the key features of the video interface are listed below:

- Comprehensive AGP support, including 2X mode, Sideband addressing.
- Fully PC 98 compliant.
- 32-bit wide memory-mapped registers.
- Programmable flat or paged memory model with linear frame buffer access.
- Triple 8-bit palette DAC with gamma correction for true WYSIWYG color.
- Pixel rates up to 230 MHz.

- 4M bytes of video SDRAM organized as 2Mx32-bits, accessible over the 64-bit interface of the controller.
- DDC1 and DDC2B+ for plug and play monitors.
- Power management for full VESA DPMS and EPA Energy Star compliance.
- Integrated hardware diagnostic tests performed automatically upon initialization.

3.12 Hardware Monitor

Two Heceta 3 controllers are provided on the motherboard to monitor temperature, voltage, and fan speed. In addition to the on chip temperature sensor, each Heceta provides input pins for connection to an external temperature sensor. These inputs are connected to the Pentium® III thermistor outputs.

Access to the two Heceta controllers is provided through the SMB bus. Heceta #1 is mapped onto SMB address [0101 101x]. Heceta #2 is mapped onto SMB address [0101 110x], where x is the Read/Write bit of the SMB bus. These can also be listed as 0x2d and 0x2e. Table 17 shows the functions monitored by each Heceta controller.

When the Heceta is configured in the monitoring mode, it cycles sequentially through the measurement of analog inputs and the temperature sensor, while at the same time the fan speed inputs are independently monitored. Measured values from these inputs are stored in Value Registers. These can be read out over the serial bus or can be compared with programmed limits stored in the Limit Registers. The results of out of limit comparisons are stored in the Interrupt Status Registers and will generate an interrupt on the INT line, if enabled. Any or all of the Interrupt Status Bits can be masked by appropriate programming of the Interrupt Mask Register.

There are 9 Fans in the SRMK2 System which are multiplexed into the Fan1/Fan2 inputs of the Heceta chips, as shown in Table 17. The Mux1/Mux0 control signals are software controlled bits located in the front panel EPLD and are used to control the fan tachometer multiplexer located on the Backplane. The software control is located in the Advanced Server Management software.

Table 17: Functions monitored by the Heceta controllers

Heceta Pin	Mux1/Mux0 Control	Heceta #1 Function SMB addr 0101 101x	Heceta #2 Function SMB addr 0101 110x
Fan 1	00	Fan Tach 1	Fan Tach 3
	01	Fan Tach 5	Fan Tach 7
	10	Fan Tach 9	N/A
	11	N/A	N/A
Fan 2	00	Fan Tach 2	Fan Tach 4
	01	Fan Tach 6	Fan Tach 8
	10	N/A	N/A
	11	N/A	N/A
CHS		Chassis Intrusion (Not functional on SRMK2)	N/A
+VCCP1		VCORE	N/A
+2.5V		VTT	+2.5V
+3.3V		+3.3V	+3.3V STBY
+5V		+5V	+5V STBY

+12V		+12V	N/A
D1+/D1-		CPU 0 Thermistor	CPU 1 Thermistor

For more details on accessing the Heceta registers please refer to the ADM1024 data sheet from Analog Devices.

3.13 Wake on Ring and Resume on Ring

The SRMK2 baseboard provides three methods for implementing Wake on Ring (WOR). An external modem connected to the serial port can toggle the super I/O controller's Ring Indicator pin which should be enabled to cause a wakeup event. The WOR output of an internal modem card may be connected to an internal 2-pin WOR header (J11) to cause a wakeup event. Finally, a PCI modem may implement a WOR circuit that uses PCI PME# to cause a wakeup event. This section describes two technologies that enable telephony devices to access the computer when it is in a power-managed state. The method used depends on the type of telephony device (external or internal) and the power management mode being used (APM or ACPI).

NOTE

Wake on Ring and Resume on Ring technologies require the support of an operating system that provides full ACPI functionality.

3.13.1 Wake on Ring

The operation of Wake on Ring can be summarized as follows:

- Powers up the computer from either the APM soft-off mode or the ACPI S5 state
- Detects incoming calls differently for external and internal modems:
 - For external modems, the serverboard hardware monitors the Ring Indicator (RI) input of the serial port.
 - For internal modems, a cable must be routed from the modem to the Wake on Ring connector

3.13.2 Resume on Ring

The operation of Resume on Ring can be summarized as follows:

- Resumes operation from either the APM sleep mode or the ACPI S1 to S4 state
- Detects incoming calls similarly for external and internal modems; does not use the Wake on Ring connector.
- Requires that modem interrupt be unmasked for correct operation.

3.14 Speaker

A 47 Ω inductive speaker is mounted on the motherboard. The speaker provides audible error code (beep code) information during the power-on self test (POST).

3.15 Fan Support

The backplane powers nine 40mm system fans. Additionally, it incorporates logic to control and monitor the tachometer speed of fans. Eight of those fans are 40mm x 28mm. The ninth fan is 40mm x 17mm and provides cooling to the PCI add-in card area.

3.16 Baseboard Programming

3.16.1 PCI Configuration Space Map

Table 18: PCI Configuration Space Map

Bus Number (hex)	Device Number (hex)	Function Number (hex)	Description
00	00	00	CNB30LE Host Bridge Function 32 bit PCI (P1_AD[16])
00	00	01	CNB30LE 2 nd Host Bridge Function 64 Bit PCI (P1_AD[16])
00	01	NA	PCI32 VIDEO (P1_AD[17])
00	02	NA	PCI32 SLOT1 (P1_AD[18])
00	03	NA	PCI32 SLOT2 (P1_AD[19])
00	05	NA	PCI32 LAN1 (P1_AD[23])
00	06	NA	PCI32 LAN2 (P1_AD[24])
00	0F	00	OSB4 SMB Bus, PCI Configuration Registers (P1_AD[31])
00	0F	01	OSB4 Ultra DMA IDE bus master (P1_AD[31])
01	02	NA	PCI64 SLOT1 (P2_AD[18])
01	03	NA	PCI 64 SLOT2 (P2_AD[19])
01	04	NA	PCI 64 SCSI (P2_AD[20])

3.16.2 Interrupts

Table 19 lists the system interrupts for the SRMK2.

Table 19: PCI Interrupt to OSB4 IRQ Input Mapping

OSB4 Input	PCI Interrupt
PCIIRQ0	LAN1 IRQ#
PCIIRQ1	LAN2 IRQ#
PCIIRQ2	P1S1_INTAC# (PCI32 Slot1 Interrupts A & C)
PCIIRQ3	P1S1_INTBD# (PCI32 Slot1 Interrupts B & D)
PCIIRQ4	P1S2_INTAC# (PCI32 Slot2 Interrupts A & C)
PCIIRQ5	P1S2_INTBD# (PCI32 Slot2 Interrupts B & D)
PCIIRQ6	FP_IRQ# (Front Panel IRQ#)
PCIIRQ7	VID_IRQ# (Video IRQ#)
PCIIRQ8	SCSI_IRQA#
PCIIRQ9	SCSI_IRQB#
PCIIRQ10	P2S1_INTAC# (PCI64 Slot1 Interrupts A & C)
PCIIRQ11	P2S1_INTBD# (PCI64 Slot1 Interrupts B & D)

PCIIRQ12	P2S2_INTAC# (PCI64 Slot2 Interrupts A & C)
PCIIRQ13	P2S2_INTBD# (PCI64 Slot2 Interrupts B & D)
PCIIRQ14	Not Used
PCIIRQ15	Not Used

3.16.3 SMI and NMI Routing

There are numerous SMI/NMI sources. SMI/NMI sources are routed either to OSB4 or SIO GPI input pins. Software must configure the OSB4 and SIO GPI input pins to control whether the corresponding events will generate SMI, NMI or wake up events to the processors. The SMI/NMI sources on the SRMK2 are shown in Table 20. Note that some inputs are the wired OR of several sources. Signal names are in parenthesis.

Table 20: SRMK2 SMI and NMI sources

SMI Source	OSB4 Input Pin	SIO Input Pin
Processor #0 IERR (IERR#0)	GEVENT_0	
Processor #1 IERR (IERR#1)	GEVENT_1	
Processor #0 Thermal Trip (THERMTRIP#0)	GEVENT_2	
Processor #1 Thermal Trip (THERMTRIP#0)	GEVENT_3	
CNB30LE Chipset PCI SERR# - used for ECC Errors (SALERT#)	GEVENT_4	
Wired OR of HECETA #1 & #2 INT output and LAN 1 & 2 SMBALERT output (SMBALERT#)	GEVENT_5	
Gluechip's EXTSMI# output – used for +5VSB errors (EXTSMI#)	GEVENT_6	
Debug NMI from Front Panel or NMI jumper (DBG_NMI#)	GEVENT_7	
SIO SMI (SIO_SMI#)	GEVENT_19	
SIO WAKE UP (SIO_WAKEUP#)	SIO_WAKEUP	
32-bit PCI SERR (P1_SERR#)	SERR#	
64-bit PCI SERR (P2_SERR#)	FRWP# GEVNT_21	
Wired OR of 32-bit PCI PME, External WOL, LAN1 PME, and LAN2 PME (P1_PME#)		GP17
64-bit PCI PME (P2_PME#)		GP16
Wake on Ring (WOR#)		GP11

3.16.4 System Management Bus (SMB)

The SRMK2 baseboard supports a simple I²C compatible Bus to provide a method to manage system resources. To implement this feature, the ServerWorks South Bridge device becomes the master controller and communicates with several other devices in the system. Some of the functions the processor can monitor through the SMB bus are the following: Fan Speed (Tachometer), temperatures, voltage rails, LAN controllers, DIMM presence and size. Table 21 shows the address map of the various devices on the SM Bus.

Table 21: SMB Bus Address Map

Device	Master/Slave	I ² C Address
OSB4	Master Controller	N/A
LAN Controller 1	Slave	:84

LAN Controller 2	Slave	:85
32 PCI Riser expansion Connector	Slave	Undefined **
64 PCI Riser expansion Connector	Slave	Undefined **
Memory DIMM 0	Slave	:50
Memory DIMM 1	Slave	:51
Memory DIMM 2	Slave	:52
Memory DIMM 3	Slave	:53
1 st Heceta Management chip	Slave	:2D
2 nd Heceta System Management chip	Slave	:2E
CNB30LE North Bridge chip	Slave	:C0

** Note: At the writing of this document, the PCI riser expansion boards did not have an I²C bus ID assigned.

3.17 Baseboard Connectors and Jumpers

This section describes the serverboard connectors. The connectors can be divided into three groups, as shown in Figure 12.

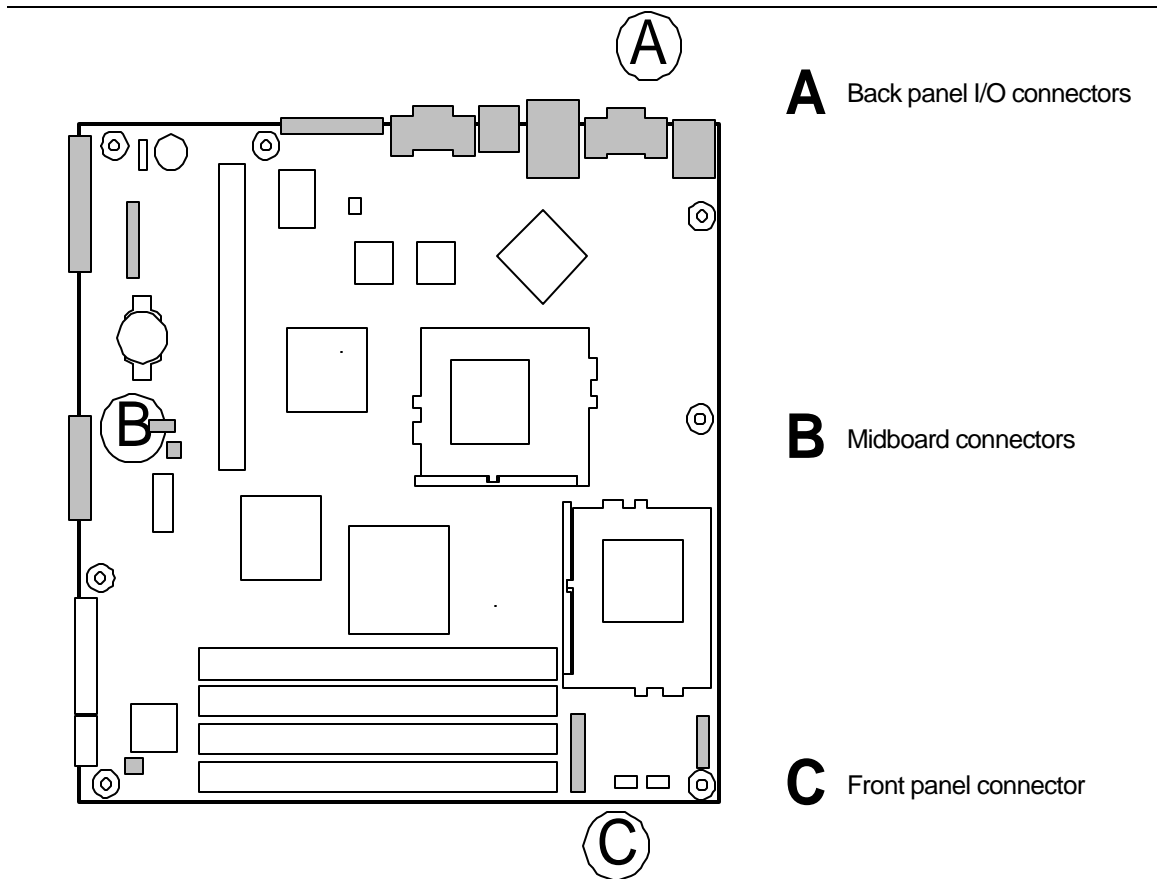


Figure 12: Connector groups

CAUTION

Only the back panel connectors of this serverboard have overcurrent protection. The internal serverboard connectors are not overcurrent protected, and should be connected only to devices inside the computer

chassis such as fans and internal peripherals. Do not use these connectors for powering devices external to the computer chassis. A fault in the load presented by the external devices could damage the computer, the interconnecting cable, and the external devices themselves.

3.17.1 Back Panel I/O Connectors

Figure 13 shows the location of the back panel I/O connectors.

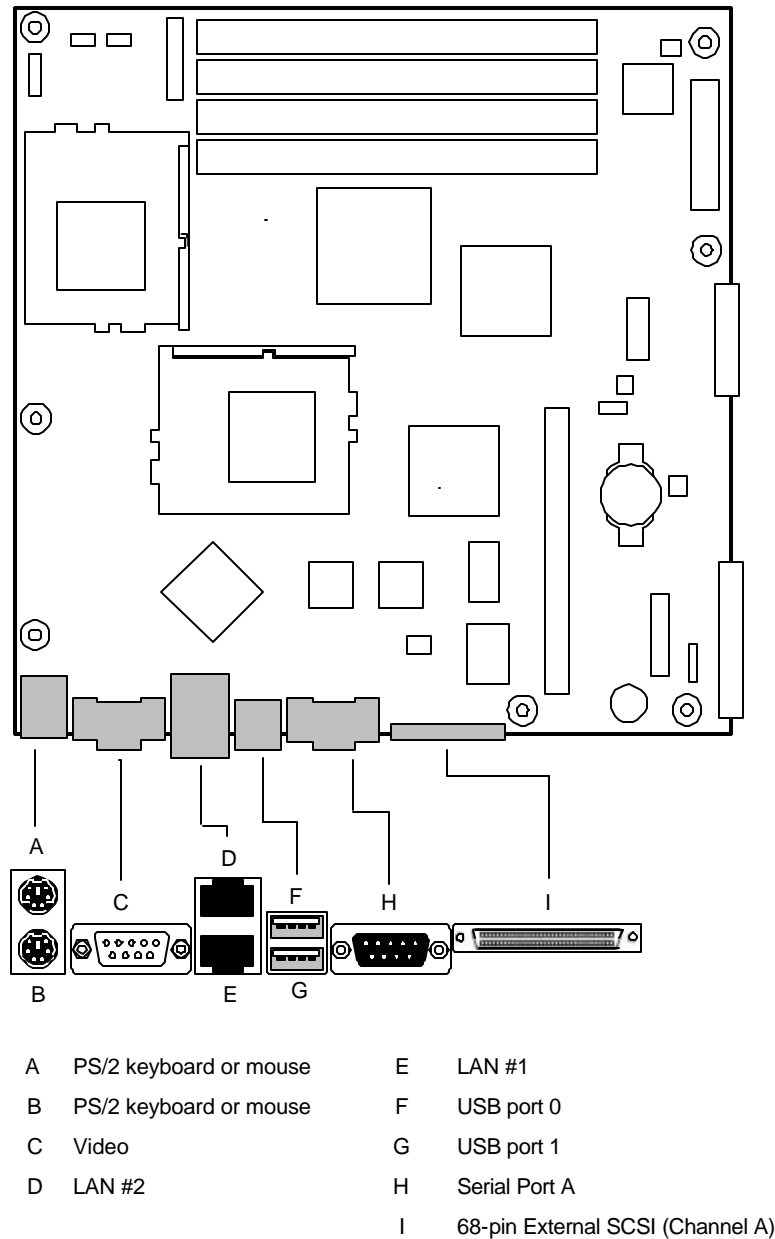


Figure 13: Back panel I/O connectors

Table 22: PS/2 keyboard/mouse connectors (J7)

Pin	Signal Name
1	Keyboard or Mouse Data
2	Not connected
3	Ground
4	Fused +5 V
5	Keyboard or Mouse Clock
6	Not connected

Table 23: USB stacked connector (J2)

Pin	Signal Name	Pin	Signal Name
1	Fused +5 V	5	Fused +5 V
2	3.3 V differential USB signal USB_D-	6	3.3 V differential USB signal USB_D-
3	3.3 V differential USB signal USB_D+	7	3.3 V differential USB signal USB_D+
4	Ground	8	Ground

Note: J2 (top) is port #0 and J2 (bottom) is port #1.

Table 24: LAN RJ45 connectors (J5)

Pin	Signal Name	Pin	Signal Name
1	TX+	1	TX+
2	TX-	2	TX-
3	RX+	3	RX+
4	Return	4	Return
5	Return	5	Return
6	RX-	6	RX-
7	Return	7	Return
8	Return	8	Return

Note: J5-A (bottom) is LAN #1 and J5-B (top) is LAN #2.

Table 25: Serial port A connector (J3)

Pin	Signal Name
1	DCD (Data Carrier Detect)
2	SIN # (Serial Data In)
3	SOUT # (Serial Data Out)
4	DTR (Data Terminal Ready)
5	Ground
6	DSR (Data Set Ready)
7	RTS (Request to Send)
8	CTS (Clear to Send)
9	RI (Ring Indicator)

Table 26: Video connector (J4)

Pin	Signal Name	Pin	Signal Name
1	V_RED_FB	2	V_GREEN_FB
3	V_BLUE_FB	4	TP_VIO4
5	GRD	6	GRD
7	GRD	8	GRD
9	TP_VIO9	10	GRD
11	(Not Connected)	12	DDC2_SDA
13	V_HSYNC_R#	14	V_VSYNC_R#
15	DDC2_SCL		

Table 27: External SCSI (Channel A) connector (J1)

Pin	Signal Name	Pin	Signal Name	Pin	Signal Name
1	SDA[12]+	2	SDA[13]+	3	SDA[14]+
4	SDA[15]+	5	SDA[P1]+	6	SDA[0]+
7	SDA[1]+	8	SDA[2]+	9	SDA[3]+
10	SDA[4]+	11	SDA[5]+	12	SDA[6]+
13	SDA[7]+	14	SDA[P0]+	15	GRD
16	DIFFSA	17	SCSIA_5V	18	SCSIA_5V
19	EXT_SCSI_P19_NC	20	GRD	21	ATNA+
22	GRD	23	BSYA+	24	ACKA+
25	RSTA+	26	MSGA+	27	SELA+
28	CDA+	29	REQA+	30	IOA+
31	SDA[8]+	32	SDA[9]+	33	SDA[10]+
34	SDA[11]+	35	SDA[12]-	36	SDA[13]-
37	SDA[14]-	38	SDA[15]-	39	SDA[P1]-
40	SDA[0]-	41	SDA[1]-	42	SDA[2]-
43	SDA[3]-	44	SDA[4]-	45	SDA[5]-
46	SDA[6]-	47	SDA[7]-	48	SDA[P0]-
49	GRD	50	GRD	51	SCSIA_5V
52	SCSIA_5V	53	EXT_SCSI_P53_NC	54	GRD
55	ATNA-	56	GRD	57	BSYA-
58	ACKA-	59	RSTA-	60	MSGA-
61	SELA-	62	CDA-	63	REQA-
64	IOA-	65	SDA[8]-	66	SDA[9]-
67	SDA[10]-	68	SDA[11]-		

3.17.2 Midboard Connectors

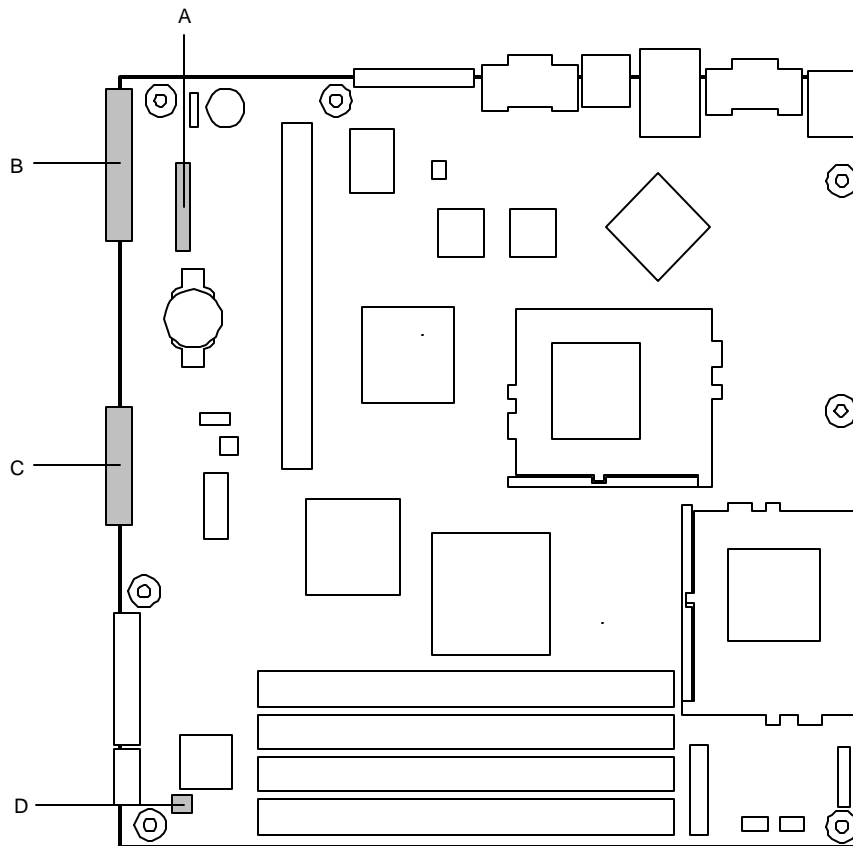
The midboard connectors are divided into three functional groups:

- Peripheral interfaces
 - SCSI LED Header
 - Internal SCSI interface
 - High Density Diskette Drive interface

- Primary IDE interface
- Wake Headers and Power
 - Power connector
 - Wake on Ring Header
 - Wake on LAN Header
- Add-in board
 - PCI bus

3.17.2.1 Peripheral Interfaces

Figure 14 shows the locations of the peripheral interface connectors.



- | | | | |
|---|---------------------------------------|---|----------------------|
| A | High-density diskette drive connector | C | SCSI drive connector |
| B | Primary IDE connector | D | SCSI LED Header |

Figure 14: Peripheral connectors

Table 28: SCSI LED connector (J35)

Pin	Signal Name
1	SCSI activity
2	Ground

Table 29: Internal SCSI (Channel B) Drive connector (J21)

Pin	Signal Name	Pin	Signal Name	Pin	Signal Name
1	SDB[12]+	2	SDB[13]+	3	SDB[14]+
4	SDB[15]+	5	SDB[P1]+	6	SDB[0]+
7	SDB[1]+	8	SDB[2]+	9	SDB[3]+
10	SDB[4]+	11	SDB[5]+	12	SDB[6]+
13	SDB[7]+	14	SDB[P0]+	15	GRD
16	DIFFSB	17	SCSIB_5V	18	SCSIB_5V
19	EXT_SCSI_P19_NC	20	GRD	21	ATNB+
22	GRD	23	BSYB+	24	ACKB+
25	RSTB+	26	MSGB+	27	SELB+
28	CDB+	29	REQB+	30	IOB+
31	SDB[8]+	32	SDB[9]+	33	SDB[10]+
34	SDB[11]+	35	SDB[12]-	36	SDB[13]-
37	SDB[14]-	38	SDB[15]-	39	SDB[P1]-
40	SDB[0]-	41	SDB[1]-	42	SDB[2]-
43	SDB[3]-	44	SDB[4]-	45	SDB[5]-
46	SDB[6]-	47	SDB[7]-	48	SDB[P0]-
49	GRD	50	GRD	51	SCSIB_5V
52	SCSIB_5V	53	EXT_SCSI_P53_NC	54	GRD
55	ATNB-	56	GRD	57	BSYB-
58	ACKB-	59	RSTB-	60	MSGB-
61	SELB-	62	CDB-	63	REQB-
64	IOB-	65	SDB[8]-	66	SDB[9]-
67	SDB[10]-	68	SDB[11]-		

Table 30: High-density diskette drive connector (J36)

Pin	Signal Name	Pin	Signal Name
1	HEAD# (Side 1 Select)	2	Ground
3	RDATA# (Read Data)	4	Ground
5	WPD# (Write Protect)	6	Ground
7	TRK0# (Track 0)	8	Ground
9	WGATE# (Write Enable)	10	Ground
11	WDATA# (Write Data)	12	Ground
13	STEP# (Step Pulse)	14	DENSEL
15	DIR# (Stepper Motor Direction)	16	+5 V Fused
17	MTR0# (Motor Enable A)	18	No connect
19	No connect	20	No connect
21	DSKCHG# (Diskette Change)	22	+5 V Fused
23	DS0# (Drive Select A)	24	+5 V Fused
25	INDX# (Index)	26	+5 V Fused

Table 31: IDE connector – J9 Primary

Pin	Signal Name	Pin	Signal Name
1	Reset IDE	2	Ground
3	Data 7	4	Data 8
5	Data 6	6	Data 9
7	Data 5	8	Data 10
9	Data 4	10	Data 11
11	Data 3	12	Data 12
13	Data 2	14	Data 13
15	Data 1	16	Data 14
17	Data 0	18	Data 15
19	Ground	20	Key (NC)
21	DDRQ0 [DDRQ1]	22	Ground
23	DIOW#	24	Ground
25	DIOR#	26	Ground
27	DRDY	28	CSEL (Cable Select pull-down)
29	DDAK0# [DDAK1#]	30	Ground
31	IRQ 14 [IRQ 15]	32	Reserved
33	IDE_A1 (Address 1)	34	Reserved
35	IDE_A0 (Address 0)	36	IDE_A2
37	IDE_CS1#	38	IDE_CS3#
39	IDE_ACT#	40	Ground

Note: Signal names in brackets ([]) are for the secondary IDE connector.

3.17.2.2 Wake Headers and Power

Figure 15 shows the locations of the Wake headers and power connectors.

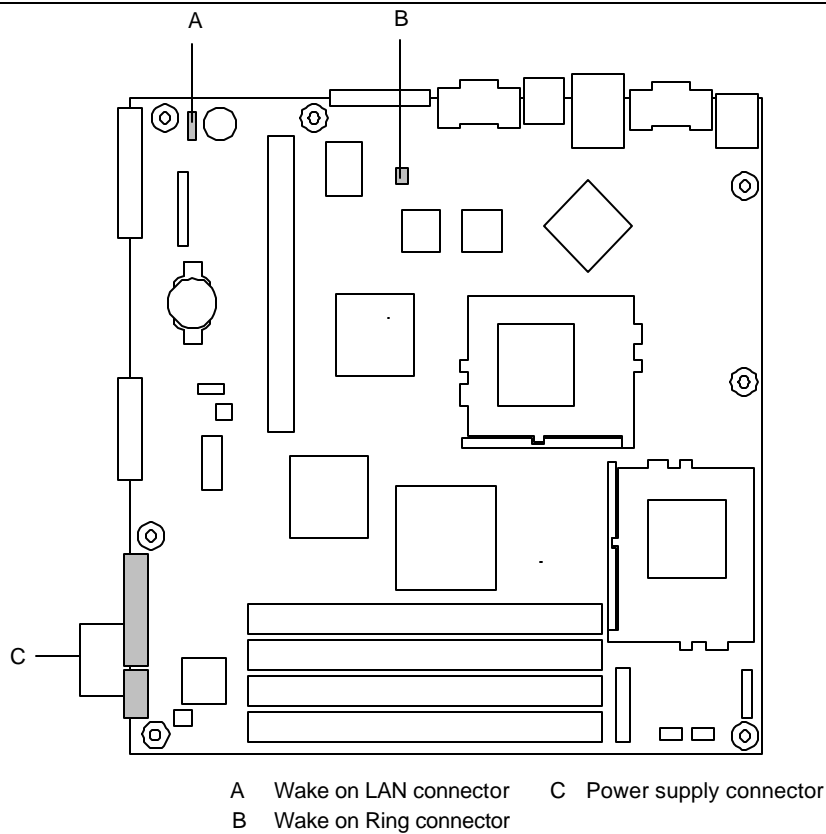


Figure 15: Hardware management and power connectors

To view pinouts and signals for the Power connector(s), see Section 2.2.1.4.

Table 32: Wake on Ring connector (J11)

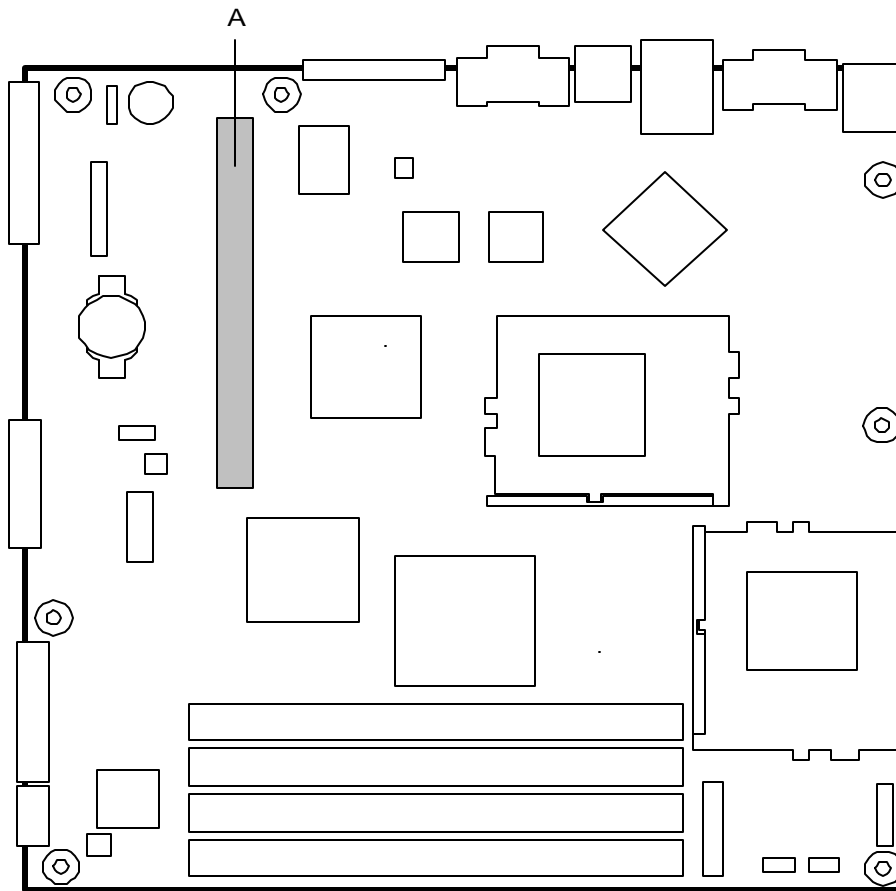
Pin	Signal Name
1	RINGA#
2	Ground

Table 33: Wake on LAN connector (J8)

Pin	Signal Name
1	+5 VSB
2	Ground
3	WOL

3.17.2.3 PCI Bus Riser Card Board

Figure 16 shows the location of the PCI 64-bit Riser Bus Connector.



A PCI 64/66 Riser Connector

Figure 16: PCI 64/66 Riser Card connector

Table 34: PCI 64/66 Riser Card connector (J15)

Pin	Signal Name	Pin	Signal Name	Pin	Signal Name	Pin	Signal Name
A1	+3.3VSB	B1	+3.3VSB	A52	P2_PAR	B52	P2_CBE[1]#
A2	+3.3VSB	B2	+3.3VSB	A53	P2_AD[15]	B53	P2_AD[14]
A3	+12V	B3	-12V	A54	+3.3V	B54	GND
A4	+5V	B4	+5V	A55	P2_AD[13]	B55	P2_AD[12]
A5	+3.3V	B5	+3.3V	A56	P2_AD[11]	B56	P2_AD[10]
A6	+3.3V	B6	+3.3V	A57	GND	B57	GND
A7	GND	B7	GND	A58	P2_AD[9]	B58	P2_M66EN
A8	NC	B8	SMB_DATA	A59	GND	B59	GND
A9	NC	B9	SMB_CLK	A60	GND	B60	P2_AD[8]
A10	GND	B10	GND	A61	P2_CBE[0]#	B61	P2_AD[7]
A11	GND	B11	TCK64	A62	+3.3V	B62	+3.3V
A12	NC	B12	GND	A63	P2_AD[6]	B63	P2_AD[5]
A13	NC	B13	NC	A64	P2_AD[4]	B64	P2_AD[3]
A14	TRST64#	B14	+5V	A65	GND	B65	GND
A15	+5V	B15	+5V	A66	P2_AD[2]	B66	P2_AD[1]
A16	TMS64	B16	P2S1_INTBD#	A67	P2_AD[0]	B67	+3.3V
A17	TDI64	B17	P2S2_INTBD#	A68	+3.3V	B68	P2_ACK64#
A18	NC	B18	NC	A69	P2_REQ64#	B69	+5V
A19	+5V	B19	P2_PME#	A70	NC	B70	+5V
A20	+3.3V	B20	NC	A71	+5V	B71	NC
A21	P2S1_INTAC#	B21	CK_P2_CLK2	A72	+5V	B72	GND
A22	P2S2_INTAC#	B22	GND	A73	GND	B73	P2_CBE[6]#
A23	+3.3V	B23	CK_P2_CLK1	A74	P2_CBE[7]#	B74	P2_CBE[4]#
A24	PCI_RST#	B24	GND	A75	P2_CBE[5]#	B75	GND
A25	+5V	B25	P2_REQ[1]#	A76	+3.3V	B76	P2_AD[63]
A26	P2_GNT[1]#	B26	P2_REQ[2]#	A77	P2_PAR64#	B77	P2_AD[61]
A27	GND	B27	+3.3V	A78	P2_AD[62]	B78	+3.3V
A28	P2_GNT[2]#	B28	P2_AD[31]	A79	GND	B79	P2_AD[59]
A29	P2_AD[30]	B29	P2_AD[29]	A80	P2_AD[60]	B80	P2_AD[57]
A30	+3.3V	B30	GND	A81	P2_AD[58]	B81	GND
A31	P2_AD[28]	B31	P2_AD[27]	A82	GND	B82	P2_AD[55]
A32	P2_AD[26]	B32	P2_AD[25]	A83	P2_AD[56]	B83	P2_AD[53]
A33	GND	B33	+3.3V	A84	P2_AD[54]	B84	GND
A34	P2_AD[24]	B34	P2_CBE[3]#	A85	+3.3V	B85	P2_AD[51]
A35	NC	B35	P2_AD[23]	A86	P2_AD[52]	B86	P2_AD[49]
A36	+3.3V	B36	GND	A87	P2_AD[50]	B87	+3.3V
A37	P2_AD[22]	B37	P2_AD[21]	A88	GND	B88	P2_AD[47]
A38	P2_AD[20]	B38	P2_AD[19]	A89	P2_AD[48]	B89	P2_AD[45]
A39	GND	B39	+3.3V	A90	P2_AD[46]	B90	GND
A40	P2_AD[18]	B40	P2_AD[17]	A91	GND	B91	P2_AD[43]
A41	P2_AD[16]	B41	P2_CBE[2]#	A92	P2_AD[44]	B92	P2_AD[41]

A42	+3.3V	B42	GND	A93	P2_AD[42]	B93	GND
A43	P2_FRAME#	B43	P2_IRDY#	A94	+3.3V	B94	P2_AD[39]
A44	GND	B44	+3.3V	A95	P2_AD[40]	B95	P2_AD[37]
A45	P2_TRDY#	B45	P2_DEVSEL#	A96	P2_AD[38]	B96	+3.3V
A46	GND	B46	GND	A97	GND	B97	P2_AD[35]
A47	P2_STOP#	B47	P2_LOCK#	A98	P2_AD[36]	B98	P2_AD[33]
A48	+3.3V	B48	P2_PERR#	A99	P2_AD[34]	B99	GND
A49	NC	B49	+3.3V	A100	GND	B100	NC
A50	NC	B50	P2_SERR#	A101	P2_AD[32]	B101	NC
A51	GND	B51	+3.3V				

3.17.3 Front Panel Connector

Figure 17 shows the location of the front panel connector.

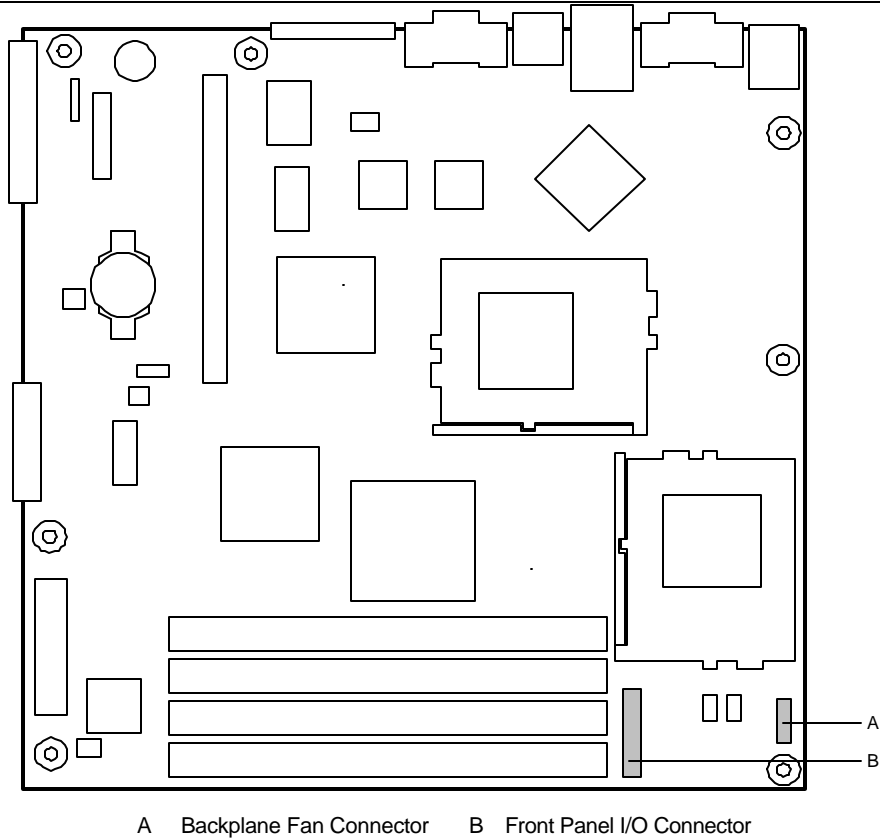


Figure 17: Backplane and Front panel connectors

Table 35: Backplane Fan connector (J37)

Pin	Signal Name	Pin	Signal Name
1	GRD	2	M_FAN1_TACH
3	GRD	4	M_FAN2_TACH
5	GRD	6	M_FAN3_TACH
7	GRD	8	M_FAN4_TACH
9	GRD	10	FAN_NC1
11	FAN_MUX[1]	12	FAN_NC2
13	FAN_MUX[0]	14	FAN_NC3
15	FAN_NC4	16	MAX_FANS
17	FAN_NC5	18	FAN_NC6

Table 36: Front Panel I/O connector (J38)

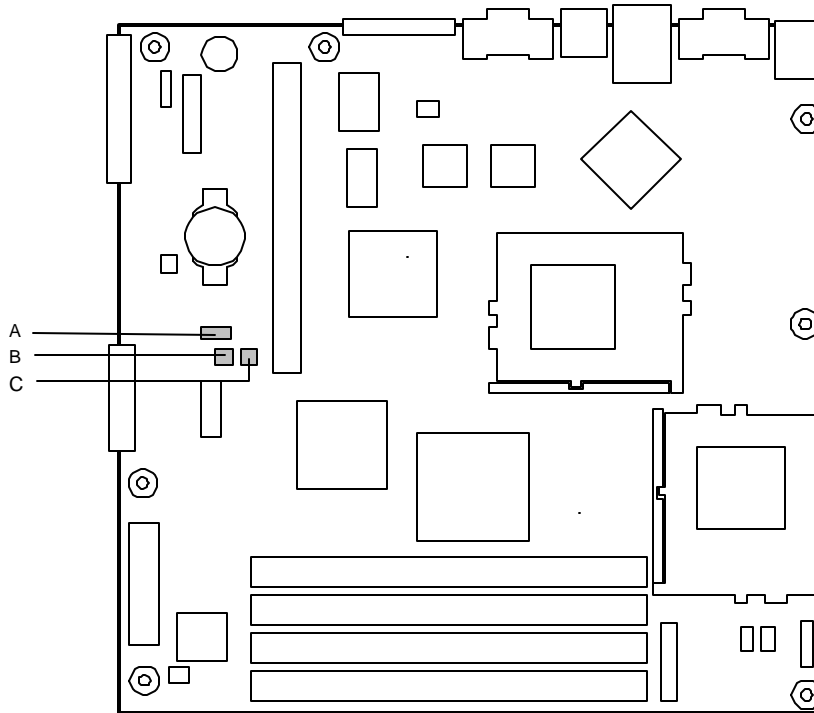
Pin	Signal Name	Pin	Signal Name	Pin	Signal Name
1	GND	2	+5V Power, Fused	3	D1
4	D0	5	D2	6	GND
7	D3	8	D4	9	D5
10	GND	11	D6	12	D7
13	GND	14	LCD_E#	15	LCD_RESET#
16	LCD_RW#	17	DSR2	18	LCD_D/#
19	CS2	20	FP_TYPE_BIT1	21	CS1
22	R12	23	LED_GREEN_BLINK	24	SW1_PRESSED (scroll_sw1)
25	LED_YELLOW_BLINK	26	SW2_PRESSED (scroll_sw2)	27	LED_HDD
28	RESET_SW#	29	+5V Standby Power, Fused	30	POWERON_SW#
31	+3.3V Power, Fused	32	THERM_TRIP#	33	SLEEP_SWITCH#
34	P1_SERR# (NMI Switch)	35	SW3_PRESSED	36	SW4_PRESSED
37	LAN1_ACTLED	38	LAN2_ACTLED	39	LAN1_LINKLED
40	LAN2_LINKLED	41	LAN1_SPEEDLED	42	LAN2_SPEEDLED
43	PROG_LED1	44	PROG_LED2	45	SIN2#
46	SOUT2#	47	RTS2	48	CTS2
49	DTR2	50	DCD2		

3.18 Jumper Blocks

Figure 18 shows the locations of the password override, BIOS Setup configuration and whitebox/Appliance jumpers.

CAUTION

Do not move a jumper with the power on. Always turn off the power and unplug the power cord from the computer before changing jumper settings.



- A BIOS Setup jumper
- B Whitebox / Appliance jumper
- C Clear Password jumper

Figure 18: BIOS Setup configuration and password override jumpers

The table below shows the jumper settings for the BIOS Setup jumper (J19). This jumper is normally set with a jumper covering pins 1&2. BIOS recovery is performed by removing the jumper (you need to have a BIOS diskette in the floppy disk drive) or you can enter the BIOS by using the Configuration jumper setting by moving the jumper to pins 2&3.

Table 37: BIOS Setup jumper (J19)

Function / Mode	Jumper	Configuration
Normal	1-2	The BIOS uses current configuration information and passwords for booting.
Configure	2-3	After the POST runs, setup runs automatically. The Maintenance menu is displayed.
Recovery	None	The BIOS attempts to recover the BIOS configuration. A recovery diskette is required.

The password override jumper (J20) will allow you to override a misplaced or forgotten BIOS password. Connecting the pins together with a jumper and starting the system will activate this jumper.

Table 38: Password override jumper (J20)

Pin	Signal Name
1	PSWD_OVERRIDE
2	Ground

The Whitebox / Appliance jumper (J16) provides a selection between “Whitebox” mode and “Appliance” mode for the server. Whitebox mode is the normal mode of operation for the server and is in effect when no jumper is covering the pins of the jumper header. When a jumper is placed on this jumper header “Appliance” mode is initiated.

Appliance mode activates the following:

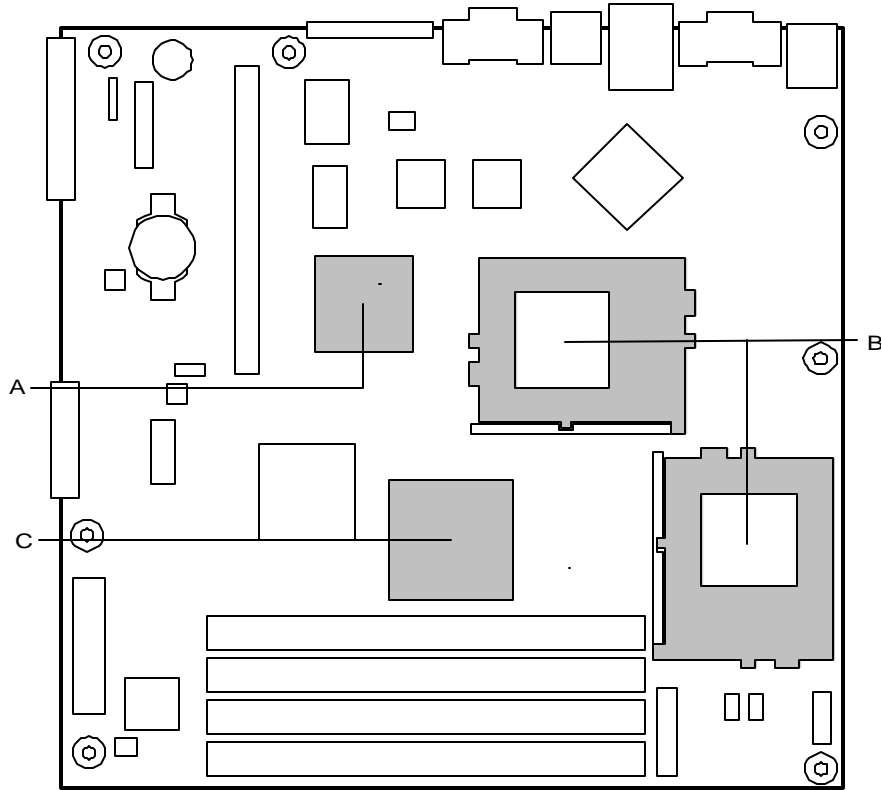
- 1) **Watchdog timer is activated on the system** – The Watchdog timer is a chronometer on the baseboard that is activated when the “Appliance” mode jumper is put in place at J16. It serves to reset the system in the event of a software failure or crash. To do this, the timer works in conjunction with the Advanced Server Management (ASM) software version 1.3 which can be loaded onto any of the approved operating systems of the SRMK2. The Watchdog timer “pings” the ASM software at pre-set intervals and waits for a response. If the software does not respond within a specified period of time the Watchdog timer reboots the system and logs the error. See the section entitled “WatchDog Timer” under the Advanced Server Management section for more details on how to set the timer services through ASM.
- 2) **Emergency Console Redirection is activated** – If the SRMK2 server has the Whitebox/Appliance jumper set to “Appliance” mode (Eg: The jumper is in place at site J16 on the motherboard) and the Watchdog Timer fires several times in a row (indicating a critical system failure), the SRMK2 system will then enter Emergency Console Redirection mode. This is a text-based diagnostic mode in which the screen console and keyboard/mouse activity are redirected through the serial port to another computer via a null modem cable. The “Client” computer here can issue commands to the SRMK2 machine via a hyperterminal program. For further instructions on what commands may be given, see Appendix A.

Table 39: Whitebox/Appliance jumper (J16)

Pin	Signal Name
1	Whitebox
2	Ground

3.19 Thermal Considerations

Figure 19 shows the locations of the thermally sensitive components. Table 40 provides maximum component case temperatures for serverboard components that could be sensitive to thermal changes. Case temperatures could be affected by the operating temperature, current load, or operating frequency. Maximum case temperatures are important when considering proper airflow to cool the serverboard.



- A ServerWorks® ServerSet™ III LE South Bridge
- B Dual PGA370 sockets
- C ServerWorks® ServerSet™ III LE North Bridge

Figure 19: Thermally-sensitive components

CAUTION

An ambient temperature that exceeds the board's maximum operating temperature by more than 5°C could cause components to exceed maximum case temperature and malfunction. For information about the maximum operating temperature, see the environmental specifications in Section 11.7.

Table 40: Thermal considerations for components

Component	Speed	Maximum Temperature
Pentium® III processor	1.0 GHz	70°C (thermal case)
	933 MHz	75°C (thermal case)
	866 MHz	80°C (thermal case)
	800 MHz	80°C (thermal case)
	733 MHz	80°C (thermal case)
ServerWorks® CNB30LE		
ServerWorks® OSB4		

3.20 DC Voltage Regulation

Table 41 shows the DC output voltages that shall remain within the regulation ranges shown, which are measured at the load end of the output connectors under all line, load, and environmental conditions including Transients and Ripple & Noise.

Table 41: DC output voltage regulation

Output Voltage	Range	Min.	Nom.	Max.	Unit
+3.3VDC	+/- 5%	+3.2	+3.30	+3.465	Volts
+ 5 VDC	+/- 5%	+4.8	+5.00	+5.25	Volts
+12 VDC*	+/- 5%	+11.40	+12.00	+12.60	Volts
-12 VDC	+/- 5%	-10.80	-12.00	-13.20	Volts
+ 5 VSB	+/- 5%	+4.8	+5.00	+5.25	Volts

* At +12V/12sec surge, 12V output regulation can go to ±10%.

4 PCI Riser Board

4.1 Introduction

A PCI riser board is used in the SRMK2 Internet Server system to facilitate the addition of two PCI add-in boards into the 1u chassis. It provides two PCI-compatible connectors mounted in opposite directions parallel to the serverboard. The pinout of the connectors is exactly the same as a standard PCI compatible connector.

4.2 Riser Board PCI Bus Connectors

The riser card provides two 64-bit/66MHz PCI bus connectors. See [Table 34](#) for reference to the pinout and signal names on the 64/66 riser connector (J15).

4.3 PCI Add-in Cards

The PCI riser board allows for one full length and one low profile PCI card to be added to the system. These cards must be either +3.3V or Universal power cards. **+5V add-in cards are not supported on this system.** A list of supported and tested add-in cards for the SRMK2 system can be found at support.intel.com.

NOTE

With the SRMK2's extensive on-board hardware, approximately half of the 128k Boot ROM space on the system has been used, leaving about 60k free. Add-in cards which use >60k of Boot ROM space or add-in card combinations that use >60k of Boot ROM space will report an error message during BIOS POST (see below). Generally this error is seen with SCSI card adapters. You will see an error message at bootup similar to the following if you have exceeded the Boot ROM space limit:

Error:

0146: PCI Bus Number:00,Device:07,Function:0 Insufficient Memory to shadow PCI ROM

You can free up Boot ROM space by either disabling the on-board Adaptec 7899 SCSI Boot ROM or by disabling the Boot ROM on the add-in card. Doing so will, of course, disable your ability to boot from either the on-board Adaptec SCSI controller or the add-in card depending on which you disable. You will still be able to see and use the drives on the Adaptec device if you disable the on-board Boot ROM and you will be able to see and use the add-in card drives if you disable its Boot ROM.

To disable the on-board Adaptec 7899 SCSI controller Boot ROM follow these procedures:

- 1) Hit Ctrl-A when prompted at bootup to enter the Adaptec 7899 BIOS. (Note: Closely observe which controller card is being listed on the screen since having multiple SCSI cards in the system will give you multiple prompts for SCSI setup.)
- 2) After entering the SCSI Select setup, you will be prompted with a choice of Bus:Device:Channel for either Channel A or B. Choose either one and press <Enter>.
- 3) At the next screen you will have two options. Choose the option entitled "Configure/View Host Adapter Settings" and press <Enter>.

- 4) You will then see a list of options. Choose the option entitled “Advanced Configuration Options” and press <Enter>.
- 5) Choose “Host Adapter BIOS” from the options on the next screen and press <Enter>.
- 6) You will then be in the Host Adapter BIOS options menu. Choose the option entitled “Disabled:scan bus” and press <Enter>. (Note: You can also select the “Disabled:NOT scan” option if you do not want the bus scanned at startup).
- 7) Press the <Esc> key several times to remove yourself from the utility and remember to save changes whenever you are prompted.

You can also attempt these same steps to disable the Boot ROM option on the add-in cards though the steps may vary slightly depending on the card manufacturer. After rebooting the machine the Insufficient Memory error should be cleared.

4.4 Riser Board PCI Interrupt Routing Map

Table 42 lists the PIRQX signals and shows how the signals are connected to the PCI bus connectors.

Table 42: Riser board PCI connector interrupt routing map

OSB4 PIRQ Signal Name	PCI Bus Connector 1
PIRQA	INTA
PIRQB	INTB
PIRQC	INTC
PIRQD	INTD

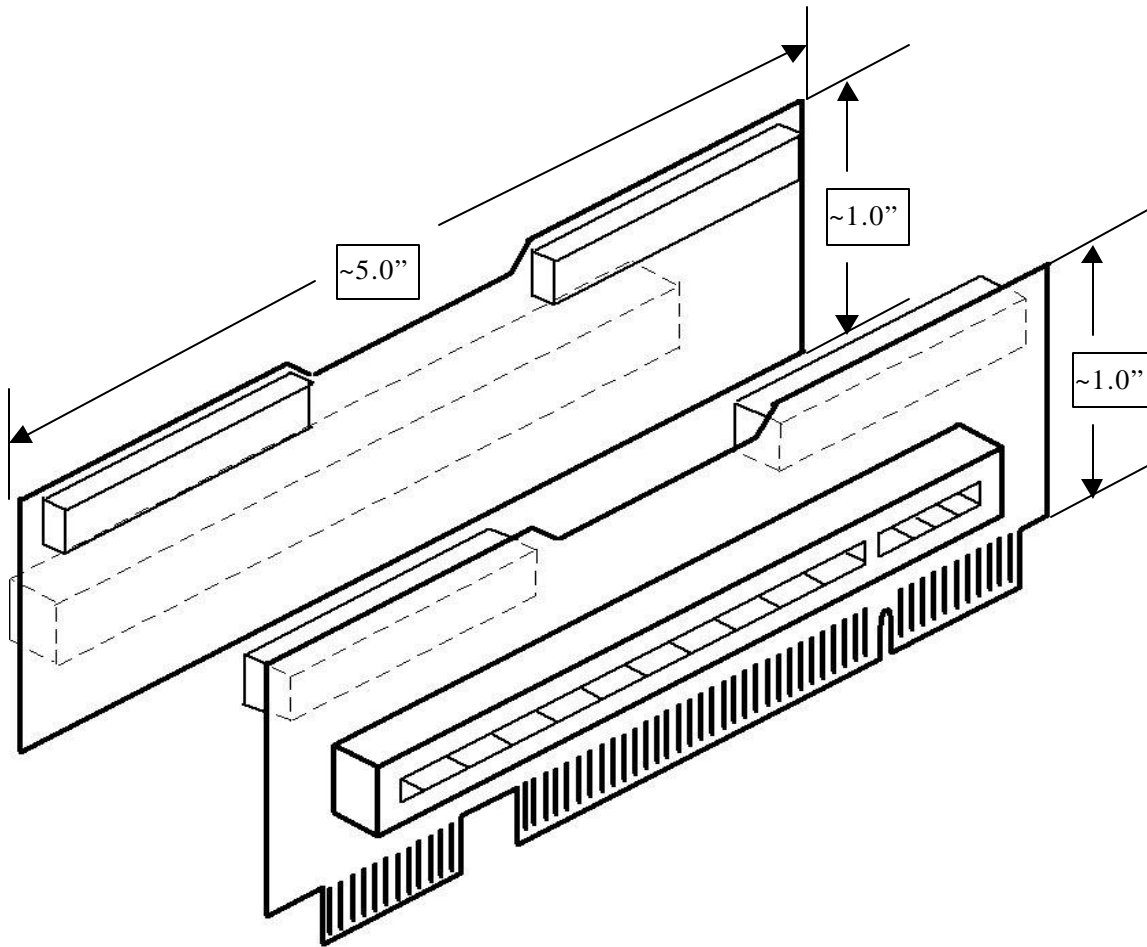


Figure 20: PCI riser board

5 Front Panel Board

5.1 Introduction

The front panel board provides nine LED indicators, four system control switches, and four LCD control switches. The front panel board is connected to the SRMK2 serverboard via a high-density connector.

Figure 21 depicts the layout of the front panel board.

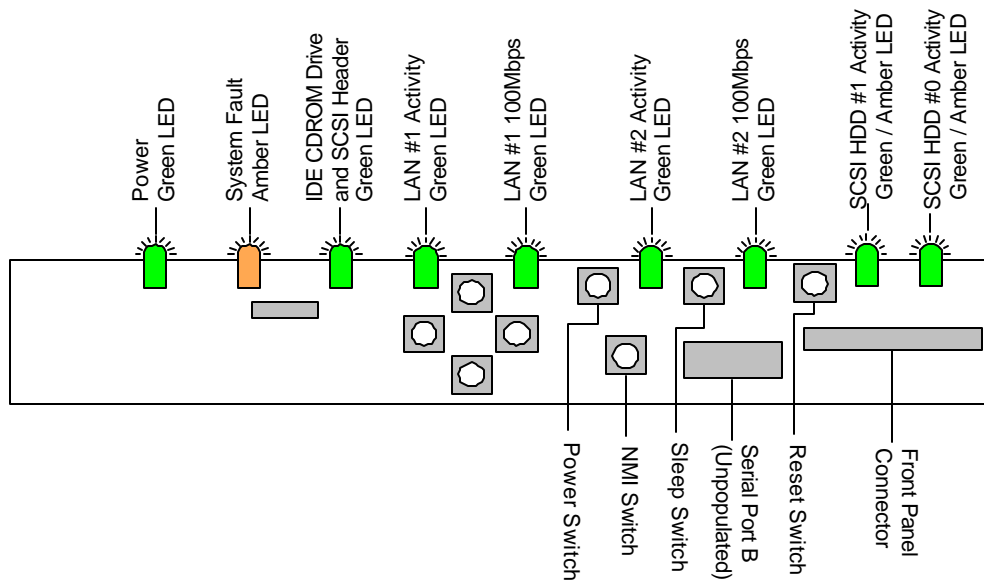


Figure 21: Front panel board

5.2 Front Panel Switches

Table 43 gives a description of the switches (buttons) on the SRMK2 front panel.

Table 43: Front Panel switches

Button	Description
Power On	This switch is used to turn on and off power to the system. Note that this <u>does not</u> turn off +5VSB Power.
Sleep	This switch is used to place the system into a sleep state.
RESET	This switch is used to issue a system reset.
NMI (P1_SERR#) (Resessed)	This switch is connected to PCI32 SERR# input of the OSB4. When depressed will cause and NMI to be issued to the system. It is used to dump the system state when the system is hung.

	system is hung.
--	-----------------

5.3 Front Panel LED Indicators

Table 44 defines the LED indicators on the front panel board. The LED's are numbered below from 1 through 9 when reading them from in front of the server from left to right.

Table 44: Front panel LEDs (DS1, DS2, DS3, DS4, DS5, DS6, DS7, DS8, DS9)

LED	Description
Power On (Green)	This LED indicates if the system is powered on. A blinking green LED indicates the system is in sleep mode.
System Fault (Amber)	This LED lights when the system has detected a system fault state.
Hard Disk (Green)	This LED indicates when any access to the hard drive has taken place. It shows activity from any one of three sources: Hard Disk 1, Hard Disk 2, or an external SCSI drive that is connected to the internal SCSI activity connector
LAN1 Activity/Link (Green)	This LED lights when a successful 10/100Mb link has occurred to an Ethernet port. Once the LED is lit, it blinks at a variable rate to indicate network activity on this channel.
LAN1 Speed (Green)	This LED lights when the LAN1 controller has detected and is configured to run at 100 Mbps operation. For 10 Mbps operation, the LED will not be lit.
LAN2 Activity/Link (Green)	This LED lights when a successful 10/100Mb link has occurred to an Ethernet port. Once the LED is lit, it blinks at a variable rate to indicate network activity on this channel.
LAN2 Speed (Green)	This LED lights when the LAN2 controller has detected and is configured to run at 100 Mbps operation. For 10 Mbps operation, the LED will not be lit.
SCSI HDD #1 Activity (Green)	This LED will light Green to show SCSI HDD #1 activity.
SCSI HDD #0 Activity (Green)	This LED will light Green to show SCSI HDD #0 activity.

5.4 Front Panel I/O Connector

The front panel board is connected to the SRMK2 serverboard through a high-density connector for I/O information. See Table 36 for Front panel I/O connector (J38) signal definitions.

6 SCSI Backplane

6.1 Introduction

The SCSI backplane provides nine fan headers for the system fans, two SCSI SCA drive connectors, and a power connector for the optional CDRROM. This board is located between the system fans and the front drive bays. The figure below depicts the layout of the SCSI backplane.

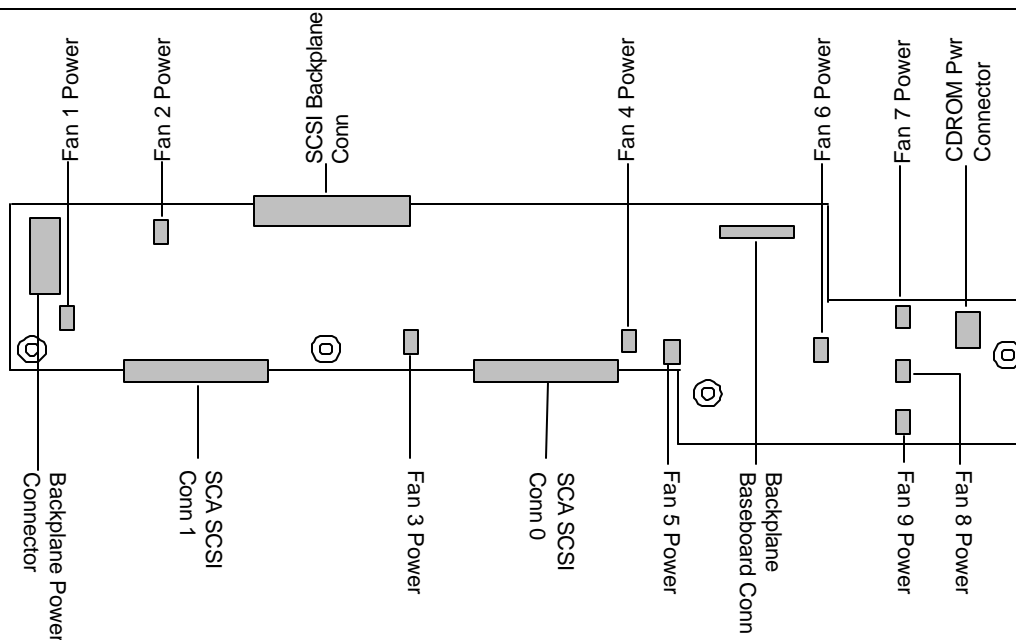


Figure 22: SCSI Backplane

Table 45: Fan 1-9 Power Connectors

Pin	Signal Name	Wire
1	+12V	Yellow
2	Ground	Black
3	Fan Tach	Red

Table 46: Backplane Power Connector

Pin	Signal Name	Wire
1	+12V	Yellow
2	+12V	Yellow
3	Ground	Black
4	Ground	Black
5	+3.3V	Orange
6	+5V	Red

Table 47: Backplane-to-Baseboard Connector (J10)

Pin	Signal Name	Pin	Signal Name
1	GND	11	Max Fans
2	ISC_SCL	12	GND
3	GND	13	Fan Mux 0
4	I2C_SDA	14	Fan Mux 1
5	Drive 0 Fault	15	GND
6	GND	16	Fan 4 Tach
7	Drive 1 Fault	17	Fan 3 Tach
8	Drive 0 Active	18	GND
9	GND	19	Fan 2 Tach
10	Drive 1 Active	20	Fan 1 Tach

7 BIOS Description

7.1 Overview

The SRMK2 serverboard uses an Intel/AMI BIOS, which is stored in Flash memory and can be upgraded using a disk-based program. In addition to the BIOS, the Flash memory contains the Setup program, POST, the PCI auto-configuration utility, and Plug and Play support. This serverboard supports system BIOS shadowing, allowing the BIOS to execute from 64-bit onboard write-protected DRAM. The BIOS displays a message during POST identifying the type of BIOS and a revision code. The initial production BIOS is identified as SRMK2A.86B.

The term “BIOS” as used in the context of this document, refers to the following:

- System BIOS, that controls basic system functionality using stored configuration values.
- Configuration Utilities (CU) consisting of a Flash ROM-resident Setup utility that provides user control of configuration values stored in NVRAM and battery-backed CMOS configuration RAM.
- Fail-Safe BIOS extensions that provide emergency remote-access diagnostic and configuration capabilities to a target system.
- Flash Memory Update Utility (IFLASH.EXE) that loads predefined areas of Flash ROM with Setup, BIOS, and other code/data.

Each of these is introduced here, with references to the appropriate section for details. A summary of memory maps for Flash, and CMOS configuration RAM and NVRAM register spaces (which provide the operating environment for BIOS code) is also presented.

7.2 System BIOS

The system BIOS is the core of the Flash ROM-resident portion of the BIOS. The system BIOS provides standard PC-BIOS services. In addition, the system BIOS provides support for these SRMK2 specific features:

- Security features
- Multiple-speed processor support
- Logging of critical events
- Server management features
- CMOS configuration RAM defaults
- Defective DIMM detection and remapping
- PCI BIOS interface
- Option ROM shadowing
- ECC support
- SMI support
- L2 cache support
- Memory sizing
- Boot drive sequencing
- Resource allocation support

7.2.1 Configuration Utility

The Configuration Utility (CU) provides the means to configure on-board hardware devices and add-in cards. The CU consists of the standard PC-AT Setup utility (a.k.a. Setup), embedded in Flash ROM, for configuration of on-board resources.

7.2.2 CMOS Configuration RAM Summary

The SuperI/O FDC37B782 chip on the baseboard contains battery-backed CMOS memory for system hardware setup parameters.

7.2.3 Flash Memory Update Utility

The system BIOS is resident in partitioned Flash ROM. The device is in-circuit reprogrammable, except for the recovery boot block, which is electrically protected from erasure.

To reload Flash memory, use a Flash update utility. The board ID must match with the one in the load file or the utility will not reprogram the Flash. This prevents the utility from reprogramming the Flash with BIOS for another platform. For more information, see [Section 8](#) for information on the Flash memory update utility.

7.2.4 Fail-Safe BIOS Extensions

The Fail-Safe BIOS extensions allow a remote user to diagnose and fix problems on a machine which has not successfully booted the OS. The centerpiece of the Fail-Safe extensions is the Emergency BIOS Console. The Emergency BIOS Console is a Flash ROM-resident utility that redirects input and output over a serial or modem connection. This console is only available when the system is set for “Appliance” mode via jumper J16 on the motherboard. For further information see the section entitled Jumper Blocks.

7.2.5 System Flash ROM Layout

The Flash ROM contains system initialization routines and runtime support routines. The exact layout is subject to change. All areas are 64 KB in size (symmetric flash). The complete ROM is visible, starting at physical address 4 GB less 1 MB. The Flash Memory Update utility loads BIOS components to blocks of specified length and location. None of the blocks are visible at the aliased addresses below 1 MB due to shadowing. The BIOS alone needs to know the exact Flash map. Intel reserves the right to change the Flash map without notice. All blocks in this flash part are 64k (10000h) in length. The BIOS will adjust the size of each component to fit in a given block.

7.3 System BIOS

This section describes features of the system BIOS that are unique to SRMK2. For a complete specification of standard PC-BIOS functions, see Section 14.2 for information about the AMBIOS 98 specification. The following groups of system BIOS features are described here:

- Security features
- Auto-configuration features
- Performance features
- Reliability features
- System services
- Boot options
- OEM customization hooks
- SMBIOS support
- Soft power switch
- POST memory manager support
- ACPI support

7.3.1 Auto-Configuration Features

The BIOS provides support for auto-configuration of the following:

- Plug and Play
- SMP initialization
- Memory sizing
- Boot drive selection
- PS/2 Mouse and keyboard swapping
- Multi-processor support
- Pentium® III processor BIOS update
- USB keyboard and mice
- Boot Splash Screen

7.3.1.1 Plug and Play

The BIOS supports the following industry standards for full Plug and Play capabilities:

- Plug and Play (PnP) ISA specification
- System Management BIOS Reference Specification
- PCI Local Bus specification

See Section 14.2 for information about these specifications.

7.3.1.1.1 Resource Allocation

The system BIOS identifies, allocates, and initializes resources in a manner consistent with other Intel servers. The BIOS scans for the following, in order:

1. Devices required for early console redirection
2. ISA devices
3. Off-board PCI devices
4. On-board PCI devices

7.3.1.1.2 Early Device Auto-Configuration

The BIOS performs early initialization of the serial port for console redirection. This initialization must occur before initialization of the video controller so that all POST information may be redirected to a remote user.

7.3.1.1.3 PnP ISA Auto-Configuration

For ISA PnP, the BIOS:

- Fully supports the PnP ISA protocol.
- Reads the PnP ISA configuration port.
- Assigns the system I/O, memory, DMA channels, and IRQ's from the resource pool. The Super I/O chip is an example of a PnP ISA device.

7.3.1.1.4 PCI Auto-Configuration

The BIOS supports the INT 1Ah, AH = B1h functions in conformance with the PCI specification, Rev. 2.1. It also supports the 16 and 32-bit protected mode interfaces as required by the PCI BIOS specification. System POST performs auto-detection and auto-configuration of ISA, ISA Plug-N-Play, and PCI devices. This process maps each device into memory and/or I/O space and assigns IRQ's and DMA channels as required, so that there are no conflicts prior to booting the system. The BIOS scans the PCI devices on each PCI bus in low to high sequence. The PCI buses are also scanned in the same order. The BIOS programs the PCI-ISA interrupt routing logic in the OSB4 to steer PCI interrupts to compatible ISA IRQ's.

Drivers and OS programs can determine the installed devices and their assigned resources using the BIOS interface functions. The BIOS does not support devices behind PCI-to-PCI bridges that require mapping to the first 1 MB of memory space due to architectural limitation.

7.3.1.1.5 On-board Device Auto-Configuration

The BIOS detects all on-board devices and assigns appropriate resources. The BIOS dispatches the option ROM code for the on board devices to DOS compatibility hole (C0000h to DFFFFh) and transfers control to the entry point.

7.3.1.1.6 On-board Video Controller

The BIOS detects video adapters starting with the first PCI slot. The video BIOS is shadowed, starting at address C0000h, and is initialized before memory tests begin in POST.

7.3.1.2 Multi-Processor Support

The SRMK2 BIOS supports one or two Pentium® III processors. When using one processor a terminator must be placed in the second processor socket.

7.3.1.2.1 Multi-processor specification support

The SRMK2 BIOS complies with all requirements of the Intel Multi-Processor Specification (MPS) version 1.4 for Symmetric Multi-Processor (SMP) support. Since

all the operating systems have migrated to MPS version 1.4, MPS version 1.1 is no longer supported. The MP Configuration Table contains the following entries:

- MP table header
- Processor entries
- PCI bus entries
- I/O APIC entries
- I/O interrupt entries
- Local interrupt entries
- System address space mapping entries
- Bus hierarchy descriptor
- Compatibility bus address space modifier entries

Note that some I/O interrupt entries in the MPS table describe a direct connection from each PCI device to the I/O APICs. This is different from previous Dual Processor platforms. In previous platforms, the PCI interrupts were represented in terms of their equivalent ISA IRQ's in the MPS table by default, and there was a setup switch to control the representation.

The setup switch is no longer supported because all of the operating systems now correctly support the PCI interrupts. Not having a configuration option provides more flexibility in baseboard design. Describing direct PCI interrupt connections permits the operating system and the BIOS to minimize interrupt sharing between PCI devices, and improves interrupt latencies. All SMP operating systems and associated drivers must be able to support an interrupt vector larger than 16 for it to work on the SRMK2 motherboard.

7.3.1.2.2 Multiple processor support

Pentium® III processors have a protocol based on microcode-MP initialization. On reset, the Pentium® III processors compete to become the BootStrap Processor (BSP). If a serious error is detected during the Built-In Self-Tests (BIST), that processor does not participate in the initialization protocol. A single processor that successfully passes BIST is automatically selected by the hardware as the BSP. This processor starts executing from the reset vector (F000:FFF0h). A processor that does not perform the role of BSP is referred to as an Application Processor (AP). The BSP is responsible for executing POST and preparing the machine to boot the OS.

The SRMK2 BIOS performs several other tasks in addition to those required for MPS support, as described in *MP Specifications*, Revision 1.4. These tasks are part of the fault resilient booting algorithm. At the time of booting, the system is in virtual wire mode and only the BSP is programmed to accept local interrupts (INTR driven by the PIC and NMI). As a part of the boot process, the BSP wakes each AP. When woken, an AP programs its memory type range registers (MTRRs) so they are identical to those of the BSP. All APs execute a halt instruction with their local interrupts disabled. The SMM handler, expects all the system processors to respond to an SMI. To ensure that an AP can respond to an IPI, any agent that wakes an AP must ensure that the AP is left in the halt state, not the “wait for startup IPT” state. The waking agent must also ensure that the code segment containing the halt code executed by an

AP is protected, and does not get overwritten. Failure to comply with these guidelines will result in a system hang during the next SMI.

7.3.1.2.3 Multiple Processor speed support

The SRMK2 BIOS supports numerous versions of Pentium® III without the need to reflash the BIOS. Two processor modules of different operating frequencies are not allowed within a single system configuration. All installed processors must run at the same frequency (for example, the bus and core frequencies of all processors must be identical). Also, for best performance, all processors should be of the same revision. Additionally, the processors in the system must be run at the same speed.



NOTE

The BIOS setup reports the type and speed of all detected and enabled processors. If the BIOS detects processor speed mismatches, it will disable processors, starting with the slowest processor, until the mismatch has been eliminated. In the worst case, only one processor will be enabled. The BIOS will issue a POST error indicating a mismatch in processor speeds.

7.3.1.3 Memory Sizing

During POST the BIOS:

- Tests and sizes memory
- Configures the memory controller

SRMK2 supports various sizes and configurations of ECC SDRAM DIMMs. Memory sizing and configuration are only guaranteed for qualified DIMMs. The BIOS gathers all type, size, speed and memory attributes from the on-board EEPROM or SPD on the memory DIMM. The memory must be stuffed from the lowest DIMM socket to the highest for the memory to work in all configurations over the full environmental range of the server.

The memory-sizing algorithm determines the size of each row of DIMMs. The BIOS reads the DIMM speed information and programs the PAC accordingly. The BIOS always initializes ECC memory. The BIOS is capable of reporting up to 64 MB using INT 15h, AH = 88h, or 4096 MB using INT 15h, function E801h. INT 15h, function E820h supports reporting of the system memory regions.

7.3.1.4 Boot Device Selection

The BIOS adheres to the *BIOS Boot Specification* (BBS). See Section 14.2 for information about this specification. A boot device other than the one specified by the BBS may be selected during recovery from boot failures.

7.3.1.5 Processor Microcode Update API

The Pentium® III processor has the capability to correct specific errata through the loading of an Intel supplied data block. The *Pentium® Pro Processor BIOS Update Specification* defines a way to incorporate future releases of such a data block (also called the “update”) into a system BIOS. The BIOS is responsible for storing the update in a non-volatile memory block and loading it into the Pentium® III processor during POST sequence. The Pentium® Pro processor BIOS update specification requires the system BIOS to implement function calls to read the update and

overwrite the existing update with a new release. These functions can be accessed from real mode by executing INT 15 with AX=0xD042. The corresponding 16-bit protected mode interface is not implemented. The BIOS performs all the recommended security checks before validating an update. See Section 14.2 for information about the *Pentium® Pro Processor BIOS Writer's Guide*.

7.3.1.6 Processor Clock Ratio Settings and CMOS Clear

SRMK2 will support all speeds of the Intel Pentium III processors. Processor speeds and, therefore, clock ratios are hard-coded within the processor and no jumpers are required. See section 3.3 for a list of supported processors.

7.3.1.7 Boot Splash Screen

The SRMK2 BIOS will include default Intel logo that can be displayed during BIOS POST. The display is optional.

If the QuietBoot option is disabled via BIOS setup, the BIOS displays the usual POST screen, including the memory count and the processor information during POST. If the QuietBoot option is enabled and a valid logo is detected, the BIOS displays the logo during POST and suppresses the usual POST screen.

The user may hit the <Escape> key to switch to the POST diagnostic screen from the logo. Unlike previous platforms, the BIOS does not erase the logo when option ROMs are scanned. Since option ROMs expect the video to be in text mode, the BIOS emulates text mode. The option ROM screen is restored if the user presses <Escape> key. The ROM screen is restored if the BIOS detects any key combination including <control> or <alt> key during option ROM scan because many option ROMs employ such a key combination to enter their setup. While the splash logo is displayed, the video is in graphics mode and BIOS console redirection is disabled. OEMs can customize the logo.

7.3.2 Performance Features

For enhanced performance, the BIOS sets up the L2 cache controller for the Pentium® III processor and performs option ROM shadowing.

7.3.2.1 L2 cache Initialization

To boost system performance, the processor contains an L2 cache and cache controller, which previously had been handled by external devices. The BIOS programs the processor's L2 cache controller in a manner that is consistent with the chipset. The L2 cache is tested as a part of the processor BIST. The BIOS detects the cache size and cache type (ECC or non-ECC), and programs the cache controller accordingly before performing any cache operations. Table 48 describes the default values loaded in the MTR registers.

Table 48: Memory type range register table

Offset	Name	Description	Default
0FEh	MTRRCAP	Capability MSR, RO: VCNT, FIX, USWC	0508h
200h	MTRRphysBase0	Physical Address Base 0	00006h
201h	MTRRphysMask0	Physical Address Mask 0	00FFE000800h
202h	MTRRphysBase1	Physical Address Base 1	0000h
203h	MTRRphysMask1	Physical Address Mask 1	0000h

204h	MTRRphysBase2	Physical Address Base 2	0000h
205h	MTRRphysMask2	Physical Address Mask 2	0000h
206h	MTRRphysBase3	Physical Address Base 3	0000h
207h	MTRRphysMask3	Physical Address Mask 3	0000h
208h	MTRRphysBase4	Physical Address Base 4	0000h
209h	MTRRphysMask4	Physical Address Mask 4	0000h
20Ah	MTRRphysBase5	Physical Address Base 5	0000h
20Bh	MTRRphysMask5	Physical Address Mask 5	0000h
20Ch	MTRRphysBase6	Physical Address Base 6	0000h
20Dh	MTRRphysMask6	Physical Address Mask 6	0000h
20Eh	MTRRphysBase7	Physical Address Base 7	0000h
20Fh	MTRRphysMask7	Physical Address Mask 7	0000h
250h	MTRRfix64k_00000	Fixed range for 00h - 7Fh segment in 64KB block	0606060606060606h
258h	MTRRfix16k_80000	Fixed range for 80h - 9Fh segment in 16KB block	0606060606060606h
259h	MTRRfix16k_A0000	Fixed range for A0h - BFh segment in 16KB block	0000h
268h	MTRRfix4k_C0000	Fixed range for C0h segment in 4KB block	0000h
269h	MTRRfix4k_C8000	Fixed range for C8h segment in 4KB block	0000h
26Ah	MTRRfix4k_D0000	Fixed range for D0h segment in 4KB block	0000h
26Bh	MTRRfix4k_D8000	Fixed range for D8h segment in 4KB block	0000h
26Ch	MTRRfix4k_E0000	Fixed range for E0h segment in 4KB block	0000h
26Dh	MTRRfix4k_E8000	Fixed range for E8h segment in 4KB block	0000h
26Eh	MTRRfix4k_F0000	Fixed range for F0h segment in 4KB block	0505050505050505h
26Fh	MTRRfix4k_F8000	Fixed range for F8h segment in 4KB block	0505050505050505h
2FFh	MTRRdefType	Default memory type and global enable flags	00C00h

7.3.2.2 Cache State on Boot

The BIOS looks at a bit in CMOS to determine if the system cache should be enabled or disabled. If the cache is enabled, the cache controller in the processor is initialized in a consistent manner consistent with the chipset.

7.3.2.3 Option ROM Shadowing

All on-board adapter ROMs (stored in compressed form in the system Flash ROM), and PCI adapter ROMs are shadowed into RAM in the ISA-compatible ROM adapter memory space between C0000h to DFFFFh. PCI BIOS ROMs are always shadowed. Typically, the video BIOS is shadowed at C0000h if a video controller is present.

7.3.2.4 Memory Speed Optimization

The BIOS detects the system memory speed and bus speed and optimizes the memory controller for the best performance. The system bus speed can be determined by using the processor internal speed and the bus ratio. The memory DIMM speed can be determined using its ID. Using this information the BIOS can set up the memory controller register for the best performance.

7.3.2.5 Chipset Performance Optimization

The BIOS detects the system configuration (such as board ID, chipset stepping, and processor stepping) and optimizes the chipset for the best performance. The BIOS no longer supports a 1 MB hole at the 15-16 MB memory region.

7.3.3 Reliability Features

The BIOS supports several features to create a robust computing environment including:

- ECC memory and defective DIMM handling
- Logging of critical events
- CMOS default override
- Fault-Resilient Booting (FRB)

Also see Section 9 for more information on error handling and critical event logging.

7.3.3.1 Defective DIMM Detection and Remapping

The ECC memory subsystem on the SRMK2 is able to detect single-bit errors (SBE) and certain multi-bit errors (MBE) during reads from and writes to system DRAM. Single-bit errors can be detected and corrected. Certain patterns of MBEs can be detected but cannot be corrected, whereas other types of MBEs cannot be detected.

During POST memory testing, detection of single-bit and multi-bit errors in DRAM banks is enabled. Repeat errors are avoided by reducing the usable memory in that bank so the byte containing the hard error is no longer accessible. This is done automatically by the BIOS during POST and does not require any user intervention. The BIOS logs the errors in the nonvolatile system event log. The BIOS detects the speed of individual DIMMs and disables a DIMM that is slower than what the hardware requires while displaying a warning message.

7.3.3.2 Memory Configuration Algorithm

The algorithm for determining memory configuration is as follows:

- 1) If there is no DIMM population or the DIMMs are defective or have the wrong speed then the BIOS sounds a beep code error and POST is terminated. At least 4 MB of good memory is required for POST to start up and each memory bank is individually probed for the size of installed DIMMs. After the BIOS detects the speed and type of the SDRAM it then programs the chipset accordingly. If the bank does not match one of the allowable configurations, BIOS reports the error with an error message. EDO memory is not physically supported due to the memory socket used on the serverboard. The BIOS will automatically shut off all ECC capability for the system if non-ECC memory is detected. All configuration data for the memory DIMMs is gathered by the BIOS from the SPD or EEPROM on the DIMM which is done via the SMBus interface on the OSB4.
- 2) If the BIOS disables or resizes a bank, an error message is displayed with the number of the failed memory. Another message informs the user that the amount of usable memory in that bank is being reduced to eliminate the failing location. Eliminating hard errors in this way during POST is done as a precaution to prevent an SBE from becoming an MBE after the system has booted and to prevent SBEs from being detected and logged each time the failed location(s) are accessed. This is recorded in the SEL (System Event Log) at both POST time as well as runtime with an SMI.

- 3) If the error is an SBE, the CNB30LE automatically corrects the data before it is returned to memory. The CNB30LE memory controller scrubs the memory location where the error occurred to correct the SBE, and the BIOS will record the SBE via an SMI to the SEL. If the error is an MBE this condition is considered fatal, and after the error is logged an NMI is generated telling the OS to handle this fatal error.

7.3.3.3 ECC Memory Initialization

The system BIOS handles ECC memory initialization. All memory locations, including System Management RAM and shadow memory region, are unconditionally initialized during POST (set to 0). Error detection is disabled while ECC memory is initializing to prevent false alarms caused by uninitialized memory bytes. If hard errors are detected during the memory test, the memory partition containing the errors is resized to eliminate the failing locations.

7.3.3.4 ECC and SMI Support

During normal operation, any SBEs (single-bit errors) that are detected and are handled by the SMI support code. The SMI code logs the SBE to the system event log. Scrubbing is always automatically enabled when ECC memory is detected. The row containing the failing location is scrubbed by the memory controller reading the corrected data and writing back the correct data automatically. If a read from shadow memory results in an SBE, the BIOS must enable writes to that area, scrub the location, and disable writes. Scrubbing helps to prevent a single-bit correctable error from turning into multiple-bit errors in the future. Scrubbing an entire row is a time consuming operation and might affect correct functioning of certain operating systems. If MBEs are detected, the BIOS SMI handler will log an event into the SEL (System Event Log) and then generate an NMI to the OS.

7.3.3.5 Logging System Events

The BIOS can log critical and informational events to nonvolatile memory. This area is managed by the BIOS and can be accessed by an OS NVRAM driver. A critical event is one that might result in the system being shut down to prevent catastrophic side effects from propagating to other parts of the system. Multi-bit and parity errors in the memory subsystem are considered critical errors, as are most errors that traditionally generate a Non-Maskable Interrupt (NMI). In the SRMK2 these errors are first routed to System Management Interrupt (SMI). These errors include I/O channel check, software generated NMI, and PCI SERR and PERR events. During POST, the BIOS initializes System Management RAM (SMRAM) with error handling and logging code. The processor has a private area of SMRAM dedicated to it for SMI processing. The DRAM controller and OSB4 are programmed to generate an SMI for PCI SERR and PERR, software generated NMI, I/O channel check, and ISA watchdog time-out and NMIs generated by the PAC. The PAC generates an SERR if parity/ECC errors are observed in the memory subsystem. The PAC generates an interrupt if a single-bit correctable error is observed in the memory subsystem. The OSB4 can be programmed to generate an SMI on this interrupt. When these errors are detected, the SMI routines log the error or event in a manner that is transparent to the OS and then causes an NMI to be generated for certain events, so the OS can respond appropriately. The BIOS also logs an event on another type of memory error called Single Bit Error (SBE). For this error, the BIOS will not generate an NMI to the OS.

7.3.4 System Services

The BIOS provides an interface, using the software interrupt 15h, to report system configuration information to application programs or the OS. Table 52 shows functions provided by the BIOS in addition to the IBM AT standard INT 15h functions:

Table 49: System information (INT15h) functions

Function (AX)	Description
DA12h	New cache services
DA8Ch	Get version information
DA92h	Processor information

The following sections describe each function, showing the values in processor registers on call and return.

7.3.4.1 New Cache Services

Table 50: New Cache Services

Call With		Description
AH = Dah		
AL = 12h		
CL = 0		Disable Cache
CL = 1		Enable Cache
CL = 2		Read Cache Status
CL = 3		Set Writeback Mode
CL = 4		Set Write-through Mode
Returns		Description
AH = bit 0	= 0	Disable Cache
	= 1	Enable Cache
AH = bit 1	= 0	Write-through Mode
	= 1	Write-back Mode
CX = bit 15		Size Information Valid Flag
= bits 14::0		Size of L2 Cache in 32KB blocks
CF = 1, AH = 86h		Function not supported



NOTE

The SRMK2 does not support switching from writeback to write-through modes during runtime. This function is not supported if the processor is not in real mode.

7.3.4.2 Get Version Info

Table 51: Get Version Info

Call With	Description
AH = Dah	
AL = 8Ch	
CL = 0h	Get BIOS Version
ES =	Segment for Data Buffer (32 bytes)
DI =	Offset for Data Buffer
Returns	Description
CL = 3	To indicate AMIBIOS ID version 3 format 32 byte ID includes: 3-7 byte board ID, 'Pinot' 1 byte board revision, starting from '0' 3 byte OEM ID, '86B' for standard BIOS 4 byte build number 1-3 byte describing build type (D for development, A for Alpha, B for Beta, Pxx for production version xx) 6 byte build date in mmddyy format 4 byte build time in hhmm format 5 bytes reserved for future use
CF = 1, AH = 86h	Invalid parameters / Function not supported



NOTE

The call "Get PCiset Version" is now obsolete.

7.3.4.3 Processor Info

Table 52: Get Processor Info

Call With		Description
AH = DAh		
AL = 92h		
CL = 0		
Returns		Description
AL =		Stepping ID
AH =		Model
BL =		Family
CX =		Processor bus speed in BCD (MHz)
DX =		Processor core speed in BCD (MHz)
CF = 1		Error
CF = 1, AH = 86h		Function not supported



NOTE

This call is enhanced to report the processor core speed and the maximum number of processors in the system. The way processors are numbered is also changed.

7.3.5 Boot Options

The SRMK2 BIOS conforms to the BIOS Boot Specification (BBS). There are several additional BIOS features not described in the BBS, which pertain to booting. These are described in the following sections.

7.3.5.1 Quiet Boot

The BIOS includes a default Intel logo that can optionally be displayed during BIOS POST in lieu of the POST diagnostic screen. If the Quiet Boot feature is disabled via BIOS setup, during POST the BIOS displays the usual POST screen including the memory count and processor information. If Quiet Boot is enabled and a valid logo is detected, the BIOS displays the logo during POST and suppresses the usual POST screen. The user may press the <ESC> key to switch to the POST diagnostic screen from the logo. The BIOS erases the logo when option ROMs are scanned, because some option ROMs expect the video to be in text mode. The OEM splash screen implementation follows the guidelines specified in PC99 System Design Guide. See Section 14.2 for information about this specification. While the splash logo is displayed, the video is in graphics mode. The BIOS logo can be customized, see Section 7.3.6 for detail.

7.3.5.2 PXE Boot

The SRMK2 BIOS provides network boot support as described in the *Preboot Execution Environment (PXE) Specification*, ver 1.0 and the *Preboot Execution Environment BIOS Support Specification*, ver 1.1. This feature works within the standard framework of the BBS support. See Section 14.2 for information about this specification.

7.3.5.3 Ultra DMA IDE Support

The SRMK2 BIOS provides Ultra DMA IDE support. This feature can be disabled via BIOS setup.

7.3.6 OEM Customization

OEMs can customize the BIOS for product differentiation. The extent of customization is limited to what is stated in this section. OEMs can change the BIOS look and feel and manage OEM-specific hardware, if any, by executing their own code during the POST sequence. OEMs can modify the contents of the message strings and supported languages by translating Intel supplied strings into the desired language. The code in a user binary may not hook critical interrupts, reprogram the PCIset, or take any action that affects the correct functioning of the system BIOS.

7.3.6.1 User-supplied BIOS Code Support

A 16KB region of Flash ROM is available to store the User Binary. Using the iFLASH utility, this region can be updated with OEM supplied code and data – a User Binary. At several points throughout POST control is passed to this User Binary.

The User Binary must adhere to the following requirements:

1. In order to be recognized by the BIOS and protected from runtime memory managers, the User Binary must have an Option ROM header (55AA, size).
2. The system BIOS performs a scan of the User Binary Area at predefined points during POST. Mask bits must be set within the User Binary that inform the BIOS if an entry point exists for a given time during POST.
3. The system state must be preserved by the User Binary.
4. The user Binary code must be relocatable. It will be located within the first Megabyte. The User Binary code should not make any assumptions about the value of the code segment.
5. The user Binary code will always be executed from RAM and never from flash.

The BIOS copies the User Binary into system memory before the first scan point. If the User Binary reports that it does not contain runtime code, it is located in conventional memory (0-640k) saving limited option ROM space. If the User Binary code is required at runtime, it is copied to option ROM space. At each scan point during POST, the system BIOS will determine if this scan point has a corresponding User Binary entry point to transfer control to. To determine this, the bitmap at byte 4 of the header is tested against the current mask bit (which has been determined/defined by the scan point). If the bitmap has the appropriate bit set, the mask is placed in AL and execution is passed to the address computed by $(ADR(\text{Byte } 5) + 5 * \text{scan sequence } \#)$.

During execution, the User Binary may access 11 bytes of Extended BIOS Data Area RAM (EBDA). The segment of the EBDA can be found at address 40:0e. Offset 18 to offset 21h is available for the User Binary. The BIOS also reserves four CMOS bits for the User Binary. These bits are in a region of CMOS that is not checksummed with default values of zero. These bits will be contiguous, but are not in a fixed location. Upon entry into the User Binary, the DX register will contain a ‘token’ that points to the reserved bits.

This token is of the following format:

MSB					LSB
15	...	12	11	...	0
# of bits available - 1			Bit offset from start of CMOS of first bit		

The most significant 4 bits will be equal to the number of CMOS bits available minus 1. This field will be equal to 3 since there are four CMOS bits available. The 12 least significant bits will define the position of the CMOS bit in the RTC (Real Time Clock). This will be a bit address rather than a byte address. The CMOS byte location is 1/8th of the 12-bit number, and the remainder will be the starting bit position within that byte. For example, if the 12-bit number is 0109h, the user binary can use bit 1 of CMOS byte 0108h/8, or 021h.

The following code fragment shows the header and format for a User Binary:

```
.286
    db      55h,0AAh,10h ; USER binary signature is 55h,AAh
                                ; 10h = size of user binary area
                                ; 8k = 10h*512 bytes
MyCode PROC    FAR                ; MUST be a FAR procedure

;*** Use for normal CU controllable user binaries
;
;    RETF                ; Signal to BIOS that what follows
                                ; is a standard user binary
                                ; that will be used if the Scan User
                                ; Flash CU selection is enabled.
;***
;*** Use for Mandatory user binaries
;
;    db      0CBh                ; Signal to BIOS that what follows
                                ; is a user binary that
;***
    db      04h                ; Bit map to define call points, a
                                ; one in any bit specifies that the
                                ; BIOS will be called at that scan
                                ; point in POST (scan points to be
                                ; defined
;*** jump table for each scan point

    JMP     scanpoint_01h ; follows a list of 8 transfer
    JMP     scanpoint_02h ; addresses, one for each bit in the
    JMP     scanpoint_04h ; bitmap. In all likelihood, only
    JMP     scanpoint_08h ; one of these will be used, earlier
    JMP     scanpoint_10h ; entries must be present, later can
    JMP     scanpoint_20h ; be omitted if desired.
    JMP     scanpoint_40h
    JMP     scanpoint_80h

;* it is extremely important that this table's assembled code appears
;* as a jump table in real mode (jumps must be e9 xx 00 00) for each entry.
;* some assemblers will change the jmp to eb xx yy 00 00 or do a long
;* jump eb xx yy 00 00 00 00 which will create incorrect offsets. That is
;* why the .286 directive was used with masm 6.11. .586p is used to insert
;* instructions that do not appear in the 286 instruction set and to maintain
;* the offsets in the table.

; In this example since the mask is defined as 04h only scanpoint_04h
; will be executed during post. This happens to occur just before video
```

; initialization. If the mask were 0Ch. Both scanpoint_04h and
; scanpoint_08h would be executed during post.

7.3.6.1.1 Scan Point Definitions

Table 53 defines the bitmap for each scan point, indicating when the scan point occurs and which resources are available (RAM, Stack, Binary Data Area, Video, Keyboard).

Table 53: User binary area scan point definitions

Scan Point	Mask	RAM/Stack/BDA	Video/Keyboard
Near pointer to the User Binary extension structure: the Mask bit is 0 if this structure is not present. Instead of a jump instruction the scan address (offset 5) contains a 0CB followed by a near pointer.	01h	Not applicable	Not applicable
If SMM is enabled in CU, the system BIOS copies the User Binary code into SMRAM. The part of the User Binary that is executed on SMI will be executed in SMRAM. The SMI handler will not make far calls because of security concerns. The User Binary can be used to handle OEM-specific SMI events that a standard SMI handler does not know about. This is done in order to minimize the SMI latency. This scan only occurs as a result of an SMI (during SMM). This routine is executed after all other SMI detection routines if the standard detection routines cannot handle the SMI.	02h	A stack is assured. In addition, the part of SMRAM that the User Binary is copied to can be used for storing data. A User Binary implementation can reserve some bytes for data storage. These locations can only be written to while in SMM. Remember, this is SMRAM and only accessible when in SMM. It will persist between SMM invocations (but not across resets or power-downs). The processor is in real mode at this point.	Video memory and INT 10h services are not accessible since SMRAM is mapped on top of where video RAM usually is. Keyboard services are not available through BIOS, although port accesses to the keyboard are possible. All the restrictions that are placed on SMM code apply.
This scan occurs immediately <u>after</u> video initialization.	04h	Yes	Yes
This scan occurs immediately <u>before</u> video initialization	08h	Yes	No
This scan occurs on POST error. On entry, BX register contains the number of the POST error	10h	Yes	Yes
This final scan occurs immediately <u>before</u> the INT 19 for normal boot and allows you to completely circumvent the normal INT 19 boot if desired.	20h	Yes	Yes
This scan occurs immediately <u>before</u> the normal external ROM scan. This is just before boot, but prior to the scan for external ROMs and the scan for conventional BIOS in User Binary.	40h	Yes	Yes
This scan occurs immediately <u>after</u> the "normal" User Binary area scan.	80h	Yes	Yes

Table 54: Format of the user binary information structure

Offset	Bit Definition
0	Bit 0 = 1 if mandatory User Binary, = 0 if not mandatory Bit 1 = 1 if runtime presence required (other than SMM user binary portion, SMM user binary will always be present in runtime irrespective of setting of this bit), = 0, if not required in runtime, and can be discarded at boot time. Bit 7:2 - reserved for future expansion
1 - 0fh	Reserved for future expansion

If this structure is not present, that is, the mask bit 01 is not set, the system BIOS assumes that the user binary is not mandatory, and it is required in runtime.

7.3.6.2 Multiple Language Support

The BIOS supports five languages at a time. iFLASH is used to load language support that replaces the text strings for POST and general error messages with text strings translated into a particular language. Intel provides specifications for all BIOS text strings, so that any OEM can have them translated and prepared for updating with iFLASH. By default, the BIOS provides language support for English, Spanish, French, German, and Italian. The language can be selected using the CU.

7.3.7 SMBIOS Support

System management BIOS (SMBIOS) is a method of managing computers in an enterprise. The main component of SMBIOS is the Management Information Format Database, or MIF. This database contains all the information about the computing system and its components. Using SMBIOS, a system administrator can obtain the types, capabilities, operational status, installation date, and other information about the system components.

The *System Management BIOS Reference Specification* and its companion *DMTF Systems Standard Groups Definition* define “manageable attributes that are expected to be supported by SMBIOS-enabled computer systems.” Many of these attributes have no standard interface to the management software, but are known by the system BIOS. The *System Management BIOS Reference Specification* provides this interface via data structures through which the system attributes are reported. There are two access methods defined for the SMBIOS structures; one or both methods can be used in an SMBIOS-compliant BIOS. The first method, defined in v2.0 of this specification, provides the SMBIOS structures through a Plug-and-Play function interface. A table-based method, defined in v2.1 of this specification, provides the SMBIOS structures as a packed list of data referenced by a table entry point. Using SMBIOS, a system administrator can obtain the types, capabilities, operational status, installation date, and other information about the system components. Plug and Play functions 50h-5Fh are assigned for the SMBIOS interface. Each of the SMBIOS Plug and Play functions are available in both real-mode and 16-bit protected mode. General Purpose Nonvolatile (GPNV) interface as defined in the SMBIOS specification, Revision 2.3 will be provided. The SRMK2 BIOS supports GPNV areas as required by manufacturing.

The table convention, provided as an addition or alternative to the calling interface, allows the SMBIOS structures to also be accessed under 32-bit protected-mode operating systems such as Microsoft Windows® NT. This convention provides a searchable entry-point structure that contains a pointer to the packed SMBIOS structures residing somewhere in 32-bit physical

address space. Please refer to the *System Management BIOS Reference Specification* for details.

The SMBIOS structure entry types currently supported in the SRMK2 are:

- BIOS Information (Type 0)
- System Information (Type 1)
- Base Board Information (Type 2)
- System enclosure/chassis (Type 3)
- Processor information (Type 4)
- Memory controller information (Type 5)
- Memory module information (Type 6)
- Cache information (Type 7)
- Port connector information (Type 8)
- System Slots (Type 9)
- Onboard Device Information (Type 10)
- OEM strings (Type 11)
- System Configuration Options (Type 12)
- BIOS Language Information (Type 13)
- System Event Log (Type 15)
- Physical Memory Array (Type 16)
- Memory Error Information (Type 18)
- Memory Array Mapped Address (Type 19)
- System Boot Information (Type 32)

See Section 14.2 for more information about these specifications.

7.3.8 Soft Power Switch

Since the Severworks OSB4 does not have standby voltage the power button may be handled by the SMSC Super I/O chip (SIO). Currently, the power button in the SRMK2 does a request to the power state machine in the OSB4. It does not directly control power on the power supply.

7.3.8.1 Going from Power Off to Power On

The OSB4 monitors the power button and turns the system on. When the OSB4 receives power good it performs a reset to put the system into an ON state. The OSB4 may be configured to turn the system SRMK2 on for a variety of events including Wake on LAN and Wake on Ring.

7.3.8.2 Going from Power On to Power Off

When the power button is pushed while the system is on it causes the OSB4 to generate a SMI. The BIOS will then service this SMI and set the state machine in the OSB4 to the off state. As a safety mechanism, the OSB4 will automatically power the system off if BIOS fails to service the SMI after 4 seconds. The OSB4 will also power the system off if the power button is pressed and held for 4 seconds. During power-up the SMI handler that services the power button is not loaded until SMI is initialized. The SMI handler only sets the state machine in the OSB4 to the off state if the OS is not yet running. Once the OS is running, the SMI handler leaves the machine running and allows the OS to handle the power state.

7.3.9 POST Memory Manager Support

The BIOS supports revision 1.0 of the POST Memory Manager (PMM) specification. This specification allows external clients, such as option ROMs, to request memory buffer during initialization and release it later. Without the PMM, the option ROMs may overwrite buffers used by the system BIOS or another client. Check with your plug-in card vendor to make sure their PCI or ISA option ROM is PMM compliant. Being PMM compliant ensures that the plug in cards will not cause system hangs or memory conflicts during post initialization of Option ROMs.

7.3.10 ACPI Support

The SRMK2 BIOS supports the *Advanced Configuration and Power Interface Specification*, Revision 1.0. The primary role of the ACPI BIOS is to supply the ACPI Tables. POST initializes the ACPI tables and relocates them to extended memory. INT 15h, function E820 reports memory, which is used by the ACPI BIOS as reserved. An ACPI aware OS causes an SMI if the system is to be switched into ACPI mode. The system returns to legacy mode on hard reset or power-on reset.

There are three runtime components to ACPI:

- **ACPI Tables** - These tables describe the interfaces to the hardware. ACPI Tables can make use of a p-code type of language, the interpretation of which is performed by the OS. That is, the OS contains and uses an AML interpreter that executes procedures encoded in AML and stored in the ACPI tables; ACPI Machine Language (AML) is a compact, tokenized, abstract kind of machine language. The tables contain information about power management capabilities of the system, APIC information, and bus structure. The tables also describe control methods that operating system uses to change PCI interrupt routing, enable/disable devices in Super I/O, and find out the cause of the wake event.
- **ACPI Registers** - The constrained part of the hardware interface, described (at least in location) by the ACPI Tables.
- **ACPI BIOS** - The code that boots the machine and implements interfaces for sleep, wake, and some restart operations. The ACPI Description Tables are also provided by the ACPI BIOS.

The SRMK2 platform supports states S0, S1, S4 and S5. Different sleep states are defined in the ACPI specification. While entering S4 state, the operating system saves the context to the disk and most of the system is powered off. The system can wake up from such a state on front panel input, or a magic packet received by a Wake on LAN compliant LAN card, modem ring or RTC alarm. The BIOS performs a complete POST upon wake up from S4, and initializes the platform. The BIOS is not responsible for enabling Wake on LAN functionality in add-in cards. The WOL enable bit is typically located in the SEEPROM on the network card, and the user must use the configuration utilities that are shipped with the network card to set up the card in the correct mode. The RTC alarm is set up in the standard CMOS locations from 0 to 0Ch of the RTC ram.

S1: The BIOS will set up the ACPI tables for CPU sleep halt capability only. No context will be lost in this state and the CPU caches will maintain coherency.

S4: Hibernate or Save to disk. The BIOS will set up the ACPI tables and AML code to store memory and the machine state to disk. All context is saved to the disk before the system reverts to the soft off state (S5). Upon a power button press or wakeup event the system will restore

from disk and resume. This assumes that no hardware changes were made to the system while it was off.

S5: Soft off. The system, when executing a shutdown, will go to a state where the OSB4 is waiting for events to wake it up. Only the RTC section of the OSB4 is running in this state. The system is only truly off when the AC power is unplugged.

7.4 Fail-Safe BIOS Extensions

The SRMK2 Fail-Safe BIOS extensions are a new feature set which allows remote management and redundant boot capabilities to the preboot environment. This feature set includes:

- LAN alerts
- WatchDog Timer
- Paging support

Each of these features is described in the following sections.

7.4.1 LAN Alerts

LAN alerts allow the BIOS to notify one or more network clients that a critical error has occurred. LAN alerts will be disabled by default. They may be enabled by software via the CMOS interface. They are sent to the alert IP address specified in NVRAM using a hard-coded port value of 0xB80B. A LAN alert is structured as a UDP packet with the data portion of the UDP Payload containing a 32-byte header followed by SMBIOS error data. LAN alerts have the following structure:

```
struct header {
    UINT8  signature[4];      "RCON"
    UINT8  Version_no;       1
    UINT32 seq_no;           XXXX
    UINT32 ack_seq_no;       XXXX
    UINT8  command;          0x4A
    UINT8  status;           X
    UINT16 data_size;        Total Data contained followed by the end of
HEADER.
    UINT8  reserved[0xF];    XXXXXXXXXXXXXXXXXXXX
};
typedef struct header HEADER;
```

See *System Management BIOS Reference Specification* for details on the data portion of the LAN alert. See Section 14.2 for information about this specification.

7.4.2 WatchDog Timer (WDT)

In order to ensure that the OS is given every opportunity to boot, a WatchDog Timer booting mechanism has been defined to provide robust boot support. This BIOS feature works in conjunction with the Advanced Server Management (ASM) software which can be downloaded off the Internet. To activate this feature you should install the Advanced Server Management software onto your system, then turn the WatchDog Timer functionality on by placing a jumper on the Whitebox/Appliance jumper header on the motherboard. Upon activation, the WDT will monitor ASM software to ensure that the system is running properly. If the system does not boot correctly or there is a system crash, the watchdog timer (WDT) times out and resets the system.

For more detailed information regarding the WDT, see the Hardware Management Guide for the SRMK2 on the support.intel.com web site.

7.4.3 Paging Support

The SRMK2 supports paging as the result of a request from the ASM software. Any POST error that gets logged in the SEL also causes a page out if paging is enabled. If a page out is required, the BIOS reads the Pager Number String in NVRAM and uses it to dial out (this is set through the ASM software). GSM paging is not supported on this platform and paging is turned off by default. Paging is only supported through a modem add-in card.

8 Flash Memory Update Utility

The Flash Memory Update Utility (IFLASH.EXE) loads a fresh copy of the BIOS into Flash ROM. Updating a Flash area takes a file or series of files from a hard or floppy disk, and loads it in the specified area of Flash ROM.



NOTE

The utility IFLASH.EXE must be run without the presence of a Protected Mode control program, such as Windows or EMM386. Do not run in a DOS window under Windows NT, Win98 or Win95. IFLASH.EXE uses the processor's flat addressing mode to update the Flash part.

8.1 Loading the System BIOS

A new BIOS is contained in .BIx files. The number of .BIx files is determined by the size of the BIOS area in the Flash part. For further information on logical area 1 - System BIOS, see *Table 4-1: Flash Table*. As of this writing, the system BIOS area is 8 files (512KB). They are named as follows:

XXXXXXXXX.BIO ← (zero) through XXXXXXXXXXX.BI7

The first 8 letters of each filename on the release diskette can be any value, but cannot be renamed. Each file contains a link to the next file in the sequence. IFLASH.EXE does a link check before updating to ensure that the process is successful. However, the first file in the list can be renamed, but all subsequent filenames must remain unchanged. Once an update of the system BIOS is complete, the system is automatically rebooted into the OS.

9 Error Handling, Messages & Beep Codes

This section defines how errors are handled by the system BIOS on the SRMK2 platform. It describes the role of the BIOS in error handling and the interaction between the BIOS and platform hardware as far as error handling is concerned. In addition, error-logging techniques are described, and beep codes for errors are defined.

9.1 Error Sources and Types

One of the major requirements of server management is to correctly and consistently handle system errors. System errors on SRMK2 can be categorized as follows:

- ISA bus
- PCI bus
- Memory single and multi-bit errors
- Sensors
- Processor internal error, thermal trip error, temperatures and voltages, GTL voltage levels

The BIOS cannot detect errors on the processor bus because the CNB30LE does not monitor these. ISA and PCI bus errors can be further classified as ‘standard bus’ errors, which have a standard register interface across all platforms. All other errors, such as processor and ECC errors, are referred to as ‘product-specific’ errors, which require special consideration depending upon the system configuration. Product-specific errors can be emulated as standard bus errors, if specific routing of certain hardware signals, as documented in this section, is followed. This emulation is important to both OS and BIOS NMI handlers, which have no knowledge of product-specific errors, but need to recover and shut down the system gracefully.

9.2 Error Handlers

The BIOS has an NMI handler that gets invoked when an NMI occurs in POST. Generally, the OS traps the NMI and does not pass it on to the BIOS NMI handler. Therefore, the BIOS NMI handler is rarely invoked in a real operating environment. The SMI handler cannot be bypassed by the OS, and is used to handle and log system-level events that are not visible to the OS.

9.2.1.1 BIOS NMI Handler

To maintain DOS compatibility, the BIOS NMI handler only processes enabled standard bus errors, such as ISA Parity check or IOCHK# errors. It displays an error message, issues a beep signal, and halts. It disables NMI using bit 7 of I/O port 70h (RTC Index Port) on the occurrence of an unknown or spurious NMI. This can cause unusual side effects because it allows a spurious NMI to block a subsequent valid NMI.

9.2.1.2 OS NMI handler

The OS NMI handler processes standard bus errors at the OS level. Most OS NMI handler implementations are not product specific and behave in a manner similar to a BIOS NMI handler. It is the responsibility of the BIOS SMI handler to present platform-specific errors, such as multi-bit ECC errors, as one of the standard bus errors, like parity error, to the OS NMI handler.

9.2.1.3 SMI Handler

The SMI handler preprocesses all system errors, even those that are normally considered to generate an NMI. The SMI handler is responsible for properly detecting the error type, logging it to the appropriate error log, and passing the error on to the OS if required.

9.3 ISA Bus Error

ISA bus errors generate an NMI, triggered by a memory error or IOCHK# assertion on the ISA bus. The SRMK2 always uses ECC memory, so it emulates the ISA memory parity error as an uncorrectable ECC memory error. For other system fatal errors generated by the PCI or processor bus, the SMI handler can emulate a memory parity error to pass control to the NMI handler. An I/O register at 61h (System Control port B) is defined that controls and indicates the errors. The NMI can be disabled using the RTC Index port bit 7 (I/O port 70h). The following tables show the action taken by each error handler, and control bits associated with the error.

Table 55: Error handler action on ISA bus error

Handler	Action
BIOS NMI	Display an error message, and halt the system.
OS NMI	Log the error and gracefully shut down the system.
BIOS SMI	Log the event(s).

Table 56: ISA bus error control bits

Location	Function	Bit(s)	Description	Value
I/O 61h	System Control	7	Memory parity check error flag (RO)	1 = error, 0 = OK
	Port B	6	Channel check (IOCHK#) error flag (RO)	
		5:4	Reserved	
		3	Channel check enable (RW)	1 = enable, 0 = disable
		2	Parity check enable (RW) (system board error enable)	
		1::0	Reserved	

9.3.1.1 PCI Bus Error

The PCI bus defines two error pins, PERR# and SERR#, for reporting PCI parity errors and system errors, respectively. In the case of PERR#, the PCI bus master has the option to retry the offending transaction, or to report it using SERR#. All other PCI-related errors are reported directly by SERR#. SERR# can be routed to NMI. In the SRMK2 platform, PAC is the device that reports errors on PCI #1 using SERR#. All the PCI-to-PCI bridges are configured so they generate SERR# on the primary interface whenever there is SERR# on the secondary side. The same is true for PERR#. The following tables show the action taken by each error handler, and the control bits associated with this error.

Table 57: Error handler action on PCI bus error

Handler	Action
BIOS NMI	Halt the system and disable NMI
OS NMI	Log the error and shut down the system
BIOS SMI	Log PCI errors

Table 58: PCI bus error control bits

Location	Function	Bit	Description	Value
CNB30LE 04h-05h	PCICR	8	SERR# enable	1 = enable, 0 = disable
		6	PERR# enable	1 = enable, 0 = disable
CNB30LE 06h-07h	PCISR	15	Detected Parity Error	1 = error, 0 = OK
		14	Signaled System Error	1 = error, 0 = OK
		13	Received Master Abort	1 = error, 0 = OK
		12	Received Target Abort Status	1 = error, 0 = OK
		8	Data Parity Detected	1 = error, 0 = OK
CNB30LE 46h	ERRCMD	7	Enable SERR# on Received Target Abort	1 = enable, 0 = disable
		6	Enable SERR# on Transmitted Data Parity Error	1 = enable, 0 = disable
		5	Enable SERR# on Received Data Parity Error	1 = enable, 0 = disable
		4	Enable SERR# on Address Parity Error	1 = enable, 0 = disable
		3	Enable PERR# on Received Data Parity Error	1 = enable, 0 = disable
		2	Enable SERR# on ECC Uncorrectable Error	1 = enable, 0 = disable
		1	Enable SALERT on ECC Correctable Error	1 = enable, 0 = disable
		0	Enable SERR# on Received Master Abort	1 = enable, 0 = disable
CNB30LE 47h	ERRSTS	6	PCI Transmitted Data Parity Error	1 = error, 0 = OK
		5	PCI Received Data Parity Error	1 = error, 0 = OK
		4	PCI Address Parity Error	1 = error, 0 = OK
		2	DRAM Uncorrectable Error	1 = error, 0 = OK
		1	DRAM Correctable Error	1 = error, 0 = OK
		0	Shutdown Cycle Detected	1 = error, 0 = OK

9.3.2 Processor Bus Error

The CNB30LE does not report processor bus AERR# and BERR# error signals to the system. (AERR# indicates an address parity error and BERR# indicates an unrecoverable processor bus error.) Therefore, the system SMM handler does not log and report these types of errors to the OS.

9.3.3 Memory Bus Error

The CNB30LE generates SERR# on single and multiple-bit errors. The following register bits control and log the errors. The following tables show the action taken by each error handler, and control bits associated with the error.

Table 59: Error handler action on memory bus error

Handler	Action
BIOS NMI	Emulation or Disable NMI
OS NMI	Log the error and shut down the system
BIOS SMI	Log the error Note: The SMI handler might emulate processor bus fatal errors (only), and pass control to the BIOS NMI handler.

Table 60: Memory bus error control bits

Location	Function	Bit	Description	Value
CNB30LE 46h	ERRCMD	2	Enable SERR# on Uncorrectable ECC Error	1-enabled, 0-disabled
		1	Enable SALERT on ECC Correctable Error	1-enabled, 0-disabled
CNB30LE 47h	ERRSTS	2	DRAM Uncorrectable Error	1 = error, 0 = OK
		1	DRAM Correctable Error	1 = error, 0 = OK
CNB30LE E8h	ECESYN	7::0	ECC syndrome bits	varies

9.3.4 System Limit Error

The SRMK2 Heceta 3 ASIC monitors system operational limits. It manages the A/D converter, defines voltage and temperature limits, and defines chassis intrusion. Any sensor values outside of specified limits are fully handled by the BIOS and OS software. The BIOS response to any critical Heceta 3 error is to log the error, display an error condition, and shut down the system.

9.3.5 Processor Failure

The BIOS detects BIST failure and watchdog timer reset events.

9.4 Error Messages and Error Codes

The following tables show the beep codes and error messages for AMIBIOS.

Table 61: Beep codes

Beeps	Error message	Description
1	Refresh Failure	The memory refresh circuitry is faulty.
2	Parity Error	A parity error in the base memory (the first 64 KB block) of memory.
3	Base 64 KB Memory Failure	A memory failure in first 64 KB.
4	Timer Not Operational	A memory failure in the first 64 KB of memory, or Timer 1 is not functioning.
5	Processor Error	The CPU generated an error.
6	8042 - Gate A20 Failure	Cannot switch to protected mode.
7	Processor Exception Interrupt Error	The CPU on the CPU Card generated an exception interrupt.

Beeps	Error message	Description
8	Display Memory Read/Write Error	The system video adapter is either missing or its memory is faulty. This is not a fatal error.
9	ROM Checksum Error	The ROM checksum value does not match the value encoded in AMIBIOS.
10	CMOS Shutdown Register Read/Write Error	The shutdown register for CMOS RAM has failed.
11	Cache Memory Bad – Do Not Enable Cache	The cache memory test failed. Cache memory is disabled. Do not press <Ctrl> <Alt> <Shift> <+> to enable cache memory.

Table 62: BIOS Error Messages

Error Message	Description
8042 Gate-A20 Error	Gate A20 on the keyboard controller (8042) is not working. Replace the 8042.
Address Line Short!	Error in the address decoding circuitry.
C: Drive Error	No response from drive C:. Run the AMIDiag Hard Disk Utility. Check the C: hard disk type in Standard Setup.
C: Drive Failure	No response from hard disk drive C:. Replace the drive.
Cache Memory Bad, Do Not Enable Cache!	Cache memory is defective. Run AMIDiag.
CH-2 Timer Error	An AT system has two timers. There is an error in timer 2.
CMOS Battery State Low	CMOS RAM is powered by a battery. The battery power is low. Replace the battery.
CMOS Checksum Failure	CMOS RAM checksum is different than the previous value. Run WINBIOS Setup.
CMOS System Options Not Set	The values stored in CMOS RAM have been destroyed. Run WINBIOS Setup.
CMOS Display Type Mismatch	The video type in CMOS RAM does not match the type detected. Run WINBIOS Setup.
CMOS Memory Size Mismatch	The amount of memory found by AMIBIOS is different than the amount in CMOS RAM. Run WINBIOS Setup.
CMOS Time and Date Not Set	Run Standard Setup to set the date and time.
D: Drive Error	No response from drive D:. Run the AMIDiag Hard Disk Utility. Check the hard disk type in Standard Setup.
D: Drive failure	No response from hard disk drive D:. Replace the drive.
Diskette Boot Failure	The boot diskette in drive A: cannot be used to boot the system. Use another boot diskette and follow the screen instructions.
Display Switch Not Proper	Some systems require a video switch be set to either color or monochrome. Turn the system off, set the switch properly, then power on.
DMA Error	Error in the DMA controller.
DMA 1 Error	Error in the first DMA channel.
DMA 2 Error	Error in the second DMA channel.
FDD Controller Failure	AMIBIOS cannot communicate with the floppy disk drive controller. Check all appropriate connections after the system is powered down.

Error Message	Description
HDD Controller Failure	AMIBIOS cannot communicate with the hard disk drive controller. Check all appropriate connections after the system is powered down.
INTR1 Error	Interrupt channel 1 failed POST.
INTR2 Error	Interrupt channel 2 failed POST.
Invalid Boot Diskette	AMIBIOS can read the diskette in floppy drive A:, but it cannot boot the system with it. Use another boot diskette and follow the screen instructions.
Keyboard Is Locked...Unlock It	The keyboard lock on the system is engaged. The system must be unlocked to continue to boot.
Keyboard Error	The keyboard has a timing problem. Make sure a Keyboard Controller AMIBIOS is installed. Set Keyboard in Advanced Setup to Not Installed to skip the keyboard POST routines.
KB/Interface Error	There is an error in the keyboard connector.
No ROM BASIC	Cannot find a proper bootable sector on drive A:, C:, or CD-ROM drive. AMIBIOS cannot find ROM Basic.
Off Board Parity Error	Parity error in memory installed on an adapter card in an expansion slot. The format is: OFF BOARD PARITY ERROR ADDR = (XXXX) XXXX is the hex address where the error occurred. Run AMIDiag to find and correct memory problems.
On Board Parity Error	Parity error in serverboard memory. The format is: ON BOARD PARITY ERROR ADDR = (XXXX) XXXX is the hex address where the error occurred. Run AMIDiag to find and correct memory problems.
Parity Error	Parity error in system memory at an unknown address. Run AMIDiag to find and correct memory problems.

10 BIOS Setup Program

The BIOS Setup program is used for viewing and changing the system's BIOS settings. The user accesses Setup by pressing <F2> key after the Power-On-Self-Test (POST) memory test begins and before the operating system boot begins. The menu bar and a brief description of each menu item is shown in Table 63.

Table 63: BIOS Setup menu bar

Maintenance	Main	Advanced	Security	Boot	System Management	Exit
Clears passwords	Allocates resources for hardware components	Configures advanced features available through the chipset	Set passwords and security features	Selects boot options and power supply control	Configures server management features such as console redirection	Saves or discards changes to Setup program options

If “Quiet Boot” is enabled, an OEM logo will display instead of the “Press <F2> to enter Setup” message. The user can still enter Setup by pressing <F2> during the time an OEM logo is displayed.

NOTE

Note that a few seconds might pass before Setup is entered. This is the result of POST completing test and initialization functions that must be completed before Setup can be entered. When Setup is entered, the Main Menu options page is displayed.

Table 64 shows the function keys available for menu screens.

Table 64: BIOS Setup function keys

Setup Key	Description
<Enter>	Select Submenu: The <Enter> key activates sub-menus when the selected feature is a sub-menu, displays a pick list if a selected feature has a value field, or selects a sub-field for multi-valued features like time and date. If a pick list is displayed, the <Enter> key undoes the pick list, and allows another selection in the parent menu.
<ESC>	Exit: The <ESC> key provides a mechanism for backing out of any field. This key undoes the pressing of the <Enter> key. When the <ESC> key is pressed while the user is editing a field or selecting features of a menu, the parent menu is re-entered. When the <ESC> key is pressed in any sub-menu, the parent menu is re-entered. When the <ESC> key is pressed in any major menu, the exit confirmation window displays and the user is asked whether changes can be discarded.
<Tab>	Select Field: The <Tab> key selects a field within a configurable field. For example, when configuring the system time, use the <Tab> key to move between the hour, minute, and second fields.
<- > or <^ >	Select Item: The up or down arrow selects the previous or next value in a pick list, or the previous or next feature in a menu item's option list. The selected item must then be activated by pressing the <Enter> key.
<Ⓜ > or <← >	Select Menu: The left and right arrow keys move between the major menu pages. The keys have no effect if a sub-menu or pick list is displayed.
<F9>	Setup Defaults: Load the default configuration values for all fields. A menu will appear asking the user to confirm. Press <Yes> to load defaults. Press <No> to cancel loading defaults.

<F10>	Save and Exit: Save the current values and exit Setup. A menu will appear asking the user to confirm. Press <Yes> to save and exit. Press <No> to remain in Setup.
-------	--

10.1 Maintenance Menu

The menu bar is shown below.

Maintenance	Main	Advanced	Security	Server	Boot	Exit
--------------------	------	----------	----------	--------	------	------

The menu shown in Table 65 is for clearing Setup and boot passwords. Setup only displays this menu in configuration mode. See Section 3.18 for configuration mode setting information.

Table 65: Maintenance menu

Feature	Options	Description
Clear All Passwords	No options	Clears the user and supervisor passwords.

10.2 Main Menu

The menu bar is shown below.

Maintenance	Main	Advanced	Security	Boot	System Management	Exit
-------------	-------------	----------	----------	------	-------------------	------

Table 66 shows the Main menu. This menu reports processor and memory information and is for configuring the system date and time.

Table 66: Main menu

Feature	Options	Description
System Time	HH:MM:SS	Sets the system time.
System Date	MM/DD/YYYY	Sets the system date.
Floppy A	Not Installed 360 KB 5 ¼ 1.2 MB 5 ¼ 720 KB 3 ½ 1.44/1.25 MB 3 ½ (default) 2.88 MB 3 ½	Sets the floppy type
Hard Disk Pre-Delay	Disabled (default) 3 seconds 6 seconds 9 seconds 12 seconds 15 seconds 21 seconds 30 seconds	Selects the hard disk drive pre-delay. Causes the BIOS to insert a delay before attempting to detect IDE drives in the system.
Primary IDE Master	No options	Displays "Not Installed"
Primary IDE Slave	No options	Displays "Not Installed"
Secondary IDE Master	No options	Reports name of device installed, otherwise displays "Not Installed"

Secondary IDE Slave	No options	Reports name of device installed, otherwise displays "Not Installed"
Processor Configuration	Processor Type (No options) Processor Speed (No options) Processor Serial Number: Enabled / Disabled CPU ID L2 Cache	Displays processor type. Displays processor speed (MHz). Enables or Disables the Processor Serial Number Displays the CPU ID Displays the L2 Cache total
Language	English (US) (default). Spanish, Italian, French, German, Japanese (Kanji)	Selects which language the BIOS displays. (Serial re-direction does not work with Kanji)
BIOS Version	No options	Displays the version of the BIOS.
Total Memory	No options	Displays total memory (MB).

10.3 Advanced Menu

The menu bar is shown below.

Maintenance	Main	Advanced	Security	Boot	System Management	Exit
-------------	------	-----------------	----------	------	-------------------	------

Table 67 shows the Advanced menu. This menu configures advanced features that are available through the chipset.

Table 67: Advanced menu

Feature	Options	Description
Peripheral Configuration	See Table 68	Configures peripheral ports and devices.
Plug & Play O/S	Yes No (default)	Specifies if a Plug and Play operating system is being used. "No" lets the BIOS configure all the devices in the system. "Yes" lets the operating system configure Plug & Play (PnP) devices not required for boot if yours system has a Plug and Play operating system.
Reset Config Data	Yes No (default)	Clears the BIOS PCI/PnP configuration data stored in Flash on next boot.
Numlock	Off On (default)	Selects the power on state of the Numlock key.
Bank 0 Bank 1 Bank 2 Bank 3	No options	Displays memory type for each bank or "Not Installed."

Table 68: Peripheral configuration submenu

Feature	Options	Description
Serial Port A	Auto (default) Disabled Enabled	Disables or enables serial port A.

Diskette Controller	Disabled Enabled (default)	Disables or enables the integrated diskette controller.
Diskette Write Protect	Disabled (default) Enabled	Disables or enables write protect for the diskette drive.
Legacy USB Support	Auto (default) Disabled Enabled	Disables or enables support for legacy USB.
Onboard SCSI	Disabled Enabled (default)	Disables or enables the onboard SCSI controller.

10.4 Security Menu

The menu bar is shown below.

Maintenance	Main	Advanced	Security	Boot	System Management	Exit
-------------	------	----------	-----------------	------	-------------------	------

Table 69 shows the Security menu. This menu sets passwords and security features.

Table 69: Security menu

Feature	Options	Description
User Password Is	No options	Displays whether or not there is a supervisor password installed. Default is no user password installed.
Administrator Password Is	No options	Displays whether or not there is a supervisor password installed. Default is no supervisor password installed.
Set Admin Password	Press <Enter> to input a supervisor password.	Password can be up to seven alphanumeric characters. Default is no supervisor password.
Set User Password	Press <Enter> to input a user password.	Password can be up to seven alphanumeric characters. Default is no user password.
User Access Level	Limited No Access View Only Full (default)	"Limited" allows only limited fields to be changed such as Date and Time. "No Access" prevents user access to the Setup Utility. "View Only" allows access to the Setup Utility but the fields cannot be changed. "Full" allows any field to be changed.

10.5 Boot Menu

The menu bar is shown below.

Maintenance	Main	Advanced	Security	Boot	System Management	Exit
-------------	------	----------	----------	-------------	-------------------	------

Table 70 shows the Boot menu. This menu sets boot features and the boot sequence.

Table 70: Boot menu

Feature	Options	Description
Quiet Boot	Disabled (default) Enabled	"Disabled" displays normal POST messages. "Enabled" displays the OEM logo instead of POST messages.

Quick Boot	Disabled Enabled (default)	Allows the BIOS to skip certain tests while booting. This decreases the time needed to boot the system.
After Power Failure	Stays Off Last State (default) Power On	Determines the mode of operation if a power loss occurs. "Stays Off" keeps system off once power is restored. "Power On" boots the system after power is restored. "Last State" restores the system to the same state it was in before the power failed.
On Modem Ring	Stay Off (default) Power On	APM Mode only: Determines the action of the system when the system power is off and the modem is ringing.
On LAN	Stay Off Power On (default)	APM Mode only: Determines the action of the system when a LAN wake up event occurs.
On PME	Stay Off (default) Power On	APM Mode only: Determines the action of the system when a PCI Power Management Enabled wake up event occurs.
Primary Master IDE	1st IDE (default) 2 nd IDE 3 rd IDE 4 th IDE	Configures the peripheral devices. Configurable options for other IDE devices are similar to Primary Master IDE. Note that the Primary Master/Slave IDE port is not available on the baseboard.
Primary Slave IDE	2nd IDE (default)	
Secondary Master IDE	3rd IDE (default)	
Secondary Slave IDE	4th IDE (default)	
1 st to 6-th Boot Devices	Floppy (default) IDE-HDD ATAPI CD-ROM ARMD-FDD ARMD-HDD Disabled Intel UNDI, PXE-2.0 (LAN 1) Intel UNDI, PXE-2.0 (LAN 2) AIC-7899 AIC-7899 SCSI	Configures the boot sequence from the available devices. IDE-HDD = Hard disk drive. ARMD-FDD = ATAPI removable device-floppy disk drive. Intel UNDI, PXE-2.0 = Network boot using PXE. Channel B of the Onboard Adaptec SCSI 7899 Channel A of the Onboard Adaptec SCSI 7899 SCSI = If a SCSI device is installed, it will appear as one of the possible boot devices with the name of device.

10.6 System Management Menu

The menu bar is shown below.

Maintenance	Main	Advanced	Security	Boot	System Management	Exit
-------------	------	----------	----------	------	--------------------------	------

Table 71 shows the System Management menu. This menu sets server management features.

Table 71: System management menu

Feature	Options	Description
Serial Features	Serial Console Redirection	Disables or enables serial console redirection.
	Disabled Enabled (default)	
		Configures which COM port to use for serial

	Serial Port COM1 3F8 IRQ4 (default) COM2 2F8 IRQ3 COM3 3E8 IRQ4 Baud Rate 9600 19.2K (default) 38.4K 115.2K Flow Control No Flow Control CTS/RTS (default) XON/XOFF CTS/RTS+CD	console redirection and paging. Sets the baud rate. If enabled, it will use the flow control selected. CTS/RTS = Hardware. XON/XOFF = Software. CTS/RTS + CD = Hardware + Carrier Detect for modem use.
LAN Features	LAN Console Redirection Disabled (default) Enabled LAN Device Disabled LAN Device 1 (default) LAN Device 2	Disables or enables LAN console redirection. Configures which LAN device to use for LAN console redirection and LAN alerts.
Event Log Configuration	See Table 72 for Options.	Configures event log.

Note: The LAN Console Redirection works with a client application. This client application will be released on the support.intel.com website for the SRMK2 server.

Table 72: Event log configuration submenu

Feature	Options	Description
Event Log	No options	Displays whether or not there is space available in the event log.
Event Log Validity	No options	Displays whether or not the contents of the event log are valid.
Clear All Event Logs	Yes No (default)	Clears the event log after rebooting.
Event Logging	Disabled Enabled (default)	Disables or enables logging of DMI events.
Critical Event Logging	Disabled Enabled (default)	Disables or enables the logging of critical events such as PERR, SERR, ECC and NMI errors.

10.7 Exit Menu

The menu bar is shown below.

Maintenance	Main	Advanced	Security	Boot	System Management	Exit
-------------	------	----------	----------	------	-------------------	-------------

Table 73 shows the Exit menu. This menu exits the Setup program – saving, discarding, and loading default settings.

Table 73: Exit menu

Feature	Options	Description
Exit Saving Changes	No options	Exits system Setup and saves your changes in CMOS.
Exit Discarding Changes	No options	Exits system setup without saving your changes in CMOS.
Load Setup Defaults	No options	Loads setup defaults.
Load Custom Defaults	No options	Loads custom defaults.
Save Custom Defaults	No options	Save custom defaults.
Discard Changes	No options	Discards changes.

11 Certification

11.1 Safety Standards / Certifications

Table 74: Safety standards / Certifications summary

USA/Canada	UL 1950, 3 rd Edition/CSA 22.2, No. 950M93, 3 rd Edition
Europe	Low Voltage Directive, 73/23/EEC TUV/GS to EN60950 2nd Edition with Amendments, A1 = A2 + A3 + A4
International	CB Certificate and Report to IEC 60950, 3rd Edition including EMKO-TSE (74-SEC) 207/94 and other national deviations

11.2 Electromagnetic Compatibility (EMC) Regulations

Table 75: Electromagnetic compatibility (EMC) summary of SRMK2S model

USA	FCC 47 CFR Parts 2 and 15, Verified Class A Limit
Canada	IC ICES-003 Class A Limit
Europe	EMC Directive, 89/336/EEC EN55022, Class A Limit, Radiated & Conducted Emissions EN55024, Immunity Standard for Information Technology Equipment EN61000-3-2 Harmonic Currents EN61000-3-3 Voltage Flicker
Australia/New Zealand	AS/NZS 3548, Class A Limit
Japan	VCCI Class A ITE (CISPR 22, Class A Limit). IEC 1000-3-2; Harmonic Currents
Taiwan	BSMI, Class A (CISPR 22)
Korea	RRL, Class A (CISPR 22)
Russia	Gost Approval
International	CISPR 22, Class A Limit

Table 76: Electromagnetic compatibility (EMC) summary for SRMK2D

USA	FCC 47 CFR Parts 2 and 15, Verified Class B Limit
Canada	IC ICES-003 Class B Limit
Europe	EMC Directive, 89/336/EEC EN55022, Class B Limit, Radiated & Conducted Emissions EN55024, Immunity Standard for Information Technology Equipment
Australia/New Zealand	AS/NZS 3548, Class B Limit
Japan	VCCI Class B ITE (CISPR 22, Class A Limit).
Taiwan	BSMI, Class B (CISPR 22)
Korea	RRL, Class B (CISPR 22)
Russia	Gost Approval
International	CISPR 22, Class B Limit

11.3 Electromagnetic Compatibility Notices (SRMK2S)

11.3.1 Japan

この装置は、情報処理装置等電波障害自主規制協議会（VCCI）の基準に基づくクラス A 情報技術装置です。この装置を家庭環境で使用すると電波妨害を引き起こすことがあります。この場合には使用者が適切な対策を講ずるよう要求されることがあります。

English translation of the notice above:

This is a Class A product based on the standard of the Voluntary Control Council for Interference by Information Technology Equipment (VCCI). If this equipment is used in a domestic environment, radio disturbance may arise. When such trouble occurs, the user may be required to take corrective actions.

11.3.2 Canada

Cet appareil numérique respecte les limites bruits radioélectriques applicables aux appareils numériques de Classe A prescrites dans la norme sur le matériel brouilleur: “Appareils Numériques”, NMB-003 édictée par le Ministre Canadien des Communications.

English translation of the notice above:

This digital apparatus does not exceed the Class A limits for radio noise emissions from digital apparatus set out in the interference-causing equipment standard entitled “Digital Apparatus,” ICES-003 of the Canadian Department of Communications.

11.3.3 FCC/emissions disclaimer – Class A (USA)

This equipment has been tested and found to comply with the limits for a Class A digital device, pursuant to Part 15 of the FCC Rules. These limits are designed to provide reasonable protection against harmful interference when the equipment is operating in a commercial environment. This equipment generates, uses, and can radiate radio frequency energy and, if not installed and used in accordance with the instructions, may cause harmful interference to radio communications.

Operation of this equipment in a residential area is likely to cause harmful interference. In this case, the user is required to correct the interference at their own expense. If this equipment does cause harmful interference to radio or television reception, which can be determined by turning the equipment off and on; the user is encouraged to try to correct the interference by one or more of the following measures:

- Reorient or relocate the receiving antenna.
- Increase the separation between the equipment and the receiver.
- Connect the equipment into an outlet on a circuit different from that to which the receiver is connected.
- Consult the dealer or an experienced radio/TV technician for help.

Any changes or modifications not expressly approved by the grantee of this device could void the user’s authority to operate the equipment. The customer is responsible for ensuring compliance of the modified product.

Only peripherals (computer input/output devices, terminals, printers, etc.) that comply with FCC Class A limits may be attached to this computer product. Operation with non-compliant peripherals is likely to result in interference to radio and TV reception.

All cables used to connect to peripherals must be shielded and grounded. Operation with cables, connected to peripherals that are not shielded and grounded may result in interference to radio and TV reception.

11.3.4 Taiwan (BSMI)

The BSMI Certification number and the following warning is located on the product safety label which is located visibly on the external chassis.

警告使用者：
這是甲類的資訊產品，在居住的環境中使用時，
可能會造成射頻干擾，在這種情況下，使用者會
被要求採取某些適當的對策。

11.4 Electromagnetic Compatibility Notices (SRMK2D)

11.4.1 Japan

この装置は、情報処理装置等電波障害自主規制協議会（VCCI）の基準に基づくクラスB情報技術装置です。この装置は、家庭環境で使用することを目的としていますが、この装置がラジオやテレビジョン受信機に近接して使用されると、受信障害を引き起こすことがあります。
取扱説明書に従って正しい取り扱いをして下さい。

English translation of the notice above:

This is a Class B product based on the standard of the Voluntary Control Council for Interference by Information Technology Equipment (VCCI). If this is used near a radio or television receiver in a domestic environment, it may cause radio interference. Install and use the equipment according to the instruction manual.

11.4.2 Canada

Cet appareil numérique respecte les limites bruits radioélectriques applicables aux appareils numériques de Classe B prescrites dans la norme sur le matériel brouilleur: “Appareils Numériques”, NMB-003 édictée par le Ministre Canadien des Communications.

English translation of the notice above:

This digital apparatus does not exceed the Class B limits for radio noise emissions from digital apparatus set out in the interference-causing equipment standard entitled “Digital Apparatus,” ICES-003 of the Canadian Department of Communications.

11.4.3 FCC/emissions disclaimer – class B (USA)

This equipment has been tested and found to comply with the limits for a Class B digital device, pursuant to Part 15 of the FCC Rules. These limits are designed to provide reasonable protection against harmful interference in a residential installation. This equipment generates, uses, and can radiate radio frequency energy and, if not installed and used in accordance with the instructions, may cause harmful interference to radio communications. However, there is no guarantee that interference will not occur in a particular installation. If this equipment does cause harmful interference to radio or television reception, which can be determined by turning the equipment off

and on; the user is encouraged to try to correct the interference by one or more of the following measures:

- Reorient or relocate the receiving antenna.
- Increase the separation between the equipment and the receiver.
- Connect the equipment into an outlet on a circuit different from that to which the receiver is connected.
- Consult the dealer or an experienced radio/TV technician for help.

Any changes or modifications not expressly approved by the grantee of this device could void the user's authority to operate the equipment. The customer is responsible for ensuring compliance of the modified product.

Only peripherals (computer input/output devices, terminals, printers, etc.) that comply with FCC Class B limits may be attached to this computer product. Operation with non-compliant peripherals is likely to result in interference to radio and TV reception.

All cables used to connect to peripherals must be shielded and grounded. Operation with cables, connected to peripherals that are not shielded and grounded may result in interference to radio and TV reception.

⇒ **NOTE**

If a Class A device is installed within this system, then the system is to be considered a Class A system. In this configuration, operation of this equipment in a residential area is likely to cause harmful interference.

11.5 FCC Declaration of conformity

11.5.1 SRMK2D

This device complies with Part 15 of the FCC Rules. Operation is subject to the following two conditions: (1) This device may not cause harmful interference, and (2) this device must accept any interference received, including interference that may cause undesired operation.

For questions related to the EMC performance of this product, contact:

Intel Corporation
100 Center Point Circle
Columbia, SC 29210

Phone: 1 (800)-INTEL4U or 1 (800) 628-8686

11.5.2 Taiwan (BSMI)

The following BSMI Class B EMC Warning along with the BSMI ID number is located on the external left side chassis of the product.

警告使用者：
這是甲類的資訊產品，在居住的環境中使用時，可能會造成射頻干擾，在這種情況下，使用者會被要求採取某些適當的對策。

11.6 Mandatory / Standard: Certifications, Registration, Declarations

- UL, cUL Listing
- German GS Mark
- Nordic Certification
- FCC Declaration of Conformity
- CE Mark Declaration of Conformity
- VCCI Certification
- Industry Canada Certification
- Australia Communications Authority Declaration of Conformity

11.7 Environmental Limits

11.7.1.1 System Office Environment

Table 77: System office environment summary

Operating Temperature	+10°C to +35°C De-rated 0.5°C/1000ft. Altitude to 10,000 ft. max. Maximum rate of change of 10°C per hour.
Non-Operating Temperature	-40°C to +70°C
Non-operating Humidity	95%, non-condensing @ 30°C
Acoustic noise	< 6.8 Bel, 8 Weighted Sound Power (ISO 7779 Test Procedure)
Operating Shock	No errors with a half sine wave shock of 2G (with 11-millisecond duration).
Package Shock	Operational after a 24-inch free fall, although cosmetic damage may be present
ESD	15kV per Intel Environmental test specification

11.7.1.2 System Environment Testing

The system was tested per the Environmental & Reliability Board and System Validation Test Handbook, Intel Doc. #662394 Rev-04.

These tests include:

- Temperature Operating and Non-Operating
- Humidity Non-Operating
- Shock Packaged and Un-packaged
- Vibration Packaged and Un-packaged
- AC Voltage, Freq. & Source Interrupt
- AC Surge
- Acoustics
- ESD

12 Reliability and Serviceability

12.1 Reliability

Based on a typical configuration, as listed in Table 78, the system's Mean-Time-Between-Failure (MTBF) as shipped from the factory was calculated to be approximately 39,278 hours (Approximately 4.5 years).

Table 78: MTBF summary

Component	Qty	MTBF (hrs)
Fan	9	500,000
200W power supply	1	200,000
SRMK2 serverboard	1	670,000
Pentium® III processor	2	4,000,000
Front panel	1	7,000,000
Slim-line CD-ROM drive (1% duty cycle)	1	14,100,000
Slim-line floppy drive (1% duty cycle)	1	18,200,000
Memory (256MB)	4	24,100,000*
PCI I/O riser card	1	55,800,000
		39,278 hrs

12.2 Serviceability

The desired Mean-Time-To-Repair (MTTR) of the system is approximately less than 30 minutes including diagnosis of the system problem. To meet this goal, the system enclosure and hardware have been designed to minimize the MTTR.

Following are the maximum times that a trained field service technician should take to perform the listed system maintenance procedures, after diagnosis of the system.

Table 79: MTTR summary

Action	Approx. Time (min)
Remove top cover	0.20
Remove and replace SCSI disk drives	1
Remove and replace slim-line CD-ROM	5
Remove and replace power supply	3
Remove and replace fans	8
Remove and replace riser card	1
Remove and replace front panel board	2
Remove and replace serverboard (with CPU, memory, riser card installed)	6
Remove and replace DIMMs	1
Remove and replace processor	1

13 Compatibility Testing

At the time of this writing, validation of the SRMK2 Internet Server with third-party operating systems and hardware has not been completed. Please visit <http://www.intel.com/isp> to find an up-to-date compatibility test report.

14 Specifications and Customer Support

14.1 Online Support

Find the latest information on the Intel® SRMK2 Internet Server online at Intel's site at <http://www.intel.com/isp> or <http://support.intel.com>.

14.2 Specifications

Table 80 lists the specifications mentioned in this document.

Table 80: Specification references

Specification	Description	Revision Level
ACPI	Advanced Configuration and Power Interface Specification	Revision 1.0b, February 8, 1999. Intel Corporation, Microsoft Corporation, and Toshiba Corporation. http://www.teleport.com/~acpi
AMI BIOS	American Megatrends BIOS Specification	AMIBIOS 98. http://www.amibios.com
APM	Advanced Power Management BIOS Interface Specification	Revision 1.2, February 1996. Intel Corporation and Microsoft Corporation http://www.microsoft.com/hwdev/busbios/amp_12.htm
ATA-3	Information Technology – AT Attachment-3 Interface	X3T10/2008D Revision 6, October 25, 1995. ftp://fission.dt.wdc.com/pub/standards
ATAPI	ATA Packet Interface for CD-ROMs	SFF-8020i Revision 2.5. (SFF) Fax Access: (408) 741-1600
ATX	ATX Form Factor Specification	Revision 2.03, December 1998. Intel Corporation http://www.teleport.com/~ffsupprt/spec/atxspeccs.htm
BIOS Boot Specification	BIOS Boot Specification (BBS)	Version 1.01, January 11, 1996. Compaq Computer Corporation, Intel Corporation, and Phoenix Technologies Ltd. ftp://download.intel.com/ial/bbs101.pdf
DMTF Systems Standard Groups Definition	DMTF Systems Standard Groups Definition	http://www.dmtf.org/spec/dmis.html .
EI Torito	Bootable CD-ROM Format Specification	Version 1.0, January 25, 1995. Phoenix Technologies Ltd. and IBM Corporation http://www.phoenix.com/products/specs.html
Heceta 3	Heceta 3 ASCII – Low Cost Hardware Monitor	Revision 1.03, December 30, 1997. Intel Corporation http://developer.intel.com/ial/wfm/wfm20/design/bibliog.htm
ServerWorks® ServerSet III LE Chipset	North Bridge Chipset	http://www.serverworks.com/home.html

ServerWorks® OSB4 Chipset	South Bridge Chipset	http://www.serverworks.com/home.html
Intel 82559 Ethernet Controller	Intel Fast Ethernet Multifunction PCI/Cardbus Controller	Revision 2.0, May 1999. Intel Corporation ftp://download.intel.com/design/network/datashts/73825902.pdf
Intel E28F008S585 Flash	Intel E28F008S585 Flash	Intel Corporation http://developer.intel.com/design/flash/
Intel® Pentium® III Processor	Intel® Pentium® III Processor	Intel Corporation http://developer.intel.com/design/processor/
IrDA	Serial Infrared Physical Layer Link Specifications	Infrared Data Association http://www.irda.org/standards/specifications.asp
Low -Profile PCI	Low -Profile PCI Specification	PCI Special Interest Group http://www.pcisig.com
microATX	microATX Serverboard Interface Specification	Version 1.0, December 1997. Intel Corporation http://www.teleport.com/~ffsupprt/spec/microatxspecs.htm
PC99 Design Guide	PC99 Design Guide	Version 1.0, July 14, 1999. Microsoft Corporation, Intel Corporation, Compaq Computer Corporation, Dell Corporation, Gateway, Inc., and Hewlett-Packard Company http://www.microsoft.com/hwdev/pc99.htm .
PCI	PCI Local Bus Specification	Revision 2.2, December 18, 1998. PCI Special Interest Group Revision 1.1, December 18, 1998. PCI Special Interest Group http://www.pcisig.com
Intel® Pentium® Pro BIOS Writer's Guide	Intel® Pentium® Pro BIOS Writer's Guide	Intel Corporation Call 1-800-548-4725
Plug and Play	Plug and Play BIOS Specification	Version 1.0a, May 5, 1994. Compaq Computer Corporation, Phoenix Technologies Ltd., and Intel Corporation http://www.microsoft.com/hwdev/respec/pnpspecs.htm
POST Memory Manager	POST Memory Manager (PMM)	Version 1.01, November 21, 1997. Phoenix Technologies Ltd. and Intel Corporation http://www.ptltd.com/products/specs-pmm101.pdf .
PXE	Preboot Execution Environment (PXE) Specification	Version 2.1, September 20, 1999. Intel Corporation and SystemSoft Corporation http://developer.intel.com/ial/wfm/wfmspecs.htm
PXE BIOS Support	Preboot Execution Environment (PXE) BIOS Support	Revision 1.1, June 9, 1997. Intel Corporation ftp://download.intel.com/ial/wfm/lisa-wp.pdf
SDRAM DIMMs (64 and 72-bit)	PC SDRAM DIMM Specification PC100 Registered	Revision 1.63, October 1998.

	DIMM Specification PC Serial Presence Detect (SPD) Specification	Revision 1.2, October 1998. Revision 1.2a, December 1997, Intel Corporation http://developer.intel.com/design/chipsets/memory/
SMBIOS	System Management BIOS Reference Specification	Version 2.3.1, March 16, 1999. American Megatrends Inc., Award Software International Inc., Compaq Computer Corporation, Hewlett-Packard Company, Intel Corporation, IBM Corporation, Phoenix Technologies Ltd., and SystemSoft Corporation http://developer.intel.com/ial/wfm/design/smbios/
SMSC FDC37B782	FDC37B78x PC98/99 Compliant Enhanced Super I/O Controller with ACPI Support, Real Time Clock and Consumer IR	Standard Microsystems Corporation http://www.smsc.com/main/datasheet.html
UHCI	Universal Host Controller Interface (UHCI) Design Guide	Revision 1.1, March 1996. Intel Corporation http://www.usb.org/developers/docs.html
USB	Universal Serial Bus Specification	Revision 1.1, September 23, 1998. Compaq Computer Corporation, Intel Corporation, Microsoft Corporation, and NEC Corporation http://www.usb.org/developers/docs.html

Appendix A

BIOS Console Commands

All typed commands sent to the BIOS Console will be echoed on the display. The BIOS Console formats all output as 8-bit ASCII text. All input and output values are decimal except where noted. Each command is terminated with an ASCII carriage return <CR>. Command parameters are separated by ASCII spaces and as a result of this, spaces are not allowed when typing command strings into the BIOS Console. The BIOS console will support double-quoting to delimit strings that need spaces.

The BIOS console supports the following commands. Each command is described in detail in the sections below.

Table 81: BIOS Console Commands

ClearScreen	PutSerialConfig	PutPagerStr
ReadFRU	GetBiosControl	GetStaticIP
ReadSEL	PutBiosControl	GetStaticMask
Reboot	GetServiceID	GetAlertIP
GetBootCount	GetModemStr	GetAlertMask
GetLastState	PutModemStr	GetChecksum
GetLastSensor	GetPagerNum	EnablePassword
GetReasonCode	PutPagerNum	ChangePassword
GetSerialConfig	GetPagerStr	DisablePassword

ClearScreen - After typing this command into the BIOS Console the display will clear.

ReadFRU - This command will return the entire SMBIOS data structure which contains all FRU information. All output for this command will be hexadecimal bytes. See the System Management BIOS Reference Specification, Version 2.3 for the format of FRU fields.

ReadSEL - This command will return a range of system event log (SEL) entries defined by:
ReadSEL <X> <Y>
<X> is the index of the first SEL entry in the range with 0 defined as the most recent entry.
<Y> is the index of the last SEL entry in the range that you which to view.

All output for this command will be hexadecimal bytes. An example of the ReadSEL command is shown in Figure 1 below. Note that to read the entire SEL, <X> should be set to 0 and <Y> should be set to a large number.

```

08 10 99 02 27 07 41 30 00 02 00 00 00 00 00
08 10 99 02 26 05 34 11 00 02 00 00 00 00 00

>ReadSEL 0 1

```

Figure 23: ReadSEL Example

Reboot -The BIOS console will reboot the system. During reboot, the BIOS will examine *BIOSControl* to determine if any special action is required such as powering off the system or booting the service partition.

CMOS/NVRAM commands

GetBootCount

The number of times the OS has tried to boot

GetLastState

This represents the last known state of the system. Possible values are:

- | | | |
|---|-------------------|---|
| 0 | Unknown (default) | |
| 1 | POST | Machine is in POST |
| 2 | Emergency Mode | BIOS emergency mode (console redirection) |
| 3 | OS Booting | Bootstrap about to be loaded |
| 4 | OS Initializing | OS booted and started running |
| 5 | OS Running | OS fully up |
| 6 | OS Going Down | OS starting graceful shut down |
| 7 | OS Down | OS mostly shutdown (All but essential processes and services) |

GetLastSensor

This code represents the last known state of the sensors as monitored by either OS instrumentation software and/or the BIOS. Possible values are:

- 0 Unknown (default)
- 1 Normal

- 2 Sensor Threshold Non-Critical
- 3 Sensor Threshold Critical
- 4 Power Lost

GetReasonCode

This code represents the reason why the OS went down if known. Only applicable if Last Known State is **OS Going Down** or **OS Down**. Possible values are:

- 0 Unknown or N/A (default)
- 1 User-requested reboot
- 2 User-requested shutdown
- 3 Automatic reboot
- 4 Automatic shutdown

GetSerialConfig

PutSerialConfig <Port> <Rate> <Flow> <Parity> <Data> <Stop> <Dial> <Connect>

These codes represent the direct serial or modem configuration.

Port is a value representing the COM port to be assigned to the serial or modem link:

- 0 Disabled
- 1 COM1
- 2 COM2
- 3 COM3 (default)

Rate is a value representing the speed of serial communication in bits per second:

- 0 9600 bits/second
- 1 19200 bits/second (default)
- 2 38400 bits/second
- 3 115200 bits/second

Flow is a value representing flow control:

- 0 None
- 1 CTS/RTS
- 2 XON/XOFF
- 3 CTS/RTS + CD (default)

Parity is a value representing port parity:

- 0 None (default)
- 1 Odd
- 2 Even
- 3 Reserved

Data is a value representing the number of data bits:

- 0 7 data bits
- 1 8 data bits (default)

Stop is a value representing the number of stop bits:

- 0 1 stop bit (default)
- 1 2 stop bits

Dial is a value representing the dialing option:

- 0 Tone (default)
- 1 Pulse

Connect is a value representing the connection mode:

- 0 Modem (default)
- 1 Direct connect

An example of this command is presented in figure 2 below.

```

3 1 3 0 1 0 0 0

>GetSerialConfig

```

Figure 24: GetSerialConfig example

GetBIOSControl

PutBIOSControl <Value>

This value directs the BIOS to enable/disable various fail-safe BIOS features. *Value* is defined as a bit field as follows:

- Bit 0 Power-off (1 = power-off next boot, self-clearing)
- Bit 1 Service Partition Boot (1 = boot service partition on next boot, self-clearing)
- Bit 2 LAN Alerts Enable
- Bit 3 Paging Enable
- Bit 4 Console Redirection Enable
- Bit 5 Pager Control (1 = page out on next boot, self-clearing)

Value is a decimal number. The default is 16.

GetServiceID

This code is the partition ID that the BIOS will search for and boot to when going into service partition mode.

GetModemStr

PutModemStr <Initialization String>

Initialization String is an AT/Hayes Compatible string to send to the modem when paging or if Emergency Console connection mode is set to modem. Length is not to exceed 64 bytes and spaces are not allowed.

GetPagerNum

PutPagerNum <Pager Number String>

Pager Number String is a string representing the phone number that the BIOS uses to page in case of emergency. Length is not to exceed 64 bytes and spaces are not allowed. An example of this command is shown in figure 3 below.



Figure 25: PutPagerNum example

GetPagerStr

PutPagerStr <*Pager String*>

Pager String is a string that the BIOS sends once the pager number has been dialed and a connection has been established. Length is not to exceed 64 bytes and spaces are not allowed.

GetStaticIP

This is a string that represents the “dotted” IP address that should be used for the LAN-based version of the BIOS Emergency Console. (i.e. 111.111.111.111) This string must be comprised of four 3-digit decimal values separated by periods. This address should be in the same subnet as the management console since a default gateway is not stored.

GetStaticMask

This is a string that represents the “dotted” IP subnet mask that should be used for the static IP address. This string must be comprised of four 3-digit decimal values separated by periods.

GetAlertIP

This is a string that represents the “dotted” IP address that should be used as the target for LAN alerts. (i.e. 111.111.111.111) This string must be comprised of four 3-digit decimal values separated by periods. This address should be in the same subnet as the management console since a default gateway is not stored.

GetAlertMask

This is a string that represents the “dotted” IP subnet mask that should be used for the alert IP address. This string must be comprised of four 3-digit decimal values separated by periods.

Password commands

EnablePassword <New Password> <Verification Password>

This command enables the password for access to the BIOS console. The *New Password* and the *Verification Password* must be identical to enable the password. Maximum password length is 20 characters and spaces are not allowed.

ChangePassword <Old Password> <New Password> <Verification Password>

This command changes the password for access to the BIOS console. The *Old Password* must be identical to the current enabled password and the *New Password* and *Verification Password* must match to change the password. Maximum password length is 20 characters and spaces are not allowed.

DisablePassword <Old Password>

This command disables the password for access to the BIOS console. The *Old Password* must be identical to the current enabled password to disable it. Maximum password length is 20 characters and spaces are not allowed.

Help command

Help - This command will display the list of supported command with respective usage and a brief description.

BIOS Console input/output formats

The BIOS Console will prompt for input on the command line at the bottom of the display. The command line will be displayed in reverse video.

It will then accept input from the keyboard and echo all keystrokes to the display. Input cannot exceed a single 80-character line of text including the command prompt. The keyboard and video display will be redirected across a serial, modem, or LAN line. Commands are always terminated by an ASCII carriage return <CR>. Output for each command, if defined, will occur starting on the first line of the display and scrolling downward until the last output line is reached. At this point, the user will be prompted on the last output line for a <CR> (Enter key) to continue as shown in figure 5. After receiving the carriage return, the output screen is cleared and output continues from the top of the display.


```
00 00 00 00 00 00 00 00 00 00 00 00 00 00 00 00
00 00 00 00 00 00 00 00 00 00 00 00 00 00 00 00
00 00 00 00 00 00 00 00 00 00 00 00 00 00 00 00
00 00 00 00 00 00 00 00 00 00 00 00 00 00 00 00
00 00 00 00 00 00 00 00 00 00 00 00 00 00 00 00
00 00 00 00 00 00 00 00 00 00 00 00 00 00 00 00
00 00 00 00 00 00 00 00 00 00 00 00 00 00 00 00
00 00 00 00 00 00 00 00 00 00 00 00 00 00 00 00
00 00 00 00 00 00 00 00 00 00 00 00 00 00 00 00
00 00 00 00 00 00 00 00 00 00 00 00 00 00 00 00
00 00 00 00 00 00 00 00 00 00 00 00 00 00 00 00
00 00 00 00 00 00 00 00 00 00 00 00 00 00 00 00
00 00 00 00 00 00 00 00 00 00 00 00 00 00 00 00
00 00 00 00 00 00 00 00 00 00 00 00 00 00 00 00
00 00 00 00 00 00 00 00 00 00 00 00 00 00 00 00
Press <Enter> to continue...
```

Figure 26: Full output screen

Output will be formatted as strings, decimal values, or hexadecimal values. Output values are always separated by a single space. Spaces are not allowed in strings. The response to incorrect commands is always Error as shown in figure 6.

```
Error

>Clear Screen
```

Figure 27: Error example

Security

The BIOS Console can be password-protected to prevent unauthorized use. If a password is set, the BIOS Console will prompt for it before allowing the user to proceed.

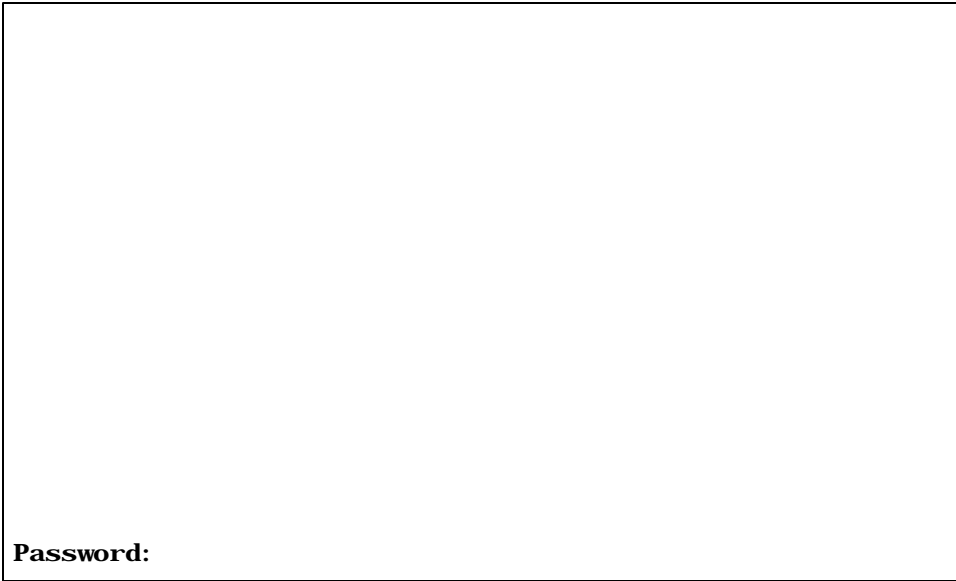


Figure 28: Password prompt

The password will not be echoed on the display as it is entered. If the correct password is entered, the standard prompt will be displayed and operation proceeds normally. If an incorrect password is entered, an error message is displayed followed by the password prompt.

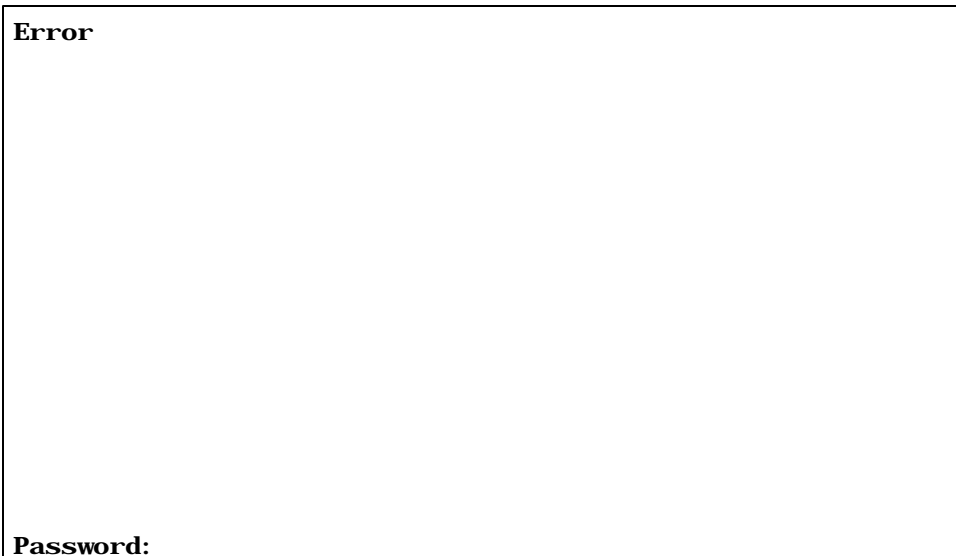


Figure 29: Incorrect password

