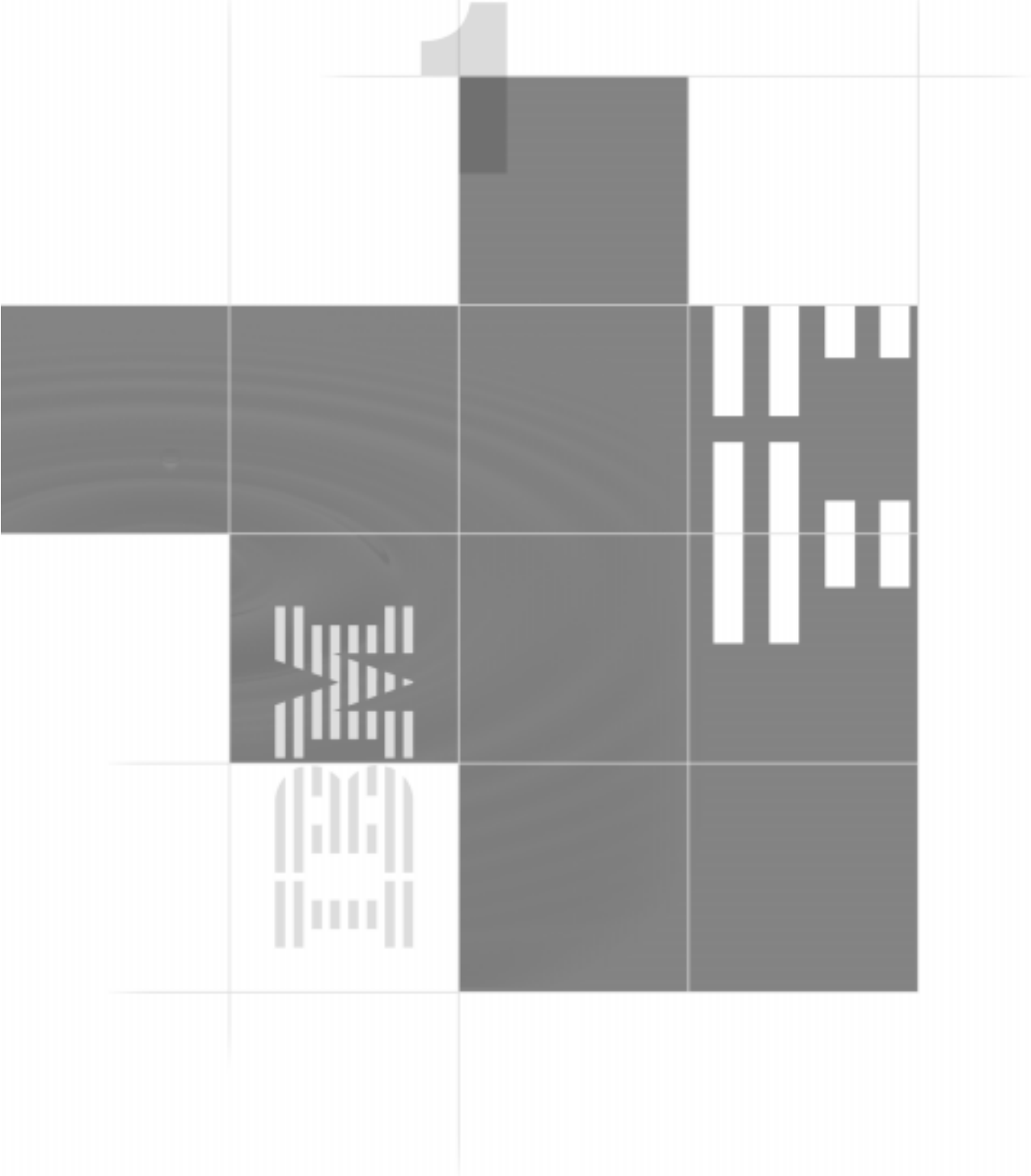


# IBM Aptiva Combination Sound and Modem Card Uninstall Guide



**Note:** If your Aptiva computer has a combination sound and modem card, you may use these instructions to help you remove the combination card. The combination sound and modem card must be replaced with a new modem card **and** a new sound card to retain the same function as the combination sound and modem card. If your computer does not have a combination sound and modem card, these instructions do not apply to your computer.

## **First Edition May 1998**

**The following paragraph does not apply to any state or country where such provisions are inconsistent with local law:**

INTERNATIONAL BUSINESS MACHINES CORPORATION PROVIDES THIS PUBLICATION "AS IS" WITHOUT WARRANTY OF ANY KIND, EITHER EXPRESS OR IMPLIED, INCLUDING, BUT NOT LIMITED TO, THE IMPLIED WARRANTIES OF MERCHANTABILITY OR FITNESS FOR A PARTICULAR PURPOSE. References to IBM products, programs, or services do not imply that IBM intends to make them available outside the United States.

This publication could contain technical inaccuracies or typographical errors. Changes are periodically made to the information herein; these changes will be made in later editions. IBM may make improvements and/or changes in the product(s) and/or program(s) at any time.

Address comments about this publication to IBM HelpCenter – Aptiva PC, IBM Corporation, 3039 Cornwallis Rd., Dept. BM1/203, Research Triangle Park, NC 27709-2195 USA. Information you supply may be used by IBM without obligation.

© **Copyright International Business Machines Corporation 1998. All rights reserved.**

Note to U.S. Government Users – Documentation related to restricted rights – Use, duplication or disclosure is subject to restrictions set forth in GSA ADP Schedule Contract with IBM Corp.

---

## Table of Contents

iii	Table of Contents
v	Notices
vi	Purpose
vi	System Recovery
vi	Using the Emergency Recovery Utility
vii	Unsupported functions and applications
ix	Frequently Asked Questions
ix	Warranty and Technical Support
ix	Conventions used in this book
1	Getting Started
2	Preparing to remove the Mwave drivers and card
3	Removing the Mwave drivers
5	Removing the Mwave card
9	Notes for installing replacement sound and modem cards
11	Changing software settings
15	Emergency Recovery Utility
18	Index



---

## Notices

References in this publication to IBM products, programs, or services do not imply that IBM intends to make these available in all countries in which IBM operates. Any reference to an IBM product, program, or service is not intended to state or imply that only IBM's product, program, or service may be used. Any functionally equivalent product, program, or service that does not infringe any of IBM's intellectual property rights may be used instead of the IBM product, program, or service. Evaluation and verification of operation in conjunction with other products, except those expressly designated by IBM, are the user's responsibility.

IBM may have patents or pending patent applications covering subject matter in this document. The furnishing of this document does not give you any license to these patents. You can send license inquiries, in writing, to the IBM Director of Licensing, IBM Corporation, 500 Columbus Avenue, Thornwood, NY 10594.

### Trademarks

The following terms are trademarks or registered trademarks of the IBM Corporation in the United States or other countries or both:

- Aptiva
- IBM
- Mwave
- OS/2

Other company, product, and service names may be trademarks or service marks of others.

Microsoft, Windows, and the Windows 95 logo are trademarks or registered trademarks of Microsoft Corporation.

---

## Purpose

These instructions are intended to help you remove your combination sound and modem card. It must be replaced with a **new** modem card and a new sound card to retain the audio and modem functions of the combination sound and modem card. If your computer does not have a combination sound and modem card, these instructions do not apply to your computer.

---

## System Recovery

In some cases, you may need to use the Recovery CD-ROM that comes with your computer. If you need to reload the hard disk drive with the original software configuration and you have not created the Emergency Recovery Disk, you will need to re-install the combination sound and modem card before you begin the process. Re-installing the combination sound and modem card before the recovery process will reduce the number of errors your computer will have while restoring the software.

---

## Using the Emergency Recovery Utility

After you have installed the new sound and modem card drivers, you should create an Emergency Recovery Diskette by using the Emergency Recovery Utility to save critical configuration and system files. See "Emergency Recovery Utility" on page 15. These files are necessary if you ever recover your system using the Recovery CD. In this event, you will need to boot your system with the Emergency Recovery disk in the floppy drive. This prevents you from having to install and uninstall the Mwave card.

---

## Unsupported functions and applications

After you remove the combination sound and modem card and its drivers, certain factory installed functions or applications designed specially for your combination sound and modem card will no longer operate. The following tables identify those applications or functions.

If you cannot locate the model number of your computer, see "To find the model number:" on page 2.

For the latest up-to-date information about your Aptiva computer, go to the World Wide Web at:

<http://www.pc.ibm.com/support/>

**Note:** The address is case sensitive. Type it exactly as shown here.

## Unsupported applications in your Mxx model personal computer

### Unsupported Applications

---

Aptiva FAX Center

---

Aptiva Operator

---

Audio Station

---

Country Select

---

IBM Internet Connection

---

Rapid Resume

---

Scheduler

---

Suspend from Windows  
95 Start menu

---

Quicken Special Edition  
Financial Network

---

Video CD Player

---

Wake Up on Ring

---

Silent Steel

---

To the Moon - Flight of  
the Dream Team



---

## Frequently Asked Questions

For the latest FAQ information, go to the World Wide Web at:

<http://www.pc.ibm.com/support/>

Then, follow these steps:

- 1 Click on "support search" on the left of the page.
- 2 Type in pmys-3trth in the search field to search for the FAQ document.

**Note:** The address is case sensitive. Type it exactly as shown here.

---

## Warranty and Technical Support

**Warranty.** Please refer to the documentation included with your new modem and/or sound card for warranty and technical support information.

---

## Conventions used in this book

### Mouse Clicking

Follow the mouse clicking instructions exactly as they are written in this book.

When you see...	it means...
Click	Click once with the left mouse button.
Double-click	Rapidly click twice with the left mouse button.
Right-click	Click once with the right mouse button.

## Highlighting

There are several ways that text is highlighted in this book. Each highlighting convention has a specific purpose.

Highlight	Purpose
<b>Bold</b>	Bold font is used to identify items on the screen which you should click or double-click. Bold font is also used in headings, table titles, and numbered lists.
Example	Example font is used to show text that you need to type from your keyboard.
<i>Italic</i>	Italic font is used to show proper names of programs or books. Italic font is also used in table footnotes and sidenotes.
" Quotes "	Quotation marks are used to identify window, screen, and heading names.
<u>Underline</u>	Underline font is used to call special emphasis to a particular word or instruction.

---

## Getting Started



### Note

*To ensure proper setup, follow the instructions in the order they are written.*

### **A word before you begin...**

Make sure you have the following items:

- *Technical Update CD* package , IBM part number 10H2856
- A flat head screwdriver (not included)
- A pen or pencil

This document will guide you through the complete process of:

- 1 Preparing to remove the Mwave drivers and the card
- 2 Removing the Mwave drivers and the card
- 3 Changing software settings.

To ensure proper setup, follow the instructions in the order they are written.

---

## Preparing to remove the Mwave drivers and card

Before you remove the drivers and card, you must identify the model number of your computer.

### **To find the model number:**

Locate the sticker that shows the model number of your computer.

- On a desktop or minitower system unit, you can find the sticker behind the drop down door on the front of the system unit.
- On a split system (with a minitower and media console), you can find the sticker beneath the handle on the minitower.

When you find the model number, write it here for easy reference:

\_\_\_\_\_

The rest of the instructions in this book will refer to generic model numbers. For example, if your model number is 2134-M70, the instructions that apply are marked " ...model Mxx computer" .

---

## Removing the Mwave drivers

To remove the drivers, follow these instructions:

- 1 While the computer is turned on, close all open programs.
- 2 Place the *Technical Update CD* into the CD-ROM drive.

**NOTE:** If the "Technical Update CD program" starts automatically (usually within a minute), click **Close**. Go to step 3.

If you see an error message that says, "This Service CD does not support your Aptiva model...", click **OK**. This message does not apply to this procedure.

- 3 From the Windows 95 "Start" button, click **Run...**
- 4 When the "Run" dialogue box appears, click **Browse**.
- 5 Double-click **My Computer**.
- 6 Double-click the CD-ROM drive.
- 7 Double-click the **Updates** directory.
- 8 Double-click the **Mwavedr** directory.
- 9 Double-click **Setup**.



### Note

*You should make a backup copy of any personal files you have placed in the "Mwave\_c", "Mwd", and "Mww" directories.*

- 10 From the "Run" dialogue box, click **OK**.
- 11 The "Modem & Audio Installation" dialogue box asking if you want to continue will appear. Click **Yes**.
- 12 Another "Modem & Audio Installation" dialogue box will appear.

If you have any personal files in the "Mwave\_c", "Mwd", and "Mww" directories (or their subdirectories), you should click **No**, backup your personal files, and restart these steps.

If you have no personal files in the directories, click **Yes**.

- 13 The Windows 95 Operator Agent "Information" dialogue box might appear. If it appears, read the message, click **OK**, and go to the next step. If it does not appear, go to the next step.
- 14 The "Information" dialogue box telling you that "Install needs to restart Windows..." will appear. Click **OK**.

Wait while the computer restarts. It may take several minutes before the next "Information" dialogue box appears.

- 15 The "Information" dialogue box saying that the software has been removed will appear.

Remove the CD-ROM from the CD-ROM drive.

Read the message and click **OK**.

- 16 The "Modem & Audio Installation" dialogue box asking if you are going to remove the Mwave adapter card will appear. Click **Yes**.

**NOTE:** Do not press Enter. You must click on the **Yes** button.

- 17 The Windows 95 shutdown "Information" dialogue box will appear. Click **OK**.

- 18 Use the Windows 95 Start button to shutdown the computer.

- 19 Follow the instructions in "Removing the Mwave card" on page 5.

---

## Removing the Mwave card



### Danger!

*Electrical current from power, telephone, and communications cables is hazardous. To avoid shock hazard, use the steps described in this section to disconnect the cables when installing, moving, or opening the cover of this product.*

*To avoid shock hazard, do not connect or disconnect any cables or perform installation, maintenance, or reconfiguration of this product during an electrical storm.*

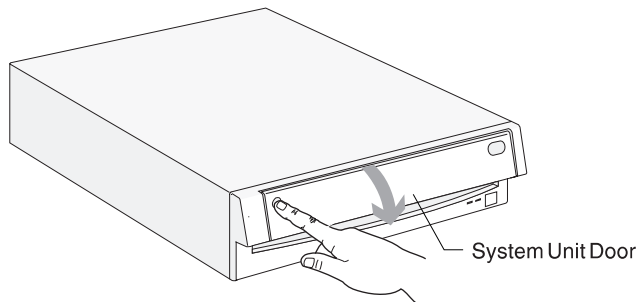
Before you make any changes to hardware in your computer, you must turn off and unplug the computer.

### To disconnect the system unit:

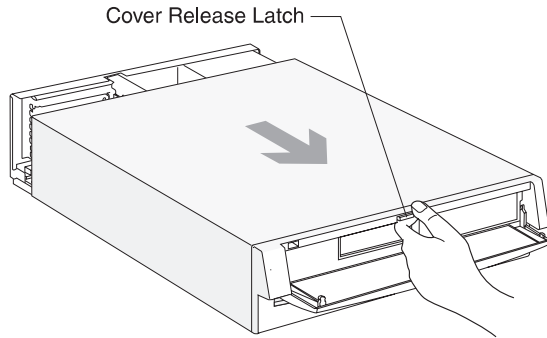
- 1 Shut down all programs and turn off the computer.
- 2 Turn off any attached component that has its own power switch.
- 3 Unplug all power cables from electrical outlets.
- 4 Remove all signal cables (such as the telephone cable) from their receptacles.
- 5 Disconnect all cables attached to the computer; this includes power cords, input/output cables, and any other cables attached to the computer.

### If you have a desktop system unit:

- 1 Follow the instructions in "To disconnect the system unit:" above.
- 2 Remove the system unit cover. The cover on the desktop system slides along grooves that run along the sides of the frame. Follow these steps:
  - a Press on the corner of the system unit door to open it.



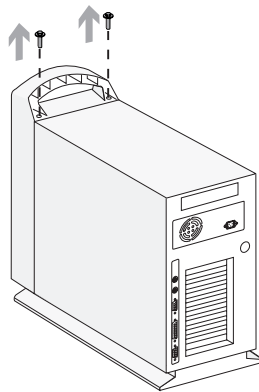
- b** Press up on the cover release latch and slide the cover off completely.



- 3** Touch the bare metal frame of your system unit to dissipate the static electricity from your body. Do not touch any of the components inside the frame before you touch the frame. Do not touch any component with a voltage warning label.

**If you have a minitower system unit:**

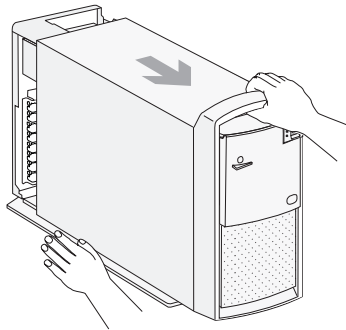
- 1** Follow the instructions "To disconnect the system unit:" on page 5.
- 2** Remove the system unit cover. The cover on the minitower system slides along grooves that run along the sides of the frame. Follow these steps:
  - a** Remove the screws.



(Back View)



- b** Slide the cover forward and completely remove it from the system unit.



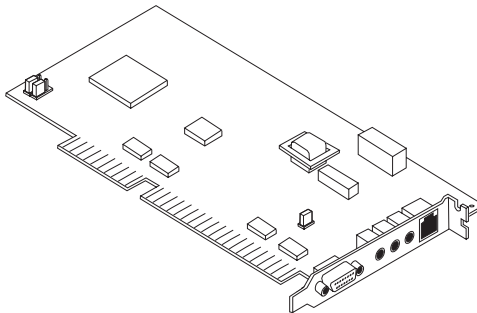
(Front View)

- 3** Touch the bare metal frame of your system unit to dissipate the static electricity from your body. Do not touch any of the components inside the frame before you touch the frame. Do not touch any component with a voltage warning label.

### To remove the Mwave card:

When you have completed the steps to disconnect the computer and remove the cover, you can remove the Mwave card. Follow these steps:

- 1** Locate the Mwave card, which looks like this:



- 2** Carefully disconnect the two cables that may be connected to the card.

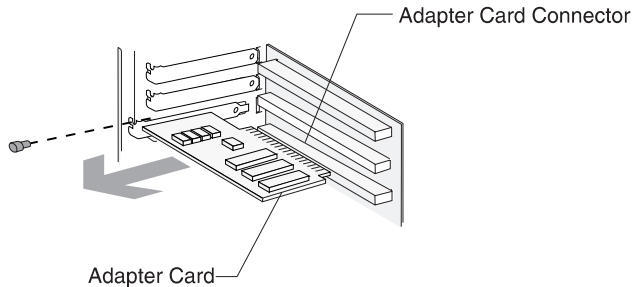
Use caution when you remove the audio cable. This cable typically has a green connector. Pull up on the connector - do not pull directly on the cable.

- 3 Remove the other end of the audio cable that is attached to the CD-ROM drive. On some minitower systems you may have to remove the four screws holding the CD-ROM drive and slide it out far enough to access the audio cable connector on the rear of the drive.

Do not attempt to disconnect the other end of the cable with the black connector. It is connected to the system board.

- 4 Remove the adapter card screw and set it aside. You will need it when you install a replacement sound card.
- 5 Carefully pull the adapter card straight out of the slot.

If you have a minitower system unit, turn it on its side so the system board faces you. To ensure that the system unit lays flat, make sure the base (bottom) of the system unit hangs over the edge of your work surface.



- 6 Store the combination sound and modem card in a safe place, away from sources of static electricity that may damage sensitive components on the card. You may need the card in the future if you want to restore the original factory installed software. For more information, see "System Recovery" on page vi.

---

## Notes for installing replacement sound and modem cards



### Note

*Please see the instructions that come with sound and modem replacement cards.*

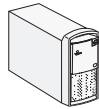


If you have a desktop system unit, make sure you have followed the instructions "To disconnect the system unit:" on page 5 and "If you have a desktop system unit:" on page 5.



### Note

*If you have a desktop system unit, make sure the audio cable runs beneath the bracket that holds the diskette drive.*



If you have a minitower system unit, make sure you have followed the instructions "To disconnect the system unit:" on page 5 and "If you have a minitower system unit:" on page 6.

### Notes for installing a replacement sound card:

- Locate an empty ISA card slot.
- Touch the static-protective package that contains your sound card to any unpainted metal surface in the computer.
- Remove the sound card from the package.
- Locate the open adapter card slot from which you removed the Mwave card.
- Align and insert the card into the adapter card connector and insert the screw.
- Locate the audio cable included with your sound card.
- Remove the old audio cable.
- For information on connecting the speaker, headset, and microphone to the modem and sound cards, refer to the documentation that comes with your sound card.



### Note

*If your computer came with the wake on ring feature, it will not be available with this modem.*

### Notes for installing a replacement modem:

- Locate an empty ISA adapter card slot. Remove the screw and set it aside for use later. Remove the adapter card slot cover.

- Touch the static-protective package containing the modem card to any unpainted surface in the computer.
- Remove the modem card from the package.
- Align and insert the modem card into the adapter card connector and insert the screw.
- Replace the system unit cover and reconnect the cables.

**Note:** After installing your new sound and modem cards, you should perform the "Emergency Recovery Utility" as shown on page 15 to save (backup) critical configuration and system files. These files are necessary if you ever recover your system using the Recovery CD.

---

## Changing software settings

The following information is provided to assist you in reconfiguring your system for non-Windows 95 programs and running MPEG programs originally included with your system. These steps do not have to be performed at this time for you to begin using your new sound card and modem cards. They will need to be performed before some non-Windows 95 programs and original MPEG functions will operate correctly.

### To change the modem COM port setting:

During the Windows 95 installation process, the system will automatically set the modem COM port. If a program you use requires the modem to be set to a specific com port, you may need to change the setting.

To change the com port setting, refer to your modem's documentation.

### To change software to run MPEG programs originally included with your computer:

Most of the MPEG software that came with your computer will run without additional setup. However, in some cases you may need to update other software settings for the MPEG software to run properly. To make these updates, find the instructions in this section that apply to the model you purchased and follow them.

**Important:** Before changing software to run MPEG programs, be sure you save your critical configuration and system files. See "Emergency Recovery Utility" on page 15.

- 1 From the Windows 95 Start button, click **Run**.
- 2 When the "Run" dialogue box appears, press the **Delete** key to remove the contents of the "Open" box.
- 3 Type:  
`sysedit`  
and then click **OK**.

The "System Configuration Editor" window will appear.

4 From the "Window" menu, click **C:\WINDOWS\WIN.INI**

5 From the "Search" menu, click **Find**.

6 In the "Find" box, type [mci extensions] (including the brackets), then click **Next**.

The "[mci extensions]" line will be highlighted. Press the down arrow key until you can see the entire [mci extensions] section.

a When you see "mpg=reelmagic", replace it with: `mpg=MPEGVideo`.

b When you see "dat=reelmagic", replace it with: `dat=MPEGVideo`.

7 From the "Search" menu, click **Find**.

8 In the "Find" box, type [ibmmpg32] (including the brackets), then click **Next**.

The "[ibmmpg32]" line will be highlighted. Press the down arrow key until you can see the entire [ibmmpg32] section.

Type a semicolon ";" as the first character on each line. The section should look like this:

```
[ibmmpg32]
;ProportionalScale=1
;Zoomby2=0
;GDI=No
```

9 From the "File" menu, click **Save**.

10 From the "Window" menu, click **C:\WINDOWS\SYSTEM.INI**

11 From the "Search" menu, click **Find**.

12 In the "Find" box, type [mci] (including the brackets), then click **Next**.

The "[mci]" line will be highlighted. Press the down arrow key until you can see the line "reelmagic=ibmmpg16.dll".

Type a semicolon ";" as the first character on the line. The line should look like this:

```
;reelmagic=ibmmpg16.dll
```

13 From the "File" menu, click **Save**.

14 Close the "System Configuration Editor" window.

15 From the Windows 95 Start button, click **Run**.

- 16 When the "Run" dialogue box appears, press the **Delete** key to remove the contents of the "Open" box.
- 17 Type:  
`regedit`  
and then click **OK**.  
  
The "Registry Editor" window will appear.
- 18 From the "Edit" menu, click **Find...**  
  
The "Find" window will appear.
- 19 In the "Find what:" box, type:  
`ibm16se1.dll`  
and then click **Find Next**.
- 20 If the search finds `ibm16se1.dll`, make sure the [HKEY\_LOCAL\_MACHINE\System\CurrentControlSet\control\SessionManager\Known16DLLs] directory is the current directory. Continue at step 22.
- 21 If the search does not find `ibm16se1.dll`, make [HKEY\_LOCAL\_MACHINE\System\CurrentControlSet\control\SessionManager\Known16DLLs] the current directory.
- 22 Press and hold the **Ctrl** key while you click any of the following files that appear in the directory:  
  
`ibm16sel.dll`  
`ibmcdi16.dll`  
`ibmcdi32.exe`  
`ibmmpg16.dll`  
`ibmmpg32.exe`
- 23 When all the files are highlighted, press the **Delete** key.
- 24 When the "Confirm Value Delete" dialogue box appears asking if you are sure you want to delete the values, click **Yes**.
- 25 From the "Registry" menu, click **Exit**.
- 26 Place the *Technical Update CD* into the CD-ROM drive.  
  
If autoplay is enabled, the "IBM Aptiva Technical Update CD" window will appear. Click **Close** and continue at step 26b.

If autoplay is not enabled or if you see the error message "This service CD does not support your Aptiva model...", follow these instructions:

- a Click **OK**.
- b Double-click the **My Computer** icon on the Windows 95 desktop.
- c Highlight the "Techupcd" icon by clicking it once.
- d Right-click **Techupcd**. A menu will appear. Click **Explore**.
- e From the "Exploring - Techupcd..." window, double-click the **le30** directory.

27 Double-click **Msie30-1**.

28 The "Microsoft Internet Explorer Setup" dialogue box will appear asking if you would like to select the optional Internet components to install. Click **Yes**.

29 Make sure "ActiveMovie" is selected. You can select other options if you wish. However, the only option required for this update is ActiveMovie. Click **OK**.

The computer will begin to copy files.

30 The Microsoft Internet Explorer Setup dialogue box will appear asking if you want to restart the computer. Click **Yes**.

The computer will automatically restart.

31 A Caution dialogue box appears with the following text:

Some of the file types usually associated with ActiveMovie are currently associated with other programs. Because of this, you may be unable to play certain types of multimedia files. Do you want to fix this (by restoring the file types to ActiveMovie?)

Click **Yes**.



---

# Emergency Recovery Utility

## Using ERU

To create a bootable system diskette:

- 1 Open a DOS window by clicking on the **Start** button. From the "Start Menu", select **Programs**, then **MS-DOS Prompt**.
- 2 Insert an empty diskette into your floppy drive and at the DOS prompt type:

```
format a: /S
```

Windows will format the disk then copy the files required to make the disk bootable. Pre-formatted diskettes must be prepared in this manner in order to be used as a bootable system diskette.

### To create the Emergency Recovery Disk:

- 1 Insert the *Microsoft Windows Companion CD* in your CD-ROM drive. Execute **d:\OTHER\MISC\ERU\ERU.EXE**, where **d** is the drive letter of your CD-ROM drive.

The "Emergency Recovery Utility" window appears. Read the information in this window and click **Next**.

- 2 You have the choice of saving your critical configuration and system files to either a floppy disk or a folder on your hard drive. The "Emergency Recovery Utility" window allows you to select "Drive A" or "Other Directory". Choose the option to save to Drive A (floppy disk) by clicking in the circle next to **Drive A**, then click **Next**.
- 3 A window appears with instructions for inserting the bootable system diskette that you created into drive A. Follow these instructions and click **OK**.
- 4 You will see a dialogue box with a list of all the important configuration files that ERU saves by default. We recommend you use the default settings. Click **Next**.
- 5 A bar graph will show the ERU progress as it saves the files you selected. When finished you see a dialogue box indicating that the Emergency Recovery creation completed successfully. Click **OK**.

- 6 Remove the diskette and store it in a convenient place. You will need to use this diskette to restore your saved files if you should ever recover your system using the Recovery CD. Simply reboot your computer with the diskette in the floppy drive after recovering your system. ERUs restore utility, Emergency Recovery Disk (ERD), will start automatically and guide you through the restoration process.

### **Saving to a hard drive**

To make a complete ERU backup on your hard drive:

- 1 Follow the instructions above until ERU asks you to select a drive. Click on the circle next to **Other Directory** and then click **Next**. ERU will suggest C:\ERD. Type the drive letter of choice and click **Next** again.
- 2 Click **Next** to save all the critical configuration and system files.  
Remember, you will need to restore your saved files if you should recover your system using the Recovery CD.



---

## Index

### C

- Changing
  - software settings 11
- changing
  - COM port setting 11
  - software to run MPEG programs 11

### D

- danger 11
- desktop system unit 5

### E

- Emergency Recovery Utility vi

### G

- getting started 1

### I

- installing sound and modem cards 9

### M

- minitower system unit 6
- model number, location 2
- modem
  - card installation 9
  - COM port setting 11
- MPEG programs 11
- Mwave card
  - illustration 7
  - removal 5
- Mwave drivers, removal 2

### N

- notices v

### P

- preparing to remove Mwave drivers and card 2

### R

- recovering your system vi

- removing Mwave card 5
- removing Mwave drivers 3
- replacement process summary 1
- Required items 1

### S

- software to run MPEG 11
- system recovery vi

### T

- technical support ix
- trademarks v

### U

- unsupported functions and applications vii
- using the Emergency Recovery Utility vi

### W

- warranty ix





Part Number: 10L6760

Printed in USA

4/98

P1 L676

